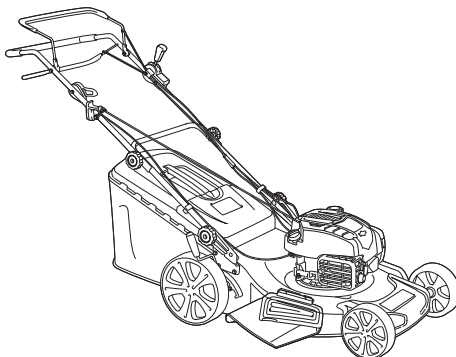
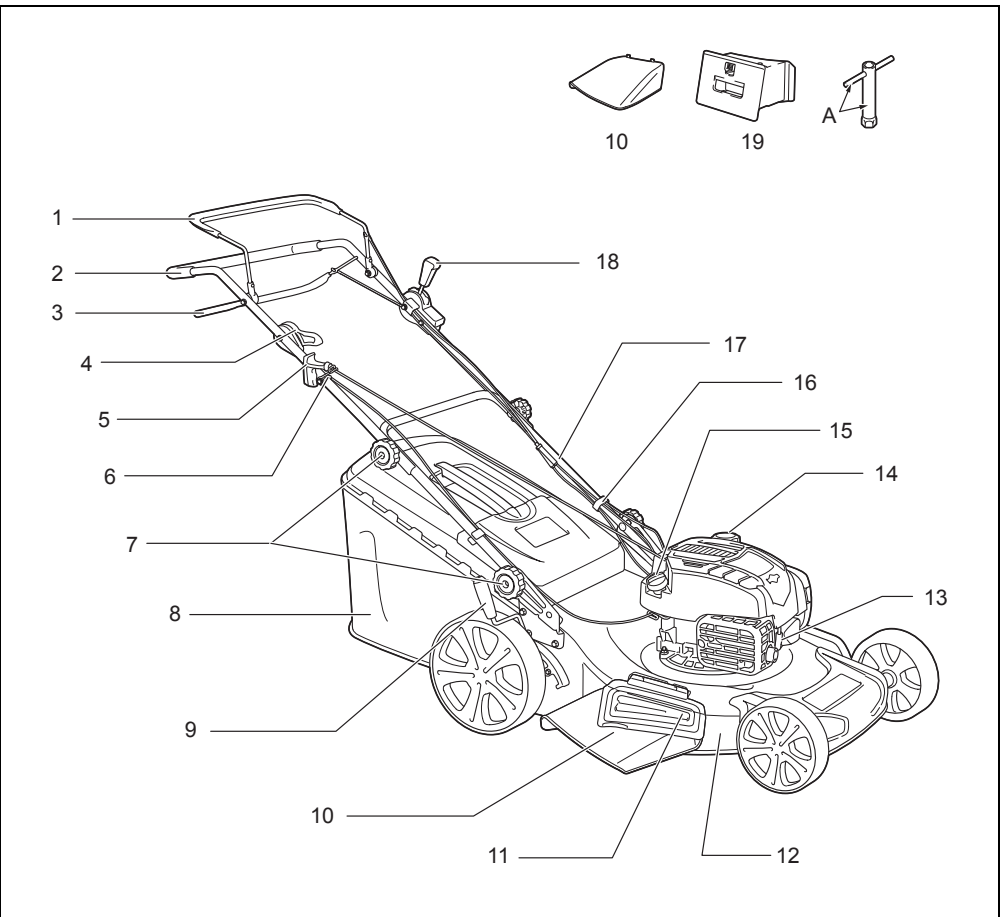




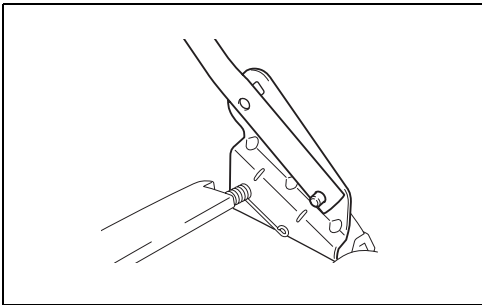
| | | |
|------------|---|--|
| GB | Petrol Lawn Mower | Original instruction manual |
| F | Tondeuse Thermique | Manuel d'instructions d'origine |
| D | Benzin-Rasenmäher | Original-Bedienungsanleitung |
| I | Rasaerba con motore a benzina | Manuale di istruzioni originale |
| NL | Grasmaaier met benzinemotor | Oorspronkelijke gebruiksaanwijzing |
| E | Cortadora de Césped a Gasolina | Manual de instrucciones original |
| P | Cortador de Grama a Gasolina | Manual de instruções original |
| DK | Benzinplæneklipper | Original brugsanvisning |
| GR | Βενζινοκίνητο Χλοοκοπτικό | Πρωτότυπο εγχειρίδιο οδηγιών |
| TR | Benzinli Çim Biçme Makinesi | Orijinal kullanım kılavuzu |
| S | Bensindriven gräsklippare | Originalbruksanvisning |
| N | Bensindrevet gressklipper | Original bruksanvisning |
| FIN | Bensiinikäyttöinen ruohonleikkuri | Alkuperäinen käyttöohje |
| LV | Benzīna zāles pļaujmašīna | Originālā lietošanas rokasgrāmata |
| LT | Benzininė žoliapjovė | Originali naudojimo instrukcija |
| EE | Bensiinimootoriga muruniiduk | Originaalne kasutusjuhend |
| PL | Spalinowa kosiarka do trawy | Oryginalna instrukcja obsługi |
| HU | Benzinmotoros fűnyíró | Eredeti használati útmutató |
| SK | Benzinová kosačka | Pôvodný návod na obsluhu |
| CZ | Benzinová sekačka na trávu | Originální návod k obsluze |
| RO | Mașină de tuns iarba pe bază de benzină | Manual de instrucțiuni original |
| RUS | Бензогазонокосилка | Оригинальное руководство по эксплуатации |
| UA | Бензинова газонокосарка | Оригинальні інструкції з експлуатації |

PLM5600N2

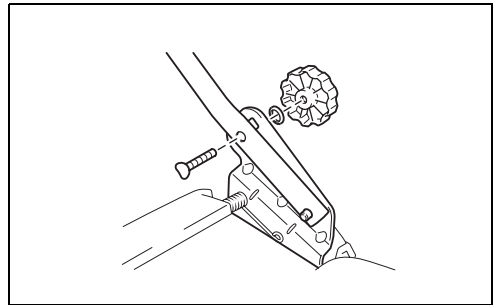




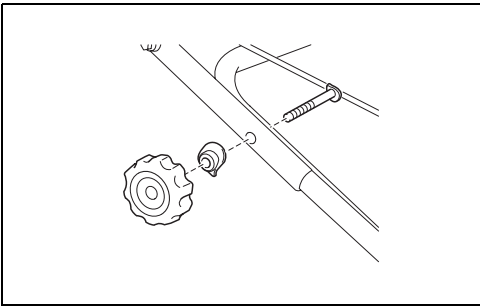
1



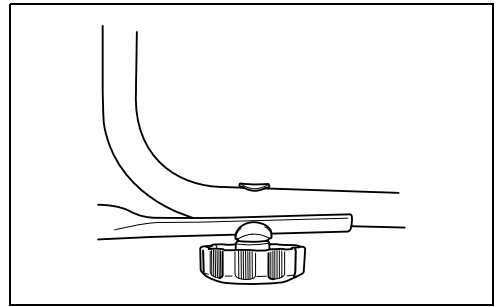
2



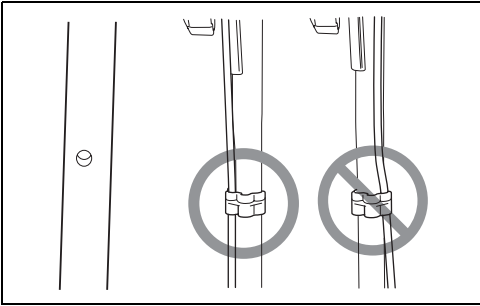
3



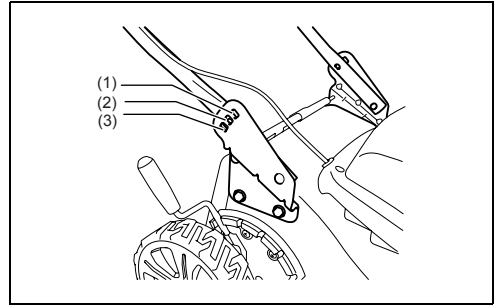
4



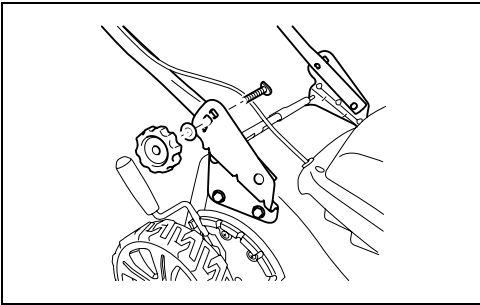
5



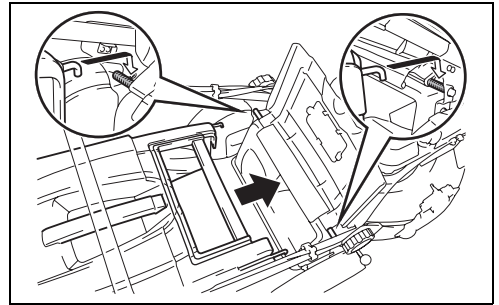
6



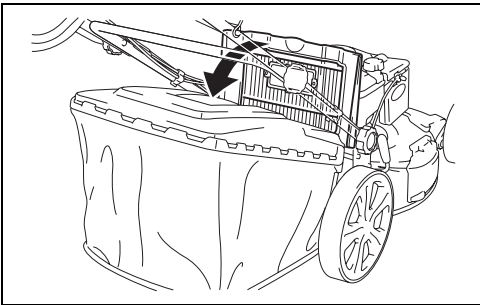
7



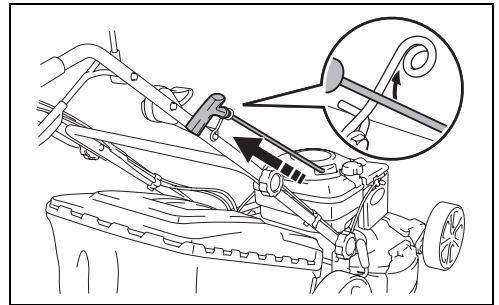
8



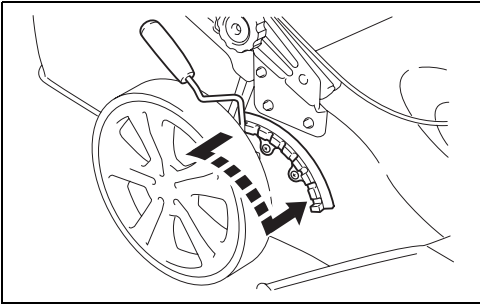
9



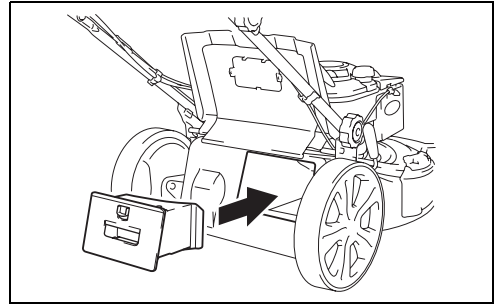
10



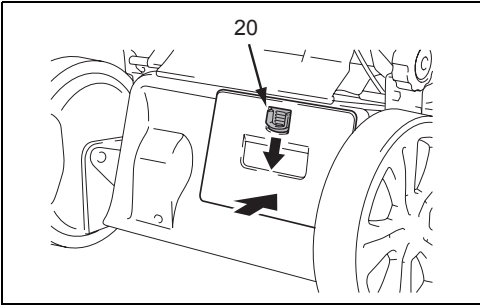
11



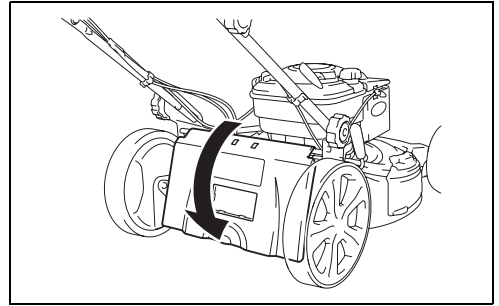
12



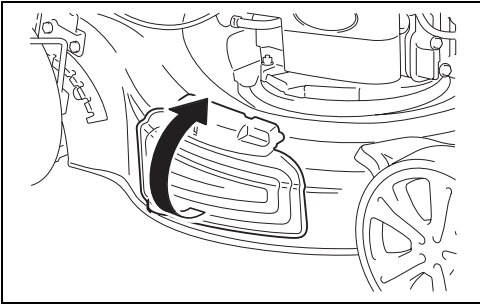
13



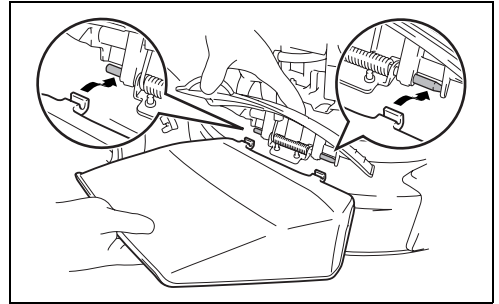
14



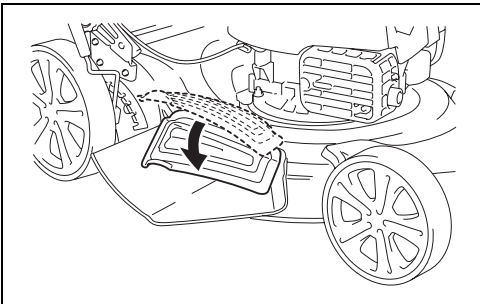
15



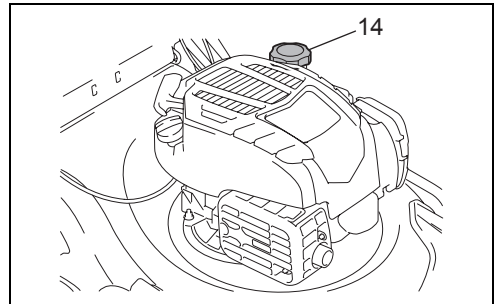
16



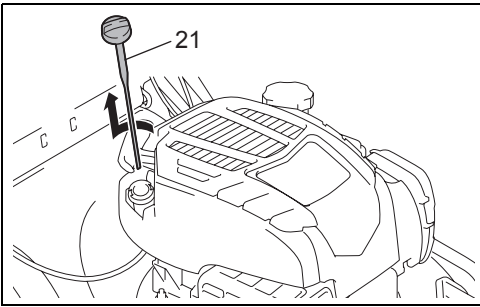
17



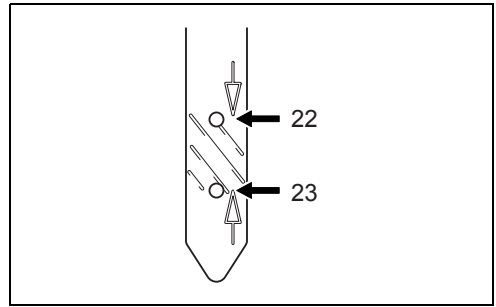
18



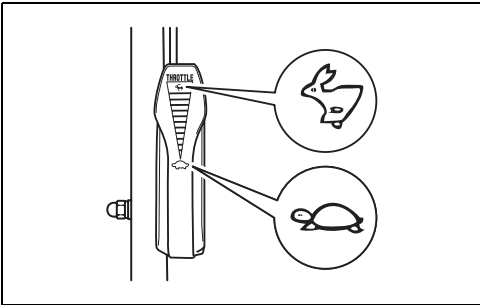
19



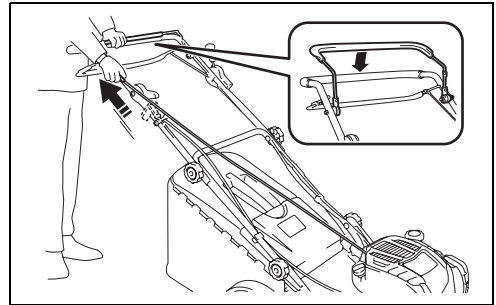
20



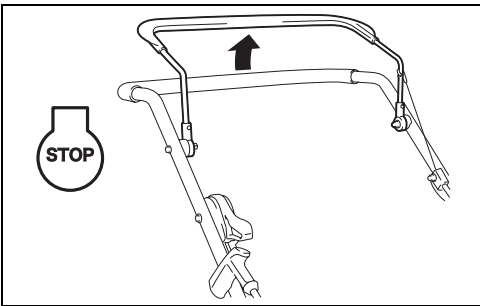
21



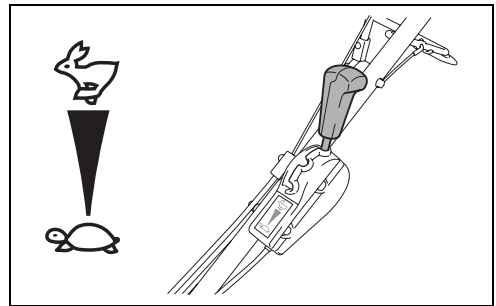
22



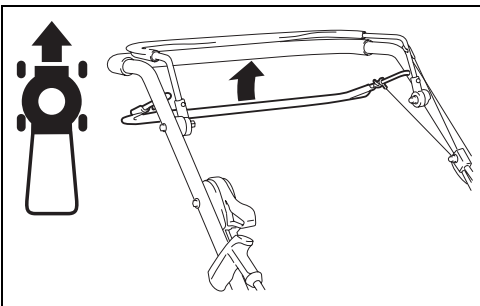
23



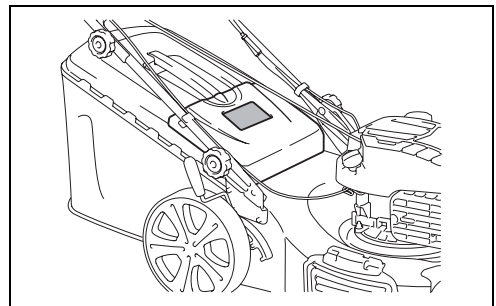
24



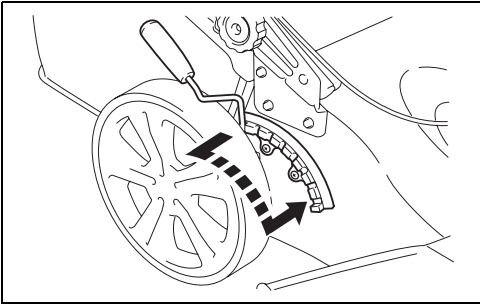
25



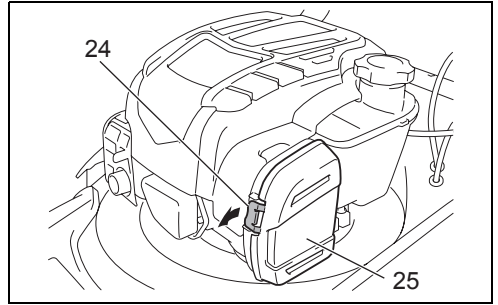
26



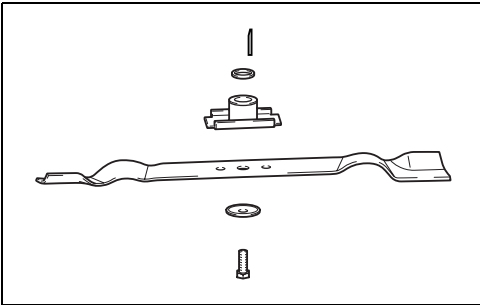
27



28



29



30

CONTENTS

| | |
|----------------------|-----|
| ENGLISH | 8 |
| FRANÇAIS | 17 |
| DEUTSCH | 27 |
| ITALIANO | 37 |
| NEDERLANDS | 47 |
| ESPAÑOL | 57 |
| PORTUGUÊS | 67 |
| DANSK | 77 |
| ΕΛΛΗΝΙΚΑ | 86 |
| TÜRKÇE | 96 |
| SVENSKA | 105 |
| NORSK | 114 |
| SUOMI | 123 |
| LATVIEŠU | 132 |
| LIETUVIŲ KALBA | 141 |
| EESTI | 150 |
| POLSKI | 159 |
| MAGYAR | 169 |
| SLOVENČINA | 178 |
| ČESKY | 187 |
| ROMÂNĂ | 196 |
| РУССКИЙ | 205 |
| УКРАЇНСЬКА | 215 |

Explanation of general view

- | | | |
|------------------------------|----------------------------|----------------------|
| 1. Brake control handle | 10. Side discharge channel | 19. Mulching wedge |
| 2. Upper handle | 11. Sideward flap | 20. Button |
| 3. Self-drive control handle | 12. Deck | 21. Oil cap/dipstick |
| 4. Throttle choke lever | 13. Spark plug | 22. Max: upper limit |
| 5. Starter handle | 14. Fuel cap | 23. Min: lower limit |
| 6. Rope guide | 15. Oil cap | 24. Tab |
| 7. Locking knob | 16. Cable clamp | 25. Filter cover |
| 8. Grass catcher | 17. Lower handle | |
| 9. Height adjustment lever | 18. Speed adjustment lever | |



WARNING:

For your own safety please read this manual before attempting to operate your new unit. Failure to follow instructions can result in serious personal injury. Spend a few moments to familiarize yourself with your mower before each use. Keep this manual in a safe place, so that the information is available at all times. If you give the equipment to any other person, hand over these operating instructions and safety regulations as well.

Intended use

The equipment may only be used for the tasks it is designed to handle. Any other use is deemed to be a case of misuse. The user/operator and not the manufacturer will be liable for any damage or injuries of any kind caused as a result of this.

The petrol lawn mower is intended for private use i.e. for use in home and gardening environments.

Private use of the lawn mower refers an annual operating time generally not exceeding that of 50hours, during which time the machine is primarily used to maintain small-scale, residential lawns and home/hobby gardens. Public facilities, sporting halls, and agricultural/forestry applications are excluded.

Please note that our equipment has not been designed for use in commercial, trade or industrial applications. Our warranty will be voided if the machine is used in commercial, trade or industrial businesses or for equivalent purposes.

The operating instructions as supplied by the manufacturer must be kept and referred to in order to ensure that the lawn mower is properly used and maintained. The instructions contain valuable information on operating, maintenance and servicing conditions.

Important! Due to the high risk of bodily injury to the user, the lawn mower may not be used to trim bushes, hedges or shrubs, to cut scaling vegetation, planted roofs, or balcony-grown grass, to clean (suck up) dirt and debris off walkways, or to chop up tree or hedge clippings.

Moreover, the lawn mower may not be used as a power cultivator to level out high areas such as molehills. For safety reasons, the lawn mower may not be used as a drive unit for other work tools or tool kits of any kind.

1. SYMBOLS MARKED ON THE PRODUCT (ON THE REAR COVER)



Read operator's manual.



Keep bystanders away.



Pay more attention to the operator's hands and feet to avoid injury.



Fuel is flammable, keep fire away. Do not add fuel with running machine.



Toxic fumes; don't operate inside house.



When mowing, please wear the glasses and ear plugs to defend the operator himself.



When repairing, please pick up the spark plug, then repair it according to the operational manual.



Caution: Engine hot.

2. GENERAL SAFETY RULES



WARNING: When using petrol tools, basic safety precautions, including the following, should always be followed to reduce the risk of serious personal injury and/or damage to the unit. Read all these instructions before operating this product and retain these instructions for future reference.



WARNING: This machine produces an electromagnetic field during operation. This field may under some circumstances interfere with active or passive medical implants. To reduce the risk of serious or fatal injury, we recommend persons with medical implants to consult their physician and the medical implant manufacturer before operating this machine.

Training

- Read the instructions carefully. Be familiar with the controls and the proper use of the equipment. Learn how to stop the engine quickly.
- Only use the lawn mower for the purpose for which it was designed, i.e. for cutting and collecting grass. Any other use can be hazardous, causing damage to the machine. Examples of improper use may include, but are not limited to:
 - transport of people, children or animals on the machine;
 - being transported by the machine;
 - using the machine to tow or push loads;
 - using the machine for leaf or debris collection;
 - using the machine to trim hedges, or for cutting vegetation other than grass;
 - use of the machine by more than one person;
 - using the blade on surfaces other than grass.
- Never allow children or people unfamiliar with these instructions to use the lawn mower. Local regulations can restrict the age of the operator.
- Never use the lawn mower:
 - when people, especially children, or pets are nearby;
 - if the operator has taken medicine or substances that can affect his ability to react and concentrate.
- Keep in mind that the operator or user is responsible for accidents or hazards occurring to other people or their property.
- The operators must receive proper training in the use, adjustment and operation of the machine, including prohibited operations.

Preparation

- While mowing, always wear substantial footwear and long trousers. Do not operate the equipment when barefoot or wearing open sandals.
- Thoroughly inspect the area where the equipment is to be used and remove all objects, such as stones, toys, sticks and wires, which can be thrown by the machine.
- **WARNING-** Petrol is highly flammable.
 - store fuel in containers specifically designed for this purpose;

- refuel outdoors only and do not smoke while refueling;
- add fuel before starting the engine. Never remove the cap of the fuel tank or add petrol while the engine is running or when the engine is hot;
- if petrol is spilled, do not attempt to start the engine but move the machine away from the area of spillage and avoid creating any source of ignition until petrol vapors have dissipated;
- replace all fuel tank and container caps securely.
- Replace faulty silencers.
- Before using, always visually inspect to see that the blades, blade bolts and cutter assembly are not worn or damaged. Replace worn or damaged blades and bolts in sets to preserve balance.
- Check regularly to ensure that all starting interlocks and operator presence controls are properly functioning.

Operation

- Do not operate the engine in a confined space where dangerous carbon monoxide fumes can collect.
- Do not use the machine while being tired, ill or under influence of alcohol or other drugs.
- **Warning!** Do not use the lawn mower when there is a risk for lighting.
- It is recommended to limit the duration of operation, in order to minimize the risks from noise and vibration.
- Be careful when using the lawn mower in slopes and near drop-offs, ditches or embankments.
- Mow only in daylight or in good artificial light.
- Avoid operating the equipment in wet grass, where feasible.
- Always be sure of your footing on slopes.
- Walk, never run.
- For wheeled rotary machines, mow across the face of slopes, never up and down.
- Exercise extreme caution when changing direction on slopes.
- Do not mow excessively on steep slopes.
- Use extreme caution when reversing or pulling the lawn mower towards you.
- Stop the blade(s) if the lawn mower has to be tilted for transportation when crossing surfaces other than grass, and when transporting the lawn mower to and from the area to be mowed.
- Never operate the lawn mower with defective guards, or without safety devices, for example deflectors and/or grass catchers, in place.
- **Caution:** The lawn mower shall not be operated without either the entire grass catcher or self-closing discharge opening guard in place.
- Do not change the engine governor settings or overspeed the engine.
- Do not alter or tamper with any sealed adjustment for the engine speed control.
- The lawn mower safety systems or features shall not be tampered with or disabled.
- Disengage all blades and drive clutches before starting the engine.
- Start the engine carefully according to instructions and with feet well away from the blade(s).
- Do not tilt the lawn mower when starting the engine.

- Do not start the engine when standing in front of the discharge chute.
- Do not put hands or feet near or under rotating parts. Keep clear of the discharge opening at all times.
- Never pick up or carry a lawn mower while the engine is running.
- Stop the engine and disconnect the spark plug wire, make sure that all moving parts have come to a complete stop and, where a key is fitted remove the key:
 - before clearing blockages or unclogging chute;
 - before checking, cleaning or working on the lawn mower;
 - after striking a foreign object. Inspect the lawn mower for damage and make repairs before restarting and operating the lawn mower;
 - if lawn mower starts to vibrate abnormally (check immediately).
- Stop the engine and disconnect the spark plug wire, make sure that all moving parts have come to a complete stop and, where a key is fitted remove the key:
 - whenever you leave the lawn mower;
 - before refueling.
- Reduce the throttle setting during engine shut down and, if the engine is provided with a shut-off valve, turn the fuel off at the conclusion of mowing.
- Only use the lawn mower for the purpose for which it is designed, for cutting and collecting grass. Any other use can be hazardous, causing damage to the machine.

Maintenance and storage

- Keep all nuts, bolts and screws tight to be sure the equipment are in safe working condition.
- Never store the equipment with petrol in the tank inside a building where fumes can reach an open flame or spark.
- Allow the engine to cool before storing in any enclosure; Clean and maintain the lawn mower before storage.
- To reduce the fire hazard, keep the engine, silencer, battery compartment and petrol storage area free of grass, leaves, or excessive grease.
- Check the grass catcher frequently for wear or deterioration.
- Replace worn or damaged parts for safety.
- If the fuel tank has to be drained, this should be done outdoors.
- Improper maintenance, use of non-conforming replacement components, or the removal or modification of safety components can damage the lawn mower and injure the operators seriously.
- Only use the recommended blades and spare parts by the manufacturer. The use of non-genuine parts can damage the machine and injure the operators. Keep the lawn mower in good working condition.
- If the blade stopping device doesn't work, please contact service center for help.

Transportation and handling

- Whenever the machine is to be handled, raised, transported or tilted you must:
 - wear strong working gloves;

- grasp the machine at the points that offer a safe grip, taking account of the weight and its distribution;
- use an appropriate number of people for the weight of the machine and the characteristics of the vehicle or the place where it has to be placed or collected.
- During transport, fasten the machine securely with ropes or chains.



WARNING: Do not touch rotating blade.



WARNING: Refuel in a well ventilated area with the engine stopped.

3. PARTS DESCRIPTION (Fig. 1)

Including

A: Spark plug wrench

4. TECHNICAL DATA

| Model | PLM5600N2 |
|------------------------|-------------------------------|
| Engine type | B&S 675EXi Series, ReadyStart |
| Self-propelled | Yes |
| Engine displacement | 163 cm ³ |
| Nominal Power | 2.6 kW |
| Blade width | 560 mm |
| Rated speed | 2,800/min |
| Fuel tank capacity | 1.0 L |
| Oil tank capacity | 0.47 L |
| Grass catcher capacity | 70 L |
| Net weight | 37.2 kg |
| Height adjustment | 25-70 mm, 8 adjustment |

| Model | PLM5600N2 |
|--|---|
| Guaranteed Sound Pressure level at operator's position (According to EN ISO 5395-1 Annex F & EN ISO 5395-2, EN ISO 4871) | 88.5 dB (A) (K=3 dB (A)) |
| Measured Sound Power level Guaranteed Sound Power level (According to 2000/14/EC) | 96.3 dB (A) K=1.86 dB (A) 98 dB (A) |
| Vibration (According to EN ISO 5395-1 Annex G & EN ISO 5395-2) | 7.90 m/s ² K=1.5 m/s ² |

5. ASSEMBLY

5-1 ASSEMBLING THE FOLDING HANDLE

1. Fix the lower handlebar onto the handle bracket with bolt, washer and locking knob. (**Fig. 2, Fig. 3**)
2. Connect the upper handle and the lower handle with locking knob. (**Fig. 4, Fig. 5**)

3. Position the cable around the hole of the middle of lower handle shaft. Clamp it by the cable clamp and make sure the cable is fixed around the outside of the handle. (Fig. 6) Otherwise the cable may be pinched by opening/closing the rear cover.

5-2 ADJUSTMENT FOR AN APPROPRIATE HANDLE HEIGHT

- 1) Screw out the locking knob which fixed the lower handle.
- 2) Move the lower handle up and down, adjust it to the proper height. There are 3 adjusting heights to be chosen on this type lawn mower; at height position 1, lower handle to the ground is the highest; at height position 3, lower handle to the ground is the lowest. (Fig. 7)
- 3) After adjusting the lower handle to the proper height, fix it by the locking knob. (Fig. 8)

5-3 MOUNTING AND DISMOUNTING THE GRASS CATCHER

1. To fit: Raise the rear cover and hitch the grass catcher on rear of mower. (Fig. 9, Fig. 10)
2. To remove: Grasp and lift rear cover, remove grass catcher.

5-4 STARTER HANDLE

Move the starter handle from the engine to the rope guide. (Fig. 11)

5-5 HEIGHT OF CUT

Apply outward pressure to disengage lever from rack. Move lever forward or back to adjust height. (Fig. 12 and see clause 7-9)

6. FUNCTION

These lawn mowers can be retrofitted from its normal function, based on the application purpose:
From lawn mower with rear collection to:

1. Mulching mower or as
2. Side-discharge mower.

What is mulching?

When mulching, the grass is cut in one working step, then finely chopped and returned to the grass strip as natural fertilizer.

Hints for mulch-mowing:

- Regular cut-back by max. 2 cm from 6 cm to 4 cm grass height.
- Use a sharp cutting knife.
- Do not mow wet grass.
- Set max. engine speed.
- Only move at working pace.
- Regularly clean mulching wedge, housing inner side and mowing blade.

Starting Operation

6-1 Retrofitting for mulching mower



WARNING: Only with a stopped engine and standstill cutter.

1. Raise the rear cover and remove the grass catcher.
2. Push the mulching wedge into the deck. Lock the mulching wedge with the button into the opening on the deck. (Fig. 13, Fig. 14)
3. Lower the rear cover again. (Fig. 15)
4. Lift sideward flap and remove side discharge channel.

6-2 Resetting for side-discharge mowing



Only when engine and cutting are at standstill!

1. Lift the rear cover and remove the grass catcher.
2. Push the mulching wedge into the opening on the deck.
3. Lift sideward flap for side discharge. (Fig. 16)
4. Mount the side discharge channel for side discharge on the support pin of the sideward flap. (Fig. 17)
5. Lower the sideward flap- the flap lies on the side discharge channel. (Fig. 18)

6-3 Mowing with the grass catcher



WARNING: Only with a stopped engine and standstill cutter.

For mowing with the grass catcher, remove the mulching wedge and side discharge channel for side discharge and mount the grass catcher.

1. Removing the mulching wedge.
 - Raise the rear cover and remove the mulching wedge.
2. Removing the discharge channel for side discharge.
 - Lift sideward flap and remove side discharge channel.
 - The sideward flap automatically closes the discharge opening on the housing by mean of spring force.
 - Regularly clean the sideward flap and discharge opening forms of grass rest and stuck dirt.
3. Mounting the grass catcher.
 - Raise the rear cover and hitch the grass catcher on rear of mower.

7. OPERATING INSTRUCTIONS

7-1 BEFORE STARTING

Service the engine with gasoline and oil as instructed in the separate engine manual packed in your mower. Read instructions carefully. (Fig. 19, Fig. 20, Fig. 21)



WARNING: Petrol is highly flammable.


Store fuel in containers specifically designed for this purpose.

Refuel outdoors only, before starting the engine and do not smoke while refueling or handling fuel.

Never remove the cap of the fuel tank or add petrol while the engine is running or when the engine is hot.

If petrol is spilled, do not attempt to start the engine but move the machine away from the area of spillage and avoid creating any source of ignition until petrol vapors have dissipated.


Replace all fuel tanks and container caps securely. Before tipping the lawn mower to maintain the blade or drain oil, remove fuel from tank.


 **WARNING:** Never fill fuel tank indoors, with engine running or until the engine has been allowed to cool for at least 15 minutes after running.


7-2 TO START ENGINE AND ENGAGE BLADE

1. The unit is equipped with a rubber boot over the end of the spark plug, make certain the metal loop on the end of the spark plug wire (inside the rubber boot) is fastened securely over the metal tip on the spark plug.
2. When starting cool or warm engine, turn throttle choke lever at anywhere between “☁” position to “☁☁” position. When operating, turn throttle choke lever to “☁☁” position. (Fig. 22)
3. Standing behind the unit, grasp the brake control handle and hold it against the upper handle as shown in Fig. 23.
4. Grasp the starter handle as shown in Fig. 23 and pull up rapidly. Return it slowly to the rope guide bolt after engine starts.

Release the brake control handle to stop the engine and blade.


 Start the engine carefully according to instructions and with feet well away from the blade.


 Do not tilt the lawn mower when starting the engine. Start the mower on a level surface, free of high grass or obstacles.


 Keep hands and feet away from the rotating parts. Do not start the engine when standing in front of the discharge opening.

7-3 OPERATION PROCEDURES


During operation, tightly hold the brake handle with both hands.

 **Note:** During operation, when the brake handle is released, the engine will stop and thus stopping the lawn mower from operating.

 **Warning:** In order to avoid any unintentional start-ups of the lawn mower, it comes equipped with an engine brake which must be pulled back before the engine can be started. When the engine control lever is released it must return to its initial position, at which point the engine automatically switches off.

 **Note:** Engine brake (brake handle): Use the lever to stop the engine. When you release the lever the engine and the blade stop automatically. To mow, hold the lever in the working position. Before you start to mow, check the start/stop lever several times to be sure that it is working properly. Ensure that the tension cable can be smoothly operated (i.e. is not catching or kinking in any way).

7-4 TO STOP ENGINE

 **CAUTION:** The blade continues to rotate for a few seconds after the engine is shut off.


1. Release the brake control handle to stop the engine and blade. (Fig. 24)
2. Disconnect and ground the spark plug wire as instructed in the separate engine manual to prevent accidental starting while equipment is unattended.

7-5 CONNECTION FOR AUTO MOVE

The mower is equipped with a speed adjusting system which can adjust 3 speeds from 3.0 km/h to 4.5 km/h. Position “☁”: the slowest position; Position “☁☁☁”: the fastest position. (Fig. 25)

The step as below:

1. Release the self-drive control handle until the lawn mower does not go forward.
2. Adjust the appropriate speed which you want.
3. Grasp the self-drive control handle to go on mowing. (Fig. 26)

 **CAUTION:** Your mower is designed to cut normal residential grass of a height no more than 250 mm. Do not attempt to mow through unusually tall dry or wet grass (e.g., pasture) or piles of dry leaves. Debris may build up on the mower deck or contact the engine exhaust presenting a potential fire hazard.

7-6 FOR THE BEST RESULTS WHEN MOWING

Clear lawn of debris. Be sure that the lawn is clear of stones, sticks, wire or other foreign objects which could be accidentally thrown out by the mower in any direction and cause serious personal injury to the operator and others as well as damage to property and surrounding objects. Do not cut wet grass. For effective mowing do not cut wet grass because it tends to stick to the underside of the deck preventing proper mowing of the grass clippings. Cut no more than 1/3 the length of the grass. The recommended cut for mowing is 1/3 the length of the grass. Ground speed will need to be adjusted so the clippings can be dispersed evenly into the lawn. For especially heavy cutting in thick grass it may be necessary to use one of the slowest speeds in order to get a clean well mowed cut. When mowing long grass you may have to cut the lawn in two passes, lowering the blade another 1/3 of the length for the second cut and perhaps cutting in a different pattern than was used the first time. Overlapping the cut a little on each pass will also help to clean up any stray clippings left on the lawn. The mower should always be operated at full throttle to get the best cut and allow it to do the most effective job of mowing. Clean underside of deck. Be certain to clean the underside of the cutting deck after each use to avoid a build-up of grass, which would prevent proper mulching. Mowing leaves. The mowing of leaves can also be beneficial to your lawn. When mowing leaves make sure they are dry and are not laying too thick on the lawn. Do not wait for all the leaves to be off the trees before you mow.

9. LUBRICATION INSTRUCTIONS



WARNING: If you strike a foreign object, stop the engine. Remove wire from spark plug, thoroughly inspect the mower for any damage and repair the damage before restarting and operating the mower. Extensive vibration of the mower during operation is an indication of damage. The unit should be promptly inspected and repaired.

7-7 GRASS CATCHER

There is a transparent window on the rear cover which you can see the grass condition in the grass catcher. If the grass catcher is full of grass, you will need to empty and clean the grass catcher, make sure it is clean and ensure its meshwork is ventilated. (Fig. 27)

7-8 DECK

The underside of the mower deck should be cleaned after each use to prevent a buildup of grass clippings, leaves, dirt or other matter. If this debris is allowed to accumulate, it will invite rust and corrosion, and may prevent proper mulching. The deck may be cleaned by tilting the mower and scraping clean with a suitable tool (make certain the spark plug wire is disconnected).

7-9 HEIGHT ADJUSTMENT INSTRUCTIONS



CAUTION: Do not at any time make any adjustment to lawn mower without first stopping the engine and disconnecting the spark plug wire.



CAUTION: Before changing mowing height, stop mower and disconnect spark plug cable.

Your mower is equipped with a central height adjustment lever offering 8 height positions.

1. Stop mower and disconnect spark plug cable before changing mower cutting height.
2. The central height adjustment lever offers you 8 different height positions.

To change the height of cut, squeeze adjustment lever toward the wheel, moving up or down to selected height. All wheels will be in the same height of cut. (Fig. 28)

8. MAINTENANCE INSTRUCTIONS

SPARK PLUG

Use only original replacement spark plug. For best results, replace the spark plug every 100 hours of use.

BRAKE PADS

Check and/or replace the engine brake pads in service agent regularly, only original parts can be used as replacement.



CAUTION: DISCONNECT SPARK PLUG BEFORE SERVICING.

1. WHEELS-Lubricate the ball bearings in each wheel at least once a season with a light oil.
2. ENGINE-Follow engine manual for lubrication instructions.

10. CLEANING



CAUTION: Do not hose engine. Water can damage engine or contaminate the fuel system.

1. Wipe deck with dry cloth.
2. Hose under deck by tilting the mower so that the spark plug is up.

10-1 ENGINE AIR CLEANER



CAUTION: Do not allow dirt or dust to clog the air filter foam element. The engine air cleaner element must be serviced (cleaned) after 25 hours normal mowing. The foam element must be serviced regularly if the mower is used in dry dusty conditions.

TO CLEAN AIR FILTER

1. Lift the tab on the filter cover. (Fig. 29)
2. Remove the filter cover.
3. Wash filter element in soap water. **DO NOT USE GASOLINE!**
4. Air dry filter element.
5. Place a few drops of SAE30 oil on the foam filter and squeeze tightly to remove any excess oil.
6. Reinstall filter.
7. Close the filter cover.

NOTE: Replace filter if frayed, torn, damaged or unable to be cleaned.

10-2 CUTTING BLADE



CAUTION: Be sure to disconnect and ground the spark plug wire before working on the cutting blade to prevent accidental engine starting. Protect hands by using heavy gloves or a rag to grasp the cutting blades. Tip mower as specified in separate engine manual. Remove the hex bolt and washer which hold the blade and blade adapter to the engine crankshaft. Remove the blade and adapter from the crankshaft.



WARNING: Periodically inspect the blade adapter for cracks, especially if you strike a foreign object. Replace when necessary.

For best results your blade should be sharp. The blade may be resharpened by removing it and either grinding or filing the cutting edge keeping as close to the original bevel as possible. It is extremely important that each cutting edge receives an equal amount of grinding to prevent an unbalanced blade. Improper blade balance will result in excessive vibration causing eventual damage to the engine and mower. Be sure to carefully balance blade after sharpening. The blade can be tested for balance by balancing it on a round shaft screwdriver. Remove metal from the heavy side until it balances evenly. **(Fig. 30)** Before reassembling the blade and the blade adapter to the unit, lubricate the engine crankshaft and the inner surface of the blade adapter with light oil. Install the blade adapter on the crankshaft. Refer to **Fig. 30**. Place the blade with the part number facing away from the adapter. Align the washer over the blade and insert the hex bolt. Tighten the hex bolt to the torque listed below.

10-3 BLADE MOUNTING TORQUE

Center bolt 40 Nm - 50 Nm, to insure safe operation of your unit. ALL nuts and bolts must be checked periodically for correct tightness.

After prolonged use, especially in sandy soil conditions, the blade will become worn and lose some of the original shape. Cutting efficiency will be reduced and the blade should be replaced. Replace with an approved factory replacement blade only. Possible damage resulting from blade unbalance condition is not the responsibility of the manufacturer.

When you change the blade, must use the original type marked on the blade (MAKITA 263001171) (for order the blade, pls. contact your local dealer or call our company, see cover page).

10-4 ENGINE

Refer to the separate engine manual for engine maintenance instructions.

Maintain engine oil as instructed in the separate engine manual packed with your unit. Read and follow instructions carefully.

Service air cleaner as per separate engine manual under normal conditions.

Clean every few hours under extremely dusty conditions. Poor engine performance and flooding usually indicates that the air cleaner should be serviced.

To service the air cleaner, refer to the separate engine manual packed with your unit.

The spark plug should be cleaned and the gap reset once a season. Spark plug replacement is recommended at the start of each mowing season; check engine manual for correct plug type and gap specifications.

Clean the engine regularly with a cloth or brush. Keep the cooling system (blower housing area) clean to permit proper air circulation which is essential to engine performance and life. Be certain to remove all grass, dirt and combustible debris from muffler area.

11. STORAGE INSTRUCTIONS (OFF SEASON)

The following steps should be taken to prepare lawn mower for storage.

1. Empty the tank after the last mowing of the season.
 - a) Empty the petrol tank with a suction pump.



CAUTION: Do not drain the petrol in closed rooms, in close proximity of open fire, etc. Do not smoke! Petrol fumes can cause explosion or fire.

- b) Start the engine and let it run until it has used up all remaining petrol and stalls.
 - c) Remove the spark plug. Use an oilcan to fill approx. 20 ml oil into the combustion chamber. Operate the starter to evenly distribute the oil in the combustion chamber. Replace the spark plug.
2. Clean and grease the lawn mower carefully as described above under "LUBRICATION INSTRUCTIONS".
3. Slightly grease the cutter to avoid corrosion.
4. Store the lawn mower in a dry, clean and frost-protected place, out of reach of unauthorized persons.



CAUTION: The engine must have completely cooled down before storing the lawn mower.



NOTE:

- When storing any type of power equipment in an unventilated or material storage shed.
- Care should be taken to rust-proof the equipment. Using a light oil or silicone, coat the equipment, especially cables and all moving parts.
- Be careful not to bend or kink cables.
- If the starter rope becomes disconnected from rope guide on handle, disconnect and ground the spark plug wire, depress the blade control handle and pull the starter rope out from engine slowly. Slip the starter rope into the rope guide bolt on handle.

Transport

Turn the engine off and allow the engine to cool down.

Then disconnect the spark plug wire and empty the fuel tank according to the instructions in the engine manual. Ensure not to bend or damage the cutter when pushing the lawn mower over obstacles.

12. TROUBLESHOOTING

| PROBLEM | PROBABLE CAUSE | CORRECTIVE ACTION |
|---|---|---|
| Engine does not start. | Throttle choke not in the correct position for the prevailing conditions. | Move throttle choke to correct position. |
| | Fuel tank is empty. | Fill tank with fuel: refer to ENGINE OWNERS MANUAL. |
| | Air cleaner element is dirty. | Clean air cleaner element: refer to ENGINE OWNERS MANUAL. |
| | Spark plug loose. | Tighten spark plug to 25-30 Nm. |
| | Spark plug wire loose or disconnected from plug. | Install spark plug wire on spark plug. |
| | Spark plug gap is incorrect. | Set gap between electrodes at 0.7 to 0.8 mm. |
| | Spark plug is defective. | Install new, correctly gapped plug: refer to ENGINE OWNERS MANUAL. |
| | Carburetor is flooded with fuel. | Remove air cleaner element and pull starter rope continuously until carburetor clears itself and install air cleaner element. |
| Engine difficult to start or loses power. | Faulty ignition module. | Contact the service agent. |
| | Dirt, water, or stale fuel tank. | Drain fuel and clean tank. Fill tank with clean, fresh fuel. |
| | Vent hole in fuel tank cap is plugged. | Clean or replace fuel tank cap. |
| Engine operates erratically. | Air cleaner element is dirty. | Clean air cleaner element. |
| | Spark plug is defective. | Install new, correctly gapped plug: refer to ENGINE OWNERS MANUAL. |
| | Spark plug gap is incorrect. | Set gap between electrodes at 0.7 to 0.8 mm. |
| Engine idles poorly. | Air cleaner element is dirty. | Clean air cleaner element: refer to ENGINE OWNERS MANUAL. |
| | Air slots in engine shroud are blocked. | Remove debris from slots. |
| | Cooling fins and air passages under engine blower housing are blocked. | Remove debris from cooling fins and air passages. |
| Engine skips at high speed. | Gap between electrodes of spark plug is too close. | Set gap between electrodes at 0.7 to 0.8 mm. |
| Engine overheats. | Cooling air flow is restricted. | Remove any debris from slots in shroud, blower housing, air passages. |
| | Incorrect spark plug. | Install original spark plug and cooling fins on engine. |
| Mower vibrates abnormally. | Cutting assembly is loose. | Tighten blade. |
| | Cutting assembly is unbalanced. | Balance blade. |

13. ENVIRONMENT

Should your machine need replacement after extended use, do not put it in the domestic waste but dispose of it in an environmentally safe way.

14. EC-DECLARATION OF CONFORMITY

For European countries only

The EC declaration of conformity is included as Annex A to this instruction manual.

Descriptif

- | | | |
|------------------------------------|----------------------------------|-----------------------------------|
| 1. Guidon de contrôle de frein | 10. Canal d'éjection latéral | 19. Embout de hachage |
| 2. Guidon supérieur | 11. Volet latéral | 20. Bouton |
| 3. Guidon d'autopropulsion | 12. Plateau | 21. Bouchon d'huile/jauge graduée |
| 4. Levier de l'étrangleur | 13. Bougie d'allumage | 22. Max : limite supérieure |
| 5. Guidon de démarrage | 14. Capuchon du carburant | 23. Min : limite inférieure |
| 6. Guide câble | 15. Bouchon d'huile | 24. Languette |
| 7. Bouton de verrouillage | 16. Clip de maintien | 25. Couvercle du filtre |
| 8. Sac de ramassage d'herbe | 17. Guidon inférieur | |
| 9. Levier de réglage de la hauteur | 18. Levier de réglage de vitesse | |

**AVERTISSEMENT :**

Pour votre sécurité, veuillez lire ce manuel avant de faire fonctionner votre nouvelle machine. Le non-respect des instructions peut provoquer de graves blessures corporelles. Prenez le temps de vous familiariser avec la tondeuse avant chaque utilisation. Conservez ce manuel en lieu sûr pour que les informations soient constamment à votre disposition. Si vous donnez l'appareil à quelqu'un, transmettez également ce mode d'emploi ainsi que les consignes de sécurité.

Utilisation prévue

Cet appareil ne saurait être utilisé que pour les tâches pour lesquelles il a été conçu. Toute autre utilisation sera considérée comme une mauvaise utilisation. L'utilisateur/opérateur (non pas le fabricant) sera tenu responsable de tout dommage matériel ou corporel de toute sorte en résultant.

La tondeuse thermique est conçue pour un usage privé, à savoir dans un environnement domestique et pour le jardinage.

Par usage privé de la tondeuse, on entend une durée de fonctionnement annuelle ne dépassant pas généralement 50 heures pendant lesquelles la machine est principalement utilisée pour entretenir de petits jardins, des pelouses résidentielles et des jardins particuliers ou familiaux. Les installations publiques, les terrains de sport et les applications agricoles ou forestières sont exclus. Veuillez noter que notre appareil n'a pas été conçu pour des applications commerciales, professionnelles ou industrielles. Notre garantie sera nulle et non avenue si la machine est utilisée dans des activités commerciales, professionnelles ou industrielles, ou à des fins équivalentes.

Le mode d'emploi fourni par le fabricant doit être conservé et consulté afin de garantir que la tondeuse sera correctement utilisée et entretenue. Les instructions renferment des informations précieuses sur les conditions de fonctionnement, d'entretien et de dépannage.

Important ! En raison du risque élevé de blessures corporelles pour l'utilisateur, la tondeuse ne saurait être utilisée pour couper des buissons, des haies ou des arbustes, pour couper des plantes grimpantes, des toits végétalisés ou de l'herbe poussant sur balcon, pour nettoyer (aspirer) la poussière et les débris des trottoirs ou pour couper des arbres ou les résidus de haie. En outre, la tondeuse ne saurait être utilisée comme motoculteur pour aplanir des zones élevées comme les taupinières.

Par mesure de sécurité, la tondeuse ne saurait être utilisée comme unité d'entraînement pour d'autres outils de travail ou kits d'outil de toute sorte.

1. SYMBOLES MARQUÉS SUR LE PRODUIT (sur le couvercle arrière)



Lisez le manuel d'instructions.



Ménagez un périmètre de sécurité.



Soyez attentifs aux mains et aux pieds de l'opérateur pour éviter toute blessure.



Le carburant est inflammable, tenir éloigné des flammes. N'ajoutez pas de carburant lors du fonctionnement de la machine.



Fumées toxiques, n'utilisez pas à l'intérieur.



Lorsque vous tondez, portez des lunettes et des bouchons d'oreilles pour votre sécurité.



Lors des réparations, retirez la bougie d'allumage, puis réparez-la conformément au manuel d'instructions.



Attention : moteur chaud.

2. CONSIGNES DE SÉCURITÉ GÉNÉRALES



AVERTISSEMENT : Lors de l'utilisation d'outils à essence, des précautions de sécurité de base, notamment celles qui suivent, doivent être respectées pour réduire le risque de blessures graves et/ou de dégâts matériels. Lisez toutes ces instructions avant d'utiliser le produit et conservez-les pour votre information future.



AVERTISSEMENT : Cet appareil produit un champ électromagnétique pendant son fonctionnement. Dans certains cas, ce champ peut perturber les implants médicaux actifs ou non. Pour réduire les risques de blessures graves ou mortelles, il est recommandé aux personnes porteuses d'implants médicaux de consulter leur médecin ainsi que le fabricant de l'implant médical avant d'utiliser cet appareil.

Formation

- Lisez les instructions attentivement. Familiarisez-vous avec les commandes et l'utilisation correcte de l'équipement.
Apprenez à arrêter le moteur rapidement.
- N'utilisez la tondeuse que pour son usage prévu, c'est-à-dire pour couper et ramasser l'herbe. Toute autre utilisation peut s'avérer dangereuse et endommager la machine. Parmi les exemples d'utilisation incorrecte, citons notamment :
 - le transport de personnes, d'enfants ou d'animaux sur la machine,
 - votre propre transport par la machine,
 - l'utilisation de la machine pour tirer ou pousser des charges,
 - l'utilisation de la machine pour ramasser des feuilles ou des débris,
 - l'utilisation de la machine pour tailler des haies ou pour couper de la végétation autre que de l'herbe,
 - l'utilisation de la machine par plusieurs personnes,
 - l'utilisation de la lame sur des surfaces autres que l'herbe.
- Ne laissez pas des enfants ou des personnes ne connaissant pas ces instructions utiliser la tondeuse à gazon. Les réglementations locales peuvent limiter l'âge de l'opérateur.
- N'utilisez jamais la tondeuse :
 - lorsque des personnes, en particulier des enfants, ou des animaux se trouvent à proximité,
 - si vous avez absorbé des médicaments ou des substances susceptibles d'affecter vos réactions et votre concentration.

- Gardez à l'esprit que l'opérateur ou l'utilisateur est responsable des accidents ou blessures arrivant à d'autres personnes ou à leurs biens.
- L'opérateur doit recevoir la formation adéquate en matière d'utilisation, de réglage et de fonctionnement de la machine, y compris les actions interdites.

Préparation

- Pendant la tonte, portez toujours des chaussures résistantes et des pantalons longs. N'utilisez pas le matériel lorsque vous êtes pieds nus ou en sandales.
- Inspectez avec soin la zone où l'appareil sera utilisé et retirez tous les objets, comme des pierres, des jouets, des bâtons ou des câbles, susceptibles d'être projetés par la machine.
- **AVERTISSEMENT** - L'essence est extrêmement inflammable :
 - stockez le carburant dans des conteneurs conçus spécialement à cet effet ;
 - procédez au ravitaillement à l'extérieur uniquement et ne fumez pas pendant cette opération ;
 - ajoutez le carburant avant de démarrer le moteur. Ne retirez jamais le capuchon du réservoir de carburant et n'ajoutez pas d'essence lorsque le moteur tourne ou qu'il est chaud ;
 - si de l'essence coule, n'essayez pas de démarrer le moteur mais éloignez l'appareil de la zone où l'essence a coulé et évitez de faire des étincelles jusqu'à dissipation des vapeurs d'essence ;
 - revissez fermement tous les capuchons du réservoir et du conteneur.
- Remplacez les pots d'échappement défectueux.
- Avant l'utilisation, procédez toujours à une vérification générale pour vous assurer que les lames, les boulons de lame et l'ensemble de coupe ne sont ni usés ni endommagés. Remplacez les lames et boulons endommagés ou usés par lots complets pour préserver le bon équilibrage.
- Vérifiez régulièrement pour vous assurer que tous les dispositifs de blocage du démarrage et les contrôleurs de présence de l'opérateur fonctionnent correctement.

Fonctionnement

- Ne faites pas tourner le moteur dans un lieu confiné, en raison de la possibilité de dangereuses émanations de monoxyde de carbone.
- N'utilisez pas la machine si vous êtes fatigué, malade ou sous l'emprise de l'alcool ou d'autres drogues ou médicaments.
- **Avertissement !** N'utilisez pas la tondeuse en cas d'orage.
- Il est recommandé de limiter la durée de fonctionnement afin de réduire les risques liés au bruit et aux vibrations.
- Prenez garde lorsque vous utilisez la tondeuse en pente et près d'une rupture de pente, d'un fossé ou d'un talus.
- Tondez uniquement à la lumière du jour ou dans une lumière artificielle de bonne qualité.
- Évitez de tondre de l'herbe mouillée, si possible.
- Assurez vos pas dans les pentes.
- Marchez, ne courez jamais.

- Pour les machines rotatives à roues, tondez les pentes dans le sens transversal, jamais en montant ou en descendant.
- Soyez particulièrement prudent lors des changements de direction sur les terrains en pente.
- Ne coupez pas l'herbe sur des pentes excessivement raides.
- Faites particulièrement attention lorsque la tondeuse doit être tirée vers vous.
- Arrêtez la/les lame(s) si la tondeuse thermique doit être inclinée pour le transport, lorsque vous traversez des zones sans herbe et lors des déplacements entre les surfaces à tondre.
- N'utilisez jamais la tondeuse si ses protecteurs sont endommagés, ou en l'absence de dispositifs de sécurité, comme le déflecteur ou le sac de ramassage.
- Attention : La tondeuse ne doit pas être utilisée si le collecteur d'herbe complet ou le protecteur de l'orifice de décharge à fermeture automatique n'est pas en place.
- Ne changez pas les réglages du gouverneur du moteur et ne forcez pas le moteur.
- Ne modifiez ni n'altérez les réglages scellés de commande de la vitesse du moteur.
- Les systèmes ou dispositifs de sécurité de la tondeuse ne doivent en aucun cas être modifiés ou désactivés.
- Désengagez les lames et les vitesses avant de démarrer le moteur.
- Faites attention lorsque vous démarrez le moteur, conformez-vous aux instructions et assurez-vous que vos pieds sont éloignés de la/des lame(s).
- Lorsque vous démarrez le moteur, n'inclinez pas la tondeuse.
- Ne démarrez pas le moteur lorsque vous êtes devant la goulotte d'éjection.
- Ne placez pas vos mains ou vos pieds à proximité ou sous des pièces qui tournent. Restez en permanence éloigné de l'ouverture d'éjection.
- Ne soulevez ni ne transportez jamais une tondeuse dont le moteur est en fonctionnement.
- Arrêtez le moteur et débranchez le câble de la bougie d'allumage, assurez-vous que les pièces mobiles sont complètement arrêtées et, si une clé est utilisée pour le moteur, retirez-la :
 - avant toute opération de retrait d'obstruction ou de débouchage de la goulotte ;
 - avant toute opération de vérification, de nettoyage ou de réparation de la tondeuse ;
 - après avoir heurté un corps étranger. Inspectez la tondeuse pour vérifier si elle est endommagée. Effectuez les réparations nécessaires avant toute nouvelle utilisation de la tondeuse ;
 - si la tondeuse commence à vibrer de manière anormale (vérification immédiate).
- Arrêtez le moteur et débranchez le câble de la bougie d'allumage, assurez-vous que les pièces mobiles sont complètement arrêtées et, si une clé est utilisée pour le moteur, retirez-la :
 - lorsque vous vous éloignez de la tondeuse ;
 - avant tout ravitaillement en carburant.
- Réduisez la vitesse lors de l'arrêt du moteur et, si le moteur est équipé d'une soupape d'arrêt, arrêtez l'alimentation en carburant à la fin de la tonte.

- N'utilisez la tondeuse que pour son usage prévu, c'est-à-dire pour couper l'herbe et la ramasser. Toute autre utilisation peut s'avérer dangereuse et endommager la machine.

Maintenance et stockage

- Maintenez tous les écrous, boulons et vis serrés afin d'assurer des conditions d'utilisation sûres.
- Ne rangez jamais un appareil avec de l'essence dans le réservoir dans un bâtiment où des fumées peuvent s'enflammer ou provoquer des étincelles.
- Laissez le moteur refroidir avant de ranger la machine ; nettoyez et procédez à l'entretien de la tondeuse avant de la ranger.
- Pour réduire le danger de combustion, débarrassez le moteur, le pot d'échappement, le compartiment de la batterie et la zone de stockage d'essence de toute impureté telle qu'herbe, feuille ou graisse.
- Vérifiez fréquemment que le sac de ramassage ne présente aucune trace d'usure ou de détérioration.
- Remplacez les pièces usées ou endommagées pour des raisons de sécurité.
- Le cas échéant, vidangez le réservoir de carburant en extérieur.
- Un entretien inadéquat, l'utilisation de pièces de rechange non conformes ou le retrait ou la modification des dispositifs de sécurité peut endommager la tondeuse et blesser gravement l'opérateur.
- N'utilisez que les lames et les pièces de rechange recommandées par le fabricant. L'utilisation de pièces qui ne sont pas d'origine peut endommager la machine et blesser l'opérateur. Conservez la tondeuse dans un bon état de fonctionnement.
- Si le dispositif d'arrêt de la lame ne fonctionne pas, demandez de l'aide au SAV.

Transport et manutention

- Si vous devez bouger, soulever, transporter ou incliner la machine, vous devez :
 - porter des gants de travail épais,
 - saisir la machine aux emplacements qui offrent une prise sûre, en prenant en compte le poids et sa répartition,
 - utiliser un nombre de personnes adapté au poids de la machine et aux caractéristiques du véhicule ou bien au lieu dans lequel la machine doit être placée ou récupérée.
- Pendant le transport, fixez solidement la machine avec des cordes ou des chaînes.



AVERTISSEMENT : Ne touchez pas la lame en mouvement.



AVERTISSEMENT : Remettez du carburant dans un lieu bien ventilé et assurez-vous que le moteur est arrêté.

3. DESCRIPTION DES PIÈCES (Fig. 1)

Notamment

A : Clé de bougie d'allumage

4. CARACTÉRISTIQUES TECHNIQUES

| | |
|--------------------------------------|------------------------------|
| Modèle | PLM5600N2 |
| Type de moteur | Série B&S 675EXi, ReadyStart |
| Autopropulsé | Oui |
| Déplacement du moteur | 163 cm ³ |
| Puissance nominale | 2,6 kW |
| Largeur de la lame | 560 mm |
| Vitesse nominale | 2 800/min |
| Capacité du réservoir de carburant | 1,0 l |
| Volume du réservoir d'huile | 0,47 l |
| Capacité du sac de ramassage d'herbe | 70 l |
| Poids net | 37,2 kg |
| Réglage de la hauteur | 25-70 mm, 8 réglages |

| | |
|--|---|
| Modèle | PLM5600N2 |
| Niveau de pression sonore garantie à la position de l'opérateur (D'après EN ISO 5395-1 Annexe F et EN ISO 5395-2, EN ISO 4871) | 88,5 dB (A) (K=3 dB (A)) |
| Niveau de puissance sonore mesurée | 96,3 dB (A) |
| Niveau de puissance sonore garantie (selon la norme 2000/14/CE) | K=1,86 dB (A) 98 dB (A) |
| Vibrations (D'après EN ISO 5395-1 Annexe G et EN ISO 5395-2) | 7,90 m/s ² K=1,5 m/s ² |

5. MONTAGE

5-1 ASSEMBLAGE DU GUIDON REPLIABLE

1. Installez la barre inférieure du guidon sur le crochet du guidon à l'aide d'un boulon, d'une rondelle et d'un bouton de verrouillage. (Fig. 2, Fig. 3)
2. Fixez le guidon supérieur et le guidon inférieur avec le bouton de verrouillage. (Fig. 4, Fig. 5)
3. Placez le câble autour de l'orifice au centre du manche inférieur. Serrez-le à l'aide du clip de maintien à cet effet et assurez-vous que le câble est fixé autour de la partie extérieure du guidon. (Fig. 6) Sinon, le câble risque de se pincer lors de l'ouverture/fermeture du capot arrière.

5-2 RÉGLAGE POUR UNE HAUTEUR ADÉQUATE DU GUIDON

- 1) Dévissez le bouton de verrouillage retenant le guidon inférieur.
- 2) Relevez et abaissez le guidon inférieur et réglez-le à la bonne hauteur. Ce type de tondeuse comporte 3 hauteurs de réglage à choisir. En position 1, le guidon inférieur vers le sol, la hauteur est maximale, en position 3, le guidon inférieur vers le sol est la position minimale. (Fig. 7)

- 3) Après avoir réglé le guidon inférieur selon la bonne hauteur, fixez-le à l'aide du bouton de verrouillage. (Fig. 8)

5-3 MONTAGE ET DÉMONTAGE DU SAC DE RAMASSAGE D'HERBE

1. Pour l'installer : soulevez le capot arrière et fixez le sac de ramassage à l'arrière de la tondeuse. (Fig. 9, Fig. 10)
2. Pour le retirer : soulevez le capot arrière, retirez le sac de ramassage.

5-4 GUIDON DE DÉMARRAGE

Déplacez le guidon de démarrage du moteur vers le guide câble. (Fig. 11)

5-5 HAUTEUR DE COUPE

Pour sortir le levier du rail, appliquez une pression vers l'extérieur. Pour régler la hauteur, avancez le levier vers l'avant ou vers l'arrière. (Fig. 12 et voir le point 7-9)

6. FONCTIONNEMENT

Le fonctionnement habituel de ces tondeuses peut être modifié selon l'application choisie:

Depuis la tondeuse avec collecte à l'arrière jusqu'à la :

1. Tondeuse hacheuse ou la
2. Tondeuse à éjection latérale.

Qu'est-ce que le hachage ?

Lors du hachage, l'herbe est tout d'abord coupée, puis finement coupée et retournée avant d'être remise par terre pour faire office d'engrais naturel.

Conseils relatifs à ce processus :

- Hauteur de coupe de 2 cm au max. sur une hauteur d'herbe de 6 cm à 4 cm.
- Utilisez une lame aiguisée.
- Ne tondez pas d'herbe mouillée.
- Réglez le moteur sur la vitesse maximale.
- Ne courez pas.
- Nettoyez régulièrement l'embout de hachage, l'intérieur du châssis et la lame de tonte.

Démarrage

6-1 Modification pour la tondeuse hacheuse



AVERTISSEMENT : Ne faites cela qu'avec un moteur et une lame à l'arrêt.

1. Relevez le capot arrière et retirez le sac de ramassage.
2. Poussez l'embout de hachage dans le plateau. Bloquez-le avec le bouton pendant l'ouverture du plateau. (Fig. 13, Fig. 14)
3. Remettez le capot arrière en place. (Fig. 15)
4. Soulevez le volet latéral et retirez le guide d'éjection latéral.

6-2 Réinitialisation pour la tonte avec éjection latérale



Ne faites cela qu'avec un moteur et une lame à l'arrêt !

1. Soulevez le capot arrière et retirez le sac de ramassage.
2. Poussez l'embout de hachage dans le plateau. Bloquez-le avec le bouton pendant l'ouverture du plateau.
3. Soulevez le volet latéral pour l'éjection latérale. (Fig. 16)
4. Installez le canal d'éjection latéral pour l'éjection latérale sur la broche de soutien du volet latéral. (Fig. 17)
5. Baissez le volet latéral - le volet repose sur le canal d'éjection latéral. (Fig. 18)

6-3 Tonte avec le sac de ramassage d'herbe



AVERTISSEMENT : Ne faites cela qu'avec un moteur et une lame à l'arrêt.

Pour tondre avec le sac de ramassage, retirez l'embout de hachage et le canal d'éjection latéral pour l'éjection latérale, et installez le sac de ramassage.

1. Retrait de l'embout de hachage.
 - Soulevez le capot arrière et retirez le coin de hachage.
2. Retrait du tuyau de décharge pour décharge latérale.
 - Soulevez le volet latéral et déposez le tuyau de décharge latérale.
 - Le volet latéral ferme automatiquement l'ouverture de la décharge sur le logement grâce à la force d'un ressort.
 - Éliminez régulièrement les résidus d'herbe ou la saleté accumulée sur le volet latéral et l'ouverture de la décharge.
3. Installation du sac de ramassage.
 - soulevez le capot arrière et fixez le sac de ramassage à l'arrière de la tondeuse.

7. INSTRUCTIONS D'UTILISATION

7-1 AVANT LE DÉMARRAGE

Refaites les niveaux d'huile et d'essence du moteur conformément aux instructions du manuel du moteur fourni avec la tondeuse. Lisez attentivement les instructions. (Fig. 19, Fig. 20, Fig. 21)



AVERTISSEMENT : L'essence est extrêmement inflammable.

Stockez le carburant dans des conteneurs conçus particulièrement à cet effet.

Ne mettez de l'essence qu'en extérieur, avant de démarrer le moteur et ne fumez pas lorsque vous manipulez de l'essence.

Ne retirez jamais le capuchon du réservoir de carburant et n'ajoutez pas d'essence lorsque le moteur tourne ou qu'il chauffe.

Si de l'essence coule, n'essayez pas de démarrer le moteur mais éloignez l'appareil de la zone où l'essence a coulé et évitez de faire des étincelles jusqu'à dissipation des vapeurs d'essence.


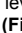
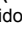
Revissez fermement tous les capuchons du réservoir et du conteneur.

Avant de basculer la tondeuse pour assurer l'entretien de la lame ou effectuer la vidange, siphonnez le carburant.



AVERTISSEMENT : Ne remplissez jamais le réservoir en intérieur, lorsque le moteur fonctionne ou avant qu'il n'ait eu le temps de refroidir pendant au moins 15 minutes.

7-2 DÉMARRAGE DU MOTEUR ET ENGAGEMENT DE LA LAME

1. L'extrémité de la bougie d'allumage est recouverte d'une protection en caoutchouc, assurez-vous que la boucle métallique située au bout du câble de la bougie (dans la protection) est fermement fixée sur l'embout métallique de la bougie d'allumage.
2. Lorsque vous démarrez le moteur à chaud ou à froid, tournez le levier de l'étrangleur des gaz n'importe où entre la position «  » et la position «  ». Lorsque le moteur fonctionne, tournez le levier de l'étrangleur des gaz en position «  ». (Fig. 22)
3. Debout derrière l'appareil, attrapez le guidon de contrôle de frein et maintenez-le contre le guidon supérieur, comme illustré sur la Fig. 23.
4. Attrapez le guidon de démarrage comme illustré à la Fig. 23 et tirez brièvement dessus. Ramenez-le doucement vers le boulon du guide câble après démarrage du moteur.

Pour arrêter le moteur et la lame, relâchez le guidon de contrôle de frein.



Démarrez le moteur attentivement, conformément aux instructions et en vous assurant que vos pieds sont éloignés de la/des lame(s).



Lorsque vous démarrez le moteur, n'inclinez pas la tondeuse. Démarrez la tondeuse sur une surface plane, sans herbes hautes ni obstacles.



Gardez vos mains et vos pieds éloignés des pièces pivotantes. Ne démarrez pas le moteur lorsque vous êtes devant la goulotte d'éjection.

7-3 PROCÉDURES DE FONCTIONNEMENT

Lors du fonctionnement, tenez fermement et à deux mains le guidon de frein.



Remarque : En fonctionnement, lorsque vous relâchez le guidon de frein, le moteur s'arrête et par conséquent la tondeuse également.



Avertissement ! Pour éviter tout démarrage intempestif de la tondeuse, celle-ci est pourvue d'un frein de moteur qui doit être tiré en arrière avant de pouvoir démarrer le moteur. Lorsque le levier de commande du moteur est relâché, il doit revenir à sa position initiale, et à ce moment, le moteur s'éteint automatiquement.



Remarque : Frein de moteur (poignée de frein) : utilisez le levier pour arrêter le moteur. Lorsque vous relâchez le levier, le moteur et la lame s'arrêtent automatiquement. Pour tondre, tenez le levier dans la position de travail. Avant de commencer à tondre, vérifiez à plusieurs reprises le levier de démarrage/arrêt pour vous assurer qu'il fonctionne correctement. Assurez-vous que le câble de tension puisse être manœuvré sans problème (c.-à-d. sans se coincer ou s'entortiller).

7-4 ARRÊT DU MOTEUR


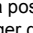


ATTENTION : Après l'arrêt du moteur, la lame continue à tourner pendant quelques secondes.

1. Pour arrêter le moteur et la lame, relâchez le guidon de contrôle de frein. (Fig. 24)
2. Débranchez le câble de la bougie d'allumage et placez-le sur le sol conformément aux instructions du manuel du moteur, pour éviter un démarrage accidentel.

7-5 RACCORDEMENT POUR LE DÉPLACEMENT AUTOMATIQUE

La tondeuse est équipée d'un système de réglage de vitesse comportant 3 vitesses comprises entre 3,0 km/h et 4,5 km/h.

Position «  » : la position la plus lente ; Position «  » : la position la plus rapide. (Fig. 25)

Pour changer de vitesse, procédez comme suit :

1. Relâchez le guidon d'autopropulsion jusqu'à ce que la tondeuse n'avance plus.
2. Sélectionnez la vitesse souhaitée.
3. Appuyez sur le guidon d'autopropulsion pour continuer de tondre. (Fig. 26)



ATTENTION : Votre tondeuse est prévue pour couper de la pelouse normale dont la hauteur ne dépasse pas 250 mm.

Ne tentez pas de tondre de l'herbe haute et sèche ou mouillée (par exemple, un pré) ou des amas de feuilles sèches. Des débris peuvent s'accumuler sur le plateau ou entrer en contact avec l'échappement du moteur, présentant un risque d'incendie potentiel.

7-6 POUR DES RÉSULTATS OPTIMAUX LORS DE LA TONTE

Débarrassez le gazon de tout débris. Vérifiez que le gazon est exempt de cailloux, bâtons, câbles et autres corps étrangers qui risqueraient d'être projetés accidentellement par la tondeuse dans toutes les directions et de provoquer des blessures graves ou d'endommager les objets avoisinants. Ne tondez pas

d'herbe mouillée. Pour une tonte efficace, ne coupez pas d'herbe mouillée car elle a tendance à coller au dessous du plateau, ce qui nuit à l'efficacité de la tonte. Ne coupez pas plus d'1/3 de la hauteur de l'herbe. La coupe conseillée pour la tonte est d'1/3 de la hauteur de l'herbe. Vous devrez régler la vitesse par rapport au sol pour que les herbes coupées soient dispersées de façon homogène. Pour une coupe intensive, par exemple avec de l'herbe épaisse, il peut être nécessaire d'utiliser l'une des vitesses les plus lentes pour obtenir un résultat propre. Lorsque vous tondez de l'herbe haute, il est possible que vous deviez procéder en deux fois, en abaissant la lame d'1/3 de hauteur supplémentaire pour votre deuxième passage et peut-être en ne suivant pas le même trajet que pour la première coupe. Si deux coupes successives se chevauchent, les touffes restantes sont éliminées. Vous devez toujours utiliser la tondeuse à pleins gaz pour obtenir un résultat optimal et des plus efficaces. Nettoyez le dessous du plateau. Assurez-vous de nettoyer le dessous du plateau après chaque utilisation pour éviter que l'herbe ne s'y accumule, se qui nuirait au hachage. Tonte de feuilles. Pour un beau terrain, vous pouvez tondre les feuilles. Assurez-vous que les feuilles sont sèches et qu'elles ne sont pas en couche trop épaisse. N'attendez pas que toutes les feuilles soient tombées des arbres avant de tondre.



AVERTISSEMENT : Si vous heurtez un objet, arrêtez le moteur. Retirez le câble de la bougie d'allumage, inspectez soigneusement la tondeuse et réparez les éventuels dégâts avant de poursuivre l'utilisation. Une vibration excessive de la tondeuse est un signe de dégât. L'appareil doit être rapidement inspecté et réparé.

7-7 SAC DE RAMASSAGE D'HERBE

Le capot arrière comporte une fenêtre transparente à travers laquelle vous pouvez voir la quantité d'herbe contenue dans le sac de ramassage.

Si le sac de ramassage est plein d'herbe, vous devez vider et nettoyer le sac, puis vous assurer qu'il est propre et que ses aérations ne sont pas obstruées. (Fig. 27)

7-8 PLATEAU

Le dessous du plateau doit être nettoyé après chaque utilisation pour éviter l'accumulation d'herbe, de feuilles, de saleté ou d'autre matière. Si des débris s'accumulent, l'appareil risque de se corroder et de rouiller, ce qui peut nuire à l'efficacité du hachage. Pour nettoyer le plateau, inclinez la tondeuse et grattez le plateau avec un outil adapté (assurez-vous que le câble de la bougie d'allumage est débranché).

7-9 INSTRUCTIONS DE RÉGLAGE DE LA HAUTEUR



ATTENTION : En aucun cas, n'effectuez aucun réglage de la tondeuse sans arrêter au préalable le moteur et débrancher le câble de la bougie d'allumage.



ATTENTION : Avant de modifier la hauteur de coupe, arrêtez la tondeuse et débranchez le câble de la bougie d'allumage.

La tondeuse est équipée d'un levier central de réglage de la hauteur, qui permet 8 réglages.

1. Arrêtez la tondeuse et débranchez le câble de la bougie d'allumage avant de modifier la hauteur de coupe de la tondeuse.
2. Le levier central de réglage de la hauteur vous permet de choisir entre 8 positions.

Pour modifier la hauteur de coupe, ramenez le levier de réglage vers la roue, puis montez-le ou descendez-le vers la hauteur de votre choix.

Toutes les roues seront à la même hauteur de coupe. (Fig. 28)

8. INSTRUCTIONS DE MAINTENANCE

BOUGIE D'ALLUMAGE

N'utilisez que des bougies de remplacement d'origine. Pour des résultats optimaux, remplacez la bougie d'allumage toutes les 100 heures d'utilisation.

PLAQUETTES DE FREIN

Faites régulièrement vérifier et/ou remplacer les plaquettes de frein de moteur par un agent de service. Seules des pièces d'origine peuvent être utilisées pour le remplacement.

9. INSTRUCTIONS DE LUBRIFICATION



ATTENTION : DÉBRANCHEZ LA BOUGIE D'ALLUMAGE AVANT TOUTE OPÉRATION DE MAINTENANCE.

1. ROUES-Lubrifiez les roulements à billes de chaque roue au moins une fois par an avec une huile à faible viscosité.
2. MOTEUR-Pour des instructions de lubrification, conformez-vous au manuel du moteur.

10. NETTOYAGE



ATTENTION : N'arrosez pas le moteur. L'eau risque d'endommager le moteur ou de contaminer le système de carburant.

1. Nettoyez le plateau avec un chiffon sec.
2. Aspergez le dessous du plateau en basculant la tondeuse de sorte que la bougie d'allumage soit orientée vers le haut.

10-1 FILTRE À AIR



ATTENTION : Ne laissez pas de la saleté ou des poussières obstruer la mousse du filtre à air. La maintenance (nettoyage) du filtre à air doit être effectuée après 25 heures de tonte normale. L'élément en mousse doit être entretenu régulièrement si la tondeuse est utilisée dans des conditions de poussière extrême.

NETTOYAGE DU FILTRE À AIR

1. Soulevez la languette sur le couvercle du filtre. (Fig. 29)
2. Retirez le couvercle du filtre.
3. Nettoyez le filtre à l'eau savonneuse. **N'UTILISEZ PAS D'ESSENCE !**
4. Séchez le filtre à l'air.
5. Placez quelques gouttes d'huile SAE30 dans le filtre à mousse et secouez-le légèrement pour retirer l'excès d'huile.
6. Remontez le filtre.
7. Fermez le couvercle du filtre.

REMARQUE : Remplacez le filtre s'il est ébréché, endommagé ou que vous ne pouvez pas le nettoyer.

10-2 LAME



ATTENTION : Assurez-vous de débrancher le câble de la bougie d'allumage et de le poser sur le sol avant d'effectuer des opérations de maintenance sur la lame et évitez tout démarrage accidentel du moteur. Protégez vos mains avec des gants épais ou attrapez les lames avec un chiffon. Inclinez la tondeuse comme spécifié dans le manuel du moteur. Retirez le boulon hexagonal et la rondelle qui fixent la lame et l'adaptateur de lame au vilebrequin. Retirez la lame et l'adaptateur du vilebrequin.



AVERTISSEMENT : Inspectez régulièrement l'adaptateur de lame pour vérifier l'absence de fissures, particulièrement si vous heurtez un objet étranger. Le cas échéant, remplacez-le.

Pour des résultats optimaux, assurez-vous que la lame est aiguisée. La lame peut être affûtée ; il suffit de la retirer et de l'aiguiser en essayant de conserver le biseau d'origine. Pour éviter un déséquilibre, il est primordial que toutes les extrémités de coupe soient limées de façon équivalente. Un mauvais équilibre des lames peut provoquer des vibrations excessives, ce qui risque d'endommager le moteur et la tondeuse. Assurez-vous de bien équilibrer les lames après l'affûtage. Pour tester l'équilibre de la lame, placez-la sur un tournevis courbe. Retirez l'excédent du métal du côté lourd jusqu'à obtention de l'équilibrage. (Fig. 30)

Avant de remonter la lame et l'adaptateur de lame sur l'appareil, lubrifiez le vilebrequin du moteur et la surface intérieure de l'adaptateur de lame avec une huile à faible viscosité. Installez l'adaptateur de lame sur le vilebrequin. Consultez la Fig. 30 Placez la lame avec son numéro de pièce orientée à l'opposé de l'adaptateur. Alignez la rondelle sur la lame et insérez le boulon hexagonal. Serrez le boulon hexagonal au couple répertorié ci-dessous.

10-3 COUPLE DE MONTAGE DE LA LAME

Boulon central sur 40 Nm - 50 Nm, afin de garantir un fonctionnement en toute sécurité de votre appareil. TOUS les écrous et boulons doivent être inspectés régulièrement pour vérifier qu'ils sont bien serrés.

Après une utilisation prolongée, particulièrement sur des sols sableux, la lame peut s'user et perdre sa forme d'origine. L'efficacité de coupe diminue et la lame doit être remplacée. Ne remplacez la lame qu'avec une lame approuvée. Le fabricant décline toute responsabilité relative aux dégâts résultant d'un mauvais équilibrage de la lame.

Lorsque vous changez la lame, vous devez utiliser une lame du même type que celui d'origine (MAKITA 263001171) (pour commander cette lame, contactez votre fournisseur local ou appelez-nous, voir la page de couverture).

10-4 MOTEUR

Consultez le manuel du moteur pour connaître les instructions de maintenance du moteur.

Conformez-vous au manuel du moteur fourni avec l'appareil pour connaître les opérations de maintenance de l'huile du moteur. Lisez soigneusement les instructions et suivez-les.

Réparez le filtre à air conformément aux préconisations du manuel du moteur.

Nettoyez-le régulièrement si vous utilisez l'appareil dans des conditions particulièrement poussiéreuses. De mauvaises performances et un noyage du moteur indiquent en général que le filtre à air doit être réparé.

Pour ce faire, consultez le manuel du moteur fourni avec l'appareil.

La bougie d'allumage doit être nettoyée et l'espace doit être vérifié une fois par an. Le remplacement de la bougie d'allumage est conseillé au début de chaque saison de tonte ; consultez le manuel du moteur pour connaître les bonnes spécifications d'espace et de type de bougie. Nettoyez régulièrement le moteur avec un chiffon ou une brosse. Gardez le système de refroidissement (ventilateur) propre pour permettre une bonne circulation de l'air, ce qui est essentiel aux performances et à la durée de vie du moteur. Assurez-vous de retirer toutes les herbes, la saleté et les débris de combustible du pot d'échappement.

11. INSTRUCTIONS DE STOCKAGE (HORS SAISON)

Les étapes suivantes doivent être respectées pour préparer la tondeuse au stockage.

1. Videz le réservoir après la dernière tonte de la saison.
 - a) Videz le réservoir d'essence à l'aide d'une pompe aspirante.



ATTENTION : Ne purgez pas l'essence dans une pièce fermée, à proximité immédiate d'une flamme, etc. Ne fumez pas ! Les vapeurs d'essence peuvent provoquer une explosion ou un incendie.

- b) Démarrez le moteur et laissez-le tourner jusqu'à ce qu'il ait brûlé toute l'essence et qu'il cale.

- c) Retirez la bougie. À l'aide d'une burette d'huile, versez environ 20 ml d'huile dans la chambre de combustion. Actionnez le démarreur pour répartir uniformément l'huile dans la chambre de combustion. Remplacez la bougie.
2. Nettoyez et graissez soigneusement la tondeuse, comme décrit ci-dessus dans la section « INSTRUCTIONS DE LUBRIFICATION ».
 3. Pour éviter la corrosion, graissez légèrement la lame.
 4. Rangez la tondeuse dans un lieu sec, propre, à l'abri du gel et hors de portée des personnes non autorisées.



ATTENTION : Avant de ranger la tondeuse, veillez à ce que le moteur ait complètement refroidi.



REMARQUE :

- Lorsque vous rangez un appareil dans un lieu mal ventilé ou dans une remise.
- vous devez enduire l'appareil d'anti-rouille. Recouvrez l'équipement, et particulièrement ses câbles et pièces mobiles, d'une couche d'huile à faible viscosité ou de silicone.
- Faites attention à ne pas plier ou pincer les câbles.
- Si le câble du démarreur se débranche du guide câble du guidon, débranchez le câble de la bougie d'allumage et posez-le sur le sol, appuyez sur le guidon d'arrêt et sortez doucement le câble du démarreur du moteur. Faites glisser le câble du démarreur dans le boudin du guide câble du guidon.

Transport

Éteignez le moteur et laissez-le refroidir. Puis débranchez le câble d'allumage et videz le réservoir d'essence selon les instructions du manuel du moteur. Veillez à ne pas plier ou endommager la lame lorsque vous poussez la tondeuse contre un obstacle.

12. DÉPANNAGE

| PROBLÈME | CAUSE POSSIBLE | ACTION CORRECTRICE |
|--|--|---|
| Le moteur ne démarre pas. | La cale du papillon des gaz n'est pas dans la position adaptée aux conditions. | Mettez-la dans la bonne position. |
| | Le réservoir de carburant est vide. | Remplissez-le : consultez le MANUEL DE L'UTILISATEUR DU MOTEUR. |
| | L'élément du filtre à air est encrassé. | Nettoyez-le : consultez le MANUEL DE L'UTILISATEUR DU MOTEUR. |
| | La bougie d'allumage est desserrée. | Resserrez-la selon un couple compris entre 25 et 30 Nm. |
| | Le câble de la bougie d'allumage est desserré ou débranché. | Remontez-le sur la bougie d'allumage. |
| | L'espace de la bougie d'allumage est incorrect. | Réglez l'espace entre les électrodes afin qu'il soit compris entre 0,7 et 0,8 mm. |
| | La bougie d'allumage est défectueuse. | Installez une nouvelle bougie, en respectant l'espace préconisé : consultez le MANUEL DE L'UTILISATEUR DU MOTEUR. |
| | Le carburateur est noyé. | Retirez l'élément du filtre à air et tirez plusieurs fois sur le câble du démarreur jusqu'à ce que le carburateur se vide, puis remontez l'élément du filtre à air. |
| | Le module d'allumage est défectueux. | Contactez l'agent d'entretien. |
| Le moteur a du mal à démarrer ou perd de la puissance. | Le réservoir de carburant est encrassé, éventé ou de l'eau s'y trouve. | Purgez le carburant et nettoyez le réservoir. Refaites le niveau avec du carburant propre. |
| | L'échappement du capuchon du réservoir de carburant est branché. | Nettoyez le capuchon du réservoir de carburant ou remplacez-le. |
| | L'élément du filtre à air est encrassé. | Nettoyez-le. |
| Le moteur fonctionne mal. | La bougie d'allumage est défectueuse. | Installez une nouvelle bougie, en respectant l'espace préconisé : consultez le MANUEL DE L'UTILISATEUR DU MOTEUR. |
| | L'espace de la bougie d'allumage est incorrect. | Réglez l'espace entre les électrodes afin qu'il soit compris entre 0,7 et 0,8 mm. |
| | L'élément du filtre à air est encrassé. | Nettoyez-le : consultez le MANUEL DE L'UTILISATEUR DU MOTEUR. |
| Mauvais ralenti du moteur. | L'élément du filtre à air est encrassé. | Nettoyez-le : consultez le MANUEL DE L'UTILISATEUR DU MOTEUR. |
| | Les prises d'air du flasque du moteur sont obstruées. | Débarrassez-les des débris. |
| | Les ailettes de refroidissement et passages d'air situés sous le ventilateur du moteur sont bloqués. | Débarrassez-les des éléments qui les bloquent. |
| À grande vitesse, le moteur tressaute. | L'espace entre les électrodes des bougies est trop étroit. | Réglez l'espace entre les électrodes afin qu'il soit compris entre 0,7 et 0,8 mm. |
| Le moteur surchauffe. | Le flux d'air de refroidissement est restreint. | Retirez les éventuels débris se trouvant dans les fentes du flasque, du boîtier du ventilateur et des passages d'air. |
| | Mauvaise bougie d'allumage. | Installez la bougie d'allumage d'origine et les ailettes de refroidissement sur le moteur. |
| La tondeuse tremble anormalement. | L'ensemble de coupe est lâche. | Resserrez la lame. |
| | L'ensemble de coupe est déséquilibré. | Équilibrez la lame. |

13. ENVIRONNEMENT

Si votre machine doit être remplacée après une utilisation prolongée, ne la jetez pas avec les ordures ménagères mais mettez-la au rebut dans le respect de l'environnement.

14. DÉCLARATION DE CONFORMITÉ CE

Pour les pays d'Europe uniquement

La déclaration de conformité CE est fournie en Annexe A à ce mode d'emploi.

Erklärung der Gesamtdarstellung

- | | | |
|-------------------------------|-----------------------------|------------------------|
| 1. Bremsregelgriff | 11. Seitliche Klappe | 20. Taste |
| 2. Oberer Griff | 12. Deck | 21. Öldeckel/Messstab |
| 3. Selbstfahr-Regelgriff | 13. Zündkerze | 22. Max: Oberes Limit |
| 4. Gashebel | 14. Tankdeckel | 23. Min: Unteres Limit |
| 5. Startergriff | 15. Öldeckel | 24. Lasche |
| 6. Seilführung | 16. Kabelklemme | 25. Filterkappe |
| 7. Sicherungsknauf | 17. Unterer Griff | |
| 8. Grasfänger | 18. Hebel zur | |
| 9. Hebel für Höheneinstellung | Geschwindigkeitseinstellung | |
| 10. Seitlicher Auswurfkanal | 19. Mulchkeil | |



WARNUNG:

Lesen Sie zu Ihrer eigenen Sicherheit dieses Handbuch vor der Aufnahme des Betriebs Ihres neuen Geräts durch. Werden die folgenden Anweisungen nicht befolgt, besteht die Gefahr schwerer Verletzungen. Nehmen Sie sich vor jeder Benutzung ein wenig Zeit, sich mit Ihrem Mäher vertraut zu machen. Bewahren Sie dieses Handbuch an einem sicheren Ort auf, so dass die Informationen jederzeit verfügbar sind. Wenn Sie das Gerät einer anderen Person ausleihen, händigen Sie diese Bedienungsanleitung sowie die Sicherheitsbestimmungen aus.

Verwendungszweck

Das Gerät darf nur für die Aufgaben verwendet werden, für deren Ausführung es vorgesehen ist. Jeder andere Gebrauch ist als Missbrauch anzusehen. Der Benutzer/Betreiber, aber nicht der Hersteller, ist für Schäden oder Verletzungen jeglicher Art, die sich daraus ergeben, haftbar.

Der Benzin-Rasenmäher ist für privaten Gebrauch, d. h. für den Einsatz in Heim- und Gartenumgebungen, vorgesehen.

Privater Gebrauch des Rasenmähers bezieht sich auf eine jährliche Betriebszeit, die im Allgemeinen 50 Betriebsstunden nicht überschreitet, während denen die Maschine hauptsächlich zur Instandhaltung kleiner Rasenflächen in Wohngebieten und Heim-/Hobbygärten verwendet wird. Öffentliche Einrichtungen, Sporthallen sowie Anwendungen in Land- und Forstwirtschaft sind ausgeschlossen.

Bitte beachten Sie, dass unser Gerät nicht für den Einsatz in kommerziellen, gewerblichen oder industriellen Anwendungen ausgelegt ist. Unsere Garantie wird ungültig, wenn die Maschine in kommerziellen, gewerblichen oder industriellen Unternehmen oder für entsprechende Zwecke eingesetzt wird.

Die vom Hersteller gelieferte Bedienungsanleitung muss aufbewahrt und gelesen werden, um sicherzustellen, dass der Rasenmäher ordnungsgemäß benutzt und gewartet wird. Die Anleitung enthält wichtige Informationen zu Bedienungs-, Instandhaltungs- und Wartungsbedingungen.

Wichtig! Aufgrund der hohen Verletzungsgefahr für den Benutzer darf der Rasenmäher nicht zum Schneiden von Buschwerk, Hecken oder Gestrüpp, zum Mähen von Pflanzenbewuchs, bepflanzten Dächern oder Balkonrasen, zum Reinigen (Aufsaugen) von Schmutz

und Unrat auf Gehwegen, oder zum Zerkleinern von Baum- oder Heckenverschnitt verwendet werden. Darüber hinaus darf der Rasenmäher nicht als Bodenfräse zum Einebnen von Erhebungen, wie z. B. Maulwurfschaulen, verwendet werden. Aus Sicherheitsgründen darf der Rasenmäher nicht als Antriebseinheit für andere Arbeitswerkzeuge oder Werkzeugsätze jeglicher Art verwendet werden.

1. AM PRODUKT ANBRACHTE SYMBOLE (auf der Rückabdeckung)



Lesen Sie die Bedienungsanleitung.



Halten Sie umstehende Personen fern.



Achten Sie beim Bedienen vor allem auf Ihre Hände und Füße, um Verletzungen zu vermeiden.



Kraftstoffe sind brennbar. Kein Feuer; Füllen Sie Kraftstoff nicht bei laufendem Motor nach.



Giftige Dämpfe; Kein Betrieb im Innenbereich.



Tragen Sie beim Mähen zu Ihrem eigenen Schutz Schutzbrille und Ohrstöpsel.





Ziehen Sie vor Reparaturarbeiten die Zündkerze heraus und nehmen Sie anschließend die Reparatur anhand der Bedienungsanleitung vor.



Achtung: Motor ist heiß.

2. ALLGEMEINE SICHERHEITSGESETZE



WARNUNG: Bei der Verwendung von Benzinwerkzeugen müssen Sie stets grundlegende Sicherheitsmaßnahmen befolgen, einschließlich der folgenden, um das Risiko von schweren Verletzungen und/oder Schäden am Gerät zu verringern. Lesen Sie vor der Inbetriebnahme dieses Produkts alle Anweisungen durch, und bewahren Sie diese zum späteren Nachschlagen auf.



WARNUNG: Während des Betriebs erzeugt diese Maschine ein elektromagnetisches Feld. Unter bestimmten Umständen kann dieses Feld Auswirkungen auf aktive oder passive medizinische Implantate haben. Zur Verminderung der Gefahr ernsthafter oder tödlicher Verletzungen empfehlen wir Personen mit medizinischen Implantaten, sich vor der Bedienung dieses Geräts an einen Arzt oder den Hersteller des medizinischen Implantats zu wenden.

Einarbeitung

- Lesen Sie alle Anweisungen aufmerksam. Machen Sie sich mit der Bedienung und der ordnungsgemäßen Verwendung des Mähers vertraut. Lernen Sie, den Motor rasch anzuhalten.
- Verwenden Sie den Rasenmäher ausschließlich zum vorgesehenen Zweck, d.h. zum Schneiden und Sammeln von Gras. Die Verwendung zu anderen Zwecken kann gefährlich sein und zur Beschädigung des Geräts führen. Beispiele für eine unsachgemäße Verwendung sind unter anderem:
 - Transport von Personen, Kindern oder Tieren auf dem Gerät;
 - Verwendung als Transportgerät;
 - Verwendung des Geräts zum Ziehen oder Schieben von Lasten;
 - Verwendung des Geräts zum Sammeln von Laub oder Abfällen;
 - Verwendung des Geräts zum Trimmen von Hecken oder zum Schneiden von anderen Pflanzen außer Gras.
 - Bedienung des Geräts durch mehrere Personen;
 - Verwendung des Schnittwerkzeugs auf anderen Oberflächen außer Gras.
- Erlauben Sie Kindern und Personen, die diese Anleitungen nicht kennen, NIEMALS den Gebrauch

des Rasenmähers. Örtliche Bestimmungen können das Mindestalter für den Bediener festlegen.

- Verwenden Sie den Rasenmäher niemals:
 - wenn Personen, vor allem Kinder, oder Haustiere in der Nähe sind;
 - wenn der Bediener Medikamente oder Substanzen eingenommen hat, die seine Reaktions- und Konzentrationsfähigkeit beeinträchtigen.
- Beachten Sie, dass der Bediener für Unfälle mit oder Gefahren für andere Personen oder deren Eigentum verantwortlich ist.
- Die Benutzer müssen eine sachgerechte Einweisung in Gebrauch, Einstellung und Betrieb der Maschine, einschließlich verbotener Handlungen, erhalten.

Vorbereitung

- Tragen Sie während des Mähens stets festes Schuhwerk und lange Hosen. Arbeiten Sie nicht barfuß oder mit offenen Sandalen.
- Überprüfen Sie den vorgesehenen Einsatzbereich des Geräts gründlich, und entfernen Sie sämtliche Objekte, wie z. B. Steine, Spielsachen, Stöcke und Drähte, die von der Maschine weggeschleudert werden können.
- **WARNUNG:** Benzin ist leicht entzündlich.
 - Lagern Sie Benzin ausschließlich in dafür vorgesehenen Kanistern.
 - Füllen Sie Benzin nur im Freien nach und rauchen Sie nicht dabei.
 - Füllen Sie Benzin vor dem Starten des Motors nach. Entfernen Sie niemals die Tankkappe und füllen Sie Benzin nach, wenn der Motor läuft oder heiß ist.
 - Falls Benzin ausläuft, starten Sie den Motor nicht, sondern bewegen Sie den Mäher aus diesem Bereich heraus und vermeiden Sie strengstens jede Art von Zündung, bis der Benzindampf verfliegen ist.
 - Setzen Sie alle Deckel für den Benzintank und Kanister wieder fest auf.
- Tauschen Sie defekte Schalldämpfer aus.
- Führen Sie vor jedem Gebrauch eine Sichtprüfung der Schneidklingen, Schrauben und Schnitteinheit auf Verschleiß und Beschädigungen durch. Tauschen Sie verschlissene oder beschädigte Schneidklingen und Schrauben nur satzweise aus, um eine Unwucht zu vermeiden.
- Unterziehen Sie alle Startsperrern und Totmanneinrichtungen einer regelmäßigen Überprüfung, um zu gewährleisten, dass sie einwandfrei funktionieren.

Betrieb

- Betreiben Sie den Motor nicht in Innenräumen, wo sich gefährliches Kohlenmonoxid ansammeln kann.
- Benutzen Sie die Maschine nicht, wenn Sie müde oder krank sind oder unter dem Einfluss von Alkohol oder Medikamenten stehen.
- **Warnung!** Benutzen Sie den Rasenmäher nicht, wenn Blitzgefahr besteht.
- Es wird empfohlen, die Benutzungsdauer zu begrenzen, um Gesundheitsschäden durch Lärm und Vibrationen zu minimieren.
- Lassen Sie Vorsicht walten, wenn Sie den Rasenmäher aufhängen, auf stark abschüssigem

- Gelände und in der Nähe von Gräben oder Böschungen benutzen.
- Mähen Sie ausschließlich bei Tageslicht oder ausreichendem Kunstlicht.
 - Vermeiden Sie, wenn möglich, den Betrieb des Mähers in feuchtem Gras.
 - Achten Sie auch an Hängen immer auf einen sicheren Stand.
 - Gehen Sie beim Mähen, rennen Sie niemals beim Mähen.
 - Mähen Sie bei Walzenmähern quer zum Hang, niemals nach oben und unten.
 - Seien Sie besonders vorsichtig, wenn Sie die Richtung am Hang ändern.
 - Mähen Sie nicht an Hängen mit übermäßiger Neigung.
 - Seien Sie besonders vorsichtig, wenn Sie den Mäher wenden oder zu sich heranziehen.
 - Stoppen Sie die Schneidklinge(n), wenn der Mäher beim Transport gereinigt werden muss, z. B. beim Überqueren von Flächen, die kein Rasen sind, oder beim Transport von und zum zu mähenden Gelände.
 - Verwenden Sie den Mäher niemals mit defekten oder fehlenden Schutzvorrichtungen, beispielsweise ohne Schutzbleche und/oder Grasfänger.
 - Achtung: Der Rasenmäher darf nicht ohne den kompletten Grasfänger oder die selbstschließende Auswurföffnungs-Schutzklappe betrieben werden.
 - Ändern Sie niemals die Einstellung des Dieselmotorreglers oder überlasten Sie den Motor nicht.
 - Unterlassen Sie Änderungen oder Eingriffe an versiegelten Einstellungen für die Motordrehzahlregelung.
 - Unterlassen Sie jegliche Manipulierung oder Deaktivierung der Sicherheitssysteme oder Sicherheitsfunktionen des Rasenmähers.
 - Kuppeln Sie alle Schneidklingen und Antriebskupplungen aus, bevor Sie den Motor starten.
 - Starten Sie den Motor vorsichtig entsprechend den Anweisungen und mit ausreichendem Abstand zwischen Füßen und Schneidklingen.
 - Kippen Sie den Rasenmäher nicht, wenn Sie den Motor starten.
 - Starten Sie den Motor nicht, wenn Sie vor der Auswurföffnung stehen.
 - Halten Sie weder Hände noch Füße in die Nähe oder unter rotierende Teile. Achten Sie jederzeit auf ausreichenden Abstand zur Auswurföffnung.
 - Heben oder tragen Sie einen Rasenmäher niemals mit laufendem Motor.
 - Stoppen Sie in folgenden Situationen den Motor und ziehen Sie das Zündkerzenkabel ab, vergewissern Sie sich, dass alle sich bewegenden Teile zum völligen Stillstand gekommen sind und entfernen Sie, falls vorhanden, den Schlüssel.
 - vor dem Lösen von Blockierung oder Reinigen des Auswurfs;
 - vor dem Prüfen, Reinigen oder Arbeiten am Rasenmäher;
 - nach dem Anschlagen an Fremdkörper. Überprüfen Sie den Rasenmäher auf Beschädigungen und nehmen Sie ggf. Reparaturen vor, bevor Sie den Rasenmäher wieder starten und den Betrieb fortsetzen.

- falls der Rasenmäher ungewöhnlich zu vibrieren beginnt (sofort überprüfen);
- Stoppen Sie in folgenden Situationen den Motor und ziehen Sie das Zündkerzenkabel ab. Vergewissern Sie sich, dass alle sich bewegenden Teile zum völligen Stillstand gekommen sind und entfernen Sie, falls vorhanden, den Schlüssel.
 - wenn Sie den Rasenmäher verlassen;
 - vor dem Auftanken.
- Verringern Sie die Gashebeleinstellung, während der Motor aus ist und, falls der Motor mit einem Rückschlagventil ausgestattet ist, leiten Sie das Benzin aus dem Ende des Rasenmähers.
- Verwenden Sie den Rasenmäher ausschließlich zum Schneiden und Sammeln von Gras. Die Verwendung zu anderen Zwecken kann gefährlich sein und zur Beschädigung der Maschine führen.

Wartung und Lagerung

- Überprüfen Sie, dass alle Muttern, Bolzen und Schrauben stets festgezogen sind, um sichere Arbeitsbedingungen zu gewährleisten.
- Lagern Sie die Maschine niemals mit Benzin im Tank im Inneren eines Gehäuses, wo Dämpfe an offene Flammen oder Funken gelangen können.
- Lassen Sie den Motor abkühlen, bevor Sie das Gerät in einem geschlossenen Raum lagern. Reinigen und warten Sie den Rasenmäher vor der Lagerung.
- Zu Minderung der Brandgefahr müssen Sie Motor, Schalldämpfer, Akkufach und Lagerbereich des Benzins frei von Gras, Blättern und übermäßiger Schmiere halten.
- Überprüfen Sie den Grasfänger häufig auf Verschleiß oder Zerstörung.
- Ersetzen Sie verschlissene oder beschädigte Teile zu Ihrer Sicherheit.
- Falls der Benzintank geleert werden muss, sollten Sie dies im Freien tun.
- Unsachgemäße Wartung, Verwendung von nicht spezifikationsgerechten Ersatzteilen sowie Ausbau oder Abänderung von Sicherheitsteilen können zu einer Beschädigung des Rasenmähers und ernsthafter Verletzung der Benutzer führen.
- Verwenden Sie nur die vom Hersteller empfohlenen Messer und Ersatzteile. Die Verwendung von Fremdteilen kann zu einer Beschädigung der Maschine und Verletzung der Benutzer führen. Halten Sie den Rasenmäher in gutem Betriebszustand.
- Falls die Messerstoppvorrichtung nicht funktioniert, wenden Sie sich bitte an eine Kundendienststelle.

Transport und Handhabung

- Wenn das Gerät behandelt, angehoben, transportiert oder gekippt werden soll, müssen Sie:
 - feste Arbeitshandschuhe tragen;
 - das Gerät an den Punkten angreifen, die einen sicheren Griff bieten. Achten Sie dabei auf das Gewicht und die Gewichtsverteilung;
 - Arbeiten Sie mit einem dem Gewicht des Geräts und den Fahrzeugeigenschaften bzw. dem Ziel- oder Ausgangsort angemessenen Personenzahl.
- Sichern Sie das Gerät während des Transports mit fest angezogenen Seilen oder Ketten.



WARNUNG: Berühren Sie niemals eine rotierende Schneidklinge.



WARNUNG: Füllen Sie Benzin in einem gut belüfteten Bereich bei angehaltenem Motor nach.

3. BESCHREIBUNG DER BAUTEILE (Abb. 1)

Einschließlich

A: Schlüssel für Zündkerze

4. TECHNISCHE DATEN

| | |
|-------------------------|------------------------------|
| Modell | PLM5600N2 |
| Motortyp | B&S 675EXi-Serie, ReadyStart |
| Selbstantrieb | Ja |
| Motor-Hubraum | 163 cm ³ |
| Nennleistung | 2,6 kW |
| Schneidklingenbreite | 560 mm |
| Nendrehzahl | 2.800 U/min |
| Volumen Kraftstofftank | 1,0 l |
| Fassungsvermögen Öltank | 0,47 l |
| Volumen Grasfänger | 70 l |
| Nettogewicht | 37,2 kg |
| Höheneinstellung | 25 – 70 mm in 8 Stufen |

| | |
|---|---|
| Modell | PLM5600N2 |
| Garantierter Schalldruckpegel an Bedienerposition (Gemäß EN ISO 5395-1 Anhang F und EN ISO 5395-2, EN ISO 4871) | 88,5 dB (A) (K=3 dB (A)) |
| Gemessener Schalleistungspegel Garantierter Schalleistungspegel (gemäß 2000/14/EG) | 96,3 dB (A) K=1,86 dB (A) 98 dB (A) |
| Schwingungen (Gemäß EN ISO 5395-1 Anhang G und EN ISO 5395-2) | 7,90 m/s ² K=1,5 m/s ² |

5. MONTAGE

5-1 MONTIEREN DES KLAPPBAREN GRIFFS

1. Befestigen Sie die Lenkerstange an der Lenkerhalterung mit Schraube, Unterlegscheibe und Sicherungsknauf. (**Abb. 2, Abb. 3**)
2. Verbinden Sie den oberen und unteren Griff mit dem Sicherungsknauf. (**Abb. 4, Abb. 5**)
3. Legen Sie das Kabel um die Öffnung in der Mitte des unteren Griffrohrs. Klemmen Sie es mit der Kabelklemme fest und achten Sie darauf, dass das Kabel an der Außenseite des Mähers fixiert ist. (**Abb. 6**) Andernfalls kann das Kabel beim Öffnen/Schließen der hinteren Abdeckung verkleben.

5-2 EINSTELLEN AUF EINE GEEIGNETE GRIFFHÖHE

- 1) Schrauben Sie den Sicherungsknauf heraus, mit dem der untere Griff befestigt ist.
- 2) Bewegen Sie den unteren Griff nach oben und unten und stellen Sie ihn auf die richtige Höhe ein. An diesem Rasenmähermodell können Sie zwischen 3 Höhenstufen auswählen; auf der Höhenstufe 1 ist der Abstand unterem Griff und Boden am höchsten; auf der Höhenstufe 3 ist der Abstand zwischen unterem Griff und Boden am geringsten. (**Abb. 7**)
- 3) Befestigen Sie den unteren Griff nach dem Einstellen auf die richtige Höhe mit dem Sicherungsknauf. (**Abb. 8**)

5-3 MONTIEREN UND ABNEHMEN DES GRASFÄNGERS

1. Einsetzen: Heben Sie die hintere Abdeckung an und haken Sie den Grasfänger hinten am Mäher ein. (**Abb. 9, Abb. 10**)
2. Entfernen: Heben Sie die hintere Abdeckung an und entfernen Sie den Grasfänger.

5-4 STARTERGRIFF

Bewegen Sie den Startergriff vom Motor zur Seilführung. (**Abb. 11**)

5-5 SCHNITTHÖHE

Drücken Sie den Hebel nach außen, um ihn vom Gestell zu lösen. Bewegen Sie den Hebel vor und zurück, um die Höhe einzustellen. (**Abb. 12 und siehe Ziffern 7-9**)

6. FUNKTION

Diese Rasenmäher können je nach Anwendungszweck von der normalen Funktion umgerüstet werden:

Vom Rasenmäher mit rückseitigem Auswurf in:

1. Mulchmäher oder
2. Mäher mit seitlichem Auswurf.

Was ist Mulchen?

Beim Mulchen wird das Gras in einem einzigen Arbeitsschritt geschnitten, anschließend fein gehäckselt und als natürlicher Dünger wieder auf den Rasen ausgeworfen.

Tipps zum Mulchmähen:

- Stellen Sie den Verschnitt auf max. 2 cm bei einer Grashöhe von 6 cm bis 4 cm.
- Verwenden Sie ein scharfes Schnittmesser.
- Mähen Sie nicht, wenn das Gras feucht ist.
- Stellen Sie die maximale Motordrehzahl ein.
- Bewegen Sie sich nur im Arbeitstempo.
- Reinigen Sie den Mulchkeil, das Gehäuseinnere und das Schnittblatt regelmäßig.

Starten des Betriebs

6-1 Umrüsten zum Mulchmäher



WARNUNG: Nur bei abgestelltem Motor und still stehendem Schneidwerk.

1. Heben Sie die hintere Abdeckung an und entfernen Sie den Grasfänger.

- Drücken Sie den Mulchkeil in das Deck. Verriegeln Sie den Mulchkeil mit der Taste in der Öffnung am Deck. (**Abb. 13, Abb. 14**)
- Senken Sie die hintere Abdeckung wieder ab. (**Abb. 15**)
- Heben Sie die seitliche Klappe an und entfernen Sie den seitlichen Auswurfkanal.

6-2 Rückstellen für das Mähen mit seitlichem Auswurf



Nur bei still stehendem Motor und Messerwerk!

- Heben Sie die hintere Abdeckung an und entfernen Sie den Grasfänger.
- Drücken Sie den Mulchkeil in das Deck. Verriegeln Sie den Mulchkeil mit der Taste in der Öffnung am Deck.
- Heben Sie die seitliche Klappe für den seitlichen Auswurf an. (**Abb. 16**)
- Montieren Sie die seitlicher Auswurfkanal für den seitlichen Auswurf am Aufhängebolzen der seitlichen Klappe. (**Abb. 17**)
- Senken Sie die seitliche Klappe – die Klappe liegt auf dem seitlichen Auswurfkanal. (**Abb. 18**)

6-3 Mähen mit dem Grasfänger



WARNUNG: Nur bei still stehendem Motor und Messerwerk.

Zum Mähen mit dem Grasfänger entfernen Sie den Mulchkeil und den Auswurfkanal für den seitlichen Auswurf. Montieren Sie den Grasfänger.

- Entfernen des Mulchkeils.
 - Heben Sie die hintere Abdeckung an und entfernen Sie den Mulchkeil.
- Entfernen des Auswurfkanals für Seitenauswurf.
 - Die Seitenklappe anheben, und den Auswurfkanal entfernen.
 - Die Seitenklappe schließt die Auswurföffnung am Gehäuse automatisch mittels Federkraft.
 - Reinigen Sie die Seitenklappe und die Auswurföffnung regelmäßig von Grasresten und festsitzendem Schmutz.
- Montage des Grasfängers.
 - Heben Sie die hintere Abdeckung an und haken Sie den Grasfänger hinten am Mäher ein.

7. BEDIENUNGSANWEISUNGEN

7-1 VOR DEM STARTEN

Füllen Sie Benzin und Öl für den Motor nach, wie in dem separaten Motorhandbuch zu Ihrem Mäher aufgeführt. Lesen Sie alle Anweisungen aufmerksam. (**Abb. 19, Abb. 20, Abb. 21**)



WARNUNG: Benzin ist leicht entzündlich. Lagern Sie Benzin ausschließlich in dafür vorgesehenen Kanistern.

Füllen Sie Benzin nur im Freien nach, bevor Sie den Motor starten und rauchen Sie dabei nicht.

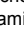
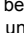
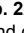
Entfernen Sie niemals die Tankkappe und füllen Sie Benzin nach, wenn der Motor läuft oder heiß ist. Falls Benzin ausläuft, starten Sie den Motor nicht, sondern bewegen Sie den Mäher aus diesem Bereich heraus und vermeiden Sie strengstens jede Art von Zündung, bis der Benzindampf verfliegen ist. Setzen Sie alle Deckel für den Benzintank und Kanister wieder fest auf.

Entfernen Sie das Benzin aus dem Tank, bevor Sie den Rasenmäher kippen, um die Schneidklinge zu warten oder Öl abzulassen.



WARNUNG: Tanken Sie niemals in Innenräumen nach, bei laufenden Motor oder bei noch heißen Motor; lassen Sie den Motor mindestens 15 Minuten nach dem Betrieb abkühlen.

7-2 SO STARTEN SIE DEN MOTOR UND SETZEN DIE SCHNEIDKLINGE EIN

- Der Mäher ist mit einer Gummimanschette über dem Ende der Zündkerze ausgestattet, damit die Metallschlaufe am Ende des Zündkerzenkabels (in der Gummimanschette) sicher über der Metallspitze der Zündkerze befestigt ist.
- Wenn Sie den kalten oder warmen Motor starten, stellen Sie den Chochebel auf eine beliebige Stellung zwischen der Position „“ und der Position „“. Stellen Sie den Chochebel während des Betriebs auf die Position „“. (**Abb. 22**)
- Greifen Sie hinter dem Mäher stehend den Bremsregelgriff und halten Sie ihn gegen den oberen Griff (siehe **Abb. 23**).
- Greifen Sie den Startergriff und ziehen Sie ihn, wie in **Abb. 23** dargestellt, schnell nach oben. Bringen Sie ihn langsam nach dem Starten des Motors zum Seilführungsbolzen zurück.

Lassen Sie den Bremsregelgriff los, um den Motor und die Schneidklinge zu stoppen.



Starten Sie den Motor vorsichtig entsprechend den Anweisungen und mit ausreichendem Abstand zwischen Füßen und Schneidklingen.



Kippen Sie den Rasenmäher nicht, wenn Sie den Motor starten. Starten Sie den Mäher auf einer ebenen Fläche ohne hohes Gras oder Hindernisse.



Halten Sie Ihre Hände und Füße von beweglichen Teilen fern. Starten Sie den Motor nicht, wenn Sie vor der Auswurföffnung stehen.

7-3 BEDIENUNG

Halten Sie den Bremsgriff während des Betriebs stets mit beiden Händen fest.



Hinweis: Wenn Sie den Bremsgriff während des Betriebs loslassen, stoppen der Motor und daher auch der Rasenmäher.



Warnung: Um unbeabsichtigtes Starten des Rasenmähers zu verhindern, ist dieser mit einer Motorbremse ausgestattet, die zurückgezogen werden muss, bevor der Motor gestartet werden kann. Wenn der Motorsteuerhebel losgelassen wird, muss er zu seiner Ausgangsstellung zurückkehren, wodurch der Motor automatisch ausgeschaltet wird.



Hinweis: Motorbremse (Bremsgriff): Benutzen Sie den Hebel, um den Motor zu stoppen. Wenn Sie den Hebel loslassen, bleiben Motor und Messer automatisch stehen. Halten Sie den Hebel zum Mähen in der Arbeitsstellung. Bevor Sie mit dem Mähen beginnen, überprüfen Sie den Start/Stop-Hebel mehrmals, um sicherzugehen, dass er ordnungsgemäß funktioniert. Vergewissern Sie sich, dass der Spannseilzug reibungslos betätigt werden kann (d. h. er bleibt nicht hängen und wird nicht geknickt).

7-4 SO STOPPEN SIE DEN MOTOR



ACHTUNG: Nach dem Stoppen des Motors dreht sich die Schneidklinge für einige Sekunden weiter.

1. Lassen Sie den Bremsregelgriff los, um den Motor und die Schneidklinge zu stoppen. (Abb. 24)
2. Ziehen Sie das Zündkerzenkabel ab und erden Sie es, wie in dem separaten Motorhandbuch beschrieben, um ein versehentliches Starten des Motors eines nicht beaufichtigten Mähers zu verhindern.

7-5 SELBSTFAHREN

Der Rasenmäher verfügt über die Möglichkeit zum Einstellen der Geschwindigkeit in 3 Stufen von 3,0 km/h bis 4,5 km/h.

Stufe „☁“: die langsamste Stufe; Stufe „☁“: die schnellste Stufe. (Abb. 25)

Gehen Sie wie folgt vor:

1. Lassen Sie den Selbstfahrgriff los; der Rasenmäher stoppt.
2. Stellen Sie die gewünschte Geschwindigkeit ein.
3. Betätigen Sie den Selbstfahrgriff, um weiter zu mähen. (Abb. 26)



ACHTUNG: Dieser Rasenmäher ist für das Mähen von in Wohngebieten üblichem Rasen mit einer Höhe von max. 250 mm vorgesehen. Verwenden Sie diesen Rasenmäher nicht zum Mähen von ungewöhnlich hohem und trockenem oder feuchtem Gras (z. B. von Weidewiesen) oder zum Mähen durch Laubhaufen. Anderenfalls kann es zum Anstauen von Gras und Laub am Mähwerk kommen oder Gras und Laub können mit dem Auspuff in Kontakt kommen und sich entzünden.

7-6 FÜR BESTE ERGEBNISSE BEIM MÄHEN

Entfernen Sie Fremdkörper vom Rasen. Vergewissern Sie sich, dass keine Steine, Stöcke, Kabel oder Fremdkörper auf dem Rasen herumliegen, die versehentlich vom Mäher in eine beliebige Richtung herausgeschleudert

werden und schwere Verletzungen des Bedieners oder anderer Personen oder Sachschäden verursachen könnten. Mähen Sie kein feuchtes Gras. Mähen Sie für ein effektives Mähen kein feuchtes Gras, da dies zum Klumpen an der Deckunterseite neigt und ein richtiges Mähen des Grasschnitts verhindert. Schneiden Sie nicht mehr als 1/3 der Grashöhe ab. Für das Mähen wird das Abmähen von 1/3 der Grashöhe empfohlen. Die Vorschubgeschwindigkeit muss so angepasst werden, dass der Grasschnitt gleichmäßig auf den Rasen ausgeworfen werden kann. Vor allem beim Schneiden von dickem Gras wird eine der langsamsten Geschwindigkeiten genutzt werden müssen, um einen sauberen, gut gemähten Schnitt zu erhalten. Beim Mähen von langem Gras müssen Sie den Rasen möglicherweise in zwei Durchgängen mähen; mähen Sie im ersten Durchgang 1/3 der Grashöhe ab und im zweiten Durchgang ein weiteres Drittel und möglicherweise in einem anderen Verlaufsmuster. Durch leichtes Überlappen jedes Durchgangs können Sie alle vereinzelt, auf dem Rasen verbliebenen Schnitte bereinigen. Der Mäher sollte stets bei Vollgas betrieben werden, um den besten Schnitt zu erhalten und ein effektives Mähen zu erreichen. Reinigen Sie die Deckunterseite. Reinigen Sie nach jeder Verwendung die Schneiddeckunterseite, um die Ansammlung von Gras zu vermeiden, wodurch ein ordentliches Mulchen verhindert werden könnte. Mähen von Blättern: Das Mähen von Blättern kann für Ihren Rasen auch von Vorteil sein. Vergewissern Sie sich vor dem Mähen von Blättern, dass diese trocken sind und nicht zu dick auf dem Rasen liegen. Warten Sie nicht, bis alle Blätter von den Bäumen gefallen sind, bevor Sie mähen.



WARNUNG: Falls der Mäher auf einen Fremdkörper schlägt, stoppen Sie den Motor. Ziehen Sie das Kabel von der Zündkerze, überprüfen Sie den Mäher gründlich auf Beschädigungen und reparieren Sie Schäden, bevor Sie den Mäher neu starten und weiter betreiben. Übermäßige Vibrationen des Mähers während des Betriebs sind Anzeichen eines Schadens. Der Mäher sollte umgehend überprüft und repariert werden.

7-7 GRASFÄNGER

An der hinteren Abdeckung befindet sich ein Sichtfenster, durch das Sie den Grasstand im Grasfänger beobachten können.

Falls der Grasfänger voll ist, leeren und reinigen Sie den Grasfänger und stellen Sie sicher, dass er sauber ist und das Maschenwerk gut durchblasen werden kann.

(Abb. 27)

7-8 DECK

Die Unterseite des Mähwerks muss nach jeder Verwendung gereinigt werden, um ein Ansammeln von Grasschnitt, Blättern, Schmutz oder anderen Materialien zu verhindern. Falls sich Fremdkörper ansammeln können, wird Rost und Korrosion begünstigt und ein ordentliches Mulchen möglicherweise verhindert. Möglicherweise müssen Sie zum Reinigen des Decks den Mäher kippen und mit einem geeigneten Werkzeug sauber kratzen. (Ziehen Sie auf jeden Fall das Zündkerzenkabel ab.)

7-9 ANLEITUNGEN ZUR HÖHENEINSTELLUNG



ACHTUNG: Nehmen Sie niemals Einstellungen am Rasenmäher vor, ohne dass Sie zuerst den Motor gestoppt und das Zündkerzenkabel abgezogen haben.



ACHTUNG: Stoppen Sie den Mäher und ziehen Sie das Zündkerzenkabel ab, bevor Sie die Schnitthöhe ändern.

Ihr Rasenmäher ist mit einem zentralen Höheneinstellungshebel ausgestattet, über den Sie 8 Höhenpositionen einstellen können.

1. Stoppen Sie den Mäher und ziehen Sie das Zündkerzenkabel ab, bevor Sie die Schnitthöhe ändern.
2. Der zentrale Höheneinstellungshebel bietet 8 verschiedene Höhenpositionen.

Zum Ändern der Schnitthöhe drücken Sie den Einstellungshebel in Richtung Rad und bewegen Sie diesen nach oben oder unten auf die gewünschte Höhe. Alle Räder müssen auf gleicher Schnitthöhe sein. (Abb. 28)

8. WARTUNGSANWEISUNGEN

ZÜNDKERZE

Verwenden Sie für die Zündkerze nur originale Ersatzteile. Tauschen Sie für beste Ergebnisse die Zündkerze alle 100 Betriebsstunden aus.

BREMSBELÄGE

Überprüfen und/oder ersetzen Sie die Motorbremsbeläge in regelmäßigen Wartungsintervallen. Nur Originalteile dürfen als Ersatz verwendet werden.

9. SCHMIERUNGSANWEISUNGEN



ACHTUNG: TRENNEN SIE VOR WARTUNGSARBEITEN DIE ZÜNDKERZE AB.

1. RÄDER: Schmieren Sie die Kugellager in jedem Rad mindestens 1x in der Saison mit einem Leichtöl.
2. MOTOR: Halten Sie sich an die Schmierungsanweisungen im Motorhandbuch.

10. REINIGEN



ACHTUNG: Spritzen Sie den Motor nicht ab. Wasser kann den Motor beschädigen und das Kraftstoffsystem verunreinigen.

1. Reiben Sie das Deck mit einem trockenen Tuch ab.
2. Spritzen Sie unter das Mähwerk, indem Sie den Mäher so kippen, dass die Zündkerze oben ist.

10-1 MOTORENLUFTREINIGER



ACHTUNG: Erlauben Sie nicht, dass Dreck und Schmutz den Luftfilter verstopfen. Das Luftreinigerement des Motors muss nach 25 Stunden normalen Mähens gereinigt werden. Das Schaumstoffelement muss regelmäßig gereinigt werden, wenn der Mäher in trockenen und staubigen Bedingungen verwendet wird.

SO REINIGEN SIE DEN LUFTFILTER

1. Heben Sie die Lasche an der Filterabdeckung an. (Abb. 29)
2. Entfernen Sie die Filterkappe.
3. Waschen Sie das Filterelement in Seifenwasser. **VERWENDEN SIE KEIN BENZIN!**
4. Lassen Sie das Luftreinigungselement an der Luft trocknen.
5. Geben Sie einige Tropfen SAE30-Öl auf den Schaumfilter und quetschen Sie überschüssiges Öl aus.
6. Setzen Sie den Filter wieder ein.
7. Schließen Sie den Filterdeckel.

HINWEIS: Tauschen Sie den Filter aus, falls dieser ausgefranst, verschlissen, beschädigt oder nicht zu reinigen ist.

10-2 SCHNEIDKLINGE



ACHTUNG: Trennen und erden Sie auf jeden Fall das Zündkerzenkabel, bevor Sie an der Schneidklinge arbeiten, um ein versehentliches Starten des Motors zu verhindern. Schützen Sie Ihre Hände mit Handschuhen oder einem Lappen, wenn Sie die Schneidklingen anfassen. Kippen Sie den Mäher, wie in dem separaten Motorhandbuch angegeben. Entfernen Sie die Sechskantschraube, welche die Schneidklinge und den Schneidklingenadapter auf der Motorwelle hält. Entfernen Sie die Schneidklinge und den Adapter von der Welle.



WARNUNG: Überprüfen Sie regelmäßig den Schneidklingenadapter auf Risse, vor allem, wenn Sie einen Fremdkörper gestreift haben. Tauschen Sie bei Bedarf aus.

Für beste Ergebnisse sollte die Schneidklinge scharf sein. Sie können die Klinge nachschärfen. Entfernen Sie sie dazu und schleifen oder feilen Sie die Schnittkante so nah wie möglich an der originalen Abfassung nach. Es ist extrem wichtig, dass jede Schnittkante gleichmäßig abgetragen wird, um eine Schneidklingenunwucht zu vermeiden. Eine Schneidklingenunwucht führt zu übermäßigen Schwingungen und eventueller Beschädigung von Motor und Mäher. Wuchten Sie die Schneidklinge nach dem Schärfen sorgfältig aus. Balancieren Sie die Schneidklinge dafür auf dem runden Teil eines Schraubendrehers. Entfernen Sie Material von der schwereren Seite, bis die Schneidklinge in der Balance ist. (Abb. 30)

Schmieren Sie vor der Wiedermontage der Schneidklinge und des Schneidklingenadapters die Motorwelle und die Innenfläche des Schneidklingenadapters mit Leichtöl.

Setzen Sie den Schneidklingenadapter auf die Welle. Siehe **Abb. 30**. Setzen Sie die Schneidklinge mit der Teilenummer weg vom Adapter zeigend auf. Richten Sie die Unterlegscheibe über der Schneidklinge aus und setzen Sie die Sechskantschraube auf. Ziehen Sie die Sechskantschraube mit dem angegebenen Drehmoment an.

10-3 MONTAGEDREHMOMENT FÜR DIE SCHNEIDKLINGE

Ziehen Sie für einen sicheren Betrieb die Mittelschraube mit 40 Nm - 50 Nm fest. Prüfen Sie ALLE Muttern und Schrauben regelmäßig auf festen Sitz.

Nach einer längeren Verwendung, vor allem bei sandigen Böden, verschleißt die Schneidklinge und verliert ihre ursprüngliche Schärfe. Ein effizientes Mähen wird vermindert und die Klinge muss ausgetauscht werden. Verwenden Sie als Austausch ausschließlich eine genehmigte Ersatzschneidklinge. Mögliche Schäden aufgrund einer Schneidklingenunwucht liegen nicht in der Verantwortlichkeit des Herstellers.

Wenn Sie die Klinge tauschen, müssen Sie den auf der Klinge angegebenen Originaltyp wieder verwenden (MAKITA 263001171) (für die Bestellung der Klinge wenden Sie sich an Ihren Händler vor Ort oder rufen in unserem Unternehmen an, siehe Deckblatt).

10-4 MOTOR

Schlagen Sie im separaten Motorhandbuch die Wartungsanweisungen für den Motor nach.

Wechseln Sie das Motoröl wie in dem separaten Motorhandbuch zu Ihrem Mäher aufgeführt. Lesen Sie alle Anweisungen aufmerksam durch und befolgen Sie diese.

Warten Sie den Luftreiniger unter normalen Bedingungen, wie im separaten Motorhandbuch angegeben.

Reinigen Sie diese unter extrem staubigen Bedingungen alle paar Stunden. Schlechte Motorleistung und Absaufen weisen gewöhnlich auf eine fällige Wartung des Luftreinigers hin.

Warten Sie den Luftreiniger wie in dem separaten Motorhandbuch zu Ihrem Mäher aufgeführt.

Die Zündkerze muss sauber sein und der Abstand sollte 1x pro Saison eingestellt werden. Ein Austausch der Zündkerze wird zu Beginn jeder Mähseason empfohlen. Den korrekten Steckertyp und die Abstandsdaten finden Sie im Motorhandbuch.

Reinigen Sie den Motor regelmäßig mit einem Tuch oder einer Bürste. Halten Sie das Kühlsystem (Bereich des Gebläsegehäuses) sauber, um die richtige Luftzirkulation zu gewährleisten, die für die Leistung und die Lebenszeit des Motors wichtig ist. Entfernen Sie Gras, Schmutz und entflammbare Fremdkörper aus dem Schalldämpferbereich.

11. LAGERUNGSANWEISUNGEN (AUSSERHALB DER SAISON)

Die folgenden Schritte sollten unternommen werden, um den Rasenmäher auf eine Lagerung vorzubereiten.

1. Leeren Sie den Tank nach dem letzten Mähen der Saison.
 - a) Leeren Sie den Benzintank mit einer Ansaugpumpe.



ACHTUNG: Lassen Sie das Benzin nicht in geschlossenen Räumen, in unmittelbarer Nähe von Feuer usw. ab. Rauchen Sie nicht! Benzindämpfe können zu einer Explosion oder einem Brand führen.

- b) Starten Sie den Motor und lassen Sie ihn laufen, bis alles verbliebene Benzin verbraucht ist und er stehen bleibt.
 - c) Entfernen Sie die Zündkerze. Füllen Sie mit einer Ölkanne ca. 20 ml Öl in die Brennkammer. Betätigen Sie den Starter, um das Öl gleichmäßig in der Brennkammer zu verteilen. Setzen Sie die Zündkerze wieder ein.
2. Reinigen und schmieren Sie den Rasenmäher sorgfältig, wie unter „SCHMIERUNGSANWEISUNGEN“ beschrieben.
 3. Schmieren Sie die Schneidfläche zur Vermeidung von Korrosion leicht ein.
 4. Bewahren Sie den Rasenmäher in einem trockenen, sauberen und frostgeschützten Raum außerhalb der Reichweite von unautorisierten Personen auf.



ACHTUNG: Der Motor muss vor der Lagerung des Rasenmähers völlig abgekühlt sein.



HINWEIS:

- Wenn Antriebsaggregate jeglichen Typs in einem unbelüfteten oder Materiallagerhaus gelagert werden.
- Achten Sie auf einen Rostschutz der Maschine. Tragen Sie ein Leichtöl oder Silikon auf die Maschine auf, vor allem auf Kabel und alle sich bewegenden Teile.
- Achten Sie darauf, Kabel nicht zu biegen oder zu knicken.
- Falls das Starterseil von der Seilführung am Griff abgetrennt wird, ziehen Sie das Zündkerzenkabel ab und erden Sie es. Drücken Sie den Schneidklingenregelgriff und ziehen Sie das Starterseil langsam aus dem Motor. Schieben Sie das Starterseil in die Seilführungsbolzen am Griff.

Transport

Stellen Sie den Motor ab, und lassen Sie ihn abkühlen. Ziehen Sie dann das Zündkerzenkabel ab, und entleeren Sie den Kraftstofftank gemäß den Anweisungen im Motorhandbuch. Stellen Sie sicher, dass das Schneidglied nicht verbogen oder beschädigt wird, wenn Sie den Rasenmäher über Hindernisse schieben.

12. PROBLEMBEHEBUNG

| PROBLEM | MÖGLICHE URSACHE | KORREKTURMASSNAHME |
|--|--|--|
| Motor startet nicht. | Gashebel nicht in der richtigen Position für die vorherrschenden Bedingungen. | Bewegen Sie den Gashebel in die richtige Position. |
| | Benzintank ist leer. | Füllen Sie den Tank mit Kraftstoff: siehe MOTOR-BETRIEBSANLEITUNG. |
| | Luftreinigungselement ist verschmutzt. | Reinigen Sie das Reinigungselement: siehe MOTOR-BETRIEBSANLEITUNG. |
| | Zündkerze ist lose. | Ziehen Sie die Zündkerze mit 25 bis 30 Nm fest. |
| | Zündkerzenkabel ist lose oder vom Stecker abgetrennt. | Bringen Sie das Zündkerzenkabel an der Zündkerze an. |
| | Abstand der Zündkerze ist nicht korrekt. | Stellen Sie den Abstand zwischen den Elektroden auf 0,7 bis 0,8 mm ein. |
| | Zündkerze ist defekt. | Installieren Sie eine neue Zündkerze mit korrektem Abstand: siehe MOTOR-BETRIEBSANLEITUNG. |
| | Vergaser ist mit Benzin abgesoffen. | Entfernen Sie das Luftreinigungselement und ziehen Sie das Starterseil kontinuierlich, bis der Vergaser sich selbst leert und setzen Sie das Luftreinigungselement wieder ein. |
| | Defektes Zündungsmodul. | Wenden Sie sich an den Kundendienst. |
| Motor kann nur schwierig gestartet werden oder verliert an Leistung. | Schmutz, Wasser oder abgestandenes Benzin im Tank. | Lassen Sie das Benzin ab und reinigen Sie den Tank. Füllen Sie sauberes und frisches Benzin nach. |
| | Belüftungsloch im Benzintankdeckel ist verstopft. | Reinigen Sie den Tankdeckel oder ersetzen Sie ihn. |
| | Luftreinigungselement ist verschmutzt. | Reinigen Sie das Luftreinigungselement. |
| Motor läuft unstet. | Zündkerze ist defekt. | Installieren Sie eine neue Zündkerze mit korrektem Abstand: siehe MOTOR-BETRIEBSANLEITUNG. |
| | Abstand der Zündkerze ist nicht korrekt. | Stellen Sie den Abstand zwischen den Elektroden auf 0,7 bis 0,8 mm ein. |
| | Luftreinigungselement ist verschmutzt. | Reinigen Sie das Reinigungselement: siehe MOTOR-BETRIEBSANLEITUNG. |
| Motorleerlauf zu gering. | Luftreinigungselement ist verschmutzt. | Reinigen Sie das Reinigungselement: siehe MOTOR-BETRIEBSANLEITUNG. |
| | Luftschlitze in Motorabdeckung sind blockiert. | Entfernen Sie die Fremdkörper aus den Schlitzen. |
| | Kühlamellen und Luftdurchgänge unter dem Gebläsegehäuse des Motors sind blockiert. | Entfernen Sie die Fremdkörper aus den Kühlamellen und Luftdurchgängen. |
| Motor setzt bei hoher Drehzahl aus. | Abstand zwischen Elektroden der Zündkerze ist zu eng. | Stellen Sie den Abstand zwischen den Elektroden auf 0,7 bis 0,8 mm ein. |
| Motor überhitzt. | Kühlluftstrom ist eingeschränkt. | Entfernen Sie alle Fremdkörper aus den Schlitzen in der Abdeckung, Gebläsegehäuse und Luftdurchgängen. |
| | Fehlerhafte Zündkerze. | Installieren Sie die Original-Zündkerze und die Kühlamellen am Motor. |
| Mäher vibriert abnormal. | Schnittbaugruppe ist lose. | Ziehen Sie die Schneidklinge fest. |
| | Schnittbaugruppe ist nicht ausgewuchtet. | Wuchten Sie die Schneidklinge aus. |

13. UMWELT

Sollte Ihre Maschine nach langem Gebrauch ausgetauscht werden, geben Sie diese nicht zum Hausmüll, sondern entsorgen Sie sie umweltfreundlich und sicher.

14. EG-KONFORMITÄTSERKLÄRUNG

Nur für europäische Länder

Die EG-Konformitätserklärung ist als Anhang A in dieser Bedienungsanleitung enthalten.

Spiegazione della vista generale

- | | | |
|---------------------------------------|---------------------------------------|--|
| 1. Impugnatura di comando del freno | 8. Sacco raccogliherba | 18. Leva di regolazione della velocità |
| 2. Impugnatura superiore | 9. Leva di regolazione in altezza | 19. Cuneo di pacciatura |
| 3. Impugnatura di controllo semovenza | 10. Canale di scarico laterale | 20. Pulsante |
| 4. Leva del dispositivo di avviamento | 11. Aletta laterale | 21. Asta di livello/Tappo dell'olio |
| 5. Impugnatura di avviamento | 12. Corpo | 22. Max: limite superiore |
| 6. Guida della corda | 13. Candela | 23. Min: limite inferiore |
| 7. Manopola di blocco | 14. Tappo del serbatoio di carburante | 24. Linguetta |
| | 15. Tappo dell'olio | 25. Coperchio del filtro |
| | 16. Serracavo | |
| | 17. Impugnatura inferiore | |



AVVERTENZA:

Per la propria sicurezza, l'operatore deve leggere questo manuale prima di cercare di far funzionare la nuova unità. La mancata osservanza delle istruzioni può causare gravi infortuni. Dedicate qualche momento per familiarizzarsi con il rasaerba prima di ogni uso. Conservare questo manuale in un luogo sicuro, in modo da avere sempre disponibili le sue informazioni. Dando la macchina a terzi, consegnare anche queste istruzioni per l'uso e le norme per la sicurezza.

Utilizzo designato

Questa macchina può essere usata soltanto per i lavori per i quali è stata progettata. Qualsiasi altro utilizzo viene considerato come un caso di uso scorretto. Per ogni danno o incidente conseguente da ciò è responsabile l'utilizzatore/operatore, e non il produttore.

Questo rasaerba a benzina è inteso per l'uso privato, e cioè per l'utilizzo in ambienti e giardini domestici.

L'utilizzo privato del rasaerba si riferisce a un tempo operativo annuo che non superi generalmente le 50 ore, durante il quale la macchina viene principalmente usata per la manutenzione di piccoli prati residenziali e come hobby personale di giardinaggio. È escluso l'impiego per gli impianti pubblici, sportivi e le applicazioni agricole/forestali.

Tenere presente che questa macchina non è stata progettata per l'impiego nelle attività commerciali, economiche o industriali. La garanzia si invalida se la macchina viene usata nelle attività commerciali, economiche, industriali, o per scopi simili.

Le istruzioni per l'uso fornite dal produttore devono essere conservate e consultate per assicurare che il rasaerba venga utilizzato e mantenuto correttamente. Le istruzioni contengono informazioni molto utili per le condizioni di utilizzo, manutenzione e assistenza.

Importante! A causa del grande rischio di incidenti per l'operatore, il rasaerba non deve essere usato per cimare i cespugli, i bordi o gli arbusti, o per tagliare i rampicanti, i tetti piantati o l'erba cresciuta sui balconi, per pulire (aspirare) lo sporco e frammenti nei vialetti, oppure per fare a pezzi i tronchi d'albero o per la bordatura. Inoltre, il rasaerba non deve essere usato come coltivatore motorizzato per spianare le elevazioni, quali i rialzi di terra delle talpe.

Per motivi di sicurezza, il rasaerba non deve essere usato come fonte di alimentazione di altri utensili, o kit di attrezzi di qualsiasi tipo.

1. SIMBOLI PRESENTI SUL PRODOTTO (sul coperchio posteriore)



Consultare il manuale dell'operatore.



Tenere lontani gli astanti.



Prestare particolare attenzione a mani e piedi dell'operatore per evitare infortuni.



Il carburante è infiammabile; conservarlo a distanza di sicurezza dalle fiamme. Non aggiungere carburante quando la macchina è in funzione.



Fumi tossici; non utilizzare al chiuso.



Durante la rasatura, indossare occhiali e tappi per le orecchie a scopo di protezione.



Durante la riparazione, togliere la candela e procedere alla riparazione attenendosi al manuale di istruzioni.



Attenzione: il motore è caldo.

2. NORME GENERALI DI SICUREZZA



AVVERTENZA: Durante l'uso di macchine a benzina, è necessario adottare tutte le precauzioni di base per la sicurezza, comprese quelle indicate di seguito, per ridurre il rischio di gravi infortuni e/o danni all'unità. Leggere tutte le istruzioni prima di azionare il prodotto e conservarle per successive consultazioni.



AVVERTENZA: La macchina produce un campo elettromagnetico quando è in uso. In alcune circostanze il campo potrebbe interferire con impianti medicali attivi o passivi. Per ridurre il rischio di incidenti gravi o mortali, si raccomanda alle persone con impianti medicali di consultare il proprio medico e il produttore dell'impianto medicale prima di utilizzare questa macchina.

Addestramento

- Leggere attentamente le istruzioni. Acquisire familiarità con i comandi e con l'uso corretto dell'apparecchiatura. Imparare ad arrestare rapidamente il motore.
- Utilizzare il rasaerba esclusivamente per lo scopo per cui è stato progettato, cioè il taglio e la raccolta dell'erba. Eventuali altri utilizzi possono essere pericolosi e causare danni alla macchina. Rientrano nell'uso improprio (come esempio, ma non solo):
 - trasportare sulla macchina persone, bambini o animali;
 - farsi trasportare dalla macchina;
 - usare la macchina per trainare o spingere carichi;
 - usare la macchina per la raccolta di foglie o detriti;
 - usare la macchina per potare siepi, o per il taglio di vegetazione di tipo non erboso;
 - utilizzare la macchina in più di una persona;
 - azionare la lama nei tratti non erbosi.
- Non permettere che il rasaerba venga utilizzato da bambini o da persone che non abbiano dimestichezza con le presenti istruzioni. Le leggi locali possono fissare un'età minima per l'utilizzatore.
- Non utilizzare mai il rasaerba:
 - in presenza di persone, in particolare bambini, o animali nelle vicinanze;
 - se l'utilizzatore ha assunto farmaci o sostanze che possono alterare le sue capacità di riflesso e attenzione.
- Tenere presente che l'operatore o l'utilizzatore è responsabile di incidenti o pericoli che possono riguardare altre persone o le loro proprietà.
- Gli operatori devono ricevere il corretto addestramento per l'uso, la regolazione e il funzionamento della macchina, operazioni proibite comprese.

Preparazione

- Durante la rasatura, indossare sempre calzature robuste e pantaloni lunghi. Non utilizzare l'apparecchio a piedi nudi o se si indossano sandali aperti.
- Ispezionare a fondo l'area dove si intende usare la macchina, e rimuovere tutti gli oggetti, come pietre, giocattoli, stecchi e fili elettrici, che possono essere scagliati dalla macchina.

- **AVVERTENZA:** la benzina è altamente infiammabile.
 - Conservare il carburante in contenitori progettati specificamente per questo scopo.
 - Eseguire il rifornimento all'aperto e non fumare durante il rifornimento.
 - Aggiungere il carburante prima di avviare il motore. Non rimuovere il tappo del serbatoio di carburante e non aggiungere benzina mentre il motore è in funzione o se il motore è caldo.
 - In caso di fuoriuscite di benzina, non avviare il motore, ma allontanare la macchina dall'area della fuoriuscita ed evitare di creare fonti di accensione fino alla completa dissipazione dei vapori della benzina.
 - Riapplicare correttamente i tappi del serbatoio di carburante e del contenitore.
- Sostituire le marmite difettose.
- Prima dell'uso, ispezionare visivamente la macchina per controllare che le lame, i bulloni e il gruppo di taglio non siano usurati o danneggiati. Sostituire le lame e i bulloni usurati o danneggiati in gruppi per mantenere l'equilibratura.
- Controllare regolarmente per accertarsi che tutti i comandi di avviamento asservito e di presenza dell'operatore funzionino correttamente.

Funzionamento

- Non azionare il motore in uno spazio limitato, dove potrebbero raccogliersi i pericolosi fumi del monossido di carbonio.
- L'operatore non deve usare la macchina se è stanco, malato o sotto l'influsso di alcol o medicinali.
- Avvertimento! Il rasaerba non deve essere usato quando c'è pericolo di fulmini.
- Si consiglia di limitare la durata delle operazioni, per minimizzare i rischi di rumori e vibrazioni.
- Fare attenzione quando si usa il rasaerba sui pendii e vicino a discese ripide, fossi o argini.
- Utilizzare il rasaerba solamente alla luce del giorno o con buona luce artificiale.
- Se possibile, evitare di utilizzare l'apparecchiatura su erba bagnata.
- Accertarsi sempre del proprio punto d'appoggio sui terreni in pendenza.
- Camminare, senza correre.
- Per le macchine dotate di ruote, procedere in senso trasversale al pendio e mai su e giù.
- Prestare la massima attenzione ai cambi di direzione sui pendii.
- Non utilizzare il rasaerba su pendii eccessivamente ripidi.
- Prestare particolare attenzione durante i cambi di direzione o quando si tira il rasaerba verso di sé.
- Fermare la lama (o le lame) se il rasaerba deve essere inclinato per il trasporto, nell'attraversare superfici non erbose e quando il rasaerba viene trasportato da o verso l'area che deve essere tagliata.
- Non azionare mai il rasaerba se le protezioni sono difettose oppure in assenza di dispositivi di sicurezza, ad esempio i deflettori e/o i sacchi raccogliherba.
- Attenzione: Il rasaerba non deve essere usato senza l'intero raccogliherba o la protezione dell'apertura di scarico a chiusura automatica in posizione.

- Non cambiare le impostazioni di funzionamento del motore e non sovraccaricare il motore.
 - Non alterare o manomettere un qualsiasi dispositivo sigillato di regolazione per il controllo della velocità del motore.
 - I sistemi o le funzioni di sicurezza del rasaerba non devono essere manomessi o disattivati.
 - Disinnescare la frizione della lama e di azionamento prima di avviare il motore.
 - Avviare attentamente il motore, attenendosi alle istruzioni e tenendo i piedi a distanza dalle lame.
 - Non inclinare il rasaerba durante l'avviamento del motore.
 - Non avviare il motore rimanendo in piedi davanti al convogliatore di scarico.
 - Non avvicinare mani e piedi alle parti rotanti o alle aree sottostanti. Rimanere sempre lontani dall'apertura di scarico.
 - Non sollevare o trasportare il rasaerba quando il motore è in funzione.
 - Spegnerne il motore e scollegare il filo della candela, assicurarsi che tutte le parti in movimento si siano completamente fermate e, se presente, rimuovere la chiave:
 - prima di rimuovere le ostruzioni o di disintasarne il convogliatore;
 - prima di controllare, pulire o lavorare sul rasaerba;
 - dopo aver colpito un corpo estraneo. Verificare eventuali danni sul rasaerba ed effettuare le necessarie riparazioni prima di usare nuovamente la macchina;
 - se il rasaerba inizia a vibrare in modo anomalo (eseguire un controllo immediato).
 - Spegnerne il motore e scollegare il filo della candela, assicurarsi che tutte le parti in movimento si siano completamente fermate e, se presente, rimuovere la chiave:
 - quando si lascia incustodito il rasaerba;
 - prima del rifornimento.
 - Ridurre l'impostazione dell'acceleratore durante lo spegnimento del motore e, se il motore è dotato di una valvola di intercettazione, chiudere l'ingresso del carburante alla fine della rasatura.
 - Utilizzate il rasaerba esclusivamente per lo scopo al quale è destinato, cioè il taglio e la raccolta dell'erba. Eventuali altri utilizzi possono essere pericolosi e causare danni alla macchina.
- Controllare di frequente il sacco raccogliherba per verificarne l'usura o il deterioramento.
 - Sostituire le parti usurate o danneggiate per garantire la sicurezza.
 - Se fosse necessario svuotare il serbatoio di carburante, svolgere l'operazione all'aperto.
 - La manutenzione sbagliata, l'impiego di ricambi inadatti, o la rimozione o modifica dei dispositivi di sicurezza, possono danneggiare il rasaerba e causare un serio incidente all'operatore.
 - Usare soltanto le lame e i ricambi consigliati dal produttore. L'impiego di parti non genuine può danneggiare la macchina e causare un incidente all'operatore. Mantenere il rasaerba in buone condizioni di funzionamento.
 - Se il dispositivo di arresto della lama non funziona, rivolgersi al Centro di Assistenza.

Trasporto e movimentazione

- Ogni volta che è necessario spostare, sollevare, trasportare o inclinare la macchina occorre:
 - indossare robusti guanti da lavoro;
 - afferrare la macchina in punti che offrano una presa sicura, tenendo conto del peso e della sua ripartizione;
 - impiegare un numero di persone adeguato al peso della macchina e alle caratteristiche del mezzo di trasporto o del posto nel quale deve essere collocata o prelevata.
- Durante il trasporto, assicurare adeguatamente la macchina mediante funi o catene.



AVVERTENZA: Non toccare le lame in rotazione.



AVVERTENZA: Eseguire il rifornimento in un'area ventilata a motore spento.

3. DESCRIZIONE DELLE PARTI (Fig. 1)

Compresi

A: Chiave della candela

Manutenzione e conservazione

- Mantenere serrati dadi, bulloni e viti per garantire che l'apparecchiatura sia in condizioni di funzionamento sicure.
- Non conservare un'apparecchiatura il cui serbatoio contenga benzina all'interno di un edificio in cui i fumi possono entrare a contatto con fiamme libere o scintille.
- Lasciare raffreddare il motore prima di riporre la macchina in un ambiente chiuso. Eseguire la pulizia e la manutenzione del rasaerba prima del suo magazzinaggio.
- Per ridurre il pericolo di incendi, rimuovere dal motore, dalla marmitta, dal vano batteria e dal serbatoio di benzina eventuali residui di erba, foglie o grasso in eccesso.

4. DATI TECNICI

| Modello | PLM5600N2 |
|---------------------------------------|------------------------------|
| Tipo di motore | Serie B&S 675EXI, ReadyStart |
| Semovente | Sì |
| Cilindrata del motore | 163 cm ³ |
| Potenza nominale | 2,6 kW |
| Larghezza della lama | 560 mm |
| Velocità nominale | 2.800/min |
| Capacità del serbatoio del carburante | 1,0 L |
| Capacità del serbatoio dell'olio | 0,47 L |
| Capacità del sacco raccogliherba | 70 L |
| Peso netto | 37,2 kg |
| Regolazione in altezza | 25-70 mm, 8 regolazioni |

| Modello | PLM5600N2 |
|--|---|
| Livello di pressione Sonora garantito nella posizione dell'operatore (conformemente a EN ISO 5395-1 Allegato F e EN ISO 5395-2, EN ISO 4871) | 88,5 dB (A) (K=3 dB (A)) |
| Livello di potenza sonora misurato Livello di potenza sonora garantito (in base a 2000/14/CE) | 96,3 dB (A) K=1,86 dB (A) 98 dB (A) |
| Vibrazioni (Conformemente a EN ISO 5395-1 Allegato G e EN ISO 5395-2) | 7,90 m/s ² K=1,5 m/s ² |

5. MONTAGGIO

5-1 MONTAGGIO DELL'IMPUGNATURA RIPIEGABILE

1. Fissare l'impugnatura inferiore al supporto dell'impugnatura mediante bulloni, rondelle e la manopola di blocco. (Fig. 2, Fig. 3)
2. Collegare l'impugnatura superiore e l'impugnatura inferiore alla manopola di blocco. (Fig. 4, Fig. 5)
3. Posizionare il cavo intorno al foro della parte centrale dell'albero dell'impugnatura inferiore. Fissarlo utilizzando il serracavo e assicurarsi che il cavo sia fissato intorno all'esterno dell'impugnatura. (Fig. 6) In caso contrario, il cavo potrebbe impigliarsi durante l'apertura o la chiusura del coperchio posteriore.

5-2 REGOLAZIONE DELL'ALTEZZA APPROPRIATA DELL'IMPUGNATURA

- 1) Svitare la manopola di blocco che fissa l'impugnatura inferiore.
- 2) Spostare l'impugnatura inferiore su e giù e regolarla all'altezza appropriata. Su questo tipo di rasaerba è possibile scegliere tra 3 altezze di regolazione, nella posizione di altezza 1, l'impugnatura inferiore al suolo è la più alta, mentre nella posizione di altezza 3, l'impugnatura inferiore al suolo è la più bassa. (Fig. 7)

- 3) Dopo aver regolato l'impugnatura inferiore all'altezza appropriata, fissarla con la manopola di blocco. (Fig. 8)

5-3 MONTAGGIO E SMONTAGGIO DEL SACCO RACCOGLIERBA

1. Per il montaggio: sollevare il coperchio posteriore e attaccare il sacco raccogliherba nella parte posteriore del rasaerba. (Fig. 9, Fig. 10)
2. Per la rimozione: afferrare e sollevare il coperchio posteriore, quindi rimuovere il sacco raccogliherba.

5-4 IMPUGNATURA DI AVVIAMENTO

Spostare l'impugnatura di avviamento dal motore alla guida della corda. (Fig. 11)

5-5 ALTEZZA DI TAGLIO

Applicare una pressione verso l'esterno per sganciare la leva dal binario. Spostare la leva avanti o indietro per regolare l'altezza. (Fig. 12; vedere paragrafi 7-9)

6. FUNZIONE

Questi rasaerba possono essere modificati rispetto alla loro normale funzione, in base alla finalità applicativa.

Da rasaerba con raccolta posteriore a:

1. rasaerba per pacciamatura o
2. rasaerba con scarico laterale.

Che cos'è la pacciamatura?

Durante la pacciamatura, l'erba viene tagliata in un singolo passaggio, quindi viene tritata finemente e riversata sulla striscia di terreno per essere usata come fertilizzante naturale.

Suggerimenti per la rasatura con pacciamatura:

- Eseguire regolarmente un taglio di 2 cm al massimo, per un'altezza dell'erba da 6 cm a 4 cm.
- Utilizzare una lama di taglio affilata.
- Non utilizzare il rasaerba sull'erba bagnata.
- Impostare la velocità massima del motore.
- Procedere esclusivamente al normale ritmo di lavoro.
- Pulire regolarmente il cuneo di pacciamatura, i lati interni dell'alloggiamento e la lama di rasatura.

Operazioni preliminari

6-1 Modifica per rasaerba per pacciamatura



AVVERTENZA: Eseguire l'operazione solo quando il motore è spento e la lama è ferma.

1. Sollevare il coperchio posteriore e rimuovere il sacco raccogliherba.
2. Spingere il cuneo di pacciamatura nel corpo della macchina. Bloccare il cuneo di pacciamatura utilizzando il pulsante nell'apertura del corpo. (Fig. 13, Fig. 14)
3. Abbassare nuovamente il coperchio posteriore. (Fig. 15)
4. Sollevare l'aletta laterale e rimuovere il canale di scarico laterale.

6-2 Reimpostazione per rasatura con scarico laterale



Eseguire l'operazione solo quando motore e taglio sono arrestati!

1. Sollevare il coperchio posteriore e rimuovere il sacco raccogliherba.
2. Spingere il cuneo di pacciamatura nel corpo della macchina. Bloccare il cuneo di pacciamatura utilizzando il pulsante nell'apertura del corpo.
3. Sollevare l'aletta laterale per scaricamento laterale. (Fig. 16)
4. Montare il canale di scarico laterale per scaricamento laterale sul perno di supporto dell'aletta laterale. (Fig. 17)
5. Abbassare l'aletta laterale (l'aletta si trova sul canale di scarico laterale). (Fig. 18)

6-3 Rasatura con il sacco raccogliherba



AVVERTENZA: Eseguire l'operazione solo quando motore e taglio sono arrestati.

Per eseguire la rasatura con il sacco raccogliherba, rimuovere il cuneo per pacciamatura e il canale di scarico laterale per scaricamento laterale, quindi montare il sacco raccogliherba.

1. Rimuovere il cuneo per pacciamatura.
 - Sollevare il coperchio posteriore e rimuovere il cuneo per pacciamatura.
2. Rimozione del canale di scarico per lo scarico laterale.
 - Sollevare l'aletta laterale e rimuovere il canale di scarico laterale.
 - L'aletta laterale chiude automaticamente l'apertura di scarico sull'alloggiamento mediante un azionamento a molla.
 - Pulire a intervalli regolari le sagome dell'aletta laterale e dell'apertura di scarico da residui di erba e terra rimasta incastrata.
3. Montare il sacco raccogliherba.
 - Sollevare il coperchio posteriore e attaccare il sacco raccogliherba nella parte posteriore del rasoerba.

7. ISTRUZIONI PER L'USO

7-1 PRIMA DELLA MESSA IN FUNZIONE

Rifornire il motore di benzina e olio come indicato nel manuale del motore in dotazione con il rasoerba. Leggere attentamente le istruzioni. (Fig. 19, Fig. 20, Fig. 21)



AVVERTENZA: la benzina è altamente infiammabile.

Conservare il carburante in contenitori progettati specificamente per questo scopo.

Eseguire il rifornimento all'aperto, prima di avviare il motore, e non fumare durante il rifornimento o mentre si maneggia il carburante.

Non rimuovere il tappo del serbatoio di carburante e non aggiungere benzina mentre il motore è in funzione o se il motore è caldo.

In caso di fuoriuscite di benzina, non avviare il motore, ma allontanare la macchina dall'area della fuoriuscita ed evitare di creare fonti di accensione fino alla completa dissipazione dei vapori della benzina.

Riapplicare correttamente i tappi del serbatoio di carburante e del contenitore.

Prima di inclinare il rasoerba per eseguire la manutenzione della lama o per drenare l'olio, rimuovere il carburante dal serbatoio.



AVVERTENZA: Non riempire il serbatoio di carburante in ambienti chiusi, con il motore in funzione o se non sono trascorsi almeno 15 minuti dall'ultimo utilizzo per consentire il raffreddamento del motore.

7-2 AVVIARE IL MOTORE E INNESTARE LA LAMA

1. L'unità è dotata di un mantice in gomma all'estremità della candela; assicurarsi che l'anello in metallo all'estremità del filo della candela (all'interno del mantice in gomma) sia serrato correttamente sulla punta in metallo della candela.
2. Quando si intende avviare il motore a freddo o a caldo, ruotare la leva dell'acceleratore in una qualsiasi posizione tra le posizioni "☁" e "☁☁". Durante il funzionamento, ruotare la leva dell'acceleratore sulla posizione "☁☁". (Fig. 22)
3. Rimanendo dietro l'unità, afferrare l'impugnatura di comando del freno e tenerla contro l'impugnatura superiore, come mostrato nella Fig. 23.
4. Afferrare l'impugnatura di avviamento come mostrato nella Fig. 23 e tirarla rapidamente verso l'alto. Riportarla lentamente verso il bullone della guida della corda dopo l'avviamento del motore.

Rilasciare l'impugnatura di comando del freno per spegnere il motore e fermare la lama.



Avviare attentamente il motore, attenendosi alle istruzioni e tenendo i piedi a distanza dalla lama.



Non inclinare il rasoerba durante l'avviamento del motore. Avviare il rasoerba su una superficie in piano, in cui non vi siano erba alta e ostacoli.



Tenere mani e piedi lontano dalle parti in rotazione. Non avviare il motore rimanendo in piedi davanti all'apertura di scarico.

7-3 PROCEDURE OPERATIVE

Durante l'uso, tenere saldamente l'impugnatura di comando del freno con entrambe le mani.



Nota: durante l'uso, se si rilascia l'impugnatura di comando del freno, il motore si spegne e il rasoerba smette di funzionare.



Avvertenza: Per evitare qualsiasi avviamento accidentale, il tosaerba è dotato di un freno del motore, che deve essere tirato indietro prima di poter avviare il motore. Quando la leva di comando del motore viene rilasciata, deve tornare sulla sua posizione iniziale e, a questo punto, il motore si spegne automaticamente.



Nota: Freno del motore (impugnatura del freno): Usare la leva per fermare il motore. Quando si rilascia la leva, il motore e la lama si fermano automaticamente. Per rasare l'erba, tenere la leva sulla posizione di lavoro. Prima di cominciare a rasare l'erba, controllare diverse volte la leva di avviamento/arresto per accertarsi che funzioni correttamente. Accertarsi che la tensione del cavo ne permetta il funzionamento normale (e cioè che non sia in alcun modo impigliato o attorcigliato).

7-4 PER SPEGNERE IL MOTORE



ATTENZIONE: La lama continua a ruotare per qualche secondo dopo lo spegnimento del motore.

1. Rilasciare l'impugnatura di comando del freno per spegnere il motore e fermare la lama. (Fig. 24)
2. Per evitare l'avviamento accidentale dell'apparecchiatura incustodita, scollegare e collegare a terra il filo della candela, come indicato nel manuale del motore.

7-5 COLLEGAMENTO PER SEMOVENZA

Il rasaerba è dotato di un sistema di regolazione della velocità che consente di regolare la velocità su 3 diversi regimi: da 3,0 km/h a 4,5 km/h.

Posizione "☁": la velocità minima; posizione "☁→": la velocità massima. (Fig. 25)

Di seguito, la relativa procedura:

1. Rilasciare l'impugnatura di controllo semovenza fino a che il rasaerba non smette di avanzare.
2. Regolare la velocità sul regime desiderato.
3. Afferrare l'impugnatura di controllo semovenza per riprendere la rasatura. (Fig. 26)



ATTENZIONE: Il rasaerba è progettato per tagliare l'erba di un normale prato domestico di altezza non superiore ai 250 mm.

Non tentare di utilizzare su erba, asciutta o bagnata, particolarmente alta (ad esempio, foraggio) o su cumuli di foglie secche. I residui possono accumularsi sul corpo del rasaerba o venire a contatto con i gas di scarico del motore, con conseguente pericolo di incendio.

7-6 PER MIGLIORI RISULTATI DURANTE LA RASATURA

Eliminare eventuali detriti dal prato. Assicurarsi che sul prato non siano presenti pietre, bastoni, fili o altri corpi estranei che potrebbero essere accidentalmente scagliati dal rasaerba in qualsiasi direzione, causando gravi infortuni all'operatore e ad altre persone, nonché danni alle cose e agli oggetti circostanti. Non tagliare l'erba bagnata. Per una rasatura efficace, evitare di tagliare

l'erba bagnata che tende ad aderire alla parte inferiore del corpo della macchina, impedendo una corretta rasatura dell'erba tagliata. Non tagliare l'erba per più di 1/3 della sua lunghezza. La profondità di taglio consigliata per la rasatura è pari a 1/3 della lunghezza dell'erba. La velocità a terra deve essere regolata in modo che l'erba tagliata possa spargersi in modo uniforme sul prato. Per il taglio di erba particolarmente spessa potrebbe essere necessario utilizzare una delle velocità più basse per ottenere una rasatura corretta. Durante la rasatura di erba lunga, potrebbe essere necessario tagliare il prato in due passaggi, abbassando la lama di un altro terzo della lunghezza dell'erba per il secondo taglio e magari procedendo in una direzione diversa rispetto al primo taglio. Sovrapporre leggermente il taglio ad ogni passaggio per ripulire eventuali frammenti rimasti sul prato. Il rasaerba deve essere sempre utilizzato alla massima accelerazione per ottenere il taglio migliore e consentire una rasatura efficace. Pulire la parte inferiore del corpo della macchina. Pulire la parte inferiore del corpo di taglio dopo ogni utilizzo per evitare accumuli d'erba che impedirebbero una pacciamatura corretta. Rasatura di foglie. Anche la rasatura delle foglie può risultare vantaggiosa per il prato. Durante questo tipo di rasatura, assicurarsi che le foglie siano asciutte e che lo strato sul prato non sia troppo spesso. Non attendere la caduta di tutte le foglie dagli alberi prima di eseguire la rasatura.



AVVERTENZA: Nel caso venisse colpito un corpo estraneo, spegnere il motore, staccare il filo dalla candela, ispezionare scrupolosamente il rasaerba alla ricerca di danni ed eventualmente riparare il danno prima di rimettere in funzione il rasaerba. Un'eccessiva vibrazione del rasaerba durante l'uso è indice di danni. L'unità deve essere prontamente ispezionata e riparata.

7-7 SACCO RACCOGLIERBA

Sul coperchio posteriore è presente una finestra trasparente dalla quale è possibile vedere le condizioni dell'erba nel sacco raccogliherba. Se il sacco raccogliherba è pieno, svuotarlo e accertarsi che sia pulito e che il suo reticolato sia ventilato. (Fig. 27)

7-8 CORPO

Il lato inferiore del corpo del rasaerba deve essere pulito dopo ogni utilizzo per evitare l'accumulo di frammenti di erba, foglie, sporcizia e altri corpi estranei. Un accumulo di residui può portare alla ruggine e alla corrosione, impedendo una corretta pacciamatura. Il corpo può essere pulito inclinando il rasaerba e raschiandolo con un utensile adatto (assicurarsi che il filo della candela sia scollegato).

7-9 ISTRUZIONI PER LA REGOLAZIONE IN ALTEZZA



ATTENZIONE: Non eseguire mai regolazioni sul rasaerba senza aver prima spento il motore e scollegato il filo della candela.



ATTENZIONE: Prima di cambiare l'altezza di rasatura, spegnere il rasaerba e scollegare il filo della candela.

Il rasaerba è dotato di una leva di regolazione in altezza centrale che consente di impostare 8 posizioni di altezza.

1. Spegnerlo il rasaerba e scollegare il filo della candela prima di cambiare l'altezza di taglio della macchina.
2. La leva di regolazione in altezza centrale consente di impostare 8 diverse posizioni di altezza.

Per cambiare l'altezza di taglio, premere la leva di regolazione verso la ruota, alzandola o abbassandola all'altezza desiderata.

Tutte le ruote assumeranno la stessa altezza di taglio. (Fig. 28)

8. ISTRUZIONI PER LA MANUTENZIONE

CANDELA

Sostituire solo con candele originali. Per i migliori risultati, sostituire la candele ogni 100 ore di funzionamento.

PASTIGLIE DEL FRENO

Far controllare e/o sostituire regolarmente le pastiglie del freno presso un Centro di Assistenza usando soltanto ricambi genuini.

9. ISTRUZIONI PER LA LUBRIFICAZIONE



ATTENZIONE: SCOLLEGARE LA CANDELA PRIMA DI ESEGUIRE LA MANUTENZIONE.

1. RUOTE - Lubrificare i cuscinetti a sfera di ogni ruota almeno una volta per stagione, utilizzando un olio leggero.
2. MOTORE - Attenersi alle istruzioni per la lubrificazione nel manuale del motore.

10. PULIZIA



ATTENZIONE: Non lavare il motore. L'acqua può danneggiare il motore o contaminare l'impianto di combustione.

1. Pulire il corpo con un panno asciutto.
2. Lavare la parte inferiore del corpo inclinando il rasaerba in modo che la candela sia in alto.

10-1 FILTRO DELL'ARIA DEL MOTORE



ATTENZIONE: Evitare che sporcizia e polvere ostruiscano l'elemento in gommapiuma del filtro dell'aria. Il filtro dell'aria del motore deve essere sottoposto a manutenzione (pulizia) ogni 25 ore di rasatura normale. L'elemento in gommapiuma deve essere sottoposto a manutenzione periodica se il rasaerba è utilizzato in ambienti asciutti molto polverosi.

PER PULIRE IL FILTRO DELL'ARIA

1. Sollevare la linguetta sul coperchio del filtro. (Fig. 29)
2. Rimuovere il coperchio del filtro.
3. Lavare l'elemento filtrante in acqua e sapone. **NON UTILIZZARE BENZINA.**
4. Lasciare asciugare all'aria l'elemento filtrante.
5. Versare alcune gocce di olio SAE30 sul filtro in gommapiuma e strizzarlo bene per rimuovere l'olio in eccesso.
6. Riapplicare il filtro.
7. Chiudere il coperchio del filtro.

NOTA: il filtro deve essere sostituito se è sfilacciato, lacerato, danneggiato o se non può essere pulito.

10-2 LAMA DI TAGLIO



ATTENZIONE: Per evitare l'avvio accidentale del motore, staccare e collegare a terra il filo della candela prima di intervenire sulla lama di taglio. Proteggere le mani utilizzando guanti spessi o stracci per afferrare le lame di taglio. Inclinare il rasaerba come specificato nel manuale del motore. Rimuovere il bullone esagonale e la rondella che fissano la lama e l'adattatore della lama all'albero a gomiti del motore. Rimuovere la lama e l'adattatore dall'albero a gomiti.



AVVERTENZA: Ispezionare periodicamente l'adattatore della lama per ricercare eventuali crepe, in particolare se è stato colpito un corpo estraneo. Sostituire se necessario.

Per i migliori risultati la lama deve essere affilata. Per affilare la lama è possibile rimuoverla e molare o limare il tagliente mantenendo il più possibile la smussatura originale. È particolarmente importante che ogni tagliente riceva una molatura identica per evitare che la lama non sia bilanciata. Un'equilibratura errata della lama può comportare la comparsa di vibrazioni eccessive in grado di danneggiare il motore e il rasaerba. Bilanciare attentamente la lama dopo l'affilatura. L'equilibratura della lama può essere verificata bilanciandola su un cacciavite a manico rotondo. Rimuovere il metallo dal lato più pesante fino a ottenere l'equilibrio. (Fig. 30)

Prima di rimontare la lama e l'adattatore della lama sull'unità, lubrificare l'albero a gomiti del motore e la superficie interna dell'adattatore della lama con olio leggero. Inserire l'adattatore della lama sull'albero a gomiti. Vedere la Fig. 30. Posizionare la lama con il numero di componente rivolto nella direzione opposta rispetto all'adattatore. Allineare la rondella alla lama e inserire il bullone esagonale. Serrare il bullone esagonale alla coppia elencata di seguito.

10-3 COPPIA DI MONTAGGIO DELLA LAMA

Bullone centrale 40 Nm - 50 Nm, per garantire un funzionamento sicuro dell'unità. È necessario controllare periodicamente TUTTI i dadi e i bulloni per verificare che siano serrati correttamente.

A seguito di un uso prolungato, in particolare se il terreno è sabbioso, la lama si usura e perde la sua forma originale. L'efficienza di taglio si riduce ed è necessario sostituire la lama. Eseguire la sostituzione solo con una

lama approvata dalla fabbrica. Eventuali danni derivanti da una condizione di squilibrio della lama non potranno essere imputati al produttore.
Durante la sostituzione della lama, utilizzare il tipo originale indicato sulla lama stessa (MAKITA 263001171). Per ordinare la lama, rivolgersi al rivenditore di zona o contattare l'azienda, vedere copertina).

10-4 MOTORE

Consultare il manuale del motore per avere istruzioni sulla manutenzione del motore.

Eseguire la manutenzione dell'olio motore come indicato nel manuale del motore in dotazione con l'unità. Leggere e seguire attentamente le istruzioni.

In condizioni normali, eseguire la manutenzione del filtro dell'aria come indicato nel manuale del motore.

Eseguire la pulizia ogni poche ore in ambienti particolarmente polverosi. La riduzione delle prestazioni del motore e l'ingolfamento solitamente indicano la necessità di procedere alla manutenzione del filtro dell'aria.


Per eseguire la manutenzione del filtro dell'aria, consultare il manuale del motore in dotazione con l'unità. Una volta per stagione è necessario pulire la candela e ripristinare il gap. Si consiglia di sostituire la candela all'inizio di ogni stagione di rasatura; consultare il manuale del motore per conoscere il tipo di candela necessario e le specifiche sul gap.

Pulire regolarmente il motore con un panno o un pennello. Mantenere pulito l'impianto di raffreddamento (area di alloggiamento del soffiante) per consentire una corretta ventilazione, fondamentale per le prestazioni e la durata del motore. Rimuovere tutta l'erba, la sporcizia e i residui combustibili dall'area della marmitta.

11. ISTRUZIONI PER LA CONSERVAZIONE (FUORI STAGIONE)

Eseguire le operazioni indicate di seguito per preparare il rasaerba prima di riporlo.

1. Svuotare il serbatoio dopo l'ultima rasatura di stagione.
 - a) Svuotare il serbatoio della benzina con una pompa aspirante.

 **ATTENZIONE:** Non svuotare il serbatoio della benzina in ambienti chiusi, in prossimità di fiamme libere, ecc. Non fumare. I vapori della benzina possono causare incendi o esplosioni.

- b) Avviare il motore e lasciarlo acceso fino a consumare tutta la benzina residua, facendolo entrare in stallo.
 - c) Staccare la candela. Versare da una lattina circa 20 ml d'olio nella camera di combustione. Azionare il motorino di avviamento per distribuire uniformemente l'olio nella camera di combustione. Sostituire la candela.
2. Pulire e ingrassare il rasaerba con attenzione, come descritto precedentemente nella sezione "ISTRUZIONI PER LA LUBRIFICAZIONE".
 3. Ingrassare leggermente la lama per prevenire la corrosione.

4. Riporre il rasaerba in un luogo asciutto, pulito e al riparo dal gelo, fuori dalla portata di persone non autorizzate.



ATTENZIONE: Prima di riporre il rasaerba, lasciar raffreddare completamente il motore.



NOTA:

- Durante la conservazione di qualsiasi tipo di apparecchiatura elettrica in un ambiente non ventilato o in una rimessa per materiali:
- Prendere le precauzioni necessarie per impedire la comparsa di ruggine sull'apparecchiatura. Rivestire l'apparecchiatura con un olio leggero o con del silicone, prestando particolare attenzione ai cavi e a tutte le parti in movimento.
- Evitare di piegare o attorcigliare i cavi.
- Se la corda di avviamento si stacca dalla guida della corda sull'impugnatura, scollegare e collegare a terra il filo della candela, premere l'impugnatura di controllo della lama ed estrarre lentamente la corda di avviamento dal motore. Inserire la corda di avviamento nel bullone della guida della corda sull'impugnatura.

Trasporto

Spegner il motore e lasciarlo raffreddare. Staccare poi il filo della candela e svuotare il serbatoio della benzina secondo le istruzioni del manuale del motore. Accertarsi di non deformare o danneggiare la lama quando si spinge il rasaerba sopra degli ostacoli.

12. RISOLUZIONE DEI PROBLEMI

| PROBLEMA | CAUSA PROBABILE | INTERVENTO RISOLUTIVO |
|--|---|--|
| Il motore non si avvia. | La leva di regolazione dell'acceleratore non è in posizione corretta per le condizioni dominanti. | Spostare la leva di regolazione dell'acceleratore nella posizione corretta. |
| | Il serbatoio di carburante è vuoto. | Riempire il serbatoio di carburante: consultare il MANUALE DEL MOTORE. |
| | Il filtro dell'aria è sporco. | Pulire il filtro dell'aria: consultare il MANUALE DEL MOTORE. |
| | La candela è allentata. | Serrare la candela a 25-30 Nm. |
| | Il filo della candela è allentato o scollegato dalla candela. | Collegare il filo della candela alla candela. |
| | Il gap della candela non è corretto. | Impostare il gap tra gli elettrodi su una distanza compresa tra 0,7 e 0,8 mm. |
| | La candela è difettosa. | Installare una candela nuova, con un'apertura corretta: consultare il MANUALE DEL MOTORE. |
| | Il carburatore è ingolfato dal carburante. | Rimuovere il filtro dell'aria e tirare la corda di avviamento in modo continuo fino a pulire il carburatore, quindi inserire nuovamente il filtro dell'aria. |
| Il motore si avvia con difficoltà o perde potenza. | Il modulo di accensione è difettoso. | Contattare l'addetto all'assistenza. |
| | Nel serbatoio di carburante sono presenti sporcizia, acqua o residui stantii. | Drenare il carburante e pulire il serbatoio. Riempire il serbatoio con carburante nuovo. |
| | L'apertura di ventilazione nel tappo del serbatoio di carburante è ostruita. | Pulire o sostituire il tappo del serbatoio di carburante. |
| Il motore funziona in modo incostante. | Il filtro dell'aria è sporco. | Pulire il filtro dell'aria. |
| | La candela è difettosa. | Installare una candela nuova, con un'apertura corretta: consultare il MANUALE DEL MOTORE. |
| | Il gap della candela non è corretto. | Impostare il gap tra gli elettrodi su una distanza compresa tra 0,7 e 0,8 mm. |
| Il minimo del motore è insufficiente. | Il filtro dell'aria è sporco. | Pulire il filtro dell'aria: consultare il MANUALE DEL MOTORE. |
| | Le aperture di ventilazione nel pannello del motore sono ostruite. | Rimuovere i residui dalle aperture. |
| | Le alette di raffreddamento e le aperture di ventilazione sotto l'alloggiamento del soffiante del motore sono bloccate. | Rimuovere i residui dalle alette di raffreddamento e dalle aperture di ventilazione. |
| Il motore salta a velocità elevate. | Il gap tra gli elettrodi della candela è troppo basso. | Impostare il gap tra gli elettrodi su una distanza compresa tra 0,7 e 0,8 mm. |
| Il motore si surriscalda. | Il flusso dell'aria di raffreddamento è limitato. | Rimuovere eventuali residui dalle aperture dei pannelli, dall'alloggiamento del soffiante e dalle aperture di ventilazione. |
| | La candela non è corretta. | Installare la candela e le alette di raffreddamento originali sul motore. |
| Il rasaerba vibra in modo anomalo. | Il gruppo di taglio è allentato. | Serrare la lama. |
| | Il gruppo di taglio è sbilanciato. | Equilibrare la lama. |

13. AMBIENTE

Se dopo un uso prolungato fosse necessario sostituire la macchina, non gettarla nei rifiuti domestici ma smaltirla in maniera ecocompatibile.

14. DICHIARAZIONE DI CONFORMITÀ CE

Solo per i paesi europei

La dichiarazione di conformità CE è inclusa come Allegato A al presente manuale di istruzioni.

Verklaring van het onderdelenoverzicht

- | | | |
|---------------------------------------|--|-------------------------|
| 1. Remhendel | 10. Zijuitwerpkanaal | 19. Mulchinzet |
| 2. Bovenste gedeelte van de handgreep | 11. Zijklep | 20. Knop |
| 3. Aandrijfhendel | 12. Maaidek | 21. Olievuldop/peilstok |
| 4. Chokehendel | 13. Bougiekabel | 22. Max: bovengrens |
| 5. Trekstarthandgreep | 14. Brandstoftankdop | 23. Min: ondergrens |
| 6. Koordgeleider | 15. Olievuldop | 24. Lip |
| 7. Vergrendelknoppen | 16. Snoerklem | 25. Filterkap |
| 8. Grasopvangbak | 17. Onderste gedeelte van de handgreep | |
| 9. Maaihoogte-instelhendel | 18. Snelheidsregelhendel | |



WAARSCHUWING:

Voor uw eigen veiligheid verzoeken wij u om deze gebruiksaanwijzing door te lezen voordat u uw nieuwe gereedschap gaat gebruiken. Als de aanwijzingen niet worden nageleefd kan dat leiden tot ernstig lichamelijk letsel. Besteed voor elk gebruik enige tijd om uzelf vertrouwd te maken met de grasmaaier. Bewaar deze gebruiksaanwijzing op een veilige plaats, om de nodige informatie steeds voorhanden te hebben. Als u dit apparaat overdraagt aan iemand anders, geef dan altijd ook deze gebruiksaanwijzing en veiligheidsvoorschriften er bij.

Beoogde toepassingen

Dit gereedschap mag alleen worden gebruikt voor de taken waarvoor het apparaat bestemd is. Enige andere toepassing wordt beschouwd als misbruik. De gebruiker/bedienend personeel, niet de fabrikant, wordt aansprakelijk gehouden voor enige schade of verwondingen die voortvloeien uit dergelijk misbruik. Deze grasmaaier met benzinemotor is bestemd voor particulier gebruik, d.w.z. gebruik in de directe omgeving van huis en tuin.

Particulier gebruik van de grasmaaier voorziet in een jaarlijkse gebruiksduur van gewoonlijk niet meer dan 50 uur, gedurende welke periode het apparaat voornamelijk wordt gebruikt voor het onderhouden van kleinschalige gazons van gewone woonhuizen en bijbehorende tuinen. Openbare faciliteiten, sportvelden en land- of bosbouwtoepassingen vallen hier niet onder.

Houd er rekening mee dat onze apparatuur niet is ontworpen voor commerciële, handels- of industriële toepassingen. Onze garantie vervalt wanneer het apparaat wordt gebruikt voor commerciële, handels- of industriële toepassingen of soortgelijke doeleinden. De gebruiksaanwijzingen, zoals bijgeleverd door de fabrikant, moeten bewaard worden en moeten voor naslag worden gebruikt om erop toe te zien dat de grasmaaier juist worden gebruikt en onderhouden. De instructies bevatten belangrijke informatie voor de bediening, het onderhoud en eventuele reparaties. Belangrijk! Vanwege ernstig gevaar van lichamelijk letsel voor de gebruiker, mag de grasmaaier niet worden gebruikt voor het trimmen van bosjes, heggen of heesters, voor het snoeien van klimplanten, aanplant op daken of gras op balkons, voor het verwijderen (opzuigen) van vuil of gruis van trottoirs, of voor het kleinmaken van gekapte boomtakken of de afsnijdsels van een heg.

Bovendien mag de grasmaaier niet worden gebruikt als grondbewerker voor het egaliseren van uitstekende bulten zoals molshopen.

Om veiligheidsredenen mag de grasmaaier niet worden gebruikt als aandrijfeenheid voor andere werktuigen of gereedschappen van enig type.

1. SYMBOLEN DIE OP HET PRODUCT VERMELD STAAN (op de achterkap)



Lees de gebruiksaanwijzing.



Houd omstanders uit de buurt.



Besteed als gebruiker extra aandacht aan handen en voeten om letsel te voorkomen.



Benzine is brandbaar, blijf uit de buurt van open vuur. Als de motor draait mag geen benzine worden bijgevuld.



Giftige dampen; Niet binnenshuis gebruiken.



Draag ter bescherming van de gebruiker tijdens het maaien een veiligheidsbril en gehoorbescherming.



Maak de bougiekabel los voordat u reparaties, zoals beschreven in de gebruiksaanwijzing, uitvoert.



Let op: Motor is heet.

2. ALGEMENE VEILIGHEIDSVORSCHRIFTEN



WAARSCHUWING: Bij gebruik van gereedschap met een verbrandingsmotor moeten altijd de algemene veiligheidsvoorzieningen worden opgevolgd om het risico van ernstig persoonlijk letsel en/of schade aan het gereedschap te verminderen. Lees deze gebruiksaanwijzing voordat u deze grasmaaier gaat gebruiken en bewaar deze gebruiksaanwijzing om hem later te kunnen raadplegen.



WAARSCHUWING: Dit gereedschap produceert tijdens gebruik een elektromagnetisch veld. Dit veld kan onder bepaalde omstandigheden de werking van actieve of passieve medische implantaten hinderen. Om het risico van ernstig persoonlijk en fataal letsel te verminderen, adviseren wij personen met medische implantaten hun dokter en de fabrikant van het implantaat te raadplegen alvorens dit gereedschap te bedienen.

Aanwijzingen

- Lees de gebruiksaanwijzingen zorgvuldig. Zorg dat u vertrouwd bent met de bedieningsknoppen en de juiste omgang met het gereedschap. Leer hoe u de motor snel kunt stoppen.
- Gebruik de grasmaaier uitsluitend voor het doel waarvoor hij is ontworpen, d.w.z. voor het maaien en opvangen van gras. Al het andere gebruik kan gevaarlijk zijn en schade aan het gereedschap veroorzaken. Voorbeelden van verkeerde gebruik zijn onder andere:
 - het vervoeren van mensen, kinderen of dieren op het gereedschap;
 - zich laten vervoeren door het gereedschap;
 - het gereedschap gebruiken om ladingen te trekken of duwen;
 - het gereedschap gebruiken voor het verzamelen van bladeren of afval;
 - het gereedschap gebruiken om hagen te snoeien of om andere vegetatie dan gras te maaien;
 - het gebruik van het gereedschap door meer dan één persoon;
 - het maaiemes gebruiken op een andere ondergrond dan gras.
- Laat in geen geval kinderen of personen die deze gebruiksaanwijzing niet gelezen hebben de grasmaaier gebruiken. De leeftijd van de gebruiker kan landelijk gereguleerd zijn.
- Gebruik de grasmaaier nooit:
 - wanneer er personen, met name kinderen, of dieren in de buurt zijn;

- wanneer de gebruiker medicijnen of andere middelen heeft gebruikt die zijn/haar reactiesnelheid of concentratie kunnen beïnvloeden.
- Denk eraan dat de bediener of gebruiker van de grasmaaier aansprakelijk is voor ongevallen en onvoorzien gebeurtenissen die personen of hun eigendommen kunnen overkomen.
- De gebruikers moeten terdege geoefend worden in het gebruik, de afstelling en de bediening van het apparaat, inclusief welke toepassingen verboden zijn.

Vorbereidingen

- Draag tijdens het maaien altijd stevige schoenen en een lange broek. Gebruik het gereedschap niet met blote voeten of met open sandalen.
- Inspecteer zorgvuldig het terrein waar het apparaat gebruikt gaat worden en verwijder alle voorwerpen, zoals stenen, speelgoed, stokken en stukken draad, die door de machine weggeslingerd kunnen worden.
- **WAARSCHUWING - Benzine is bijzonder brandbaar.**
 - Bewaar benzine in speciaal daarvoor bestemde jerrycans.
 - Vul alleen benzine bij in de open lucht en rook daarbij niet.
 - Vul benzine bij voor het starten van de motor. Verwijder nooit de brandstofvuldop en vul nooit benzine bij terwijl de motor draait of wanneer de motor warm is.
 - Als benzine wordt gemorst, mag u niet proberen de motor te starten, maar moet de grasmaaier worden verwijderd van de plaats waar de benzine gemorst is, en mag de motor niet worden gestart voordat de benzine verdampt is.
 - Plaats de doppen stevig terug op de brandstoftank en jerrycan.
- Vervang defecte geluiddempers.
- Voer vóór gebruik altijd een visuele controle uit of het maaiemes, de mesbout of het maaiemechanisme versleten of beschadigd is. Vervang het versleten of beschadigd maaiemes en mesbout altijd samen, om onbalans te voorkomen.
- Controleer regelmatig of alle startblokkeringen en controlemechanismen voor de aanwezigheid van een gebruiker juist functioneren.

Bediening

- Laat de verbrandingsmotor niet draaien in een gesloten ruimte waarin gevaarlijke koolmonoxidetampen zich kunnen ophopen.
- Gebruik het apparaat niet wanneer u moe of ziek bent of als u medicijnen of verdovende middelen hebt ingenomen.
- **Waarschuwing!** Gebruik de grasmaaier niet wanneer het onweert en er kans op blikseminslag bestaat.
- Het is aanbevolen om de gebruiksduur beperkt te houden, om zo min mogelijk risico van lawaai en trillingen te lopen.
- Wees zeer voorzichtig wanneer u de grasmaaier gebruikt op hellingen of bij steile randen, greppels of oevers.
- Werk alleen bij daglicht of bij goed kunstlicht.
- Gebruik de grasmaaier bij voorkeur niet wanneer het gras nat is.

- Zorg er op een helling altijd voor dat u stevig staat.
- Loop rustig, nooit te snel.
- Maai met cirkelmaaiers met wielen een helling altijd in de dwarsrichting en nooit van boven naar beneden.
- Ga altijd uiterst voorzichtig te werk bij het veranderen van richting op een helling.
- Maai niet op bijzonder steile hellingen.
- Pas goed op als u de grasmaaier achteruit laat rijden of naar u toe haalt.
- Het maaimes moet stilstaan wanneer de grasmaaier bij het vervoeren moet worden gekanteld, wanneer de grasmaaier over een oppervlak waar geen gras groeit moet worden verplaatst en bij het vervoer naar en van een te maaien gedeelte.
- Gebruik de grasmaaier nooit met defecte afschermingen of zonder veiligheidsvoorzieningen zoals een achterklep en/of grasopvangbak.
- Let op: De grasmaaier mag niet worden gebruikt zonder dat óf de volledige grasvanger, óf de zelfsluitende uitblaasopeningsbeveiliging op zijn plaats zit.
- Verander de regelafstellingen van de motor niet en laat het toerental van de motor niet buitengewoon hoog oplopen.
- Probeer niet om enige afstelling of aanpassing te maken in enig afgesloten mechanisme voor de motorsnelheidsregeling.
- De beveiligingssystemen en veiligheidsvoorzieningen van de grasmaaier mogen nooit worden uitgeschakeld of aangepast.
- Schakel alle maaimessen en de aandrijving uit voordat u de motor start.
- Start de motor zorgvuldig zoals aangegeven in de gebruiksaanwijzing en blijf met uw voeten steeds op voldoende afstand van het maaimes.
- Tijdens het starten van de motor mag de grasmaaier niet worden gekanteld.
- Start de motor niet als u voor het uitwerpkanal staat.
- Kom niet met uw handen of voeten in de buurt van of onder draaiende delen. Blijf altijd uit de buurt van de uitwerpopening.
- De grasmaaier nooit optillen of dragen wanneer de motor loopt.
- Zet de motor uit en maak de bougiekabel los, wacht tot de draaiende delen volledig tot stilstand zijn gekomen en, indien aanwezig, verwijder de sleutel.
 - voordat u een verstopping opheft of voordat u het uitwerpkanal leegt.
 - voordat u de grasmaaier controleert, reinigt of er werkzaamheden aan gaat verrichten.
 - na het raken van een vreemd voorwerp. Controleer of de grasmaaier beschadigd is en laat deze indien nodig repareren voordat u de grasmaaier opnieuw gaat starten en gebruiken.
 - als de grasmaaier op ongebruikelijke manier begint te trillen (onmiddellijk controleren).
- Zet de motor uit en maak de bougiekabel los, wacht tot de draaiende delen volledig tot stilstand zijn gekomen en, indien aanwezig, verwijder de sleutel.
 - iedere keer als u de grasmaaier onbeheerd achterlaat.
 - voordat u brandstof bijvult.

- Zet de gashendel terug vóórdat u de motor uitschakelt en indien de motor is voorzien van een brandstofkraan, moet deze na het maaien worden dicht gezet.
- Gebruik de grasmaaier uitsluitend voor het doel waarvoor hij is ontworpen: voor het maaien en opvangen van gras. Al het andere gebruik kan gevaarlijk zijn en schade aan het gereedschap veroorzaken.

Onderhoud en opslag

- Zorg ervoor dat alle bouten en de schroeven stevig vastgedraaid zijn om er zeker van te zijn dat het gereedschap altijd op een veilige manier gebruiksklaar is.
- Zet de grasmaaier niet met brandstof in de brandstoftank in een ruimte waar de brandstofdampen in aanraking kunnen komen met vlammen of vonken.
- Laat de motor afkoelen voordat u de grasmaaier opbergt in een gesloten ruimte. Maak de grasmaaier schoon en verricht het nodige onderhoud voordat u het apparaat opbergt.
- Om het brandgevaar zoveel mogelijk te beperken moet u de motor, de geluiddemper, de accubak en de brandstoftank vrijhouden van gras, bladeren of overtollig vet.
- Controleer regelmatig de grasopvangbak op slijtage en beschadigingen.
- Vervang veiligheidshalve versleten of beschadigde delen.
- Als de brandstoftank moet worden geleegd, moet u dit in de open lucht doen.
- Onjuist onderhoud, gebruik van niet-passende vervangingsonderdelen, of het verwijderen of aanpassen van van veiligheidsvoorzieningen kan de grasmaaier beschadigen en de gebruikers ernstig verwonden.
- Gebruik alleen de aanbevolen maaibladeren en reserveonderdelen geleverd door de fabrikant. Het gebruik van niet-specifieke onderdelen kan de grasmaaier beschadigen en de gebruikers verwonden. Houd de grasmaaier steeds in goede werkconditie.
- Als de voorziening voor het stoppen van de maaibladeren niet goed werkt, neemt u dan a.u.b. contact op met een officiële onderhoudsdienst.

Vervoeren en hanteren

- Wanneer het gereedschap moet worden gehanteerd, opgetild, vervoerd of gekanteld, moet u:
 - stevige werkhandschoenen dragen;
 - het gereedschap vastpakken op plaatsen die een goede houvast bieden, rekening houdend met het gewicht en de verdeling ervan;
 - gebruik een geschikt aantal mensen voor het gewicht van het gereedschap en de kenmerken van het voertuig of de plaats waar het moet worden gebracht of opgehaald.
- Tijdens vervoer moet het gereedschap stevig zijn vastgezet met touwen of kettingen.



WAARSCHUWING: Raak het draaiende maaimes niet aan.



WAARSCHUWING: Vul de brandstoftank bij in een goed geventileerde ruimte terwijl de motor is uitgeschakeld.

3. BESCHRIJVING VAN DE ONDERDELEN (zie afb. 1)

Bijgeleverd:

A: Bougiesleutel

4. TECHNISCHE GEGEVENS

| | |
|--------------------------|------------------------------|
| Model | PLM5600N2 |
| Motorotype | B&S 675EXi-serie, ReadyStart |
| Zelfrijdend | Ja |
| Cilinderinhoud | 163 cm ³ |
| Nominaal vermogen | 2,6 kW |
| Maai breedte | 560 mm |
| Nominaal toerental | 2.800/min |
| Inhoud brandstoftank | 1,0 liter |
| Inhoud olietank | 0,47 liter |
| Inhoud van grasopvangbak | 70 liter |
| Nettogewicht | 37,2 kg |
| Maaihoogteregeling | 25-70 mm, 8 stappen |

| | |
|---|---|
| Model | PLM5600N2 |
| Geluidsdruk niveau ter plaatse van de gebruiker (Volgens EN ISO 5395-1 Annex F en EN ISO 5395-2, EN ISO 4871) | 88,5 dB (A) (K=3 dB (A)) |
| Gemeten geluidsvermogen niveau Gegarandeerd geluidsvermogen niveau (volgens 2000/14/EU) | 96,3 dB (A) K=1,86 dB (A) 98 dB (A) |
| Trillingen (Volgens EN ISO 5395-1 Annex G en EN ISO 5395-2) | 7,90 m/s ² K=1,5 m/s ² |

5. ONDERDELEN AANBRENGEN EN VERWIJDEREN

5-1 MONTEREN VAN DE INKLAPBARE HANDGREEP

1. Bevestig het onderste gedeelte van de handgreep op de handgreepsteun met de bout, ring en vergrendelknop (zie afb. 2 en 3).
2. Zet het bovenste gedeelte van de handgreep vast op het onderste gedeelte van de handgreep met de vergrendelknop (zie afb. 4 en 5).
3. Plaats de kabel rond het gat in het midden van het onderste gedeelte van de handgreep. Klem hem vast met de snoerklem en verzeker u ervan dat het snoer aan de buitenkant van de handgreep is bevestigd. (zie afb. 6). Het snoer kan anders bekneld raken bij het openen/sluiten van de achterklep.

5-2 DE HOOGTE VAN DE HANDGREEP INSTELLEN

- 1) Draai de vergrendelknop los waarmee het onderste gedeelte van de handgreep is vastgezet.
- 2) Beweeg het onderste gedeelte van de handgreep omhoog of omlaag tot de handgreep de gewenste hoogte heeft. U kunt op deze grasmaaier kiezen uit 3 hoogtestanden: bij hoogtestand 1 is de afstand tussen het onderste gedeelte van de handgreep en de grond het grootst, en bij hoogtestand 3 het kleinst (zie afb. 7).
- 3) Nadat de handgreep op de gewenste hoogte is ingesteld, zet u de onderste handgreep vast met de vergrendelknoppen (zie afb. 8).

5-3 DE GRASOPVANGBAK AANBRENGEN EN VERWIJDEREN

1. Aanbrengen: til de achterklep op en haak de grasopvangbak aan de achterkant van de grasmaaier (zie afb. 9 en 10).
2. Verwijderen: til de achterklep op en verwijder de grasopvangbak.

5-4 DE TREKSTARHANDGREEP

Verplaats de trekstarhandgreep van de motor naar de koordgeleider (zie afb. 11).

5-5 DE MAAIHOOGTE INSTELLEN

Duw de hefboom naar buiten om hem uit de huidige stand te halen. Beweeg de maaihoogte-instelhendel naar voren of achteren om de maaihoogte in te stellen (zie afb. 12 en de beschrijving bij punt 7-9).

6. BEDIENING

Deze grasmaaier kan na aanschaf worden omgebouwd voor extra functies, afhankelijk van de gewenste toepassing:

Vanaf een grasmaaier met achteruitwerp naar:

1. een mulchmaaier, of
 2. een grasmaaier met zijuitwerp.
- Wat is mulchen?

Bij mulchen wordt het gras eerst gemaaid, vervolgens uiterst fijn versnipperd, en tenslotte in het gras teruggeblazen als natuurlijke meststof.

Tips voor mulchmaaien:

- Maai het gras regelmatig met maximaal 2 cm van 6 cm naar 4 cm grashoogte.
- Gebruik een scherp maaimes.
- Maai geen nat gras.
- Stel het maximale motortoerental in.
- Duw de grasmaaier met een rustige werksnelheid.
- Maak regelmatig de mulchinzet, binnenkant van de behuizing en het maaimes schoon.

In gebruik nemen

6-1 Ombouwen tot mulchmaaier



WAARSCHUWING: Alleen wanneer de motor gestopt is en het maaimes tot stilstand is gekomen.

1. Til de achterklep op en verwijder de grasopvangbak.

2. Plaats de mulchinzet in het maaidek. Zet de mulchinzet vast met de knop in de opening van het maaidek (zie afb. 13 en 14).
3. Laat de achterklep weer zakken (zie afb. 15).
4. Til de zijklep op en verwijder het zijuitwerpkanaal.

6-2 ombouwen tot grasmaaier met zijuitwerp



Alleen wanneer de motor en het maaimes gestopt zijn!

1. Til de achterklep op en verwijder de grasopvangbak.
2. Plaats de mulchinzet in het maaidek. Zet de mulchinzet vast met de knop in de opening van het maaidek.
3. Til de zijklep voor zijuitwerp op (zie afb. 16).
4. Monteer het zijuitwerpkanaal op de bevestigingspen van de zijklep (zie afb. 17).
5. Laat de zijklep zakken tot op het zijuitwerpkanaal (zie afb. 18).

6-3 Maaien met de grasopvangbak



WAARSCHUWING: Alleen wanneer de motor en het maaimes gestopt zijn.

Voor maaien met de grasopvangbak verwijdert u eerst de mulchinzet en het zijuitwerpkanaal en brengt u daarna de grasopvangbak weer aan.

1. De mulchinzet verwijderen.
 - Til de achterklep op en verwijder de mulchinzet.
2. Verwijderen van de zijkant-afvoergoot voor zijwaartse grasafvoer.
 - Til de zijflap op en verwijder de zijkant-afvoergoot.
 - De zijflap sluit automatisch met behulp van een springveer de grasafvoeropening in de behuizing af.
 - Maak de zijflap en de grasafvoeropening regelmatig schoon en verwijder aanklevende grasresten, modder en vuil.
3. De grasopvangbak aanbrengen.
 - Til de achterklep op en haak de grasopvangbak aan de achterkant van de grasmaaier.

7. BEDIENINGSINSTRUCTIES

7-1 VOOR DE MOTOR TE STARTEN

Vul de brandstoftank en olietank bij zoals aangegeven in de aparte gebruiksaanwijzing voor de motor, die bij de grasmaaier is geleverd. Lees de gebruiksaanwijzingen zorgvuldig (zie afb. 19, 20 en 21).



WAARSCHUWING: Benzine is bijzonder brandbaar.

Bewaar brandstof in speciaal daarvoor bestemde jerrycans.

Vul brandstof alleen bij in de open lucht en voordat de motor wordt gestart, en rook niet tijdens het bijvullen of hanteren van brandstof.

Verwijder nooit de brandstofvuldop en vul nooit benzine bij terwijl de motor draait of wanneer de motor warm is.

Als brandstof is gemorst, mag u niet proberen de motor te starten, maar moet de grasmaaier worden verwijderd van de plaats waar de brandstof is gemorst, en mag de motor niet worden gestart voordat de brandstof verdampst is. Plaats de doppen stevig terug op de brandstoftank en jerrycan.

Voordat u de grasmaaier kantelt voor onderhoud van het maaimes of voor aftappen van de olie, moet u de brandstoftank volledig leegmaken.



WAARSCHUWING: In geen geval mag u brandstof bijvullen in een gebouw, terwijl de motor draait of als het afkoelen van de motor na draaien korter heeft geduurd dan 15 minuten.

7-2 DE MOTOR STARTEN EN HET MAAIMES INSCHAKELLEN

1. Bij deze grasmaaier zit het uiteinde van de bougie een rubberen mof. Zorg ervoor dat de metalen huls aan het uiteinde van de bougiekabel (binnenin de rubberen mof) goed vastzit op de metalen elektrode van de bougie.
2. Voor het starten van een koude of warme motor draait u de gas-chokehendel naar een stand tussen de stand "☁" en de stand "☁☁". Voor het gebruik draait u dan de gas-chokehendel naar de stand "☁☁". (zie afb. 22)
3. U gaat achter de grasmaaier staan, pakt de remhendel vast en houdt deze tegen de bovenste handgreep, zoals afgebeeld in afb. 23.
4. Pak de trekstarthandgreep vast, zoals afgebeeld in afb. 23, en trek hem snel naar u toe. Plaats de handgreep na het starten van de motor rustig terug tegen de koordgeleider.

Als u de remhendel loslaat, slaat de motor af en stopt het maaimes vanzelf.



Start de motor zorgvuldig zoals aangegeven in de gebruiksaanwijzing en blijf met uw voeten steeds op voldoende afstand van het maaimes.



Tijdens het starten van de motor mag de grasmaaier niet worden gekanteld. Start de grasmaaier op een vlakke ondergrond zonder hoog gras of obstakels.



Houd uw handen en voeten uit de buurt van draaiende delen. Start de motor niet als u voor de uitwerpopening staat.

7-3 TIJDENS HET GEBRUIK

Houd tijdens het gebruik de remhendel met beide handen stevig vast.



Opmerking: Als u tijdens het gebruik de remhendel loslaat, zal de motor afslaan waardoor de grasmaaier stopt.



Waarschuwing: Om te voorkomen dat de grasmaaier per ongeluk ingeschakeld kan worden, is het apparaat voorzien van een motorblokkering die u eerst terug moet trekken voordat de motor gestart kan worden. Wanneer u de motorregelhendel loslaat, moet die terugkeren naar de uitgangsstand, waarna de motor automatisch afslaat.

**Opmerking:** Motorblokkering (remhendel):

Gebruik deze hendel om de motor te stoppen. Wanneer u de hendel loslaat, komen de motor en het maaiblad automatisch tot stilstand. Voor het maaien houdt u de hendel in de werkstand. Voordat u gaat maaien controleert u enkele malen zorgvuldig de start/stophendel om te zien of die naar behoren werkt. Zorgt u dat de spanningskabel soepel bediend kan worden (dus niet ergens geknikt is of vastloopt op enige manier).

7-4 DE MOTOR STOPPEN



LET OP: Het maaimes draait na het uitschakelen van de motor nog enkele seconden door.

1. Als u de remhendel loslaat, slaat de motor af en stopt het maaimes vanzelf (zie afb. 24).
2. Maak de bougiekabel los en aard deze zoals aangegeven in de aparte gebruiksaanwijzing voor de motor om per ongeluk starten te voorkomen als de grasmaaier onbeheerd achtergelaten wordt.

7-5 ZELFAANDRIJVING

De grasmaaier is uitgerust met een snelheidsregeling die 3 snelheden kan instellen van 3,0 km/u tot en met 4,5 km/u.

Stand "☁": de langzaamste stand; Stand "☁☁": de snelste stand (zie afb. 25).

Volg onderstaande stappen:

1. Laat de aandrijfhandel los en wacht tot de grasmaaier niet meer naar voren rijdt.
2. Stel de gewenste snelheid in.
3. Duw de aandrijfhandel tegen de bovenste handgreep en de grasmaaier begint automatisch naar voren te rijden (zie afb. 26).



LET OP: Uw grasmaaier is bedoeld om normaal tuingras te maaien met een maximale lengte van 250 mm. Probeer niet in ongebruikelijk hoog droog of nat gras (bijvoorbeeld een weiland) of een berg droge bladeren te maaien. Afval kan zich ophopen op het maaidek of in aanraking komen met de motoruitlaat waardoor mogelijk brandgevaar ontstaat.

7-6 VOOR HET BESTE MAAIRESULTAAT

Verwijder afval van het gazon. Zorg dat het gazon vrij is van stenen, stokken, draadstukken of andere vreemde voorwerpen die per ongeluk door de grasmaaier in alle richtingen weggeslingerd kunnen worden en niet alleen ernstig persoonlijk letsel voor de gebruiker of anderen, maar ook schade aan eigendommen en voorwerpen in de buurt tot gevolg kunnen hebben. Maai geen nat gras. Maaien gaat het best als het gras niet nat is omdat het anders aan de onderkant van het maaidek gaat plakken en daardoor het maaien wordt gehinderd. Maai niet meer dan 1/3 van de graslengte. Voor maaien wordt aangeraden het gras 1/3 van de lengte korter te maaien. De voorwaartse snelheid moet zodanig aangepast worden dat het versnipperde gras gelijkmatige over het gazon wordt verdeeld. Speciaal tijdens het zwaar maaien van dik gras kan het nodig zijn om de laagste snelheid te gebruiken om de grassprietten schoon en goed te maaien.

Als het gras langer is kunt u het gazon in twee fasen maaien door de maaïhoogte nog een keer met 1/3 van de graslengte te verlagen en misschien in een andere richting te maaien dan de eerste keer. Door toepassing van een kleine overlapping op elk maaipad kunt u de eventueel op het gazon achtergebleven grassprietten opruimen. De maaier moet altijd op het hoogste toerental draaien voor het beste maairesultaat en om zo effectief mogelijk te maaien. Maak de onderkant van het maaidek schoon. Zorg dat de onderkant van het maaidek na elk gebruik wordt schoongemaakt om ophoping van grasresten te voorkomen waardoor een goed mulchresultaat wordt gehinderd. Bladeren maaien. Het maaien van bladeren kan uw gazon ten goede komen. Als u bladeren gaat maaien, moet u zorgen dat ze droog zijn en niet in een dikke laag op het gazon liggen. Wacht niet tot alle bladeren van de bomen zijn gevallen voordat u gaat maaien.



WAARSCHUWING: Schakel de motor uit na het raken van een vreemd voorwerp. Maak de bougiekabel los, controleer de grasmaaier grondig op beschadigingen en herstel de beschadiging voordat u de grasmaaier opnieuw gaat starten en gebruiken. Buitensporige trillingen in de grasmaaier kunnen op een beschadiging duiden. De grasmaaier moet onmiddellijk worden nagekeken en gerepareerd.

7-7 GRASOPVANGBAK

In de achterklep zit een doorzichtig venster waardoor u de hoeveelheid gras in de grasopvangbak kunt zien. Als de grasopvangbak vol zit met gras, moet u de grasopvangbak leeg en schoon maken. Zorg ervoor dat deze schoon is het luchtrooster open is (zie afb. 27).

7-8 MAAIDEK

De onderkant van het maaidek moet na elk gebruik worden schoongemaakt om ophoping van grasresten, bladeren, vuil of anders te voorkomen. Als dit vuil kan ophopen, krijgen roest en corrosie vrij baan en zal goed mulchen niet mogelijk zijn. Het maaidek kan schoongemaakt worden door de grasmaaier te kantelen en schoon te schrapen met een toepasselijk gereedschap (zorg dat de bougiekabel is losgemaakt).

7-9 DE MAAIHOOGTE INSTELLEN



LET OP: Verander in geen geval een instelling aan de grasmaaier zonder eerst de motor uit te schakelen en de bougiekabel los te maken.



LET OP: Voordat u de maaïhoogte verandert moet u eerst de motor uitschakelen en de bougiekabel losmaken.

Uw grasmaaier heeft een centrale maaïhoogte-instelhendel met 8 hoogtestanden.

1. Schakel de grasmaaier uit en maak de bougiekabel los voordat u de maaïhoogte verandert.
2. De centrale maaïhoogte-instelhendel heeft 8 verschillende hoogtestanden.

De maaihoogte verandert u door de maaihoogte-instelhendel naar het wiel te duwen en omhoog of omlaag te verplaatsen naar de gewenste maaihoogtestand. Alle wielen staan ingesteld op dezelfde maaihoogte (zie afb. 28).

8. ONDERHOUD

BOUGIE

Gebruik voor vervanging alleen originele bougies. Het beste is om de bougie na 100 bedrijfsuren te vervangen.

REMSCHOENEN

Laat de motorremschoenen regelmatig door een onderhoudsdienst controleren en/of vervangen; ter vervanging kunnen alleen originele onderdelen worden gebruikt.

9. SMERING



LET OP: MAAK DE BOUGIEKABEL LOS VOORDAT U ONDERHOUDSWERKZAAMHEDEN GAAT UITVOEREN.

1. WIELEN - Smeer de kogellagers in elk wiel minstens een keer per seizoen met lichte olie.
2. MOTOR - Volg de aanwijzingen voor het smeren in de gebruiksaanwijzing voor de motor op.

10. SCHOONMAKEN



LET OP: Spuit geen water op de motor. Water kan schade toebrengen aan de motor en het brandstofsysteem vervuilen.

1. Veeg het maaidek schoon met een droge doek.
2. Spuit de onderkant van het maaidek schoon nadat de grasmaaier zodanig is gekanteld dat de bougie naar boven is gericht.

10-1 MOTORLUCHTFILTER



LET OP: Zorg dat vuil of stof het schuimrubberen filterelement niet kan verstoppen. Het motorluchtfilterelement moet worden onderhouden (schoongemaakt) na 25 uur normaal maaien. Het schuimrubberen filterelement moet regelmatig schoongemaakt worden wanneer de grasmaaier onder droge en stoffige omstandigheden wordt gebruikt.

LUCHTFILTER SCHOONMAKEN

1. Til de lip van de filterkap op. (zie afb. 29)
2. Verwijder de filterkap.
3. Was het filterelement met water en zeep. **GEBRUIK GEEN BENZINE!**
4. Droog het element in de open lucht.
5. Plaats een paar druppels SAE30-olie op het schuimrubberen filterelement en knijp het stevig samen om het overschot aan olie te verwijderen.
6. Plaats het filter terug.
7. Sluit het filterdeksel.

OPMERKING: Vervang het filter als het is gerafeld, gescheurd of beschadigd, of als het niet meer kan worden schoongemaakt.

10-2 MAAIMES



LET OP: Maak de bougiekabel los en aard deze voordat u aan het maaimes gaat werken om per ongeluk starten te voorkomen. Bescherm uw handen door werkhandschoenen te dragen of een doek te gebruiken als u het maaimes vastpakt. Kantel de grasmaaier zoals aangegeven in de aparte gebruiksaanwijzing voor de motor. Verwijder de zeskantbout en ring waarmee het maaimes en bijbehorende adapter op de uitgaande as van de motor zijn bevestigd. Verwijder het maaimes en de adapter vanaf de uitgaande as van de motor.



WAARSCHUWING: Controleer regelmatig de maaimesadapter op scheuren, vooral na het raken van een vreemd voorwerp. Vervang indien nodig. Voor het beste resultaat moet het maaimes scherp zijn. Het maaimes kan weer scherp worden gemaakt door het te verwijderen en de snijkant te slijpen of te vijlen, waarbij de originele snijhoek zo goed mogelijk gehandhaafd moet blijven. Het is uitermate belangrijk dat elke snijkant evenveel wordt geslepen om te voorkomen dat het maaimes in onbalans raakt. Een onjuiste balans van het maaimes veroorzaakt sterke trillingen dat weer kan leiden tot eventuele schade aan de motor en grasmaaier. Zorg dat het maaimes zorgvuldig uitgebalanceerd wordt na het slijpen. De balans van het maaimes kan worden gecontroleerd door het op de ronde steel van een schroevendraaier te balanceren. Verwijder een beetje materiaal van het zwaardere gedeelte totdat de balans weer is hersteld (zie afb. 30). Voordat het maaimes en de adapter weer op de grasmaaier gemonteerd worden, smeert u de uitgaande as van de motor en de binnenkant van de maaimesadapter met een lichte olie. Monteer de maaimesadapter op de uitgaande as. Raadpleeg afb. 30. Monteer het maaimes met het onderdeelnummer afgekeerd van de adapter. Leg de ring op juiste wijze op het maaimes en steek de zeskantbout erdoor. Draai de zeskantbout vast met een draaikoppel, zoals hieronder aangegeven.

10-3 DRAAIKOPPEL VOOR MAAIMES

Draai de centrale bout aan met een koppel van 40 Nm tot 50 Nm om verzekerd te zijn van een veilige werking van het gereedschap. ALLE moeren en bouten moeten regelmatig nagekeken worden of ze nog goed vastzitten. Na langdurig gebruik, vooral op ondergronden met veel zand, zal het maaimes slijten en zijn oorspronkelijke vorm verliezen. Het maaien gaat steeds slechter en het maaimes moet worden vervangen. Vervang het alleen met een maaimes dat door de fabriek is goedgekeurd. De fabrikant is niet verantwoordelijk voor eventuele schade die veroorzaakt wordt door de onbalans van het maaimes. Bij vervanging van het maaimes moet u gebruikmaken een origineel vervangingsonderdeel waarvan het nummer is aangegeven op het maaimes (MAKITA 263001171) (het maaimes kunt u bestellen bij uw plaatselijke dealer of door telefonisch contact op te nemen met ons bedrijf - zie de kافت).

10-4 MOTOR

Raadpleeg de aparte gebruiksaanwijzing voor de motor voor aanwijzingen met betrekking tot motoronderhoud. Behandel de motorolie zoals aangegeven in de aparte gebruiksaanwijzing voor de motor dat bij de grasmaaier is geleverd. Lees en volg de instructies zorgvuldig.

Onderhoud onder normale omstandigheden het luchtfilter zoals aangegeven in de aparte gebruiksaanwijzing voor de motor.

Bij zeer stoffige omstandigheden moet het steeds na enkele uren schoongemaakt worden. Slechte motorprestaties en het verzuipen van de motor zijn meestal aanwijzingen dat het luchtfilter onderhouden moet worden.

Raadpleeg de aparte gebruiksaanwijzing voor de motor die bij de grasmaaier is geleverd, voor het onderhoud van het luchtfilter.

Een keer per seizoen moet de bougie worden schoongemaakt en de elektrodenafstand opnieuw worden ingesteld. Het wordt aangeraden om aan het begin van elk maaiseizoen de bougie te vervangen. Raadpleeg de aparte gebruiksaanwijzing voor de motor voor het juiste bougietype en specificatie van de elektrodenafstand. Maak de motor regelmatig schoon met een doek of borstel. Houd het koelsysteem (ventilatorbehuizing) schoon om een goede luchtcirculatie te realiseren die essentieel is voor het vermogen en de levensduur van de motor. Zorg dat al het gras, vuil en brandbare rommel rondom de uitlaatdemper is verwijderd.

11. OPBERGEN (BUITEN HET SEIZOEN)

De volgende stappen moet u nemen om de grasmaaier voor te bereiden om hem op te bergen.

1. Maak de brandstoftank leeg na de laatste maaibeurt van een seizoen.
 - a) Maak de brandstoftank leeg met een zuigpomp.



LET OP: Tap de benzine niet af in een afgesloten vertrek, in de buurt van open vuur, terwijl u rookt, enz! Benzinedampen kunnen een explosie of brand veroorzaken.

- b) Start de motor en laat deze draaien tot alle resterende benzine is opgebruikt en afslaat.
 - c) Verwijder de bougie. Gebruik een oliekannetje om ongeveer 20 ml olie in de verbrandingskamer te gieten. Bedien de starter zodat de olie in de verbrandingskamer gelijkmatig wordt verdeeld. Plaats de bougie terug.
2. Reinig en smeer de grasmaaier zorgvuldig zoals hierboven beschreven onder "SMERING".
 3. Smeer het maaimes licht in om roesten te voorkomen.
 4. Berg de grasmaaier op in een droge, schone en vorstvrije ruimte, buiten het bereik van onbevoegde personen.



LET OP: De motor moet volledig afgekoeld zijn voordat u de grasmaaier mag opbergen.



OPMERKING:

- Een gereedschap met een verbrandingsmotor mag niet worden opgeborgen in een schuur die niet is geventileerd of waarin materialen worden opgeslagen.
- Zorg ervoor dat het gereedschap tegen roest wordt beschermd. Smeer het gereedschap, met name de kabels en alle bewegende delen, met een lichte olie of silicone.
- Pas op dat u de kabels niet buigt of knikt.
- Als het startkoord is losgeschoten uit de koordgeleider op de handgreep, moet u de bougiekabel losmaken en aarden, de stophandgreep intrekken en het startkoord langzaam uit de motor trekken. Schuif het startkoord in de koordgeleider op de handgreep.

Vervoeren

Schakel de motor uit en wacht tot de motor afgekoeld is. Maak dan de bougiekabel los en leeg de brandstoftank volgens de instructies in de gebruiksaanwijzing voor de motor. Pas op dat het maaiblاد niet wordt verbogen of anderszins beschadigd wanneer u de grasmaaier over obstakels heen duwt.

12. PROBLEMEN OPLOSSEN

| PROBLEEM | MOGELIJKE OORZAAK | OPLOSSING |
|--|---|---|
| Motor start niet. | Gas-chokehendel staat gezien de huidige omstandigheden niet in de juiste stand. | Gas-chokehendel in de juiste stand zetten. |
| | Brandstoftank is leeg. | Vul de brandstoftank met brandstof: raadpleeg de GEBRUIKSAANWIJZING VOOR DE MOTOR. |
| | Luchtfilterelement is vuil. | Luchtfilterelement schoonmaken: raadpleeg de GEBRUIKSAANWIJZING VOOR DE MOTOR. |
| | Bougie zit los. | Bougie met een draaikoppel van 25 tot 30 Nm vastdraaien. |
| | Bougiekabel zit los of is losgeraakt van de bougie. | Bougiekabel op de bougie bevestigen. |
| | Elektrodenafstand van de bougie is niet correct. | Elektrodenafstand op 0,7 tot 0,8 mm instellen. |
| | Bougie is defect. | Nieuwe bougie met de juiste elektrodenafstand plaatsen: raadpleeg de GEBRUIKSAANWIJZING VOOR DE MOTOR. |
| | Carburateur is verzopen met benzine. | Luchtfilterelement verwijderen, voortdurend aan het startkoord trekken totdat de carburateur leeg is en daarna een nieuw luchtfilterelement plaatsen. |
| | Defecte ontstekingsmodule. | Neem contact op met een servicecentrum. |
| Motor is moeilijk te starten of verliest vermogen. | Vuil, water of oude brandstof in de brandstoftank. | Tap de brandstoftank af en reinig deze. Vul de brandstoftank met schone, nieuwe brandstof. |
| | Het ventilatiegatje in de brandstofvuldop zit verstopt. | Reinig of vervang de brandstofvuldop. |
| | Luchtfilterelement is vuil. | Luchtfilterelement reinigen. |
| Motor draait onregelmatig. | Bougie is defect. | Nieuwe bougie met de juiste elektrodenafstand plaatsen: raadpleeg de GEBRUIKSAANWIJZING VOOR DE MOTOR. |
| | Elektrodenafstand van de bougie is niet correct. | Elektrodenafstand op 0,7 tot 0,8 mm instellen. |
| | Luchtfilterelement is vuil. | Luchtfilterelement schoonmaken: raadpleeg de GEBRUIKSAANWIJZING VOOR DE MOTOR. |
| Motor draait slecht stationair. | Luchtfilterelement is vuil. | Luchtfilterelement schoonmaken: raadpleeg de GEBRUIKSAANWIJZING VOOR DE MOTOR. |
| | Luchtsleuven in de motorafdekking zijn verstopt. | Vuil uit de sleuven verwijderen. |
| | Koelribben en luchtwegen onder de ventilatorbehuizing van de motor zijn verstopt. | Vuil van de koelribben en luchtwegen verwijderen. |
| Motor slaat over bij een hoog toerental. | Afstand tussen elektroden van de bougie is te klein. | Elektrodenafstand op 0,7 tot 0,8 mm instellen. |
| Oververhitte motor. | Koelluchtstroom geblokkeerd. | Alle vuil uit de sleuven van de motorafdekking, ventilatorbehuizing en luchtwegen verwijderen. |
| | Verkeerde bougie. | Installeer de originele bougie en koelvinnen op de motor. |
| Grasmaaier trilt buitensporig. | Maaimes zit los. | Maaimes vastzetten. |
| | Maaimes is in onbalans. | Maaimes uitbalanceren. |

13. MILIEU

Wanneer uw gereedschap na langdurig gebruik vervangen moet worden, moet u het niet bij het huisvuil zetten, maar moet u het op een milieuverantwoorde wijze verwerken.

14. EG-VERKLARING VAN CONFORMITEIT

Alleen voor Europese landen

De EG-verklaring van conformiteit is bijgesloten als Aanhangsel A bij deze gebruiksaanwijzing.

Explicación de los dibujos

- | | | |
|---------------------------------------|--------------------------------|------------------------------------|
| 1. Mango de control de los frenos | 9. Palanca de ajuste de altura | 18. Palanca de ajuste de velocidad |
| 2. Mango superior | 10. Canal de descarga lateral | 19. Cuña para mulching (acolchado) |
| 3. Mango de control de autopropulsión | 11. Tapa lateral | 20. Botón |
| 4. Palanca del estrangulador | 12. Cubierta | 21. Tapa de aceite/varilla |
| 5. Mango del motor de arranque | 13. Bujía | 22. Máx.: límite superior |
| 6. Guía de la cuerda | 14. Tapa de combustible | 23. Min.: límite inferior |
| 7. Pomo de bloqueo | 15. Tapa de aceite | 24. Lengüeta |
| 8. Saco de recogida | 16. Acoplamiento del cable | 25. Cubierta del filtro |
| | 17. Mango inferior | |



ADVERTENCIA:

Por su propia seguridad, por favor, lea este manual antes de intentar utilizar su nueva unidad. Si no sigue las instrucciones podrá resultar en heridas personales graves. Dedique unos momentos a familiarizarse con su cortadora de césped antes de cada utilización. Guarde este manual en un lugar seguro, de modo que la información esté disponible en todo momento. Si da el equipo a cualquier otra persona, entregue estas instrucciones de funcionamiento y también las normas de seguridad.

Uso previsto

El equipo puede ser utilizado solamente para manejar tareas para las que ha sido diseñado. Cualquier otra utilización será considerada como caso de uso indebido. El usuario/operario y no el fabricante será el responsable de cualquier daño o heridas de cualquier tipo ocasionados como resultado de esto.

La cortadora de césped a gasolina ha sido prevista para uso privado, es decir, para uso en entornos del hogar y jardinería.

El uso privado de la cortadora de césped se refiere a un tiempo de funcionamiento anual que no exceda el de 50 horas, tiempo durante el que la máquina será utilizada principalmente para el mantenimiento a pequeña escala del césped de residencias y jardines de casas o como pasatiempo. Las aplicaciones en instalaciones públicas, salas de deportes, y en agricultura/silvicultura están excluidas.

Le rogamos que tenga en cuenta que nuestro equipo no ha sido diseñado para ser utilizado en aplicaciones comerciales, de negocios o industriales. Nuestra garantía será anulada si la máquina es utilizada en actividades comerciales, de negocios o industriales o con propósitos análogos.

Las instrucciones de funcionamiento como las suministra el fabricante deben ser guardadas y consultadas para garantizar que la cortadora de césped es utilizada y mantenida debidamente. Las instrucciones contienen información valiosa sobre las condiciones de utilización, mantenimiento y servicio.

¡Importante! Debido al alto riesgo de que el usuario sufra heridas en el cuerpo, la cortadora de césped no deberá ser utilizada para recortar arbustos, setos o matorros; para cortar vegetación a escala, azoteas plantadas, o hierba crecida en un balcón; para limpiar (succionar) suciedad y desechos en aceras, ni para trocear árboles o recortar setos. Además, la cortadora de césped no deberá ser

utilizada como cultivadora a motor para nivelar áreas altas como toperas.

Por razones de seguridad, la cortadora de césped no deberá ser utilizada como unidad de impulsión para otras herramientas o juegos de herramientas de ningún tipo.

1. SÍMBOLOS MARCADOS EN EL PRODUCTO (en la cubierta trasera)



Lea el manual del operario.



Mantenga alejadas a las personas circundantes.



Preste más atención a las manos y los pies del operario para evitar lesiones.



El combustible es inflamable, manténgalo alejado del fuego. No añada combustible con la máquina en funcionamiento.



Humos tóxicos; no la utilice en un espacio cerrado.



Cuando corte, utilice gafas y tapones para los oídos para protegerse.



Durante las reparaciones, retire la bujía y realice las reparaciones de acuerdo con el manual de operaciones.



Precaución: Motor caliente.

2. NORMAS GENERALES DE SEGURIDAD



ADVERTENCIA: Cuando se utilicen herramientas a gasolina, siempre deben tomarse precauciones de seguridad para reducir el riesgo de lesiones personales graves y/o daños en la unidad. Lea todas estas instrucciones antes de utilizar este producto y guárdelas para futuras consultas.



ADVERTENCIA: Esta máquina crea un campo electromagnético durante su funcionamiento. En ciertas circunstancias este campo puede interferir con implantes médicos activos o pasivos. Para reducir el riesgo de lesiones graves o fatales, se recomienda a las personas con implantes médicos que consulten con su doctor y el fabricante del implante médico antes de utilizar esta máquina.

Formación

- Lea las instrucciones atentamente. Familiarícese con los controles y el uso correcto del equipo. Aprenda cómo detener el motor rápidamente.
- Utilice la cortadora de césped solamente con la finalidad para la que se diseñó, es decir, para cortar y recoger césped. Cualquier otro uso puede ser peligroso y puede provocar daños a la máquina. Entre los ejemplos de uso inadecuado se incluye:
 - transporte de personas, niños o animales en la máquina;
 - ser transportado por la máquina;
 - utilizar la máquina para remolcar o empujar cargas;
 - utilizar la máquina para recoger hojas o desechos;
 - utilizar la máquina para recortar setos o para cortar vegetación que no sea césped;
 - uso de la máquina por más de una persona;
 - utilizar la cuchilla en superficies que no sean césped.
- Nunca deje que los niños o personas que no estén familiarizadas con estas instrucciones utilicen la cortadora de césped. Las normas locales pueden restringir la edad del operario.
- Nunca utilice la cortadora de césped:
 - mientras haya cerca personas, especialmente niños, o animales;
 - si el operario ha tomado algún medicamento o alguna sustancia que pueda afectar a su capacidad de reacción y concentración.
- Tenga en cuenta que el operario o el usuario es responsable de los accidentes o situaciones de peligro que se produzcan para otras personas o su propiedad.
- Los operarios deben recibir capacitación apropiada en la utilización, el ajuste y el manejo de la máquina, incluyendo las operaciones prohibidas.

Preparativos

- Mientras corte césped, utilice calzado robusto y pantalones largos. No utilice el equipo cuando esté descalzo o calce sandalias abiertas.
- Inspeccione minuciosamente el área donde se va a utilizar el equipo y retire todos los objetos, como piedras, juguetes, palos y cables, que puedan ser lanzados por la máquina.
- **ADVERTENCIA-** La gasolina es muy inflamable.
 - almacene el combustible en contenedores diseñados específicamente para ese propósito;
 - reposte únicamente en exteriores y no fume durante el repostaje;
 - añada combustible antes de poner en marcha el motor. Nunca retire la tapa del depósito de combustible ni añada gasolina mientras el motor esté funcionando o cuando el motor esté caliente;
 - si se derrama gasolina, no intente poner en marcha el motor, aleje la máquina del área del derrame y no cree ninguna fuente de ignición hasta que se hayan disipado los vapores;
 - vuelva a colocar las tapas del depósito de combustible y del contenedor y fíjelas.
- Sustituya los silenciadores defectuosos.
- Antes del uso, inspeccione visualmente las cuchillas para asegurarse de que los pernos de la cuchilla o el conjunto de la cuchilla no estén gastados o dañados. Sustituya los pernos y las cuchillas gastadas o dañadas en conjuntos para conservar el equilibrio.
- Compruebe regularmente para asegurarse de que todos los enclavamientos del arranque y los controles que requieren la presencia del operario están funcionando debidamente.

Funcionamiento

- No haga funcionar el motor en un espacio cerrado en el que se puedan acumular los peligrosos vapores de monóxido de carbono.
- No utilice la máquina mientras esté cansado, enfermo o bajo la influencia de alcohol u otras drogas.
- ¡Advertencia! No utilice la cortadora de césped cuando haya riesgo de relámpagos.
- Se recomienda limitar la duración de la operación, para minimizar los riesgos derivados del ruido y la vibración.
- Tenga cuidado cuando utilice la cortadora de césped en pendientes y cerca de declives, zanjas o terraplenes.
- Corte el césped solamente de día o con una buena luz artificial.
- No utilice el equipo con césped húmedo cuando sea posible.
- Asegúrese siempre de que mantiene un buen equilibrio en pendientes.
- Camine, nunca corra.
- Para máquinas giratorias con ruedas, corte césped de un lado a otro, nunca arriba y abajo.
- Tenga el máximo cuidado cuando cambie de dirección en pendientes.
- No corte césped en pendientes con una inclinación excesiva.
- Tenga el máximo cuidado cuando invierta la marcha o tire de la cortadora de césped hacia usted.

- Detenga la cuchilla si la cortadora de césped debe inclinarse para su transporte cuando cruce superficies que no sean césped, y cuando la transporte desde y hacia el área en la que debe cortarse el césped.
- Nunca utilice la cortadora de césped con protecciones defectuosas o sin instalar dispositivos de seguridad, por ejemplo deflectores y/o sacos de recogida.
- Precaución: La cortadora de césped no deberá ser utilizada sin estar instalado el recogedor de césped entero o bien el protector de la abertura de descarga de cierre automático.
- No cambie los ajustes del regulador del motor ni lo haga funcionar a un régimen demasiado elevado.
- No altere ni manipule ningún control de velocidad del motor cuyo ajuste esté sellado.
- Los sistemas o características de seguridad de la cortadora de césped no deben ser manipulados ni inhabilitados.
- Desembrague todos los engranajes del motor y las cuchillas antes de poner en marcha el motor.
- Ponga en marcha el motor con cuidado, de acuerdo con las instrucciones, y mantenga los pies alejados de las cuchillas.
- No incline la cortadora de césped cuando ponga en marcha el motor.
- No ponga en marcha el motor cuando permanezca delante del transportador de salida.
- No coloque las manos o los pies cerca o debajo de las piezas que giran. Manténgase alejado de la abertura de salida en todo momento.
- Nunca alce o transporte la cortadora de césped mientras el motor esté en funcionamiento.
- Detenga el motor y desconecte el cable de la bujía, asegúrese de que todas las partes en movimiento se hayan detenido por completo y retire la llave si la hay:
 - antes de despejar atascos o desbloquear el conducto de salida;
 - antes de comprobar, limpiar o trabajar en la cortadora de césped;
 - después de golpear un objeto extraño. Compruebe si la cortadora de césped está dañada y realice las reparaciones antes de volver a poner en marcha la cortadora de césped y utilizarla;
 - si la cortadora de césped empieza a vibrar de modo anómalo (compruébela inmediatamente).
- Detenga el motor y desconecte el cable de la bujía, asegúrese de que todas las partes en movimiento se hayan detenido por completo y retire la llave si la hay:
 - cuando la deje desatendida;
 - antes de repostar.
- Suelte el acelerador durante el apagado y, si el motor cuenta con una válvula de cierre, corte el combustible cuando acabe de cortar el césped.
- Utilice la cortadora de césped solamente con la finalidad para la que se diseñó, para cortar y recoger césped. Cualquier otro uso puede ser peligroso y puede provocar daños a la máquina.
- Nunca almacene el equipo con gasolina en el depósito dentro de un edificio en el que los vapores puedan llegar a una llama o una chispa.
- Deje que el motor se enfríe antes de almacenar el equipo en un lugar cerrado; limpie y haga el mantenimiento a la cortadora de césped antes de almacenarla.
- Para reducir el riesgo de incendio, mantenga el motor, el silenciador, el compartimento de la batería y el área de almacenamiento de gasolina libres de césped, hojas o un exceso de grasa.
- Compruebe el saco de recogida frecuentemente en busca de desgastes o deterioros.
- Reemplace las piezas gastadas o dañadas por su seguridad.
- Si se debe purgar el depósito de combustible, debe realizarse al aire libre.
- Un mantenimiento incorrecto, la utilización de piezas de repuesto no homologadas, o la retirada o modificación de los componentes de seguridad pueden dañar la cortadora de césped y herir gravemente a los operarios.
- Utilice solamente las cuchillas y piezas de repuesto recomendadas por el fabricante. La utilización de piezas no genuinas puede dañar la máquina y herir a los operarios. Mantenga la cortadora de césped en buenas condiciones de trabajo.
- Si el dispositivo de parada de la cuchilla no funciona, póngase en contacto con el centro de servicio para que le ayuden.

Transporte y manipulación

- Cuando la máquina se deba manipular, elevar, transportar o inclinar debe:
 - utilizar guantes de trabajo robustos;
 - sujetar la máquina por los puntos que ofrecen un agarre seguro, teniendo en cuenta el peso y su distribución;
 - utilizar un número adecuado de personas para el peso de la máquina y las características del vehículo o del lugar en el que se debe colocar o del que se debe recoger.
- Durante el transporte, asegure la máquina con cuerdas o cadenas.



ADVERTENCIA: No toque la cuchilla en movimiento.



ADVERTENCIA: Reposte en un área bien ventilada con el motor apagado.

3. DESCRIPCIÓN DE LAS PIEZAS (Fig. 1)

Incluyendo

A: Llave para bujías

Mantenimiento y almacenamiento

- Mantenga todas las tuercas, los pernos y los tornillos apretados para asegurarse de que el equipo está en un estado seguro de funcionamiento.

4. DATOS TÉCNICOS

| | |
|---------------------------------------|------------------------------|
| Modelo | PLM5600N2 |
| Tipo de motor | Serie B&S 675EXI, ReadyStart |
| Autopropulsado | Sí |
| Cilindrada del motor | 163 cm ³ |
| Potencia nominal | 2,6 kW |
| Ancho de la cuchilla | 560 mm |
| Velocidad nominal | 2.800/min |
| Capacidad del depósito de combustible | 1,0 L |
| Capacidad del depósito de aceite | 0,47 L |
| Capacidad del saco de recogida | 70 L |
| Peso neto | 37,2 kg |
| Ajuste de altura | 25-70 mm, 8 ajustes |

| | |
|---|---|
| Modelo | PLM5600N2 |
| Nivel de presión sonora garantizado en la posición del operario (De acuerdo con EN ISO 5395-1 Anexo F y EN ISO 5395-2, EN ISO 4871) | 88,5 dB (A) (K=3 dB (A)) |
| Nivel de potencia sonora medido Nivel de potencia sonora garantizado (de acuerdo con 2000/14/CE) | 96,3 dB (A) K=1,86 dB (A) 98 dB (A) |
| Vibración (De acuerdo con EN ISO 5395-1 Anexo G y EN ISO 5395-2) | 7,90 m/s ² K=1,5 m/s ² |

5. MONTAJE

5-1 MONTAJE DEL MANGO PLEGABLE

1. Fije el mango inferior al soporte del mango con un perno, una arandela y un pomo de bloqueo. (Fig. 2, Fig. 3)
2. Conecte el mango superior y el mango inferior con el pomo de bloqueo. (Fig. 4, Fig. 5)
3. Coloque el cable alrededor del orificio del medio del eje del mango inferior. Fíjelo mediante el acoplamiento del cable y asegúrese de que el cable quede fijado alrededor de la parte exterior del mango. (Fig. 6) De lo contrario, el cable puede pinzarse con la cubierta posterior de apertura/cierre.

5-2 AJUSTE DE UNA ALTURA ADECUADA DEL MANGO

- 1) Desatornille el pomo de bloqueo que fijaba el mango inferior.
- 2) Mueva el mango inferior arriba y abajo, ajústelo a la altura adecuada. Se puede elegir entre 3 alturas de ajuste en este tipo de cortadora de césped; en la posición 1, el mango inferior en el suelo es la superior; en la posición 3, el mango inferior en el suelo es la inferior. (Fig. 7)
- 3) Tras ajustar el mango inferior a la altura correcta, fíjelo con el pomo de bloqueo. (Fig. 8)

5-3 MONTAJE Y DESMONTAJE DEL SACO DE RECOGIDA

1. Para montarlo: Levante la cubierta trasera y enganche el saco de recogida a la parte posterior de la cortadora de césped. (Fig. 9, Fig. 10)
2. Para extraerlo: Sujete y levante la cubierta trasera y retire el saco de recogida.

5-4 MANGO DEL MOTOR DE ARRANQUE

Mueva el mango del motor de arranque del motor a la guía de la cuerda. (Fig. 11)

5-5 ALTURA DE CORTE

Ejerza una presión hacia fuera para desenganchar la palanca del bastidor. Mueva la palanca hacia delante o hacia atrás para ajustar la altura. (Fig. 12 y punto 7-9)

6. FUNCIÓN

Estas cortadoras de césped se pueden adaptar desde su función normal, en función de la finalidad de la aplicación: De la cortadora de césped con recogida trasera a:

1. Cortadora de mulching o
2. Cortadora de césped de descarga lateral.

¿Qué es el mulching?

Cuando realice la operación de mulching, el césped se cortará en un paso y después se triturará en fragmentos muy pequeños y se devolverá a la tira de césped como fertilizante natural.

Consejos para el corte de césped con mulching:

- Recorte normal con una altura máxima de césped de 2 cm, de 6 cm a 4 cm.
- Use una cuchilla de corte afilada.
- No corte césped húmedo.
- Ajuste la máxima velocidad del motor.
- Desplácese solamente al paso de trabajo.
- Limpie regularmente la cuña para mulching, el lado interior del chasis y la cuchilla de corte de césped.

Inicio de la operación

6-1 Adaptación para la cortadora de mulching



ADVERTENCIA: Solamente con el motor parado y la cuchilla detenida.

1. Levante la cubierta posterior y retire el saco de recogida.
2. Empuje la cuña de mulching hacia la cubierta. Bloquee la cuña de mulching con el botón en la apertura de la cubierta. (Fig. 13, Fig. 14)
3. Vuelva a bajar la cubierta posterior. (Fig. 15)
4. Levante la tapa lateral y extraiga el canal lateral de descarga.

6-2 Reajuste para el corte con descarga lateral



¡Solamente cuando el motor y la cuchilla de corte están detenidos!

1. Levante la cubierta posterior y retire el saco de recogida.

- Empuje la cuña de mulching hacia la cubierta. Bloquee la cuña de mulching con el botón en la apertura de la cubierta.
- Levante la tapa lateral para la descarga lateral. (Fig. 16)
- Monte el canal de descarga lateral para la descarga lateral en el pasador de soporte de la tapa lateral. (Fig. 17)
- Baje la tapa lateral; la tapa descansará sobre el canal de descarga lateral. (Fig. 18)

6-3 Corte de césped con el saco de recogida



ADVERTENCIA: Solamente cuando el motor y la cuchilla de corte están detenidos.

Para cortar césped con el saco de recogida, retire la cuña de mulching y el canal de descarga lateral para la descarga lateral y monte el saco de recogida.

- Extracción de la cuña de mulching.
 - Levante la cubierta posterior y retire la cuña de mulching.
- Para retirar el canal de descarga para descarga lateral.
 - Levante el alerón de costado y retire el canal de descarga lateral.
 - El alerón de costado cierra automáticamente la abertura de descarga del alojamiento por medio de la fuerza del muelle.
 - Limpie regularmente el alerón de costado y las formas de la abertura de descarga de restos de hierba y suciedad adherida.
- Montaje del saco de recogida.
 - Levante la cubierta trasera y enganche el saco de recogida a la parte posterior de la cortadora de césped.

7. INSTRUCCIONES DE FUNCIONAMIENTO

7-1 ANTES DE EMPEZAR

Reposte gasolina y aceite en el motor tal y como se indica en el manual de instrucciones del motor que se incluye por separado con la cortadora de césped. Lea las instrucciones atentamente. (Fig. 19, Fig. 20, Fig. 21)



ADVERTENCIA: La gasolina es muy inflamable. Almacene el combustible en contenedores diseñados específicamente para ese propósito.

Reposte solamente al aire libre, antes de poner en marcha el motor y no fume mientras reposta o manipula el combustible.

Nunca retire la tapa del depósito de combustible ni añada gasolina mientras el motor está funcionando o cuando el motor esté caliente.

Si se derrama gasolina, no intente poner en marcha el motor, aleje la máquina del área del derrame y no cree ninguna fuente de ignición hasta que se hayan disipado los vapores.

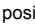
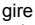

Vuelva a colocar las tapas del depósito de combustible y del contenedor y fíjelas.

Antes de inclinar la cortadora de césped para realizar el mantenimiento de la cuchilla o drenar el aceite, retire el combustible del depósito.



ADVERTENCIA: Nunca rellene el depósito de combustible en un recinto cerrado, con el motor funcionando o cuando el motor no se haya dejado enfriar durante 15 minutos como mínimo tras su uso.

7-2 PARA PONER EN MARCHA EL MOTOR Y ENGRANAR LA CUCHILLA

- La unidad está equipada con un capuchón de goma sobre el extremo de la bujía, asegúrese de que el bucle metálico del cable de la bujía (dentro del capuchón de goma) esté fijado firmemente en la punta metálica de la bujía.
- Cuando vaya a arrancar el motor en frío o en caliente, gire la palanca de velocidad del motor a cualquier posición entre “” y “”. Durante la operación, gire la palanca de velocidad del motor a la posición “”. (Fig. 22)
- Colóquese detrás de la unidad, agarre el mango de control de freno y sujételo contra el mango superior, como se muestra en la Fig. 23.
- Sujete el mango del motor de arranque como se muestra en la Fig. 23 y tire de él rápidamente. Devuélvalo lentamente al perno de guía de la cuerda después de que el motor se haya puesto en marcha. Suelte el mango de control de freno para detener el motor y la cuchilla.



Ponga en marcha el motor con cuidado de acuerdo con las instrucciones y mantenga los pies alejados de la cuchilla.



No incline la cortadora de césped cuando ponga en marcha el motor. Ponga en marcha la cortadora de césped en una superficie plana, sin césped alto ni obstáculos.



Mantenga las manos y los pies alejados de las partes giratorias. No ponga en marcha el motor cuando permanezca delante de la abertura de salida.

7-3 PROCEDIMIENTOS DE UTILIZACIÓN

Durante el uso, sujete firmemente el mango de control de freno con ambas manos.



Nota: Durante el uso, cuando se suelte el mango de control de freno, el motor se detendrá y, por lo tanto, se detendrá la cortadora de césped.



Advertencia: Para evitar cualquier arranque no deseado de la cortadora de césped, esta viene equipada con un freno del motor que debe ser empujado hacia atrás antes de poder arrancar el motor. Cuando la palanca de control del motor sea soltada deberá volver a su posición inicial, punto en el que el motor se apaga automáticamente.



Nota: Freno del motor (mango del freno): Utilice la palanca para parar el motor. Cuando suelte la palanca el motor y la cuchilla se pararán automáticamente. Para segar, mantenga la palanca en posición de trabajo. Antes de comenzar a segar, compruebe la palanca de inicio/parada varias veces para asegurarse de que está funcionando debidamente. Asegúrese de que el cable de tensión se puede manejar suavemente (es decir, que no está enganchado o retorcido de ninguna forma).

7-4 PARA DETENER EL MOTOR





PRECAUCIÓN: La cuchilla sigue girando durante unos segundos después de apagar el motor.

1. Suelte el mango de control de freno para detener el motor y la cuchilla. (Fig. 24)
2. Desconecte y conecte a tierra el cable de la bujía tal y como se indica en el manual del motor para evitar la puesta en marcha accidental mientras el equipo está desatendido.

7-5 CONEXIÓN PARA EL MOVIMIENTO AUTOMÁTICO

La cortadora de césped cuenta con un sistema de ajuste de velocidad con 3 ajustes de velocidad de 3,0 km/h a 4,5 km/h.

Posición “”: la posición más lenta; Posición “”: la posición más rápida. (Fig. 25)

Los pasos de ajuste son:

1. Suelte el mango de control de autopropulsión hasta que la cortadora de césped no avance.
2. Ajuste la velocidad que desee.
3. Agarre el mango de control de autopropulsión para continuar cortando el césped. (Fig. 26)



PRECAUCIÓN: La cortadora de césped se ha diseñado para cortar césped normal de zonas residenciales de una altura no superior a 250 mm. No intente cortar césped inusualmente alto o césped húmedo (p. ej. una zona de pastura) o montones de hojas secas. Se pueden acumular restos en la cubierta de la cortadora de césped o pueden entrar en contacto con la salida de gases del motor y provocar un riesgo de incendio.

7-6 PARA OBTENER LOS MEJORES RESULTADOS DURANTE LA OPERACIÓN DE CORTE DE CÉSPED

Limpie el césped de escombros. Asegúrese de que el césped esté libre de piedras, palos, cables u otros objetos extraños que pudieran salir despedidos accidentalmente de la cortadora de césped en cualquier dirección y que podrían provocar lesiones personales graves al operario y a terceros, así como a la propiedad y objetos circundantes. No corte césped húmedo. Para lograr una operación de corte de césped eficaz, no corte césped húmedo, ya que tiende a adherirse a la parte inferior de la cubierta, lo que impide una operación de corte de césped correcta del césped cortado. No corte más de 1/3 de la

longitud del césped. El corte recomendado para la operación de corte de césped es de 1/3 de la longitud del césped. La velocidad de desplazamiento se deberá ajustar para que el césped cortado se disperse uniformemente sobre el terreno. Para los cortes especialmente pesados en césped grueso, puede ser necesario usar una de las velocidades más lentas para obtener un corte con la operación de corte de césped bien realizada. Cuando realice la operación de corte de césped sobre césped largo, quizás deba cortar el césped en dos pasadas, bajando la cuchilla otro 1/3 de la longitud para el segundo corte y quizás deba cortar en un patrón diferente del que se utilizó por primera vez. Un solapamiento ligero del corte en cada pasada también ayudará a eliminar los recortes de césped compactados que hayan quedado en el césped. La cortadora de césped siempre se debe utilizar con el acelerador al máximo para obtener el mejor corte y permitir que se realice el trabajo de corte de césped más efectivo posible. Limpie la parte inferior de la cubierta. Asegúrese de limpiar la parte inferior de la cubierta de corte después de cada uso para evitar la acumulación de césped, que impediría una operación de mulching correcta. Corte de hojas. La operación de corte de hojas también puede ser beneficiosa para el césped. Cuando realice la operación de corte de hojas, asegúrese de que estén secas y que no estén apiladas a demasiada altura sobre el césped. No espere a que caigan todas las hojas de los árboles antes de realizar la operación de corte.



ADVERTENCIA: Si golpea un objeto extraño, detenga el motor. Retire el cable de la bujía, inspeccione detenidamente la cortadora de césped en busca de daños y repárelos antes de volver a poner en marcha y usar la cortadora de césped. Una vibración importante de la cortadora de césped durante el uso es un indicador de daños. La unidad debe inspeccionarse y repararse inmediatamente.

7-7 SACO DE RECOGIDA

Hay una ventana transparente en la cubierta trasera en la que puede ver el estado del césped en el saco de recogida.

Si el saco de recogida está lleno de césped, deberá vaciarlo y limpiarlo, asegurarse de que esté limpio y que la malla esté ventilada. (Fig. 27)

7-8 CUBIERTA

La parte inferior de la cubierta de la cortadora de césped debe limpiarse después de cada uso para evitar la acumulación de césped cortado, hojas, suciedad u otras materias. Si se permite la acumulación de residuos, se favorecerá la aparición de óxido y la corrosión y se puede impedir la realización correcta de mulching. Para limpiar la cubierta incline la cortadora de césped y rasque la suciedad con una herramienta adecuada (asegúrese de que el cable de la bujía esté desconectado).

7-9 INSTRUCCIONES DE AJUSTE DE ALTURA



PRECAUCIÓN: No realice nunca ningún ajuste a la cortadora de césped sin detener el motor primero y desconectar el cable de la bujía.



PRECAUCIÓN: Antes de cambiar la altura de corte, detenga la cortadora de césped y desconecte el cable de la bujía.

La cortadora de césped está equipada con una palanca de ajuste de altura central que ofrece 8 posiciones de altura.

1. Detenga la cortadora de césped y desconecte el cable de la bujía antes de cambiar la altura de corte de la cortadora de césped.
2. La palanca central de ajuste de altura ofrece 8 posiciones de altura diferentes.

Para cambiar la altura de corte, apriete la palanca de ajuste hacia la rueda, subiendo o bajando hasta la altura seleccionada.

Todas las ruedas deben estar a la misma altura de corte. (Fig. 28)

8. INSTRUCCIONES DE MANTENIMIENTO

BUJÍA

Utilice solamente bujías de recambio originales. Para lograr los mejores resultados, sustituya la bujía cada 100 horas de uso.

PASTILLAS DE FRENO

Compruebe y sustituya regularmente las pastillas de freno del motor en un agente de servicio, para la sustitución solamente se pueden utilizar piezas originales.

9. INSTRUCCIONES DE LUBRICACIÓN



PRECAUCIÓN: DESCONECTE LA BUJÍA ANTES DE CUALQUIER TAREA DE MANTENIMIENTO.

1. RUEDAS-Lubrique los cojinetes de cada rueda, como mínimo una vez cada temporada, con un aceite ligero.
2. MOTOR-Siga las instrucciones de lubricación del manual del motor.

10. LIMPIEZA



PRECAUCIÓN: No lave el motor con una manguera. El agua puede dañar el motor o contaminar el sistema de combustible.

1. Seque la cubierta con un paño seco.
2. Lave con una manguera debajo de la cubierta, inclinando la cortadora de césped de forma que la bujía esté hacia arriba.

10-1 FILTRO DE AIRE DEL MOTOR



PRECAUCIÓN: No permita que el polvo o la suciedad obstruyan el elemento de espuma de filtro de aire. El elemento de filtro de aire del motor debe revisarse (limpiarse) tras 25 horas de corte normal. El elemento de espuma debe revisarse regularmente si la cortadora de césped se utiliza en condiciones de polvo en un ambiente seco.

Para LIMPIAR EL FILTRO DEL AIRE

1. Levante la lengüeta de la cubierta del filtro. (Fig. 29)
2. Extraiga la cubierta del filtro.
3. Lave el elemento de filtro con agua jabonosa. ¡NO UTILICE GASOLINA!
4. Deje secar el elemento de filtro.
5. Ponga unas pocas gotas de aceite SAE30 en el filtro de espuma y apriételo bien para eliminar cualquier exceso de aceite.
6. Vuelva a instalar el filtro.
7. Cierre la tapa del filtro.

NOTA: Sustituya el filtro si está desgastado, rasgado, dañado o si no se puede limpiar.

10-2 CUCHILLA DE CORTE



PRECAUCIÓN: Asegúrese de desconectar el cable de la bujía y conectarlo a tierra antes de realizar trabajos en la cuchilla de corte para evitar la puesta en marcha accidental del motor. Proteja las manos usando guantes gruesos o un trapo para agarrar las cuchillas de corte. Incline la cortadora de césped tal y como se indica en el manual del motor que se incluye por separado. Extraiga el perno hexagonal y la arandela que sujetan la cuchilla y el adaptador de la cuchilla al cigüeñal del motor. Retire la cuchilla y el adaptador del cigüeñal.



ADVERTENCIA: Inspeccione periódicamente el adaptador en busca de grietas, especialmente si ha golpeado un objeto extraño. Sustitúyalo cuando sea necesario.

Para lograr los mejores resultados, la cuchilla debe estar afilada. Para volver a afilar la cuchilla, quítela y afílela o límla manteniendo el borde de corte lo más parecido posible al bisel original. Es muy importante que cada borde de corte sea amolado por igual para evitar que la cuchilla esté desequilibrada. Un equilibrio incorrecto de la cuchilla provocará un exceso de vibración y daños al motor y la cortadora de césped. Tenga cuidado de equilibrar la cuchilla tras volver a afilarla. Se puede probar el equilibrio de la cuchilla colocándola en equilibrio sobre el eje de un destornillador. Rebaje metal del lado pesado hasta que esté bien equilibrada. (Fig. 30)

Antes de volver a montar la cuchilla y el adaptador de cuchilla en la unidad, lubrique el cigüeñal del motor y la superficie interior del adaptador de la cuchilla con aceite ligero. Instale la cuchilla y el adaptador en el cigüeñal. Consulte la Fig. 30. Coloque la cuchilla con el número de pieza en el lado opuesto al adaptador. Alinee la arandela con la cuchilla e inserte el perno hexagonal. Apriete el perno hexagonal con el par de apriete que se indica más abajo.

10-3 PAR DE APRIETE DE MONTAJE DE LA CUCHILLA

Perno central 40 Nm - 50 Nm, para garantizar un uso seguro de la unidad. Debe comprobarse el correcto apriete de TODAS las tuercas y TODOS los pernos. Tras un uso prolongado, especialmente en condiciones de suelo arenoso, la cuchilla se gastará y perderá parte del afilado original. La eficacia del corte se verá reducida y la cuchilla se deberá sustituir. Sustitúyala únicamente con una cuchilla de recambio aprobada de fábrica. Los posibles daños resultantes del estado de desequilibrio de la cuchilla no son responsabilidad del fabricante. Cuando cambie la cuchilla, debe usar el tipo original marcado en ella (MAKITA 263001171) (para realizar el pedido de una cuchilla, póngase en contacto con su distribuidor local o llame a nuestra compañía, consulte la portada).

10-4 MOTOR

Consulte las instrucciones de mantenimiento del motor en el manual del motor que se proporciona por separado. Mantenga el aceite del motor tal y como se indica en el manual del motor que se incluye por separado con su unidad. Lea y siga las instrucciones atentamente. Realice un mantenimiento del filtro de aire de acuerdo con el manual del motor que se proporciona por separado, bajo condiciones normales.

Límpielo cada pocas horas en condiciones de polvo extremo. Un mal rendimiento del motor y un ahogo del mismo suelen indicar que debería realizarse el mantenimiento del filtro del aire.

Para realizar el mantenimiento del filtro del aire, consulte el manual del motor que se proporciona con la unidad. La bujía debe limpiarse y su holgura se debe reajustar una vez por temporada. Se recomienda sustituir la bujía al principio de cada temporada de corte de césped; compruebe las especificaciones de holgura y el tipo correcto de bujía en el manual del motor. Limpie el motor regularmente con un paño o un cepillo. Mantenga el sistema de refrigeración (área de alojamiento del ventilador) limpio para permitir una correcta circulación del aire, que es esencial para el rendimiento y la duración del motor. Asegúrese de quitar todo el césped, la suciedad y los restos de combustible del área del silenciador.

11. INSTRUCCIONES DE ALMACENAMIENTO (FUERA DE TEMPORADA)

Deben seguirse estos pasos para preparar la cortadora de césped para su almacenamiento.

1. Vacíe el depósito después de la última sesión de corte de césped.
 - a) Vacíe el depósito de combustible con una bomba de succión.



PRECAUCIÓN: No drene el combustible en habitaciones cerradas, cerca de fuego abierto, etc. ¡No fume! Los vapores del combustible pueden causar una explosión o un incendio.

- b) Ponga en marcha el motor y déjelo funcionando hasta que se haya agotado el combustible y se cale.
 - c) Extraiga la bujía. Utilice una lata de aceite para llenar aprox. 20 ml de aceite en la cámara de combustión. Accione el motor de arranque para distribuir uniformemente el aceite en la cámara de combustión. Sustituya la bujía.
2. Limpie y engrase la cortadora de césped con cuidado tal y como se describe en "INSTRUCCIONES DE LUBRICACIÓN".
 3. Engrase ligeramente la cuchilla para evitar la corrosión.
 4. Almacene la cortadora de césped en un lugar seco, limpio y fuera del alcance de personas no autorizadas.



PRECAUCIÓN: El motor debe haberse enfriado por completo antes de almacenar la cortadora de césped.



NOTA:

- Cuando almacene cualquier tipo de equipo con motor en un recinto sin ventilar o de almacenamiento de material.
- Debe tener cuidado de proteger el equipo contra el óxido. Recubra el equipo, especialmente los cables y las piezas móviles, con aceite ligero o silicona.
- Tenga cuidado de no doblar o rizar los cables.
- Si la cuerda del motor de arranque se desconecta de la guía de cuerda del mango, desconecte el cable de la bujía y conéctelo a tierra, suelte el mango de control de la cuchilla y tire de la cuerda del motor de arranque ligeramente para extraerla del motor. Deslice la cuerda del motor de arranque en el perno de guía de la cuerda del mango.

Transporte

Apague el motor y deje que se enfríe. Después desconecte el cable de la bujía y vacíe el depósito de combustible de acuerdo con las instrucciones en el manual del motor. Asegúrese de no doblar o dañar la cuchilla cuando empuje la cortadora de césped sobre obstáculos.

12. SOLUCIÓN DE PROBLEMAS

| PROBLEMA | CAUSA PROBABLE | ACCIÓN CORRECTORA |
|---|---|---|
| El motor no se enciende. | El estrangulador del acelerador no está en la posición correcta para las condiciones predominantes. | Mueva el estrangulador del acelerador a la posición correcta. |
| | El depósito de combustible está vacío. | Llene el depósito con combustible: consulte el MANUAL DEL PROPIETARIO DEL MOTOR. |
| | El elemento de filtro de aire está sucio. | Limpie el elemento de filtro de aire: consulte el MANUAL DEL PROPIETARIO DEL MOTOR. |
| | Bujía floja. | Apriete la bujía a 25 - 30 Nm. |
| | Cable de la bujía flojo o desconectado de la bujía. | Coloque el cable de la bujía en la bujía. |
| | La holgura de la bujía es incorrecta. | Ajuste la holgura entre los electrodos entre 0,7 y 0,8 mm. |
| | La bujía es defectuosa. | Instale una bujía nueva y con la holgura correcta: consulte el MANUAL DEL PROPIETARIO DEL MOTOR. |
| | El carburador está inundado de combustible. | Retire el filtro de aire y tire de la correa del motor de arranque hasta que el carburador se limpie e instale el elemento de filtro. |
| | Módulo de ignición defectuoso. | Póngase en contacto con el agente de servicio técnico. |
| El motor tiene dificultades para ponerse en marcha o pierde potencia. | El contenido del depósito de combustible está sucio, tiene agua o está caducado. | Drene el combustible y limpie el depósito. Llene el depósito con combustible nuevo y limpio. |
| | El orificio de ventilación del depósito de combustible está obstruido. | Limpie o sustituya la tapa del depósito de combustible. |
| | El elemento de filtro de aire está sucio. | Limpie el elemento de filtro de aire. |
| El motor funciona de forma errática. | La bujía es defectuosa. | Instale una bujía nueva y con la holgura correcta: consulte el MANUAL DEL PROPIETARIO DEL MOTOR. |
| | La holgura de la bujía es incorrecta. | Ajuste la holgura entre los electrodos entre 0,7 y 0,8 mm. |
| | El elemento de filtro de aire está sucio. | Limpie el elemento de filtro de aire: consulte el MANUAL DEL PROPIETARIO DEL MOTOR. |
| Bajo ralenti del motor. | El elemento de filtro de aire está sucio. | Limpie el elemento de filtro de aire: consulte el MANUAL DEL PROPIETARIO DEL MOTOR. |
| | Las ranuras de aire del compartimento del motor están bloqueadas. | Retire los residuos de las ranuras. |
| | Las aletas de ventilación y los conductos de aire debajo del alojamiento del ventilador del motor están bloqueados. | Retire los residuos de las aletas de ventilación y de los conductos de aire. |
| El motor da sacudidas a alta velocidad. | La holgura entre los electrodos de la bujía es demasiado estrecha. | Ajuste la holgura entre los electrodos entre 0,7 y 0,8 mm. |
| El motor se recalienta. | El flujo de aire de refrigeración está obstruido. | Retire cualquier residuo de las ranuras del alojamiento del ventilador y los conductos de aire. |
| | Bujía incorrecta. | Instale una bujía y aletas de refrigeración originales en el motor. |
| La cortadora de césped vibra de forma anómala. | El conjunto de corte está suelto. | Apriete la cuchilla. |
| | El conjunto de corte está desequilibrado. | Equilibre la cuchilla. |

13. ENTORNO

Si la máquina debe sustituirse tras un uso extensivo, no la deseche con los residuos domésticos, sino de una forma segura para el medioambiente.

14. DECLARACIÓN CE DE CONFORMIDAD

Sólo para países europeos

La declaración CE de conformidad está incluida como Anexo A de este manual de instrucciones.

Descrição geral

- | | | |
|--|------------------------------------|---|
| 1. Pega de controlo do travão | 9. Alavanca de regulação da altura | 18. Manípulo de regulação de velocidade |
| 2. Pega superior | 10. Canal de descarga lateral | 19. Barra de "mulching" |
| 3. Pega de controlo de avanço automático | 11. Alheta lateral | 20. Botão |
| 4. Alavanca do afogador | 12. Carenagem | 21. Tampão/vareta do óleo |
| 5. Pega do motor de arranque | 13. Vela de ignição | 22. Máx: limite superior |
| 6. Guia do cabo | 14. Tampão de combustível | 23. Mín: limite inferior |
| 7. Manípulo de bloqueio | 15. Tampão do óleo | 24. Patilha |
| 8. Colector de relva | 16. Grampo do cabo | 25. Tampa de filtro |
| | 17. Pega inferior | |



AVISO:

Para sua própria segurança, leia este manual antes de tentar utilizar a nova unidade. O não cumprimento das instruções pode resultar em ferimentos pessoais graves. Gaste alguns momentos a familiarizar-se com o cortador de grama antes de cada utilização. Mantenha este manual num local seguro de forma a que as informações estejam sempre disponíveis. Se der o equipamento a qualquer outra pessoa, entregue estas instruções de funcionamento, bem como as normas de segurança.

Utilização pretendida

O equipamento só pode ser utilizado para as tarefas para as quais foi concebido. Qualquer outro tipo de utilização é considerado um caso de má utilização. O utilizador/operador, e não o fabricante, será responsável por qualquer dano ou ferimentos de qualquer tipo provocados como resultado da mesma.

O cortador de grama a gasolina foi concebido para utilização privada, ou seja, para utilização em ambientes domésticos e de jardinagem.

A utilização privada do cortador de grama refere-se a um tempo de funcionamento anual que, geralmente, não excede as 50 horas, durante as quais a máquina é principalmente utilizada para manter relvados residenciais de pequena escala e jardins domésticos/de tempos livres. As aplicações em instalação públicas, zonas desportivas e agricultura/silvicultura estão excluídas.

Tenha em conta que os nossos equipamentos não foram concebidos para utilização em aplicações comerciais, de negócio ou industriais. A nossa garantia será anulada se a máquina for utilizada em aplicações comerciais, de negócio ou industriais ou para fins equivalentes.

As instruções de funcionamento tal como são fornecidas pelo fabricante têm de ser guardadas e observadas como referência para garantir que o cortador de grama é utilizado e mantido de forma adequada. As instruções contêm informações importantes sobre as condições de funcionamento, manutenção e assistência técnica. Importante! Devido ao elevado risco de ferimentos pessoais para o utilizador, o cortador de grama não pode ser utilizado para podar arbustos, sebes ou plantas, para cortar vegetação escalada, telhados com vegetação ou relva em varandas, para limpar (aspirar) sujidade e resíduos de passeios ou para desfazer resíduos de árvores ou sebes. Além disso, o cortador de grama não pode ser utilizado como cultivador elétrico para nivelar

áreas elevadas, como os montículos de terra deixados pelas toupeiras.

Por razões de segurança, o cortador de grama não pode ser utilizado como unidade de transporte de outras ferramentas de trabalho ou kits de ferramentas de qualquer tipo.

1. SÍMBOLOS MARCADOS NO PRODUTO (na tampa traseira)



Leia o manual de utilizador.



Mantenha as pessoas afastadas.



Preste mais atenção às mãos e pés do utilizador para evitar ferimentos.



O combustível é inflamável, mantenha-o afastado do fogo. Não abasteça combustível com a máquina em funcionamento.



Fumos tóxicos; não utilizar dentro de casa.



Quando transportar, use os óculos e tampões para os ouvidos para proteger o próprio utilizador.



Quando reparar, retire a vela de ignição e, de seguida, repare-a de acordo com o manual de operações.



Precaução: Motor quente.

2. REGRAS GERAIS DE SEGURANÇA



AVISO: Quando utilizar ferramentas a gasolina, devem ser sempre cumpridas as precauções de segurança básicas, incluindo as que se seguem, de forma a reduzir o risco de ferimentos pessoais graves e/ou danos na unidade. Leia todas as instruções antes de utilizar este produto e guarde estas instruções para referência futura.



AVISO: Esta máquina produz um campo electromagnético durante o funcionamento. Em certas circunstâncias, este campo pode interferir com implantes médicos activos ou passivos. Para reduzir o risco de ferimentos graves ou fatais, é aconselhável que as pessoas com implantes médicos consultem o seu médico e o fabricante do implante antes de utilizar esta máquina.

Formação

- Leia atentamente as instruções. Familiarize-se com os controlos e a utilização adequada do equipamento. Aprenda a parar rapidamente o motor.
- Utilize apenas o cortador de grama para a finalidade para a qual foi concebido, cortar e recolher relva. Qualquer outra finalidade pode ser perigosa, causando danos na máquina. Exemplos de utilização incorrecta podem incluir, mas não estão limitados a:
 - transporte de pessoas, crianças ou animais na máquina;
 - ser transportado pela máquina;
 - utilização da máquina para rebocar ou empurrar cargas;
 - utilização da máquina para a recolha de folhas ou resíduos;
 - utilização da máquina para aparar sebes ou para cortar vegetação que não relva;
 - utilização da máquina por mais de uma pessoa;
 - utilização da lâminas em superfícies que não relva.
- Nunca permita que crianças ou pessoas não familiarizadas com estas instruções utilizem o cortador de grama. As regulamentações locais podem restringir a idade do operador.
- Nunca utilize o cortador de grama:
 - quando pessoas, especialmente, crianças ou animais estão por perto;
 - se o operador tiver tomar medicamentos ou substâncias que podem afectar a capacidade de reagir e concentrar-se.
- Lembre-se que o operador ou o utilizador é responsável pelos acidentes ou perigos que ocorrem a outras pessoas ou à sua propriedade.

- Os operadores têm de receber formação adequada sobre a utilização, ajuste e funcionamento da máquina, incluindo as operações proibidas.

Preparação

- Durante o corte, use sempre calçado adequado e calças longas. Não utilize o equipamento descalço ou usando sandálias abertas.
- Inspeccione profundamente a área em que vai utilizar o equipamento e retire todos os objetos, como pedras, brinquedos, paus e fios que possam ser arremessados pela máquina.
- **AVISO-** A gasolina é altamente inflamável.
 - guarde o combustível em recipientes especificamente concebidos para esta finalidade;
 - apenas abasteça no exterior e não fume durante o abastecimento;
 - abasteça de combustível antes de ligar o motor. Nunca retire o tampão do depósito de combustível ou abasteça de combustível enquanto o motor está em funcionamento ou quando o motor está quente;
 - se a gasolina for derramada, não tente ligar o motor, afaste a máquina da área de derrame e evite criar qualquer fonte de ignição até os vapores de gasolina se dissiparem;
 - substitua com segurança todos os tampões de depósito de combustível e de recipientes.
- Substitua os silenciadores avariados.
- Antes de utilizar, inspeccione sempre visualmente para se certificar de que as lâminas, parafusos das lâminas e o conjunto do cortador não estão gastos ou danificados. Substitua as lâminas e parafusos gastos e danificados por conjuntos para preservar o equilíbrio.
- Verifique regularmente para garantir que todos os controlos de interbloqueios de arranque e aqueles que exigem a presença do operador estão a funcionar corretamente.

Funcionamento

- Não ligue o motor num espaço reduzido onde fumos de monóxido de carbono perigosos podem acumular-se.
- Não utilize a máquina quando estiver cansado, doente ou sob a influência do álcool e outras drogas.
- **Advertência!** Não utilize o cortador de grama quando há risco de trovoada.
- Recomenda-se a limitação da duração do funcionamento para minimizar os riscos de ruído e vibração.
- Tenha cuidado quando utilizar o cortador de grama em planos inclinados e junto de declives, taludes ou valas.
- Corte a relva apenas durante o dia ou com uma boa luz artificial.
- Evite operar o equipamento na relva molhada, quando possível.
- Certifique-se de que tem sempre um bom apoio de pés nos declives.
- Caminhe, nunca corra.
- Para máquinas com rodas, corte a relva nos declives na transversal, nunca para cima e para baixo.
- Tenha muito cuidado quando mudar de direcção nos declives.
- Não corte a relva em declives com uma inclinação excessiva.

- Tenha muito cuidado quando recuar ou puxar o cortador de grama na sua direcção.
- Pare a(s) lâmina(s) se o cortador de grama tiver de ser inclinado para transporte quando atravessar superfícies que não relva e quando transportar o cortador de grama de e para a área a cortar.
- Nunca opere o cortador de grama com protecções defeituosas ou sem dispositivos de segurança, por exemplo, deflectores e/ou colectores de relva, em posição.
- Precaução: O cortador de grama não deve ser utilizado sem ter o coletor de relva completo ou o resguardo da abertura de descarga de fecho automático instalado no lugar.
- Não altere as definições do regulador do motor nem utilize o motor a velocidades exageradas.
- Não altere nem modifique com qualquer ajuste vedado para o controlo de velocidade do motor.
- Os sistemas de segurança ou as funcionalidades do cortador de grama não devem ser modificados nem desativados.
- Desengrene todas as embraiagens da lâmina e da transmissão antes de ligar o motor.
- Ligue cuidadosamente o motor de acordo com as instruções e com os pés afastados da(s) lâmina(s).
- Não incline o cortador de grama quando liga o motor.
- Não ligue o motor quando se encontrar em frente ao canal de escoamento.
- Não coloque as mãos ou os pés perto ou debaixo das peças rotativas. Mantenha-se sempre afastado da abertura de descarga.
- Nunca desloque ou transporte um cortador de grama com o motor em funcionamento.
- Pare o motor e desligue o fio da vela de ignição, certifique-se de que todas as peças móveis pararam por completo e retire a chave do seu local:
 - antes de eliminar bloqueios ou desentupir o canal de escoamento;
 - antes de verificar, limpar ou efectuar reparações no cortador de grama eléctrico;
 - após bater num objecto estranho. Inspeccione o cortador de grama eléctrico por danos e efectue reparações antes de ligar e operar novamente o cortador de grama eléctrico;
 - se o cortador de grama eléctrico começar a vibrar de forma estranha (verifique imediatamente).
- Pare o motor e desligue o fio da vela de ignição, certifique-se de que todas as peças móveis pararam por completo e retire a chave do seu local:
 - sempre que abandonar o cortador de grama;
 - antes de abastecer com combustível.
- Reduza a definição do acelerador durante a paragem do motor e, se o motor estiver equipado com uma válvula de corte, desligue o combustível no final do corte.
- Utilize apenas o cortador de grama para a finalidade para a qual foi concebido, cortar e recolher relva. Qualquer outra finalidade pode ser perigosa, causando danos na máquina.
- Nunca guarde o equipamento com gasolina no depósito dentro de um edifício onde os fumos possam alcançar chamas livres ou faíscas.
- Deixe o motor arrefecer antes de guardar em qualquer zona cercada; Limpe e mantenha o cortador de grama antes de o armazenar.
- Para reduzir os perigos de incêndio, mantenha a área de armazenamento do motor, silenciador, compartimento da bateria e gasolina isenta de relva, folhas ou massa lubrificante excessiva.
- Verifique frequentemente o colector de relva por desgaste e deterioração.
- Por razões de segurança, substitua as peças gastas ou danificadas.
- Se o depósito de combustível tiver de ser drenado, isto pode executado no exterior.
- Uma manutenção inadequada, a utilização de componentes de substituição que não estejam em conformidade com os recomendados ou a remoção ou modificação dos componentes de segurança podem danificar o cortador de grama e ferir gravemente o operador.
- Utilize apenas as lâminas e as peças de substituição recomendadas pelo fabricante. A utilização de peças não-genuínas pode danificar a máquina e ferir os operadores. Mantenha o cortador de grama em boas condições de trabalho.
- Se o dispositivo de paragem da lâmina não funcionar, contacte o centro de assistência para obter ajuda.

Transporte e manuseamento

- Sempre que a máquina for utilizada, levantada, transportada ou inclinada, tem de:
 - usar luvas de trabalho robustas;
 - agarrar a máquina nos pontos que oferecem um agarre seguro, tendo em conta o peso e a distribuição;
 - utilizar um número adequado de pessoas para o peso da máquina e as características do veículo ou do local onde vai ser colocada ou recolhida.
- Durante o transporte, fixe bem a máquina com cordas ou correntes.



AVISO: Não toque na lâmina rotativa.



AVISO: Abasteça com combustível numa área bem ventilada com o motor desligado.

3. DESCRIÇÃO DAS PEÇAS (Fig. 1)

Incluindo

A: Chave de vela de ignição

Manutenção e armazenamento

- Mantenha todas as porcas e parafusos apertados para se certificar de que o equipamento se encontra em bom estado.

4. DADOS TÉCNICOS

| | |
|---------------------------------------|------------------------------|
| Modelo | PLM5600N2 |
| Tipo de motor | Série B&S 675EXI, ReadyStart |
| Automotriz | Sim |
| Deslocamento do motor | 163 cm ³ |
| Potência nominal | 2,6 kW |
| Largura da lâmina | 560 mm |
| Velocidade nominal | 2.800/min |
| Capacidade do depósito de combustível | 1,0 L |
| Capacidade do depósito de óleo | 0,47 L |
| Capacidade do colector de relva | 70 L |
| Peso líquido | 37,2 kg |
| Regulação da altura | 25-70 mm, 8 regulações |

| | |
|--|---|
| Modelo | PLM5600N2 |
| Nível de pressão sonora garantida na posição do operador (De acordo com a EN ISO 5395-1 Anexo F e as EN ISO 5395-2, EN ISO 4871) | 88,5 dB (A) (K=3 dB (A)) |
| Nível de potência sonora medida Nível de potência sonora garantida (De acordo com a 2000/14/CE) | 96,3 dB (A) K=1,86 dB (A) 98 dB (A) |
| Vibração (De acordo com a EN ISO 5395-1 Anexo G e a EN ISO 5395-2) | 7,90 m/s ² K=1,5 m/s ² |

5. MONTAGEM

5-1 MONTAR A PEGA REBATÍVEL

1. Fixe a barra inferior no suporte da pega com um parafuso, anilha e manípulo de bloqueio. (Fig. 2, Fig. 3)
2. Ligue a pega superior e a pega inferior com o manípulo de bloqueio. (Fig. 4, Fig. 5)
3. Posicione o cabo em torno do orifício do meio do veio da pega inferior. Fixe-o com o grampo do cabo e certifique-se de que o cabo está fixo em torno do exterior da pega. (Fig. 6) Caso contrário, o cabo pode ser trilhado pela abertura/fecho da tampa traseira.

5-2 REGULAÇÃO PARA UMA ALTURA ADEQUADA DA PEGA

- 1) Desaparafuse o manípulo de bloqueio que fixou a pega inferior.
- 2) Mova a pega inferior para cima e para baixo, ajuste-a à altura adequada. Existem 3 alturas a escolher neste tipo de cortador de grama; na posição de altura 1, a pega inferior até ao solo é a mais elevada.; na posição de altura 3, a pega inferior até ao solo é a mais baixa. (Fig. 7)
- 3) Após ajustar a pega inferior à altura adequada, fixe-a através do manípulo de bloqueio. (Fig. 8)

5-3 MONTAR E DESMONTAR O COLECTOR DE RELVA

1. Para instalar: Levante a tampa traseira e engate o colector de relva na parte traseira do cortador. (Fig. 9, Fig. 10)
2. Para retirar: Agarre e levante a tampa traseira, retire o colector de relva.

5-4 PEGA DO MOTOR DE ARRANQUE

Desloque a pega do motor de arranque do motor para o guia do cabo. (Fig. 11)

5-5 ALTURA DO CORTE

Aplique pressão para fora para desengatar a alavanca da armação. Desloque a alavanca para a frente ou para trás para ajustar a altura. (Fig. 12 e consulte a cláusula 7-9)

6. FUNÇÃO

Estes cortadores de grama podem ser modificados, com base na finalidade da aplicação:

Desde cortador de grama com recolha traseira a:

1. Cortador de "mulching" ou como
2. Cortador de descarga lateral.

O que é o "mulching"?

Quando fizer o "mulching", a relva é cortada numa só passagem, de seguida, é cortada finamente e devolvida à faixa de relva como um fertilizante natural.

Conselhos para o corte "mulching":

- Redução normal de 2 cm, no máximo, altura da relva de 6 cm para 4 cm.
- Utilize uma faca de corte afiada.
- Não corte relva molhada.
- Defina a velocidade máx. do motor
- Desloque-se apenas ao ritmo de trabalho.
- Limpe regularmente a barra de "mulching", lado interior da estrutura e lâmina de corte.

Iniciar operação

6-1 Modificar para cortador de "mulching"



AVISO: Apenas com um motor desligado e cortador parado.

1. Levante a tampa traseira e retire o colector de relva.
2. Introduza a barra de "mulching" na carenagem. Bloqueie a barra de "mulching" com o botão na abertura na carenagem. (Fig. 13, Fig. 14)
3. Baixe novamente a tampa traseira. (Fig. 15)
4. Levante a alheta lateral e retire o canal de descarga lateral.

6-2 Reiniciar para corte de relva de descarga lateral



AVISO: Apenas quando o motor e a lâmina se encontram imobilizados!

1. Levante a tampa traseira e retire o colector de relva.

2. Introduza a barra de “mulching” na carenagem. Bloquee a barra de “mulching” com o botão na abertura na carenagem.
3. Levante a alheta lateral para descarga lateral. (Fig. 16)
4. Monte o canal de descarga lateral no pino de suporte da alheta lateral. (Fig. 17)
5. Baixe a alheta lateral - a alheta assenta no canal de descarga lateral. (Fig. 18)

6-3 Cortar com o colector de relva



AVISO: Apenas quando o motor e a lâmina se encontram imobilizados.

Para cortar com o colector de relva, retire a barra de “mulching” e o canal de descarga lateral para descarga lateral e monte o colector de relva.

1. Retirar a barra de “mulching”.
 - Levante a tampa traseira e retire a barra de “mulching”.
2. Remover o canal de descarga para descarga lateral.
 - Levante a aba lateral e remova o canal de descarga lateral.
 - A aba lateral fecha automaticamente a abertura de descarga no compartimento através da força da mola.
 - Limpe regularmente restos de relva e sujidade entranhada da aba lateral e da abertura de descarga.
3. Montar o colector de relva.
 - Levante a tampa traseira e engate o colector de relva na parte traseira do cortador.

7. INSTRUÇÕES DE FUNCIONAMENTO

7-1 ANTES DA UTILIZAÇÃO

Faça a manutenção do motor com gasolina e óleo conforme indicado no manual do motor separado e embalado com o cortador de grama. Leia atentamente as instruções. (Fig. 19, Fig. 20, Fig. 21)



AVISO: A gasolina é altamente inflamável.

Guarde o combustível em recipientes especificamente concebidos para esta finalidade.

Apenas abasteça no exterior, antes de ligar o motor e não fume durante o abastecimento ou manuseamento de combustível.

Nunca retire o tampão do depósito de combustível ou abasteça de combustível enquanto o motor está em funcionamento ou quando o motor está quente.

Se a gasolina for derramada, não tente ligar o motor, afaste a máquina da área de derrame e evite criar qualquer fonte de ignição até os vapores de gasolina se dissiparem.

Substitua com segurança todos os tampões de depósitos de combustível e de recipientes.

Antes de virar o cortador de grama para fazer a manutenção da lâmina ou drenar óleo, retire combustível do depósito.



AVISO: Nunca abasteça o depósito de combustível no interior, com o motor em funcionamento ou antes do motor ter arrefecido durante, no mínimo, 15 minutos após a utilização.

7-2 PARA LIGAR O MOTOR E ENGATE A LÂMINA

1. A unidade está equipada com uma tampa de borracha sobre a extremidade da vela de ignição, certifique-se de que o aro metálico na extremidade do fio da vela de ignição (no interior da tampa de borracha) está bem apertado na ponta de metal na vela de ignição.
2. Quando efetuar o arranque a frio ou a quente do motor, rode a alavanca do afogador de estrangulamento num ponto entre a posição “☞” e a posição “☛”. Quando operar o motor rode a alavanca do afogador de estrangulamento para a posição “☛”. (Fig. 22)
3. Coloque-se atrás da unidade, agarre a pega de controlo do travão e segure-a contra a pega superior como mostrado na Fig. 23.
4. Agarre a pega do motor de arranque como mostrado na Fig. 23 e puxe-a rapidamente para cima. Regresse-a lentamente ao parafuso do guia do cabo após o arranque do motor.

Solte a pega de controlo do travão para desligar o motor e a lâmina.



Ligue cuidadosamente o motor de acordo com as instruções e com os pés afastados da lâmina.



Não incline o cortador de grama quando liga o motor. Ligue o cortador de grama numa superfície nivelada, isenta de relva alta e obstáculos.



Afaste as mãos e os pés das peças em movimento. Não ligue o motor quando se encontrar em frente à abertura de descarga.

7-3 PROCEDIMENTOS DE FUNCIONAMENTO

Durante o funcionamento, segure bem a pega de controlo do travão com ambas as mãos.



Nota: Durante o funcionamento, quando a pega de controlo do travão é solta, o motor irá desligar-se fazendo com que o cortador de grama pare de funcionar.



Aviso: Para evitar arranques não intencionais do cortador de relva, este vem equipado com um travão do motor que tem de ser puxado para trás antes de ser possível pôr o motor a funcionar. Quando a alavanca de controlo do motor é libertada, ela tem de voltar à sua posição inicial, momento em que o motor se desliga automaticamente.



Nota: Travão do motor (pega do travão): Utilize a alavanca para parar o motor. Quando libertar a alavanca, o motor e a lâmina param automaticamente. Para cortar, mantenha a alavanca na posição de trabalho. Antes de começar a cortar, verifique várias vezes a alavanca de arranque/paragem para se certificar de que está a funcionar corretamente. Certifique-se de que o cabo de tensão pode ser operado suavemente (ou seja, não fica preso nem está dobrado de qualquer forma).

7-4 PARA DESLIGAR O MOTOR





PRECAUÇÃO: A lâmina continua a rodar durante alguns segundos após o motor ser desligado.

1. Solte a pega de controlo do travão para desligar o motor e a lâmina. (Fig. 24)
2. Desligue e ligue o fio da vela de ignição à terra conforme indicado no manual do motor separado para evitar arranques acidentais quando o equipamento não é supervisionado.

7-5 LIGAÇÃO PARA DESLOCAÇÃO AUTOMÁTICA

O cortador está equipado com um sistema de regulação da velocidade que pode regular 3 velocidades de 3,0 km/h a 4,5 km/h.

Posição “”: a posição mais lenta; Posição “”: a posição mais rápida. (Fig. 25)

Execute o seguinte:

1. Solte a pega de controlo de avanço automático até o cortador de grama não avançar.
2. Regule a velocidade adequada que pretende.
3. Agarre a pega de controlo de avanço automático para continuar a cortar a relva. (Fig. 26)



PRECAUÇÃO: O seu cortador de grama destina-se a cortar relva normal com uma altura inferior a 250 mm.

Não tente cortar relva vulgarmente alta ou molhada (por exemplo, pastagens) ou pilhas de folhas secas. Os detritos podem acumular-se na carenagem do cortador de grama ou entrar em contacto com o sistema de escape do motor, resultando num potencial risco de incêndio.

7-6 PARA OBTER OS MELHORES RESULTADOS AO EFECTUAR O CORTE DA RELVA

Elimine os detritos da relva. Certifique-se de que a relva está isenta de pedras, paus, cabos ou outros objectos estranhos que podem ser acidentalmente projectados pelo cortador de grama, em qualquer direcção, e causar ferimentos pessoais graves no utilizador e outras pessoas, assim como danos na propriedade e nos objectos envolventes. Não corte relva molhada. Para um corte de relva eficaz, não corte relva molhada porque esta tende a aderir ao lado inferior da carenagem, evitando um corte de relva adequado das aparas da relva. Não corte mais do que 1/3 do comprimento da relva. O corte recomendado para o corte de relva é 1/3 do comprimento

da relva. A velocidade terá de ser ajustada para que as aparas possam ser dispersas uniformemente na relva. Para um corte particularmente duro na relva espessa, pode ser necessário usar uma das velocidades mais lentas de modo a obter um corte de relva bem efectuado. Quando efectuar o corte de relva na relva longa, pode ter que cortar a relva em duas passagens, baixando a lâmina mais 1/3 do comprimento para o segundo corte e talvez cortando num padrão diferente do padrão utilizado pela primeira vez. Sobrepor um pouco o corte em cada passagem fará com que tenha de limpar quaisquer aparas na relva. O cortador de grama deve ser sempre utilizado à velocidade máxima para obter o melhor corte e permitir a realização de um corte de relva mais eficaz. Limpe a parte inferior da carenagem. Certifique-se de que limpa a parte inferior da carenagem de corte após cada utilização para evitar uma acumulação de relva, o que resultaria num mau “mulching”. Cortar folhas. O corte de folhas também pode ser benéfico para a sua relva. Quando efectuar o corte de folhas, certifique-se de que estas estão secas e não são demasiado espessas. Não aguarde que todas as folhas caiam das árvores antes de efectuar o corte.



AVISO: Se colidir contra um objecto estranho, desligue o motor. Retire o fio da vela de ignição, inspecione minuciosamente o cortador de grama por quaisquer danos e repare os danos antes de reiniciar e utilizar o cortador de grama. A vibração excessiva do cortador de grama durante o funcionamento é uma indicação de danos. A unidade deve ser inspeccionada e reparada imediatamente.

7-7 COLECTOR DE RELVA

Há uma janela transparente na tampa traseira que pode ver a condição da relva no colector de relva.

Se o colector de relva estiver cheio, terá de esvaziar e limpar o colector de relva, certifique-se de que está limpo e de que a rede é ventilada. (Fig. 27)

7-8 CARENAGEM

A parte inferior da carenagem do cortador de grama deve ser limpa após cada utilização para evitar uma acumulação de aparas de relva, folhas, sujidade ou outras substâncias. Se permitir a acumulação destes detritos, irá provocar ferrugem e corrosão e pode impedir a realização de um “mulching” adequado. A carenagem pode ser limpa inclinando o cortador de grama e raspando com uma ferramenta adequada (certifique-se de que o fio da vela de ignição está desligado).

7-9 INSTRUÇÕES PARA REGULAÇÃO DA ALTURA



PRECAUÇÃO: Não efectue, de modo algum, quaisquer regulações no cortador de grama sem primeiro desligar o motor e o fio da vela de ignição.



PRECAUÇÃO: Antes de alterar a altura de corte, desligue o cortador de grama e o cabo da vela de ignição.

O cortador está equipado com uma alavanca central de regulação da altura que oferece 8 posições de altura.

1. Desligue o cortador de grama e o cabo da vela de ignição antes de alterar a altura de corte do cortador de grama.
2. A alavanca central de regulação da altura oferece-lhe 8 posições de altura diferentes.

Para alterar a altura de corte, aperte a alavanca reguladora na direcção da roda, deslocando para cima ou para baixo para a altura pretendida.

Todas as rodas estarão à mesma altura de corte.

(Fig. 28)

8. INSTRUÇÕES DE MANUTENÇÃO

VELA DE IGNIÇÃO

Utilize apenas velas de ignição de reposição originais.

Para obter os melhores resultados, substitua a vela de ignição a cada 100 horas de utilização.

PASTILHAS DO TRAVÃO

Verifique e/ou substitua regulamente as pastilhas do travão do motor num agente de assistência técnica; só podem ser utilizadas peças genuínas para substituição.

9. INSTRUÇÕES DE LUBRIFICAÇÃO



PRECAUÇÃO: DESLIGUE A VELA DE IGNIÇÃO ANTES DA MANUTENÇÃO.

1. RODAS - Lubrifique os rolamentos de esferas em cada roda, no mínimo, uma vez por época com um óleo leve.
2. MOTOR - Siga o manual do motor para as instruções de lubrificação.

10. LIMPEZA



PRECAUÇÃO: Não lave o motor com uma mangueira. A água pode danificar o motor ou contaminar o sistema de combustível.

1. Limpe a carenagem com um pano seco.
2. Lave com uma mangueira a parte inferior da carenagem inclinando o cortador de grama de modo a que a vela de ignição esteja para cima.

10-1 FILTRO DE AR DO MOTOR



PRECAUÇÃO: Não permita que a sujidade ou o pó obstruam o elemento de espuma do filtro de ar. O filtro de ar do motor tem de ser mantido (limpo) após 25 horas de corte normal. O elemento de espuma tem de ser limpo regularmente se o cortador de grama for utilizado em condições poeirentas e secas.

PARA LIMPAR FILTRO DE AR

1. Levante a patilha na tampa do filtro. (Fig. 29)

2. Retire a tampa do filtro.
3. Lave o filtro em água com sabão. **NÃO UTILIZE GASOLINA!**
4. Ventile o filtro até secar.
5. Coloque algumas gotas de óleo SAE30 no filtro de espuma e aperte bem para remover qualquer excesso de óleo.
6. Instale novamente o filtro.
7. Feche a tampa do filtro.

NOTA: Substitua o filtro se estiver desgastado, rasgado, danificado ou impossível de limpar.

10-2 LÂMINA DE CORTE



PRECAUÇÃO: Certifique-se de que desliga e liga o fio da vela de ignição à terra antes de trabalhar na lâmina de corte para evitar arranques acidentais do motor. Proteja as mãos utilizando luvas robustas ou um pano para agarrar as lâminas de corte. Vire o cortador de grama conforme especificado no manual do motor separado. Retire o parafuso e anilha sextavados que fixam a lâmina e o adaptador da lâmina à cambota do motor. Retire a lâmina e adaptador da cambota.



AVISO: Inspeccione periodicamente o adaptador da lâmina por fissuras, especialmente se chocar contra um objecto estranho. Substitua quando necessário. Para obter os melhores resultados, as lâminas devem estar afiadas. A lâmina pode ser afiada removendo-a e chanfrando ou limando a extremidade de corte mantendo o mais idêntico possível com o ângulo original. É extremamente importante que cada extremidade de corte receba uma quantidade igual de chanfragem para evitar uma lâmina irregular. Um lâmina irregular irá resultar na vibração excessiva causando eventuais danos no motor e no cortador de grama. Certifique-se de que equilibra bem a lâmina após afiar. Pode testar o equilíbrio da lâmina equilibrando-a numa chave de fendas de eixo redondo. Retire metal do lado pesado até ficar equilibrada.

(Fig. 30)

Antes de montar a lâmina e o adaptador da lâmina na unidade, lubrifique a cambota do motor e a superfície interior do adaptador da lâmina com óleo leve. Instale o adaptador de lâmina na cambota. Consulte a Fig. 30. Coloque a lâmina com o número da peça na direcção oposta do adaptador. Alinhe a anilha sobre a lâmina e introduza o parafuso sextavado. Aperte o parafuso sextavado ao binário listado abaixo.

10-3 BINÁRIO DE MONTAGEM DA LÂMINA

Centre o parafuso 40 Nm - 50 Nm, para garantir um funcionamento seguro da unidade. TODAS as porcas e parafusos têm de ser verificados periodicamente por um aperto correcto.

Após a utilização prolongada, especialmente em condições de solo arenoso, a lâmina irá ficar desgastada e perder a forma original. A eficiência de corte irá diminuir e a lâmina deve ser substituída. Substitua apenas por uma lâmina de reposição aprovada pela fábrica. Os possíveis danos resultantes do estado de desequilíbrio da lâmina não são da responsabilidade do fabricante.

Quando substitui a lâmina, tem de utilizar o tipo original marcado na lâmina (MAKITA 263001171) (para encomendar a lâmina, contacte o fornecedor local ou a nossa empresa, consulte a página de rosto).

10-4 MOTOR

Consulte o manual do motor separado para as instruções de manutenção do motor.

Faça a manutenção do óleo conforme indicado no manual do motor separado e embalado com a unidade.

Leia atentamente e cumpra as instruções.

Faça a manutenção do filtro de ar conforme o manual do motor separado, sob condições normais.

Limpe em intervalos de poucas horas sob condições extremamente poeirentas. Um desempenho fraco do motor e inundação indica, normalmente, que deve efectuar a manutenção do filtro de ar.

Para fazer a manutenção do filtro de ar, consulte o manual do motor separado e embalado com a unidade.

A vela de ignição deve ser limpa e a folga calibrada uma vez por época. A substituição da vela de ignição é recomendada no início de cada época de corte; verifique o manual do motor para o tipo de vela e especificações de folga correctos.

Limpe o motor regularmente com um pano ou escova.

Mantenha o sistema de arrefecimento (área da estrutura do ventilador) limpo para permitir uma circulação adequada do ar, que é essencial para o desempenho e vida útil do motor. Certifique-se de que retira toda a relva, sujidade e detritos de combustível da área do silenciador.



PRECAUÇÃO: O motor tem de arrefecer por completo antes de guardar o cortador de grama.



NOTA:

- Quando guardar qualquer tipo de equipamento eléctrico numa cabana não ventilada ou de armazenamento de material.
- Deve ter cuidado ao isolar o equipamento contra a ferrugem. Utilizando um óleo leve ou silicone, revista o equipamento, especialmente cabos e todas as peças móveis.
- Tenha cuidado para não dobrar ou torcer cabos.
- Se o cabo do motor de arranque se desligar do guia do cabo na pega, desligue e ligue o fio da vela de ignição à terra. Pressione a pega de controlo da lâmina e retire o cabo do motor de arranque do motor lentamente. Introduza o cabo do motor de arranque no parafuso do guia do cabo na pega.

Transporte

Desligue o motor e deixe-o arrefecer um bocado. Depois, desligue o fio da vela de ignição e esvazie o depósito de combustível de acordo com as instruções no manual do motor. Certifique-se que não dobra ou danifica a serra quando empurrar o corta relva sobre obstáculos.

11. INSTRUÇÕES DE ARMAZENAMENTO (FORA DE ÉPOCA)

Os passos seguintes devem ser seguidos para preparar o cortador de grama para armazenamento.

1. Esvazie o depósito após o último corte da estação.
 - a) Esvazie o depósito de gasolina com uma bomba de aspiração.



PRECAUÇÃO: Não drene a gasolina em espaços fechados, perto de chamas abertas, etc. Não fume! Os vapores da gasolina podem causar explosões ou incêndios.

- b) Ligue o motor e deixe-o em funcionamento até gastar a gasolina restantes e parar.
 - c) Retire a vela de ignição. Utilize uma galleta de óleo para encher aprox. 20 ml de óleo na câmara de combustão. Utilize o motor de arranque para distribuir uniformemente o óleo na câmara de combustão. Substitua a vela de ignição.
2. Limpe e lubrifique o cortador de grama com cuidado, como descrito em "INSTRUÇÕES DE LUBRIFICAÇÃO".
 3. Lubrifique ligeiramente o cortador para evitar corrosão.
 4. Guarde o cortador de grama num local seco, limpo e protegido do gelo, fora do alcance de pessoas não autorizadas.

12. RESOLUÇÃO DE PROBLEMAS

| PROBLEMA | CAUSA PROVÁVEL | ACÇÃO DE CORRECÇÃO |
|---|--|---|
| O motor não arranca. | Manípulo do afogador do acelerador na posição incorrecta para as condições predominantes. | Desloque o manípulo do afogador do acelerador para a posição correcta. |
| | O depósito de combustível está vazio. | Abasteça o depósito com combustível: consulte MANUAL DO PROPRIETÁRIO DO MOTOR. |
| | O filtro de ar está sujo. | Limpe o filtro de ar: consulte MANUAL DO PROPRIETÁRIO DO MOTOR. |
| | Vela de ignição solta. | Aperte a vela de ignição a 25-30 Nm. |
| | Fio da vela de ignição solto ou desligado da vela. | Instale o fio da vela de ignição na vela de ignição. |
| | A folga da vela de ignição está incorrecta. | Defina a folga entre os eléctrodos de 0,7 a 0,8 mm. |
| | Vela de ignição defeituosa. | Instale uma vela nova com uma folga correcta. consulte MANUAL DO PROPRIETÁRIO DO MOTOR. |
| | O carburador está encharcado de combustível. | Retire o filtro de ar e puxe o cabo do motor de arranque continuamente até o carburador se limpar autonomamente e instale o filtro de ar. |
| | Módulo de ignição avariado. | Contacte o agente de assistência. |
| Dificuldade do motor em arrancar ou perde potência. | Sujidade, água ou depósito de combustível deteriorado. | Purgue o combustível e limpe o depósito. Abasteça o depósito com combustível novo e limpo. |
| | O orifício de ventilação no tampão do depósito de combustível está obstruído. | Limpe ou substitua o tampão do depósito de combustível. |
| | O filtro de ar está sujo. | Limpe o filtro de ar. |
| O motor funciona irregularmente. | Vela de ignição defeituosa. | Instale uma vela nova com uma folga correcta. consulte MANUAL DO PROPRIETÁRIO DO MOTOR. |
| | A folga da vela de ignição está incorrecta. | Defina a folga entre os eléctrodos de 0,7 a 0,8 mm. |
| | O filtro de ar está sujo. | Limpe o filtro de ar: consulte MANUAL DO PROPRIETÁRIO DO MOTOR. |
| Fraco ralenti do motor. | O filtro de ar está sujo. | Limpe o filtro de ar: consulte MANUAL DO PROPRIETÁRIO DO MOTOR. |
| | As ranhuras de ar na blindagem do motor estão obstruídas. | Retire os detritos das ranhuras. |
| | As alhetas de arrefecimento e as passagens de ar na estrutura do ventilador do motor estão obstruídas. | Retire os detritos das alhetas de arrefecimento e das passagens de ar. |
| O motor salta a alta velocidade. | A folga entre os eléctrodos da vela de ignição é demasiado próxima. | Defina a folga entre os eléctrodos de 0,7 a 0,8 mm. |
| O motor sobreaquece. | O caudal de ar de arrefecimento é limitado. | Retire quaisquer detritos das ranhuras na blindagem, estrutura do ventilador e passagens de ar. |
| | Vela de ignição incorrecta. | Instale a vela de ignição original e as alhetas de arrefecimento no motor. |
| O cortador de grama vibra anormalmente. | O conjunto de corte está solto. | Aperte a lâmina. |
| | O conjunto de corte está desequilibrado. | Equilibre a lâmina. |

13. AMBIENTE

Caso a máquina necessite de ser substituída após utilização prolongada, não a coloque no lixo doméstico e elimine-a de forma segura para o ambiente.

14. DECLARAÇÃO DE CONFORMIDADE CE

Apenas para países europeus

A declaração de conformidade da CE está incluída no Anexo A deste manual de instruções.

Forklaring til generel oversigt

- | | | |
|------------------------|-----------------------------|-------------------------|
| 1. Bremskontrolhåndtag | 10. Sideudkastningskanal | 19. Mulching-kile |
| 2. Øverste håndtag | 11. Sidelænsflap | 20. Knap |
| 3. Kørehåndtag | 12. Klippeskjold | 21. Oliedæksel/oliepind |
| 4. Chokerhåndtag | 13. Tændrør | 22. Maks.: øvre grænse |
| 5. Starthåndtag | 14. Brændstofdæksel | 23. Min.: nedre grænse |
| 6. Gennemføring | 15. Oliedæksel | 24. Tap |
| 7. Låsegreb | 16. Kabelklemme | 25. Filterdæksel |
| 8. Græsopsamlers | 17. Nederste håndtag | |
| 9. Højdejusteringsarm | 18. Hastighedsjusteringsarm | |

**ADVARSEL:**

For din egen sikkerheds skyld, bør du læse denne brugsanvisning, inden du begynder at anvende din nye maskine. Hvis du ikke følger instruktionerne, kan det medføre alvorlig personskade. Brug nogle få øjeblikke på at lære plæneklipperen at kende inden hver brug. Opbevar denne brugsanvisning på et sikkert sted, således at dens information til enhver tid er tilgængelig. Hvis du overdrager udstyret til en anden person, skal du lade denne brugsanvisning og sikkerhedsforskrifterne følge med.

Beregnet anvendelse

Udstyret må kun anvendes til de opgaver, som det er beregnet til at håndtere. Al anden brug regnes for at være misbrug. Brugeren/operatøren, og ikke fabrikanten, vil være ansvarlig for enhver skade eller tilskadekomst, der er forårsaget af et resultat af dette.

Benzinplæneklipperen er beregnet til privat brug, dvs. til brug i hjemme- og havemiljøer.

Privat brug af plæneklipperen refererer til en årlig brugstid, der generelt ikke overskrider 50 timer, i hvilken periode maskinen primært bruges til at vedligeholde mindre plæner ved boligen og i hjemme-/hobbyhaver.

Anvendelse i offentlige faciliteter, sportshaller og ved landbrug/ skovbrug er udelukket.

Bemærk venligst, at dette udstyr ikke er lavet til brug til kommercielle, handels- eller industrielle formål. Vores garanti vil bortfalde, hvis maskinen anvendes til kommercielle, handels- eller industrielle formål eller til lignende formål.

Brugsvejledningen, som leveret af fabrikanten, skal opbevares og konsulteres for at sikre, at plæneklipperen bruges og vedligeholdes på korrekt vis. Instruktionerne indeholder vigtig information om anvendelse, vedligeholdelse og servicering.

Vigtigt! På grund af den store risiko for, at brugeren kan komme til skade, må plæneklipperen ikke bruges til at trimme buske, hække og krat, eller til at skære skrånende vegetation, beplantede tag eller græs på balkoner, eller til at rengøre (opsuge) snavs og affald fra gangstier, eller til at skære træ- eller hækklip. Desuden må plæneklipperen ikke bruges som el-kultivator til at udjævne høje områder som f.eks. muldvarpeskud. Af sikkerhedsgrunde må plæneklipperen ikke bruges som drivenhed for andre arbejdsmaskiner eller værktøjsæt af nogen slags.

1. SYMBOLER PÅ PRODUKTET (på bagsiden)

Læs brugsanvisningen.



Hold andre tilstedeværende på afstand.



Vær meget opmærksom på hænder og fødder for at undgå personskader.



Brændstof er letantændeligt, så hold afstand til åben ild. Påfyld ikke brændstof på en kørende maskine.



Giftige dampe. Må ikke anvendes indendørs.



Under græsklipning skal operatøren anvende beskyttelsesbriller og ørepropper for at beskytte sig selv.



Ved reparation skal tændrøret fjernes først, og derefter skal reparationen udføres i henhold til brugsanvisningen.



Forsigtig: Motoren er varm.

2. GENERELLE SIKKERHEDSREGLER



ADVARSEL: Ved anvendelse af benzindrevne maskiner skal de grundlæggende forholdsregler, inklusive de følgende, altid overholdes for at reducere risikoen for personskade og/eller beskadigelse af enheden. Læs alle disse instruktioner inden anvendelse af dette produkt og gem instruktionerne, så du altid har dem.



ADVARSEL: Denne maskine frembringer et elektromagnetisk felt under anvendelsen. Dette felt kan under visse omstændigheder interferere med aktive eller passive medicinske implantater. For at reducere risikoen for alvorlige eller fatale skader anbefaler vi, at personer med medicinske implantater konsulterer deres læge og producenten af de medicinske implantater inden anvendelse af denne maskine.

Træning

- Læs omhyggeligt instruktionerne igennem. Gør dig bekendt med betjeningen og den korrekte anvendelse af udstyret.
- Lær hvordan du stopper motoren hurtigt.
- Brug kun plæneklipperen til det formål den er designet til, dvs. til klipning og indsamling af græs. Andre former for brug kan være farlig og forårsage skader på maskinen. Eksempler på forkert brug kan omfatte, men er ikke begrænset til:
 - transport af personer, børn eller dyr på maskinen;
 - blive transporteret af maskinen;
 - brug af maskinen til at trække eller skubbe læs;
 - brug af maskinen til blad- eller affaldsopsamling;
 - brug af maskinen til hækkeklipping eller til klipning af anden vegetation end græs;
 - brug af maskinen af mere end en person;
 - brug af kniven på andre overflader end græs.
- Lad aldrig børn eller personer, som ikke har kendskab til disse instruktioner, anvende plæneklipperen. Lokale bestemmelser kan sætte begrænsninger for brugerens alder.
- Brug aldrig plæneklipperen:
 - når der er personer, især børn, eller kæledyr i nærheden;
 - hvis operatøren har indtaget medicin eller stoffer, som kan påvirke hans evne til at reagere og koncentrere sig.
- Vær opmærksom på, at operatøren eller brugeren er ansvarlig for ulykker eller farlige situationer, der måtte opstå mod andre personer eller deres ejendele.
- Operatørerne skal modtage passende træning i brugen, justeringen og betjeningen af maskinen, inklusive forbudte betjening.

Forberedelse

- Bær altid robust fodtøj og lange bukser under plæneklipping. Anvend ikke maskinen med bare fødder eller åbne sandaler.
- Inspicér omhyggeligt det område, hvor udstyret skal anvendes, og fjern alle genstande, såsom sten, legetøj,

pinde og ledninger, som kan blive slynget ud af maskinen.

- ADVARSEL- Benzin er meget brandfarligt.
 - opbevar brændstof i beholdere, som er særligt beregnet til dette formål;
 - påfyld kun brændstof udendørs og ryg ikke under påfyldningen;
 - påfyld brændstof inden start af motoren. Tag aldrig dækslet af brændstoftanken eller påfyld benzin, mens motoren kører, eller når motoren er varm;
 - hvis der spildes benzin, skal du ikke forsøge at starte motoren, men flytte maskinen væk fra det sted, hvor der blev spildt, og undgå alt der kan være kilde til antændelse, indtil benzindampene er fordampet;
 - husk at skrue dæksler ordentligt på alle brændstoftanke og beholdere.
- Udskift defekte støjdemper.
- Inden brug skal du altid se efter slid eller skader på knivene, knivboltene og knivmonteringen. Udskift slidte eller beskadigede knive og bolte sætvis for at opretholde balancen.
- Kontroller regelmæssigt, at alle start-blokeringsmekanismer og operatørtlistedeværelseskontroller fungerer ordentligt.

Betjening

- Anvend ikke motoren på et indelukket sted, hvor der kan ophobes farlige kullitedampe.
- Brug ikke maskinen, hvis du er træt, syg eller under indflydelse af alkohol eller lægemidler.
- Advarsel! Brug ikke plæneklipperen, hvis der er risiko for lynnedslag.
- Det anbefales at begrænse varigheden af brugen, for at minimere risikoen for støj og vibration.
- Vær forsigtig, når plæneklipperen anvendes på bakker og i nærheden af stejle skråninger, grøfter eller dosseringer.
- Klip kun græs i dagslys eller under god kunstig belysning.
- Undgå at anvende maskinen i vådt græs, hvor det er muligt.
- Sørg altid for et godt fodfæste på skråninger.
- Gå, løb aldrig.
- Med kørende roterende maskiner skal klipningen foregå på tværs af skråninger og aldrig op og ned.
- Vær meget forsigtig ved retningsændringer på skråninger.
- Klip ikke græs på meget stejle skråninger.
- Vær meget forsigtig, når du bakker eller trækker plæneklipperen ind mod dig selv.
- Stop kniven(e) hvis plæneklipperen skal vippes af hensyn til transport over andre overflader end græs, eller når plæneklipperen transporteres til og fra det område, hvor der skal klippes græs.
- Benyt aldrig plæneklipperen, hvis beskyttelsesskærmene er beskadiget eller uden påmonteret sikkerhedsudstyr som f.eks. defektorer og/eller græsopsamlere.
- Forsigtig: Plæneklipperen må ikke anvendes uden at enten hele græsopsamleren eller den selvlukkende beskyttelsesskærm til udkastningsåbningen er på plads.

- Du skal ikke ændre ikke motorens regulatorindstillinger eller køre motoren hurtigere end anbefalet.
- Lad være med at ændre eller pille ved nogen indkapslet justering til motorhastighedskontrollen.
- Der må ikke pilles ved plæneklipperens sikkerhedssystemer eller funktioner og de må ikke sættes ud af funktion.
- Afbryd alle knive og drivkoblinger inden start af motoren.
- Start motoren forsigtigt i henhold til instruktionerne og med fødderne på god afstand af kniven(e).
- Du skal ikke vippe plæneklipperen, når motoren startes.
- Start ikke motoren, mens du står foran græsudkastet.
- Stik ikke hænder eller fødder ind i nærheden af eller under roterende dele. Hold dig altid væk fra udkastningsåbningen.
- Løft eller bær aldrig en plæneklipper, mens motoren kører.
- Stands motoren og afbryd tændrørskablet, sørg for at alle bevægelige dele er fuldstændigt stoppet og fjern nøglen i tilfælde af, at der anvendes en nøgle:
 - inden fjernelse af forhindringer eller rensning af græsudkastet;
 - inden kontrol, rengøring eller arbejde på plæneklipperen;
 - efter du har ramt et fremmedlegeme. Kontroller plæneklipperen for skader og udfør reparationer inden start eller betjening af plæneklipperen;
 - hvis plæneklipperen vibrerer unormalt (kontroller straks).
- Stands motoren og afbryd tændrørskablet, sørg for at alle bevægelige dele er fuldstændigt stoppet og fjern nøglen i tilfælde af, at der anvendes en nøgle:
 - når du forlader plæneklipperen;
 - inden påfyldning af brændstof.
- Reducer gasindstillingen under nedlukning af motoren og sluk for brændstoffet efter endt plæneklipping, hvis motoren er udstyret med en lukkeventil.
- Brug kun plæneklipperen til det formål den er designet til, dvs. til klipping og indsamling af græs. Andre former for brug kan være farlig og forårsage skader på maskinen.

Vedligeholdelse og opbevaring

- Sørg for, at alle møtrikker, bolte og skruer er strammet, så maskinen altid er klar til brug.
- Opbevar aldrig maskiner med benzin i tanken inde i en bygning, hvor dampe kan komme i kontakt med åben ild eller gnister.
- Lad motoren køle af, inden plæneklipperen stilles til opbevaring på et indelukket sted. Rengør og vedligehold plæneklipperen inden den stilles til opbevaring.
- For at reducere brandrisikoen skal motoren, støjdæmperen, batterirummet og benzinopbevaringsområdet holdes fri for græs, blade og overdrevent meget smøremiddel.
- Kontroller jævnligt græsopsamleren for slid eller beskadigelse.
- Udskift slidte eller beskadigede dele af sikkerhedshensyn.
- Hvis brændstofftanken skal tømmes, skal dette udføres udendørs.

- Forkert vedligeholdelse, brug af ikke-tilpassede udskiftningsdele, eller fjernelse eller modifikation af sikkerhedsdele kan beskadige plæneklipperen og bevirke, at operatørene kommer alvorligt til skade.
- Brug kun de blade og reservedele, som er anbefalet af fabrikanten. Brug af ikke-originale dele kan beskadige maskinen og bevirke, at operatørene kommer alvorligt til skade. Hold altid plæneklipperen i god arbejdsstand.
- Hvis bladstopperanordningen ikke fungerer, bedes du kontakte et servicecenter for at få hjælp.

Transport og håndtering

- Når maskinen skal håndteres, løftes, transporteres eller vippes, skal du:
 - anvende kraftige arbejdshandsker;
 - gribe fast i maskinen på de punkter, hvor det er muligt at få ordentligt fat, og være opmærksom på vægten og dens fordeling;
 - anvende et passende antal personer i henhold til vægten af maskinen og køretøjets egenskaber, eller det sted hvor den skal placeres eller afhentes.
- Under transport skal maskinen fastgøres ordentligt med reb eller kæder.



ADVARSEL: Rør ikke ved roterende knive.



ADVARSEL: Påfyld brændstof på et sted med god ventilation og med motoren standset.

3. BESKRIVELSE AF DELE (Fig. 1)

Indeholdende

A: Tændrørsnøgle

4. TEKNISKE DATA

| Model | PLM5600N2 |
|-----------------------|-------------------------------|
| Motortype | B&S 675EXi-serien, ReadyStart |
| Selvdrevet | Ja |
| Motorvolumen | 163 cm ³ |
| Nominel ydelse | 2,6 kW |
| Knivbredde | 560 mm |
| Nominel hastighed | 2.800/min. |
| Brændstofftankvolumen | 1,0 l |
| Olietankkapacitet | 0,47 l |
| Græsopsamlerkapacitet | 70 l |
| Nettovægt | 37,2 kg |
| Højdejustering | 25-70 mm, 8 justeringer |

| Model | PLM5600N2 |
|--|-----------------------------|
| Garanteret lydtrykniveau på operatørens position (i henhold til EN ISO 5395-1 Annex F og EN ISO 5395-2, EN ISO 4871) | 88,5 dB (A) (K=3 dB (A)) |

| Model | PLM5600N2 |
|---|---|
| Målt lydeffektniveau | 96,3 dB (A) |
| Garanteret lydeffektniveau (I henhold til 2000/14/EF) | K=1,86 dB (A) 98 dB (A) |
| Vibration (i henhold til EN ISO 5395-1 Annex G e EN ISO 5395-2) | 7,90 m/s ² K=1,5 m/s ² |

5. MONTERING

5-1 MONTERING AF FOLDEHÅNDTAGET

1. Fastgør den nederste håndtagsstang på håndtagsbeslaget med bolt, skive og låsegreb. (Fig. 2, Fig. 3)
2. Tilslut det øverste håndtag til det nederste håndtag vha. låsegrebet. (Fig. 4, Fig. 5)
3. Placer kablet rundt om hullet på midten af det nederste håndtagsskaft. Klem det fast med kabelklemmen, og sørg for at kablet er fastgjort rundt om ydersiden af håndtaget. (Fig. 6) Ellers kan kablet blive klemt, når bagdækslet åbnes/lukkes.

5-2 JUSTERING AF EN PASSENDE HÅNDTAGSHØJDE

- 1) Skru det låsegreb ud, som fastgjorde det nederste håndtag.
- 2) Flyt det nederste håndtag op og ned, og juster det til den rigtige højde. Der kan vælges mellem 3 justeringshøjder på denne type plæneklipper. Højdeposition 1, nederste håndtag ved jorden, er den højeste position; højdeposition 3, nederste håndtag ved jorden, er den laveste position. (Fig. 7)
- 3) Efter justering af det nederste håndtag til den passende højde skal det fastgøres med låsegrebet. (Fig. 8)

5-3 MONTERING OG AFMONTERING AF GRÆSOPSAMPEREN

1. Påsætning: Løft bagdækslet op og hægt græsopsamleren bag på plæneklipperen. (Fig. 9, Fig. 10)
2. Aftagning: Tag fat og løft op i bagdækslet for tage græsopsamleren af.

5-4 STARTHÅNDTAG

Flyt starthåndtaget fra motoren til gennemføringen. (Fig. 11)

5-5 KLIPPEHØJDE

Tryk udad for at løsne armen fra tandstangen. Flyt armen fremad eller bagud for at justere højden. (Fig. 12 og se afsnit 7-9)

6. FUNKTION

Disse plæneklippere kan teknologisk opdateres fra deres normale funktion, baseret på anvendelsesformålet:

Fra plæneklipper med opsamling bagtil til:

1. Mulching-plæneklipper eller som
2. Plæneklipper med sideudkast.

Hvad er mulching?

Ved mulching (bioklip) klippes græsset i første arbejdsstrin, derefter findeles det og returneres til græsplænen som naturlig gødning.

Tips angående mulching (bioklip):

- Almindelig klipping af maks. 2 cm fra 6 cm til 4 cm høj t græs.
- Brug en skarp kniv.
- Klip ikke i vådt græs.
- Indstil maks. motorhastighed.
- Gå kun frem i gå-tempo.
- Rens jævnlgt mulching-kilen, indersiden af huset og kniven.

Start af betjening

6-1 Eftermontering for brug som mulching-plæneklipper



ADVARSEL: Kun, når motoren er stoppet, og kniven står stille.

1. Løft bagdækslet og fjern græsopsamleren.
2. Tryk mulching-kilen ind i klippeskjoldet. Lås mulching-kilen med knappen ind i åbningen i klippeskjoldet. (Fig. 13, Fig. 14)
3. Sænk bagdækslet igen. (Fig. 15)
4. Løft sidelænsflappen og fjern sideudkastningskanalen.

6-2 Omstilling til klipping med sideudkast



ADVARSEL: Kun, når motoren og kniven står stille!

1. Løft bagdækslet og fjern græsopsamleren.
2. Tryk mulching-kilen ind i klippeskjoldet. Lås mulching-kilen med knappen ind i åbningen i klippeskjoldet.
3. Løft sidelænsflappen for sideudkast. (Fig. 16)
4. Monter sideudkastningskanalen for sideudkast på støttepinden på sidelænsflappen. (Fig. 17)
5. Sænk sidelænsflappen - flappen ligger på sideudkastningskanalen. (Fig. 18)

6-3 Klipping med græsopsamleren



ADVARSEL: Kun, når motoren og kniven står stille.

For at klippe med græsopsamleren skal du fjerne mulching-kilen og sideudkastningskanalen for sideudkastet og montere græsopsamleren.

1. Fjernelse af mulching-kilen.
 - Løft bagdækslet og fjern mulching-kilen.
2. Fjernelse af udkastningskanalen for udkastning til siden.
 - Løft sideklappen, og fjern sideudkastningskanalen.
 - Sideflappen lukker automatisk udkastningsåbningen på kabinettet ved fjederkraft.
 - Rengør regelmæssigt sideklappen og udkastningsåbningen for græs og fastsiddende snavs.
3. Montering af græsopsamleren.
 - Løft bagdækslet op og hægt græsopsamleren bag på plæneklipperen.

7. BETJENINGSINSTRUKTIONER

7-1 INDEN DU STARTER

Fyld benzin og olie på motoren som anvist i den separate motorvejledning, der kom sammen med plæneklipperen. Læs omhyggeligt instruktionerne igennem. (Fig. 19, Fig. 20, Fig. 21)



ADVARSEL: Benzin er meget brandfarligt.

Opbevar brændstof i beholdere, som er særligt beregnet til dette formål.

Påfyld kun brændstof udendørs, inden du starter motoren, og undlad at ryge, mens du påfylder eller håndterer brændstof.

Tag aldrig dækslet af brændstoftanken eller påfyld benzin, mens motoren kører, eller når motoren er varm.

Hvis der spildes benzin, skal du ikke forsøge at starte motoren, men flytte maskinen væk fra det sted, hvor der blev spildt, og undgå alle antændelseskilder indtil benzindampene er fordampet.

Husk at skrue dæksler ordentligt på alle brændstoftanke og beholdere.

Inden du vipper plæneklipperen for at vedligeholde kniven eller tømme olien af, skal du tømme tanken for brændstof.



ADVARSEL: Fyld aldrig brændstof på brændstoftanken indendørs, med motoren kørende, eller før motoren har fået lov til at køle af i mindst 15 minutter efter brug.

7-2 START AF MOTOR OG AKTIVERING AF KNIV

1. Enheden er udstyret med en gummihætte over tændrøret. Sørg for at metalstroppen på tændrørskablet (inde i gummihætten) er ordentligt fastgjort på tændrørets metalspids.
2. Når du starter en kold eller varm motor, skal du dreje gasspjældshåndtaget til en vilkårlig position mellem "☁"-stillingen og "☁☁"-stillingen. Ved drift skal du dreje gasspjældshåndtaget til "☁☁☁"-stillingen. (Fig. 22)
3. Mens du står bag ved enheden, skal du gribe fat i bremsekontrolhåndtaget og holde det ind mod det øverste håndtag som vist i Fig. 23.
4. Grib fat i starthåndtaget som vist i Fig. 23 og træk hurtigt op. Før det langsomt tilbage til gennemføringsbolten efter motoren er startet.

Slip bremsekontrolhåndtaget for at standse motoren og kniven.



Start motoren forsigtigt i henhold til instruktionerne og med fødderne på god afstand af kniven.



Du skal ikke vippe plæneklipperen, når motoren startes. Start plæneklipperen på et jævnt underlag, fri for højt græs eller andre hindringer.



Hold hænder og fødder på afstand af de roterende dele. Start ikke motoren, mens du står foran græsudkastet.

7-3 BETJENINGSPROCEDURER

Under anvendelse skal du holde godt fast i bremsekontrolhåndtaget med begge hænder.



Bemærk: Hvis bremsekontrolhåndtaget slippes under anvendelsen, standser motoren, og derfor stopper plæneklipperen med at køre.



Advarsel: For at undgå utilsigtet start af plæneklipperen, leveres den med en motorbremse, som skal trækkes tilbage, inden motoren kan startes. Når motorkontrolarmen frigøres, skal den returnere til dens udgangsstilling, ved hvilket punkt motoren automatisk slukker.



Bemærk: Motorbremse (bremsehåndtag) : Brug armen til at stoppe motoren. Når armen frigøres, vil motoren og bladet automatisk stoppe. For at klippe, skal man holde armen i arbejdsstilling. Kontroller, inden du begynder at klippe, start/stop-armen flere gange for at sikre dig, at den fungerer ordentligt. Sørg for, at strammekablet kan betjenes problemfrit (dvs. at det ikke på nogen måde sætter sig fast eller laver kinker).

7-4 SÅDAN STANDSES MOTOREN



FORSIGTIG: Kniven fortsætter med at rotere nogle få sekunder, efter motoren er slukket.

1. Slip bremsekontrolhåndtaget for at standse motoren og kniven. (Fig. 24)
2. Afbryd og jord tændrørskablet som anvist i den separate motorvejledning for at forhindre utilsigtet start, mens maskinen ikke er under opsyn.

7-5 AKTIVERING AF SELVTRÆK

Plæneklipperen er udstyret med et hastighedsjusteringssystem, der kan justeres til 3 hastigheder fra 3,0 km/t til 4,5 km/t.

Position "☁": den langsomste position; Position "☁☁☁": den hurtigste position. (Fig. 25)

Foretag trinene nedenfor:

1. Slip kørehåndtaget indtil plæneklipperen ikke længere bevæger sig fremad.
2. Vælg den passende hastighed, du ønsker.
3. Grib fat om kørehåndtaget for at fortsætte klipning. (Fig. 26)



FORSIGTIG: Din plæneklipper er designet til at klippe almindeligt havegræs, der ikke er højere end 250 mm.

Forsøg ikke at klippe gennem ualmindelig højt tørt eller vådt græs (f.eks. en græsmark) eller bunker af tørre blade. De afklippede materialer kan ophobes på klippeskjoldet eller komme i kontakt med motorudstødningen og udgøre en potentiel brandrisiko.

7-6 SÅDAN OPNÅS DE BEDSTE GRÆSKLIPNINGSRISULTATER

Ryd græsplænen for affald. Sørg for at græsplænen er fri for sten, grene, ståltråd eller andre fremmedlegemer, der eventuelt ved et uheld kan blive slynget ud af plæneklipperen i en hvilken som helst retning og forvolde alvorlig personskade på operatøren og andre, såvel som skader på materiel og omkringliggende genstande. Klip ikke vådt græs. For at opnå en effektiv klipning af græsset skal du ikke klippe vådt græs, da det har tendens til at sætte sig fast i klippekjoldet og forhindre ordentligt klipning af det afklippede græs. Klip ikke mere end 1/3 af græssets længde. Den anbefalede græsklipning er 1/3 af græssets længde. Hastigheden over jorden skal justeres, sådan at de afklippede stykker kan fordeles jævnt ind på plænen. Især ved kraftig klipning af tykt græs kan det være nødvendigt at bruge en af de laveste hastigheder for at få et rent, fint klip. Ved klipning af langt græs er du muligvis nødt til at klippe plænen af to omgange, hvor du sænker kniven med endnu en 1/3 af længden ved andet klip og eventuelt klipper græsset i et andet mønster, end det der blev anvendt første gang. En lille smule overlappning af klippet for hver gang, hjælper også med til at fjerne eventuelt spredte afklippede rester, der ligger tilbage på plænen. Plæneklipperen bør altid anvendes ved fuld gas for at få det reneste snit og give maskinen mulighed for at udføre den bedst mulige klipning. Rens undersiden af klippekjoldet. Sørg for at rense undersiden af klippekjoldet hver gang efter brug for at undgå en ophobning af græs, hvilket ellers forhindrer ordentligt mulching. Klipning af blade. Klipning af blade kan også være godt for din græsplæne. Ved klipning af blade skal du sørge for, at de er tørre, samt at der ikke ligger et alt for tykt lag på græsplænen. Du skal ikke vente til alle bladene er faldet af træerne, før du udfører klipning.



ADVARSEL: Hvis du støder på et fremmedlegeme, skal motoren standses. Fjern kablet fra tændrøret og efterse plæneklipperen nøje for skader, og reparer skaden inden du starter og anvender plæneklipperen igen. Hvis plæneklipperen vibrerer voldsomt under anvendelse, kan det være et tegn på beskadigelse. Enheden bør straks efterses og repareres.

7-7 GRÆSOPSAMLER

Der er et gennemsigtigt vindue i bagdækslet, hvor du kan se græssituationen i græsopsamleren.

Hvis græsopsamleren er fuld af græs, er du nødt til at tømme og rense græsopsamleren, sørge for at den er ren, og sikre at der kan passere luft gennem dens trådned. (Fig. 27)

7-8 KLIPPEKJOLD

Undersiden af plæneklipperens klippekjold bør renses hver gang efter brug for at forhindre ophobning af afklippede græsrester, blade, snavs eller andre materialer. Hvis de afklippede rester får lov til at ophobe sig, medvirker det til rust- og korrosionsdannelse og kan forhindre ordentligt mulching. Klippekjoldet kan renses ved at vippe plæneklipperen og skrabe det rent med et passende værktøj (sørg for at tændrørskablets forbindelse er afbrudt).

7-9 INSTRUKTIONER FOR HØJDEJUSTERING



FORSIGTIG: Udfør aldrig nogen justeringer på plæneklipperen uden først at standse motoren og afbryde tændrørskablets forbindelse.



FORSIGTIG: Inden du ændrer klippehøjden, skal du standse plæneklipperen og afbryde tændrørskablets forbindelse.

Plæneklipperen er udstyret med en central højdejusteringsarm, der har 8 højdepositioner.

1. Stands plæneklipperen og afbryd tændrørskablets forbindelse, inden du ændrer plæneklipperens klippehøjde.
2. Den centrale højdejusteringsarm har 8 forskellige højdepositioner.

For at ændre klippehøjden skal du trykke justeringsarmen mod hjulet, og flytte op eller ned på den valgte højde. Alle hjulene indstilles på den samme klippehøjde.

(Fig. 28)

8. VEDLIGEHOLDELSESINSTRUKTIONER

TÆNDRØR

Udskift kun med originale tændrør. Du opnår det bedste resultat ved at udskifte tændrøret efter hver 100 timers brug.

BREMSEKLODSE

Kontroller og/eller udskift med jævne mellemrum motorbremseklodderne hos en serviceagent, kun originale dele kan bruges til udskiftning.

9. SMØREINSTRUKTIONER



FORSIGTIG: ABRYD TÆNDRØRETS FORBINDELSE INDEN EFTERSYN.

1. HJUL-Smør kuglelejerne på hvert hjul mindst én gang i sæsonen med en let olie.
2. MOTOR-Følg motorvejledningen angående instruktioner for smøring.

10. RENGØRING



FORSIGTIG: Spul ikke motoren med en vandslange. Vandet kan beskadige motoren og forurene brændstofsysteet.

1. Tør klippekjoldet af med en tør klud.
2. Spul med en vandslange under klippekjoldet ved at vippe plæneklipperen, sådan at tændrøret er opad.

10-1 MOTORLUFTFILTER



FORSIGTIG: Sørg for at snavs eller støv ikke tilstopper luftfilterets skumelement. Motorens luftfilterelement skal efterses (renses) efter 25 timers normal plæneklipping. Skumelementet skal efterses regelmæssigt, hvis plæneklipperen anvendes under tørre, støvede forhold.

SÅDAN RENSES LUFTFILTERET

1. Løft tappen på filterdækslet. (Fig. 29)
2. Fjern filterdækslet.
3. Vask filterelementet i sæbevand. **BRUG IKKE**

BENZIN!

4. Lufttør filterelementet.
5. Put et par dråber SAE30-olie på skumfilteret og vrid det omhyggeligt for at fjerne eventuelt overskud af olie.
6. Monter filteret igen.
7. Luk filterdækslet.

BEMÆRK: Udskift filteret hvis det er flosset, flænset, beskadiget eller ikke kan renses.

10-2 KNIV



FORSIGTIG: Sørg for at afbryde og jorde tændrørskablet inden arbejdet med kniven for at forhindre utilsigtet start af motoren. Beskyt hænderne ved at anvende tykke handsker eller en klud, når du griber om knivene. Vip plæneklipperen som anvist i den separate motorvejledning. Fjern sekskantbolten og skiven, der holder kniven og knivadapteren fast på motorens krumtapaksel. Afmonter kniven og adapteren fra krumtapakslen.



ADVARSEL: Efterses regelmæssigt knivadapteren for revner, især hvis du rammer et fremmedlegeme. Udskiftes om nødvendigt. Du opnår de bedste resultater med en skarp kniv. Kniven kan skærpes ved at afmontere den og enten slibe eller file knivsågen, sådan at den oprindelige smig opretholdes så vidt muligt. Det er ekstremt vigtigt, at hver knivsåg slibes lige meget for ikke at få en uafbalanceret kniv. En forkeft balanceret kniv medfører voldsomme vibrationer og kan forårsage skade på motoren og plæneklipperen. Sørg for at balancere kniven omhyggeligt efter slibning. Knivens balance kan testes ved at balancere den på en rundskafet skruetrækker. Fjern metal fra den tunge side indtil den balancerer jævnt. (Fig. 30) Inden du monterer kniven og knivadapteren på enheden, skal du smøre motorens krumtapaksel og indersiden af knivadapteren med en let olie. Installer knivadapteren på krumtapakslen. Se Fig. 30. Placer kniven med delnummeret vendende væk fra adapteren. Placer skiven over kniven og indsæt sekskantbolten. Stram sekskantbolten med det moment, der er anvist nedenfor.

10-3 KNIVMONTERINGSMOMENT

Centerbolt 40 Nm - 50 Nm, for at sikre sikker anvendelse af din enhed. ALLE møtrikker og bolte skal regelmæssigt kontrolleres for korrekt tilspænding.

Efter længere brug, især ved sandede jordforhold, bliver kniven slidt og mister noget af den oprindelige form. Effektiviteten af klipningen reduceres, og kniven bør udskiftes. Udskift kniv med en fabriksgodkendt kniv. Eventuelle skader pga. en uafbalanceret kniv er ikke producentens ansvar. Når du udskifter kniven, skal du anvende den originale type, som er mærket på kniven (MAKITA 263001171) (kontakt din lokale forhandler eller ring til vores firma angående bestilling af en ny kniv, se forsiden).

10-4 MOTOR

Se den separate motorvejledning angående instruktioner for motorvedligeholdelse.

Vedligehold motorolien som anvist i den separate motorvejledning, der kom sammen med din enhed. Læs og følg instruktionerne omhyggeligt. Foretag eftersyn af luftfilteret som anvist i den separate motorvejledning under normale forhold.

Under ekstremt støvede forhold skal det altid renses efter nogle få timers brug. Dårlig motorydelse og drukning af motoren angiver, at luftfilteret bør efterses.

For at foretage eftersyn af luftfilteret skal du se den separate motorvejledning, der kom sammen med din enhed.

Tændrøret skal renses, og afstanden genindstilles én gang i sæsonen. Det anbefales, at udskifte tændrøret i starten af hver klippesæson; se motorvejledningen angående korrekt tændrørstype og afstandsspecifikationer.

Rens jævnlgt motoren med en klud eller en børste. Hold afkølingsystemet (blæserhusområdet) rent for at sikre ordentlig luftcirkulation, hvilket er essentielt for motorydelse og -levetid. Sørg for at fjerne alt græs, snavs og brandbart materiale fra lyddæmperområdet.

11. OPBEVARINGSINSTRUKTIONER (UDEN FOR SÆSONEN)

Følgende skridt bør tages for at klargøre plæneklipperen til opbevaring.

1. Tøm tanken efter sæsonens sidste klipping.
 - a) Tøm benzintanken med en pumpe.



FORSIGTIG: Tøm ikke benzin af i lukkede rum, i nærheden af åben ild osv. Rygning forbudt! Benzindampe kan forårsage eksplosion eller brand.

- b) Start motoren og lad den køre indtil den har opbrugt al den resterende benzin og standser.
 - c) Fjern tændrøret. Brug en oliekanne til at fylde ca. 20 ml olie i forbrændingskammeret. Aktivér starteren for at fordele olien jævnt i forbrændingskammeret. Udskift tændrøret.
2. Rens og smør plæneklipperen omhyggeligt som beskrevet ovenfor under "SMØREINSTRUKTIONER".
 3. Påfør lidt smørelse på kniven for at forhindre rust.
 4. Opbevar plæneklipperen på et tørt, rent og frostbeskyttet sted, uden for uautoriserede personers rækkevidde.



FORSIGTIG: Motoren skal være kølet fuldstændigt ned, inden plæneklipperen gemmes væk.

**BEMÆRK:**

- Ved opbevaring af enhver type motorudstyr på et uventileret sted eller i et opbevaringsskur.
- Sørg for at rustsikre udstyret. Brug en let olie eller silikoneolie til at lægge en hinde over udstyret, især kabler og alle bevægelige dele.
- Sørg for ikke at bøje eller knække kabler.
- Hvis startsnoren løsner sig fra gennemføringen på håndtaget, skal du afbryde og jorde tændrørskablet, trykke ind på knivkontrolhåndtaget og langsomt trække startsnoren ud fra motoren. Før startsnoren ind i gennemføringsbolten på håndtaget.

Transport

Sluk for motoren og lad den køle af. Sæt derefter tændrørsledningen i forbindelse og tøm brændstoftanken som beskrevet i motorbrugsanvisningen. Sørg for ikke at bøje eller beskadige klingene, når du skubber plæneklipperen hen over genstande.

12. FEJLFINDING

| PROBLEM | SANDSYNLIG ÅRSAG | AFHJÆLPNING |
|---|--|--|
| Motoren starter ikke. | Gashåndtaget er ikke i den rigtige position under de aktuelle forhold. | Flyt gashåndtaget hen på den rigtige position. |
| | Brændstoftanken er tom. | Fyld brændstof på tanken: se BRUGERVEJLEDNING TIL MOTOR. |
| | Luftfilterelementet er beskidt. | Rens luftfilterelementet: se BRUGERVEJLEDNING TIL MOTOR. |
| | Løst tændrør. | Stram tændrøret til 25-30 Nm. |
| | Tændrørskablet er løst eller afbrudt fra stikket. | Monter tændrørskablet på tændrørsstikket. |
| | Forkert tændrørsafstand. | Indstil afstanden mellem elektroderne på 0,7 til 0,8 mm. |
| | Tændrøret er defekt. | Monter et nyt tændrør med korrekt tændrørsafstand. se BRUGERVEJLEDNING TIL MOTOR. |
| | Karburatoren er druknet i brændstof. | Afmonter luftfilterelementet og fortsæt med at trække i startsnoren indtil karburatoren renses sig selv, og monter derefter luftfilterelementet. |
| | Defekt tændingsmodul. | Kontakt servicerepræsentanten. |
| Det er svært at starte motoren, eller den mister kraft. | Snavs, vand eller gammelt brændstof i tanken. | Tøm brændstoffet af og rens tanken. Fyld tanken med rent, frisk brændstof. |
| | Udluftningshullet i brændstoftankens dæksel er tilstoppet. | Rens eller udskift brændstoftankens dæksel. |
| | Luftfilterelementet er beskidt. | Rens luftfilterelementet. |
| Motoren kører ujævnt. | Tændrøret er defekt. | Monter et nyt tændrør med korrekt tændrørsafstand. se BRUGERVEJLEDNING TIL MOTOR. |
| | Forkert tændrørsafstand. | Indstil afstanden mellem elektroderne på 0,7 til 0,8 mm. |
| | Luftfilterelementet er beskidt. | Rens luftfilterelementet: se BRUGERVEJLEDNING TIL MOTOR. |
| Motoren går dårligt i tomgang. | Luftfilterelementet er beskidt. | Rens luftfilterelementet: se BRUGERVEJLEDNING TIL MOTOR. |
| | Luftåbningerne i motorhuset er blokeret. | Fjern græsrester fra åbningerne. |
| | Køleribber og luftpassager under motorens blæserhus er blokeret. | Fjern græsrester fra køleribber og luftpassager. |
| Motoren hopper ved høj hastighed. | Afstanden mellem tændrørets elektroder er for lille. | Indstil afstanden mellem elektroderne på 0,7 til 0,8 mm. |

| PROBLEM | SANDSYNLIG ÅRSAG | AFHJÆLPNING |
|-----------------------------------|---|---|
| Motoren overopheder. | Gennemstrømningen af køleluft er begrænset. | Fjern eventuelle græsrester fra åbningerne i motorhuset, blæserhuset og luftpassager. |
| | Forkert tændrør. | Installer originalt tændrør og køleribber på motoren. |
| Plæneklipperen vibrerer unormalt. | Knivmontagen er løs. | Stram kniven. |
| | Knivmontagen er ikke afbalanceret. | Afbalancer kniven. |

13. MILJØ

Skulle din maskine trænge til at blive udskiftet efter lang tids brug, skal den ikke bortskaffes sammen med husholdningsaffald, men bortskaffes på en miljømæssig sikker måde.

14. EF-KONFORMITETSERKLÆRING

Kun for lande i Europa

EF-konformitetserklæringen er inkluderet som Tillæg A til denne instruktionsvejledning.

Περιγραφή γενικής όψης

- | | | |
|--|--------------------------------|--|
| 1. Χερούλι χειρισμού φρένου | 9. Μοχλός ρύθμισης ύψους | 18. Μοχλός ρύθμισης ταχύτητας |
| 2. Πάνω τμήμα χερουλιού | 10. Πλευρικό κανάλι εκφόρτωσης | 19. Σφήνα δημιουργίας υπολειμμάτων γρασιδιού |
| 3. Χερούλι χειρισμού αυτόματης κίνησης | 11. Πτερύγιο πλευρικού θαλάμου | 20. Κουμπί |
| 4. Μοχλός τσοκ | 12. Πλατφόρμα | 21. Τάπα λαδιού/ράβδος στάθμης |
| 5. Χερούλι εκκινήτῆρα | 13. Μπουζί | 22. Μέγιστο: ανώτερο όριο |
| 6. Οδηγός σχοινοῦ | 14. Τάπα καυσίμου | 23. Ελάχιστο: κατώτατο όριο |
| 7. Κουμπί ασφάλισης | 15. Τάπα λαδιού | 24. Γλωττίδα |
| 8. Συλλογέας γρασιδιού | 16. Σφιγκτήρας καλωδίου | 25. Κάλυμμα φίλτρου |
| | 17. Κάτω τμήμα χερουλιού | |

**ΠΡΟΕΙΔΟΠΟΙΗΣΗ:**

Για τη δική σας ασφάλεια, διαβάστε αυτό το εγχειρίδιο πριν προσπαθήσετε να θέσετε σε λειτουργία την καινούργια σας συσκευή. Αν δεν ακολουθήσετε τις οδηγίες, μπορεί να προκληθεί σοβαρός προσωπικός τραυματισμός. Αφιερώστε λίγο χρόνο για να εξοικειωθείτε με το χλοοκοπτικό πριν από κάθε χρήση. Διατηρείτε αυτό το εγχειρίδιο σε ασφαλές μέρος, για να είναι οι πληροφορίες διαθέσιμες ανά πάσα στιγμή. Αν δώσετε τον εξοπλισμό σε άλλο άτομο, δώστε και αυτές τις οδηγίες λειτουργίας αλλά και τους κανονισμούς ασφάλειας.

Προοριζόμενη χρήση

Ο εξοπλισμός μπορεί να χρησιμοποιηθεί μόνο για τις εργασίες για τις οποίες έχει σχεδιαστεί. Οποιαδήποτε άλλη χρήση θεωρείται κακή χρήση. Ο χρήστης/χειριστής, και όχι ο κατασκευαστής, θα ευθύνεται για οποιαδήποτε ζημιά ή τραυματισμούς οποιουδήποτε είδους που προκαλούνται ως αποτέλεσμα τούτου.

Το βενζινοκίνητο χλοοκοπτικό προορίζεται για ιδιωτική χρήση, δηλ. για χρήση στο περιβάλλον του σπιτιού και του κήπου.

Η ιδιωτική χρήση του χλοοκοπτικού αναφέρεται σε ετήσιο χρόνο λειτουργίας που γενικά δεν ξεπερνάει τις 50 ώρες και, κατά το χρονικό αυτό διάστημα, το μηχάνημα χρησιμοποιείται πρωτίστως για τη συντήρηση οικιστικού γρασιδιού, μικρής κλίμακας, και κήπων σπιτιού/αναψυχής. Εξαιρούνται οι δημόσιες εγκαταστάσεις, οι αθλητικές εγκαταστάσεις και οι αγροτικές/δασσοκομικές εφαρμογές.

Να γνωρίζετε ότι ο εξοπλισμός μας δεν έχει σχεδιαστεί για χρήση σε εμπορικές, επαγγελματικές ή βιομηχανικές εφαρμογές. Η εγγύησή μας θα ακυρωθεί αν το μηχάνημα χρησιμοποιηθεί σε εμπορικές, επαγγελματικές ή βιομηχανικές επιχειρήσεις ή για ισοδύναμους σκοπούς. Οι οδηγίες λειτουργίας που παρέχονται από τον κατασκευαστή πρέπει να φυλάσσονται και να γίνεται αναφορά σε αυτές προκειμένου να διασφαλιστεί ότι το χλοοκοπτικό χρησιμοποιείται και συντηρείται σωστά. Οι οδηγίες περιέχουν πολύτιμες πληροφορίες για τις συνθήκες λειτουργίας, συντήρησης και σέρβις.

Σημαντικό! Εξαιτίας του υψηλού κινδύνου για πρόκληση σωματικού τραυματισμού στο χρήστη, δεν επιτρέπεται το χλοοκοπτικό να χρησιμοποιείται για το κλάδεμα θάμνων, φυλλωδών φραχτών ή βάτων, για την κοπή αναρριχητικής βλάστησης, φυτών σε ταρατσές ή γρασιδιού σε μπαλκόνια, για τον καθαρισμό (αναρρόφηση) βρομιάς και σκουπιδιών από πεζοδρόμια ή για τον τεμαχισμό αποκομμάτων δέντρων ή φυλλωδών φραχτών. Επίσης,

δεν επιτρέπεται το χλοοκοπτικό να χρησιμοποιείται ως ηλεκτρικός καλλιεργητής για την ισοπέδωση προεξέχοντων περιοχών όπως λοφίσκων τυφλοπόντικων. Για λόγους ασφαλείας, το χλοοκοπτικό δεν επιτρέπεται να χρησιμοποιείται ως μονάδα κίνησης για άλλα εργαλεία εργασίας ή kit εργαλείων οποιουδήποτε είδους.

1. ΣΥΜΒΟΛΑ ΠΟΥ ΕΙΝΑΙ ΤΥΠΩΜΕΝΑ ΣΤΟ ΠΡΟΪΟΝ (στο πίσω κάλυμμα)

Διαβάστε το εγχειρίδιο του χρήστη.



Κρατήστε μακριά τους παρευρισκόμενους.



Δώστε περισσότερη προσοχή στα χέρια και στα πόδια του χειριστή για να αποτρέψετε τον τραυματισμό.



Το καύσιμο είναι εύφλεκτο, κρατήστε μακριά τη φωτιά. Μην προσθέσετε καύσιμο όταν λειτουργεί το μηχάνημα.



Τοξικοί ατμοί. Μην το λειτουργείτε μέσα στο σπίτι.



Κατά την κοπή χόρτων, παρακαλώ φοράτε γυαλιά και ωτοασπίδες για την προστασία του χειριστή.



Κατά την επισκευή, παρακαλώ βγάλτε το μπουζί και επισκευάστε σύμφωνα με το εγχειρίδιο οδηγιών.



Προσοχή: Ο κινητήρας είναι ζεστός.

2. ΓΕΝΙΚΟΙ ΚΑΝΟΝΕΣ ΑΣΦΑΛΕΙΑΣ



ΠΡΟΕΙΔΟΠΟΙΗΣΗ: Όταν χρησιμοποιείτε βενζινοκίνητα εργαλεία, πάντοτε πρέπει να ακολουθείτε όλες τις βασικές προφυλάξεις για την ασφάλεια, περιλαμβανομένων αυτών που περιγράφονται στη συνέχεια, για να μειώσετε τον κίνδυνο προσωπικού τραυματισμού και/ή βλάβης της συσκευής. Διαβάστε όλες αυτές τις οδηγίες πριν τον χειρισμό αυτού του προϊόντος και κρατήστε τις για μελλοντική αναφορά.



ΠΡΟΕΙΔΟΠΟΙΗΣΗ: Το μηχάνημα αυτό παράγει ένα ηλεκτρομαγνητικό πεδίο κατά τη λειτουργία. Το πεδίο αυτό, υπό ορισμένες συνθήκες, μπορεί να προκαλέσει παρεμβολή σε ενεργά ή παθητικά εμφυτεύματα. Για την μείωση του κινδύνου του σοβαρού ή του θανατηφόρου τραυματισμού, συνιστούμε στα άτομα με ιατρικά εμφυτεύματα να συμβουλευτούν τον ιατρό τους και τον κατασκευαστή του ιατρικού εμφυτεύματος πριν από τον χειρισμό αυτού του μηχανήματος.

Εκπαίδευση

- Διαβάστε προσεκτικά τις οδηγίες. Εξοικειωθείτε με τα χειριστήρια και την σωστή χρήση του μηχανήματος. Μάθετε πώς να σταματάτε γρήγορα τον κινητήρα.
- Χρησιμοποιήστε το χλοοκοπτικό μόνο για τον σκοπό για τον οποίο έχει σχεδιαστεί, δηλαδή για την κοπή και την συλλογή γρασιδιού. Η οποιαδήποτε άλλη χρήση μπορεί να είναι επικίνδυνη και να προκαλέσει βλάβη στο μηχάνημα. Παραδείγματα ακατάλληλης χρήσης μπορεί να περιλαμβάνουν μεταξύ άλλων τα:
 - μεταφορά ανθρώπων, παιδιών ή ζώων με το μηχάνημα,
 - χρήση του μηχανήματος ως μεταφορικού σας μέσου,
 - χρήση του μηχανήματος για έλξη ή ώθηση φορτίων,
 - χρήση του μηχανήματος για συλλογή φύλλων ή αποκομμάτων,
 - χρήση του μηχανήματος για περιποίηση φρακτών ή για την κοπή βλάστησης, εκτός από χόρτο.
 - χρήση του μηχανήματος από περισσότερα από ένα άτομο,
 - χρησιμοποίηση της λάμας σε επιφάνειες διαφορετικές από το γρασίδι.
- Ποτέ μην επιτρέψετε την χρήση του χλοοκοπτικού από παιδιά ή από άτομα που δεν γνωρίζουν αυτές τις οδηγίες. Μπορεί να υπάρχει περιορισμός όσον αφορά την ηλικία του χρήστη από την τοπική νομοθεσία.
- Ποτέ μην χρησιμοποιήσετε το χλοοκοπτικό:
 - όταν βρίσκονται κοντά άτομα, ιδιαίτερα παιδιά ή κατοικίδια ζώα,

- εάν ο χειριστής έχει λάβει φάρμακα ή ουσίες που μπορεί να επηρεάσουν την ικανότητα αντίδρασης και συγκέντρωσης.

- Έχετε κατά νου ότι ο χρήστης ή ο χειριστής είναι υπεύθυνος για τα ατυχήματα ή τους κινδύνους που προκαλούνται στα άλλα άτομα ή στην ιδιοκτησία τους.
- Οι χειριστές πρέπει να λάβουν σωστή εκπαίδευση για τη χρήση, ρύθμιση και λειτουργία του εργαλείου, συμπεριλαμβανομένων των απαγορευμένων λειτουργιών.

Προετοιμασία

- Κατά την κοπή του γρασιδιού πάντοτε να φοράτε ενισχυμένα παπούτσια και μακριά παντελόνια. Μην χειρίζεστε τη συσκευή όταν δεν φοράτε παπούτσια ή όταν φοράτε ανοικτά πέδιλα.
- Επιδειρώστε σχολαστικά την περιοχή στην οποία θα χρησιμοποιηθεί ο εξοπλισμός και απομακρύνετε όλα τα αντικείμενα, όπως πέτρες, παιχνίδια, ξύλα και σύρματα, τα οποία μπορούν να εκσφενδονιστούν από το μηχάνημα.
- **ΠΡΟΕΙΔΟΠΟΙΗΣΗ-** Η βενζίνη είναι πάρα πολύ εύφλεκτη.
 - αποθηκεύετε το καύσιμο σε δοχεία που είναι ειδικά σχεδιασμένα για αυτό το σκοπό,
 - ανεφοδιάστε σε εξωτερικό χώρο και να μην καπνίζετε κατά τη διάρκεια του ανεφοδιασμού,
 - προσθέστε καύσιμο πριν την εκκίνηση του κινητήρα. Ποτέ να μην αφαιρέσετε την τάπα του ρεζερβουάρ καυσίμου ή να προσθέσετε βενζίνη καθώς ο κινητήρας λειτουργεί ή όταν ο κινητήρας είναι ζεστός.
 - εάν η βενζίνη χυθεί κάτω μην προσπαθήσετε να ξεκινήσετε τον κινητήρα αλλά μετακινήστε το μηχάνημα μακριά από την περιοχή αυτή και αποφύγετε να δημιουργήσετε την οποιαδήποτε πηγή ανάφλεξης έως ότου εξαλειφθούν οι ατμοί της βενζίνης.
 - επανατοποθετήστε καλά όλες τις τάπες του ρεζερβουάρ καυσίμου και των δοχείων.
- Αντικαταστήστε όλους τους σιγαστήρες που έχουν υποστεί βλάβη.
- Πριν από την χρήση, πάντοτε να κάνετε μια οπτική επιθεώρηση για να δείτε ότι δεν έχουν φθαρεί ή έχουν πάθει βλάβη οι λάμες, τα μπουλόνια των λαμών και το συγκρότημα του κόφτη. Αντικαταστήστε ταυτόχρονα όλες τις λάμες και τα μπουλόνια που έχουν υποστεί φθορά ή ζημιά για να διατηρήσετε την ζυγοστάθμιση.
- Να πραγματοποιείτε τακτικούς ελέγχους για να διασφαλίσετε ότι όλες οι αλληλασφαλίσεις εκκίνησης και τα χειριστήρια παρουσίας χειριστή λειτουργούν σωστά.

Λειτουργία

- Μην λειτουργήσετε τον κινητήρα σε ένα περιορισμένο χώρο όπου μπορούν να συγκεντρωθούν οι επικίνδυνοι ατμοί του μονοξειδίου του άνθρακα.
- Μη χρησιμοποιείτε το μηχάνημα όταν είσατε κουρασμένοι, άρρωστοι ή υπό την επήρεια αλκοόλ ή άλλων ναρκωτικών ουσιών.
- Προειδοποίηση! Μη χρησιμοποιείτε το χλοοκοπτικό όταν υπάρχει κίνδυνος κεραυνών.

- Συνιστάται να περιορίσετε τη διάρκεια της λειτουργίας, προκειμένου να ελαχιστοποιήσετε τους κινδύνους από το θόρυβο και τις δονήσεις.
- Προσέχετε όταν χρησιμοποιείτε το χλοοκοπτικό σε κατηφόρες ή κοντά σε απότομες κλίσεις, χαντάκια ή αναχώματα.
- Να κόβετε το γρασίδι μόνο κατά τη διάρκεια της ημέρας ή όταν υπάρχει επαρκής τεχνητός φωτισμός.
- Όπου είναι εφικτό, αποφεύγετε να χρησιμοποιείτε την συσκευή σε υγρό γρασίδι.
- Πάντοτε να κρατάτε καλό βηματισμό στις πλαγιές.
- Περπατάτε, ποτέ να μην τρέχετε.
- Με τα τροχοφόρα περιστεροφικά μηχανήματα, κόβετε το γρασίδι κατά πλάτος των επικλινών εδαφών, ποτέ πάνω και κάτω.
- Να δίνετε μεγάλη προσοχή κατά την αλλαγή διεύθυνσης σε επικλινή εδάφη.
- Μην κόβετε γρασίδι σε εδάφη με υπερβολικά μεγάλη κλίση.
- Δώστε μεγάλη προσοχή όταν κάνετε αναστροφή ή όταν τραβάτε το χλοοκοπτικό προς το μέρος σας.
- Σταματήστε τη λάμα(ες) εάν στο χλοοκοπτικό πρόκειται να δοθεί κλίση για να μεταφερθεί πάνω από επιφάνειες στις οποίες δεν υπάρχει γρασίδι, καθώς επίσης και κατά την μετακίνηση του χλοοκοπτικού από και προς την περιοχή στην οποία θα κοπεί το γρασίδι.
- Ποτέ να μην λειτουργείτε το χλοοκοπτικό με ελαττωματικούς προφυλακτήρες ή χωρίς να είναι τοποθετημένες οι συσκευές ασφαλείας, για παράδειγμα οι εκτροπείς και/ή οι συλλέκτες γρασιδιού.
- Προσοχή: Το χλοοκοπτικό δεν πρέπει να τεθεί σε λειτουργία χωρίς να βρίσκεται στη θέση του ολόκληρου ο συλλογέας γρασιδιού ή το αυτοκλινόμενο προστατευτικό ανοίγματος εκκένωσης.
- Μην αλλάξετε τις ρυθμίσεις του ρυθμιστή του κινητήρα ή μην αυξήσετε υπερβολικά την ταχύτητα του κινητήρα.
- Μην τροποποιείτε και μην παραβιάζετε οποιαδήποτε σφραγισμένη ρύθμιση για το χειριστήριο στρωφών κινητήρα.
- Δεν πρέπει να παραβιάζετε ή να απενεργοποιείτε τα συστήματα ή χαρακτηριστικά ασφαλείας του χλοοκοπτικού.
- Απεμπλέξτε όλες τις λάμες και τους συμπλέκτες μετάδοσης κίνησης πριν ξεκινήσετε τον κινητήρα.
- Ξεκινήστε τον κινητήρα προσεκτικά σύμφωνα με τις οδηγίες και με τα πόδια σας μακριά από τη λάμα(ες).
- Μην δώσετε κλίση στο χλοοκοπτικό κατά την εκκίνηση του κινητήρα.
- Μην ξεκινάτε τον κινητήρα όταν στέκεστε μπροστά από το στόμιο εκφόρτισης.
- Μην βάλτε τα χέρια σας ή τα πόδια σας κοντά ή κάτω από τα περιστρεφόμενα μέρη. Κρατηθείτε πάντοτε μακριά από τα στόμια εκφόρτισης.
- Ποτέ να μην σηκώνετε ή μεταφέρετε το χλοοκοπτικό όταν λειτουργεί ο κινητήρας.
- Σταματήστε τον κινητήρα και αποσυνδέστε το καλώδιο του μπουζί, βεβαιωθείτε ότι όλα τα κινούμενα μέρη έχουν σταματήσει εντελώς, καθώς επίσης όπου υπάρχει τοποθετημένο κλειδί αφαιρέστε το:
 - πριν από τα ξεμπλοκαρίσματα ή από τον καθαρισμό του στομίου,
 - πριν από τον έλεγχο, τον καθαρισμό ή την εκτέλεση εργασίας πάνω στο χλοοκοπτικό,

- μετά από το κύπτωμα ενός ξένου αντικειμένου.

Επιθεωρήστε το χλοοκοπτικό για την ύπαρξη ζημιών και πραγματοποιήστε τις επιδιορθώσεις πριν την επανεκκίνηση και τη χρήση του,

- εάν το χλοοκοπτικό αρχίσει να δονείται με μη φυσιολογικό τρόπο (επιθεωρήστε αμέσως).
- Σταματήστε τον κινητήρα και αποσυνδέστε το καλώδιο του μπουζί, βεβαιωθείτε ότι όλα τα κινούμενα μέρη έχουν σταματήσει εντελώς, καθώς επίσης όπου υπάρχει τοποθετημένο κλειδί αφαιρέστε το:
 - όποτε αφήνετε μόνο του το χλοοκοπτικό,
 - πριν από τον ανεφοδιασμό με καύσιμο.
- Ελαττώστε τη ρύθμιση του γκαζιού κατά το σήσιμο του κινητήρα, καθώς επίσης όταν υπάρχει στον κινητήρα μια βαλβίδα διακοπής, διακόπτε την παροχή καυσίμου με την ολοκλήρωση της εργασίας κοπής του γρασιδιού.
- Χρησιμοποιήστε το χλοοκοπτικό μόνο για τον σκοπό για τον οποίο έχει σχεδιαστεί, δηλαδή για την κοπή και την συλλογή γρασιδιού. Η οποιαδήποτε άλλη χρήση μπορεί να είναι επικίνδυνη και να προκαλέσει βλάβη στο μηχανήμα.

Συντήρηση και αποθήκευση

- Διατηρήστε όλα τα παξιμύδια, τα μπουλόνια και τις βίδες σφικτά για να εξασφαλίσετε ότι η συσκευή βρίσκεται σε ασφαλή κατάσταση λειτουργίας.
- Ποτέ μην αποθηκεύσετε τη συσκευή σε ένα κτήριο με τη βενζίνη μέσα στο ρεζερβουάρ, όπου οι αναθυμιάσεις μπορεί να φτάσουν σε μια γυμνή φλόγα ή σε σπινθήρα.
- Αφήστε τον κινητήρα να κρυώσει πριν την αποθήκευση στον οποιοδήποτε κλειστό χώρο. Καθαρίστε και συντηρήστε το χλοοκοπτικό πριν από την αποθήκευση.
- Για να ελαττώσετε τον κίνδυνο πρόκλησης πυρκαγιάς, διατηρήστε τον κινητήρα, τον σιγαστήρα, το διαμέρισμα της μπαταρίας και την περιοχή φύλαξης της βενζίνης καθαρά από γρασίδι, φύλλα ή υπερβολικό γράσο.
- Ελέγχετε τακτικά το συλλογέα γρασιδιού για την ύπαρξη φθοράς ή επιδεινώσης της λειτουργίας.
- Για ασφάλεια αντικαθιστάτε τα φθαρμένα ή κατεστραμμένα εξαρτήματα.
- Αν πρέπει να αποστραγγίσετε το ρεζερβουάρ καυσίμου, η ενέργεια αυτή πρέπει να γίνει σε εξωτερικό χώρο.
- Η λανθασμένη συντήρηση, η χρήση συστατικών αντικατάστασης χωρίς συμμόρφωση ή η αφαίρεση ή η τροποποίηση των συστατικών ασφαλείας μπορούν να προκαλέσουν ζημιά στο χλοοκοπτικό και να τραυματίσουν σοβαρά τους χειριστές.
- Να χρησιμοποιείτε μόνο τις λάμες και ανταλλακτικά που συνιστώνται από τον κατασκευαστή. Η χρήση μη γνήσιων ανταλλακτικών μπορεί να προκαλέσει ζημιά στο μηχανήμα και να τραυματίσει τους χειριστές. Να διατηρείτε το χλοοκοπτικό σε καλή λειτουργική κατάσταση.
- Αν δεν λειτουργεί η διάταξη διακοπής της λάμας, επικοινωνήστε με το κέντρο σέρβις για βοήθεια.

Μεταφορά και χειρισμός

- Κάθε φορά που γίνεται χειρισμός, ανύψωση, μεταφορά ή κλίση του μηχανήματος θα πρέπει να:
 - φοράτε ανθεκτικά γάντια εργασίας,
 - πάνετε το μηχανήμα στα σημεία που προσφέρουν ασφαλή λαβή, λαμβάνοντας υπόψη το βάρος και την κατανομή του,

- χρησιμοποιήστε ένα κατάλληλο αριθμό απόμων για το βάρος του μηχανήματος και για τα χαρακτηριστικά του οχήματος ή για την τοποθεσία όπου θα τοποθετηθεί ή αποθηκευτεί.
- Κατά την μεταφορά, δέστε το μηχάνημα με ασφάλεια χρησιμοποιώντας σχοινιά ή αλυσίδες.



ΠΡΟΕΙΔΟΠΟΙΗΣΗ: Μην αγγίζετε την περιστρεφόμενη λάμα.



ΠΡΟΕΙΔΟΠΟΙΗΣΗ: Ανεφοδιάστε σε μια καλά αεριζόμενη περιοχή με τον κινητήρα σταματημένο.

3. ΠΕΡΙΓΡΑΦΗ ΕΞΑΡΤΗΜΑΤΩΝ (Εικ. 1)

Συμπεριλαμβάνονται

A: Κλειδί για το μπουξί

4. ΤΕΧΝΙΚΑ ΔΕΔΟΜΕΝΑ

| | |
|---------------------------------|------------------------------|
| Μοντέλο | PLM5600N2 |
| Τύπος κινητήρα | Σειρά B&S 675EXi, ReadyStart |
| Αυτοκινούμενο | Ναι |
| Εκτόπισμα κινητήρα | 163 cm ³ |
| Ονομαστική ισχύς | 2,6 kW |
| Πλάτος λάμας | 560 mm |
| Ονομαστική ταχύτητα | 2.800/min |
| Χωρητικότητα δοχείου καυσίμου | 1,0 L |
| Χωρητικότητα ρεζερβουάρ λαδιού | 0,47 L |
| Χωρητικότητα συλλογέα γρασιδιού | 70 L |
| Καθαρό βάρος | 37,2 kg |
| Ρύθμιση ύψους | 25-70 mm, 8 ρυθμίσεις |

| | |
|--|---|
| Μοντέλο | PLM5600N2 |
| Εγγυημένο επίπεδο ηχητικής πίεσης στη θέση του χειριστή (Σύμφωνα με τα πρότυπα EN ISO 5395-1 Παράρτημα F α EN ISO 5395-2, EN ISO 4871) | 88,5 dB (A) (K=3 dB (A)) |
| Μετρημένο επίπεδο ηχητικής ισχύος Εγγυημένο επίπεδο ηχητικής ισχύος (Σύμφωνα με το πρότυπο 2000/14/ΕΚ) | 96,3 dB (A) K=1,86 dB (A) 98 dB (A) |
| Κραδασμός (Σύμφωνα με τα πρότυπα EN ISO 5395-1 Παράρτημα G και EN ISO 5395-2) | 7,90 m/s ² K=1,5 m/s ² |

5. ΣΥΝΑΡΜΟΛΟΓΗΣΗ

5-1 ΣΥΝΑΡΜΟΛΟΓΗΣΗ ΤΟΥ ΑΝΑΔΙΠΛΟΥΜΕΝΟΥ ΧΕΡΟΥΛΙΟΥ

1. Στερεώστε την κάτω ράβδο οδήγησης στο στήριγμα του χερουλιού με το μπουλόνι, τη ροδέλα και το κουμπί ασφάλισης. **(Εικ. 2, Εικ. 3)**
2. Συνδέστε το πάνω τμήμα του χερουλιού και το κάτω τμήμα του χερουλιού με το κουμπί ασφάλισης. **(Εικ. 4, Εικ. 5)**
3. Τοποθετήστε το καλώδιο γύρω από την τρύπα στο μέσον του άξονα του κάτω τμήματος του χερουλιού. Στερεώστε το με το σφιγκτήρα καλωδίου και βεβαιωθείτε ότι το καλώδιο είναι στερεωμένο γύρω από το εξωτερικό του χερουλιού. **(Εικ. 6)** Σε αντίθετη περίπτωση το καλώδιο μπορεί να τρυπηθεί από το άνοιγμα/κλείσιμο του πίσω καλύμματος.

5-2 ΡΥΘΜΙΣΗ ΤΟΥ ΚΑΤΑΛΛΗΛΟΥ ΥΨΟΥΣ ΤΟΥ ΧΕΡΟΥΛΙΟΥ

- 1) Ξεβιδώστε το κουμπί ασφάλισης που στερεώνει το κάτω τμήμα του χερουλιού.
- 2) Μετακινήστε προς τα πάνω και κάτω το κατώτερο τμήμα του χερουλιού και ρυθμίστε το στο κατάλληλο ύψος. Αυτός ο τύπος χλοοκοπτικού παρέχει μια επιλογή από 3 θέσεις ρύθμισης του ύψους. Η θέση ύψους 1, με το κατώτερο τμήμα του χερουλιού προς το έδαφος, είναι η υψηλότερη. Η θέση ύψους 3, με το κατώτερο τμήμα του χερουλιού στο έδαφος, είναι η χαμηλότερη. **(Εικ. 7)**
- 3) Μετά την ρύθμιση του κατώτερου τμήματος του χερουλιού στο κατάλληλο ύψος, στερεώστε το με το κουμπί ασφάλισης. **(Εικ. 8)**

5-3 ΣΤΕΡΕΩΣΗ ΚΑΙ ΑΠΟΣΥΝΑΡΜΟΛΟΓΗΣΗ ΤΟΥ ΣΥΛΛΟΓΕΑ ΓΡΑΣΙΔΙΟΥ

1. Για την τοποθέτηση: Ανυψώστε το πίσω κάλυμμα και συνδέστε το συλλογέα γρασιδιού στο πίσω μέρος του χλοοκοπτικού. **(Εικ. 9, Εικ. 10)**
2. Για την αφαίρεση: Πιάστε και ανυψώστε το πίσω κάλυμμα, αφαιρέστε το συλλογέα γρασιδιού.

5-4 ΧΕΡΟΥΛΙ ΕΚΚΙΝΗΤΗΡΑ

Μετακινήστε το χερουλί εκκινήτηρα από τον κινητήρα προς τον οδηγό του σκονιού. **(Εικ. 11)**

5-5 ΥΨΟΣ ΚΟΠΗΣ

Ασκήστε μια πίεση προς τα έξω για να αποσυνδέσετε τον μοχλό από την οδοντωτή βάση στήριξης. Μετακινήστε τον μοχλό προς τα εμπρός ή πίσω για να ρυθμίσετε το ύψος. **(Εικ. 12 και δείτε τα στοιχεία 7-9)**

6. ΛΕΙΤΟΥΡΓΙΑ

Η κανονική λειτουργία αυτού του χλοοκοπτικού μπορεί να τροποποιηθεί, ανάλογα με τον σκοπό της εφαρμογής: Από χλοοκοπτικό με πίσω συλλογή σε:

1. Χλοοκοπτικό δημιουργίας υπολειμμάτων ή
 2. Χλοοκοπτικό πλευρικής εκφόρτωσης.
- Τί σημαίνει κάλυψη εδάφους με υπολείμματα γρασιδιού;

Κατά την εργασία δημιουργίας υπολειμμάτων γρασιδιού, το γρασιδί κόβεται από το μηχανήμα στο πρώτο βήμα και στη συνέχεια κόβεται ξανά σε μικρά κομμάτια και επιστρέφει πίσω στη λωρίδα του γρασιδιού στο έδαφος ως φυσικό λίπασμα.

Υποδείξεις για την εργασία δημιουργίας υπολειμμάτων γρασιδιού:

- Κανονική κοπή κατά μεγ. 2 cm από το ύψος γρασιδιού των 6 cm στ ως 4 cm.
- Χρησιμοποιήστε ένα κοφτερό μαχαίρι.
- Μην κόβεται υπολείμματα υγρού γρασιδιού.
- Ρυθμίστε τη μέγιστη ταχύτητα κινητήρα.
- Μετακινήστε μόνο με το ρυθμό εργασίας.
- Καθαρίζετε τακτικά τη σφήνα δημιουργίας υπολειμμάτων γρασιδιού, την εσωτερική πλευρά του περιβλήματος και τη λάμα δημιουργίας υπολειμμάτων.

Λειτουργία εκκίνησης

6-1 Τροποποίηση για χλοοκοπτικό δημιουργίας υπολειμμάτων γρασιδιού



ΠΡΟΕΙΔΟΠΟΙΗΣΗ: Μόνο με σταματημένο κινητήρα και ακίνητο κόφτη.

1. Ανυψώστε το πίσω κάλυμμα και αφαιρέστε τον συλλογέα γρασιδιού.
2. Σπρώξτε τη σφήνα δημιουργίας υπολειμμάτων γρασιδιού μέσα στη πλατφόρμα του μηχανήματος. Ασφαλίστε τη σφήνα δημιουργίας υπολειμμάτων γρασιδιού με το κουμπί μέσα στο άνοιγμα της πλατφόρμας. **(Εικ. 13, Εικ. 14)**
3. Χαμηλώστε ξανά το πίσω κάλυμμα. **(Εικ. 15)**
4. Ανυψώστε το πτερύγιο του πλευρικού θαλάμου και αφαιρέστε το πλευρικό κανάλι εκφόρτωσης.

6-2 Αναδιάταξη για κοπή γρασιδιού με πλευρική εκφόρτωση.



Μόνο με σταματημένο κινητήρα και ακινητοποιημένη κοπή!

1. Ανυψώστε το πίσω κάλυμμα και αφαιρέστε τον συλλογέα γρασιδιού.
2. Σπρώξτε τη σφήνα δημιουργίας υπολειμμάτων γρασιδιού μέσα στη πλατφόρμα του μηχανήματος. Ασφαλίστε τη σφήνα δημιουργίας υπολειμμάτων γρασιδιού με το κουμπί μέσα στο άνοιγμα της πλατφόρμας.
3. Ανυψώστε το πτερύγιο του πλευρικού θαλάμου για εκφόρτωση από το πλάι. **(Εικ. 16)**
4. Στερεώστε το πλευρικό κανάλι εκφόρτωσης για την πλευρική εκφόρτωση στον πεύρο στήριξης του πτερυγίου του πλευρικού θαλάμου. **(Εικ. 17)**
5. Χαμηλώστε το πτερύγιο του πλευρικού θαλάμου- το πτερύγιο βρίσκεται στο πλευρικό κανάλι εκφόρτωσης. **(Εικ. 18)**

6-3 Κοπή γρασιδιού με το συλλογέα γρασιδιού



ΠΡΟΕΙΔΟΠΟΙΗΣΗ: Μόνο με σταματημένο κινητήρα και ακινητοποιημένη κοπή.

Για την κοπή γρασιδιού με το συλλογέα γρασιδιού, αφαιρέστε τη σφήνα δημιουργίας υπολειμμάτων γρασιδιού και το πλευρικό κανάλι εκφόρτωσης για την πλευρική εκφόρτωση και στερεώστε το συλλογέα γρασιδιού.

1. Αφαίρεση της σφήνας δημιουργίας υπολειμμάτων γρασιδιού.
 - Ανυψώστε το πίσω κάλυμμα και αφαιρέστε τη σφήνα δημιουργίας υπολειμμάτων γρασιδιού.
2. Αφαίρεση του καναλιού εκκένωσης για την πλευρική εκκένωση.
 - Ανασηκώστε το πλάγιο πτερύγιο και αφαιρέστε το πλευρικό κανάλι εκκένωσης.
 - Το πλάγιο πτερύγιο κλείνει αυτόματα το άνοιγμα εκκένωσης στο περίβλημα μέσω ενός ελατηρίου.
 - Καθαρίζετε τακτικά το πλάγιο πτερύγιο και το άνοιγμα εκκένωσης από τα υπολείμματα γρασιδιού και την κολλημένη βρομιά.
3. Στερέωση του συλλογέα γρασιδιού.
 - Ανυψώστε το πίσω κάλυμμα και συνδέστε το συλλογέα γρασιδιού στο πίσω μέρος του χλοοκοπτικού.

7. ΟΔΗΓΙΕΣ ΛΕΙΤΟΥΡΓΙΑΣ

7-1 ΠΡΙΝ ΑΠΟ ΤΗΝ ΕΚΚΙΝΗΣΗ

Προσθέστε στον κινητήρα βενζίνη και λάδι σύμφωνα με τις οδηγίες που βρίσκονται στο ξεχωριστό εγχειρίδιο του κινητήρα που παρέχεται με το χλοοκοπτικό σας. Διαβάστε προσεκτικά τις οδηγίες. **(Εικ. 19, Εικ. 20, Εικ. 21)**



ΠΡΟΕΙΔΟΠΟΙΗΣΗ: Η βενζίνη είναι πάρα πολύ εύφλεκτη.

Αποθηκεύστε το καύσιμο σε δοχεία που είναι ειδικά σχεδιασμένα για αυτό το σκοπό.

Ανεφοδιάστε μόνο σε εξωτερικό χώρο, πριν την εκκίνηση του κινητήρα και μην καπνίζετε κατά τη διάρκεια του ανεφοδιασμού ή του χειρισμού του καυσίμου.

Ποτέ να μην αφαιρέσετε την τάπα του ρεζερβουάρ καυσίμου ή να προσθέσετε βενζίνη όταν ο κινητήρας λειτουργεί ή όταν ο κινητήρας είναι ζεστός.

Εάν η βενζίνη χυθεί κάτω μην προσπαθήσετε να ξεκινήσετε τον κινητήρα αλλά μετακινήστε το μηχανήμα μακριά από την περιοχή αυτή και αποφύγετε να δημιουργήσετε την οποιαδήποτε πηγή ανάφλεξης έως ότου εξαλειφθούν οι αιτίες της βενζίνης.

Επαναποθετήστε καλά όλες τις τάπες του ρεζερβουάρ καυσίμου και των δοχείων.

Πριν δώσετε κλίση στο χλοοκοπτικό για την συντήρηση της λάμας ή την αποστράγγιση του λαδιού, αφαιρέστε το καύσιμο από το ρεζερβουάρ.



ΠΡΟΕΙΔΟΠΟΙΗΣΗ: Ποτέ να μην γεμίζετε το ρεζερβουάρ με καύσιμο σε εσωτερικό χώρο, με τον κινητήρα σε λειτουργία ή εάν ο κινητήρας δεν έχει αφαιρεθεί να κρυσώσει για τουλάχιστον 15 λεπτά μετά την λειτουργία του.

7-2 ΓΙΑ ΝΑ ΞΕΚΙΝΗΣΕΤΕ ΤΟΝ ΚΙΝΗΤΗΡΑ ΚΑΙ ΝΑ ΛΕΙΤΟΥΡΓΗΣΕΙ Η ΛΑΜΑ

1. Η συσκευή είναι εφοδιασμένη με μια επένδυση από ελαστικό πάνω στο άκρο του μπουζί, βεβαιωθείτε ότι ο μεταλλικός βρόγχος στο άκρο του καλωδίου του μπουζί (μέσα στην ελαστική επένδυση) είναι στερεωμένος σωστά πάνω στο μεταλλικό άκρο του μπουζί.
2. Κατά την εκκίνηση κρούοι ή ζεστού κινητήρα, στρέψτε το μοχλό του τσοκ σε οποιαδήποτε θέση μεταξύ των θέσεων "☁" και "☁☁". Κατά τη λειτουργία, στρέψτε το μοχλό του τσοκ στη θέση "☁☁". (Εικ. 22)
3. Στέκοντας πίσω από τη συσκευή, πιάστε το χερούλι χειρισμού φρένου και κρατήστε το έναντι του πάνω τμήματος του χερουλιού όπως δείχνεται στην Εικ. 23.
4. Πιάστε το χερούλι εκκίνησης όπως δείχνεται στη Εικ. 23 και τραβήξτε το γρήγορα. Επιστρέψτε το αργά στο μπουλόνι του οδηγού του σχοινού αφότου ξεκινήσει ο κινητήρας.

Αφήστε το χερούλι χειρισμού του φρένου για να σταματήσετε τον κινητήρα και τη λάμα.

Ξεκινήστε τον κινητήρα προσεκτικά σύμφωνα με τις οδηγίες και με τα πόδια σας μακριά από τη λάμα.



Μην δώσετε κλίση στο χλοοκοπτικό κατά την εκκίνηση του κινητήρα. Ξεκινήστε το χλοοκοπτικό σε μια επίπεδη επιφάνεια, εκεί όπου δεν υπάρχει γρασίδι ή άλλα εμπόδια.



Μην πλησιάζετε τα χέρια και τα πόδια σας στα περιστρεφόμενα μέρη. Μην ξεκινάτε τον κινητήρα όταν στέκεστε μπροστά από το στόμιο εκφόρτισης.



7-3 ΔΙΑΔΙΚΑΣΙΕΣ ΛΕΙΤΟΥΡΓΙΑΣ

Κατά τη λειτουργία, κρατήστε το χερούλι ελέγχου του φρένου γερά με τα δυο σας χέρια.



Σημείωση: Κατά τη λειτουργία, όταν ελευθερώσετε το χερούλι ελέγχου του φρένου, θα σταματήσει ο κινητήρας και κατά συνέπεια θα σταματήσει να λειτουργεί το χλοοκοπτικό.



Προειδοποίηση: Προκειμένου να αποφευχθεί τυχόν αθέλητη εκκίνηση του χλοοκοπτικού, αυτό παρέχεται εξοπλισμένο με φρένο κινητήρα, το οποίο πρέπει να τραβήξετε προς τα πίσω για να είναι δυνατή η εκκίνηση του κινητήρα. Όταν αφήνετε το μοχλό ελέγχου του κινητήρα, πρέπει να το επιστρέψετε στην αρχική του θέση και, στο σημείο αυτό, ο κινητήρας σβήνει αυτόματα.



Σημείωση: Φρένο κινητήρα (χερούλι φρένου): Χρησιμοποιήστε το μοχλό για να σταματήσετε τον κινητήρα. Όταν αφήνετε το μοχλό, ο κινητήρας και η λάμα σταματούν αυτόματα. Για κούρεμα, κρατήστε το μοχλό στη θέση εργασίας. Πριν ξεκινήσετε το κούρεμα, ελέγξτε το μοχλό έναρξης/διακοπής αρκετές φορές για να βεβαιωθείτε ότι λειτουργεί σωστά. Βεβαιωθείτε ότι το καλώδιο τάνυσης λειτουργεί ομαλά (δηλ. δεν είναι πιασμένο ή συστραμμένο με οποιονδήποτε τρόπο)

7-4 ΓΙΑ ΝΑ ΣΤΑΜΑΤΗΣΕΤΕ ΤΟΝ ΚΙΝΗΤΗΡΑ



ΠΡΟΣΟΧΗ: Η λάμα συνεχίζει να περιστρέφεται για μερικά δευτερόλεπτα μετά την απενεργοποίηση του κινητήρα.

1. Αφήστε το χερούλι χειρισμού του φρένου για να σταματήσετε τον κινητήρα και τη λάμα. (Εικ. 24)
2. Αποσυνδέστε και γειώστε το καλώδιο του μπουζί σύμφωνα με τις οδηγίες στο ξεχωριστό εγχειρίδιο οδηγίων του κινητήρα για να αποτρέψετε την εκκίνηση της συσκευής όταν την αφήνετε χωρίς επίβλεψη.

7-5 ΣΥΝΔΕΣΗ ΓΙΑ ΤΗΝ ΑΥΤΟΜΑΤΗ ΚΙΝΗΣΗ

Το χλοοκοπτικό διαθέσει ένα σύστημα ρύθμισης της ταχύτητας που μπορεί να ρυθμίσει 3 ταχύτητες από τα 3,0 km/h έως τα 4,5 km/h.

Θέση "☁☁": η πιο αργή θέση. Θέση "☁☁☁": η πιο γρήγορη θέση. (Εικ. 25)

Τα βήματα για τη ρύθμιση αυτή αναφέρονται παρακάτω:

1. Ελευθερώστε το χερούλι χειρισμού αυτόματης κίνησης έως ότου το χλοοκοπτικό να μην μετακινείται προς τα εμπρός.
2. Ρυθμίστε την κατάλληλη ταχύτητα που επιθυμείτε.
3. Πιάστε το χερούλι χειρισμού αυτόματης κίνησης για να αρχίσετε την κοπή του γρασιδιού. (Εικ. 26)



ΠΡΟΣΟΧΗ: Το χλοοκοπτικό σας είναι σχεδιασμένο για την κοπή οικιακού γρασιδιού με ύψος όχι μεγαλύτερο από τα 250 mm.

Μην προσπαθήσετε να κόψετε το γρασίδι που έχει μεγάλο ύψος είτε είναι ξηρό ή υγρό (π.χ. σε βοσκότοπο) ή σωρούς από ξερά φύλλα. Υπάρχει κίνδυνος πυρκαγιάς εάν συσσωρευτούν τα αποκόμματα στην πλατφόρμα του χλοοκοπτικού ή έρθουν σε επαφή με την εξάτμιση του κινητήρα.

7-6 ΓΙΑ ΒΕΛΤΙΣΤΑ ΑΠΟΤΕΛΕΣΜΑΤΑ ΚΑΤΑ ΤΗΝ ΚΟΠΗ ΓΡΑΣΙΔΙΟΥ

Καθαρίστε την πρασιά από τα σκουπίδια. Βεβαιωθείτε ότι στην πρασιά δεν υπάρχουν πέτρες, ξύλα, καλώδια ή άλλα ξένα αντικείμενα τα οποία μπορούν να εκτοξευτούν προς τα έξω από το χλοοκοπτικό προς οποιαδήποτε κατεύθυνση και να προκαλέσουν σοβαρό προσωπικό τραυματισμό στο χειριστή και στα άλλα άτομα καθώς επίσης και την πρόκληση φθοράς στην περιουσία και στα τριγύρω αντικείμενα. Μην κόβετε υγρό γρασίδι. Για την αποτελεσματική κοπή γρασιδιού μην κόβετε το γρασίδι όταν είναι υγρό επειδή έχει την τάση να κολλάει στο κάτω

μέρος της πλατφόρμας του μηχανήματος και με τον τρόπο αυτό αποτρέπεται η κατάλληλη κοπή των κομματιών του γρασιδιού. Να κόβετε όχι περισσότερο από το 1/3 του ύψους του γρασιδιού. Το συνιστάμενο ύψος κοπής γρασιδιού είναι το 1/3 του ύψους του γρασιδιού. Η ταχύτητα του εδάφους πρέπει να προσαρμόζεται ώστε τα κομμάτια να διασπείρονται ομοιόμορφα στην πρασιά. Για μια κοπή με ιδιαίτερο βαρύ φορτίο που απαντάται στο πυκνό γρασίδι, μπορεί να είναι απαραίτητη η χρήση μιας πιο αργής ταχύτητας έτσι ώστε να έχετε μια αποτελεσματική κοπή του γρασιδιού. Όταν πρόκειται για γρασίδι που έχει μεγάλο ύψος ενδεχομένως να απαιτείται η κοπή της πρασιάς σε δυο φάσεις, χαμηλώνοντας τη λάμα για άλλο 1/3 του μήκους για την δεύτερη κοπή και ίσως με διαφορετικό τρόπο από αυτόν που χρησιμοποιήθηκε στην πρώτη φορά. Η μικρή επικάλυψη της κοπής με το κάθε πέρασμα θα βοηθήσει επίσης στην αφαίρεση των οποιονδήποτε ξεχασμένων κομματιών που έμειναν στην πρασιά. Το χλοοκοπτικό θα πρέπει πάντοτε να λειτουργεί στην πλήρη ταχύτητά του για να επιτευχθεί το βέλτιστο αποτέλεσμα και για να μπορεί να εκτελέσει την πιο αποτελεσματική κοπή γρασιδιού. Καθαρίστε το κάτω μέρος της πλατφόρμας κοπής του μηχανήματος μετά από κάθε χρήση για να αποφευχθεί η συσσώρευση γρασιδιού, η οποία μπορεί να αποτρέψει την κατάλληλη κοπή υπολειμμάτων. Κοπή φύλλων. Η κοπή των φύλλων μπορεί επίσης να είναι ευεργετική για την πρασιά σας. Κατά την κοπή των φύλλων, φροντίστε ώστε να είναι ξηρά και να μην είναι πολύ πυκνά πάνω στην πρασιά. Μην περιμένετε να πέσουν όλα τα φύλλα από τα δέντρα για να αρχίσετε την κοπή τους.



ΠΡΟΕΙΔΟΠΟΙΗΣΗ: Αν χτυπήσετε κάποιο ξένο αντικείμενο, σταματήστε τον κινητήρα. Φοιρέστε το καλώδιο από το μπουζί, ελέγξτε καλά το χλοοκοπτικό για την ύπαρξη ζημιάς και επισκευάστε την πριν ξεκινήσετε ξανά την λειτουργία του χλοοκοπτικού. Η υπερβολική δόνηση του χλοοκοπτικού κατά τη λειτουργία αποτελεί ένδειξη ζημιάς. Η συσκευή θα πρέπει να επιθεωρηθεί άμεσα και να επισκευαστεί.

7-7 ΣΥΛΛΟΓΕΑΣ ΓΡΑΣΙΔΙΟΥ

Υπάρχει ένα διαφανές παράθυρο στο πίσω κάλυμμα από το οποίο μπορείτε να δείτε την κατάσταση του γρασιδιού στο συλλογέα γρασιδιού.

Εάν ο συλλογέας γρασιδιού είναι γεμάτος, θα πρέπει να τον αδειάσετε και να τον καθαρίσετε, βεβαιωθείτε ότι είναι καθαρός και εξασφαλίστε ότι το πλέγμα του αερίζεται. (Εικ. 27)

7-8 ΠΛΑΤΦΟΡΜΑ

Το κάτω μέρος της πλατφόρμας του χλοοκοπτικού πρέπει να είναι καθαρό μετά από την κάθε χρήση για την αποτροπή συσσώρευσης κομματιών γρασιδιού, φύλλων, βρωμιάς ή άλλου υλικού. Η συσσώρευση αυτών των σκουπιδιών, θα προκαλέσει σκουριά και διάβρωση καθώς επίσης και πιθανώς να αποτρέψει την κατάλληλη δημιουργία των υπολειμμάτων γρασιδιού. Ο καθαρισμός της πλατφόρμας μπορεί να γίνει δίνοντας μια κλίση στο χλοοκοπτικό και ξύνοντάς το με ένα κατάλληλο εργαλείο (φροντίστε ώστε να είναι αποσυνδεδεμένο το καλώδιο του μπουζι).

7-9 ΟΔΗΓΙΕΣ ΡΥΘΜΙΣΗΣ ΥΨΟΥΣ



ΠΡΟΣΟΧΗ: Μην προσπαθήσετε να κάνετε τις οποιεσδήποτε ρυθμίσεις στο χλοοκοπτικό χωρίς πρώτα να σταματήσετε τον κινητήρα και να αποσυνδέσετε το καλώδιο του μπουζι.



ΠΡΟΣΟΧΗ: Πριν αλλάξετε το ύψος της κοπής γρασιδιού, σταματήστε το χλοοκοπτικό και αποσυνδέστε το καλώδιο του μπουζι.

Το χλοοκοπτικό σας είναι εφοδιασμένο με ένα κεντρικό μοχλό ρύθμισης του ύψους που διαθέτει 8 διαβαθμίσεις του ύψους.

1. Πριν αλλάξετε το ύψος της κοπής του χλοοκοπτικού, σταματήστε το και αποσυνδέστε το καλώδιο του μπουζι.
2. Ο κεντρικός μοχλός ρύθμισης του ύψους που διαθέτει 8 διαφορετικές διαβαθμίσεις του ύψους.

Για να αλλάξετε το ύψος της κοπής, πιέστε το μοχλό ρύθμισης προς τον τροχό και μετακινήστε τον επάνω ή κάτω για να επιλέξετε το ύψος. Όλοι οι τροχοί πρέπει να βρίσκονται στο ίδιο ύψος κοπής. (Εικ. 28)

8. ΟΔΗΓΙΕΣ ΣΥΝΤΗΡΗΣΗΣ

ΜΠΟΥΖΙ

Χρησιμοποιήστε μόνο αυθεντικό ανταλλακτικό μπουζί. Για βέλτιστα αποτελέσματα, αντικαταστήστε το μπουζί κάθε 100 ώρες λειτουργίας.

ΤΑΚΑΚΙΑ ΦΡΕΝΩΝ

Ελέγξτε ή/και αντικαταστήστε τακτικά τα τακάκια φρένων του κινητήρα σε αντιπροσωπο σέρβις. Πρέπει να χρησιμοποιούνται μόνο γνήσια ανταλλακτικά.

9. ΟΔΗΓΙΕΣ ΛΙΠΑΝΣΗΣ



ΠΡΟΣΟΧΗ: ΑΠΟΣΥΝΔΕΣΤΕ ΤΟ ΜΠΟΥΖΙ ΠΡΙΝ ΤΗΝ ΕΝΑΡΞΗ ΤΗΣ ΕΡΓΑΣΙΑΣ ΣΥΝΤΗΡΗΣΗΣ.

1. ΤΡΟΧΟΙ-Λιπάνετε τα ρουλεμάν σε κάθε τροχό τουλάχιστον μια φορά ανά εποχή με λεπτόρρευστο λάδι.
2. ΚΙΝΗΤΗΡΑΣ-Ακολουθήστε τις οδηγίες λίπανσης του εγχειριδίου του κινητήρα.

10. ΚΑΘΑΡΙΣΜΟΣ



ΠΡΟΣΟΧΗ: Μην καθαβρέχετε τον κινητήρα με λάσπιχο. Το νερό μπορεί να προκαλέσει ζημιά στον κινητήρα ή να ρυπάνει το σύστημα του καυσίμου.

1. Σκουπίστε τη πλατφόρμα με ένα στεγνό ύφασμα.
2. Βρέξτε κάτω από τη πλατφόρμα γέροντας το χλοοκοπτικό έτσι ώστε το μπουζί να είναι προς τα πάνω.

10-1 ΦΙΛΤΡΟ ΑΕΡΑ ΚΙΝΗΤΗΡΑ



ΠΡΟΣΟΧΗ: Μην αφήσετε τη βρωμιά ή τη σκόνη να βουλώσει τον αφρό του φίλτρου αέρα. Το φίλτρο αέρα του κινητήρα πρέπει να συντηρείται (καθαρίζεται) μετά από 25 ώρες φυσιολογικής κοπής γρασιδιού. Το στοιχείο του φίλτρου πρέπει να συντηρείται κανονικά εάν το χορτοκοπτικό πρόκειται να χρησιμοποιηθεί υπό συνθήκες σκόνης.

ΓΙΑ ΤΟΝ ΚΑΘΑΡΙΣΜΟ ΤΟΥ ΦΙΛΤΡΟΥ ΑΕΡΑ

1. Ανασήκωσε τη γλωττίδα στο κάλυμμα του φίλτρου. (Εικ. 29)
2. Αφαιρέστε το κάλυμμα του φίλτρου.
3. Πλύνετε το στοιχείο του φίλτρου με σαπουνόνερο.
ΜΗΝ ΧΡΗΣΙΜΟΠΟΙΗΣΕΤΕ ΒΕΝΖΙΝΗ!
4. Στεγνώστε με αέρα το στοιχείο του φίλτρου.
5. Βάλτε οριζμένες σταγονίδια λαδιού SAE30 πάνω στο αφρώδες φίλτρο και πιέστε το ελαφρά για να αφαιρέσετε το τυχόν παραπανίσιο λάδι.
6. Επανατοποθετήστε το φίλτρο.
7. Κλείστε το κάλυμμα φίλτρου.

ΣΗΜΕΙΩΣΗ: Αντικαταστήστε το φίλτρο στην περίπτωση που ξεφτίσει, σχιστεί, καταστραφεί ή που δεν επιδέχεται καθαρισμό.

10-2 ΛΑΜΑ ΚΟΠΗΣ



ΠΡΟΣΟΧΗ: Φροντίστε να αποσυνδέσετε και να γειώσετε το καλώδιο του μπουζί πριν εκτελέσετε κάποια εργασία πάνω στη λάμα κοπής για να αποτρέψετε την τυχαία εκκίνηση του κινητήρα. Προστατεύστε τα χέρια σας χρησιμοποιώντας χοντρά γάντια ή κάποιο πανί για να πιάσετε τις λάμες κοπής. Διώστε κλίση στο χλοοκοπτικό όπως καθορίστηκε στο ξεχωριστό εγχειρίδιο του κινητήρα. Αφαιρέστε το εξάγωνο μπουλόνι και τη φλάντζα που στηρίζουν την λάμα και το προσαρμογέα της λάμας πάνω στον στροφαλοφόρο άξονα του κινητήρα. Αφαιρέστε τη λάμα και το προσαρμογέα από το στροφαλοφόρο άξονα.



ΠΡΟΕΙΔΟΠΟΙΗΣΗ: Περιοδικά να ελέγχετε τον προσαρμογέα της λάμας για ρωγμές, ειδικά εάν χτυπήσετε κάποιο ξένο αντικείμενο. Αντικαταστήστε όταν είναι απαραίτητο.

Για καλύτερα αποτελέσματα, η λάμα σας πρέπει να είναι κοφτερή. Η λάμα μπορεί να ακονιστεί ξανά αφαιρώντας την και τροχίζοντας ή λιμάροντας την άκρη κοπής, διατηρώντας όμως όσο το δυνατόν πλησιέστερα την αρχική της κλίση. Είναι εξαιρετικά σημαντικό η κάθε αιχμή κοπής να λαμβάνει ίσο ποσό τροχίσματος για να αποφευχθεί ο σχηματισμός μιας αζυγοστάθμητης λάμας. Η αζυγοστάθμητη λάμα θα προκαλέσει υπερβολικές δονήσεις που τελικά οδηγούν στη βλάβη του κινητήρα και του χλοοκοπτικού. Φροντίστε να ζυγοσταθμίσετε την λάμα προσεκτικά μετά το ακόνισμα. Η λάμα μπορεί να ελεγχθεί για την ζυγοστάθμισή της κοιτάζοντας την ισορροπία της πάνω σε ένα καταβίδι με στρογγυλό άξονα. Αφαιρέστε μέταλλο από τη βاری πλευρά μέχρι να ισορροπήσει ομοιόμορφα. (Εικ. 30) Πριν την επανασυναρμολόγηση της λάμας και του προσαρμογέα της λάμας στη συσκευή, λιπαίνετε τον στροφαλοφόρο άξονα του κινητήρα και την εσωτερική επιφάνεια του προσαρμογέα της λάμας με λεπτόρρευστο

λάδι. Εγκαταστήστε τον προσαρμογέα της λάμας στο στροφαλοφόρο άξονα. Ανατρέξτε στην **Εικ. 30**. Τοποθετήστε τη λάμα με τον αριθμό εξαρτήματος να βλέπει μακριά από τον προσαρμογέα. Ευθυγραμμίστε τη φλάντζα πάνω στη λάμα και εισάγετε το εξάγωνο μπουλόνι. Σφίξτε το εξάγωνο μπουλόνι στη ροπή που αναφέρονται παρακάτω.

10-3 ΡΟΠΗ ΣΤΕΡΕΩΣΗΣ ΛΑΜΑΣ

Κεντρικό μπουλόνι 40 Nm - 50 Nm, για τη διασφάλιση της ασφαλούς λειτουργίας της μονάδας σας. ΟΛΑ τα παξιμάδια και τα μπουλόνια πρέπει να ελέγχονται περιοδικά για το σωστό σφίξιμο.

Μετά από παρατεταμένη χρήση, ιδιαίτερα σε αμμώδεις συνθήκες του εδάφους, η λάμα θα φθαρεί και θα χάσει κάποιο από το αρχικό της σχήμα. Η αποτελεσματικότητα της κοπής θα μειωθεί και η λάμα πρέπει να αντικατασταθεί. Αντικαταστήστε μόνο με μια εγκεκριμένη εργοστασιακή ανταλλακτική λάμα. Δεν ευθύνεται ο κατασκευαστής για πιθανές ζημιές που προκύπτουν από μια αζυγοστάθμητη λάμα.

Όταν αλλάζετε τη λάμα, πρέπει να χρησιμοποιήσετε τον αρχικό τύπο που σημειώνεται πάνω στη λάμα (ΜΑΚΙΤΑ 263001171) (για παραγγελία της λάμας, παρακαλούμε επικοινωνήστε με τον τοπικό αντιπρόσωπο της περιοχής σας ή καλέστε την εταιρεία μας, δείτε το εξώφυλλο).

10-4 ΚΙΝΗΤΗΡΑΣ

Ανατρέξτε στο χωριστό εγχειρίδιο του κινητήρα για οδηγίες συντήρησης του κινητήρα. Διατηρήστε το λάδι του κινητήρα σύμφωνα με τις οδηγίες στο χωριστό εγχειρίδιο του κινητήρα που παρέχεται με τη συσκευή σας. Διαβάστε και ακολουθήστε τις οδηγίες προσεκτικά.

Υπό κανονικές συνθήκες συντηρήστε το φίλτρο αέρα σύμφωνα με το ξεχωριστό εγχειρίδιο του κινητήρα. Καθαρίστε κάθε λίγες ώρες υπό συνθήκες υψηλής σκόνης. Η κακή απόδοση του κινητήρα και το μπουκωμα του κινητήρα συνήθως υποδηλώνει ότι το φίλτρο αέρα πρέπει να καθαριστεί.

Για το καθαρίσμο του φίλτρου αέρα, ανατρέξτε στο ξεχωριστό εγχειρίδιο του κινητήρα που παρέχετε με την συσκευή σας.

Το μπουζί πρέπει να καθαρίζεται και να επαναφέρεται το κενό μία φορά την εποχή. Συστήνεται η αντικατάσταση του μπουζί κατά την έναρξη της κάθε περιόδου κοπής γρασιδιού, ελέγξτε το εγχειρίδιο του κινητήρα για το σωστό τύπο μπουζί και τις προδιαγραφές του κενού. Καθαρίστε τον κινητήρα τακτικά με ένα πανί ή βούρτσα. Κρατήστε το σύστημα ψύξης (χώρος στέγασης ανεμιστήρα) καθαρό για να επιτρέπει η σωστή κυκλοφορία του αέρα που είναι απαραίτητη για την καλή απόδοση του κινητήρα και τη μεγάλη διάρκεια ζωής του. Φροντίστε να αφαιρέσετε όλο το γρασίδι, τη βρωμιά και τα καιόμενα σκουπίδια από την περιοχή του σιγατήρα.

11. ΟΔΗΓΙΕΣ ΑΠΟΘΗΚΕΥΣΗΣ (ΕΚΤΟΣ ΕΠΟΧΗΣ)

Τα παρακάτω βήματα θα πρέπει να ληφθούν για την προετοιμασία του χορτοκοπτικού για την αποθήκευσή του.

1. Αδειάστε την δεξαμενή μετά την τελευταία κοπή του γρασιδιού για την εποχή.
 - a) Αδειάστε την δεξαμενή βενζίνης με μια αναρροφητική αντλία.



ΠΡΟΣΟΧΗ: Μην αποστραγγίσετε τη βενζίνη σε κλειστά δωμάτια, κοντά σε γυμνές φλόγες κτλ. Μην καπνίζετε! Οι αναθυμιάσεις της βενζίνης μπορεί να προκαλέσουν έκρηξη ή φωτιά.

- b) Ξεκινήστε τον κινητήρα και αφήστε τον να λειτουργήσει μέχρι να χρησιμοποιήσει όλη την βενζίνη και να σταματήσει.
- c) Αφαιρέστε το μπουζί. Χρησιμοποιήστε ένα λαδωτήρι για να γεμίσετε με περίπου 20 ml λαδιού τον θάλαμο καύσης. Λειτουργήστε τον κινητήρα για να διανεμηθεί ομοιόμορφα το λάδι μέσα στον θάλαμο καύσης. Επανατοποθετήστε το μπουζί.
2. Καθαρίστε και λιπάνετε προσεκτικά το χλοοκοπτικό όπως περιγράφεται παραπάνω στην ενότητα “ΟΔΗΓΙΕΣ ΛΙΠΑΝΣΗΣ”.
3. Γρασαίστε ελαφρώς τον κόπτη για να αποτρέψετε τη διάβρωση.
4. Να φυλάσσετε το χλοοκοπτικό σε ένα στεγνό, καθαρό και προστατευμένο από τον παγετό χώρο, μακριά από την πρόσβαση των μη εξουσιοδοτημένων προσώπων.



ΠΡΟΣΟΧΗ: Ο κινητήρας θα πρέπει να κρυώσει πλήρως πριν την αποθήκευση του χλοοκοπτικού.



ΣΗΜΕΙΩΣΗ:

- Κατά την αποθήκευση κάθε είδους μηχανοκίνητου εξοπλισμού σε μια αποθήκη με ανεπαρκή αερισμό ή σε χώρο αποθήκευσης υλικών.
- Πρέπει να λαμβάνεται μέριμνα για την προστασία του εξοπλισμού από τη σκουριά. Χρησιμοποιώντας ένα λεπτόρρευστο λάδι ή σιλικόνη, επικαλύψτε τη συσκευή, ιδιαίτερα τα καλώδια και όλα τα κινούμενα μέρη.
- Προσέξτε να μην κάμψετε ή τσακίσετε τα καλώδια.
- Αν αποσυνδεθεί το σχοινί της μίζας από το οδηγό σχοινί στο χερούλι, αποσυνδέστε και γειώστε το καλώδιο του μπουζί, πιέστε το χερούλι ελέγχου της λάμας και τραβήξτε το σχοινί εκκίνησης αργά έξω από τον κινητήρα. Βάλτε το σχοινί του εκκινήτηρα μέσα στο μπουλόνι του οδηγού σχοινοῦ στο χερούλι.

Μεταφορά

Διακόψτε τη λειτουργία του κινητήρα και αφήστε τον κινητήρα να ψυχθεί. Στη συνέχεια, αποσυνδέστε το καλώδιο του μπουζί και αδειάστε το ρεζερβουάρ καυσίμου σύμφωνα με τις οδηγίες στο εγχειρίδιο κινητήρα. Φροντίστε ώστε να μην κάμψετε ούτε να προκαλέσετε βλάβη στον κόπτη κατά το στρώξιμο του χλοοκοπτικού πάνω από εμπόδια.

12. ΕΠΙΛΥΣΗ ΠΡΟΒΛΗΜΩΝ

| ΠΡΟΒΛΗΜΑ | ΠΙΘΑΝΗ ΑΙΤΙΑ | ΔΙΟΡΘΩΤΙΚΗ ΚΙΝΗΣΗ |
|---|---|---|
| Ο κινητήρας δεν ξεκινά. | Η βαλβίδα του τσοκ δεν βρίσκεται στην σωστή θέση για τις υπάρχουσες συνθήκες. | Μετακινήστε τη βαλβίδα του τσοκ στη σωστή θέση. |
| | Το ρεζερβουάρ καυσίμου είναι άδειο. | Γεμίστε το ρεζερβουάρ με καύσιμο: ανατρέξτε στο ΕΓΧΕΙΡΙΔΙΟ ΚΙΝΗΤΗΡΑ ΙΔΙΟΚΤΗΤΗ. |
| | Το φίλτρο αέρα είναι βρώμικο. | Καθαρίστε το φίλτρο αέρα: ανατρέξτε στο ΕΓΧΕΙΡΙΔΙΟ ΚΙΝΗΤΗΡΑ ΙΔΙΟΚΤΗΤΗ. |
| | Ξεσφιγμένο μπουζί. | Σφίξτε το μπουζί στα 25-30 Nm. |
| | Χαλαρό καλώδιο μπουζί ή αποσυνδεδεμένο από το μπουζί. | Τοποθετήστε το καλώδιο του μπουζί πάνω στο μπουζί. |
| | Εσφαλμένο διάκενο στο μπουζί. | Ρυθμίστε το διάκενο ανάμεσα στα ηλεκτρόδια μεταξύ 0,7 και 0,8 mm. |
| | Ελαττωματικό μπουζί. | Τοποθετήστε ένα καινούργιο με το σωστό διάκενο: ανατρέξτε στο ΕΓΧΕΙΡΙΔΙΟ ΚΙΝΗΤΗΡΑ ΙΔΙΟΚΤΗΤΗ. |
| | Το καρμπυρατέρ έχει μπουκώσει με καύσιμο. | Αφαιρέστε το φίλτρο αέρα και τραβήξτε το σχοινί της μίζας συνεχώς έως ότου καθαρίσει το καρμπυρατέρ μόνο του και τοποθετήστε ξανά το φίλτρο αέρα. |
| Δυσκολία στην εκκίνηση του κινητήρα και απώλεια ισχύος. | Εσφαλμένο στοιχείο ανάφλεξης. | Επικοινωνήστε με τον αντιπρόσωπο του σέρβις. |
| | Βρωμιά, νερό ή παλιό καύσιμο στο ρεζερβουάρ. | Αποστραγγίστε το καύσιμο και καθαρίστε το ρεζερβουάρ. Γεμίστε το ρεζερβουάρ με καθαρό και καινούργιο καύσιμο. |
| | Έχει βουλώσει η τρύπα εξαερισμού στην τάπα του ρεζερβουάρ καυσίμου. | Καθαρίστε ή αντικαταστήστε την τάπα του ρεζερβουάρ καυσίμου. |
| | Το φίλτρο αέρα είναι βρώμικο. | Καθαρίστε το φίλτρο αέρα. |

| ΠΡΟΒΛΗΜΑ | ΠΙΘΑΝΗ ΑΙΤΙΑ | ΔΙΟΡΘΩΤΙΚΗ ΚΙΝΗΣΗ |
|--|---|---|
| Ο κινητήρας λειτουργεί ακανόνιστα. | Ελαττωματικό μπουζί. | Τοποθετήστε ένα καινούργιο με το σωστό διάκενο: ανατρέξτε στο ΕΓΧΕΙΡΙΔΙΟ ΚΙΝΗΤΗΡΑ ΙΔΙΟΚΤΗΤΗ. |
| | Εσφαλμένο διάκενο στο μπουζί. | Ρυθμίστε το διάκενο ανάμεσα στα ηλεκτρόδια μεταξύ 0,7 και 0,8 mm. |
| | Το φίλτρο αέρα είναι βρώμικο. | Καθαρίστε το φίλτρο αέρα: ανατρέξτε στο ΕΓΧΕΙΡΙΔΙΟ ΚΙΝΗΤΗΡΑ ΙΔΙΟΚΤΗΤΗ. |
| Ανεπαρκές ρελαντί του κινητήρα. | Το φίλτρο αέρα είναι βρώμικο. | Καθαρίστε το φίλτρο αέρα: ανατρέξτε στο ΕΓΧΕΙΡΙΔΙΟ ΚΙΝΗΤΗΡΑ ΙΔΙΟΚΤΗΤΗ. |
| | Μπλοκαρισμένα ανοίγματα αέρα στο κάλυμμα του κινητήρα. | Αφαιρέστε τα σκουπίδια από τα ανοίγματα. |
| | Μπλοκαρισμένα τα ψυκτικά πτερύγια και οι αεραγωγοί κάτω από το περίβλημα του φυσητήρα του κινητήρα. | Αφαιρέστε τα σκουπίδια από τα ψυκτικά πτερύγια και από τους αεραγωγούς. |
| Ο κινητήρας λειτουργεί ελαττωματικά στις υψηλές στροφές. | Το διάκενο μεταξύ των ηλεκτροδίων του μπουζί είναι πολύ μικρό. | Ρυθμίστε το διάκενο ανάμεσα στα ηλεκτρόδια μεταξύ 0,7 και 0,8 mm. |
| Ο κινητήρας υπερθερμαίνεται. | Εμποδίζεται η ροή του ψυκτικού αέρα. | Αφαιρέστε τα οποιαδήποτε σκουπίδια από τις τρύπες στο κάλυμμα, στο περίβλημα του φυσητήρα και στους αεραγωγούς. |
| | Λάθος μπουζί. | Τοποθετήστε γνήσιο μπουζί και πτερύγια ψύξης στον κινητήρα. |
| Το χλοοκοπτικό δονείται αφύσικα. | Ξεσφιγμένο το σύστημα κοπής. | Σφίξτε τη λάμα. |
| | Το σύστημα κοπής είναι αζυγοστάθμητο. | Ζυγοσταθμίστε τη λάμα. |

13. ΠΕΡΙΒΑΛΛΟΝ

Σε περίπτωση που υπάρχει ανάγκη αντικατάστασης του χλοοκοπτικού σας μετά από εκτεταμένη χρήση, μην το απορρίψετε με τα οικιακά απορρίμματα, αλλά απορρίψτε το με τρόπο ασφαλή για το περιβάλλον.

14. ΔΗΛΩΣΗ ΣΥΜΜΟΡΦΩΣΗΣ ΕΚ

Για τις ευρωπαϊκές χώρες μόνο

Η δήλωση συμμόρφωσης ΕΚ περιλαμβάνεται ως Παράρτημα Α σε αυτό το εγχειρίδιο οδηγιών.

Genel görünüm

- | | | |
|------------------------------------|-----------------------|-----------------------------------|
| 1. Fren kontrol kolu | 10. Yan deşarj kanalı | 19. Malç serme aparatı |
| 2. Üst tutma kolu | 11. Yan kapak | 20. Düğme |
| 3. Kendinden tahrikli kontrol kolu | 12. Gövde | 21. Yağ kapağı/yağ kontrol çubuğu |
| 4. Jikle kolu | 13. Buji | 22. Maks: üst sınır |
| 5. Çalıştırma kolu | 14. Yakıt kapağı | 23. Min: alt sınır |
| 6. İp kılavuzu | 15. Yağ kapağı | 24. Tırmak |
| 7. Kilitleme mandalı | 16. Kablo kelepçesi | 25. Filtre kapağı |
| 8. Çim haznesi | 17. Alt tutma kolu | |
| 9. Yükseklik ayar kolu | 18. Hız ayar kolu | |



UYARI:

Kendi güvenliğiniz için lütfen bu yeni makineyi çalıştırmaya başlamadan önce bu kılavuzu okuyun. Verilen talimatların takip edilmemesi ciddi yaralanmalara neden olabilir. Her kullanımdan önce çim biçme makinenizi tanımak için birkaç dakikanızı ayırın. Gereklikçe kullanabilmek için bu kılavuzu güvenli bir yerde saklayın. Makineyi bir başkasına verdiğiniz takdirde bu kullanma talimatlarını ve güvenlik düzenlemelerini de makinenin yanında verin.

Kullanım amacı

Makine sadece tasarlandığı amaca uygun işlerde kullanılmalıdır. Başka amaçlarla kullanımı yanlış kullanım olarak değerlendirilir. Böyle bir kullanımdan kaynaklanan hasar ya da yaralanmalardan üretici değil kullanıcı/operatör sorumlu olacaktır. Benzinli çim biçme makinesi kişisel kullanım için, yani ev ve bahçe ortamlarında kullanım için tasarlanmıştır. Çim biçme makinesinin kişisel amaçlarla kullanılması genel olarak yılda 50 saati aşmayan bir kullanıma karşılık gelir ve bu süre boyunca makine öncelikli olarak kullanım alanı küçük ölçekli, konut çevresindeki çimlerin ve ev/hobi bahçelerinin bakımı için kullanılır. Kamusal tesisler, spor salonları ve tarım/ormancılık alanındaki uygulamalarda kullanım için tasarlanmamıştır. Lütfen makinemizin ticari ya da endüstriyel uygulamalarla kullanım için tasarlanmadığını unutmayın. Makine ticari ya da endüstriyel işler ya da benzer amaçlar için kullanıldığı takdirde garanti geçersiz olacaktır. Üretici tarafından sağlanan kullanım talimatları saklanmalı ve çim biçme makinesinin doğru bir şekilde kullanılması ve bakımının yapılmasını sağlamak için bu talimatlara başvurulmalıdır. Talimatlar; çalıştırma, bakım ve tamir koşulları hakkında değerli bilgiler içerir. **Önemli!** Kullanıcının yüksek yaralanma riski olduğu için; çim biçme makinesi çalı, çit ve yabancı otları budamak, sarmaşık bitkileri kesmek, çatı katlarında ya da balkonlarda yetiştirmen çimleri kesmek, yürüyüş yollarındaki çöp ve artıkları temizlemek (aspire edilmesi) veya ağaç, çit ve dal parçalarının öğütülmesi için kullanılamaz. Çim biçme makinesi, köstebek yuvalarının düzeltilmesi gibi arazi üzerindeki pürüzleri giderme işlemlerinde de kullanılmamalıdır. Güvenlik nedeniyle, çim biçme makinesi başka iş aletleri ya da herhangi bir alet takımı için bir tahrik ünitesi olarak kullanılmamalıdır.

1. ÜRÜN ÜZERİNDEKİ SİMGELER (arka kapak üzerinde)



Kullanım kılavuzunu okuyun.



Başkalarının yaklaşmasına izin vermeyin.



Yaralanmamak için ellerinize ve ayaklarınıza dikkat edin.



Yakıt alev alabilir, bu nedenle ateşten uzak tutun. Makine çalışırken, yakıt doldurmayın.



Dumanı zehirlidir; bu nedenle makineyi bina içerisinde çalıştırmayın.



Çim biçerken, sağlığınıza korumak için koruyucu gözlük ve kulak tıkacı kullanın.



Onarım çalışmaları sırasında, bujiyi çıkartın, ardından onarımı kullanım kılavuzuna uygun şekilde gerçekleştirin.



Dikkat: Motor sıcaktır.

2. GENEL GÜVENLİK KURALLARI



UYARI: Benzinli makineler kullanılırken ciddi yaralanma ve/veya makine hasarları risklerinin en aza indirilmesi için mutlaka aşağıda sıralanan talimatlar da dahil tüm temel güvenlik talimatları dikkate alınmalıdır. Makineyi kullanmaya başlamadan önce tüm talimatları okuyun ve daha sonra başvurmak üzere saklayın.



UYARI: Bu makine, çalışma sırasında bir elektromanyetik alan meydana getirir. Bu alan da bazı koşullarda aktif veya pasif tıbbi implantlara etki edebilmektedir. Ciddi yaralanma ve ölüm riskini azaltmak için, tıbbi implantları olan kişilerin bu makineyi çalıştırmadan önce doktorlarına ve tıbbi implant üreticilerine danışmalarını öneriyoruz.

Eğitim

- Talimatları dikkatli bir şekilde okuyun. Kontrolleri ve makinenin güvenli kullanımı hakkında bilgi sahibi olun. Motoru hızlı bir şekilde nasıl durduracağınızı öğrenin.
- Çim biçme makinesini yalnızca makinenin öngörüldüğü amaçlar, yani çim kesme ve toplama işlemleri için kullanın. Başka amaçlarla kullanılması tehlikeli durumlara ve makinenin arızalanmasına yol açabilir. Yalnızca bunlarla sınırlı olmaması şartıyla, yanlış kullanım örneklerinden bazıları şunlardır:
 - insanların, çocukların veya hayvanların makine üzerinde taşınması,
 - makineyle taşıma yapılması,
 - makinenin yüklerin çekilmesi ve ittirilmesi için kullanılması,
 - makinenin yaprakların veya pisliklerin toplanması için kullanılması,
 - makinenin çit budama veya çim dışındaki bitkilerin kesilmesi için kullanılması,
 - makinenin birden fazla kişi tarafından kullanımı, - biçme için çim dışındaki yüzeylerde kullanılması.
- Çocukların veya bu talimatları bilmeyen kişilerin çim biçme makinesini kullanmasına izin vermeyin. Bazı ülkelerde kullanıcı yaşını sınırlandıran yönetmelikler yürürlükte olabilir.
- Çim biçme makinesini kesinlikle şu durumlarda kullanmayın:
 - yakınızda insanların, özellikle de çocuklar veya evcil hayvanlar varsa,
 - operatör, konsantrasyon kabiliyetini etkileyebilecek bir ilaç veya başka bir madde aldıysa.
- Yaralanmalar veya mal kayıplarıyla sonuçlanan kazalardan veya tehlikelerden tek başına operatörün veya kullanıcının sorumlu olacağına dikkat edin.
- Operatör kullanımı, ayarlama ve makinenin işleyişi konusunda ve yasaklanan kullanımlar hakkında yeterli eğitimi almış olmalıdır.

Hazırlık

- Çim biçerken daima sağlam ayakkabılar ve uzun pantolonlar giyin. Makineyi kesinlikle çıplak ayakla veya ayağınızda terlik veya sandalet varken çalıştırmayın.

- Makinenin kullanılacağı alanı dikkatlice kontrol edin ve makine tarafından fırlatılabilecek taş, oyuncak, dal ya da tel gibi nesnelere kaldırmayın.
- UYARI- Benzin yüksek derecede tutuşabilir bir sıvıdır.
 - Yakıtı bu amaçla özel olarak tasarlanmış konteynerlerde saklayın.
 - Yalnızca açık havada yakıt doldurun ve yakıt doldururken sigara içmeyin.
 - Yakıtı motoru çalıştırmadan önce doldurun. Motor çalışırken veya motor hala sıcakken kesinlikle yakıt deposu kapağını açmayın veya yakıt doldurmayın.
 - Etrafa benzin dökülürse, motoru çalıştırmayın, makineyi benzinin döküldüğü alandan uzak bir yere taşıyın ve benzin buharı dağılına kadar tutuşturucu kaynakları ilgili alandan uzak tutun.
 - Tüm yakıt deposu ve konteyner kapaklarını sağlam şekilde sıkın.
- Anızalı susturucuları değiştirin.
- Her kullanımdan önce mutlaka bıçakların, bıçak civatalarının ve kesici tertibatının aşınmamış ve hasarsız olduğundan emin olmak için gerekli kontrolleri gerçekleştirin. Dengeyi korumak için, aşınmış veya hasar görmüş bıçakları ve civataları değiştirin.
- Tüm bağlantı kilitlerinin ve operatör kontrol düğmelerinin düzgün bir şekilde çalıştığından emin olmak için düzenli aralıklarla makineyi kontrol edin.

Çalıştırma

- Tehlikeli şekilde karbon monoksit buharı birikebileceğinden, makineyi kapalı alanlarda çalıştırmayın.
- Makineyi yorgun olduğunuzda, kendinizi hasta hissettiğinizde veya alkol ya da uyuşturucu etkisi altındayken kullanmayın.
- Uyarı! Yıldırım düşmesi riski varken çim biçme makinesini kullanmayın.
- Gürültü ve vibrasyondan kaynaklanan riskleri asgariye indirmek için çalışma sürelerinin kısıtlanması tavsiye edilir.
- Çim biçme makinesini eğimli arazilerde, yamaç yakınlarında, çukur ya da toprak dolgu alanlarda kullanırken dikkatli olun.
- Çim biçme makinesini yalnızca gün ışığında veya iyi bir aydınlatmayla çalıştırın.
- Mümkünse, makineyi ıslak çimlerde kullanmaktan kaçının.
- Eğimlerde mutlaka yere sağlam ve dengeli basın.
- Makineyi yürüyerek çalıştırın ve kesinlikle koşmayın.
- Tekerlekli makineler ile eğimli arazide çim biçerken, eğime dik şekilde çalışın, kesinlikle aşağı veya yukarı yürüyerek çalışmayın.
- Eğimli arazide çalışma yönünüzü değiştirirken çok dikkatli olun.
- Çim biçme makinesini aşırı derecede dik eğimli arazide kullanmayın.
- Çim biçme makinesinin yönünü değiştirirken veya kendinize doğru çekerken çok dikkatli olun.
- Çim dışındaki alanlardan geçerken çim biçme makinesinin yatırılması gerekiyorsa ve çim biçme makinesinin biçilecek alana veya biçilecek alandan taşınması sırasında bıçağı (bıçakları) durdurun.

- Muhafazaları hasarlı veya emniyet cihazları, örneğin deflektörleri ve/veya çim hazneleri takılı olmayan çim biçme makinelerini kesinlikle çalıştırmayın.
- Dikkat: Çim biçme makinesi, çim yakalayıcı tam olarak takılmadan ya da kendiliğinden kapanan deşarj açıklığı kılavuz olmadan kullanılmamalıdır.
- Motor kontrol ayarlarını değiştirmeyin ve motoru çok yüksek devirde çalıştırmayın.
- Motor hızını kontrol etmek için sabitlenmiş ayarlar üzerinde değişiklik yapmayın, bu ayarlarla uğraşmayın.
- Çim biçme makinesi güvenlik sistemleri ya da özellikleri ile uğraşmamalı ve bu sistemler devre dışı bırakılmamalıdır.
- Motoru çalıştırmadan önce tüm bıçakları ve tahrik kavramalarını çıkartın.
- Motoru, ayaklarınızın biçaktan (bıçaklardan) uygun uzaklıktayken talimatlara uygun ve dikkatli bir şekilde çalıştırın.
- Motoru çalıştırırken çim biçme makinesini yatırmayın.
- Deşarj oluşunun önünde duruyorken, motoru çalıştırmayın.
- Ellerinizi ve ayaklarınızı hareketli parçalardan uzak tutun. Deşarj açıklığını her zaman temiz tutun.
- Motor çalışırken, çim biçme makinesini kesinlikle kaldırmayın veya taşımayın.
- Motoru durdurun, buji telinin bağlantısını kesin ve tüm hareketli parçaların tamamen durduğundan emin olun ve varsa, takılı olan anahtarları çıkartın.
 - tıkanıklıkları veya oluktaki birikmeyi temizlemeye başlamadan önce,
 - çim biçme makinesini kontrol etmeye, temizlemeye veya üzerinde herhangi bir işlem yapmaya başlamadan önce,
 - yabancı bir nesneye çarpıldığında. Aşağıdaki durumlarda çim biçme makinesinde hasar olup olmadığını kontrol edin ve makineyi yeniden başlatmadan önce çalıştırmadan önce gerekli onarımları yaptırın:
 - çim biçme makinesi anormal derecede titreşimli çalışıyorsa (derhal kontrol edin).
- Motoru durdurun, buji telinin bağlantısını kesin ve tüm hareketli parçaların tamamen durduğundan emin olun ve varsa, takılı olan anahtarları çıkartın.
 - çim biçme makinesinin yanından ayrılacağınızda,
 - yakıt doldurmadan önce.
- Motor durdurulurken jikle ayarını düşürün ve motorda bir kesme vanası varsa çim biçme işleminden önce yakıtı kesin.
- Çim biçme makinesini yalnızca makinenin öngörüldüğü amaçlar, yani çim kesme ve toplama işlemleri için kullanın. Başka amaçlarla kullanılması tehlikeli durumlara ve makinenin arızalanmasına yol açabilir.

Bakım ve saklama

- Makineyi sürekli olarak güvenli ve çalışır durumda tutmak için tüm somunların, civataların ve vidaların sağlam şekilde sıkıldığından emin olun.
- Makineyi kesinlikle yakıt deposu doluyken bir bina içerisinde saklamayın, aksi takdirde yakıt buharı açık bir alevle temas ederek yangına neden olabilir.
- Kapalı bir yere koymadan önce motorun soğumasını bekleyin; saklamak için kaldırmadan önce çim biçme makinesini temizleyin ve bakımını yapın.

- Yangın tehlikesini düşürmek için, motordaki, susturucudaki, akü bölümündeki ve benzin deposu alanındaki çimleri, yaprakları veya aşırı gresi temizleyin.
- Çim haznesinde aşınma veya hasar olup olmadığını sık sık kontrol edin.
- Güvenlik nedeniyle aşınmış veya hasarlı parçaları değiştirin.
- Yakıt deposunun boşaltılması gerekiyorsa, bu işlemin dışarıda yapılması gerekir.
- Hatalı bakım, uyumsuz yedek parça kullanımı ya da güvenlik bileşenlerinin çıkarılması ya da değiştirilmesi çim biçme makinesine zarar verebilir ve operatörleri ciddi şekilde yaralayabilir.
- Sadece üretici tarafından tavsiye edilen bıçakları ve yedek parçaları kullanın. Orijinal olmayan parçaların kullanımı makineye zarar verebilir ve operatörlerin yaralanmasına neden olabilir. Çim biçme makinesini iyi çalışır durumda saklayın.
- Bıçak durdurma cihazı çalışmazsa lütfen yardım için servis merkezi ile iletişim kurun.

Taşıma ve kullanım

- Makineyi kullanırken, kaldırmak, taşırken veya yana yatırırken mutlaka:
 - güçlü çalışma eldiveni takın,
 - makineyi güvenli tutuş sağlayan noktalarından tutun ve ağırlığı ve dağılımını dikkate alın,
 - makinenin ağırlığına ve makinenin yerleştirileceği veya kaldırılacağı aracın veya alanın karakteristiklerine uygun şekilde yeterli sayıda kişiyle çalışın.
- Taşıma sırasında makineyi sağlam şekilde halatlar veya zincirlerle sabitleyin.



UYARI: Hareketli bıçaklara dokunmayın.



UYARI: Yakıt doldurma işlemini iyi havalandırılan bir alanda ve motoru durdurduktan sonra gerçekleştirin.

3. PARÇALARIN TANIMI (Şekil 1)

Şunlar dahildir

A: Buji anahtarı

4. TEKNİK BİLGİLER

| Model | PLM5600N2 |
|-------------------------|-------------------------------|
| Motor tipi | B&S 675EXi Serisi, ReadyStart |
| Otomatik tahrikli | Evet |
| Motor hacmi | 163 cm ³ |
| Nominal Güç | 2,6 kW |
| Bıçak genişliği | 560 mm |
| Anma devri | 2.800/dak |
| Yakıt deposu kapasitesi | 1,0 L |
| Yağ deposu kapasitesi | 0,47 L |
| Çim haznesi kapasitesi | 70 L |
| Net ağırlık | 37,2 kg |
| Yükseklik ayarı | 25-70 mm, 8 kademeli |

| Model | PLM5600N2 |
|--|---|
| Operatör konumunda Garanti Edilen Ses Basıncı seviyesi (EN ISO 5395-1 Ek F ve EN ISO5395-2, EN ISO 4871 uyarınca) | 88,5 dB (A) (K=3 dB (A)) |
| Ölçülen Ses Gücü seviyesi Garanti Edilen Ses Gücü seviyesi (2000/14/AT uyarınca) | 96,3 dB (A) K=1,86 dB (A) 98 dB (A) |
| Titreşim (EN ISO 5395-1 Ek G ve EN ISO 5395-2 uyarınca) | 7,90 m/s ² K=1,5 m/s ² |

5. MONTAJ

5-1 KATLANIR KOLUN TAKILMASI

1. Alt tutma kolunu civata, pul ve kilitleme mandalı ile tutma kolu kelepçesine sabitleyin. (**Şekil 2, Şekil 3**)
2. Üst tutma kolunu ve alt tutma kolunu Kilitleme mandalı ile bağlayın. (**Şekil 4, Şekil 5**)
3. Kabloyu alt tutma kolu borusunun ortasındaki delik etrafına dolayın. Kablo kelepçesi ile sabitleyin ve kabloun, tutma kolunun dışına sabitlendiğinden emin olun. (**Şekil 6**) Aksi takdirde, kablo, arka kapak açılırken/kapatılırken sıkışabilir.

5-2 KOL İÇİN UYGUN YÜKSEKLİK AYARI

- 1) Alt tutma kolunu sabitleyen kilitleme mandalını açın.
- 2) Alt tutma kolunu yukarı ve aşağı hareket ettirerek, uygun yüksekliğe ayarlayın. Bu çim biçme makinesinde seçilebilecek 3 farklı ayar yüksekliği mevcuttur; 1. yükseklik konumunda alt tutma kolu ile zemin arasındaki mesafe maksimumdur, 3. yükseklik konumunda ise alt tutma kolu ile zemin arasındaki mesafe minimumdur. (**Şekil 7**)
- 3) Alt tutma kolunu uygun yüksekliğe ayarladıktan sonra, kilitleme mandalıyla sabitleyin. (**Şekil 8**)

5-3 ÇİM HAZNESİNİN TAKILMASI VE ÇIKARTILMASI

1. Hazneyi takmak için: Arka kapağı kaldırın ve çim haznesini makinenin arkasına takın. (**Şekil 9, Şekil 10**)
2. Hazneyi çıkartmak için: Arka kapağı kaldırın ve çim haznesini çıkartın.

5-4 ÇALIŞTIRMA KOLU

Çalıştırma kolunu motordan ip kılavuzuna doğru çekin. (**Şekil 11**)

5-5 KESME YÜKSEKLİĞİ

Kolu, yukarı doğru çekerek dişli parçadan ayırın. Yüksekliği ayarlamak için kolu ileriye veya geriye çekin. (**Bkz. Şekil 12 ve Madde 7-9**)

6. ÇALIŞMA

Bu çim biçme makineleri, çeşitli aparatlar takılarak farklı amaçlarla kullanılabilir:

Arkadan toplamalı çim biçme makinesi:

1. Malç serme makinesi veya
2. Yandan boşaltmalı çim biçme makinesi olarak kullanılabilir.

Malç serme işlemi nedir?

Malç serme işlemi yapılırken, bir çalışma aşamasında çim kesilir ve daha sonra ince parçalandıktan sonra doğal gübre olarak tekrar serilir.

Malç serme işlemi ile ilgili ipuçları:

- 6 cm ila 4 cm çim yüksekliğinde düzenli olarak maksimum 2 cm kesim yapın.
- Keskin bir kesme bıçağı kullanın.
- Yaş çimde kesim yapmayın.
- Maks. motor devrini ayarlayın.
- Yalnızca yürüme hızında kesim yapın.
- Malç serme aparatını, muhafazanın iç kısmını ve çim biçme bıçağını düzenli olarak temizleyin.

Çalışmaya Başlama

6-1 Malç serme makinesine dönüştürme



UYARI: Bu işlemleri yalnızca motor ve kesici durduktan sonra gerçekleştirin.

1. Arka kapağı kaldırın ve çim haznesini çıkartın.
2. Malç serme aparatını gövdeye yerleştirin. Malç serme aparatını gövde üzerindeki delikte bulunan düğmeye basarak kilitleyin. (**Şekil 13, Şekil 14**)
3. Arka kapağı geri yerine takın. (**Şekil 15**)
4. Yan kapağı kaldırın ve yandeşarj kanalını sökün.

6-2 Yandan boşaltmalı çim biçme makinesi için sıfırlama



Bu işlemleri yalnızca motor ve kesici durduktan sonra gerçekleştirin!

1. Arka kapağı kaldırın ve çim haznesini çıkartın.
2. Malç serme aparatını gövdeye yerleştirin. Malç serme aparatını gövde üzerindeki delikte bulunan düğmeye basarak kilitleyin.
3. Yandan boşaltma için yan kapağı kaldırın. (**Şekil 16**)
4. Yandan boşaltma için yandeşarj kolunu yan kapak üzerindeki destek pimine yerleştirin. (**Şekil 17**)
5. Yan kapağı, yandeşarj kanalı üzerine indirin. (**Şekil 18**)

6-3 Çim haznesiyle çim biçme



UYARI: Bu işlemleri yalnızca motor ve kesici durduktan sonra gerçekleştirin.

Çim haznesiyle çim biçmek için, malç serme aparatını ve yandan boşaltma için yandeşarj kanalını sökün ve çim haznesini takın.

1. Malç serme aparatının sökülmesi.
 - Arka kapağı çıkartın ve malç serme aparatını sökün.
2. Yandan boşaltma için boşaltma oluğunun sökülmesi.
 - Yan kanadı kaldırın ve yandan boşaltma oluğunu sökün.
 - Yan kanat, yay gücü vasıtasıyla gövde üzerindeki boşaltma deliğini otomatik olarak kapatır.
 - Yan kanat ve boşaltma deliğini çim artıkları ve biriken pisliklerden düzenli olarak temizleyin.
3. Çim haznesinin takılması.
 - Arka kapağı kaldırın ve çim haznesini makinenin arkasına takın.

7. ÇALIŞTIRMA TALİMATLARI

7-1 BAŞLAMADAN ÖNCE

Çim biçme makinenize takılı olan motorun ayrı verilen kılavuzundaki talimatları takip ederek motora benzin ve yağ koyun. Talimatları dikkatlice okuyun. (Şekil 19, Şekil 20, Şekil 21)



UYARI: Benzin yüksek derecede tutuşabilir bir sıvıdır. Yakıtı bu amaçla özel olarak tasarlanmış konteynerlerde saklayın.

Yalnızca açık havada ve motoru başlatmadan önce yakıtı doldurun ve yakıt doldururken sigara içmeyin.

Motor çalışırken veya motor hala sıcaktan kesinlikle yakıt deposu kapağını açmayın veya yakıtı doldurmayın. Etrafa benzin dökülürse, motoru çalıştırmayın, makineyi benzinin buharlandığı alandan uzak bir yere taşıyın ve benzin buharı dağılına kadar tutuşturucu kaynakları ilgili alandan uzak tutun.

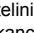
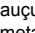

Tüm yakıt deposu ve konteyner kapaklarını sağlam şekilde sıkın.

Bıçakta bakım yapmak veya yağı boşaltmak için çim biçme makinesini yatırmadan önce, depodaki benzini boşaltın.



UYARI: Yakıt deposunu kesinlikle bina içinde, makine çalışırken doldurmayın ve motor durduktan sonra en az 15 dakika motorun soğumasını bekleyin.

7-2 MOTORUN ÇALIŞTIRILMASI VE BİÇAĞIN TAKILMASI

1. Ünitede bujinin ucunda bir kauçuk kapak bulunur, buji telinin ucundaki (kauçuk kapağın içindeki) metal kancanın bujideki metal uca sağlam şekilde takıldığını emin olun.
2. Soğuk veya sıcak bir motoru çalıştırırken jikle kolunu “” konumu ile “” konumu arasında bir yere getirin. Çalıştırırken jikle kolunu “” konumuna getirin. (Şekil 22)
3. Makinenin arkasına geçtikten sonra, fren kontrol kolunu tutun ve Şekil 23’de gösterildiği gibi üst tutma koluna doğru çekin.
4. Çalıştırma kolunu Şekil 23’de gösterildiği gibi tutun ve hızlı bir şekilde yukarıya doğru çekin. Motor çalıştıktan sonra yavaş bir şekilde ip kılavuzu civatasına geri bırakın.

Motoru ve bıçağı durdurmak için fren kontrol kolunu bırakın.



Motoru ayaklarınızın bıçaktan uygun uzaklıktayken talimatlara uygun ve dikkatli bir şekilde çalıştırın.



Motoru çalıştırırken çim biçme makinesini yatırmayın. Çim biçme makinesini düz ve üzerinde çim veya başka bir engel bulunmayan bir zemin üzerinde çalıştırın.



Ellerinizi ve ayaklarınızı hareketli parçalardan uzak tutun. Deşarj açıklığının önünde duruyorken, motoru çalıştırmayın.

7-3 ÇALIŞTIRMA PROSEDÜRLERİ

Çalıştırma sırasında, fren kontrol kolunu her iki elinizle sıkıca tutun.



Not: Çalıştırma sırasında, fren kontrol kolu bırakıldığında, motor duracak ve bu nedenle çim biçme işlemi de kesilecektir.



Uyarı: Çim biçme makinesinin istenmeden başlatılmasını önlemek için motor çalıştırılmadan önce geri çekilmesi gereken bir motor freni bulunur. Motor kontrol kolu serbest bırakıldığında, fren başlangıçtaki konumuna döner ve motor otomatik olarak kapanır.



Not: Motor freni (fren kolu): Motoru durdurmak için kolu kullanın. Kolu bıraktığınızda motor ve bıçak otomatik olarak durur. Biçmek için, kolu çalışma konumunda tutun. Biçmeye başlamadan önce, başlatma/durdurma kolunun düzgün çalıştığından emin olmak için kolu birkaç kez kontrol edin. Güç kablosunda sorun olmadıysa (bir yere takılmadığından ve dolaşmadığından) emin olun.

7-4 MOTORU DURDURMAK İÇİN





DİKKAT: Motor durdurulduktan sonra bıçak birkaç saniye daha dönmeye devam eder.

1. Motoru ve bıçağı durdurmak için fren kontrol kolunu bırakın. (Şekil 24)
2. Başında değilken, makinenin istemsiz şekilde çalışmasını önlemek için, ayrı verilen motor kılavuzunda açıklanan talimatlara göre buji telinin bağlantısını kesin ve topraklayın.

7-5 OTOMATİK HAREKET BAĞLANTISI

Çim biçme makinesinde, 3,0 km/sa ila 4,5 km/sa arasında 3 kademede ayarlanabilen bir devir ayar sistemi mevcuttur.

“” konumu: en düşük devirli konum; “” konumu: en yüksek devirli konum. (Şekil 25)

Çalıştırma adımları şu şekildedir:

1. Çim biçme makinesi ileri hareketini durdurana kadar kendinden tahrikli kontrol kolunu bırakın.
2. İstediğiniz devir kademesini ayarlayın.
3. Çim biçme işlemine devam etmek için kendinden tahrikli kontrol kolunu geri çekin. (Şekil 26)



DİKKAT: Çim biçme makineniz, 250 mm’yi geçmeyen yüksekliklerdeki normal bahçe çimlerinin kesilmesi için tasarlanmıştır.

Normalden uzun, kuru veya yaş çimleri (örn. otlak) veya kuru yaprak yığınlarını biçmeye çalışmayın. Çim biçme makinesinin gövdesinde pislik birikebilir ve potansiyel bir yangın tehlikesi oluşturacak şekilde motor egzozuna temas edebilir.

7-6 ÇİM BİÇME İŞLEMİ SIRASINDA EN İYİ SONUÇ İÇİN

Biçilecek alandaki yabancı maddeleri temizleyin. Biçilecek alanda çim biçme makinesi tarafından fırlatılabilecek ve operatörün veya diğer kişilerin ciddi şekilde yaralanmasına ve makinenin ve çevredeki eşyaların hasar görmesine neden olabilecek taş, ağaç dalları, tel vs. gibi yabancı maddeler bulunmadığından emin olun. Yaş çimde kesim yapmayın. Çim biçme işleminin etkin şekilde uygulanması için yaş çimde kesim yapmayın, aksi takdirde yaş çim, gövdenin alt tarafına yapışarak, biçilen çimlerin uygun şekilde serilmesini engelleyebilir. Çimin uzunluğunun 1/3'ünden fazlasını kesmeyin. Çim biçme işlemi için önerilen kesim miktarı, çim uzunluğunun 1/3'üdür. Makinenin hareket hızı, kırılan çimler alana eşit şekilde dağıtılabilecek şekilde ayarlanmalıdır. Özellikle, yoğun çimde yapılan kesim işlemlerinde, çim biçme işleminin düzgün yapılabilmesi için en düşük devirlerden birinin kullanılması gerekebilir. Uzun çimde biçme işlemi gerçekleştirilirken, alanı iki geçişte biçebilir, ikinci kesimde bıçak uzunluğunu 1/3'ü kadar alçaltılabilir ve alanı ilk kesimden farklı bir modelde biçebilirsiniz. Kesim yapılan bir önceki şeridin bir miktar üzerinden geçilmesi de yanlış serilmiş çimlerin temizlenmesine yardımcı olacaktır. Çim biçme makinesi, en iyi sonucu elde edilmesi ve çim biçme işleminin en etkin şekilde yapılması için tam açıklıkta çalıştırılmalıdır. Gövdenin alt kısmını temizleyin. Çimlerin birikmesini ve malç serme işleminin uygun şekilde yapılmasını engellemesini önlemek için, her kullanımdan sonra kesme gövdesinin alt kısmının temizlendiğinden emin olun. Yaprakların biçilmesi. Yaprakların biçilmesi ve çimlerin için yararlı olabilir. Yaprakları biçerken, yaprakların kuru olmasına ve toprakta çok kalın bir tabaka halinde bulunmamasına dikkat edin. Çim biçme işlemine başlamadan önce, ağaçlardaki tüm yaprakların dökülmesini beklemeyin.

UYARI: Yabancı bir maddeye çarptığınızda, motoru durdurun. Buji telini çıkartın, çim biçme makinesinde herhangi bir hasar olup olmadığını dikkatlice kontrol edin ve makineyi yeniden çalıştırmadan önce tespit edilen hasarları onarın. Çalışma sırasında makinenin aşırı titreşimli çalışması hasar olduğunun bir göstergesidir. Bu durumda, makine derhal kontrol edilmeli ve onarılmalıdır.

7-7 ÇİM HAZNESİ

Arka kapak üzerinde, çim haznesindeki çim durumunu görebileceğiniz şeffaf bir cam bulunur. Çim haznesi dolu ise, çim haznesini boşaltmanız ve temizlemeniz ve ardından delikli kısmının havalandırıldığından emin olmanız gerekir. (Şekil 27)

7-8 GÖVDE

Kırılan çimlerin, yaprakların, pisliklerin ve diğer yabancı maddelerin birikmesinin önlenmesi için, çim biçme makinesinin gövdesinin alt tarafı her kullanımdan sonra temizlenmelidir. Yabancı maddelerin bu şekilde birikmesine izin verilirse, paslanma ve korozyon oluşabilir ve malç serme işlemi doğru şekilde uygulanamayabilir. Gövde, çim biçme makinesi eğilerek ve uygun bir aletle fırçalanarak temizlenebilir (buji telinin bağlantısının kesildiğinden emin olun).

7-9 YÜKSEKLİK AYAR TALİMATLARI



DIKKAT: Motoru durdurmadan ve buji telinin bağlantısını kesmeden kesinlikle çim biçme makinesinde herhangi bir ayar yapmayın.



DIKKAT: Çim biçme yüksekliğini değiştirmeden önce, çim biçme makinesini durdurun ve buji telinin bağlantısını kesin.

Çim biçme makinesinde 8 farklı yükseklik kademesine sahip olan bir merkezi yükseklik ayar kolu mevcuttur.

1. Çim biçme yüksekliğini değiştirmeden önce çim biçme makinesini durdurun ve buji telinin bağlantısını kesin.
2. Merkezi yükseklik ayar kolu 8 farklı yükseklik kademesinin ayarlanmasına izin verir.

Kesim yüksekliğini değiştirmek için, ayar kolunu tekere doğru sıkıştırın ve istediğiniz yüksekliği ayarlamak için yukarı veya aşağı doğru hareket ettirin. Tüm tekerlekler aynı kesim yüksekliğinde olacaktır. (Şekil 28)

8. BAKIM TALİMATLARI

BUJİ

Mevcut bujiyi yalnızca orijinal yedek parçalarla değiştirin. En iyi sonucu elde etmek için, bujiyi her 100 saatlik kullanımda bir değiştirin.

FREN PEDLERİ

Motor fren pedlerini servis temsilcisinden düzenli olarak kontrol ettirin ve/veya yenisiyle değiştirin, yedek parça olarak sadece orijinal parçaları kullanın.

9. YAĞLAMA TALİMATLARI



DIKKAT: SERVİS İŞLEMİNDEN ÖNCE BUJİYİ ÇIKARTIN.

1. TEKERLEKLER-Her mevsimde en az bir kere tekerleklerdeki bilyalı yatakları ince bir yağla yağlayın.
2. MOTOR-Motor kılavuzunda verilen yağlama talimatlarını takip edin.

10. TEMİZLEME



DIKKAT: Motora doğrudan su tutmayın. Su, motora zarar verebilir veya yakıt sistemini kirlitebilir.

1. Gövdeyi kuru bir bezle silin.
2. Buji üstte kalacak şekilde çim biçme makinesini eğdikten sonra gövdenin altına su tutun.

10-1 MOTOR HAVA TEMİZLEYİCİ



DIKKAT: Kir ve tozun hava filtresinin köpük elemanını tıkamasına izin vermeyin. Motor hava temizleyici bileşeni mutlaka her 25 saatlik normal çalıştırmadan sonra servise alınmalıdır (temizlenmelidir).

Çim biçme makinesi kuru ve tozlu koşullarda kullanılıyorsa, köpük eleman düzenli olarak servise alınmalıdır.

HAVA FİLTRESİNİ TEMİZLEMEK için

1. Filtre kapağı üzerindeki tırnağı kaldırın. (Şekil 29)
2. Filtre kapağını çıkartın.
3. Filtre elemanını sabunlu suyla yıkayın. **BENZİN KULLANMAYIN!**
4. Filtre elemanını havayla kurutun.
5. Köpük filtreye birkaç damla SAE30 yağ uygulayın ve fazla yağın atılması için filtreyi hafifçe sıkın.
6. Filtreyi geri takın.
7. Filtre kapağını kapatın.

NOT: Yıpranmış, aşınmış, hasar görmüşse veya temizlenemiyorsa filtreyi değiştirin.

10-2 KESME BİÇAĞI



DİKKAT: Motorun istem dışı çalışmasını önlemek için, kesme bıçağı üzerinde herhangi bir çalışma yapmadan önce buji telinin bağlantısının kesildiğinden ve topraklandığından emin olun. Kesme bıçaklarını ağır hizmet tipi eldivenler veya kalın bir bezle tutarak, ellerinizi koruyun. Çim biçme makinesini, ayrı verilen kılavuzda açıklandığı şekilde yatırın. Bıçağı ve bıçak adaptörünü motorun krank miline sabitleyen altı köşeli civatayı ve pulu sökün. Bıçağı ve adaptörü krank milinden çıkartın.



UYARI: Bıçak adaptöründe çatlak olup olmadığını düzenli olarak, özellikle de yabancı bir nesneye çarptıktan sonra kontrol edin. Gerekirse, değiştirin.

En iyi sonucun elde edilmesi için bıçak daima keskin olmalıdır. Bıçak, çıkartılabilir ve orijinal eğime mümkün olduğunca sadık kalınarak kesici kenarı taşlanarak veya bilenecek keskinleştirilebilir. Bıçak dengesinin bozulmaması için, her bir kesici kenarın eşit miktarda taşlanması veya bileneceği oldukça önemlidir. Bıçağın dengesiz olması, aşırı titreşime ve neticesinde motorun ve çim biçme makinesinin bozulmasına veya hasar görmesine neden olabilir. Bileme işleminden sonra bıçağın dikkatli şekilde dengelendiğinden emin olun. Yuvarlak bir tornavidaya takılarak bıçağın dengede olup olmadığı kontrol edilebilir. Uygun şekilde dengelenene kadar ağır taraftaki metali bileyin. (Şekil 30) Bıçağı ve bıçak adaptörünü makineye geri takmadan önce, motorun krank milini ve bıçak adaptörünün iç yüzeyini ince bir yağla yağlayın. Bıçak adaptörünü krank miline takın. Bkz. Şekil 30. Bıçağı, parça numarası adaptörden uzağa bakacak şekilde yerleştirin. Pulu, bıçakla hizalayın ve altı köşeli civatayı takın. Altı köşeli civatayı aşağıda verilen tork değerine kadar sıkın.

10-3 BİÇAK MONTAJ TORKU

Makinenin güvenli çalışmasını sağlamak için, merkez civata 40 Nm - 50 Nm. TÜM somunların ve civataların doğru sıkılığa olup olmadığının düzenli olarak kontrol edilmesi gerekir. Makine uzun bir süre, özellikle de kumlu toprak koşullarında kullanılması halinde, bıçak aşınır ve orijinal şeklini bir miktar kaybeder. Bu durumda, kesim performansı düşeceğinden, bıçağın değiştirilmesi gerekir.

Bıçağı yalnızca fabrika tarafından onaylanmış bir bıçakla değiştirin. Bıçağın dengesiz olmasından kaynaklanabilecek hasarlardan dolayı üretici sorumlu tutulamayacaktır.

Bıçağı değiştirirken, bıçak üzerinde belirtilen orijinal bıçak tipi (MAKITA 263001171) kullanılmalıdır (bıçak siparişi için, mutlaka dağıtıcınıza danışın veya şirketimizi arayın; kapak sayfasına bakın).

10-4 MOTOR

Motorun bakım talimatları için ayrı verilen motor kılavuzuna bakın.

Motor yağının makinenizle birlikte verilen motor kılavuzunda belirtildiği şekilde doldurun ve yenileyin. Talimatları dikkatli bir şekilde okuyun ve uygulayın. Hava temizleyiciyi ayrı verilen motor kılavuzuna uygun olarak normal koşullarda servise alın.

Çok tozlu koşullarda hava temizleyiciyi her birkaç saatte bir temizleyin. Motor performansının düşük olması ve motorun tıkanması genellikle hava temizleyicinin servise alınması gerektiğini gösterir.

Hava temizleyiciyi servise almak için, makinenizle birlikte verilen ayrı motor kılavuzuna bakın.

Her mevsimde buji temizlenmeli ve boşluk sıfırlanmalıdır. Her çim biçme sezonundan önce bujinin değiştirilmesi önerilir. Doğru buji tipi ve boşluk değerleri için motor kılavuzuna bakın.

Motoru bir bez parçası veya fırçayla düzenli olarak temizleyin. Motor performansı ve ömrü için oldukça önemli olan, uygun hava devridaimini sağlamak için soğutma sistemini (üfleyici muhafaza alanın) daima temiz tutun. Sustrurucu alanındaki tüm çimin, kirlerin ve tutuşabilir pisliklerin temizlendiğinden emin olun.

11. DEPOLAMA TALİMATLARI (SEZON DIŞI)

Çim biçme makinesinin depoya kaldırılması için aşağıdaki hazırlık adımlarının takip edilmesi gerekir.

1. Sezonun son çim biçme işlemini tamamladıktan sonra depoyu boşaltın.
 - a) Benzin deposunu bir emme pompası yardımıyla boşaltın.



DİKKAT: Benzin boşaltma işlemini kapalı odalarda, açık alev yakın yerlerde vs. gerçekleştirilmeyin. Çalışma sırasında sigara içilmesine izin verilmeyin! Benzin buharları patlamaya veya yangına neden olabilir.

- b) Motoru çalıştırın ve kalan tüm benzin tükenene ve motor kendidliğinden durana kadar çalışmasına izin verin.
 - c) Bujiyi çıkartın. Bir yağdanlık kullanarak yanma hücrelerine yaklaşık 20 ml yağ doldurun. Yağı yanma hücrelerinin tamamına eşit şekilde dağıtmak için çalıştırma ipini çekin. Bujiyi değiştirin.
2. Yukarıda "YAĞLAMA TALİMATLARI" bölümünde açıklandığı gibi çim biçme makinesini dikkatli bir şekilde temizleyin ve yağlayın.
 3. Korozyonu önlemek için kesiciyi hafifçe yağlayın.
 4. Çim biçme makinesini kuru, temiz ve donmayacak ve makineyi kullanmaya yetkili olmayan kişilerin erişemeyeceği bir yerde saklayın.



DİKKAT: Çim biçme makinesi depoya kaldırılmadan önce motor mutlaka tamamen soğumalıdır.



NOT:

- Herhangi bir motorlu makine havalandırılmayan bir alanda veya malzeme deposunda muhafaza edilecektir.
- Makinenin paslanmaya karşı korunması gerekir. Makineyi, özellikle de kablolarını ve hareketli tüm parçalarını ince bir yağ veya silikonla yağlayın.
- Kabloların bükülmemesi veya dolaşmamasına dikkat edin.

- Çalıştırma ipinin koldaki ip kılavuzundan çıkması halinde, buji telinin bağlantısını kesin ve topraklayın, bıçak kontrol koluna bastırın ve çalıştırma ipini motordan yavaşça çekin. Çalıştırma ipini koldaki ip kılavuz civatasına geri takın.

Taşıma

Motoru durdurun ve motorun soğumasını bekleyin. Ardından buji kablosunu sökün ve yakıt tankını motorun kılavuzunda yer alan talimatları göre boşaltın. Çim biçme makinesini engeller üzerinden geçirirken kesicinin eğilmeyeceğinden veya hasar görmeyeceğinden emin olun.

12. SORUN GİDERME

| SORUN | OLASI NEDENİ | DÜZELTİCİ İŞLEM |
|--|--|--|
| Motor çalışmıyor. | Mevcut koşullar için jikle kolu doğru konumda değildir. | Jikle kolunu doğru konuma getirin. |
| | Yakıt deposu boştur. | Yakıt deposunu doldurun: bkz. MOTOR KULLANMA KILAVUZU. |
| | Hava temizleyici elemanı kirlidir. | Hava temizleyici elemanını temizleyin: bkz. MOTOR KULLANMA KILAVUZU. |
| | Buji gevşektir. | Bujiyi 25-30 Nm değerine kadar sıkın. |
| | Buji teli gevşektir veya bujiden çıkmıştır. | Buji telini bujiye geri takın. |
| | Buji boşluğu yanlıştr. | Boşluğu elektrotlar arasında 0,7 ila 0,8 mm boşluk olacak şekilde ayarlayın. |
| | Buji hasarlıdır. | Yeni bir buji takın ve buji boşluğunu doğru şekilde ayarlayın: bkz. MOTOR KULLANMA KILAVUZU. |
| | Karbüratör yakıtla dolmuştur. | Hava temizleyici elemanını sökün, çalıştırma ipini karbüratör kendini temizleyinceye kadar art arda çekin ve ardından hava temizleyici elemanını geri takın. |
| Ateşleme modülü arızalıdır. | Servis merkezine danışın. | |
| Motor zor çalışıyor veya güç kaybediyor. | Yakıt deposunda kir, su veya uygun olmayan benzin vardır. | Depoyu boşaltın ve temizleyin. Depoyu temiz ve yeni yakıtla doldurun. |
| | Yakıt deposu kapağındaki havalandırma deliği tıkalıdır. | Yakıt deposu kapağını temizleyin veya değiştirin. |
| | Hava temizleyici elemanı kirlidir. | Hava temizleyici elemanını temizleyin. |
| Motor düzensiz şekilde çalışıyor. | Buji hasarlıdır. | Yeni bir buji takın ve buji boşluğunu doğru şekilde ayarlayın: bkz. MOTOR KULLANMA KILAVUZU. |
| | Buji boşluğu yanlıştr. | Boşluğu elektrotlar arasında 0,7 ila 0,8 mm boşluk olacak şekilde ayarlayın. |
| | Hava temizleyici elemanı kirlidir. | Hava temizleyici elemanını temizleyin: bkz. MOTOR KULLANMA KILAVUZU. |
| Motor rölantide yanlış çalışıyor. | Hava temizleyici elemanı kirlidir. | Hava temizleyici elemanını temizleyin: bkz. MOTOR KULLANMA KILAVUZU. |
| | Motor kapağındaki hava delikleri tıkalıdır. | Deliklerdeki pislikleri temizleyin. |
| | Soğutma kanatları ve motor fanının altındaki hava geçişleri tıkalıdır. | Soğutma kanatlarındaki ve hava geçişlerindeki pisliği temizleyin. |
| Motor yüksek devirde doğru çalışmıyor. | Buji elektrotları arasındaki boşluk çok azdır. | Boşluğu elektrotlar arasında 0,7 ila 0,8 mm boşluk olacak şekilde ayarlayın. |

| SORUN | OLASI NEDENİ | DÜZELTİCİ İŞLEM |
|---|------------------------------------|---|
| Motor aşırı ısınıyor. | Soğutma havası debisi yetersizdir. | Motor kapağındaki, fan muhafazasındaki ve hava geçişlerindeki deliklerdeki pislikleri temizleyin. |
| | Buji hatalıdır. | Motora orijinal buji ve soğutma kanatları takın. |
| Çim biçme makinesi aşırı derecede titreşimli çalışıyor. | Kesme tertibatı gevşektir. | Bıçağı sıkın. |
| | Kesme tertibatı dengesizdir. | Bıçağı dengeleyin. |

13. ÇEVRE

Uzun süre kullanıldıktan sonra makinenin değiştirilmesi gerekirse, makineyi normal ev çöprüyle birlikte atmayın, çevreye zarar vermeyecek bir şekilde bertaraf edin.

14. AT UYGUNLUK BEYANI

Yalnızca Avrupa ülkeleri için

AT uygunluk beyanı, bu kılavuzun Ek A bölümünde belirtilmiştir.

Förklaring till översiktstillbilderna

- | | | |
|--|--------------------------|----------------------------------|
| 1. Bromshandtag | 9. Höjdställningsspak | 18. Spak för hastighetsreglering |
| 2. Handtagets övre del | 10. Sidoutkastkanal | 19. Bioklippningskil |
| 3. Kontrollhandtag för självgående drift | 11. Sidolucka | 20. Knapp |
| 4. Chokereglage | 12. Klippdäck | 21. Oljelock/oljesticka |
| 5. Starthandtag | 13. Tändstift | 22. Max: övre gräns |
| 6. Styrning för startsnöre | 14. Tanklock | 23. Min: nedre gräns |
| 7. Låsrott | 15. Oljelock | 24. Komponent |
| 8. Gräsuppsamlare | 16. Kabelklämma | 25. Filterskydd |
| | 17. Handtagets nedre del | |

**VARNING:**

Var god och läs igenom bruksanvisningen för din egen säkerhet innan du använder din nya maskin. Om du inte följer anvisningarna kan det orsaka allvarlig personskada. Ägna dig en stund åt att lära dig hur gräsklipparen fungerar före varje användning. Förvara bruksanvisningen på en säker plats så att informationen alltid är tillgänglig. Om du lämnar över utrustningen till någon annan person ska du även lämna över dessa användaranvisningar och säkerhetsföreskrifter.

Avsedd användning

Den här utrustningen får endast användas för de uppgifter den är avsedd att hantera. All annan användning betraktas som felaktig hantering. Användaren/operatören och inte tillverkaren ansvarar för alla eventuella skador som kan uppstå på grund av detta.

Den bensindrivna gräsklipparen är avsedd för privat bruk, d.v.s. användning i hem- och trädgårdsmiljöer.

Med privat bruk av gräsklipparen avses en årlig användningstid som normalt inte ska överstiga 50 timmar, då maskinen primärt används för att underhålla småskaliga gräsmattor i bostadsmiljö och hem-/hobbyträdgårdar. Användning för offentliga miljöer, sporthallar och jordbruk/skogsbruk är exkluderat.

Observera att den här utrustningen inte är utformad för kommersiellt bruk eller användning i handels- eller industrimiljöer. Garantin gäller inte om maskinen används för kommersiellt bruk, i handels- eller industrimiljöer eller motsvarande.

Användaranvisningarna som medföljer från tillverkaren måste behållas och konsulteras för att säkerställa att gräsklipparen används och underhålls på rätt sätt. Anvisningarna innehåller värdefull information om användning, underhåll och serviceförhållanden.

Viktigt! På grund av den höga risken för kroppsskada får gräsklipparen inte användas för att trimma buskar, häckar eller annan växtlighet, klippa ned klättrväxter, takplanteringar eller balkongodlat gräs, rengöra (suga upp) smuts och skräp från gångstigar eller för att hugga upp träbitar eller häckklipprester. Dessutom får gräsklipparen inte användas i stället för jordfräs för utjämnning av upphöjningar som mullvadshögar eller liknande.

Av säkerhetsskäl får gräsklipparen inte användas som drivenhet för andra arbetsverktyg eller verktyg av något slag.

1. SYMBOLER MÄRKTA PÅ PRODUKTEN (på den bakre kåpan)

Läs igenom bruksanvisningen.



Håll åskådare borta.



Var mer uppmärksam på dina händer och fötter för att undvika olyckor.



Bränsle är lättantändligt, håll det borta från öppen eld. Tanka inte med motorn igång.



Giftiga avgaser. Kör inte motorn inomhus.



Vid klippning, bär skyddsglasögon och öronproppar för att skydda dig själv.



Vid reparation, var god och ta bort tändstiftet och reparera sedan maskinen enligt bruksanvisningen.



Försiktighet: Het motor.

2. ALLMÄNNA SÄKERHETSANVISNINGAR



VARNING: Vid användning av bensindrivna maskiner ska alltid grundläggande säkerhetsföreskrifter, inklusive följande, efterlevas för att minska risken för allvarig personskada och/eller skada på maskinen. Läs igenom alla dessa anvisningar innan du använder denna produkt och behåll anvisningarna för framtida bruk.



VARNING: Maskinen bildar ett elektromagnetiskt fält omkring sig under användningen. Under vissa förhållanden kan detta fält störa aktiva eller passiva medicinska implantat. För att minska risken för allvarig eller dödlig skada, rekommenderar vi personer med medicinskt implantat att konsultera sin läkare och tillverkaren av det medicinska implantatet innan de använder maskinen.

Utbildning

- Läs noggrant igenom instruktionerna. Vänj dig vid manöverkontrollerna och den korrekta användningen av utrustningen. Lär dig hur du snabbt stoppar motorn.
- Använd gräsklipparen endast för det ändamål den är avsedd för, dvs. att klippa och samla ihop gräs. All annan användning kan vara farlig och orsaka skada på maskinen. Exempel på felaktig användning kan inkludera men är inte begränsat till:
 - transport av personer, barn eller djur på maskinen;
 - transportera sig själv med maskinen;
 - använda maskinen till att dra eller skjuta på laster;
 - använda maskinen till uppsamling av löv eller skräp;
 - använda maskinen till att beskära häckar eller för att kapa annan vegetation än gräs;
 - låta flera personer manövrera maskinen samtidigt;
 - använda kniven på andra ytor än gräs.
- Låt aldrig gräsklipparen användas av barn eller av personer som inte känner till dessa instruktioner. Lokala bestämmelser kan ange en åldersgräns för användaren.
- Använd aldrig gräsklipparen:
 - när personer, särskilt barn, eller djur finns i närheten;
 - om användaren har tagit medicin eller substanser som kan påverka hans reaktions- och koncentrationsförmåga.
- Glöm inte att användaren är ansvarig för olyckor eller eventuell fara gentemot andra personer och deras egendom.
- För att använda maskinen krävs att användaren har fått tillbörlig utbildning i användning, justering och funktion av maskinen, samt förbudna användningsområden.

Förberedelse

- Bär alltid kraftiga skor och långbyxor när du klipper gräs. Använd inte utrustningen barfota eller med öppna skor.

- Kontrollera noggrant hela arbetsområdet och ta bort alla föremål som kan kastas iväg av maskinen, som stenar, leksaker, pinnar och kablar.
- VARNING - Bensin är mycket lättantändligt.
 - förvara bränsle i behållare som är avsedda för detta syfte.
 - tanka endast utomhus och rök inte vid tankningen.
 - tanka innan motorn startas. Ta aldrig bort tanklocket eller tanka medan motorn är igång eller när motorn är het.
 - försök inte att starta motorn om du har spillt bensin, utan rulla bort maskinen från det området och undvik att skapa någon form av antändning förrän bensinångorna dunstat.
 - sätt tillbaka alla lock på bränsletank och bränslebehållare ordentligt.
- Byt ut trasiga ljuddämpare.
- Utför alltid en visuell inspektion innan användningen för att kontrollera att knivar, knivbultar och knivmonteringen inte är utnötta eller skadade. Ersätt samtliga utnötta eller skadade knivar och bultar i hela satser så att balansen bibehålls.
- Kontrollera regelbundet så att alla startlås och operatörsnärvarokontroller fungerar som de ska.

Drift

- Kör inte motorn i ett begränsat utrymme där farlig kolmonoxid kan ansamlas.
- Använd inte maskinen när du är trött, sjuk eller påverkad av alkohol eller andra droger.
- Varning! Använd inte gräsklipparen där det finns risk för blixtnedslag.
- Det är rekommenderat att begränsa användningstiden för att minimera riskerna med höga ljudnivåer och vibrationer.
- Var försiktig när du använder gräsklipparen i sluttningar och nära branta kanter, diken eller jordvallar.
- Klipp endast i dagsljus eller i god belysning.
- Undvik om det är möjligt att använda utrustningen i vått gräs.
- Se alltid till att ha bra förfäste på sluttningar.
- Gå, spring aldrig.
- För hjulförsedda roterande maskiner: klipp tvärs över sluttande terräng, aldrig upp och ner.
- Var särskilt försiktig vid byte av riktning i sluttande terräng.
- Klipp inte för mycket på branta ytor.
- Var särskilt försiktig när du vänder eller drar gräsklipparen emot dig.
- Stoppa kniven/knivarna om gräsklipparen måste lutas för att transporteras över gräsfria ytor och när gräsklipparen transporteras till och från ytan där gräset ska klippas.
- Använd aldrig gräsklipparen med trasiga skyddsanordningar eller utan säkerhetsutrustning som t ex stenskydd och/eller gräsuppsamlare.
- Försiktighet! Gräsklipparen får ej användas utan antingen hela gräsuppsamlaren eller utkastöppningsskyddet med automatisk stängning monterat på plats.
- Ändra inte inställningen av motorns varvtalsregulator eller övervarva motorn.
- Ändra eller modifiera inte någon förseglad justering av varvtalsreglaget.

- Gräsklipparens säkerhetssystem eller säkerhetsfunktioner får inte modifieras eller inaktiveras.
- Frikoppla alla kniv- och drivkopplingar innan du startar motorn.
- Starta motorn omsorgsfullt enligt anvisningarna och med fötterna på avstånd från kniven/knivarna.
- Luta inte gräsklipparen när du startar motorn.
- Starta inte motorn när du står framför gräsutkastningsöppningen.
- Placera inte händer och fötter i närheten eller under roterande delar. Stå alltid på avstånd från utkastöppningen.
- Lyft aldrig upp eller bär gräsklipparen med motorn igång.
- Stanna motorn och lossa tändkabeln, kontrollera att alla rörliga delar har stannat helt och ta bort tändningsnyckeln där det finns en:
 - innan du tar bort något som fastnat eller rensar gräsutkastöppningen.
 - innan gräsklipparen kontrolleras, rengörs eller något arbete utförs på den.
 - när du har kört på ett främmande föremål. Kontrollera gräsklipparen om det uppstått skador och utför reparationer innan maskinen startas och används på nytt.
 - om gräsklipparen börjar vibrera på ett onormalt sätt (kontrollera omedelbart).
- Stanna motorn och lossa tändkabeln, kontrollera att alla rörliga delar har stannat helt och ta bort tändningsnyckeln där det finns en:
 - när du lämnar gräsklipparen utan uppsikt.
 - innan påfyllning.
- Minska gaspådraget när motorn ska stängas av och, om motorn är försedd med en avstängningsventil, stäng av bränsletillförseln vid slutet av klipningen.
- Använd gräsklipparen endast för det ändamål den är avsedd för dvs att klippa och samla ihop gräs. All annan användning kan vara farlig och orsaka skada på maskinen.

Underhåll och förvaring

- Se till att alla muttrar, bultar och skruvar är åtdragna för att alltid bibehålla utrustningen i säkert arbetsskick.
- Förvara aldrig utrustningen med bensin i tanken i en byggnad där ångor kan komma i kontakt med öppen eld eller gnistor.
- Låt motorn svalna innan du förvarar den i ett slutet utrymme. Rengör och underhåll gräsklipparen före förvaring.
- För att minska brandrisken ska motorn, ljuddämparen, batterikomponenten och utrymmet där bensinen förvaras hållas fria från gräs, löv eller för mycket smörjmedel.
- Kontrollera gräsuppsamlaren ofta så att den inte är utnött eller försämrad.
- Byt ut utnötta eller skadade delar för säker användning.
- Om bränsletanken måste tömmas ska det göras utomhus.
- Felaktigt underhåll, användning av icke-överensstämmande ersättningskomponenter, eller avlägsnande eller modifiering av säkerhetskomponenter kan skada gräsklipparen och operatören allvarligt.

- Använd endast knivar och reservdelar som rekommenderas av tillverkaren. Användning av oäkta delar kan skada maskinen och användaren. Håll gräsklipparen i fullgott arbetsskick.
- Kontakta servicecenter för att få hjälp om enheten som ska stoppa kniven inte fungerar.

Transport och hantering

- När maskinen ska hanteras, resas upp, transporteras eller lutas ska du:
 - använda kraftiga arbetshandskar;
 - greppa maskinen på platser där du får säkert grepp samtidigt som du tar hänsyn till vikten och fördelningen av densamma;
 - se till att lämpligt antal person finns tillgängliga i förhållande till maskinens vikt och egenskaper, eller platsen där den ska placeras eller plockas upp.
- Under transport ska maskinen säkras med rep eller kedjor.



VARNING: Rör inte roterande kniv.



VARNING: Tanka i ett välventilerat utrymme med motorn avstängd.

3. BESKRIVNING AV DELAR (Fig. 1)

Inkluderar

A: Tändstiftsnyckel

4. TEKNISKA DATA

| Modell | PLM5600N2 |
|----------------------------|-------------------------------|
| Motortyp | B&S 675EXi-serien, ReadyStart |
| Självgående | Ja |
| Cylindervolym | 163 cm ³ |
| Nominell effekt | 2,6 kW |
| Knivbredd | 560 mm |
| Märkhastighet | 2 800/min |
| Bränsletankens volym | 1,0 L |
| Oljetankvolym | 0,47 L |
| Gräsuppsamlarens kapacitet | 70 L |
| Nettovikt | 37,2 kg |
| Höjdinställning | 25-70 mm, 8 lägen |

| Modell | PLM5600N2 |
|---|---|
| Garanterad ljudtrycksnivå vid användarpositionen (I enlighet med EN ISO 5395-1, bilaga F, och EN ISO 5395-2, EN ISO 4871) | 88,5 dB (A) (K=3 dB (A)) |
| Uppmått ljudtrycksnivå Garanterad ljudtrycksnivå (Enligt 2000/14/EU) | 96,3 dB (A) K=1,86 dB (A) 98 dB (A) |
| Vibration (I enlighet med EN ISO 5395-1, bilaga G, och EN ISO 5395-2) | 7,90 m/s ² K=1,5 m/s ² |

5. MONTERING

5-1 MONTERA DET FÄLLBARA HANDTAGET

1. Fäst den nedre handtagsstängeln på handtagsfästet med bult, bricka och låsratt. (Fig. 2, Fig. 3)
2. Fäst handtagets övre och nedre del med låsratten. (Fig. 4, Fig. 5)
3. Placera kabeln runt hålet på det nedre handtagets mitt. Kläm fast den med kabelklämman och kontrollera att kabeln är fäst runt handtaget utsida. (Fig. 6)
Annars kan kabeln komma i kläm vid öppning/stängning av stenskyddet.

5-2 INSTÄLLNING AV EN PASSANDE HANDTAGSHÖJD

- 1) Skruva ut låsratten som fäster handtagets nedre del.
- 2) Flytta handtagets nedre del upp och ner för att justera det till rätt höjd. Det finns 3 höjdlägen som kan väljas på denna typ av gräsklippare; vid höjdläge 1 är handtagets nedre del längst från marken; vid höjdläge 3 är handtagets nedre del närmast marken. (Fig. 7)
- 3) När du har justerat handtagets nedre del till rätt höjd, låser du det med låsratten. (Fig. 8)

5-3 MONTERA OCH DEMONTERA GRÄSUPPSAMLAREN

1. Fastsättning: lyft stenskyddet och haka fast gräsuppsamlaren på maskinens baksida. (Fig. 9, Fig. 10)
2. Borttagning: ta tag i och lyft upp stenskyddet, ta bort gräsuppsamlaren.

5-4 STARTHANDTAG

Flytta starthandtaget från motorn till styrningen för startsnöret. (Fig. 11)

5-5 KLIPPHÖJD

Tryck ut spaken för att frigöra den från stället. Flytta spaken framåt eller bakåt för att justera höjden. (Fig. 12 och se paragraf 7-9)

6. FUNKTION

Dessa gräsklippare kan ändras och få andra funktioner beroende på hur de ska användas:

Från gräsklippare med bakre uppsamling till:

1. Biogräsklippare eller som
2. Gräsklippare med sidoutkast.

Vad är bioklipp?

Vid bioklipp klipps gräset i ett arbetssteg. När det är finhackat går det tillbaka till gräsmattan som naturligt gödningsmedel.

Tips för bioklippning:

- regelbunden nedklippning av max. 2 cm, från 6 cm till 4 cm gräslängd.
- använd en vass skärkniv.
- klipp inte blött gräs.
- Ställ in max. motorhastighet.
- flytta endast i arbetstakt.
- rengör regelbundet bioklippningskilen, insidan av kåpan och den rörliga kniven.

Att börja använda maskinen

6-1 Byte av utrustning för bioklippning



VARNING: Endast med avstängd motor och stillastående klippare.

1. Lyft upp stenskyddet och ta bort gräsuppsamlaren.
2. Tryck in bioklippningskilen i klippdäcket. Lås bioklippningskilen med knappen i öppningen på klippdäcket. (Fig. 13, Fig. 14)
3. Sänk ner stenskyddet igen. (Fig. 15)
4. Lyft upp sidoluckan och ta bort sidoutkastkanalen.

6-2 Återställning för klippning med sidoutkast



VARNING: Endast med stillastående motor och kniv!

1. Lyft upp stenskyddet och ta bort gräsuppsamlaren.
2. Tryck in bioklippningskilen i klippdäcket. Lås bioklippningskilen med knappen i öppningen på klippdäcket.
3. Lyft upp sidoluckan för sidoutkastet. (Fig. 16)
4. Montera sidoutkastkanalen för sidoutkast på sidoluckans stötdapp. (Fig. 17)
5. Fäll ned sidoluckan - luckan vilar på sidoutkastkanalen. (Fig. 18)

6-3 Klippa med gräsuppsamlaren



VARNING: Endast med stillastående motor och kniv.

För att klippa med gräsuppsamlaren ska bioklippningskilen och sidoutkastkanalen tas bort, och därefter ska gräsuppsamlaren monteras.

1. Borttagning av bioklippningskilen.
 - Lyft upp stenskyddet och ta bort bioklippningskilen.
2. Ta bort sidoutkastet:
 - Lyft sidoluckan och ta bort sidoutkastet.
 - sidoluckan stänger automatiskt utkastets öppning med en fjäder.
 - Ta regelbundet bort gräsrester och smuts från sidolucka och utkastöppning.
3. Montera gräsuppsamlaren.
 - lyft stenskyddet och haka fast gräsuppsamlaren på maskinens baksida.

7. ANVÄNDARANVISNINGAR

7-1 FÖRE START

Serva motorn med bensin och olja enligt anvisningarna i den separata bruksanvisningen för motorn som medföljer din gräsklippare. Läs noggrant igenom anvisningarna. (Fig. 19, Fig. 20, Fig. 21)



VARNING: Bensin är mycket lättantändligt.

Förvara bränsle i specialbehållare som är avsedda för detta ändamål.

Tanka endast utomhus innan motorn startas och rök inte medan du tankar eller hanterar bränslet.

Ta aldrig bort tanklocket eller tanka bensin medan motorn körs eller när motorn är het.

Försök inte att starta motorn om du har spillt bensin utan rulla bort maskinen från det området och undvik att skapa någon form av antändning förrän bensinångorna dunstat. Sätt tillbaka alla lock på bränsletankar och bränslebehållare ordentligt.

Innan du lutar gräsklipparen för att utföra underhåll på kniven eller tömma ut oljan ska bränslet först tömmas ur tanken.



WARNING: Tanka aldrig inomhus, med motorn igång eller förrän motorn har svalnat i minst 15 minuter efter användning.

7-2 STARTA MOTORN OCH KOPPLA IN KNIVEN

1. Maskinen är utrustad med en gummihatt över änden på tändstiftet. Kontrollera att metallöglan på tändkabelns ände (inuti gummihatten) sitter fast ordentligt över metallspetsen på tändstiftet.
2. Vid start av varm eller kall motor sätter du chokereglaget mellan lägena "☁" och "☁". När motorn har startat sätter du chokereglaget i läget "☁". (Fig. 22)
3. Stå bakom gräsklipparen och ta tag i bromshandtaget och håll det emot handtagets övre del, så som visas i fig. 23.
4. Ta tag i starthandtaget så som visas i fig. 23 och dra upp det snabbt. För tillbaka det sakta till styrningsläset efter det att motorn startat.

Släpp bromshandtaget för att stanna motorn och kniven.

Starta motorn omsorgsfullt enligt anvisningarna och med fötterna på avstånd från kniven.



Luta inte gräsklipparen när motorn startas.



Starta motorn omsorgsfullt enligt anvisningarna och med fötterna på avstånd från kniven.



Håll händer och fötter borta från roterande delar. Starta inte motorn när du står framför utkastöppningen.

7-3 ANVÄNDNINGSPROCEDURER

Håll bromshandtaget hårt med båda händerna under användning.



Obs: När bromshandtaget släpps under användningen, stannar motorn vilket stoppar gräsklipparen för drift.



Warning: För att undvika att gräsklipparen startas av misstag är den utrustad med en motorbroms som måste dras tillbaka innan motorn kan startas. När motorbromsspaken släpps måste den återgå till det ursprungliga läget, då motorn automatiskt stängs av.



Obs: Motorbroms (bromshandtag): Använd spaken för att stoppa motorn. När du släpper upp spaken stoppar motorn och kniven automatiskt. För att klippa gräs, håll spaken i arbetsläget. Innan du påbörjar gräsklippningen, kontrollera start/stoppspaken flera gånger för att se till att den fungerar ordentligt. Se till att spännkabeln kan röra sig fritt (d.v.s. att den inte sitter fast eller tar emot någonstans).

7-4 STANNA MOTORN



FÖRSIKTIGHET: Kniven fortsätter att rotera i några sekunder efter det att motorn har stängts av.

1. Släpp bromshandtaget för att stanna motorn och kniven. (Fig. 24)
2. Lossa och jorda tändkabeln enligt anvisningen i den separata bruksanvisningen för motorn, för att förebygga oavsiktlig start medan utrustningen inte är under uppsikt.

7-5 ANSLUTNING FÖR AUTOMATISK FÖRFLYTTNING

Gräsklipparen är utrustad med ett system för hastighetsreglering som kan justera 3 hastigheter från 3,0 km/h till 4,5 km/h.

Läge "☁": det långsamma läget; Läge "☁": det snabba läget. (Fig. 25)

Följ dessa steg:

1. Släpp kontrollhandtaget för självgående drift tills gräsklipparen inte rör sig framåt.
2. Reglera till önskad hastighet.
3. Ta tag i kontrollhandtaget för självgående drift för att fortsätta klippa. (Fig. 26)



FÖRSIKTIGHET: Din gräsklippare är konstruerad för att klippa vanligt trädgårdsgräs som inte är högre än 250 mm.

Försök inte att klippa mycket högt torrt eller blött gräs (t.ex. betesmark) eller högar av torra löv. Spillror kan byggas upp på klippdäcket eller komma i kontakt med avgasröret och skapa en möjlig brandrisk.

7-6 FÖR BÄSTA RESULTAT VID KLIPPNING

Rensa gräsmattan från skräp. Kontrollera gräsmattan så att den är fri från stenar, pinnar, kablar eller andra främmande föremål som oavsiktligt kan kastas ut av gräsklipparen i olika riktningar och orsaka användaren eller andra allvarlig skada, liksom skada på egendom och omgivande föremål. Klipp inte vått gräs. För effektiv klippning ska gräset inte klippas vått därför att det tenderar att fastna på undersidan av klippdäcket vilket förhindrar korrekt klippning av gräset. Klipp inte mer än 1/3 av gräsets längd. Den rekommenderade klippningen är 1/3 av gräsets längd. Hastigheten måste justeras så att det avklippa gräset fördelas jämnt över gräsmattan. För särskilt tung klippning i tjockt gräs kan det vara nödvändigt att använda en av de långsamma hastigheterna för att få en ren och bra klippning. Vid klippning av långt gräs måste du kanske klippa

gräsmattan i två omgångar och sänka kniven ytterligare 1/3 för den andra klippningen, och kanske klippa i en annan riktning än första gången. Att överlappa klippningen lite varje gång hjälper också till att städa upp spritt avklippt gräs som blivit kvar på gräsmattan. Gräsklipparen ska alltid användas med fullt gaspådrag för att få den bästa klippningen och för att låta den göra det mest effektiva klippjobbet. Rengör undersidan av klippdäcket. Se till att rengöra undersidan av klippdäcket efter varje användning för att undvika att för mycket gräs fastnar, vilket kan förhindra korrekt bioklippning. Klippning av löv. Klippning av löv kan också vara välgörande för din gräsmatta. Vid klippning av löv är det viktigt att se till att löven är torra och inte ligger i för tjockt lager på gräsmattan. Vänta inte på att alla löven ska ha trillat av träden innan du klipper.



VARNING: Stäng av motorn om du kör på ett främmande föremål. Ta bort tändkabeln och inspektera gräsklipparen noga så att det inte uppstått några skador och reparera eventuell skada innan du startar om och använder gräsklipparen. Om gräsklipparen vibrerar onormalt under användning tyder det på skada. Maskinen ska omedelbart kontrolleras och repareras.

7-7 GRÄSUPPSAMLARE

Det finns ett genomskinligt fönster på stenskyddet genom vilket du kan se hur gräset ser ut i gräsuppsamlaren. Om gräsuppsamlaren är full av gräs behöver du tömma och rengöra den, se till att den är ren och se till att nätet släpper igenom luft. (Fig. 27)

7-8 KLIPPDÄCK

Undersidan av gräsklipparen ska rengöras efter varje användning för att förhindra uppbyggnad av klippt gräs, löv, smuts och annat material. Om detta skräp tillåts att ansamlas kommer det att bildas rost och anfrätningar samt förhindra korrekt bioklippning. Klippdäcket kan rengöras genom att luta gräsklipparen och skrapa rent med ett passande verktyg (kontrollera att tändkabeln inte är ansluten).

7-9 INSTRUKTIONER FÖR HÖJDINSTÄLLNING



FÖRSIKTIGHET: Utför aldrig någonsin några justeringar på gräsklipparen utan att först stänga av motorn och ta bort tändkabeln.



FÖRSIKTIGHET: Innan du ändrar klipphöjden ska motorn stängas av och tändkabeln kopplas bort.

Din gräsklippare är utrustad med en central höjdinställningsspak som erbjuder 8 höjdlägen.

1. Stanna gräsklipparen och koppla bort tändkabeln innan du ändrar klipphöjden.
2. Den centrala höjdinställningsspaken erbjuder dig 8 olika höjdlägen.

För att ändra klipphöjden ska du trycka höjdinställningsspaken mot hjulet och föra den upp eller ner för att välja höjd.

Alla hjulen kommer att placeras på samma klipphöjd. (Fig. 28)

8. UNDERHÅLLSANVISNINGAR

TÄNDSTIFT

Använd endast originaltändstift. Byt ut tändstiftet var 100:e användningstimme för bästa resultat.

BROMSBELÄGG

Kontrollera och/eller ersätt motorns bromsbelägg hos en servicerepresentant med regelbundna mellanrum, och använd endast originaldelar vid reservdelsbyte.

9. SMÖRJNINGSANVISNINGAR



FÖRSIKTIGHET: KOPPLA BORT TÄNDKABELN FÖRE SERVICE.

1. HJUL-Smörj kullagren i varje hjul åtminstone en gång per säsong med en tunn olja.
2. MOTOR-Följ smörj-anvisningarna i motorns bruksanvisning.

10. RENGÖRING



FÖRSIKTIGHET: Spola inte motorn med vattenslang. Vatten kan skada motorn eller kontaminera bränslesystemet.

1. Torka av klippdäcket med en torr trasa.
2. Spola under klippdäcket genom att luta gräsklipparen så att tändstiftet är uppåt.

10-1 MOTORNS LUFTRENARE



FÖRSIKTIGHET: Låt inte smuts eller damm täppa igen luftfiltrets skumplast. Motorns luftrenare måste servas (rengöras) efter 25 timmars normal klippning. Skumplasten måste servas regelbundet om gräsklipparen används under torra och dammiga förhållanden.

RENGÖRING AV LUFTFILTER

1. Lyft komponenten på filterskyddet. (Fig. 29)
2. Ta bort filterskyddet.
3. Tvätta filtret i tvålvatten. **ANVÄND INTE BENSIN!**
4. Lufttorka filtret.
5. Sätt några droppar SAE30-olja på luftfiltrets skumplast och krama ihop hårt för att ta bort överskott av olja.
6. Montera tillbaka filtret.
7. Stäng filterkåpan.

OBS: Byt ut filtret om det är nött, trasigt, skadat eller inte går att rengöra.

10-2 KNIVBLAD



FÖRSIKTIGHET: Se till att koppla bort och jorda tändkabeln innan du utför arbete på knivbladet för att förebygga oavsiktlig start av motorn. Skydda händer genom att använda grova handskar eller en trasa för att ta tag i knivbladen. Luta gräsklipparen enligt anvisningarna i den separata bruksanvisningen för motorn. Ta bort sexkantsbulten och brickan som fäster kniven och knivadaptern till motorns vevaxel. Ta bort kniven och adaptern från vevaxeln.



VARNING: Kontrollera knivadaptern då och då, så att det inte uppstått sprickor, särskilt om du slagit emot ett främmande föremål. Byt ut vid behov. För bästa resultat ska kniven vara vass. Kniven kan slipas på nytt genom att ta bort den och antingen slipa eller fila klippeggen och bevara originalvinkeln så bra som möjligt. Det är extremt viktigt att varje klippegg slipas lika mycket för att förebygga en obalanserad kniv. Felaktig knivbalans leder till mycket vibrationer som orsakar skada på motorn och gräsklipparen. Se till att noggrant balansera kniven efter slipningen. Kniven kan balanstestas genom att balansera den på en rundskaftad skruvmejsel. Ta bort metall från den tunga sidan till den är i balans. (Fig. 30) Innan du monterar tillbaka kniven och dess adapter på enheten ska motorns vevaxel och insidan på knivadaptern smörjas med en tunn olja. Montera knivadaptern på vevaxeln. Se fig. 30. Placera kniven med artikelnumret riktat bort från adaptern. Placera brickan rakt över hålet i kniven och sätt i sexkantsbulten. Dra åt sexkantsbulten till de vridmoment som finns i listan nedan.

10-3 VRIDMOMENT FÖR KNIVMONTERING

Mittbult 40 Nm - 50 Nm, för att säkerställa att enheten kan användas på ett säkert sätt. ALLA muttrar och bultar måste kontrolleras periodiskt för korrekt åtdragning. Efter långvarig användning, speciellt i sandig jord, kommer kniven att slitas och förlora en del av sin ursprungliga skärpa. Klippningen kommer inte att bli lika effektiv och kniven ska bytas ut. Byt endast ut den mot en godkänd utbyteskniv. Möjliga skador som orsakats av obalanserad kniv är inte tillverkarens ansvar. När du byter ut kniven måste du använda originaltypen som är märkt på kniven (MAKITA 263001171) (för att beställa kniven, var god och kontakta din lokala återförsäljare eller ring vårt företag, se omslagssidan).

10-4 MOTOR

Se underhållsanvisningarna i den separata bruksanvisningen för motorn. Underhåll motoroljan enligt anvisningarna i den separata bruksanvisningen för motorn som medföljer din maskin. Läs igenom och följ anvisningarna noggrant. Serva luftrenaren under normala förhållanden enligt den separata bruksanvisningen för motorn. Rengör var och varannan timme under extremt dammiga förhållanden. Dålig motorprestanda och överfyllning tyder vanligtvis på att luftrenaren ska servas. Se den separata bruksanvisningen för motorn som medföljer din maskin för hur luftfiltret ska rengöras.

Tändstiftet ska rengöras och elektrodgapet återställas en gång per säsong. Utbyte av tändstift rekommenderas vid varje ny säsongstart. Kontrollera motorns bruksanvisning för korrekt tändstiftsart och anvisningar om elektrodgapet.

Rengör motorn regelbundet med en trasa eller borste. Håll kylsystemet (området kring fläktuset) rent för att tillåta ordentlig luftcirkulation, vilket är nödvändigt för motorns prestanda och liv. Var säker på att du får bort allt gräs, smuts och brännbara spillror från ljuddämparen.

11. FÖRVARINGSANVISNINGAR (AVSTÄLLNING)

Följande steg ska tas för att förbereda gräsklipparen inför förvaring.

1. Töm tanken efter sista klippningen för säsongen.
 - a) Töm bensintanken med en sugpump.



FÖRSIKTIGHET: Töm inte ut bensinen i ett stängt rum, i närheten av öppen eld etc. Rök inte! Bensinångor kan orsaka explosion eller brand.

- b) Starta motorn och låt den gå tills bensinen tar slut och motorn stannar.
 - c) Ta bort tändstiftet. Använd en oljekanna och fyll på med cirka 20 ml olja i förbränningskammaren. Rör på starthandtaget för att sprida oljan jämnt fördelat i förbränningskammaren. Byt ut tändstiftet.
2. Rengör och smörj gräsklipparen noggrant enligt beskrivningen ovan under rubriken "SMÖRJNINGSANVISNINGAR".
 3. Smörj kniven lätt för att undvika att den rostar.
 4. Förvara gräsklipparen på en torr, ren och frostskyddad plats, utom räckhåll för obehöriga.



FÖRSIKTIGHET: Motorn måste ha svalnat helt innan du ställer in gräsklipparen för förvaring.



OBS:

- Vid förvaring av alla typer av elektrisk utrustning i ett förråd som är oventilerat eller med annat material.
- Ska utrustningen vårdas för att inte rosta. Täck utrustningen med en tunn olja eller med silikon, speciellt kablar och alla rörliga delar.
- Var försiktig så att du inte böjer eller trasslar till kablarna.
- Om startsnöret hamnar utanför styrningen på handtaget ska du koppla bort och jorda tändkabeln. Tryck ner kontrollhandtaget för kniven och dra sakta ut startsnöret från motorn. Låt startsnöret glida in i styrningslåset på handtaget.

Transport

Stäng av motorn och låt motorn svalna. Koppla sedan från tändkabeln och töm bränsletanken i enlighet med anvisningarna i bruksanvisningen för motorn. Kontrollera så att du inte böjer eller skadar kniven när du för gräsklipparen över hinder.

12. FELSÖKNING

| PROBLEM | SANNOLIK ORSAK | ÅTGÄRD |
|--|---|--|
| Motorn startar inte. | Choken är inte i rätt läge för rådande förhållanden. | Flytta choken till rätt läge. |
| | Bränsletanken är tom. | Fyll tanken med bränsle: se MOTORNS BRUKSANVISNING. |
| | Luftrenaren är smutsig. | Rengör luftrenaren: se MOTORNS BRUKSANVISNING. |
| | Tändstiftet är löst. | Dra åt tändstiftet till 25-30 Nm. |
| | Tändkabeln är lös eller bortkopplad från pluggen. | Montera tändkabeln på tändstiftet. |
| | Elektrodgapet på tändstiftet är felaktigt. | Ställ in gapet mellan elektroderna till 0,7 till 0,8 mm. |
| | Trasigt tändstift. | Montera ett nytt, korrekt elektrodgap: se MOTORNS BRUKSANVISNING. |
| | Förgasaren är övermättad med bränsle. | Ta bort luftrenaren och dra i startsnöret kontinuerligt tills förgasaren rengör sig själv och montera sedan luftrenaren. |
| | Felaktigt tändningsmodul. | Kontakta serviceagenten. |
| Motorn är svårstartad eller verkar svag. | Smutsig, vattenfylld eller sliten bränsletank. | Töm ut bränslet och rengör tanken. Fyll tanken med rent och fräscht bränsle. |
| | Ventilationshålet i bränsletanklocket är blockerat. | Rengör eller byt ut bränsletanklocket. |
| | Luftrenaren är smutsig. | Rengör luftrenaren. |
| Motorn arbetar oregelbundet. | Trasigt tändstift. | Montera ett nytt, korrekt elektrodgap: se MOTORNS BRUKSANVISNING. |
| | Elektrodgapet på tändstiftet är felaktigt. | Ställ in gapet mellan elektroderna till 0,7 till 0,8 mm. |
| | Luftrenaren är smutsig. | Rengör luftrenaren: se MOTORNS BRUKSANVISNING. |
| Motorn går dåligt på tomgång. | Luftrenaren är smutsig. | Rengör luftrenaren: se MOTORNS BRUKSANVISNING. |
| | Luftsprings i motorhöljet är blockerade. | Ta bort skräp från springorna. |
| | Kylflänsar och luftpassager under motorns fläkthus är blockerade. | Ta bort skräp från kylflänsarna och luftpassagerna. |
| Motorn hackar vid hög hastighet. | Gapet mellan tändstiftets elektroder är för tätt. | Ställ in gapet mellan elektroderna till 0,7 till 0,8 mm. |
| Motorn överhettas. | Kylande luftflödet är begränsat. | Ta bort skräp från springorna i höljet, fläkthuset, luftpassagerna. |
| | Felaktigt tändstift. | Installera original tändstift och kylflänsar i motorn. |
| Gräsklipparen vibrerar onormalt. | Klippmonteringen är lös. | Dra åt kniven. |
| | Klippmonteringen är obalanserad. | Balansera kniven. |

13. MILJÖ

Skulle du behöva byta ut din maskin efter långvarig användning får du inte slänga den i hushållssoporna utan avfallshantera den på ett miljövänligt sätt.

14. EG-FÖRSÄKRAN OM ÖVERENSSTÄMMELSE

Gäller endast Europa

EG-försäkran om överensstämmelse finns bifogad i Bilaga A till denna bruksanvisning.

Forklaring til oversikten

- | | | |
|---------------------------------|----------------------|-------------------------|
| 1. Bremsekontrollhåndtak | 10. Sideutløpskanal | 19. Komposteringskile |
| 2. Øvre håndtak | 11. Sideklaff | 20. Knapp |
| 3. Selvkjørende kontrollhåndtak | 12. Deksel | 21. Oljeløkk/peilepinne |
| 4. Chokehendel | 13. Tennplugg | 22. Maks: øvre grense |
| 5. Starthåndtak | 14. Drivstofflokk | 23. Min: nedre grense |
| 6. Snorføring | 15. Oljeløkk | 24. Flik |
| 7. Sperreknapp | 16. Kabelklemme | 25. Filterdeksel |
| 8. Gressoppsamler | 17. Nedre håndtak | |
| 9. Høydejusteringshendel | 18. Hastighetshendel | |



ADVARSEL:

Av hensyn til din egen sikkerhet bør du lese denne håndboken før du tar den nye enheten din i bruk. Hvis du ikke følger anvisningene, kan det medføre alvorlige helseskader. Hver gang du skal bruke gressklipperen din, bør du ta deg tid til å gjøre deg kjent med den igjen. Oppbevar denne håndboken på et trygt sted, så informasjonen alltid er lett tilgjengelig. Hvis du overlater utstyret til en annen person, må du gi vedkommende disse bruks- og sikkerhetsanvisningene også.

Riktig bruk

Utstyret må kun brukes til oppgaver den er konstruert for å utføre. Enhver annen bruk regnes for å være feilaktig bruk. Brukeren eller operatøren, og ikke produsenten, vil være ansvarlig for eventuelle skader på gjenstander eller personer dette måtte medføre.

Den bensindrevne gressklipperen er beregnet på privat bruk, dvs. i hjemme- eller hagemiljø.

Privat bruk av gressklipperen betyr en årlig driftstid som vanligvis ikke overstiger 50 timer, og som hovedsakelig går med til å vedlikeholde mindre plener i boligområder eller i tilknytning til hytter e.l. Bruk i tilknytning til offentlige institusjoner, idrettshaller og jord- eller skogbruk omfattes ikke.

Vær oppmerksom på at utstyret vårt ikke er konstruert for bruk i kommersiell, næringsmessig eller industriell sammenheng. Garantien vår gjelder ikke hvis maskinen brukes i forretningsøyemed innen handel, industri eller annen næring, eller for tilsvarende formål.

Produsentens medfølgende anvisninger for bruk må følges og leses for å sikre at gressklipperen brukes og vedlikeholdes på riktig måte. Anvisningene inneholder nyttig informasjon om bruk, vedlikehold og service.

Viktig! Som følge av den store faren for personskade på brukeren, må gressklipperen ikke brukes til å trimme busker, hekker eller underskog, kutte skrånende vegetasjon, tak med gress på, gress på balkonger, suge opp smuss og rusk fra fortau, eller til å kappe kvister fra trær eller hekker. Gressklipperen skal heller ikke brukes som motordrevet jordfreser for å jevne ut forhøyninger som f.eks. muldvarphauger.

Av sikkerhetshensyn skal gressklipperen ikke brukes som drivenhet for annen arbeidsredskap eller noe slags verktøysett.

1. SYMBOLER SOM ER MARKERT PÅ PRODUKTET (på det bakre dekselet)



Les bruksanvisningen.



Hold tilskuere unna.



Vær oppmerksom på hender og føtter mens maskinen er i bruk for å unngå personskader.



Drivstoffet er brannfarlig, hold åpen ild borte. Ikke fyll på drivstoff mens motoren er i gang.



Giftige gasser: Ikke bruk maskinen innendørs.



Bruk personlig verneutstyr, som vernebriller og øreplugg, mens gresset klippes.



Ved reparasjonsarbeid, fjern tennpluggen og utfør reparasjonsarbeidet i samsvar med bruksanvisningen.



Forsiktig: Motoren er varm.

2. GENERELLE SIKKERHETSREGLER



ADVARSEL: Når du bruker bensindrevne verktøy, må du alltid følge de grunnleggende sikkerhetsanvisningene, inklusive anvisningene nedenfor. Dette vil redusere faren for alvorlig personskader og/eller skader på enheten. Les gjennom hele bruksanvisningen før du tar i bruk dette produktet, og oppbevar bruksanvisningen for fremtidig referanse.



ADVARSEL: Denne maskinen produserer et elektromagnetisk felt under drift. Dette feltet kan i enkelte tilfeller forstyrre aktive eller passive medisinske implantater. For å redusere risikoen for alvorlig eller livsfarlig personskade, anbefaler vi personer med medisinske implantater å konsultere deres lege og produsenten av det medisinske implantatet før de bruker denne maskinen.

Opplæring

- Les nøye gjennom bruksanvisningen. Gjør deg kjent med kontrollene og sett deg inn i hvordan utstyret fungerer. Lær hvordan du stopper motoren raskt.
- Bruk gressklipperen kun til det formålet den er laget for dvs. å kutte og samle opp gress. All annen bruk kan være farlig og forårsake skade på maskinen. Eksempler på feilaktig bruk kan omfatte, men er ikke begrenset til:
 - transport av mennesker, barn eller dyr på maskinen;
 - som blir transportert av maskinen;
 - bruk av maskinen til å taue eller skyve;
 - bruk av maskinen for oppsamling av løv eller rusk og rask;
 - bruk av maskinen for å trimme hekker eller for kutting av annen vegetasjon enn gress;
 - flere enn én person som bruker maskinen;
 - bruk av bladet på overflater med annet enn gress.
- La aldri barn eller personer som ikke er kjent med denne bruksanvisningen, bruke gressklipperen. Lokale bestemmelser kan omfatte aldersgrenser for bruk av utstyret.
- Bruk aldri gressklipperen:
 - når mennesker, særlig barn og kjæledyr er i nærheten;
 - hvis operatøren har tatt medisiner eller medikamenter som kan påvirke evnen til å reagere og være konsentrert.
- Husk at operatøren eller brukeren er ansvarlig for ulykker eller faresituasjoner som kan oppstå for andre personer eller på deres eiendom.
- Brukerne må få ordentlig opplæring i bruk, justering og drift av maskinen, inkludert informasjon om hva det ikke er tillatt å bruke den til.

Forberedelser

- Bruk alltid solid fottey og langbukser når du bruker gressklipperen. Ikke bruk utstyret barbeint eller med åpne sandaler.

- Inspiser grundig området hvor utstyret skal brukes, og fjern alle gjenstander som maskinen kan komme til å slynge avgårde, som steiner, leketøy, pinner og ledninger.
- ADVARSEL - Bensin er meget brannfarlig.
 - Oppbevar drivstoffet i beholdere som er spesielt beregnet til dette formålet.
 - Etterfylt drivstoff kun utendørs, og ikke røyk under fylling av drivstoff.
 - Fyll på drivstoff før du starter motoren. Du må aldri fjerne lokket på drivstofftanken eller fylle på bensin mens motoren er i gang eller motoren er varm.
 - Hvis det søles drivstoff, må du ikke starte motoren, men flytte maskinen bort fra det tilsølte området for å unngå å skape en tennkilde før bensindampen har forsvunnet.
 - Sett alle lokkene til drivstofftank og beholder godt på igjen.
- Erstatt defekte lyddempere.
- Før bruk må du alltid inspisere maskinen for å sjekke at blader, bladbolter og skjæreverket ikke er slitt eller skadet. Erstatt hele settet av slitte eller skadde blader og bolter for å opprettholde balansen.
- Kontroller jevnlig at alle startfjorriglinger og kontroller som fungerer etter dødmannsknapp-prinsippet (stopper f.eks. motoren hvis operatøren ikke er tilstede), fungerer som de skal.

Drift

- Ikke start motoren på et innestengt område ettersom farlige karbonmonoksidgasser kan samle seg opp.
- Ikke bruk maskinen hvis du er trett, syk eller er påvirket av alkohol eller legemidler.
- Advarsel! Ikke bruk gressklipperen hvis det er fare for lynnedslag.
- Det anbefales å begrense varigheten av arbeidet, for å redusere risikoen som er forbundet med støy og vibrasjoner.
- Vær forsiktig når du bruker gressklipperen i skråninger og i nærheten av stup, grøfter eller veifyllinger.
- Bruk gressklipperen bare i dagslys eller ved god kunstig belysning.
- Unngå å bruke gressklipperen i vått gress, der det lar seg gjøre.
- Pass på at du har godt fotfeste i skråninger.
- Gå, ikke løp.
- For roterende maskiner med hjul, klipp på tvers av skråninger, aldri oppover og nedover.
- Vær svært forsiktig under endring av retning i skråninger.
- Ikke klipp i allfor bratte skråninger.
- Vær uhyre forsiktig når du skal rygge eller trekke gressklipperen mot deg.
- Stans bladet eller bladene hvis gressklipperen må skråstilles for transport når du må krysse andre bakkeunderlag enn gress og når du transporterer gressklipperen til og fra området hvor den skal brukes.
- Du må aldri bruke gressklipperen hvis verneklensene er defekte eller sikkerhetsinnretningene ikke er på plass, for eksempel ledeplater og/eller gressoppsamlere.
- Forsiktig: Gressklipperen skal ikke brukes uten at hele gressfangeren eller det selvlukkende vernet for utkaståpningen er på plass.

- Ikke endre innstillingene på motorens turtallsregulator, og ikke kjør motoren med for stor hastighet.
- Ikke endre eller tukle med forseglede justeringsmekanismer for motorens hastighetsstyring.
- Gressklipperen sikkerhetssystemer eller -funksjoner må ikke tukles med eller settes ut av drift.
- Løsne alle inngrep for blader eller drivverk før du starter maskinen.
- Start motoren forsiktig i samsvar med instruksjonene og med føttene godt borte fra bladet eller bladene.
- Ikke skråstill gressklipperen mens du starter motoren.
- Ikke start motoren mens du står foran utløpsrennen.
- Ikke plasser hender eller føtter nær eller under roterende deler. Hold deg hele tiden borte fra utløpsåpningen.
- Du må aldri løfte eller bære en gressklipper mens motoren er i gang.
- Stopp motoren og kople fra tennpluggledningen, påse at alle bevegelige deler har fullstendig stoppet og, dersom maskinen er utstyrt med nøkkel, fjern nøkkelen:
 - før du fjerner tilstopninger eller blokkeringer i rennen,
 - før du kontrollerer, rengjør eller utfører arbeid på gressklipperen,
 - etter at du har truffet et fremmedlegeme. Inspiser gressklipperen for skade, og reparer før du starter og bruker gressklipperen på nytt.
 - hvis gressklipperen begynner å vibrere unormalt (kontroller umiddelbart).
- Stopp motoren og kople fra tennpluggledningen, påse at alle bevegelige deler har fullstendig stoppet og, dersom maskinen er utstyrt med nøkkel, fjern nøkkelen:
 - hver gang du forlater gressklipperen,
 - før du etterfyller drivstoff.
- Reduser gassens innstilling mens motoren slås av og, hvis motoren er utstyrt med en stengeventil, steng drivstofftilførselen etter at klippingen er ferdig.
- Bruk gressklipperen kun til det formålet den er laget for: å kutte og samle opp gress. All annen bruk kan være farlig og forårsake skade på maskinen.

Vedlikehold og oppbevaring

- Hold alle muttere, bolter og skruer strammet for å sikre at utstyret er i god driftsmessig stand.
- Utstyret må aldri oppbevares innendørs med bensin i tanken, ettersom gasser kan nå en åpen flamme eller gnist.
- La maskinen kjøles seg ned før du setter den bort etter bruk. Rengjør og vedlikehold gressklipperen før lagring.
- For å redusere brannfaren skal motoren, lyddemperen, batterirommet og bensinoppbevaringsområdet holdes fri for gress, løv eller overflødig fett.
- Sjekk gressoppsamleren ofte for slitasje eller skader.
- Erstatt slitte og skadede deler for å øke sikkerheten.
- Hvis drivstofftanken må tappes, skal dette gjøres utendørs.
- Feilaktig vedlikehold, bruk av reservedeler som ikke passer til maskinen, eller fjerning eller modifisering av sikkerhetskomponenter kan ødelegge gressklipperen og påføre brukerne alvorlige personskader.

- Bruk kun blader og reservedeler som produsenten har anbefalt. Bruk av deler som ikke er originale, kan skade maskinen og brukerne. Sørg for at gressklipperen holdes i god stand.
- Hvis bladstopperen ikke fungerer, må du ta kontakt med servicesenteret for å få hjelp.

Transport og håndtering

- Når maskinen skal håndteres, heves, transporteres eller tiltes må du:
 - bruke sterke arbeidshansker;
 - grip maskinen der du får et sikkert tak, og ta hensyn til vekt og fraktning av maskinen;
 - få tilstrekkelig hjelp i forhold til vekt og egenskaper til maskinen eller stedet der den skal plasseres eller hentes.
- Fest maskinen forsvarlig ved bruk av tau eller kjetting under transport.



ADVARSEL: Ikke berør roterende blader.



ADVARSEL: Fylling av drivstoff skal kun skje i godt ventilert område med motoren avslått.

3. BESKRIVELSE AV DELER (Fig. 1)

Inkludert

A: Tennpluggnøkkel

4. TEKNISKE DATA

| Modell | PLM5600N2 |
|-----------------------------|-------------------------------|
| Motortype | B&S 675EXi-serien, ReadyStart |
| Selvkjørende | Ja |
| Motorens slagvolum | 163 cm ³ |
| Nominell effekt | 2,6 kW |
| Bladbredde | 560 mm |
| Merkehastighet | 2 800/min |
| Kapasitet drivstofftank | 1,0 L |
| Oljetankvolum | 0,47 L |
| Kapasitet på gressoppsamler | 70 L |
| Nettvekt | 37,2 kg |
| Høydejustering | 25-70 mm, 8 justering |

| Modell | PLM5600N2 |
|---|---|
| Garantert lydtrykknivå ved brukerens plassering (I henhold til EN ISO 5395-1 tillegg F og EN ISO 5395-2, EN ISO 4871) | 88,5 dB (A) (K=3 dB (A)) |
| Målt lydeffektivnivå | 96,3 dB (A) |
| Garantert lydeffektivnivå (I henhold til 2000/14/EF) | K=1,86 dB (A) 98 dB (A) |
| Vibrasjoner (I henhold til EN ISO 5395-1 tillegg G og EN ISO 5395-2) | 7,90 m/s ² K=1,5 m/s ² |

5. MONTERING

5-1 MONTERING AV FOLDEHÅNDTAKET

1. Fest det lavere håndtaket på håndtaksfestet med bolt, skive og sperreknapp. (Fig. 2, Fig. 3)
2. Sett sammen det øvre håndtaket og det nedre håndtaket med sperreknappen. (Fig. 4, Fig. 5)
3. Plasser kabelen rundt hullet i midten av det nedre håndtaket. Klem den med kabelklemmen og pass på at den er festet på utsiden av håndtaket. (Fig. 6) Ellers kan kabelen komme i klem ved å åpne/lukke bakdekslet.

5-2 JUSTERING AV HÅNDTAKET TIL EN PASSENDE HØYDE

- 1) Skru ut sperreknappen som festet det nedre håndtaket.
- 2) Beveg det nedre håndtaket opp eller ned; juster det til passende høyde. Det er 3 justeringshøyder å velge mellom på denne gressklipperen. Høydeposisjon 1 er den høyeste posisjonen for det nedre håndtaket; høydeposisjon 3 er den laveste. (Fig. 7)
- 3) Når du har justert det nedre håndtaket til passende høyde, fest det med sperreknappen. (Fig. 8)

5-3 MONTERE OG DEMONTERE GRESSOPPSAMLEREN

1. For å feste: Løft bakdekslet og sett gressoppsamleren på baksiden av gressklipperen. (Fig. 9, Fig. 10)
2. For å fjerne: Grip tak i og løft bakdekslet; fjern gressoppsamleren.

5-4 STARTHÅNDTAK

Flytt starthåndtaket fra motoren til snorføringen. (Fig. 11)

5-5 KUTTEHØYDE

Bruk utvendig trykk for å løsne spaken fra tannskiven. Flytt spaken frem eller tilbake for å justere høyden. (Fig. 12 og se klausul 7-9)

6. FUNKSJON

Disse gressklipperne kan modifiseres fra sin vanlige funksjon, avhengig av formål:

Fra gressklipper med baksamling til:

1. Komposteringsklipper eller som
2. Gressklipper med sideutslipp.

Hva er kompostering?

Under komposteringsklipping blir gresset klippet i ett arbeidstrinn, deretter oppkuttet og ført tilbake til gressplenen som naturlig gjødsel.

Tips for komposteringsklipping:

- Vanlig nedskjæring med maks 2 cm fra 6 cm til 4 cm gresshøyde.
- Bruk en skarp klippeknav.
- Ikke klipp vått gress.
- Still inn maks. motorturtall.
- Flytt maskinen kun i arbeidstempo.
- Rengjør komposteringskile, husets innside og klippebladet.

Starte drift

6-1 Modifisering for komposteringsklipper



ADVARSEL: Kun når motoren er stoppet og skjæreverket står stille.

1. Løft bakdekslet og fjern gressoppsamleren.
2. Skyv komposteringskilen inn i dekslet. Lås komposteringskilen med knappen inn i åpningen på dekslet. (Fig. 13, Fig. 14)
3. Senk bakdekslet på nytt. (Fig. 15)
4. Løft sideklaffen og fjern sideutløpskanalen.

6-2 Tilbakestilling for sideutslippsklipping



Kun mens motor og skjæreverk står stille!

1. Løft bakdekslet og fjern gressoppsamleren.
2. Skyv komposteringskilen inn i åpningen på dekslet.
3. Løft sideklaffen for sideutløpet. (Fig. 16)
4. Monter sideutløpskanalen for sideutløpet på støttestiften på sideklaffen. (Fig. 17)
5. Senk sideklaffen – klaffen ligger på sideutløpskanalen. (Fig. 18)

6-3 Klipping med gressoppsamleren



ADVARSEL: Kun mens motor og skjæreverk står stille.

For klipping med gressoppsamleren, fjern komposteringskilen og sideutløpskanalen for sideutløp og monter gressoppsamleren.

1. Fjerning av komposteringskile.
 - Løft bakdekslet og fjern komposteringskilen.
2. Fjerne utløpskanalen for sideutløp.
 - Løft sideklaffen, og fjern sideutløpskanalen.
 - Sideklaffen stenger utløpsåpningen på huset automatisk ved hjelp av fjærkraft.
 - Rengjør sideklaffen og utløpsåpningen regelmessig for gressrester og fastsittende jord.
3. Montere gressoppsamleren.
 - Løft bakdekslet og sett gressoppsamleren på baksiden av gressklipperen.

7. DRIFTSINSTRUKSER

7-1 FØR START

Vedlikehold motoren med bensin og olje som angitt i den egne bruksanvisningen som fulgte med gressklipperen. Les nøye gjennom instruksjonene. (Fig. 19, Fig. 20, Fig. 21)



ADVARSEL: Bensin er meget brannfarlig.

Oppbevar drivstoffet i beholdere som er spesielt beregnet til dette formålet.

Etterfyll drivstoff kun utendørs før motoren startes, og ikke røyk mens du fyller eller håndterer drivstoff.

Du må aldri fjerne lokket på drivstofftanken eller fylle på bensin mens motoren er i gang eller motoren er varm. Hvis det søles drivstoff, må du ikke starte motoren, men flytte maskinen bort fra det tilsølte området for å unngå å skape en tennkilde før bensindampen har forsvunnet. Sett alle loddene til drivstofftank og beholder godt på igjen. Før du velter gressklipperen for å vedlikeholde bladet eller tappe olje, må drivstoffet fjernes fra tanken.



ADVARSEL: Du må aldri fylle drivstoff i tanken innendørs, mens motoren er i gang eller før motoren har fått avkjølt seg i minst 15 minutter etter drift.

7-2 STARTE MOTOREN OG KOPLE INN BLADET

1. Enheten er utstyrt med en gummihette over enden på tennpluggen. Påse at metallbøylen på enden av tennpluggledningen (inne i gummihetten) er festet sikkert over metallspissen på tennpluggen.
2. Ved start av kald eller varm motor skal gasshåndtaket dreies til en posisjon mellom "☁" og "☁☁". Under bruk skal gasshåndtaket dreies til posisjonen "☁☁". (Fig. 22)
3. Stå bak maskinen, grip tak i bremsekontrollhåndtaket og hold det mot det øvre håndtaket som vist i Fig. 23.
4. Grip tak i starthåndtaket som vist i Fig. 23, og trekk det raskt opp. Returner det langsomt til snorføringsbolten når motoren har startet.

Slipp bremsekontrollhåndtaket for å stoppe motoren og bladet.



Start motoren forsiktig i samsvar med instruksjonene og med føttene godt borte fra bladet.



Ikke skråstill gressklipperen mens du starter motoren. Start gressklipperen på et jevnt underlag, fritt for høyt gress eller hindringer.



Hold hendene og føttene borte fra roterende deler. Ikke start motoren mens du står foran utløpsåpningen.

7-3 DRIFTSPROSEDYRER

Hold bremsehåndtaket godt fast med begge hender under drift.



Merk: Under drift vil motoren stoppe når du slipper bremsehåndtaket, slik at gressklipperen stopper.



Advarsel: For å unngå utilsiktet start av gressklipperen, er den utstyrt med en motorbrems som må trekkes til før motoren kan startes. Når motorstyringsspaken slippes, må den gå tilbake til sin opprinnelige stilling. Da slås motoren av automatisk.



Merk: Motorbrems (bremsehåndtak): Bruk spaken til å stoppe motoren. Når du slipper spaken, stopper motoren og bladet automatisk. For å klippe gresset må du holde spaken i arbeidsstillingen. Før du begynner å klippe gresset, må du kontrollere start/stoppspaken flere ganger, for å være sikker på at den fungerer som den skal. Forviss deg om at trekkwiren fungerer jevnt (dvs. at den ikke setter seg fast eller har krøllet seg på noen måte).

7-4 STOPPE MOTOREN



FORSIKTIG: Bladet fortsetter å rotere et par sekunder etter at motoren er slått av.

1. Slipp bremsekontrollhåndtaket for å stoppe motoren og bladet. (Fig. 24)
2. Kople fra og jord tennpluggledningen som angitt i motorens separate bruksanvisning for å forhindre at motoren kan starte ved et uhell mens den er uten tilsyn.

7-5 TILKOPLING FOR AUTOMATISK KJØRING

Gressklipperen er utstyrt med et system for hastighetsjustering som kan stilles til 3 hastigheter fra 3,0 km/t til 4,5 km/t.

Posisjon "☁": den tregeste posisjonen; posisjon "☁☁": den raskeste posisjonen. (Fig. 25)

Trinnene er som følger:

1. Slipp det selvkjørende kontrollhåndtaket til gressklipperen ikke går fremover.
2. Juster til den ønskede hastigheten.
3. Grip det selvkjørende kontrollhåndtaket for å fortsette å klippe. (Fig. 26)



FORSIKTIG: Gressklipperen er utformet for å klippe normal hageplen med en maksimal gresshøyde på 250 mm.

Ikke forsøk å klippe gjennom uvanlig høyt, vått eller tørt gress (f.eks. beite) eller hauger med tørt løv. Det kan danne seg rester under gressklipperens deksel eller tilstoppe motorens eksossystem og forårsake brannfare.

7-6 FOR BEST MULIG RESULTAT UNDER KLIPPING

Rens plenen for hagerusk. Forsikre deg om at plenen er fri for steiner, greiner, ledninger eller andre fremmedlegemer, som kan bli slynget tilfeldig utover av gressklipperen i alle retninger og forårsake alvorlige personskader for brukeren og andre eller skader på eiendom eller gjenstander i omgivelsene. Ikke klipp vått gress. For effektiv klipping, ikke klipp vått gress, fordi det har en tendens til å feste seg på undersiden av dekslet og forhindre at gresset klippes skikkelig. Ikke klipp mer enn 1/3 av gressets lengde. Anbefalt skjærehøyde ved gressklipping er 1/3 av gressets lengde.

Opphakkingshastigheten må justeres, slik at avklippet kan fordeles jevnt ned i plenen. For særlig tung klipping i tykt gress kan det være nødvendig å bruke en av de langsamste hastighetene for å få en ren, godt formet

Klipping. Når du klipper høyt gress, kan det hende at du må klippe plenen i to omganger og senke bladet ytterligere 1/3 av lengden for den andre klippingen og kanskje klippe i et annet mønster enn det du brukte i den første omgangen. Det er også lurt å overlape klippingen i hver omgang for å få med eventuelt spredt avskjær som ligger igjen på plenen. Gressklipperen bør alltid drives med full gass for å få det beste klipperesultatet og for at maskinen skal kunne gi full klippeeffekt. Rengjør dekselets underside. Påse at du rengjør undersiden av dekselet på gressklipperen etter hver gangs bruk for å unngå at gresset samler seg opp, for dette forhindrer skikkelig kompostering. Klippeblader og løv. Plenen din kan også ha godt av at du klipper løvet. Når du klipper løv, må du påse at løvet er tørt og ikke ligger for tykt på plenen. Ikke vent til alle bladene har falt av trærne før du klipper dem.



ADVARSEL: Hvis du støter borti et fremmedlegeme, stopp motoren. Fjern ledningen fra tennpluggen, undersøk gressklipperen grundig for eventuelle skader, og reparer skadene før du starter og bruker gressklipperen igjen. Økt vibrasjon i gressklipperen under drift er et tegn på skade. Da må maskinen øyeblikkelig inspiseres og repareres.

7-7 GRESSOPPSAMLER

Det er et gjennomskiktig vindu på bakdekselet som du kan bruke for å se tilstanden til gresset i gressoppsamleren. Hvis gressoppsamleren er full av gress, må du tømme og rengjøre posen, kontrollere at den er ren og sikre at nettingen er ventilert. (Fig. 27)

7-8 DEKSEL

Undersiden av dekselet på gressklipperen bør rengjøres etter hver gangs bruk for å forhindre at gressrester, løv, skitt eller annen materie kan samle seg opp. Hvis dette får samle seg opp, vil det føre til rust og korrosjon og kan forhindre skikkelig kompostering. For å rengjøre under dekselet, vipp gressklipperen over på siden, og skrap undersiden av dekselet rent med et passende verktøy (forsikre deg om at tennpluggledningen er koplet fra).

7-9 INSTRUKSJONER FOR HØYDEJUSTERING



FORSIKTIG: Du kan ikke på noe tidspunkt utføre justeringer på gressklipperen uten først å stoppe motoren og koble fra tennpluggkabelen.



FORSIKTIG: Før du endrer klippehøyden, stopp klipperen og koble fra tennpluggledningen.

Klipperen er utstyrt med en sentral høydejusteringshendel med 8 høydeposisjoner.

1. Stopp gressklipperen og koble fra tennpluggledningen før du endrer gressklipperens skjærehøyde.
2. Den sentrale høydejusteringshendelen har 8 ulike høydeposisjoner.

For å endre skjærehøyden, press justeringshendelen mot hjulet og beveg den opp eller ned til ønsket høyde. Alle hjulene vil være på samme skjærehøyde. (Fig. 28)

8. VEDLIKEHOLDSINSTRUKSJONER

TENNPLUGG

Bruk kun original reservedelstennplugg. For best resultat, skift ut tennpluggen etter hver 100. driftstime.

BREMSEKLOSSER

Få kontrollert og/eller skiftet motorens bremseklosser på et serviceverksted med jevne mellomrom. Bruk kun originaldeler.

9. SMØREINSTRUKSJONER



FORSIKTIG: KOPLE FRA TENNPLUGGEN FØR VEDLIKEHOLD.

1. HJUL - Smør kulelagrene i hvert hjul med en lett olje minst en gang i sesongen.
2. MOTOR - Følg angivelsene i motorens bruksanvisning for smøring.

10. RENGJØRING



FORSIKTIG: Ikke sprut vann på motoren. Vannet kan skade motoren eller forurense drivstoffsystemet.

1. Tørk av dekselet med en tørr klut.
2. Sprut vann under dekselet når gressklipperen er skråstilt, slik at tennpluggen vender opp.

10-1 MOTORENS LUFTFILTER



FORSIKTIG: Ikke la skitt eller støv tilstoppe luftfilterets skumelement. Motorens luftfilterelement må vedlikeholdes (rengjøres) etter 25 timers normal gressklipping. Skumelementet må vedlikeholdes regelmessig hvis gressklipperen har vært brukt under tørre, støvete forhold.

RENGJØRE LUFTFILTER

1. Løft filken på filterdekselet. (Fig. 29)
2. Fjern filterdekslet.
3. Vask filterelementet i såpevann. **IKKE BRUK BENSIN!**
4. La tørrfilterelementet lufttørke.
5. Påfør et par dråper SAE30-olje på skumfilteret, og press det godt sammen for å fjerne overflødig olje.
6. Sett filteret på plass igjen.
7. Lukk filterdekselet.

MERK: Skift filteret dersom det er slitt, opprevet, skadet eller ikke lar seg rengjøre.

10-2 SKJÆREBLAD



FORSIKTIG: Pass på at du kopler fra og jorder tennpluggledningen før du arbeider på skjæreblandet for å unngå at motoren starter i vanvare. Beskytt hendene med kraftige hansker eller en klut når du griper tak i skjæreblandene. Vipp gressklipperen over på siden som spesifisert i egen bruksanvisning for motoren. Fjern sekskantskruen og skiven som holder bladet og bladadapteren til motorens veivaksel. Fjern bladet og adapteren fra veivakselen.



ADVARSEL: Inspiser bladadapteren regelmessig for sprekker, spesielt hvis du treffer et fremmedlegeme. Skift ut hvis nødvendig.

For best resultat bør bladet være skarpt. Bladet kan skjerpes på nytt ved at du fjerner det og enten sliper eller filer skjæreeggen så nært den originale eggen som mulig. Det er uhyre viktig at hver skjæreegg slipes like mye for å hindre at bladet blir ubalansert. Uriktig bladbalanse fører til overdreven vibrasjon, som kan forårsake skade på motoren og gressklipperen. Pass godt på at du balanserer bladet etter sliping. Bladet kan testes for balanse ved å balansere det på en skrutrekker med rundt skaft. Fjern metall fra den tunge siden, til det balanserer jevnt.

(Fig. 30)

Før bladet og bladadapteren monteres igjen på maskinen, smør motorens veivaksel og bladadapterens innvendige flater med en lett olje. Monter bladadapteren på veivakselen. Se Fig. 30. Plasser bladet med delenummeret vendt bort fra adapteren. Innrett skiven over bladet, og sett inn sekskantskruen. Stram sekskantskruen til det tiltrekkingsmomentet som er opplistet nedenfor.

10-3 TILTREKKINGSMOMENT FOR MONTERING AV BLAD

Senterbolt 40 Nm - 50 Nm, sørger for sikker drift av enheten. ALLE muttere og skruer må kontrolleres regelmessig for korrekt stramming.

Etter lengre tids bruk, særlig i betingelser med mye sand, blir bladet slitt og mister litt av sin opprinnelige form. Skjæringen blir mindre effektiv, og bladet bør skiftes. Bruk kun et nytt blad av godkjent fabrikk ved utskiftning. Produsenten overtar intet ansvar for mulige skader som skyldes forhold som ubalansert blad.

Når du skifter bladet, må du kun bruke original type, merket på bladet (MAKITA 263001171) (for bestilling av blad, kontakt din lokale forhandler eller ring til vårt selskap, se forsiden).

10-4 MOTOREN

Les motorens egen bruksanvisning for instruksjoner om vedlikehold av motoren.

Etterfyll motorolje som angitt i motorens egne bruksanvisning som fulgte med gressklipperen din. Les og følg instruksjonene nøye.

Vedlikehold luffilteret under normale betingelser ifølge motorens bruksanvisning.

Rengjør det etter et par timers drift ved ekstremt støvede betingelser. Dårlig motorytelse og overoppylling er som regel et tegn på at luffilteret bør vedlikeholdes.

Les i motorens egen bruksanvisning som fulgte med maskinen angående vedlikehold av luffilteret.

Tennpluggen bør rengjøres og åpningen tilbakestilles en gang i sesongen. Det anbefales å skifte tennplugg ved innledningen til hver klippeseson. Se etter i motorens bruksanvisning for spesifikasjoner om korrekt pluggtype og åpning.

Rengjør motoren regelmessig med en klut eller børste. Hold kjølesystemet (området rundt viftehuset) rent for å tillate skikkelig luftsirkulasjon, som er avgjørende for motorens ytelse og levetid. Påse at du fjerner alt gress, skitt og sotavleiringer fra lydtemperområdet.

11. OPPBEVARINGSINSTRUKSJONER (UTENOM SESONG)

Følgende tiltak bør iverksettes for å klargjøre gressklipperen for oppbevaring.

1. Tøm tanken etter sesongens siste gangs klipping.
 - a) Tøm bensintanken med en sugepumpe.



FORSIKTIG: Ikke tapp ut bensinen i lukket rom, i nærheten av åpen ild osv. Ikke røyk! Bensingasser kan forårsake eksplosjon eller brann.

- b) Start motoren og la den kjøre til den har brukt opp all gjenværende bensin og stopper.
 - c) Ta ut tennpluggen. Bruk en oljekanne for å fylle ca. 20 ml olje i forbrenningskammeret. Aktiver starteren for å fordele oljen jevnt i forbrenningskammeret. Sett tennpluggen inn igjen.
2. Rengjør og smør gressklipperen grundig som beskrevet over under "SMØREINSTRUKSJONER".
 3. Smør skjæreverket lett for å unngå korrosjon.
 4. Oppbevar gressklipperen på et tørt, rent og frostbeskyttet sted, utenfor rekkevidde av ikke-autoriserte personer.



FORSIKTIG: Motoren må være fullstendig avkjølt før gressklipperen settes til oppbevaring.



MERK:

- Ved oppbevaring av alle typer el-utstyr i uventilerte eller materielle lagringsskruer.
- må det tas hensyn for å rustbeskytte utstyret. Påfør et tynt lag med silikon eller en lett olje på utstyret, særlig på kabler og alle bevegelige deler.
- Vær forsiktig så du ikke legger kablene i klem eller knækker dem.
- Hvis startsnoren koples fra snorføringen på håndtaket, må du kople fra og jorde tennpluggledningen, trykke ned bladkontrollhåndtaket og trekke startsnoren langsomt ut av motoren. Før startsnoren inn i snorføringsboltene på håndtaket.

Transport

Slå av motoren og la maskinen avkjøles. Koble deretter fra tennpluggkabelen og tøm drivstofftanken, som beskrevet i anvisningene i motorhåndboken. Sørg for at du ikke bøyer eller ødelegger kutteren når du skyver gressklipperen over hindringer.

12. FEILSØKING

| PROBLEM | MULIG ÅRSAK | AVHJELPENDE TILTAK |
|---|---|--|
| Motoren starter ikke. | Gasshåndtaket er ikke i korrekt posisjon for de rådende forholdene. | Flytt gasshåndtaket til korrekt posisjon. |
| | Drivstofftanken er tom. | Fyll tanken med drivstoff: Se MOTORENS BRUKSANVISNING. |
| | Luffilterelementet er skittent. | Rengjør luffilterelementet: Se MOTORENS BRUKSANVISNING. |
| | Tennplugg løs. | Stram tennpluggen til 25-30 Nm. |
| | Tennpluggledningen løs eller ikke koplet til pluggen. | Kople tennpluggledningen på tennpluggen. |
| | Tennpluggåpningen feil. | Still inn åpningen mellom elektrodene på mellom 0,7 og 0,8 mm. |
| | Tennpluggen er defekt. | Sett i en ny tennplugg med korrekt åpning: Se MOTORENS BRUKSANVISNING. |
| | Forgasseren er overfylt av drivstoff. | Fjern luffilterelementet og trekk i startsnoren hele tiden til forgasseren tømmer seg, og monter luffilterelementet igjen. |
| | Feil i tenningsmodul. | Kontakt serviceverksted. |
| Motoren vanskelig å starte eller taper kraft. | Skitt, vann eller gammelt drivstoff i tanken. | Tapp ut tanken og rengjør den. Fyll tanken med rent, nytt drivstoff. |
| | Ventilasjonskullet i drivstofftanklokket er tilstoppet. | Rengjør eller skift ut lokket på drivstofftanken. |
| | Luffilterelementet er skittent. | Rengjør luffilterelementet. |
| Motoren går uregelmessig. | Tennpluggen er defekt. | Sett i en ny tennplugg med korrekt åpning: Se MOTORENS BRUKSANVISNING. |
| | Tennpluggåpningen feil. | Still inn åpningen mellom elektrodene på mellom 0,7 og 0,8 mm. |
| | Luffilterelementet er skittent. | Rengjør luffilterelementet: Se MOTORENS BRUKSANVISNING. |
| Ujevn tomgang. | Luffilterelementet er skittent. | Rengjør luffilterelementet: Se MOTORENS BRUKSANVISNING. |
| | Lufteåpningene i motordekselet er blokkert. | Fjern skitt fra åpningene. |
| | Kjøleribbene og luftinnløpet under motorens viftehus er blokkert. | Fjern skitt fra kjøleribbene og luftinnløpene. |
| Motoren hopper over takt ved høy hastighet. | Åpningen mellom elektrodene på tennpluggen er for stor. | Still inn åpningen mellom elektrodene på mellom 0,7 og 0,8 mm. |
| Motoren overopphetes. | Kjøleluftstrømmen blokkert. | Fjern all skitt fra åpningene i deksel, viftehus, luftinnløp. |
| | Ikke korrekt tennplugg. | Sett inn original tennplugg og kjøleribber på motoren. |
| Gressklipperen vibrerer unormalt. | Skjæreverket er løst. | Stram bladet. |
| | Skjæreverket er ikke i balanse. | Balanser bladet. |

13. MILJØET

Når maskinens levetid er over og den skal vrakes, skal den ikke kastes sammen med vanlig husholdningsavfall, men skal avfallsbehandles på en miljø sikker måte.

14. EF-SAMSVARERKLÆRING

Gjelder kun land i Europa

EF-samsvarerklæringen er inkludert i tillegg A til denne instruksjonsboken.

Yleisnäkymän selitykset

- | | | |
|-------------------------|------------------------------|----------------------------------|
| 1. Jarrukahva | 10. Sivupoistoaukko | 19. Silppuamiskilla |
| 2. Ylempi kahva | 11. Sivupoistoaukon läppä | 20. Painike |
| 3. Itsevedon säätökahva | 12. Kotelo | 21. Öljyntäyttökorkki/mittatikku |
| 4. Kuristinvipu | 13. Sytytystulppa | 22. Max: yläraja |
| 5. Käynnistinkahva | 14. Polttoainesäiliön korkki | 23. Min: alaraja |
| 6. Naruohjain | 15. Öljysäiliön korkki | 24. Korvake |
| 7. Lukitusnappi | 16. Vaijerin pidin | 25. Ilmanpuhdistimen kotelo |
| 8. Ruohonkeräin | 17. Alempi kahva | |
| 9. Korkeudensäätökahva | 18. Nopeudensäätövipu | |

**VAROITUS:**

Lue tämä opas oman turvallisuutesi vuoksi ennen uuden laitteen käyttämistä. Ohjeiden noudattamatta jättämisestä voi aiheutua vakava vamma. Kertaa ruohonleikkurin käyttö ennen jokaista käyttökertaa. Säilytä tämä käyttöopas turvallisessa paikassa, jotta tiedot ovat aina käytettävissä. Jos annat laitteen toiselle henkilölle, anna mukana nämä käyttöohjeet sekä myös turvallisuusohjeet.

Määräysten mukainen käyttö

Laitetta saa käyttää vain siihen, mihin se on suunniteltu. Kaikki muu käyttö katsotaan väärinkäytöksi. Kaikista vaurioista tai loukkaantumisista, jotka aiheutuvat väärinkäytöstä vastaa käyttäjä, ei valmistaja. Bensiinikäyttöinen ruohonleikkuri on tarkoitettu yksityiseen käyttöön, ts. käytettäväksi koti- ja puutarhaympäristöissä. Ruohonleikkureiden yksityiskäytöksi katsotaan sellainen vuosittainen käyttöaika, joka ei yleensä ylitä 50 tuntia, ja jonka aikana laitetta käytetään lähinnä pienten nurmikkoalueiden ja koti-/harrastepuutarhojen hoitoon. Julkiset alueet, urheilukentät tai maa- ja metsätalous eivät kuulu yksityiskäyttöön.

Huomioi, että laitettamme ei ole tarkoitettu käytettäväksi kaupallisiin, ammattimaisiin tai teollisiin käyttötarkoituksiin. Takuumme ei ole voimassa, jos laitetta käytetään kaupallisiin, ammattimaisiin tai teollisiin tai vastaaviin käyttötarkoituksiin.

Valmistajan oheistamia käyttöohjeita täytyy noudattaa, jotta varmistetaan ruohonleikkurin oikea käyttö ja huolto. Käyttöohjeista löytyy myös tärkeät käyttö-, kunnossapito- ja huoltoehdot.

Tärkeää! Käyttäjään kohdistuvan loukkaantumisvaaran vuoksi ruohonleikkuria ei saa käyttää pensaiden, pensasaitojen tai koristepensaiden leikkaamiseen, kattoistutusten tai parvekekukkalaaatikoiden kasvien leikkaamiseen tai lian ja roskien puhdistamiseen (imemiseen) jalkakäytäviltä tai puiden tai pensasaitojen leikkausjätteiden silppuamiseen. Ruohonleikkuria ei saa myöskään käyttää moottorikultivaattorina maankohoumien tasoittamiseen, kuten esimerkiksi myyränkasojen levittämiseen.

Turvallisuussyistä ei ruohonleikkuria saa käyttää minkään muiden työkalujen tai työkalusarjojen voimanlähteenä.

1. TUOTTEESEEN MERKITYT SYMBOLIT (takasuojukseen)

Lue käyttöopas.



Pidä sivulliset loitolla.



Varo, ettei kätesi tai jalkasi joudu vaaraan.



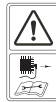
Polttoaine on herkästi syttyvää. Pidä se poissa avotulen läheisyydestä. Älä lisää polttoainetta koneen käydessä.



Myrkyllisiä höyryjä, älä käytä sisätiloissa.



Käytä ruohonleikkuriin aikana suojalaseja ja korvatulppia.



Irrota ennen korjaustoimia sytytystulppa ja tee sitten korjaukset käyttöoppaan ohjeiden mukaisesti.



Huomio: Moottori on kuuma.

2. YLEISIÄ TURVAOHJEITA



VAROITUS: Bensiinikäyttöisiä työkaluja käytettäessä on vakavan henkilövahingon ja laitteen vioittumisen välttämiseksi aina huolehdittava muun muassa seuraavista perusvaroitoimista. Lue nämä ohjeet kokonaisuudessaan, ennen kuin käytät tuotetta, ja säilytä ne tulevaa tarvetta varten.



VAROITUS: Tämä laite tuottaa toimiessaan sähkömagneettisen kentän. Tämä kenttä voi tietyissä oloissa häiritä aktiivisia tai passiivisia lääketieteellisiä apuvälineitä. Vakavan vammautumisen tai jopa kuoleman vaaran takia suosittelemme, että tällaisia apuvälineitä käyttävät henkilöt varmistavat ennen tämän laitteen käyttämistä lääkäriltään tai apuvälineensä valmistajalta, että laitteen käyttäminen on turvallista.

Käyttöön perehtyminen

- Lue ohjeet huolellisesti. Pehdy laitteen säätimiin ja asianmukaiseen käyttöön. Opettele sammuttamaan moottori nopeasti.
- Käytä ruohonleikkuria vain sen suunniteltuun käyttötarkoitukseen eli nurmikon leikkaamiseen ja leikatun ruohon keräämiseen. Muunlainen käyttö voi olla vaarallista ja vioittaa laitetta. Esimerkkejä vääränlaisesta käytöstä:
 - ihmisten tai eläinten kuljettaminen laitteella;
 - laitteen käyttäminen kulkuvälineenä;
 - kuormien vetäminen tai työntäminen laitteella;
 - laitteen käyttäminen lehtien tai roskien keräämiseen;
 - laitteen käyttäminen pensasaitojen tai muun kasvillisuuden kuin ruohon leikkaamiseen;
 - usean ihmisen toimiminen laitteen käyttäjänä samanaikaisesti;
 - terien käyttäminen muulla pinnalla kuin ruohikolla.
- Älä anna lasten tai näihin ohjeisiin perehtymättömien henkilöiden käyttää ruohonleikkuria. Paikallisissa määräyksissä saatetaan asettaa laitteen käytölle vähimmäisikäraja.
- Älä koskaan käytä ruohonleikkuria seuraavissa tilanteissa:
 - Lähistöllä on muita henkilöitä (etenkin lapsia) ja lemmikkieläimiä;
 - Käyttäjän on on lääkityksen tai muiden reaktio- ja keskittymiskykyä heikentävien aineiden vaikutuksen alainen.
- Muista, että käyttäjä vastaa tapaturmista tai vahingoista, jotka hän aiheuttaa muille ihmisille tai heidän omaisuudelleen.
- Käyttäjien täytyy saada kunnollinen koulutus koneen käytöstä, säädoista ja toiminnasta, mukaan lukien kielletyistä toiminnoista.

Valmistelutoimet

- Käytä ruohoa leikatessasi aikana aina tukevia jalkineita ja pitkiä housuja. Älä käytä laitetta paljain jaloin tai sandaalit jalassa.
- Tutki leikattava alue huolellisesti ja poista kaikki sellaiset esineet ja kappaleet, kuten kivet, lelut, kepit ja rautalangat, jotka voivat sinkoutua koneesta.

- VAROITUS – Bensiini on erittäin helposti syttyvää.
 - Säilytä polttoaine tarkoitukseen suunnitellussa astioissa.
 - Tankkaa aina ulkoilmassa äläkä tupakoi tankkauksen aikana.
 - Lisää polttoaine ennen moottorin käynnistämistä. Älä koskaan avaa polttoainesäiliön korkkia tai lisää polttoainetta, kun moottori käy tai on vielä kuuma.
 - Jos bensiiniä läikkyä, älä yritä käynnistää moottoria vaan siirrä kone pois läikymisalueelta ja vältä syttymislähteiden tuomista sen lähistölle, kunnes bensiinihöyryt ovat haihtuneet.
 - Sulje polttoainesäiliöiden ja -astioiden korit huolellisesti.
- Vaihda viottuneet äänenvaimentimet.
- Tarkista ennen käyttöä silmämääräisesti, että terät, terien pultit ja leikkuuyksikkö eivät ole kuluneet tai vaurioituneet. Vaihda kaikki viottuneet tai kuluneet terät ja ruuvit yhdellä kertaa.
- Tarkista säännöllisesti, että kaikki käynnistyksen estolukitukset ja käynnistyskahvat toimivat kunnolla.

Käyttö

- Älä käytä moottoria suljetussa tilassa, johon voi kertyä vaarallisia häkääksuja.
- Älä käytä konetta väsyneenä, sairaana tai alkoholin tai lääkkeiden vaikutuksen alaisena.
- Varoitus! Älä käytä ruohonleikkuria, jos ukonilma on tulossa.
- On suositeltavaa rajoittaa käyttöaikaa melun ja värinän aiheuttamien haittojen minimoimiseksi.
- Ole varovainen, jos käytät ruohonleikkuria rinteissä tai lähellä jyrkenteitä, oja ja penkereitä.
- Leikkaa vain päivänvalossa tai kirkaassa keinovalossa.
- Vältä märän nurmikon leikkaamista mahdollisuuksien mukaan.
- Varmista aina tukeva jalansija, kun leikkaat nurmikkoa rinteessä.
- Kävele, älä juokse.
- Leikkaa nurmikko rinteessä aina poikittaissuuntaan, älä koskaan ylös ja alas.
- Ole erityisen varovainen vaihtaessasi suuntaa rinteissä.
- Älä leikkaa nurmikkoa liian jyrkissä rinteissä.
- Ole erityisen varovainen kääntäessäsi tai vetäessäsi ruohonleikkuria itseäsi kohti.
- Pysäytä terä(t), jos ruohonleikkuria on tarpeen kallistaa ruohottomia alueita ylittäessä, sekä silloin, kun siirrä sitä leikattavalle nurmialueelle ja takaisin.
- Älä koskaan käytä ruohonleikkuria, jos suojukset ovat viottuneet tai jos turvalaitteet, kuten kivi suojaat ja/tai ruohonkeräimet, eivät ole paikallaan.
- Huomio: Ruohonleikkuria ei saa käyttää ilman joko ruohonkeräintä tai paikoillaan olevaa itsestään sulkeutuvaa poistoaukon suojaa.
- Älä muuta moottorin nopeudensäätimen asetuksia tai käytä moottoria ylikierroksilla.
- Älä muuta tai peukaloi mitään sinetöityjä säätöjä moottorin kierrosluvun ohjauksessa.
- Ruohonleikkurin turvajärjestelmiin tai turvatoimintoihin ei saa koskea, eikä niitä saa poistaa käytöstä.
- Vapauta kaikki terät ja käyttökytkimet ennen moottorin käynnistystä.

- Käynnistä moottori varovaisuutta noudattaen ja ohjeiden mukaisesti ja pidä jalkasi poissa terien ulottuvilta.
- Älä kallista ruohonleikkuria moottoria käynnistäessäsi.
- Älä käynnistä moottoria seisossasi poistokourun edessä.
- Älä pane käsiäsi tai jalkojasi pyörivien osien alle tai lähelle. Jätä poistoaukko aina esteettömäksi.
- Älä nosta tai kuljeta ruohonleikkuria moottorin käydessä.
- Pysäytä moottori ja irrota sytytystulpan johto, varmista, että kaikki liikkuvat osat ovat täysin pysähtyneet ja irrota mahdollinen avain seuraavissa tilanteissa:
 - ennen tukkeumien selvittämistä tai kourun puhdistamista
 - ennen ruohonleikkurin tarkastamista, puhdistamista tai kunnossapitoa
 - laitteen osuttua vierasesineeseen. Tarkasta ruohonleikkuri vaurioiden varalta ja korjaa mahdolliset viat, ennen kuin käynnistät sen uudelleen
 - jos ruohonleikkuri alkaa tärinä epänormaalisti (tutki heti tärinän syy).
- Pysäytä moottori ja irrota sytytystulpan johto, varmista, että kaikki liikkuvat osat ovat täysin pysähtyneet ja irrota mahdollinen avain seuraavissa tilanteissa:
 - aina, kun poistut ruohonleikkurin luota
 - ennen tankkausta.
- Vähennä kaasua moottoria pysäyttäessäsi. Jos moottorissa on sulkuventtiili, sulje polttoaineen syöttö, kun lopetat leikkaamisen.
- Käytä ruohonleikkuria ainoastaan sen suunniteltuun käyttötarkoitukseen eli nurmikon leikkaamiseen ja leikatun ruohon keräämiseen. Muunlainen käyttö voi olla vaarallista ja vioittaa laitetta.

Kunnossapito ja säilytys

- Varmista leikkurin käyttöturvallinen kunto tarkistamalla, että kaikki mutterit, pultit ja ruuvit ovat tiukasti kiinni.
- Jos polttoainesäiliössä on polttoainetta, älä säilytä ruohonleikkuria tilassa, jossa höyryt voivat joutua kosketukseen avotulen tai kipinöiden kanssa.
- Anna moottorin jäähtyä, ennen kuin siirrät laitteen suljettuun varastoon; Puhdista ja huolla ruohonleikkuri ennen säilytykseen laittoa.
- Vähentääksesi tulipalon vaaraa pidä moottori, äänenvaimennin, akkutila ja polttoaineen säilytysalue puhtaana ruohosta, lehdistä ja ylimääräisestä rasvasta.
- Tarkasta ruohonkeräin säännöllisesti kulumisen ja vaurioiden varalta.
- Vaihda kuluneet tai vioittuneet osat turvallisuussyistä.
- Jos polttoainesäiliö on tarpeen tyhjentää, tee se ulkona.
- Epäasianmukainen huolto, vaatimusten vastaisten varaosien käyttäminen tai turvalaitteiden poistaminen tai muuntaminen voi vaurioittaa ruohonleikkuria ja aiheuttaa käyttäjälle vakavan vamman.
- Käytä vain valmistajan suosittelemia teriä ja varaosia. Muiden kuin alkuperäisten osien käyttäminen voi vaurioittaa konetta ja aiheuttaa käyttäjälle vamman. Pidä ruohonleikkuri hyvässä toimintakunnossa.
- Ota yhteys huoltooliikkeeseen, jos terän pysäytyslaite ei toimi.

Kuljetus ja käsittely

- Muista seuraavat seikat aina, kun käsittelet, nostat, kuljetat tai kallistat laitetta:
 - Käytä tukevia työkäsineitä;
 - Tartu laitteeseen kohdista, joista saa tukevan otteen, ja ota huomioon laitteen paino sekä painon jakautuminen;
 - Käytä apuna riittävän montaa henkilöä laitteen paino ja laitteen tai säilytyspaikan ominaisuudet huomioon ottaen.
- Kiinnitä laite kuljetuksen ajaksi tukevasti köysin tai ketjuin.



VAROITUS: Älä koske pyörivään terään.



VAROITUS: Tankkaa hyvin tuuletetussa tilassa moottorin ollessa pysäytettynä.

3. OSIEN KUVAUS (kuva 1)

Mukaan lukien

A: Sytytystulppa-avain

4. TEKNISET TIEDOT

| Malli | PLM5600N2 |
|----------------------------|-------------------------------|
| Moottorin tyyppi | B&S 675EXi -sarja, ReadyStart |
| Itsevetävä | Kyllä |
| Moottorin tilavuus | 163 cm ³ |
| Nimellisteho | 2,6 kW |
| Terän leveys | 560 mm |
| Nimellisa nopeus | 2 800/min |
| Polttoainesäiliön tilavuus | 1,0 L |
| Öljysäiliön tilavuus | 0,47 L |
| Ruohonkeräimen tilavuus | 70 L |
| Nettopaino | 37,2 kg |
| Korkeuden säätö | 25–70 mm, 8 säätöä |

| Malli | PLM5600N2 |
|---|---|
| Taattu äänenpainetaso käyttäjän kohdalla (standardien EN ISO 5395-1 liite F, EN ISO 5395-2 ja EN ISO 4871 mukaan) | 88,5 dB (A) (K=3 dB (A)) |
| Mitattu äänitehotaso Taattu äänitehotaso (direktiivin 2000/14/EY mukaisesti) | 96,3 dB (A) K=1,86 dB (A) 98 dB (A) |
| Tärinä (standardien EN ISO 5395-1 liite G ja EN ISO 5395-2 mukaan) | 7,90 m/s ² K=1,5 m/s ² |

5. KOKOAMINEN

5-1 TAITTOKAHVAN KIINNITTÄMINEN

1. Kiinnitä alempi käsikahva kahvan kiinnikkeeseen pultilla, aluslevyllä ja lukitusnupilla. (kuva 2, kuva 3)

2. Kytke ylempi ja alempi kahva toisiinsa lukitusnupilla. **(kuva 4, kuva 5)**
3. Vedä vaijeri alemman kahvan varren keskiosassa olevan reiän vierestä. Kiinnitä vaijeri pitimellä ja varmista, että se kiinnittyy kahvan ulkosivulle. **(kuva 6)** Muussa tapauksessa johto voi joutua puristuksiin takakannta avattaessa/suljettaessa.

5-2 KAHVOJEN SÄÄTÄMINEN SOPIVALLE KORKEUDELLE

1. Kierrä alemman kahvan lukitusnuppi auki.
2. Säädä korkeus kääntämällä alemmaa kahvaa ylös- tai alaspäin. Tämänäyttöpissessä ruohonleikkurissa on valittavissa kolme korkeusasetusta. Asennossa 1 alemman kahvan etäisyys maanpinnasta on suurin, asennossa 3 se on pienin. **(kuva 7)**
3. Kun olet säätänyt korkeuden sopivaksi, kiinnitä alempi kahva paikalleen lukitusnupilla. **(kuva 8)**

5-3 RUOHONKERÄIMEN ASENTAMINEN JA IRROTTAMINEN

1. Kiinnitys: Nosta takakannta ja kiinnitä ruohonkeräin leikkurin taakse. **(kuva 9, kuva 10)**
2. Irrotus: Tartu takakannteen, nosta se ylös ja irrota sitten ruohonkeräin.

5-4 KÄYNNISTINKAHVA

Siirrä käynnistinkahva moottorista naruohjaimen. **(kuva 11)**

5-5 LEIKKAUSKORKEUS

Paina vipu irti säätölovesta. Säädä korkeutta siirtämällä vipua eteen- tai taaksepäin. **(kuva 12, ks. myös kohta 7-9)**

6. TOIMINTA

Nämä ruohonleikkurit voi säätää toimimaan halutulla tavalla:

takakeräimellä varustetusta ruoholeikkurista

1. silppuavaksi ruohonleikkuriksi tai
 2. sivulle poistavaksi ruoholeikkuriksi.
- Mitä silppuaminen tarkoittaa?

Silppuaminen tai bioleikkuu tarkoittaa, että leikattu ruoho hienonnetaan silpuksi, joka palautetaan takaisin nurmikolle luonnonmukaiseksi ravinteeksi.

Vihjeitä silppuamiseen:

- Lyhennä nurmikkoa enintään 2 cm (6 cm:n korkuisesta 4 cm:n korkuiseksi).
- Käytä terävää leikkuuterää.
- Älä leikkaa märkää nurmikkoa.
- Aseta moottorin enimmäiskierrosnopeus.
- Etene normaalilla työskentelynopeudella.
- Puhdista silppuamiskiihiä, kotelon sisäpuoli ja leikkuuterä säännöllisin väliajoin.

Käytön aloittaminen

6-1 Leikkurin säätäminen silppuavaksi



VAROITUS: Moottorin pitää olla sammutettuna ja leikkuuterän pysähdyksissä.

1. Nosta takakansi ja irrota ruohonkeräin.
2. Työnnä silppuamiskiihiä koteloon. Lukitse silppuamiskiihiä painikkeella kotelossa olevaan aukkoon. **(kuva 13, kuva 14)**
3. Laske takakansi uudelleen alas. **(kuva 15)**
4. Nosta sivupoistoaukon läppä ja irrota sivupoistoaukko.

6-2 Säätäminen sivulta poistavaksi leikkuriksi



Vain kun moottori ja leikkuuterä ovat pysähdyksissä!

1. Nosta takakansi ja irrota ruohonkeräin.
2. Työnnä silppuamiskiihiä koteloon. Lukitse silppuamiskiihiä painikkeella kotelossa olevaan aukkoon.
3. Nosta sivupoistoaukon läppä. **(kuva 16)**
4. Kiinnitä sivupoisto-ohjain sivupoistoaukon läpässä olevaan kiinnitystappiin. **(kuva 17)**
5. Laske sivupoistoaukon läppä alas. Läppä on sivupoistoaukon päällä. **(kuva 18)**

6-3 Leikkaaminen ruohonkeräintä käyttäen



VAROITUS: Vain kun moottori ja leikkuuterä ovat pysähdyksissä.

Jos haluat leikata ruohoa käyttäen ruohonkeräintä, irrota silppuamiskiihiä ja sivupoistoaukko ja kiinnitä ruohonkeräin.

1. Poista silppuamiskiihiä.
 - Nosta takakansi ja irrota silppuamiskiihiä.
2. Sivulle poistavan poistokourun irrotus.
 - Nosta sivuläppää ja irrota sivupoistokouru.
 - Sivuläppä sulkee kotelon poistoaukon automaattisesti jousivoiman avulla.
 - Puhdista sivuläppä ja poistoaukko säännöllisesti ruohonjämistä ja tarttuneesta liasta.
3. Asenna ruohonkeräin.
 - Nosta takakannta ja kiinnitä ruohonkeräin leikkurin taakse.

7. KÄYTTÖ

7-1 ENNEN KÄYNNISTYSTÄ

Lisää polttoainetta ja öljyä ruohonleikkurin mukana toimitettavan erillisen moottorioppaan ohjeiden mukaisesti. Lue ohjeet huolellisesti. **(kuva 19, kuva 20, kuva 21)**




VAROITUS: Bensiini on erittäin helposti syttyvää.

Säilytä polttoaine tarkoitukseen suunnitelluissa astioissa. Tankkaa aina ulkoilmassa ennen moottorin käynnistämistä äläkä tupakoi tankkauksen tai polttoaineen käsittelyn aikana.

Älä koskaan avaa polttoainesäiliön korkkia tai lisää polttoainetta, kun moottori käy tai on vielä kuuma. Jos bensiiniä läikkyä, älä yritä käynnistää moottoria vaan siirrä kone pois läikymisalueelta ja vältä syttymislähteiden tuomista sen lähistölle, kunnes bensiinihöyryt ovat haihtuneet.


Sulje polttoainesäiliöiden ja -astioiden korkit huolellisesti. Tyhjennä polttoainesäiliö, ennen kuin kallistat ruohonleikkuria terän huoltoa tai öljynvaihtoa varten.


 **VAROITUS:** Älä koskaan täytä polttoainesäiliötä sisätiloissa, jos moottori käy tai ei ole käytön jälkeen jäähtynyt ainakin 15 minuutin ajan.


7-2 MOOTTORIN KÄYNNISTÄMINEN JA TERÄN KYTKEMINEN TOIMINTAAN

1. Sytytystulpan päässä on kuminen hattu. Varmista, että sytytystulpan johdon päässä (kumihatun sisällä) oleva metallilenkki on tukevasti kiinni sytytystulpan metallikärjessä.
2. Jos moottori on käynnistettäessä kylmä tai lämmin, käännä kaasu-kuristinvipu mihin tahansa kohtaan asennon "☞" ja asennon "☜" välillä. Käytettäessä käännä kaasu-kuristinvipu asentoon "☞". (Kuva 22)
3. Seiso ruohonleikkurin takana, tartu jarrukahvaan ja purista sitä ylempää kahvaa vasten **kuvassa 23** esitetyllä tavalla.
4. Tartu käynnistinkahvaan **kuvassa 23** esitetyllä tavalla ja vedä siitä voimakkaasti. Palauta se hitaasti naruohjaimen moottorin käynnistettyä.

Vapauta jarrukahva, kun haluat pysäyttää moottorin ja terän.


 Käynnistä moottori varovaisuutta noudattaen ja ohjeiden mukaisesti ja pidä jalkasi poissa terän ulottuvilta.


 Älä kallista ruohonleikkuria moottoria käynnistäessäsi. Käynnistä ruohonleikkuri tasaisella alustalla, jossa ei ole korkeaa ruohoa tai muita esteitä.


 Pidä kädet ja jalat loitolla pyörivistä osista. Älä seiso poistokourun edessä, kun käynnistät moottoria.

7-3 LAITTEEN KÄYTTÄMINEN


Purista jarrukahvaa käytön aikana tiukasti molemmiin käsiin.

 **Huomautus:** Kun jarrukahva vapautetaan käytön aikana, moottori pysähtyy, mikä lopettaa ruohonleikkurin toiminnan.

 **Varoitus:** Ruohonleikkurin tahattomien käynnistymisten välttämiseksi se on varustettu moottorijarrulla, joka täytyy vetää taaksepäin ennen moottorin käynnistämistä. Kun moottorin käyttövipu vapautetaan, sen tulee palautua alkusasentoonsa, jolloin moottori automaattisesti sammuu.

 **Huomautus:** Moottorijarru (jarrukahva): Käytä vipua moottorin pysäyttämiseen. Kun vapautat vivun, moottori ja terä pysähtyvät automaattisesti. Kun leikkaat ruohoa, pidä vipua työskentelyasennossa. Ennen kuin aloitat ruohonleikkaamisen, tarkista useita kertoja, että käynnistys-/pysäytysvipu toimii kunnolla. Varmista, että käynnistysvaijeri toimii kunnolla (ts. ei jää kiinni tai taitu millään tavalla).

7-4 MOOTTORIN PYSÄYTTÄMINEN

 **HUOMIO:** Terä jatkaa pyörimistä muutaman sekunnin ajan moottorin pysäyttämisen jälkeen.


1. Vapauta jarrukahva, kun haluat pysäyttää moottorin ja terän. (kuva 24)
2. Irrota ja maadoita sytytystulpan johto erillisessä moottorioppaassa annettujen ohjeiden mukaisesti, jotta ruohonleikkuri ei pääse käynnistymään vahingossa, kun se jätetään ilman valvontaa.

7-5 AUTOMAATTIAJON LIITÄNTÄ

Ruohonleikkurissa on nopeudensäätöjärjestelmä, jossa on kolme nopeutta välillä 3,0–4,5 km/h. Asento "☞": hitain asento, asento "☜": nopein asento. (kuva 25)

Noudata seuraavia ohjeita:

1. Vapauta itsevedon säätökahva ja odota, että ruohonleikkuri pysähtyy.
2. Säädä nopeus haluamaksesi.
3. Jatka ruohonleikkuaa puristamalla itsevedon säätökahvaa. (kuva 26)

 **HUOMIO:** Tämä ruohonleikkuri on suunniteltu normaalin, korkeintaan 250 mm:n korkuisen nurmikon leikkuuseen. Älä yritä leikata normaalia pitempää mäkää tai kuivaa ruohoa (esim. laidunta) tai kuivia lehtikasvoja. Leikkuujäte voi kerääntyä ruohonleikkurin koteloon tai joutua kosketuksiin pakoputken kanssa, josta aiheutuu tulipalovaara.

7-6 OHJEITA RUOHON LEIKKAAMISEEN

Poista irtoroskat nurmikolta. Varmista, että nurmikolla ei ole kiviä, oksia, johtoja ja muita vierasesineitä, jotka voivat vahingossa sinkoutua ruohonleikkurista mihin tahansa suuntaan ja aiheuttaa vakavan henkilö- tai omaisuusvahingon. Älä leikkaa mäkää nurmikkoa. Jos ruoho on mäkää, se tarttuu helposti kotelon alle ja estää ruohon tehokkaan leikkaamisen. Leikkaa enintään kolmasosa nurmikon pituudesta. Suositeltu leikkauskorkeus on enintään kolmasosa ruohon pituudesta. Nopeutta on tarpeen säätää siten, että silputtu ruoho lieviä tasaisesti nurmikolle. Jos ruoho on hyvin paksua, voi olla tarpeen käyttää pientä nopeutta, jotta leikkausjälki on siisti. Pitkää nurmikkoa leikattaessa voi olla tarpeen tehdä kaksi leikkauskierrosta siten, että jälkimmäisellä kierroksella lasketaan terää edelleen 1/3 alemmas ja mahdollisesti käytetään toisenlaista leikkauskuviota. Kun kukin kierroksista menee hieman päällekkäin edellisen kanssa, nurmikolle mahdollisesti

jäänyt leikattu ruoho silppuuntuu siististi pois. Ruohonleikkuria on aina syytä käyttää täydellä kaasulla. Tällä varmistetaan hyvä leikkausjälki ja tehokas leikkaaminen. Puhdistaa kotelon alapuoli. Muista puhdistaa leikkuukotelon alapuoli jokaisen käyttökerran jälkeen, jotta sinne ei kerry ruohoa. Kertynyt ruoho estää tehokkaasti silppuamisen. Lehtien silppuaminen Lehtien silppuaminen voi olla hyväksi nurmikolle. Varmista lehtiä silputessasi, että ne ovat kuivia ja että niitä ei ole nurmikolla liian paksuna kerroksena. Älä odota kaikkien lehtien putoamista maahan, ennen kuin aloitat silppuamisen.



VAROITUS: Pysäytä moottori, jos leikkuri osuu vierasesineeseen. Irrota sytytystulpan johto, tarkasta ruohonleikkuri huolellisesti vaurioiden varalta ja korjaa mahdolliset vauriot ennen ruohonleikkurin käynnistämistä uudelleen. Huomattava käytönaikainen tärinä on merkki vauriosta. Ruohonleikkuri on tällöin tarkastettava ja korjattava viipymättä.

7-7 RUOHONKERÄIN

Takakannessa on läpinäkyvä ikkuna, jonka kautta voit tarkistaa ruohon määrän ruohonkeräimessä. Jos ruohonkeräin on täynnä ruohoa, se on tyhjennettävä ja puhdistettava. Varmista, että ruohonkeräin on puhdas ja ettei sen verkko ole tukkeutunut. **(kuva 27)**

7-8 KOTELO

Ruohonleikkurin kotelon alapuoli on syytä puhdistaa jokaisen käyttökerran jälkeen, jotta sinne ei pääse kertymään paakkuuntunutta ruohoa, lehtiä, likaa tai muuta leikkuujätettä. Kertynyt leikkuujäte voi altistaa ruohonleikkurin ruosteelle ja korroosiolle sekä estää tehokkaan silppuamisen. Kotelo puhdistetaan kallistamalla ruohonleikkuria ja kaapimalla se sitten puhtaaksi sopivalla välineellä (varmistaa, että sytytystulpan johto on irrotettu).

7-9 LEIKKAUSKORKEUDEN SÄÄTÖ



HUOMIO: Älä koskaan tee ruohonleikkuriin minkäänlaisia säätöjä, ennen kuin moottori on pysäytetty ja sytytystulpan johto irrotettu.



HUOMIO: Pysäytä moottori ja irrota sytytystulpan johto, ennen kuin muutat leikkauskorkeutta.

Ruohonleikkurissa on korkeudensäätökahva, jolla voit valita kahdeksan eri leikkauskorkeutta.

1. Pysäytä moottori ja irrota sytytystulpan johto ennen leikkauskorkeuden muuttamista.
2. Korkeudensäätökahvalla voit valita kahdeksan eri leikkauskorkeutta.

Muuta leikkauskorkeutta puristamalla säätökahvaa pyörää kohti ja siirtämällä kahvaa sitten ylös tai alas haluamaasi leikkauskorkeuteen.

Kaikki pyörät säätävät samaan leikkauskorkeuteen. **(kuva 28)**

8. KUNNOSSAPITO

SYTYTYSTULPPA

Käytä vain alkuperäisiä vaihtosytytystulppia. Sytytystulppa on syytä vaihtaa 100 käyttötunnin välein.

JARRUPALAT

Anna huoltoliikkeen tarkistaa ja/tai vaihtaa moottorin jarrupalat säännöllisin väliajoin. Vaihdossa tulee käyttää vain alkuperäisiä osia.

9. VOITELU



HUOMIO: IRROTA SYTYTYSTULPPA ENNEN HUOLTOA.

1. PYÖRÄT – Voitele jokaisen pyörän kuulalaakerit ohuella öljyllä vähintään kerran kesän aikana.
2. MOOTTORIT – Noudata moottorioppaassa annettuja voiteluohjeita.

10. PUHDISTUS



HUOMIO: Älä suihkuta moottoria vedellä. Vesi voi vioittaa moottoria ja polttoainejärjestelmää.

1. Pyyhi kotelo kuivalla kankaalla.
2. Kallista ruohonleikkuria siten, että sytytystulppa osoittaa ylöspäin, ja suihkuta vettä kotelon alle.

10-1 MOOTTORIN ILMANPUHDISTIN



HUOMIO: Varmista, ettei lika tai pöly pääse tukkimaan ilmanpuhdistimen vaahtoelementtiä. Moottorin ilmanpuhdistin pitää huoltaa (puhdistaa) 25 normaalin käyttötunnin jälkeen. Vaahtoelementti pitää puhdistaa säännöllisin väliajoin, jos ruohonleikkuria käytetään kuivassa ja pölyisessä ympäristössä.

ILMANPUHDISTIMEN PUHDISTUS

1. Nosta suodatinkuvun korvake ylös. **(Kuva 29)**
2. Irrota ilmanpuhdistimen kotelo.
3. Pese suodatinelementti saippuavedellä. **ÄLÄ KÄYTTÄ BENSIIINIÄ!**
4. Anna suodatinelementin kuivua vapaasti.
5. Tiputa vaahtosuodattimeen muutama pisara SAE30-öljyä ja purista tiukasti niin, että ylimääräinen öljy puristuu pois.
6. Asenna suodatin takaisin.
7. Sulje suodatimen kansi.

HUOMAUTUS: Vaihda suodatin, jos se on hankautunut, repeytynyt tai vioittunut tai jos sitä ei voi puhdistaa.

10-2 LEIKKUUTERÄ



HUOMIO: Irrota ja maadoita sytytystulpan johto ennen leikkuuterän huoltamista, jotta moottori ei pääse käynnistymään vahingossa. Suojaa kätesi tarttumalla leikkuuteriin tukevin suojakäsinein tai rievulla. Kallista leikkuria erillisessä moottorioppaassa annettujen ohjeiden mukaisesti. Irrota kuusiopultti ja aluslevy, jotka tukevat terän ja terän sovittimen moottorin kampiakselia vasten. Irrota terä ja sovitin kampiakselista.



VAROITUS: Tarkasta terän sovitin säännöllisin väliajoin ja varsinkin silloin, kun ruohonleikkuri osuu vierasesineeseen. Vaihda tarvittaessa. Terän pitää olla terävä, jotta leikkuujälki olisi paras mahdollinen. Terän voi teroittaa irrottamalla sen ja hiomalla tai viilaamalla leikkusuärmää mahdollisimman tarkoin alkuperäistä viistettä seuraten. Leikkusuärmät on tärkeää hioa tasaisesti, jotta terä pysyy tasapainossa. Jos terä jää epätasapainoiseksi, siitä aiheutuva tärinä vahingoittaa lopulta moottoria ja ruohonleikkuria. Varmista terän tasapaino huolellisesti teroittamisen jälkeen. Tasapainon voi tarkistaa asettamalla terän pyöreävirtaisen ruuvitalan päälle. Hio metallia pois painavasta päästä, kunnes terä on tasapainossa. **(kuva 30)** Voitele moottorin kampiakseli ja terän sovittimen sisäpinta ohuella öljyllä, ennen kuin kiinnität terän ja terän sovittimen takaisin paikalleen. Asenna terän sovitin paikalleen kampiakseliin. Katso **kuva 30**. Käännä terä asentoon, jossa osanumero on poispäin sovittimesta. Sovita aluslevy terän päälle ja pane kuusiopultti paikalleen. Kiristä kuusiopultti alla mainittuun tiukkuuteen.

10-3 TERÄN KIRISTYSMOMENTTI

Keskipultti 40–50 Nm laitteen luotettavan ja turvallisen toiminnan takaamiseksi. KAIKKIEN pulttien ja mutterien kiristys pitää tarkistaa säännöllisin väliajoin. Terä kuuluu alkuperäisestä muodostaan, kun ruohonleikkuria käytetään pitkään varsinkin hiikkaisessa ympäristössä. Tällöin leikkuuteho huononee ja terä on syytä vaihtaa. Käytä vain hyväksytyt valmistajan varaosaterää. Valmistaja ei vastaa väärin tasapainotetun terän aiheuttamista vaurioista. Tarkista terää vaihtaessasi terän alkuperäinen tyyppi, joka on merkitty terään (MAKITA 263001171). (Ota terää tilatessasi yhteyttä paikalliseen jälleenmyyjään tai meihin. Katso lisätietoja kansilehdeltä.)

10-4 MOOTTORI

Katso moottorin huolto-ohjeet erillisestä moottorioppaasta. Lisää moottoriöljyä ruohonleikkurin mukana toimitettavan erillisen moottorioppaan mukaisesti. Lue ohjeet huolellisesti ja toimi niiden mukaisesti. Huolla ilmanpuhdistin normaalioloissa erillisen moottorioppaan ohjeiden mukaisesti. Puhdista se muutaman tunnin välein, jos ympäristössä on runsaasti pölyä. Moottorin alentunut teho ja vuotaminen on yleensä merkki siitä, että ilmanpuhdistin on tarpeen puhdistaa. Huolla ilmanpuhdistin ruohonleikkurin mukana toimitettavan erillisen moottorioppaan mukaisesti.

Sytytystulppa on syytä puhdistaa ja kärkiväli säätää kerran kesässä. Sytytystulpan vaihtaminen on suositeltavaa kesän alussa. Katso sytytystulpan oikea tyyppi ja kärkiväli moottorioppaasta. Puhdista moottori säännöllisesti kankaalla tai harjalla. Pidä jäähdytysjärjestelmä (tuulettimen runko) puhtaana, jotta ilma pääsee kiertämään vapaasti. Tämä on tärkeää moottorin tehon ja käyttöiän kannalta. Poista ruoho, lika ja palavat roskat äänenvaimentimen läheisyydestä.

11. SÄILYTYS (TALVIAIKANA)

Toimi seuraavasti, kun viet ruohonleikkurin talvivarastoon.

1. Tyhjennä polttoainesäiliö kauden viimeisen leikkuukerran jälkeen.
 - a) Tyhjennä polttoainesäiliö imupumpulla.



HUOMIO: Älä tyhjennä polttoainesäiliötä suljetussa tilassa, avotulen lähellä jne. Älä tupakoi tyhjennyksen aikana! Bensiinihöyryt voivat aiheuttaa räjähdyksen tai tulipalon.

- b) Käynnistä moottori ja anna sen käydä, kunnes jäljellä oleva polttoaine on kulunut loppuun ja moottori sammuu.
 - c) irrota sytytystulppa. Kaada öljykannulla palotilaan noin 20 ml öljyä. Pyöritä moottoria käynnistysmoottorilla, jotta öljy leviää tasaisesti palotilaan. Asenna sytytystulppa takaisin paikalleen.
2. Puhdista ja voitele ruohonleikkuri huolellisesti VOITELU-luvussa kerrotulla tavalla.
 3. Voitele leikkuuterä kevyesti ruostumisen estämiseksi.
 4. Säilytä ruohonleikkuria kuivassa, puhtaassa ja pakkaselta suojatussa paikassa asiattomien henkilöiden ulottumattomissa.



HUOMIO: Anna moottorin jäähtyä täysin ennen ruohonleikkurin varastoimista.



HUOMAUTUS:

- Huomioi seuraavat seikat, jos säilytät moottorilla varustettuja laitteita huonosti tuulettussa varastossa tai vastaavassa.
- Huolehdi asianmukaisesta ruostesuojauksesta. Voitele laite ja erityisesti sen vaijerit ja liikkuvat osat ohuella öljyllä tai silikonilla.
- Varo, että vaijerit eivät taivu tai taitu.
- Jos käynnistinnaru irtoaa kahvan naruohjaimesta, irrota ja maadoita sytytystulpan johto, paina teränsäätökahvasta ja vedä käynnistinnaru hitaasti ulos moottorista. Sovita käynnistinnaru sitten takaisin kahvan naruohjaimene.

Kuljetus

Sammuta moottori ja anna moottorin jäähtyä. Irrota sitten sytytystulpan johto ja tyhjennä polttoainesäiliö moottorioppaassa annettujen ohjeiden mukaisesti. Varo taivuttamasta tai vahingoittamasta leikkuuterää, kun työnnät ruohonleikkuria esteiden yli.

12. VIANMÄÄRITYS

| ONGELMA | TODENNÄKÖINEN SYY | KORJAUSTOIMI |
|--|---|--|
| Moottori ei käynnisty. | Kuristin-kaasuvipu ei ole oikeassa asennossa. | Siirrä kaasuvipu oikeaan asentoon. |
| | Polttoainesäiliö on tyhjä. | Täytä polttoainesäiliö. Katso lisätietoja moottorin käyttöoppaasta. |
| | Ilmanpuhdistinelementti on likainen. | Puhdista ilmanpuhdistinelementti. Katso lisätietoja moottorin käyttöoppaasta. |
| | Sytytystulppa on löysällä. | Kiristä sytytystulppa 25–30 Nm:n tiukkuuteen. |
| | Sytytystulpan johto on löysällä tai irti tulpasta. | Kiinnitä sytytystulpan johto sytytystulppaan. |
| | Sytytystulpan kärkiväli on väärä. | Säädä elektrodien kärkiväliksi 0,7–0,8 mm. |
| | Sytytystulppa on viallinen. | Vaihda tilalle uusi sytytystulppa, jonka kärkiväli on säädetty oikein. Katso lisätietoja moottorin käyttöoppaasta. |
| | Kaasutimeen tulee liikaa polttoainetta. | Irrota ilmanpuhdistinelementti ja vedä käynnistinnarusta yhtäjaksoisesti, kunnes kaasutin puhdistuu, ja pane ilmanpuhdistinelementti sitten takaisin paikalleen. |
| | Viallinen käynnistyslaite. | Ota yhteyttä huoltoedustajaan. |
| Moottorin käynnistäminen on hankalaa, tai sen teho laskee. | Polttoainesäiliössä on likaa, vettä tai vanhaa polttoainetta. | Tyhjennä polttoaineesta ja puhdista. Täytä polttoainesäiliö puhtaalla ja tuoreella polttoaineella. |
| | Polttoainesäiliön korkin ilma-aukko tukossa. | Puhdista tai vaihda polttoainesäiliön korkki. |
| | Ilmanpuhdistinelementti on likainen. | Puhdista ilmanpuhdistinelementti. |
| Moottorin toiminnassa on häiriöitä. | Sytytystulppa on viallinen. | Vaihda tilalle uusi sytytystulppa, jonka kärkiväli on säädetty oikein. Katso lisätietoja moottorin käyttöoppaasta. |
| | Sytytystulpan kärkiväli on väärä. | Säädä elektrodien kärkiväliksi 0,7–0,8 mm. |
| | Ilmanpuhdistinelementti on likainen. | Puhdista ilmanpuhdistinelementti. Katso lisätietoja moottorin käyttöoppaasta. |
| Moottorin tyhjäkäynti on heikkoa. | Ilmanpuhdistinelementti on likainen. | Puhdista ilmanpuhdistinelementti. Katso lisätietoja moottorin käyttöoppaasta. |
| | Moottorikotelon ilma-aukot ovat tukkeutuneet. | Poista lika aukoista. |
| | Moottorin tuulettimen rungon jäähdytysrivat ja ilmakanavat ovat tukkeutuneet. | Poista lika jäähdytysrivoista ja ilmakanavista. |
| Moottori alkaa käydä suurella nopeudella. | Sytytystulpan elektrodien kärkiväli on liian pieni. | Säädä elektrodien kärkiväliksi 0,7–0,8 mm. |
| Moottori ylikuumenee. | Jäähdytysilman virtaus on estynyt. | Poista mahdollinen lika moottorikotelon aukoista, puhaltimen rungosta ja ilmakanavista. |
| | Vääränlainen sytytystulppa. | Asenna alkuperäinen sytytystulppa ja moottorin jäähdytysrivat. |
| Ruohonleikkuri tärisee epänormaalisti. | Leikkaava osa on löysällä. | Kiristä terä. |
| | Leikkaava osa on epätasapainossa. | Tasapainota terä. |

13. YMPÄRISTÖNÄKÖKOHDAT

Jos laite on tarpeen hävittää pitkän käyttöajan jälkeen, älä laita sitä talousjätteeseen vaan hävitä se ympäristön kannalta turvallisella tavalla.

14. EY- VAATIMUSTENMUKAISUUSVAKUUTUS

Koskee vain Euroopan maita

EY-vaatimustenmukaisuusvakuutus sisältyy tämän käyttöoppaan liitteeseen A.

- | | | |
|------------------------------------|------------------------------|----------------------------|
| 1. Bremzes kontroles rokturis | 10. Sānu izvades kanāls | 19. Mulčēšanas ķītis |
| 2. Augšējais rokturis | 11. Sānu aizvars | 20. Poga |
| 3. Pašpiedziņas kontroles rokturis | 12. Pamatne | 21. Eļļas vāciņš/dzījumērs |
| 4. Jaudas svira | 13. Aizdedzes svece | 22. Maks.: augšējā robeža |
| 5. Iedarbināšanas rokturis | 14. Degvielas vāciņš | 23. Min.: apakšējā robeža |
| 6. Troses virzītājs | 15. Eļļas vāciņš | 24. Skava |
| 7. Bloķēšanas rokturis | 16. Kabeļa skava | 25. Filtra pārsegs |
| 8. Zāles uztvērējs | 17. Apakšējais rokturis | |
| 9. Augstuma regulēšanas svira | 18. Ātruma regulēšanas svira | |

**BRĪDINĀJUMS:**

Pirms sākat strādāt ar jauno ierīci savas drošības nolūkos, lūdzu, izlasiet šo rokasgrāmatu. Ja netiek ievēroti norādījumi, var gūt smagus ievainojumus. Pirms katras lietošanas reizes veltiet brīdi, lai atsvaidzinātu zināšanas par plaujmašīnu. Glabājiet šo rokasgrāmatu drošā vietā, lai tās informācija vienmēr būtu pieejama. Ja nododat šo ierīci citas personas rīcībā, pievienojiet tai arī šos ekspluatācijas norādījumus un drošības noteikumus.

Paredzētā lietošana

Šo ierīci drīkst lietot tikai tiem darba veidiem, kam tā paredzēta. Lietošana jebkādā citā veidā tiek uzskatīta par nepareizu lietošanu. Šajā gadījumā lietotājs/operators personīgi atbild par bojājumiem vai ievainojumiem, nevis ražotājs.

Benzīna zāles plaujmašīna ir paredzēta individuālai lietošanai, proti, mājās un dārzā.

Individuāli lietojot zāles plaujmašīnu, tās darbības laiks gadā nepārsniedz 50 stundas, un ierīce tiek galvenokārt lietota nelielu piemājas mauriņu un mājas/dekoratīvu dārzu uzturēšanai. Ierīce nav paredzēta sabiedrisku zālāju un sporta laukumu uzturēšanai un lauksaimniecības/mežsaimniecības darbiem.

Šī ierīce nav paredzēta lietošanai komerciālām, tirdzniecības vai rūpnieciskām vajadzībām. Mūsu garantija nav spēkā, ja ierīci lieto komerciālām, tirdzniecības vai rūpnieciskām vajadzībām, kā arī tamlīdzīgiem nolūkiem.

Ražotāja ekspluatācijas norādījumi ir jāsaglabā un jāievēro, lai nodrošinātu pareizu zāles plaujmašīnas lietošanu un apkopi. Norādījumos ir vērtīga informācija par ekspluatācijas, apkopes un apkalpošanas nosacījumiem.

Svarīgi! Tā kā lietotājam ir augsts risks gūt ievainojumus, zāles plaujmašīnu nedrīkst lietot krūmu, krūmāju vai dzīvzogu apgriešanai, klinšainu virsmu, jumta apstādījumu vai balkona mauriņa plaušanai, netīrumu un sanešu tīrīšanai (vai savākšanai) no gājēju ceļiem, koku un dzīvzogu atgriezumam sasmalcināšanai. Turklāt zāles plaujmašīnu nedrīkst lietot kā elektrisko kultivatoru, lai izlīdzinātu izciļņus, piemēram, kurmju rakumus. Drošības nolūkos zāles plaujmašīnu nedrīkst lietot kā piedziņas ierīci citiem darba instrumentiem vai instrumentu komplektiem.

1. APZĪMĒJUMI UZ IZSTRĀDĀJUMA (uz aizmugurējā pārsega)



Izlasiet lietošanas rokasgrāmatu.



Nepļūstiet tuvumā atrasties nepiederošām personām.



Lai nepieļautu ievainojumus, lietotājam jāpievērš uzmanība kāju un roku aizsardzībai.



Degviela ir viegli uzliesmojoša; neuzturieties atklātas liesmas tuvumā. Nepildiet degvielu, kamēr mašīna darbojas.



Toksiski izgarojumi — nestrādājiet iekšelpās.



Operatoram savai aizsardzībai darba laikā jālieto aizsargbrilles un ausu aizbāžņi.



Veicot remontu, izņemiet aizdedzes sveci un veiciet remontu saskaņā ar lietošanas rokasgrāmatu.



Uzmanību: Karsts dzinējs.

2. VISPĀRĒJIE DARBA DROŠĪBAS NOTEIKUMI



BRĪDINĀJUMS: Lietojot ar benzīnu darbināmas ierīces, vienmēr jāievēro drošības norādījumi, tostarp turpmāk minētie, lai mazinātu nopietnu ievainojumu un/vai iekārtas bojājumu risku. Pirms ierīces lietošanas izlasiet šos norādījumus un saglabāiet tos arī turpmākām uzziņām.



BRĪDINĀJUMS: Šī mašīna ekspluatācijas laikā rada elektromagnētisko lauku. Atsevišķos gadījumos šis lauks var ietekmēt aktīvos vai pasīvos medicīniskos implantātus. Lai samazinātu nopietnu vai nāvēģu ievainojumu risku, personām ar medicīniskiem implantātiem pirms mašīnas lietošanas mēs iesakām konsultēties ar savu ārstu un medicīnisko implantātu ražotāju.

Apmācība

- Uzmanīgi izlasiet norādījumus. Iepazīstieties ar ierīces vadības iekārtām un pareizu izmantošanu. Uzziniet, kā ātri apturēt dzinēju.
- Zāles plaujmašīnu izmantojiet tikai paredzētajam mērķim, t. i., zāles plaušanai un savākšanai. Izmantošana citiem mērķiem var būt bīstama un izraisīt mašīnas bojājumus. Nepareizas lietošanas piemēri ir šādi:
 - cilvēku, bērnu vai dzīvnieku transportēšana mašīnā;
 - mašīnas izmantošana transportēšanai;
 - mašīnas izmantošana kravas vilkšanai vai stumšanai;
 - mašīnas izmantošana lapu vai netīrumu savākšanai;
 - mašīnas izmantošana dzīvzogu griešanai vai tādas veģetācijas griešanai, kas nav zāle;
 - mašīnas izmantošana, ja to dara vairākas personas;
 - asmens izmantošanai materiāliem, kas nav zāle.
- Nepieļaujiet, ka zāles plaujmašīnu izmanto bērni vai cilvēki, kas nepārzina zāles plaujmašīnas izmantošanas norādījumus. Vietējie noteikumi var ierobežot lietotāja vecumu.
- Nekad neizmantojiet zāles plaujmašīnu:
 - ja tuvumā ir cilvēki, jo īpaši bērni, vai dzīvnieki;
 - ja operators ir lietojis zāles vai vielas, kas ietekmē reakcijas un koncentrēšanās spējas;
- Ņemiet vērā, ka operators vai lietotājs ir atbildīgs par negadījumiem vai apdraudējumu, kas radīts citiem cilvēkiem vai to īpašumam.
- Operatoram jābūt pienācīgi apmācītam ierīces lietošanā, regulēšanā un ekspluatācijā, tostarp jāpārzina aizliegtie darba veidi.

Sagatavošana

- Veicot zāles plaušanu, vienmēr valkājiet izturīgus apavus un garās bikses. Nelietojiet ierīci, ja kājās nav apavi vai valkājat atvērtas sandales.
- Rūpīgi pārbaudiet vietu, kurā izmantosiet ierīci, un aizvāciet visus priekšmetus, piemēram, akmeņus, rotaļlietas, žaģarus un metāla stieples, ko ierīce varētu izmest gaisā.

- **BRĪDINĀJUMS** — benzīns ir ļoti viegli uzliesmojošs.
 - glabājiet degvielu tai īpaši paredzētās tvertnēs;
 - uzpildiet degvielu tikai ārpus telpām un pildīšanas laikā nesmēķējiet;
 - degvielu uzpildiet pirms dzinēja iedarbināšanas. Nekādā gadījumā neņemiet degvielas tvertnes vāciņu vai neuzpildiet degvielu, kad dzinējs darbojas vai kad tas ir karsts;
 - ja degviela ir izšķakstījusies, neiedarbiniet dzinēju, bet gan pārvietojiet mašīnu prom no vietas, kur degviela ir izšķakstījusies, un neveidojiet uzliesmojošus avotus, kamēr benzīna izgarojumi nav izzuduši;
 - cieši novietojiet atpakaļ degvielas vāciņu un tvertņu vāciņus.
- Nomainiet bojātus klusinātājus.
- Pirms izmantošanas vienmēr vizuāli pārbaudiet, vai asmeņi, asmeņu bultskrūves un griešanas ierīce nav nodilusi vai bojāta. Lai saglabātu līdzsvaru, nomainiet visu bojātu asmeņu un bultskrūvju komplektu.
- Regulāri pārbaudiet, vai visas iedarbināšanas sakabes un operatora kontroleiņas pareizi darbojas.

Ekspluatācija

- Nedarbiniet dzinēju norobežotā vietā, kur var uzkrāties bīstami oglekļa monoksīda izgarojumi.
- Nelietojiet ierīci, ja esat noguris, saslimis vai atrodaties alkohola vai medikamentu ietekmē.
- Brīdinājums! Nestrādājiet ar zāles plaujmašīnu, ja ir iespējams zibens.
- Ieteicams strādāt ar ierīci ierobežotu laika posmu, lai mazinātu trokšņa un vibrācijas radīto risku.
- Ievērojiet piesardzību, strādājot ar zāles plaujmašīnu nogāzē un kraujas, bedres vai ūdenstilpnes krasta malā.
- Pļaujiet tikai dienas gaismā vai labā mākslīgā apgaismojumā.
- Kur iespējams, nelietojiet aprīkojumu mitrā zālē.
- Strādājot nogāzē, nodrošiniet stabili kāju atbalstu.
- Pārvietojieties staigājot, nevis skrienot.
- Izmantojot grozāmu mašīnu ar riteņiem, pļaujiet slīpi pāri nogāzei — nekad neplaujiet uz augšu vai uz leju.
- Mainot virzienu nogāzēs, esiet īpaši uzmanīgi.
- Neplaujiet pārāk stāvas nogāzes.
- Esiet īpaši uzmanīgi, apgriežot zāles plaujmašīnu vai velkot to pret sevi.
- Apturiet asmeni/-ņus, ja zāles plaujmašīna ir jāsagāž, pārvietojot vai šķērsojot segumu, kas nav zāle, kā arī pārvietojot zāles plaujmašīnu uz plaušanas vietu un no tās.
- Nekad nelietojiet zāles plaujmašīnu ar bojātiem aizsargiem, vai ja nav uzstādītas drošības ierīces, piemēram, deflektors un/vai zāles uztvērējs.
- Uzmanību! Zāles plaujmašīnu nedrīkst ekspluatēt, ja tai nav uzstādīts zāles uztvērējs vai automātiski aizverams izvades atveres aizsargs.
- Nomainiet dzinēja uzstādījumus vai nedarbiniet to ar pārlieku lieliem apgriezieniem.
- Neizmāniet vai nepārveidojiet izolētu dzinēja apgriezienu vadības regulējumu.
- Nedrīkst izslēgt vai pārveidot zāles plaujmašīnas drošības sistēmas vai funkcijas.
- Pirms dzinēja iedarbināšanas atbrīvojiet visas asmens un piedziņas uznavas.

- Dzinēju iedarbiniet uzmanīgi, saskaņā ar norādījumiem un nestāviet asmens/-ņu tuvumā.
- Iedarbinot dzinēju, nesasveriet zāles plaujumašīnu.
- Neiedarbiniet dzinēju, ja stāvat izvades teknes tuvumā.
- Nelieciet plaukstas vai pēdas rotējošo detaļu tuvumā vai zem tām. Nekad nestāviet izvades atveres tuvumā.
- Nekad neceliet un nenesiet zāles plaujumašīnu, ja darbojas dzinējs.
- Apturiet dzinēju un atvienojiet aizdedzes sveces vadu; pārbaudiet, vai visas kustīgās daļas ir pilnībā apstājušās un, ja ierīkota atslēga, to noņemiet:
 - pirms nosprostojumu tīrīšanas vai izvades teknes tīrīšanas;
 - pirms zāles plaujumašīnas pārbaudīšanas, tīrīšanas vai strādāšanas ar to;
 - pēc atsišanās pret kādu priekšmetu. Pārbaudiet, vai zāles plaujumašīnai nav bojājumu un veiciet remontu pirms zāles plaujumašīnas atkārtotas iedarbināšanas un lietošanas;
 - ja zāles plaujumašīna sāk neparasti vibrēt (nekavējoties pārbaudiet).
- Apturiet dzinēju un atvienojiet aizdedzes sveces vadu; pārbaudiet, vai visas kustīgās daļas ir pilnībā apstājušās un, ja ierīkota atslēga, to noņemiet:
 - ja atstājat zāles plaujumašīnu bez uzraudzības,
 - pirms degvielas uzpildes.
- Apturot dzinēju, samaziniet droseles iestatījumu un, ja dzinējs ir aprīkots ar izslēgšanas vārstu, plaušanas beigās izslēdziet degvielas padevi.
- Zāles plaujumašīnu izmantojiet tikai paredzētajam mērķim — zāles plaušanai un savākšanai. Izmantošana citiem mērķiem var būt bīstama un izraisīt mašīnas bojājumus.

Apkope un uzglabāšana

- Vienmēr cieši pieskrūvējiet visus uzgriežņus, bultskrūves un skrūves, lai nodrošinātu iekārtas drošu darba stāvokli.
- Nekad neuzglabājiet ierīci ar benzīnu tvertnē ēkā, kur izgarojumi var saskarties ar atklātu liesmu vai dzirkstelēm.
- Pirms ierīces uzglabāšanas noslēgtā vietā ļaujiet dzinējam atdzist. Pirms zāles plaujumašīnas novietošanas glabāšanā iztīriet to un veiciet tai apkopi.
- Lai mazinātu ugunsgrēka bīstamību, no dzinēja, kļusinātāja, akumulatora nodalījuma un benzīna glabāšanas vietas vienmēr iztīriet zāli, lapas vai lielus netīrumus.
- Regulāri pārbaudiet, vai zāles uztvērējs nav nodilis vai nolietojies.
- Drošības nolūkā nomainiet nodilušas vai nolietotas daļas.
- Ja ir jāizteicina degvielas tvertne, tas jādara ārpus telpām.
- Nepareizi veicot apkopi, lietojot neatbilstīgas rezerves daļas vai noņemot vai pārveidojot drošības sistēmu, var sabojāt zāles plaujumašīnu vai operators var gūt smagus ievainojumus.
- Lietojiet tikai ražotāja ieteiktos asmeņus un rezerves daļas. Lietojot neoriģinālas rezerves daļas, var sabojāt ierīci un operators var gūt ievainojumus. Zāles plaujumašīnai ir jābūt labā darba stāvoklī.
- Ja nedarbojas asmens apturēšanas ierīce, meklējiet palīdzību apkopes centrā.

Transportēšana un pārvietošana

- Kad mašīnu paredzēts pārvietot, pacelt, transportēt vai sasvērt:
 - valkājiet izturīgus darba cimdus;
 - satveriet mašīnu punktos, aiz kuriem var droši satvert, ņemot vērā mašīnas svaru un tā sadalījumu;
 - mašīnas pacelšanai izmantojiet pietiekamu cilvēku skaitu, ņemot vērā transportlīdzekļa raksturojumu vai vietu, kur mašīna jānovieto vai jāsavāc.
- Transportēšanas laikā mašīnu cieši nostipriniet ar virvēm vai ķēdēm.



BRĪDINĀJUMS: Nepieskarieties rotējošam asmenim.



BRĪDINĀJUMS: Veiciet degvielas uzpildi labi vēdinātā vietā, kad dzinējs ir izslēgts.

3. DAĻU APRAKSTS (1. att.)

Iekļauts komplektā:

A: Aizdedzes sveces uzgriežņu atslēga

4. TEHNISKIE DATI

| Modelis | PLM5600N2 |
|----------------------------|-------------------------------|
| Dzinēja tips | B&S 675EXi sērija, ReadyStart |
| Pašpiedziņas | Jā |
| Dzinēja darba tilpums | 163 cm ³ |
| Nominālā jauda | 2,6 kW |
| Asmens platums | 560 mm |
| Nominālais ātrums | 2 800/min |
| Degvielas tvertnes tilpums | 1,0 l |
| Eļļas tvertnes tilpums | 0,47 l |
| Zāles uztvērēja ietilpība | 70 l |
| Neto svars | 37,2 kg |
| Augstuma regulēšana | 25 - 70 mm, 8 stāvokļi |

| Modelis | PLM5600N2 |
|---|---|
| Skaņas spiediena līmenis lietotāja atrašanās vietā (saskaņā ar EN ISO 5395-1 F pielikumu, EN ISO 5395-2 un EN ISO 4871) | 88,5 dB (A) (K=3 dB (A)) |
| Novērtētais skaņas jaudas līmenis Garantētais skaņas jaudas līmenis (atbilstīgi 2000/14/EK) | 96,3 dB (A) K=1,86 dB (A) 98 dB (A) |
| Vibrācija (saskaņā ar EN ISO 5395-1 G pielikumu un EN ISO 5395-2) | 7,90 m/s ² K=1,5 m/s ² |

5. MONTĀŽA

5-1 SALOKĀMĀ ROKTURA SALIKŠANA

1. Ar skrūvi, starpliku un bloķēšanas rokturi piestipriniet apakšējo stieni pie roktura kronšteina. (**2. att., 3. att.**)

2. Savienojiet augšējo rokturi un apakšējo rokturi ar bloķēšanas rokturi. (4. att., 5. att.)
3. Novietojiet kabeli ap atveri apakšējā roktura ass vidusdaļā. Piestipriniet to ar kabeļa skavu tā, lai kabelis ir piestiprināts roktura ārpusē. (6. att.) Pretējā gadījumā kabelis var iesprūst, atverot/aizverot aizmugures vāku.

5-2 PIEMĒROTA ROKTURA AUGSTUMA NOREGULĒŠANA

- 1) Izskrūvējiet bloķēšanas rokturi, kas fiksē apakšējo rokturi.
- 2) Pārvietojiet apakšējo rokturi uz augšu un uz leju, lai noregulētu vajadzīgo augstumu. Šim pļaujmašīnas tipam iespējams izvēlēties vienu no 3 regulēšanas stāvokļiem; pirmajā stāvoklī apakšējais rokturis no zemes atrodas vistālāk, trešajā stāvoklī tas atrodas vistuvāk zemei. (7. att.)
- 3) Pēc vajadzīgā augstuma noregulēšanas nofiksējiet apakšējo rokturi ar bloķēšanas rokturi. (8. att.)

5-3 ZĀLES UZTVĒRĒJA PIESTIPRINĀŠANA UN NOŅEMŠANA

1. Lai uzstādītu: paceliet aizmugures vāku un piestipriniet zāles uztvērēju pie pļaujmašīnas aizmugures. (9. att., 10. att.)
2. Lai noņemtu: satveriet un paceliet aizmugures vāku un noņemiet zāles uztvērēju.

5-4 IEDARBINĀŠANAS ROKTURIS

Virziet iedarbināšanas rokturi no dzinēja pie troses virzītāja. (11. att.)

5-5 PĻAUŠANAS DZIĻUMS

Lai atbrīvotu sviru no rāmja, nospiediet to uz ārpusi. Virziet sviru uz priekšu vai aizmuguri, lai noregulētu augstumu. (12. att., kā arī skatiet 7.–9. punktu.)

6. FUNKCIJA

Zāles pļaujmašīnas sākotnējo funkciju var pārveidot uz citu funkciju atkarībā no izmantošanas mērķa.

Zāles pļaujmašīnu ar aizmugures savākšanu iespējams pārveidot uz:

1. pļaujmašīnu ar mulčēšanu vai
2. pļaujmašīnu ar sānu izvadi.

Kas ir mulčēšana?

Veicot mulčēšanu, zāle vispirms tiek nopļauta, pēc tam sasmalcināta un kā dabiskais mēslojums iestrādāta atpakaļ zālienā.

Padomi pļaušanai ar mulčēšanu:

- regulāri pļaujiet maks. 2 cm no 6 cm līdz 4 cm garas zāles;
- izmantojiet asu griešanas nazi;
- nepļaujiet mitru zāli;
- lestatiet maksimālos dzinēja apgriezienus.
- pļaujiet darba ātrumā;
- regulāri tīriet mulčēšanas ķīli, korpusa iekšpusi un pļaušanas asmeni.

Ekspluatācijas sākšana

6-1 Pārveidošana par pļaujmašīnu ar mulčēšanu



BRĪDINĀJUMS: Tikai ar izslēgtu dzinēju un nekustīgu asmeni.

1. Paceliet aizmugures vāku un noņemiet zāles uztvērēju.
2. Ievietojiet mulčēšanas ķīli pamatnē. Ar pogu nostipriniet mulčēšanas ķīli pamatnes atvērumā. (13. att., 14. att.)
3. Aiztaisiet aizmugures vāku. (15. att.)
4. Paceliet sānu aizvaru un noņemiet sānu izvades kanālu.

6-2 Pārveidošana par pļaujmašīnu ar sānu izvadi



BRĪDINĀJUMS: Tikai ar izslēgtu dzinēju un nekustīgu asmeni!

1. Paceliet aizmugures vāku un noņemiet zāles uztvērēju.
2. Ievietojiet mulčēšanas ķīli pamatnē. Ar pogu nostipriniet mulčēšanas ķīli pamatnes atvērumā.
3. Paceliet sānu aizvaru sānu izvadei. (16. att.)
4. Piestipriniet sānu izvades kanālu sānu izvadei pie sānu aizvara atbalsta tapas. (17. att.)
5. Nolaidiet sānu aizvaru tā, lai tas atrodas uz sānu izvades kanāla. (18. att.)

6-3 Pļaušana ar zāles uztvērēju



BRĪDINĀJUMS: Tikai ar izslēgtu dzinēju un nekustīgu asmeni.

Lai pļautu ar zāles uztvērēju, noņemiet mulčēšanas ķīli un sānu izvades kanālu sānu izvadei, kā arī piestipriniet zāles uztvērēju.

1. Mulčēšanas ķīļa noņemšana.
 - Paceliet aizmugures vāku un noņemiet mulčēšanas ķīli.
2. Sānu izvades kanāla noņemšana:
 - Paceliet sānu aizvaru un noņemiet sānu izvades kanālu.
 - Sānu aizvars automātiski ar atsperes mehānismu aizver izvades atveri korpusā.
 - No sānu aizvara un izvades atveres regulāri iztīriet zāles atliekas un pieķērušos nētrumus.
3. Zāles uztvērēja piestiprināšana.
 - Paceliet aizmugures vāku un piestipriniet zāles uztvērēju pie pļaujmašīnas aizmugures.

7. EKSPLUATĀCIJAS NORĀDĪJUMI

7-1 PIRMS DARBA SĀKŠANAS

Piepildiet pļaujmašīnu ar benzīnu un eļļu, kā norādīts atsevišķā dzinēja rokasgrāmatā, kas pievienota pļaujmašīnai. Rūpīgi izlasiet norādījumus. (19. att., 20. att., 21. att.)



BRĪDINĀJUMS: Benzīns ir ļoti viegli uzliesmojošs. Uzglabājiet degvielu tai īpaši paredzētās tvertnēs. Uzpildiet degvielu tikai ārpus telpām, pirms dzinēja iedarbināšanas; pildot vai pārvietojot degvielu nesmēķējiet.

Nekādā gadījumā nenoņemiet degvielas tvertnes vāciņu vai neuzpildiet degvielu, kad dzinējs darbojas vai kad tas ir karsts.

Ja degviela ir izšakstījusies, neiedarbiniet dzinēju, bet gan pārvietojiet mašīnu prom no vietas, kur degviela ir izšakstījusies, un neveidojiet uzliesmojošus avotus, kamēr benzīna izgarojumi nav izzuduši.

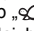
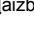
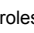
Cieši novietojiet atpakaļ degvielas vāciņu un tvertņu vāciņus.

Pirms savvērt zāles pļaujmašīnu, lai veiktu asmens apkopi vai iztecinātu eļļu, atbrīvojiet tvertni no degvielas.



BRĪDINĀJUMS: Nekad nepildiet degvielas tvertni iekštelpās, ar ieslēgtu dzinēju, vai kamēr dzinējs pēc ekspluatācijas nav atdzisis vismaz 15 minūtes.

7-2 DZINĒJA IEDARBINĀŠANA UN ASMENS PALAIŠANA

1. Ierīcei virs aizdedzes sveces gala atrodas gumijas apvalks. Pārbaudiet, vai metāla cilpa aizdedzes sveces vada galā (gumijas apvalka iekšpusē) ir cieši piestiprināta virs aizdedzes sveces metāla uzgaļa.
2. Iedarbinot aukstu vai uzsildītu dzinēju, pagrieziet droseļaizbīdņa sviru jebkurā stāvoklī starp „” un „”. Strādājot ar ierīci, pagrieziet droseļaizbīdņa sviru stāvoklī „”. **(22. att.)**
3. Stāvēt aiz ierīces, satveriet bremzes kontroles rokturi un turiet to pret augšējo rokturi, kā parādīts **23. att.**
4. Satveriet iedarbināšanas rokturi, kā parādīts **23. att.**, un strauji to pavelciet. Pēc dzinēja iedarbināšanas lēnām to novietojiet atpakaļ pie troses virzītāja skrūves.

Lai apturētu dzinēju un asmeni, atlaidiet bremzes kontroles rokturi.



Dzinēju iedarbiniet uzmanīgi, saskaņā ar norādījumiem un nestāviet asmens tuvumā.



Iedarbinot dzinēju, nesarveriet zāles pļaujmašīnu. Pļaujmašīnu iedarbiniet uz līdzenas virsmas, uz kuras nav zāles vai priekšmetu.

Netuviniet rokas un kājas rotējošām daļām.



Neiedarbiniet dzinēju, ja stāvat izvades teknes atvēruma tuvumā.

7-3 EKSPLOATĀCIJAS PROCEDŪRAS

Ekspluatācijas laikā ar abām rokām cieši turiet bremzes kontroles rokturi.



Piezīme: Atlaižot bremzes kontroles rokturi ekspluatācijas laikā, dzinējs apstāsies, un zāles pļaujmašīna nedarbosies.



Brīdinājums: Lai nejaūsi neiedarbinātu zāles pļaujmašīnu, tā ir aprīkota ar dzinēja bremzi, kas pirms dzinēja iedarbināšanas ir jāpavelk atpakaļ. Kad dzinēja kontroles svira ir atlaista, tai ir jāatgriežas sākotnējā pozīcijā, kā rezultātā dzinējs automātiski tiek izslēgts.



Piezīme: Dzinēja bremze (bremzes svira). Izmantojiet šo sviru, lai apturētu dzinēju. Atlaižot sviru, dzinējs un asmens automātiski pārstāj darboties. Pļaujot turiet sviru darba pozīcijā. Pirms pļaušanas vairākas reizes pārbaudiet iedarbināšanas/apturēšanas sviru, vai tā pareizi darbojas. Pārbaudiet, vai spriegojuma kabelis darbojas bez aizķeres (t.i., neķeras vai nesavijas).

7-4 DZINĒJA APTURĒŠANA

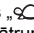



UZMANĪBU: Pēc dzinēja izslēgšanas asmens turpina griezties vairākas sekundes.

1. Lai apturētu dzinēju un asmeni, atlaidiet bremzes kontroles rokturi. **(24. att.)**
2. Atvienojiet un iezemējiet aizdedzes sveces vadu, kā norādīts atsevišķā dzinēja rokasgrāmatā, lai nepieļautu dzinēja nejaūsu iedarbināšanu, kad ierīce atstāta bez uzraudzības.

7-5 SAVIENOJUMS AUTOMĀTISKAJAI KUSTĪBAI

Pļaujmašīna ir aprīkota ar ātruma regulēšanas sistēmu, ko var noregulēt vienā no 3 ātrumiem, sākot no 3,0 km/h līdz 4,5 km/h.

Stāvoklis „”: mazākais ātrums. Stāvoklis „”: lielākais ātrums. **(25. att.)**

Rīkojieties šādi:

1. Atlaidiet pašpiedziņas kontroles rokturi, līdz zāles pļaujmašīna vairs nevirzās uz priekšu.
2. Noregulējiet nepieciešamajā ātrumā.
3. Satveriet pašpiedziņas kontroles rokturi, lai sāktu pļaut. **(26. att.)**



UZMANĪBU: Pļaujmašīna ir paredzēta normāla garuma dzīvojamās zonas zāles, kas nav garāka par 250 mm, pļaušanai. Nemeģiniet pļaut ļoti garu sausu vai mitru zāli (piemēram, ganībās) vai sausu lapu kaudzē. Netūrumi var uzkrāties uz pļaujmašīnas pamatnes var saskarties ar dzinēja izplūdes gāzēm, radot potenciālu ugunsgrēka bīstamību.

7-6 LABĀKIEM PĻAUŠANAS REZULTĀTIEM

Attīriet mauriņu no netūrumiem — no mauriņa novāciet akmeņus, žaģarus, stieples un citus priekšmetus, ko pļaujmašīna varētu nejaūsi aizmest kādā virzienā un izraisīt nopietnus ievainojumus lietotājam un citām personām, kā arī bojāt īpašumu un apkārtējos objektus. Nepļaujiet mitru zāli. Lai pļaušana būtu efektīva, nepļaujiet mitru zāli, jo tā pieļip pie pamatnes apakšas, nepļaujot pareizi veikt zāles atgriezumam pļaušanu. Nepļaujiet vairāk nekā 1/3 no zāles garuma — ieteicamais zāles garums pļaušanai ir 1/3 no zāles garuma.

Nepieciešams noregulēt pamata ātrumu tā, lai nopļauto zāli varētu vienmērīgi izkaisīt pa mauriņu. Pļaujot sevišķi garu un biezu zāli, var būt nepieciešams izmantot vienu no zemākajiem ātrumiem, lai nodrošinātu vienmērīgu pļaušanu. Pļaujot garu zāli, mauriņu var būt nepieciešams pļaut divas reizes, otro reizi nolaižot asmeni vēl par 1/3 zemāk no zāles garuma, kā arī, iespējams, pļaujot atšķirīgā virzienā nekā pirmo reizi. Katru reizi pļaujot nedaudz pāri iepriekšējai pļaušanas vietai, iespējams arī novākt zāles atgriezumus, kas var būt palikuši uz mauriņa. Pļaujmašīna vienmēr jādarbina pilnā jaudā, lai iegūtu labāko zāles griezumu un nodrošinātu vislabāko pļaušanu. Notīriet pamatnes apakšu — pēc katras izmantošanas reizes notīriet pļaušanas pamatnes apakšu, lai novērstu zāles sakrāšanos, kas neļaus pareizi veikt mulčēšanu. Lapu pļaušana — lapu pļaušana var būt labvēlīga mauriņam. Pļaujot lapas, pārbaudiet, vai tās ir sausas un uz zālāja nav pārāk biežā slānī. Negaidiet, kamēr no kokiem nokrītīs visas lapas, pirms veikt pļaušanu.



BRĪDINĀJUMS: Ja pļaujmašīna atsitas pret kādu priekšmetu, apturiet dzinēju. No aizdedzes sveces noņemiet vadu, rūpīgi pārbaudiet, vai pļaujmašīnai nav bojājumu un, pirms atkal iedarbināt un lietot pļaujmašīnu, novērsiet bojājumus. Pārmērīga pļaujmašīnas vibrācija ekspluatācijas laikā liecina par bojājumiem. Nekavējoties pārbaudiet ierīci un salabojiet.

7-7 ZĀLES UZTVĒRĒJS

Aizmugures vākā ir caurspīdīgs logs, kurā var redzēt, cik daudz zāles ir zāles uztvērējā.

Ja zāles uztvērējs ir pilns ar zāli, to nepieciešams iztukšot un iztīrīt. Pārlicinieties, vai tas ir tīrs un pārbaudiet, vai tas tiek vēdināts. (27. att.)

7-8 PAMATNE

Pēc katras izmantošanas reizes notīriet pļaujmašīnas pamatnes apakšu, lai novērstu zāles, lapu, netīrumu un citu vielu sakrāšanos. Ja ļauj sakrāties netīrumiem, tas veicina rūsu un koroziju, un neļaus pareizi veikt mulčēšanu. Pamatni var notīrīt, pļaujmašīnu sagāžot un notīrot ar piemērotu instrumentu (pārbaudiet, vai aizdedzes sveces vads ir atvienots).

7-9 NORĀDĪJUMI AUGSTUMA REGULĒŠANAI



UZMANĪBU: Nekad neregulējiet zāles pļaujmašīnu, ja vispirms nav apturēts dzinējs un atvienots aizdedzes sveces vads.



UZMANĪBU: Pirms pļaušanas augstuma maiņas apturiet pļaujmašīnu un atvienojiet aizdedzes sveces vadu.

Pļaujmašīnai ir centrālā augstuma regulēšanas svira ar 8 augstuma stāvokļiem.

1. Pirms pļaušanas augstuma maiņas apturiet pļaujmašīnu un atvienojiet aizdedzes sveces vadu.
2. Centrālajai augstuma regulēšanas svirai ir 8 dažādi augstuma stāvokļi.

Lai mainītu pļaušanas stāvokli, velciet regulēšanas sviru pret riteņiem, virzot sviru uz augšu vai leju, lai izvēlētos augstumu.

Visi riteņi būs vienādā pļaušanas augstumā. (28. att.)

8. TEHNISKĀS APKOPES NORĀDĪJUMI

AIZDEDZES SVECE

Izmantojiet tikai oriģinālo rezerves aizdedzes sveci. Labākiem rezultātiem nomainiet aizdedzes sveci pēc katrām 100 lietošanas stundām.

BREMZES KLUČI

Regulāri vērsieties pie servisa pārstāvja, lai pārbaudītu un/vai nomainītu dzinēja bremzes klučus; nomainīgai drīkst lietot tikai oriģinālās detaļas.

9. NORĀDĪJUMI EĻĻOŠANAI



UZMANĪBU: VIENMĒR PIRMS APKOPES VEIKŠANAS ATVIENOJIET AIZDEDZES SVECI.

1. RITENĪ! — vismaz reizi sezonā ar zemas viskozitātes eļļu ieeļļojiet katra riteņa lodīšu gultņus.
2. DZINĒJS — norādījumus eļļošanai meklējiet dzinēja rokasgrāmatā.

10. TĪRĪŠANA



UZMANĪBU: Neskalojiet dzinēju ar šļūteni. Ūdens var sabojāt dzinēju un piesārņot degvielas sistēmu.

1. Noslaukiet pamatni ar sausu lupatiņu.
2. Noskalojiet pamatnes apakšu ar šļūteni, sagāžot pļaujmašīnu tā, lai aizdedzes svece atrodas augšā.

10-1 DZINĒJA GAISA FILTRS



UZMANĪBU: Neļaujiet netīrumiem vai putekļiem aizsprostot gaisa filtra filtrējošo elementu. Gaisa filtra elementam jāveic apkope (jātīra) pēc 25 stundām pļaušanas normālos apstākļos. Filtrējošam elementam regulāri jāveic apkope, ja pļaujmašīnu izmanto sausus, putekļainos apstākļos.

GAISA FILTRA TĪRĪŠANA

1. Paceliet filtra vāka skavu. (29. att.)
2. Noņemiet filtra pārsegu.
3. Nomazgājiet filtra elementu ziepūdenī.
NEIZMANTOJIET BENZĪNU!
4. Filtra elementu nožāvējiet ar gaisu.
5. Uzpieliniet dažas lāses SAE30 eļļas uz filtra un cieši saspiediet, lai atbrīvotos no liekās eļļas.
6. Atlieciet filtru atpakaļ.
7. Aizveriet filtra vāku.

PIEZĪME: Nomainiet filtru, ja tas ir nodilis, bojāts vai to nevar notīrīt.

10-2 GRIEZĒJASMENS



UZMANĪBU: Lai nepieļautu dzinēja nejaušu iedarbināšanu, pirms sākt darbu ar griezējasmēni atvienojiet un iezemējiet aizdedzes sveces vadu. Izmantojiet biezus cimdus, lai aizsargātu rokas, satverot griezējasmēni. Sašķībiet plaujmašīnu, kā norādīts atsevišķajā dzinēja rokasgrāmatā. Atskrūvējiet seššķautņu buļskrūvi un uzgriezni, kas piestiprina asmeni un asmens turētāju pie dzinēja klokvārpstas. Noņemiet asmeni un turētāju no klokvārpstas.



BRĪDINĀJUMS: Regulāri pārbaudiet, vai asmens turētājam nav plaisu, jo īpaši, ja plaujmašīna atsisas pret kādu priekšmetu. Ja nepieciešams, nomainiet. Lai iegūtu labākus rezultātus, asmenim ir jābūt asam. Asmeni var atkārtoti uzasināt, to noņemot un griezējmaļu noslīpējot vai novīļējot, pēc iespējas ievērojot sākotnējo leņķi. Ļoti svarīgi ir nodrošināt, lai visas griezējmaļas būtu vienādi noslīpētas, lai nepieļautu nebalansēta asmens izveidošanos. Nepareizi balansēts asmens radīs pārmērīgu vibrāciju, kas var izraisīt bojājumus dzinējam un plaujmašīnai. Pēc uzasināšanas rūpīgi balansējiet asmeni. Asmens balansu var pārbaudīt, to balansējot uz apaļas skrūvgrieža ass. Noņemiet metālu no smagākās puses, līdz asmens ir balansā. **(30. att.)** Pirms asmens un asmens adaptera piestiprināšanas pie ierīces, ar zemas viskozitātes eļļu ieeļļojiet dzinēja klokvārpstu un asmens turētāja iekšējo virsmu. Piestipriniet asmens turētāju pie klokvārpstas. Skatiet **30. att.** Novietojiet asmeni tā, lai daļas numurs neatrodas turētāja pusē. Novietojiet blīvi virs asmens un ievietojiet seššķautņu skrūvi. Pieskrūvējiet seššķautņu skrūvi atbilstoši šeit norādītajam griezes momentam.

10-3 ASMENS PIESTIPRINĀŠANAS GRIEZES MOMENTS

Centrālā skrūve jāpieskrūvē ar 40 Nm - 50 Nm griezes momentu, lai nodrošinātu ierīces drošu ekspluatāciju. Regulāri jāpārbauda, vai VISI uzgriežņi un skrūves ir pareizi pieskrūvētas. Pēc ilgstošas lietošanas, jo īpaši, ja augsne ir smilšaina, asmens nodils, un tam vairs nebūs sākotnējās formas. Plaušanas efektivitāte būs samazināta, tādēļ asmens ir jānomaina. Nomainiet tikai pret apstiprinātas rūpnīcas rezerves asmeni. Ražotājs neuzņemas atbildību par iespējamiem bojājumiem, kas radušies no nebalansēta asmens.

Nomainot asmeni, izmantojiet oriģinālo tipu, kas norādīts uz asmens (MAKITA 263001171). (Lai pasūtītu asmeni, lūdzu, sazinieties ar vietējo izplatītāju vai zvaniet mūsu uzņēmumam; skatiet vāku.)

10-4 DZINĒJS

Dzinēja apkopes norādījumus skatiet atsevišķā dzinēja rokasgrāmatā.

Piepildiet eļļu, kā norādīts atsevišķā dzinēja rokasgrāmatā, kas pievienota plaujmašīnai. Rūpīgi izlasiet un izpildiet norādījumus.

Gaisa filtru apkopiet, kā norādīts atsevišķā dzinēja rokasgrāmatā attiecībā uz normāliem apstākļiem.

Sevišķi putekļainos apstākļos tīriet ik pēc dažām stundām. Sliktos dzinēja sniegums un pārplūšana parasti liecina, ka gaisa filtram nepieciešama apkope. Lai veiktu apkopi gaisa filtram, skatiet atsevišķu dzinēja rokasgrāmatu, kas pievienota plaujmašīnai. Aizdedzes svece jātīra un spraugas tehniskos datus. Aizdedzes sveci ieteicams nomainīt katras plaušanas sezonas sākumā — dzinēja rokasgrāmatā nosakiet pareizo sveces tipu un spraugas tehniskos datus. Dzinēju regulāri tīriet ar lupatīņu vai birstīti. Dzesēšanas sistēmu (pūtējventilatora korpusa zonu) uzturiet tīru, lai nodrošinātu pietiekamu gaisa cirkulāciju, kas ir nepieciešama dzinēja sniegumam un kalpošanas ilgumam. No klusinātāja zonas noņemiet zāli, netīrumus un viegli uzliesmojošus materiālus.

11. NORĀDĪJUMI GLABĀŠANAI (PĒC SEZONAS BEIGĀM)

Lai zāles plaujmašīnu sagatavotu glabāšanai, jāveic šādi pasākumi.

1. Pēc pēdējās plaušanas reizes sezonā iztukšojiet tvertni.
 - a) Degvielas tvertni iztukšojiet ar sūcēsūkni.



UZMANĪBU: Neizļieiet benzīnu slēgtās telpās, tuvu atklātai ugunij u. c. Nesmēķējiet! Benzīna izgarojumi var izraisīt eksploziju vai ugunsgrēku.

- b) Iedarbiniet dzinēju un ļaujiet tam darboties, līdz ir izlietots atlikušais benzīns un tas apstājas.
 - c) Izņemiet aizdedzes sveci. Izmantojiet eļļas kannu, lai iepildītu 20 ml eļļas degkamerā. Iedarbiniet starteri, lai degkamerā vienmērīgi sadalītu eļļu. Nomainiet aizdedzes sveci.
2. Uzmaniņot notīriet un ieeļļojiet zāles plaujmašīnu, kā aprakstīts iepriekš sadaļā „NORĀDĪJUMI EĻĻOŠANAI”.
 3. Viegli ieeļļojiet griešanas ierīci, lai novērstu koroziju.
 4. Uzglabājiet zāles plaujmašīnu sausā, tīrā un no sala aizsargātā vietā, kur nevar iekļūt nepiederošas personas.



UZMANĪBU: Pirms zāles plaujmašīnas novietošanas glabāšanā ļaujiet dzinējam pilnībā atdzist.



PIEZĪME:

- Ja mehanizētās ierīces glabājat nevēdināmā telpā vai materiālu glabāšanas noliktavā,
- ierīcēm nepieciešams nodrošināt aizsardzību pret rūsū. Pārklājiet ierīci, jo sevišķi tās kabelus un kustīgās daļas, ar zemas viskozitātes eļļu vai silikonu.
- Uzmanieties, lai nesaliektu un nesamezglotu kabelus.
- Ja iedarbināšanas trosē atvienojas no troses virzītāja uz roktura, atvienojiet un iezemējiet aizdedzes sveces vadu, nospiediet asmens kontroles rokturi un lēnām izvelciet iedarbināšanas trosi ārā no dzinēja. Ievietojiet iedarbināšanas trosi troses virzītāja skrūvē uz roktura.

Transportēšana

Izslēdziet dzinēju un ļaujiet tam atdzist. Tad atvienojiet aizdedzes sveces vadu un iztukšojiet degvielas tvertni saskaņā ar norādījumiem dzinēja rokasgrāmatā. Stumjot zāles plaujmašīnu pāri šķēršļiem, nesalieciot un nesabojājiet griezējasmehānismu.

12. PROBLĒMU NOVĒRŠANA

| PROBLĒMA | IESPĒJAMĀIS CĒLONIS | PROBLĒMAS NOVĒRŠANA |
|--|--|--|
| Dzinējs nesāk darboties | Droseļjaizbīdnis neatrodas apstākļiem atbilstošā stāvoklī | Pārvietojiet droseļjaizbīdni pareizā stāvoklī |
| | Degvielas tvertne ir tukša | Iepildiet tvertnē degvielu — skatiet DZINĒJA LIETOTĀJA ROKASGRĀMATU |
| | Gaisa filtra elements ir netīrs | Notīriet gaisa filtra elementu — skatiet DZINĒJA LIETOTĀJA ROKASGRĀMATU |
| | Aizdedzes svece ir vaļīga | Pieskrūvējiet aizdedzes sveci ar 25–30 Nm |
| | Aizdedzes sveces vads ir vaļīgs vai atvienojies no sveces | Pievienojiet aizdedzes sveces vadu pie aizdedzes sveces |
| | Aizdedzes sveces sprauga nav pareiza | Spraugu starp elektrodiem noregulējiet no 0,7 līdz 0,8 mm |
| | Aizdedzes svece ir bojāta | Uzstādiet jaunu sveci ar pareizu spraugas attālumu — skatiet DZINĒJA LIETOTĀJA ROKASGRĀMATU |
| | Karburatorā ir pārplūdusi degviela | Izņemiet gaisa filtra elementu un nepārtraukti velciet iedarbināšanas trosi, līdz karburators ir attīrīts; pēc tam atlieciat atpakaļ gaisa filtra elementu |
| | Bojāts aizdedzes modulis | Sazinieties ar servisa pārstāvi |
| Dzinēju ir grūti iedarbināt, vai tas zaudē jaudu | Tvertnē ir netīrumi, ūdens vai sastāvējusies degviela | Izteciniot degvielu un iztīriet tvertni. Piepildiet tvertni ar tīru, svaigu degvielu |
| | Degvielas tvertnes vāciņa ventilācijas atvere ir nosprostota | Iztīriet vai nomainiet degvielas tvertnes vāciņu |
| | Gaisa filtra elements ir netīrs | Notīriet gaisa filtra elementu |
| Dzinējs darbojas ar pārtraukumiem | Aizdedzes svece ir bojāta | Uzstādiet jaunu sveci ar pareizu spraugas attālumu — skatiet DZINĒJA LIETOTĀJA ROKASGRĀMATU |
| | Aizdedzes sveces sprauga nav pareiza | Spraugu starp elektrodiem noregulējiet no 0,7 līdz 0,8 mm |
| | Gaisa filtra elements ir netīrs | Notīriet gaisa filtra elementu — skatiet DZINĒJA LIETOTĀJA ROKASGRĀMATU |
| Vāji dzinēja tukšgaitas apgrīezieni | Gaisa filtra elements ir netīrs | Notīriet gaisa filtra elementu — skatiet DZINĒJA LIETOTĀJA ROKASGRĀMATU |
| | Vēdināšanas atveres dzinēja korpusā ir bloķētas | No atverēm notīriet netīrumus |
| | Dzesēšanas ribas un gaisa plūsmas ceļi zem dzinēja pūtējventilatora korpusa ir bloķēti | Notīriet netīrumus dzesēšanas ribās un gaisa plūsmas ceļos |
| Lielā ātrumā dzinējs pārlec | Sprauga starp aizdedzes sveces elektrodiem ir pārāk maza | Spraugu starp elektrodiem noregulējiet no 0,7 līdz 0,8 mm |
| Dzinējs pārkarst | Dzesēšanas gaisa plūsma ir sašaurināta | No atverēm korpusā, pūtējventilatora korpusā, gaisa plūsmas ceļiem iztīriet visus netīrumus |
| | Nepareiza aizdedzes svece | Uzstādiet dzinējam oriģinālo aizdedzes sveci un dzesēšanas ribas. |
| Plaujmašīna neparasti vibrē | Plaušanas mehānisms ir vaļīgs | Pieskrūvējiet asmeni |
| | Plaušanas mehānisms nav balansēts | Balansējiet asmeni |

13. APKĀRTĒJĀS VIDES AIZSARDZĪBA

Ja mašīnu pēc ilgstošas kalpošanas nepieciešams nomainīt, neizmetiet to māsaimniecības atkritumos, bet likvidējiet apkārtējai videi nekaitīgā veidā.

14. EK ATBILSTĪBAS DEKLARĀCIJA

Tikai Eiropas valstīm

EK atbilstības deklarācija ir iekļauta šīs lietošanas rokasgrāmatas A. pielikumā.

Bendrasis aprašymas

- | | | |
|--------------------------------|------------------------------------|--|
| 1. Stabdžių valdymo rankena | 10. Šoninio išmetimo kanalas | 19. Mulčiavimo pleištas |
| 2. Viršutinė rankena | 11. Šoninė sklendė | 20. Mygtukas |
| 3. Savieigos valdymo rankena | 12. Dugnas | 21. Alyvos pildymo angos dangtelis/ lygio matuoklis |
| 4. Droselinės sklendės svirtis | 13. Uždegimo žvakė | 22. Maks.: viršutinė riba |
| 5. Starterio rankena | 14. Degalų bako dangtelis | 23. Min.: apatinė riba |
| 6. Troso kreiptuvas | 15. Alyvos pildymo angos dangtelis | 24. Ašėlė |
| 7. Fiksavimo rankenėlė | 16. Kabelio spaustukas | 25. Filtro dangtelis |
| 8. Žolės gaudyklė | 17. Apatinė rankena | |
| 9. Aukščio reguliavimo svirtis | 18. Greičio reguliavimo svirtis | |



ĮSPĖJIMAS:

Savo pačių saugai prieš pradėdami naudoti šį naują įrenginį atidžiai perskaitykite šį vadovą. Nesilaikant instrukcijų, galima sunkiai susižeisti. Prieš pradėdami naudoti vejąpvovę, skirkite šiek tiek laiko susipažinti su ja. Laikykite šį vadovą saugioje vietoje, kad visada galėtumėte pasiekti informaciją. Jei ketinate perduoti įrenginį kitam asmeniui, kartu perduokite šias naudojimo instrukcijas ir saugos taisykles.

Paskirtis

Šia įranga galima atlikti tik tas užduotis, kurioms vykdyti ji suprojektuota. Bet koks kitas naudojimas laikomas netinkamu. Už žalą ar sužalojimus, kurie gali būti sukelti taip elgiantis, bus atsakingas naudotojas (operatorius), o ne gamintojas.

Benzininė vejąpvovė yra skirta naudoti privačiai, t. y. prie namo ar sode.

Vejąpvovės naudojimo privačiai apribojimas – ne daugiau nei 50 valandų per metus. Šiuo laikotarpiu įrenginys turi būti naudojamas nedidelio ploto gyvenamosioms vejoms pjauti prie namų ar soduose. Tai negalioja viešiesiems objektams, sporto aikštynams ir eksploatacijai žemės ūkio / miškininkystės tikslais.

Atminkite, kad mūsų įranga nebuvo projektuojama naudoti komerciniais, prekybiniais ar pramoniniais tikslais. Jei įrenginys bus naudojamas komerciniais, prekybiniais, pramoniniais ar analogiškais tikslais, bus anuliuota suteikta garantija.

Siekiant užtikrinti tinkamą vejąpvovės naudojimą ir techninę priežiūrą, būtina laikytis gamintojo pateiktų naudojimo instrukcijų. Instrukcijose pateikiama vertingos informacijos apie naudojimą, techninę priežiūrą ir šios sąlygas.

Svarbu! Dėl naudotojui kylančio didelio susižalojimo pavojaus vejąpvovės negalima naudoti krūmams, krūmokšniams ar gyvatvorėms apkarpyti, pakopinei augmenijai pjauti, žolei ant stogo ar balkonuose pjauti, nešvarumams ir šiukšlėms siurbti nuo šaligatvių arba medžių ir krūmų nuopjovoms smulkindi. Be to, vejąpvovės negalima naudoti kaip kultivatoriaus vejoms kauburiams (pvz., kurniaraisiams) išlyginti.

Saugos sumetimais vejąpvovės negalima naudoti kaip kitų bet kokios rūšies įrankių ar jų komplektų pavaros.

1. ANT GAMINIO PAŽYMĖTI ŽENKLAI (ant galinio dangčio)



Perskaitykite vartotojo vadovą.



Neleiskite artyn pašalinių asmenų.



Naudodami žoliaprovę, kreipkite daugiau dėmesio į rankas ir kojas, kad išvengtumėte susižeidimų.



Degalai yra degūs - saugokite nuo ugnies. Nepilkite degalų į veikiančią įrenginį.



Nuodingos išmetamosios dujos; nenaudokite uždarose patalpose.



Pjaudami žolę, dėvėkite apsauginius akinius ir ausų kištukus.



Atlikdami remonto darbus, ištraukite uždegimo žvakę ir taisykite įrenginį, kaip nurodyta naudojimo instrukcijoje.



Perspėjimas: Variklis labai įkaista.

2. BENDROSIOS SAUGOS TAISYKLĖS



ĮSPĖJIMAS: Naudodami benzininius įrankius, visuomet laikykites būtinų saugos priemonių, įskaitant toliau nurodytasias, kad sumažintumėte sunkaus susižeidimo ir (arba) žalos įrenginiui pavojų. Prieš pradėdami naudoti šį gaminį, perskaitykite visą instrukciją ir išsaugokite ją, kad galėtumėte ja pasinaudoti vėliau.



ĮSPĖJIMAS: Šis įrenginys darbo metu sukuria elektromagnetinį lauką. Esant tam tikroms sąlygoms, šis laukas gali sutrikdyti aktyviųjų arba pasyviųjų medicininių implantų veikimą. Norint sumažinti sunkių arba mirtinų sužeidimų pavojų, rekomenduojame, kad asmenys, turintys medicininių implantų, prieš pradėdami naudoti šį įrenginį, pasitartų su savo fizioterapeutais ir medicininių implantų gamintojais.

Mokymas

- Atidžiai perskaitykite instrukciją. Nuodugniai susipažinkite su valdikliais ir kaip tinkamai naudoti šį įrenginį. Sužinokite, kaip greitai išjungti variklį.
- Naudokite žoliapjovę tik pagal jos numatytąją naudojimo paskirtį, t. y. žolei pjauti ir surinkti. Naudojant ją bet kokiems kitiems tikslams, gali kilti pavojų arba gali būti sugadinta pati mašina. Netinkamo naudojimo pavyzdžiai, įskaitant, tačiau vien jais neapsiribojant:
 - vežti mašiną žmones, vaikus ar gyvūnus;
 - patiems būti vežamiems mašina;
 - naudoti mašiną kroviniams vilkti arba stumti;
 - naudoti mašiną lapams ar šiukšlėms surinkti;
 - naudoti mašiną gyvatvorėms genėti arba kitokiai augmenijai nei žolė pjauti;
 - naudoti mašiną keliems žmonėms;
 - naudoti peilį ant kitokių nei žolė paviršių.
- Niekuomet neleiskite, kad šią žoliapjovę naudotų vaikai arba su šia instrukcija nesusipažinę žmonės. Operatoriaus amžius gali būti reglamentuojamas vietinių įstatymų.
- Niekada nenaudokite žoliapjovės:
 - jei netoliese yra žmonių, ypač vaikų ar naminių gyvūnų;
 - jei operatorius pavartojo vaistų ar narkotinių medžiagų, kurios gali paveikti jo gebėjimą reaguoti ir susikaupti.
- Prisiminkite, kad operatorius yra atsakingas už nelaimingus atsitikimus ar nelaimes, atsitikusias kitiems žmonėms arba jų turtui padarytą žalą.
- Operatorius turi būti tinkamai parengtas naudoti, reguliuoti ir valdyti įrenginį, įskaitant draudžiamas operacijas.

Paruošimas

- Pjaudami žolę, visuomet avėkite tinkamą avalynę ir mūvėkite ilgas kelnes. Niekuomet nedirbkite su įrengimu, jei esate basi ar avėdami atvirus sandalus.
- Kruopščiai apžiūrėkite vietą, kurioje naudosite įrenginį, ir pašalinkite visus daiktus, pvz., akmenis, žaislus, šakas ar vielas, kuriuos įrenginys galėtų išsviesti.

- ĮSPĖJIMAS – Benzinas yra nepaprastai degus.
 - laikykite benzinaž talpose, skirtose specialiai šiam tikslui;
 - degalus į baką pilkite tik lauke ir, pildami degalus, nerūkykite;
 - degalų pilkite prieš užvesdami variklį. Niekuomet neatsukite degalų bako dangtelio ir nepilkite degalų, kai variklis veikia arba kai variklis yra įkaitęs;
 - išsipylus degalams, nebandykite užvesti variklio, tik patraukite mašiną šalin nuo degalų išsiliejimo vietos ir venkite sukurti kokį nors uždegimo šaltinį, kol degalų garai neišsisklaidys;
 - saugiai užsukite visus degalų bako ir talpyklų dangtelius.
- Pakeiskite sugedusius slopintuvus.
- Prieš pradėdami naudoti žoliapjovę, visuomet apžiūrėkite ir patikrinkite, ar nesusidėvėję ar neapgadinti peiliai, peilių varžtai ir pjoviklio mechanizmas. Pakeiskite visus peilių ir varžtų kompleksus, ne tik susidėvėjusius ar apgadintus peilius ir varžtus, kad būtų išlaikyta pusiausvyra.
- Reguliariai tikrinkite ir užtikrinkite, kad visos paleidimo blokuotės ir operatoriaus buvimo valdymo elementai veiktų tinkamai.

Naudojimas

- Nejunkite variklio uždarose patalpose, kuriose gali susikaupti pavojingų anglių viendeginio dujų.
- Nedirbkite įrenginiu, jei esate pavargę, sergate arba pavartojote alkoholio ar medikamentų.
- Įspėjimas! Nedirbkite vejojame, jei kyla žaibo pavojus.
- Siekiant maksimaliai sumažinti triukšmo ir vibracijos keliamą pavojų, rekomenduojama roboti darbo trukmę.
- Dirbdami vejojame šlaituose ir netoli staigių nuolydžių, griovių ar pylimų, būkite atsargūs.
- Žolę pjaukite tik dienos metu arba esant geram dirbtiniam apšvietimui.
- Jei įmanoma, venkite pjauti šlapia žolę.
- Dirbdami nuokalnėse, visada tvirtai stovėkite ant žemės.
- Vaikščiokite, o ne bėgiokite.
- Naudodami ratines rotacines mašinas, pjaukite žolę skersai nuokalnių; niekada nepjaukite aukštyn-žemyn.
- Keisdami kryptis nuokalnėse, būkite itin atsargūs.
- Nepjaukite žolės pernelyg stačiose nuokalnėse.
- Būkite itin atsargūs važiuodami atbuline eiga arba traukdami žoliapjovę link savęs.
- Sustabdykite peilį(-ius), jeigu žoliapjovę reikia paversti, kad ją galima būtų perkelti per žolę neapaugusius paviršius, ir gabenant žoliapjovę iš ir į žolės pjovimo vietą.
- Niekada neekspluatuokite žoliapjovės su pažeistais apsauginiais skydais arba be tinkamai sumontuotų saugos įtaisų, pavyzdžiui, kreiptuvų ir (arba) žolės gaudyklių.
- Perspėjimas: vejojame negalima eksploatuoti be sumontuotos žolės gaudyklės arba užsidarančios išleidimo angos apsaugos.
- Nekeiskite variklio kontrolės regulatoriaus nustatymų ir neviršykite variklio apskukų.
- Negalima lįsti prie vejojame saugos sistemų ar funkcijų ir jų išjunginėti.
- Nekeiskite variklio kontrolės regulatoriaus nustatymų ir neviršykite variklio apskukų.

- Prieš užvesdami variklį, atjunkite visus peilius ir pavarų sankabas.
- Atsargiai užveskite variklį, kaip nurodyta instrukcijoje; pėdos turi būti pakankamu atstumu nuo peilio (-ių).
- Užvesdami variklį, nepaverskite žoliapjovės.
- Neužveskite variklio stovėdami priešais išmetimo lataką.
- Nekiškite rankų ar kojų artyn prie besisukančių dalių arba po jomis. Visada stovėkite atokiai nuo sniego išmetimo angos.
- Niekada nekelkite ir neneškite žoliapjovės, kai variklis veikia.
- Išjunkite variklį ir atjunkite uždegimo žvakės laidą; palaukite, kol visos judamosios dalys visiškai sustos ir, jei įkištas užvedimo raktelis, ištraukite jį:
 - prieš pradėdami valyti užsikimšimus ar prieš atkimšdami išmetimo lataką;
 - prieš atlikdami žoliapjovės patikrą, valymo arba remonto darbus;
 - atsitrenkę į kokį nors daiktą. Prieš vėl užvesdami ir naudodami žoliapjovę, patikrinkite, ar nėra gedimų, ir, jeigu reikia, pataisykite.
 - jeigu žoliapjovė pradeda neįprastai vibruoti (patikrinkite nedelsdami).
- Išjunkite variklį ir atjunkite uždegimo žvakės laidą; palaukite, kol visos judamosios dalys visiškai sustos ir, jei įkištas užvedimo raktelis, ištraukite jį:
 - jei tik paliekate žoliapjovę be priežiūros;
 - prieš pripildami degalų;
- Sumažinkite droselinės sklendės atidarymo nustatymą variklio išilimo metu, jei variklyje yra įrengtas išjungimo vožtuvas; pabaigę pjauti žolę, išjunkite degalų padavimą.
- Naudokite vejąpovę tik pagal paskirtį - žolei pjauti ir surinkti. Naudojant ją bet kokiems kitiems tikslams, gali kilti pavojų arba gali būti sugadinta pati mašina.

Techninė priežiūra ir įrenginio saugojimas

- Visos veržlės, varžtai ir kitos tvirtinimo detalės turi būti gerai priveržtos, kad būtumėte tikri dėl įrangos darbo saugumo.
- Niekuomet nelaikykite įrenginio, kurio bake yra benzino, patalpoje, kur degalų garai galėtų pasiekti atvirą liepsną ar kibirkštį.
- Prieš sandėliuodami įrenginį uždaroje patalpoje, leiskite varikliui atvėsti. Prieš sandėliuodami nuvalykite vejąpovę ir atlikite jos techninės priežiūros darbus.
- Norint sumažinti gaisro pavojų, žoliapjovės variklyje, duslintuve, akumulatoriaus bloke ir benzino saugojimo vietoje neturi būti žolės, lapų ar pėmelų daug tepalo.
- Dažnai tikrinkite žolės gaudyklę, ar ji nesusidėvėjusi ir ar tinkamai veikia.
- Saugos sumetimais, pakeiskite susidėvėjusias ar apgadintas dalis.
- Jeigu reikia ištuštinti degalų baką, tai reikia daryti lauke.
- Netinkamai prižiūrint įrenginį, naudojant nederančias atsargines dalis, nuėmus ar modifikavus saugos komponentus, galima apgadinti vejąpovę, o operatoriui – rimtai susižaloti.
- Naudokite tik gamintojo rekomenduojamus peilius ir atsargines dalis. Jei naudosite neoriginalias dalis, galite apgadinti įrenginį ir dirbdami susižaloti. Pasirūpinkite, kad vejąpovė būtų geros darbinės būklės.

- Jei neveikia peilio stabdymo įtaisas, krepkitės pagalbos į techninės priežiūros centrą.

Vežimas ir nešimas

- Jeigu mašiną reikia nešti, kelti, vežti arba paversti, privalote:
 - mūvėti tvirtas darbo pirštines;
 - suimti mašiną už kėlimui saugių vietų, atsižvelgiant į svorį ir jo paskirstymą;
 - kelti keliese, o ne vieni patys, atsižvelgdami į mašinos svorį ir transporto priemonės techninius duomenis arba vietą, kurioje ji turi būti pastatyta arba iš kurios ji turi būti paimta.
- Vežant mašiną, ją reikia tvirtai pritvirtinti virvėmis arba grandinėmis.



ĮSPĖJIMAS: Nelieskite besisukančio peilio.



ĮSPĖJIMAS: Pilkite degalus gerai vėdinamoje vietoje, išjungę variklį.

3. DALIŲ APRAŠYMAS (1 pav.)

Įskaitant

A: Uždegimo žvakės veržliaraktis

4. TECHNINIAI DUOMENYS

| Modelis | PLM5600N2 |
|-----------------------|-------------------------------|
| Variklio tipas | Seriya B&S 675EXi, ReadyStart |
| Savaeigis | Yra |
| Variklio litražas | 163 cm ³ |
| Nominalioji galia | 2,6 kW |
| Peilio plotis | 560 mm |
| Projektinis greitis | 2 800 /min |
| Degalų bakelio talpa | 1,0 l |
| Alyvos bako talpa | 0,47 l |
| Žolės gaudyklės talpa | 70 l |
| Grynavis svoris | 37,2 kg |
| Aukščio reguliavimas | 25 – 70 mm, 8 nuostatos |

| Modelis | PLM5600N2 |
|--|---|
| Garantuotas garso slėgio lygis naudotojo vietoje (pagal EN ISO 5395-1, F priedą ir EN ISO 5395-2, EN ISO 4871) | 88,5 dB (A) (K=3 dB (A)) |
| Nustatytas garso galios lygis Garantuotas garso galios lygis (pagal 2000/14/EB) | 96,3 dB (A) K=1,86 dB (A) 98 dB (A) |
| Vibracija (pagal EN ISO 5395-1, G priedą ir EN ISO 5395-2) | 7,90 m/s ² K=1,5 m/s ² |

5. MONTAVIMAS

5-1 SUDEDAMOSIOS RANKENOS SURINKIMAS

1. Varžtu, povežle ir fiksavimo rankenėle užfiksuokite apatinę rankeną ant rankenos laikiklio. (2 pav., 3 pav.)
2. Sujunkite viršutinę ir apatinę rankenas, naudodami fiksavimo rankenėlę. (4 pav., 5 pav.)
3. Nutieskite kabelį aplink apatinės rankenos veleno vidurinę angą. Pritvirtinkite jį kabelio spaustuku, kad kabelis būtų užfiksuotas aplink išorinę rankenos dalį. (6 pav.) Kitaip kabelis gali būti prispaustas atidarant/ uždarant galinį gaubtą.

5-2 RANKENOS TINKAMO AUKŠČIO NUSTATYMAS

- 1) Išsukite fiksavimo rankenėlę, tvirtinančią apatinę rankeną.
- 2) Pakelkite arba nuleiskite apatinę rankeną, kad nustatytumėte tinkamą aukštį. Šio tipo žoliapjovėje yra 3 aukščio nustatymo padėty; pasirinkus 1 aukščio nuostatą, apatinė rankena bus nustatyta aukščiausiai žemės paviršiaus atžvilgiu, o pasirinktus 3 aukščio nuostatą – žemiausiai. (7 pav.)
- 3) Nustatę apatinę rankeną tinkamame aukštyje, užfiksuokite ją fiksavimo rankenėle. (8 pav.)

5-3 ŽOLĖS GAUDYKLĖS UŽDĖJIMAS IR NUĖMIMAS

1. Norėdami pritvirtinti: Pakelkite galinį gaubtą ir prikabinkite žolės gaudyklę prie žoliapjovės galo. (9 pav., 10 pav.)
2. Norėdami nuimti: Suimkite ir pakelkite galinį gaubtą, nuimkite žolės gaudyklę.

5-4 STARTERIO RANKENA

Patraukite starterio rankeną nuo variklio link tros kreiptuvo. (11 pav.)

5-5 PJOVIMO AUKŠTIS

Patraukite išorinį, kad atkabintumėte svirtį nuo krumpļiastiebio. Stumkite svirtį pirmyn arba atgal, kad nustatytumėte aukštį. (12 pav. ir žr. 7-9 punktą)

6. FUNKCIJA

Šias žoliapjovės galima modifikuoti, įprastą funkciją pakeičiant pagal reikiamą naudojimo paskirtį:

Iš žoliapjovės su žolės išmetimu pro galą [:

1. mulčiavimo žoliapjovę arba
2. šoninio išmetimo žoliapjovę.

Kas yra mulčiavimas?

Mulčiuojant, žolė nupjaunama vieno darbo erapo metu, tuomet sukopojama ir išmetama ant nupjauto žolės ruožo kaip natūralios trąšos.

Patarimai dėl mulčiavimo:

- Reguliariai pjaukite žolę, pasirinkdami vis priešingą judėjimo kryptį, maks. 2 cm, kai žolė yra 6 cm–4 cm aukščio.
- Naudokite aštrų pjovimo peilį.
- Nepjaukite šlapios žolės.
- Nustatykite maks. variklio apsakas.
- Judėkite tik darbu tinkamu tempu.

- Reguliariai valykite mulčiavimo pleištą, korpuso vidų ir pjovimo peilį.

Trumpa instrukcija

6-1 Žoliapjovės mulčiavimo funkcijos nustatymas



ĮSPĖJIMAS: Tik išjungus variklį ir sustojus peiliui.

1. Pakelkite galinį gaubtą ir nuimkite žolės gaudyklę.
2. Įstumkite mulčiavimo pleištą į dugną. Užfiksuokite mulčiavimo pleištą, įstūmę mygtuką į dugne esančią angą. (13 pav., 14 pav.)
3. Vėl nuleiskite galinį gaubtą. (15 pav.)
4. Pakelkite šoninę sklendę ir nuimkite šoninio išmetimo kanalą.

6-2 Žoliapjovės šoninio išmetimo funkcijos nustatymas



Tik išjungus variklį ir sustojus peiliui!

1. Pakelkite galinį gaubtą ir nuimkite žolės gaudyklę.
2. Įstumkite mulčiavimo pleištą į dugną. Užfiksuokite mulčiavimo pleištą, įstūmę mygtuką į dugne esančią angą.
3. Pakelkite šoninę sklendę, kad žolė būtų išmetama į šoną. (16 pav.)
4. Sumontuokite šoninio išmetimo kanalą (žolės išmetimui pro šoną) ant atraminio šoninės sklendės kaiščio. (17 pav.)
5. Nuleiskite šoninę sklendę – sklendę guli ant šoninio išmetimo kanalo. (18 pav.)

6-3 Žolės pjovimas naudojant žolės gaudyklę



ĮSPĖJIMAS: Tik išjungus variklį ir sustojus peiliui.

Norėdami pjauti žolę naudodami žolės gaudyklę, nuimkite mulčiavimo pleištą bei žolės šoninio išmetimo kanalą (šoniniam žolės išmetimui) ir uždėkite žolės gaudyklę.

1. Mulčiavimo pleišto nuėmimas.
 - Pakelkite galinį gaubtą ir nuimkite mulčiavimo pleištą.
2. Šoninio išmetimo kanalo nuėmimas.
 - Pakelkite šoninį atlangą ir nuimkite šoninį išmetimo kanalą.
 - Spyrkuoklės jėga šoniniu atlančiu automatiškai uždaro korpusą esančią išmetimo angą.
 - Reguliariai valykite šoninį atlangą ir išmetimo angą, kad juose nebūtų žolės likučių ir prilipusio purvo.
3. Žolės gaudyklės montavimas.
 - Pakelkite galinį gaubtą ir prikabinkite žolės gaudyklę prie žoliapjovės galo.

7. NAUDOJIMO INSTRUKCIJA

7-1 PRIEŠ PRADEDANT DARBĄ

Atlikite variklio, kuriame yra benzino ir alyvos, remonto darbus, kaip nurodyta atskiroje variklio naudojimo instrukcijoje, pateiktoje su šia žoliapjove. Atidžiai perskaitykite instrukciją. **(19 pav., 20 pav., 21 pav.)**



ĮSPĖJIMAS: Benzinas yra nepaprastai degus. Laikykite benzinaž talpose, skirtose specialiai šiam tikslui. Pilkite degalus tik lauke, prieš užvesdami variklį ir, pildami degalus arba juos tvarkydami, nerūkykite.

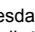


Niekuomet neatsukite degalų bako dangtelio ir nepilkite degalų, kai variklis veikia arba kai variklis yra įkaitęs. Išsipylus degalams, nbandykite užvesti variklio, tik patraukite mašiną šalin nuo degalų išsiliejimo vietos ir venkite sukurti kokių nors uždegimo šaltinį, kol degalų garai neišsisklaidys.

Saugiai užsukite visus degalų bako ir talpyklų dangtelius. Prieš paversdami žoliapjovę, norėdami atlikti peilio techninę priežiūrą arba išleisti alyvą, išleiskite degalus iš bako.



ĮSPĖJIMAS: Niekada nepildykite bako patalpose, varikliui veikiant, arba po naudojimo nepalaukę bent 15 minučių, kol variklis atvės.

7-2 VARIKLIO UVEDIMAS IR PEILIO JUNGIMAS

- Įrenginyje ant uždegimo žvakės galo uždėta guminė mova; būtinai įsitikinkite, kad uždegimo žvakės laido gale esanti metalinė kilpelė (guminės movos viduje) būtų saugiai uždėta ant uždegimo žvakės metalinio galiuko.
- Užvesdami šaltą arba šiltą variklį, nustatykite droselinės sklendės svirtį į bet kurią padėtį, tarp padėties „“ ir padėties „“. Dirbdami nustatykite droselinės sklendės svirtį į padėtį „“. **(22 pav.)**
- Atsistoję už įrenginio, suimkite už stabdžio valdymo rankenos ir laikykite ją priešais viršutinę rankeną, kaip parodyta **23 pav.**
- Paimkite už starterio rankenos kaip parodyta **23 pav.** ir ištraukite ją staigiu judesiu. Varikliui užsivedus, lėtai sugražinkite ir užfiksukite ją ant trosu kreiptuvo varžto.

Norėdami išjunkite variklį ir peilį, atleiskite stabdžių valdymo rankeną.



Atsargiai užveskite variklį, kaip nurodyta instrukcijoje; pėdos turi būti pakankamu atstumu nuo peilio.



Užvesdami variklį, nepaverskite žoliapjovės. Užveskite žoliapjovę ant lygaus paviršiaus, kur nėra žolės ar kokių nors kliūčių.



Laikykite pėdas ir rankas atokiai nuo besisukančių dalių. Neužveskite variklio stovėdami priešais išmetimo latako angą.

7-3 DARBO EIGA

Dirbdami, tvirtai laikykite stabdžių valdymo rankeną abejomis rankomis.



Pastaba: Darbo metu atleidus stabdžių valdymo rankeną, variklis bus išjungtas ir todėl žoliapjovė nebeveiks.



Įspėjimas: Siekiant išvengti vejų pavojės atsitiktinio pajudėjimo, jeje sumontuotas variklio stabdys: prieš užvedant variklį jo rankeną būtina patraukti atgal. Atleidus variklio valdymo svirtį, ji turi grįžti į pradinę padėtį, kurioje variklis automatiškai išjungiama.



Pastaba: Variklio stabdys (stabdžio rankena): naudodamiesi svirtimi, išjunkite variklį. Atleidus svirtį, variklis ir peilis automatiškai sustoja. Kad galėtumėte pjauti veją, laikykite svirtį darbinėje padėtyje. Prieš pradėdami pjauti veją, keliskart patikrinkite paleidimo / stabdymo svirtį, kad įsitikintumėte, jog ji tinkamai veikia. Užtikrinkite, kad įtempimo trosas judėtų sklandžiai (t. y. niekaip nestrigtų ir nesusisuktų).

7-4 VARIKLIO IŠJUNGIMAS

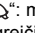
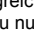


PERSPĖJIMAS: Išjungus variklį, peilis dar kelias sekundes sukasi.

- Norėdami išjunkite variklį ir peilį, atleiskite stabdžių valdymo rankeną. **(24 pav.)**
- Atjunkite ir išimkite uždegimo žvakės laidą, kaip nurodyta atskiroje variklio naudojimo instrukcijoje, kad išvengtumėte atsitiktinio užvedimo palikus įrenginį be priežiūros.

7-5 AUTOMATINĖS EIGOS ĮJUNGIMAS

Žoliapjovėje įrengta greičio reguliavimo sistema, kuri leidžia pasirinkti 3 greičio nuostatas, nuo 3,0 km/h iki 4,5 km/h.

Padėtis „“: mažiausio greičio padėtis; Padėtis „“: didžiausio greičio padėtis. **(25 pav.)**

Atlikite toliau nurodytus veiksmus:

- Atleiskite savieigos valdymo rankeną, kad žoliapjovė sustotų ir nejudėtų į priekį.
- Pasirinkite pageidaujamą greičio nustatymą.
- Paimkite už savieigos valdymo rankenos ir toliau pjaukite žolę. **(26 pav.)**



PERSPĖJIMAS: Ši žoliapjovė skirta pjauti įprastą veją prie namų, kuri yra ne aukštesnė nei 250 mm. Nemėginkite ja pjauti neįprastai aukštos, išdžiūvusios ar šlapios žolės (pvz., ganyklose) ir nesmulkininkite ja sausų lapų krūvų. Ant žoliapjovės dugno gali susikaupti purvo arba jo gali patekti į išmetimo vamzdį, o tai gali sukelti gaisrą.

7-6 KĄ DARYTI, KAD ŽOLĖ BŪTŲ PJAUNAMA GERIAUSIAI

Surinkite nuo vejos šiukšles. Įsitikinkite, ar ant vejos nėra akmenų, pagalių, laidų ar kitų pašalinių daiktų, kuriuos žoliapjovė gali netyčia pagriebti bei sviesti bet kuria kryptimi ir sukelti sunkių operatoriaus ar kitų asmenų sužeidimų bei padaryti žalos turtui ir aplinkiniams objektams. Nepjaukite šlapios žolės. Norėdami, kad žolė būtų pjaunama veiksmingai, nepjaukite šlapios žolės, nes ji prilimpa prie dugno apačios ir susmulkinta žolė pjaunama netinkamai. Pjaukite ne daugiau nei 1/3 žolės ilgio. Rekomenduojamas žolės pjovimo aukštis – 1/3 žolės ilgio. Reikia pasirinkti tinkamą važiavimo greitį, kad susmulkinta žolė būtų tolygiai paskeidžiama po veją. Esant itin sudėtingoms pjovimo sąlygoms ir tankiai žolei, norint gražiai nupjauti žolę, gali tekti pasirinkti mažiausią važiavimo greitį. Pjaunant aukštą žolę, veją gali tekti pjauti per du kartus, antrą pjovimo metu nuleidžiant peilį dar 1/3 aukščio, ir, galbūt, pjauti priešinga pirmam pjovimui kryptimi. Užgriebiant šiek tiek nupjauto ruožo, taip pat galima švariau nupjauti bet kokius likusius nenupjautos vejos kuokštelius. Norint geriausiai nupjauti žolę, žoliapjovę visuomet reikia naudoti nustačius maksimalias variklio apusakas. Nuvalykite dugno apačią. Po kiekvieno apnaudojimo būtinai nuvalykite pjovimo dugno apačią, kad ant jo nesusikaupytų žolė, kuri neleis tinkamai atlikti mulčiavimo. Lapų mulčiavimas Veja gali būti tręšiama mulčiuojant ir lapus. Mulčiuodami lapus, įsitikinkite, kad jie yra sausi ir nesukritę ant vejos pernelyg storu sluoksniu. Norėdami mulčiuoti, nelaukite, kol nuo medžių nukris visi lapai.



ISPĖJIMAS: Atsitrenkę į kokį nors pašalinį daiktą, išjunkite variklį. Ištraukite uždegimo žvakę, kruopščiai patikrinkite žoliapjovę, ar nėra pažeidimų, ir, jei reikia, pataisykite juos prieš vėl užvesdami ir naudodami žoliapjovę. Pernelyg stipri žoliapjovės vibracija darbo metu rodo gedimą. Įrenginį reikia skubiai patikrinti ir pataisyti.

7-7 ŽOLĖS GAUDYKLĖ

Ant galinio gaubto yra permatomas langelis, pro kurį galima matyti žolės būklę žolės gaudyklėje. Jeigu žolės gaudyklė yra pilna žolės, žolės gaudyklę reikia ištuštinti ir išvalyti bei patikrinti, ar švarus ir neužsikimšęs jos ventiliavimo tinklelis. **(27 pav.)**

7-8 DUGNAS

Po kiekvieno panaudojimo privaloma nuvalyti žoliapjovę dugno apačią, kad ant jos nesikaupytų susmulkinta žolė, lapai, purvas ar kitos medžiagos. Jeigu ant dugno susikaups purvo, jis sąlygos rūdžių atsiradimą ir koroziją; be to, jis trukdys tinkamai atlikti mulčiavimą. Dugną galima nuvalyti pakreipus žoliapjovę ir nugrandžius apačią tinkamu įrankiu (tuo metu uždegimo žvakė būtinai turi būti atjungta).

7-9 NURODYMAI, KAIP NUSTATYTI PJOVIMO AUKŠTĮ



PERSPĖJIMAS: Niekada nedarykite jokių žoliapjovės reguliavimo darbų pirma neišjungę variklio ir neatjungę uždegimo žvakės laido.



PERSPĖJIMAS: Prieš keisdami žolės pjovimo aukštį, išjunkite žoliapjovę ir atjunkite uždegimo žvakės laidą.

Šioje žoliapjovėje įrengta centrinė aukščio reguliavimo svirtis, kurią galima nustatyti 8 aukščio padėtyse.

1. Prieš keisdami žolės pjovimo aukštį, išjunkite žoliapjovę ir atjunkite uždegimo žvakės laidą.
2. Centrinė aukščio reguliavimo svirtį galima nustatyti 8 skirtingose aukščio padėtyse.

Norėdami pakeisti pjovimo aukštį, patraukite reguliavimo svirtį link rato ir pakelkite arba nuleiskite svirtį, kad pasirinktumėte norimą aukštį.

Visi ratai privalo būti sumontuoti tame pačiame aukštyje. **(28 pav.)**

8. TECHNINĖS PRIEŽIŪROS INSTRUKCIJA

UŽDEGIMO ŽVAKĖ

Pakeitimui naudokite tik originalią uždegimo žvakę. Norėdami užtikrinti geriausią darbą, keiskite uždegimo žvakę kas 100 darbo valandų.

STABDŽIŲ TRINKELĖS

Pas techninės priežiūros agentą reguliariai tikrinkite ir (arba) keiskite variklio stabdžių trinkeles. Keitimui galima naudoti tik originalias dalis.

9. TEPIMO INSTRUKCIJA



PERSPĖJIMAS: ATJUNKITE UŽDEGIMO ŽVAKĘ, PRIEŠ ATLIKdami TECHNINĖS PRIEŽIŪROS DARBUS.

1. RATAI-Patepkite kiekvieno rato rutulinius guolius neklampia alyva bent kartą per sezoną.
2. VARIKLIS-Vadovaukitės variklio naudojimo instrukcija, kaip atlikti variklio tepimą.

10. VALYMAS



PERSPĖJIMAS: Neplaukite variklio vadens žarna. Vanduo gali pažeisti variklį arba užteršti degalų sistemą.

1. Nušluostykite dugną sausu skudurėliu.
2. Nuplaukite dugną, pakreipę žoliapjovę taip, kad uždegimo žvakė būtų viršuje.

10-1 VARIKLIO ORO FILTRAS



PERSPĖJIMAS: Neleiskite, kad purvas ar dulkęs užkimštų oro filtro poroloninį elementą. Variklio oro filtro elementą reikia techniškai prižiūrėti (išvalyti) kas 25 darbo valandas. Jeigu žoliapjovė naudojama esant sauso oro sąlygoms, kuomet kyla daug dulkių, poroloninį elementą reikia valyti reguliariai.

NORĖDAMI IŠVALYTI ORO FILTRA

1. Pakeikite ašelę, esančią ant filtro dangčio. (29 pav.)
2. Nuimkite filtro dangtelį.
3. Išplaukite filtro elementą muiluotame vandenyje.

NEAUDOKITE BENZINO!

4. Palaukite, kol oro filtro elementas išdžius.
5. Užlašinkite ant poroloninio filtro kelis lašus alyvos SAE30; stipriai suspauskite jį, kad pašalintumėte alyvos perteklių.
6. Vėl sumontuokite filtrą.
7. Uždarykite filtro dangtį.

PASTABA: Jeigu filtras nusidėvėjęs, suplėšytas arba jo neįmanoma išvalyti, pakeiskite jį nauju.

10-2 PJOVIMO PEILIS



PERSPĖJIMAS: Būtinai atjunkite ir įžeminkite uždegimo žvakės laidą, prieš taisydami pjovimo peilį, kad variklis nebūtų atsitiktinai užvestas. Norėdami suimti peilius, būtinai dėvėkite pirštines arba naudokite skudurėlį. Paverskite žoliapjovę, kaip nurodyta atskiroje variklio naudojimo instrukcijoje. Nuimkite šešiakampį varžtą ir poveržlę, tvirtinančius peilį ir peilio adapterį ant variklio alkūninio veleno. Nuimkite peilį ir jo adapterį nuo alkūninio veleno.



ISPĖJIMAS: Reguliariai tikrinkite peilio adapterį, ar jis neįskilęs, ypač atsitrenkę į kokį nors pašalinį daiktą. Jei reikia, pakeiskite jį.

Norint pasiekti geriausių rezultatų, peilis turi būti aštrus. Peilį galima nuimti ir pagaląsti jį šlifavimo staklėmis arba dilde, kiek įmanoma išlaikant originalų ašmenų nuožambio kampą. Labai svarbu, kad kiekvienas peilio pjovimo kraštas būtų nugalastas vienodai, kad peilis nebūtų išbalansuotas. Netinkamas peilio balansavimas sukels pernelyg didelę vibraciją, kuri sugadins variklį ir žoliapjovę. Pagalandę, būtinai tinkamai subalansuokite peilį. Peilio balansą galima patikrinti užmovus jį ant apvalaus atsuktuvo galo. Galąskite sunkesnius peilio pusę tol, kol peilis bus tinkamai subalansuotas. (30 pav.)

Prieš vėl sumontuodami peilį ir jo adapterį ant įrenginio, patepkite variklio alkūninį veleną ir vidinį peilio adapterio paviršių neklampia alyva. Sumontuokite peilio adapterį ant alkūninio veleno. Žr. 30 pav.. Užmaukite peilį taip, kad jo dalies numeris nebūtų nukreiptas į adapterį. Uždėkite ant peilio poveržę ir įkiškite šešiakampį varžtą. Priveržkite šešiakampį varžtą, naudodami toliau nurodytą sukimo momentą.

10-3 SUKIMO MOMENTAS MONTUOJANT PEILĮ

Sucentruokite varžtą ir priveržkite jį 40 Nm–50 Nm jėga, kad būtų užtikrintas saugus įrenginio darbas. Būtinai reguliariai tikrinti VISAS veržles ir varžtus, ar jie tinkamai priveržti.

Ilgai naudojant įrenginį, ypač smėlėtose vietovėse, peilis nusidėvi ir praranda savo originalią formą. Todėl pjovimo veiksmingumas sumažėja ir peilį reikia pakeisti.

Pakeiskite seną peilį tik patvirtintu, originaliu peiliu.

Gamintojas neatsako už žalą, patirtą naudojant nesubalansuotą peilį.

Keisdami peilį, privalote naudoti originalų peilį (MAKITA 263001171) (norėdami užsakyti peilį, kreipkitės į vietos atstovą arba skambinkite mūsų bendrovei).

10-4 VARIKLIS

Variklio techninės priežiūros instrukciją žr. atskirtą variklio naudojimo instrukciją.

Tikrinkite variklio alyvą, kaip nurodyta atskiroje variklio naudojimo instrukcijoje, pateiktoje su šia žoliapjovė.

Atidžiai perskaitykite ir vadovaukitės instrukcija.

Esant įprastoms darbo sąlygoms, valykite oro filtrą, kaip nurodyta atskiroje variklio naudojimo instrukcijoje.

Kylant nepaprastai daug dulkių, valykite filtrą kas kelias darbo valandas. Prastas variklio veikimas ir užliejimas paprastai reiškia, kad reikia išvalyti oro filtrą.

Norėdami išvalyti oro filtrą, žr. atskirtą variklio naudojimo instrukciją, pateiktą kartu su šiuo įrenginiu.

Kartą per sezoną reikia nuvalyti uždegimo žvakę ir pareguliuoti tarpelį tarp žvakės ir kontakto. Sezono pradžioje rekomenduojama pakeisti uždegimo žvakę; žr. variklio naudojimo instrukciją, kurioje nurodyti techniniai duomenys apie tinkamą uždegimo žvakės tipą ir tarpelį. Reguliariai nuvalykite variklį skuduru arba šepetiu.

Aušinimo sistema (ventiliatoriaus korpuso sritis) turi būti švari, kad būtų užtikrinta tinkama oro cirkuliacija, kuri yra būtina, kad variklis tinkamai veiktų ir ilgai tarnautų. Būtinai nuvalykite nuo dulintuvo žolę, purvą ir degias šiukšles.

11. SAUGOJIMO INSTRUKCIJA (NE SEZONO METU)

Norint paruošti žoliapjovę saugojimui, reikia atlikti šiuos veiksmus:

1. Sezonus pasibaigus, paskutinį kartą panaudoję įrenginį, ištuštinkite jo baką.
 - a) Ištraukite benzina iš bako, naudodami siurbimo pompą.



PERSPĖJIMAS: Nebandykite tuštinti benzino bako uždaroje patalpoje, šalia ugnies ir pan. Nerūkykite! Benzino garai gali sukelti sprogimą arba gaisrą.

- b) Užveskite variklį ir palikite jį veikti tol, kol bus išseiktas visas likęs benzinas ir variklis užges.
 - c) Išsukite uždegimo žvakę. Į degimo kamerą įpilkite maždaug 20 ml alyvos. Kelis kartus patraukite už starterio rankenos, kad alyva tolygiai pasiskirstytų degimo kameroje. Pakeiskite uždegimo žvakę.
2. Kruopščiai nuvalykite ir patepkite žoliapjovę, kaip aprašyta pirmiau esančiame skyriuje „TEPIMO INSTRUKCIJA“.
 3. Šiek tiek patepkite pjoviklį, kad jis nesurūdytų.

4. Žoliapjovę laikykite sausoje, švarioje, nuo šalčio apsaugotoje, rakinamoje patalpoje.



PERSPĖJIMAS: Prieš pastatant žoliapjovę į vietą, jį privalo būti visiškai atvėsusi.



- PASTABA:**
- Laikant bet kokį elektrinį įrenginį nevėdinamoje patalpoje arba medžiagų sandėlyje,
 - reikia pasirūpinti, kad įrenginys būtų apsaugotas nuo korozijos. Patepkite įrenginį, ypač kabelius ir visas judamąsias dalis neklampia alyva arba silikonu.

- Būkite atsargūs, kad nesulenktumėte arba nesuraizgytumėte laidų.
- Jeigu starterio lynas atsikabintų nuo trosu kreiptuvo, esančio ant rankenos, atjunkite ir išžeminkite uždegimo žvakės laidą, nuspauskite peilio valdymo rankeną ir lėtai ištraukite starterio trosą iš variklio. Užmaukite starterio trosą ant trosu kreiptuvo varžto, esančio ant rankenos.

Gabenimas

Išjunkite variklį ir palaukite, kol jis atvės. Tada atjunkite uždegimo žvakės laidą ir ištuštinkite degalų baką pagal variklio vadove pateikiamas instrukcijas. Stumdami vejpajovę per kliūtis, būkite atsargūs, kad nesulankstytumėte ir nepažeistumėte peilio.

12. GEDIMŲ LOKALIZAVIMAS

| Problema | GALIMA PRIEŽASTIS | ATITAIŠYMAS |
|---|---|---|
| Variklis neužsiveda. | Netinkamas droselinės sklendės nustatymas pagal esamas darbo sąlygas. | Nustatykite droselinę sklendę į tinkamą padėtį. |
| | Tuščias degalų bakas. | Pripilkite baką degalų: žr. VARIKLIO NAUDOJIMO INSTRUKCIJĄ. |
| | Nešvarus oro filtro elementas. | Išvalykite oro filtro elementą: žr. VARIKLIO NAUDOJIMO INSTRUKCIJĄ. |
| | Atsilaisvino uždegimo žvakė. | Priveržkite uždegimo žvakę, naudodami 25–30 Nm sukimo momentą. |
| | Atsilaisvimo arba nukrito uždegimo žvakės laidas. | Uždėkite uždegimo žvakės laidą ant uždegimo žvakės. |
| | Netinkamas uždegimo žvakės tarpelis. | Tarp elektrodų turi būti 0,7 - 0,8 mm tarpelis. |
| | Sudegė uždegimo žvakė. | Sumontuokite naują uždegimo žvakę, tinkamai nustatydami tarpelį tarp elektrodų: žr. VARIKLIO NAUDOJIMO INSTRUKCIJĄ. |
| | Karbiuratorius užpildytas degalais. | Išimkite oro filtro elementą ir be perstojo traukite už startelio trosu, kol karbiuratorius bus išvalytas, tuomet vėl sumontuokite oro filtro elementą. |
| Sunku užvesti variklį arba variklis netenka galios. | Sugedęs uždegimo modulis. | Kreipkitės į techninio aptarnavimo centrą. |
| | Užterštas degalų bakas, bake yra vandens arba degalų nuosėdų. | Išleiskite iš bako degalus ir išvalykite baką. Į degalų baką pripilkite švarių degalų. |
| | Užsikimšo degalų bako dangtelyje esanti ventiliacijos anga. | Išvalykite arba pakeiskite degalų bako dangtelį. |
| Variklis veikia netvarkingai. | Nešvarus oro filtro elementas. | Išvalykite oro filtro elementą. |
| | Sudegė uždegimo žvakė. | Sumontuokite naują uždegimo žvakę, tinkamai nustatydami tarpelį tarp elektrodų: žr. VARIKLIO NAUDOJIMO INSTRUKCIJĄ. |
| | Netinkamas uždegimo žvakės tarpelis. | Tarp elektrodų turi būti 0,7 - 0,8 mm tarpelis. |
| Variklis prastai veikia be apkrovų. | Nešvarus oro filtro elementas. | Išvalykite oro filtro elementą: žr. VARIKLIO NAUDOJIMO INSTRUKCIJĄ. |
| | Užsikimšo variklio gaubte esančios ventiliacijos angos. | Išvalykite angose susikaupusį purvą. |
| | Užsikimšo variklio aušinimo briaunos ir oro kanalai, esantys po variklio ventiliatoriaus korpusu. | Nuvalykite purvą nuo aušinimo briaunų ir išvalykite oro kanalų. |

| Problema | GALIMA PRIEŽASTIS | ATITAIŠYMAS |
|--|--|---|
| Esant didelėms apsukoms, variklis netolygiai veikia. | Per mažas tarpelis tarp uždegimo žvakės elektrodų. | Tarp elektrodų turi būti 0,7 - 0,8 mm tarpelis. |
| Perkaista variklis. | Sutrikęs aušinimo oro srautas. | Išvalykite purvą iš gaubte esančių angų, nuo ventiliatoriaus korpuso, oro kanalų. |
| | Netinkama uždegimo žvakė. | Ant variklio sumontuokite originalią uždegimo žvakę ir aušinimo briaunas. |
| Žoliapjovė nejprastai vibruoja. | Atsilaisvino pjovimo mechanizmas. | Priveržkite peilį. |
| | Nesubalansuotas pjovimo mechanizmas. | Subalansuokite peilį. |

13. APLINKA

Jeigu po ilgo naudojimo seną įrenginį reikėtų pakeisti nauju, neišmeskite jo kartu su būtinėmis atliekomis; nuvežkite jį į atitinkamą atliekų surinkimo ir perdirbimo punktą.

14. EB ATITIKTIES DEKLARACIJA

Tik Europos šalims

EB atitikties deklaracija į šią naudojimo instrukciją įtraukta A priede.

- | | | |
|-----------------------------|--------------------------------|-------------------------------------|
| 1. Turvapiduri hoob | 10. Külgmine tühendusrenn | 19. Multšimiskiiil |
| 2. Käepideme ülemine osa | 11. Külglapp | 20. Nupp |
| 3. Vabajooksu juhik | 12. Korpus | 21. Õli täiteava kork / mõõtevarras |
| 4. Seguklapi hoob | 13. Süüteküünal | 22. Max: ülemine piir |
| 5. Starteri nõõri käepide | 14. Kütusepaagi kork | 23. Min: alumine piir |
| 6. Nõõri juhik | 15. Õli täiteava kork | 24. Sakk |
| 7. Lukustusnupp | 16. Kaabliklamber | 25. Filtrikate |
| 8. Rohukoguja | 17. Käepideme alumine osa | |
| 9. Kõrguse reguleerimishoob | 18. Kiiruse reguleerimise hoob | |

**HOIATUS:**

Lugege käesolev kasutusjuhend enda ohutuse tagamiseks enne niiduki kasutamist läbi. Juhiste eiramine võib põhjustada tõsise kehavigastuse. Iga kord, kui hakkate niidukit kasutama, kulutage kõigepealt mõned minutid sellega tutvumiseks. Hoidke see juhend kindlas kohas, et informatsioon oleks alati käepärast. Kui annate niiduki mõnele teisele inimesele, andke samuti kaasa need kasutusjuhised ja ohutuseeskirjad.

Kasutusotstarve

Niidukit võib kasutada ainult ettenähtud otstarbel. Muul otstarbel kasutamist peetakse niiduki väärkasutamiseks. Selle tagajärjel tekkinud mis tahes kahjustuste või vigastuste eest vastutab kasutaja/omanik, mitte tootja. Bensini mootoriga muruniiduk on mõeldud vaid isiklikuks kasutamiseks, st koduümbuses ja aias kasutamiseks. Muruniiduki isiklikuks otstarbeks kasutamine hõlmab aastast tööaega, mis reeglina ei ületa 50 tundi, mille jooksul niidukit kasutatakse põhiliselt väikesemõõduliste õuemurude ja kodu/hobiaedade hooldamiseks. Välistatud on niiduki kasutamine ühiskondlike rajatiste, spordihallide vms hooldamiseks ja põllumajanduses/metsanduses. Pange tähele, et niiduk ei ole mõeldud kasutamiseks äri, kaubanduslikul või tööstuslikul eesmärgil. Meie garantii on kehtetu, kui niidukit kasutatakse äri-, kaubandus- või tööstusettevõtluses vm sarnasel eesmärgil. Tootja antud kasutusjuhised tuleb alles hoida ja neid järgida, et kindlustada muruniiduki õige kasutamine ja hooldus. Juhised sisaldavad väärtuslikku teavet käitamise, hoolduse ja remondi tingimuste kohta. NB! Suure kehavigastusohu tõttu kasutajale ei tohi muruniidukit kasutada võsa, hekkide või põõsaste pügamiseks, ripptaimede, lehtlataimede või rõduäärsete heintaimede kärpimiseks, kõnniteedelt mustuse ja prahi puhastamiseks (ära imemiseks) ega puude või hekkide pügamisjääkide hakkimiseks. Samuti ei tohi muruniidukit kasutada mootorkultivaatorina väljaulatavate pindade, näiteks mutimullahunnikute silumiseks. Ohutuse tagamiseks ei tohi muruniidukit kasutada teiste tööriistade või mis tahes tööriistakomplektide vedamiseks.

1. MURUNIIDUKIL OLEVAD SÜMBOLID (tagumisel kattel)

Lugege kasutusjuhendit.



Hoidke kõrvalseisjad eemal.



Pöörake töötamise ajal rohkem tähelepanu oma kätele ja jalgadele, et vältida kehavigastusi.



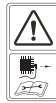
Kütus on tuleohtlik, hoidke tuli sellest eemal. Ärge lisage kütust sel ajal, kui mootor töötab.



Mürgised aarud: ärge käitage mootorit siseruumides.



Palun kandke niitmise ajal kaitseprille ja kõrvaklappe.



Eemaldage süüteküünla piip enne parandustööde teostamist niidukil. Seejärel remontige niidukit vastavalt kasutusjuhendile.



Ettevaatust: Mootor on kuum.

2. PÕHILISED OHUTUSNÕUDED



HOIATUS: Bensiinimootoriga seadmeid kasutades tuleb alati järgida peamisi ettevaatusabinõusid, et vähendada tõsise kehavigastuse tekke ja/või seadme kahjustamise ohtu. Lugege kasutusjuhend enne niiduki kasutamist tähelepanelikult läbi ja hoidke see alles, et saaksite seda vajadusel uuesti lugeda.



HOIATUS: See masin tekitab töötamise ajal elektromagnetilise välja. Mõningatel juhtudel võib see või mõjutada aktiivseid või passiivseid meditsiinilisi implantaate. Soovitame meditsiiniliste implantaatidega isikutel enne antud masina kasutamist pidada tõsise või eluohtliku vigastuse vältimiseks nõu arsti ja meditsiinilise implantaadi tootjaga.

Väljaõpe

- Lugege tähelepanelikult juhiseid. Õppige põhjalikult tundma seadme juhtimiseadiseid ja niiduki õiget kasutamist. Õppige selgeks, kuidas mootorit kiiresti seisata.
- Kasutage muruniidukit ainult ettenähtud otstarbel, s.t niitmiseks ja rohu kogumiseks. Igasugune muu kasutusviis võib olla ohtlik ja niidukit kahjustada. Väärkasutuse näited on muu hulgas järgmised:
 - inimeste, s.h laste, või loomade transportimine masinal;
 - transportimine masina abil;
 - masina kasutamine koormate pukseerimiseks või lükkamiseks;
 - masina kasutamine lehtede ja prahi kogumiseks;
 - masina kasutamine hekkide pügamiseks, juurviljapealsete jm taimede, mis pole rohi, lõikamiseks;
 - masina kasutamine korraga rohkem kui ühe isiku poolt;
 - lõiketera kasutamine muudel kui rohuga kaetud pindadel.
- Mitte mingil juhul ärge lubage muruniidukit kasutada lastel ega isikutel, kes pole tutvunud käesoleva kasutusjuhendiga. Kohalikud määrused võivad seada piiranguid kasutaja vanusele.
- Muruniidukit ei tohi kasutada järgmistel juhtudel:
 - kui läheduses viibivad inimesed (eriti lapsed) või lemmikloomad;
 - kui operaator on tarvanud ravimeid või aineid, mis võivad mõjutada tema reageerimis- ja kontsentreerimisvõimet.
- Pidage meeles, et muruniiduki omanik või kasutaja vastutab teistele isikutele põhjustatud vigastuste või nende varale tekitatud kahjustuste eest.
- Niiduki kasutajad peavad saama korraliku väljaõppe niiduki kasutamise, reguleerimise ja käitamise, samuti keelatud toimingute alal.

Ettevalmistus

- Kandke niitmise ajal alati tugevaid jalatseid ja pikki pükse. Ärge töötage niidukiga, kui olete paljajalu või kannate lahtisi sandaale.

- Kontrollige hoolikalt niidetavat ala ja eemaldage sealt kõik esemed, nagu näiteks kivid, mänguasjad, puurokad ja juhtmed, mis võivad niidukile ette jäädes üles paiskuda.
- HOIATUS: Bensiin on väga tuleohtlik.
 - Hoidke kütust selleks ettenähtud mahutites.
 - Lisage kütust ainult välitingimustes ja ärge suitsetage samal ajal.
 - Lisage kütust enne mootori käivitamist. Ärge eemaldage kütusepaagiilt korki ega lisage sinna kütust, kui mootor töötab või on kuum.
 - Kui olete bensiini maha loksutanud, siis ärge püüdke mootorit käivitada, vaid viige niiduk sellest piirkonnast eemale ja vältige enne bensiinaurude hajumist kõikvõimalikke süttimisallikaid.
 - Keerake kütusepaagi ja -mahuti korgid tugevasti kinni.
- Vahetage kahjustunud summutid välja.
- Kontrollige alati enne kasutamist, kas lõiketera, lõiketera poldid ja niiduki korpus pole kulumud või vigastatud. Vahetage kulumud või kahjustunud terad ja poldid komplektina välja, et tagada niiduki ühtlane kulumine.
- Kontrollige regulaarselt, et kõik käivitusblokeeritud ja kasutaja juhtimiseadised töötavad korralikult.

Kasutamine

- Ärge käituge mootorit kinnises ruumis, kuhu võivad koguneda mürgised süsinikmonooksiidi (vingugaas) aured.
- Ärge kasutage niidukit, kui olete väsinud, haige või alkoholi või uimastite mõju all.
- Hoiatus! Ärge kasutage muruniidukit, kui esineb süttimisoht.
- Niidukiga töötamise aega on soovitatav piirata, et minimeerida müra ja vibratsioonist tingitud riske.
- Olge ettevaatlik muruniiduki kasutamisel nõlvadel ja murdepinna, kraavide või tammide lähedal.
- Niitke ainult päeval valguses või hea tehisolgustuse korral.
- Võimaluse korral vältige märja muru niitmist.
- Jälgige kallakutel alati, et teil oleks kindel jalgealune.
- Kõndige, ärge jookske.
- Edasiveoga niidukite puhul niitke kallakutel ristisuunas, mitte kunagi üles-alla suunas.
- Olge kallakutel liikumissuunda muutes äärmiselt ettevaatlik.
- Ärge niitke liiga järskul kallakutel.
- Olge tagurdamisel või muruniiduki enda poole tõmbamisel äärmiselt ettevaatlik.
- Seisake lõiketera(d), kui muruniidukit tuleb mootori töötamise ajal kallutada, et liikuda üle alade, mis ei ole muruga kaetud, ning siis, kui viite muruniidukit niitmisalale või sealt ära.
- Ärge mitte mingil juhul kasutage muruniidukit, mille kaitsekatted on vigastatud või millel puuduvad ohutusseadised (nt suunaja ja/või rohkoguja peavad olema õigesti paigaldatud).
- Ettevaatus! Ärge kasutage muruniidukit, kui rohkoguja või isesulguv väljaviskeava kaitsekate pole oma kohal.
- Ärge muutke mootori pöörde regulaatori seadistust ning ärge ületage mootori maksimaalselt lubatud pöörlemissagedust.

- Ärge muutke ega eemaldage ühtegi pitseeritud ühendust mootori töökiiruse reguleerimiseks.
- Muruniiduki turvasüsteeme või -elemente ei tohi omavoliliselt muuta ega kahjustada.
- Vabastage enne niiduki käivitamist kõik lõiketerad ja ajami sidurid.
- Käivitage mootor vastavalt juhistele, hoides jalgu lõiketerast (lõiketeradest) ohutus kauguses.
- Ärge kallutage muruniidukit mootori käivitamise ajal.
- Ärge seiske mootori käivitamise ajal väljaviskerenni ees.
- Ärge pange käsi ja jalgu pöörlevate osade lähedale ega nende alla. Hoidke väljaviskeava alati takistustest puhtana.
- Mitte mingil juhul ärge tõstke ega kandke muruniidukit sel ajal, kui mootor töötab.
- Seisake mootor ja ühendage süüteküünla juhe lahti; veenduge, et kõik liikuvad osad on täielikult seiskunud; ja eemaldage mutrivõti, kui see on niiduki küljes:
 - enne takistuste eemaldamist muruniidukist või ummistuste kõrvaldamist väljaviskerennist;
 - enne kontrollimist, puhastamist või mis tahes muude tööde teostamist muruniidukil;
 - pärast pöörumist vastu võõrkeha. Kontrollige, et muruniiduk ei oleks kahjustunud. Teostage enne niiduki käivitamist ja niitma hakkamist vajalikud parandustööd;
 - kui muruniiduk hakkab ebatavaliselt vibreerima (kontrollige kohe).
- Seisake mootor ja ühendage süüteküünla juhe lahti; veenduge, et kõik liikuvad osad on täielikult seiskunud; ja eemaldage mutrivõti, kui see on niiduki küljes:
 - alati, kui lahkute muruniiduki juurest;
 - enne kütuse lisamist.
- Vähendage seguklapi ava seadistust mootori väljalülitamise ajal ja juhul, kui mootor on varustatud kütusekraaniga, siis sulgege see niitmise lõpetamisel.
- Kasutage muruniidukit ainult ettenähtud otstarbel, s.t niitmiseks ja rohu kogumiseks. Igasugune muu kasutusviis võib olla ohtlik ja niidukit kahjustada.

Hoolitus ja hoiustamine

- Jälgige, et kõik mutrid, poldid ja kruvid oleksid tugevasti kinni keeratud. Nii tagate niiduki ohutu töötamise.
- Ärge kunagi hoidke niidukit, mille paagis on kütust, suletud ruumis, sest kütuseaurud võivad kokku puutuda lahtise tule või sädemetega.
- Laske mootoril enne niiduki kinnisesse ruumi viimist maha jahtuda. Enne hoiustamist puhastage ja hoolitage muruniiduk.
- Tuleohu vältimiseks hoidke mootori, summuti, akukorpuse ja bensiinipaagi piirkond rohust, lehtedest ja liigest määrdet puhtana.
- Kontrollige regulaarselt rohuokogajat kulumise või vigastuste kindlakstegemiseks.
- Ohutuse tagamiseks vahetage kulunud või kahjustunud osad uute vastu.
- Kui kütusepaak vajab tühendamist, tuleb seda alati teha välitingimustes.
- Ebaõige hoolitus, mitterahuldavate varuosade kasutamine või turvaelementide eemaldamine või muutmine võib põhjustada muruniiduki kahjustumise ja kasutaja raske vigastuse.

- Kasutage ainult tootja poolt soovitatud lõiketerasid ja varuosi. Mitteoriginaalosalade kasutamine võib niidukit kahjustada ja kasutajat vigastada. Hoidke muruniidukit heas töökorras.
- Kui lõiketera pidurdusseade ei tööta, pöörduge abi saamiseks teeninduskeskusesse.

Transportimine ja teisaldamine

- Masina teisaldamise, tõstmise, transportimise või kallutamise ajal peate:
 - kandma tugevaid töökindaid;
 - haarama masinast kinni nendes punktides, mis võimaldavad ohutut haaret, võttes arvesse masina kaalu ja selle jaotumist;
 - kasutama sobivat arvu inimesi vastavalt masina kaalule ja sõiduki või selle koha omadustele, kuhu masin tuleb asetada.
- Transportimise ajal kinnitage masin kindlalt nööri või kettidega.



HOIATUS: Ärge puudutage pöörlevat lõiketera.



HOIATUS: Lisage kütust hästi ventileeritud kohas seisatud mootoriga.

3. MURUNIIDUKI OSADE KIRJELDUS (Joon. 1)

Komplekti kuuluvad

A: Süüteküünlavõti

4. TEHNILISED ANDMED

| Mudel | PLM5600N2 |
|-----------------------------|--------------------------------------|
| Mootori tüüp | B&S 675EXI seeria, ReadyStart |
| Iseliku | Jah |
| Mootori töömaht | 163 cm ³ |
| Nimivõimsus | 2,6 kW |
| Tera laius | 560 mm |
| Nominaalne pöörlemissagedus | 2800 p/min |
| Kütusepaagi maht | 1,0 l |
| Õliipaagi maht | 0,47 l |
| Rohukoguja maht | 70 l |
| Netomass | 37,2 kg |
| Kõrguse reguleerimine | 25 – 70 mm, 8 reguleeritavat kõrgust |

| Mudel | PLM5600N2 |
|---|---|
| Garanteeritud helirõhu tase kasutaja töökojal (standardi EN ISO 5395-1 lisa F ja standardite EN ISO 5395-2, EN ISO 4871 kohaselt) | 88,5 dB (A) (K=3 dB (A)) |
| Mõõdetud müratugevuse tase Garanteeritud müratugevuse tase (2000/14/EÜ kohaselt) | 96,3 dB (A) K=1,86 dB (A) 98 dB (A) |

| | |
|--|---|
| Mudel | PLM5600N2 |
| Vibratsioon (standardi EN ISO 5395-1 lisa G ja standardi EN ISO 5395-2 kohaselt) | 7,90 m/s ² K=1,5 m/s ² |

5. KOKKUPANEK

5-1 KOKKUPANDAVA KÄEPIDEME MONTEERIMINE

1. Kinnitage käepideme alumine osa käepideme toendi külge poldi, seibi ja lukustusnupuga. (**Joon. 2, joon. 3**)
2. Ühendage käepideme ülemine ja alumine osa lukustusnupu abil. (**Joon. 4, joon. 5**)
3. Seadke kaabel ümber käepideme alumise osa toru keskkoha ava. Kinnitage see kaabliklambriga ja veenduge, et kaabel kinnitatakse ümber käepideme selle välisküljele. (**Joon. 6**) Vastasel juhul võib kaabel jääda tagumise katte avamisel/sulgemisel selle vahele.

5-2 SOBIVA KÄEPIDEME KÕRGUSE SEADISTAMINE

- 1) Keerake käepideme alumist osa kinnitav lukustusnupp välja.
- 2) Liigutage käepideme alumist osa üles ja alla ning reguleerige see sobivale kõrgusele. Sellist tüüpi muruniidukil saab valida kolme reguleeritava kõrguse vahel; kõrguse asendis 1 paikneb käepideme alumine osa maapinna suhtes kõige kõrgemas asendis; kõrguse asendis 3 paikneb käepideme alumine osa maapinna suhtes kõige madalamas asendis. (**Joon. 7**)
- 3) Pärast käepideme alumise osa reguleerimist sobivale kõrgusele kinnitage see lukustusnupuga. (**Joon. 8**)

5-3 ROHUKOGUJA PAIGALDAMINE JA EEMALDAMINE

1. Paigaldamine: tõstke tagumine kate üles ja haakige rohukoguja niiduki tagaosa külge. (**Joon. 9, joon. 10**)
2. Eemaldamine: tõstke tagumine kate üles ja eemaldage rohukoguja.

5-4 STARTERI NÖÖRI KÄEPIDE

Viige starteri nõõri käepide mootorist starteri nõõri juhikusse. (**Joon. 11**)

5-5 LÕIKEKÕRGUS

Hoova vabastamiseks hammaste tagant suruge seda väljapoole. Lõikekõrguse reguleerimiseks lükake hooba ette- või tahapoole. (**Joon. 12 ja vt punkti 7-9**)

6. FUNKTSIOON

Neid muruniidukeid saab tavafunktsioonilt ümber seadistada vastavalt kasutuseesmärgile: taha kogumisega muruniidukist:

1. multšimisniidukiks või
 2. külgmise väljaviskega niidukiks.
- Mis on multšimine?

Multšimise puhul rohi kõigepealt lõigatakse, seejärel hekseldatakse peeneks ja juhatakse niidetud rohule loodusliku väetisena tagasi.

Nõuandeid multšimisega niitmiseks:

- niitke muru regulaarselt maks. 2 cm võrra lühemaks (rohu kõrguselt 6 cm kuni kõrguseni 4 cm);
- kasutage teravat lõiketera;
- ärge niitke märga rohtu;
- Seadke mootori pöörlemiskiirus maksimaalseks.
- niitke ainult normaalses töötempos;
- puhastage regulaarselt multšimiskilu, korpuse sisemist poolt ja lõiketera.

Käivitaminine

6-1 Ümberseadistamine multšimisniidukiks



HOIATUS: Teostage järgmisi toiminguid ainult siis, kui mootor on seisatud ja lõiketera ei liigu.

1. Tõstke tagumine kate üles ja eemaldage rohukoguja.
2. Lükake multšimiskilil korpuse alla. Lukustage multšimiskilil nupu abil korpuse all olevasse avausse. (**Joon. 13, joon. 14**)
3. Laske tagumine kate uuesti alla. (**Joon. 15**)
4. Tõstke külglapp üles ja eemaldage külgmise tühjendusrenn.

6-2 Ümberseadistamine külgmise väljaviskega niidukiks



Ainult siis, kui mootor on seisatud ja lõiketera ei liigu!

1. Tõstke tagumine kate üles ja eemaldage rohukoguja.
2. Lükake multšimiskilil korpuse alla. Lukustage multšimiskilil nupu abil korpuse all olevasse avausse.
3. Tõstke külglapp küljelt tühjendamiseks üles. (**Joon. 16**)
4. Paigaldage külgmise tühjendusrenn küljelt tühjendamiseks külglapi tugihtvile. (**Joon. 17**)
5. Langelage külglapp – külglapp toetub külgmisele tühjendusrennile. (**Joon. 18**)

6-3 Niitmine koos rohukogujaga



HOIATUS: Ainult siis, kui mootor on seisatud ja lõiketera ei liigu.

Kui niitmisel kasutatakse ka rohukogujat, siis tuleb multšimiskilil ja külgmise tühjendamise jaoks ette nähtud külgmise tühjendusrenn eemaldada ning paigaldada rohukoguja.

1. Multšimiskililu eemaldamine.
 - Tõstke tagumine kate üles ja eemaldage multšimiskilil.
2. Külgväljaviske väljaviskekanali eemaldamine.
 - Tõstke külgtiiba ja eemaldage külgväljaviske kanal.
 - Külgtiib sulgeb korpuse väljaviskeava automaatselt vedrujõul.
 - Puhastage külgtiiba ja väljaviskeava regulaarselt rohujääkidest ja kogunenud mustusest.
3. Rohukoguja paigaldamine.
 - Tõstke tagumine kate üles ja haakige rohukoguja niiduki tagaosa külge.

7. TÖÖ JUHISED

7-1 ENNE MOOTORI KÄIVITAMIST

Kasutage mootoris ainult sellist bensiini ja õli, nagu on kindlaks määratud eraldi mootori kasutusjuhendis, mis on teie niidukiga kaasa pandud. Lugege tähelepanelikult juhiseid. (Joon. 19, joon. 20, joon. 21)



HOIATUS: Bensiin on väga tuleohtlik.

Hoidke kütust selleks ettenähtud mahutites.

Lisage kütust ainult välisingimustes, tehke seda enne mootori käivitamist ning ärge suitsetage kütuse lisamise või käsitsemise ajal.

Ärge eemaldage kütusepaagilt korki ega lisage sinna kütust, kui mootor töötab või on kuum.

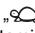
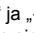
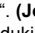
Kui olete bensiini maha loksutanud, siis ärge püüdke mootorit käivitada, vaid viige niiduk sellest piirkonnast eemale ja vältige enne bensiinaurade hajumist kõikvõimalikke süttimisohte.

Keerake kütusepaagi ja -mahuti korgid tugevasti kinni. Lõiketera hooldamiseks või õli välja kallamiseks ühjärgendage kütusepaak enne muruniiduki kallutamist.



HOIATUS: Ärge kunagi lisage kütust paaki suletud ruumis ega siis, kui mootor töötab. Kui mootor on äsja töötanud, siis oodake enne kütuse lisamist vähemalt 15 minutit.

7-2 MOOTORI KÄIVITAMINE JA LÕIKETERA SISSELÜLITAMINE

1. Niiduki süüteküünal on varustatud kummist piibuga, mis asub süüteküünla peal. Veenduge, et süüteküünla juhtme otsas olev metallist aas (kummist piibu sees) oleks tugevasti kinnitatud süüteküünla metallist otsa peale.
2. Külma või sooja mootori käivitamisel keerake seguklapi hoob „“ ja „“ vahelisse soovitud asendisse. Töötamise ajal keerake seguklapi hoob asendisse „“. (Joon. 22)
3. Seistes muruniiduki taga, haarake kinni turvapiduri hoovast ja hoidke seda vastu käepideme ülemist osa, nagu on näidatud **joon. 23**.
4. Haarake kinni starteri nõõri käepidemest, nagu on näidatud **joon. 23**, ja tõmmake seda kiiresti. Kui mootor käivitub, juhtige käepide aeglaselt starteri nõõri juhiku taha tagasi.

Mootori ja lõiketera seiskamiseks vabastage turvapiduri hoob.



Käivitage mootor vastavalt juhistele, hoides jalgu lõiketerast ohutus kauguses.



Ärge kallutage muruniidukit mootori käivitamise ajal. Käivitage muruniiduk tasasel pinnal, kus ei ole kõrget rohtu ega takistusi.



Hoidke käed ja jalad eemal pöörlevatest osadest. Ärge seiske mootori käivitamise ajal väljaviskeava ees.

7-3 TÖÖPROTSEDUURID

Hoidke niitmise ajal turvapiduri hooba mõlema käega tugevasti vastu käepidet.



Märkus: Kui turvapiduri hoob niitmise ajal vabastatakse, siis mootor seiskub, peatades seeläbi muruniiduki tööd.



Hoiatus: Et vältida muruniiduki tahtmatut sisselülitamist, on see varustatud mootoripiduriga, mis tuleb tagasi tõmmata, enne kui mootori saab käivitada. Kui mootori juhtkang on vabastatud, peab see algasendis tagasi minema, mille puhul mootor lülitub automaatselt välja.



Märkus: Mootoripidur (piduri hoob). Mootori peatamiseks kasutage hooba. Kui te hooba vabastate, peatuvad mootor ja lõiketera automaatselt. Niitmiseks hoidke hoob tööasendis. Enne niitmise alustamist kontrollige korduvalt käivitamise/peatamise hooba veendumaks, et see töötab korralikult. Veenduge, et pingutuskaabel töötab sujuvalt (st ei ole kuidagi kinni jäänud või paindunud).

7-4 MOOTORI SEISKAMINE

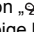



ETTEVAATUST: Lõiketera jääb pärast mootori väljalülitamist mõneks sekundiks pöörlema.

1. Mootori ja lõiketera seiskamiseks vabastage turvapiduri hoob. (Joon. 24)
2. Ühendage süüteküünla juhe lahti ja maandage see, nagu kaasasolevas mootori kasutusjuhendis on õpetatud, et vältida ootamatut käivitumist sel ajal, kui niiduk on jäetud järelevalveta.

7-5 ÜHENDUS AUTOMAATSE LIIKUMISE JAOKS

Muruniiduki liikumiskiirust saab reguleerida vastava süsteemi abil, mis võimaldab valida 3 kiiruse vahel (3,0 km/h kuni 4,5 km/h).

Positsioon „“: kõige aeglasem positsioon; positsioon „“: kõige kiirem positsioon. (Joon. 25)

Toimige järgnevalt:

1. Laske vabajooksu juhik lahti, kuni muruniiduk ei liigu enam edasi;
2. Reguleerige teile sobivale kiirusele;
3. Haarake vabajooksu juhikust, et jätkata niitmist. (Joon. 26)



ETTEVAATUST: Teie muruniiduk on mõeldud niitma tavalist elumajade ümber olevat muru, mille kõrgus ei ületa 250 mm.

Ärge üritage niita ebaharilikult kõrget või märga rohtu (nt heinamaad) või niita läbi kuivanud lehekuhjade. Praht võib koguneda niiduki korpusele või puutuda vastu mootori väljalasketoru, mis võib viia tulekahjuni.

7-6 PARIMATE TULEMUSTE SAAVUTAMINE NIITMISEL

Puhastage muru prahist. Veenduge, et murul pole kive, pulkaskid, traati või muid võõrkehi, mis võivad lõiketerade külge takerdudes ootamatult mis tahes suunas laiali paiskuda ning põhjustada tõsise kehavigastuse niiduki kasutajale ja teistele isikutele, samuti kahjustada vara ja muid ümbritsevaid esemeid. Ärge niitke märga rohtu. Tõhusamaks niitmiseks ärge niitke märga rohtu, sest see kipub korpuse alumisele küljele kleepuma, takistades mahaloigatud rohu õiget liikumist. Ärge niitke korraga maha rohkem kui 1/3 rohu esialgsest kõrgusest. Niitmise puhul on soovitatav maha niita 1/3 rohu esialgsest kõrgusest. Liikumiskiirus tuleks reguleerida selliseks, mis võimaldab tükeldatud rohtu ühtlaselt murule laiali puistata. Eriti tiheda rohu puhul tuleks vajadusel kasutada ühte kõige aeglasematest kiirustest, et saavutada ühtlane hästi niidetud muru. Kui niidate kõrget rohtu, peaksite muru niitma kaks korda, langetades lõiketera teisel niitmisel veel 1/3 võrra esialgsest kõrgusest ning niites võib-olla mõne teise mustri järgi kui esimesel korral. Niiduradade väike kattuvus niitmisel aitab samuti saada ühtlasemat murupinda. Niiduk peaks alati töötama maksimaalsel pöörete arvul, et saavutada parim lõikus ja võimaldada niidukil niita kõige tõhusamalt. Puhastage niiduki korpuse alumist poolt. Puhastage korpuse alumist poolt kindlasti pärast igat kasutamist, et vältida rohu kogunemist, mis võib takistada õiget multšimist. Niitmise läbi lehtede. Lehtede niitmine on samuti kasulik teie murule. Lehtede niitmisel veenduge, et need on kuivad ega paikne rohul liiga paksu kihina. Ärge oodake seni, kuni kõik lehed on puudelt maha langenud, enne kui niitma hakkate.



HOIATUS: Kui niiduk pörkub vastu võõrkeha, seisake mootor. Eemaldage süüteküünalt juhe, kontrollige niidukit põhjalikult, kas sellel pole kahjustusi, ja enne niiduki uuesti käivitamist teostage vajalikud parandustööd. Niiduki liiga suur vibratsioon töötamise ajal viitab kahjustusele. Niidukit tuleks kohe kontrollida ja remontida.

7-7 ROHUKOGUJA

Tagumise katte peal paikneb läbipaistev aken, mille kaudu saate näha rohu seisukorda rohukogujas. Kui rohukoguja on rohtu täis, peate seda tühjendama ja puhastama. Veenduge, et rohukoguja on puhas ning tuulutage selle võrku. (Joon. 27)

7-8 KORPUS

Niiduki korpuse alumist poolt tuleks puhastada pärast igat kasutamist, et vältida niidetud rohu, lehtede, mulla ja muude võõrkehade kogunemist. Kui prügil lastakse koguneda, võib see põhjustada korrosiooni ja takistada nõuetekohast multšimist. Korpuse puhastamiseks võib niidukit kallutada ja kraapida seda puhtaks sobiva tööriistaga (kontrollige, et süüteküünla juhe oleks lahti ühendatud).

7-9 LÕIKEKÕRGUSE REGULEERIMISE JUHISED



ETTEVAATUST: Mitte mingil juhul ei tohi muruniiduki reguleerimistööd teha enne, kui te pole kõigepealt seisanud mootorit ja ühendanud lahti süüteküünla juhet.



ETTEVAATUST: Jätke niiduk enne lõikekõrguse muutmist seisma ja ühendage süüteküünla juhe lahti.

Teie niiduk on varustatud ühe tsentraalse kõrguse reguleerimishoovaga, mis võimaldab valida 8 kõrguse asendi vahel.

1. Jätke niiduk enne lõikekõrguse muutmist seisma ja ühendage süüteküünla juhe lahti.
2. Tsentraalne kõrguse reguleerimishoob võimaldab teil kasutada 8 erinevat kõrguse asendit.

Lõikekõrguse muutmiseks suruge reguleerimishooba ratta suunas ja liigutage seda üles- või allapoole valitud kõrgusele.

Kõik rattad jäävad samale lõikekõrgusele. (Joon. 28)

8. HOOLDUSJUHISED

SÜÜTEKÜÜNAL

Kasutage väljavahetamiseks ainult originaalset süüteküünalt. Parimate tulemuste saavutamiseks vahetage süüteküünal välja iga 100 töötunni järel.

PIDURIKLOTSID

Laske mootori piduriklotse hooldusteeninduses regulaarselt kontrollida ja/või vahetada; asendamiseks võib kasutada ainult originaalosi.

9. MÄÄRIMISJUHISED



ETTEVAATUST: ÜHENDAGE SÜÜTEKÜÜNLA JUHE ENNE HOOLDUST LAHTI.

1. RATTAD. Määrige kõigi rataste kuullaagreid vähemalt üks kord hooaja jooksul kerge õliga.
2. MOOTOR. Järgige mootori kasutusjuhendis antud määrimisjuhiseid.

10. PUHASTAMINE



ETTEVAATUST: Ärge kasutage mootorit puhastamiseks veejuga. Vesi võib mootorit kahjustada või saastada kütusesüsteemi.

1. Puhastage korpust kuiva lapiga.
2. Puhastage niiduki korpuse alumist poolt veejoaga, kallutades niidukit niimoodi, et süüteküünal jääb ülespoole.

10-1 MOOTORI ÕHUPUHASTI



ETTEVAATUST: Ärge laske mustusel või tolmul ummistada õhufiltri porolooonelementi. Mootori õhupuhasti elementi tuleb hooldada (puhastada) iga 25 töötunni järel normaalsetes tingimustes niitmise korral. Porolooonelementi tuleb hooldada regulaarselt, kui muruniidukit kasutatakse kuivades tolmustes tingimustes.

ÕHUFILTRI PUHASTAMINE

1. Tõstke filtri katte sakk üles. (Joon. 29)
2. Eemaldage filtrikate.
3. Peske filtri elementi seebivees. **ÄRGE KASUTAGE BENSIINI!**
4. Laske filtri elemendil õhu käes kuivada.
5. Tilgutage poroloonfiltrile mõned tilgad SAE30 õli ja pigistage kõvasti, et liigne õli eemaldada.
6. Paigaldage filter tagasi.
7. Sulgege filtri kate.

MÄRKUS: Vahetage filter välja, kui see on hõredaks kulunud, rebenenud, muul viisil kahjustunud või siis, kui seda ei saa enam puhastada.

10-2 LÕIKETERA



ETTEVAATUST: Ühendage süüteküünla juhe enne lõiketera kallal töötamist kindlasti lahti ja maandage see, et vältida mootori juhuslikku käivitumist. Kaitske käsi, kandes pakse kindaid või kasutage lõiketerade haaramiseks lappi. Kallutage niidukit niimoodi, nagu kaasasolevas mootori kasutusjuhendis on kindlaks määratud. Eemaldage kuuskantpolt ja seib, mis hoiavad lõiketera ja lõiketera adapterit mootori vāntvõlli küljes kinni. Eemaldage lõiketera ja lõiketera adapter mootori vāntvõlli küljest.



HOIATUS: Kontrollige regulaarselt lõiketera adapterit, et sellel poleks pragusid, eelkõige siis, kui niiduk on pörkunud vastu võõrkeha. Vajadusel vahetage adapter välja. Parimate tulemuste saavutamiseks peab lõiketera olema terav. Lõiketera saab uuesti teritada. Selleks tuleb see eemaldada ning teritada või viilida lõikeserva, säilitades võimalikult täpse originaalfaasi. Väga tähtis on, et kõiki lõikeservi viilatakse ühtlaselt, vāltimaks lõiketera tasakaalustamatust. Lõiketera vale tasakaal põhjustab ülemäärast vibratsiooni, mille tagajärjel võivad tekkida juhuslikud mootoririkked ja niiduki kahjustused. Pärast lõiketera teritamist tasakaalustage seda hoolikalt. Lõiketera tasakaalu saab kontrollida, tasakaalustades lõiketera ümara varrega kruvikeerajal. Eemaldage metalli raskemalt küljelt, kuni lõiketera tasakaalustub ühtlaselt. (Joon. 30)

Enne lõiketera ja adapteri monteerimist seadme külge määrige mootori vāntvõlli ja lõiketera adapteri sisemist pinda kerge õliga. Paigaldage lõiketera adapter vāntvõlli külge. Vt **joon. 30**. Paigaldage adapter lõiketera sellele küljele, millel pole osa numbrit. Seadke seib lõiketera auguga kohakuti ja sisestage kuuskantpolt. Pingutage kuuskantpolti vastavalt alpool antud pöördemomendile.

10-3 LÕIKETERA MONTEERIMISE PÖÖRDEMOMENT

Keskkohta polt 40 Nm – 50 Nm, et tagada seadme ohutu töötamine. Kontrollige regulaarselt, et KÕIK mutrid ja poldid oleksid korralikult kinni keeratud. Pärast pikaajalist töötamist, eriti liivasel pinnal, lõiketera kulub ja kaotab mingil määral oma originaalse kuju. Selle tagajärjel niitmise tõhusus väheneb ning lõiketera tuleks välja vahetada. Kasutage väljavahetamiseks ainult tehase poolt heakskiidetud lõiketera. Tootja ei vastuta lõiketera tasakaalustamatuse tagajärjel tekkida võivate kahjustuste eest. Kasutage väljavahetamiseks ainult originaalset lõiketera, mille tüüp on märgitud lõiketerale (MAKITA 263001171) (lõiketera tellimiseks pöörduge kohaliku müügiesindaja poole või helistage meie ettevõttesse, vt kaanelt).

10-4 MOOTOR

Lugege mootori hooldusjuhiseid eraldi mootori kasutusjuhendist.

Sāilitage mootoriõli vastavalt mootori kasutusjuhendis antud juhistele. Lugege ja järgige juhiseid tähelepanelikult.

Kui töotate muruniidukiga normaalsetes tingimustes, siis hooldage õhupuhastit vastavalt mootori kasutusjuhendis antud juhistele.

Kui töotate väga tolmustes tingimustes, siis puhastage õhupuhastit iga mõne tunni järel. Mootori väike jõudlus ja ülejutus viitavad tavaliselt sellele, et õhupuhastit tuleks hooldada.

Lugege õhupuhasti hooldusjuhiseid teie niidukiga kaasasolevas mootori kasutusjuhendist.

Süüteküünalt tuleks puhastada ja elektroodide vahet reguleerida üks kord hooaja jooksul. Soovitatav on, et vahetaksite süüteküünla välja iga niitmishooaja alguses. Kontrollige mootori kasutusjuhendist õiget süüteküünla tüüpi ja elektroodide vahe tehnilisi nõudeid.

Puhastage mootorit regulaarselt lapi või harjaga. Hoidke jahutussüsteem (ventilaatori korpuse piirkond) puhtana, et vōimaldada nõuetekohast õhuringlust, mis on oluline mootori jõudluse ja ettenāhtud kasutusea sāilitamiseks. Eemaldage summuti piirkonnast kindlasti kogu rohi, muld ja tuleohtlik prügi.

11. HOIUSTAMISE JUHISED (PĀRĀST HOOAJA LÕPPEMIST)

Muruniiduki ettevalmistamisel hoiustamiseks tuleb teostada järgmised toimingud.

1. Kütusepaak tuleb pärast hooaja viimast niitmist tühjaks lasta.

a) Tühjendage bensiinipaak imipumba abil.



ETTEVAATUST: Ärge tühjendage niidukit bensiinist suletud ruumis, lahtise tule läheduses jne. Ärge suitsetage! Bensiiniaurud võivad põhjustada plahvatuse või tulekahju.

b) Käivitage mootor ja laske sel töötada seni, kuni kogu bensiin on āra tarbitud ja mootor seiskub.

c) Eemaldage süüteküünal. Lisage põlemiskambris õlikannu abil u. 20 ml õli. Kasutage õli ühtlaseks jaotumiseks põlemiskambris starterit. Vahetage süüteküünal välja.

2. Puhastage ja määrige muruniidukit hoolikalt, nagu on kirjeldatud osas „MÄÄRIMISJUHISED“.
3. Määrige veidi ka lõiketera, et vältida roostetamist.
4. Hoidke muruniidukit kuivas, puhtas, pakase ja kõrvaliste isikute eest kaitstud kohas.

- Jälgige, et te ei painutaks kaableid ega ajaks neid keerdu.
- Kui starteri nõör eemaldub käepidemel olevast nõöri juhikust, ühendage süüteküünla juhe lahti ja maandage see. Vajutage turvapiduri hoob alla ja tõmmake starteri nõör aeglaselt mootorist välja. Libistage starteri nõör käepidemel olevasse nõöri juhikusse.



ETTEVAATUST: Mootor peab enne muruniiduki hoiule panekut olema täiesti maha jahtunud.



MÄRKUS:

- Mis tahes tüüpi elektriseadmete hoiustamisel ventilatsioonita ruumis või materjalilao varjualuses tuleks seadet kindlasti kaitsta roostetõrjevahendiga.
- Kasutage kerget õli või silikooni ning kandke seda seadmele, eelkõige kaablitele ja kõigile liikuvatele osadele.

Transportimine

Lülitage mootor välja ja laske mootoril jahtuda. Siis ühendage süüteküünla juhe lahti ja tühjendage kütusepaak vastavalt mootori kasutusjuhendis toodud juhistele. Veenduge, et niiduki lükkamisel üle takistuste ei painutataks ega kahjustataks lõiketera.

12. VEAOTSING

| PROBLEEM | VÕIMALIK PÕHJUS | VEA KÕRVALDAMINE |
|---|--|---|
| Mootor ei käivitu. | Seguklapi asend ei vasta töötingimustele. | Viige seguklapp õigesse asendisse. |
| | Kütusepaak on tühi. | Lisage paaki kütust. Vt MOOTORI KASUTUSJUHEND. |
| | Õhupuhasti element on määrdunud. | Puhastage õhupuhasti elementi. Vt MOOTORI KASUTUSJUHEND. |
| | Süüteküünal on lahti. | Pingutage süüteküünalt, kasutades pöördemomenti kuni 25–30 Nm. |
| | Süüteküünla juhe on lahti või süüteküünla küljest lahti ühendatud. | Paigaldage süüteküünla juhe süüteküünlale. |
| | Süüteküünla elektroodide vahe on vale. | Reguleerige elektroodide vahet, see peab olema 0,7 kuni 0,8 mm. |
| | Süüteküünal on rikkis. | Paigaldage uus süüteküünal ja seadistage õige elektroodide vahe. Vt MOOTORI KASUTUSJUHEND. |
| | Karburaator on kütusest üleujutatud. | Eemaldage õhupuhasti element ja tõmmake pidevalt starteri nõöri, kuni karburaator puhastub, ning paigaldage õhupuhasti element. |
| Süütemoodul on rikkis. | Võtke ühendust hooldusteenindusega. | |
| Mootorit on raske käivitada või võimsus puudub. | Mustus, vesi või vana kütus kütusepaagis. | Tühjendage kütusepaak ja puhastage see. Täitke paak uue puhta kütusega. |
| | Kütusepaagi korki õhuava on tõkestatud. | Puhastage kütusepaagi korki või vahetage see välja. |
| | Õhupuhasti element on määrdunud. | Puhastage õhupuhasti elementi. |
| Mootor töötab ebaühtlaselt. | Süüteküünal on rikkis. | Paigaldage uus süüteküünal ja seadistage õige elektroodide vahe. Vt MOOTORI KASUTUSJUHEND. |
| | Süüteküünla elektroodide vahe on vale. | Reguleerige elektroodide vahet, see peab olema 0,7 kuni 0,8 mm. |
| | Õhupuhasti element on määrdunud. | Puhastage õhupuhasti elementi. Vt MOOTORI KASUTUSJUHEND. |

| PROBLEEM | VÕIMALIK PÕHJUS | VEA KÕRVALDAMINE |
|--|--|---|
| Mootor töötab tühikäigul kehvasti. | Õhupuhasti element on määrdunud. | Puhastage õhupuhasti elementi. Vt MOOTORI KASUTUSJUHEND. |
| | Mootorikatte õhuavad on blokeeritud. | Eemaldage prügi õhutusavadelt. |
| | Mootori ventilaatori korpuse all olevad jahutusribid ja õhutusavad on blokeeritud. | Eemaldage prügi jahutusribidelt ja õhutusavadelt. |
| Mootor jätab suurel pöörete arvul töötades takte vahele. | Süüteküünla elektrodide vahe on liiga väike. | Reguleerige elektrodide vahet, see peab olema 0,7 kuni 0,8 mm. |
| Mootor kuumeneb üle. | Jahutusõhu ringlus on tõkestatud. | Eemaldage mootorikatte piludelt, ventilaatori korpusest ja õhutusavadelt igasugune prügi. |
| | Vale süüteküünal. | Paigaldage mootorile originaalne süüteküünal ja originaalsed jahutusribid. |
| Niiduk vibreerib liigselt. | Lõikemehhanism on lahti. | Pingutage lõiketera. |
| | Lõikemehhanism ei ole tasakaalus. | Tasakaalustage lõiketera. |

13. KESKKOND

Kui peaksite oma muruniiduki pärast pikaajalist kasutamist uue vastu välja vahetama, siis ärge pange vana niidukit olmejäätmete hulka, vaid kõrvaldage see kasutusest keskkonnaohutul viisil.

14. EÜ VASTAVUSDEKLARATSIOON

Ainult Euroopa riigid

EÜ vastavusdeklaratsioon on sellele kasutusjuhendile lisatud kui Lisa A.

Objaśnienia do widoku ogólnego

- | | | |
|---------------------------------|----------------------------------|--|
| 1. Uchwyt sterowania hamulcem | 10. Wyrzut boczny | 19. Klin rozdrabniający |
| 2. Górna część uchwytu | 11. Kłapa boczna | 20. Przycisk |
| 3. Uchwyt wyłącznika napędu | 12. Korpus | 21. Korek wlewu oleju / prętowy wskaźnik poziomu oleju |
| 4. Dźwignia ssania | 13. Świeca zapłonowa | 22. Maks.: górny limit |
| 5. Uchwyt rozrusznika | 14. Korek wlewu paliwa | 23. Min.: dolny limit |
| 6. Prowadnica linki | 15. Korek wlewu oleju | 24. Zatrzask |
| 7. Pokrętko blokujące | 16. Opaska zaciskowa przewodu | 25. Pokrywa filtra |
| 8. Kosz na trawę | 17. Dolna część uchwytu | |
| 9. Dźwignia regulacji wysokości | 18. Dźwignia regulacji prędkości | |

**OSTRZEŻENIE:**

Z uwagi na własne bezpieczeństwo, przed przystąpieniem do eksploatacji nowego urządzenia należy przeczytać niniejszą instrukcję. Nieprzestrzeganie instrukcji może być przyczyną poważnych obrażeń. Przed każdorazowym przystąpieniem do użytkowania kosiarki należy poświęcić kilka chwil na zapoznanie się z nią. Niniejszą instrukcję należy trzymać w bezpiecznym miejscu, aby mieć zawsze dostęp do zawartych w niej informacji. W przypadku przekazania opisywanego sprzętu innej osobie, należy również wręczyć jej niniejszą instrukcję obsługi wraz z zasadami bezpieczeństwa.

Przeznaczenie

Opisywany sprzęt można wykorzystywać jedynie do zadań, do których zostało ono przeznaczone. Jakiegokolwiek inne zastosowanie zostanie uznane za niewłaściwe użycie. Odpowiedzialność za jakiegokolwiek szkody lub obrażenia tym spowodowane ponosi użytkownik/operator, a nie producent. Spalinowa kosiarka do trawy jest przeznaczona do użytku prywatnego tzn. do wykorzystania przy domu i w ogrodzie. Prywatne użytkowanie kosiarki do trawy dotyczy rocznej ilości roboczogodzin zwykle nieprzekraczającej 50 godzin, w czasie których urządzenie jest głównie wykorzystywane do pielęgnacji trawników o niewielkiej powierzchni przy budynkach mieszkalnych oraz przydomowych bądź rekreacyjnych ogrodów. Nie obejmuje ono obiektów użyteczności publicznej, hal sportowych i zastosowań w rolnictwie lub leśnictwie. Należy pamiętać, że nasz sprzęt nie jest przeznaczony do zastosowań komercyjnych, handlowych lub przemysłowych. Nasza gwarancja traci ważność, jeżeli opisywane urządzenie jest wykorzystywane w działalności komercyjnej, handlowej lub przemysłowej, bądź w przypadku podobnych zastosowań. Dostarczoną przez producenta instrukcję obsługi należy zachować i regularnie sięgać po nią, aby zagwarantować właściwe użytkowanie i konserwację kosiarki do trawy. Instrukcja zawiera cenne informacje dotyczące obsługi, konserwacji i warunków serwisowania. **Ważne!** Z uwagi na duże ryzyko wystąpienia obrażeń ciała u użytkownika, kosiarki do trawy nie wolno wykorzystywać do przycinania krzaków, żywopłotów lub krzewów, do cięcia roślin pnących, do pielęgnowania ogrodów dachowych lub trawników na balkonach, do czyszczenia (zbierania) zanieczyszczeń i śmieci z przejść, ani do rozdrabniania kawałków drewna lub

ściętych gałązek żywopłotu. Ponadto, kosiarki do trawy nie wolno używać jako kultywatora do niwelowania nierówności terenu, na przykład kretowisk. Ze względów bezpieczeństwa, kosiarki do trawy nie wolno wykorzystywać jako jednostki napędowej innych narzędzi i zestawów narzędziowych.

1. SYMBOLE UMIESZCZONE NA PRODUKCIE (na tylnej pokrywie)

Należy przeczytać instrukcję obsługi.



Osoby postronne nie powinny zbliżać się do kosiarki.



Należy zwracać szczególną uwagę na dłoń i stopy, aby uniknąć obrażeń.



Paliwo jest łatwopalne, nie zbliżać się z otwartym ogniem. Nie wolno uzupełniać paliwa w pracującym urządzeniu.



Toksyczne opary; nie uruchamiać w pomieszczeniach.



Podczas koszenia należy nosić okulary ochronne i zatyczki do uszu.



Podczas naprawy należy wymontować świecę zapłonową, a następnie naprawić ją zgodnie z instrukcją obsługi.



Uwaga: Silnik jest gorący.

2. OGÓLNE ZASADY BEZPIECZEŃSTWA



OSTRZEŻENIE: Podczas pracy z urządzeniami spaliniowymi należy przestrzegać podstawowych zasad bezpieczeństwa, również tych podanych poniżej, aby zmniejszyć niebezpieczeństwo obrażeń lub szkód materialnych. Należy przeczytać wszystkie instrukcje przed rozpoczęciem użytkowania urządzenia – należy je zachować do przyszłego wykorzystania.



OSTRZEŻENIE: Podczas pracy urządzenie wytwarza pole elektromagnetyczne. W pewnych warunkach pole to może zakłócać pracę aktywnych lub pasywnych implantów medycznych. Aby zmniejszyć ryzyko poważnych lub śmiertelnych obrażeń, zalecamy osobom z implantami medycznymi skonsultowanie się z lekarzem i producentem implantów medycznych przed przystąpieniem do obsługi tego urządzenia.

Zaznajomienie się z urządzeniem

- Należy uważnie przeczytać niniejszą instrukcję. Należy poznać elementy sterowania i zasady właściwego użytkowania urządzenia. Zapoznać się z metodą szybkiego wyłączenia silnika.
- Kosiarkę do trawy można wykorzystywać tylko zgodnie z przeznaczeniem, np. do koszenia i zbierania trawy. Każdy inny sposób wykorzystania może stanowić zagrożenie lub spowodować uszkodzenie urządzenia. Przykłady możliwego niewłaściwego użytkowania to między innymi:
 - przewożenie osób, dzieci i zwierząt na urządzeniu;
 - przewożenie własnej osoby na urządzeniu;
 - wykorzystywanie urządzenia do holowania lub pchania ładunków;
 - wykorzystywanie urządzenia do zbierania liści i innych odpadów;
 - wykorzystywanie urządzenia do przycinania żywopłotu lub cięcia innych roślin niż trawa;
 - użytkowania urządzenia przez więcej niż jedną osobę;
 - użytkowania noża do cięcia na powierzchniach innych niż trawa.
- Nie wolno dopuszczać, aby kosiarki do trawy używały dzieci lub osoby, które nie zapoznały się z niniejszą instrukcją. Lokalne przepisy mogą ograniczać wiek użytkownika urządzenia.
- Nigdy nie kosić kosiarką do trawy:
 - gdy w pobliżu znajdują się inne osoby, zwłaszcza dzieci, oraz zwierzęta;
 - gdy operator zażywa leki lub inne substancje mogące wpływać na zdolność reakcji i koncentracji.

- Należy pamiętać, że operator lub użytkownik odpowiada za wypadki lub niebezpieczeństwa zagrażające innym osobom lub ich mieniu.
- Operatorzy powinni przejść odpowiednie przeszkolenie w zakresie użytkowania, regulacji i obsługi urządzenia z uwzględnieniem czynności niedozwolonych.

Przygotowanie

- Podczas koszenia należy zawsze nosić odpowiednio mocne obuwie i długie spodnie. Nie wolno używać urządzenia, nie mając na stopach obuwia lub nosząc otwarte sandały.
- Należy dokładnie sprawdzić obszar, na którym ma być użytkowane urządzenie i usunąć wszystkie przedmioty, takie jak kamienie, zabawki, patyki i druty, które mogłyby zostać przez wspomniane urządzenie pochwycone i wyrzucone w powietrze.
- OSTRZEŻENIE** – benzyna jest bardzo łatwopalna.
 - należy ją przechowywać w pojemnikach przeznaczonych do tego celu;
 - paliwo można uzupełniać tylko na wolnym powietrzu; nie wolno palić podczas uzupełniania paliwa;
 - paliwo należy uzupełnić przed uruchomieniem silnika. nie wolno zdejmować korka wlewu paliwa lub uzupełniać paliwa, gdy silnik pracuje lub gdy jest rozgrzany;
 - w przypadku, gdy benzyna zostanie rozlana, nie wolno uruchamiać silnika, ale przesunąć urządzenie z dala od obszaru pokrytego paliwem oraz zapobiegać powstaniu zapłonu aż do chwili, gdy opary benzyny ulotnią się;
 - należy sprawdzić, czy wszystkie korki wlewu paliwa i innych zbiorników są bezpiecznie założone.
- Wymienić wadliwe tłumiki.
- Przed rozpoczęciem użytkowania należy sprawdzić urządzenie, aby upewnić się, że noże, śruby mocujące noże oraz układ tnący nie są zużyte lub uszkodzone. W przypadku zużycia lub uszkodzenia noży lub śrub mocujących należy wymienić cały zestaw, aby układ tnący był odpowiednio wyważony.
- Regularnie sprawdzać prawidłowe działanie wszystkich blokad rozruchowych i elementów sterujących sygnalizujących obecność operatora.

Praca

- Nie wolno użytkować silnika w zamkniętym pomieszczeniu, gdzie mogą gromadzić się niebezpieczne opary tlenu węgla.
- Nie wolno użytkować urządzenia w stanie zmęczenia, choroby lub będąc pod wpływem alkoholu albo leków.
- Ostrzeżenie!** Nie wolno użytkować kosiarki do trawy w przypadku występowania ryzyka zapłonu.
- Wskazane jest ograniczenie czasu pracy w celu zminimalizowania zagrożeń związanych z hałasem i drganiami.
- Zachować szczególną ostrożność w przypadku użytkowania kosiarki na pochyłościach i w sąsiedztwie skarp, rowów lub nasypów.
- Należy kosić tylko przy świetle dziennym lub odpowiednio silnym sztucznym oświetleniu.
- W miarę możliwości należy unikać koszenia mokrej trawy.

- Podczas pracy na pochyłościach należy pamiętać, aby pewnie stać na podłożu.
- Podczas koszenia należy chodzić, a nie biegać.
- W przypadku kosiarek kołowych, należy kosić zawsze w poprzek pochyłości, nigdy pod górę lub w dół.
- Należy zachować szczególną ostrożność przy zmianie kierunku na pochyłościach.
- Nie kosić pochyłości o bardzo dużym kącie nachylenia.
- Należy zachować najwyższą ostrożność przy cofaniu lub przyciąganiu kosiarki do trawy do siebie.
- Należy wyłączyć nóż/noże, w przypadku konieczności przechylenia kosiarki do trawy, aby przebyć powierzchnię inną niż trawa oraz na czas przejazdu do i z obszaru, na którym będzie użytkowana.
- Nie użytkować kosiarki do trawy z uszkodzonymi osłonami lub ze zdjętymi zabezpieczeniami, takimi jak wyrzutnik lub kosz na trawę.
- Uwaga: Kosiarki do trawy nie wolno uruchamiać bez założonego kompletnego kosza na trawę lub zamontowanej osłony otworu wylotowego zamykającej się samoczynnie.
- Nie wolno zmieniać ustawień regulatora silnika lub doprowadzać silnik do nadmiernych obrotów.
- Nie wolno dokonywać przeróbek zaplombowanych elementów regulacyjnych układów sterowania obrotami silnika ani przy nich majstrować.
- Nie wolno manipulować przy systemach lub funkcjach zabezpieczeń kosiarki do trawy ani ich blokować.
- Przed uruchomieniem silnika należy odłączyć wszystkie noże oraz sprzęgła napędu.
- Silnik należy uruchamiać zgodnie z instrukcją, stojąc z dala od noża(y).
- Nie wolno przechylać kosiarki do trawy podczas uruchamiania silnika.
- Nie uruchamiać silnika, stojąc przed wyrzutnikiem.
- Nie zbliżać dłoni ani stóp do części obrotowych. Nigdy nie należy stawać przed otworem wyrzutnika.
- Nie podnosić ani nie przenosić kosiarki do trawy, gdy silnik pracuje.
- W następujących przypadkach należy zatrzymać silnik i odłączyć przewód świecy zapłonowej, upewniając się, że wszystkie części ruchome przestały się poruszać; jeśli urządzenie jest wyposażone w kluczyk zapłonu, należy go wyjąć:
 - przed usuwaniem trawy blokującej nóż lub odblokowaniem wyrzutnika;
 - przed sprawdzeniem, czyszczeniem lub pracą przy kosiarce do trawy;
 - po uderzeniu o przeszkodę. Należy sprawdzić, czy kosiarka do trawy nie jest uszkodzona i dokonać ewentualnej naprawy przed ponownym uruchomieniem i użytkowaniem kosiarki do trawy;
 - jeśli kosiarka do trawy zaczyna wibrować w nietypowy sposób (należy natychmiast sprawdzić przyczynę).
- W następujących przypadkach należy zatrzymać silnik i odłączyć przewód świecy zapłonowej, upewniając się, że wszystkie części ruchome przestały się poruszać; jeśli urządzenie jest wyposażone w kluczyk zapłonu, należy go wyjąć:
 - zawsze, gdy jest pozostawiana bez nadzoru;
 - przed uzupełnieniem paliwa.

- Należy zmniejszyć otwarcie przepustnicy podczas wyłączania silnika; jeśli silnik jest wyposażony w zawór odcinający, należy odciąć dopływ paliwa po zakończeniu pracy.
- Kosiarkę można wykorzystywać tylko zgodnie z przeznaczeniem – do koszenia i zbierania trawy. Każdy inny sposób wykorzystania może stanowić zagrożenie lub spowodować uszkodzenie urządzenia.

Konserwacja i przechowywanie

- Należy sprawdzić, czy wszystkie nakrętki, śruby i wkręty są dokręcone, co pozwoli utrzymać urządzenie w odpowiednim stanie technicznym.
- Nie przechowywać urządzenia z paliwem w zbiorniku w pomieszczeniu, gdzie opary paliwa mogą dotrzeć do iskry lub otwartego płomienia.
- Przed odstawieniem urządzenia do pomieszczenia należy poczekać, aż silnik ostygnie. Przed przystąpieniem do przechowywania kosiarki do trawy należy ją oczyścić i zakonserwować.
- Aby zmniejszyć zagrożenie pożarowe, należy zwracać uwagę, aby silnik, tłumik, przedział akumulatora oraz obszar przechowywania paliwa nie były pokryte trawą, liśćmi lub nadmierną ilością smaru.
- Należy często sprawdzać kosz na trawę pod kątem zużycia lub uszkodzenia.
- Ze względów bezpieczeństwa należy wymieniać zużyte lub uszkodzone części.
- W przypadku konieczności opróżnienia zbiornika paliwa, należy czynność tę wykonać na wolnym powietrzu.
- Niewłaściwa konserwacja, stosowanie niezgodnych części zamiennych albo demontaż lub przeróbka zabezpieczeń grozi uszkodzeniem kosiarki do trawy i poważnymi obrażeniami w przypadku operatora.
- Stosować wyłącznie noże i części zamienne zalecane przez producenta. Stosowanie nieoryginalnych części grozi uszkodzeniem urządzenia i obrażeniami w przypadku operatora. Należy dbać o dobry stan techniczny kosiarki do trawy.
- Jeżeli mechanizm zatrzymywania noża nie działa, należy skorzystać z pomocy w punkcie serwisowym.

Transportowanie i obchodzenie się z urządzeniem

- W każdym przypadku obchodzenia się, podnoszenia, transportowania lub przechylenia urządzenia należy:
 - nosić wytrzymałe rękawice robocze;
 - trzymać urządzenie za miejsca gwarantujące bezpieczny chwyt, uwzględniając masę i jej rozkład;
 - wykorzystać odpowiednią liczbę osób względem masy urządzenia oraz właściwości pojazdu lub miejsca, w którym urządzenie ma być eksploatowane bądź przechowywane.
- Podczas transportu urządzenie należy zamocować za pomocą lin lub łańcuchów.



OSTRZEŻENIE: Nie dotykać obracającego się noża.



OSTRZEŻENIE: Paliwo należy uzupełniać w przewidzianym miejscu przy wyłączonym silniku.

3. OPIS CZĘŚCI (Rys. 1)

Zestaw obejmuje:

A: Klucz do świece zapłonowych

4. DANE TECHNICZNE

| | |
|----------------------------|------------------------------|
| Model | PLM5600N2 |
| Typ silnika | Seria B&S 675EXI, ReadyStart |
| Własny napęd | Tak |
| Pojemność skokowa silnika | 163 cm ³ |
| Moc znamionowa | 2,6 kW |
| Szerokość noża | 560 mm |
| Prędkość obrotowa | 2 800 obr/min |
| Pojemność zbiornika paliwa | 1,0 l |
| Pojemność zbiornika oleju | 0,47 l |
| Pojemność kosza na trawę | 70 l |
| Masa netto | 37,2 kg |
| Regulacja wysokości | 25 - 70 mm, 8-stopniowa |

| | |
|---|---|
| Model | PLM5600N2 |
| Gwarantowany poziom ciśnienia akustycznego na stanowisku operatora (Zgodnie z normami EN ISO 5395-1 Aneks F i EN ISO 5395-2, EN ISO 4871) | 88,5 dB (A) (K=3 dB (A)) |
| Zmierzony poziom mocy akustycznej | 96,3 dB (A) |
| Gwarantowany poziom mocy akustycznej (Zgodnie z 2000/14/WE) | K=1,86 dB (A) 98 dB (A) |
| Drgania (Zgodnie z normami EN ISO 5395-1 Aneks G i EN ISO 5395-2) | 7,90 m/s ² K=1,5 m/s ² |

5. MONTAŻ

5-1 MONTAŻ SKŁADANEGO UCHWYTU

1. Przymocować dolną część uchwytu do wspornika uchwytu za pomocą śruby, podkładki i pokrętła blokującego. **(Rys. 2, Rys. 3)**
2. Połączyć górną i dolną część uchwytu za pomocą pokrętła blokującego. **(Rys. 4, Rys. 5)**
3. Umieścić przewód dookoła otworu na środkowym odcinku rury dolnej części uchwytu. Przytwierdzić przewód przy użyciu opaski zaciskowej przewodu, tak aby przewód był zamocowany dookoła, na zewnątrz uchwytu. **(Rys. 6)** W przeciwnym wypadku przewód może zostać pochwycony podczas otwierania/zamykania tylnej pokrywy.

5-2 USTAWIANIE ODPOWIEDNIEJ WYSOKOŚCI UCHWYTU

- 1) Odkręcić pokrętło blokujące, mocujące dolną część uchwytu.

- 2) Przesunąć dolną część uchwytu w górę lub w dół, ustawiając odpowiednią wysokość. W tym modelu kosiarki do trawy dostępne są 3 wysokości; przy ustawieniu wysokości w pozycji 1. dolna część uchwytu znajduje się najwyżej od podłoża, a przy ustawieniu wysokości w pozycji 3. najniżej. **(Rys. 7)**
- 3) Po ustawieniu odpowiedniej wysokości należy przymocować dolną część uchwytu za pomocą pokrętła blokujących. **(Rys. 8)**

5-3 MONTAŻ I DEMONTAŻ KOSZA NA TRAWĘ

1. Aby zamocować: należy unieść tylną pokrywę i zaczepić kosz na trawę na tylnej części korpusu kosiarki. **(Rys. 9, Rys. 10)**
2. Aby zdjąć: należy chwycić i unieść tylną pokrywę, a następnie zdjąć kosz na trawę.

5-4 UCHWYT ROZRUSZNIKA

Przesunąć uchwyt rozrusznika od silnika do prowadnicy linki. **(Rys. 11)**

5-5 WYSOKOŚĆ CIĘCIA

Nacisnąć od zewnątrz, aby wyczepić dźwignię z zaczepu. Przesunąć dźwignię w przód lub w tył, aby zmienić wysokość. **(Rys. 12 oraz patrz punkt 7-9)**

6. FUNKCJONALNOŚĆ

Funkcjonalność tych kosiarek do trawy można zmieniać odpowiednio do zastosowania:

Z kosiarki do trawy z wyrzutem tylnym na:

1. kosiarkę rozdrabniającą lub
2. kosiarkę z wyrzutem bocznym.

Co to jest rozdrabnianie?

Podczas rozdrabniania trawa jest ścinana, a następnie drobno szatkowana i rozsypanywana na pasie trawy jako nawóz.

Wskazówki dotyczące koszenia z rozdrabnianiem:

- Regularnie przycinać maks. o 2 cm trawy, z 6 cm do 4 cm wysokości.
- Stosować ostry nóż tnący.
- Nie kosić wilgotnej trawy.
- Ustawić maksymalną prędkość silnika.
- Przesuwać kosiarkę z prędkością roboczą.
- Regularnie czyścić klin rozdrabniający, wewnętrzną stronę obudowy oraz ostrze noża.

Rozpoczęcie pracy

6-1 Przygotowanie do koszenia z rozdrabnianiem



OSTRZEŻENIE: Tylko przy wyłączonym silniku i nieruchomym zespole tnącym.

1. Unieść tylną pokrywę i wyjąć kosz na trawę.
2. Wcisnąć klin rozdrabniający w korpus. Zablokować klin rozdrabniający przy użyciu przycisku w wycięciu w korpusie. **(Rys. 13, Rys. 14)**
3. Ponownie opuścić tylną pokrywę. **(Rys. 15)**
4. Unieść boczną kłapę i wyjąć wyrzutnik.

6-2 Przygotowanie do koszenia z wyrzutem bocznym



Tylko gdy silnik i zespół tnący nie obracają się!

1. Podnieść tylną pokrywę i wyjąć kosz na trawę.
2. Wcisnąć klin rozdrabniający w korpus. Zablockować klin rozdrabniający przy użyciu przycisku w wycięciu w korpusie.
3. Unieść boczną kłapę do wyrzutu bocznego. (Rys. 16)
4. Zamontować wyrzutnik do wyrzutu bocznego na sworzniu bocznej kłapy. (Rys. 17)
5. Opuścić boczną kłapę – kłapa opiera się na wyrzutniku. (Rys. 18)

6-3 Koszenie z koszem na trawę



OSTRZEŻENIE: Tylko gdy silnik i zespół tnący nie obracają się.

- Aby kosić z koszem na trawę należy wyjąć klin rozdrabniający i wyrzutnik do wyrzutu bocznego, a następnie zamontować kosz na trawę.
1. Wymywanie klina rozdrabniającego.
 - Podnieść tylną pokrywę i wyjąć klin rozdrabniający.
 2. Demontaż wyrzutnika do wyrzutu bocznego.
 - Unieść boczną kłapę i zdemontować wyrzutnik boczny.
 - Sprężyna w bocznej kłapie automatycznie zamknie otwór wyrzutnika w obudowie.
 - Należy regularnie czyścić boczną kłapę i otwór wyrzutnika z resztek trawy i przylegających zabrudzeń.
 3. Montaż kosza na trawę.
 - Należy unieść tylną pokrywę i zaczepić kosz na trawę na tylnej części korpusu kosiarki.

7. INSTRUKCJE UŻYTKOWANIA

7-1 PRZED URUCHOMIENIEM

Należy uzupełniać poziom benzyny i oleju w silniku zgodnie z oddzielną instrukcją obsługi silnika dołączoną do kosiarki. Należy uważnie przeczytać tę instrukcję. (Rys. 19, Rys. 20, Rys. 21)



OSTRZEŻENIE: Benzyna jest bardzo łatwopalna.


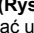
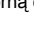
Należy ją przechowywać w pojemnikach przeznaczonych do tego celu.

Paliwo można uzupełniać tylko na wolnym powietrzu, przed uruchomieniem silnika; nie wolno palić podczas uzupełniania lub przelewania paliwa. Nie wolno zdejmować korka wlewu paliwa lub uzupełniać paliwa, gdy silnik pracuje lub gdy jest rozgrzany. W przypadku, gdy benzyna zostanie rozlana, nie wolno uruchamiać silnika, ale przesunąć urządzenie z dala od obszaru pokrytego paliwem oraz zapobiegać wystąpieniu zapłonu, aż do chwili, gdy opary benzyny ulotnią się. Należy sprawdzić, czy wszystkie korki wlewu paliwa i innych zbiorników są prawidłowo zamocowane. Przed przechyleniem lub obróceniem kosiarki do trawy w celu konserwacji noża lub usunięcia oleju należy opróżnić zbiornik paliwa.



OSTRZEŻENIE: Nie wolno napełniać zbiornika paliwa w zamkniętych pomieszczeniach, przy pracującym silniku; po pracy należy oczekiwać, aż silnik ochłodzi się przez co najmniej 15 minut po wyłączeniu.

7-2 ABY URUCHOMIĆ SILNIK I ZAŁĄCZYĆ NÓŻ

1. Urządzenie jest wyposażone w gumową fajkę na końcówce świecy zapłonowej; należy upewnić się, że metalowa pętla na końcu przewodu świecy zapłonowej (wewnątrz fajki) jest prawidłowo przymocowana na metalowym styku świecy zapłonowej.
2. W przypadku uruchamiania zimnego lub ciepłego silnika, dźwignię przepustnicy należy ustawić w dowolnym położeniu pomiędzy pozycją „” a pozycją „”. Podczas pracy dźwignia przepustnicy powinna znajdować się w pozycji „”. (Rys. 22)
3. Stojąc za urządzeniem należy przytrzymać uchwyt sterowania hamulcem, opierając go o górną część uchwytu, jak pokazano na Rys. 23.
4. Chwyć uchwyt rozrusznika, jak pokazano na Rys. 23 i szybko pociągnąć w górę. Po uruchomieniu silnika powoli cofnąć uchwyt rozrusznika do prowadnicy linki.

Zwolnić uchwyt sterowania hamulca, aby zatrzymać silnik i nóż.



Silnik należy uruchamiać zgodnie z instrukcją, stojąc z dala od noża.



Nie wolno przechylać kosiarki do trawy podczas uruchamiania silnika. Uruchamiać kosiarkę na równym podłożu, pozbawionym wysokiej trawy lub przeszkód.



Nie zbliżać rąk i stóp do obracających się części. Nie uruchamiać silnika, stojąc przed otworem wyrzutnika.

7-3 PROCEDURY OBSŁUGOWE

Podczas pracy należy mocno trzymać uchwyt hamulca obiema rękami.



Uwaga: Gdy podczas pracy uchwyt hamulca zostanie zwolniony, silnik zatrzyma się, co spowoduje wyłączenie kosiarki do trawy.



Ostrzeżenie: Kosiarkę do trawy wyposażono w hamulec silnika zabezpieczający przed niezamierzonym uruchomieniem urządzenia. Aby móc uruchomić silnik, należy pociągnąć za dźwignię hamulca. Po zwolnieniu dźwigni sterowania hamulcem powinna ona powrócić do pierwotnego położenia, w którym silnik jest automatycznie wyłączony.



Uwaga: Hamulec silnika (dźwignia hamulca): Dźwignia służy do zatrzymywania silnika. Po zwolnieniu dźwigni, silnik i nóż zatrzymują się automatycznie. Podczas koszenia dźwignię należy trzymać w pozycji roboczej. Przed przystąpieniem do koszenia należy sprawdzić kilka razy dźwignię uruchamiania/zatrzymywania, aby upewnić się, że działa prawidłowo. Upewnij się, że linka naciągu działa bezproblemowo (tzn. nie zahacza o nic, ani się nie wygina).

7-4 ABY ZATRZYMAĆ SILNIK



UWAGA: Nóż obraca się przez kilka sekund po wyłączeniu silnika.

1. Zwolnić uchwyt sterowania hamulca, aby zatrzymać silnik i nóż. **(Rys. 24)**
2. Należy odłączyć i uziemić przewód świecy zapłonowej, jak to opisano w oddzielnej instrukcji obsługi silnika, aby zapobiec przypadkowemu rozruchowi, gdy urządzenie jest pozostawione bez nadzoru.

7-5 ZŁĄCZE NAPĘDU

Kosiarka jest wyposażona w układ regulacji prędkości, który umożliwia 3-stopniową regulację prędkości w zakresie od 3,0 km/h do 4,5 km/h.

Pozycja „☰”: najwolniejsza; pozycja „☱”: najszybsza. **(Rys. 25)**

Obsługa:

1. Zwolnić uchwyt wyłącznika napędu, aby zatrzymać kosiarkę do trawy.
2. Ustawić żądaną prędkość.
3. Chwycić uchwyt wyłącznika napędu, aby kontynuować koszenie. **(Rys. 26)**



UWAGA: Kosiarka jest przeznaczona do koszenia zwykłej trawy ogrodowej o maksymalnej wysokości 250 mm. Nie należy używać jej do koszenia bardzo wysokiej, suchej lub mokrej trawy (np. pastwiska) bądź stert suchych liści. Resztki mogą gromadzić się na korpusie kosiarki lub dotknąć wydechu silnika, stwarzając potencjalne zagrożenie pożarowe.

7-6 WSKAZÓWKI DOTYCZĄCE EFEKTYWNEGO KOSZENIA

Usunąć wszelkie odpadki z trawnika. Sprawdzić, czy na trawniku nie ma kamieni, gałęzi, drutów lub innych przedmiotów, które mogłyby zostać wyrzucone przez kosiarkę w dowolną stronę i spowodować poważne obrażenia u użytkownika lub innych osób, jak również straty materialne i zniszczenia w otoczeniu. Nie kosić wilgotnej trawy. Aby koszenie było skuteczne, nie można kosić wilgotnej trawy, gdyż przywiera ona do spodniej części korpusu kosiarki, co uniemożliwia prawidłowe rozdrabnianie. Nie ścinać więcej niż 1/3 długości źdźbła. W przypadku koszenia, zaleca się cięcie 1/3 długości źdźbeł trawy. Należy kontrolować prędkość jazdy kosiarki, aby rozdrobniona trawa była równomiernie rozrzucona na trawniku. W przypadku cięcia wyjątkowo gęstej trawy

może być konieczne utrzymywanie najniższej prędkości, aby uzyskać prawidłowe cięcie i koszenie. Przy koszeniu wysokiej trawy może być konieczne dwukrotne koszenie trawnika; przy drugim koszeniu należy zmniejszyć wysokość cięcia o kolejną 1/3 długości źdźbeł i ewentualnie zmienić trasę koszenia. Zachodzenie na poprzedni pas przy każdym przejściu pozwala usunąć źdźbła pozostałe po poprzednim przejściu. Podczas koszenia należy całkowicie otworzyć przepustnicę kosiarki, aby uzyskać najlepsze cięcie i aby koszenie było jak najbardziej efektywne. Oczyścić spód korpusu kosiarki. Należy pamiętać, aby czyścić spodnią część korpusu kosiarki po każdym użyciu, aby zapobiec gromadzeniu się trawy, co uniemożliwia prawidłowe rozdrabnianie. Koszenie liści. Pozytywny wpływ na trawnik może mieć również koszenie liści. Cięcie liści należy sprawdzić, czy są one suche i czy nie zalegają zbyt grubą warstwą na trawniku. Nie należy czekać, aż wszystkie liście spadną z drzew, aby je skosić.



OSTRZEŻENIE: W przypadku uderzenia w przeszkodę należy zatrzymać silnik. Odłączyć przewód od świecy zapłonowej, dokładnie sprawdzić, czy kosiarka nie jest uszkodzona i naprawić uszkodzenia przed ponownym uruchomieniem i użytkowaniem kosiarki. Nadmierne drgania kosiarki podczas pracy są objawem uszkodzenia. Urządzenie należy natychmiast sprawdzić i naprawić.

7-7 KOSZ NA TRAWĘ

W tylnej pokrywie znajduje się przezroczyste okno umożliwiający kontrolowanie ilości trawy w koszu na trawę.

Jeśli kosz na trawę jest całkowicie wypełniony trawą, należy go opróżnić i oczyścić, upewniając się, że jest czysty oraz że jego otwory nie są zablokowane. **(Rys. 27)**

7-8 KORPUS

Spodnia część korpusu kosiarki powinna być czyszczona po każdym użyciu, aby zapobiec gromadzeniu się ściętej trawy, liści, ziemi lub innych zabrudzeń. W przypadku nagromadzenia zanieczyszczeń zwiększa się ryzyko korozji oraz zmniejsza się efektywność rozdrabniania. Korpus można oczyścić po przechyleniu kosiarki, zeszkrobując odpowiednim narzędziem (należy sprawdzić, czy przewód świecy zapłonowej jest odłączony).

7-9 REGULACJA WYSOKOŚCI



UWAGA: W żadnym razie nie wolno dokonywać regulacji kosiarki do trawy bez zatrzymania silnika i odłączenia przewodu świecy zapłonowej.



UWAGA: Przed zmianą wysokości koszenia należy zatrzymać kosiarkę i odłączyć przewód świecy zapłonowej.

Kosiarka jest wyposażona w centralną dźwignię regulacji wysokości, którą można ustawić w 8 położeniach wysokości.

1. Przed zmianą wysokości koszenia kosiarki należy zatrzymać kosiarkę i odłączyć przewód świecy zapłonowej.
2. Centralna dźwignia regulacji wysokości umożliwia ustawienie 8 różnych wysokości.

Aby zmienić wysokość cięcia, należy nacisnąć dźwignię regulacji w kierunku do koła i przesunąć ją w górę lub w dół, aby ustawić odpowiednią wysokość.

Wszystkie koła będą ustawione na tę samą wysokość. (Rys. 28)

8. INSTRUKCJA KONSERWACJI


ŚWIECA ZAPŁONOWA

Należy stosować tylko oryginalne świece zapłonowe. Zaleca się wymieniać świecę zapłonową co 100 godzin pracy.

KLOCKI HAMULCOWE


Klocki hamulcowe silnika należy regularnie kontrolować i/lub wymieniać w punkcie serwisowym. W przypadku wymiany stosować wyłącznie oryginalne części.

9. SMAROWANIE

 **UWAGA:** ODŁĄCZYĆ ŚWIECĘ ZAPŁONOWĄ PRZED ROZPOCZĘCIEM CZYNNOŚCI KONSERWACYJNYCH.


1. KOŁA – przesmarować łożyska kulkowe w każdym kole co najmniej raz w sezonie, używając lekkiego oleju.
2. SILNIK – wskazówki dotyczące smarowania podane zostały w instrukcji silnika.

10. CZYSZCZENIE

 **UWAGA:** Nie myć silnika przy użyciu węża. Woda może uszkodzić silnik lub zanieczyścić układ paliwowy.

1. Przetrzeć korpus suchą szmatką.
2. Wymyć spodnią część korpusu, przechylając kosiarkę tak, aby świeca zapłonowa była skierowana w górę.

10-1 FILTR POWIETRZA SILNIKA

 **UWAGA:** Nie wolno dopuścić, aby zabrudzenia lub pył zapchały piankowy wkład filtra powietrza. Wkład filtra powietrza musi być konserwowany (czyszczony) po 25 godzinach normalnego koszenia. Wkład piankowy musi być regularnie konserwowany, jeśli kosiarka jest użytkowana w suchym i zapylnym otoczeniu.


ABY OCZYŚCIĆ FILTR POWIETRZA


1. Unieść zatrzask na pokrywie filtra. (Rys. 29)
2. Zdjąć pokrywę filtra.
3. Umyć wkład filtra w wodzie z mydłem. **NIE UŻYWAĆ BENZNY!**

4. Osuszyć wkład filtra powietrzem.
5. Umieścić kilka kropel oleju SAE30 na wkładzie piankowym filtra i mocno ścisnąć, aby usunąć nadmiar oleju.
6. Ponownie zamontować filtr.
7. Zamknąć pokrywę filtra.

UWAGA: Wymień filtr, jeśli jest on rozdarty, poszarpany, uszkodzony lub jeśli nie da się go wyczyścić.

10-2 NÓŻ TNĄCY

 **UWAGA:** Należy pamiętać, aby odłączyć i uziemić przewód świecy zapłonowej przed rozpoczęciem konserwacji noża tnącego, co pozwoli zapobiec przypadkowemu uruchomieniu silnika. Należy chronić dłonie, używając wytrzymałych rękawic lub szmatki do przytrzymania noży tnących. Przekrzylić kosiarkę, jak to opisano w oddzielnej instrukcji silnika. Odkręcić śrubę z łbem sześciokątnym oraz podkładkę, która mocuje nóż, oraz uchwyt noża na wale korbowym silnika. Zdemontować nóż oraz uchwyt z wału korbowego.

 **OSTRZEŻENIE:** Okresowo sprawdzać, czy na uchwycie noża nie widać pęknięć, zwłaszcza po napotkaniu przeszkody. Wymienić w razie potrzeby. Aby koszenie było efektywne, nóż musi być ostry. Nóż można ponownie naostrzyć, demontując go i szlifując lub uzupełniając ubytki, starając się zachować kształt oryginalnego noża. Bardzo ważna kwestia to równomierne szlifowanie każdej krawędzi tnącej, dzięki czemu nóż jest dobrze wyważony. Brak wyważenia może spowodować nadmierne drgania, co z kolei powoduje uszkodzenie silnika i kosiarki. Należy pamiętać, aby starannie wyważyć nóż po ostrzeniu. Wyważenie noża można sprawdzić, kładąc go na wkrętaku o zaokrąglonym przebie. Należy szlifować cięższy koniec noża, aż do uzyskania zadowalającego wyważenia. (Rys. 30) Przed ponownym zamocowaniem noża i uchwytu noża należy przesmarować lekkim olejem wał korbowy i wewnętrzną powierzchnię uchwytu noża. Zamontować uchwyt noża na wale korbowym. Patrz Rys. 30. Umieścić nóż tak, aby numer części był skierowany w stronę przeciwną do uchwytu. Wyosiować podkładkę na nożu i wkręcić śrubę z łbem sześciokątnym. Dokręcić śrubę z łbem sześciokątnym momentem dokręcenia podanym poniżej.

10-3 MOMENT DOKRĘCENIA NOŻA

Śrubę środkową należy dokręcić momentem o wartości 40 Nm - 50 Nm. w celu zapewnienia bezpiecznej pracy urządzenia. Należy okresowo sprawdzać WSZYSTKIE śruby i nakrętki pod kątem prawidłowego dokręcenia. Po długiej eksploatacji, zwłaszcza w otoczeniu o dużym zapyleniu, nóż będzie się częściej zużywał i utraci oryginalny kształt. Spowoduje to pogorszenie funkcji koszenia. Nóż należy wymieniać. Nóż należy wymieniać wyłącznie na oryginalny nóż. Za ewentualne straty spowodowane złym wyważeniem noża producent nie odpowiada.

Przy wymianie noża należy stosować części zgodnie z oznaczeniami na poprzednim nożu (MAKITA 263001171) (aby zamówić nóż, należy skontaktować się z lokalnym przedstawicielem lub zadzwonić do naszej firmy – patrz okładka).

10-4 SILNIK

Konserwacja silnika opisana jest w oddzielnej instrukcji obsługi silnika.

Wymiana oleju silnikowego jest opisana w oddzielnej instrukcji obsługi silnika dołączonej do urządzenia. Należy uważnie przeczytać i stosować wszystkie instrukcje. Konserwacja filtra powietrza została opisana w oddzielnej instrukcji obsługi silnika.

W przypadku bardzo dużego zapylenia należy czyścić urządzenie co kilka godzin. Słaba moc silnika oraz zalewanie to objawy wskazujące na konieczność konserwacji filtra powietrza.

Konserwacja filtra powietrza jest opisana w oddzielnej instrukcji obsługi silnika dołączonej do urządzenia.

Należy raz w sezonie oczyścić świecę zapłonową i ustawić wielkość szczeliny. Zaleca się wymianę świecy zapłonowej na początku każdego sezonu koszenia.

Należy sprawdzić w instrukcji obsługi silnika, jaki jest właściwy typ świecy oraz wielkość szczeliny.


Należy regularnie czyścić silnik przy użyciu szmatki lub szczotki. Należy utrzymywać układ chłodzenia (obszar obudowy dmuchawy) w czystości, aby zapewnić właściwy obieg powietrza, który jest niezbędny do prawidłowego działania silnika oraz zachowania jego żywotności.

Należy sprawdzić, czy trawa, ziemia i łatwopalne zanieczyszczenia zostały usunięte z obszaru wokół tłumika.

11. PRZECHOWYWANIE (POZA SEZONEM)

Aby przygotować kosiarkę do trawy do przechowywania, należy wykonać następujące czynności:

1. Po ostatnim koszeniu w sezonie należy opróżnić zbiornik paliwa.
 - a) Można to zrobić za pomocą pompy ssącej.

 **UWAGA:** Nie spuszczać paliwa w zamkniętych pomieszczeniach, w pobliżu otwartego ognia itp. Zabrania się palenia papierosów! Opary paliwa mogą spowodować wybuch lub pożar.

- b) Uruchomić silnik i zaczekać, aż zużyje całe pozostałe paliwo i zgaśnie.
 - c) Wyjąć świecę zapłonową. Używając smarowniczkę, wlać około 20 ml oleju do komory spalania. Pociągnąć za linkę rozrusznika, aby równomiernie rozprowadzić olej w komorze spalania. Włożyć świecę zapłonową.
2. Dokładnie wyczyścić i nasmarować kosiarkę do trawy zgodnie z opisem w punkcie „SMAROWANIE”.
 3. Lekko nasmarować nóż, aby zapobiec korozji.
 4. Przechowywać kosiarkę do trawy w suchym i czystym pomieszczeniu zabezpieczonym przed mrozem, poza zasięgiem osób nieupoważnionych.



UWAGA: Przed odstawieniem kosiarki do trawy w celu jej przechowania należy odczekać, aż silnik całkowicie ostygnie.



UWAGA:

- W przypadku przechowywania urządzeń w pomieszczeniu bez wentylacji lub w pomieszczeniu gospodarczym:
- Należy podjąć kroki, aby zapobiec korozji urządzeń. Należy pokryć części urządzeń, zwłaszcza przewody i wszystkie części ruchome, warstwą lekkiego oleju lub silikonu.
- Nie wolno zaginać lub załamywać przewodów.
- Jeśli linka rozrusznika odłączy się od przewodnicy linki na uchwycie, należy odłączyć i uziemić przewód świecy zapłonowej, nacisnąć uchwyt ustawienia noża i powoli wyciągnąć linkę rozrusznika z silnika. Przełożyć linkę rozrusznika przez przewodnicę linki na uchwycie.

Transport

Wyłączyć silnik i odczekać aż ostygnie. Następnie odłączyć przewód świecy zapłonowej i opróżnić zbiornik paliwa zgodnie z instrukcją obsługi silnika. Przejeżdżając kosiarką do trawy po nierównym terenie, uważać, aby nie wygiąć lub nie uszkodzić noża.

12. ROZWIĄZYWANIE PROBLEMÓW

| PROBLEM | PRAWDOPODOBNA PRZYCZYNA | ROZWIĄZANIE |
|--|--|---|
| Silnik nie uruchamia się. | Dźwignia ssania przepustnicy w położeniu niewłaściwym dla danych warunków. | Przesunąć dźwignię ssania przepustnicy we właściwe położenie. |
| | Zbiornik paliwa jest pusty. | Napełnić zbiornik paliwem, patrz INSTRUKCJA OBSŁUGI SILNIKA. |
| | Wkład filtra powietrza jest zabrudzony. | Oczyścić wkład filtra powietrza, patrz INSTRUKCJA OBSŁUGI SILNIKA. |
| | Poluzowana świeca zapłonowa. | Dokręcić świecę zapłonową momentem o wartości 25-30 Nm. |
| | Przewód świecy zapłonowej poluzowany lub odłączony od świecy zapłonowej. | Założyć przewód świecy zapłonowej na świecę zapłonową. |
| | Szczelina świecy zapłonowej jest nieprawidłowa. | Ustawić szczelinę pomiędzy elektrodami na 0,7 do 0,8 mm. |
| | Świeca zapłonowa jest uszkodzona. | Zamontować nową świecę zapłonową z prawidłową szczeliną, patrz INSTRUKCJA OBSŁUGI SILNIKA. |
| | Gaźnik jest zalany paliwem. | Wyjąć wkład filtra powietrza i równomiernym ruchem pociągnąć linkę rozrusznika, aż gaźnik się oczyści, a następnie zamontować wkład filtra powietrza. |
| | Wadliwy moduł zapłonu. | Skontaktować się z serwisem. |
| Trudności z uruchomieniem silnika lub spadki mocy. | Zabrudzenia, woda lub zawiesina w paliwie. | Spuścić paliwo i wyczyścić zbiornik. Napełnić zbiornik czystym, świeżym paliwem. |
| | Otwór napowietrzający w korku wlewu paliwa jest zablokowany. | Oczyścić lub wymienić korek wlewu paliwa. |
| | Wkład filtra powietrza jest zabrudzony. | Oczyścić wkład filtra powietrza. |
| Silnik pracuje nierówno. | Świeca zapłonowa jest uszkodzona. | Zamontować nową świecę zapłonową z prawidłową szczeliną, patrz INSTRUKCJA OBSŁUGI SILNIKA. |
| | Szczelina świecy zapłonowej jest nieprawidłowa. | Ustawić szczelinę pomiędzy elektrodami na 0,7 do 0,8 mm. |
| | Wkład filtra powietrza jest zabrudzony. | Oczyścić wkład filtra powietrza, patrz INSTRUKCJA OBSŁUGI SILNIKA. |
| Nieprawidłowe obroty jałowe silnika. | Wkład filtra powietrza jest zabrudzony. | Oczyścić wkład filtra powietrza, patrz INSTRUKCJA OBSŁUGI SILNIKA. |
| | Szczeliny w krycie silnika są zapchane. | Usunąć zabrudzenia ze szczelin. |
| | Żeberka i szczeliny pod obudową dmuchawy silnika są zablokowane. | Usunąć zabrudzenia z żeberek i szczelin. |
| Silnik dławi się na wysokich obrotach. | Szczelina pomiędzy elektrodami świecy zapłonowej jest zbyt mała. | Ustawić szczelinę pomiędzy elektrodami na 0,7 do 0,8 mm. |
| Silnik przegrzewa się. | Ograniczony przepływ powietrza. | Usunąć zanieczyszczenia ze szczelin, obudowy dmuchawy i otworów. |
| | Nieprawidłowa świeca zapłonowa. | Zamontować oryginalną świecę zapłonową i żeberka chłodzące na silniku. |
| Kosiarka drga w nieprawidłowy sposób. | Poluzowany zespół tnący. | Dokręcić nóż. |
| | Zespół tnący jest nieprawidłowo wyważony. | Wyważyć nóż. |

13. OCHRONA ŚRODOWISKA

Jeśli urządzenie wymaga wymiany po długim okresie użytkowania, nie wolno wyrzucać go wraz z odpadami komunalnymi, ale trzeba je zutylizować w sposób przyjazny dla środowiska.

14. DEKLARACJA ZGODNOŚCI WE

Dotyczy tylko krajów europejskich

Deklaracja zgodności WE jest dołączona w formie Aneksu A do niniejszej instrukcji obsługi.

Az általános nézeti rajz magyarázata

- | | | |
|-----------------------------|---------------------------|---------------------------------|
| 1. Fékbar | 10. Oldalsó őrítőcsatorna | 19. Mulcsozó betét |
| 2. Felső tolókar | 11. Oldalsó billenőfűl | 20. Gomb |
| 3. Kerékajtás kapcsolókarja | 12. Géptest | 21. Olajbetöltő sapka/nívópálca |
| 4. Szivatókar | 13. Gyűjtőgyertya | 22. Max.: felső határ |
| 5. Indítófogantyú | 14. Tanksapka | 23. Min.: alsó határ |
| 6. Kötélvezető | 15. Olajbetöltő sapka | 24. Fűl |
| 7. Rögzítő gomb | 16. Kábelrögzítő bilincs | 25. Szűrfedél |
| 8. Fűgyűjtő | 17. Alsó tolókar | |
| 9. Magasságbeállító kar | 18. Sebességbeállító kar | |



FIGYELEM:

Saját biztonsága érdekében az új készülék használata előtt olvassa el a jelen kézikönyvet. Az utasítások be nem tartása súlyos személyi sérülést eredményezhet. Minden használat előtt szánjon rá pár percet, hogy megismerje a fűnyírót. A kézikönyvet tartsa biztonságos helyen, így az információk mindig elérhetők lesznek. Ha a berendezést másik személynek adja át, a berendezéshez mellékelje az üzemeltetési utasításokat és a biztonsági előírásokat is.

Rendeltetés

Csak az előírásoknak megfelelő feladatok elvégzésére használja a berendezést. Bármely más jellegű használat helytelen használatnak minősűl. Ilyen esetben nem a gyártó, hanem a felhasználó/üzemeltető a felelős az okozott károkért, illetve sérülésekért.

A benzines fűnyírót személyi jellegű, azaz otthoni, kerti felhasználásra tervezték.

A fűnyíró személyi jellegű felhasználása azt jelenti, hogy a fűnyíró éves működtetési ideje általában véve nem lépheti túl az 50 órát, és a gép elsősorban lakóépületek kisebb gyepejének, illetve otthoni/hobbikertek gondozásához használandó. A középműveleteknél, sportlétesítményeknél történő, illetve mezőgazdasági/erdészeti alkalmazás nem rendeltetészerű használatnak minősűl.

Felhívjuk figyelmét, hogy a berendezést nem kereskedelmi, illetve nem ipari felhasználásra tervezték. A garancia érvényét veszti, ha a gépet kereskedelmi, ipari vagy ezzel egyenértékű célra használják.

Őrizze meg a gyártó üzemeltetési utasításait, és azok alapján ellenőrizze, hogy a fűnyírót az előírásoknak megfelelően használják és tartják karban. Az utasítások hasznos információkat tartalmaznak az üzemeltetéssel, karbantartással és szervizfeltételekkel kapcsolatban.

Fontos! Mivel magas a kockázata a felhasználó testi sérülésének, ezért a fűnyírót ne használja bokrok, sövények és bozót nyírására, magasnövényzet, beültetett tetők vagy erkélyen lévő fű vágására, a járdákon lévő szennyeződés vagy törmelék tisztítására (felszívására), illetve lombok aprítására, vágására. Ezenfelűl ne használja a fűnyírót talajlazító gépként magasabb területek (pl. vakondtűrésok) szintbe hozásához. Biztonsági okokból ne szállítsunk más munkaszerszámokat vagy szerszámkészleteket a fűnyírón.

1. A TERMÉKEN TALÁLHATÓ SZIMBÓLUMOK (a hátsó burkolaton)



Olvassa el a használati utasítást.



A gép használatakor ne engedjen senkit annak közelébe.



Különösen ügyeljen a kezelő kéz- és lábsérülésének elkerülésére.



Az üzemanyag gyűlékony, ne használjon a közelében nyílt lángot. Járó motorú gépbe ne töltsön üzemanyagot.



A kipufogógáz mérgező; ne működtesse a gépet zárt térben.



Fűnyírás közben viseljen védőszeműveget és fűldugót egészsége védelmében.



Javítás esetén a gyűjtőgyertyát a kezelési utasításban ismertetett módon szerelje ki, és javítsa meg.



Vigyázat: A motor felforrósodhat.

2. ÁLTALÁNOS BIZTONSÁGI RENDSZABÁLYOK



FIGYELEM: Benzinnel működő berendezések használata esetén az esetleges személyi sérülés és anyagi kár elkerülése érdekében mindig tartsa be az alapvető biztonsági rendszabályokat az alábbiakkal együtt. A gép használatának megkezdése előtt olvassa el az összes rá vonatkozó utasítást, és tartsa meg a dokumentációt későbbi használatra.



FIGYELEM: A gép elektromágneses mezőt kelt működés közben. Ez az elektromágneses mező bizonyos körülmények között zavarhatja az emberi szervezetbe beültetett aktív vagy passzív implantátumokat. Az esetleges súlyos vagy halálos következmény elkerülése érdekében javasoljuk, hogy a beültetett implantátummal élő személy a gép használata előtt konzultáljon orvosával és az implantátum gyártójával.

Képzés

- Az utasításokat figyelmesen olvassa el. Sajátítsa el a gép helyes használatát és kezelőszervek működtetését. Tanulja meg, hogy hogyan állíthatja le gyorsan a motort.
- A fűnyírót kizárólag a rendeltetési céljára, azaz fű nyírására és begyűjtésére szabad használni. Bármely egyéb alkalmazás veszélyt hordozhat magában, és a készülék sérülését okozhatja. Nem szabad többek között:
 - felnőtteket, gyerekeket illetve állatokat szállítani a gépen;
 - a gépre ráállni vagy ráülni haladás közben;
 - rakományt mozgatni a géppel;
 - leveleket vagy szemetet gyűjteni a géppel;
 - sövényt vagy egyéb, a fűtől eltérő növényzetet nyírni a géppel;
 - a gépet egynél több személynek használnia egyszerre;
 - a pengét fűtől eltérő felületen használni.
- Soha ne engedje, hogy gyermekek vagy ezen utasításokat nem ismerő személyek használják a fűnyírót. Előfordulhat, hogy a helyi törvények rendelkeznek a kezelő életkorát illetően.
- Soha ne használja a fűnyírót:
 - ha emberek – különösen gyermekek – vagy háziállatok tartózkodnak a közelben;
 - ha gyógyszert vett be, vagy egyéb olyan anyagot fogyasztott, amely befolyásolhatja a reakcióit vagy a koncentrációs képességét.
- Ne feledje, hogy a kezelő, illetve felhasználó felelős a balesetekért vagy a más személyekkel vagy tulajdonnal szembeni veszélyhelyzetekért.
- A kezelőknek megfelelő képzésben kell részesülniük a berendezés használatát, beállításait, üzemeltetését és a tiltott műveleteket illetően.

Előkészületek

- Fűnyírás közben mindig megfelelő lábbelit és hosszú nadrágot viseljen. Ne működtesse a gépet mezítáb vagy nyitott szandálban.
- Alaposan vizsgálja át a területet, ahol a berendezést használni fogja, és távolítsa el minden olyan tárgyat, követ, játékot, botot és vezetőket, amely a gép útjába kerülhet.
- FIGYELEM – A benzin rendkívül gyúlékony.
 - benzint kizárólag erre a célra készített edényben tároljon;
 - tankolást ne végezzen zárt helyen, és tankolás közben ne dohányozzon;
 - még a motor beindítása előtt tankoljon. Soha ne vegye le a tanksapkát, és ne tankoljon járó motor mellett, vagy amíg a motor le nem hűlt;
 - ha mellé a benzin, ne indítsa be a gépet a tankolás helyén, hanem tolja arrébb, és kerülje a nyílt lángot és egyéb gyújtó jellegű tevékenységet a környéken, amíg a benzin el nem párolog;
 - zárja vissza biztonságosan a tanksapkát és a benzinkanna fedelét.
- A hibás hangtompítót cserélje le.
- Használat előtt mindig ellenőrizze szemrevételezéssel, hogy a pengék, a kés csavarjai és a vágóegység nem kopott vagy sérült-e. A kopott vagy sérült pengéket és csavarokat a kiegyensúlyozottság megtartása érdekében egyszerre, készletben cserélje.
- Rendszeresen ellenőrizze, hogy az összes elindulást gátló retesz, valamint a kezelő jelenlétét érzékelő vezérlő megfelelően működik.

Használat

- Ne működtesse a gépet zárt térben, ahol mérgező szénmonoxid gyűlhet fel.
- Ne használja a gépet, ha fáradt, beteg, illetve alkohol vagy drog befolyása alatt áll.
- Figyelem! Ne használja a fűnyírót, ha villámhárító kockázata áll fenn.
- Javasolt korlátozni az üzemeltetés időtartamát a zajból és a rezgésből adódó kockázatok minimalizálása érdekében.
- Különösen vigyázzon, ha a fűnyírót lejtőn, illetve árok vagy töltés közelében használja.
- Fűnyírást csak nappali fényben, vagy kellő mesterséges megvilágítás mellett végezzen.
- Kerülje a gép nedves fűben való használatát, amennyiben ez lehetséges.
- Lejtőn mindig bizonyosodjon meg lába kellő megtámasztásáról.
- Sétálva haladjon, soha ne fusson.
- A kerékkel ellátott, forgó mozgást végző gépeknél a lejtőn keresztbe haladjon, ne a lejtés irányában.
- Különösen óvatosan járjon el a lejtőn való irányváltáskor.
- Ne végezzen fűnyírást túl meredek lejtőkön.
- Különösen óvatosan járjon el hátramenetben, illetve amikor a fűnyírót maga felé húzza.
- Ha a fűnyírót egy nem füves területen való áthaladás érdekében meg kell dönteni, illetve amikor a fűnyírót a levágandó területhez/területről szállítja, várja meg, amíg a pengék megállnak.

- Ne használja a fűnyírót hibás védőelemekkel, illetve biztonsági eszközök nélkül, például nem felszerelt terelőelemekkel és/vagy fűgyűjtővel.
- Vigyázat! A fűnyírót csak akkor működtesse, ha a teljes fűgyűjtő és az önzáró leürítőnyílás védőeleme is a helyén van.
- Ne módosítsa a motor alapbeállításait, és ne pörgesse túl a gépet.
- Ne módosítsa és ne babrálja meg a motorfordulatszám-szabályozó tömített beállítót.
- Ne babrálja meg és ne iktassa ki a fűnyíró biztonsági rendszereit vagy funkcióit.
- A motor beindítása előtt oldja ki a pengemeghajtás és menetmeghajtás tengelykapcsolóját.
- Ügyelve lábai épségére indítsa be óvatosan a motort az utasítás szerint.
- A motor indítása közben ne billentse meg a fűnyírót.
- Ne indítsa el a motort, amikor a kidobónyílás előtt áll.
- Ne közelítse kezét és lábát forgó alkatrészekhez. A kidobónyílást mindig tartsa szabadon.
- Járó motorú fűnyírót soha ne emeljen fel, és ne szállítson.
- Állítsa le a motort, és kösse le a gyertyakábelt, majd győződjön meg arról, hogy az összes mozgó alkatrész teljesen leállt. Ha a gép kulccsal indítható, vegye ki a kulcsot:
 - mielőtt eltömődést szüntet meg vagy megtisztítja a kidobónyílást;
 - ellenőrzés, tisztítás vagy a fűnyírón való munkavégzés előtt;
 - idegen tárgyba ütközés után. Vizsgálja meg, hogy a fűnyíró nem sérült-e meg, és szükség esetén végezze el a szükséges javításokat az ismételt elindítás és használat előtt;
 - ha a fűnyíró rendellenes vibrációját tapasztalja (keresse meg azonnal az okát).
- Állítsa le a motort, és kösse le a gyertyakábelt, majd győződjön meg arról, hogy az összes mozgó alkatrész teljesen leállt. Ha a gép kulccsal indítható, vegye ki a kulcsot:
 - minden esetben, ha felügyelet nélkül hagyja a fűnyírót;
 - tankolás előtt.
- A motor leállítása előtt vegye vissza a gázt. Ha a motoron van zárócsap, a fűnyírás befejeztével zárja el.
- A fűnyírót kizárólag a rendeltetési céljára, azaz fű nyírására és begyűjtésére szabad használni. Bármely egyéb alkalmazás veszélyt hordozhat magában, és a készülék sérülését okozhatja.
- Rendszeresen ellenőrizze a fűgyűjtőt, hogy nem kopott vagy sérült-e.
- A biztonság érdekében cserélje ki a kopott vagy sérült alkatrészeket.
- Az üzemanyagtartályt csak nyílt térben ürítse le.
- A helytelen karbantartás, a nem megfelelő cserealkatrészek használata, illetve a biztonsági alkatrészek eltávolítása vagy módosítása károsíthatja a fűnyírót, és a kezelő súlyos sérülését okozhatja.
- Csak a gyártó által előírt pengéket és tartalék alkatrészeket használja. A nem eredeti alkatrészek használata károsíthatja a fűnyírót, és a kezelő súlyos sérülését okozhatja. Tartsa megfelelő üzemi állapotban a fűnyírót.
- Ha a pengeleállító berendezés nem működik, forduljon a szervizközpontoz segítségért.

Szállítás és kezelés

- Amikor karbantartást végez a gépen, felemeli, szállítja vagy megdönti azt:
 - viseljen vastag munkavédelmi kesztyűt;
 - olyan pontokon fogja meg a gépet, ahol biztonságos fogást talált, figyelembe véve a gép súlyát és súlyelosztását;
 - a gép tömegét, jellemzőit, illetve a hely adottságait is vegye figyelembe a gép mozgatása és szállítása során.
- Szállítás során rögzítse a gépet kötelek vagy láncok segítségével.



FIGYELEM: Ne érjen a forgó pengéhez.



FIGYELEM: A tankolást jól szellőző helyen, leállított motornál végezze.

3. ALKATRÉSZEK ISMERTETÉSE (1. ábra)

Felsorolás:

A: Gyertyakulcs

4. MŰSZAKI ADATOK

| Típus | PLM5600N2 |
|-----------------------------|--------------------------------|
| Motor típusa | B&S 675EXi sorozat, ReadyStart |
| Önjáró | Igen |
| Motor lökettérfogata | 163 cm ³ |
| Névleges teljesítmény | 2,6 kW |
| Kés szélessége | 560 mm |
| Névleges fordulatszám | 2800/perc |
| Üzemanyagtartály kapacitása | 1,0 l |
| Olajtartály úrtartalma | 0,47 l |
| Fűgyűjtő kapacitása | 70 l |
| Nettó tömeg | 37,2 kg |
| Magasságállítás | 25 – 70 mm, 8 fokozatban |

Karbantartás és tárolás

- A gép biztonságos műszaki állapotának biztosítása érdekében az anyacsavarok és csavarok mindig legyenek meghúzva.
- Ne tárolja a gépet feltöltött benzintartállyal olyan épületen belül, ahol a benzingőzök nyílt lánggal vagy szikrával találkozhatnak.
- Zárt helyen történő tárolás előtt várja meg, amíg a motor lehűl; a fűnyírót megtisztítva és karbantartva tárolja.
- A tűzveszély csökkentése érdekében tisztítsa meg a motort, hangtompítót, akkumulátorrekeszt és a benzintartályt minden ráakódott fűtől, levéltől és felesleges zsírtól.

| Típus | PLM5600N2 |
|---|---|
| Garantált hangnyomásszint a kezelő helyzetében (Az EN ISO 5395-1 „F” függeléke és az EN ISO 5395-2, EN ISO 4871 szerint) | 88,5 dB (A) (K=3 dB (A)) |
| Mért hangteljesítményszint | 96,3 dB (A) K=1,86 dB (A) |
| Garantált hangteljesítményszint (A 2000/14/EK irányelv szerint) | 98 dB (A) |
| Vibráció (Az EN ISO 5395-1 „G” függeléke és az EN ISO 5395-2 szerint) | 7,90 m/s ² K=1,5 m/s ² |

5. ÖSSZESZERELÉS

5-1 AZ ÖSSZECSUKHATÓ FOGANTYÚ ÖSSZESZERELÉSE

1. Csavar, alátét és rögzítógomb segítségével rögzítse a tolókar alsó részeit a tolókarvázhoz. **(2. ábra, 3. ábra)**
2. A tolókar felső és alsó részét a rögzítógombbal erősítse egymáshoz. **(4. ábra, 5. ábra)**
3. Helyezze a kábelt az alsó tolókar közepén lévő lyukba. Kábelrögzítő bilincs segítségével erősítse fel, ügyelve arra, hogy a kábel a kar külső oldala köré van rögzítve. **(6. ábra)** Ellenkező esetben a bovden a hátsó fedél nyitása és csukása, vagy a tolókar felső részének a behajtása esetén becsípdíphet.

5-2 A MEGFELELŐ TOLÓKARMAGASSÁG BEÁLLÍTÁSA

- 1) Csavarja ki az alsó tolókar rögzítő gombot.
- 2) A megfelelő magasság beállításához mozgassa az alsó tolókart fel és le. 3 különböző magasság állítható be ezen a fűnyírótípuson; 1-es fokozatban a legmagasabb, 3-as fokozatban pedig a legalacsonyabb az alsó tolókar talajhoz viszonyított állása. **(7. ábra)**
- 3) Állítsa be a kívánt magasságot, majd rögzítse az alsó tolókart a rögzítógombbal. **(8. ábra)**

5-3 A FÜGYÜJTŐ FEL- ÉS LESZERELÉSE

1. Felhelyezés: Emelje fel a hátsó fedelet, majd akassza a fűgyűjtőt a fűnyíró hátuljára. **(9. ábra, 10. ábra)**
2. Eltávolítás: Fogja meg és emelje fel a hátsó fedelet, majd vegye le a fűgyűjtőt.

5-4 INDÍTÓFOGANTYÚ

A motorról helyezze át az indítófogantyút a kötélvezetőhöz. **(11. ábra)**

5-5 A VÁGÁS MAGASSÁGA

Nyomja meg kifelé a kart a kerettől való elemeléshez. A magasság beállításához hajtsa előre vagy hátra a kart. **(12. ábra, és lásd a 7-9. pontot)**

6. FUNKCIÓ

Ezek a fűnyírók normál funkcióikról az alábbi alkalmazásokra alakíthatók át:

Hátsó gyűjtésű fűnyíróból:

1. Mulcsozó fűnyíróvá vagy
2. Oldalsó kidobású fűnyíróvá.

Mi a mulcsozás?

Mulcsozáskor a gép első lépésben levágja a fűvet, ami finomra aprítva ezután visszakerül a gypepre, mint természetes trágya.

Tipp: a mulcsozó fűnyíráshoz:

- Rendszeres max. 2 cm-es nyírással alakítson ki 6 cm – 4 cm fűmagasságot.
- Használjon éles vágókést.
- Ne nyírjon nedves fűvet.
- Állítsa be a motor maximális fordulatszámát.
- Csak munkabességgel haladjon.
- Rendszeresen tisztítsa a mulcsozó betétet, a ház belső felét és a nyírópengét.

Kezdeti műveletek

6-1 Átszerelés mulcsozó fűnyíróvá



FIGYELEM: Csak leállított motornál és álló késnél.

1. Emelje fel a hátsó fedelet, és távolítsa el a fűgyűjtőt.
2. Nyomja be a mulcsozó betétet a géptestbe. Rögzítse a mulcsozó betétet a gombbal a géptest nyílásában. **(13. ábra, 14. ábra)**
3. Engedje le a hátsó fedelet. **(15. ábra)**
4. Emelje fel az oldalsó billenőfület, és távolítsa el az oldalsó ürítőcsatornát.

6-2 Átszerelés oldalsó kidobású fűnyíróvá



Csak ha a motor és a kés áll!

1. Emelje fel a hátsó fedelet, és távolítsa el a fűgyűjtőt.
2. Nyomja be a mulcsozó betétet a géptestbe. Rögzítse a mulcsozó betétet a gombbal a géptest nyílásában.
3. Emelje fel az oldalsó billenőfület az oldalsó ürítésért. **(16. ábra)**
4. Szerelje fel az oldalsó ürítőcsatornát az oldalsó billenőfül tartócsapjára. **(17. ábra)**
5. Engedje le az oldalsó billenőfület – a billenőfül ráfekszik az oldalsó ürítőcsatornára. **(18. ábra)**

6-3 Fűnyírási felszerelt fűgyűjtővel



FIGYELEM: Csak ha a motor és a kés áll.

Felszerelt fűgyűjtővel végzett fűnyíráshoz távolítsa el a mulcsozó betétet és az oldalsó fűkidobás oldalsó ürítőcsatornáját, majd helyezze fel a fűgyűjtőt.

1. Mulcsozó betét eltávolítása:
 - Emelje fel a hátsó fedelet, és vegye ki a mulcsozó betétet.
2. Az oldalsó kidobócsatorna eltávolítása.
 - Emelje fel a rugós oldalsó fedelet, és távolítsa el az oldalsó kidobócsatornát.
 - A rugós oldalsó fedél automatikusan lezárja a gép házának oldalán lévő kidobónyílást.
 - Rendszeresen tisztítsa meg a rugós oldalsó fedelet és a kidobónyílást a fűmaradéktól és a felpatadt kósztól.

3. A fűgyújtó felszerelése.
- Emelje fel a hátsó fedelet, majd akassza a fűgyújtót a fűnyíró hátuljára.

7. KEZELÉSI UTASÍTÁSOK

7-1 INDÍTÁS ELŐTT

Ellenőrizze a benzint és olajat, szükség esetén tölts fel a motor fűnyíróhoz mellékelt különálló kezelési utasítása alapján. Figyelmesen olvassa el az utasításokat.

(19. ábra, 20. ábra, 21. ábra)



FIGYELEM: A benzin rendkívül gyúlékony. Benzint kizárólag erre a célra készített edényben tároljon. A tankolást szabad téren végezze, még a motor beindítása előtt. Ne dohányozzon, amíg üzemanyaggal foglalkozik.

Ne vegye le a tanksapkát, és ne tankoljon járó motor mellett, és amíg a motor le nem hűlt.

Ha kifolyt a benzin, ne indítsa be a gépet, hanem tolja arrébb a kiömlés helyéről, és kerülje bármely tűzforrás kialakulását, amíg a benzingőzök eloszlának.

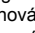
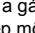
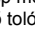
Zárjon vissza biztonságosan minden tanksapkát és benzinkanna fedelet.

Mielőtt a kés karbantartására vagy olajcsere miatt felbontaná a fűnyírót, ürítse le a benzint a tartályból.



FIGYELEM: Ne tankoljon zárt térben, járó motor mellett vagy amíg a motor forró. Használat után hagyja a motort legalább 15 percig hűlni.

7-2 A MOTOR BEINDÍTÁSA ÉS A PENGE ELINDÍTÁSA

1. A fűnyíró gyújtógyertyáján gumisapka található. Ellenőrizze, hogy a gyertyakábel végén (a gumisapkán belül) található fémhurok biztonságosan rögzül a gyújtógyertya fémhegyén.
2. Hideg vagy meleg motor indításakor tolja a gázkart valahová a „” és a „” állás között. Üzem közben tolja a gázkart a „” állásba. (22. ábra)
3. A gép mögött állva húzza meg a fékkart, és tartsa a felső tolókarhoz húzva, lásd a 23. ábrát.
4. Fogja meg az indítófogantyút a 23. ábra szerint, és húzza meg határozottan. Ha a motor beindult, lassan engedje vissza a kart a kötélvezetőhöz.

A motor és a kés leállításához engedje el a fékkart.

Ügyelve lábai épségére, indítsa be nagy körültekintéssel a motort az utasítás szerint.



A motor indítása közben ne billentse meg a fűnyírót. A fűnyírót vízszintes talajon indítsa be, ahol nincs magas fű és egyéb akadály.



Ne közelítsen kezével és lábával a forgó részekhez. Ne indítsa el a motort, amikor a kidobónyílás előtt áll.



7-3 HASZNÁLAT

Fűnyírás közben tartsa szorosan, két kézzel a fékkart.



Megjegyzés: Ha fűnyírásról elengedi a fékkart, a motor leáll, így a fűnyíró működését is leállítja.



Figyelem: A fűnyíró véletlen beindulásának elkerülése érdekében a gépet egy motorfékkel szerelték fel, amelyet vissza kell húzni a motor beindítása előtt. A motorszabályozó kar kiengedése után vissza kell térnie a kezdeti helyzetébe, ennél a pontnál a motor automatikusan kikapcsol.



Megjegyzés: Motorfék (fékkar): A karral állítsa le a motort. A kar elengedésekor a motor és a penge automatikusan leáll. Fűnyírásához tartsa a kart üzemi helyzetben. A fűnyírás elkezdése előtt ellenőrizze többször az indító-/leállítókart, és győződjön meg arról, hogy az megfelelően működik. Győződjön meg arról, hogy a feszítőkábel egyenletesen működtethető (azaz nem akad be vagy csavarodik meg).

7-4 A MOTOR LEÁLLÍTÁSA

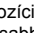
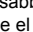


VIGYÁZAT: A motor leállása után a kés még pár másodpercig tovább forog.

1. A motor és a kés leállításához engedje el a fékkart. (24. ábra)
2. Kösse le, és testelje a gyertyakábelt a motorhoz tartozó külön utasítás szerint, hogy megelőzhető legyen a felügyelet nélkül hagyott gép véletlen beindítása.

7-5 ÖNJÁRÓ FUNKCIÓ BEKAPCSOLÁSA

A fűnyíró sebességbeállító rendszerrel van felszerelve, amely 3 sebességfokozat beállítását teszi lehetővé 3,0 és 4,5 km/h sebesség között.

„” pozíció: a leglassabb pozíció, „” pozíció: a leggyorsabb pozíció. (25. ábra)

Végezze el az alábbi lépéseket:

1. Engedje el a kerékaját kapcsolókarját, hogy a fűnyíró megálljon.
2. Állítsa be a kívánt sebességet.
3. A gép elindításához húzza a kerékaját kapcsolókarját a tolókar felső részéhez. (26. ábra)



VIGYÁZAT: A fűnyíró 250 mm-nél nem magasabb, normál állapotú fű levágására szolgál. Ne vágjon a géppel szokatlanul magas száraz vagy nedves fűvet (pl. rétet), illetve száraz levélhalmot. Növénymaradékok rakódhatnak a géptestre, vagy hozzáérhetnek a gép kipufogójához, ami tűzveszélyes.

7-6 A LEGJOBB EREDMÉNY ELÉRÉSE FÜNYÍRÁSKOR

Távolítsa el a hulladékokat a gyepről. A nyírandó gyepon ne legyen kő, fadarab, huzal vagy egyéb olyan tárgy, amit a fűnyíró bármilyen irányba kidobhat, és ezzel súlyos személyi sérülést okozhat a kezelőnek és a közelben tartózkodó személyeknek, valamint amittől anyagi kár keletkezhet. Ne nyírjon nedves fűvet. A hatékony fűnyírás érdekében ne nyírjon nedves fűvet, mert az a géptest aljára ragadhat, ami akadályozza a megfelelő nyírást. A fű hosszának maximum 1/3-át nyírja le. Fűnyírásakor a javasolt vágási hossz a fű hosszának 1/3-a. Válassza meg úgy a haladási sebességet, hogy az összeaprított fű egyenletesen terüljön el a gyepon. Nagyra nőtt, sűrű gyepről nyírásakor különösen fontos a lassú haladás, hogy a gépnek legyen ideje az egyenletes magasságú vágásra. Hosszúra nőtt fű nyírásakor célszerű két menetben végezni a nyírást: a második menetben nyírja le a fű újabb 1/3-át, lehetőleg az előző menethez képest más irányban. A menetekben kis mértékű átfedés szintén segít az egyenletes és tiszta vágású gyepről kialakításában. A fűnyírót a legjobb vágási eredmény és a hatékony mulcsozás érdekében mindig teljes gázzal üzemeltesse. Tisztítsa meg a géptest alját. Minden fűnyírás után tisztítsa meg a gép alját, mert a lerakódott fű akadályozza a megfelelő mulcsozó aprítást. Levelek vágása. A levelek mulcsozása szintén jót tesz a gyepről. Csak száraz, a gyepon nem túl vastag rétegben elterülő leveleket dolgozzon fel a fűnyíróval. Ne várja meg a mulcsozással, hogy az összes levél lehulljon a fákról.



FIGYELEM: Ha idegen tárgyba ütközött, állítsa le a fűnyírót. Vegye le a gyertyakábelét, és alaposan vizsgálja át a fűnyírót, nem sérült-e meg. Az újraindítás és a munka folytatása előtt javítsa ki az esetleges sérüléseket. A működés közben tapasztalható erős rezgés károsodásra utal. A gépet ilyen esetben azonnal át kell vizsgálni, és meg kell javítani.

7-7 FÜGYŰJTŐ

A hátsó fedélen van egy átlátszó ablak, amelyen látható a fűgyűjtőn belüli állapot.

Ha a fűgyűjtő megtelt fűvel, akkor ki kell ürítenie és tisztítania a fűgyűjtőt, biztosítva a megfelelő légáramlást a hálón át. (27. ábra)

7-8 GÉPTEST

Minden használat után tisztítsa le a géptest aljáról a rárakódott fűvet, leveleket, szennyeződést vagy egyéb anyagokat. A felgyűlő, nem letakarított szennyeződés korróziót okozhat, emellett a megfelelő mulcsozó aprítást is gátolja. A tisztításhoz billentse fel a fűnyírót, és kaparja le a szennyeződést egy megfelelő eszközzel (a gyertyakábelét előtte feltétlenül vegye le).

7-9 NYÍRÁSI MAGASSÁG BEÁLLÍTÁS



VIGYÁZAT: A fűnyírón bármilyen beállítást csak leállított motor és eltávolított gyertyakábel esetén végezzen.



VIGYÁZAT: A nyírési magasság beállítása előtt állítsa le a fűnyírót, és kösse le a gyertyakábelét.

A fűnyíró központi magasságállítással rendelkezik, amely 8 magassági helyzet beállítását teszi lehetővé.

1. A nyírési magasság beállítása előtt állítsa le a fűnyírót, és kösse le a gyújtógyertyát.
2. A központi magasságállító kar 8 különböző helyzetbe állítható be.

A vágási magasság beállításához nyomja a kerék felé az állítókart, és állítsa feljebb vagy lejjebb a kívánt magasság eléréséhez.

Minden kerék azonos magasságba áll be. (28. ábra)

8. KARBANTARTÁSI ÚTMUTATÓ

GYÚJTÓGYERTYA

Csak eredeti gyújtógyertyát használjon cserealkatrészként. A legjobb eredmény érdekében minden 100 óra használat után cseréljen gyújtógyertyát.

FÉKBETÉTEK

Rendszeresen ellenőriztesse és/vagy cseréltesse ki a motorfékbetéteket; csak eredeti alkatrészeket használjon cserealkatrészként.

9. KENÉSI ÚTMUTATÓ



VIGYÁZAT: A KARBANTARTÁSI MUNKÁK MEGKEZDÉSE ELŐTT KÖSSÉ LE A GYÚJTÓGYERTYÁT.

1. KERÉKEK—Kenje meg a kerekek golyóscsapágyát kis viszkozitású kenőolajjal szezononként legalább egyszer.
2. MOTOR—A kenési utasításokat megtalálja a motor kézikönyvében.

10. TISZTÍTÁS



VIGYÁZAT: Ne mossa a motort vízsugárral. A víz károsíthatja a motort, és szennyezheti az üzemanyagrendszert.

1. A géptestet törölje le a törlőronggyal.
2. A fűnyírót felbillentve, hogy a gyújtógyertya felfele nézzen, vízsugárral lemoshatja a géptest alját.

10-1 A MOTOR LÉGSZŰRŐJE



VIGYÁZAT: Ügyeljen arra, hogy a légszűrő szivacsbetétjét ne tömítse el por és egyéb szennyeződés. A légszűrőbetétén 25 óranyi normál fűnyírás után végezzen karbantartást (tisztítsa ki). Száraz, poros környezetben történő használat esetén a légszűrőbetétet tisztítsa gyakrabban.

A LÉGSZŰRŐ TISZTÍTÁSA

1. Emelje fel a szűrő burkolatán lévő fület. (29. ábra)
2. Távolítsa el a szűrő fedelét.

- Mossa ki a betétet szappanos vízben. **NE HASZNÁLJON BENZINT!**
- Szárítsa meg a betétet.
- Cseppentsen pár csepp SAE30 motorolajat a betétre, majd csavarja ki belőle a felesleget.
- Szerelje vissza a szűrőbetétet.
- Zárja be a szűrő burkolatát.

MEGJEGYZÉS: Cserélje ki a betétet, ha foszlik, elszakad, megsérült vagy nem lehet kitisztítani.

10-2 VÁGÓPENGE



VIGYÁZAT: A motor véletlen beindulásának elkerülése érdekében feltétlenül kösse le és tesztelje a gyertyakábelit, mielőtt a vágókésen dolgozni kezdene. Kezei védelmében viseljen erős védőkesztyűt, vagy fogja meg egy ronggyal a vágókést. Billentse fel a fűnyírót a motor kézikönyvében ismertetett módon. Távolítsa el a kést és a kés adapterét a főtengelyhez rögzítő hatlapfejű csavart és alátétet. Szerelje le a kést és az adaptert a főtengelyről.



FIGYELEM: Rendszeresen ellenőrizze, hogy a pengeadapteren nincsenek-e repedések, különösen, ha a penge idegen tárgynak ütközött. Szükség esetén cserélje ki.

A legjobb eredmény érdekében éles pengével dolgozzon. A pengét a megélezéshez szerelje le, majd az élet az eredeti kialakítást leginkább megközelítő módon köszörülje vagy reszelje élesre. A kiegyensúlyozatlanság elkerülése érdekében rendkívül fontos, hogy a penge minden vágóéle azonos mértékű megmunkálást kapjon. A kiegyensúlyozatlan penge túlzott vibrációt kelt, ami a motor és az egész fűnyíró idő előtti tönkremenetelét okozhatja. Élesítés után gondosan egyensúlyozza ki a pengét. A penge kiegyensúlyozottsága hengeres szárú csavarhúzóval ellenőrizhető. A nehéz oldalról köszörüljön le annyi anyagot, amivel az egyensúly helyreáll.

(30. ábra)

A penge és a pengeadapter visszaszerelése előtt kenje meg a főtengelyt és a pengeadapter belső felületét kis viszkozitású kenőolajjal. Szerelje be a pengeadaptert a főtengelyre. Lásd: **30. ábra**. A pengét a cikkszámával kifelé helyezze az adapterre. Illesse az alátétet a pengére, és szerelje be a hatlapfejű csavart. Húzza meg a csavart az előírt nyomatékkal, lásd alább.

10-3 PENGE MEGHÚZÁSI NYOMATÉKA

Középső csavar 40 Nm – 50 Nm, a gép biztonságos üzeme érdekében. Rendszeresen ellenőrizze az ÖSSZES anya és csavar megfelelően meghúzott állapotát.

Hosszabb használat után, különösen homokos talaj esetén a penge elkophat, elvesztheti eredeti alakját. A vágás hatékonysága csökken, a pengét ki kell cserélni. A pengét csak jóváhagyott gyári pótpengére cserélje. A penge kiegyensúlyozatlanságából eredő esetleges károkért a gyártó nem vállal felelősséget.

Ha pengét kell cserélni, csak (MAKITA 263001171) jelzéssel ellátott, eredeti pótalkatrészt használjon (pengerendeléshez forduljon a márkakereskedőhöz, vagy hívjon fel bennünket – lásd a borítót).

10-4 MOTOR

A motor karbantartási utasításait a motor különálló kézikönyvében megtalálja.

A motorolaj tekintetében járjon el a motor különálló kézikönyvében olvasható utasítások szerint. Olvassa el körültekintően, és kövesse az utasításokat.

A légszűrő karbantartása tekintetében normál körülmények esetén járjon el a motor különálló kézikönyvében olvasható utasítások szerint. Különösen poros környezetben történő használat esetén néhány óránként tisztítsa ki a légszűrőt. A légszűrő esedékes tisztítását a motor csökkenő teljesítménye és a légszűrő csöpögése jelzi.

A légszűrő karbantartása tekintetében járjon el a motor különálló kézikönyvében olvasható utasítások szerint. Szezononként egy ízben tisztítsa ki a gyújtógyertyát, és állítsa be az elektródahézagot. Gyújtógyertyát fűnyírási szezon előtt cseréljen; a gyújtógyertya típusát és az elektródahézag értékét megtalálja a motor kézikönyvében.

Tisztítsa meg rendszeresen a motort törőronggyal vagy kefével. A hűtőrendszert (ventilátorház környéke) tartsa tisztán, hogy biztosítva legyen a motor megfelelő működéséhez és kellően hosszú élettartamához szükséges légáramlás. A kipufogó környékéről mindig távolítsa el a fűvet, szennyeződést és az éghető anyagokat.

11. TÁROLÁS (SZEZONON KÍVÜL)

A fűnyíró megfelelő tárolásához az alábbi lépések szükségesek.

- A szezonban végzett utolsó fűnyírás után ürítse ki teljesen a benzintartályt.
 - Szivattyúval ürítse ki a benzintartályt.



VIGYÁZAT: Ne zárt helyiségben, vagy nyílt láng közvetlen közelében eressze le a benzint stb. Tilos a dohányzás! A benzingőzök berobbanhatnak, tüzet okozhatnak.

- A benzin leeresztése után indítsa be a motort, és járassa egészen addig, amíg az felhasználja az összes benzint és magától leáll.
 - Csavarja ki helyéről a gyújtógyertyát. Olajozókannával töltsön kb. 20 ml olajat az égéstérbe a gyertyafuraton keresztül. Az indítókötél meghúzásával osszassa el egyenletesen a betöltött olajat az égéstérben. Csavarja vissza helyére a gyújtógyertyát.
- Alaposan tisztítsa meg és kenje meg a fűnyírót a korábban a „KENÉSI ÚTMUTATÓ” pontban ismertetett módon.
 - A korrózió elkerülésére vékonyan zsírozza be a vágószerkezetet.
 - A fűnyírót tárolja száraz, tiszta, fagymentes, jogosulatlan személyek által nem hozzáférhető helyen.



VIGYÁZAT: A fűnyíró tárolóhelyre helyezése előtt hagyja teljesen lehűlni a motort.

**MEGJEGYZÉS:**

- Ha nem szellőző helyen tárol bármilyen motorral hajtott berendezést.
- Ügyeljen a berendezések korrózió elleni védelmére. Vonja be vékony réteg szilikonolajjal a berendezéseket, különös tekintettel a bovdenekre és mozgó alkatrészekre.
- Ügyeljen arra, hogy a bovdenek és egyéb kábelek ne törjenek meg, ne csípődjenek be.

- Ha az indítókötél kiakadna a fogantyún található kötélvezetőből, kösse ki, és tesztelje le a gyertyakábel, húzza be a pengevezérlő fogantyút, és húzza ki lassan a motorból az indítókötélet. Csúsztassa be a kötélet a fogantyún található kötélvezetőbe.

Szállítás

Kapcsolja ki a motort, és hagyjon időt, hogy lehűljön. Ezt követően a motor kézikönyvében leírt utasítások szerint válassza le a gyújtógyertyák vezetékét, és ürítse le az üzemanyagtartályt. Ügyeljen arra, hogy ne hajlítsa, illetve sértsé meg a vágót, amikor a fűnyíró akadályok felett tolja át.

12. HIBAEELHÁRÍTÁS

| PROBLÉMA | LEHETSÉGES OK | ELHÁRÍTÁS |
|---|--|---|
| A motor nem indul be. | A gázkar nem az indítási feltételeknek megfelelő helyzetben áll. | Állítsa a gázkart a megfelelő helyzetbe. |
| | Kiürült a benzintank. | Töltse fel a tartályt üzemanyaggal: lásd a MOTOR KEZELÉSI UTASÍTÁSÁT. |
| | Elszennyeződött a légszűrőbetét. | Tisztítsa ki a légszűrőbetétet: lásd a MOTOR KEZELÉSI UTASÍTÁSÁT. |
| | Kilazult a gyújtógyertya. | Húzza meg a gyújtógyertyát 25–30 Nm nyomatékkal. |
| | A gyertyakábel lelazult vagy levált a gyertyáról. | Tegye vissza a gyertyakábel a gyújtógyertyára. |
| | Nem megfelelő a gyertyahézag. | Állítsa be az elektródák hézagát 0,7–0,8 mm értékűre. |
| | Hibás a gyújtógyertya. | Szereljen be egy új, megfelelő hézagúra beállított gyújtógyertyát: lásd a MOTOR KEZELÉSI UTASÍTÁSÁT. |
| | A karburátor túltöltődött benzinnel. | Szerelje ki a légszűrőbetétet, az indítókötél folyamatos használatával forgassa át párszor a motort, hogy a karburátor kiszellőzhessen, majd szerelje vissza a légszűrőbetétet. |
| A motort nehéz beindítani, vagy nincs elég teljesítménye. | Hibás gyújtómodul. | Lépjön kapcsolatba a szerviz képviselőjével. |
| | Szennyeződés, víz vagy lerakódás a benzintankban. | Ürítse le az üzemanyagot, és tisztítsa ki a tartályt. Tankoljon tiszta, friss benzint. |
| | Eltömődött a tanksapka szellőzőfurata. | Tisztítsa ki vagy cserélje le a tanksapkát. |
| A motor egyenetlenül jár. | Elszennyeződött a légszűrőbetét. | Tisztítsa ki a légszűrőbetétet. |
| | Hibás a gyújtógyertya. | Szereljen be egy új, megfelelő hézagúra beállított gyújtógyertyát: lásd a MOTOR KEZELÉSI UTASÍTÁSÁT. |
| | Nem megfelelő a gyertyahézag. | Állítsa be az elektródák hézagát 0,7–0,8 mm értékűre. |
| Gyenge az alapjárat. | Elszennyeződött a légszűrőbetét. | Tisztítsa ki a légszűrőbetétet: lásd a MOTOR KEZELÉSI UTASÍTÁSÁT. |
| | Eltömődtek a motorburkolat szellőzőnyílásai. | Távolítsa el a szennyeződést a szellőzőnyílásokból. |
| | Eltömődtek a hűtőbordák és a légjáratok a légűtő ház alatt. | Távolítsa el a szennyeződéseket a bordák közül és a légjáratokból. |
| A motor magas fordulatszámon kihagy. | Túl kicsi a gyertyahézag. | Állítsa be az elektródák hézagát 0,7–0,8 mm értékűre. |

| PROBLÉMA | LEHETSÉGES OK | ELHÁRÍTÁS |
|---------------------------------|-----------------------------------|--|
| A motor túlmelegszik. | A hűtőlevegő útja elzáródott. | Távolítsa el a szennyeződést a burkolat szellőzőnyílásai közül és a légjáratokból. |
| | Nem megfelelő a gyújtógyertya. | Szerelje be az eredeti gyújtógyertyát, és helyezze fel a hűtőbordákat tartalmazó lemezt a motorra. |
| A fűnyíró rendellenesen vibrál. | Lelazult a vágókés. | Húzza meg a kést. |
| | A vágó egység kiegyensúlyozatlan. | Egyensúlyozza ki a kést. |

13. KÖRNYEZET

Ha a gép elérte élettartama végét, ne kezelje háztartási hulladékként, selejtezze környezetbarát módon.

14. EK-MEGFELELŐSÉGI NYILATKOZAT

Csak európai országokra vonatkozóan

Az EK-megfelelőségi nyilatkozat a jelen használati útmutató A. függelékében található meg.

Vysvetlenie všeobecného pohľadu

- | | | |
|---------------------------------------|-------------------------------|---|
| 1. Rukoväť s ovládaním brzd | 9. Páčka nastavenia výšky | 18. Páčka pre nastavenie rýchlosti |
| 2. Horná rukoväť | 10. Bočný vyprázdňovací kanál | 19. Muľčovaci klin |
| 3. Rukoväť ovládania vlastného pohonu | 11. Bočná klapka | 20. Tlačidlo |
| 4. Páčka sytiča | 12. Plošina | 21. Uzáver olejovej nádrže/ponorná mierka |
| 5. Rukoväť štartéra | 13. Zapaľovacia sviečka | 22. Max.: horná hranica |
| 6. Vodiaci prvok lanka | 14. Uzáver palivovej nádrže | 23. Min.: spodná hranica |
| 7. Poistný otočný gombík | 15. Uzáver olejovej nádrže | 24. Výčnelok |
| 8. Lapač trávy | 16. Káblová svorka | 25. Kryt filtra |
| | 17. Spodná rukoväť | |

**VÝSTRAHA:**

Kvôli vlastnej bezpečnosti si prečítajte tento návod skôr, ako sa pokúsite obsluhovať svoje nové zariadenie. Nedodržanie pokynov môže mať za následok vážne zranenie osôb. Venujte určitý čas a oboznámte sa pred každým použitím s kosačkou. Uchovávajte tento návod na bezpečnom mieste, aby boli tieto informácie vždy k dispozícii. Ak odovzdáte toto zariadenie inej osobe, odovzdajte jej aj tento návod na obsluhu a bezpečnostné predpisy.

Zamýšľané použitie

Toto zariadenie sa smie používať len na úlohy, na zvládnutie ktorých je určené. Akékoľvek iné použitie sa bude považovať za prípad nesprávneho použitia. Používateľ/obsluha a nie výrobca budú niesť zodpovednosť za akúkoľvek škodu alebo akékoľvek zranenia akéhokoľvek druhu spôsobené v jeho dôsledku. Táto benzínová kosačka na trávu je určená na súkromné používanie, t.j. na používanie v domácom a záhradnom prostredí. Súkromné používanie kosačky na trávu znamená celoročnú prevádzkovú dobu, ktorá vo všeobecnosti nepresiahne 50 hodín, pričom sa zariadenie používa predovšetkým na údržbu maloplošných trávnikov v obytných štvrtiach a domácych/zaujímavých záhrad. Verejné priestranstvá, športové haly a poľnohospodárske/lesné aplikácie sú vylúčené.

Vezmite, prosím, do úvahy, že naše zariadenie nie je určené na používanie v komerčných, podnikateľských či priemyselných aplikáciách. Naša záruka stratí platnosť, ak sa toto zariadenie použije na komerčné, podnikateľské alebo priemyselné či ekvivalentné účely.

Návod na obsluhu tak, ako ho dodal výrobca, sa musí uchovávať a používať s cieľom zaistiť to, aby sa kosačka na trávu správne používala a aby sa na nej vykonávala údržba správnym spôsobom. Tento návod obsahuje cenné informácie týkajúce sa podmienok pri obsluhu, údržbe a servise.

Dôležité upozornenie: Kvôli vysokému riziku zranenia používateľa sa kosačka na trávu nesmie používať na úpravu kríkov, živých plotov alebo krovia, na kosenie stupňovitej vegetácie, vysadených striech alebo trávnikov pestovaných na balkónoch, na odstraňovanie (odsávanie) nečistoty a malých úlomkov z chodníkov, či osekávanie odrezkov zo stromov alebo živých plotov. Navyše, kosačka na trávu sa nesmie používať ako výkonový kultivátor na vyrovnávanie zvýšeného terénu, ako napríklad v prípade krícnov.

Z bezpečnostných dôvodov sa kosačka na trávu nesmie používať ako hnacia jednotka pre iné pracovné náradia či súpravy nástrojov akéhokoľvek druhu.

1. SYMBOLY VYZNAČENÉ NA VÝROBKU (na zadnom kryte)

Prečítajte si návod na obsluhu.



Zabráňte prístupu okolostojacich.



Viac pozornosti venujte rukám a nohám obsluhy, aby ste predišli poraneniam.



Palivo je horľavé; zabráňte prístupu ohňa. Palivo nepridávajte, keď motor beží.



Jedovaté výpary; neprevádzkujte v interiéri.



Počas kosenia používajte okuliare a ochranu uší s cieľom chrániť samotnú obsluhu.



Počas vykonávania opráv demontujte zapaľovacia sviečku a následne vykonajte opravu podľa návodu na obsluhu.



Upozornenie: Motor je horúci.

2. VŠEOBECNÉ BEZPEČNOSTNÉ PRAVIDLÁ



VÝSTRAHA: Pri používaní benzínového náradia je nutné vždy dodržiavať základné bezpečnostné opatrenia s cieľom znížiť riziko vážnych osobných poranení a/alebo poškodenia jednotky. Všetky tieto pokyny si prečítajte pred prevádzkovaním tejto jednotky a tieto pokyny uschovajte pre možnú potrebu v budúcnosti.



VÝSTRAHA: Toto strojné zariadenie počas svojej prevádzky produkuje elektromagnetické pole. Toto pole môže v niektorých prípadoch ovplyvňovať činnosť aktívnych alebo pasívnych zdravotných implantátov. Aby sa znížilo riziko vážnych alebo smrteľných úrazov, odporúčame osobám, ktoré používajú zdravotné implantáty, aby sa pred prevádzkovaním tohto strojného zariadenia poradili so svojím lekárom alebo s výrobcom zdravotného implantátu.

Zaškolenie

- Tieto pokyny si dôkladne prečítajte. Oboznámte sa s ovládačmi a správnym používaním zariadenia. Naučte sa rýchlo zastaviť motor.
- Kosačku používajte len na účel, na ktorý bola navrhnutá, a to na kosenie a zber trávy. Akékoľvek iné použitie môže mať za následok poškodenie stroja. Príklady nesprávneho použitia môžu zahŕňať, ale nie sú obmedzené len na:
 - prepravu osôb, detí alebo zvierat na stroji;
 - prepravu iným strojom;
 - používanie stroja na ťahanie alebo tlačenie nákladov;
 - používanie stroja na zber lístia alebo úlomkov;
 - používanie stroja na strihanie živých plotov alebo na kosenie inej vegetácie než trávy;
 - používanie stroja viac než jednou osobou;
 - používanie čepele na iných než trávnatých povrchoch.
- Nikdy nedovoľte, aby deti alebo osoby, ktoré neboli oboznámené s týmito pokynmi používali kosačku. Miestne nariadenia môžu obmedzovať vek obsluhy.
- Kosačku nikdy nepoužívajte:
 - ak stoja v blízkosti osoby, hlavne deti alebo zvieratá;
 - ak obsluha požila liek alebo látky, ktoré môžu znížiť jej schopnosť reagovať a sústrediť sa.
- Berte do úvahy, že obsluha alebo používateľ je zodpovedný za nehody alebo riziká vzniknulé vo vzťahu k ostatným osobám alebo k ich majetku.
- Obsluha musí absolvovať zodpovedajúce školenie týkajúce sa používania, nastavovania a obsluhy tohto zariadenia, vrátane zakázaných úkonov.

Príprava

- Počas kosenia vždy používajte pevnú obuv a dlhé nohavice. Zariadenie neobsluhujte, pokiaľ ste bosí alebo máte sandále.
- Dôkladne skontrolujte miesto používania zariadenia a odstráňte všetky predmety, ako sú kamene, hračky, palice a drôty, ktoré by zariadenie mohlo vymrštiť.

- **VÝSTRAHA** – benzín je veľmi horľavý.
 - palivo skladujte v nádobách špeciálne navrhnutých na tento účel;
 - palivo dopĺňajte v exteriéri a počas dopĺňania paliva nefajčíte;
 - palivo dopĺňajte pred naštartovaním motora. Nikdy nesnímajte uzáver palivovej nádrže ani nepridávajte benzín, pokiaľ motor beží, alebo pokiaľ je motor horúci;
 - pokiaľ dôjde k rozliatiu benzínu, nepokúšajte sa naštartovať motor, ale stroj preneste do dostatočnej vzdialenosti od miesta rozliatia a zabráňte vzniku zdroja zapálenia, a to až dokiaľ sa benzínové výpary nerozptýlia;
 - uzáver palivovej nádrže a nádoby bezpečne nasadte naspäť.
- Vymeňte chybné tlmiče.
- Pred používaním vždy vizuálne skontrolujte a presvedčte sa, že čepele, skrutky čepelí a montážna zostava rezného náradia nie sú opotrebované alebo poškodené. Aby ste zachovali vyváženú, vymieňajte naraz celú zostavu opotrebovaných alebo poškodených čepelí a skrutiek.
- Pravidelne vykonávajte kontrolu, aby ste sa uistili, že všetky blokovania spúšťania a ovládacie prvky na kontrolu prítomnosti obsluhy fungujú správne.

Prevádzka

- Motor neprevádzkujte v uzavretom priestore, kde môže dôjsť k nahromadeniu nebezpečných výparov oxidu uhľoňatého.
- Nepoužívajte zariadenie, keď ste unavení, chorí alebo pod vplyvom alkoholu alebo iných omamných látok.
- **Výstraha!** Nepoužívajte kosačku na trávu, keď existuje riziko vznietenia.
- Odporúča sa obmedziť dobu činnosti, aby sa minimalizovalo riziko vyplývajúce z pôsobenia hluku a vibrácií.
- Dávajte pozor pri používaní kosačky na trávu na svahoch a blízko útesov, priekop alebo násypov.
- Koste iba pri dennom svetle alebo pri dobrom umelom osvetlení.
- Pokiaľ je to možné, vyhnite sa prevádzkovaniu zariadenia v mokrej tráve.
- Na svahoch vždy zaujmite stabilný postoj.
- Kráčajte a nikdy nebežte.
- Pokiaľ ide o kolesové rotačné stroje, koste pozdĺž čela svahov a nikdy nie nahor a nadol.
- Pri zmene smeru na svahoch dávajte maximálny pozor.
- Nekoste na nadmerne strmých svahoch.
- Pri pohybe smerom dozadu alebo pri ťahaní kosačky k sebe dávajte maximálny pozor.
- Čepeľ(e) zastavte pred sklopením kosačky kvôli prenosu cez netravnaté miesta a pred prenášaním kosačky na a z miesta kosenia.
- Kosačku nikdy nepoužívajte, pokiaľ sú poškodené jej chrániče, alebo bez namontovaných bezpečnostných zariadení, napríklad vychýľovačov a/alebo lapačov trávy.
- Upozornenie: Kosačka na trávu sa nesmie používať bez namontovaného kompletného lapača trávy alebo samozatváracieho krytu vyprázdňovacieho otvoru.

- Nemeňte nastavenia regulátora motora ani maximálne otáčky motora.
 - Nevykonávajte zmenu ani nezasahujte do žiadneho pevného nastavenia ovládania rýchlosti otáčok motora.
 - Je zakázané zasahovať do bezpečnostných systémov alebo funkcií kosačky alebo ich vyradovať z činnosti.
 - Pred naštartovaním motora vyraďte všetky čepele a spojky pohonu.
 - Motor naštartujte bezpečne podľa pokynov, pričom nohu majte v dostatočnej vzdialenosti od čepele(!).
 - Kosačku neskláľajte pri štartovaní motora.
 - Nespúšťajte motor, pokiaľ stojíte pred vyprázdňovacím žľabom.
 - Ruky ani nohy nestrkajte do blízkosti alebo pod rotujúce časti. Počas celej doby zabezpečte, aby sa vyprázdňovací otvor nezanášal.
 - Nikdy pri spustenom motore kosačku nezdvíhajte ani neprenášajte.
 - Zastavte motor a odpojte drôt zapaľovacej sviečky, presvedčte sa, že všetky pohyblivé časti sa úplne zastavili a pokiaľ je kosačka vybavená kľúčikom, kľúčik vyberte:
 - pred odstránením zablokovania alebo čistením žľabu;
 - pre vykonávaním kontroly, čistenia alebo prácou na kosačke;
 - po naranení na cudzí predmet. Pred opätovným naštartovaním a prevádzkovaním kosačky skontrolujte kosačku z pohľadu poškodenia a opravte ju;
 - ak kosačka začne neštandardne vibrovať (okamžite skontrolujte).
 - Zastavte motor a odpojte drôt zapaľovacej sviečky, presvedčte sa, že všetky pohyblivé časti sa úplne zastavili a pokiaľ je kosačka vybavená kľúčikom, kľúčik vyberte:
 - vždy, keď kosačku opúšťate;
 - pred doplnením paliva.
 - Počas dobehu motora uberte sýtič a ak je motor vybavený uzatváracím ventilom, v závere kosenia vypnite prívod paliva.
 - Kosačku používajte jedine na účel, pre ktorý bola navrhnutá, a to na kosenie a zber trávy. Akékoľvek iné použitie môže mať za následok poškodenie stroja.
- Ak musíte vyprázdniť palivovú nádrž, vykonajte to otvuk.
 - Nesprávna údržba, použitie nekonformných náhradných komponentov alebo odstránenie či úprava bezpečnostných komponentov môžu poškodiť kosačku a vážne zraniť obsluhu.
 - Používajte len odporúčané nože a náhradné diely od výrobcu. Použitie neoriginálnych dielov môže poškodiť zariadenie a zraniť obsluhu. Kosačku udržiavajte v dobrom pracovnom stave.
 - Ak zariadenie na zastavenie noža nepracuje, požiadajte servisné stredisko o pomoc.

Preprava a manipulácia

- Ak so strojom manipulujete, zdvíhate ho, prepravujete ho alebo ho nakláňate, musíte:
 - používať hrubé pracovné rukavice;
 - uchopiť stroj v bodoch, ktoré poskytujú bezpečné uchopenie, pričom zohľadnite hmotnosť a jej rozloženie;
 - využiť vhodný počet osôb vzhľadom na hmotnosť stroja a charakteristiky vozidla alebo miesta, kde bude uložený alebo prenesený.
- Počas prepravy stroj bezpečne upevnite lanami alebo reťazami.



VÝSTRAHA: Nedotýkajte sa rotujúcej čepele.



VÝSTRAHA: Palivo dopĺňajte na dobre vetranom mieste a pri zastavenom motore.

3. POPIS SÚČASTÍ (Obr. 1)

Obsahuje

A: Kľúč na zapaľovaciu sviečku

4. TECHNICKÉ ÚDAJE

| Model | PLM5600N2 |
|------------------------|-----------------------------------|
| Typ motora | Séria B&S 675EXi, ReadyStart |
| S vlastným pohonom | Áno |
| Zdvihový objem motora | 163 cm ³ |
| Menovitý výkon | 2,6 kW |
| Šírka čepele | 560 mm |
| Menovité otáčky | 2800 / min. |
| Objem palivovej nádrže | 1,0 l |
| Objem olejovej nádrže | 0,47 l |
| Objem lapača trávy | 70 l |
| Čistá hmotnosť | 37,2 kg |
| Nastavenie výšky | 25 – 70 mm, 8 možností nastavenia |

| Model | PLM5600N2 |
|--|-----------------------------|
| Garantovaná úroveň akustického tlaku v polohe používateľa (podľa EN ISO 5395-1 Príloha F a EN ISO 5395-2, EN ISO 4871) | 88,5 dB (A) (K=3 dB (A)) |

Údržba a skladovanie

- Všetky skrutky, svorníky a matice musia byť utiahnuté, aby sa zabezpečil bezpečný prevádzkový stav zariadenia.
- Zariadenie nikdy neskladujte s benzínom v nádrži vo vnútri budovy, kde sa výpary môžu dostať k otvorenému ohňu alebo iskre.
- Motor nechajte vychladnúť pred uskladnením do akéhokoľvek uzatvoreného priestoru. Pred uskladnením kosačku vyčistite a vykonajte na nej údržbu.
- Na zníženie rizika vzniku požiaru motor, tlmič, priestor na batériu a priestor na skladovanie benzínu majte čisté od trávy, listov alebo prílišného množstva maziva.
- Lapač trávy často kontrolujte z pohľadu opotrebovania alebo poškodenia.
- Opotrebované alebo poškodené súčasti z bezpečnostných dôvodov vymeňte.

| Model | PLM5600N2 |
|--|---|
| Meraná úroveň akustického výkonu | 96,3 dB (A) K=1,86 dB (A) |
| Garantovaná úroveň akustického výkonu (podľa 2000/14/ES) | 98 dB (A) |
| Vibrácie (podľa EN ISO 5395-1 Príloha G a EN ISO 5395-2) | 7,90 m/s ² K=1,5 m/s ² |

5. MONTÁŽ

5-1 MONTÁŽ SKLÁPACEJ RUKOVÄTI

1. Pomocou skrutky, podložky a poistného otočného gombíka upevnite spodné riadidlo na konzolu rukoväti. (**Obr. 2, Obr. 3**)
2. Hornú rukoväť a spodnú rukoväť spojte poistným otočným gombíkom. (**Obr. 4, Obr. 5**)
3. Umiestnite kábel okolo otvoru v strednej časti tyčky spodnej rukoväti. Pomocou kábovej svorky ho prichyťte k strednej časti spodnej rukoväti tak, aby bol kábel prichytený na vonkajšej strane rukoväti. (**Obr. 6**)
V opačnom prípade môže byť kábel zovretý pri otváraní/zatváraní zadného krytu.

5-2 NASTAVENIE SPRÁVNEJ VÝŠKY RUKOVÄTI

- 1) Vyskrutkujte poistný otočný gombík upevňujúci spodnú rukoväť.
- 2) Posúvajte spodnou rukoväťou nahor a nadol a nastavte jej správnu výšku. Pre tento typ kosačky si môžete zvoliť 3 nastavovacie výšky – výšková poloha 1 s najväčšou vzdialenosťou spodnej rukoväti od zeme; vo výškovej polohe 3 je spodná rukoväť najbližšie k zemi. (**Obr. 7**)
- 3) Po nastavení správnej výšky a následne spodnej rukoväti upevnite spodnú rukoväť poistným otočným gombíkom. (**Obr. 8**)

5-3 MONTÁŽ A DEMONTÁŽ LAPAČA TRÁVY

1. Montáž: Zdvihnite zadný kryt a zahájkujte lapač trávy na zadnú stranu kosačky. (**Obr. 9, Obr. 10**)
2. Demontáž: Uchopte a zdvihnite zadný kryt a snímte lapač trávy.

5-4 RUKOVÄŤ ŠTARTÉRA

Presuňte rukoväť štartéra od motora k vodiacemu prvku lanka. (**Obr. 11**)

5-5 VÝŠKA REZU

Pokiaľ chcete páčku uvoľniť z ozubenia, vyviňte na ňu tlak smerom von. Výšku nastavte posunutím páčky dopredu alebo dozadu. (**Obr. 12 a článok 7-9**)

6. FUNKCIE

Štandardnú funkciu týchto kosačiek možno prispôsobiť v závislosti na účele používania:

Z kosačky so zadným zberaním na:

1. mulčovaciu kosačku alebo
2. kosačku s bočným vyprázdňovaním.

Čo je mulčovanie?

Počas mulčovania je tráva odseknutá v rámci jedného pracovného kroku, následne je najemno posekaná a vrátená do trávnik ako prírodné hnojivo.

Typy pre kosenie s mulčovaním:

- Vykonajte bežné kosenie 2 cm s cieľom dosiahnuť 6 cm až 4 cm výšku trávy.
- Použite ostrý rezný nôž.
- Nekoste mokrú trávu.
- Nastavte max. rýchlosť otáčok motora.
- Koste pri pohybe pracovným krokom.
- Pravidelne čistite mulčovací klin, vnútornú stranu skrine a pohyblivú čepeľ.

Naštartovanie

6-1 Prispôsobenie na mulčovaciu kosačku



VÝSTRAHA: Len so zastaveným motorom a nehybným rezným nástrojom.

1. Zdvihnite zadný kryt a demontujte lapač trávy.
2. Zatláčte mulčovací klin do plošiny. Mulčovací klin zaistíte tlačidlom do otvoru na plošine. (**Obr. 13, Obr. 14**)
3. Opätovne znížte zadný kryt. (**Obr. 15**)
4. Zdvihnite bočnú klapku a demontujte bočný vyprázdňovací kanál.

6-2 Prestavenie na kosenie s bočným vyprázdňovaním



Len keď sú motor a rezná zostava nehybné!

1. Zdvihnite zadný kryt a demontujte lapač trávy.
2. Zatláčte mulčovací klin do plošiny. Mulčovací klin zaistíte tlačidlom do otvoru na plošine.
3. Zdvihnite bočnú klapku pre bočné vyprázdňovanie. (**Obr. 16**)
4. Na podperný kolík bočnej klapky namontujte bočný vyprázdňovací kanál pre bočné vyprázdňovanie. (**Obr. 17**)
5. Znížte bočnú klapku – klapka spočíva na bočnom vyprázdňovacom kanáli. (**Obr. 18**)

6-3 Kosenie s lapačom trávy



VÝSTRAHA: Len keď sú motor a rezná zostava nehybné.

Pokiaľ chcete kosiť s lapačom trávy, demontujte mulčovací klin a bočný vyprázdňovací kanál pre bočné vyprázdňovanie a namontujte lapač trávy.

1. Demontáž mulčovacieho klina.
 - Zdvihnite zadný kryt a demontujte mulčovací klin.
2. Odstránenie výstupného kanála pre bočný výstup.
 - Nadvihnite bočnú záklopu a odstráňte bočný výstupný kanál.
 - Bočná záklopka automaticky zatvorí výstupný otvor na kryte pomocou sily pružiny.
 - Pravidelne čistite bočnú záklopu a výstupný otvor od zvyškov trávy a zaseknutej nečistoty.

3. Montáž lapača trávy.
- Zdvihnite zadný kryt a zahákujte lapač trávy na zadnú stranu kosačky.

7. POKYNY NA PREVÁDZKU

7-1 PRED NAŠTARTOVANÍM

Motor prevádzkujte v spojení s benzínom a olejom podľa pokynov uvedených v samostatnom návode na obsluhu motora, ktorý je priložený k vašej kosačke. Pokyny si starostlivo prečítajte. (Obr. 19, Obr. 20, Obr. 21)



VÝSTRAHA: Benzín je veľmi horľavý.

Palivo skladujte v kontajneroch špeciálne navrhnutých na tento účel.

Palivo doplňajte iba v exteriéri a pred spustením motora; počas dopĺňania ani manipulácie s palivom nefajčíte. Uzáver palivovej nádrže nesnímajte a benzín nedolievajte nikdy počas chodu motora alebo keď je motor horúci. Pokiaľ dôjde k rozliatiu benzínu, nepokúšajte sa naštartovať motor, ale stroj preneste do dostatočnej vzdialenosti od miesta rozliatia a zabráňte vzniku zdroja zapálenia, a to až dokiaľ sa benzínové výpary nerozptýlia. Všetky uzávery palivových nádrží a nádrží na palivo bezpečne nasadte naspäť.

Pred obrátením kosačky s cieľom údržby čepele alebo vypustenia oleja, vypustíte z nádrže palivo.



VÝSTRAHA: Palivo nikdy nedoplňajte v interiéri, pri spustenom motore alebo ak ste nenechali motor vychladnúť počas doby aspoň 15 minút od jeho spustenia.

7-2 SPUSTENIE MOTORA A ZARADENIE ČEPELE

1. Jednotka je vybavená gumenou pätkou, ktorá sa nachádza nad koncom zapaľovacej sviečky. Presvedčte sa, že kovová slučka na konci drôtu zapaľovacej sviečky (vo vnútri gumenej pätky) je bezpečne utiahnutá ku kovovému hrotu zapaľovacej sviečky.
2. Pri štartovaní studeného alebo zohriateho motora otočte páčku sýtiča kdekolvek medzi polohy „☁“ a „☁“[←]. Pri obsluhu otočte páčku sýtiča do polohy „☁“[←]. (Obr. 22)
3. Stojac za jednotkou uchopte rukoväť s ovládaním brzdy a držte ju oproti hornej rukoväti, ako je to znázornené na Obr. 23.
4. Uchopte rukoväť štartéra ako je to znázornené na Obr. 23 a silno ju potiahnite. Po naštartovaní motora ju pomaly vráťte do skrutky vodiaceho prvku lanka. Pokiaľ chcete zastaviť motor a čepeľ, uvoľnite rukoväť s ovládaním brzdy.



Motor naštartujte bezpečne podľa pokynov, pričom nohu majte v dostatočnej vzdialenosti od čepele.



Kosačku neskláľajte pri štartovaní motora. Kosačku štartujte na rovnom povrchu bez výskytu vysokej trávy alebo prekážok.



Zabráňte styku rúk a nôh s rotujúcimi súčasťami. Nespúšťajte motor, pokiaľ stojíte pred vyprázdňovacím otvorom.

7-3 PRACOVNÉ POSTUPY

Počas prevádzky pevne oboma rukami držte rukoväť s ovládaním brzdy.



Poznámka: Pokiaľ počas prevádzky uvoľníte rukoväť s ovládaním brzdy, dôjde k zastaveniu motora a tým aj prevádzky kosačky.



Výstraha: Aby nedošlo k neúmyselnému spusteniu kosačky, kosačka je vybavená brzdou motora, ktorá sa musí potiahnuť dozadu, aby bolo možné naštartovať motor. Keď sa páčka ovládania motora uvoľní, musí sa vrátiť do svojej pôvodnej polohy, pričom v tomto bode sa motor automaticky vypne.



Poznámka: Brzda motora (rukoväť brzdy): Túto páčku použite na zastavenie motora. Po uvoľnení tejto páčky sa motor a nož automaticky zastavia. Ak chcete kosiť, držte túto páčku v pracovnej polohe. Pred začatím kosenia niekoľkokrát skontrolujte páčku spustenia/zastavenia, aby ste sa uistili, že pracuje správne. Uistite sa, že sa napínacie lanko dá plynulo ovládať (t.j. žiadnym spôsobom sa nezachytáva ani neskrúca).

7-4 ZASTAVENIE MOTORA



UPOZORNENIE: Po vypnutí motora sa bude čepeľ ešte niekoľko sekúnd otáčať.

1. Pokiaľ chcete zastaviť motor a čepeľ, uvoľníte rukoväť s ovládaním brzdy. (Obr. 24)
2. Odpojte a uzemnite drôt zapaľovacej sviečky, ako je to uvedené v samostatnom návode na obsluhu motora, čím zabránite náhodnému naštartovaniu počas doby, kedy je zariadenie ponechané bez dozoru.

7-5 SPOJENIE PRE AUTOMATICKÝ POHYB

Kosačka je vybavená systémom nastavenia rýchlosti, ktorým dokážete nastaviť 3 rýchlosti v rozsahu 3,0 km/h až 4,5 km/h.

Poloha „☁“: poloha pre najpomalší pohyb; Poloha „☁“[←]: poloha pre najrýchlejší pohyb. (Obr. 25)

Vykonajte to nasledujúcim spôsobom:

1. Uvoľníte rukoväť ovládania vlastného pohonu, a to dokiaľ sa kosačka nebude pohybovať dopredu.
2. Nastavte vami požadovanú správnu rýchlosť.
3. Uchopte rukoväť ovládania vlastného pohonu a pokračujte v kosení. (Obr. 26)



UPOZORNENIE: Vaša kosačka je navrhnutá na sekanie trávy na plochách pri obytných budovách, ktorej výška je do 250 mm. Nepokúšajte sa kosiť nezvyčajne vysokú suchú alebo mokrá trávu (napr. pastviny) alebo kopy suchého lístia. Na plošine kosačky sa môžu usádzať úlomky, alebo môže dôjsť ku kontaktu s motorom s dôsledkom možného rizika požiaru.

7-6 AKO DOSIAHNUŤ NAJLEPŠIE VÝSLEDKY POČAS KOSENIA

Vyčistíte trávnik od úlomkov. Z trávniku odstráňte kamene, triesky, drôty alebo ďalšie cudzie predmety, ktoré by mohli byť kosačkou náhodne odhodené ktorýmkoľvek smerom a ktoré mohli spôsobiť vážne osobné poranenia obsluhu a ostatných, ako aj poškodenie majetku a okolitých objektov. Nekoste mokrá trávu. Na dosiahnutie účinného kosenia nekoste mokrá trávu, pretože má tendenciu prilnúť na spodnú časť plošiny a zabráňovať v správnom kosení kúsok trávy. Koste na dĺžku nie viac ako 1/3 dĺžky trávy. Odporúčaná výška rezu pre kosenie je 1/3 dĺžky trávy. Rýchlosť pohybu po zemi je potrebné nastaviť tak, aby boli odseknuté kúsky rovnomerne roztrúsené do trávnik. Hlavne pre ťažké kosenie hustej trávy môže byť potrebné použiť jednu za najnižších rýchlostí s cieľom dosiahnuť čisté dobré kosenie. Pri kosení vysokej trávy bude potrebné vykonať kosenie trávnik v dvoch fázach, pričom v prípade druhého kosenia dôjde k zníženiu čepale o ďalšiu 1/3 a možno kosiť aj v inom smere, ako ste kosili prvýkrát. Mierne prekryvanie pásov kosenia pri každom prechode kosačkou taktiež dopomôže vyčistiť zabudnuté zvyšky z trávnik. Kosačka by mala byť vždy prevádzkovaná pri plne otvorenom štíči s cieľom dosiahnuť najlepší rez a umožniť najefektívnejšie kosenie. Vyčistíte spodnú stranu plošiny. Po každom použití vyčistíte spodnú stranu plošiny kosačky s cieľom zabrániť koseniu trávy, ktorá by zabránila správne mulčovaniu. Kosenie lístia. Prínosom pre váš trávnik môže byť aj kosenie lístia. Pri kosení lístia sa presvedčte, že lístie je suché a neleží na trávniku vo veľmi hrubej vrstve. Pred kosením nečakajte, kým zo stromov opadne všetko lístie.



VÝSTRAHA: Po narazení na cudzí predmet zastavte motor. Od zapalovacej sviečky odpojte drôt, dôkladne skontrolujte kosačku z pohľadu poškodenia a poškodenie opravte pred opätovným naštartovaním a prevádzkovaním kosačky. Nadmerné vibrácie kosačky počas prevádzky indikujú poškodenie. Jednotka by mala byť čo najskôr skontrolovaná a opravená.

7-7 LAPAČ TRÁVY

Na zadnom kryte je priehľadné okienko, cez ktoré môžete kontrolovať stav trávy v lapači trávy. Ak je lapač naplnený trávou, bude potrebné vyprázdniť a vyčistiť lapač trávy; skontrolujte že je čistý a že cez sieťovinu môže prechádzať vzduch. **(Obr. 27)**

7-8 PLOŠINA

Spodná strana plošiny kosačky by mala byť vyčistená po každom použití, aby sa zabránilo usadzovaniu zvyškov trávy, lístia, špiny a ďalších materiálov. Pokiaľ umožníte hromadeniu zvyškov, podporíte tak vznik hrdze a korózie, a taktiež zabránite správne mulčovaniu. Plošinu môžete vyčistiť sklopením kosačky a oškriabaním dočista pomocou vhodného nástroja (skontrolujte, že ste najprv odpojili drôt zapalovacej sviečky).

7-9 POKYNY PRE NASTAVENIE VÝŠKY



UPOZORNENIE: Nikdy na kosačke nevykonávajte žiadne úpravy bez toho, aby ste ju najprv zastavili a odpojili drôt zapalovacej sviečky.



UPOZORNENIE: Pred zmenou výšky kosenia zastavte kosačku a odpojte drôt zapalovacej sviečky.

Vaša kosačka je vybavená centrálnou páčkou nastavenia výšky, ktorá ponúka 8 výškových polôh.

1. Pred vykonaním zmeny výšky kosenia zastavte kosačku a odpojte drôt zapalovacej sviečky.
2. Centrálna páčka nastavenia výšky ponúka 8 rôznych výškových polôh.

Pokiaľ chcete zmeniť výšku rezu, stlačte páčku nastavenia smerom ku kolesu a posuňte nahor alebo nadol na zvolenú výšku.

Všetky kolesá budú v rovnakej výške rezu. **(Obr. 28)**

8. POKYNY PRE ÚDRŽBU

ZAPALOVACIA SVIEČKA

Používajte jedine originálnu náhradnú sviečku. Na dosiahnutie najlepších výsledkov vymieňajte zapalovaciu sviečku raz za 100 hodín používania.

BRZDOVÉ SEGMENTY

U servisného zástupcu nechajte pravidelne skontrolovať a/alebo vymeniť brzdové segmenty, pričom na výmenu sa smú použiť len originálne diely.

9. POKYNY PRE MAZANIE



UPOZORNENIE: PRED VYKONÁVANÍM SERVISU ODPojTE ZAPALOVACIU SVIEČKU.

1. KOLESÁ – všetky guľôčkové ložiská všetkých kolies namažte ľahkým olejom aspoň raz za sezónu.
2. MOTOR – pokyny pre mazanie nájdete v návode na obsluhu motora.

10. ČISTENIE



UPOZORNENIE: Motor neumývajte hadicou. Voda môže poškodiť motor a znečistiť palivový systém.

1. Plošinu kosačky utrite dosucha tkaninou.
2. Hadicou umyte spodnú časť plošiny kosačky naklonením kosačky tak, aby zapalovacia sviečka bola hore.

10-1 VZDUCHOVÝ ČISTIČ MOTORA



UPOZORNENIE: Nedovoľte, aby špina alebo prach zanesli penový prvok vzduchového filtra. Servis (vyčistenie) prvku vzduchového filtra motora sa musí vykonávať po 25 hodinách štandardného kosenia. Servis penového prvku sa musí vykonávať pravidelne, pokiaľ sa kosačka používa v suchých prašných podmienkach.

ČISTENIE VZDUCHOVÉHO FILTRA

1. Nadvihnite výčnelok na kryte filtra. **(Obr. 29)**
2. Demontuje kryt filtra.
3. Prvok filtra umyte v saponátovej vode.
NEPOUŽÍVAJTE BENZÍN!
4. Prvok filtra nechajte vyschnúť na vzduchu.
5. Na penový filter kvapnite niekoľko kvapiek oleja SAE30 a dôkladne stlačte s cieľom odstrániť prebytočný olej.
6. Filter nainštalujte.
7. Zatvorte kryt filtra.

POZNÁMKA: Filter vymeňte ak je roztrhnutý, poškodený, alebo ak ho nemožno vyčistiť.

10-2 REZNÁ ČEPEĽ



UPOZORNENIE: Pred prácou na reznej čepeľi odpojte a uzemnite drôt zapaľovacej sviečky s cieľom predísť náhodnému spusteniu motora. Ruky si chráňte používaním hrubých rukavíc alebo handry, ktorou uchopíte čepele. Kosačku prevráťte, ako je to uvedené v samostatnom návode na obsluhu motora. Odskrutkujte šesťhrannú skrutku a podložku pridržiavajúcu čepeľ a adaptér čepele ku kľukovému hriadeľu motora. Z kľukového hriadeľa demontujte čepeľ a adaptér.



VÝSTRAHA: Adaptér čepele pravidelne kontrolujte z pohľadu prasklín, a to hlavne ak narazíte na cudzí predmet. V prípade potreby vymeňte. Kvôli dosiahnutiu najlepších výsledkov by mala byť čepeľ ostrá. Čepeľ možno opätovne naostriť po jej demontovaní buď brúsením alebo pilníkovaním reznej hrany, a to pri čo najlepšom zachovaní pôvodného skosenia čepele. Je nesmierne dôležité, aby ste každú reznú hranu obrúšili o rovnaké množstvo materiálu, aby ste tak predišli nevyváženosti čepele. Nesprávne vyváženie čepele bude mať za následok nadmerné vibrácie s dôsledkom eventuálneho poškodenia motora a kosačky. Po naostrení čepeľ dôkladne vyvážite. Vyváženie čepele možno skontrolovať jej vyvážením na skrutkovači s okrúhlyou tyčkou. Z hrubšej strany odstráňte kov, a to až dokiaľ nebude čepeľ vyvážená. **(Obr. 30)** Pred opätovným namontovaním čepele a adaptéra čepele na jednotku namažte kľukový hriadeľ motora a vnútorný povrch adaptéra čepele ľahkým olejom. Adaptér čepele nainštalujte na kľukový hriadeľ. Pozrite si **Obr. 30**. Čepeľ umiestnite tak, aby číslo súčiastky smerovalo od adaptéra. Nad čepeľ uložte podložku a vložte šesťhrannú skrutku. Šesťhrannú skrutku utiahnite na hodnotu krútiaceho momentu uvedenú nižšie.

10-3 MONTÁŽNY KRÚTIACI MOMENT PRE ČEPEĽ

Stredná skrutka 40 Nm – 50 Nm na zaistenie bezpečnej činnosti vašej jednotky. VŠETKY matice a skrutki musia byť pravidelne kontrolované z pohľadu správneho utiahnutia.

Po dlhodobom používaní, hlavne v podmienkach piesčitej pôdy, dôjde k opotrebovaniu čepele a k strate časti jej pôvodného tvaru. Dôjde z redukovanou účinného kosenia a čepeľ bude potrebné vymeniť. Vymeňte jedine za výrobné schválenú náhradnú čepeľ. Možné poškodenie v dôsledku stavu nevyváženosti čepele nie je v zodpovednosti výrobcu.

Pri výmene čepele musíte použiť originálny typ vyznačený na čepeľi (MAKITA 263001171) (pokiaľ si chcete objednať čepeľ, spojte sa so svojim miestnym predajcom, alebo zavolajte na našu spoločnosť; pozrite si obálku).

10-4 MOTOR

Pokyny ohľadne údržby motora nájdete v samostatnom návode na obsluhu motora.

Motorový olej používajte podľa pokynov v samostatnom návode na obsluhu motora dodávanom s vašou jednotkou. Pokyny si dôkladne prečítajte a dodržiavajte ich.

Servis vzduchového čističa v rámci štandardných podmienok vykonávajúce podľa samostatného návodu na obsluhu motora.

V prípade veľmi prašných podmienok čistite stále po niekoľkých hodinách. Slabý výkon motora a jeho zaplavenie sú príznakom toho, že by ste mali vykonať servis vzduchového čističa.

Informácie o vykonávaní servisu vzduchového čističa nájdete v samostatnom návode na obsluhu motora, ktorý je súčasťou balenia vašej jednotky.

Zapaľovaciu sviečku by ste mali vyčistiť a jej iskrište opätovne nastaviť raz za sezónu. Vykonať výmenu zapaľovacej sviečky sa odporúča na začiatku každej sezóny kosenia; informácie o správnom type zapaľovacej sviečky a technické špecifikácie o iskrišti nájdete v návode na obsluhu motora.

Motor pravidelne čistite pomocou tkanina alebo kefy. Chladiaci systém (miesto skrine ventilátora) udržiavajte v čistote, aby ste zabezpečili správnu cirkuláciu vzduchu, ktorá je dôležitá pre výkon a životnosť motora. Z oblasti tlmiača vyčistite trávu, špinu a horľavé úlomky.

11. POKYNY PRE USKLADNENIE (MIMO SEZÓNY)

Pokiaľ chcete pripraviť kosačku na skladovanie, vykonajte nasledujúce kroky.

1. Po poslednom kosení v rámci sezóny vyprázdňte nádrž.
 - a) Palivovú nádrž vyprázdňte pomocou sacieho čerpadla.



UPOZORNENIE: Benzín nevypúšťajte v uzatvorených miestnostiach, v blízkosti otvoreného ohňa a podobne. Nefajčite! Benzínové výpary môžu spôsobiť výbuch alebo požiar.

- b) Naštartujte motor a nechajte ho bežať, dokiaľ sa nespotrebuje všetok benzín a nezastaví sa motor.

c) Zapaľovaciu sviečku demontujte. Pomocou plechovky na olej nalejte do spaľovacej komory asi 20 ml oleja. Pohybovaním štartérom v spaľovacej komore rovnomerne naneste olej. Namontujte zapaľovaciu sviečku.

2. Kosačku dôkladne vyčistíte a namažte, ako je to opísané v časti „POKYNY PRE MAZANIE“.
3. Aby ste predišli korózii, sečné náradie mierne namažte.
4. Kosačku uskladnite na suchom a pred mrazom chránenom mieste, mimo dosahu neoprávnených osôb.



POZNÁMKA:

- Pri uskladnení akéhokoľvek typu elektrického zariadenia v nevetranej kôlmi alebo v kôlmi na uskladnenie materiálu.
- Pozornosť by ste mali venovať ochrane zariadenia pred hrzdou. Pomocou ľahkého oleja alebo silikónu namažte zariadenie, hlavne káble a pohyblivé súčasti.
- Dávajte pozor, aby ste neohli alebo neskrútili káble.
- Pokiaľ dôjde k odpojeniu lanka štartéra od vodiaceho prvku lanka na rukoväti, odpojte a uzemnite drôt zapaľovacej sviečky, stlačte rukoväť ovládania čepele a pomaly vytiahnite z motora lanko štartéra. Lanko štartéra zasuňte do skrutky vodiaceho prvku lanka na rukoväti.



UPOZORNENIE: Pre uskladnením kosačky musí motor úplne vychladnúť.

Preprava

Vypnite motor a nechajte ho vychladnúť. Potom odpojte kábel zapaľovacej sviečky a vyprázdňte palivovú nádrž podľa pokynov v príručke motora. Pri tlačení kosačky cez prekážku dávajte pozor, aby nedošlo k ohnutiu alebo poškodeniu sečného náradia.

12. RIEŠENIE PROBLÉMOV

| PROBLÉM | MOŽNÁ PRÍČINA | NÁPRAVA |
|---|--|---|
| Motor nenašartuje. | Škrtiaca klapka nie je v správnej polohe pre aktuálne pretrvávajúce podmienky. | Posuňte škrtiacu klapku do správnej polohy. |
| | Palivová nádrž je prázdna. | Palivovú nádrž naplňte palivom: pozrite si NÁVOD NA OBSLUHU MOTORA . |
| | Prvok vzduchového čističa je špinavý. | Prvok vzduchového čističa vyčistite: pozrite si NÁVOD NA OBSLUHU MOTORA . |
| | Zapaľovacia sviečka je uvoľnená. | Zapaľovaciu sviečku utiahnite na hodnotu krútiaceho momentu 25 – 30 Nm. |
| | Drôt zapaľovacej sviečky je uvoľnený alebo odpojený od sviečky. | Drôt zapaľovacej sviečky nainštalujte na zapaľovaciu sviečku. |
| | Iskrište zapaľovacej sviečky nie je správne nastavené. | Nastavte iskrište tak, aby štrbina medzi elektródami bola 0,7 až 0,8 mm. |
| | Zapaľovacia sviečka je chybná. | Nainštalujte novú sviečku so správne nastaveným iskrištom: pozrite si NÁVOD NA OBSLUHU MOTORA . |
| | Karburátor je zaplavený palivom. | Demontujte prvok vzduchového čističa a ťahajte nepretržite lanko štartéra, dokiaľ sa karburátor sám nevyčistí; následne nainštalujte prvok vzduchového čističa. |
| Chybný modul zapaľovania. | Spojte sa so servisným zástupcom. | |
| Je ťažké naštartovať motor, alebo motor stráca výkon. | Špina, voda alebo uschnutá palivová nádrž. | Palivovú nádrž vypustite a vyčistite. Nádrž naplňte čistým, čerstvým palivom. |
| | Vetračí otvor na uzávere palivovej nádrže je upchaný. | Vyčistite alebo vymeňte uzáver palivovej nádrže. |
| | Prvok vzduchového čističa je špinavý. | Prvok vzduchového čističa vyčistite. |

| PROBLÉM | MOŽNÁ PRÍČINA | NÁPRAVA |
|--|---|---|
| Motor pracuje nepravidelne. | Zapaľovacia sviečka je chybná. | Nainštalujte novú sviečku so správnym nastaveným iskrištom: pozrite si NÁVOD NA OBSLUHU MOTORA. |
| | Iskrište zapaľovacej sviečky nie je správne nastavené. | Nastavte iskrište tak, aby štrbina medzi elektródami bola 0,7 až 0,8 mm. |
| | Prvok vzduchového čističa je špinavý. | Prvok vzduchového čističa vyčistite: pozrite si NÁVOD NA OBSLUHU MOTORA. |
| Voľnobeh motora je slabý. | Prvok vzduchového čističa je špinavý. | Prvok vzduchového čističa vyčistite: pozrite si NÁVOD NA OBSLUHU MOTORA. |
| | Vetracie štrbiny na plášti motora sú zablokované. | Zo štrbín odstráňte úlomky. |
| | Chladiace rebrá a vzduchové prechody pod skriňou ventilátora motora sú zablokované. | Z chladiacich rebier a vzduchových prechodov odstráňte úlomky. |
| Motor pri vysokých otáčkach vynecháva. | Štrbina medzi elektródami zapaľovacej sviečky je veľmi malá. | Nastavte iskrište tak, aby štrbina medzi elektródami bola 0,7 až 0,8 mm. |
| Motor sa prehrieva. | Tok chladiaceho vzduchu je obmedzený. | Odstráňte všetky úlomky zo štrbín v plášti, skrine ventilátora a vzduchových prechodov. |
| | Nesprávna zapaľovacia sviečka. | Nainštalujte pôvodnú zapaľovaciu sviečku a chladiace rebrá na motore. |
| Kosačka neštandardne vibruje. | Rezná zostava je uvoľnená. | Utiahnite čepeľ. |
| | Rezná zostava je nevyvážená. | Čepeľ vyvážte. |

13. OCHRANA ŽIVOTNÉHO PROSTREDIA

Pokiaľ chcete po dlhodobom používaní stroja stroj vymeniť za iný, nevyhadzujte ho do domového odpadu, ale ho zneškodnite environmentálne bezpečným spôsobom.

14. VYHLÁSENIE O ZHODE V RÁMCI ES

Len pre krajiny Európy

Vyhlasenie o zhode v rámci ES je do tohto návodu na používanie zahrnuté ako Príloha A.

Vysvětlení k celkovému pohledu

- | | | |
|-----------------------------|-------------------------------|--|
| 1. Držadlo ovládání brzd | 10. Boční vyhozovací kanál | 19. Mulčovací klín |
| 2. Horní část držadla | 11. Postranní záklopka | 20. Tlačítko |
| 3. Držadlo ovládání pojezdu | 12. Kryt | 21. Víčko olejové nádrže/olejová měrka |
| 4. Páčka plynu | 13. Zapalovací svíčka | 22. Max.: horní mez |
| 5. Rukojeť startéru | 14. Víčko palivové nádrže | 23. Min.: dolní mez |
| 6. Vodítko lanka | 15. Víčko olejové nádrže | 24. Západka |
| 7. Pojistný knoflík | 16. Příchytka kabelu | 25. Kryt filtru |
| 8. Sběrací koš | 17. Dolní část držadla | |
| 9. Páčka nastavení výšky | 18. Páčka nastavení rychlosti | |



VAROVÁNÍ:

Před uvedením nového zařízení do provozu si v zájmu vlastní bezpečnosti nejprve přečtěte tuto příručku. Nedodržení pokynů může vést k závažnému poranění. Před každým použitím se krátce seznámte s ovládáním sekačky. Návod si uschovejte na bezpečném místě tak, abyste měli tyto informace vždy k dispozici. Pokud předáte zařízení jiné osobě, předejte jí také tento návod k použití a bezpečnostní předpisy.

Určené použití

Toto zařízení lze používat pouze k účelům, pro něž bylo navrženo. Jakékoliv jiné použití se považuje za případ zneužití. Za veškeré škody nebo zranění jakéhokoliv druhu způsobené ve výše uvedeném důsledku neodpovídá výrobce, nýbrž uživatel/provozovatel.

Benzinová sekačka na trávu je určena k soukromému použití, tzn. k provozu na domácích zahradách.

Za soukromé používání sekačky se považuje provozní doba, která obecně nepřesahuje 50 hodin za rok, během nichž stroj slouží zejména k udržování malých trávníků u rodinných domků a na domácích/hobby zahrádkách.

Vyloučena jsou veřejná prostranství, sportovní areály a zemědělské/lesní plochy.

Pamatujte si, že naše zařízení není určeno pro komerční, obchodní nebo průmyslové využití. Při použití našeho zařízení ke komerčním, obchodním, průmyslovým nebo podobným účelům dochází k porušení záruky.

Návod k použití dodávaný výrobcem je třeba dodržovat a řídit se jeho pokyny, aby bylo zajištěno správné používání a údržba sekačky. Návod obsahuje cenné informace týkající se ovládání, údržby a servisu.

Důležité! Kvůli vysokému riziku fyzického poranění uživatele se sekačka nesmí používat k řezání křoví, živých plotů nebo keřů, k odstraňování vegetace, kosení osázených střech nebo balkónových trávníků, k čištění (odsávání) nečistot a usazenin na chodnicích, nebo k osekávání větví či stříhání živých plotů. Kromě toho se sekačka nesmí používat jako motorový kultivátor ke srovnávání terénu, např. krtinců.

Z bezpečnostních důvodů se sekačka nesmí používat jako pohonná jednotka pro jiné pracovní stroje nebo nářadí jakéhokoliv druhu.

1. SYMBOLY VYZNAČENÉ NA VÝROBKU (na zadní straně)



Přečtěte si uživatelskou příručku.



Nepracujte v blízkosti přihlížejících osob.



Obsluha si musí dávat pozor na ruce a nohy, aby nedošlo ke zranění.



Palivo je hořlavé, nepřibližujte se k otevřenému ohni. Palivo nenalévejte do spuštěné sekačky.



Benzinové výpary jsou toxické – nepracujte uvnitř budov.



Při sekání používejte brýle a ochranu sluchu.



Při opravě vyjměte zapalovací svíčku a postupujte v souladu s návodem k obsluze.



Upozornění: Motor je horký.

2. VŠEOBECNÁ BEZPEČNOSTNÍ PRAVIDLA



VAROVÁNÍ: Při práci s zařízením poháněným spalovacím motorem je vždy třeba dodržovat základní bezpečnostní opatření (včetně níže uvedených). Zamezte tak nebezpečí vážného zranění či poškození zařízení. Před prací se zařízením si přečtěte veškeré pokyny a uchovejte je pro pozdější využití.



VAROVÁNÍ: Při provozu tohoto zařízení vzniká elektromagnetické pole. Toto pole může za určitých okolností rušit činnost aktivních či pasivních lékařských implantátů. Osobám s lékařskými implantáty proto v zájmu omezení nebezpečí vážného poškození zdraví nebo i smrtelného úrazu doporučujeme, aby se před používáním tohoto zařízení poradily s lékařem nebo výrobcem příslušného implantátu.

Průprava

- Pečlivě si přečtěte pokyny. Obeznamte se s ovládacími prvky a správným používáním zařízení. Naučte se rychle vypínat motor.
- Sekačku na trávu používejte pouze k určeným účelům, čili k sekání a sběru trávy. Jakékoli jiné využití může být nebezpečné a může vést k poškození zařízení. Příklady nesprávného používání mimo jiné zahrnují i následující činnosti:
 - převážení osob, dětí či zvířat na zařízení,
 - vození se na zařízení,
 - používání zařízení k tahání či tlačení břemen,
 - používání zařízení ke sběru listí či odštěpků,
 - používání zařízení k ořezávání trávníků nebo k sekání jiné než travní vegetace,
 - využívání zařízení více než jednou osobou,
 - používání nože na jiných než travnatých plochách.
- Nikdy nedovolte, aby sekačku obsluhovaly děti nebo osoby neobeznámené s těmito pokyny. Věk obsluhy může být omezen místními předpisy.
- Sekačku na trávu nikdy nepoužívejte v následujících situacích:
 - v blízkosti osob, zvláště pak dětí a domácích mazlíčků,
 - jestliže užíváte léky nebo látky ovlivňující rychlost reakcí a koncentraci.
- Pamatujte, že za nehody nebo vystavení nebezpečí jiných osob a jejich majetku odpovídá obsluha či uživatel.
- Obsluha musí absolvovat řádné zaškolení v používání, seřizování a ovládání stroje, včetně zakázaných operací.

Příprava

- Při sekání vždy noste pevnou obuv a dlouhé kalhoty. Se zařízením nepracujte naboso ani v otevřených sandálech.
- Pečlivě si prohlédněte místo, kde budete se zařízením pracovat, a odstraňte veškeré předměty (např. kameny, hračky, klacky a dráty), které by sekačka mohla odmrštit.

- **VAROVÁNÍ** – benzin je vysoce hořlavý.
 - palivo skladujte v nádobách speciálně navržených pro tento účel,
 - palivo doplňujte pouze venku a při této činnosti nekuřte,
 - palivo doplňujte před spuštěním motoru. Jestliže je sekačka spuštěná nebo pokud je motor horký, nikdy nesnímejte víčko palivové nádrže ani nedoplňujte palivo.
 - při rozlití benzínu se nepokoušejte nastartovat motor, ale přesuňte zařízení z místa politého benzinem a před odpařením paliva dejte pozor, abyste nezpůsobili jeho vznícení,
 - pevně zaskrubujte víčko nádrže i víčko nádoby s palivem.
- Pokud je vadný tlumič, vyměňte jej.
- Před prací vždy vizuálně zkontrolujte, zda není opotřebený či poškozený sekací nůž, šrouby nože a sekací sestava. Opotřebený či poškozený nůž se šrouby vyměňujte v celé sadě, abyste zachovali vyváženost.
- Pravidelně kontrolujte řádnou funkci všech uzávěrů startování a kontrolních prvků přítomnosti obsluhy.

Provoz

- Nespouštějte motor v omezených prostorách, kde se mohou shromažďovat nebezpečné zplodiny oxidu uhelnatého.
- Stroj nepoužívejte, pokud jste unaveni, nemocní nebo pod vlivem alkoholu či návykových látek.
- Varování! Sekačku nepoužívejte, pokud existuje nebezpečí zásahu bleskem.
- Doporučuje se omezit dobu provozu, aby se minimalizovalo nebezpečí hluku a vibrací.
- Dávejte pozor, pokud sekačku používáte na svazích a poblíž prohlubní, příkopů či náspů.
- Sekejte pouze za denního světla nebo při dobrém umělém osvětlení.
- Se zařízením nepracujte pokud možno v mokré trávě.
- Při práci ve svahu vždy dávejte pozor, kam šlapete.
- Krácejte – nikdy neběhejte.
- S kolovými sekačkami pojíždějte při sekání po vrstevnicích svahu, nikdy nahoru a dolů.
- Při změně směru ve svahu buďte mimořádně opatrní.
- Nesekejte v přílích strmých svazích.
- Buďte mimořádně opatrní při otáčení nebo tahání sekačky směrem k sobě.
- Při nutnosti naklonění sekačky kvůli transportu s přejižděním jiných než travnatých ploch a při transportu sekačky na pracoviště a z pracoviště vypněte motor pohánějící nůž (nože).
- Nikdy nepracujte se sekačkou s vadnými kryty nebo se sejmутým bezpečnostním zařízením, například bez krytu vyhadzovacího kanálu nebo bez sběracího koše.
- Upozornění: Sekačka se nesmí používat bez nasazeného koše na trávu nebo bez samouzavírací zátky nasazené na vyhadzovací kanál.
- Neměňte nastavení regulátoru motoru a motor nepřetěžujte vysokými otáčkami.
- Neupravujte ani nezasahujte do jakéhokoli uzavřeného nastavení pro regulaci otáček motoru.
- Do bezpečnostních prvků ani funkcí sekačky se nesmí zasahovat ani je vyřazovat.

- Před spuštěním motoru vypněte všechny spojky nožů a pohonu.
- Motor startujte opatrně podle pokynů a s nohama v dostatečné vzdálenosti od nože (nožů).
- Při spouštění motoru sekačku nenaklápějte.
- Motor nespouštějte, jestliže stojíte před vyhazovacím kanálem.
- Do blízkosti nebo pod rotující díly nestrkejte ruce ani nohy. Vždy se zdržujte mimo dosah otvoru pro boční výhoz.
- Pokud je motor v chodu, sekačku nikdy nezvedejte a nepřenášejte.
- V následujících situacích vypněte motor, odpojte kabel zapalovací svíčky, ujistěte se, zda se všechny pohyblivé díly zcela zastavily a u modelů vybavených klíčem vyjměte klíč:
 - před uvolňováním zablokování nebo při uvolňování ucpaného vyhazovacího kanálu,
 - před kontrolou, čištěním nebo pracemi na sekačce,
 - po kontaktu s cizorodým předmětem. Sekačku zkontrolujte, zda není poškozená a před opětovným spuštěním a pracovním využitím proveďte případnou opravu,
 - jestliže sekačka začne neobvykle vibrovat (provedte okamžitou kontrolu).
- V následujících situacích vypněte motor, odpojte kabel zapalovací svíčky, ujistěte se, zda se všechny pohyblivé díly zcela zastavily a u modelů vybavených klíčem vyjměte klíč:
 - kdykoli se od sekačky vzdálíte,
 - před doplňováním paliva.
- Při vypínání motoru uberte plyn a jestliže je motor vybaven uzavíracím ventilem, uzavřete po skončení sekání přívod paliva.
- Sekačku na trávu používejte pouze pro určený účel – k sekání a sběru trávy. Jakékoli jiné využití může být nebezpečné a může vést k poškození zařízení.

Údržba a skladování

- Všechny matice, šrouby a vruty udržujte dotažené – zajistíte tak bezpečnou provozuschopnost zařízení.
- Zařízení s benzínem v nádrži nikdy neukládejte v budovách, kde se mohou výpary dostat do kontaktu s otevřeným ohněm či jiskrami.
- Před uložením v jakémkoli krytu ponechte motor vychladnout; Před uskladněním sekačku vyčistěte a proveďte její údržbu.
- V rámci omezení nebezpečí vzniku požáru udržujte motor, tlumič, prostor akumulátoru a místo skladování benzínu čisté a beze zbytků trávy, listů či nadbytečného maziva.
- Často kontrolujte sběrací koš, zda není opotřebený či poškozený.
- V rámci zajištění bezpečnosti poškozené díly vyměňte.
- V případě nutnosti vypuštění palivové nádrže pracujte venku.
- Při nesprávné údržbě, používání neodpovídajících náhradních dílů nebo odebrání či úpravě bezpečnostních prvků může dojít k poškození sekačky a vážnému zranění obsluhy.
- Používejte pouze nože a náhradní díly doporučené výrobcem. Při použití neoriginálních náhradních dílů může dojít k poškození stroje a poranění obsluhy. Sekačku udržujte v dobrém provozuschopném stavu.

- Pokud prvek k zastavení nože nefunguje, požádejte o pomoc servisní středisko.

Transport a manipulace

- Pokud je nutné se zařízením manipulovat, zvedat je, transportovat či nakláňet, je nutné vždy dodržovat následující opatření:
 - používejte silné pracovní rukavice,
 - zařízení držte v místech umožňujících bezpečný úchop a vezměte v úvahu hmotnost zařízení rozložení váhy,
 - podle hmotnosti zařízení a charakteristik převážejícího vozidla a místa určení či odběru angažujte při manipulaci více osob.
- Při transportu zařízení pevně přivažte lany či řetězy.



VAROVÁNÍ: Nedotýkejte se rotujícího nože.



VAROVÁNÍ: Palivo doplňujte v dobře větraném prostoru a s vypnutým motorem.

3. POPIS SOUČÁSTÍ (obr. 1)

Další součásti

A: Klíč na zapalovací svíčku

4. TECHNICKÁ DATA

| Model | PLM5600N2 |
|-----------------------|-----------------------------|
| Typ motoru | Řada B&S 675EXi, ReadyStart |
| S pojazdem | Ano |
| Zdvihový objem motoru | 163 cm ³ |
| Jmenovitý výkon | 2,6 kW |
| Délka nože | 560 mm |
| Jmenovité otáčky | 2 800/min |
| Objem palivové nádrže | 1,0 l |
| Objem olejové nádrže | 0,47 l |
| Objem sběracího koše | 70 l |
| Čistá hmotnost | 37,2 kg |
| Výškové nastavení | 25 – 70 mm, 8 nastavení |

| Model | PLM5600N2 |
|---|---|
| Zaručená hladina akustického tlaku v místě obsluhy (Podle normy EN ISO 5395-1 Annex F a EN ISO 5395-2, EN ISO 4871) | 88,5 dB (A) (K=3 dB (A)) |
| Naměřená hladina akustického výkonu | 96,3 dB (A) K=1,86 dB (A) |
| Zaručená hladina akustického výkonu (dle 2000/14/ES) | 98 dB (A) |
| Vibrace (Podle normy EN ISO 5395-1 Annex G a EN ISO 5395-2) | 7,90 m/s ² K=1,5 m/s ² |

5. MONTÁŽ

5-1 SESTAVENÍ SKLÁPĚCÍHO DRŽADLA

1. Dolní část držadla upevněte pomocí šroubu, podložky a pojistného knoflíku ke konzole držadla (**obr. 2, obr. 3**).
2. Horní a dolní část držadla spojte pojistným knoflíkem (**obr. 4, obr. 5**).
3. Kabel vedte kolem otvoru tyče střední a dolní části držadla. Kabel přichyťte přichytkou a ujistěte se, zda je upevněn kolem vnější strany držadla (**obr. 6**). Jinak by mohlo dojít ke skřípnutí kabelu otevřením či zavřením zadního krytu.

5-2 NASTAVENÍ SPRÁVNÉ VÝŠKY DRŽADLA

- 1) Odšroubujte pojistný knoflík přidržující dolní část držadla.
- 2) Přesunutím dolní části držadla nahoru či dolů nastavte správnou výšku. U tohoto typu sekačky si můžete vybrat některou ze 3 poloh nastavení výšky: V poloze 1 je dolní část držadla vůči zemi nejvýše a v poloze 3 nejnižší (**obr. 7**).
- 3) Po nastavení správné výšky upevněte dolní část držadla pojistnými knoflíky (**obr. 8**).

5-3 NAsAZENÍ A SEJMUTÍ SBĚRACÍHO KOŠE

1. Nasazení: Zvedněte zadní kryt a sběrací koš zahákněte za zadní část sekačky (**obr. 9, obr. 10**).
2. Sejmutí: Uchopte a zvedněte zadní kryt a pak sběrací koš sejměte.

5-4 RUKOJEŤ STARTÉRU

Rukojeť startéru přesuňte od motoru k vodičku lanka (**obr. 11**).

5-5 VÝŠKA POKOSU

Zatlačením směrem ven uvolněte páčku ze zářezu. Přesunutím páčky směrem vpřed nebo zpět nastavte výšku (**viz obr. 12 a odstavec 7-9**).

6. FUNKCE

Tyto sekačky lze podle účelu použití upravit tak, aby kromě své normální funkce plnily i jiné úkoly:

Ze sekačky se zadním výhozem může být:

1. mulčovací sekačka nebo
2. sekačka s bočním výhozem.

Co je mulčování?

Při mulčování se tráva nejprve usekne a pak se po jemném rozsekání vrací na trávník jako přírodní hnojivo.

Rady k mulčovacímu sekání:

- Pravidelně sekejte max. 2 cm z trávy vysoké 6 až 4 cm.
- Používejte ostrý sekací nůž.
- Nesekejte mokrou trávu.
- Nastavte max. otáčky motoru.
- Sekejte pouze v tempu chůze.
- Pravidelně čistěte mulčovací klín, vnitřní stranu pláště sekačky a sekací nůž.

Uvedení do provozu

6-1 Úprava na mulčovací sekačku



VAROVÁNÍ: Pracujte pouze s vypnutým motorem a sekacím nožem v nečinnosti.

1. Zvedněte zadní kryt a vyjměte sběrací koš.
2. Mulčovací klín zatlačte do krytu. Mulčovací klín zajistěte tlačítkem v otvoru krytu (**obr. 13, obr. 14**).
3. Zadní kryt spusťte zpět dolů (**obr. 15**).
4. Zvedněte postranní záklopku a vyjměte boční vyhozovací kanál.

6-2 Úprava zpět na sekačku s bočním výhozem



VAROVÁNÍ: Pracujte pouze s vypnutým motorem a sekacím nožem v nečinnosti!

1. Zvedněte zadní kryt a vyjměte sběrací koš.
2. Mulčovací klín zatlačte do krytu. Mulčovací klín zajistěte tlačítkem v otvoru krytu.
3. Zvedněte postranní záklopku pro boční výhoz (**obr. 16**).
4. Na opěrný čep postranní záklopky nasadte boční vyhozovací kanál pro boční výhoz trávy (**obr. 17**).
5. Postranní záklopku spusťte dolů – záklopka leží na bočním vyhozovacím kanálu (**obr. 18**).

6-3 Sekání se sběracím košem



VAROVÁNÍ: Pracujte pouze s vypnutým motorem a sekacím nožem v nečinnosti.

Chcete-li při sekání trávy použít sběrací koš, vyjměte mulčovací klín, sundejte vyhozovací kanál pro boční výhoz a nasadte sběrací koš.

1. Vyjměte mulčovací klín.
 - Zvedněte zadní kryt a vyjměte mulčovací klín.
2. Odebrání vyhozovacího nástavce pro boční výhoz.
 - Zvedněte postranní záklopku a odeberte boční vyhozovací nástavec.
 - Sílou pružiny postranní záklopky se otvor pro boční výhoz v konstrukci automaticky uzavře.
 - Postranní záklopku a otvor pro boční výhoz pravidelně čistěte od zbytků trávy a nečistot.
3. Nasazení sběracího koše.
 - Zvedněte zadní kryt a sběrací koš zahákněte za zadní část sekačky.

7. NÁVOD K OBSLUZE

7-1 NEŽ ZAČNETE

Podle pokynů v samostatné příručce k motoru dodané k sekačce naplňte nádrže motoru benzínem a olejem. Pečlivě si přečtěte pokyny (**obr. 19, obr. 20, obr. 21**).



VAROVÁNÍ: Benzín je vysoce hořlavý.

Palivo skladujte v nádobách speciálně navržených pro tento účel.

Benzín doplňujte pouze venku před spuštěním motoru a při doplňování či manipulaci s palivem nekuřte.

Jestliže je sekačka spuštěná nebo pokud je motor horký, nikdy nesnímejte víčko palivové nádrže ani nedoplňujte palivo.

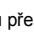
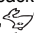

Při rozlítí benzínu se nepokoušejte nastartovat motor, ale přesuňte zařízení z místa politého benzínem a před odpařením paliva dejte pozor, abyste nezpůsobili jeho vznícení.

Pevně zašroubujte víčko nádrže i víčko nádoby s palivem. Před sklopením sekačky za účelem údržby nože či vypuštění oleje vyprázdněte palivovou nádrž.



VAROVÁNÍ: Palivovou nádrž nikdy nenaplňujte uvnitř budov, se spuštěným motorem ani před vychladnutím motoru po uplynutí alespoň 15 minut po vypnutí.

7-2 SPUŠTĚNÍ MOTORU A ZAHÁJENÍ SEKÁNÍ

1. Zařízení je vybaveno pryžovou prachovkou přetaženou přes konec zapalovací svíčky. Ujistěte se, zda je kovové očko na konci kabelu zapalovací svíčky (uvnitř pryžové prachovky) pevně nasazeno na kovovém konci zapalovací svíčky.
2. Při startování studeného či teplého motoru přepněte páčku plynu do libovolného místa mezi polohou „“ a „“. Během provozu otočte páčku plynu do polohy „“. (Obr. 22)
3. Postavte k zadní straně sekačky, uchopte držadlo ovládání brzdy a přitiskněte jej k horní části držadla tak, jak je znázorněno na obr. 23.
4. Uchopte rukojeť startéru podle obr. 23 a rychle za ni zatáhněte. Po nastartování motoru vraťte rukojeť pomalu ke šroubu vodítka lanka.

Chcete-li vypnout motor a zastavit nůž, uvolněte držadlo ovládání brzdy.



Motor startujte opatrně podle pokynů a s nohama v dostatečné vzdálenosti od nože.



Při spouštění motoru sekačku nenaklápějte. Motor startujte na rovné ploše bez vysoké trávy či překážek.



Nepřibližujte ruce ani nohy k rotujícím dílům. Motor nespouštějte, jestliže stojíte před otvorem vyhadzovacího kanálu.

7-3 PRACOVNÍ POSTUPY

Během provozu oběma rukama pevně přidržujte držadlo ovládání brzdy.



Poznámka: Při provozu se po uvolnění držadla ovládání brzdy motor zastaví a sekačka přestane pracovat.



Varování: Aby nedošlo k nechtěnému startu, sekačka je vybavena motorovou brzdou, která se musí před nastartováním motoru přitáhnout. Při uvolnění páky

ovládání motoru se páka musí vrátit do své výchozí polohy, v níž se motor automaticky vypne.



Poznámka: Motorová brzda (držadlo ovládání brzdy): Páku použijte k zastavení motoru. Když páčku uvolníte, motor a nůž se zastaví automaticky. Chcete-li sekat, páku přidržujte v pracovní poloze. Před zahájením sekání páku spuštění/zastavení několikrát zkontrolujte, abyste se ujistili, že pracuje správně. Ověřte si, že se napínací lanko pohybuje plynule (tzn. nijak nevázne ani není zkrouteno).

7-4 VYPNUTÍ MOTORU

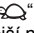



UPOZORNĚNÍ: Po vypnutí motoru se nůž ještě několik vteřin otáčí.

1. Chcete-li vypnout motor a zastavit nůž, uvolněte držadlo ovládání brzdy (obr. 24).
2. Náhodnému spuštění zařízení bez dozoru zamezíte odpojením a uzemněním kabelu zapalovací svíčky tak, jak je uvedeno v samostatném návodu k obsluze motoru.

7-5 SPOJKA POJEZDU

Sekačka je vybavena systémem nastavování rychlosti se 3 rychlostmi (od 3,0 km/h do 4,5 km/h).

Poloha „“: nejpomalejší nastavení; poloha „“: nejrychlejší nastavení (obr. 25).

Postupujte následovně:

1. Uvolněním držadla ovládání pojezdu zastavte pojezd sekačky.
2. Nastavte příslušnou požadovanou rychlost.
3. Přitáhnutím držadla ovládání pojezdu uveďte sekačku do pohybu (obr. 26).



UPOZORNĚNÍ: Sekačka je navržena k sekání běžných trávníků vysokých maximálně 250 mm. Nepokoušejte se sekat mimořádně vysokou a suchou či mokrou travu (např. pastviny) ani hromady suchého listí. V krytu sekačky se může usazovat drť nebo může dojít ke kontaktu s výfukem motoru, což představuje nebezpečí vzniku požáru.

7-6 JAK DOSÁHNOUT NEJLEPŠÍCH VÝSLEDKŮ PŘI SEKÁNÍ

Vyčistěte trávník. Ujistěte se, zda nejsou v trávě kameny, klacky, dráty či jiné cizorodé předměty, jež by mohly být sekačkou nechtěně odmrštěny jakýmkoli směrem a mohly tak způsobit vážné zranění obsluhy či jiných osob, anebo škody na majetku a okolních objektech. Nesekejte mokrou travu. Při efektivním sekání není vhodné sekat mokrou travu, jež má tendenci ulpívat na vnitřní straně krytu, kde zamezuje správnému sekání kousků trávy. Nesekejte více než 1/3 délky trávy. Doporučujeme sekat 1/3 výšky trávy. Rychlost je třeba přizpůsobit tak, aby se posekaná tráva rovnoměrně rozptýlila po trávníku. Při zvlášť náročném sekání husté trávy může být nutné využít co nejpomalejší rychlost, abyste dosáhli čistého a kvalitního výsledku. Při sekání dlouhé trávy bude pravděpodobně třeba sekat trávník ve dvou fázích se spuštěním nože o další 1/3 délky trávy pro druhý stříh a

zřejmě i sekání z jiného směru než v předchozí fázi. Důkladnému vysekání celé plochy trávníku rovněž napomůžete mírným překrytím pásů při každém průchodu. Sekačku je třeba používat vždy s plným plynem, čímž dosáhnete nejlepšího střihu a docílíte maximální efektivity sekání. Vyčistěte spodní stranu krytu. Po každém použití zabezpečte vyčištěnou spodní stranu krytu sekačky, abyste zamezili hromadění trávy, jež by bránila správnému mulčování. Sekání listů. Pro trávník může být prospěšné i sekání listů. Při sekání listů se ujistěte, zda je listů suché a zda na trávníku neleží v příliš silné vrstvě. Se sekáním nečekejte, až ze stromů opadá všechno listí.



VAROVÁNÍ: Jestliže narazíte na cizorodý předmět, vypněte motor. Odpojte kabel od zapalovací svíčky, sekačku důkladně prohlédněte, zda nedošlo k jejímu poškození a před opětovným spuštěním a uvedením do provozu ji nechte opravit. Přílišné vibrace sekačky za provozu jsou známkou poškození. Zařízení je třeba neprodleně prohlédnout a opravit.

7-7 SBĚRACÍ KOŠ

Na zadním krytu je umístěn průzor ke sledování stavu posekané trávy ve sběrací koši.

Jestliže se sběrací koš naplní trávou, vyprázdněte jej, vyčistěte sběrací koš a ujistěte se, zda je jeho síťovina prodyšná (obr. 27).

7-8 KRYT

Spodní stranu krytu sekačky je třeba po každém použití vyčistit, aby se zamezilo hromadění kousků trávy, listů, nečistot atd. Nahromaděná drť vyvolává korozi, narušuje povrch a může zamezit správnému mulčování. Kryt lze očistit nakloněním sekačky a oškrábáním nečistot vhodným nástrojem (ujistěte se, zda je odpojen kabel zapalovací svíčky).

7-9 POKYNY K NASTAVENÍ VÝŠKY



UPOZORNĚNÍ: Nikdy neprovádějte žádné nastavování sekačky bez předchozího vypnutí motoru a odpojení kabelu zapalovací svíčky.



UPOZORNĚNÍ: Před změnou výšky pokosu vypněte sekačku a odpojte kabel zapalovací svíčky.

Sekačka je vybavena páčkou centrálního nastavení výšky, jež nabízí celkem 8 výškových poloh.

1. Před změnou výšky pokosu vypněte sekačku a odpojte kabel zapalovací svíčky.
2. Páčka centrálního nastavení výšky nabízí 8 různých výškových poloh.

Jestliže chcete výšku pokosu změnit, stlačte nastavovací páčku směrem ke kolu a přešuněte ji nahoru nebo dolů do požadované výšky.

Všechna kola budou ve stejné výšce pokosu (obr. 28).

8. POKYNY K ÚDRŽBĚ

ZAPALOVACÍ SVÍČKA

Používejte pouze originální náhradní zapalovací svíčky. K dosažení nejlepších výsledků vyměňte zapalovací svíčku po každých 100 hodinách práce.

BRZDOVÉ DESTIČKY

V servisu si nechte pravidelně kontrolovat nebo měnit brzdové destičky motoru. K výměně lze použít pouze originální díly.

9. POKYNY K MAZÁNÍ



UPOZORNĚNÍ: PŘED PROVÁDĚNÍM ÚDRŽBY ODPOJTE ZAPALOVACÍ SVÍČKU.

1. KOLA – nejméně jednou za sezónu namažte olejem kulíčková ložiska v každém kole.
2. MOTOR – pokyny k mazání naleznete v příručce k motoru.

10. ČIŠTĚNÍ



UPOZORNĚNÍ: Na motor nestříkejte hadicí.

Voda může poškodit motor nebo znečistit palivový systém.

1. Kryt otřijte suchou tkaninou.
2. Hadicí můžete opláchnout spodní kryt po naklonění sekačky tak, aby byla zapalovací svíčka nahoře.

10-1 VZDUCHOVÝ FILTR MOTORU



UPOZORNĚNÍ: Nedovolte, aby se pěnová vložka vzduchového filtru ucpala nečistotami či prachem. Vzduchový filtr motoru je třeba vyčistit po 25 hodinách běžného provozu. Pokud sekačku používáte v suchých a prašných podmínkách, je třeba pěnovou vložku pravidelně čistit.

ČIŠTĚNÍ VZDUCHOVÉHO FILTRU

1. Zvedněte západku na krytu filtru. (Obr. 29)
2. Sejměte kryt filtru.
3. Filtrační vložku vyperte v mýdlové vodě.

NEPOUŽÍVEJTE BENZÍN!

4. Filtrační vložku vysušte.
5. Na pěnový filtr kápněte několik kapek oleje SAE30 a pevným stisknutím odstraňte všechny přebytečný olej.
6. Filtr namontujte zpět.
7. Uzavřete kryt filtru.

POZNÁMKA: Filtr vyměňte, pokud je prodřený, opotřebený, poškozený nebo pokud jej nelze vyčistit.

10-2 SEKACÍ NŮŽ



UPOZORNĚNÍ: Před prováděním prací na sekačím noži se ujistěte, zda jste odpojili a uzemnili zapalovací svíčku, abyste zamezili náhodnému spuštění motoru. Při kontaktu se sekačím nožem si chraňte ruce silnými rukavicemi nebo použijte hadr. Sekačku nakloňte

podle pokynů v samostatné příručce k motoru.

Odmontujte šroub se šestihlannou hlavou a podložku přidržující nůž s adaptérem nože na hřídeli motoru. Z hřídele sejměte nůž s adaptérem.



VAROVÁNÍ: Adaptér nože pravidelně kontrolujte, zda nemá praskliny – zvláště pokud narazíte na cizorodý předmět. V případě nutnosti jej vyměňte.

K dosažení nejlepších výsledků je zapotřebí ostrého nože. Nůž můžete po vyjmutí naostřit broušením či opilováním ostří s co nejpečnějším zachováním původního zkosení. Při broušení je mimořádně důležité odebrat z každého ostří stejné množství materiálu, abyste uchovali vyváženost nože. Nesprávně vyvážený nůž bude příliš vibrovat a může případně poškodit motor i sekačku. Po naostření zajistěte pečlivě vyvážení nože. Vyváženost nože můžete zkontrolovat nasazením na kulatý dřík šroubováku. Z těžší strany odebírejte materiál, až docílíte rovnoměrného vyvážení (**obr. 30**).

Před namontováním nože s příslušným adaptérem zpět do jednotky namažte hřídel motoru a vnitřní plochu adaptéru nože olejem. Na hřídel namontujte adaptér nože, viz **obr. 30**. Nůž umístěte číslem dílu směrem od adaptéru. Na noži vyrovnejte podložku a namontujte šroub se šestihlannou hlavou. Šroub se šestihlannou hlavou dotáhněte níže uvedeným momentem.

10-3 UTAHOVACÍ MOMENT PŘI MONTÁŽI NOŽE

Středový šroub 40–50 Nm, k zajištění bezpečného provozu zařízení. Správné dotažení VEŠKERÝCH matic a šroubů musí být pravidelně kontrolováno.

Po dlouhodobějším používání, zvláště v podmínkách s prašnou půdou, dojde k opotřebení nože a určité ztrátě původního tvaru. Omezí se efektivita sekání a nůž bude třeba vyměnit. Nůž nahraďte pouze schváleným továrním výrobkem. Výrobce nenese odpovědnost za možné škody způsobené nevyvážeností nože.

Při výměně je nutné použít originální díl s označením na noži (MAKITA 263001171). Pokud si chcete nůž objednat, obraťte se na místního prodejce nebo zavolejte do naší společnosti (viz titulní stránka).

10-4 MOTOR

Pokyny k údržbě motoru naleznete v samostatné příručce k motoru.

Výměnu motorového oleje provádějte podle pokynů v samostatné příručce k motoru dodané k sekačce. Pokyny si přečtěte a pečlivě podle nich postupujte.

Za normálních podmínek čistěte vzduchový filtr podle pokynů v samostatné příručce k motoru.

V mimořádně prašných podmínkách čistěte filtr vždy po několika hodinách. Slabý výkon a přesyrování motoru obvykle naznačují nutnost provedení údržby vzduchového filtru.

Při čištění vzduchového filtru nahlédněte do samostatné příručky k motoru přibalené k sekačce.

Jednou za sezónu je třeba vyčistit zapalovací svíčku a seřídít mezeru mezi elektrodami. Na začátku sezóny doporučujeme provést výměnu zapalovací svíčky.

Informace o správném typu svíčky a vzdálenosti elektrod naleznete v příručce k motoru.

Motor pravidelně čistěte tkaninou nebo kartáčem. Chladicí systém (oblast pláště ventilátoru) udržujte v čistotě, abyste zajistili správnou cirkulaci vzduchu, jež je nezbytná ke správnému výkonu a dlouhé životnosti motoru. Z oblasti tlumiče odstraňte všechnu trávu, nečistoty a hořlavou drť.

11. POKYNY KE SKLADOVÁNÍ (MIMO SEZÓNU)

V rámci přípravy sekačky ke skladování je zapotřebí provést následující kroky.

1. Po posledním sekání v sezóně vyprázdněte nádrž.

a) Pumpičkou odsajte benzin z nádrže.



UPOZORNĚNÍ: Benzin nevy pouštějte v uzavřených prostorách, v blízkosti otevřeného ohně atd. Nekuřte! Benzinové výpary mohou způsobit výbuch či požár.

b) Spusťte motor a nechte jej běžet, dokud nespoteřebuje všechny zbývající benzin a nezastaví se.

c) Vyšroubujte zapalovací svíčku. Do spalovací komory nalijte olejničkou přibližně 20 ml oleje. Zatažením za startér zajistěte rovnoměrné promazání spalovací komory. Zašroubujte zpět zapalovací svíčku.

2. Sekačku pečlivě očistěte a promažte podle popisu v části „POKYNY K MAZÁNÍ“.

3. K zamezení vzniku koroze ošetřete tenkou vrstvou mазiva i sekací nůž.

4. Sekačku uskladněte mimo dosah neoprávněných osob na suchém a čistém místě chráněném před mrazem.



UPOZORNĚNÍ: Před uskladněním sekačky musí motor zcela vychladnout.



POZNÁMKA:

- Při skladování jakéhokoli typu motorového zařízení v nedostatečně větraných skladovacích prostorech postupujte následovně:

- Věnujte péči ochraně zařízení proti korozi. Zařízení namažte olejem či silikonem – zvláště pak lanka a pohyblivé díly.

- Dejte pozor, abyste lanka nezohýbali a nezkroutili.

- Jestliže se lanko startéru vyvlékne z vodítka lanka na držadle, odpojte a uzemněte zapalovací svíčku, přitáhněte držadlo ovládání nože a pomalu zatahněte za startovací lanko směrem od motoru. Startovací lanko provlečte ke šroubu vodítka lanka na držadle.

Transport

Zastavte motor a nechte ho vychladnout. Poté odpojte kabel zapalovací svíčky a vyprázdněte palivovou nádrž podle pokynů v příručce k motoru. Dejte pozor, abyste při tlačení sekačky přes překážky neohnuli či jinak nepoškodili sekací nůž.

12. ODSTRAŇOVÁNÍ PROBLÉMŮ

| PROBLÉM | PRAVDĚPODOBNÁ PŘÍČINA | NÁPRAVA |
|--|---|---|
| Motor nestartuje. | Páčka plynu není vzhledem k aktuálním podmínkám ve správné poloze. | Páčku plynu přesuňte do správné polohy. |
| | Palivová nádrž je prázdná. | Naplňte nádrž palivem: viz PŘÍRUČKA K MOTORU. |
| | Znečištěná vložka vzduchového filtru. | Vyčistěte vložku vzduchového filtru: viz PŘÍRUČKA K MOTORU. |
| | Povolená zapalovací svíčka. | Zapalovací svíčku dotáhněte momentem 25–30 Nm. |
| | Kabel zapalovací svíčky je uvolněný nebo odpojený od svíčky. | Na svíčku nasadte kabel zapalovací svíčky. |
| | Nesprávná vzdálenost elektrod zapalovací svíčky. | Nastavte vzdálenost elektrod na 0,7 až 0,8 mm. |
| | Vadná zapalovací svíčka. | Namontujte novou svíčku se správně nastavenou vzdáleností elektrod: viz PŘÍRUČKA K MOTORU. |
| | Karburátor je přesycený palivem. | Vyjměte vložku vzduchového filtru, taháním za lanko startéru vyprázdněte karburátor a vložku filtru nasadte zpět. |
| | Závada modulu zapalování. | Obraťte se na zástupce servisu. |
| Startování motoru je obtíženo nebo motor ztrácí výkon. | Nečistota, voda nebo zvětralé palivo v nádrži. | Vypusťte palivo a vyčistěte nádrž. Nádrž naplňte čistým a čerstvým palivem. |
| | Ucpaný ventilační otvor ve víčku palivové nádrže. | Otvor vyčistěte nebo vyměňte víčko palivové nádrže. |
| | Znečištěná vložka vzduchového filtru. | Vyčistěte vložku vzduchového filtru. |
| Motor pracuje nepravidelně. | Vadná zapalovací svíčka. | Namontujte novou svíčku se správně nastavenou vzdáleností elektrod: viz PŘÍRUČKA K MOTORU. |
| | Nesprávná vzdálenost elektrod zapalovací svíčky. | Nastavte vzdálenost elektrod na 0,7 až 0,8 mm. |
| | Znečištěná vložka vzduchového filtru. | Vyčistěte vložku vzduchového filtru: viz PŘÍRUČKA K MOTORU. |
| Chybný volnoběh motoru. | Znečištěná vložka vzduchového filtru. | Vyčistěte vložku vzduchového filtru: viz PŘÍRUČKA K MOTORU. |
| | Ucpané vzduchové štěrby v krytu motoru. | Štěrbiny vyčistěte od nečistot. |
| | Ucpané chladicí žebra a vzduchové kanálky pod pláštěm ventilátoru motoru. | Odstraňte nečistoty z chladicích žebek a vzduchových kanálků. |
| Motor ve vysokých otáčkách vynechává. | Příliš malá mezera mezi elektrodami zapalovací svíčky. | Nastavte vzdálenost elektrod na 0,7 až 0,8 mm. |
| Motor se přehřívá. | Omezený průtok chladicího vzduchu. | Odstraňte veškeré nečistoty ze štěrbin v krytu, pláště ventilátoru a vzduchových kanálků. |
| | Nesprávná zapalovací svíčka. | Do motoru namontujte originální zapalovací svíčku a chladicí žebra. |
| Sekačka nezvykle vibruje. | Uvolněná sekací sestava. | Dotáhněte nůž. |
| | Nevyvážená sekací sestava. | Vyvažte nůž. |

13. OCHRANA ŽIVOTNÍHO PROSTŘEDÍ

Bude-li nutno zařízení po delším používání vyměnit, nevyhazujte jej do domovního odpadu, ale zajistěte jeho bezpečnou ekologickou likvidaci.

14. ES PROHLÁŠENÍ O SHODĚ

Pouze pro evropské země

Prohlášení o shodě pro ES je k tomuto návodu k použití připojeno jako Příloha A.

Explicația vederii generale

- | | | |
|---|--|---------------------------------|
| 1. Manetă de comandă frână | 9. Manetă de reglare înălțime | 17. Mâner inferior |
| 2. Mâner superior | 10. Canal de descărcare laterală | 18. Manetă de reglare viteză |
| 3. Mâner de comandă pentru acționare automată | 11. Clapetă laterală | 19. Pană de mulcire |
| 4. Manetă de șoc | 12. Punte | 20. Buton |
| 5. Manetă de pornire | 13. Bujie | 21. Capac/tijă de nivel de ulei |
| 6. Ghidaj de cablu | 14. Capac ștuț de umplere cu combustibil | 22. Limită superioară maximă |
| 7. Bolț de blocare | 15. Capac ulei | 23. Limită inferioară minimă |
| 8. Separator de iarbă | 16. Clemă de cablu | 24. Clapetă |
| | | 25. Capacul filtrului |



AVERTISMENT:

Pentru siguranța dumneavoastră, vă rugăm să citiți acest manual înainte de a încerca să utilizați noul dumneavoastră echipament. Nerespectarea instrucțiunilor poate duce la vătămări corporale grave. Aordați-vă câteva momente pentru a vă familiariza cu mașina de tuns iarba înainte fiecărei utilizări. Păstrați manualul într-un loc sigur, pentru a-l putea consulta în orice moment. Dacă îi împrumutați echipamentul unei alte persoane, înmânați-i acesteia și instrucțiunile de utilizare, și regulile de siguranță.

Domeniu de utilizare

Echipamentul se va utiliza exclusiv pentru lucrările pentru care a fost conceput. Orice altă utilizare va fi considerată o întrebuintare incorectă. Pagubele materiale sau vătămările corporale rezultate în urma utilizării incorecte vor fi considerate responsabilitatea utilizatorului/operatorului și nu a producătorului.

Mașina de tuns iarba cu motor pe benzină este destinată utilizării personale, cu alte cuvinte pentru efectuarea lucrărilor în jurul casei și în grădină.

Utilizarea în scop personal a mașinii de tuns iarba se referă la o perioadă de funcționare anuală care nu depășește, în general, 50 de ore, timp în care mașina este utilizată în principal pentru întreținerea la scară redusă a gazonului și grădinilor private/de agrement. Nu sunt incluse în această categorie spațiile verzi publice, terenurile de sport și utilizările în scop agricol/forestier. Rețineți faptul că echipamentul nostru nu este destinat utilizării în scop comercial, profesional sau industrial. Garanția va fi anulată dacă mașina este utilizată în scop comercial, profesional sau industrial ori în scopuri similare.

Instrucțiunile de utilizare, în forma furnizată de către producător, trebuie păstrate și consultate pentru a se garanta utilizarea și întreținerea corecte ale mașinii de tuns iarba. Instrucțiunile conțin informații importante privind condițiile de funcționare, întreținere și reparare. Important! Datorită riscului crescut de vătămare corporală a utilizatorului, mașina de tuns iarba nu se va utiliza pentru toaletarea tușișurilor, gardurilor vii sau a tufelor, tăierea vegetației luxuriante, a suprafețelor cultivate pe acoperișuri sau a ierbii crescute în balcoane, curățarea (aspirarea) murdăriei de pe trotuare sau pentru tăierea ori mărunțirea arborilor sau gardurilor vii. De asemenea, mașina de tuns iarba nu se va utiliza ca sapa electrică pentru nivelarea ridicăturilor de teren, de exemplu a mușuroaielor de cârtiță.

Din motive de siguranță, mașina de tuns iarba nu se va utiliza ca echipament de antrenare pentru alte unelte sau seturi de unelte de orice fel.

1. SIMBOLURI MARCATE PE PRODUS (pe capacul spate)



Citiți manualul operatorului.



Instruiți persoanele aflate în zonă să păstreze distanța.



Acordați atenție maximă mâinilor și picioarelor, pentru a evita răniurile.



Combustibilul este inflamabil, a se feri de sursele de căldură. Nu adăugați combustibil în timpul operării mașinii.



Fumuri toxice; nu operați în interior.



La tunderea ierbii, vă rugăm purtați ochelari de protecție și astupătoare de urechi pentru a vă proteja.



La efectuarea reparațiilor, vă rugăm scoateți bujiile și apoi să reparați în conformitate cu manualul operatorului.



Atenție: Motor fierbinte.

2. REGULI GENERALE DE SIGURANȚĂ



AVERTISMENT: Când folosiți mașini pe bază de benzină, trebuie respectate măsurile fundamentale de protecție, inclusiv cele prezentate în continuare, pentru a reduce riscul accidentărilor grave și/sau defectării mașinii. Citiți toate aceste instrucțiuni înainte de operarea acestui produs și păstrați-le pentru referințe viitoare.



AVERTISMENT: Această mașină produce un câmp electromagnetic în timpul operării. În anumite condiții, acest câmp poate intra în interferență cu implanturi medicale active sau pasive. Pentru a reduce riscul accidentelor grave sau fatale, recomandăm ca persoanele cu implanturi medicale să consulte medicul și producătorul implantului medical înainte a opera această mașină.

Instruire

- Citiți cu atenție instrucțiunile. Familiarizați-vă cu comenzile și cu utilizarea corectă a echipamentului. Învățați modul de oprire rapidă a motorului.
- Utilizați mașina de tuns iarba doar în scopul pentru care a fost concepută, adică pentru tăierea și colectarea ierbii. Orice altă utilizare poate fi periculoasă, cauzând defectarea mașinii. Exemplele de utilizare incorectă pot include următoarele, fără a se limita doar la acestea:
 - transport de persoane, copii sau animale pe mașină;
 - utilizarea mașinii pentru transport;
 - utilizarea mașinii pentru remorcarea sau împingerea greutăților;
 - utilizarea mașinii pentru colectarea frunzelor sau reziduurilor;
 - utilizarea mașinii pentru tunderea gardurilor vii sau pentru tăierea unor alte tipuri de vegetație decât iarbă;
 - utilizarea mașinii de mai multe persoane;
 - utilizarea lamei pe alte suprafețe decât iarbă.
- Nu permiteți niciodată copiilor sau persoanelor care sunt nefamiliarizate cu aceste instrucțiuni să utilizeze mașina de tuns iarba. Reglementările locale pot restricționa vârsta operatorului.
- Nu utilizați niciodată mașina de tuns iarba:
 - când în apropiere se află alte persoane, în special copii sau animale de companie;
 - dacă operatorul a luat medicamente sau substanțe care îi pot afecta capacitatea de reacție și concentrare.
- Amintiți-vă că utilizatorul este responsabil de accidentele sau situațiile neprevăzute antrenate de utilizarea mainii, cauzate altor persoane sau bunurilor acestora.
- Este obligatoriu ca operatorii să fie corect instruiți cu privire la utilizarea, reglarea și funcționarea mașinii, inclusiv la operațiunile interzise.

Pregătirea

- În timpul folosirii mainii, purtați întotdeauna o încălțăminte corespunzătoare (solidă) i pantaloni lungi. Nu folosiți maina cu picioarele goale sau cu sandale.
- Verificați cu atenție zona în care va fi utilizată mașina și îndepărtați toate obiectele care pot fi expulzate de mașină, de exemplu pietre, jucării, bețe și cabluri.
- **AVERTISMENT:** Benzina este extrem de inflamabilă.
 - depozitați combustibilul în containere special concepute în acest scop;
 - efectuați reumplerea cu combustibil doar în exterior și nu fumați în timpul reumplerii;
 - adăugați combustibil înaintea de pornirea motorului. Nu scoateți niciodată capacul rezervorului de combustibil și nu adăugați benzină în timp ce motorul este pornit sau este cald;
 - dacă benzina este vărsată, nu încercați să porniți motorul și mutați mașina la distanță de zona respectivă, evitând crearea oricăror surse de aprindere până când vaporii de benzină s-au disipat;
 - remontați în mod corect toate capacele containerelor și rezervorului de combustibil.
- Înlocuiți amortizoarele defecte.
- Înainte de utilizare, inspecțiți întotdeauna vizual pentru a verifica dacă lamele, șuruburile de lamă sau ansamblul de cuțite nu sunt uzate sau deteriorate. Înlocuiți toate lamele și șuruburile deteriorate sau uzate pentru a menține echilibrarea mașinii.
- Verificați periodic buna funcționare a tuturor dispozitivelor de blocare a pornirii și a manetelor și butoanelor.

Operare

- Nu operați motorul într-un spațiu închis în care pot fi colectate fumuri periculoase de oxid de carbon.
- Nu utilizați mașina dacă sunteți obosit(ă), bolnav(ă) sau dacă vă aflați sub influența alcoolului sau medicamentelor.
- **Avertisment!** Nu utilizați mașina de tuns iarba în zone cu pericol de aprindere.
- Se recomandă scurtarea duratei de utilizare, pentru reducerea la minimum a pericolelor datorate zgomotului și vibrațiilor.
- Procedați cu grijă atunci când utilizați mașina pe teren înclinat și în apropierea pantelor descendente excesiv de abrupte, șanțurilor sau digurilor.
- Operați mașina doar la lumina zilei sau la o lumină artificială puternică.
- Evitați operarea echipamentului pe iarbă udă, dacă acest lucru este posibil.
- Acordați atenție atunci când vă deplasați pe suprafețe înclinate.
- Nu alergați.
- Pentru mașini rotative cu roți, tundeți iarba de-a lungul pantei, niciodată în sus sau în jos.
- Acordați atenție maximă atunci când schimbați direcția pe suprafețele înclinate.
- Nu tundeți iarba pe o pantă excesiv de abruptă.
- Acordați o atenție maximă atunci când întoarceți sau trageți mașina de tuns iarba spre dumneavoastră.
- Fixați bine lama(ele) dacă mașina de tuns iarba trebuie înclinată pentru transport, atunci când treceți cu mașina de tuns iarba peste suprafețe fără iarbă, sau atunci când transportați mașina de tuns iarba la sau de la locul de tuns iarba.

- Nu operați niciodată mașina de tuns iarba cu protecțiile defecte, sau fără dispozitivele de siguranță, cum ar fi deflectoarele și/sau separatorul de iarbă.
- Atenție: Este interzisă utilizarea mașinii de tuns iarba fără întregul ansamblu al colectorului de iarbă sau fără protecția orificiului de evacuare cu închidere automată.
- Nu modificați setările regulatorului de motor și nu suprațurați motorul.
- Nu modificați piesele etanșe pentru controlul turației motorului.
- Este interzisă modificarea sau dezactivarea sistemelor sau funcțiilor de siguranță ale mașinii de tuns iarba.
- Decuplați toate lamele și ambreiajele de acționare înainte de a porni motorul.
- Porniți motorul cu atenție conform instrucțiunilor, cu picioarele la distanță de lamă(e).
- Nu înclinați mașina de tuns iarba la pornirea motorului.
- Nu porniți motorul când vă aflați în fața jgheabului de descărcare.
- Nu apropiați mâinile sau picioarele de componentele rotative. Păstrați permanent distanța față de orificiul de descărcare.
- Nu ridicați și nu transportați mașina de tuns iarba cu motorul în funcțiune.
- Opriti motorul și deconectați conductorul bujiei, asigurați-vă că toate componentele mobile s-au oprit complet și, dacă este prevăzută o cheie, scoateți cheia:
 - înainte de a elimina blocajele sau a desfunda jgheabul;
 - înainte de a controla, curăța sau lucra cu mașina de tuns iarba;
 - după ce ați lovit un obiect străin. Verificați eventualele daune și efectuați reparațiile necesare, înainte de a repune în funcțiune și opera mașina de tuns iarba;
 - dacă mașina de tuns iarba începe să vibreze în mod anormal (verificați imediat).
- Opriti motorul și deconectați conductorul bujiei, asigurați-vă că toate componentele mobile s-au oprit complet și, dacă este prevăzută o cheie, scoateți cheia:
 - de fiecare dată când o lăsați nesupravegheată;
 - înaintea realimentării.
- Reduceți setarea de accelerație în timpul opririi motorului și, dacă motorul este prevăzută o cu supapă de închidere, opriti alimentarea cu combustibil la finalizarea operațiunii de tunderă a ierbii.
- Utilizați mașina de tuns iarba doar în scopul pentru care a fost concepută, pentru tăierea și colectarea ierbii. Orice altă utilizare poate fi periculoasă, cauzând defectarea mașinii.
- Controlați frecvent ca separatorul de iarbă să nu fie deteriorat sau uzat.
- Pentru siguranță, înlocuiți componentele defecte sau uzate.
- Dacă rezervorul de combustibil trebuie golit, acest lucru trebuie efectuat în exterior.
- Întreținerea incorectă, utilizarea de piese de schimb necorespunzătoare sau demontarea ori modificarea componentelor de siguranță poate cauza defectarea mașinii și vătămarea corporală gravă a operatorului.
- Utilizați exclusiv lamele și piesele de schimb recomandate de producător. Utilizarea altor piese decât cele originale poate duce la defectarea mașinii și vătămarea operatorilor. Păstrați mașina de tuns iarba în bună stare de funcționare.
- Dacă dispozitivul de oprire a cuțitului nu funcționează, adresați-vă centrului de service.

Transportarea și manipularea

- De fiecare dată când mașina va fi manipulată, ridicată, transportată sau înclinată trebuie:
 - să purtați mănuși de lucru solide;
 - să apucați mașina de punctele care oferă o prindere sigură, ținând cont de greutate și distribuția greutății.
 - să utilizați un număr de persoane adecvat pentru greutatea mașinii și caracteristicile vehiculului sau locului pe care mașina va fi amplasată sau de pe care va fi colectată.
- În timpul transportului, fixați mașina în siguranță cu frângerii și lanțuri.



AVERTISMENT: Nu atingeți lama rotativă.



AVERTISMENT: Realimentați într-o zonă bine aerisită, cu motorul oprit.

3. DESCRIEREA COMPONENTELOR (Fig. 1)

Include

A: Cheie pentru bujie

4. DATE TEHNICE

| | |
|-------------------------------|------------------------------|
| Model | PLM5600N2 |
| Tip motor | Seria B&S 675EXi, ReadyStart |
| Autopropulsat | Da |
| Capacitate cilindrică motor | 163 cm ³ |
| Putere nominală | 2,6 kW |
| Lățimea pânzei | 560 mm |
| Turație nominală | 2.800/min |
| Capacitate rezervor carburant | 1,0 L |
| Capacitate rezervor ulei | 0,47 L |
| Capacitate separator de iarbă | 70 L |
| Greutate netă | 37,2 kg |
| Reglare înălțime | 25 - 70 mm, 8 poziții |

Întreținerea și depozitarea

- Mențineți șuruburile strânse, ca și piulițele, pentru a fi siguri că mașina este în condiții bune de funcționare.
- Nu depozitați niciodată echipamentul cu benzină în rezervor în clădiri în care fumul pot ajunge la o scânteie sau flacără deschisă.
- Lăsați motorul să se răcească înainte de a depozita mașina într-un spațiu închis; Curățați mașina și efectuați lucrările de întreținere înainte de a o depozita.
- Pentru a reduce pericolul de incendii, feriți motorul, amortizorul, compartimentul bateriei și zona de depozitare a benzinei de reziduuri, frunze sau unsoare excesivă.

| Model | PLM5600N2 |
|---|---|
| Nivel garantat de presiune acustică la poziția operatorului (conform EN ISO 5395-1 anexa F și EN ISO 5395-2, EN ISO 4871) | 88,5 dB (A) (K=3 dB (A)) |
| Nivel de putere acustică măsurată | 96,3 dB (A) K=1,86 dB (A) |
| Nivel de putere acustică garantată (conform 2000/14/CE) | 98 dB (A) |
| Vibrații (conform EN ISO 5395-1 anexa G și EN ISO 5395-2) | 7,90 m/s ² K=1,5 m/s ² |

5. ASAMBLARE

5-1 ASAMBLAREA MÂNERULUI PLIABIL

1. Fixați bara de manevrare inferioară pe suportul mânerului cu șurubul, șaiba și bolțul de blocare, în modul indicat. (Fig. 2, Fig. 3)
2. Conectați mânerul superior și mânerul inferior cu bolțul de blocare. (Fig. 4, Fig. 5)
3. Poziționați cablul în jurul orificiului din mijlocul axului mânerului inferior. Fixați-l de clema de cablu astfel încât cablul să fie fixat în jurul exteriorului mânerului. (Fig. 6) În caz contrar, cablul poate fi prins în deschiderea/închiderea capacului din spate.

5-2 REGLARE PENTRU O ÎNĂLȚIME CORESPUNZĂTOARE A MÂNERULUI

- 1) Deșurubați bolțul de blocare cu care ați fixat mânerul inferior.
- 2) Mutați mânerul inferior în sus sau jos, reglați-l la înălțimea corespunzătoare. Există 3 înălțimi de reglare care pot fi alese pentru acest tip de mașină de tuns iarba, la poziția de înălțime 1, mânerul inferior are poziția cea mai ridicată față de sol; la poziția de înălțime 3 - mânerul inferior are poziția cea mai joasă față de sol. (Fig. 7)
- 3) După reglarea mânerului inferior la înălțimea corespunzătoare, fixați-l cu bolțul de blocare. (Fig. 8)

5-3 MONTAREA ȘI DEMONTAREA SEPARATORULUI DE IARBĂ

1. Pentru montare: Ridicați capacul posterior și cuplați separatorul de iarbă în partea din spate a mașinii. (Fig. 9, Fig. 10)
2. Pentru demontare: Prindeți și ridicați capacul posterior, scoateți separatorul de iarbă.

5-4 MANETĂ DE PORNIRE

Mutați maneta de pornire de la motor spre ghidajul de cablu. (Fig. 11)

5-5 ÎNĂLȚIME DE TĂIERE

Aplicați o presiune externă pentru a decupla maneta de la rack. Mutați maneta înainte sau înapoi pentru a regla înălțimea. (Fig. 12 și consultați clauza 7-9)

6. FUNCȚIE

Aceste mașini de tuns iarba pot fi adaptate pentru alte funcții pe lângă funcția lor normală, pe baza scopului de aplicare:

De la mașină de tuns iarba cu colectare în partea din spate la:

1. Mașină de tuns iarba pentru mulcire sau ca
2. Mașină de tuns iarba cu descărcare laterală.

Ce înseamnă mulcire?

La mulcire, iarba este tăiată într-o etapă de lucru, apoi este mărunțită și returnată pe gazonul de iarbă ca fertilizator natural.

Indicații pentru mulcire:

- Retezare normală la max. 2 cm, de la o înălțime a ierbii de 6 cm la 4 cm.
- Utilizați un cuțit de tăiere ascuțit.
- Nu tundeți iarbă udă.
- Fixați turația maximă a motorului.
- Deplasați-vă doar în spațiul de lucru.
- Curățați în mod regulat pana de mulcire, partea interioară a carcasei și lama de tăiere.

Operație de pornire

6-1 Adaptare pentru mașină de tuns iarba pentru mulcire



AVERTISMENT: Numai cu motorul și cuțitul oprite.

1. Ridicați capacul posterior și scoateți separatorul de iarbă.
2. Apăsăți pana de mulcire în punte. Blocați pana de mulcire cu butonul în deschiderea punții. (Fig. 13, Fig. 14)
3. Coborâți din nou capacul posterior. (Fig. 15)
4. Ridicați clapeta laterală și scoateți canalul de descărcare laterală.

6-2 Resetare pentru tunderea ierbii cu descărcare laterală



Numai atunci când motorul și cuțitul sunt oprite!

1. Ridicați capacul posterior și scoateți separatorul de iarbă.
2. Apăsăți pana de mulcire în punte. Blocați pana de mulcire cu butonul în deschiderea punții.
3. Ridicați clapeta laterală pentru descărcarea laterală. (Fig. 16)
4. Montați canalul de descărcare laterală pentru descărcare laterală pe știftul de susținere al clapetelor laterale. (Fig. 17)
5. Coborâți clapeta laterală - clapeta se poziționează pe canalul de descărcare laterală. (Fig. 18)

6-3 Tunderea ierbii cu separator de iarbă



AVERTISMENT: Numai atunci când motorul și cuțitul sunt oprite.

Pentru tunderea ierbii cu separatorul de iarbă, demontați pana de mulcire și canalul de descărcare laterală pentru descărcare laterală și montați separatorul de iarbă.

1. Demontarea penei de mulcire.
 - Ridicați capacul posterior și demontați pana de mulcire.
2. Demontarea deflectorului pentru evacuare laterală.
 - Ridicați clapeta laterală și scoateți deflectorul pentru evacuare laterală.
 - Clapeta laterală închide automat orificiul de evacuare de pe carcasă prin intermediul forței unui arc.
 - Curățați periodic clapeta laterală și orificiul de evacuare de resturile de iarbă și reziduurile blocate.
3. Montarea separatorului de iarbă.
 - Ridicați capacul posterior și cuplați separatorul de iarbă în partea din spate a mașinii.

7. INSTRUCȚIUNI DE UTILIZARE

7-1 ÎNAINTEA PORNIRII

Efectuați întreținerea motorului cu benzină și ulei conform instrucțiunilor din manualul de motor separat furnizat cu mașina dumneavoastră de tuns iarba. Citiți cu atenție instrucțiunile. (Fig. 19, Fig. 20, Fig. 21)



AVERTISMENT: Benzina este extrem de inflamabilă.

Depozitați combustibilul în recipiente special destinate acestui scop.

Realimentați doar în exterior, înainte de a porni motorul și nu fumați în timpul realimentării sau manipulării combustibilului.

Nu scoateți niciodată capacul rezervorului de combustibil și nu adăugați benzină în timp ce motorul este pornit sau este cald.

Dacă benzina se varsă, nu încercați să porniți motorul, ci îndepărtați mașina de zona în care a avut loc curgerea și evitați crearea oricărei surse de aprindere până la disiparea vaporilor de benzină.

Remontați corect toate capacele de recipiente, precum și capacul rezervorului de combustibil.

Înainte de a înclina mașina de tuns iarba pentru întreținerea lamei sau evacuarea uleiului, eliminați combustibilul din rezervor.



AVERTISMENT: Nu alimentați niciodată cu combustibil în interior, cu motorul pornit sau fără a lăsa motorul să se răcească timp de cel puțin 15 minute după operare.

7-2 PENTRU A PORNII MOTORUL ȘI A CUPLA LAMA

1. Unitatea este prevăzută cu un manșon din cauciuc peste capătul bujei, asigurați-vă că bucla metalică de pe capătul conductorului bujei (din interiorul manșonului din cauciuc) este fixată ferm peste vârful de metal al bujei.
2. Când porniți motorul cald sau rece, aduceți clapeta de aer în oricare poziție între "☁" și "☁". În timpul funcționării, aduceți clapeta de aer în poziția "☁". (Fig. 22)

3. Stând în spatele mașinii, apucați maneta de comandă frână și mențineți poziția acesteia pe mânerul superior, conform Fig. 23.
4. Trageți maneta de pornire în modul indicat Fig. 23 și trageți rapid în sus. Reduceți-l ușor pe bolțul ghidaajului de cablul după pornirea motorului.

Eliberați maneta de comandă frână pentru a opri motorul și lama.



Porniți motorul cu atenție conform instrucțiunilor, cu picioarele la distanță de lamă.



Nu înclinați mașina de tuns iarba la pornirea motorului. Porniți mașina de tuns iarba pe o suprafață plană, fără iarbă înaltă sau obstacole. Țineți mâinile și picioarele la distanță de componentele care se rotesc. Nu porniți motorul când vă aflați în fața orificiului de descărcare.



7-3 PROCEDURI DE UTILIZARE

În timpul operării, țineți strâns maneta de frână cu ambele mâini.



Notă: În timpul operării, când maneta de frână este eliberată, motorul se va opri, oprindu-se astfel și operarea mașinii de tuns iarba.



AVERTISMENT: Pentru a se evita pornirea accidentală a mașinii, aceasta este prevăzută cu o frână de motor care trebuie trasă spre înapoi înainte de a porni motorul. După ce este eliberată, maneta de control al motorului trebuie să revină în poziția inițială, moment în care motorul se oprește automat.



Notă: Frâna de motor (maneta de frână): Acționați maneta pentru a opri motorul. În momentul eliberării manetei, motorul și cuțitul se opresc automat. Pentru a efectua operațiunea de tăiere a ierbii, țineți maneta în poziția de lucru. Înainte de a începe operațiunea de tăiere, verificați de câteva ori maneta de pornire/oprire pentru a vă asigura că aceasta funcționează corect. Verificați funcționarea cu ușurință a cablului de întindere (acesta nu trebuie să se prindă sau să se răsucescă).

7-4 PENTRU A OPRI MOTORUL



ATENȚIE: Lama continuă să se rotească timp de câteva secunde după oprirea motorului.

1. Eliberați maneta de comandă frână pentru a opri motorul și lama. (Fig. 24)
2. Deconectați și legați la masă conductorul bujei conform instrucțiunilor din manualul separat al motorului pentru a preveni pornirea accidentală în timp ce motorul este nesupravegheat.

7-5 CONEXIUNE PENTRU MIȘCARE AUTOMATĂ

Mașina este prevăzută cu un sistem de reglare a vitezei, care poate regla 3 viteze, de la 3,0 km/h la 4,5 km/h. Poziția "☞": cea mai lentă poziție; Poziția "☜☞": cea mai rapidă poziție. (Fig. 25)

Procedați în modul următor:

1. Eliberați mânerul de comandă pentru acționare automată până când mașina de tuns iarba nu mai înaintează.
2. Reglați viteza dorită.
3. Prindeți mânerul de comandă pentru acționare automată pentru a continua operația de tundere a ierbii. (Fig. 26)



ATENȚIE: Mașina dumneavoastră de tuns iarba este concepută pentru a tăia iarba rezidențială obișnuită, nu mai înaltă de 250 mm. Nu încercați să tundeți iarba uscată foarte înaltă sau iarba umedă (de exemplu, pășune), sau grămezi de frunze uscate. Reziduurile se pot acumula pe puntea mașinii sau pot intra în contact cu țeava de eșapament a motorului, apărând pericolul incendiilor.

7-6 PENTRU OBTINEREA UNOR REZULTATE CÂT MAI BUNE LA TUNDEREA IERBII

Eliberați gazonul de reziduuri. Asigurați-vă că gazonul este liber de pietre, bețe, sârme sau alte obiecte străine care pot fi proiectate accidental de mașina de tuns iarba în orice direcție provocând răni operatorului și altor persoane din apropiere, precum și aducând daune proprietății și obiectelor din jur. Nu tăiați iarba udă. Pentru o tundere a ierbii cât mai eficientă, nu tăiați iarba udă, deoarece aceasta are tendința de a se lipi de partea inferioară a punții, împiedicând tunderea corectă a ierbii tăiate. Tăiați iarba pe cel mult 1/3 din lungime. Tăierea recomandată pentru tundere este de 1/3 din lungimea ierbii. Viteza de deplasare va trebui reglată astfel încât bucățile de iarba tăiată să poate fi distribuite uniform pe gazon. În special pentru tăieri dificile în iarba deasă, poate fi necesară utilizarea celei mai reduse turații, pentru a obține o tundere corectă și curată. La tunderea ierbii înalte este posibil să fie necesară tunderea peluzei în două ture, coborând lama cu încă 1/3 din lungime pentru cea de-a doua tăiere, precum și tăierea cu un model diferit de cel utilizat la prima tăiere. Suprapunerea unei tăieri cu fiecare trecere va ajuta, de asemenea, la curățarea oricăror bucăți de iarba rămasă pe gazon. Mașina de tuns iarba trebuie întotdeauna operată la accelerație maximă pentru a obține cea mai bună tăiere și pentru a permite o operație de tundere cât mai eficientă. Curățați partea inferioară a punții. Asigurați-vă că ați curățat partea inferioară a punții după fiecare utilizarea pentru a evita acumularea ierbii, care ar putea împiedica o mulcire corespunzătoare. Tunderea frunzelor. Tunderea frunzelor poate fi, de asemenea, benefică pentru gazonul dumneavoastră. La tunderea frunzelor, asigurați-vă că acestea sunt uscate și nu formează un strat prea gros pe gazon. Nu așteptați căderea tuturor frunzelor din copaci înainte de tundere.



AVERTISMENT: Dacă loviți un obiect străin, opriți motorul. Deconectați conductorul de la bujie, inspectați cu atenție mașina de tuns iarba pentru a identifica eventuale defecțiuni și remediați defecțiunea înainte de a reporni și opera mașina de tuns iarba. Vibrațiile excesive ale mașinii de tuns iarba în timpul operării indică un defect. Unitatea trebuie inspectată și reparată prompt.

7-7 SEPARATOR DE IARBĂ

Pe capacul din spate se află un geam transparent prin care puteți vedea starea ierbii în separatorul de iarba. Dacă separatorul este plin cu iarba; va trebui să goliți și să curățați separatorul de iarba, asigurați-vă că este curat și că înfletitura acestuia este ventilată. (Fig. 27)

7-8 PUNTE

Partea inferioară a punții mașinii de tuns iarba trebuie curățată după fiecare utilizare pentru a preveni acumularea bucăților de iarba tăiată, a frunzelor, mizeriei și altor materii. Dacă aceste reziduuri sunt lăsate să se acumuleze, pot rezulta ruginirea și corozivitatea, împiedicând mulcirea corectă. Puntea trebuie curățată prin înclinarea mașinii de tuns iarba și curățarea prin răzuire cu un instrument adecvat (asigurați-vă că ați deconectat conductorul bujiei).

7-9 INSTRUCȚIUNI DE REGLARE A ÎNĂLȚIMII



ATENȚIE: Nu încercați niciodată să efectuați reglaje ale mașinii de tuns iarba fără a opri mai întâi motorul și a deconecta conductorul bujiei.



ATENȚIE: Înainte de a modifica înălțimea de tuns iarba, opriți mașina de tuns iarba și deconectați bujia.

Mașina de tuns iarba este prevăzută cu o manetă centrală de reglare a înălțimii care oferă 8 poziții de înălțime.

1. Opriți mașina de tuns iarba și deconectați cablul bujiei înainte de a modifica înălțimea de tăiere a mașinii.
2. Maneta centrală de reglare a înălțimii vă oferă 8 poziții diferite de înălțime.

Pentru a modifica înălțimea de tăiere, strângeți maneta de reglare spre roată, mutând în sus sau în jos la înălțimea selectată.

Toate roțile vor fi la aceeași înălțime de tăiere. (Fig. 28)

8. INSTRUCȚIUNI DE ÎNTREȚINERE

BUJIE

Utilizați doar o bujie de schimb originală. Pentru cele mai bune rezultate, înlocuiți bujia la fiecare 100 de ore de utilizare.

PLĂCUȚELE DE FRÂNĂ

Verificați și/sau înlocuiți periodic plăcuțele de frână la un atelier de service și utilizați numai piese de schimb originale.

9. INSTRUCȚIUNI DE LUBRIFIERE



ATENȚIE: DECONECTAȚI BUJIA ÎNAINTE DE EFECTUAREA SERVICE-ULUI.

1. ROȚI - Lubrifiați rulmenții din fiecare roată cel puțin o dată pe sezon, cu ulei ușor.
2. MOTOR - Consultați manualul motorului pentru instrucțiuni de lubrifiere.

10. CURĂȚAREA



ATENȚIE: Nu stropiți cu apă motorul. Apa poate duce la defectarea motorului sau poate contamina sistemul de combustibil.

1. Ștergeți puntea cu o cârpă uscată.
2. Stropiți cu apă partea de sub punte ridicând mașina de tuns iarba astfel încât bujia să fie sus.

10-1 FILTRU DE AER MOTOR



ATENȚIE: Nu permiteți acumularea mizerii sau prafului în elementul de spumă al filtrului de aer. Elementul filtrului de aer al motorului trebuie curățat după fiecare 25 de ore de operare normală. Elementul de spumă trebuie întreținut în mod regulat dacă mașina de tuns iarba este folosită în condiții uscate, cu mult praf.

PENTRU A CURĂȚA FILTRUL DE AER

1. Ridicați clapeta de pe capacul filtrului. (Fig. 29)
2. Scoateți capacul filtrului.
3. Spălați elementul de filtru în apă cu săpun. **NU FOLOSIȚI BENZINĂ!**
4. Lăsați elementul de filtru să se usuce la aer.
5. Aplicați câteva picături de ulei SAE30 pe filtrul cu spumă și strângeți ferm pentru a elimina uleiul în exces.
6. Remontați filtrul.
7. Închideți capacul filtrului.

NOTĂ: Înlocuiți filtrul dacă acesta este uzat, rupt, deteriorat sau nu mai poate fi curățat.

10-2 LAMA DE TĂIERE



ATENȚIE: Asigurați-vă că deconectați și legați la masă conductorul bujiei înainte de a lucra pe lama de tăiere, pentru a preveni pornirea accidentală a motorului. Protejați-vă mâinile cu mănuși groase sau cu o cârpă atunci când apucați lamele de tăiere. Înclinați mașina de tuns iarba în modul specificat în manualul separat al motorului. Demontați șurubul hexagonal și șaiba care fixează lama și adaptorul de lamă pe arborele cotit al motorului. Demontați lama și adaptorul de pe arborele cotit.



AVERTISMENT: Inspectați periodic adaptorul de lamă pentru identificarea eventualelor fisuri, în special dacă ați lovit un obiect străin. Înlocuiți dacă este necesar.

Pentru cele mai bune rezultate, lama trebuie să fie ascuțită. Lama trebuie ascuțită din nou, prin demontarea ei și fie prin șlefuire, fie prin pilire a marginii de tăiere, încercând să păstrați oblicitatea originală. Este extrem de important ca fiecare margine de tăiere să fie șlefuită în mod egal pentru a evita o lamă dezechilibrată. O lamă neechilibrată va duce la vibrații excesive, cauzând defectarea motorului și a mașinii de tuns iarba. Asigurați-vă că echilibrați cu atenție lama după ascuțire. Echilibrul lamei poate fi testat prin echilibrarea balansarea acesteia pe o șurubelniță de arbore rotundă. Șlefuiți partea mai grea până la o balansare perfectă. (Fig. 30)

Înainte de reasamblarea lamei și a adaptorului de lamă pe unitate, lubrifiați arborele cotit al motorului și suprafața interioară a adaptorului de lamă cu ulei ușor. Montați adaptorul de lamă pe arborele cotit. Consultați Fig. 30. Amplasați lama cu numărul de piesă în partea opusă adaptorului. Aliniați șaiba peste lamă și introduceți șurubul hexagonal. Strângeți șurubul hexagonal la cuplul listat mai jos.

10-3 CUPLU DE MONTARE LAMĂ

Șurub central 40 Nm - 50 Nm, pentru a garanta operarea în siguranță a unității dumneavoastră. TOATE piulițele și șuruburile trebuie verificate periodic pentru a fi strânse corect.

După o utilizare prelungită, în special în condiții de sol nisipos, lama se va uza și își va pierde din forma originală. Eficiența tăierii se va reduce, iar lama va trebui înlocuită. Înlocuiți doar cu o lamă de schimb aprobată de producător. Posibilele daune rezultate din neechilibrarea lamei nu intră în responsabilitatea producătorului. Când schimbați lama, trebuie să utilizați tipul original marcat pe lamă (MAKITA 263001171) (pentru a comanda lama, vă rugăm să contactați distribuitorul local sau societatea noastră, consultați coperta).

10-4 MOTOR

Consultați manualul separat al motorului pentru instrucțiuni de întreținere a motorului.

Întrețineți uleiul de motor conform instrucțiunilor din manualul separat al motorului, furnizat împreună cu unitatea dumneavoastră. Citiți cu atenție și respectați instrucțiunile.

Întrețineți filtrul de aer conform manualului separat al motorului, în condiții de utilizare normală.

Curățați la fiecare câteva ore în condiții cu foarte mult praf. O performanță slabă a motorului și înecarea acestuia indică, de obicei, faptul că trebuie efectuată întreținerea filtrului de aer.

Pentru întreținerea filtrului de aer, consultați manualul separat al motorului furnizat împreună cu unitatea dumneavoastră.

Bujia trebuie curățată, iar distanța dintre electrozi trebuie resetată o dată pe sezon. Se recomandă înlocuirea bujiei la începerea fiecărui sezon de tundere a ierbii; verificați manualul motorului pentru tipul corect de bujie și specificații privind distanța corectă între electrozi.

Curățați motorul în mod regulat cu o cârpă sau perie. Păstrați sistemul de răcire (zona carcasei ventilatorului) curat pentru a permite o circulare adecvată a aerului, aceasta fiind esențială pentru operarea și durata de viață a motorului. Asigurați-vă că îndepărtați iarba, mizeria și reziduurile de combustibil din zona tobei de eșapament.

11. INSTRUCȚIUNI DE DEPOZITARE (ÎN AFARA SEZONULUI)

Pentru a pregăti mașina de tuns iarba pentru depozitare urmații pași de mai jos.

- Goliți rezervorul după ultima tundere a ierbi din sezonul respectiv.
 - Goliți rezervorul de combustibil cu o pompă de aspirație.

ATENȚIE: Nu goliți benzina în încăperi închise, în apropierea unei flăcări deschise etc. Nu fumați! Vaporii de benzină pot cauza explozii sau incendii.

- Porniți motorul și lăsați-l să funcționeze până la consumarea întregii cantități de benzină rămase și până la blocare.
 - Demontați bujia. Utilizați un bidon de ulei pentru a turna aprox. 20 ml de ulei în camera de combustie. Acționați demarorul pentru a distribui uniform uleiul în camera de combustie. Remontați bujia.
- Curățați și ungeți cu atenție mașina de tuns iarba conform descrierii din secțiunea "INSTRUCȚIUNI DE LUBRIFIERE" de mai sus.
 - Ungeți ușor cuțitul pentru a evita coroziunea.
 - Depozitați mașina de tuns iarba într-un loc uscat, curat, protejat împotriva înghețului, ferit de accesul persoanelor neautorizate.



ATENȚIE: Motorul trebuie să se fi răcit complet înainte de depozitarea mașinii de tuns iarba.



NOTĂ:

- La depozitarea oricărui tip de echipament de alimentare într-o zonă de depozitare a materialelor sau o zonă neventilată.
- Se va asigura protecția echipamentului împotriva coroziunii. Utilizând un ulei ușor sau silicon, acoperiți cu un strat echipamentul, în special cablurile și toate părțile mobile.
- Acordați atenție pentru a nu îndoi sau strivi cablurile.
- În cazul în care cablul demarorului se deconectează de la ghidajul de cablu de pe mâner, deconectați și legați la masă conductorul bujiei, apăsați maneta de comandă frână și trageți încet cablul demarorului din motor. Introduceți cablul demarorului în bolțul de ghidare cablu de pe mâner.

Transport

Oprii motorul și lăsați-l să se răcească. Scoateți fișa bujiei și goliți rezervorul de combustibil conform instrucțiunilor din manualul aferent motorului. Aveți grijă să nu îndoiți și să nu deteriorați cuțitul atunci când treceți mașina de tuns iarba peste obstacole.

12. DEPANARE

| PROBLEMĂ | CAUZĂ PROBABILĂ | AȚIUNE CORECTIVĂ |
|--|--|---|
| Motorul nu pornește. | Maneta de șoc a accelerației nu se află în poziția corectă pentru condițiile date. | Mutați maneta de șoc a accelerației în poziția corectă. |
| | Rezervorul de combustibil este gol. | Umpleți rezervorul cu combustibil: consultați MANUALUL PROPRIETARULUI MOTORULUI. |
| | Elementul filtrului de aer este murdar. | Curățați elementul filtrului de aer: consultați MANUALUL PROPRIETARULUI MOTORULUI. |
| | Bujie desprinsă. | Strângeți bujia la un cuplu de 25-30 Nm. |
| | Conductor al bujiei desprins sau deconectat de la bujie. | Montați conductorul bujiei pe bujie. |
| | Distanța între electrozii bujiei este incorectă. | Stabiliți spațiul între electrozii la 0,7 - 0,8 mm. |
| | Bujia este defectă. | Montați o bujie nouă, cu o distanță corectă între electrozii: consultați MANUALUL PROPRIETARULUI MOTORULUI. |
| | Carburatorul este inundat cu combustibil. | Demontați elementul filtrului de aer și trageți cablul demarorului în mod continuu până când carburatorul se curăță, iar apoi montați elementul filtrului de aer. |
| Modul de aprindere defect. | Contactați agentul de service. | |
| Motor dificil de pornit sau motorul pierde putere. | Murdărie sau apă în rezervor sau rezervor de combustibil gol. | Goliți combustibilul și curățați rezervorul. Umpleți rezervorul cu combustibil curat, proaspăt. |
| | Orificiul de aerisire din capacul rezervorului de combustibil este înfundat. | Curățați sau înlocuiți capacul rezervorului de combustibil. |
| | Elementul filtrului de aer este murdar. | Curățați elementul filtrului de aer. |

| PROBLEMĂ | CAUZĂ PROBABILĂ | ACȚIUNE CORECTIVĂ |
|---|--|---|
| Motorul funcționează neregulat. | Bujia este defectă. | Montați o bujie nouă, cu o distanță corectă între electrozii: consultați MANUALUL PROPRIETARULUI MOTORULUI. |
| | Distanța între electrozii bujiei este incorectă. | Stabiliți spațiul între electrozii la 0,7 - 0,8 mm. |
| | Elementul filtrului de aer este murdar. | Curățați elementul filtrului de aer: consultați MANUALUL PROPRIETARULUI MOTORULUI. |
| Turație de ralanti motor defectuoasă. | Elementul filtrului de aer este murdar. | Curățați elementul filtrului de aer: consultați MANUALUL PROPRIETARULUI MOTORULUI. |
| | Fantele de aer din mantaua de protecție a motorului sunt blocate. | Eliminați reziduurile din fante. |
| | Aripișoarele de răcire și căile de aer de sub carcasa ventilatorului motorului sunt blocate. | Eliminați reziduurile din aripișoarele de răcire și căile de aer. |
| Înteruperi ale motorului la turații mari. | Spațiul dintre electrozii bujiei este prea mic. | Stabiliți spațiul între electrozii la 0,7 - 0,8 mm. |
| Motorul se supraîncălzește. | Fluxul de aer de răcire este obstrucționat. | Eliminați reziduurile din fantele aflate în mantaua de protecție, carcasa ventilatorului, căile de aer. |
| | Bujie incorectă. | Montați aripișoarele de răcire și bujia originală pe motor. |
| Mașina de tuns iarba vibrează anormal. | Ansamblul de tăiere nu este fixat ferm. | Strângeți lama. |
| | Ansamblul de tăiere este dezechilibrat. | Echilibrați lama. |

13. MEDIU

În cazul în care mașina dumneavoastră trebuie înlocuită după o lungă perioadă de utilizare, nu o depuneți la gunoiul menajer și respectați normele de protecție a mediului la depunerea acesteia la deșeurii.

14. DECLARAȚIE DE CONFORMITATE CE

Doar pentru țările europene

Declarația de conformitate CE este inclusă ca Anexa A la prezentul manual de instrucțiuni.

Пояснения к общему виду

- | | | |
|----------------------------------|--------------------------------|--------------------------------|
| 1. Рукоятка управления тормозом | 9. Рычаг регулировки высоты | 18. Рычаг регулировки скорости |
| 2. Верхняя рукоятка | 10. Боковой разгрузочный канал | 19. Клин для мульчирования |
| 3. Рукоятка управления движением | 11. Боковая заслонка | 20. Кнопка |
| 4. Рычаг воздушной заслонки | 12. Основание | 21. Крышка маслобака / шум |
| 5. Рукоятка стартера | 13. Свеча зажигания | 22. Макс.: верхний предел |
| 6. Направляющая троса | 14. Крышка заливной горловины | 23. Мин.: нижний предел |
| 7. Стопорная рукоятка | 15. Крышка маслобака | 24. Ушко |
| 8. Бункер для сбора травы | 16. Кабельный зажим | 25. Крышка фильтра |
| | 17. Нижняя рукоятка | |



ПРЕДОСТЕРЕЖЕНИЕ:

Для Вашей безопасности, пожалуйста, прочитайте эту инструкцию перед началом работы с Вашим новым устройством. Несоблюдение указаний может привести к серьезным травмам. Потратьте некоторое время, чтобы ознакомиться с газонокосилкой перед каждым использованием. Держите эту инструкцию в надежном месте, чтобы информация была всегда доступна. Если Вы даете оборудование другим лицам, также передавайте инструкцию по эксплуатации и правила техники безопасности.

Предполагаемое использование

Оборудование можно использовать только для таких задач, для которых оно разработано. Любое другое использование считается случаем неправильного использования. Пользователь/оператор, а не производитель, будет нести ответственность за повреждения и травмы любого типа, вызванные такими действиями.

Бензогозокосилка предназначена для личного использования, т.е. для использования на домашних и приусадебных участках.

Частное использование газонокосилки означает, что ежегодное время работы в общем случае не превышает 50 часов, в течение которых устройство главным образом используется для ухода за небольшими газонами около жилых домов, а также для приусадебных/любительских садовых участков. В их число не входят общественные территории, спортивные сооружения и сельскохозяйственные/лесные угодья.

Пожалуйста, обратите внимание, что Ваше оборудование не предназначено для коммерческого, профессионального или промышленного применения. Гарантия будет отозвана, если оборудование используется для коммерческой, профессиональной или промышленной деятельности, а также для подобных целей.

Инструкцию по эксплуатации, прилагаемую производителем, необходимо сохранить и обращаться к ней, чтобы быть уверенным в правильном использовании и техническом обслуживании газонокосилки. В инструкции содержится важная информация об условиях работы, технического обслуживания и ремонта.

Важно! Важно! Из-за высокого риска получения пользователем травм тела, газонокосилку нельзя использовать для обрезки кустов, живых изгородей

или кустарника, для стрижки висящей растительности, растений на крышах или балконной травы, для очистки (всасывания) загрязнений и обрезков на дорожках, а также для измельчения обрезков деревьев или кустарников. Кроме того, газонокосилку нельзя использовать в качестве активного культиватора для выравнивания возвышающихся участков, например, кротовых гнезд.

Для обеспечения безопасности газонокосилку нельзя использовать в качестве привода для других рабочих инструментов или устройств любого типа.

1. СИМВОЛЫ, УКАЗАННЫЕ НА ИЗДЕЛИИ (на задней крышке)



Прочтите руководство по эксплуатации.



Не допускайте посторонних к месту работ.



Чтобы избежать травм, оператор должен обращать особое внимание на руки и ноги.



Топливо легко воспламеняется, не подносите к нему огонь. Не доливайте топливо на работающей машине.



Токсичные пары; не эксплуатируйте в помещении.



Во время обработки газона используйте защитные очки и предохранительные наушники.



Во время ремонта извлеките свечу зажигания и затем выполняйте ремонт в соответствии с руководством по эксплуатации.



Предупреждение: Двигатель горячий.

2. ОБЩИЕ ПРАВИЛА ТЕХНИКИ БЕЗОПАСНОСТИ



ПРЕДОСТЕРЕЖЕНИЕ: При использовании бензиновых инструментов соблюдайте основные правила техники безопасности, включая перечисленные ниже, чтобы снизить риск получения тяжелых травм и/или повреждения устройства. Прочтите все инструкции до начала эксплуатации изделия и сохраните их для последующего использования.



ПРЕДОСТЕРЕЖЕНИЕ: Во время работы данное устройство создает электромагнитное поле. В некоторых случаях это поле может создавать помехи для активных или пассивных медицинских имплантатов. Чтобы уменьшить риск тяжелой или смертельной травмы, перед началом эксплуатации устройства людям с медицинскими имплантатами рекомендуется проконсультироваться с врачом и производителем имплантата.

Обучение

- Внимательно прочитайте инструкции. Ознакомьтесь со всеми органами управления и правилами правильной эксплуатации изделия. Советы по быстрому останову двигателя.
- Используйте газонокосилку только по назначению, для стрижки и подбора травы. Любые другие способы применения могут быть опасными и привести к повреждению машины. Примеры ненадлежащего использования включают, но не ограничиваются следующими способами:
 - перевозка людей, детей или животных на устройстве;
 - транспортировка устройства на машине;
 - использование устройства для буксировки или толкания грузов;
 - использование устройства для сбора листьев или мусора;
 - использование устройства для стрижки кустарника или резки растительности, отличной от травы;
 - использование устройства несколькими людьми;
 - использование ножа на поверхностях, отличных от травы.
- Не разрешайте детям и лицам, не знакомым с данными инструкциями, пользоваться газонокосилкой. В местном законодательстве могут

существовать возрастные ограничения для операторов;

- Запрещается использовать газонокосилку в следующих случаях:
 - если поблизости находятся люди (в особенности дети) или животные.
 - если оператор принимал медицинские препараты или вещества, которые могут повлиять на его реакцию и концентрацию.
- Помните, что оператор/пользователь несет ответственность за происшествия и опасные ситуации с другими людьми или их собственностью.
- Оператор должен пройти соответствующее обучение по использованию, настройке и управлению инструментом, включая запрещенные операции.

Подготовка

- На время стрижки газона обязательно надевайте прочную обувь и длинные брюки. Не пользуйтесь оборудованием босиком или в открытых сандалиях.
- Тщательно проверьте участок, где должно будет использоваться устройство, и уберите все предметы, например, камни, игрушки, палки и проволоку, которые могут отбрасываться инструментом.
- ПРЕДОСТЕРЕЖЕНИЕ** - Бензин легко воспламеняется.
 - храните топливо в предназначенных для этого канистрах;
 - заправляйте бак только вне помещения, не курите во время заправки;
 - доливайте топливо до запуска двигателя. Запрещается снимать крышку топливного бака или доливать бензин при работающем двигателе или если двигатель горячий;
 - если бензин был пролит, не запускайте двигатель; передвиньте газонокосилку в сторону от места разлива и не создавайте каких-либо источников искр до испарения бензина;
 - надежно закрывайте крышки топливного бака и канистры.
- Замените неисправные глушители.
- Перед использованием обязательно осмотрите лезвия, болты крепления лезвий и режущий узел на предмет износа и повреждений. Заменяйте изношенные или поврежденные лезвия и болты комплектами, чтобы не допустить нарушения балансировки.
- Регулярно проверяйте правильность функционирования всех фиксаторов запуска и систем присутствия оператора.

Эксплуатация

- Не включайте двигатель в ограниченном пространстве, где возможно скопление опасных паров угарного газа.
- Не используйте инструмент, если Вы устали, болеете или находитесь под воздействием алкоголя или лекарственных препаратов.
- Предостережение!** Не используйте газонокосилку, если есть вероятность молнии.

- Рекомендуется ограничивать длительность работы, чтобы минимизировать опасность воздействия шумов и вибрации.
- Будьте внимательны при использовании газонокосилки на откосах, а также вблизи склонов, рвов или насыпей.
- Стрижку газонов выполняйте только в дневное время или при хорошем искусственном освещении.
- По возможности не используйте оборудование на мокрой траве.
- Соблюдайте осторожность на склонах.
- Передвигайтесь шагом, не бегайте.
- При использовании колесных ротационных машин стрижку склонов выполняйте только поперек, но ни в коем случае не вверх и не вниз по склону.
- Соблюдайте особую осторожность, меняя направление движения на склонах.
- Не выполняйте стрижку на чересчур крутых склонах.
- Соблюдайте особую осторожность при движении задним ходом или подтягивая газонокосилку к себе.
- Обязательно выключайте лезвие, если газонокосилку необходимо наклонить для транспортировки по поверхности, отличной от травы, либо при транспортировке газонокосилки к месту эксплуатации и обратно.
- Запрещается эксплуатировать газонокосилку с неисправными ограждениями или без защитных приспособлений, например, дефлекторов или бункера для сбора травы.
- Предупреждение: Газонокосилку нельзя использовать без прикрепленного бункера для сбора травы или самозакрывающегося кожуха разгрузочного отверстия.
- Не меняйте настройки регулятора оборотов двигателя и не эксплуатируйте двигатель слишком долго.
- Не изменяйте и не вмешивайтесь в работу зафиксированных регуляторов управления скоростью двигателя.
- Запрещается вмешиваться в работу систем или функции безопасности газонокосилки, а также отключать их.
- Перед запуском двигателя отсоедините все лезвия и муфты привода.
- Включайте двигатель осторожно, в соответствии с инструкциями, ноги при этом должны находиться как можно дальше от лезвий.
- При запуске двигателя не наклоняйте газонокосилку.
- Не включайте двигатель, стоя перед разгрузочным желобом.
- Не помещайте руки или ноги под вращающиеся детали или вблизи них. В любой ситуации не становитесь перед разгрузочным отверстием.
- Не поднимайте и не переносите газонокосилку с работающим двигателем.
- Выключите двигатель и отсоедините провод свечи зажигания, убедитесь, что все движущиеся части полностью остановились, если вставлен ключ - извлеките его:
 - перед устранением засоров и удалением предметов, закупоривших желоб;
- перед проверкой, очисткой или обслуживанием газонокосилки;
- после удара о посторонний предмет. Осмотрите газонокосилку на предмет повреждений и устраните неисправность, прежде чем включать и эксплуатировать газонокосилку;
- если началась ненормальная вибрация газонокосилки (немедленно проверьте).
- Выключите двигатель и отсоедините провод свечи зажигания, убедитесь, что все движущиеся части полностью остановились, если вставлен ключ - извлеките его:
 - оставляя ее без присмотра;
 - перед заправкой.
- При выключении двигателя уменьшите степень открытия дроссельной заслонки; если двигатель оснащен отсечным клапаном, по окончании стрижки газона выключите подачу топлива.
- Используйте газонокосилку только по назначению, для стрижки и подбора травы. Любые другие способы применения могут быть опасными, привести к повреждению машины.

Обслуживание и хранение

- Все гайки, болты и винты должны быть надежно затянуты - это обеспечит безопасность и работоспособность.
- Не храните оборудование с бензином в баке в помещениях, где пары могут достичь открытого огня или искр.
- Дайте двигателю охладиться перед тем, как убирать его в закрытое место; Очистите газонокосилку и выполните техническое обслуживание перед хранением.
- Чтобы уменьшить опасность пожара, храните двигатель, глушитель, отделение для батареи и бензин вдали от мест с травой, листьями или вблизи с большим количеством смазки.
- Периодически проверяйте бункер для сбора травы на предмет износа и снижения эксплуатационных качеств.
- Чтобы обеспечить безопасность, заменяйте изношенные и поврежденные детали.
- Если требуется слить топливо из бака, это следует делать вне помещения.
- Неправильное техническое обслуживание, использование неподходящих запасных частей, а также удаление или модификация компонентов, отвечающих за безопасность, может повредить газонокосилку и привести к серьезным травмам оператора.
- Используйте только рекомендованные производителем лезвия и запасные части. Использование неоригинальных частей может повредить и инструмент и привести к травмам оператора. Содержите газонокосилку в хорошем рабочем состоянии.
- Если устройство остановки лезвия не работает, пожалуйста, обратитесь за помощью в центр технического обслуживания.

Транспортировка и использование

- В случаях, когда устройство используется, поднимается, перемещается или наклоняется необходимо:
 - надевать прочные рабочие перчатки;
 - держать устройство таким образом, чтобы обеспечить безопасный захват с учетом массы устройства и ее распределения;
 - количество помощников должно соответствовать массе устройства и характеристикам автомобиля или места, куда перемещается или откуда забирается устройство.
- Во время транспортировки надежно закрепите устройство тросами или цепями.



ПРЕДОСТЕРЕЖЕНИЕ: Не прикасайтесь к вращающемуся лезвию.



ПРЕДОСТЕРЕЖЕНИЕ: Выполняйте заправку только в хорошо проветриваемом помещении при остановленном двигателе.

3. ОПИСАНИЕ ДЕТАЛЕЙ (Рис. 1)

Включая:

А: Ключ для свечи зажигания

4. ТЕХНИЧЕСКИЕ ДАННЫЕ

| | |
|-------------------------------|------------------------------|
| Модель | PLM5600N2 |
| Тип масла | Серия V&S 675EXi, ReadyStart |
| Самоходная | Да |
| Рабочий объем двигателя | 163 см ³ |
| Номинальная мощность | 2,6 кВт |
| Ширина ножа | 560 мм |
| Номинальная скорость | 2800/мин |
| Емкость топливного бака | 1,0 л |
| Емкость маслобака | 0,47 л |
| Объем бункера для сбора травы | 70 л |
| Вес нетто | 37,2 кг |
| Регулировка высоты | 25 - 70 мм, 8 положений |

| | |
|---|------------------------------|
| Модель | PLM5600N2 |
| Гарантированный уровень звукового давления на месте оператора (В соответствии с EN ISO 5395-1 Annex F и EN ISO 5395-2, EN ISO 4871) | 88,5 дБ (А) (K=3 дБ (А)) |
| Измеренный уровень звуковой мощности | 96,3 дБ (А) K=1,86 дБ (А) |
| Гарантированный уровень звуковой мощности (В соответствии с 2000/14/ЕС) | 98 дБ (А) |

| | |
|--|---|
| Вибрация (В соответствии с EN ISO 5395-1 Annex G и EN ISO 5395-2) | 7,90 м/с ² K=1,5 м/с ² |
|--|---|

5. СБОРКА

5-1 СБОРКА СКЛАДНОЙ РУКОЯТКИ

1. Установите нижнюю рукоятку на кронштейн рукоятки с помощью болта, шайбы и стопорной рукоятки. (Рис. 2, Рис. 3)
2. Соедините верхнюю и нижнюю рукоятки стопорной рукояткой. (Рис. 4, Рис. 5)
3. Расположите кабель вокруг отверстия средней части оси нижней рукоятки. Зафиксируйте кабельным зажимом и убедитесь, что кабель зафиксирован вокруг внешней части рукоятки. (Рис. 6) В противном случае кабель может быть защемлен при открытии/закрытии задней крышки.

5-2 РЕГУЛИРОВКА ВЫСОТЫ

- 1) Выверните стопорную рукоятку, которая фиксировала нижнюю рукоятку.
- 2) Переместите нижнюю рукоятку вверх/вниз, отрегулируйте ее на необходимую высоту. На данном типе газонокосилки предусмотрено 3 положения высоты: в положении 1 нижняя рукоятка находится максимально высоко от земли, в положении 3 нижняя рукоятка находится в крайнем нижнем положении к земле. (Рис. 7)
- 3) После регулировки высоты нижней рукоятки зафиксируйте ее стопорной рукояткой. (Рис. 8)

5-3 УСТАНОВКА И СНЯТИЕ БУНКЕРА ДЛЯ СБОРА ТРАВЫ

1. Установка: Поднимите заднюю крышку и присоедините бункер для сбора травы в задней части газонокосилки. (Рис. 9, Рис. 10)
2. Снятие: Возьмитесь за заднюю крышку и поднимите ее, затем отсоедините бункер.

5-4 РУКОЯТКА СТАРТЕРА

Переведите рукоятку стартера с двигателя на направляющий троса. (Рис. 11)

5-5 ВЫСОТА СРЕЗАНИЯ

Нажмите по направлению наружу, чтобы высвободить рычаг из рейки. Переместите рычаг вперед или назад для регулировки высоты. (Рис. 12, см. также пункт 7-9)

6. ФУНКЦИОНИРОВАНИЕ

Предусмотрена возможность модернизации данных газонокосилок в зависимости от области применения: Газонокосилка с задним выбросом в:

1. газонокосилку для мульчирования, или
2. газонокосилку с отводом в сторону.

Что такое мульчирование?

При мульчировании трава срезается за один рабочий проход, затем мелко нарезается и возвращается на почву в качестве природного удобрения.

Советы для обработки газонов с мульчированием:

- Обычное срезание травы максимум на 2 см: с 6 до 4 см.

- Используйте острый нож.
- Не косите мокрую траву.
- Установите макс. скорость двигателя.
- Перемещайтесь только в рабочем темпе.
- Регулярно очищайте клин для мульчирования, внутренние поверхности корпуса и лезвие.

Начало работы

6-1 Переделка в газонокосилку для мульчирования



ПРЕДОСТЕРЕЖЕНИЕ: Только при выключенном двигателе и неподвижном ноже.

1. Поднимите заднюю крышку и снимите бункер для сбора травы.
2. Надвиньте клин для мульчирования на основание. Зафиксируйте кнопкой клин для мульчирования в отверстии основания. (Рис. 13, Рис. 14)
3. Опустите заднюю крышку. (Рис. 15)
4. Поднимите боковую заслонку и снимите боковой разгрузочный канал.

6-2 Переделка для отвода в сторону



Только при неподвижном двигателе и ноже!

1. Поднимите заднюю крышку и снимите бункер для сбора травы.
2. Надвиньте клин для мульчирования на основание. Зафиксируйте кнопкой клин для мульчирования в отверстии основания.
3. Поднимите боковую заслонку для отвода в сторону. (Рис. 16)
4. Установите боковой разгрузочный канал для отвода в сторону на опорный штифт боковой заслонки. (Рис. 17)
5. Опустите боковую заслонку, чтобы она легла на боковой разгрузочный канал. (Рис. 18)

6-3 Стрижка газона с использованием бункера для сбора травы



ПРЕДОСТЕРЕЖЕНИЕ: Только при неподвижном двигателе и ноже.

Чтобы использовать газонокосилку с бункером для сбора травы, снимите клин для мульчирования и боковой разгрузочный канал для бокового отвода, и установите бункер для сбора травы.

1. Снятие клина для мульчирования.
 - Поднимите заднюю крышку и снимите клин для мульчирования.
2. Удаление отводящего желоба для бокового отвода:
 - Поднимите боковую заслонку и удалите боковой отводящий желоб.
 - Боковая заслонка автоматически закрывает выходное отверстие на корпусе под действием силы пружины.
 - Регулярно очищайте боковую заслонку и выходное отверстие от остатков травы и налипшей грязи.

3. Установка бункера для сбора травы.
 - Поднимите заднюю крышку и присоедините бункер для сбора травы в задней части газонокосилки.

7. ИНСТРУКЦИИ ПО ЭКСПЛУАТАЦИИ

7-1 ПЕРЕД НАЧАЛОМ РАБОТЫ

Обрабатывайте двигатель бензином и маслом согласно инструкциям в отдельном руководстве по двигателю, которое входит в комплект документации, прилагаемой к газонокосилке. Внимательно прочитайте инструкции. (Рис. 19, Рис. 20, Рис. 21)



ПРЕДОСТЕРЕЖЕНИЕ: Бензин легко воспламеняется.

Храните топливо в предназначенных для этого канистрах.

Заправляйте бак только вне помещения, перед запуском двигателя, и не курите во время заправки или погрузочно-разгрузочных операций с топливом. Запрещается снимать крышку топливного бака или доливать бензин при работающем двигателе или если двигатель горячий.

Если бензин был пролит, не запускайте двигатель; передвиньте газонокосилку в сторону от места разлива и не создавайте каких-либо источников искр до испарения бензина.

Надежно закрывайте крышки топливного бака и канистры.

Перед тем как наклонить газонокосилку для обслуживания ножа или слива масла, слейте топливо из бака.



ПРЕДОСТЕРЕЖЕНИЕ: Запрещается заливать топливо в бак в помещении, при работающем двигателе или ранее 15 минут после выключения двигателя.

7-2 ПУСК ДВИГАТЕЛЯ И ВКЛЮЧЕНИЕ НОЖА

1. Свеча зажигания газонокосилки защищена резиновым чехлом; убедитесь, что металлическая петля на конце провода свечи зажигания (внутри резинового чехла) надежно прикреплена к металлическому наконечнику на свече зажигания.
2. При запуске холодного или горячего двигателя поверните рычаг воздушной заслонки дросселя в положение между положением "☉" и положением "☾". При работе поверните рычаг воздушной заслонки в положение "☾". (Рис. 22)
3. Стоя позади устройства, возьмитесь за рукоятку управления тормозом и прижмите ее к верхней рукоятке как показано на Рис. 23.
4. Возьмитесь за рукоятку стартера как показано на Рис. 23 и резко потяните вверх. После запуска двигателя медленно верните ее на направляющую троса.

Чтобы остановить двигатель и нож, отпустите рукоятку управления тормозом.



Включайте двигатель осторожно, в соответствии с инструкциями, ноги при этом должны находиться как можно дальше от лезвий.



При запуске двигателя не наклоняйте газонокосилку. Включайте газонокосилку на ровной поверхности, свободной от высокой травы или препятствий.



Берегите руки и ноги от вращающихся деталей. Не включайте двигатель, стоя перед разгрузочным отверстием.

7-3 ЭКСПЛУАТАЦИОННЫЕ ПРОЦЕДУРЫ

Во время работы надежно удерживайте рукоятку управления тормозом обеими руками.



Примечание: Если во время работы отпустить рукоятку управления тормозом, двигатель выключится, и газонокосилка прекратит работу.



Предостережение: Во избежание неожиданного запуска газонокосилки она оборудована тормозом двигателя, который нужно вдавить перед тем, как будет возможно запустить двигатель. Когда рычаг управления двигателя отпускается, он должен вернуться в исходное положение, в котором двигатель автоматически выключается.



Примечание: Тормоз двигателя (рукоятка тормоза): Используйте рычаг, чтобы остановить двигатель. Когда Вы отпускаете рычаг, двигатель и лезвие останавливаются автоматически. Для кошения травы держите рычаг в рабочем положении. Перед началом кошения, проверьте несколько раз правильность работы рычага запуска/остановки. Убедитесь в плавности работы кабеля натяжения (т.е. что он нигде не заедает и не скручивается).

7-4 ВЫКЛЮЧЕНИЕ ДВИГАТЕЛЯ



ПРЕДУПРЕЖДЕНИЕ: Нож продолжает вращаться в течение нескольких секунд после выключения двигателя.

1. Чтобы остановить двигатель и нож, отпустите рукоятку управления тормозом. (Рис. 24)
2. Отсоедините и заземлите провод зажигания от свечи согласно указаниям в руководстве по эксплуатации двигателя, чтобы предотвратить случайный самопроизвольный пуск устройства.

7-5 СОЕДИНЕНИЕ ДЛЯ АВТОМАТИЧЕСКОГО ДВИЖЕНИЯ

Газонокосилка оснащена системой регулировки скорости с тремя режимами – от 3,0 до 4,5 км/ч. Положение "☁": самая медленная работа; положение "☀": самая быстрая работа. (Рис. 25) Действовать как указано ниже:

1. Отпустите ручку управления движением, чтобы газонокосилка остановилась.

2. Настройте нужную скорость.
3. Возьмитесь за ручку управления движением, чтобы продолжить обработку газона. (Рис. 26)



ПРЕДУПРЕЖДЕНИЕ: Газонокосилка предназначена для скашивания травы на приусадебных участках, высота которой не превышает 250 мм.

Не пытайтесь скашивать слишком высокую, сухую или влажную траву (например, на пастбище) или кучи сухих листьев. Мусор может скопиться в основании газонокосилки или попасть на выпускную систему, что может создать потенциальную угрозу пожара.

7-6 МЕТОДЫ СТРИЖКИ ГАЗОНОВ

Очистите газон от мусора. Убедитесь, что на газоне нет камней, палок, проводов или других инородных предметов, которые могут быть случайно выброшены газонокосилкой, причинив тяжелую травму оператору или посторонним людям, повредить имущество или окружающие предметы. Не косите мокрую траву. Для максимальной эффективности стрижки газона не косите мокрую траву, поскольку она налипает на днище основания и затрудняет стрижку. Срежьте не более 1/3 высоты травы. Рекомендованная высота срезания для газона составляет 1/3 высоты травы. Скорость передвижения следует подобрать таким образом, чтобы срезанная трава равномерно распределялась по газону. В особо сложных условиях при скашивании толстых стеблей используйте самые низкие скорости, чтобы добиться оптимального скашивания. При скашивании высокой травы может потребоваться скашивание газона в два захода, опустив нож еще на 1/3 при втором заходе. Возможно, при втором заходе нужно будет изменить способ скашивания. Для зачистки отдельных несхоженных участков рекомендуется, чтобы каждый следующий проход немного перекрывал предыдущий. Газонокосилку следует эксплуатировать с максимально открытой дроссельной заслонкой, чтобы добиться наилучшего срезания травы и максимально эффективной стрижки газона. Очищайте днище основания. Обязательно очищайте днище основания после каждого использования, чтобы не допустить скопления травы. Она снижает качество мульчирования. Перемалывание листьев. Перемалывание листьев также полезно для газонов. При перемалывании листьев убедитесь, что они сухие и их слой на газоне не слишком толстый. Не дожидайтесь, пока с деревьев опадут все листья, чтобы начать перемалывание.



ПРЕДОСТЕРЕЖЕНИЕ: Наткнувшись на посторонний предмет, выключите двигатель.

Отсоедините провод от свечи зажигания, тщательно осмотрите газонокосилку на предмет повреждений, и устраните повреждения перед повторным запуском и эксплуатацией газонокосилки. Сильная вибрация газонокосилки во время работы является признаком повреждения. Устройство следует незамедлительно осмотреть и отремонтировать.

7-7 БУНКЕР ДЛЯ СБОРА ТРАВЫ

На задней крышке предусмотрено прозрачное окно, через которое можно проверять состояние травы в бункере.


Если бункер наполнен травой: опорожните и очистите бункер (убедитесь, что он чистый, а его сетка вентилируется). (Рис. 27)

7-8 ОСНОВАНИЕ

Нижнюю поверхность основания газонокосилки следует очищать после каждого использования, чтобы предотвратить скопление обрезков травы, листьев, грязи и т.п. Если такой мусор будет скапливаться, это приведет к появлению ржавчины и коррозии, и может снизить качество мульчирования. Для очистки основания наклоните газонокосилку и соскребите грязь подходящим инструментом (убедитесь, что провод зажигания отсоединен).

7-9 УКАЗАНИЯ ПО РЕГУЛИРОВКЕ ВЫСОТЫ

 **ПРЕДУПРЕЖДЕНИЕ:** Ни в коем случае не выполняйте какие-либо регулировки газонокосилки, не выключив предварительно двигатель и не отсоединив провод зажигания.

 **ПРЕДУПРЕЖДЕНИЕ:** Перед изменением высоты скашивания выключите газонокосилку и отсоедините провод зажигания.

Газонокосилка оснащена центральным рычагом регулировки высоты, имеющим 8 положений.

1. Прежде чем изменять высоту срезания, выключите газонокосилку и отсоедините провод зажигания.
2. Центральный рычаг регулировки высоты имеет 8 различных положений.

Чтобы изменить высоту срезания, отожмите рычаг регулировки к стороне колеса и переместите вверх или вниз в положение требуемой высоты.

Все колеса при скашивании окажутся на одинаковой высоте. (Рис. 28)

8. ИНСТРУКЦИИ ПО УХОДУ

СВЕЧА ЗАЖИГАНИЯ

Используйте только оригинальные свечи зажигания. Для максимально эффективной работы заменяйте свечу зажигания через каждые 100 часов эксплуатации.

ТОРМОЗНЫЕ ДИСКИ


Регулярно проверяйте и/или заменяйте тормозные диски двигателя в сервисном центре, для замены можно использовать только оригинальные части.

9. ИНСТРУКЦИИ ПО СМАЗКЕ

 **ПРЕДУПРЕЖДЕНИЕ:** ПЕРЕД НАЧАЛОМ ОБСЛУЖИВАНИЯ ОТСОЕДИНИТЕ СВЕЧУ ЗАЖИГАНИЯ.


1. КОЛЕСА - Смазывайте подшипники каждого колеса светлым маслом не реже одного раза в сезон.
2. ДВИГАТЕЛЬ - Следуйте указаниям по смазке, приведенным в руководстве по эксплуатации двигателя.

10. ОЧИСТКА

 **ПРЕДУПРЕЖДЕНИЕ:** Не мойте двигатель из шланга. Вода может повредить двигатель или проникнуть в топливную систему.

1. Протирайте основание сухой тканью.
2. Промывайте днище основания, наклонив газонокосилку так, чтобы свеча зажигания была сверху.

10-1 ВОЗДУШНЫЙ ФИЛЬТР ДВИГАТЕЛЯ


 **ПРЕДУПРЕЖДЕНИЕ:** Не допускайте засорения сменного элемента воздушного фильтра грязью и пылью. Сменный элемент воздушного фильтра двигателя следует обслуживать (прочистить) через каждые 25 часов нормальной эксплуатации. Элемент из пеноматериала необходимо регулярно обслуживать, если газонокосилка используется в сухих пыльных условиях.

ОЧИСТКА ВОЗДУШНОГО ФИЛЬТРА

1. Поднимите ушко на крышке фильтра. (Рис. 29)
2. Снимите крышку фильтра.
3. Промойте элемент воздушного фильтра водой с мылом. **НЕ ИСПОЛЬЗОВАТЬ БЕНЗИН!**
4. Просушите воздушный фильтр сжатым воздухом.
5. Капните несколько капель масла SAE30 на элемент из вспененного материала и слегка сожмите, чтобы удалить излишек масла.
6. Установите фильтр на место.
7. Закройте крышку фильтра.

ПРИМЕЧАНИЕ: Если фильтр изношен, порван, поврежден или не поддается чистке, его следует заменить.

10-2 НОЖ

 **ПРЕДУПРЕЖДЕНИЕ:** Чтобы не допустить случайного пуска двигателя, обязательно отсоединяйте и заземляйте провод зажигания, прежде чем приступать к обслуживанию ножа. Если нужно взяться за нож, надевайте толстые перчатки или используйте обрезки ткани. Наклоните газонокосилку, как указано в отдельном руководстве по эксплуатации двигателя. Извлеките шестигранный болт с шайбой, которые удерживают нож с адаптером на коленвале двигателя. Отсоедините нож и адаптер от коленвала.



ПРЕДОСТЕРЕЖЕНИЕ: Периодически осматривайте адаптер ножа на предмет трещин, особенно в случае удара о посторонний предмет. При необходимости замените.

Для обеспечения максимально эффективной работы нож должен быть острым. Для заточки ножа его необходимо снять и использовать шлифовальный круг либо напильник для придания ножу формы, как можно более близкой к первоначальной. Очень важно, чтобы режущие края были заточены одинаково, чтобы предотвратить нарушение балансировки ножа.

Неправильная балансировка приведет к повышенной вибрации, что станет причиной повреждения двигателя и газонокосилки. Обязательно выполняйте балансировку ножа после заточки. Балансировку ножа можно проверить с помощью отвертки, используемой в качестве оси. Снимайте металл с более тяжелой стороны ножа, пока не добьетесь равномерной балансировки. (Рис. 30)

Перед установкой ножа и адаптера на газонокосилку смажьте коленвал двигателя и внутренние поверхности адаптера светлым маслом. Установите адаптер ножа на коленвал. См. Рис. 30. Установите нож стороной с номером детали от адаптера. Установите шайбу на нож и вставьте шестигранный болт. Затяните болт усилием, указанным ниже.

10-3 МОМЕНТ ЗАТЯЖКИ НОЖА

Центральный болт 40 Нм - 50 Нм, для обеспечения безопасной эксплуатации устройства. Необходимо периодически проверять надежность затяжки ВСЕХ гаек и болтов.

После длительного использования, особенно в местностях с песчаной почвой, нож изнашивается и теряет первоначальную форму. Эффективность резки снижается, и нож следует заменить. В качестве замены используйте только ножи заводского производства и рекомендованных марок. Изготовитель не несет ответственность за повреждения, вызванные использованием ножей с неправильной балансировкой.

При замене ножа необходимо использовать оригинальные детали с маркировкой на лезвии (МАКИТА 263001171) (информацию о других ножах можно получить у местного дилера или в нашей компании, см. обложку).

10-4 ДВИГАТЕЛЬ

Инструкции по уходу за двигателем см. в отдельном руководстве по эксплуатации двигателя. Замену масла выполняйте в соответствии с указаниями в отдельном руководстве по эксплуатации двигателя, которое входит в комплект поставки вашего устройства. Внимательно прочитайте инструкции и точно выполняйте все указания.

Обслуживайте воздушный фильтр согласно указаниям в отдельном руководстве по эксплуатации двигателя при нормальных условиях.

При эксплуатации в условиях сильного запыления очищайте через каждые несколько часов работы. Падение мощности двигателя и перелив топлива обычно указывают на необходимость очистки воздушного фильтра.

Указания по обслуживанию воздушного фильтра см. в отдельном руководстве по эксплуатации двигателя, которое входит в комплект поставки вашего устройства.

Свечу зажигания следует очищать и регулировать зазор электродов один раз в сезон. Рекомендуется заменять свечу зажигания в начале каждого сезона; тип свечи и зазор электродов см. в руководстве по эксплуатации двигателя.

Регулярно чистите двигатель тканью или щеткой. Поддерживайте чистоту системы охлаждения (область корпуса вентилятора) для надлежащей циркуляции воздуха. Это обеспечит нормальную работу и продлит срок службы двигателя.

Обязательно удаляйте траву, грязь и горючий мусор из области глушителя.

11. УКАЗАНИЯ ПО ХРАНЕНИЮ (МЕЖДУ СЕЗОНАМИ)

Для подготовки газонокосилки к длительному хранению выполните следующее.

1. Опорожните бак после окончания сезона садовых работ.
 - a) Слейте бензин из бака с помощью насоса.



ПРЕДУПРЕЖДЕНИЕ: Не сливайте бензин в закрытых помещениях, вблизи от открытого огня и т.п. Не курите! Пары бензина могут вызвать взрыв или возгорание.

- b) Запустите двигатель и дайте ему поработать до тех пор, пока он не выработает остатки топлива и не заглохнет.
 - c) Снимите свечу зажигания. Залейте примерно 20 мл масла в камеру сгорания. Поработайте стартером, чтобы равномерно распределить масло по камере сгорания. Установите на место свечу зажигания.
2. Тщательно очистите и смажьте газонокосилку как описано выше в разделе "ИНСТРУКЦИИ ПО СМАЗКЕ".
 3. Слегка смажьте нож, чтобы предотвратить его коррозию.
 4. Храните газонокосилку в сухом, чистом, защищенном от морозов месте, вне досягаемости посторонних лиц.



ПРЕДУПРЕЖДЕНИЕ: Перед помещением газонокосилки на хранение двигатель должен полностью остыть.



ПРИМЕЧАНИЕ:

- В случае хранения любого оборудования с силовой установкой в непроветриваемом помещении или на складе материалов.
- необходимо принять меры для предотвращения коррозии и ржавчины. Нанесите на оборудование светлое масло или силиконовое масло, особенно на кабели и все подвижные части.
- Не перегибайте и не перекручивайте кабели.

- Если трос стартера отсоединится от направляющей на рукоятке, отсоедините и заземлите провод зажигания, нажмите на рукоятку управления ножом и медленно вытяните трос стартера из двигателя. Наденьте трос стартера на болт направляющей троса на рукоятке.

Транспортировка

Выключите двигатель и дайте ему охладиться. Затем отсоедините провод свечи зажигания и опустошите топливный бак согласно указаниям в инструкции по эксплуатации двигателя. Проверьте, что режущий инструмент не согнут и не поврежден в результате ударов газонокосилки о препятствия.

12. ПОИСК И УСТРАНЕНИЕ НЕИСПРАВНОСТЕЙ

| ПРОБЛЕМА | ВОЗМОЖНАЯ ПРИЧИНА | СПОСОБ УСТРАНЕНИЯ |
|---|---|--|
| Двигатель не запускается. | Неправильное положение воздушной заслонки для данных условий. | Установите воздушную заслонку в правильное положение. |
| | Топливный бак пуст. | Залейте топливо в бак: см. РУКОВОДСТВО ПО ЭКСПЛУАТАЦИИ ДВИГАТЕЛЯ. |
| | Загрязнен фильтрующий элемент воздушного фильтра. | Очистите воздушный фильтр: см. РУКОВОДСТВО ПО ЭКСПЛУАТАЦИИ ДВИГАТЕЛЯ. |
| | Не затянута свеча зажигания. | Затяните свечу зажигания усилием 25 - 30 Нм. |
| | Не закреплен или отсоединен провод зажигания. | Установите провод зажигания на свечу. |
| | Неправильный зазор электродов свечи зажигания. | Установите зазор между электродами свечи 0,7 - 0,8 мм. |
| | Неисправна свеча зажигания. | Установите новую свечу с правильным зазором электродов: см. РУКОВОДСТВО ПО ЭКСПЛУАТАЦИИ ДВИГАТЕЛЯ. |
| | Перелив топлива в карбюратор. | Снимите фильтрующий элемент воздушного фильтра и вытягивайте трос стартера до тех пор, пока из карбюратора не сольется излишек топлива, после чего установите воздушный фильтр на место. |
| Затруднения с пуском двигателя или потеря мощности двигателя. | Неисправен модуль зажигания. | Обратитесь в сервисную службу. |
| | Грязь, вода в топливе или старое топливо. | Слейте топливо и очистите бак. Залейте в бак чистое, свежее топливо. |
| | Засорено вентиляционное отверстие в крышке топливном баке. | Очистите или замените крышку топливного бака. |
| Неустойчивая работа двигателя. | Загрязнен фильтрующий элемент воздушного фильтра. | Очистите воздушный фильтр. |
| | Неисправна свеча зажигания. | Установите новую свечу с правильным зазором электродов: см. РУКОВОДСТВО ПО ЭКСПЛУАТАЦИИ ДВИГАТЕЛЯ. |
| | Неправильный зазор электродов свечи зажигания. | Установите зазор между электродами свечи 0,7 - 0,8 мм. |
| Неустойчивая работа двигателя на холостых оборотах. | Загрязнен фильтрующий элемент воздушного фильтра. | Очистите воздушный фильтр: см. РУКОВОДСТВО ПО ЭКСПЛУАТАЦИИ ДВИГАТЕЛЯ. |
| | Заблокированы вентиляционные щели в кожухе двигателя. | Удалите мусор из щелей. |
| | Засорены ребра теплоотвода и воздушные каналы под корпусом вентилятора. | Удалите мусор из ребер теплоотвода и воздушных каналов. |
| Перебои в работе двигателя на высоких оборотах. | Недостаточный зазор между электродами свечи зажигания. | Установите зазор между электродами свечи 0,7 - 0,8 мм. |

| ПРОБЛЕМА | ВОЗМОЖНАЯ ПРИЧИНА | СПОСОБ УСТРАНЕНИЯ |
|---------------------------------|---|---|
| Перегрев двигателя. | Недостаточный поток воздуха охлаждения. | Удалите мусор из щелей кожуха, корпуса вентилятора и воздушных каналов. |
| | Свеча зажигания неверного типа. | Установите оригинальные свечи зажигания и охлаждающие ребра на двигатель. |
| Сильная вибрация газонокосилки. | Не закреплен режущий блок. | Затяните крепление ножа. |
| | Нарушена балансировка режущего блока. | Выполните балансировку ножа. |

13. ОКРУЖАЮЩАЯ СРЕДА

Если срок эксплуатации газонокосилки истек и ее требуется заменить, не выбрасывайте ее вместе с бытовыми отходами. Утилизируйте ее безопасным для окружающей среды способом.

14. СЕРТИФИКАТ СООТВЕТСТВИЯ ЕС

Только для европейских стран

Сертификат соответствия ЕС внесен как Приложение А к данной инструкции по эксплуатации.

Пояснення загального вигляду

- | | | |
|--------------------------------------|---|---|
| 1. Ручка керування гальмами | 10. Канал для бокового викиду | 19. Мульчувальний клин |
| 2. Верхня ручка | 11. Бокова відкидна заслінка | 20. Кнопка |
| 3. Ручка керування самостійним рухом | 12. Корпус | 21. Кришка отвору для заливання мастила/стрижневий покажчик рівня |
| 4. Важіль дроселювання | 13. Свічка запалювання | 22. Макс.: верхня позначка |
| 5. Ручка стартера | 14. Кришка паливного баку | 23. Мін.: нижня позначка |
| 6. Фіксатор пускового шнура | 15. Кришка отвору для заливання мастила | 24. Лапка |
| 7. Фіксуюча рукоятка | 16. Затискач для кріплення кабелю | 25. Кришка фільтра |
| 8. Травозбірник | 17. Нижня ручка | |
| 9. Важіль регулювання висоти | 18. Важіль регулювання швидкості | |



УВАГА:

Задля Вашої безпеки перед початком роботи з новим інструментом, будь ласка, прочитайте цей посібник. Недотримання інструкцій може призвести до серйозних травм. Оглядайте газонокосарку перед кожним використанням. Збережіть цей посібник у безпечному місці, щоб мати змогу завжди ним користуватись. Якщо даний інструмент передається іншій особі, також передайте ці інструкції з експлуатації та правила техніки безпеки.

Призначення

Цей інструмент можна використовувати лише для тих завдань, для яких він передбачений. Використання для будь-яких інших цілей вважається неналежним використанням. Відповідальність за будь-які пошкодження або травми, отримані внаслідок такого використання, несе користувач/оператор, а не виробник.

Бензинова газонокосарка призначена для особистого використання, тобто для догляду за газоном або садом. Під особистим використанням газонокосарки розуміється не більше 50 годин роботи протягом року, при цьому інструмент має використовуватися в основному для догляду за невеликими, присадибними газонами та домашніми/аматорськими садами. Використання цього інструмента в громадських місцях, спортивних закладах та сільському/лісовому господарстві заборонене.

Майте на увазі, що цей інструмент не призначений для комерційного, торгівельного або промислового використання. Наша гарантія анулюється, якщо даний інструмент використовуватиметься в комерції, торгівлі або промисловості, чи з аналогічними цілями.

Для належного використання і технічного обслуговування газонокосарки зберігайте та дотримуйтеся наданих виробником інструкцій з експлуатації. Дані інструкції містять корисну інформацію щодо експлуатації, догляду та технічного обслуговування.

Важливо! Через великий ризик травмування користувача, газонокосарку не можна використовувати для вирівнювання кущів, живоплоту чи чагарнику, для підстригання повзучих рослин, озеленених дахів чи балконів, для прибирання (засмоктання) бруду та сміття з доріжок, або обрізання дерев чи живоплоту. Крім того, газонокосарку не можна використовувати у

якості мотокультиватора для вирівнювання грудок, наприклад, кротовини.

Задля безпеки газонокосарку не можна використовувати у якості приводу для будь-яких інших інструментів чи комплектів інструментів.

1. СИМВОЛИ НА ВИРОБІ (на задній кришці)



Прочитайте інструкції з експлуатації.



Тримайте дистанцію від сторонніх людей.



Під час роботи слідкуйте за руками і ногами, щоб запобігти травмам.



Пальне вогнебезпечно, тому тримайтеся подалі від вогню. Не заливайте пальне у працюючий інструмент.



Отруйні гази: не використовуйте інструмент у приміщенні.



Перед використанням газонокосарки надягайте окуляри і вставляйте у вуха беруші.



Перед проведенням ремонту, будь ласка, знімайте свічку запалювання, а потім здійсніть ремонт згідно з інструкцією.



Застереження: двигун гарячий.

2. ЗАГАЛЬНІ ПРАВИЛА БЕЗПЕКИ



УВАГА: Щоб зменшити ризик серйозного травмування та/або пошкодження інструмента, під час використання бензинових інструментів необхідно завжди дотримуватись основних правил техніки безпеки, включаючи нижченаведені положення. Перед початком роботи з цим інструментом прочитайте усі інструкції і збережіть їх для подальшого використання.



УВАГА: Під час роботи цей інструмент утворює електромагнітне поле. За певних обставин це поле може впливати на активні або пасивні медичні імпланти. Щоб зменшити ризик отримання серйозних та смертельних тілесних ушкоджень, ми рекомендуємо особам із медичними імплантатами перед використанням цього інструмента звернутися до лікаря та виробника медичних імплантатів.

Інструктаж користувача

- Уважно прочитайте інструкцію з експлуатації. Ознайомтеся зі всіма засобами керування пристроєм, а також із правилами його належного використання. Навчіться швидко зупиняти двигун.
- Використовуйте газонокосарку тільки за призначенням, тобто для скошування та збирання трави. Використання не за призначенням є небезпечним і може призвести до пошкодження пристрою. Прикладами неналежного використання пристрою можуть, зокрема, бути:
 - перевезення на пристрої людей, дітей або тварин;
 - транспортування за допомогою пристрою;
 - використання пристрою для буксирування або штовхання вантажів;
 - використання пристрою для збирання листя або сміття;
 - використання пристрою для підрізання живоплоту або для скошування будь-якої рослинності, окрім трави;
 - перебування пристрою у використанні двома або більше особами;
 - використання ріжучого полотна на будь-яких інших поверхнях, окрім трави.
- Ніколи не дозволяйте користуватися бензиновою газонокосаркою дітям та особам, не ознайомленим із цими інструкціями. Місцеві нормативні документи можуть обмежувати віковий поріг оператора.
- Ніколи не використовуйте газонокосарку:
 - коли поблизу знаходяться інші особи, особливо діти або домашні тварини;

- якщо оператор перебуває під дією лікарських засобів або інших речовин, що можуть впливати на його здатність реагувати та зосереджуватися.

- Пам'ятайте, що оператор або користувач несе відповідальність за нещасні випадки та створення небезпечних ситуацій, що можуть зашкодити людям та їхньому майну.
- Оператори повинні отримати належну підготовку з використання, регулювання та роботи інструмента, включаючи заборонені дії.

Підготовка

- Перед використанням газонокосарки завжди надягайте міцне взуття та довгі штани. Забороняється використовувати інструмент босоніж або у відкритому взутті.
- Уважно обстежте робочу ділянку, на якій буде застосовуватися інструмент, і приберіть усі предмети, як-от камені, іграшки, гілки та дроти, які можуть відкидатися інструментом.
- УВАГА: Бензин є легкозаймистою речовиною.
 - зберігайте пальне у спеціально призначених контейнерах;
 - заливайте пальне тільки поза приміщенням і не паліть у цей час;
 - доливайте пальне перед запуском двигуна. Ніколи не знімайте кришку паливного баку і не доливайте бензин під час роботи двигуна або коли двигун гарячий;
 - якщо бензин пролився, не намагайтеся запустити двигун, а перемістіть інструмент подалі від цього місця і не створюйте джерела займання, доки випари бензину не розвіються;
 - надійно закручіть кришку паливного баку і кришку паливного контейнера.
- Замінійте несправні глушники.
- Перед використанням інструмента завжди візуально перевіряйте, щоб ріжуче полотно, болти і деталі ріжучої частини не були зношені або пошкоджені. Замінійте разом зношені або пошкоджені ріжучі полотна і болти, щоб зберегти балансування.
- Регулярно перевіряйте правильність роботи усіх засобів блокування пуску та систем наявності оператора.

Робота

- Не використовуйте інструмент в обмеженому просторі, де може збиратися небезпечний чадний газ.
- Не використовуйте інструмент, якщо відчуваєте втому, захорили або після вживання алкоголю чи лікарських засобів.
- Застереження! Не використовуйте газонокосарку, якщо є небезпека влучення блискавки.
- Рекомендується обмежити тривалість використання для зведення до мінімуму ризиків, пов'язаних із шумом та вібрацією.
- Будьте обережні під час використання газонокосарки на схилах та поблизу обривів, канав та насипів.

- Використовуйте газонокосарку тільки за умов денного світла або при яскравому штучному освітленні.
- За можливості уникайте роботи у мокрій траві.
- Завжди впевнено стійте на похилих поверхнях.
- Ходіть, ніколи не біжіть.
- Під час використання інструментів на колесах пересувайте їх поперек похилої поверхні, а не вгору та вниз.
- Будьте надзвичайно уважними, коли Ви змінюєте напрямок руху інструмента на похилій поверхні.
- Не використовуйте газонокосарку на дуже крутих схилах.
- Будьте надзвичайно уважними, коли Ви розвертаєте газонокосарку або тягнете її на себе.
- Зупиняйте ріжуче(-і) полотно(-а), якщо потрібно нахилити газонокосарку та перенести через ділянку, де не росте газон, або з однієї робочої ділянки на іншу.
- Ніколи не використовуйте газонокосарку із пошкодженими захисними кожухами або без інших захисних пристроїв, наприклад відбивачів та/або травозбірника.
- Застереження: Забороняється використовувати газонокосарку без встановленого травозбірника або самозакривного щитка отвору викиду.
- Не змінюйте налаштування регулятора обертів двигуна і не перевищуйте допустиму швидкість двигуна.
- Не змінюйте та не втручайтеся в роботу будь-яких заблокованих регулювань швидкості двигуна.
- Не дозволяється втручатися в роботу та вимикати системи або засоби безпеки газонокосарки.
- Перед запуском двигуна розблокуйте усі ріжучі полотна та обертальні частини приводного вузла.
- Обережно запускайте двигун згідно з наведеними інструкціями, тримаючи ноги подалі від ріжучого(-их) полотна(-ен).
- Не нахилийте газонокосарку під час запуску двигуна.
- Під час запуску двигуна не стійте напроти жолоба викиду.
- Не наближайте руки та ноги до частин, що обертаються. Завжди тримайтеся на відстані від отвору викиду.
- Ніколи не піднімайте і не переносьте газонокосарку під час роботи двигуна.
- Завжди зупиняйте двигун і від'єднуйте дріт свічки запалювання та перевіряйте, щоб усі рухомі частини повністю зупинилися, а також витягуйте ключ, якщо він використовувався:
 - перед усуненням блокування або видаленням засмічення із жолоба;
 - перед перевіркою та очищенням газонокосарки або проведенням робіт на ній;
 - після зіткнення зі сторонніми предметами.
 Огляньте газонокосарку на наявність пошкоджень, виконайте необхідний ремонт та тільки після цього запустіть інструмент та продовжуйте роботу;
 - якщо газонокосарка починає незвично вібрувати (слід негайно перевірити).
- Завжди зупиняйте двигун і від'єднуйте дріт свічки запалювання та перевіряйте, щоб усі рухомі

частини повністю зупинилися, а також витягуйте ключ, якщо він використовувався:

- коли Ви залишаєте газонокосарку;
 - перед дозаправленням паливом.
- Зменшуйте рівень подачі пального під час зупинення двигуна і, якщо двигун оснащений відсічним клапаном, вимикайте подачу пального наприкінці роботи.
 - Використовуйте газонокосарку тільки за призначенням, тобто для скошування та збирання трави. Використання не за призначенням є небезпечним і може призвести до пошкодження пристрою.

Технічне обслуговування та зберігання

- Щоб гарантувати безпечну роботу інструмента, перевіряйте надійність затягування всіх гайок, болтів та гвинтів.
- Якщо у баку інструмента залишається бензин, не зберігайте інструмент у приміщенні, де випаровування бензину можуть дістатися до відкритого вогню або іскри.
- Перед зберіганням у закритому просторі зачекайте, доки двигун охолоне. Перед зберіганням почистіть та огляньте газонокосарку.
- Щоб зменшити ризик займання, слідкуйте, щоб у двигуні, глушнику, акумуляторному відсіку та у місці зберігання пального не було трави, листя або надлишку мастила.
- Регулярно перевіряйте травозбірник на наявність ознак зношення або пошкодження.
- Щоб забезпечити безпечне використання інструмента, замінійте зношені або пошкоджені деталі.
- Зливати пальне з паливного баку слід поза приміщенням.
- Неналежний догляд, використання невідповідних заміних деталей або знімання чи видозміна елементів забезпечення безпеки можуть призвести до пошкодження газонокосарки та серйозного травмування оператора.
- Використовуйте лише ріжучі полотна та запасні деталі, рекомендовані виробником. Використання деталей від інших виробників може призвести до пошкодження інструменту та травмування операторів. Тримайте газонокосарку у доброму робочому стані.
- Якщо пристрій зупинення ріжучого полотна не працює, зверніться за допомогою до сервісного центра.

Транспортування та переміщення

- Коли пристрій необхідно перемістити, підняти, транспортувати або нахилити, Ви повинні:
 - надягати міцні робочі рукавиці;
 - братися за пристрій у тих місцях, які можуть забезпечити його надійне утримування, урахуовуючи вагу пристрою та її розподіл;
 - залучати необхідну кількість людей відповідно до ваги пристрою та технічних характеристик транспортного засобу або місця, куди пристрій необхідно покласти чи з якого взяти.
- Під час транспортування надійно закріплюйте пристрій за допомогою мотузок або ланцюгів.



УВАГА: Не торкайтеся ріжучого полотна, що обертається.



УВАГА: Заливайте паливе, коли двигун зупинений, і робіть це у місці, яке добре провітрюється.

3. ОПИС ЧАСТИН (Мал. 1)

Включаючи

А: Свічний ключ

4. ТЕХНІЧНІ ДАНІ

| | |
|-------------------------|------------------------------|
| Модель | PLM5600N2 |
| Тип двигуна | Серія B&S 675EXi, ReadyStart |
| Самохідність | Так |
| Робочий об'єм двигуна | 163 см ³ |
| Номинальна потужність | 2,6 кВт |
| Ширина ріжучого полотна | 560 мм |
| Номинальна швидкість | 2800 об/хв |
| Об'єм паливного баку | 1,0 л |
| Об'єм мастильного баку | 0,47 л |
| Об'єм травозбірника | 70 л |
| Вага нетто | 37,2 кг |
| Регулювання висоти | 25–70 мм, 8 положень |

| | |
|---|---|
| Модель | PLM5600N2 |
| Гарантований рівень звукового тиску у місці роботи оператора (згідно EN ISO 5395-1, Додаток F, та EN ISO 5395-2, EN ISO 4871) | 88,5 дБ (А) (K=3 дБ (А)) |
| Вимірний рівень акустичної потужності | 96,3 дБ (А) K=1,86 дБ (А) |
| Гарантований рівень акустичної потужності (згідно 2000/14/ЄС) | 98 дБ (А) |
| Вібрації (згідно EN ISO 5395-1, Додаток G та EN ISO 5395-2) | 7,90 м/с ² K=1,5 м/с ² |

5. ЗБИРАННЯ

5-1 ЗБИРАННЯ СКЛАДАНОЇ РУЧКИ

- Зафіксуйте нижні частини ручки у кріпленнях для ручки за допомогою болтів, шайб та фіксуючих рукояток. (Мал. 2, Мал. 3)
- З'єднайте верхню і нижню ручки за допомогою фіксуючої рукоятки. (Мал. 4, Мал. 5)
- Протягніть кабель уздовж нижньої ручки. Закріпіть його за допомогою затискача для кріплення кабелю та переконайтеся, що він зафіксований із зовнішнього боку ручки. (Мал. 6) Інакше кабель може бути затиснутий задньою кришкою під час її відкривання/закривання.

5-2 НАЛАШТУВАННЯ ПОТРІБНОЇ ВИСОТИ РУЧКИ

- 1) Відкрутіть фіксуючі рукоятки, що кріплять нижню ручку.
- 2) Щоб відрегулювати висоту, пересуньте нижню ручку вгору або вниз. На цій газонокосарці можна налаштувати 3 рівні висоти ручки: у положенні 1 нижня ручка знаходиться якнайвище від землі; у положенні 3 нижня ручка знаходиться якнайнижче від землі відповідно. (Мал. 7)
- 3) Після встановлення нижньої ручки на зручну висоту закріпіть її за допомогою фіксуючої рукоятки. (Мал. 8)

5-3 УСТАНОВЛЕННЯ ТА ЗНІМАННЯ ТРАВОЗБІРНИКА

1. Щоб установити травозбірник: підніміть задню кришку та прикріпіть травозбірник до задньої частини газонокосарки. (Мал. 9, Мал. 10)
2. Щоб зняти травозбірник: візьміться за задню кришку та підніміть її, після чого зніміть травозбірник.

5-4 РУЧКА СТАРТЕРА

Перемістіть ручку стартера від двигуна до фіксатора пускового шнура. (Мал. 11)

5-5 ВИСОТА СКОШУВАННЯ

Натисніть на важіль, щоб витягнути його із зубчастої рейки. Щоб відрегулювати висоту, пересуньте важіль уперед або назад. (Мал. 12 та див. пункт 7-9)

6. ФУНКЦІЇ

Залежно від мети використання ці газонокосарки можуть бути модифіковані у порівнянні з їхніми стандартними функціями:

Газонокосарку із заднім збиранням можна використовувати як:

1. мульчувальну газонокосарку або як
2. газонокосарку із боковим викидом.

Що таке мульчування?
Під час мульчування трава спочатку скошується, а потім подрібнюється і скидається на скошену смужку як природне добриво.

Поради з мульчування:

- Регулярно здійснюйте повторне скошування та зменшуйте висоту трави макс. на 2 см – з 6 см до 4 см.
- Ніж повинен бути гострим.
- Не скошуйте мокру траву.
- Установлюйте двигун на максимальну швидкість.
- Пересувайте газонокосарку лише зі швидкістю ходьби.
- Регулярно чистьте мульчувальний клин, внутрішню сторону корпусу та ріжуче полотно.

Початок роботи

6-1 Трансформування у мульчувальну газонокосарку



УВАГА: Тільки за умови, коли двигун і ріжуче полотно повністю зупинені.

1. Підніміть задню кришку та зніміть травозбірник.
2. Установіть у корпус мульчувальний клин. Закріпіть мульчувальний клин за допомогою кнопки в отворі на корпусі. (Мал. 13, Мал. 14)
3. Знову опустіть задню кришку. (Мал. 15)
4. Підніміть бокову відкидну заслінку та зніміть канал для бокового викиду.

6-2 Підготовка газонокосарки до роботи із боковим викидом



Тільки за умови, коли двигун і ріжуче полотно повністю зупинені!

1. Підніміть задню кришку та зніміть травозбірник.
2. Установіть у корпус мульчувальний клин. Закріпіть мульчувальний клин за допомогою кнопки в отворі на корпусі.
3. Підніміть бокову відкидну заслінку для бокового викиду. (Мал. 16)
4. Приєднайте канал для бокового викиду до опорного пальця бокової відкидної заслінки. (Мал. 17)
5. Опустіть бокову відкидну заслінку – заслінка розташовується на каналі для бокового викиду. (Мал. 18)

6-3 Використання газонокосарки із травозбірником



УВАГА: Тільки за умови, коли двигун і ріжуче полотно повністю зупинені.

Для використання газонокосарки із травозбірником зніміть мульчувальний клин і канал для бокового викиду та установіть травозбірник.

1. Знімання мульчувального клину.
 - Підніміть задню кришку та зніміть мульчувальний клин.
2. Знімання каналу для бокового викиду.
 - Підніміть бокову відкидну заслінку і зніміть канал для бокового викиду.
 - Бокова відкидна заслінка автоматично закрити отвір викиду на корпусі завдяки зусиллю пружини.
 - Регулярно чистіть бокову відкидну заслінку і отвір викиду від залишків трави і налиплого бруду.
3. Установлення травозбірника.
 - Підніміть задню кришку та прикріпіть травозбірник до задньої частини газонокосарки.

7. ІНСТРУКЦІЇ З ЕКСПЛУАТАЦІЇ

7-1 ПЕРЕД ЗАПУСКОМ

Заправляйте двигун бензином і мастилом, як вказано в окремій інструкції з експлуатації двигуна, що входить до комплекту Вашої газонокосарки. Уважно прочитайте інструкції з експлуатації. (Мал. 19, Мал. 20, Мал. 21)



УВАГА: Бензин є легкозаймистою речовиною. Зберігайте паливе у спеціально призначених контейнерах.

Заливайте паливе тільки поза приміщенням та перед запуском двигуна; не паліть під час заправляння та під час роботи з паливом.

Ніколи не знімайте кришку паливного баку і не доливайте бензин під час роботи двигуна або коли двигун гарячий.

Якщо бензин пролився, не намагайтеся запустити двигун, а перемістіть інструмент подалі від цього місця і не створюйте джерела займання, доки випари бензину не розвіються.

Надійно закручіть кришку паливного баку і кришку паливного контейнера.

Перед тим як перевернути газонокосарку, щоб провести роботи на ріжучому полотні або злити мастило, зливайте паливе з баку.



УВАГА: Ніколи не заливайте паливе у паливний бак у приміщенні, а також коли двигун працює або впродовж хоча б 15 хвилин після його роботи.

7-2 ЗАПУСК ДВИГУНА І РОБОТА РІЖУЧОГО ПОЛОТНА

1. На кінці свічки запалювання є гумова частина; переконайтеся, що металева петля на кінці дроту свічки запалювання (усередині гумової частини) надійно зчеплена із металевим кінчиком свічки запалювання.
2. Перед запуском холодного або теплого двигуна пересуньте важіль дроселювання у будь-яке положення між "☁" і "☀". Під час роботи пересуньте важіль дроселювання у положення "☀". (Мал. 22)
3. Станьте позаду пристрою, візьміться за ручку керування гальмами і притисніть її до верхньої ручки, як показано на Мал. 23.
4. Візьміться за ручку стартера, як показано на малюнку Мал. 23, та різко потягніть. Після запуску двигуна повільно поверніть її до болта фіксатора пускового шнура.

Щоб зупинити двигун і ріжуче полотно, відпустіть ручку керування гальмами.



Обережно запустіть двигун згідно з наведеними інструкціями, тримаючи ноги подалі від ріжучого полотна.



Не нахилийте газонокосарку під час запуску двигуна. Запускайте газонокосарку на рівній поверхні без високої трави та будь-яких перешкод.



Руки і ноги слід тримати осторонь від частин, що обертаються. Під час запуску двигуна не стійте навпроти отвору викиду.



ЗАСТЕРЕЖЕННЯ: Ваша газонокосарка призначена для скошування газонної трави висотою не вище 250 мм.

Не намагайтеся скошувати дуже високу суху чи мокру траву (наприклад, на лузі) або збирати купи сухого листа. Залишки можуть накопичуватися на корпусі газонокосарки або потрапити до вихлопного отвору двигуна, що може призвести до пожежі.

7-3 ПРОЦЕДУРА ЕКСПЛУАТАЦІЇ

Під час роботи міцно тримайте ручку керування гальмами обома руками.



Примітка: Якщо під час роботи відпустити ручку керування гальмами, двигун зупиниться та газонокосарка припинить працювати.



Увага: Для запобігання ненавмисному запуску газонокосарки її обладнано гальмом двигуна, який треба відтягнути, перш ніж запускати двигун. Коли відпускається ручка керування двигуном, вона має повернутись до початкового положення, і тоді двигун автоматично вимкнеться.



Примітка: Гальмо двигуна (ручка гальма): Використовуйте важіль для зупинки двигуна. Коли відпускається важіль, двигун та ріжуче полотно автоматично зупиняються. Для скошування трави тримайте важіль у робочому положенні. Перш ніж починати скошування, декілька разів перевірте важіль пуску/зупинки, щоб переконатись у належній роботі. Перевірте плавність ходу натяжного кабелю (тобто, він не повинен жодним чином чіплятися або перекручуватися).

7-4 ЗУПИНЕННЯ ДВИГУНА



ЗАСТЕРЕЖЕННЯ: Після зупинення двигуна ріжуче полотно продовжуватиме обертатися декілька секунд.

1. Щоб зупинити двигун і ріжуче полотно, відпустіть ручку керування гальмами. **(Мал. 24)**
2. Щоб попередити випадковий запуск двигуна, коли інструмент залишається без нагляду, від'єднайте дріт свічки запалювання та покладіть його на землю, як вказано в окремій інструкції з експлуатації двигуна.

7-5 НАЛАШТУВАННЯ САМОСТІЙНОГО РУХУ

Газонокосарку оснащено системою регулювання швидкості, яка дозволяє вибрати 3 швидкості від 3,0 км/год до 4,5 км/год.

Положення "☁": найнижча швидкість; положення "☀": найвища швидкість. **(Мал. 25)**

Щоб налаштувати потрібну швидкість, виконайте такі кроки:

1. Відпустіть ручку керування самостійним рухом, щоб газонокосарка перестала рухатися уперед.
2. Налаштуйте потрібну швидкість.
3. Вижміть ручку керування самостійним рухом, щоб продовжити скошування. **(Мал. 26)**

7-6 ПОРАДИ ЩОДО ЕФЕКТИВНОГО СКОШУВАННЯ

Очистіть газон від сміття. Перевірте, щоб на газоні не було каміння, гілок, дротів ті інших сторонніх предметів, які газонокосарка може відкинути у будь-якому напрямку і які можуть травмувати оператора та інших людей, а також зашкодити майну й навколишньому оточенню. Не скошуйте мокру траву. Щоб робота була ефективною, не скошуйте мокру траву, тому що вона налипає на дно корпусу та заважає належному скошуванню. Скошуйте траву не більше, ніж на 1/3 її довжини. Скошувати траву рекомендується не більше, ніж на 1/3 довжини. Слід належним чином відрегулювати швидкість пересування, щоб настриг рівномірно розсіювався газоном. Для особливо важкого скошування густої трави краще працювати на низькій швидкості, щоб трава на ділянці була рівномірно скошена. Високу траву краще скошувати за два рази, опустивши під час другого скошування ріжуче полотно ще на 1/3 висоти й змінивши напрям пересування. Під час кожного наступного прогону частково перекривайте попередній прогін, щоб на газоні не залишилось окремих бадиллин трави. Газонокосарка повинна завжди працювати із максимальною подачею пального, щоб скошування було максимально ефективним. Чистьте дно корпусу. Після кожного використання чистьте дно корпусу, щоб уникнути налипання трави, яке може стати причиною неякісного м'яльчання. Збирання листа. Можливо, у Вас також з'явиться необхідність зібрати листя на газоні. Перед збиранням листя переконайтеся, що воно сухе та лежить не занадто товстим шаром. Не чекайте, доки опаде все листя з дерев.



УВАГА: Якщо газонокосарка зачепить сторонній предмет, зупиняйте двигун. Від'єднайте дріт від свічки запалювання, уважно обстежуйте газонокосарку на наявність пошкоджень та лагодьте її перед наступним використанням. Сильна вібрація під час роботи газонокосарки є ознакою її пошкодження. Пристрій слід негайно обстежити й полагодити.

7-7 ТРАВАЗБІРНИК

На задній кришці розташоване прозоре віконце, яке дозволяє бачити стан заповнення травозбірника травою.

Якщо травозбірник заповнений травою, спорожніть та ретельно вичистіть його, а також переконайтеся, що він чистий та його сітчаста структура вентилюється. **(Мал. 27)**

7-8 КОРПУС

Чистьте дно корпусу після кожного використання газонокосарки, щоб запобігти налипанню трави, листя, бруду тощо. Накопичення таких залишків призведе до появи іржі та корозії, а також завадить належному мульчуванню. Корпус можна почистити, перевернувши газонокосарку і відскобливши дно придатним для цього інструментом (перевірте, щоб дрят свічки запалювання був від'єднаний).

7-9 ІНСТРУКЦІЇ ЩОДО НАЛАШТУВАННЯ ВИСОТИ



ЗАСТЕРЕЖЕННЯ: Категорично забороняється виконувати будь-які налаштування газонокосарки, не зупинивши двигун та не від'єднавши дрят свічки запалювання.



ЗАСТЕРЕЖЕННЯ: Перед зміною висоти скошування зупиняйте газонокосарку та від'єднайте дрят свічки запалювання.

Ваша газонокосарка оснащена центральним важелем регулювання висоти, за допомогою якого Ви можете обрати будь-яке із 8 положень.

1. Перед зміною висоти скошування зупиніть газонокосарку та від'єднайте дрят свічки запалювання.
2. За допомогою важеля регулювання висоти Ви можете обрати будь-яке із 8 положень.

Щоб змінити висоту скошування, натисніть на важіль регулювання у напрямку колеса та оберіть потрібну висоту, пересуваючи його вгору або вниз.

Усі колеса будуть налаштовані на однакову висоту скошування. (Мал. 28)

8. ІНСТРУКЦІЇ ЩОДО ТЕХНІЧНОГО ОБСЛУГОВУВАННЯ

СВІЧКА ЗАПАЛЮВАННЯ

Для заміни використовуйте тільки оригінальні свічки запалювання. Для отримання найкращих результатів замінійте свічку запалювання через кожні 100 годин роботи.

ГАЛЬМОВІ НАКЛАДКИ

Регулярно перевіряйте та/або замінійте гальмові накладки у сервісному центрі та використовуйте лише оригінальні частини.

9. ІНСТРУКЦІЇ ЩОДО ЗМАЩУВАННЯ



ЗАСТЕРЕЖЕННЯ: ПЕРЕД ПРОВЕДЕННЯМ РОБІТ ІЗ ТЕХНІЧНОГО ОБСЛУГОВУВАННЯ ВІД'ЄДНУЙТЕ СВІЧКУ ЗАПАЛЮВАННЯ.

1. КОЛЕСА – Змащуйте шарикопідшипники у кожному колесі легким мастилом хоча б один раз на сезон.

2. ДВИГУН – Дотримуйтеся інструкції з експлуатації двигуна стосовно його змащування.

10. ЧИЩЕННЯ



ЗАСТЕРЕЖЕННЯ: Не поливайте двигун зі шланга. Вода може пошкодити двигун або забруднити паливну систему.

1. Витирайте корпус сухою ганчіркою.
2. Мийте зі шланга дно корпусу, перевернувши газонокосарку таким чином, щоб свічка запалювання знаходилася вгорі.

10-1 ПОВІТРООЧИСНИК ДВИГУНА



ЗАСТЕРЕЖЕННЯ: Слідкуйте за тим, щоб фільтруючий елемент повітряного фільтра не засмітився брудом та пилом. Повітроочисник двигуна треба обслуговувати (чистити) після кожних 25 годин звичайної роботи. Фільтруючий елемент треба обслуговувати регулярно, якщо газонокосарка використовується у сухому пильному середовищі.

ЧИЩЕННЯ ПОВІТРЯНОГО ФІЛЬТРА

1. Підніміть лапку на кришці фільтра. (Мал. 29)
2. Зніміть кришку фільтра.
3. Помийте фільтруючий елемент у мильній воді. **НЕ ВИКОРИСТОВУЙТЕ БЕНЗИН!**
4. Висушіть фільтруючий елемент на повітрі.
5. Налийте декілька крапель мастила SAE30 на фільтруючий елемент і міцно стисніть його, щоб видалити надлишок мастила.
6. Установіть фільтр.
7. Закрийте кришку фільтра.

ПРИМІТКА: Замінійте фільтр, якщо він зносився, порвався, зазнав пошкоджень або його неможливо вимити.

10-2 РІЖУЧЕ ПОЛОТНО



ЗАСТЕРЕЖЕННЯ: Перед проведенням робіт на ріжучому полотні, щоб попередити випадковий запуск двигуна, від'єднайте й покладіть на землю дрят свічки запалювання. Надягніть товсті рукавиці або скористайтеся товстою тканиною, щоб взятися за ріжуче полотно. Нахиліть газонокосарку, як вказано в інструкції з експлуатації двигуна. Зніміть болт із шестигранною головкою і шайбу, які приєднують ріжуче полотно та адаптер ріжучого полотна до колінчатого валу двигуна. Від'єднайте ріжуче полотно та адаптер ріжучого полотна від колінчатого валу двигуна.



УВАГА: Періодично оглядайте адаптер ріжучого полотна на наявність тріщин, особливо якщо газонокосарка зачепила сторонній предмет. Замініть його, якщо це необхідно. Для досягнення найкращих результатів ріжуче полотно повинно бути гострим. Ріжуче полотно можна нагострити; для цього його треба зняти і наточити або

відшліфувати ріжучий край, намагаючись зберегти первинний кут. Надзвичайно важливо рівномірно нагострити кожний ріжучий край, щоб не порушити балансування ріжучого полотна. Порушення балансування ріжучого полотна може призвести до надмірної вібрації та пошкодження двигуна і газонокосарки. Перевіряйте точність балансування ріжучого полотна після нагострення. Балансування ріжучого полотна можна перевірити за допомогою викрутки з круглим перерізом. Знімайте метал із важкої сторони, доки не буде встановлена рівновага. (Мал. 30)

Перед приєднанням ріжучого полотна і адаптера ріжучого полотна до пристрою колінчатий вал двигуна та внутрішню поверхню адаптера ріжучого полотна слід змастити легким мастилом. Приєднайте адаптер ріжучого полотна до колінчатого валу. Див. Мал. 30. Розташуйте ріжуче полотно таким чином, щоб номер деталі знаходився із протилежного боку від адаптера. Сумістіть шайбу із ріжучим полотном і вставте болт із шестигранною головкою. Затягніть болт із шестигранною головкою із моментом затягування, зазначеним нижче.

10-3 МОМЕНТ ЗАТЯГУВАННЯ РІЖУЧОГО ПОЛОТНА

Задля безпечної роботи Вашого пристрою відцентруйте болт із моментом затягування 40 Нм – 50 Нм. Треба періодично перевіряти, чи затягнені УСІ гайки і болти належним чином.

Після тривалого використання, особливо в умовах піщаного ґрунту, ріжуче полотно зношується і втрачає первинну форму. Ефективність скошування зменшується і з'являється потреба в заміні ріжучого полотна. Замініть тільки ріжучим полотном, виготовленим на рекомендованому заводі. Виробник не несе відповідальності за можливі пошкодження внаслідок відсутності балансування ріжучого полотна. Під час заміни установлюйте тільки оригінальне ріжуче полотно з маркуванням (МАКІТА 263001171) (щоб замовити таке ріжуче полотно, зверніться до місцевого дилера або зателефонуйте до нашої компанії (див. титульну сторінку)).

10-4 ДВИГУН

Інформацію щодо технічного обслуговування двигуна можна прочитати в окремій інструкції з експлуатації двигуна.

Змащуйте двигун згідно з інформацією, вказаною в окремій інструкції з експлуатації двигуна, яка входить до комплекту Вашого пристрою. Уважно прочитайте інструкції та дотримуйтеся їх.

За звичайних умов використання проводить технічне обслуговування повітроочисника згідно з інформацією, вказаною в окремій інструкції з експлуатації двигуна. У разі використання в дуже запиленому середовищі чистьте його кожні декілька годин роботи. Неналежна робота двигуна та заливання карбюратора зазвичай означає, що необхідно провести технічне обслуговування повітроочисника.

Інформацію щодо технічного обслуговування повітроочисника можна прочитати в інструкції з експлуатації двигуна, що входить до комплекту Вашого пристрою.

Свічку запалювання слід прочищати та зазор між електродами слід установлювати один раз на сезон. Свічку запалювання рекомендується замінювати на початку кожного сезону роботи; правильний тип свічки і характеристики зазору між електродами можна подивитися в інструкції з експлуатації двигуна. Регулярно протирайте двигун тканиною або чистьте щіткою. Тримайте чистою охолоджувальну систему (блок вентилятора) для забезпечення належної циркуляції повітря, оскільки це необхідно для високої продуктивності та тривалої експлуатації двигуна. Перевіряйте, щоб з глушника була видалена вся трава, бруд і займисті залишки.

11. ІНСТРУКЦІЇ ЗІ ЗБЕРІГАННЯ (ПІСЛЯ ЗАКІНЧЕННЯ СЕЗОНУ)

Щоб підготувати газонокосарку для зберігання, слід виконати дії, зазначені нижче.

1. Спорожніть бак після останнього скошування у сезон.
 - a) Зробіть це за допомогою відсмоктувального насосу.



ЗАСТЕРЕЖЕННЯ: Не зливайте бензин у зачинених приміщеннях, поблизу відкритого вогню тощо. Не паліть! Випари бензину можуть спричинити вибух або пожежу.

- b) Запустіть двигун і залиште його працювати, доки не буде використаний увесь бензин, що залишився, і двигун не зупиниться.
 - c) Зніміть свічку запалювання. За допомогою ручної маслянки налійте приблизно 20 мл мастила у камеру згоряння. Запустіть стартер, щоб рівномірно розподілити мастило по камері згоряння. Установіть свічку запалювання.
2. Ретельно почистіть та змастіть газонокосарку, як вказано в розділі "ІНСТРУКЦІЇ ЩОДО ЗМАЩУВАННЯ".
 3. Злегка змажте ріжуче полотно, щоб уникнути корозії.
 4. Зберігайте газонокосарку у сухому, чистому, захищеному від морозу приміщенні подалі від сторонніх осіб.



ЗАСТЕРЕЖЕННЯ: Газонокосарку ставити на зберігання слід тільки після того, як двигун повністю охолоне.



ПРИМІТКА:

- Під час зберігання будь-якого обладнання у неventильованому приміщенні або у приміщенні, призначеному для зберігання матеріалів.
- Вживайте відповідних заходів, щоб захистити обладнання від корозії. Покривайте обладнання, особливо кабелі та усі рухомі частини, легким мастилом або силіконом.
- Не згинайте та не перекручуйте кабелі.

- Якщо пусковий шнур від'єднався від фіксатора пускового шнура на ручці, від'єднайте і помістіть на землю дріт свічки запалювання, послабте ручку керування ріжучим полотном і повільно витягніть пусковий шнур із двигуна. Засуньте пусковий шнур у болт фіксатора пускового шнура на ручці.

Транспортування

Вимкніть двигун і дайте йому охолонути. Потім від'єднайте дріт свічки запалювання і спорожніть паливний бак відповідно до інструкції з експлуатації двигуна. Не погніть і не пошкодуйте ріжуче полотно під час пересування газонокосарки через перешкоди.

12. УСУНЕННЯ НЕСПРАВНОСТЕЙ

| ПРОБЛЕМА | МОЖЛИВА ПРИЧИНА | ЗАХОДИ З УСУНЕННЯ НЕСПРАВНОСТІ |
|---|---|---|
| Двигун не запускається. | Важіль дроселювання знаходиться у неправильному положенні для робочих умов. | Пересуньте важіль дроселювання у правильне положення. |
| | Паливний бак порожній. | Наповніть бак паливом: зверніться до ІНСТРУКЦІЇ З ЕКСПЛУАТАЦІЇ ДВИГУНА. |
| | Повітроочисник забруднений. | Почистіть повітроочисник: зверніться до ІНСТРУКЦІЇ З ЕКСПЛУАТАЦІЇ ДВИГУНА. |
| | Свічка запалювання послаблена. | Затягніть свічку запалювання із моментом затягування у 25–30 Нм. |
| | Дріт свічки запалювання послаблений або від'єднався від свічки. | Під'єднайте дріт до свічки запалювання. |
| | Неправильний зазор між електродами свічки запалювання. | Установіть зазор між електродами від 0,7 мм до 0,8 мм. |
| | Свічка запалювання пошкоджена. | Установіть нову свічку із правильним зазором між електродами: зверніться до ІНСТРУКЦІЇ З ЕКСПЛУАТАЦІЇ ДВИГУНА. |
| | Карбюратор заповнений паливом. | Зніміть повітроочисник і тягніть пусковий шнур доти, доки карбюратор не звільниться від пального, а потім установіть повітроочисник на місце. |
| Двигун важко запускається або втрачає потужність. | Пошкодження в модулі запалювання. | Зверніться до сервісного агента. |
| | У паливному баку бруд, вода або пальне низької якості. | Злийте пальне та почистіть бак. Заповніть бак чистим свіжим паливом. |
| | Вентиляційний отвір у кришці паливного баку забруднений. | Почистіть або замініть кришку паливного баку. |
| Двигун працює нерівномірно. | Повітроочисник забруднений. | Почистіть повітроочисник. |
| | Свічка запалювання пошкоджена. | Установіть нову свічку із правильним зазором між електродами: зверніться до ІНСТРУКЦІЇ З ЕКСПЛУАТАЦІЇ ДВИГУНА. |
| | Неправильний зазор між електродами свічки запалювання. | Установіть зазор між електродами від 0,7 мм до 0,8 мм. |
| Неналежний холостий хід двигуна. | Повітроочисник забруднений. | Почистіть повітроочисник: зверніться до ІНСТРУКЦІЇ З ЕКСПЛУАТАЦІЇ ДВИГУНА. |
| | Отвори для повітря у кожусі двигуна заблоковані. | Почистіть отвори від сміття. |
| | Охолоджувальні пластини і проходи для повітря під корпусом вентилятора двигуна заблоковані. | Очистіть охолоджувальні пластини і проходи для повітря від сміття. |
| Двигун перескакує на високу швидкість. | Зазор між електродами свічки запалювання замалий. | Установіть зазор між електродами від 0,7 мм до 0,8 мм. |
| Двигун перегрівається. | Обмежений потік охолоджувального повітря. | Очистіть отвори у кожусі двигуна, корпус вентилятора та проходи для повітря від сміття. |
| | Неправильна свічка запалювання. | Установіть на двигун оригінальну свічку запалювання та охолоджувальні пластини. |
| Газонокосарка незвично вібує. | Ріжуче полотно не затягнуте. | Затягніть ріжуче полотно. |
| | Ріжуче полотно не збалансоване. | Збалансуйте ріжуче полотно. |

13. ДОВКІЛЛЯ

Якщо після тривалого використання Вам потрібний новий інструмент, не викидайте старий із домашнім сміттям, а здайте його на утилізацію безпечним для довкілля способом.

14. ДЕКЛАРАЦІЯ ПРО ВІДПОВІДНІСТЬ СТАНДАРТАМ ЄС

Тільки для країн Європи

Декларація про відповідність стандартам ЄС включена до додатку А цієї інструкції з експлуатації.

Makita Europe N.V. Jan-Baptist Vinkstraat 2,
3070 Kortenberg, Belgium

Makita Corporation 3-11-8, Sumiyoshi-cho,
Anjo, Aichi 446-8502 Japan