



# TOPCOM®

## Twintalker 5400

**USER GUIDE**  
**HANDLEIDING**  
**MANUEL D'UTILISATEUR**  
**BEDIENUNGSANLEITUNG**  
**MANUAL DE USUARIO**  
**BRUKSANVISNING**  
**BRUGERVEJLEDNING**  
**ANVÄNDARHANDBOK**  
**KÄYTTÖOHJE**  
**MANUALE D'USO**  
**MANUAL DO UTILIZADOR**  
**UŽIVATELSKÁ PŘÍRUČKA**  
**Οδηγίες Χρήσης**  
**INSTRUKCJA OBSŁUGI**  
**UŽIVATEL'SKÝ MANUÁL**

V1.0 - 08/11



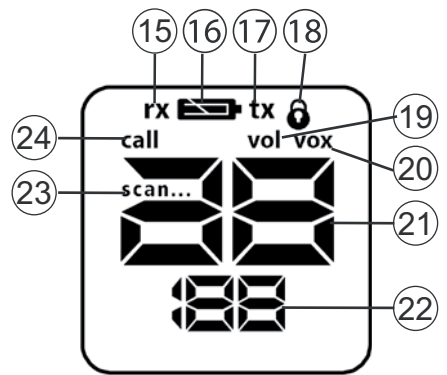
UK	The CE symbol indicates that the unit complies with the essential requirements of the R&TTE directive.
NL	Het toestel voldoet aan de basiseisen van de R&TTE-richtlijn. Dit wordt bevestigd door de CE-markering.
FR	La conformité de l'appareil avec les exigences fondamentales de la directive européenne R&TTE relative aux terminaux, est confirmée par le label CE.
DE	Die Übereinstimmung des Gerätes mit den grundlegenden Anforderungen der R&TTE-Directive ist durch das CE-Kennzeichen bestätigt.
ES	El sello CE corrobora la conformidad del equipo con los requerimientos básicos de la directiva R&TTE.
SE	CE-märket bekräftar att apparaten uppfyller de grundläggande kraven i R&TTE direktivet.
DK	CE-mærkningen bekræfter, at produktet er i overensstemmelse med kravene i Rådets teleterminaldirektiv.
NO	CE-merkingen dokumenterer at apparatet er i samsvar med de grunnleggende kravene til EU-direktivet for aktivt telekommunikasjonsutstyr.
FI	Laite noudattaa R&TTE-direktiivin vaatimuksia, mikä on vahvistettu CE-merkillä.
IT	Il simbolo CE indica che l'unità è conforme ai requisiti fondamentali della direttiva R&TTE.
PT	O símbolo CE indica que esta unidade cumpre com os requisitos essenciais da directiva R&TTE.
CZ	Symbol CE znamená, že jednotka splňuje základní požadavky směrnice R&TTE.
GR	Το σύμβολο CE δείχνει ότι η μονάδα συμμορφώνεται με τις βασικές απαιτήσεις της οδηγίας R&TTE.
PL	Symbol CE oznacza, że urządzenie spełnia istotne wymogi dyrektywy R&TTE.
SK	Symbol CE označuje, že jednotka súhlasí s hlavnými požiadavkami R&TTE smernice.

UK	The features described in this manual are published with reservation to modifications.
NL	De in deze handleiding beschreven mogelijkheden worden gepubliceerd onder voorbehoud van wijzigingen.
FR	Les possibilités décrites dans ce manuel sont publiées sous réserve de modifications.
DE	Die in dieser Bedienungsanleitung umschriebenen Möglichkeiten, werden vorbehaltlich Änderungen publiziert.
ES	Las características descritas en este manual pueden ser objeto de futuras modificaciones.
SE	Funktionerna i denna bruksanvisning publiceras med reservation för ändringar.
DK	Vi forbeholder os retten til ændringer af de specifikationer, der er beskrevet i denne brugsanvisning.
NO	Funksjoner beskrevet i denne manualen kan endres uten nærmere informasjon.
FI	Tässä ohjekirjassa julkaissut tiedot voivat muuttua ilman ennakoilmoitusta.
IT	Le caratteristiche descritte nel presente manuale vengono pubblicate con riserva di modifica.
PT	As características descritas neste manual são publicadas sob reserva de modificação.
CZ	Možnost úpravy funkcí popsanych v této příručce vyhrazena.
GR	Οι λειτουργίες που περιγράφονται στο παρόν εγχειρίδιο, δημοσιεύονται με επιφύλαξη τυχόν τροποποιήσεων.
PL	Właściwości opisane w niniejszej instrukcji obsługi są publikowane z zastrzeżeniem prawa wprowadzenia zmian.
SK	Vlastnosti popísané v tejto príručke sú publikované s vyhradeným právom na zmenu.

Illustration 1



Illustration 2



## 1 Introduction

Thank you for purchasing the Twintalker 5400. It's a long range, low powered radio communication device with a range of maximum 10 Km. It has no running costs other than the minimal cost of re-charging the batteries. The Twintalker operates on 8 channels.

### 1.1 Intended purpose

It can be used for recreational purposes. For example: to keep in contact during travelling with 2 or more cars, biking, skiing. It can be used to keep in contact with your children when they are playing outside, etc...

## 2 CE Mark

The CE symbol on the unit, user guide and giftbox indicates that the unit complies with the essential requirements of the R&TTE directive 1995/5/EC.

## 3 Safety instructions

### 3.1 General

Please read carefully through the following information concerning safety and proper use. Make yourself familiar with all functions of the device. Keep this manual in a safe place for future use.

### 3.2 Burning injuries

- If the cover of the antenna is damaged, do not touch because when an antenna comes in contact with the skin, a minor burn may result when transmitting.
- Batteries can cause property damage such as burns if conductive material such as jewellery, keys or beaded chains touches exposed terminals. The material may complete an electrical circuit (short circuit) and become quite hot. Exercise care in handling any charged battery, particularly when placing it inside a pocket, purse or other container with metal objects.

### 3.3 Injuries

- Do not place your device in the area over an air bag or in the air bag deployment area. Air bags inflate with great force. If a PMR is placed in the bag deployment area and the air bag inflates, the communicator may be propelled with great force and cause serious injury to the occupants of the vehicle.
- Keep the PMR at least 15 centimetres away from a pacemaker.
- Turn your PMR OFF as soon as interference is taking place with medical equipment.

### 3.4 Danger of explosion

- Do not replace batteries in a potentially explosive atmosphere. Contact sparking may occur while installing or removing batteries and cause an explosion.
- Turn your PMR off when in any area with a potentially explosive atmosphere. Sparks in such areas could cause an explosion or fire resulting in bodily injury or even death.
- Never throw batteries in fire as they may explode.



Areas with potentially explosive atmospheres are often, but not always, clearly marked. They include fuelling areas such as below deck on boats, fuel or chemical transfer or storage facilities; areas where the air contains chemicals or particles, such as grain, dust or metal powders; and any other area where you would normally be advised to turn off your vehicle engine.

### 3.5 Poisoning danger

- Keep batteries away from small children.

### 3.6 Legal

- In some countries it is prohibited to use your PMR while driving a vehicle. In this case leave the road before using the device.
- Turn your PMR OFF when on board an aircraft when instructed to do so. Any use of the PMR must be in accordance with airline regulations or crew instructions.
- Turn your PMR OFF in any facilities where posted notices instruct you to do so. Hospitals or health care facilities may be using equipment that is sensitive to external RF energy.
- Replacing or modifying the antenna may affect the PMR radio specifications and violate the CE regulations. Unauthorised antennas could also damage the radio.

### 3.7 Notes

- Do not touch the antenna while transmitting, it could affect the range.
- Remove the batteries if the device is not going to be used for a long period.

## 4 Cleaning and maintenance

- To clean the unit, wipe with a soft cloth dampened with water. Don't use a cleaner or solvents on the unit; they can damage the case and leak inside, causing permanent damage.
- Battery contacts may be wiped with a dry lint-free cloth.

## 5 Disposal of the device (environment)



At the end of the product lifecycle, you should not throw this product into the normal household garbage but bring the product to a collection point for the recycling of electrical and electronic equipments. The symbol on the product, user guide and/or box indicate this.

Some of the product materials can be re-used if you bring them to a recycling point. By re-using some parts or raw materials from used products you make an important contribution to the protection of the environment. Please contact your local authorities in case you need more information on the collection points in your area.

## 6 Using a PMR device

To communicate between PMR devices they need to be set all on the same channel and sub-channel (CTCSS/DCS) and within receiving range (up to max 10 km in open field). Since these devices use free frequency bands (channels), all devices in operation share these channels (total 8 channels - Annex A). Therefore, privacy is not guaranteed. Anybody with a PMR set to your channel can overhear the conversation. If you want to communicate (transmitting a voice signal) you need to press the PTT-key (13). Once this key pressed, the device will go into transmit mode and you can speak into the microphone. All other PMR devices in range, on the same channel and in standby mode (not transmitting) will hear your message. You need to wait until the other party stops transmitting before you can reply to the message. At the end of each transmission the unit will send a beep if the Roger Beep is enable (See chapter "12.12 Roger Beep On/Off"). To reply, just press the PTT-key (14) and speak into the microphone.



If 2 or more users press the PTT- key (13) at the same time the receiver will receive only the strongest signal and the other signal(s) will be suppressed. Therefore you should only transmit a signal (press PTT-key (13)) when the channel is free.



The range of radio waves is strongly affected by obstacles such as buildings, concrete/metal structures, the unevenness of the landscape, woodland, plants, ... This implies that the range between two or more PMR's may in some extreme cases be restricted to a maximum of a few tens of meters. You will soon notice that PMR works best when there is a minimum of obstacles between users.

## 7 Included in the package

- 2 x Twintalker 5400
- 1 x Duo charger
- 1 x Power adapter
- 2 x NiMH battery pack
- 2 x Belt clip
- User guide

## 8 Getting started

### 8.1 Installing / Removing the belt clip

1. To remove the belt clip from the unit, push the belt clip (B) towards the antenna, while pulling the clip tab (A).
2. When re-installing the belt clip, a click indicates that the belt clip is locked into position.



### 8.2 Installing the batteries

1. Open the battery compartment. Push the latch (C) downwards.
2. Put in the battery. The battery pack label will indicate the correct position of the battery.
3. Before closing the battery door, check the rubber seal around the battery compartment. Make sure that the seal is in good condition and that there is no foreign matter under the seal.
4. Close the battery compartment door and lock the battery door by using the latch.

## 9 Charging the batteries

The desktop charger provides drop-in charging convenience.

1. Put the desktop charger on a flat surface.
2. Plug one end of the supplied adapter into an easy accessible electric socket and the other end into the connector on the backside of the desktop charger.
3. Make sure that the radio is turned OFF.
4. Put the radio in the charger.
5. The charging LED will turn on if it's properly inserted and charging.

It will take about 16 hours to fully charge the Ni-Mh battery.



Do not short-circuit the batteries or dispose in fire. Remove the batteries if this device is not going to be used for a long period.  
Do not charge non rechargeable batteries like Alkaline batteries in the charger. This might damage the PMR's and charger unit.

## 10 Description

See folded cover page - illustration 1

1. Antenna
2. LCD display
3. Optional headset connector
4. Optional charger connector
5. On/Off- / Menu key
6. Speaker volume up
7. Speaker volume down
8. Microphone
9. Speaker
10. Call / Key lock key
11. Channel down
12. Channel up
13. Monitor key
14. PTT-key

## 11 LCD display information

See folded cover page - illustration 2

15. RX icon
16. Battery level indication
17. TX icon
18. Keylock icon
19. Volume icon
20. Vox icon
21. Channel indication
22. Sub channel indication
23. Scan icon
24. Call icon

## 12 Using the Twintalker 5400



If the segments and icons of the displays are shown in light grey in this user guide, it indicates that they are blinking.

### 12.1 Turning the Unit ON/OFF



- To turn ON:
- Press and hold the - key for 2 seconds. The unit will "beep" and the LCD display will display the current channel.
- To switch OFF:
- Press and hold the - key for 2 seconds. The unit will "beep" and the LCD display will turn blank.

### 12.2 Battery Charge Level / Low Battery Indication

The battery charge level is indicated by the battery icon on the LCD Screen.



- Battery full
- Battery low
- Battery almost empty



When the battery is almost empty, the unit will turn OFF automatically after 30 seconds.

### 12.3 Adjusting Speaker Volume

There are 8 speaker volume levels (0..7)



- Press the - key in stand-by-mode to increase the speaker volume. The volume level is displayed.
- Press the - key to decrease the speaker volume.
- After 5 seconds, the unit will go back to idle status.

### 12.4 Receiving a signal

The unit is continuously in the receive mode when the unit is switched ON and not transmitting.



In order for other people to receive your transmission, they must also be on the same channel and have set the same sub-channel (Chapter 12.6 and 12.7).

### 12.5 Transmitting a signal



- Press and hold the PTT - key to transmit. The TX symbol is displayed.
- Hold the unit in a vertical position with the microphone 10cm from the mouth and speak into the microphone .
- Release the PTT - key when you want to stop transmitting.

### 12.6 Changing channels



- Use the - key or the - key to go to a higher or lower channel.
- Press the PTT - key to confirm

### 12.7 Sub -channels : CTCSS (Continuous Tone Coded Squelch System) / DCS (Digital Coded Squelch)

License free PMR radio's operating on the 446 MHz frequency band, have 8 available radio channels. If there are many PMR users in your neighborhood, there is a chance that some of these users are operating on the same radio channel.

To prevent that you receive signals from other users, sub-channels have been integrated.

Two PMR radio's will only be able to communicate with each other when they are operating on the same radio channel and when they have selected exactly the same sub-channel.

There are two kind of sub-channels :

- Continuous Tone Coded Squelch System (CTCSS)
- Digital Coded Squelch (DCS)

When using CTCSS, a low frequency tone (between 67 and 250 Hz) will be transmitted along with the voice signal. There are 38 available tones to choose from. You are free to choose one of these 38 available tones. Due to filtering, these tones will generally not be audible so they will not disturb the communication.

DCS is similar to CTCSS, but instead of sending a continuous tone of a selected frequency, a digital data transmission is added to the radio signal. This Digital Code is transmitted at a really low rate, around 134 bits per second (the code is 23 bits long). Only the PMR's of the latest generation will support DCS. There are 83 available DCS codes that can be used. Since earlier models will only support CTCSS it will be better to use DCS to prevent that other users will be audible during your PMR conversations.

### 12.7.1 Changing sub-channels



- Press the - key **5** : The current selected sub-channel (or "oF" in case of no sub-channel) will blink.
- Use the **CH▲** - key **12** or the **CH▼** - key **11** to select the desired sub-channel:
  - 1..38: CTCSS code (1...38)
  - 39..121: DCS code (1...83)
- Press the **PTT** - key **14** to confirm



**Annex B will show all detailed information about the CTCSS and DCS sub-channel codes.**

### 12.8 Making a call



When you press the - key **10** you will transmit a call tone to the other users on the same channel/sub-channel.  
This will indicate that you want to start a conversation.

- Press the - key **10**



There are 5 different call tones. You can select a call tone in the menu:

- Press the - key **5** four times
- Use the **CH▲** - key **12** or the **CH▼** - key **11** to select the call tone
- Press the **PTT** - key **14** to confirm.

### 12.9 Monitor

You can use the monitor function to check for weaker signals in the current channel.

- Press the **MON** - key **13** to start monitoring.
- If you hold this key for more than 3 seconds, the radio will go into continuous monitoring mode.
- Press the key again to disable the monitor function.

### 12.10 Channel Scan

Channel scan performs a search for active signals in an endless loop from channel 1 to 8.

Once an active channel is found, the scanning will stop so you can listen to the conversation.

If there is no more activity on the found channel, the scanning will resume after two seconds.

If you press the **PTT** - key **14** on the found channel, the scan function will end and the radio will remain on this channel.



- Press the - key **5** two times
- Use the **CH▲** - key **12** or the **CH▼** - key **11** to select Y for scanning
- Press the - key **5** to confirm : Scanning will begin
- The scanning will stop once the **PTT** - key **14** is pressed.

### 12.11 VOX

When the optional headset (without PTT-key) is connected, the voice activated transmission function (VOX) can be used.

This way, the user does not need to press the PTT button to start transmitting. The Twintalker 5400 will start transmitting when you start talking into the microphone of the headset.



- Press the - key **5** three times
- Use the **CH▲** - key **12** or the **CH▼** - key **11** to select the VOX level or oF to disable VOX. (there are 5 VOX levels)
  - Level 1 : Highest sensitive for quite environments
  - ...
  - Level 5 : Lowest sensitivity for noisy environments
- Press the **PTT** - key **14** to confirm

### 12.12 Roger Beep On/Off

After the **PTT** - key **14** is released, the unit will send out a roger beep to confirm that you have stopped talking.



The Roger Beep can be switched On or Off:

- Press the the - key **5** five times
- Use the **CH▲** - key **12** or the **CH▼** - key **11** to enable (Y) or disable (n) the Roger Beep
- Press the **PTT** - key **14** to confirm

### 12.13 Key Beep On/Off

When a key is pressed, a tone can be heard.



The key beep can be switched On or Off:

- Press the - key **5** six times
- Use the **CH▲** - key **12** for the **CH▼** - key **11** to enable (Y) or disable (n) the key tone
- Press the **PTT** - key **14** to confirm

### 12.14 Key lock



- Press and hold the - key **10** for three seconds to activate/deactivate the key lock function.



**When key lock is enabled, the PTT - key **14**, the volume control-keys, the monitor-key (MON) and the call-key the will still be operational. All other keys are locked.**

## 13 Warranty

### 13.1 Warranty period

The devices have a 24-month warranty period. The warranty period starts on the day the new unit is purchased. There is no warranty on standard or rechargeable batteries.

Consumables or defects causing a negligible effect on operation or value of the equipment are not covered. The warranty has to be proven by presentation of the original or copy of the purchase receipt, on which the date of purchase and the unit-model are indicated.

### 13.2 Warranty exclusions

Damage or defects caused by incorrect treatment or operation and damage resulting from use of non-original parts or accessories are not covered by the warranty.

The warranty does not cover damage caused by outside factors, such as lightning, water and fire, nor any damage caused during transportation. No warranty can be claimed if the serial number on the units has been changed, removed or rendered illegible. Any warranty claims will be invalid if the unit has been repaired, altered or modified by the buyer

**This product is in compliance with the essential requirements and other relevant provisions of the R & TTE directive 1999/5/EC.**

The Declaration of conformity can be found on :  
<http://www.topcom.net/support/cedclarations.php>

## 1 Inleiding

Hartelijk dank voor het aanschaffen van de Twintalker 5400. Dit is een radiocommunicatieapparaat met een groot bereik van maximaal 10 km en een laag vermogen. Er zijn geen gebruikskosten, op de minimale kosten na van het opladen van de batterijen. De Twintalker werkt op 8 kanalen.

### 1.1 Gebruiksdoel

Het kan worden gebruikt voor verschillende recreatiedoeleinden. Bijvoorbeeld: om contact te houden wanneer u op reis bent in 2 of meer voertuigen of tijdens het fietsen of skiën. Ook kunt u hiermee contact houden met uw kinderen, bijvoorbeeld wanneer zij buiten spelen.

### 2 CE-markering

De CE-markering op het toestel, de handleiding en de verpakking geeft aan dat het toestel voldoet aan de basis-eisen van de R&TTE-richtlijn 1995/5/EG.

## 3 Veiligheidsinstructies

### 3.1 Algemeen

Lees de onderstaande informatie over veiligheid en een correct gebruik zorgvuldig door. Leer alle functies van het toestel goed kennen. Bewaar deze handleiding op een veilige plaats voor later gebruik.

### 3.2 Brandwonden

- Raak de antenne niet aan als de afdekking van de antenne is beschadigd, want als een antenne bij het zenden in contact komt met de huid, kan dit leiden tot kleine brandwonden.
- Batterijen kunnen schade aan materiaal veroorzaken, bijvoorbeeld brandplekken, als geleidend materiaal (zoals sieraden, sleutels of kralenkettingen) in aanraking komt met de blootliggende contacten. Het materiaal kan een elektrisch circuit sluiten (kortsluiting) en erg heet worden. Hantereer opgeladen batterijen met zorg, vooral als u deze in een zak, tas of andere houder met metalen voorwerpen plaatst.

### 3.3 Letsels

- Plaats het toestel niet boven een airbag of in de buurt van de plaats waar de airbag zich opblaast. Airbags worden met veel kracht opgeblazen. Als een PMR zich in de radius van de airbag bevindt op het moment dat deze wordt geactiveerd, kan het toestel met grote kracht worden weggeslingerd waardoor de inzittenden van het voertuig ernstig gewond kunnen raken.
- Houd de PMR ten minste 15 centimeter verwijderd van een pacemaker.
- Schakel uw PMR onmiddellijk UIT in geval van interferentie met medische apparatuur.

### 3.4 Explosiegevaar

- Vervang de batterijen niet in een omgeving waar explosiegevaar bestaat. Bij het plaatsen of verwijderen van de batterijen kunnen contactvonken ontstaan, die een explosie kunnen veroorzaken.
- Schakel uw PMR uit wanneer u zich bevindt in een omgeving waar explosiegevaar bestaat. Vonken kunnen in een dergelijke omgeving brand of een explosie veroorzaken, met lichamelijk letsel of zelfs de dood tot gevolg.
- Gooi batterijen nooit in vuur, aangezien ze dan kunnen ontploffen.



Omgevingen waar explosiegevaar bestaat, worden vaak, maar niet altijd, duidelijk aangegeven. Hieronder vallen brandstoftankruimtes, zoals onderdeks of schepen, overslag- of opslagplaatsen voor brandstof of chemicaliën, omgevingen waar de lucht chemicaliën of deeltjes bevat, zoals graan-, stof- of metaaldeeltjes, en elke andere omgeving waar u gewoonlijk wordt geadviseerd de motor van uw voertuig uit te schakelen.

### 3.5 Vergiftigingsgevaar

- Houd de batterijen uit de buurt van kinderen.

### 3.6 Regelgeving

- In bepaalde landen is het verboden om onder het rijden van PMR te gebruiken. Ga in dit geval aan de kant staan voordat u het toestel gebruikt.
- Schakel uw PMR UIT aan boord van een vliegtuig wanneer u hierom wordt verzocht. Gebruik van de PMR dient in overeenstemming te zijn met de voorschriften van de luchtvaartmaatschappij of de instructies van de bemanning.
- Schakel uw PMR UIT op plaatsen waar waarschuwingbordjes u vragen dit te doen. Ziekenhuizen of gezondheidscentra kunnen apparaten gebruiken die gevoelig zijn voor radiofrequentiesignalen van buitenaf.
- Het vervangen of aanpassen van de antenne kan de PMR-radiospecificaties beïnvloeden en inbreuk maken op de CE-voorschriften. Niet-goedgekeurde antennes kunnen de radio ook beschadigen.

### 3.7 Opmerkingen

- Raak de antenne niet aan tijdens het zenden; dit kan het bereik beïnvloeden.
- Verwijder de batterijen als u het toestel langere tijd niet gebruikt.

## 4 Reiniging en onderhoud

- Reinig het toestel met een vochtige doek. Gebruik hiervoor alleen water. Gebruik geen reinigings- of oplosmiddelen op het toestel; deze kunnen de behuizing beschadigen en naar binnen lekken, wat kan leiden tot blijvende beschadigingen.
- Gebruik een droge, pluisvrije doek om de batterijcontacten te reinigen.

## 5 Het product afvoeren (milieu)



Na afloop van de levenscyclus van het product mag u het niet met het normale huishoudelijke afval weggooien, maar moet u het naar een inzamelpunt voor recycling van elektrische en elektronische apparatuur brengen. Dit wordt aangegeurd door het symbool op het product. In de gebruiksaanwijzing en/of op de verpakking. Sommige materialen waaruit het product is vervaardigd, kunnen worden hergebruikt als u ze naar een inzamelpunt brengt. Door onderdelen of grondstoffen van gebruikte producten te hergebruiken, levert u een belangrijke bijdrage aan de bescherming van het milieu. Wend u tot de plaatselijke overheidsinstantie voor meer informatie over de inzamelpunten bij u in de buurt.

## 6 Een PMR-toestel gebruiken

Om met andere PMR-toestellen te kunnen communiceren, moeten deze allemaal op hetzelfde kanaal en subkanaal (TCSS/DSC) zijn afgestemd en zich binnen het ontvangstbereik bevinden (tot max. 10 km in open veld). Aangezien deze toestellen vrij toegankelijk frequentiebanden (kanalen) gebruiken, delen alle werkende toestellen dezelfde kanalen (8 kanalen in totaal – bijlage A). Privacy is daarom niet gegarandeerd. Iedereen met een PMR die op uw kanaal is afgestemd, kan het gesprek af luisteren. Als u wilt communiceren (een spraaksignaal uitzenden), drukt u op de PTT-toets (14). Zodra deze toets wordt ingedrukt, wordt de zendmodus van het toestel ingeschakeld en kunt u in de microfoon spreken. Alle andere PMR-toestellen binnen het uitzendbereik, die op hetzelfde kanaal staan afgestemd en in de stand-by-modus (niet zenden) staan, kunnen uw bericht horen. U moet wachten totdat uw gesprekspartner stopt met zenden voordat u kunt antwoorden. Na het zenden laat het toestel een geluidssignaal horen als het Roger-signaal is ingeschakeld (zie hoofdstuk "12.12 Roger-pleetoon in-/uitschakelen"). U hoeft enkel de PTT-toets (14) in te drukken en in de microfoon te spreken om te antwoorden.



Als 2 of meer gebruikers de PTT-toets (14) tegelijkertijd indrukken, ontvangt de ontvanger enkel het sterkste signaal, waarbij alle andere signalen worden onderdrukt. Zend daarom alleen uit (door op de PTT-toets (14) te drukken) als het kanaal vrij is.



Het bereik van de radiogolven wordt sterk beïnvloed door obstakels als gebouwen, betonnen/metalen constructies, de onregelmatigheid van het landschap, bossen, planten ... Dat houdt in dat het bereik tussen twee of meerdere PMR's in sommige extreme gevallen tot een maximum van enkele tientallen meters kan worden beperkt. U zult gauw merken dat de PMR het beste werkt wanneer er een minimum aan obstakels tussen de gebruikers is.

## 7 De verpakking bevat

- 2 x Twintalker 5400
- 1 x Duo-oplader
- 1 x stroomadapter
- 2 x NiMH-batterij
- 2 x riemclip
- Gebruikershandleiding

## 8 Om te beginnen

### 8.1 De riemclip installeren/verwijderen

- Druk de riemclip (B) in de richting van de antenne terwijl u het lipje van de clip (A) naar buiten trekt, om de riemclip van het toestel te verwijderen.
- Bij het terugplaatsen van de riemclip geeft een hoorbare klik aan dat de riemclip op zijn plaats is vergrendeld.

### 8.2 De batterijen plaatsen

- Open het batterijvak. Duw de ontgrendeling (C) in.
- Plaats de batterij. Het label op de batterij geeft de juiste positie van de batterij aan.
- Controleer de rubberafdichting rond het batterijvak voordat u het deksel weer sluit. Controleer of de afdichting in een goede staat is en of er geen vreemde bestanddelen onder de afdichting aanwezig zijn.
- Sluit het klepje van het batterijvak en blokkeer het klepje met de ontgrendeling.

### 9 De batterijen opladen

Het toestel kan gemakkelijk worden opgeladen door het in de bureaulader te plaatsen.

- Plaats de bureaulader op een vlak oppervlak.
- Steek het uiteinde van de meegeleverde adapter in een goed toegankelijk stopcontact en het andere uiteinde in de aansluiting aan de achterkant van de bureaulader.
- Zorg dat de radio UIT staat.
- Plaats de radio in de lader.
- De laad-LED gaat branden als het toestel juist is geplaatst en aan het laden is.

Het volledig laden van de NiMH-batterijen duurt ongeveer 16 uur.





Sluit de batterijen niet kort en gooi ze nooit in het vuur. Verwijder de batterijen wanneer u het toestel langere tijd niet gebruikt. Laad niet-oplaadbare batterijen zoals alkalinebatterijen nooit in de lader op. Dat kan de PMR's en lader schade toebrengen.

## 10 Omschrijving

Zie flap van het voorblad - afbeelding 1

1. Antenne
2. Lcd-display
3. Optionele headsetaansluiting
4. Optionele laderaansluiting
5. Toets Aan/uit - Menu
6. Luidsprekervolume omhoog
7. Luidsprekervolume omlaag
8. Microfoon
9. Luidspreker
10. Toets Oproep / Toetsvergroening
11. Kanaal omlaag CH
12. Kanaal omhoog CH
13. Monitortoets MON
14. PTT-toets

## 11 Informatie lcd-display

Zie flap van het voorblad - afbeelding 2

15. RX-pictogram
16. Indicatie batterijniveau
17. TX-pictogram
18. Pictogram toetsvergroening
19. Volumepictogram
20. Vox-pictogram
21. Kanaalindicatie
22. Subkanaalindicatie
23. Pictogram Scannen
24. Pictogram Oproep

## 12 De Twintalker 5400 gebruiken



Wanneer de segmenten en pictogrammen van de displays in deze handleiding in lichtgrijs worden weergegeven, geeft dit aan dat ze knipperen.

### 12.1 Het toestel in- en uitschakelen (AAN/UIT)



Inschakelen:

- Houd de toets gedurende 2 seconden ingedrukt. Het toestel gaat "piepen" en de lcd-display geeft het huidige kanaal weer.

Uitschakelen:

- Houd de toets gedurende 2 seconden ingedrukt. Het toestel gaat "piepen" en de lcd-display wordt zwart.

### 12.2 Laadniveau batterijen/Indicatie batterijniveau laag

Het laadniveau van de batterij wordt aangegeven via het batterijpictogram op het lcd-scherm.



- Batterij vol
- Batterijniveau laag
- Batterij bijna leeg



Als de batterij bijna leeg is, gaat het toestel automatisch na 30 seconden uit.

### 12.3 Luidsprekervolume instellen

Er zijn 8 volumeneaus (0..7)



- Druk op de toets in de stand-bymodus om het luidsprekervolume te verhogen. Het volumeneau wordt weergegeven.
- Druk op de toets om het luidsprekervolume te verlagen.
- Na 5 seconden keert het toestel terug naar stand-by.

### 12.4 Een signaal ontvangen

Het toestel is voortdurend in de ontvangstmodus wanneer het AAN staat en niet aan het zenden is.



Andere mensen die uw signaal willen ontvangen, moeten op hetzelfde kanaal zitten en hetzelfde subkanaal hebben ingesteld als u (hoofdstuk 12.6 en 12.7).

### 12.5 Een signaal zenden



- Houd de PTT-toets ingedrukt om te zenden. Het TX-symbool wordt weergegeven.
- Houd het toestel verticaal met de microfoon op 10 cm afstand van uw mond en spreek in de microfoon .
- Laat de PTT-toets los wanneer u wilt stoppen met zenden.

### 12.6 Van kanaal veranderen



- Gebruik de toets CH of de toets CH om naar een hoger of lager kanaal te gaan.
- Druk op de PTT-toets om te bevestigen

### 12.7 Subkanalen: CTCSS (Continuous Tone Coded Squelch System) / DCS (Digital Coded Squelch)

Licentievrije PMR-radio's die op de frequentieband 446 MHz werken, hebben 8 beschikbare radiokanalen. Als er in uw buurt veel PMR-gebruikers zijn, bestaat de kans dat sommige van die gebruikers op hetzelfde radiokanaal zitten.

Om te voorkomen dat u signalen van andere gebruikers ontvangt, werden er subkanalen voorzien.

Twee PMR-radio's kunnen enkel met elkaar communiceren wanneer ze op hetzelfde radiokanaal zitten en wanneer ze precies hetzelfde subkanaal hebben geselecteerd.

Er zijn twee soorten subkanalen:

- Continuous Tone Coded Squelch System (CTCSS)
- Digital Coded Squelch (DCS)

Wanneer CTCSS wordt gebruikt, wordt er samen met het spraaksignaal een toon met een lage frequentie (tussen 67 en 250 Hz) uitgezonden. Er kan uit 38 beschikbare tonen worden gekozen. U bent vrij om een van die 38 beschikbare tonen te kiezen. Door filtratie zijn die tonen over het algemeen niet hoorbaar, zodat ze de communicatie niet verstoren.

DCS is vergelijkbaar met CTCSS, maar in plaats van een continue toon van een geselecteerde frequentie te verzenden, wordt er aan het radiosignaal een digitale datatransmissie toegevoegd. Deze digitale code wordt met een erg lage snelheid, ongeveer 134 bits per seconde, verzonden (die code is 23 bits lang). Alleen de laatste nieuwe PMR's ondersteunen DCS. Er zijn 63 beschikbare DCS-codes die kunnen worden gebruikt. Aangezien eerdere modellen alleen CTCSS ondersteunen, kunt u beter DCS gebruiken om te voorkomen dat u tijdens uw PMR-gesprekken andere gebruikers hoort.

### 12.7.1 Van subkanaal veranderen



- Druk op de toets : Het geselecteerde subkanaal (of "oF" als er geen subkanaal is) gaat knippen.
- Gebruik de toets **CH▲** of de toets **CH▼** om het gewenste subkanaal te selecteren.
  - 1..38: CTCSS-code (1..38)
  - 39..121: DCS-code (1..83)
- Druk op de **PTT**-toets om te bevestigen



Bijlage B bevat alle benodigde informatie over de CTCSS- en DCS-subkanaalcodes.

### 12.8 Een oproep doen



Wanneer u op de toets drukt, verstuurt u een oproeptoon naar de andere gebruikers op hetzelfde kanaal/subkanaal. Dit geeft aan dat u een gesprek wilt beginnen.

- Druk op de toets



Er zijn 5 verschillende oproeptonen. U kunt een oproeptoon selecteren in het menu:

- Druk vier keer op de toets
- Gebruik de toets **CH▲** of de toets **CH▼** om de oproeptoon te selecteren
- Druk op de **PTT**-toets om te bevestigen.

### 12.9 Monitor

U kunt de monitorfunctie gebruiken om op het huidige kanaal te zoeken naar zwakkere signalen.

- Druk op de toets **MON** om het zoeken te starten.
- Wanneer u deze toets meer dan 3 seconden ingedrukt houdt, blijft de radio continu zoeken.
- Druk opnieuw op de toets om de monitorfunctie uit te schakelen.

### 12.10 Kanaalscan

De functie kanaalscan zoekt in een eindeloze lus naar actieve signalen op kanaal 1 tot 8.

Zodra een actief kanaal wordt gevonden, wordt de scan stopgezet en kunt u naar het gesprek luisteren.

Als er op het gevonden kanaal geen activiteit meer is, wordt het scannen na twee seconden hervat.

Wanneer u op het gevonden kanaal op de **PTT**-toets drukt, wordt de scanfunctie uitgeschakeld en blijft de radio op dit kanaal staan.



- Druk twee keer op de toets
- Gebruik de toets **CH▲** of de toets **CH▼** om Y voor scannen te selecteren
- Druk op de toets om te bevestigen: Het scannen begint
- Het scannen stopt als de toets **PTT** wordt ingedrukt.

### 12.11 VOX

Wanneer de optionele headset (zonder PTT knop) is aangesloten, kan de functie spraakgestuurd zenden (VOX) worden gebruikt.

Op die manier hoeft de gebruiker niet op de toets PTT te drukken om met zenden te beginnen. De Twinalker 5400 begint met zenden als u in de microfoon van de headset begint te praten.



- Druk drie keer op de toets
- Gebruik de toets **CH▲** of de toets **CH▼** om het VOX-niveau te selecteren of oF om VOX uit te schakelen. (er zijn 5 VOX-niveaus)
  - Niveau 1: Hoogste gevoeligheid voor stille omgevingen
  - ...
  - Niveau 5: Laagste gevoeligheid voor luidruchtige omgevingen
- Druk op de **PTT**-toets om te bevestigen

### 12.12 Roger-pieptoon in-/uitschakelen

Nadat u de **PTT**-toets hebt losgelaten, zendt het toestel een Roger-pieptoon uit om te bevestigen dat u bent gestopt met praten.



De Roger-pieptoon kan worden in- of uitgeschakeld:

- Druk vijf keer op de toets
- Gebruik de toets **CH▲** of de toets **CH▼** om de Roger-pieptoon in (Y) of uit (n) te schakelen

Druk op de **PTT**-toets om te bevestigen

### 12.13 Toetstoon in-/uitschakelen

Wanneer een toets wordt ingedrukt, is er een toonsignaal hoorbaar.

De toetstoon kan worden in- of uitgeschakeld:



- Druk zes keer op de toets
- Gebruik de toets **CH▲** of de toets **CH▼** voor het inschakelen (Y) of uitschakelen (n) van de toetstoon
- Druk op de **PTT**-toets om te bevestigen

### 12.14 Toetsvergendeling



- Houd de toets gedurende drie seconden ingedrukt om de toetsvergendelingsmodus in/uit te schakelen.



Wanneer de toetsvergendeling is ingeschakeld, werken de **PTT**-toets , de toetsen voor volumeregeling, de monitortoets (MON) en de oproeptoets nog wel. Alle andere toetsen zijn vergrendeld.

## 13 Garantie

### 13.1 Garantieperiode

Op het product wordt een garantie van 24 maanden verleend. De garantieperiode gaat in op de dag waarop het nieuwe product werd gekocht. Er is geen garantie op standaard- of oplaadbare batterijen.

Kleine onderdelen of defecten die een verwaarloosbaar effect hebben op de werking of waarde van het product, worden niet door de garantie gedekt. De garantie moet worden aangevraagd door overlegging van het originele aankoopbewijs of een kopie waarop de aankoopdatum en het typenummer van het product staan vermeld.

### 13.2 Garantiebeperkingen

Schade of defecten die te wijten zijn aan onjuist gebruik of bediening en schade die te wijten is aan het gebruik van niet-originele onderdelen of accessoires worden niet door de garantie gedekt.

De garantie dekt geen schade die te wijten is aan externe factoren, zoals bliksem, water en brand of transportschade. Er kan geen aanspraak worden gemaakt op de garantie als het serienummer op het product gewijzigd, verwijderd of onleesbaar gemaakt is. Garantieclaims zijn ongeldig wanneer het product door de koper werd gerepareerd, gewijzigd of aangepast

Dit product voldoet aan de basis-eisen en andere relevante bepalingen van R&TTE-richtlijn 1999/5/EG.

Het gelijkvormigheidsattest kan gevonden worden op:  
<http://www.topcom.net/support/cedelations.php>



## 1 Introduction

Merci d'avoir acheté le Twintalker 5400. Il s'agit d'un appareil de communication radio de faible puissance avec une portée maximum de 10 km. Son coût de fonctionnement se limite au rechargement des piles. Le Twintalker fonctionne sur 8 canaux.

### 1.1 Usage

Cet appareil s'utilise également dans le cadre privé. Exemple: pour maintenir le contact lors d'un voyage à plusieurs voitures, au cours de randonnées en deux-roues ou à ski. Vous pouvez également l'utiliser pour communiquer avec vos enfants lorsqu'ils jouent dehors, etc.

## 2 Marque CE

Le symbole CE qui figure sur le produit, sur le mode d'emploi et sur la boîte indique que l'appareil est conforme aux recommandations essentielles de la directive R&TTE 1995/5/CE.

## 3 Instructions de sécurité

### 3.1 Généralités

Veillez lire attentivement les instructions suivantes relatives à la sécurité et à l'utilisation correcte du produit. Familiarisez-vous avec toutes les fonctions de l'appareil. Conservez ce manuel en lieu sûr pour pouvoir le consulter ultérieurement.

### 3.2 Risques de brûlure

- Ne touchez pas l'antenne si son couvercle est endommagé, car un contact avec la peau risque de provoquer des brûlures bénignes lors de la transmission.
- Les piles peuvent causer des dommages matériels tels que des brûlures si des matériaux conducteurs (bijoux, clés ou chaînes) entrent en contact avec les bornes dénudées. Le matériau peut constituer un circuit électrique (court-circuit) et devenir très chaud. Les piles chargées doivent être manipulées avec précaution, particulièrement lorsque vous les mettez dans une poche, un sac ou un autre récipient contenant des objets métalliques.

### 3.3 Blessures

- Ne placez pas votre appareil dans la zone située au dessus d'un airbag ni dans la zone de déploiement de ce dernier. Les airbags se gonflent avec une très grande force, si un talkie-walkie est placé dans leur zone de déploiement, ce dernier peut être propulsé et blesser gravement les occupants du véhicule.
- Gardez une distance minimum de 15 centimètres entre le talkie-walkie et un stimulateur cardiaque.
- Désactivez votre talkie-walkie dès qu'une interférence se produit avec l'appareil médical.

### 3.4 Risque d'explosion

- Ne remplacez pas les piles dans une atmosphère présentant des risques de déflagration. L'installation et le retrait des piles peuvent provoquer des étincelles de contact susceptibles d'entraîner une explosion.
- Désactivez votre talkie-walkie lorsque vous vous trouvez dans une atmosphère présentant des risques de déflagration. Si des étincelles se produisent, cela peut provoquer une explosion ou un incendie entraînant des blessures corporelles, voire la mort.
- Ne jetez jamais les piles au feu car elles risquent d'exploser.



Les zones qui présentent des risques de déflagration sont généralement signalées, mais ce n'est pas toujours le cas. Il s'agit des zones d'alimentation en carburant telles que le premier pont d'un bateau, des installations de transfert ou de stockage de carburant ou de produits chimiques, des zones dont l'air contient des produits chimiques ou des particules comme des grains, de la poussière ou du métal pulvérisé, et de toute autre zone dans laquelle il vous est demandé de couper le moteur de votre véhicule.

### 3.5 Risques d'empoisonnement

- Gardez les piles hors de portée des enfants.

### 3.6 Mention légale

- Dans certains pays, il vous est interdit d'utiliser un talkie-walkie au volant d'un véhicule. Dans ce cas, arrêtez-vous avant d'utiliser l'appareil.
- À bord d'un avion, désactivez votre appareil dès que le personnel vous le demande. L'utilisation du talkie-walkie doit se faire conformément aux réglementations de la compagnie aérienne ou aux instructions de l'équipage.
- Désactivez votre talkie-walkie dans tous les lieux où des affiches interdisent son utilisation. Les hôpitaux et les établissements de soins peuvent utiliser des équipements sensibles à l'énergie radioélectrique extérieure.
- Le remplacement ou la modification de l'antenne peut affecter les caractéristiques radio du talkie-walkie et enfreindre les réglementations CE. Les antennes non autorisées peuvent également endommager l'équipement radio.

### 3.7 Remarques

- Ne touchez pas l'antenne lors de la transmission, car cela peut avoir une incidence sur la portée.
- Retirez les piles si vous n'utilisez pas l'appareil pendant un long moment.

## 4 Nettoyage et maintenance

- Pour nettoyer l'appareil, utilisez un chiffon doux humidifié avec de l'eau. N'utilisez ni produit nettoyant, ni solvant. Ils risqueraient, en effet, d'endommager le boîtier, de pénétrer à l'intérieur de l'appareil et de provoquer des dommages irréversibles.
- Pour nettoyer le contact des piles, utilisez un tissu sec non pelucheux.

## 5 Mise au rebut de l'appareil (environnement)



Au terme du cycle de vie de ce produit, ne le jetez pas avec les déchets ménagers ordinaires ; déposez-le dans un point de collecte pour le recyclage des équipements électriques et électroniques. Le symbole indiqué sur le produit, sur le mode d'emploi et/ou sur la boîte est là pour vous le rappeler. Certains matériaux qui composent le produit peuvent être réutilisés s'ils sont déposés dans un point de recyclage. Le recyclage de certaines pièces ou matières premières de produits usagés contribue fortement à la protection de l'environnement. Pour toute information supplémentaire sur les points de collecte de votre région, contactez les autorités locales.

## 6 Utilisation d'un talkie-walkie

Pour que des talkie-walkies puissent communiquer entre eux, ils doivent utiliser le même canal et le même sous-canal (CTCSS/DCS) et la portée de réception doit être respectée (maximum de 10 km en terrain dégagé). Ces appareils utilisant des bandes de fréquences libres (canaux), tous les appareils en fonctionnement partagent ces canaux (8 au total - Annexe A). La confidentialité n'est donc pas assurée. Toute personne qui dispose d'un talkie-walkie utilisant votre canal est susceptible d'écouter votre conversation. Pour communiquer (transmettre un signal vocal), appuyez sur la touche PTT (4).

L'appareil passe alors en mode de transmission et vous pouvez parler dans le micro. Les personnes qui utilisent d'autres talkie-walkies couverts par la portée, utilisant le même canal et se trouvant en mode veille (pas en cours de transmission) entendent votre message. Pour que vous puissiez répondre au message, vous devez attendre que votre interlocuteur arrête de transmettre. À la fin de chaque transmission, l'appareil émet un bip si le Roger Beep est activé (voir chapitre "12.12 Activation/Désactivation du Roger Beep"). Pour répondre, il vous suffit d'appuyer sur la touche PTT (4) et de parler dans le microphone.



Si plusieurs utilisateurs appuient simultanément sur la touche PTT (4), c'est le signal le plus puissant qui est détecté par le récepteur et les autres signaux sont supprimés. C'est pourquoi vous ne devez transmettre de signal (touche PTT (4)) que lorsque le canal est libre.



La gamme des ondes radio est fortement affectée par des obstacles, tels que bâtiments, structures en béton/métal, paysages accidentés, zones boisées, plantes, etc. Cela implique que la portée entre plusieurs talkie-walkies peut, dans certains cas extrêmes, être réduite à un maximum de quelques dizaines de mètres. Vous constaterez rapidement que les talkies-walkies fonctionnent mieux lorsque peu d'obstacles se trouvent entre les utilisateurs.

## 7 Inclus dans l'emballage

- 2 Twintalker 5400
- 1 chargeur double
- 1 adaptateur secteur
- 2 blocs de piles NiMH
- 2 clips de ceinture
- Mode d'emploi

## 8 Avant de commencer

### 8.1 Installer / Retirer le clip de ceinture

- Pour retirer le clip de ceinture (B) de l'appareil, poussez celui-ci vers l'antenne tout en tirant sur l'agrafe du clip (A).
- Lorsque vous réinstallez le clip de ceinture, un clic indique qu'il est correctement verrouillé.

### 8.2 Installation des piles

- Ouvrez le compartiment à piles. Poussez le loquet (C) vers le bas.
- Insérez la pile. L'étiquette du bloc de piles indique la position correcte de la pile.
- Avant de refermer la porte du compartiment à piles, vérifiez le joint en caoutchouc autour du compartiment à piles. Assurez-vous que le joint est en bon état et qu'il n'y a pas de corps étrangers sous le joint.
- Fermez la porte de compartiment à piles et verrouillez-la à l'aide du loquet.

## 9 Chargement des piles

Le chargeur de bureau permet de recharger automatiquement les piles à votre convenance.

- Placez le chargeur de bureau sur une surface plane.
- Branchez une extrémité de l'adaptateur fourni dans une prise de courant facile d'accès et l'autre extrémité dans un connecteur situé à l'arrière du chargeur de bureau.
- Assurez-vous que le talkie-walkie est éteint.
- Placez le talkie-walkie dans le chargeur.



5. La LED de chargement s'allume si l'appareil est correctement inséré et qu'il se charge.

Le temps de charge total de la pile Li-ion dure environ 16 heures.



**Ne court-circuitiez pas les piles et ne les jetez pas au feu. Retirez-les lorsque vous n'utilisez pas l'appareil pendant une durée prolongée.**

**Ne rechargez pas des piles non rechargeables, telles que piles alcalines, avec le chargeur. Vous pourriez endommager les talkies-walkies et le chargeur.**

## 10 Description

Voir l'illustration 1 sur le rabat de la couverture

1. Antenne
2. Écran LCD
3. Connecteur d'un micro-casque en option
4. Connecteur de chargeur de voiture en option
5. Touche de menu/Marche/Arrêt
6. Augmentation du volume du haut-parleur
7. Diminution du volume du haut-parleur
8. Micro
9. Haut-parleur
10. Touche de verrouillage des appels / des touches
11. Canal précédent
12. Canal suivant
13. Touche de surveillance **MON**
14. Touche **PTT**

## 11 Informations apparaissant sur l'écran LCD

Voir l'illustration 2 sur le rabat de la couverture

15. Icône RX
16. Indication du niveau de chargement des piles
17. Icône TX
18. Icône de verrouillage du clavier
19. Icône de volume
20. Icône Vox
21. Indication du canal
22. Indication du sous-canal
23. Icône de balayage
24. Icône d'appel

## 12 Utilisation du Twintalker 5400



Si les segments et les icônes affichés sont indiqués en gris clair dans ce manuel d'utilisation, cela signifie qu'ils clignotent.

### 12.1 Activation et désactivation de l'appareil



Pour activer:

- Appuyez sur la touche (5) et maintenez-la enfoncée pendant 2 secondes. L'appareil émettra un "bip" et l'écran LCD affichera le canal actuel.

Pour désactiver:

- Appuyez sur la touche (5) et maintenez-la enfoncée pendant 2 secondes. L'appareil émettra un "bip" et l'écran LCD s'éteindra.

### 12.2 Niveau de charge des piles/Indication de piles faibles

Le niveau de charge des piles est indiqué par l'icône de la pile sur l'écran LCD.



- Pile totalement chargée
- Pile plate
- Pile presque plate



Lorsque la pile est presque plate, l'appareil s'éteint automatiquement après 30 secondes.

### 12.3 Réglage du volume du haut-parleur

Il y a 8 niveaux de volume de haut-parleur (0..7)



- Appuyez sur la touche (6) en mode de veille pour augmenter le volume du haut-parleur. Le niveau de volume s'affiche.
- Appuyez sur la touche (7) pour diminuer le volume du haut-parleur.
- Après 5 secondes, l'appareil repassera en mode veille.

### 12.4 Réception d'un signal

Lorsque l'appareil est activé et qu'il n'est pas en mode de transmission, il est en permanence en mode de réception.



Pour que d'autres personnes reçoivent votre transmission, elles doivent également utiliser le même canal et le même sous-canal (chapitre 12.6 et 12.7).

### 12.5 Émission d'un signal



- Appuyez sur la touche **PTT** (14) et maintenez-la enfoncée pour la transmission. Le symbole TX s'affiche.
- Tenez l'appareil à la verticale, placez le micro à 10 cm de votre bouche et parlez (8).
- Relâchez la touche **PTT** (14) lorsque vous voulez arrêter la transmission.

### 12.6 Changement de canal



- Utilisez la touche **CH▲** (12) ou **CH▼** (11) pour passer au canal précédent ou suivant.
- Appuyez sur la touche **PTT** (14) pour confirmer

### 12.7 Sous-canaux: CTCSS (Continuous Tone Coded Squelch System ou système de squelch à tonalités codées) / DCS (Digital Coded Squelch ou système de squelch numérique codé)

Les talkies-walkies sans licence fonctionnant sur la bande de fréquences de 449 MHz disposent de 8 canaux radio. S'il y a de nombreux utilisateurs de talkies-walkies dans votre entourage, il se peut que certains utilisent le même canal radio.

Pour éviter de recevoir les signaux d'autres utilisateurs, l'appareil dispose de sous-canaux. Deux talkies-walkies ne peuvent communiquer l'un avec l'autre que lorsqu'ils fonctionnent sur le même canal radio et exactement le même sous-canal.

Il existe deux types de sous-canaux:

- CTCSS (Continuous Tone Coded Squelch System ou système de squelch à tonalités codées)
- DCS (Digital Coded Squelch ou système de squelch numérique codé)

Avec le CTCSS, une tonalité de faible fréquence (entre 67 et 250Hz) est transmise avec le signal vocal. Vous avez le choix entre 38 tonalités différentes. Vous êtes libre de sélectionner l'une de ces 38 tonalités. Grâce au filtrage, ces tonalités ne sont généralement pas audibles pour ne pas gêner la communication.

Le code DCS est similaire au CTCSS mais, au lieu d'envoyer une tonalité continue d'une fréquence sélectionnée, une transmission numérique de données s'ajoute au signal radio. Ce code numérique est transmis selon un débit très faible, environ 134 bits par seconde (le code fait 23 bits). Seuls les talkies-walkies de dernière génération prennent en charge le code DCS. 83 codes DCS peuvent être utilisés. Étant donné que les modèles précédents ne prennent en charge que le CTCSS, mieux vaut utiliser le DCS afin d'éviter d'entendre d'autres utilisateurs pendant vos conversations.

### 12.7.1 Changement de sous-canal



- Appuyez sur la touche (5) : Le sous-canal sélectionné (ou "of" si aucun sous-canal n'est sélectionné) se met à clignoter.
- Utilisez la touche **CH▲** (12) ou la touche **CH▼** (11) pour sélectionner le sous-canal souhaité:
  - 1..38: code CTCSS (1..38)
  - 39..121: code DCS (1..83)
- Appuyez sur la touche **PTT** (14) pour confirmer



L'annexe B fournit toutes les informations au sujet des codes de sous-canal CTCSS et DCS.

### 12.8 Passer un appel



Lorsque vous appuyez sur la touche (10), vous transmettez une tonalité d'appel aux autres utilisateurs sur le même canal-sous-canal. Cela indique que vous voulez démarrer une conversation.

- Appuyez sur la touche (10)



Il y a 5 tonalités d'appel différentes. Vous pouvez sélectionner une tonalité d'appel dans le menu:

- Press the - key (5) four times
- Utilisez la touche **CH▲** (12) ou la touche **CH▼** (11) pour sélectionner la tonalité d'appel
- Appuyez sur la touche **PTT** (14) pour confirmer.

### 12.9 Surveillance

La fonction de surveillance permet de détecter les signaux faibles du canal actuel.

- Appuyez sur la touche **MON** (13) pour lancer la surveillance.
- Si vous maintenez cette touche enfoncée pendant 3 secondes, l'appareil entre en mode de surveillance continue.
- Appuyez sur la touche à nouveau pour désactiver la fonction de surveillance.

### 12.10 Balayage des canaux

Le balayage des canaux recherche les signaux actifs dans une boucle sans fin sur les canaux 1 à 8.

Lorsqu'un canal actif est trouvé, le balayage s'arrête et vous pouvez écouter la conversation.

S'il n'y a plus d'activités sur le canal trouvé, le balayage reprend après deux secondes.

Si vous appuyez sur la touche **PTT** (15) sur le canal trouvé, la fonction de balayage s'arrête et le talkie-walkie reste sur ce canal.



- Appuyez deux fois sur la touche (5)
- Utilisez la touche **CH▲** (12) ou la touche **CH▼** (11) pour sélectionner Y pour le balayage
- Appuyez sur la touche (5) pour confirmer: le balayage commence
- Appuyez sur la touche **PTT** (14) pour arrêter le balayage.

### 12.11 VOX

Lorsque le micro-casque en option (sans bouton PTT) est connecté, la fonction de transmission en mode vocal (VOX) peut être utilisée. Ainsi, l'utilisateur n'a pas besoin d'appuyer sur le bouton PTT pour commencer à transmettre. Le Twintalker 5400 commence à transmettre lorsque vous commencez à parler dans le micro du micro-casque.



- Appuyez trois fois sur la touche (5)
- Appuyez sur la touche **CH▲** (12) ou la touche **CH▼** (11) pour sélectionner le niveau VOX ou of pour désactiver le mode VOX. (il y a 5 niveaux VOX)
  - Niveau 1: Sensibilité la plus élevée pour des environnements calmes
  - 
  - Niveau 5: Sensibilité la plus basse pour des environnements bruyants
- Appuyez sur la touche **PTT** (14) pour confirmer

### 12.12 Activation/Désactivation du Roger Beep

Lorsque vous avez relâché la touche **PTT** (15), l'appareil envoie un Roger Beep pour confirmer que vous avez cessé de parler.



Ce Roger Beep peut être activé et désactivé:

- Appuyez cinq fois sur la touche (5).
- Appuyez sur la touche **CH▲** (12) ou la touche **CH▼** (11) pour activer (Y) ou désactiver (N) le Roger Beep
- Appuyez sur la touche **PTT** (14) pour confirmer

### 12.13 Activation/désactivation du Bip Touches

Lorsque vous appuyez sur une touche, une tonalité est émise.

Ce bip de touche peut être activé ou désactivé:



- Appuyez six fois sur la touche (5)
- Appuyez sur la touche **CH▲** (12) ou la touche **CH▼** (11) pour activer (Y) ou désactiver (N) la tonalité des touches
- Appuyez sur la touche **PTT** (14) pour confirmer

### 12.14 Verrouillage du clavier



- Appuyez sur la touche (10) et maintenez-la enfoncée pendant trois secondes pour activer/désactiver la fonction de verrouillage des touches.



Lorsque le verrouillage des touches est activé, la touche **PTT** (14), les touches de contrôle du volume, la touche de surveillance (MON) et la touche d'appel (10) restent opérationnelles. Toutes les autres touches sont verrouillées.

## 13 Garantie

### 13.1 Période de garantie

Les appareils bénéficient d'une période de garantie de 24 mois. Celle-ci prend effet le jour de l'achat du nouvel appareil. Il n'y a aucune garantie sur les piles standard ou rechargeables.

Les accessoires et les défauts ayant un effet négligeable sur le fonctionnement ou la valeur de l'appareil ne sont pas couverts.

La garantie s'applique uniquement sur présentation de l'original ou d'une copie de la facture sur laquelle figurent la date de l'achat et le modèle de l'appareil.

### 13.2 Exclusions de garantie

Les dommages et pertes causés par un mauvais traitement ou une utilisation incorrecte ou résultant de l'utilisation de pièces et d'accessoires non originaux ne sont pas couverts par la garantie.

La garantie ne couvre pas les dégâts causés par des éléments extérieurs, tels que la foudre, l'eau et le feu, ni les dégâts encourus pendant le transport. Aucune garantie ne pourra être invoquée si le numéro de série indiqué sur l'appareil a été modifié, supprimé ou rendu illisible. De même, aucune garantie ne pourra être sollicitée si l'appareil a été réparé ou modifié par l'acheteur

Ce produit est conforme aux conditions essentielles et aux autres dispositions pertinentes de la directive R&TE 1999/5/CE.

La déclaration de conformité peut être consultée sur:  
<http://www.topcom.net/support/cedclarations.php>

## 1 Einführung

Vielen Dank, dass Sie sich für den Twinalker 5400 entschieden haben. Es handelt sich hierbei um ein Sprechfunkgerät mit einer Reichweite von bis zu max. 10 km. Es verursacht keine laufenden Betriebskosten außer der geringfügigen Kosten für das Aufladen der Akkus. Der Twinalker verwendet 8 Kanäle.

### 1.1 Verwendungszweck

Das Gerät kann für Freizeit Zwecke verwendet werden. Zum Beispiel: um bei einem Ausflug in einer Gruppe mit 2 oder mehreren Fahrzeugen, Radfahrern oder Skifahrern untereinander Verbindung zu halten. Es kann auch eingesetzt werden, um mit Ihren Kindern in Kontakt zu bleiben, wenn sie draußen spielen usw.

### 2 CE-Kennzeichnung

Das CE-Zeichen auf dem Gerät, der Bedienungsanleitung und der Verpackung zeigt an, dass das Gerät die grundlegenden Anforderungen der R&TTE-Richtlinie 1995/5/EG erfüllt.

### 3 Sicherheitshinweise

#### 3.1 Allgemeines

Bitte lesen Sie die folgenden Informationen für den sicheren und ordnungsgemäßen Gebrauch aufmerksam durch. Machen Sie sich mit allen Funktionen des Geräts vertraut. Bewahren Sie diese Bedienungsanleitung zur späteren Verwendung sicher auf.

#### 3.2 Verbrennungsgefahr

- Berühren Sie die Antenne nicht, wenn der Antennenschutz beschädigt ist. Eine Berührung der Antenne mit der Haut kann bei einer Übertragung zu einer geringfügigen Verbrennung führen.
- Batterien können Sachschäden und Verbrennungen verursachen, wenn leitende Materialien wie Schmutz, Schlüssel oder Perlenketten an die liegende Anschlüsse berühren. Das Material schließt unter Umständen einen elektrischen Stromkreis (Kurzschluss) und wird dadurch entsprechend heiß. Seien Sie achtsam im Umgang mit Akkus und Batterien, insbesondere wenn Sie diese in einer Tasche, einem Geldbeutel oder einem anderen Behälter mit metallenen Objekten aufbewahren.

#### 3.3 Verletzungsgefahr

- Legen Sie Ihr Gerät nicht in den Bereich über einem Airbag oder in den Airbagauslösbereich. Airbags blasen sich mit großer Wucht auf. Wenn sich das Funkgerät im Airbagauslösbereich befindet und der Airbag auslöst, kann es sein, dass das Funkgerät mit großer Wucht durch das Auto geschleudert wird und dabei insassend des Fahrzeugs verletzt.
- Halten Sie mit dem Sprechfunkgerät einen Abstand von mindestens 15 cm zu einem Herzschrittmacher ein.
- Schalten Sie Ihr Sprechfunkgerät sofort aus, sobald eine Interferenz mit medizinischen Geräten auftritt.

#### 3.4 Explosionsgefahr

- Wechseln Sie die Batterien/Akkus niemals in potenziell explosionsgefährdeten Bereichen. Während des Einsetzens oder Entfernens der Batterien/Akkus kann es zu einem Funkenschlag kommen, der eine Explosion auslöst.
- Schalten Sie Ihr Sprechfunkgerät aus, wenn Sie sich in einem explosionsgefährdeten Bereich befinden. Ein Funkenschlag in solchen Bereichen kann eine Explosion oder einen Brand verursachen, was zu Verletzungen und sogar zum Tod führen kann.
- Werfen Sie Batterien/Akkus niemals ins Feuer, da sie explodieren könnten.



**Explosionsgefährdete Bereiche sind oft, aber nicht immer eindeutig ausgewiesen. Dazu zählen Tankbereiche, wie z. B. unter Deck auf Schiffen, Kraftstoff- oder Chemikalienüberführungen oder Aufbewahrungsbereiche; Bereiche, in denen die Luft Chemikalien oder Teichen enthält, wie z. B. Getreide, Staub oder Metallpulver; alle anderen Bereiche, in denen Sie normalerweise angewiesen werden, Ihren Kraftfahrzeugmotor abzuschalten.**

#### 3.5 Vergiftungsgefahr

- Halten Sie Batterien/Akkus außer Reichweite von kleinen Kindern.

#### 3.6 Gesetze

- In einigen Ländern ist es verboten, Ihr Sprechfunkgerät während des Steuerns eines Fahrzeugs zu benutzen. Halten Sie Ihr Fahrzeug in diesen Fällen neben der Straße an, bevor Sie das Sprechfunkgerät benutzen.
- Schalten Sie Ihr Sprechfunkgerät aus, wenn Sie sich an Bord eines Flugzeugs befinden und entsprechende Anweisungen erhalten. Die Benutzung des Geräts muss entsprechend den Bestimmungen der Fluglinie und den Anweisungen der Besatzung erfolgen.
- Schalten Sie Ihr Gerät überall dort aus, wo Aushänge es von Ihnen verlangen. Krankenhäuser und Gesundheitseinrichtungen verwenden möglicherweise Geräte, die empfindlich auf externe Radiofrequenzen reagieren.
- Das Ersetzen oder Verändern der Antenne kann die Gerätespezifizierung verändern und die CE-Bestimmungen verletzen. Nicht genehmigte Antennen können außerdem das Funkgerät beschädigen.

#### 3.7 Anmerkungen

- Berühren Sie die Antenne nicht während einer Übertragung, da dadurch die Reichweite beeinflusst werden kann.
- Entfernen Sie die Batterien/Akkus, wenn Sie das Gerät längere Zeit nicht verwenden.

## 4 Reinigung und Wartung

- Reinigen Sie das Gerät, indem Sie es mit einem weichen, feuchten Tuch abwischen. Verwenden Sie keine Reinigungs- oder Lösungsmittel für das Gerät. Diese können das Gehäuse beschädigen und ins Innere gelangen, was zu dauerhaften Schäden führen kann.
- Die Batteriekontakte können mit einem trockenen, flusenfreien Tuch abgewischt werden.

## 5 Entsorgung des Geräts (Umweltschutz)



Am Ende der Nutzungsdauer des Produkts darf das Gerät nicht im normalen Hausmüll entsorgt werden. Bringen Sie es zu einer Sammelstelle zur Aufbereitung elektrischer und elektronischer Geräte. Das Symbol am Gerät, in der Bedienungsanleitung und/oder auf der Verpackung weist darauf hin. Einige der Materialien des Geräts können wiederverwertet werden, wenn sie an einer Recyclingstelle abgegeben werden. Mit der Wiederverwertung einiger Teile oder Rohstoffe aus gebrauchten Produkten leisten Sie einen wichtigen Beitrag zum Umweltschutz. Wenden Sie sich bitte an Ihre örtlichen Behörden, wenn Sie weitere Informationen über die Sammelstellen in Ihrer Umgebung benötigen.

## 6 Betrieb eines Sprechfunkgeräts

Um über Sprechfunkgeräte kommunizieren zu können, müssen alle auf den gleichen Kanal und Subkanal (CTCSS/DCS) eingestellt sein und sich innerhalb der Empfangsreichweite befinden (bis max. 10 km im Freien). Da diese Geräte freie Frequenzbänder (Kanäle) verwenden, benutzen alle in Betrieb befindlichen Geräte diese Kanäle gleichzeitig (insgesamt 8 Kanäle - siehe Anhang A). Daher ist die Privatsphäre nicht gewährleistet. Jede Person mit einem Sprechfunkgerät, das auf Ihren Kanal eingestellt ist, kann Ihr Gespräch mithören. Möchten Sie kommunizieren (Übertragen einer Sprechverbindung), drücken Sie die PTT-Taste (14). Sobald diese Taste gedrückt ist, schaltet sich das Gerät in den Sendemodus und Sie können in das Mikrofon sprechen. Alle Sprechfunkgeräte innerhalb der Reichweite, die auf denselben Kanal eingestellt sind und sich im Standby-Modus befinden (nicht im Sendemodus), hören Ihre Nachricht. Zum Antworten müssen Sie abwarten, bis die andere Seite mit dem Sprechen fertig ist. Wenn der Quittungston aktiviert ist (siehe Kapitel "12.12 Bestätigungston (Roger Beep) ein-/ausschalten"), sendet das Gerät am Ende jeder Übertragung einen Ton. Zum Antworten drücken Sie einfach die PTT-Taste (14) und sprechen in das Mikrofon.



**Drücken Sie zwei oder mehr Benutzer die PTT-Taste (14) gleichzeitig, so wird der Empfänger nur das stärkste Signal empfangen. Alle anderen Signale werden unterdrückt. Daher sollte Sie nur ein Signal übertragen (die PTT-Taste (14) drücken), wenn der Kanal frei ist.**



**Die Reichweite der Funkwellen wird stark durch Hindernisse wie beispielsweise Gebäude, Beton- und Metallstrukturen, Unebenheiten in der Landschaft, Bewaldungen, Bepflanzungen usw. beeinträchtigt. Das bedeutet, dass die Reichweite zwischen zwei oder mehreren Sprechfunkgeräten in einigen extremen Fällen auf einige Dutzend Meter beschränkt sein kann. Sie werden schnell feststellen, dass ein Sprechfunkgerät am besten funktioniert, wenn zwischen den Benutzern nur wenige Hindernisse vorhanden sind.**

## 7 Packungsinhalt

- 2 x Twinalker 5400
- 1 x Duo-Ladegerät
- 1 x Netzteil
- 2 x NiMH-Akkupack
- 2 x Gürtelclip
- Bedienungsanleitung

## 8 Inbetriebnahme

### 8.1 Befestigen / Lösen des Gürtelclips

- Um den Gürtelhalter vom Gerät zu entfernen, drücken Sie den Gürtelhalter (B) in Richtung Antenne, während Sie an der Lasche des Halters (A) ziehen.
- Wenn Sie den Gürtelhalter wieder montieren, zeigt ein Klicken an, dass der Gürtelhalter eingerastet ist.

### 8.2 Akkus einlegen

- Öffnen Sie das Akkufach. Ziehen Sie die Lasche (C) nach unten.
- Setzen Sie den Akku ein. Auf dem Etikett des Akkupacks ist abgebildet, in welcher Position das Akkupack korrekt eingelegt wird.
- Bevor Sie das Batteriefach mit dem Deckel verschließen, prüfen Sie die Gummidichtung. Vergewissern Sie sich, dass die Dichtung unversehrt ist und sich keine Fremdkörper unter der Dichtung befinden.
- Schließen Sie das Akkufach und schließen Sie die Klappe mithilfe der Lasche.

### 9 Laden der Akkus

Die Tischladestation ist eine praktische Lademöglichkeit.

- Stellen Sie das Ladegerät auf eine ebene Oberfläche.
- Stecken Sie ein Ende des mitgelieferten Netzadapters in eine leicht erreichbare Steckdose und das andere Ende in den Anschluss auf der Rückseite der Ladestation.
- Achten Sie darauf, dass das Funkgerät ausgeschaltet ist.
- Schieben Sie das Funkgerät in das Ladegerät.
- Die Lade-LED leuchtet auf, wenn das Gerät richtig eingelegt ist und aufgeladen wird.

Das vollständige Aufladen des NiMH-Akkus dauert etwa 16 Stunden.





Die Batterien/Akkus weder kurzschließen noch im Feuer entsorgen. Entfernen Sie die Batterien/Akkus, wenn das Gerät längere Zeit nicht verwendet wird. Laden Sie im Ladegerät keine nicht aufladbaren Batterien wie Alkali-Batterien auf. Hierdurch können die Sprechfunkgeräte und das Ladegerät beschädigt werden.

## 10 Beschreibung

Siehe Abbildung 1 auf der ausklappbaren Umschlagseite

1. Antenne
2. LCD-Anzeige
3. Optionaler Kopfhöreranschluss
4. Optionaler Ladegeräteanschluss
5. Ein/Aus- / Menü-Taste
6. Lautsprecherlautstärke anheben
7. Lautsprecherlautstärke senken
8. Mikrofon
9. Lautsprecher
10. Anruf / Tastatursperre
11. Kanal nach unten CH
12. Kanal nach oben CH
13. Überwachungstaste MON
14. PTT-Taste

## 11 Informationen zum LCD-Display

Siehe Abbildung 2 auf der ausklappbaren Umschlagseite

15. RX-Symbol
16. Batterieladeanzeige
17. TX-Symbol
18. Tastensperre-Symbol
19. Lautstärke-Symbol
20. Vox-Symbol
21. Kanalanzeige
22. Subkanalanzeige
23. Scan-Symbol
24. Anruf-Symbol

## 12 Betrieb des Twintalker 5400



Blinkende Segmente und Symbole der Displayanzeige werden in dieser Bedienungsanleitung hellgrau dargestellt.

### 12.1 Ein-/Ausschalten des Geräts



Zum Einschalten:

- Halten Sie die -Taste 2 Sekunden lang gedrückt. Sie hören einen Signalton, und im LCD-Display erscheint der aktuelle Kanal.

Zum Ausschalten:

- Halten Sie die -Taste 2 Sekunden lang gedrückt. Sie hören einen Signalton und das LCD-Display zeigt nichts mehr an.

### 12.2 Batterieladestatus / Anzeige schwache Batterie

Der Batterieladestatus wird mit dem Batteriesymbol auf dem LCD-Display angezeigt.



Batterie/Akku voll



Batterie/Akku schwach



Batterie/Akku fast leer



Wenn der Akku fast leer ist, schaltet sich das Gerät nach 30 Sekunden automatisch AB.

### 12.3 Einstellen der Lautsprecherlautstärke

Die Lautstärke des Lautspechrs ist in 8 Stufen einstellbar (0..7)



- Drücken Sie die -Taste im Standby-Modus, um die Lautsprecherlautstärke zu erhöhen. Der Lautstärke wird angezeigt.
- Drücken Sie die -Taste , um die Lautstärke zu verringern.
- Nach 5 Sekunden kehrt das Gerät in den Leerlauf zurück.

### 12.4 Empfangen von Signalen

Das Gerät befindet sich immer im Empfangsmodus, wenn es eingeschaltet ist und nicht sendet.



Damit andere Ihre Übertragung empfangen können, müssen sie ihre Geräte auf denselben Kanal und Subkanal eingestellt haben (Kapitel 12.6 und 12.7).

### 12.5 Senden eines Signals



- Halten Sie zum Senden die PTT-Taste gedrückt. Das TX-Symbol erscheint im Display.
- Halten Sie das Gerät in einer senkrechten Position mit dem Mikrofon 10 cm vor dem Mund. Sprechen Sie in das Mikrofon .
- Lassen Sie die PTT-Taste los, wenn Sie die Übertragung beenden möchten.

### 12.6 Wechseln des Kanals



- Verwenden Sie die CH -Taste bzw. die CH -Taste , um den höheren bzw. tieferen Kanal zu wählen
- Drücken Sie die PTT - Taste zur Bestätigung.

### 12.7 Subkanäle: CTCSS (Continuous Tone Coded Squelch System) / DCS (Digital Coded Squelch)

Lizenzfreien Sprechfunkgeräten, die auf dem Frequenzband 446 MHz senden, stehen 8 Funkkanäle zur Verfügung. Falls in Ihrer Nachbarschaft viele Sprechfunkgeräte im Einsatz sind, besteht die Möglichkeit, dass einige der Benutzer denselben Funkkanal verwenden.

Um zu vermeiden, dass Sie Signale von anderen Benutzern empfangen, wurden Subkanäle integriert.

Zwei Sprechfunkgeräte können nur miteinander kommunizieren, wenn sie auf demselben Funkkanal senden und genau denselben Subkanal ausgewählt haben.

Es gibt zwei Arten von Subkanälen:

- Continuous Tone Coded Squelch System (CTCSS)
- Digital Coded Squelch (DCS)

Bei Verwendung von CTCSS wird ein Ton mit niedriger Frequenz (zwischen 67 und 250 Hz) zusammen mit dem Sprachsignal übertragen. Es stehen 38 verfügbare Töne zur Auswahl. Sie können aus den 38 zur Verfügung stehenden Tönen einen beliebigen auswählen. Aufgrund der Filterung sind diese Töne im Allgemeinen nicht zu hören, sodass sie die Kommunikation nicht stören. DCS funktioniert ähnlich wie CTCSS, aber anstatt einen kontinuierlichen Ton einer ausgewählten Frequenz zu senden, wird dem Funksignal eine digitale Datenübertragung hinzugefügt. Dieser digitale Code wird mit einer sehr niedrigen Rate von etwa 134 Bit pro Sekunde übertragen (der Code ist 23 Bit lang). Nur Sprechfunkgeräte der jüngsten Generation unterstützen DCS. Es können 83 verfügbare DCS-Codes verwendet werden. Da ältere Modelle nur CTCSS unterstützen, empfiehlt sich die Verwendung von DCS, um zu verhindern, dass andere Benutzer bei Ihren Gesprächen mit dem Funkgerät zu hören sind.

### 12.7.1 Wechseln der Subkanäle



- Drücken Sie die  $\leftarrow$  - Taste  $\textcircled{5}$  : Der derzeit ausgewählte Subkanal (bzw. "oF" im Fall keines Subkanals) blinkt.
- Drücken Sie die **CH▲** - Taste  $\textcircled{12}$  oder die **CH▼** - Taste  $\textcircled{11}$  , um den gewünschten Subkanal auszuwählen.  
1...38: CTCSS-Code (1...38)  
39..121: DCS-Code (1...83)
- Drücken Sie die **PTT** - Taste  $\textcircled{14}$  zur Bestätigung.



Anhang B enthält alle detaillierten Informationen über die CTCSS- und DCS- Subkanal-Codes.

### 12.8 Einen Ruf tätigen



Durch Drücken der  $\text{call}$  - Taste  $\textcircled{10}$  wird ein Anrufton an die anderen Benutzer des gleichen Kanals/Subkanals übertragen. Damit zeigen Sie an, dass Sie ein Gespräch beginnen möchten.

- Drücken Sie die  $\text{call}$  - Taste  $\textcircled{10}$



Es stehen 5 verschiedene Ruftöne zur Verfügung. Sie können einen Rufton im Menü auswählen:

- Drücken Sie hierzu die  $\leftarrow$  - Taste  $\textcircled{5}$  vier Mal
- Drücken Sie die **CH▲** - Taste  $\textcircled{12}$  oder die **CH▼** - Taste  $\textcircled{11}$  , um den gewünschten Rufton auszuwählen.
- Drücken Sie die Taste **PTT**  $\textcircled{14}$  zur Bestätigung.

### 12.9 Überwachung

Mit der Überwachungsfunktion können Sie schwächere Signale im aktuellen Kanal suchen.

- Drücken Sie die **MON** - Taste  $\textcircled{13}$  , um die Überwachung zu starten.
- Wenn Sie diese Taste länger als 3 Sekunden gedrückt halten, aktivieren Sie die kontinuierliche Überwachung.
- Drücken Sie die Taste erneut, um die Überwachungsfunktion zu deaktivieren.

### 12.10 Kanalsuchlauf

Der Kanalsuchlauf sucht in einer Endlosschleife in den Kanälen 1 bis 8 nach aktiven Signalen. Sobald ein aktiver Kanal gefunden wird, hört der Suchlauf auf und Sie können die Übertragung abhören. Wenn die Übertragung auf dem gefundenen Kanal endet, wird der Suchlauf nach 2 Sekunden automatisch fortgesetzt. Wenn Sie die PTT - Taste  $\textcircled{15}$  auf dem gefundenen Kanal drücken, hält der Suchlauf an und das Funkgerät bleibt auf diesem Kanal.



- Drücken Sie hierzu die  $\leftarrow$  - Taste  $\textcircled{5}$  zwei Mal.
- Drücken Sie die **CH▲** - Taste  $\textcircled{12}$  oder die **CH▼** - Taste  $\textcircled{11}$  , um Y für den Suchlauf auszuwählen.
- Drücken Sie die  $\leftarrow$  - Taste  $\textcircled{5}$  zur Bestätigung: Der Suchlauf wird gestartet.
- Der Suchlauf wird abgebrochen, sobald die **PTT** - Taste  $\textcircled{14}$  gedrückt wird.

### 12.11 VOX

Beim Anschluss eines optionalen Kopfhörers (ohne PTT-taste) kann die sprachaktivierte Übertragungsfunktion (VOX) benutzt werden. Somit braucht der Benutzer die PTT-Taste zum Start der Übertragung nicht zu drücken. Der Twintalker 5400 beginnt die Übertragung, sobald Sie in das Mikrofon am Kopfhörer sprechen.



- Drücken Sie hierzu die  $\leftarrow$  - Taste  $\textcircled{5}$  drei Mal.
- Drücken Sie die **CH▲** - Taste  $\textcircled{12}$  oder die **CH▼** - Taste  $\textcircled{11}$  , um die VOX-Stärke auszuwählen oder oF, um den VOX-Modus abzuschalten. (Es gibt 5 VOX-Stufen).
  - Stufe 1 : Sehr sensibel für ruhige Umgebungen
  - ....
  - Stufe 5 : Niedrigste Sensibilität für laute Umgebungen
- Drücken Sie die **PTT** - Taste  $\textcircled{14}$  zur Bestätigung.

### 12.12 Bestätigungston (Roger Beep) ein-/ausschalten

Wenn Sie die PTT - Taste  $\textcircled{15}$  freigeben, sendet das Gerät einen Bestätigungston, wenn Sie das Gespräch beendet haben.



Der Bestätigungston kann ein- oder ausgeschaltet werden:

- Drücken Sie hierzu die  $\leftarrow$  - Taste  $\textcircled{5}$  fünf Mal.
- Benutzen Sie die **CH▲** - Taste  $\textcircled{12}$  oder die **CH▼** - Taste  $\textcircled{11}$  , um den Bestätigungston zu aktivieren (Y) oder zu deaktivieren (n).
- Drücken Sie die **PTT** - Taste  $\textcircled{14}$  zur Bestätigung.

### 12.13 Tastenton ein-/ausschalten

Wenn Sie eine Taste drücken, hören Sie einen Ton.



Der Tastenton kann ein- oder ausgeschaltet werden:

- Drücken Sie hierzu die  $\leftarrow$  - Taste  $\textcircled{5}$  sechs Mal.
- Benutzen Sie die **CH▲** - Taste  $\textcircled{12}$  für die **CH▼** - Taste  $\textcircled{11}$  , um den Tastenton zu aktivieren (Y) oder zu deaktivieren (n).
- Drücken Sie die **PTT** - Taste  $\textcircled{14}$  zur Bestätigung.

### 12.14 Tastensperre



- Halten Sie die  $\text{call}$  - Taste  $\textcircled{10}$  drei Sekunden lang gedrückt, um die Tastensperre zu aktivieren/deaktivieren.



Nach Aktivierung der Tastensperre bleiben PTT - Taste  $\textcircled{14}$  , Lautstärkereger, Überwachungstaste (MON) und die Ruftaste  $\text{call}$  betriebsbereit. Alle anderen Tasten sind gesperrt.

## 13 Garantie

### 13.1 Garantiezeit

Die Geräte haben eine Garantiezeit von 24 Monaten. Die Garantiezeit beginnt an dem Tag, an dem das neue Gerät gekauft wird. Die Garantie gilt nicht für Batterien oder wiederaufladbare Akkus. Verbrauchsmaterialien und Schäden, die unbedeutende Auswirkungen auf den Betrieb oder den Wert des Geräts haben, sind nicht abgedeckt. Der Garantiespruch muss durch Vorlage des Originalkaufbelegs oder einer Kopie des Kaufbelegs nachgewiesen werden, aus dem das Kaufdatum und das Gerätermodell ersichtlich sind.

### 13.2 Garantieausschlüsse

Schäden oder Defekte, die durch unsachgemäße Handhabung oder unsachgemäßen Betrieb verursacht werden, sowie Defekte, die durch die Verwendung von Nicht-Originalteilen oder -zubehör entstehen, fallen nicht unter die Garantie. Die Garantie deckt weder Schäden durch äußere Einflüsse, wie Blitzschlag, Wasser und Feuer, noch Transportschäden ab. Wenn die Seriennummer des Geräts verändert, entfernt oder unleserlich gemacht wurde, kann kein Garantiespruch geltend gemacht werden. Alle Garantiesprüche erlöschen, wenn das Gerät vom Käufer repariert, verändert oder umgebaut wurde.

Dieses Produkt entspricht den grundlegenden Anforderungen und anderen relevanten Bestimmungen der R & TTE-Richtlinie 1995/5/EG.

Die Konformitätserklärung finden Sie auf folgender Internetseite:  
<http://www.topcom.net/support/cedclarations.php>

## 1 Introducción

Gracias por adquirir la unidad Twintalker 5400. Se trata de un aparato de radiocomunicación de baja potencia y largo alcance de máximo 10 km. No tiene más costes de funcionamiento que los costes mínimos de recarga de las pilas. El Twintalker funciona en 8 canales.

### 1.1 Finalidad

Puede utilizarse con fines recreativos. Por ejemplo: para mantener la comunicación si se viaja en dos o más coches, si se viaja en bicicleta o si se practica esquí. Puede emplearse para mantenerse en contacto con los niños mientras juegan en el exterior, etcétera.

### 2 Marca CE

El sello CE de la unidad, el manual de usuario y la caja corroboran la conformidad del equipo con los requisitos básicos de la directiva 1995/5/CE sobre equipos radioeléctricos y terminales de telecomunicación (RTTE, por sus siglas en inglés).

## 3 Instrucciones de seguridad

### 3.1 General

Llea atentamente la siguiente información acerca de la seguridad y el uso apropiado. Familiarícese con todas las funciones del aparato. Guarde este manual en un lugar seguro para futuras consultas.

#### 3.2 Quemaduras

- No toque la antena si se daña la tapa; si una antena entra en contacto con la piel durante una transmisión, puede provocar una pequeña quemadura.
- Las pilas pueden ocasionar daños como quemaduras al contacto de los terminales expuestos con cualquier material conductor como joyas, llaves o cadenas, ya que el material puede completar un circuito eléctrico (cortocircuito) y calentarse bastante. Tenga cuidado al manipular pilas cargadas, sobre todo si las introduce con otros objetos metálicos en un bolsillo, un bolso u otro lugar.

#### 3.3 Lesiones

- No coloque el dispositivo sobre un airbag ni en su radio de acción. Los airbags se inflan con mucha fuerza. Si se coloca un PMR en el radio de acción de un airbag y este se infla, el comunicador puede salir propulsado con gran fuerza y causar lesiones graves a los ocupantes del vehículo.
- Mantener el PMR a al menos 15 centímetros de un marcapasos.
- Apagar el aparato en cuanto se produzcan interferencias con cualquier equipo médico.

#### 3.4 Riesgo de explosión

- No sustituya las pilas en un ambiente potencialmente explosivo. Durante la instalación o la retirada de las pilas pueden producirse chispas y causar una explosión.
- Apagar el PMR siempre que se esté en una zona con un ambiente potencialmente explosivo. Las chispas en esas zonas pueden provocar explosiones o incendios que pueden causar lesiones corporales e incluso la muerte.
- No tire nunca las pilas al fuego, pueden explotar.



Aunque no siempre es así, las zonas con ambientes potencialmente explosivos suelen estar claramente marcadas. Entre ellas, se cuentan las zonas de repostaje como las situadas bajo cubierta en los barcos y las instalaciones de almacenamiento o transferencia de sustancias químicas o combustibles, las zonas en las que el aire contiene sustancias químicas o partículas como grano, polvo o polvo metálico y cualquier otra zona en la que seuela recomendarse apagar el motor de los vehículos.

#### 3.5 Riesgo de envenenamiento

- Mantenga las pilas fuera del alcance de los niños.

#### 3.6 Cuestiones legales

- En algunos países, está prohibido utilizar el PMR mientras se conduce. Si es el caso, deje de conducir antes de utilizar el aparato.
- Apague la unidad en los aviones, cuando se le solicite. Cualquier uso de ella debe cumplir las normas de la línea aérea o las instrucciones de la tripulación.
- Apague la unidad en cualquier instalación en la que se le solicite mediante avisos. Los hospitales o centros sanitarios pueden usar equipos sensibles a la energía externa de RF.
- La sustitución o la modificación de la antena pueden afectar a las especificaciones del PMR e infringir la normativa de la CE. Las antenas no autorizadas también pueden dañar la radio.

#### 3.7 Notas

- No toque la antena durante la transmisión, podría afectar al alcance.
- Quite las pilas si no se va a utilizar el dispositivo durante mucho tiempo.

## 4 Limpieza y mantenimiento

- Limpie la unidad con un paño suave humedecido. No utilice productos de limpieza ni disolventes, ya que podrían dañar la carcasa, filtrarse y causar daños permanentes.
- Limpie los contactos de las pilas con un paño seco sin hilachas.

## 5 Eliminación del dispositivo (medio ambiente)



Al final de su vida útil, este dispositivo no debe ser desechado en un contenedor normal, sino en un punto de recogida destinado al reciclaje de dispositivos eléctricos y electrónicos. Así lo indica el símbolo en el dispositivo, en el manual de usuario y / o en la caja. Si lo lleva a un punto de reciclaje, algunos de los materiales del dispositivo podrán reutilizarse. La reutilización de algunas de las piezas o materias primas de los dispositivos usados supone una importante contribución a la protección del ambiente. Si necesita más información sobre los puntos de reciclaje existentes en su zona, póngase en contacto con las autoridades locales correspondientes.

## 6 Uso de un dispositivo PMR

Para que la comunicación entre dispositivos PMR sea posible, estos deben estar en el mismo canal y subcanal (CTCSS / DCS), y dentro del alcance (máximo 10 km en campo abierto). Dado que utilizan bandas de frecuencias libres (canales), todos los dispositivos activos comparten estos canales (8 en total; véase el Anexo A). Por tanto, la privacidad no está garantizada. Cualquier persona con un PMR en el mismo canal puede escuchar cualquier conversación transmitida a través de él. Si desea comunicarse (transmitir una señal de voz), debe pulsar la tecla PTT (14).

Una vez pulsada esta tecla, el dispositivo pasará al modo de transmisión y se podrá hablar a través del micrófono. Todos los demás dispositivos PMR que se encuentren dentro del alcance, en el mismo canal y en el modo de espera (sin transmitir) oírán el mensaje. Para poder responder a un mensaje, hay que esperar a que la otra parte deje de transmitir. Al final de cada transmisión, la unidad emitirá un pitido si está activado el pitido Roger de "corto y cambio" (consulte el apartado "12.12 Activación y desactivación del pitido Roger"). Para responder, solo hay que pulsar la tecla PTT (14) y hablar a través del micrófono.



Si dos o más usuarios pulsan la tecla PTT (14) a la vez, el receptor recibirá solo la señal más fuerte y las otras señales se suprimirán. Por lo tanto, solo se debe transmitir una señal (pulsar la tecla PTT (14)) cuando el canal está libre.



El alcance de las ondas de radio se verá fuertemente afectado por obstáculos, como edificios, estructuras metálicas o de hormigón, árboles, plantas, la irregularidad del terreno, etcétera. Esto implica que, en algunos casos extremos, el alcance entre dos o más dispositivos PMR puede verse restringido a unas pocas decenas de metros. Enseguida se percatará de que el dispositivo PMR funciona mejor cuando hay un mínimo de obstáculos entre los usuarios.

## 7 Contenido del paquete

- 2 Twintalker 5400
- 1 cargador dúo
- 1 adaptador de corriente
- 2 pilas de NiMH
- 2 clips para el cinturón
- Manual de usuario

## 8 Introducción

### 8.1 Retirada e instalación del clip del cinturón

- Empuje el clip del cinturón (B) hacia la antena y tire de la pestaña (A) para retirarlo de la unidad.
- Vuelva a instalar el clip del cinturón; un clic indicará que está bien colocado.

### 8.2 Instalación de las pilas

- Abra el compartimiento de las pilas. Pulse el pestillo (C) hacia abajo.
- Introduzca la pila. En la etiqueta de la pila se indica la posición correcta.
- Antes de cerrar el compartimiento, compruebe el precinto de goma que lo rodea. El precinto debe estar en buen estado y libre de objetos extraños.
- Cierre el compartimiento de las pilas y bloquee la tapa de las pilas mediante el pestillo.

### 9 Carga de las pilas

El cargador de sobremesa permite cargar la pila cómodamente.

- Coloque el cargador de sobremesa sobre una superficie plana.
- Conecte un extremo del adaptador suministrado a una toma de corriente de acceso fácil y el otro al conector situado en la parte posterior del cargador de sobremesa.
- Compruebe que la radio está apagada.
- Coloque la radio en el cargador.
- Si está bien insertada y cargándose, el LED de carga se encenderá.

Las pilas de NiMH tardarán unas 16 horas en cargarse por completo.





**No cortocircuite las pilas ni las tire al fuego. Retírelas si no va a utilizar el dispositivo durante mucho tiempo.**  
**No utilice el cargador para recargar pilas que no sean recargables, como las pilas alcalinas.**  
**El dispositivo PMR y el cargador podrían resultar dañados.**

## 10 Descripción

Consulte la imagen 1 de la página doblada de la portada.

1. Antena
2. Pantalla LCD
3. Conector de auriculares opcional
4. Conector de cargador opcional
5. Tecla de encendido / apagado / Menú
6. Subir volumen del altavoz ▲ /
7. Bajar volumen del altavoz ▼ /
8. Micrófono
9. Altavoz
10. Tecla de llamada / bloqueo de teclado
11. Bajar canal CH ▼
12. Subir canal CH ▲
13. Tecla de rastreo MON
14. Tecla PTT

## 11 Información de la pantalla LCD

Consulte la imagen 2 de la página doblada de la portada.

15. Icono RX
16. Indicación del nivel de pilas
17. Icono TX
18. Icono de bloqueo de teclado
19. Icono de volumen
20. Icono VOX
21. Indicación de canal
22. Indicación de subcanales
23. Icono de barrido
24. Icono de llamada

## 12 Uso del Twintalker 5400



En este manual de usuario, si los segmentos e iconos de las pantallas aparecen en gris claro, significa que están parpadeando.

### 12.1 Encendido y apagado de la unidad



Para encender:

- Mantenga pulsada la tecla durante 2 segundos. El aparato emitirá un pitido y la pantalla LCD mostrará el canal actual.

Para apagar:

- Mantenga pulsada la tecla durante 2 segundos. El aparato emitirá un pitido y la pantalla LCD se apagará.

### 12.2 Nivel de carga de la pila / Indicación de carga baja

El nivel de carga de la pila se indica con el icono de la pila en la pantalla LCD.



Pilas cargadas



La pila se está agotando



Pilas casi agotadas



Cuando la pila está casi descargada, la unidad se apagará automáticamente después de 30 segundos.

### 12.3 Ajuste del volumen del altavoz

El volumen del altavoz tiene 8 niveles (0-7).



- Pulse la ▲ tecla en el modo de espera para subir el volumen del altavoz. Se mostrará el nivel del volumen.
- Pulse la ▼ tecla para bajar el volumen del altavoz.
- Tras cinco segundos, la unidad volverá al estado de inactividad.

### 12.4 Recepción de una señal

Cuando está encendida pero sin transmitir, la unidad se encuentra en modo de recepción.



Para que otras personas puedan recibir una transmisión, deben encontrarse en el mismo canal y tener el mismo subcanal (apartados 12.6 y 12.7).

### 12.5 Transmisión de una señal



- Mantenga pulsada la tecla PTT para transmitir. Aparecerá el símbolo TX.
- Mantenga la unidad en posición vertical con el micrófono a 10 cm de la boca y hable a través de él .
- Suelte la tecla PTT cuando quiera dejar de transmitir.

### 12.6 Cambio de canales



- Pulse la CH ▲ tecla o la CH ▼ tecla para subir o bajar el canal.
- Pulse la tecla PTT para confirmar

### 12.7 Subcanales: CTCSS (sistema silenciador con código por tono continuo) / DCS (silenciador con código digital)

Los dispositivos PMR que no necesitan licencia y funcionan en la banda de frecuencia de 446 MHz tienen 8 canales de radio disponibles. Si hay muchos usuarios de dispositivos PMR en las cercanías, algunos de ellos podrían estar utilizando el mismo canal de radio.

Para que no reciba la señal de otros usuarios, se han integrado subcanales.

Dos dispositivos PMR solo podrán comunicarse entre sí si utilizan el mismo canal de radio y han seleccionado exactamente el mismo subcanal.

Hay dos tipos de subcanales:

- Sistema silenciador con código por tono continuo (CTCSS)
- Silenciador con código digital (DCS)

Si se utiliza el CTCSS, se transmitirá un tono de baja frecuencia (entre 67 y 250 Hz) junto con la señal de voz. Hay 38 tonos diferentes para elegir. Puede seleccionar uno de estos 38 tonos. Como consecuencia del filtrado, los tonos no suelen ser audibles para que no interfieran en la comunicación.

El DCS es parecido al CTCSS, pero en lugar de emitir un tono continuo en la frecuencia seleccionada, se añade una transmisión digital de datos a la señal de radio. Este código digital se transmite a una velocidad muy lenta, de aproximadamente 134 bits por segundo (el código tiene una longitud de 23 bits). Solo los dispositivos PMR de última generación son compatibles con el DCS. Hay 83 códigos DCS disponibles para su uso. Dado que los modelos más antiguos solo son compatibles con el CTCSS, se recomienda utilizar el DCS para evitar escuchar a otros usuarios durante las conversaciones con el dispositivo PMR.



### 12.7.1 Cambio de subcanales



- Pulse la tecla : El subcanal seleccionado actualmente parpadeará (o «oF» si no hay ningún subcanal).
- Pulse la **CH▲** tecla o la **CH▼** tecla para seleccionar el subcanal:  
1..38: código CTCSS (1-38)  
39..121: código DCS (1-83)
- Pulse la tecla **PTT** para confirmar



En el anexo B encontrará toda la información sobre los códigos de subcanal CTCSS y DCS.

### 12.8 Realización de una llamada



Cuando pulsa la tecla transmite un tono de llamada a los otros usuarios que están en el mismo canal / subcanal.

Esto significa que quiere iniciar una conversación.

- Pulse la tecla .



Existen 5 tonos de llamada diferentes. Puede seleccionar el tono de llamada en el menú:

- Pulse el botón cuatro veces
- Con la **CH▲** tecla o la **CH▼** tecla seleccione el tono de llamada
- Pulse la tecla **PTT** para confirmar.

### 12.9 Rastreo

La función de rastreo se puede utilizar para buscar señales más débiles en el canal activo.

- Pulse la tecla **MON** para iniciar el rastreo.
- Si mantiene pulsada la tecla durante más de 3 segundos, la radio pasará a modo de rastreo continuo.
- Pulse la tecla de nuevo para desactivar la función de rastreo.

### 12.10 Barrido de canal

El barrido de canal busca señales activas en un bucle continuo del canal 1 al 8.

En cuanto se localiza un canal activo, el barrido se detiene y puede escuchar la conversación.

Si no hay más actividad en el canal encontrado, el barrido se reanuda después de dos segundos.

Si pulsa la tecla **PTT** en el canal encontrado, la función de barrido finalizará y la radio permanecerá en este canal.



- Pulse la tecla dos veces
- Con la **CH▲** tecla o la **CH▼** tecla seleccione **Y** para el barrido.
- Pulse la tecla para confirmar. Comenzará el barrido.
- Pulse la tecla **PTT** para detener el barrido.

### 12.11 VOX

Cuando se conectan unos auriculares opcionales (sin tecla **PTT**), se puede utilizar la función de transmisión activada por voz (VOX).

De este modo, el usuario no necesita pulsar el botón **PTT** para iniciar la transmisión. El Twintalker 5400 comenzará la transmisión cuando empiece a hablar a través del micrófono de los auriculares.



- Pulse la tecla tres veces
- Con la **CH▲** tecla o la **CH▼** tecla seleccione el nivel de VOX o oF para desactivar la función VOX. (hay 5 niveles de VOX)
- Nivel 1: Alta sensibilidad para entornos silenciosos
- ....
- Nivel 5: Baja sensibilidad para entornos ruidosos
- Pulse la tecla **PTT** para confirmar

### 12.12 Activación y desactivación del pitido Roger

Cuando suelte la tecla **PTT** , la unidad enviará un pitido Roger para confirmar que ha dejado de hablar.



Puede activar o desactivar el pitido Roger:

- Pulse la tecla cinco veces
- Con las teclas **CH▲** o **CH▼** puede activar (Y) o desactivar (n) el pitido Roger
- Pulse la tecla **PTT** para confirmar

### 12.13 Tecla para activar / desactivar el sonido

Cuando pulse una tecla, oír un tono.



Puede activar o desactivar el sonido de las teclas:

- Pulse la tecla seis veces
- Con las teclas **CH▲** o **CH▼** puede activar (Y) o desactivar (n) el tono de las teclas
- Pulse la tecla **PTT** para confirmar

### 12.14 Bloqueo del teclado



- Mantenga pulsado la tecla durante 3 segundos para activar / desactivar la función de bloqueo del teclado.



Cuando el bloqueo de teclas está activado, la tecla **PTT**, las teclas de control del volumen, la tecla de rastreo (**MON**), la tecla de llamada y la seguirán funcionando. Las demás teclas estarán bloqueadas.

## 13 Garantía

### 13.1 Período de garantía

Los dispositivos tienen un período de garantía de 24 meses. El período de garantía entra en vigor el día en que se adquiere el nuevo dispositivo. No existe ninguna garantía sobre las pilas estándar o recargables.

La garantía no cubre los consumibles ni los defectos que tengan un efecto insignificante en el funcionamiento o en el valor del dispositivo. La garantía debe demostrarse presentando el comprobante original de compra o una copia de este, en la que constarán la fecha de la compra y el modelo del dispositivo.

### 13.2 Limitaciones de la garantía

Los daños o defectos ocasionados por un tratamiento o funcionamiento incorrectos, así como los daños resultantes del uso de piezas o accesorios no originales, no estarán cubiertos por esta garantía.

La garantía no cubre los daños ocasionados por factores externos, como relámpagos, agua o fuego, como tampoco los daños causados durante el transporte. La garantía no será válida si el número de serie de los dispositivos se cambia, se elimina o resulta ilegible. Cualquier reclamación de la garantía se invalidará si el dispositivo ha sido reparado, alterado o modificado por el comprador.

Este producto cumple con los requisitos esenciales y con el resto de disposiciones relevantes de la norma R&TTE, directiva 1999/5/CE.

Puede consultar la declaración de conformidad en:  
<http://www.topcom.net/support/cedclarations.php>

## 1 Inledning

Tack för ditt köp av Twinalker 5400. Det är en lägförbrukande radiokommunikationsapparat för kortdistans med en räckvidd på maximalt 10 km. Den har inga andra driftkostnader än de minimala kostnaderna för att ladda batterierna. Twinalker 5400 har 8 kanaler

### 1.1 Avsedd användning

Den kan användas i olika fritidssammanhang. Exempel: för att hålla kontakt under resa med två eller fler bilar, vid cykling och skidåkning. Du kan använda den för att hålla kontakt med dina barn när de är ute och leker etc.

## 2 CE-märkning

Apparatens, bruksanvisningens och förpackningens CE-symbol anger att enheten uppfyller de grundläggande kraven i R&TTE-direktivet 1995/5/EC.

## 3 Säkerhetsanvisningar

### 3.1 Allmän information

Läs nog igenom den följande informationen om säkerhet och korrekt användning. Bekanta dig med enhetens alla funktioner. Spara bruksanvisningen på ett säkert ställe för framtida behov.

### 3.2 Brännskador

- Rör inte antennens hölje om det skadats, eftersom en antenn som kommer i kontakt med huden kan orsaka en mindre brännskada vid sändning.
- Batterier kan orsaka materiell skada som brännskador om ledande material som smycken, nycklar eller pärtickedor kommer i kontakt med exponerade poler. Materialet kan fullbordas en elektrisk krets (kortslutning) och bli mycket varmt. Var försiktig när du hanterar laddade batterier, speciellt när du lägger dem i en ficka, väska eller någon annan behållare med metallföremål.

### 3.3 Skador

- Placera inte apparaten över en krockkudde eller i krockkuddens expansionsområde. Krockkuddar blåses upp med stor kraft. Om en PMR placeras i airbagens utvecklingsområde och denna utvecklas, kan kommunikationsradion slungas iväg med stor kraft och orsaka allvarliga skador på fordonets passagerare.
- Håll PMR minst 15 centimeter borta från en pacemaker.
- Stäng AV din PMR så snart en interferens med en medicinsk utrustning äger rum.

### 3.4 Risk för explosion

- Byt inte batterier i en potentiellt explosionsfarlig miljö. Det kan bildas kontaktgnistor när du sätter i eller tar ut batterierna, vilket i sin tur kan orsaka en explosion.
- Stäng av din PMR i områden med potentiellt explosiv miljö. Gnistor i sådana områden kan orsaka en explosion eller brand som kan orsaka kroppsskador eller dödsfall.
- Släng aldrig batterier i en öppen eld eftersom de kan explodera.



**Områden med potentiellt explosiv miljö är ofta, men inte alltid, tydligt markerade. Dessa inkluderar tankningsutrymmen under däck på bilar, överförings- eller förvaringsutrymmen för bränsle eller kemikalier, utrymmen där luften innehåller kemikalier eller partiklar som såd-, damm- eller metallstoft, eller andra sådana utrymmen där du normalt skulle uppmanas att stänga av din fordonsmotor.**

### 3.5 Förgiftningsfara

- Förvara batterierna utom räckhåll för små barn.

### 3.6 Bestämmer

- I vissa länder är det förbjudet att använda PMR-apparater vid bilkörning. Lämna i så fall vägen innan du använder enheten.
- Stäng AV din PMR ombord på flyg när du uppmanas att göra det. All användning av PMR måste vara i enlighet med flygföreskrifter eller besättningsinstruktioner.
- Stäng AV din PMR i alla utrymmen där instruktioner finns uppsatta att göra det. Sjukhus eller vårdinrättningar kan använda utrustning som är känslig för extern RF-energi.
- Utbyte eller modifiering av antennen kan påverka PMR-radions specifikationer och bryta mot CE-lagstiftningen. Oörlätna antenner kan också skada radion.

### 3.7 OBS!

- Rör inte antennen vid sändning eftersom det kan påverka räckvidden.
- Ta ut batterierna om du inte ska använda enheten under en längre tid.

## 4 Rengöring och underhåll

- Rengör enheten genom att torka av med en mjuk trasa fuktad med vatten. Använd inte rengörings- eller lösningsmedel på enheten. De kan skada höljets och låcka in och därmed orsaka permanent skada.
- Batterikontaktorna kan torkas av med en torr, luddfri trasa.

## 5 Kassera enheten (på ett miljövänligt sätt)



När produkten är uttjänt bör du inte kasta den i de vanliga hushållssoptorna utan i stället lämna in den på en återvinningstation för elektrisk och elektronisk utrustning. Produkter, bruksanvisningar och/eller förpackningar försedd med symbolen till vänster markerar detta. En del av produktmaterialet kan återanvändas om du tar det till en återvinningstation. Genom att lämna vissa delar eller råmaterial från använda produkter till återvinning kan du göra en betydande insats för att värna om miljön. Kontakta kommunen om du behöver mer information om närbelägna återvinningsstationer.

## 6 Användning av en PMR-apparat

För att kommunicera mellan PMR-apparater måste alla vara inställda på samma kanal och kod (CTCSS/DTS) inom samma mottagningsområde (upp till max. 10 km i öppen terräng). Eftersom dessa apparater använder fria frekvensband (kanaler), delar alla apparater i drift dessa kanaler (totalt 8 kanaler - se bilaga A). Därför garanteras ingen sekretess. Alla med en PMR inställd på din kanal kan lyssna på konversationen. Om du vill kommunicera (sända en röstsignal) måste du trycka på PTT-knappen (14). När knappen trycks in, går apparaten in i sändningsläge och du kan tala i mikrofonen. Alla andra PMR-apparater i området, på samma kanal och i vänteläge (inte sändande) kan höra ditt meddelande. Du måste vänta tills den andra parten slutar sända innan du kan svara på meddelandet. Vid slutet av varje sändning skickar apparaten en ljudsignal om roger-pipet är aktivt (se kapitel "12.12 Rogerpip (På/Av)"). För att svara, tryck bara på PTT-knappen (14) och tala in i mikrofonen.



**Om 2 eller fler användare trycker på PTT-knappen (14) samtidigt tar mottagaren bara emot den starkaste signalen och de(n) övriga undertrycks. Därför ska du bara sända en signal (tryck PTT-knappen (14)) när kanalen är fri.**



**Räckvidden för radiovågor påverkas kraftigt av hinder som byggnader, betong-/metallkonstruktioner, kuperat landskap, skogsområden, växtlighet osv. Detta innebär att räckvidden mellan två eller flera PMR-apparater i vissa extrema fall kan begränsas till maximalt några tiotal meter. Du kommer snart att upptäcka att PMR fungerar som bäst när det finns så få hinder som möjligt mellan användarna.**

## 7 Förpackningens innehåll

- 2 x Twinalker 5400
- 1 x Duo-laddare
- 1 x Strömadapter
- 2 st. laddningsbara NiMH-batterier
- 2 x Bältesklämma
- Bruksanvisning

## 8 Förberedelser

### 8.1 Sätt i ta av bälteshållaren

- För att ta bort bälteshållaren från enheten ska du trycka hållaren (B) mot antennen samtidigt som du drar i hållarens flik (A).
- När bältesklämma sätts tillbaka indikerar ett klick-ljud att bältesklämma är låst i sitt läge.

### 8.2 Installera batterierna

- Öppna batterifacket. Dra spårhaken (C) nedåt.
- Sätt i batteriet. Märkingen på batterifacket visar korrekt position för batteriet.
- Innan du stänger luckan till batterifacket, kontrollera gummihöjlet runt batterifacket. Se till att höjlet är i gott skick och att det inte finns något skräp under höjlet.
- Stäng batterifacket och läs batteriluckan med hjälp av spårhaken.

## 9 Ladda batterierna

Bordsladdaren är bekvämt i och med att du bara behöver ställa apparaten in den för att starta laddningen.

- Placera skrivbordsladdaren på ett plant underlag.
- Sätt in adaptorns ena ände i ett lättåtkomligt eluttag och den andra i uttaget på bordsladdarens baksida.
- Försäkra dig om att radion är AV.
- Sätt radion i laddaren.
- Laddnings-LED länds om den är riktigt isatt och laddar.

Det tar ca. 16 timmar att ladda Ni-Mh-batterierna helt.





Kortslut inte batterierna och kasta dem inte i öppen eld. Ta ut batterierna om du inte ska använda enheten under en längre tid. Ladda inte standardbatterier som inte är avsedda för uppladdning, t.ex. alkaliska batterier, i laddaren. Detta kan skada PMR-apparaterna och laddaren.

## 10 Beskrivning

Se det utvikbara omslagsbladet - bild 1

1. Antenn
2. LCD-skärm
3. Headsetkontakt (tillval)
4. Kontakt till billaddare (tillval)
5. På/Av-knapp / menyknapp
6. Högtalarvolym upp
7. Högtalarvolym ner
8. Mikrofon
9. Högtalare
10. Ring / Knapplös
11. Kanal ner
12. Kanal upp
13. Övervakningsknapp MON
14. PTT-knapp

## 11 Information på LCD-skärmen

Se det utvikbara omslagsbladet - bild 2

15. RX-ikon
16. Batterinivåindikation
17. TX-ikon
18. Knapplösikon
19. Volymikon
20. VOX-ikon
21. Kanalindikation
22. Indikation för underkanaler
23. Sökitikon
24. Uppringningsikon

## 12 Användning av Twintalker 5400



Om text och ikoner på displayen markeras med ljusgrått betyder det, i denna bruksanvisning, att de blinkar.

### 12.1 Slå PÅ/AV apparaten



För att slå PÅ:

- Tryck på och håll ned -knappen i 2 sekunder. Apparaten "piper" och LCD-displayen visar den nuvarande kanalen.

För att slå AV:

- Tryck på och håll ned -knappen i 2 sekunder. Apparaten "piper" och LCD-displayen släcks.

### 12.2 Indikering av batteriets laddningsnivå och batterivarning

Batteriets laddningsnivå visas med hjälp av batterikonen på LCD-skärmen.



- Batteri fullt
- Svagt batteri
- Batteri nästan tomt



När ett batteri är nästan tomt, stängs enheten av automatiskt AV efter 30 sekunder.

### 12.3 Justera högtalarvolymen

Det finns 8 volymnivåer (0...7).



- Tryck på -knappen i vänteläget för att höja högtalarvolymen. Volymnivån visas.
- Tryck på -knappen för att sänka högtalarvolymen.
- Efter 5 sekunder återställs enheten till vänteläge.

### 12.4 Ta emot en signal

Enheten är hela tiden i mottagarläge när apparaten är påslagen och inte sänder.



För att andra personer ska kunna ta emot din sändning, måste de också vara på samma kanal och ha ställt in samma CTCSS-kod (se kapitel 12,6 och 12,7).

### 12.5 Sända en signal



- Tryck och håll ned PTT -knappen för att sända. TX-symbolen visas.
- Håll apparaten i vertikalt läge med mikrofonen 10cm från munnen och tala in i mikrofonen .
- Släpp PTT -knappen när du vill sluta sända.

### 12.6 Byta kanaler



- Tryck på -knappen eller -knappen för att byta till en högre eller lägre kanal.
- Tryck på knappen PPT för att bekräfta.

### 12.7 Underkanaler: CTCSS (Continuous Tone Coded Squelch System) / DCS (Digital Coded Squelch)

Licensfria PMR-radioapparater som används på 446 MHz-frekvensbandet, har 8 radiokanaler tillgängliga. Om det finns många PMR-användare i närområdet finns det risk för att vissa av dessa användare nyttjar samma radiokanal.

För att undvika att du tar emot signaler från andra användare har underordnade kanaler introducerats.

Två PMR-apparater kan endast kommunicera med varandra när de körs på samma radiokanal, och har valt exakt samma underkanal. Det finns två sorters underkanaler:

- CTCSS (Continuous Tone Coded Squelch System)
- DCS (Digital Coded Squelch)

När CTCSS används sänds en lågfrekvent ton (på mellan 67 och 250 Hz) tillsammans med röstsignalen. Det finns 38 olika toner att välja mellan. Du kan välja vilken som helst av dessa 38 tillgängliga toner. På grund av filtrering kommer dessa toner i allmänhet inte att kunna höras, vilket innebär att de inte stör kommunikationen.

DCS liknar CTCSS, men i stället för att kontinuerligt sända en ton med vald frekvens, adderas en digital dataöverföring till radiosignalen. Denna digitala kod sänds med en synnerligen låg hastighet, ungefär 134 bitar per sekund (koden är 23 bitar lång). Endast PMR-apparater ur den senaste generationen har stöd för DCS. Det finns 83 tillgängliga DCS-koder att välja mellan.

Eftersom tidigare modeller endast stöder CTCSS är det bättre att använda DCS om du vill förhindra att andra användare hörs under din PMR-kommunikation.

### 12.7.1 Byta underkanaler



- Tryck på -knappen (5) : Den valda underkanalen blinkar (eller "AV" om det inte finns någon underkanal).
- Använd **CH▲** -knappen (12) eller **CH▼** -knappen (11) för att välja önskad underkanal:
  - 1..38: CTCSS kod (1...38)
  - 39..121: DCS kod (1...83)
- Tryck på knappen **PPT** (14) för att bekräfta.



Bilaga B visar all detaljerad information om CTCSS och DCS-koder.

### 12.8 Ringa ett samtal



När du trycker på -knappen (10) sänder du en ringsignal till de andra användarna på samma kanal/underkanal.

Detta visar att du vill påbörja ett samtal.

- Tryck på -knappen (10)



Det finns 5 olika ringsignaler: Du kan välja en ringsignal i menyn:

- Tryck på -knappen (5) fyra gånger.
- Använd **CH▲** -knappen (12) eller **CH▼** -knappen (11) för att välja ringsignal.
- Tryck på knappen **PPT** (14) för att bekräfta.

### 12.9 Kanalövervakning

Du kan använda övervakningsfunktionen för att kontrollera svagare signaler på den aktuella kanalen.

- Tryck på **MON** -knappen (3) för att påbörja kanalövervakningen.
- Om du håller inne den här knappen i mer än 3 sekunder, försätts radion i kanalövervakningsläge.
- Tryck på knappen igen när du vill avbryta kanalövervakningen.

### 12.10 Kanalsökning

Med kanalsökning kan du utföra en sökning efter aktiva signaler i en ändlös slinga från kanal 1 till 8.

Så snart en aktiv kanal hittas avbryts sökningen så att du kan lyssna på samtalet.

När sändningen på den hittade kanalen upphör kommer sökningen att fortsätta automatiskt efter 2 sekunder.

Om du trycker på PTT-knappen (15) på den valda kanalen, avslutas sökningen och radion står kvar på denna kanal.



- Tryck på -knappen (5) två gånger.
- Använd **CH▲** -knappen (12) eller **CH▼** -knappen (11) för att välja Y för sökning.
- Tryck på -knappen (5) för att bekräfta: Sökningen börjar
- Tryck på **PTT** -knappen (14) för att avsluta sökningen.

### 12.11 VOX

När ett headset utan knappen **PPT** (tillval) är anslutet kan funktionen för röstaktiverad sändning (VOX) användas.

Då behöver användaren inte trycka på PPT-knappen för att börja sända. Twinalker 5400 börjar sända direkt när du börjar prata i mikrofonen i headsetet.



- Tryck på -knappen (5) tre gånger.
- Använd **CH▲** -knappen (12) eller **CH▼** -knappen (11) för att välja VOX-nivå eller **AV** för att inaktivera VOX. (Det finns 5 VOX-nivåer.)
  - Nivå 1: Högsta känslighet för tysta miljöer
  - ...
  - Nivå 5: Lägsta känslighet för bullriga miljöer
- Tryck på knappen **PPT** (14) för att bekräfta.

### 12.12 Roger-pip På/Av

Efter att PTT-knappen (15) har släppts skickar enheten ett roger-pip för att bekräfta att du slutat tala.



Detta pip kan slås på och av.

- Tryck på -knappen (5) fem gånger.
- Använd **CH▲** -knappen (12) eller **CH▼** -knappen (11) för att aktivera (Y) eller inaktivera (n) roger-pipet.
- Tryck på knappen **PPT** (14) för att bekräfta.

### 12.13 Knappljud På/Av

När en knapp trycks in, hörs en kort ton.



Detta knappljud kan slås på och av:

- Tryck på -knappen (5) 6 gånger
- Använd **CH▲** -knappen (12) eller **CH▼** -knappen (11) för att aktivera (Y) eller inaktivera (n) knappljudet
- Tryck på knappen **PPT** (14) för att bekräfta.

### 12.14 Knapplås



- Tryck på och håll ner -knappen (10) i 3 sekunder för att aktivera/inaktivera knapplåsläget.



När knapplåset är aktiverat, fungerar fortfarande PPT-knappen (14), volymkontroll-knapparna, kanalövervakningsknappen (MON), anropsknappen (10). Alla andra knappar är låsta.

## 13 Garanti

### 13.1 Garantiperiod

Enhetens garantiperiod omfattar 24 månader. Garantin börjar gälla på inköpsdagen. Standardbatterier och uppladdningsbara batterier omfattas inte av garantin.

Förbrukningsartiklar eller defekter som har en försumbar effekt på utrustningens funktion eller värde omfattas inte av garantin. Garantianspråket måste styrkas genom uppvisande av inköpskvitto i original eller kopia, där inköpsdatumet och enhetsmodell anges.

### 13.2 Undantag från garantin

Skador eller defekter som har orsakats av felaktig behandling eller användning och skador som har uppkommit till följd av användning av delar eller tillbehör som inte är original, omfattas inte av garantin.

Vidare omfattar inte garantin skador som orsakas av yttre faktorer, såsom blixtnedslag, vatten och brand och inte heller skador som uppkommer under transport. Inga garantianspråk kan göras om serienumret på enheterna har ändrats, tagits bort eller gjorts oläsligt. Alla garantikrav ogiltigförklaras om enheten har reparerats, ändrats eller modifierats av köparen.

Den här produkten är i överensstämmelse med de väsentliga egenskapskrav och övriga relevanta bestämmelser som framgår av R&TTE-direktivet 1999/5/EG.

En försäkrans om överensstämmelse finns på:  
<http://www.topcom.net/support/cedclarations.php>

## 1 Indledning

Tak, fordi du har valgt Twintalker 5400. Twintalker 5400 er radiokommunikationsudstyr med lav effekt, som har en rækkevidde på maks. 10 km, og som ikke medfører nogen form for driftsomsætninger ud over den minimale udgift til genopladning af batterierne. Twintalker 5400 kan anvende otte kanaler.

### 1.1 Anvendelse

Udstyret kan anvendes til fritidsformål. F.eks.: til at holde kontakten undervejs imellem to eller flere biler, cykler eller skiløbere. Systemet kan bruges til at holde kontakten med børnene, når de leger udenfor, osv ...

### 2 CE-mærke

CE-symbolet på enheden, brugervejledningen og emballagen angiver, at enheden overholder de vigtigste krav i R&TTE-direktivt 1999/5/EF.

## 3 Sikkerhedsanvisninger

### 3.1 Generel

Nedenstående oplysninger vedrørende sikkerhed og korrekt brug skal læses omhyggeligt. Sæt dig ind i alle udstyrets funktioner. Gem denne vejledning et sikkert sted med henblik på senere brug.

### 3.2 Brandskader

- Hvis antennen afdækning beskadiges, må antennen ikke berøres. Hvis antennen kommer i kontakt med huden, kan der forekomme mindre brandsår, når apparatet sender.
- Batterier kan medføre tingsskade som f.eks. brandskader, hvis ledende materiale, f.eks. smykker, nøgler eller perlekæder, kommer i kontakt med blottede batteripoler. Sådant materiale kan skabe et elektrisk kredsløb (kortslutning) og blive meget varmt. Udvis stor forsigtighed ved håndtering af opladede batterier – især hvis de lægges i lommen, i en håndtaske eller i en anden beholder, som indeholder metalgenstande.

### 3.3 Personskader

- Placér ikke enheden i området over en airbag eller i airbagens aktiveringsområde. Airbags udfoldes med stor kraft. Hvis en PMR placeres i airbagens aktiveringsområde, og airbaggen aktiveres, kan kommunikatorerne blive kastet af sted med stor kraft og forårsage alvorlig personskade på personer, der måtte opholde sig i bilen.
- Hold PMR-enheden i mindst 15 centimeters afstand fra pacemakere.
- Sluk PMR-enheden, så snart der iagttages forstyrrelser i forbindelse med medicinsk udstyr.

### 3.4 Eksplosionsfare

- Udskift ikke batterierne i en potentielt eksplosiv atmosfære. Under isætning og udtagning af batterier kan der opstå kontaktgnister, hvilket kan forårsage en eksplosion.
- Sluk din PMR-enhed, når du opholder dig i et område med en potentielt eksplosiv atmosfære. Gnister i sådanne områder kan forårsage en eksplosion eller brand og medføre personskade eller endda dødsfald.
- Udsæt aldrig batterierne for åben ild, da det kan få dem til at eksplodere.



Områder med potentielt eksplosive atmosfærer er ofte tydeligt markeret, men ikke altid. Sådanne områder omfatter brændstofhåndteringssteder som f.eks. rum under dæk på både; faciliteter til overførsel eller opbevaring af brændstoffer eller kemikalier; områder, hvor luften indeholder kemikalier eller partikler som f.eks. korn, støv eller metalpartikler og alle områder, hvor det normalt anbefales at slukke bilmotorer.

### 3.5 Fargiftningsfare

- Batterier skal opbevares utilgængeligt for små børn.

### 3.6 Juridisk

- I visse lande er det forbudt at bruge PMR, mens man kører bil. Hvis det er tilfældet, skal du parkere bilen et sikkert sted, før du bruger enheden.
- Sluk PMR-enheden (OFF) om bord på flyr, når du bliver instrueret om det. Enhver brug af PMR-enheden skal ske i overensstemmelse med flyselskabets regulativer eller flypersonalets instrukser.
- Sluk PMR-enheden (OFF) på steder, hvor du på opsag opfordres til det. Hospitaler og behandlingssteder bruger muligvis udstyr, som kan påvirkes af udefrakommende radiofrekvensenergi.
- Udskitning eller modificering af antennen kan påvirke PMR-radiospecifikationerne, så CE-regulativerne ikke længere overholdes. Uautoriserede antenner kan også beskadige radioen.

### 3.7 Bemærk

- Berør ikke antennen, mens der sendes – dette kan påvirke rækkevidden.
- Fjern batterierne, hvis enheden ikke skal anvendes i længere tid.

## 4 Rengøring og vedligeholdelse

- Rengør enheden ved at tørre den med en blød klud, som er fugtet let med vand. Brug ikke rens- eller opløsningsmidler på udstyret. Sådanne midler kan ødelægge udstyrets beklædning og trænge ind i udstyret, hvor de kan forårsage permanente skader.
- Batterikontakterne må kun tørres med en tør, fugtfri klud.

## 5 Bortskaffelse af enheden (miljø)



Når produktet er udjent, må det ikke kasseres sammen med almindeligt husholdningsaffald, men skal afleveres på et indsamlingssted til genbrug af elektrisk og elektronisk udstyr. Dette angives af symbolet på produktet, brugervejledningen og/eller emballagen.

Nogle af produktets materialer kan genanvendes, hvis de afleveres på en genbrugsstation. Ved genanvendelse af dele eller råstoffer fra brugte produkter kan man yde et vigtigt bidrag til beskyttelsen af miljøet. Kontakt de lokale myndigheder, hvis du har brug for yderligere oplysninger om genbrugsstationerne i dit område.

## 6 Brug af PMR-udstyr

Kommunikation mellem to PMR-enheder kræver, at begge enheder er indstillet til samme kanal og underkanal (CTCSS/DCS), og at de begge befinder sig inden for modtagerækkevidde (op til maks. 10 km over åbent land). Da disse enheder bruger gratis frekvensbånd (kanaler), deler samtlige aktive enheder de samme kanaler (i alt otte kanaler - bilag A). Det betyder, at samtaler ikke er fortløbende. Enten anden med PMR-udstyr, som er indstillet på samme kanal som dit, kan lytte med på samtalen. Hvis du vil kommunikere (dvs. sende et talesignal), skal du trykke på PTT-knappen (14). Når der trykkes på knappen, skifter udstyret til sendetilstand, og du kan tale i mikrofonen. Alle andre PMR-enheder inden for rækkevidde, som er indstillet på samme kanal, og som er i standby-tilstand (dvs. som ikke netop sender), vil kunne høre din besked. Du skal vente, til den anden part holder op med at sende, før du kan besvare meddelelsen. Ved afslutningen af transmissionen afgiver enheden et bip, hvis bekræftelsesbip er aktiveret (se ikonet \*12.12 Aktivering/deaktivering af bekræftelsesbip). Hvis du vil svare, skal du bare trykke på PTT-knappen (14) og tale ind i mikrofonen.



Hvis to eller flere brugere trykker på PTT-knappen (14) samtidigt, modtager modtageren kun det kraftigste signal, mens andre signaler undertrykkes. Derfor bør du kun sende et signal (dvs. trykke på PTT-knappen (14)), når kanalen er ledig.



Rækkevidden for radiobølgerne påvirkes markant af forhindringer som f.eks. bygninger, beton-/metalskruer, landskabets ujævnhed, skovområder, planter, ... Dette medfører, at rækkevidden mellem to eller flere PMR-enheder i nogle ekstreme tilfælde kan være begrænset til maks. 20-30 meter. Du vil hurtigt bemærke, at PMR fungerer bedst, når der er et minimum af forhindringer mellem brugerne.

## 7 Pakken indeholder

- 2 x Twintalker 5400
- 1 x Duo-oplader
- 1 x strømadapter
- 2 x NiMH-batteripakker
- 2 x bælteclips
- Brugervejledning

## 8 Sådan kommer du i gang

### 8.1 Montering/afmontering af bælteclips

1. Fjern clipsen fra enheden ved at skubbe bælteclipsen (B) i retning af antennen, mens du trækker i tappen (A) på clipsen.
2. Ved genmontering af bælteclipsen betyder et klik, at bælteclipsen er låst på plads.

### 8.2 Isætning af batterier

1. Åbn batterikammeret. Tryk udløserknappen (C) nedad.
2. Isæt batterier. Batteripakkemærket angiver batteriets korrekte position.
3. Før du lukker batteridækslet, skal du kontrollere gummiseglet omkring batteriummet. Sørg for, at seglet er i god stand, og at der ikke er fremmedlegemer under seglet.
4. Luk batteriummet, og lås det fast med udløserknappen.

### 9 Oppladning af batterierne

Batterierne kan nemt og bekvemt oplades via bordopladeren.

1. Placer bordopladeren på en plan overflade.
2. Sæt den ene ende af den medfølgende adapter i en nemt tilgængelig stikkontakt og den anden ende i soklen bag på bordopladeren.
3. Sørg for, at radioen er slukket.
4. Sæt radioen i opladeren.
5. Lade-LED'en tændes, hvis radioen er isat korrekt og oplader.

Det tager omkring 16 timer at oplade Ni-Mh-batteriet fuldstændigt.





Batterierne må ikke kortslutes eller afbrændes. Fjern batterierne, hvis enheden ikke skal anvendes i længere tid.  
Oplad ikke ikke-genopladelige batterier som f.eks. alkaliske batterier i opladeren. Dette kan beskadige PMR'erne og opladningsenheden.

## 10 Beskrivelse

Se det foldede omslag – illustration 1

1. Antenne
2. LCD-display
3. Tilslutning af headset (ekstraudstyr)
4. Tilslutning af oplader (ekstraudstyr)
5. On/Off/Menu-knap
6. Højttalerlydstyrke op
7. Højttalerlydstyrke ned
8. Mikrofon
9. Højttaler
10. Kaldeknop/tastelås
11. Kanal ned
12. Kanal op
13. Monitor tast
14. PTT-knap

## 11 Oplysninger i LCD-displayet

Se det foldede omslag – illustration 2

15. RX-ikon
16. Indikering af batteriniveau
17. TX-ikon
18. Tastelås-ikon
19. Lydstyrke-ikon
20. Vox-ikon
21. Kanalindikering
22. Underkanalindikering
23. Scan-ikon
24. Kaldeikon

## 12 Brug af Twintalker 5400



Hvis segmenterne og ikonerne på displayet vises i lysegrå i denne brugervejledning, angiver det, at de blinker.

### 12.1 Tænd/sluk enheden



Sådan tændes enheden:

- Tryk på -knappen (5), og hold den inde i to sekunder. Enheden "bipper", og LCD-displayet viser den aktuelle kanal.

Sådan slukkes enheden:

- Tryk på -knappen (5), og hold den inde i to sekunder. Enheden "bipper", og LCD-displayet går ud.

### 12.2 Batteriladningsniveau/indikator for lav batterikapacitet

Batteriets ladetilstand indikeres af batterikonet på LCD-skærmen.



- Batteri fuldt opladet
- Batteriniveau lavt
- Batteri næsten afladet



Når batteriet næsten er helt afladet, slukkes enheden automatisk efter 30 sekunder.

### 12.3 Justering af højttalerlydstyrken

Der findes otte lydstyrkeniveauer (0..7)



- Tryk på -knappen (6) i standby-tilstand for at forøge højttalerlydstyrken. Lydstyrkeniveauet vises.
- Tryk på -knappen (7) for at reducere højttalerlydstyrken.
- Efter fem sekunder bliver enheden igen inaktiv.

### 12.4 Modtagelse af signal

Enheden er altid i modtagetilstand, når enheden er tændt og ikke selv sender.



Andre personer kan kun modtage din transmission, hvis de har indstillet deres enhed til samme kanal og valgt samme underkanal (kapitel 12.6 og 12.7).

### 12.5 Afsendelse af signal



- Tryk på PTT-knappen (14) og hold den nede for at sende. TX-symbolet vises.
- Hold enheden lodret med mikrofonen 10 cm fra munden, og tal ind i mikrofonen (8).
- Slip PTT-knappen, (14) når du ikke vil sende længere.

### 12.6 Sådan skifter du kanaler



- Tryk på -knappen (2) eller -knappen (1) for at skifte til en højere eller lavere kanal.
- Tryk på PTT-knappen (14) for at bekræfte

### 12.7 Underkanaler: CTCSS (Continuous Tone Coded Squelch System) / DCS (Digital Coded Squelch)

Den licensfri PMR-radio kører på 446 MHz-frekvensbåndet og har otte tilgængelige kanaler. Hvis der er mange PMR-brugere i området, er der sandsynlighed for, at nogle af disse brugere kører på samme radiokanal.

Der er blevet integreret underkanaler for at undgå, at du modtager signaler fra andre brugere.

To PMR-radiører kan kun kommunikere med hinanden, når de kører på den samme radiokanal, og når de har valgt præcist den samme underkanal.

Der er to slags underkanaler:

- Continuous Tone Coded Squelch System (CTCSS)
- Digital Coded Squelch (DCS)

Når du bruger CTCSS, sendes en lavfrekvenstone (mellem 67 og 250 Hz) sammen med stemmesignalet. Du kan vælge mellem 38 forskellige toner. Du kan vælge en af disse 38 tilgængelige toner. Disse toner er generelt ikke hørbare grundet filtering, så de vil ikke forstyrre kommunikationen.

DCS ligner CTCSS, men i stedet for at sende en kontinuert tone af en valgt frekvens, føjes der en digital datatransmission til radiosignalet. Denne digitale kode sendes ved en meget lav hastighed, ca. 134 bit pr. sekund (koden er 23 bit lang). Kun den seneste generation af PMR understøtter DCS. Der er 83 tilgængelige DCS-koder, der kan bruges. Da de tidligere modeller kun understøtter CTCSS, er det bedre at bruge DCS for at forhindre, at andre brugere er hørbare under dine PMR-samtaler.

### 12.7.1 Sådan skifter du underkanaler



- Tryk på **↔**-knappen **5** : Den valgte underkanal (eller "oF" hvis der ikke er valgt underkanal) blinker.
- Brug **CH▲**-knappen **12** eller **CH▼**-knappen **11** for at vælge den ønskede underkanal:
  - 1..38: CTCSS-kode (1..38)
  - 39..121: DCS-kode (1..83)
- Tryk på **PTT**-knappen **14** for at bekræfte



Bilag B viser detaljerede oplysninger om CTCSS- og DCS-underkanalkoder.

### 12.8 Sådan foretager du et opkald



Når du trykker på **☎**-knappen **10** , sender du en kaldetone til de andre brugere på samme kanal/underkanal. Dette angiver, at du ønsker at starte en samtale.

- Tryk på **☎**-knappen **10**



Der findes fem forskellige kaldetoner. Du kan vælge en kaldetone på menuen:

- Tryk på **↔**-knappen **5** fire gange
- Tryk på **CH▲**-knappen **12** eller **CH▼**-knappen **11** for at vælge kaldetone
- Tryk på **PTT**-knappen **14** for at bekræfte.

### 12.9 Overvågning

Du kan bruge overvågningsfunktionen til at kontrollere for svagere signaler på den aktuelle kanal.

- Tryk på **MON**-knappen **13** for at starte overvågningen.
- Hvis du holder denne knap nede i mere end tre sekunder, skifter radioen til konstant overvågningsstand.
- Tryk på knappen igen for at deaktivere overvågningsfunktionen.

### 12.10 Kanalscanning

Kanalscanning gennemfører søgninger efter aktive signaler i en uendelig sløjfe fra kanal 1 til 8.

Når radioen finder en aktiv kanal, stopper scanningen, og du kan lytte til samtalen.

Hvis der ikke er mere aktivitet på den fundne kanal, genoptages scanningen efter to sekunder.

Hvis du trykker på **PTT**-knappen **15** på den fundne kanal, slutter scanningsfunktionen, og radioen forbliver på denne kanal.



- Tryk på **↔**-knappen **5** to gange
- Tryk på **CH▲**-knappen **12** eller **CH▼**-knappen **11** for at vælge Y for scanning
- Tryk på **↔**-knappen **5** for at bekræfte: Scanningen påbegyndes
- Scanningen standser, når der trykkes på **PTT**-tasten **14** .

### 12.11 VOX

Hvis der tilsluttes et headset (uden **PTT**-knappen), kan funktionen til stemmeaktiveret transmission (VOX) anvendes.

Bruges denne funktion, behøver brugeren ikke at trykke på **PTT**-knappen for at begynde at sende. Twintalker 5400 begynder automatisk at sende, når du taler ind i mikrofonen på dit headset.



- Tryk på **↔**-knappen **5** tre gange
- Tryk på **CH▲**-knappen **12** eller **CH▼**-knappen **11** for at vælge VOX-niveau, eller tryk på **oF** for at deaktivere VOX. (der kan vælges mellem fem VOX-niveauer)
  - Niveau 1: Højest følsomhed, velegnet til stille omgivelser
  - ...
  - Niveau 5: Laveste følsomhed, velegnet til brug i støjende omgivelser
- Tryk på **PTT**-knappen **14** for at bekræfte

### 12.12 Aktivering/deaktivering af bekræftelsesbip

Når **PTT**-knappen **15** slippes, udsendes enheden et bekræftelsesbip for at bekræfte, at du er færdig med at tale.



Bekræftelsesbippet kan tændes eller slukkes.

- Tryk på **↔**-knappen **5** fem gange
- Tryk på **CH▲**-knappen **12** eller **CH▼**-knappen **11** for at aktivere (Y) eller deaktivere (n) bekræftelsesbip
- Tryk på **PTT**-knappen **14** for at bekræfte

### 12.13 Aktivering/deaktivering af tastaturlyd

Når der trykkes på en knap, høres en tone.



Tastaturlyden kan tændes eller slukkes.

- Tryk på **↔**-knappen **5** seks gange
- Tryk på **CH▲**-knappen **12** eller **CH▼**-knappen **11** for at aktivere (Y) eller deaktivere (n) tastaturlyden
- Tryk på **PTT**-knappen **14** for at bekræfte

### 12.14 Tastlås



- Hold **☎**-knappen **10** nede i tre sekunder for at aktivere/deaktivere tastlåsen.



Når tastlåsen er aktiveret, fungerer **PTT**-knappen **14** , **lydstyrkeknappe**ne, **overvågningsknappen (MON)**, **kaldeknappen** og **☎** **stadigt**. **Alle andre taster er låst**.

## 13 Garanti

### 13.1 Garantiperiode

Enheden er omfattet af en 24 måneders garantiperiode. Garantiperioden starter den dag, hvor forbrugeren køber den nye enhed. Der er ingen garanti på standardbatterier og genopladelige batterier.

Forbrugsdele eller defekter, som kun har ubetydelig indvirkning på brugen eller udstyrets værdi, dækkes ikke. Garantien skal dokumenteres ved fremlæggelse af den originale kvittering eller en kopi heraf, hvoraf enhedens købsdato og type fremgår.

### 13.2 Undtagelser fra garantien

Ved skaden eller defekter, der skyldes forkert behandling eller betjening, samt skader, der skyldes brug af uoriginale reservedele eller tilbehør, bortfalder garantien.

Desuden omfatter garantien ikke skader, der skyldes ydre faktorer såsom lynnedslag, vand- og brandskader samt skader, der skyldes transport. Garantien bortfalder, hvis enhedens serienummer er blevet ændret, fjernet eller er gjort ulæselig. Garantien bortfalder desuden, hvis enheden er blevet repareret, ændret eller modificeret af køberen.

Dette produkt overholder de vigtige krav og andre relevante bestemmelser i R&TTE-direktivet 1999/5/EF.

Overensstemmelseserklæringen findes på:  
<http://www.topcom.net/support/cedclarations.php>

## 1 Innledning

Gratulerer med anskaffelsen av Twintalker PT5400. Dette er et radiokommunikasjonsapparat med lav effekt og rekkevidde på maksimalt 10 km. Apparatet har ingen driftskostnader utover de minimale kostnadene til lading av batteriene. Twintalker fungerer på 8 kanaler.

### 1.1 Beregnet bruk

Den kan brukes til fridriftsmål. Eksempel: å holde kontakten når man kjører sammen i 2 eller flere biler, sykler eller står på ski. Den kan brukes til å holde kontakten med barna når de leker utenfor huset osv.

## 2 CE-merke

CE-symbolet på utstyret, brukerhåndboken og innpakningen angir at utstyret samsvarer med alle vesentlige krav i henhold til RÅTTE-direktivet 1995/5/EU.

## 3 Sikkerhetsinstruksjoner

### 3.1 Generelt

Les nøye gjennom den følgende informasjonen om sikkerhet og riktig bruk. Gjør deg kjent med alle funksjonene til utstyret. Oppbevar denne håndboken på et trygt sted for senere opplag.

### 3.2 Brannskader

- Hvis antennekledningen blir skadet, må antennen ikke berøres, da mindre brannskader kan oppstå dersom antennen kommer i kontakt med huden under sending.
- Batterier kan forårsake skade på gjenstander dersom materialer som fører strøm, som smykker, nøkler eller kleder, kommer i kontakt med åpne batteriterminaler. Materialet vil da kunne slutte en elektrisk krets (kortslutning), og bli svært varmt. Utvis stor forsiktighet ved håndtering av et ladet batteri, spesielt hvis du skal bære det i en lomme eller veske sammen med metallgjenstander.

### 3.3 Personskader

- Plasser aldri utstyret i området over en kollisjonspute, eller innenfor kollisjonsputens virkeområde. Kollisjonsputen blåses opp med stor kraft. Hvis en PM-radio plasseres i området innenfor kollisjonsputens virkeområde, og kollisjonsputen utløses, kan PM-radioen sløyges med stor kraft og forårsake alvorlige personskader hvis den treffer personen.
- Hold PM-radioen på minst 15 centimeters avstand fra pacemakere.
- Slå PM-radioen AV med det samme du ser tegn til at den påvirker medisinsk utstyr.

### 3.4 Eksplosjonsfare

- Ikke skift ut batterier i en potensielt eksplosiv atmosfære. Gnister kan dannes når batterier fjernes eller settes inn, og medfører en eksplosjon.
- Slå PM-radioen av når du oppholder deg i miljøer med potensielt eksplosive gasser tilstede. I slike områder kan gnister forårsake eksplosjon eller brann, og føre til alvorlig personskade eller død.
- Kast aldri batterier på åpen ild, ellersom de kan eksplodere.



**Områder med potensiell eksplosiv atmosfære er ofte klart merket, men ikke alltid. Slike områder inkluderer drivstoffpåfyllingssteder som under dekket på båter; steder hvor drivstoff eller kjemikalier oppbevares eller overføres; områder hvor luften inneholder kjemikalier eller partikler, som støv, korn eller metallstøv, samt ethvert område der du normalt ville bli bedt om å slå av bilmotoren.**

### 3.5 Fare for forgiftning

- Oppbevar batteriene utligngjengelig for små barn.

### 3.6 Juridisk

- I noen land er det forbudt å bruke PM-radio mens du fører et motorkjøretøy. I slike tilfeller kjører du ut av veien og stanser før du bruker utstyret.
- Slå PM-radioen AV om bord i fly når du blir bedt om dette. All bruk av PM-radioen må foregå i overensstemmelse med flyselskapsets regler eller besetningens anvisninger.
- Slå PM-radioen AV på alle steder hvor plakater eller oppslagte notiser ber deg om dette. Sykehus og helseinstitusjoner kan bruke utstyr som er følsomt overfor eksterne RF-stråling.
- Utskrifling eller modifisering av antennen kan påvirke PM-radiosens spesifikasjoner, og medføre brudd på CE-reglene. Uautoriserte antenner kan dessuten føre til skade på radioen.

### 3.7 Merknader

- Unngå å berøre antennen under sending, da dette kan påvirke rekkevidden.
- Ta ut batteriene hvis enheten ikke skal brukes over lengre tid.

## 4 Rengjøring og vedlikehold

- Hvis utstyret trenger rengjøring, tørk du av det med en myk klut lett fuktet med vann. Ikke bruk rengjørings- eller løsemidler på utstyret, da disse kan skade huset og lekke inn, og forårsake permanent skade.
- Batterikontakter kan tørkes av med en tørr og fukt klut.

## 5 Avfallsbehandling (miljø)



Når produktet skal kastes, må du ikke kaste det sammen med vanlig husholdningsavfall, men levere det til et innsamlingssted for resirkulering av elektrisk og elektronisk utstyr. Symbolene på produktet, brukerhåndboken og/eller emballasjen angir dette. Noe av produktmaterialet kan gjenbrukes hvis du leverer det til resirkulering. Ved å sørge for gjenbruk av visse deler eller råmaterialer fra brukte produkter, yter du et viktig bidrag for å verne miljøet. Kontakt lokale myndigheter for informasjon om avfallsanlegg i ditt område.

## 6 Bruk av en personlig mobilradioenhet (PMR)

For at PM-radioser skal kunne kommunisere, må de være innstilt på samme kanal og underkanal (CTCSS/DCS), og innen rekkevidde av hverandre (opptil 10 km i åpent lende). Ettersom disse enhetene bruker ledige frekvensbånd (kanaler), må alle enhetene som brukes, dele på disse kanalene (totalt 8 kanaler - Tillegg A). Derfor kan ingen avlyttingsgaranti gis. Alle med en PM-radio innstilt på den samme kanalen, kan overhøre konversasjonen. Når du ønsker å kommunisere (sende et talesignal), trykker du inn PTT-tasten (A). Når tasten er trykket inn, vil enheten gå i sendemodus, og du kan avsi meldingen din gjennom mikrofonen. Alle andre PM-radioser innenfor rekkevidde, innstilt på den samme kanalen og i beredskapsmodus (sender ikke), vil høre meldingen din. Du må vente til den andre parten slutter å sende før du kan svare på meldingen. Ved slutten av hver sending vil enheten sende en pipelepe hvis bekreftelestone er aktivert (se kapittel 12 Bekreftelestone På/Av). For å svare trykker du bare på PTT-tasten (A) og snakker inn i mikrofonen.



Hvis to eller flere brukere trykker på PTT-tasten (A) på samme tid, vil mottakeren bare oppfatte det sterkeste signalet (C) og de andre signalene vil bli undertrykt. Derfor bør du bare sende signaler (trykke på PTT-tasten(A)) når kanalen er ledig.



Rekkevidden på radiobølgene blir sterkt påvirket av hindringer, som f.eks. bygninger, betong-/metallkonstruksjoner, kupert landskap, skog, plater osv. Dette medfører at rekkevidden mellom to eller flere PMR-er i enkelte tilfeller kan bli begrenset til maksimalt noen titalls meter. Du vil snart merke at PMR fungerer best når det er minimalt med hindringer mellom brukerne.

## 7 Inkludert i pakken

- 2 x Twintalker 5400
- 1 x Duo-lader
- 1 x strømadapter
- 2 x NiMH-batteripakke
- 2 x belteklips
- Brukerhåndbok

## 8 Komme i gang

### 8.1 Fjerne/montere belteklipset

1. For å fjerne belteklipset fra enheten trykker du belteklipset (B) mot antennen mens du løfter på klipsfliken (A).
2. Når du setter belteklipset på igjen, vil et klikk signalisere at klipset er låst i riktig stilling.

### 8.2 Installere batteriene

1. Åpne batteridekselet. Skyv låsehaken (C) nedover.
2. Sett inn batteriet. Merket på batteripakken viser riktig plassering av batteriet.
3. Kontroller gummetettingen rundt batterirommet før batteridekselet settes på igjen. Kontroller at tetningen er i god stand, og at det ikke finnes fremmedelementer under tetningen.
4. Lukk luken til batterirommet, og lås batteriluken med låsehaken.

### 9 Lade opp batterier

Bordladeren gir komforten med enkelt å kunne sette enheten til lading.

1. Sett bordladeren på et flatt underlag.
2. Plugg den ene enden av den medfølgende strømadapteren inn i en lett tilgjengelig stikkontakt, og den andre enden i kontakten på baksiden av bordladeren.
3. Kontroller at radioen er slått AV.
4. Sett radioen i laderen.
5. Ladelampen vil lyse opp for å indikere at radioen er riktig satt inn og under opplading.

Det tar ca. 16 timer å lade Ni-Mh-batteriet helt opp.







Batteriene må ikke kortsluttes eller kastes på åpen ild. Ta ut batteriene hvis ikke enheten skal brukes på en god stund.  
Ikke lad opp ikke-oppladbare batterier, som f.eks. alkaliske batterier, i laderen. Dette kan skade PMR-enheten og laderen.

## 10 Beskrivelse

Se første omslagsside, figur 1

1. Antenne
2. LCD-display
3. Kontakt for hodetelefoner (tilleggsstyr)
4. Kontakt for lader (tilleggsstyr)
5. På/av- / Meny-tast
6. Høyttalervolum opp
7. Høyttalervolum ned
8. Mikrofon
9. Høyttaler
10. Anrop- / Tastelås-tast
11. Kanal ned **CH**
12. Kanal opp **CH**
13. Lyttetast **MON**
14. **PTT**-tast

## 11 Informasjon på LCD-displayet

Se første omslagsside, figur 2

15. RX-symbol
16. Batterinivåindikasjon
17. TX-symbol
18. Tastelås-symbol
19. Volumsymbol
20. Vox-symbol
21. Kanalvisning
22. Underkanal-indikator
23. Skannesymbol
24. Anropssymbol

## 12 Bruk av Twintalker 5400



Hvis segmenter og symboler på displayet er vist i lyst grått i denne bruksanvisningen, angir det at de blinker.

### 12.1 Slå enheten PÅ/AV



Slå enheten PÅ:

- Hold inne -tasten i 2 sekunder. Enheten vil avgje en pipelyd, og LCD-displayet viser gjeldende kanal.

Slå enheten AV:

- Hold inne -tasten i 2 sekunder. Enheten vil avgje en pipelyd, og LCD-displayet blankes ut.

### 12.2 Batteriladenivå/indikator for lavt batteri

Batteriets ladenivå vises av batterisymbolet på LCD-skjermen.



- Fulladet batteri
- Lavt batterinivå
- Batteri nesten utladet



Når batteriet er nesten utladet, slås enheten AV automatisk etter 30 sekunder.

### 12.3 Justere høyttalervolumet

Høyttalervolumet kan reguleres i 8 nivåer (0..7)



- Trykk på -tasten i hvilemodus for å øke høyttalervolumet. Volumnivået vises.
- Trykk på -tasten for å redusere høyttalervolumet.
- Etter 5 sekunder går enheten tilbake til hvilemodus.

### 12.4 Motta et signal

Enheten er kontinuerlig i mottaksmodus så lenge den er slått PÅ og ikke sender selv.



For at andre brukere skal høre sendingen din, må de være innstilt på samme kanal og ha valgt den samme underkanalen (kapittel 12,6 og 12,7).

### 12.5 Sende et signal



- Hold inne **PTT**-tasten for å sende. TX-symbolet vises.
- Hold enheten loddrett med mikrofonen 10 cm fra munnen, og tal inn i mikrofonen .
- Slipp **PTT**-knappen når du er ferdig med å sende.

### 12.6 Skifte kanaler



- Bruk **CH** -tasten eller **CH** -tasten for å gå til en høyere eller lavere kanal.
- Trykk **PTT**-tasten for å bekrefte

### 12.7 Underkanaler: CTCSS (Continuous Tone Coded Squelch System) / DCS (Digital Coded Squelch)

Lisensfrie PMR-radioer som opererer på 446 MHz-frekvensbåndet, har 8 tilgjengelige radiokanaler. Hvis det er mange PMR-brukere i nærheten, er det sannsynlig at noen av disse brukerne bruker samme kanal.

Underkanaler er integrert for å hindre at du mottar radiosignaler fra andre brukere.

To PMR-radioer vil bare kunne kommunisere med hverandre hvis de bruker samme radiokanal og i tillegg samme underkanal.

Det finnes to typer underkanaler:

- Continuous Tone Coded Squelch System (CTCSS)
- Digital Coded Squelch (DCS)

Ved bruk av CTCSS vil det bli sendt en lavfrekvent tone (mellom 67 og 250 Hz) sammen med talesignalet. Du kan velge mellom 38 forskjellige toner. Du står fritt til å velge en av disse 38 tilgjengelige tonene. På grunn av filtrering er disse tonene vanligvis ikke hørbare, og vil derfor ikke forstyrre kommunikasjonen.

DCS ligner på CTCSS, men istedenfor å sende en kontinuerlig tone på en valgt frekvens, legges det til en digital dataoverføring til radiosignalet. Denne digitale koden blir sendt i en svært lav hastighet, rundt 134 bits per sekund (koden er 23 bits lang).

Bare PMR-er av siste generasjon vil støtte DCS. Det finnes 83 ulike DCS-koder som kan benyttes. Fordi tidligere modeller bare støtter CTCSS, vil det være bedre å bruke DCS for å unngå at andre brukere vil høre under PMR-samtalene dine.

### 12.7.1 Skifte underkanaler



- Trykk  $\leftarrow$ -tasten (5) : Valgt underkanal (eller "oF" hvis ingen underkanal er valgt) blinker.
- Bruk **CH▲**-tasten (12) eller **CH▼**-tasten (11) til å velge ønsket underkanal:
  - 1..38: CTCSS-kode (1...38)
  - 39..121: DCS-kode (1...83)
- Trykk **PTT**-tasten (14) for å bekrefte



Tillegg B viser all detaljert informasjon om underkanalkodene CTCSS og DCS.

### 12.8 Foreta et anrop



Når du trykker  $\leftarrow$ -tasten (10), sender du en anropstone til de andre brukerne på samme kanal/underkanal. Dette viser at du ønsker å starte en samtale.

- Trykk  $\leftarrow$ -tasten (10)



Det finnes 5 forskjellige anropstoner. Du kan velge en anropstone i menyen:

- Trykk fire ganger på  $\leftarrow$ -tasten (5)
- Bruk **CH▲**-tasten (12) eller **CH▼**-tasten (11) for å velge anropstone
- Trykk **PTT**-tasten (14) for å bekrefte.

### 12.9 Lytte

Du kan bruke lyttefunksjonen til å søke etter svakere signaler på den aktuelle kanalen.

- Trykk **MON**-tasten (13) for å starte kanallytting.
- Hvis du holder tasten inne i mer enn 3 sekunder, settes radioen i konstant lyttemodus.
- Trykk tasten igjen for å deaktivere kanallytting.

### 12.10 Kanalskanning

Kanalskanning søker etter aktive signaler i en endeløs sløyfe fra kanal 1 til 8.

Når en aktiv kanal er funnet, vil skanningen stoppe slik at du kan lytte til samtalen.

Hvis det ikke er mer aktivitet på kanalen som ble funnet, gjenopptas skanningen etter to sekunder.

Hvis du trykker **PTT**-tasten (14) på kanalen som ble funnet, stopper skanningsfunksjonen og radioen forblir innstilt på denne kanalen.



- Trykk to ganger på  $\leftarrow$ -tasten (5)
- Bruk **CH▲**-tasten (12) eller **CH▼**-tasten (11) til å velge Y for skanning
- Trykk  $\leftarrow$ -tasten (5) for å bekrefte: Skanningen starter
- Skanningen stoppes så snart **PTT**-tasten (14) trykkes.

### 12.11 VOX

Hvis hodetelefoner uten **PTT**-tasten (tilleggsutstyr) er tilkoblet, kan den stemmeaktiverte sendefunksjonen (VOX) brukes.

På denne måten trenger ikke brukeren å trykke **PTT**-knappen for å starte sending. Twintalker 5400 begynner å sende når du begynner å snakke inn i mikrofonen i hodesettet.



- Trykk tre ganger på  $\leftarrow$ -tasten (5)
- Bruk **CH▲**-tasten (12) eller **CH▼**-tasten (11) til å velge VOX-nivå eller oF for å deaktivere VOX-funksjonen. (det er 5 VOX-nivåer)
  - Nivå 1: Høyeste følsomhet for miljøer med lite støy
  - ...
  - Nivå 5: Høyeste følsomhet for miljøer med mye støy
- Trykk **PTT**-tasten (14) for å bekrefte

### 12.12 Bekreftelsestone På/Av

Når du slipper **PTT**-tasten (15), kan radioen sende en bekræftelsestone for å bekrefte at du har sluttet å snakke.



Bekreftelsestonen kan slås på eller av:

- Trykk fem ganger på  $\leftarrow$ -tasten (5)
- Bruk **CH▲**-tasten (12) eller **CH▼**-tasten (11) for å aktivere (Y) eller deaktivere (n) bekræftelsestonen
- Trykk **PTT**-tasten (14) for å bekrefte

### 12.13 Tastetone på/av

En tone høres når du trykker en tast.



Tastetonen kan slås på eller av:

- Trykk seks ganger på  $\leftarrow$ -tasten (5)
- Bruk **CH▲**-tasten (12) eller **CH▼**-tasten (11) til å aktivere (Y) eller deaktivere (n) tastetonen
- Trykk **PTT**-tasten (14) for å bekrefte

### 12.14 Taste-lås



- Hold inne  $\leftarrow$ -tasten (10) i tre sekunder for å aktivere/deaktivere taste-låsfunksjonen.



**PTT**-tasten (14), volumtastene, kanallyttestaten (MON) og anropstasten  $\leftarrow$  fungerer selv om taste-låsen er aktivert. Alle andre taster er låste.

## 13 Garanti

### 13.1 Garantiperiode

Produktene leveres med 24 måneders garanti. Garantiperioden gjelder fra den dagen det nye produktet blir kjøpt.

Det gis ingen garanti for standard eller oppladbare batterier.

Garantien gjelder ikke for forbruksdeler eller defekter som ikke medfører merkelig virkning på produktets funksjon.

Garantien må dokumenteres med den originale kjøpskvitteringen eller en kopi av denne, der kjøpsdato og produktmodell er angitt.

### 13.2 Unntak fra garantien

Feil eller mangler som skyldes feil håndtering eller bruk, og feil som skyldes bruk av deler eller tilbehør som ikke er originalt, dekkes ikke av garantien.

Garantien dekker ikke skade forårsaket av ytre faktorer som lynnedslag, vann eller ild, eller skade som har oppstått under transport. Garantien er ikke gyldig hvis serienummeret på produktet er endret, fjernet eller gjort uleselig. Eventuelle garantikrav anses som ugyldige hvis produktet er reparert, endret eller modifisert av kjøperen.

Dette produktet oppfyller hovedkravene og andre relevante bestemmelser i direktivet R & TTE 1999/5/EC.

Samsvarserklæring finnes på denne adressen:  
<http://www.topcom.net/support/cedclarations.php>

## 1 Johdanto

Kiitos, että ostit Twintalker 5400 -laitteen. Se on kuuluvuusalueeltaan suuri, vähän virtaa kuluttava radioviestintälaitte, jonka kantama on enintään 10 km. Sen käytössä ei aiheudu muita kulujia kuin akkujen lataamisesta syntyvät pienet kulut. Twintalkerissa on 8 kanavaa.

### 1.1 Käyttötarkoituks

Sitä voi käyttää erilaisin virkistystarkoituksiin. Esimerkiksi: yhteydenpito matkustettaessa kaharella tai useammalla autolla, pyöräilyssä, hiihtoreitillä. Sen avulla voit pitää yhteyttä lapsiin heidän leikkimässä ukkona jne.

## 2 CE-merkintä

CE-merkintä laitteessa, käyttöoppaassa ja lahjapakauksessa ilmaisee, että laite täyttää radio- ja telepäteätyödirektiivin 1999/5/EY olennaiset vaatimukset.

## 3 Turvaohjeet

### 3.1 Yleistä

Lue huolellisesti seuraavat turvallisuutta ja asianmukaista käyttöä koskevat ohjeet. Tutustu kaikkiin laitteen toimintoihin. Säilytä tämä käyttöohje varmassa paikassa tulevaa käyttöä varten.

### 3.2 Palovammat

- Jos antennin suojus on vioittunut, älä koske siihen, sillä kun antenni koskettaa ihoa, lähteyksen aikana voi syntyä pieni palovamma.
- Akut voivat aiheuttaa omaisuusvahinkoja, kuten palovaurioita, jos sähköä johtava materiaali, kuten korut, avaimet tai heilimauhaut, koskettaa paljaita liittämiä. Materiaali voi muodostaa sähköpiirin (oikosulku) ja kuumentua huomattavasti. Ole varovainen laidaten akun käsitellessä etenkin, jos se on taskussa, kukkarossa tai muussa metalliesineitä sisältävässä paikassa.

### 3.3 Tapaturmat

- Älä aseta laitetta turvatyynyn yläpuolelle tai alueelle, jolla sitä käytetään. Turvatyyny täyttyy suurella voimalla. Jos PMR-laite asetetaan tyynyn käyttöalueelle ja ilmatyyny täyttyy, viestintälaitte voi sinkoutua liikkeelle suurella voimalla ja aiheuttaa ajoneuvossa oleville vakavia vammoja.
- Pidä PMR-laite ainakin 15 senttimetrin päässä sydämenalustajista.
- Kaikaise PMR-laitteesta virta heti, jos se aiheuttaa häiriöitä lääketieteellisiin laitteisiin.

### 3.4 Räjähdyksivaara

- Älä vaihda akkuja mahdollisesti räjähdysaltissa ympäristössä. Koskettimet voivat kipinöidä akkuja asennettaessa tai poistettaessa ja aiheuttaa räjähdyksen.
- Kaikaise PMR-laitteesta virta oleskellessasi alueella, jolla ympäristö voi olla räjähdysaltis. Sellaisilla alueilla kipinät voisivat aiheuttaa räjähdyksen tai tulipalon, josta voi olla seurauksena fyysinen vamma tai jopa kuolema.
- Älä koskaan heitä paristoja tuleen, sillä ne voivat räjähtää.



**Alueet, joilla ympäristö voi olla räjähdysaltis, on usein merkitty selvästi, muttei aina. Sellaisia ovat tankkausalueet, kuten veneiden kannen alai, polttoaineen tai kemikaalin kuljetus- tai varastointialueet; alueet, joilla ilma sisältää kemikaaleja tai hiukkasia, kuten viija-, pöly- tai metallijauheita; samoin kaikki alueet, joilla normaalisti kehoitettaisiin sammuttamaan ajoneuvon moottori.**

### 3.5 Myrkytysvaara

- Pidä paristot pois pienten lasten ulottuvilta.

### 3.6 Lakiasia

- Joissakin maissa henkilökohtaisten kannettavien radioiden käyttö on kiellettyä ajoneuvon ajamisen aikana. Poistu siinä tapauksessa tieltä ennen laitteen käyttöä.
- Katkaise laitteesta virta lentokoneessa ollessasi, jos sinua kehoitetaan tekemään niin. PMR-laitetta saa käyttää ainoastaan lentoyhtiön sääntöjen tai miehistön ohjeiden mukaan.
- Katkaise PMR-laitteesta virta kaikissa tiloissa, joissa on kylttejä, joissa kehoitetaan tekemään niin. Sairaaloissa tai terveydenhuoltolaitoksissa käytetään kenties laitteita, jotka ovat herkkiä ulkoiselle radioaaltajaiselle energialle.
- Antennin vaihtaminen tai muuttaminen voi vaikuttaa henkilökohtaisten kannettavan radion ominaisuuksiin ja olla CE-määräysten vastaista. Luvattomat antennit voivat myös vioittaa radiota.

### 3.7 Huomautukset

- Älä koske antenniin lähteyksen aikana, se voi vaikuttaa kantama-alueeseen.
- Poista paristot, jos laitetta ei käytetä pitkään aikaan.

## 4 Puhdistus ja kunnossapito

- Puhdista laite pyyhkimällä pehmeällä, vedellä kostutetulla liinalla. Älä käytä laitteeseen puhdistusainetta tai liuotainaita; ne voivat vaurioitua koteloja ja vuotaa laitteen sisään aiheuttaen pysyvää vahinkoa.
- Paristojen kontaktit voidaan pyyhkiä kuivalla ja nukkaamattomalla liinalla.

## 5 Laitteen hävittäminen (ympäristö)



Kun laitteen käyttöä on päättynyt, älä hävitä sitä tavallisen kotitalousjätteen mukana vaan vie se sähkö- ja elektroniikkalaitteiden kierrästyä varten tarkoitettuun keräyspisteeseen. Tämä on ilmaista toimitusta, käyttöohjeessa ja/tai pakkauksessa olevalla symbolilla. Jotakin tuotteen materiaaleista voidaan kierrättää, jos tuote vieetään kierrätyspisteeseen. Mahdollistamalla käytettyjen tuotteiden osien tai raaka-ainesten kierrätyksen osallistut tärkeällä tavalla ympäristön suojelemiseen. Ota yhteyttä paikallisiin viranomaisiin, jos tarvitset lisätietoja alueellasi sijaitsevista keräyspisteistä.

## 6 PMR-laitteen käyttö

Jotta PMR-laitteen välinen viestintä olisi mahdollista, ne on kaikki viritettävä samalle kanavalle ja alkanavalle (CTCSS/DCS), ja niiden on oltava kuuluvuusalueen sisällä (enintään 10 km avoimessa maastossa). Koska nämä laitteet käyttävät vapaita taajuuksia (kanavia), kaikki käytössä olevat laitteet jakavat nämä kanavat (yhteensä 8 kanavaa, liite A). Siksi yksityisyyttä ei voida taata. Kuka tahansa, jonka PMR-laite on viritetty samalle kanavalle kuin omaisi, voi kuulla keskustelun. Jos haluat kommunikoida (lähettää puhe-signaalin), sinun on painettava PTT-näppäintä (14). Kun olet painanut tätä näppäintä, laite siirtyy lähetyksiltaan ja voit puhua mikrofonin. Viestisi kuuluu kaista muista alueella, samalla kanavalla ja valmistamassa (ei lähettämässä) olevista PMR-laitteista. Sinun on odotettava, kunnes toinen osapuoli lopettaa lähettämisen, ennen kuin voit vastata viestiin. Kunkin lähteyksen lopussa laite lähettää piip-äänen, jos vahvistuspiippaus on aktiivisena (ks. luku "12.12 Vahvistuspiippaus päälle/pois"). Voit vastata painamalla PTT-näppäintä (14) ja puhumalla mikrofonin.



**Jos 2 tai useampi käyttäjä painaa PTT-näppäintä (14) samanaikaisesti, vastaanottaja saa vain voimakkaimman signaalin ja muut signaalit vaimennetaan. Siksi signaali tulee lähettää (painaa PTT-näppäintä (14) ) vain silloin, kun kanava on vapaa.**



**Radioaaltojen kantamaan vaikuttavat voimakkaasti erilaiset esteet kuten rakennukset, betoniset/malliset rakenteet, pinnanmuutokset epätasaisuus, metsä, kasvillisuus, ... Tämä tarkoittaa sitä, että kantama kahden tai useamman PMR-laitteen välillä voi ääriolosuhteissa olla vain muutamia kymmeniä metrejä. Huomaa pian, että PMR-laite toimii parhaiten silloin, kun käyttäjien välillä on mahdollisimman vähän esteitä.**

## 7 Pakkauksen sisältyvät

- 2 x Twintalker 5400
- 1 x 2-paikainen laturi
- 1 x muuntaja
- 2 x NIMH-akkupakkaus
- 2 x vyökiinnitin
- Käyttöopas

## 8 Käytön aloittaminen

### 8.1 Vyökiinnikkeen irrottaminen/asentaminen

1. Voit irrottaa vyökiinnikkeen laitteesta painamalla näppäintä (B) kohti antennia ja vetämällä samalla kiinnikkeen liuskaa (A).
2. Vyökiinnikettä asennettaessa napsahdus tarkoittaa, että vyökiinnike on lukittunut paikalleen.

### 8.2 Akkujen asentaminen

1. Avaa akkulokero. Työnää salpaa (C) alaspiäin.
2. Aseta akku paikalleen. Akkupakkausten merkintä osoittaa akun oikean asennon.
3. Tarkista akkulokeron ympärillä oleva kuittiivieste ennen kannen sulkemista. Varmista, että tiiviste on hyväkuntoinen ja ettei tiivisteeseen alla ole mitään ylimääräistä.
4. Sulje akkulokeron kansi ja lukitse se salvalla.

### 9 Akkujen lataaminen

Pöytälaturi tekee latauksesta nopeaa.

1. Aseta pöytälaturi tasaiselle pinnalle.
2. Kytke mukana toimitetun muuntajan toinen pää lähiseeen pistorasiaan ja toinen pää pöytälaturin takaosassa olevaan liittimeen.
3. Varmista, että radio on kytketty pois päältä.
4. Aseta radio laturiin.
5. Latauksen merkkivalo syttyy, jos se on asetettu oikein paikalleen ja lataus on käynnissä.

Ni-MH-akun lataaminen täyteen kestää noin 16 tuntia.





Älä aiheuta oikosulkua tai heittä akkuja tuleen. Poista akut, jos laite on käyttämättä pidemmän aikaa. Älä lataa paristoja, joita ei voi ladata uudelleen, kuten alkaliparistoja. Tämä voi vahingoittaa PMR-laitetta tai latausyksikköä.

## 10 Kuvasu

Katso taiteltu kansilehti, kuva 1

1. Antenni
2. Nestekidenäyttö
3. Kuulokkeiden (lisävaruste) liitin
4. Laturin (lisävaruste) liitin
5. Virtanäppäin/Valkkonäppäin
6. Kaiuttimen äänenvoimakkuuden lisääminen
7. Kaiuttimen äänenvoimakkuuden vähentäminen
8. Mikrofoni
9. Kauutin
10. Soitonäppäin / Näppäinlukkonäppäin
11. Kanava alas **CH**
12. Kanava ylös **CH**
13. Seurantinäppäin **MON**
14. **PTT**-näppäin

## 11 Nestekidenäytön tiedot

Katso taiteltu kansilehti, kuva 2

15. RX-kuvake
16. Varaustason merkki
17. TX-kuvake
18. Näppäinluon kuvake
19. Äänenvoimakkuuden kuvake
20. Vox-kuvake
21. Kanavan osoitin
22. Alakanavan ilmaisu
23. Hakukuvake
24. Soitokuvake

## 12 Twintalker 5400:n käyttö



Jos näyttöjen segmentit ja kuvakkeet kuvataan tässä käyttöoppaassa vaaleanharmaina, se tarkoittaa, että ne vilkkuvat.

### 12.1 Laitteen kytkeminen päälle/pois



Laitteen kytkeminen päälle:

- Paina -näppäintä ja pidä sitä pohjassa 2 sekuntia. Laite "piippaa" ja nestekidenäytöllä näkyy nykyinen kanava.

Kytkeminen pois päältä:

- Paina -näppäintä ja pidä sitä pohjassa 2 sekuntia. Laite "piippaa" ja nestekidenäyttö tyhjenee.

### 12.2 Akun lataustason / heikon latauksen näyttö

Akun varaustaso ilmaistaan nestekidenäytön akkukuvakkeella.



- Akku täynnä
- Akun virta vähissä
- Akku lähes tyhjä



Laite sammuu automaattisesti 30 sekunnin kuluttua, kun akku on lähes tyhjä.

### 12.3 Kaiuttimen äänenvoimakkuuden säätäminen

Laitteessa on 8 äänenvoimakkuustasoa (0–7)



- Voit lisätä kaiuttimen äänenvoimakkuutta painamalla -näppäintä .
- Näytöllä näkyy äänenvoimakkuuden taso.
- Voit pienentää kaiuttimen äänenvoimakkuutta painamalla -näppäintä .
- Laite palaa valmiustilaan viiden sekunnin kuluttua.

### 12.4 Signaalin vastaanottaminen

Laite on aina Vastaanotto-tilassa, kun se on käynnissä eikä lähetä mitään.



Jotta muut voisivat vastaanottaa lähetykseksi, heidän on oltava viritettyinä samalle kanavalle ja käytettävä samaa alakanavaa (kappaleet 12,6 ja 12,7).

### 12.5 Signaalin lähettäminen



- Lähetä painamalla **PTT**-näppäintä ja pitämällä sitä pohjassa. Näytölle tulee TX-symboli.
- Pidä laitetta pystyasennossa mikrofoni 10 cm:n päässä suusta ja puhu mikrofonin .
- Päästä **PTT**-näppäin , kun haluat lopettaa lähettämisen.

### 12.6 Kanavien vaihtaminen



- Siirry kanavissa ylös- tai alaspäin painamalla **CH** - tai **CH** -näppäintä .
- Vahvista painamalla **PTT**-näppäintä .

### 12.7 Alakanavat: CTCSS (Continuous Tone Coded Squelch System) / DCS (Digital Coded Squelch)

Lupavapaissa PMR-radioissa, jotka toimivat 446 MHz:n taajuuskaistalla, on 8 mahdollista radiokanavaa. Jos lähistöllä on useita PMR-laitteen käyttäjiä, on mahdollista, että jotkut näistä käyttäjistä ovat samalla radiokanavalla.

Alakanavia on integroitu estämään muiden käyttäjien signaalien vastaanottaminen.

Kaksi PMR-radiota voi kommunikoida keskenään ainoastaan silloin, kun ne toimivat samalla radiokanavalla ja ovat valinneet samalleen saman alakanavan.

Alakanavia on kahdenlaisia:

- CTCSS (Continuous Tone Coded Squelch System)
- DCS (Digital Coded Squelch)

Kun käytetään CTCSS:ää, puheignaalin mukana lähetetään ääntä matalalla taajuudella (67 - 250 Hz). Valittavana on 38 eri ääntä. Voit vapaasti valita näiden 38 äänen joukosta. Äänen suodatuksen vuoksi äänet eivät yleisesti ole kuultavissa, joten ne eivät häiritse kommunikointia.

DCS on CTCSS:n kaltainen, mutta sen sijaan, että se lähettäisi valitun taajuuden jatkuvaa ääntä, radiosignaaliin lisätään digitaalinen tiedonsiirto. Tätä digitaalista koodia lähetetään hyvin alhaisella nopeudella, noin 134 bittiä sekunnissa (koodi on 23 bitin pituinen). Vain uuden sukupolven PMR-laitteet tukevat DCS:ää. Saatavana on 83 DCS-koodia, joita voidaan käyttää. Koska aiemmat mallit tukevat vain CTCSS:ää, on parempi käyttää DCS:ää, koska tällä estetään se, että muut käyttäjät kuuluvat PMR-keskusteluihin.

### 12.7.1 Alakanavien vaihtaminen



- Paina -näppäintä (5) : Valitse alakanava (tai oF, jos alakanavaa ei ole valittuna) viikkuu.
- Valitse haluamasi alakanava painamalla **CH▲** - (12) tai **CH▼** -näppäintä (11) :
  - 1..38: CTCSS-koodi (1..38)
  - 39..121: DCS-koodi (1..83)
- Vahvista painamalla **PTT**-näppäintä (14)



Liitteessä B on lisätietoja CTCSS- ja DCS-alakanavakoodeista.

### 12.8 Soittaminen



Kun painat -näppäintä (10) , lähetät soittoäänien muille samalla kanavalla ja alakanavalla oleville käyttäjille.

Tämä osoittaa, että haluat aloittaa keskustelun.

- Paina -näppäintä (10)



Käytettävissä on 5 erilaista soittoahtia. Voit valita soittoäänien valikoita:

- Paina -näppäintä (5) neljä kertaa
- Valitse soittoääni **CH▲** - (12) tai **CH▼** - näppäimillä (11)
- Vahvista painamalla **PTT**-näppäintä (14) .

### 12.9 Tarkkailu

Voit käyttää tarkkailutoimintoa tarkistaaksesi, onko nykyisellä kanavalla heikompi signaaleja.

- Aloita tarkkailu painamalla **MON**-näppäintä (13) .
- Jos pidät tätä näppäintä painettuna yli 3 sekunnin ajan, radio menee jatkuvaan tarkkailutilaan.
- Ota tarkkailutila pois käytöstä painamalla näppäintä uudelleen.

### 12.10 Kanavahaku

Kanavahaku etsii aktiivisia signaaleja kiertäen loputtomasti kanavia 1-8.

Kun aktiivinen kanava löytyy, haku loppuu ja voit kuunnella keskustelua.

Jos löydetyllä kanavalla ei tapahdu enää mitään, esintä alkaa uudelleen kahden sekunnin kuluttua.

Jos painat **PTT**-näppäintä (15) löydetyllä kanavalla, hakutoiminto pysähtyy ja radio jää kyseiselle kanavalle.



- Paina -näppäintä (5) kaksi kertaa
- Aloita kanavahaku valitsemalla **CH▲** - (12) tai **CH▼** - näppäimellä (11) Y
- Vahvista painamalla -näppäintä (5) : Kanavahaku alkaa.
- Kanavahaku alkaa, kun **PTT**-näppäintä (14) painetaan.

### 12.11 VOX

Kun lisävarusteena saatavat kuulokkeet (ilman **PTT**-näppäintä) yhdistetään, voidaan käyttää äänellä aktivoitavaa lähetystä (VOX).

Näin käyttäjän ei tarvitse aloittaa lähetystä painamalla **PTT**-näppäintä. Twintalker 5400 aloittaa lähettämisen, kun ryhdyt puhumaan kuulokkeen mikrofonin.



- Paina -näppäintä (5) kolme kertaa
- Valitse VOX-taso **CH▲**-näppäimellä (12) tai **CH▼** -näppäimellä (11) tai poista VOX käytöstä valitsemalla **oF**. (VOX-tasojen on 5)
  - Taso 1: Suurin herkkyys hiljaisiin ympäristöihin
  - ...
  - Taso 5: Alhaisin herkkyys äänekkäisiin ympäristöihin
- Vahvista painamalla **PTT**-näppäintä (14)

### 12.12 Vahvistuspiippaus päälle/pois

Kun olet päästännyt **PTT**-näppäimen (5) , laite lähettää vahvistuspiippauksen merkiksi siitä, että olet lopettanut puhumisen.

Nämä vahvistuspiippaukset voidaan ottaa käyttöön tai pois käytöstä:

- Paina -näppäintä (5) viisi kertaa
- Voit ottaa vahvistuspiippaukset käyttöön (Y) tai poistaa ne käytöstä (N) painamalla **CH▲**-näppäintä (12) tai **CH▼** -näppäintä (11) .
- Vahvista painamalla **PTT**-näppäintä (14)



### 12.13 Näppäinäännet päälle/pois

Kun näppäintä painetaan, kuuluu ääni.

Nämä näppäinäännet voidaan ottaa käyttöön tai pois käytöstä:

- Paina -näppäintä (5) kuusi kertaa.
- Voit ottaa näppäinäännet käyttöön (Y) tai poistaa ne käytöstä (n) painamalla **CH▲**-näppäintä (12) tai **CH▼** -näppäintä (11) .
- Vahvista painamalla **PTT**-näppäintä (14)



### 12.14 Näppäinlukko



- Ota näppäinlukutila käyttöön tai poista se käytöstä painamalla -näppäintä (10) ja pitämällä sitä pohjassa 3 sekunnin ajan.



Kun näppäinlukko on käytössä, **PTT**-näppäin (14) , äänenvoimakkuusnäppäimet, seurantanäppäin (MON) ja puhelunäppäin **oF** ovat kuitenkin käytössä. Kaikki muut näppäimet ovat lukittuja.

### 13 Takuu

#### 13.1 Takuuaika

Laitteilla on 24 kuukauden takuu. Takuuaika alkaa uuden laitteen ostopäivästä. Takuu ei kata tavallisia paristoja eikä ladattavia akkuja.

Jos tarvitkeet tai viat aiheuttavat laitteelle vähäisiä toimintahäiriöitä tai laskevat hieman laitteen arvoa, takuu ei korvaa tällaisia menetyksiä. Takuu myönnetään alkuperäistä kuittia tai sen jäljennöstä vastaan, jos kuitissa on mainittu ostopäivämäärä ja laitteen tyyppi.

#### 13.2 Poikkeukset takuuseen

Takuu ei korvaa väärinlaisesta käsittelystä tai käytöstä johtuvia vaurioita eikä vaurioita, jotka johtuvat muiden kuin alkuperäisten osien tai lisälaitteiden käytöstä.

Takuu ei korvaa ulkopuolisten tekijöiden, kuten salama-, vesi- tai palovahinko, aiheuttamia vaurioita eikä kuljetuksen aikana aiheutuneita vaurioita. Takuu ei ole voimassa, jos laitteen sarjanumero on muutettu, poistettu tai saatettu lukukevottomaksi. Takuu raukeaa, jos ostaja on korjannut, muuttanut tai muunnellut laitetta.

Tämä tuote täyttää radio- ja telepäteilaitteista annetun direktiivin 1999/5/EY olennaiset vaatimukset ja muut asiaankuuluvat määräykset.

Vaatimustenmukaisuusvakuutus on nähtävillä osoitteessa:  
<http://www.topcom.net/support/declarations.php>

## 1 Introduzione

Grazie per avere acquistato Twinalker 5400. Si tratta di un apparato per radiocomunicazioni a lungo raggio, con una copertura massima di 10 Km, a basso consumo di energia, il cui unico e minimo costo di esercizio è rappresentato dalla ricarica delle batterie. Twinalker opera su 6 canali.

### 1.1 Destinazione d'uso

L'unità può essere utilizzata per impieghi ricreativi. Ad esempio: mantenere un contatto durante un viaggio fra 2 o più automobili, ciclisti o sciatori. I genitori possono inoltre utilizzarlo per tenersi in contatto con i figli mentre giocano fuori casa, ecc.

## 2 Marchio CE

Il simbolo CE riportato sull'unità, nel manuale d'uso e sulla confezione indica che l'unità è conforme ai requisiti fondamentali della direttiva R&TTE 1995/5/CE.

## 3 Istruzioni di sicurezza

### 3.1 Informazioni generali

Leggere attentamente le seguenti informazioni relative alla sicurezza e al corretto utilizzo. Esplorare tutte le funzioni del dispositivo. Conservare il presente manuale in un luogo sicuro per ogni futura consultazione.

### 3.2 Rischio di ustioni

- Evitare di toccare un'antenna il cui rivestimento sia stato danneggiato. Durante la trasmissione, il contatto dell'antenna danneggiata con la pelle potrebbe provocare ustioni di lieve entità.
- Le batterie possono causare danni a cose e/o lesioni a persone (ad esempio ustioni) in caso di contatto tra materiali conduttivi (gioielli, chiavi, catenelle) e i morsetti esposti. Il materiale in questione può fungere da chiusura del circuito elettrico (cortocircuito) e surriscaldarsi. Usare la massima prudenza durante l'impiego di qualunque batteria carica, in particolare se viene infilata in tasca, in borsa o in altri recipienti insieme a oggetti metallici.

### 3.3 Lesioni

- Non appoggiare l'apparecchio nella zona sovrastante l'air bag o nella zona di apertura dell'air bag. Il gonfiaggio dell'air bag avviene, infatti, in modo estremamente energico. Se la PMR si trova sulla zona di apertura dell'air bag nel momento in cui questo si gonfia, è possibile che l'apparecchio venga proiettato con grande forza con rischio di gravi lesioni per gli occupanti del veicolo.
- I portatori di pacemaker dovranno tenere la PMR ad almeno 15 centimetri di distanza dal dispositivo.
- In caso di interferenza con qualsiasi apparecchiatura medica, spegnere immediatamente la PMR.

### 3.4 Pericolo di esplosione

- Non sostituire le batterie in ambienti a rischio di esplosione. Durante l'inserimento o la rimozione delle batterie, possono verificarsi scintille sui contatti, con conseguente rischio di esplosione.
- Quando ci si trova in un'area soggetta a rischio di esplosione, spegnere la PMR. L'emissione di scintille in tali aree può, infatti, dare origine a esplosioni o incendi con conseguente rischio di lesioni o morte.
- Non gettare mai le batterie nel fuoco, potrebbero esplodere.



**Gli ambienti potenzialmente esplosivi sono spesso, ma non sempre, segnalati in modo chiaro. Tra questi: aree di rifornimento carburante (ad esempio sottocoperta di una imbarcazione) oppure impianti di trasferimento e stoccaggio di sostanze combustibili o chimiche; ambienti contenenti prodotti chimici o particelle in sospensione nell'aria, quali residui o polveri metalliche; qualsiasi altra zona in cui si raccomanda generalmente di spegnere il motore del proprio veicolo.**

### 3.5 Rischio di avvelenamento

- Tenere le batterie fuori dalla portata dei bambini.

### 3.6 Informazioni legali

- In alcuni Paesi non è consentito utilizzare un apparecchio PMR mentre si è alla guida di una vettura. In tal caso, accostare prima di utilizzare l'apparecchio.
- Spegnere la PMR a bordo di aeromobili quando ne sia espressamente vietato l'uso. Qualsiasi utilizzo della PMR dovrà avvenire in conformità al regolamento della linea aerea o alle istruzioni dell'equipaggio.
- Spegnere la PMR in qualunque edificio in cui siano affissi cartelli che ne vietino l'uso. Gli ospedali o gli istituti sanitari possono fare uso di attrezzature sensibili all'energia a radiofrequenza esterna.
- La sostituzione (o la modifica) dell'antenna può avere effetti sulle specifiche radio PMR e causare la violazione delle norme CE. L'uso di un'antenna non autorizzata può inoltre danneggiare la radio.

### 3.7 Note

- Per evitare di ridurne la portata, non toccare l'antenna durante la trasmissione.
- Rimuovere le batterie se si prevede di non utilizzare il dispositivo per un periodo prolungato.

## 4 Pulizia e manutenzione

- Pulire il dispositivo con un panno morbido inumidito con acqua. Non utilizzare mai detersivi o solventi poiché potrebbero intaccare l'involucro esterno e penetrare all'interno del dispositivo causando danni irreparabili.
- Per pulire i contatti delle batterie è possibile servirsi di un panno asciutto che non sfilacci.

## 5 Smaltimento del dispositivo (ambiente)



Alla conclusione del suo ciclo di vita, il prodotto non deve essere gettato nel contenitore dei rifiuti domestici, ma deve essere depositato presso un apposito punto di raccolta per il riciclaggio di apparecchi elettrici ed elettronici. Il simbolo presente sul prodotto, nella guida per l'utente e/o sulla confezione specifica la modalità di smaltimento. Alcuni materiali del prodotto possono essere riutilizzati se consegnati presso un centro di riciclaggio. Consentendo il riutilizzo di alcune parti o materie prime dei prodotti utilizzati, si contribuisce in modo significativo alla salvaguardia dell'ambiente. Per ulteriori informazioni sui centri di raccolta presenti nella vostra zona, contattare le autorità locali.

## 6 Utilizzo di un apparecchio PMR

Per poter comunicare, due o più apparecchi PMR devono essere impostati sullo stesso canale e subcanale (FCSS/DCS) e trovati entro la portata di ricezione (fino a un massimo di 10 km in campo aperto). Utilizzando bande (canali) di frequenza libera, tutti gli apparecchi attivi in un dato momento si trovano a condividere gli stessi canali (8 in tutto - Allegato A). La privacy, pertanto, non può essere garantita. Una conversazione fra due utenti può essere ascoltata da chiunque possieda una PMR sintonizzata sullo stesso canale. Per comunicare (trasmettere un segnale vocale) è necessario premere il tasto PTT (14). Una volta premuto il tasto, l'apparecchio entra in modalità di trasmissione ed è possibile parlare nel microfono. Tutti gli altri apparecchi PMR che si trovano nel raggio di portata, sullo stesso canale e in modalità di stand-by (non in trasmissione) riceveranno il messaggio. Prima di poter rispondere al messaggio, occorre attendere che l'interlocutore interrompa la trasmissione. Al termine di ogni trasmissione, l'apparecchio emette un segnale acustico se è stato attivato il tono/cicalino audio (consultare il capitolo "12.12 Attivazione/disattivazione del tono/cicalino audio"). Per rispondere, premere il tasto PTT (14) e parlare nel microfono.



**Se 2 o più utenti premono il tasto PTT (14) contemporaneamente, il ricevitore riceverà unicamente il segnale più forte, mentre l'altro o gli altri segnali verranno soppressi. Si consiglia pertanto di trasmettere un segnale (premendo il tasto PTT (14)) solo quando il canale è libero.**



**La portata delle onde radio è fortemente influenzata da ostacoli quali edifici, strutture in calcestruzzo/metallo, irregolarità del paesaggio, terreni boscosi, piante... Ciò implica che in casi estremi la portata tra due o più PMR potrebbe essere limitata a un massimo di poche decine di metri. Presti vi renderete conto che la PMR funziona meglio quando tra gli utenti sono presenti pochi ostacoli.**

## 7 Contenuto della confezione

- 2 x Twinalker 5400
- 1 x caricatore duo charger
- 1 x adattatore di alimentazione
- 2 x gruppo batterie NiMH
- 2 x clip da cintura
- Manuale d'uso

## 8 Prima d'iniziare

### 8.1 Installazione/Rimozione della clip da cintura

- Per rimuovere la clip da cintura dall'unità, spingere la clip da cintura (B) verso l'antenna premendo contemporaneamente la linguetta della clip (A).
- Durante la reinstallazione della clip da cintura, un "clic" indica che la clip da cintura è fissata in posizione.



### 8.2 Installazione delle batterie

- Aprire il vano batterie. Spingere la chiusura a scatto (C) verso il basso.
- Inserire la batteria. L'etichetta del gruppo batterie indica la posizione corretta della batteria.
- Prima di chiudere il coperchio del vano batterie, controllare la guarnizione di gomma attorno al vano batterie. Assicurarsi che la guarnizione sia in buone condizioni e che non ci siano materiali estranei sotto il sigillo.
- Richiudere il coperchio del vano batterie e bloccarlo con la chiusura a scatto.

## 9 Ricarica delle batterie

Il caricatore da tavolo rappresenta un'unità di caricamento esterna.

- Sistemare il caricatore da tavolo su una superficie piana.
- Collegare un'estremità del cavo dell'adattatore in dotazione a una presa elettrica facilmente accessibile e l'altra estremità del cavo sul connettore situato nella parte posteriore del caricabatterie da tavolo.
- Assicurarsi che la radio sia SPENTA.
- Posizionare la radio nel caricatore.
- L'LED di carica si accende se l'apparecchio è inserito correttamente ed è in fase di ricarica.

Per caricare completamente la batteria Ni-Mh sono necessarie circa 16 ore.



**Non cortocircuitare né smaltire le batterie bruciandole. Se si prevede di non utilizzare il dispositivo per un periodo di tempo prolungato, rimuovere le batterie.**  
**Non tentare di ricaricare batterie non ricaricabili come le batterie alcaline nel caricatore.**  
**Ciò potrebbe danneggiare la PMR e il caricatore.**

## 10 Descrizione

Vedere la pagina di copertina ripiegata - figura 1

1. Antenna
2. Display LCD
3. Connettore cuffia auricolare opzionale
4. Connettore caricabatterie opzionale
5. Tasto On/Off- / Menu
6. Aumenta volume altoparlante
7. Diminuisce volume altoparlante
8. Microfono
9. Altoparlante
10. Tasto Chiamata / Blocco tastiera
11. Canale giù **CH**
12. Canale su **CH**
13. Tasto monitoraggio MON
14. Tasto PTT

## 11 Informazioni sul display LCD

Vedere la pagina di copertina ripiegata - figura 2

15. Icona RX
16. Indicazione livello batteria
17. Icona TX
18. Icona Blocco tastiera
19. Icona Volume
20. Icona Vox
21. Indicazione canale
22. Indicazione subcanale
23. Icona di scansione
24. Icona di chiamata

## 12 Uso del Twintalker 5400



Se i segmenti e le icone del display sono indicati in grigio chiaro in questo manuale, ciò indica che lampeggiano.

### 12.1 Accensione/spengimento dell'unità



Accensione:

- Tenere premuto il tasto per 2 secondi. L'apparecchio emette un segnale acustico e sul display LCD viene visualizzato il canale corrente.

Spengimento:

- Tenere premuto il tasto per 2 secondi. L'apparecchio emette un segnale acustico e il display LCD si spegne.

### 12.2 Indicazione livello di carica batteria/batteria scarica

Il livello di carica della batteria è indicato dall'icona della batteria sul display LCD.



Batteria carica

Batteria in esaurimento

batteria quasi scarica



Quando la batteria è quasi scarica, l'unità si spegne automaticamente dopo 30 secondi.

### 12.3 Regolazione del volume dell'altoparlante

Ci sono 8 livelli di volume dell'altoparlante (0..7)



- In modalità stand-by, premere il tasto per alzare il volume dell'altoparlante. Viene visualizzato il livello del volume.
- Premere il tasto per abbassare il volume dell'altoparlante.
- Dopo 5 secondi l'unità tornerà in modalità stand-by.

### 12.4 Ricezione di un segnale

Quando l'unità è accesa e non è in fase di trasmissione, si trova stabilmente in modalità ricezione.



Affinché i destinatari possano ricevere la trasmissione, è necessario che si trovino sullo stesso canale e sullo stesso subcanale (Capitolo 12,6 e 12,7)

### 12.5 Trasmissione di un segnale



- Tenere premuto il tasto PTT per effettuare una trasmissione. Viene visualizzato il simbolo TX.
- Tenere l'unità in posizione verticale con il microfono a una distanza di 10 cm dalla bocca, quindi parlare nel microfono .
- Per interrompere la trasmissione, rilasciare il tasto PTT .

### 12.6 Cambio di canale



- Utilizzare il tasto **CH** o il tasto **CH** per cambiare canale.
- Premere il tasto PTT per confermare

### 12.7 Subcanali: CTCSS (Continuous Tone Coded Squelch System, sistema squelch codificato a tono continuo) / DCS (Digital Coded Squelch, squelch codificato digitale)

Le radio PMR senza licenza che operano sulla banda di frequenza da 446 MHz dispongono di 8 canali radio. Se molti dei vostri vicini utilizzano apparecchi PMR, è possibile che altri utenti si servano dello stesso canale radio.

Per evitare di ricevere segnali da altri utenti, sono stati aggiunti dei subcanali. Due radio PMR sono in grado di comunicare tra loro solo quando operano sullo stesso canale radio e quando selezionano lo stesso subcanale.

Sono disponibili due tipi di subcanali:

- Continuous Tone Coded Squelch System (CTCSS, sistema squelch codificato a tono continuo)
- Digital Coded Squelch (DCS, squelch codificato digitale)

Quando si utilizza il CTCSS, insieme al segnale vocale viene trasmesso un tono di frequenza basso (tra 67 e 250 Hz). È possibile scegliere tra 38 toni diversi. Si può scegliere uno tra i 38 toni disponibili. A causa del filtraggio, questi toni in genere non sono udibili, quindi non disturberanno la comunicazione.

Il DCS è simile al CTCSS, ma invece di inviare un tono continuo della frequenza selezionata, al segnale radio si aggiunge la trasmissione digitale dei dati. Questo Codice Digitale viene trasmesso a una frequenza molto bassa, di circa 134 bit al secondo (il codice è composto da 23 bit). Solo le PMR di ultima generazione supportano il DCS. È possibile utilizzare 83 codici DCS disponibili. Dato che i modelli precedenti supportano solo il CTCSS, si consiglia di utilizzare il DCS per evitare di udire altri utenti durante le vostre conversazioni con la PMR.

### 12.7.1 Cambio di subcanale



- Premere il tasto : il subcanale selezionato correntemente (o "oF" in caso di nessun subcanale) lampeggerà.
- Utilizzare il tasto **CH▲** o il tasto **CH▼** per selezionare il subcanale desiderato:
  - 1...38: codice CTCSS (1...38)
  - 39...121: codice DCS (1...83)
- Premere il tasto **PTT** per confermare



L'allegato B mostrerà tutte le informazioni dettagliate sui codici subcanale CTCSS e DCS.

### 12.8 Effettuare una chiamata



Premendo il tasto si trasmette un tono di chiamata agli altri utenti sullo stesso canale/subcanale. Ciò indica che si desidera iniziare una conversazione.

- Premere il tasto .



Ci sono 5 diversi segnali di chiamata. È possibile selezionare un segnale di chiamata nel menu:

- Premere il tasto quattro volte
- Premere il tasto **CH▲** o il tasto **CH▼** per selezionare il tono di chiamata
- Premere il tasto **PTT** per confermare.

### 12.9 Monitoraggio

È possibile utilizzare la funzione di monitoraggio per la ricerca dei segnali più deboli nel canale corrente.

- Premere il tasto **MON** per avviare il monitoraggio.
- Se si tiene premuto questo tasto per più di 3 secondi, la radio entrerà in modalità monitoraggio continuo.
- Premere di nuovo il tasto per disattivare la funzione monitoraggio.

### 12.10 Scansione canali

La funzione scansione canali effettua una ricerca di segnali attivi in una sequenza continua dal canale 1 al canale 8.

Una volta identificato il canale attivo, la scansione si interrompe ed è possibile ascoltare la conversazione.

Se non c'è più attività sul canale trovato, la scansione riprenderà dopo due secondi.

Se si preme il tasto **PTT** sul canale trovato, terminerà la funzione di scansione e la radio rimarrà su questo canale.



- Premere due volte il tasto .
- Premere il tasto **CH▲** o il tasto **CH▼** per selezionare **Y** e avviare la scansione
- Per confermare, premere il tasto : la scansione ha inizio
- Per terminare la scansione, premere il tasto **PTT** .

### 12.11 VOX

Quando viene collegata la cuffia auricolare opzionale (senza tasto **PTT**), è possibile utilizzare la funzione di trasmissione ad attivazione vocale (VOX). In questo modo l'utente non deve premere il tasto **PTT** per avviare la trasmissione. Twintalker 5400 inizierà la trasmissione non appena l'utente parlerà nel microfono della cuffia auricolare.



- Premere tre volte il tasto .
- Usare il tasto **CH▲** o il tasto **CH▼** per selezionare il livello VOX oppure **oF** per disabilitare la funzione VOX. (ci sono 5 livelli VOX)
  - Livello 1: massima sensibilità per ambienti silenziosi
  - ...
  - Livello 5: minima sensibilità per ambienti rumorosi
- Premere il tasto **PTT** per confermare

### 12.12 Attivazione/disattivazione del tono/cicalino audio

Ogni volta che si rilascia il tasto **PTT** , l'unità trasmette un tono/cicalino audio per confermare che si è terminato di parlare.

Il tono/cicalino audio può essere attivato o disattivato:

- Premere il tasto cinque volte
- Premere il tasto **CH▲** o il tasto **CH▼** per abilitare (Y) o per disabilitare (n) il tono/cicalino audio
- Premere il tasto **PTT** per confermare



### 12.13 Attivazione/disattivazione tono tasti

Quando si preme un tasto, si sente un tono.

I toni dei tasti possono essere attivati o disattivati:

- Premere sei volte il tasto
- Premere il tasto **CH▲** o il tasto **CH▼** per abilitare (Y) o per disabilitare (n) i toni dei tasti
- Premere il tasto **PTT** per confermare



### 12.14 Blocco tastiera

- Tenere premuto per tre secondi il tasto per attivare/disattivare la modalità di blocco tastiera.



Quando il blocco tastiera è attivato, il tasto **PTT** , i tasti di controllo volume, il tasto di monitoraggio (MON) e il tasto di chiamata continueranno a essere operativi. Tutti gli altri tasti sono bloccati.

## 13 Garanzia

### 13.1 Periodo di garanzia

I dispositivi sono coperti da una garanzia di 24 mesi. Il periodo di garanzia decorre dal giorno d'acquisto della nuova unità. Non esiste alcuna garanzia su batterie standard o ricaricabili.

Le parti soggette a usura o i difetti che causano un effetto trascurabile sul funzionamento o sul valore del dispositivo non sono coperti da garanzia. La garanzia potrà ritenersi valida solo dietro presentazione della ricevuta originale di acquisto o di una copia di essa, a condizione che vi siano indicati la data di acquisto e il modello dell'unità.

### 13.2 Decadenza della garanzia

Si intendono esclusi dalla garanzia tutti i danni o i difetti provocati da un trattamento o un funzionamento scorretto e i danni risultanti dall'impiego di componenti o accessori non originali.

La presente garanzia non copre i danni causati da fattori esterni come fulmini, acqua e incendi, né i danni provocati durante il trasporto. La garanzia non potrà essere applicata in caso di modifica, eliminazione o illeggibilità del numero di serie delle unità. Qualsiasi rivendicazione in garanzia sarà considerata priva di fondamento in caso di intervento da parte dell'acquirente.

Questo prodotto è conforme ai requisiti fondamentali e ad altre disposizioni in materia della direttiva R & TTE 1999/5/CE.

La dichiarazione di conformità è disponibile all'indirizzo:  
<http://www.topcom.net/support/cedclarations.php>



## 1 Introdução

Agradecemos a sua aquisição do Twintalker 5400. Este é um dispositivo de comunicação rádio de longo alcance e baixo consumo, que permite a comunicação com um alcance máximo de 10 Km. O seu único custo é limitado ao recarregamento das pilhas. O Twintalker funciona em 8 canais.

### 1.1 Utilização prevista

Podem ser utilizados para fins recreativos. Por exemplo: para manter em contacto 2 ou mais carros, ciclistas ou esquiadores durante uma viagem ou percurso. Pode ser utilizado para se manter em contacto com as crianças enquanto elas brincam no exterior, etc...

## 2 Marca CE

O símbolo CE na unidade, guia do utilizador e caixa de oferta indica que a unidade se encontra em conformidade com os requisitos essenciais da directiva R&TTE 1995/5/CE.

## 3 Instruções de segurança

### 3.1 Geral

Leia atentamente as seguintes informações acerca da segurança e da utilização correcta do dispositivo. Familiarize-se com todas as funções do dispositivo. Conserve este manual em lugar seguro para utilização futura.

### 3.2 Queimaduras

- Se a cobertura da antena estiver danificada, não lhe toque, pois se a antena entrar em contacto com a pele durante a transmissão pode causar uma queimadura ligeira.
- As pilhas podem provocar danos materiais, como queimaduras, caso algum material condutor, como jóias, chaves ou correntes, tocar nos pólos expostos. O material pode fechar um circuito eléctrico (curto circuito) e ficar bastante quente. Tome cuidado ao manusear qualquer pilha carregada, em particular ao colocá-la num bolso, bolsa ou outro contentor que possa conter objectos metálicos.

### 3.3 Lesões

- Não coloque o dispositivo na zona por cima de um air bag nem na área de acção do air bag. Os air bags são inflados com muita força. Se um PMR for colocado na área de acção do air bag e este for activado, o comunicador pode ser projectado com muita força e causar lesões graves nos ocupantes do veículo.
- Mantenha o PMR a pelo menos 15 centímetros de um pacemaker.
- Desligue o PMR imediatamente se este causar interferência em qualquer equipamento médico.

### 3.4 Perigo de explosão

- Não substitua as pilhas na presença de qualquer atmosfera potencialmente explosiva. Pode libertar-se uma faísca do pólo ao colocar ou ao retirar as pilhas e provocar uma explosão.
- Desligue o PMR quando se encontrar em áreas com uma atmosfera potencialmente explosiva. Faíscas nestas áreas podem provocar uma explosão ou um incêndio, resultando em lesões físicas ou mesmo na morte.
- Nunca coloque pilhas no fogo, pois podem explodir.



Áreas com atmosferas potencialmente explosivas estão frequentemente marcadas de forma clara, mas nem sempre. Estas incluem áreas de armazenamento de combustível como o porão de embarcações, instalações de armazenamento ou transferência de combustível ou de produtos químicos; áreas onde o ar contém substâncias químicas ou partículas, como poeiras de cereais, pó ou metais; e quaisquer outras áreas em que normalmente seria recomendável desligar o motor do seu veículo.

### 3.5 Perigo de envenenamento

- Mantenha as pilhas afastadas de crianças pequenas.

### 3.6 Restrições legais

- Nalguns países é proibido utilizar o PMR durante a condução de um veículo. Neste caso, é aconselhável sair da estrada antes de utilizar o dispositivo.
- Desligue o PMR a bordo de aviões quando for instruído a fazê-lo. Qualquer utilização da unidade deve estar em conformidade com os regulamentos da linha aérea e as instruções da tripulação.
- Desligue o PMR em quaisquer instalações onde existam avisos de que deve fazê-lo. Os hospitais e unidades de saúde poderão conter equipamento sensível a energia RF externa.
- A substituição ou a modificação da antena poderão afectar as especificações de PMR e violar os regulamentos CE. Instâncias não autorizadas poderão igualmente danificar o rádio.

### 3.7 Notas

- Não toque na antena enquanto o dispositivo estiver em transmissão, pois poderá afectar o alcance.
- Remova as pilhas se não pretender utilizar o dispositivo durante um longo período de tempo.

## 4 Limpeza e manutenção

- Para limpar a unidade, passe com um pano macio humedecido com água. Não utilize agentes de limpeza ou solventes na unidade, pois podem danificar a caixa e penetrar no interior do dispositivo, causando danos permanentes.
- Os contactos das pilhas podem ser limpos com um pano seco que não liberte partículas.

## 5 Eliminação do dispositivo (ambiente)



Quando o ciclo de vida do produto chega ao fim, não deve eliminar este produto juntamente com os resíduos domésticos. Deve levá-lo a um ponto de recolha de equipamentos eléctricos e electrónicos. O símbolo presente no produto, no manual do utilizador ou na caixa dá essa indicação. Alguns dos materiais do produto podem ser reutilizados se os colocar num ponto de reciclagem. Ao reutilizar algumas das partes ou das matérias-primas dos produtos utilizados, contribui de forma importante para a protecção do meio ambiente. Contacte as autoridades locais se necessitar de mais informações sobre os pontos de recolha existentes na sua área.

## 6 Utilizar um dispositivo PMR

Para que seja possível estabelecer uma comunicação entre dispositivos PMR, estes têm de estar regulados para o mesmo canal e subcanal (CTCSS/DCS) e encontrar-se dentro do alcance de recepção (até a um máximo de 10 km em campo aberto). Dado que estes dispositivos utilizam bandas de frequência livre (canais), todos os dispositivos ligados partilham estes canais (total de 8 canais - anexo A). Assim, a privacidade não é garantida. Qualquer pessoa que disponha de um conjunto PMR definido para o mesmo canal poderá ouvir a conversa. Quando quiser comunicar (transmitir um sinal de voz) prima a tecla PTT (A). Todos os outros dispositivos PMR na área de alcance, definidos para o mesmo sinal e em modo de espera (que não estejam em modo de transmissão), ouvirão a sua mensagem. É necessário esperar até que um outro dispositivo acabe a transmissão para poder responder à mensagem. No final de cada transmissão, a unidade enviará um sinal sonoro se a função Roger Beep estiver activada (ver capítulo "12.12 Ligar/Desligar sinal de fim de comunicação (Roger)"). Para responder, basta premir a tecla PTT (A) e falar para o microfone.



Caso 2 ou mais utilizadores primam a tecla PTT (A) ao mesmo tempo, o receptor receberá apenas o sinal mais forte e os restantes sinais serão suprimidos. Assim, deve transmitir um sinal (premir a tecla PTT (A)) apenas quando o canal está desimpedido.



O alcance das ondas de rádio é fortemente afectado por obstáculos, tais como edifícios, estruturas de metal/betão, os acidentes da paisagem, bosques, plantas, ... Isto quer dizer que, nalguns casos, o alcance entre dois ou mais PMR pode ser reduzido a um máximo de algumas dezenas de metros. Rapidamente verificará que o PMR funciona melhor quando existe um número mínimo de obstáculos entre os utilizadores.

## 7 Esta embalagem inclui

- 2 x Twintalker 5400
- 1 x Carregador Duo
- 1 x Transformador
- 2 x Conjunto de pilhas NiMH
- 2 x Clipe de cinto
- Manual do utilizador

## 8 Iniciar

### 8.1 Instalar / Remover o clipe de cinto

- Para retirar o clipe de cinto da unidade, empurre o clipe de cinto (B) na direcção da antena ao mesmo tempo que puxa pela patilha (A).
- Ao recolocar o clipe de cinto, um clique indica que o clipe está preso em posição.

### 8.2 Instalar as pilhas

- Abra o compartimento das pilhas. Empurre o fecho (C) para baixo.
- Instale as pilhas. A etiqueta do conjunto das pilhas indica a posição correcta da pilha.
- Antes de fechar a tampa do compartimento das pilhas, verifique a vedação de borracha à volta do compartimento das pilhas. Certifique-se de que a vedação se encontra em boas condições e de que não existem outras matérias sob a vedação.
- Feche o compartimento das pilhas e fixe a tampa do mesmo utilizando o trinco.

## 9 Carregar as pilhas

O carregador de secretária oferece a possibilidade de carregamento no local.

- Coloque o carregador de mesa sobre uma superfície plana.
- Ligue uma extremidade do transformador fornecido a uma tomada eléctrica facilmente acessível e a outra extremidade ao conector existente na parte de trás do carregador de secretária.
- Certifique-se de que o rádio está desligado.
- Coloque o rádio no carregador.
- O LED indicador de carregamento acende-se quando o dispositivo está inserido da forma correcta e em carregamento.

Levará cerca de 16 horas até que as pilhas de Ni-Mh estejam totalmente carregadas.





Não provoque curto-circuitos nem elimine as pilhas queimando. Retire as pilhas se não pretender utilizar o dispositivo durante um longo período de tempo. Não carregue pilhas não recarregáveis, tais como pilhas alcalinas, no carregador. Isto poderá causar danos nos PMR e no carregador.

## 10 Descrição

Ver folha de rosto dobrada - ilustração 1

1. Antena
2. Visor LCD
3. Conector do dispositivo auricular opcional
4. Conector de carregador opcional
5. Tecla Ligar/Desligar / Menu
6. Aumentar o volume do altifalante
7. Diminuir o volume do altifalante
8. Microfone
9. Altifalante
10. Tecla chamada / bloqueio de teclado
11. Canal para baixo **CH**
12. Canal para cima **CH**
13. Tecla de monitorização **MON**
14. Tecla **PTT**

## 11 Informação apresentada no visor LCD

Ver folha de rosto dobrada - ilustração 2

15. Ícone RX
16. Indicador de carga da pilha
17. Ícone TX
18. Ícone Bloqueio de teclado
19. Ícone Volume
20. Ícone Vox
21. Indicação do canal
22. Indicação do subcanal
23. Ícone scan
24. Ícone de chamada

## 12 Utilizar o Twintalker 5400



Se os segmentos e ícones dos visores forem mostrados em cinzento claro neste manual do utilizador, significa que estão intermitentes.

### 12.1 Ligar e desligar a unidade



Ligar:

- Prima e mantenha premida a tecla durante 2 segundos. A unidade emitirá um sinal sonoro (bip) e o visor LCD apresentará o canal activo.

Desligar:

- Prima e mantenha premida a tecla durante 2 segundos. A unidade emitirá um sinal sonoro (bip) e o visor LCD ficará vazio.

### 12.2 Nível de Carga das Pilhas/Indicador de Pilhas Fracas

O nível de carga das pilhas é indicado através do ícone das pilhas no visor LCD.



- Pilha carregada
- Pilha fraca
- Pilha quase descarregada



Quando a pilha estiver quase descarregada, a unidade desliga-se automaticamente após 30 segundos.

### 12.3 Ajustar o Volume do Altifalante

Existem 8 níveis de volume do altifalante (0..7)



- Prima a tecla em modo de espera para aumentar o volume do altifalante. É mostrado o nível do volume.
- Prima a tecla para diminuir o volume do altifalante.
- Passados 5 segundos, a unidade volta ao estado de repouso.

### 12.4 Receber um sinal

A unidade encontra-se continuamente em modo de recepção enquanto está ligada e não está a transmitir.



Para que os outros recebam a sua transmissão, têm de estar no mesmo canal e ter definido o mesmo subcanal (Capítulos 12.6 e 12.7).

### 12.5 Transmitir um sinal



- Prima e mantenha premida a tecla **PTT** para transmitir. É mostrado o símbolo TX.
- Mantenha a unidade numa posição vertical, com o microfone a 10 cm da boca, e fale directamente para o microfone .
- Solte a tecla **PTT** para parar de transmitir.

### 12.6 Mudar de canal



- Utilize a tecla **CH** ou a tecla **CH** para mudar para um canal mais alto ou mais baixo.
- Prima a tecla **PTT** para confirmar

### 12.7 Subcanais: CTCSS (Continuous Tone Coded Squelch System - sistema silenciador controlado por tonalidades) / DCS (Digital Coded Squelch - sistema celular digital)

Os rádios PMR sem licença que operam na banda de frequências de 446 MHz têm 8 canais de rádio disponíveis. Caso existam muitos utilizadores de PMR na sua região, existe a possibilidade de alguns destes utilizadores operarem no mesmo canal de rádio. Para evitar receber sinais de outros utilizadores, foram integrados subcanais.

Dois rádios PMR apenas poderão comunicar entre si quando operam no mesmo canal de rádio e quando tiverem seleccionado exactamente o mesmo subcanal.

Existem dois tipos de subcanais:

- CTCSS (Continuous Tone Coded Squelch System - sistema silenciador controlado por tonalidades)
- DCS (Digital Coded Squelch - sistema celular digital)

Ao utilizar o CTCSS, é transmitido um tom de baixa frequência (entre 67 e 250 Hz) em conjunto com o sinal de voz. Pode seleccionar entre 38 tons disponíveis. Escolha livremente entre um dos 38 tons disponíveis. Devido à filtração, estes tons em geral não são audíveis, de modo a não prejudicarem a comunicação.

O DCS é semelhante ao CTCSS, mas em vez de ser enviado um tom contínuo de uma frequência seleccionada, é adicionada uma transmissão de sinais digitais ao sinal de rádio. Este Código Digital é transmitido a uma frequência muito baixa, à volta de 134 bits por segundo (o código tem um tamanho de 23 bits). Apenas os PMR de última geração suportam DCS. Existem 83 códigos DCS disponíveis que podem ser utilizados. Dado que os modelos mais antigos apenas suportam CTCSS, o melhor é utilizar DCS para evitar que outros utilizadores sejam audíveis durante as suas conversas com o PMR.

### 12.7.1 Mudar de subcanal



- Prima a tecla **↔** (5) : O subcanal actualmente seleccionado (ou "oF" no caso de não existir subcanal) ficará intermitente.
- Utilize a tecla **CH▲** (12) ou a tecla **CH▼** (11) para seleccionar o subcanal pretendido:
  - 1..38: código CTCSS (1..38)
  - 39..121: código DCS (1..83)
- Prima a tecla **PTT** (14) para confirmar



O anexo B mostra todas as informações detalhadas sobre os códigos de subcanal CTCSS e DCS.

### 12.8 Efectuar uma chamada



Quando prime a tecla **☎** (10), transmite um tom de chamada para os outros utilizadores que se encontram no mesmo canal/subcanal. Isto indica que pretende iniciar uma conversa.

- Prima a tecla **☎** (10)



Existem 5 tons de chamada diferentes. É possível seleccionar um tom de chamada no menu:

- Prima a tecla **↔** (5) quatro vezes
- Utilize a tecla **CH▲** (12) ou a tecla **CH▼** (11) para seleccionar o tom de chamada
- Prima a tecla **PPT** (14) para confirmar

### 12.9 Monitorização

Pode utilizar a função de monitorização para procurar sinais mais fracos no canal actual.

- Prima a tecla **MON** (13) para iniciar a monitorização.
- Caso mantenha esta tecla premida durante mais de 3 segundos, o rádio entra em modo de monitorização contínua.
- Prima novamente a tecla para desactivar a função de monitorização.

### 12.10 Procura de canais (SCAN)

A procura de canais procura sinais activos em contínuo, do canal 1 ao 8.

Quando é encontrado um canal activo, a procura é interrompida para que possa ouvir a conversação.

Caso não exista mais actividade no canal encontrado, a procura continua após dois segundos.

Se premir a tecla **PTT** (15) no canal encontrado, a função de procura termina e o rádio permanece nesse canal.



- Prima a tecla **↔** (5) duas vezes
- Utilize a tecla **CH▲** (12) ou a tecla **CH▼** (11) para seleccionar Y (sim) para procurar
- Prima a tecla **↔** (5) para confirmar: Iniciar-se-á a procura
- A procura pára quando a tecla **PTT** (14) for premida.

### 12.11 VOX

Quando o auricular (sem tecla **PTT**) se encontra ligado, a função de transmissão activada por voz (VOX) pode ser utilizada.

Desta forma, o utilizador não precisa de premir o botão **PTT** para iniciar a transmissão. O Twintalker 5400 começará a transmitir assim que falar para o microfone do auricular.



- Prima a tecla **↔** (5) três vezes
- Utilize a tecla **CH▲** (12) ou a tecla **CH▼** (11) para seleccionar o nível VOX ou oF (desligado) para desligar o VOX. (existem 5 níveis VOX)
  - Nível 1 : Maior sensibilidade para ambientes sossegados
  - ...
  - Nível 5 : Menor sensibilidade para ambientes ruidosos
- Prima a tecla **PTT** (14) para confirmar

### 12.12 Ligar/Desligar sinal de fim de comunicação (Roger)

Depois de soltar a tecla **PTT** (15), a unidade envia um sinal de fim de comunicação (Roger) de modo a confirmar que parou de falar.

É possível ligar ou desligar o sinal de fim de comunicação (Roger):



- Prima a tecla **↔** (5) cinco vezes
- Utilize a tecla **CH▲** (12) ou a tecla **CH▼** (11) para activar (Y-sim) ou desactivar (n-não) o sinal de fim de comunicação (Roger)
- Prima a tecla **PTT** (14) para confirmar

### 12.13 Ligar/Desligar sinal sonoro do teclado

Quando uma tecla é premida, é possível ouvir um sinal sonoro.

É possível ligar ou desligar o sinal sonoro do teclado:



- Prima a tecla **↔** (5) seis vezes
- Utilize a tecla **CH▲** (12) ou a tecla **CH▼** (11) para activar (Y - sim) ou desactivar (n-não) o sinal sonoro do teclado
- Prima a tecla **PTT** (14) para confirmar

### 12.14 Bloqueio do teclado



- Prima e mantenha premida a tecla **☎** (10) durante três segundos para activar/desactivar a função de bloqueio do teclado.



Quando o bloqueio do teclado está activado, a tecla **PTT** (14), as teclas de controlo do volume, a tecla de monitorização (MON) e a tecla de chamada **☎** continuam operacionais. Todas as outras teclas estão bloqueadas.

## 13 Garantia

### 13.1 Período de garantia

As unidades têm um período de garantia de 24 meses. O período de garantia entra em efeito a partir da data de compra da unidade. Não há nenhuma garantia em pilhas padrão ou recarregáveis.

Consumíveis e defeitos que causem um efeito negligenciável sobre o funcionamento ou o valor do equipamento não se encontram cobertos por esta garantia. A prova de garantia terá de ser dada com a apresentação da respectiva confirmação de compra, ou uma cópia da mesma, na qual apareçam indicados a data de compra e o modelo da unidade.

### 13.2 Exclusões de garantia

Danos ou defeitos causados pelo tratamento ou operação incorrectos e danos resultantes da utilização de peças ou acessórios não originais não são abrangidos pela garantia.

A garantia não cobre danos causados por factores externos, como relâmpagos, água e fogo, nem quaisquer danos causados durante o transporte. Não se poderá reclamar os direitos de garantia se se encontra na unidade tiver sido alterado, retirado ou tornado ilegal. Qualquer reclamação de garantia não será válida se a unidade tiver sido reparada, alterada ou modificada pelo comprador

Este produto está em conformidade com os requisitos essenciais e outras determinações relevantes da directiva R & TTE 1999/5/CE.

A Declaração de Conformidade pode ser encontrada em:  
<http://www.topcom.net/support/cedclarations.php>

## 1 Úvod

Děkujeme Vám, že jste si zakoupili zařízení Twintalker 5400. Jedná se o nízkonapávevé radiokomunikační zařízení krátkého dosahu do maximální vzdálenosti 10 km. Jedinými náklady na jeho provoz je dobíjení baterií. Twintalker funguje na 8 kanálech.

### 1.1 Předpokládaný účel použití

Zařízení lze použít i k různým rekreačním účelům. Například: při cestování pro komunikaci mezi dvěma či více automobily, při cyklistice či lyžování. Můžete jej použít pro spojení se svými dětmi, které si hrají venku, atd.

## 2 Značka CE

Symbol CE na přístroji, v návodu pro uživatele a na dárkové krabici udává, že přístroj splňuje základní požadavky směrnice V&TTE 1995/5/ES.

## 3 Bezpečnostní pokyny

### 3.1 Všeobecné

Pozorně si přečtěte následující informace týkající se bezpečnosti a vhodnosti použití. Seznamte se se všemi funkcemi zařízení. Návod uchovejte na bezpečném místě pro budoucí použití.

### 3.2 Poranění popálením

- V případě poškození krytu antény se jí nedotýkejte, protože pokud se anténa dostane do kontaktu s pokožkou, může při přenosu dojít k drobným popáleninám.
- V případě dotyku nechráněných svorek baterie s vodivými předměty, jako je například bižuterie, klíče nebo řetízky, může dojít k poškození majetku spálením. Předmět může uzavřít elektrický obvod (zkrat) a silně se zahřát. Při manipulaci s jakoukoliv nabívkou baterií, především při jejím vkládání do kapsy, taštičky nebo jiného uloženého místa obsahujícího kovové předměty, zachovávejte opatrnost.

### 3.3 Poranění

- Vaše zařízení neumisťte do prostoru, v němž může dojít k použití airbagů. Airbagy se nafukují prudkou silou. Pokud se přístroj PMR umístí do prostoru používání airbagu a dojde k jeho nafouknutí, může dojít k vymrštění přístroje velkou silou, což může mít za následek vážná zranění cestujících ve vozidle.
- Uchovávejte přístroj PMR ve vzdálenosti minimálně 15 centimetrů od kardiostimulátoru.
- Jakmile dojde k rušení zdravotního zařízení, váš přístroj PMR ihned vypněte.

### 3.4 Nebezpečí výbuchu

- Neprovádějte výměnu baterií v potenciálně výbušném prostředí. Při instalaci nebo výměně baterií může dojít k jiskření kontaktů, což může mít za následek výbuch.
- Pokud se nacházíte v prostoru s potenciálně výbušnou atmosférou, váš přístroj PMR vypněte. Jiskry v těchto prostorách by mohly vyvolat výbuch nebo požár s následným zraněním nebo dokonce usmrcením osob.
- Baterie nikdy neodhadzujte do ohně, protože mohou vybuchnout.



**Prostory s potenciálně výbušnou atmosférou jsou často, avšak nikoliv vždy, jasně označeny. Mezi tyto prostory patří místa pro doplňování paliva, jako například podpalubí člunů a zařízení pro přepravu nebo skladování paliv nebo chemikálií; prostory, v nichž vzduch obsahuje chemikálie nebo částice, jako například zrna, prach nebo kovové prášky; a jakékoliv jiné prostory, v nichž byste normálně byli požádáni o vnutí motoru vašeho vozidla.**

### 3.5 Nebezpečí otravy

- Baterie uchovávejte mimo dosah malých dětí.

### 3.6 Zákonné požadavky

- V některých zemích je zakázáno používat vysílačku při řízení motorového vozidla. V takovém případě zastavte před použitím zařízení mimo silnici.
- Vysílačku VYPNĚTE na palubě letadla, obdržíte-li takový pokyn. Jakékoli použití vysílačky musí odpovídat leteckým předpisům či pokynům posádky.
- Váš přístroj PMR vypínáte v jakýchkoliv zařízeních, kde o to jste požádáni výstražnými nápisy. Nemocnice nebo zdravotnická zařízení mohou používat vybavení, která jsou citlivá vůči externí vysokofrekvenční energii.
- Výměna nebo oprava antény může ovlivnit specifikace přijímače PMR a porušit předpisy CE. Neschvalné antény mohou přijímač také poškodit.

### 3.7 Poznámky

- Při přenosu se antény nedotýkejte, mohl by to ovlivnit dosah.
- Pokud nebudete přístroj delší dobu používat, vyjměte z něj baterie.

## 4 Čištění a údržba

- Zařízení při čištění otřete měkkým hadříkem navlhčeným vodou. Pro čištění zařízení nepoužívejte čisticí přípravky ani rozpuštěná; mohl by poškodit plášť a proniknout dovnitř a také způsobit trvalé poškození.
- Kontakty baterií lze otírat suchým hadříkem neuvlňujícím vlákna.

## 5 Likvidace přístroje (ekologická)



Na konci životnosti produktu neodhazujte tento produkt do normálního domovního odpadu, ale odneste jej na sběrné místo pro recyklaci elektrických a elektronických zařízení. Je to vyznačeno symbolem na produktu, užitelské příručce nebo krabici.

Některé materiály použité v produktu lze znovu použít, pokud je zanesete do sběrného místa pro recyklaci. Opětovným použitím některých částí nebo surovin z použitých produktů významně přispíváte k ochráně životního prostředí. Jestliže potřebujete další informace o sběrných místech ve vašem okolí, obraťte se na místní úřady.

## 6 Použití vysílačky

Při komunikaci musí být všechny vysílačky naladěny na stejný kanál a kód (CTCSS/DCS) a musí se nacházet v dosahu příjmu (maximálně 10 km na otevřeném prostranství). Protože tato zařízení využívají volné kmitočtové pásma (kanály), sdílejí tyto kanály (celkem 8 kanálů - příloha A) všechna zařízení v provozu. Z tohoto důvodu není zaručeno soukromí. Kdokoli s vysílačkou naladěnou na váš kanál může odposlouchávat váš rozhovor. Pokud si přejete komunikovat (přenášet hlasový signál), je třeba, abyste stiskli tlačítko PTT (A).

Jakmile stisknete tlačítko, přejde zařízení do přenosového režimu a vy můžete mluvit do mikrofonu. Všechny ostatní vysílačky v dosahu, na stejném kanálu a na pohotovostním režimu (které nevyšlají) vaši zprávu uslyší. Před odpovědí na zprávu musíte počkat, až druhá strana přenos ukončí. Na konci každého přenosu vyše jednota pípnutí na znamení porozumění, pokud je funkce tohoto pípnutí aktivní (viz kapitolu "12.12 Zapnutí a vypnutí potvrzení „Rozumím“"). Chcete-li odpovědět, stiskněte jednoduše tlačítko PTT (A) a začnete mluvit do mikrofonu.



**Pokud tlačítko PTT (A) stisknou zároveň dva uživatelé nebo více uživatelů, přijme přijímač pouze nejsilnější signál a ostatní signály budou potlačeny. Proto byste měli přenášet signál (stisknutím tlačítka PTT (A)) pouze tehdy, když je kanál volný.**



**Dosah rádiových vln je silně ovlivněn překážkami, jako jsou budovy, železobetonové stavby, terénní nerovnosti, zalesněná krajina, rostliny a podobně. To znamená, že dosah dvou nebo více vysílačů PMR může být v extrémních případech omezen na maximum pouze několik desítek metrů. Brzy poznáte, že vysílačka PMR funguje nejlépe tam, kde je mezi uživateli minimum překážek.**

## 7 Obsah balení

- 2 x vysílačka Twintalker 5400
- 1 x nabíječka Duo
- 1 x napájecí adaptér
- 2 x baterie NiMH
- 2 x spona na opasek
- Návod pro uživatele

## 8 Začínáme

### 8.1 Sejmutí a instalace spony na opasek

1. Jestliže chcete sponu demontovat z jednotky, zatačte ji (B) směrem k anténě a přitom odháněte západku spony (A).
2. Při vrácení spony na místo je zajištění spony ve správné poloze signalizováno cvaknutím.

### 8.2 Instalace baterií

1. Otevřete příhrádku na baterie. Stiskněte uvolňovací západku (C) směrem dolů.
2. Vložte baterie. Na štítku pro umístění baterií bude uvedena správná pozice baterií.
3. Před uzavřením příhrádky pro baterie zkontrolujte gumové těsnění. Ujistěte se, že těsnění je v pořádku a že pod těsněním není žádný cizí předmět.
4. Uzavřete příhrádku pro baterie a pomocí uvolňovací západky dvířka zajištěte.

## 9 Nabíjení baterií

Stolní nabíječka nabízí pohodlné nabíjení pouhým vložením vysílačky do nabíječky.

1. Položte stolní nabíječku na rovný povrch.
2. Zapojte jeden konec dodaného adaptéru do dobře přístupné elektrické zásuvky a druhý konec do konektoru na zadní straně stolní nabíječky.
3. Ujistěte se, že zařízení je vypnuté v pozici OFF.
4. Do nabíječky vložte zařízení.
5. Kontrolka dobíjení LED se rozsvítí, pokud je zařízení správně vloženo a nabíjí se.

Úplné nabití Ni-Mh baterie trvá asi 16 hodin.





**Baterie nezkratujte ani je nelikvidujte vzhováním do ohně. Jestliže zařízení nemá být po delší dobu používáno, baterie vyndejte. V nabíječce nenabíjejte baterie, které nejsou určeny k dobíjení (např. alkalické). Mohlo by dojít k poškození vysílačky a nabíječky.**

## 10 Popis

Viz složenou stranu obálky – obrázek 1.

1. Anténa
2. Displej LCD
3. Konektor pro náhlavní správu dodávanou jako doplněk
4. Konektor pro do nabíječku dodávanou jako doplněk
5. Tlačítko zapnutí/vypnutí / nabídka
6. Větší hlasitost reproduktoru
7. Nižší hlasitost reproduktoru
8. Mikrofon
9. Reprodukter
10. Tlačítko volání / zámek klávesnice
11. Kanál dolů **CH**
12. Kanál nahoru **CH**
13. Tlačítko monitorování **MON**
14. Tlačítko **PTT**

## 11 Informace na LCD displeji

Viz složenou stranu obálky – obrázek 2.

15. Ikona RX
16. Indikace úrovně nabití baterie
17. Ikona TX
18. Ikona zámku klávesnice
19. Ikona hlasitosti
20. Ikona režimu VOX
21. Označení kanálu
22. Označení podkanálu
23. Ikona vyhledávání kanálu
24. Ikona volacího tónu

## 12 Použití zařízení Twintalker 5400



**Pokud jsou v této uživatelské příručce části a ikonky na displeji zobrazeny ve světle šedivé barvě, znamená to, že blikají.**

### 12.1 ZAPNUTÍ/VYPNUTÍ zařízení



Zapnutí:

- Stiskněte a podržte tlačítko po dobu 2 sekund. Zařízení „pipne“ a na LCD displeji se zobrazí aktuální kanál.

Vypnutí:

- Stiskněte a podržte tlačítko po dobu 2 sekund. Zařízení „pipne“ a LCD displej zhasne.

### 12.2 Ukazatel úrovně nabití baterie a signalizace vybití baterie

Úroveň nabití baterie je uvedena ikonkou baterie na LCD obrazovce.



Baterie jsou plně nabitě.



Baterie jsou téměř vybité.



Baterie jsou téměř vybité.



**Když je baterie téměř vybitá, zařízení se automaticky po 30 sekundách vypne.**

### 12.3 Nastavení hlasitosti reproduktoru

Existuje zde 8 úrovní hlasitosti reproduktoru (0..7).



- Jestliže chcete hlasitost zvýšit, stiskněte v pohotovostním režimu tlačítko . Úroveň hlasitosti se zobrazí.
- Jestliže chcete hlasitost snížit, stiskněte tlačítko .
- Po 5 sekundách se zařízení vrátí do pohotovostního stavu.

### 12.4 Přijem signálu

Je-li vysílačka zapnutá a nevysílá signál, je trvale v režimu příjmu.



**Pokud má vaše vysílání přijímat někdo další, musí mít naladěný stejný kanál a nastavený stejný kód (kapitola 12.6 a 12.7).**

### 12.5 Vysílání signálu



- Pro přenos stiskněte a podržte tlačítko **PTT** . Zobrazí se symbol TX.
- Přístroj držte ve svislé poloze s mikrofonem 10 cm před ústy a mluvte do mikrofonu .
- Chcete-li přenos ukončit, uvolněte tlačítko **PTT** .

### 12.6 Změna kanálu



- Pro přechod o kanál výše nebo níže použijte tlačítko **CH** nebo **CH** .
- Potvrďte nastavení stisknutím tlačítka **PTT** .

### 12.7 Podkanály: CTCSS (Continuous Tone Coded Squelch System) / DCS (Digital Coded Squelch)

Vysílačky PMR, k jejichž používání není potřebná licence a pracují ve frekvenčním pásmu 446 MHz, mají k dispozici 8 kanálů. Pokud je ve vašem okolí velký počet uživatelů vysílaček PMR, existuje možnost, že někteří z nich používají stejný kanál. Abyste mohli zabránit přijímání signálů od jiných uživatelů, jsou ve vysílačce integrovány podkanály.

Dvě vysílačky PMR spolu mohou komunikovat pouze tehdy, pokud používají stejný kanál a mají zvoleny přesně stejný podkanál. Existují dva druhy podkanálů:

- Continuous Tone Coded Squelch System (CTCSS)
- Digital Coded Squelch (DCS)

Při používání režimu CTCSS je spolu s hlasovým signálem vysílán tón o nízké frekvenci (z intervalu 67 až 250 Hz). Můžete vybrat z 38 dostupných tónů. Můžete si vybrat libovolný z těchto 38 dostupných tónů. Vzhledem k filtrování budou tyto tóny obecně neslyšitelné, proto nebudou komunikaci rušit. DCS se podobá CTCSS, ale místo spojitého vysílání tónu o dané frekvenci jsou k rádiovému signálu přidána digitální data. Digitální data jsou přenášena skutečně nízkou rychlostí, přibližně 134 b/s (kód má délku 23 bitů). Režim DCS podporují pouze vysílačky PMR nejnovější generace. Použití lze 83 dostupných kódů DCS. Protože starší modely podporují pouze režim CTCSS, je lepší zabránit rušení vaší konverzace pomocí vysílaček PMR tím, že použijete režim DCS.

### 12.7.1 Změna podkanálů



- Stiskněte tlačítko ⑤ : Aktuálně vybraný podkanál (nebo „oF“ v případě, že zde není žádný podkanál) začne blikat.
- Použijte tlačítko **CH▲** ⑫ nebo tlačítko **CH▼** ⑪ pro výběr požadovaného podkanálu:
  - 1..38: CTCSS kód (1...38)
  - 39..121: DCS kód (1...83)
- Potvrďte nastavení stisknutím tlačítka **PTT** ⑭ .



V příloze B budou uvedeny detailní informace o kódech podkanálů CTCSS a DCS.

### 12.8 Volání



Pokud stisknete tlačítko ⑩ , pošlete tón volání ostatním uživatelům na stejném kanálu/podkanálu. To znamená, že chcete začít konverzaci.

- Stiskněte tlačítko ⑩ .



Je zde 5 různých tónů volání. Tón volání si můžete vybrat v menu:

- Stiskněte tlačítko ⑤ čtyřikrát
- Použijte tlačítko **CH▲** ⑫ nebo tlačítko **CH▼** ⑪ pro výběr tónu volání.
- Potvrďte nastavení stisknutím tlačítka **PTT** ⑭ .

### 12.9 Sledování

Funkci monitoru můžete použít pro ověření slabších signálů na aktuálním kanálu.

- Stiskněte tlačítko **MON** ⑬ pro zahájení monitorování.
- Pokud podržíte toto tlačítko po dobu delší než 3 vteřiny, zařízení přejde do monitorovacího režimu.
- Stiskněte tlačítko znovu pro zrušení monitorovací funkce.

### 12.10 Vyhledávání kanálů

Funkce vyhledávání kanálů provádí vyhledávání aktivních signálů v nekonečné smyčce od kanálu 1 po kanál 8. Po nalezení aktivního kanálu se vyhledávání zastaví a můžete poslouchat přenos.

Pokud na nalezeném kanálu není žádná aktivita, skenování po dvou vteřinách skončí.

Pokud stisknete tlačítko **PTT** ⑭ na nalezeném kanálu, funkce skenování skončí a zařízení zůstane na tomto kanálu.



- Stiskněte tlačítko ⑤ dvakrát.
- Použijte tlačítko **CH▲** ⑫ nebo **CH▼** ⑪ tlačítko ⑪ pro výběr volby Y pro skenování.
- Pro potvrzení stiskněte tlačítko ⑤ : Bude zahájeno skenování.
- Skenování se zastaví, jakmile stisknete tlačítko **PTT** ⑭ .

### 12.11 VOX

Je-li připojena náhlavní (bez tlačítka **PTT**) souprava dodávaná jako doplněk, je možné použít funkci přenosu aktivovaného hlasem (VOX). V tomto případě nemusí uživatel pro zahájení přenosu stisknout tlačítko **PTT**. Twintalker 5400 začne přenos v okamžiku, kdy začnete hovořit do mikrofonu náhlavní soupravy.



- Stiskněte tlačítko ⑤ třikrát.
- Pro výběr citlivosti režimu VOX použijte tlačítko **CH▲** ⑫ nebo **CH▼** ⑪ , případně **oF** pro deaktivaci režimu VOX. (Režim VOX má 5 úrovní citlivosti.)
  - Úroveň 1: maximální citlivost vhodná do tichého prostředí
  - ...
  - Úroveň 5: nejnižší citlivost vhodná do hluchého prostředí
- Potvrďte nastavení stisknutím tlačítka **PTT** ⑭ .

### 12.12 Zapnutí a vypnutí potvrzení „Rozumím“

Po uvolnění tlačítka **PTT** ⑭ vyšle zařízení potvrzení „Rozumím“, čímž se potvrdí ukončení vaší promluvy.



Tlačítko porozumění je možné zapnout nebo vypnout:

- Stiskněte tlačítko ⑤ pětikrát
- Stisknutím tlačítka **CH▲** ⑫ nebo **CH▼** ⑪ funkci tlačítka porozumění zapnete (Y) nebo vypnete (n).
- Potvrďte nastavení stisknutím tlačítka **PTT** ⑭ .

### 12.13 Zapnutí a vypnutí zvukového signálu při stisknutí tlačítka

Pokud stisknete tlačítko, je možné slyšet určitý tón.



Zvukový signál při stisknutí tlačítka je možné zapnout nebo vypnout:

- Stiskněte šestkrát tlačítko ⑤ .
- Stisknutím tlačítka **CH▲** ⑫ nebo **CH▼** ⑪ funkci zvukový signál při stisknutí tlačítka zapnete (Y) nebo vypnete (n).
- Potvrďte nastavení stisknutím tlačítka **PTT** ⑭ .

### 12.14 Zámek klávesnice



- Jestliže chcete aktivovat režim zámku klávesnice, stiskněte tlačítko ⑩ a podržte je po dobu tři sekund.



Pokud je použit zámek, tlačítko **PTT** ⑭ , tlačítko hlasitosti, tlačítko monitorování (MON) a tlačítko volání budou ⑩ stále funkční. Všechna ostatní tlačítka budou uzamčena.

## 13 Záruka

### 13.1 Záruční doba

Na zařízení je poskytována záruka v délce trvání 24 měsíců. Záruční doba začíná dnem zakoupení nového přístroje. Není zde žádná záruka na standardní nebo dobíjecí baterie

Záruka se nevztahuje na žádné škody způsobené vnějšími vlivy, např. bleskem, vodou či požárem, ani na škody vzniklé během uplatnění záruky vzniká předložením originálu nebo kopie dokladu o koupi, na kterém musí být uvedeno datum nákupu a model přístroje.

### 13.2 Výjimky ze záruky

Záruka se nevztahuje na poškození nebo vady způsobené nesprávným zacházením s přístrojem nebo jeho nesprávným používáním ani na škody vzniklé z důvodu použití neoriginálních součástí nebo příslušenství.

Záruka se nevztahuje na žádné škody způsobené vnějšími vlivy, např. bleskem, vodou či požárem, ani na škody vzniklé během přepravy. Záruku nelze uplatnit, pokud bylo sériové číslo na přístroji změněno, odstraněno nebo je nečitelné. Pokud byl přístroj opravený, změněn či upraven uživatelem, pozbyvá záruka platnosti.

Tento výrobek splňuje základní požadavky a další příslušná ustanovení směrnice 1999/5/ES.

Prohlášení o shodě je k dispozici na následující adrese:  
<http://www.topcom.net/support/cedclarations.php>

## 1 Εισαγωγή

Σας ευχαριστούμε που αγοράσατε το Twintalker 5400. Πρόκειται για συσκευή ραδιοεπικοινωνίας χαμηλής ισχύος και μεγάλης εμβέλειας (μέχρι 10 χλμ.). Δεν έχει άλλες διατάξεις λειτουργίας εκτός από το ελάχιστο κόστος της επαναφόρτισης των μπαταριών. Το Twintalker λειτουργεί σε 8 κανάλια.

### 1.1 Προοριζόμενη χρήση

Μπορεί επίσης να χρησιμοποιηθεί για ψυχαγωγικούς σκοπούς. Για παράδειγμα: για τη διατήρηση επαφής ενώ ταξιδεύετε με 2 ή περισσότερα αυτοκίνητα, κάνετε ποδήλατο ή σκι. Μπορεί να χρησιμοποιηθεί για να κρατάτε επαφή με τα παιδιά σας ενώ παίζετε έξω κ.λπ.

## 2 Σήμανση "CE"

Το σύμβολο CE στη μονάδα, στο εγχειρίδιο χρήσης και στο κουτί συσκευασίας υποδηλώνει ότι η μονάδα συμμορφώνεται με τις ουσιώδεις απαιτήσεις της Ευρωπαϊκής Οδηγίας 1995/5/ΕΚ περί τελεματικού ραδιοφωνικού και τηλεπικοινωνιακού εξοπλισμού (R&TTE).

## 3 Οδηγίες ασφαλείας

### 3.1 Γενικά

Διαβάστε προσεκτικά τις πληροφορίες που ακολουθούν σχετικά με την ασφάλεια και τη σωστή χρήση της συσκευής. Εξοικειωθείτε με όλες τις λειτουργίες της συσκευής. Κρατήστε αυτό το εγχειρίδιο σε ασφαλές μέρος για να μελλοντική χρήση.

### 3.2 Εγκυμια

- Αν το κάλυμμα της κεραίας υποστεί βλάβη, μην το αγγίξετε γιατί, αν μια κεραία έρθει σε επαφή με το δέρμα, ενδέχεται να προκαλέσει ελαφρύ έγκαυμα ενώ εκπέμπει.
- Οι μπαταρίες μπορεί να προκαλέσουν υλικές ζημιές όπως καμίνια αν κάποιο αγνόημο υλικό όπως κοσμήματα, κλειδιά ή αλυσίδες με χάντρες έρθουν σε επαφή με εκτεθειμένες ακροδέκτες. Το υλικό ενδέχεται να δημιουργήσει κλειστό ηλεκτρικό κύκλωμα (βραχυκύκλωμα) και να θερμανθεί πολύ. Επιδεκνύεται ιδιαίτερη προσοχή κατά το χειρισμό οποιαδήποτε φορτισμένης μπαταρίας, ιδιαίτερα όταν την τοποθετείτε μέσα σε τσέπη, πορτοφόλι ή άλλη θήκη μαζί με μεταλλικά αντικείμενα.

### 3.3 Τραυματισμοί

- Μην τοποθετείτε τη συσκευή σας στην περιοχή πάνω από τον άνερασσο ή στην περιοχή ανάπτυξης του αεράσσο. Οι αεράσσοι φουσκώνουν με μεγάλη δύναμη. Εάν το PMR τοποθετηθεί στην περιοχή ανάπτυξης του αεράσσο και ο αεράσσοι φουσκώσει, η συσκευή επικοινωνίας μπορεί να εκτοξευθεί με μεγάλη δύναμη και να προκαλέσει σοβαρό τραυματισμό στους επιβαίνοντες στο όχημα.
- Το PMR πρέπει να βρίσκεται σε απόσταση 15 εκατοστών τουλάχιστον από βηματοδότη.
- Σε περίπτωση παρεμβολής με ιατρικό εξοπλισμό, απενεργοποιήστε αμέσως το PMR.

### 3.4 Κίνδυνος έκρηξης

- Μην αντικαθιστάτε τις μπαταρίες σε περιβάλλον όπου υπάρχει αυξημένος κίνδυνος έκρηξης. Κατά την τοποθέτηση ή την αφαίρεση μπαταριών, υπάρχει κίνδυνος πρόκλησης σπινθηρίων και εκδήλωσης έκρηξης.
- Όταν βρίσκεται σε περιοχή με ατμόσφαιρα όπου υπάρχει κίνδυνος έκρηξης, απενεργοποιήστε το PMR. Οι σπινθήρες σε αυτές τις περιοχές μπορούν ενδεχομένως να προκαλέσουν έκρηξη ή πυρκαγιά, με αποτέλεσμα την πρόκληση σωματικής βλάβης ή ακόμα και θανάτου.
- Μην πετάτε ποτέ τις μπαταρίες στη φωτιά, καθώς μπορεί να προκληθεί έκρηξη.



Στις περιοχές όπου υπάρχει κίνδυνος έκρηξης, συνήθως - αλλά όχι πάντα - υπάρχει σαφής σχετική σήμανση. Σε αυτές συμπεριλαμβάνονται οι περιοχές ανεφοδιασμού καυσίμων, όπως το κατώτερο κάπνισμα σε σκάφη, εγκαταστάσεις μεταφοράς ή αποθήκευσης καυσίμων ή χημικών, περιοχές όπου ο αέρας περιέχει χημικά ή σωματίδια, όπως π.χ. κόκκοι, σκόνη ή σκόνες μετάλλων, καθώς και οποιαδήποτε άλλη περιοχή όπου κανονικά θα έπρεπε να οβήσετε τη μηχανή του οχήματός σας.

### 3.5 Κίνδυνος δηλητηρίασης

- Φυλάξτε τις μπαταρίες σε μέρος όπου δεν έχουν πρόσβαση τα παιδιά.

### 3.6 Νομοθεσία

- Σε ορισμένες χώρες, απαγορεύεται να χρησιμοποιείτε το PMR ενώ οδηγείτε ένα όχημα. Σε αυτή την περίπτωση, πρώτα σταθμίστε πριν χρησιμοποιήσετε αυτήν τη συσκευή.
- Απενεργοποιήστε το PMR όταν έχετε επιβιβαστεί σε αεροπλάνο και σας δοθεί η σχετική οδηγία. Οποιοδήποτε χρήση του PMR πρέπει να είναι σύμφωνη με τους κανονισμούς της αεροπορικής εταιρείας ή τις οδηγίες του πληρώματος.
- Κλείστε το PMR σε οποιαδήποτε εγκατάσταση έχουν αναρτήσει σχετικές ειδοποιήσεις. Νοσοκομεία ή μονάδες ιατρικής φροντίδας ενδεχομένως να χρησιμοποιούν εξοπλισμό που είναι ευαίσθητος στην εξωτερική ραδιοσυχνική (RF) ενέργεια.
- Η αντικατάσταση ή τροποποίηση της κεραίας μπορεί να επηρεάσει τις προδιαγραφές του προμηθευτή PMR και να παραβιάσει τους κανονισμούς της ΕΚ. Οι μη εξουσιοδοτημένες κεραίες μπορούν επίσης να προκαλέσουν βλάβη στον πομποδέκτη.

### 3.7 Σημειώσεις

- Μην αγγίζετε την κεραία κατά τη διάρκεια εκπομπής, καθώς κάτι τέτοιο ενδεχομένως να επηρεάσει τον ηχητικό.
- Αφαιρέστε τις μπαταρίες, εάν δεν σκοπεύετε να χρησιμοποιήσετε τη συσκευή για μεγάλο χρονικό διάστημα.

## 4 Καθαρισμός και συντήρηση

- Για να καθαρίσετε τη μονάδα, σκουπίστε την με ένα μαλακό πανί ελαφρά βρεγμένο με νερό. Μην χρησιμοποιήσετε κάποιο καθαριστικό μέσο ή διαλύτες στη μονάδα, καθώς είναι δυνατόν να προκαλέσουν βλάβη στο περιβλήμα και να διαφρακίσουν στο εσωτερικό του, προκαλώντας μόνιμη βλάβη.
- Μπορείτε να καθαρίσετε τις επαφές της μπαταρίας με ένα στεγνό πανί που δεν αφήνει χνούδι.

## 5 Αποθήρευση της συσκευής (οδηγίες για την προστασία του περιβάλλοντος)



Στο τέλος του κύκλου ζωής του προϊόντος, δεν πρέπει να πετάξετε αυτό το προϊόν μαζί με οικιακά απορρίμματα αλλά να το παραδώσετε σε κάποιο σημείο συλλογής για την ανακύκλωση ηλεκτρικού και ηλεκτρονικού εξοπλισμού. Αυτό υποδεικνύεται από το σύμβολο ανάστροφου στο προϊόν, στο εγχειρίδιο χρήσης ή/και στη συσκευασία.

Κέλυτρο από τα υλικά του προϊόντος μπορούν να χρησιμοποιηθούν ξανά, αν τα παραδώσετε σε κάποιο σημείο συλλογής υλικών προς ανακύκλωση. Με την επαναχρησιμοποίηση κάποιων μερών ή πρώτων υλών από χρησιμοποιημένα προϊόντα, συμβάλλετε σημαντικά στην προστασία του περιβάλλοντος. Σε περίπτωση που χρειάζεστε περισσότερες πληροφορίες σχετικά με τα σημεία συλλογής στην περιοχή σας, επικοινωνήστε με τις τοπικές αρχές.

## 6 Χρήση μιας συσκευής PMR

Για να είναι σωστή η επικοινωνία μεταξύ συσκευών PMR, πρέπει να έχουν ρυθμιστεί όλες στο ίδιο κανάλι και στο ίδιο υποκανάλι (CT/CSS/DCS) και να βρίσκονται εντός εμβέλειας λήψης (μέχρι 10 χλμ. σε ανοιχτό πεδίο). Καθώς αυτές οι συσκευές χρησιμοποιούν ελεύθερες ζώνες συχνότητας (κανάλια), όλες οι συσκευές που βρίσκονται σε λειτουργία μοιράζονται αυτά τα κανάλια (συνολικά 8 κανάλια - Παράρτημα Α). Επομένως, δεν υφίσταται εγγύηση ιδιωτικότητας. Οποιοσδήποτε διαθέτει ένα PMR και έχει ρυθμιστεί το κανάλι σας μπορεί να ακούσει τη συνομιλία. Αν θέλετε να επικοινωνήσετε (μεταδίδοντας ένα φωνητικό σήμα) πρέπει να πατήσετε το πλήκτρο PTT (14).

Μόλις πατήσετε αυτό το πλήκτρο, η συσκευή θα μπει σε λειτουργία εκπομπής και μπορείτε να μιλήσετε στο μικρόφωνο. Όλες οι άλλες συσκευές PMR εντός εμβέλειας, στο ίδιο κανάλι και σε λειτουργία αναμονής (μη εκπομπής) θα ακούει το μίγημά σας. Πρέπει να περιμένετε έως ότου το άλλο μέρος σταματήσει να εκπέμπει την πρόθεσή να απαντήσει στο μήνυμα. Στο τέλος κάθε εκπομπής, και εφόσον η λειτουργία Roger Beep έχει ενεργοποιηθεί (βλ. κεφάλαιο "1.12 Ενεργοποίηση/Απενεργοποίηση του Roger Beep"), η μονάδα εκπέμπει έναν χαρακτηριστικό ήχο. Για να απαντήσετε, απλώς πατήστε το πλήκτρο PTT (14) και μιλήστε στο μικρόφωνο.



Εάν 2 ή περισσότεροι χρήστες πατήσουν ταυτόχρονα το πλήκτρο PTT (14), ο δέκτης θα λάβει μόνο το ισχυρότερο σήμα και το(τα) άλλο(α) σήμα(τα) θα κατασταλεί(-ούν). Επομένως, θα πρέπει να εκπέμπετε μόνο ένα σήμα (πατήστε το πλήκτρο PTT (14)) όταν το κανάλι είναι ελεύθερο.



Η εμβέλεια των ραδιοκυμάτων επηρεάζεται σε μεγάλο βαθμό από φυσικά εμπόδια όπως π.χ. κτίρια, κατασκευές από σκυρόδεμα/μέταλλο, τις ανωμαλίες του εδάφους, δέντρα, φυτά κ.λπ. Αυτό σημαίνει ότι η εμβέλεια λειτουργίας δύο ή περισσότερων συσκευών PMR μπορεί, σε μερικές ακραίες περιπτώσεις, να περιοριστεί μέχρι και σε μερικές δεκάδες μέτρα. Σύντομα θα παρατηρήσετε ότι οι συσκευές PMR επικοινωνούν μεταξύ τους καλύτερα, όταν μεταξύ τους παρεμβάλλονται τα ελάχιστα δυνατά φυσικά εμπόδια.

## 7 Περιεχόμενο συσκευασίας

- 2 συσκευές Twintalker 5400
- 1 φορτιστής Duo
- 1 προφοδιστικό
- 2 επαναφορτιζόμενες μπαταρίες NiMH
- 2 κλιπ ζώνης
- Εγχειρίδιο χρήσης

## 8 Τα πρώτα βήματα

### 8.1 Τοποθέτηση/Αφαίρεση του κλιπ ζώνης

1. Για να αφαιρέσετε το κλιπ από τη μονάδα, απωθήστε το κλιπ ζώνης (B) προς την κεραία, καθώς πιέζετε την ασφάλεια του κλιπ (A).
2. Κατά την επανατοποθέτηση του κλιπ ζώνης, θα ακούσετε ένα κλικ που θα υποδεικνύει ότι το κλιπ ζώνης έχει "κουμπώσει" στη θέση του.

### 8.2 Τοποθέτηση των μπαταριών

1. Ανοίξτε την υποδοχή μπαταρίας. Ωθήστε την ασφάλεια (C) προς τα κάτω.
2. Τοποθετήστε την μπαταρία στη θέση της. Η ετικέτα της επαναφορτιζόμενης μπαταρίας δείχνει τη σωστή θέση της μπαταρίας.
3. Προσοχή: Η τοποθέτηση της μπαταρίας, ελέγξτε την ελαστική ταινία ασφαλείας περιμετρικά του χώρου της μπαταρίας. Βεβαιωθείτε ότι η ταινία είναι εντελώς καλάς κατάστασης και ότι δεν υπάρχουν ξένα σώματα κάτω από αυτήν.
4. Κλείστε το πορτίκι του χώρου της μπαταρίας και κλειδώστε το με την ασφάλεια.



## 9 Φόρτιση των μπαταριών

Ο επιπρατέζιος φορτιστής επιτρέπει την εύκολη τοποθέτηση της μπαταρίας στην ειδική υποδοχή του.

1. Τοποθετήστε τον επιπρατέζιο φορτιστή σε επίπεδη επιφάνεια.
2. Βάλτε το παρεχόμενο τροφοδοτικό στην πρίζα και συνδέστε το βύσμα του καλωδίου του στην υποδοχή στο πίσω μέρος του επιπρατέζιου φορτιστή.
3. Βεβαιωθείτε ότι η συσκευή είναι εκτός λειτουργίας.
4. Τοποθετήστε τη συσκευή στην ειδική υποδοχή του φορτιστή.
5. Η ενδεικτική λυχνία LED φόρτισης θα ανάψει, αν η συσκευή έχει τοποθετηθεί σωστά και φορτίζεται.

Θα χρειαστούν περίπου 16 ώρες για την πλήρη φόρτιση της μπαταρίας Ni-MH.



**Μην βραχυκυκλώνετε τις μπαταρίες και μην τις απορρίπτετε στη φωτιά. Αφαιρέστε τις μπαταρίες αν η συσκευή δεν πρόκειται να χρησιμοποιηθεί για μεγάλο χρονικό διάστημα. Μην φορτίζετε κοινές μπαταρίες μίας χρήσης, όπως π.χ. αλκαλικές, στο φορτιστή. Κάτι τέτοιο μπορεί να προκαλέσει ζημιά στη συσκευή PMR και στο φορτιστή.**

## 10 Περιγραφή

Ανατρέξτε στο διπλωμένο εξώφυλλο - Εικόνα 1

1. Κεραία
2. Οθόνη υγρών κρυστάλλων (LCD)
3. Υποδοχή σύνδεσης προαιρετικών ακουστικών
4. Υποδοχή σύνδεσης προαιρετικού φορτιστή
5. Πλήκτρο On/Off-μενού
6. Αύξηση έντασης ήχου στο μεγάφωνο
7. Μείωση έντασης ήχου στο μεγάφωνο
8. Μικρόφωνο
9. Μεγάφωνο
10. Πλήκτρο κλήσης/κλειδώματος πλήκτρων
11. Μείωση καναλιού
12. Αύξηση καναλιού
13. Πλήκτρο παρακολούθησης MON
14. Πλήκτρο PTT

## 11 Πληροφορίες ενδείξεων στην οθόνη LCD

Ανατρέξτε στο διπλωμένο εξώφυλλο - Εικόνα 2

15. Εικονίδιο RX
16. Ένδειξη επιπέδου φόρτισης μπαταρίας
17. Εικονίδιο TX
18. Εικονίδιο κλειδωμένων πλήκτρων
19. Εικονίδιο έντασης
20. Εικονίδιο λειτουργίας Vox
21. Ένδειξη καναλιού
22. Ένδειξη υποκαναλιού
23. Εικονίδιο αόρασης
24. Εικονίδιο κλήσης

## 12 Χρήση του Twintalker 5400



Σε αυτό το εγχειρίδιο χρήσης, εάν κάποια ένδειξη στην οθόνη απεικονίζεται σε ανοικτό γκρι χρώμα, αυτό σημαίνει ότι η ένδειξη αυτή αναβοσβήνει.

### 12.1 Ενεργοποίηση/απενεργοποίηση της μονάδας



Ενεργοποίηση:

- Πατήστε και κρατήστε πατημένο το πλήκτρο για 2 δευτερόλεπτα. Θα ακουστεί ένας χαρακτηριστικός ήχος και η οθόνη LCD θα εμφανίσει το τρέχον κανάλι.

Απενεργοποίηση:

- Πατήστε και κρατήστε πατημένο το πλήκτρο για 2 δευτερόλεπτα. Θα ακουστεί ένας χαρακτηριστικός ήχος και η οθόνη LCD θα σβήσει.

### 12.2 Ένδειξη επιπέδου φόρτισης μπαταρίας/χαμηλής μπαταρίας

Το επίπεδο φόρτισης της μπαταρίας υποδεικνύεται από το εικονίδιο μπαταρίας στην οθόνη LCD.



- Μπαταρία φορτισμένη πλήρως
- Χαμηλή μπαταρία
- Μπαταρία σχεδόν εκφόρτιστη



Όταν η μπαταρία είναι σχεδόν εκφόρτιστη, η συσκευή τίθεται αυτόματα εκτός λειτουργίας μετά από 30 δευτερόλεπτα.

### 12.3 Ρύθμιση έντασης ήχου στο μεγάφωνο

Υπάρχουν 8 διαθέσιμα επίπεδα έντασης του ήχου στο μεγάφωνο (0..7).



- Σε κατάσταση αναμονής, πατήστε το πλήκτρο για να αυξήσετε την ένταση του ήχου στο μεγάφωνο. Το επίπεδο της έντασης εμφανίζεται στην οθόνη.
- Πατήστε το πλήκτρο για να μειώσετε την ένταση του ήχου στο μεγάφωνο.
- Μετά από 5 δευτερόλεπτα, η συσκευή θα επανέλθει σε κατάσταση αναμονής.

### 12.4 Λήψη σήματος

Η μονάδα βρίσκεται συνεχώς στη λειτουργία λήψης όταν είναι ενεργοποιημένη και δεν εκπέμπει.



Προκειμένου άλλα άτομα να μπορούν να λάβουν την εκπομπή σας, πρέπει να έχουν ρυθμίσει τις συσκευές τους στο ίδιο κανάλι και στο ίδιο υποκανάλι (βλ. ενότητες 12.6 και 12.7).

### 12.5 Εκπομπή σήματος



- Για εκπομπή, πατήστε και κρατήστε πατημένο το πλήκτρο PTT . Στην οθόνη εμφανίζεται το σύμβολο TX.
- Κρατήστε τη μονάδα σε κατακόρυφη θέση, με το μικρόφωνο σε απόσταση 10 εκ. από το στόμα, και μιλήστε στο μικρόφωνο .
- Όταν θέλετε να διακόψετε την εκπομπή, αφήστε το πλήκτρο PTT .

### 12.6 Αλλαγή καναλιού



- Χρησιμοποιήστε τα πλήκτρα ή/και για να μεταβείτε σε μεγαλύτερο ή μικρότερο κανάλι.
- Πατήστε το πλήκτρο PTT για επιβεβαίωση.

### 12.7 Υποκανάλια: CTCSS (ακρωνύμιο του όρου Continuous Tone Coded Squelch System) / DCS (ακρωνύμιο του όρου Digital Coded Squelch)

Οι συσκευές PMR που δεν απαιτούν αδειοδότηση και λειτουργούν στη μπάνα συχνότητας των 446 MHz έχουν 8 διαθέσιμα ραδιο-κανάλια. Εάν υπάρχουν άλλες συσκευές PMR εκτός εμβέλειας της δικής σας, υπάρχει η πιθανότητα να είναι κι αυτές ρυθμισμένες στο ίδιο ραδιο-κανάλι.

Για να μην λαμβάνετε σήματα από άλλες συσκευές, χρησιμοποιούνται τα υποκανάλια.

Έτσι, δύο συσκευές PMR μπορούν να επικοινωνήσουν μεταξύ τους μόνον εφ' όσον έχουν ρυθμιστεί στο ίδιο ακριβώς κανάλι και υποκανάλι.

Υπάρχουν δύο τύποι υποκαναλιών:

- CTCSS (Continuous Tone Coded Squelch System)
- DCS (Digital Coded Squelch)

Όταν χρησιμοποιείτε τον τύπο CTCSS, εκπέμπεται ένας τόνος χαμηλής συχνότητας (μεταξύ 67 και 250 Hz) μαζί με το φωνητικό σήμα. Υπάρχουν 38 διαθέσιμοι τόνοι. Μπορείτε να επιλέξετε οποιονδήποτε από αυτούς τους 38 διαθέσιμους τόνους. Χάρη στη χρήση ειδικών φίλτρων, οι τόνοι αυτοί γενικά δεν ακούγονται και έτσι δεν παρεμποδίζουν την επικοινωνία. Το DCS είναι παρόμοιο με το CTCSS, με τη μόνη διαφορά ότι, αντί για την αποστολή ενός συνεχούς τόνου της επιλεγμένης συχνότητας, στο φωνητικό σήμα προστίθεται μια ψηφιακή εκπομπή δεδομένων. Αυτός ο ψηφιακός κωδικός εκπέμπεται σε πολύ



χαμηλό ρυθμό μετάδοσης, γύρω στα 134 bit ανά δευτερόλεπτο (ο κώδικας έχει μήκος 23 bit). Μόνον οι συσκευές PMR τελευταίας γενιάς υποστηρίζουν τον τύπο DCS. Υπάρχουν 83 διαθέσιμοι κωδικοί DCS που μπορείτε να χρησιμοποιήσετε. Επιπλέον τα παλαιότερα μοντέλα χρησιμοποιούν αποκλειστικά τον τύπο CTCSS, συνιστάται να χρησιμοποιήσετε τον τύπο DCS για να αποκλειστεί το ενδεχόμενο υποκλοπής των συνομιλιών σας από άλλους χρήστες συσκευών PMR.

### 12.7.1 Αλλαγή υποκαναλιών



- Πατήστε το πλήκτρο 5: Η ένδειξη του τρέχοντος επιλεγμένου υποκαναλιού (ή "oF", εάν δεν έχει επιλεγεί υποκανάλι) θα αρχίσει να αναβοβλίνει στην οθόνη.
- Με τη βοήθεια των πλήκτρων **CH▲** 12 ή/και **CH▼** 11, επιλέξτε το επιθυμητό υποκανάλι:  
1..38: Κωδικός CTCSS (1 έως 38)  
39..121: Κωδικός DCS (1 έως 83)
- Πατήστε το πλήκτρο **PTT** 14 για επιβεβαίωση.



Στο Παράρτημα Β παρατίθενται όλες οι λεπτομέρειες σχετικά με τους κωδικούς υποκαναλιών τύπου CTCSS και DCS.

### 12.8 Πραγματοποίηση κλήσης



Όταν πατάτε το πλήκτρο 10, εκπέμπεται έναν τόνο κλήσης, ο οποίος λαμβάνεται από τις άλλες συσκευές εντός εμβέλειας που έχουν ρυθμιστεί στο ίδιο κανάλι και υποκανάλι. Αυτό υποδηλώνει ότι θέλετε να αρχίσετε μια συνομιλία.

- Πατήστε το πλήκτρο 10.



Υπάρχουν 5 διαφορετικοί τόνοι κλήσης. Μπορείτε να επιλέξετε έναν τόνο κλήσης μέσα από το μενού:

- Πατήστε το πλήκτρο 5 τέσσερις φορές.
- Με τη βοήθεια των πλήκτρων **CH▲** 12 ή/και **CH▼** 11, επιλέξτε έναν τόνο κλήσης.
- Πατήστε το πλήκτρο **PTT** 14 για επιβεβαίωση.

### 12.9 Παρακολούθηση

Μπορείτε να χρησιμοποιήσετε τη λειτουργία παρακολούθησης για να ελέγξετε για τυχόν ασθενέστερα σήματα στο τρέχον κανάλι.

- Πατήστε το πλήκτρο **MON** 13 για να αρχίσετε την παρακολούθηση.
- Εάν κρατήσετε πατημένο το πλήκτρο αυτό για περισσότερο από 3 δευτερόλεπτα, η συσκευή θα μεταβεί σε κατάσταση συνεχούς παρακολούθησης.
- Πατήστε το πλήκτρο ξανά για να απενεργοποιήσετε τη λειτουργία παρακολούθησης.

### 12.10 Σάρωση καναλιών

Η σάρωση καναλιών εκτελεί αναζήτηση ενεργών σημάτων κυκλικά από το κανάλι 1 έως το 8.

Μόλις εντοπιστεί ένα ενεργό κανάλι, η σάρωση σταματά για να ακούσετε τη συνομιλία στο συγκεκριμένο κανάλι.

Εάν η συνομιλία διακοπεί στο συγκεκριμένο κανάλι, η σάρωση θα συνεχιστεί μετά από 2 δευτερόλεπτα.

Εάν πατήσετε το πλήκτρο **PTT** 14, μόλις η συσκευή εντοπίσει ένα ενεργό κανάλι, η λειτουργία σάρωσης θα τερματιστεί και η συσκευή θα παραμείνει συντονισμένη στο συγκεκριμένο κανάλι.



- Πατήστε το πλήκτρο 5 δύο φορές.
- Με τη βοήθεια των πλήκτρων **CH▲** 12 ή/και **CH▼** 11, επιλέξτε Y για σάρωση.
- Πατήστε το πλήκτρο 5 για επιβεβαίωση. Τότε, η σάρωση για αρχίζει.
- Πατήστε ξανά το πλήκτρο **PTT** 14, για να τερματίσετε τη σάρωση.

### 12.11 VOX

Μόλις συνδέσετε τα προαιρετικά ακουστικά (χωρίς πλήκτρο **PTT**), μπορείτε να χρησιμοποιήσετε τη λειτουργία φωνολεγόμενης εκπομπής (VOX).

Με τον τρόπο αυτό, δεν χρειάζεται να πατάτε το πλήκτρο **PTT** για να αρχίσετε τη φωνητική εκπομπή. Το Twintalker 5400 θα αρχίσει να εκπέμπει μόλις αρχίσετε να μιλάτε στο ενσωματωμένο μικρόφωνο των ακουστικών.



- Πατήστε το πλήκτρο 5 τρεις φορές.
- Με τη βοήθεια των πλήκτρων **CH▲** 12 ή/και **CH▼** 11, επιλέξτε το επίπεδο VOX ή το **oF** για να απενεργοποιήσετε τη λειτουργία VOX (υπάρχουν 5 επίπεδα VOX).  
– Επίπεδο 1: Υψηλή ευαισθησία, για συνθήκες χαμηλού θορύβου  
– ...  
– Επίπεδο 5: Χαμηλή ευαισθησία, για συνθήκες υψηλού θορύβου
- Πατήστε το πλήκτρο **PTT** 14 για επιβεβαίωση.

### 12.12 Ενεργοποίηση/Απενεργοποίηση του Roger Beep

Μόλις αφήσετε το πλήκτρο **PTT** 14, η μονάδα εκπέμπει το σήμα "roger beep" (τέλος επικοινωνίας), το οποίο επιβεβαιώνει ότι σταματήσατε να μιλάτε.



Μπορείτε να ενεργοποιήσετε ή να απενεργοποιήσετε το Roger Beep:

- Πατήστε το πλήκτρο 5 πέντε φορές.
- Με τη βοήθεια των πλήκτρων **CH▲** 12 ή/και **CH▼** 11, ενεργοποιήστε (Y) ή απενεργοποιήστε (n) το Roger Beep.
- Πατήστε το πλήκτρο **PTT** 14 για επιβεβαίωση.

### 12.13 Ενεργοποίηση/απενεργοποίηση ήχου πλήκτρων

Κάθε φορά που πατάτε ένα πλήκτρο, η συσκευή μπορεί να παράγει έναν τόνο.



Μπορείτε να ενεργοποιήσετε ή να απενεργοποιήσετε τον ήχο πλήκτρων:

- Πατήστε το κουμπί 5 έξι φορές.
- Με τη βοήθεια των πλήκτρων **CH▲** 12 ή/και **CH▼** 11, ενεργοποιήστε (Y) ή απενεργοποιήστε (n) τον ήχο πλήκτρων.
- Πατήστε το πλήκτρο **PTT** 14 για επιβεβαίωση.

### 12.14 Κλειδωμα πλήκτρων



- Πατήστε και κρατήστε πατημένο το πλήκτρο 10 επί 3 δευτερόλεπτα, για να ενεργοποιήσετε/ απενεργοποιήσετε τη λειτουργία κλειδώματος πλήκτρων.



Ακόμη και μετά την ενεργοποίηση του κλειδώματος πλήκτρων, το πλήκτρο **PTT** 14, τα πλήκτρα ελέγχου έντασης του ήχου, το πλήκτρο παρακολούθησης (**MON**) και το πλήκτρο κλήσης 10 εξακολουθούν να λειτουργούν. Όλα τα υπόλοιπα πλήκτρα θα είναι κλειδωμένα.

## 13 Εγγύηση

### 13.1 Περίοδος εγγύησης

Οι συσκευές καλύπτονται από εγγύηση διάρκειας 24 μηνών. Η περίοδος της εγγύησης ξεκινά από την ημέρα αγοράς της καινούριας συσκευής. Δεν παρέχεται εγγύηση για τις ελαττωματικές ή τις κοινές ματαρίες μίας χρήσης.

Η εγγύηση δεν καλύπτει αναλώσιμα ή τα ελαττώματα με αμελήτα επίδραση στη λειτουργία ή την αξία του εξοπλισμού. Η εγγύηση πρέπει να αποδεικνύεται με την προσκόμιση της αυθεντικής απόδειξης αγοράς ή ενός αντηνάρφου αυτής, όπου θα αναγράφονται η ημερομηνία αγοράς και το μοντέλο της συσκευής.

### 13.2 Εξαιρέσεις εγγύησης

Η εγγύηση δεν καλύπτει βλάβες ή ελαττώματα τα οποία οφείλονται σε εσφαλμένη χρήση ή χειρισμό, καθώς και βλάβες που οφείλονται στη χρήση μη γνήσιων εξαρτημάτων ή παρελκόμενων τα οποία δεν καλύπτονται από την παρούσα εγγύηση.

Η εγγύηση δεν καλύπτει ζημιές που οφείλονται σε εξωτερικούς παράγοντες, όπως π.χ. κεραυνός, νερό και πυρκαγιά, ούτε ζημιές που προκαλούνται κατά τη μεταφορά. Δεν γίνονται δεκτές αξιώσεις στα πλαίσια της εγγύησης, εάν ο υπαρκτός αριθμός της συσκευής έχει τροποποιηθεί, έχει αφαιρεθεί ή είναι δυσαρμόγως. Οποιοδήποτε αξίωμα στα πλαίσια της εγγύησης θα θεωρηθούν μη έγκυρες, σε περίπτωση που η μονάδα έχει επισκευαστεί, αλλοιωθεί ή τροποποιηθεί από τον αγοραστή.

Το προϊόν συμμορφούται με τις βασικές απαιτήσεις και τις λοιπές σχετικές διατάξεις της Ευρωπαϊκής Οδηγίας 1999/5/EK περί τερματικού ραδιοφωνικού και τηλεπικοινωνιακού εξοπλισμού (R&TTE).

Για τη Δήλωση συμμόρφωσης, ανατρέξτε στη διεύθυνση:  
<http://www.topcom.net/support/cedclarations.php>

## 1 Wstęp

Zwiększamy za zakup urządzenia Twintalker 5400. Jest to komunikacyjne urządzenie radiowe zasilane niskim napięciem o zasięgu maksymalnie 10 km. Jego koszty eksploatacyjne ograniczają się do doładowania baterii. Urządzenie Twintalker obsługuje 8 kanałów.

### 1.1 Przeznaczenie

Urządzenie można używać w celach rekreacyjnych. Przykładowe zastosowania: utrzymywanie łączności podczas jazdy kłkami samochodami, podczas przejazdów rowerowych, jazdy na nartach itd. Może się też przydać do kontaktowania się z dziećmi, gdy bawią się na zewnątrz i w podobnych sytuacjach.

### 2 Oznaczenie CE

Symbol CE na urządzeniu, w instrukcji użytkownika i na opakowaniu oznacza, że urządzenie spełnia istotne wymagania dyrektywy R&TTE 1995/5/WE (1995/5/EC).

### 3 Instrukcje bezpieczeństwa

#### 3.1 Informacje ogólne

Należy uważnie przeczytać poniższe informacje dotyczące bezpieczeństwa oraz prawidłowego użytkowania. Konieczne jest też zapoznanie się ze wszystkimi funkcjami urządzenia. Niniejszą instrukcję należy przechowywać w bezpiecznym miejscu do wglądu w przyszłości.

#### 3.2 Obrażenia wynikające z poparzeń

- Jeżeli osłona anteny jest uszkodzona, nie należy jej dotykać, ponieważ kontakt anteny ze skórą może spowodować niegroźne oparzenia podczas transmisji.
- Baterie mogą spowodować uszkodzenia mienia (przypalenie), jeżeli obiekty wykonane z materiałów przewodzących, takie jak biżuteria lub kluczyki, będą dotykać nieizolowanych styków. Materiały takie mogą zamknąć obwód i znacznie się nagrzać w wyniku zwarcia. Należy zachować ostrożność podczas obciążania się z naładowanymi bateriami, szczególnie gdy są chowane w kieszeni, torebce lub w innym miejscu, gdzie znajdują się metalowe przedmioty.

#### 3.3 Obrażenia

- Nie należy umieszczać urządzenia nad poduszką powietrzną w samochodzie ani w strefie wybuchu poduszki powietrznej. Poduszki powietrzne wybuchają z dużą siłą. Jeżeli radio PMR zostanie umieszczone w strefie wybuchu poduszki powietrznej, a ta zostanie uaktywniona, urządzenie może zostać wyrzucone z wielką siłą, powodując poważne obrażenia u pasażerów pojazdu.
- Radio PMR należy trzymać w odległości co najmniej 15 centymetrów od rozrusznika serca.
- Radio PMR należy natychmiast wyłączyć, jeśli zakłóca pracę sprzętu medycznego.

#### 3.4 Zagrożenie wybuchem

- Nie należy wymieniać baterii w środowisku zagrażającym wybuchem. Podczas instalacji lub wymiany baterii może wystąpić iskrzenie na stykach, co zagraża wybuchem.
- Radio PMR należy wyłączyć w środowisku zagrażającym wybuchem. W takich miejscach iskrzenie może spowodować wybuch lub pożar, co grozi obrażeniami, a nawet śmiercią.
- Nie wolno wrzucać baterii do ognia, ponieważ mogą wybuchnąć.



Miejsca, gdzie występuje zagrożenie wybuchem, są zazwyczaj (choć nie zawsze) oznaczone. Obejmują one strefy napełniania paliwem, takie jak dolne pokłady statków, obiekty, gdzie są przechowywane lub przewożone paliwa i chemikalia, strefy, gdzie w powietrzu obecne są chemikalia lub cząsteczki materiałów, takich jak ziarno, pył i opiłki metali, a także wszelkie inne miejsca, gdzie zalecane jest wyłączenie silnika.

#### 3.5 Ryzyko zatrucia

- Baterie należy przechowywać poza zasięgiem małych dzieci.

#### 3.6 Nota prawna

- W niektórych krajach korzystanie z urządzeń PMR jest zabronione w trakcie kierowania pojazdem. W takim wypadku w celu użycia urządzenia konieczne jest zjechanie z drogi i zatrzymanie się.
- Jeżeli personel samolotu nakáže wyłączenie radia PMR, należy się do tego dostosować. Korzystanie z radia PMR musi odbywać się zgodnie z przepisami dotyczącymi ruchu lotniczego i poleceniami załogi samolotu.
- Radio PMR należy wyłączyć w miejscach, w których wywieszono są tabliczki zakazujące jego używania. W szpitalach i ośrodkach zdrowia może być stosowany sprzęt, który jest wrażliwy na fale radiowe.
- Wymiana lub modyfikacja anteny może mieć wpływ na parametry radia PMR i być niezgodna z przepisami CE. Anteny pochodzące z niezgodnego źródła mogą również uszkodzić radio.

#### 3.7 Uwagi

- Nie należy dotykać anteny podczas transmisji, gdyż może to ograniczyć zasięg urządzenia.
- Jeżeli urządzenie nie będzie używane przez dłuższy czas, należy wyjąć z niego baterie.

### 4 Czyszczenie i konserwacja

- Urządzenie należy czyścić miękką szmatką lekko zwilżoną wodą. Nie należy stosować środków czyszczących ani rozpuszczalników. Mogą one naruszyć obudowę i przedostać się do środka, trwale uszkadzając urządzenie.
- Styki baterii można czyścić suchą szmatką, która nie pozostawia włókien.

### 5 Utylizacja urządzenia (ochrona środowiska)



Po zakończeniu okresu eksploatacji urządzenia nie należy go wyrzucać razem ze zwykłymi odpadami domowymi. Należy je oddać do punktu zbiórki zajmującego się recyklingiem sprzętu elektrycznego i elektronicznego. Informuje o tym odpowiedni symbol umieszczony na urządzeniu, w instrukcji obsługi lub na opakowaniu. Niektóre materiały zastosowane w urządzeniu mogą zostać ponownie wykorzystane, jeśli zostaną dostarczone do punktu recyklingu. Ponowne wykorzystanie niektórych części lub surowców pochodzących ze zużytych produktów przyczynia się w istotny sposób do ochrony środowiska. Aby uzyskać informacje na temat punktów zbiórki w okolicy, należy skontaktować się z lokalnymi władzami.

### 6 Korzystanie z urządzenia PMR

Aby umożliwić komunikację między radiami PMR, należy ustawić na obu urządzeniach ten sam kanał i podkanał (CTCSS/DCS) oraz umieścić je w zasięgu odbioru (do 10 km na otwartej przestrzeni). Urządzenia korzystają z wolnych pasm częstotliwości (kanałów). Wszystkie działające urządzenia współdzielią te kanały (łącznie 8 kanałów zgodnie z załącznikiem A). Z tego względu nie można zagwarantować prywatności rozmów. Każda osoba z radiem PMR i ustawionym tym samym kanałem może usłyszeć rozmowę. Aby nawiązać komunikację (rozpocząć transmisję sygnału głosowego), należy nacisnąć przycisk PTT (A). Po naciśnięciu tego przycisku urządzenie przechodzi w tryb transmisji i można zacząć mówić do mikrofonu. Wszystkie inne urządzenia PMR w zasięgu sygnału, z ustawionym tym samym kanałem i będące w trybie gotowości (nie w czasie transmisji), odbiorą nadaną wiadomość. Zanim będzie można odpowiedzieć, trzeba poczekać, aż rozmówca zakończy transmisję. Jeśli włączono sygnał potwierdzenia (patrz rozdział "12.12 Włączanie/wyłączanie sygnału potwierdzenia"), na koniec każdej transmisji jest emitowany sygnał dźwiękowy. Aby odpowiedzieć, wystarczy nacisnąć przycisk PTT (A) i mówić do mikrofonu.



Jeżeli przycisk PTT (A) naciśnięcie w danej chwili więcej niż jedno osobę, do odbiorcy dotrze tylko najmniejszy sygnał, a pozostałe sygnały zostaną stłumione. Z tego względu należy transmitować sygnał (nacisnąć przycisk PTT (A)) tylko wtedy, gdy kanał jest wolny.



Zasięg fal radiowych jest silnie ograniczany przez przeszkody, takie jak budynki, konstrukcje betonowe/metalowe, nierówności terenu, lasy czy fabryki. Oznacza to, że w niektórych ekstremalnych sytuacjach zasięg pomiędzy dwoma radiami PMR może być ograniczony do kilkudziesięciu metrów. Radio PMR działa najlepiej przy minimalnej liczbie przeszkód pomiędzy użytkownikami.

### 7 Zawartość opakowania

- 2 urządzenia Twintalker 5400
- 1 x podwójna ładowarka
- 1 x zasilacz
- 2 x pakiet baterii NiMH
- 2 x zaczep do paska
- Instrukcja obsługi

### 8 Wprowadzenie

#### 8.1 Zakładanie/zdejmowanie zaczepu do paska

1. Aby zdjąć zaczep do paska z urządzenia, wypchnij go (B) w kierunku anteny, pociągając równocześnie za występ (A).
2. Przy ponownym zakładaniu słyhać cichy trzask informujący o załadowaniu zaczepu.



#### 8.2 Wkładanie baterii

1. Otwórz komorę baterii. Pchnij zatrzask (C) w dół.
2. Włóż baterię. Etykieta na pakiecie baterii informuje o prawidłowej pozycji baterii.
3. Przed zamknięciem pokrywy baterii sprawdź ułożenie gumowej uszczelki wokół komory baterii. Upewnij się, że uszczelka jest w dobrym stanie i nie ma pod nią żadnych zanieczyszczeń.
4. Zamknij komorę baterii i załóż pokrywę baterii zatrzaskiem.

### 9 Ładowanie baterii

Urządzenie można umieścić w ładowarce biurkowej w celu naładowania.

1. Umieścić ładowarkę na płaskiej powierzchni.
2. Podłączyć jeden koniec kabla zasilacza do łatwo dostępnego gniazda elektrycznego, a drugi koniec do gniazdek w tylnej części ładowarki.
3. Upewnij się, że radio jest wyłączone.
4. Umieścić radio w ładowarce.
5. Gdy urządzenie jest prawidłowo umieszczone w ładowarce i ładowane, świeci dioda ładowania LED.

Całkowite naładowanie baterii NiMH zajmuje około 16 godzin.



Nie należy powodować zwarcia baterii ani wrzucać ich do ognia. Jeżeli urządzenie nie będzie używane przez dłuższy czas, należy wyjąć z niego baterie. Nie należy ładować zwykłych baterii, które nie są przeznaczone do ładowania, takich jak baterie alkaliczne. Może to spowodować uszkodzenie urządzenia PMR i ładowarki.

## 10 Opis

Patrz składana strona okładki — rysunek 1

1. Antena
2. Wyświetlacz LCD
3. Opcjonalne złącze słuchawek
4. Opcjonalne złącze ładowarki
5. Przycisk włączania/wyłączania/menu
6. Głośniejsz
7. Ciszej
8. Mikrofon
9. Głośnik
10. Blokada przycisków/wywołanie
11. Poprzedni kanał
12. Następny kanał
13. Przycisk monitorowania MON
14. Przycisk PTT

## 11 Informacje na wyświetlaczu LCD

Patrz składana strona okładki — rysunek 2

15. Ikona RX
16. Wskazanie stanu baterii
17. Ikona TX
18. Ikona blokady klawiszy
19. Ikona głośności
20. Ikona Vox
21. Wskaźnik kanału
22. Wskaźnik podkanału
23. Ikona skanowania
24. Ikona wywołania

## 12 Korzystanie z Twintalkera 5400



Jeśli w tej instrukcji obsługi obszary i ikony wyświetlacza są pokazane w kolorze jasnoszarym, oznacza to ich miganie.

### 12.1 Włączanie/wyłączanie urządzenia



Włączanie:

- Naciśnij przycisk i przytrzymaj go przez 2 sekundy. Urządzenie wygeneruje sygnał dźwiękowy, a na wyświetlaczu pojawi się bieżący kanał.

Wyłączanie:

- Naciśnij przycisk i przytrzymaj go przez 2 sekundy. Urządzenie wygeneruje sygnał dźwiękowy, a wyświetlacz wyłączy się.

### 12.2 Wskaźnik poziomu naładowania/niskiego poziomu naładowania baterii

O poziomie naładowania baterii informuje ikona baterii na wyświetlaczu LCD.



Baterie naładowane

Niski poziom naładowania baterii



Baterie prawie rozładowane



Gdy baterie są bliskie rozładowania, urządzenie wyłącza się automatycznie po 30 sekundach.

### 12.3 Regulacja głośności

Dostępnych jest 8 poziomów głośności (od 0 do 7).



- Aby zwiększyć głośność, w trybie gotowości naciśnij przycisk . Zostanie wyświetlony poziom głośności.
- Aby zmniejszyć poziom głośności, naciśnij przycisk .
- Po 5 sekundach urządzenie wróci do trybu bezczynności.

### 12.4 Odbiór sygnału

Gdy włączone urządzenie nie nadaje, jest w trybie odbioru.



Aby inne osoby mogły odbierać transmisję, muszą mieć ustawiony ten sam kanał i podkanał (patrz rozdziały 12.6 i 12.7).

### 12.5 Transmisja sygnału



- Naciśnij i przytrzymaj przycisk PTT , aby nadawać. Zostanie wyświetlony symbol TX.
- Trzymaj urządzenie pionowo z mikrofonem w odległości około 10 cm od ust i mów do mikrofonu .
- Zwolnij przycisk PTT , aby przerwać nadawanie.

### 12.6 Zmianianie kanałów



- Przyciski i pozwalają wybrać odpowiednio następny i poprzedni kanał.
- Naciśnij przycisk PTT , aby potwierdzić wybór.

### 12.7 Podkanały: CTCSS (kodowany tonowo system ciągłego wyciszania szumów)/DCS (kodowany cyfrowo system wyciszania szumów)

Radia PMR działające w nielicencjonowanym paśmie częstotliwości 446 MHz oferują 8 kanałów radiowych. Jeżeli w otoczeniu znajduje się wielu użytkowników urządzeń PMR, istnieje prawdopodobieństwo, że część z nich będzie korzystać z tego samego kanału radiowego.

W celu zabezpieczenia przed odbiorem sygnałów od innych użytkowników zostały dodane podkanały.

Dwa radia PMR mogą komunikować się tylko wtedy, gdy oba pracują na tym samym kanale radiowym i mają wybrany dokładnie ten sam podkanał.

Są dwa rodzaje podkanałów:

- Kodowany tonowo system ciągłego wyciszania szumów (CTCSS)
- Kodowany cyfrowo system wyciszania szumów (DCS)

W przypadku używania systemu CTCSS wraz z sygnałem głosowym jest wysyłany ton niskiej częstotliwości (pomiędzy 67 a 250 Hz). Można wybrać jeden z 38 różnych tonów. Można wybrać dowolny z tych 38 tonów. Dzięki filtrowaniu tony te zazwyczaj nie są słyszalne, a tym samym nie zakłócają komunikacji.

System DCS jest podobny do systemu CTCSS, ale zamiast wysyłania ciągłego sygnału tonowego o wybranej częstotliwości do sygnału radiowego jest dodawana transmisja danych cyfrowych. Kod cyfrowy jest transmitowany z bardzo małą szybkością, około 134 bitów na sekundę (kod jest 23-bitowy). Tylko urządzenia PMR najnowszej generacji obsługują technologię DCS. Są dostępne 83 kody DCS. Starsze modele obsługują tylko technologię CTCSS, dlatego zalecane jest używanie technologii DCS, aby nie słyszeć innych użytkowników w czasie rozmów przez radio PMR.

### 12.7.1 Zmianianie podkanałów



- Naciśnij przycisk : zacznie migać wybrany podkanał (lub symbol oF w przypadku braku podkanału).
- Wybierz odpowiedni podkanał za pomocą przycisku **CH▲** lub **CH▼** :  
1..38: kod CTCSS (od 1 do 38)  
39..121: kod DCS (od 1 do 83)
- Naciśnij przycisk **PTT** , aby potwierdzić wybór.



Załącznik B zawiera szczegółowe informacje o kodach podkanałów CTCSS i DCS.

### 12.8 Nawijanie połączenia



Naciśnięcie przycisku powoduje transmisję dźwięku wywołania do innych osób używających tego samego kanału/podkanału. Informuje to o chęci rozpoczęcia rozmowy.

- Naciśnij przycisk .



Jest dostępnych 5 różnych dźwięków wywołania. Dźwięk wywołania można wybrać w menu:

- Naciśnij przycisk cztery razy.
- Wybierz dźwięk wywołania za pomocą przycisków **CH▲** i **CH▼** .
- Naciśnij przycisk **PTT** , aby potwierdzić wybór.

### 12.9 Monitorowanie

Funkcja monitorowania służy do wyszukiwania słabszych sygnałów w ramach bieżącego kanału.

- Aby rozpocząć monitorowanie, naciśnij przycisk **MON** .
- Jeśli ten przycisk zostanie przytrzymany przez ponad 3 sekundy, radio przejdzie w tryb ciągłego monitorowania.
- Aby wyłączyć funkcję monitorowania, ponownie naciśnij ten przycisk.

### 12.10 Skanowanie kanałów

Funkcja skanowania kanałów umożliwia wyszukiwanie aktywnych sygnałów na kanałach od 1 do 8 w nieskończonej pełni. Skanowanie zostanie przerwane po odnalezieniu aktywnego kanału, tak aby było można słuchać rozmowy.

Jeśli znaleziony kanał przestanie być aktywny, skanowanie zostanie wznowione po 2 sekundach.

Naciśnięcie przycisku **PTT** po znalezieniu kanału spowoduje wyłączenie funkcji skanowania. Radio pozostanie ustawione na dany kanał.



- Naciśnij przycisk dwa razy.
- Za pomocą przycisku **CH▲** lub **CH▼** wybierz opcję Y dla skanowania.
- Naciśnij przycisk , aby potwierdzić wybór. Rozpocznie się skanowanie.
- Skanowanie zostanie zatrzymane po naciśnięciu przycisku **PTT** .

### 12.11 VOX

W przypadku podłączenia opcjonalnego zestawu słuchawkowego (bezprzyciskowy PTT) można używać funkcji nadawania aktywowanego głosem (VOX). Dzięki niej transmisję można rozpoczynać bez naciskania przycisku PTT. Twintalker 5400 rozpocznie transmisję, gdy użytkownik zacznie mówić do mikrofonu zestawu słuchawkowego.



- Naciśnij przycisk trzy razy.
- Za pomocą klawisza **CH▲** lub **CH▼** wybierz poziom funkcji VOX lub opcję oF, aby wyłączyć funkcję VOX. (Dostępnych jest 5 poziomów funkcji VOX).
  - Poziom 1: najwyższa czułość dla cichych środowisk
  - ...
  - Poziom 5: najniższa czułość dla głośniejszych środowisk
- Naciśnij przycisk **PTT** , aby potwierdzić wybór.

### 12.12 Włączanie/wyłączanie sygnału potwierdzenia

Po zwolnieniu przycisku **PTT** urządzenie wyemituje sygnał potwierdzenia, potwierdzając zakończenie rozmowy.



Sygnał potwierdzenia można włączyć lub wyłączyć.

- Naciśnij przycisk pięć razy.
- Za pomocą przycisku **CH▲** lub **CH▼** włącz (Y) lub wyłącz (n) sygnał potwierdzenia.
- Naciśnij przycisk **PTT** , aby potwierdzić wybór.

### 12.13 Włączanie/wyłączanie dźwięku przycisków

Naciskanie przycisków może powodować odtwarzanie dźwięków.



Dźwięk przycisków można włączyć lub wyłączyć.

- Nacisnąć przycisk sześć razy:
- Za pomocą przycisku **CH▲** lub **CH▼** włącz (Y) lub wyłącz (n) dźwięk przycisku.
- Naciśnij przycisk **PTT** , aby potwierdzić wybór.

### 12.14 Blokada klawiszy



- Naciśnij i przytrzymaj przycisk przez trzy sekundy, aby włączyć/wyłączyć funkcję blokady przycisków.



Gdy jest włączona blokada przycisków, nadal działają przyciski **PTT** , zmiany głośności, monitorowania (MON) i wywołania . Wszystkie pozostałe przyciski są zablokowane.

## 13 Gwarancja

### 13.1 Okres gwarancji

Urządzenia są objęte 24-miesięczną gwarancją. Okres gwarancji rozpoczyna się w dniu zakupu nowego urządzenia. Firma Topcom nie udziela żadnej gwarancji na baterie ładowane (akumulatory) ani zwykłe. Części eksploatacyjne i wady niezauważalne wpływające na działanie lub wartość sprzętu nie są objęte gwarancją. Gwarancje należy poświadczyc, przedstawiając dokument zakupu (oryginał lub kopię), na którym widnieje data zakupu oraz model urządzenia.

### 13.2 Wyjątki od gwarancji

Uszkodzenia lub wady spowodowane nieprawidłowym obchodzeniem się z urządzeniem lub nieprawidłowym korzystaniem z urządzenia oraz uszkodzenia powstałe w wyniku zastosowania nieoryginalnych części lub akcesoriów nie są objęte gwarancją. Gwarancja nie obejmuje szkód wywołanych przez czynniki zewnętrzne, takie jak pioruny, woda i ogień, ani uszkodzeń powstałych w czasie transportu. Gwarancja nie ma zastosowania, jeśli numer seryjny urządzenia został zmieniony lub usunięty albo nie może zostać odczytany. Wszelkie roszczenia gwarancyjne zostaną uznane za nieważne, jeśli urządzenie było naprawiane, zmieniane lub modyfikowane przez użytkownika.

Ten produkt spełnia podstawowe wymogi i inne mające zastosowanie postanowienia dyrektywy R&TTE 1999/5/WE (1999/5/EC).

Deklarację zgodności można znaleźć na stronie:  
<http://www.topcom.net/support/cedclarations.php>

## 1 Úvod

Dakujeme Vám, že ste si zakúpili Twintalker 5400. Ide o rádiokomunikačný prístroj s nízkou spotrebou a dlhým dosahom, ktorý je najviac 10 km. Okrem dobijania batérií nemá žiadne náklady na prevádzku. Twintalker pracuje na ôsmych kanáloch.

### 1.1 Účel použitia

Prístroj je použitelný na rôzne rekreačné účely. Napríklad: Na cestách na udržiavanie kontaktu medzi dvomi alebo viacerými automobilmi, pri bicyklovani alebo lyžovaní. Môže sa tiež používať na udržiavanie kontaktu s deťmi hrajúcimi sa vonku a pod.

## 2 Značka CE

Symbol CE na prístroji, v používateľskej príručke a na darčekovom balení potvrdzuje, že prístroj spĺňa základné podmienky smernice R&TTE 1995/5/ES.

## 3 Bezpečnostné pokyny

### 3.1 Všeobecné informácie

Prečítajte si pozorne nasledujúce informácie týkajúce sa bezpečného a správneho používania tohto prístroja. Oboznámte sa so všetkými funkciami prístroja. Príručku uschovajte na bezpečnom mieste na budúce použitie.

### 3.2 Popáleniny

- Ak je kryt antény poškodený, nedotýkajte sa ho, pretože pri kontakte antény s kožou by počas vysielania mohlo dôjsť k drobnému popáleniu.
- Batérie môžu spôsobiť škody na majetku (napr. spálenie), ak sa vodivý materiál, ako sú šperky, klíče či reťazky, dotknú nenchránených svoriek batérie. Materiál môže uzavrieť elektrický obvod (spôsobí skrat) a veľmi sa zohriať. Pri zaošchádzaní s nabitými batériami postupujte opatrne, najmä pri ich uložení do vrecka, kabelky alebo na iné miesto obsahujúce kovové predmety.

### 3.3 Zranenia

- Prístroj neumiestňujte do oblasti nad airbagom či do priestoru nafúknutia airbag. Airbagy sa nafukujú veľkou silou. Ak sa vysielacia nadvíha v priestore vystrelenia airbagu, môže byť vystrelená veľkou silou a spôsobiť vážne zranenie posádky vozidla.
- Vysielaciu udržiujte najmenej 15 cm od kardiostimulátora.
- Ak dôjde k interferencii vysielacích s lekáckym prístrojom, PRÍSTROJ okamžite VYPNITE.

### 3.4 Nebezpečenstvo výbuchu

- Batérie nevymieňajte v potenciálne výbušnom prostredí. Pri vkladaní alebo vyberaní batérie môže na kontaktoch dôjsť k iskreniu, čo môže zapríčiniť výbuch.
- V prostredí s nebezpečenstvom výbuchu vysielaciu vypnite. Iskry na takomto mieste by mohli spôsobiť výbuch alebo požiar s následkom telesného zranenia alebo smrti.
- Batérie nikdy nehádzte do ohňa, pretože môžu vybuchnúť.



Miesta s potenciálne výbušnou atmosférou bývajú často, ale nie vždy, jasne označené. Ide napríklad o miesta na dopĺňanie paliva, ako sú podpalubia lodí alebo prostredia so zariadeniami na čerpanie alebo uloženie paliv či chemikálií; miesta, kde vzduch obsahuje chemikálie alebo rôzne častice, napríklad prach, obilniny alebo kovový prášok a akékoľvek ďalšie miesta, kde by vás bežne požiadali o vypnutie motora vozidla.

### 3.5 Nebezpečenstvo otravy

- Batérie uchovávajte mimo dosahu malých detí.

### 3.6 Právne informácie

- V niektorých krajinách je zakázané používať vysielaciu počas riadenia motorového vozidla. V takomto prípade pred používaním prístroja odstavte vozidlo.
- Vysielaciu VYPNITE na palube lietadla, keď vás k tomu vyzývajú. Akékoľvek použitie vysielaciu musí byť v súlade so stanovami leteckej dopravnej spoločnosti alebo inštrukciami posádky.
- Vysielaciu VYPNITE všade tam, kde vám to nariaďujú vyvesené oznamy. Nemocnice a zdravotnícke zariadenia môžu používať prístroje, ktoré sú citlivé na vonkajšiu rádiovú frekvenciu a energiu.
- Výmena a úprava antény môžu zmeniť rádiové parametre vysielaciu a porušiť predpisy CE. Nepovolené antény môžu tiež poškodiť vysielaciu.

### 3.7 Poznámky

- Počas vysielania sa nedotýkajte antény, pretože to môže ovplyvniť dosah vysielania.
- Ak prístroj nebudete používať dlhší čas, vyberte z neho batérie.

## 4 Čistenie a starostlivosť o prístroj

- Prístroj čistite mäkkou tkaninou navlhčenou vo vode. Na čistenie prístroja nepoužívajte čistiadla ani rozpúšťadlá; môžu poškodiť kryt, zatiecť dovnútra a spôsobiť trvalé poškodenie.
- Kontakty batérií môžete pretrieť suchou handričkou, ktorá nepúšťa vlákna.

## 5 Likvidácia prístroja (ochrana životného prostredia)



Po skončení životnosti tento výrobok nevyhadzujte s bežným komunálnym odpadom, ale odovzdajte ho v zbernom stredisku na recykláciu elektrických a elektronických zariadení. Túto povinnosť označuje symbol na prístroji, v používateľskej príručke alebo na obale. Ak výrobok odovzdáte v zbernom stredisku, niektoré jeho materiály budú môcť byť znova použité. Opätovné použitie niektorých častí či surovín z použitého výrobku významne prispieva k ochrane životného prostredia. Viac informácií o najbližších zberných strediskách vám poskytne príslušný miestny úrad.

## 6 Používanie vysielaciu

Počas komunikácie musia byť všetky vysielaciu nalaďené na ten istý kanál a kód (CTCSS/DCS) a musia sa nachádzať v dosahu prijmu (maximálne 10 km v otvorenom priestore). Keďže tieto prístroje používajú pásma (kanály) voľných frekvencií, tieto kanály prestane vysielaciu, potom možno v správu odovzdať. Na konci každého vysielania pošle prístroj pípnutie na znamenie potvrdenia, pokiaľ je táto funkcia aktívna (pozrite si kapitolu „12.12 Zapnutie/vypnutie potvrdzujúceho pípnutie“). Ak chcete odpovedať, stlačte jednoducho tlačidlo PTT (A) a začítajte hovoriť do mikrofónu.



Pokiaľ tlačidlo PTT (A) stlačia v tom istom čase dvaja alebo viaceri používatelia, prístroj prijme iba najsilnejší signál a ostatné signály budú potlačené. Preto by ste mali vysielaciu signál (stlačením tlačidla PTT (A)) len vtedy, keď je kanál voľný.



Dosah rádiových vln je veľmi ovplyvnený prekážkami, napríklad budovami, betónovými alebo kovovými stenami, horúcimi povrchmi terenu, lesmi, rastlinami a pod. To znamená, že dosah dvoch alebo viacerých vysielaciu môže byť v niektorých extrémnych prípadoch obmedzený maximálne na niekoľko desiatok metrov. Čoskoro zaregistrujete, že vysielacia funguje najlepšie vtedy, ak nie sú medzi používateľmi žiadne prekážky.

## 7 Balenie obsahuje

- 2 x Twintalker 5400
- 1 x nabíjacia Duo
- 1 x napájací adaptér
- 2 x batéria NiMH
- 2 x svorka na opasok
- Používateľská príručka

## 8 Začínáme

### 8.1 Nainštalovanie/odstránenie prichytky na opasok

1. Ak chcete sponu na opasok odpojiť, zatlačte sponu na opasok (B) smerom k anténe a súčasne potiahnite jazyček spony (A).
2. Keď nasadzujete sponu na opasok, budete počuť kliknutie – to znamená, že ste sponu na opasok upevnili správne.



### 8.2 Inštalácia batérií

1. Otvorte priestor na batérie. Zatlačte západku (C) smerom doľu.
2. Vložte batérie. Štítko na batérii naznačuje správne umiestnenie batérie.
3. Pred uzatvorením krytu batérií skontrolujte gumené tesnenie okolo priehradky na batérie. Ubezpečte sa, že tesnenie je v dobrom stave, a že sa pod ním nenachádza žiaden cudzí materiál.
4. Zatvorte kryt priestoru na batérie a pomocou západky zaistite dvierka batérie.

### 9 Nabíjanie batérií

Batérie môžete nabíjať jednoduchým vložením stolovej nabíjacky.

1. Položte stovku nabíjacky na rovný povrch.
2. Zasuňte jeden koniec príloženého adaptéra do ľahko prístupnej zásuvky a druhý koniec do konektora na zadnej strane stolovej nabíjacky.
3. Ubezpečte sa, či je vysielacia VYPNUTÁ.
4. Vložte vysielaciu do nabíjacky.
5. Indikátor dobijania sa rozsvieti, pokiaľ je prístroj správne vložený a nabíja sa.

Úplné nabitie Ni-MH batérie trvá približne 16 hodín.



**Batériu neskratujte, ani ju nehádzte do ohňa. Ak prístroj nebudete používať dlhší čas, vyberte z neho batériu.  
V nabíjačke nenabíjajte žiadne batérie, napríklad alkalické. Môže sa tým poškodiť vysielacia a nabíjačka.**

## 10 Opis

Pozrite si zahnutú stránku obalu – obrázok 1

1. Anténa
2. LCD displej
3. Konektor doplnkovej náhlavnej súpravy
4. Konektor doplnkovej nabíjačky
5. Tlačidlo zap./vyp./menu
6. Hlasitosť reproduktora – zvýšiť
7. Hlasitosť reproduktora – znížiť
8. Mikrofón
9. Reproduktor
10. Tlačidlo Hovor/Zamknúť klávesnicu
11. Výber kanála – dolu **CH**
12. Výber kanála – hore **CH**
13. Tlačidlo monitorovania **MON**
14. Tlačidlo **PTT**

## 11 Informácie na LCD displeji

Pozrite si zahnutú stránku obalu – obrázok 2

15. Ikona RX
16. Ukazovateľ stavu nabitia batérie
17. Ikona TX
18. Ikona zámku klávesnice
19. Ikona hlasitosti
20. Ikona VOX
21. Označenie kanála
22. Indikácia podkanála
23. Ikona vyhľadávania
24. Ikona Hovor

## 12 Používanie prístroja Twintalker 5400



**Ak sú segmenty a ikony displeja v tejto používateľskej príručke zobrazené svetlosivou farbou, znamená to, že blikajú.**

### 12.1 Zapnutie a vypnutie vysieláčky



Zapnutie:

- Stlačte a podržte tlačidlo 5 sekundy. Prístroj „pípne“ a na LCD displeji sa zobrazí aktuálny kanál.

Vypnutie:

- Stlačte a podržte tlačidlo 5 sekundy. Prístroj „pípne“ a LCD displej zhasne.

### 12.2 Indikátor stavu batérie/Indikácia slabej batérie

Stav nabitia batérie je uvedená pomocou ikony batérie na LCD obrazovke.



Batéria úplne nabitá



Batéria vybitá



Batéria takmer úplne vybitá



**Keď je batéria takmer úplne vybitá, prístroj sa automaticky VYPNE po 30 sekundách.**

### 12.3 Nastavenie hlasitosti reproduktora

Prístroj má 8 stupňov úrovne hlasitosti (0 až 7)



- Ak chcete zvýšiť hlasitosť reproduktora, v pohotovostnom režime stlačte tlačidlo . Zobrazí sa úroveň hlasitosti.
- Ak chcete znížiť hlasitosť reproduktora, stlačte tlačidlo .
- Po 5 sekundách sa prístroj vráti do pokojového stavu.

### 12.4 Prijem signálu

Keď je prístroj zapnutý a nevysiela, je stále v režime prijímania.



**Ak si niekto želá prijímať vaše vysielanie, musí mať naladený ten istý kanál a nastavený ten istý podkanál (kapitoly 12.6 a 12.7).**

### 12.5 Prenos signálu



- Ak chcete vyselať, stlačte a podržte tlačidlo **PTT** . Zobrazí sa symbol TX.
- Prístroj držíte vo zvislej polohe s mikrofónom vo vzdialenosti 10 cm od úst a hovorte do mikrofónu .
- Ak chcete vysielanie ukončiť, uvoľnite tlačidlo **PTT** .

### 12.6 Zmena kanálov



- Ak chcete prepnúť na vyšší alebo nižší kanál, použite tlačidlo **CH** .
- Potvrďte stlačením tlačidla **PTT** .

### 12.7 Podkanály: CTCSS (Continuous Tone Coded Squelch System) / DCS (Digital Coded Squelch)

Vysielачky bez licencie, ktoré pracujú na frekvenčnom pásme 446 MHz, majú k dispozícii 8 rádiových kanálov. Ak je vo vašej blízkosti veľa používateľov vysielaciek, je možné, že niektorí z týchto používateľov využívajú ten istý rádiový kanál. Aby ste nepřijímali signály od iných používateľov, prístroj umožňuje využívať podkanály. Dve vysielачky budú môcť spolu komunikovať iba vtedy, ak sú naladené na rovnaký rádiový kanál a ak majú nastavený presne ten istý podkanál.

- Existujú dva druhy podkanálov:
- CTCSS (Continuous Tone Coded Squelch System)
  - DCS (Digital Coded Squelch)

Ak používate CTCSS, spolu s hlasovým signálom sa bude vyselať nízko-frekvenčný tón (v pásme 67 až 250 Hz). Na výber je 38 tónov. Môžete si vybrať jeden z nižšie uvedených 38 dostupných tónov. Z dôvodu filtrovania tieto tóny väčšinou nie sú počuteľné, takže nebudú rušiť komunikáciu.

DCS je podobný ako CTCSS, ale namiesto posielania súvislého tónu vybranej frekvencie sa do rádiového signálu pridáva prenos digitálnych dát. Tento digitálny kód sa vysiela skutočne nízkou rýchlosťou, približne 134 bitov za sekundu (kód má dĺžku 23 bitov). Systém DCS podporujú iba vysielачky najnovšej generácie. K dispozícii je 83 kódov DCS, ktoré je možné použiť. Keďže staršie modely podporujú iba systém CTCSS, je lepšie používať systém DCS, aby počas rozhovoru cez vysielачku nebolo počuť ostatných používateľov.

### 12.7.1 Zmena podkanálov



- Stlačíte tlačidlo **5**: Začne blikať aktuálny vybraný podkanál (alebo „oF“ (vyp.), ak nie je vybratý žiaden podkanál).
- Pomocou tlačidla **CH▲** **12** alebo **CH▼** **11** vyberte požadovaný podkanál:  
1..38: Kód CTCSS (1 až 38)  
39..121: Kód DCS (1 až 83)
- Potvrďte stlačením tlačidla **PTT** **14**.



V prílohe B sú uvedené všetky podrobné informácie o kódch podkanálov CTCSS a DCS.

### 12.8 Volanie



Ak stlačíte tlačidlo **10**, odošlete volací tón ostatným používateľom na rovnakom kanáli/podkanáli. Bude to znamenať, že si želáte začať konverzáciu.

- Stlačíte tlačidlo **10**.



Prístroj má 5 rôznych volacích tónov. Volací tón môžete vybrať v menu:

- Štyrikrát stlačíte tlačidlo **5**.
- Pomocou tlačidla **CH▲** **12** alebo **CH▼** **11** vyberte volací tón.
- Potvrďte stlačením tlačidla **PTT** **14**.

### 12.9 Monitorovanie

Na kontrolu slabších signálov v aktuálnom kanáli môžete použiť funkciu monitorovania.

- Na zapnutie monitorovania stlačíte tlačidlo **MON** **13**.
- Ak podržíte tlačidlo stlačené dlhšie ako 3 sekundy, vysielачka sa prepne do režimu nepretržitého monitorovania.
- Funkciu monitorovania deaktivujete opätovným stlačením tlačidla.

### 12.10 Vyhľadávanie kanálov

Pri vyhľadávaní kanálov sa hľadajú aktívne signály v nekonečnej slučke od kanála 1 do 8.

Po vyhľadani aktívneho kanála sa vyhľadávanie kanála zastaví a budete môcť počuť rozhovor.

Ak na vyhľadanom kanáli neprebíeha žiadna ďalšia aktivita, vyhľadávanie sa opäť zapne po dvoch sekundách.

Ak stlačíte tlačidlo **PTT** **15** na vyhľadanom kanáli, funkcia vyhľadávania sa vypne a vysielачka zostane na príslušnom kanáli.



- Stlačíte tlačidlo **5** dvakrát.
- Pomocou tlačidla **CH▲** **12** alebo **CH▼** **11** vyberte Y na vyhľadávanie.
- Potvrďte stlačením tlačidla **5**: Spustí sa vyhľadávanie.
- Vyhľadávanie sa zastaví, ak stlačíte tlačidlo **PTT** **14**.

### 12.11 VOX

Ak je pripojená náhlavná (bez tlačidla **PTT**) súprava, môžete použiť funkciu na aktivovanie vysielania hlasom (VOX).

V tom prípade nemusíte stlačiť tlačidlo **PTT** na zapnutie vysielania. TwinTalker 5400 bude automaticky vysielat, keď začnete hovoriť do mikrofónu náhlavnej súpravy.



- Stlačíte tlačidlo **5** trikrát.
- Pomocou tlačidla **CH▲** **12** alebo **CH▼** **11** nastavte citlivosť funkcie VOX, alebo nastavte oF (vyp.), ak si želáte funkciu vypnúť. (Prístroj umožňuje nastaviť 5 úrovní citlivosti funkcie VOX.)
- Úroveň 1: Najvyššia úroveň citlivosti pre tiché prostredie.
- ...
- Úroveň 5: Najnižšia úroveň citlivosti pre hlučné prostredie.
- Potvrďte stlačením tlačidla **PTT** **14**.

### 12.12 Zapnutie/vypnutie potvrdzujúceho pípnutia

Po uvoľnení tlačidla **PTT** **15** prístroj vyšle signál pípnutia na potvrdenie toho, že ste prestali hovoriť.



Funkcia na potvrdenie pípnutím sa dá vypnúť a zapnúť.

- Stlačíte tlačidlo **5** päťkrát.
- Pomocou tlačidla **CH▲** **12** alebo **CH▼** **11** zapnite (Y) alebo vypnite (n) potvrdzujúce pípnutie.
- Potvrďte stlačením tlačidla **PTT** **14**.

### 12.13 Zapnutie/vypnutie pípnutia tlačidiel

Pri stlačení akéhokoľvek tlačidla zaznie tón.



Tón tlačidiel sa dá vypnúť a zapnúť.

- Stlačíte tlačidlo **5** šesťkrát.
- Pomocou tlačidla **CH▲** **12** alebo **CH▼** **11** zapnite (Y) alebo vypnite (n) tón tlačidiel.
- Potvrďte stlačením tlačidla **PTT** **14**.

### 12.14 Zamknutie tlačidiel



- Stlačením a podržaním tlačidla **10** tri sekundy zapnete alebo vypnete funkciu na zamknutie tlačidiel.



Keď je zamknutie zapnuté, tlačidlo **14**, tlačidlá ovládania hlasitosti, tlačidlo monitorovania (MON) a tlačidlo volania **10** sú stále aktívne. Všetky ostatné tlačidlá sú zamknuté.

## 13 Záruka

### 13.1 Záručná lehota

Na prístroje sa vzťahuje 24-mesačná záručná lehota. Záručná lehota začína plynúť dňom zakúpenia nového prístroja. Na štandardné a nabíjateľné batérie nie je poskytovaná žiadna záruka.

Záruka sa nevzťahuje na spotrebný materiál či chyby, ktoré majú zanedbateľný vplyv na prevádzku alebo hodnotu prístroja.

Pri uplatnení záruky je potrebné predložiť originál alebo kópiu dokladu o kúpe, na ktorom je vyznačený dátum kúpy a model prístroja.

### 13.2 Výnimky zo záruky

Záruka sa nevzťahuje na poškodenia či chyby spôsobené nesprávnym zaobchádzaním alebo používaním a poškodenia, ktoré vzniknú v dôsledku použitia neoriginálnych dielov alebo príslušenstva.

Záruka sa nevzťahuje na poškodenie spôsobené vonkajšími faktormi, ako sú napr. blesk, voda či oheň, ani na poškodenia vzniknuté pri preprave. Záruku si nemožno uplatniť, ak bolo výrobné číslo na prístroji zmenené, odstránené alebo je nečitateľné. Nárok na uplatnenie záruky nebude uznaný, ak kupujúci prístroj opravoval, pozmenil alebo upravil.

Tento výrobok spĺňa základné podmienky a ďalšie súvisiace ustanovenia smernice R&TTE 1999/5/ES.

Vyhlasenie o zhode sa nachádza na adrese:  
<http://www.topcom.net/support/cedclarations.php>







## Annex A

### Operation frequencies

Channel Number	RX Frequency (MHz)	TX Frequency (MHz)
1	446.00625	446.00625
2	446.01875	446.01875
3	446.03125	446.03125
4	446.04375	446.04375
5	446.05625	446.05625
6	446.06875	446.06875
7	446.08125	446.08125
8	446.09375	446.09375

## Annex B


### Sub - channel codes

CTCSS Code Chart							
Code	Freq (Hz)	Code	Freq (Hz)	Code	Freq (Hz)	Code	Freq (Hz)
1	67	11	97.4	21	136.5	31	192.8
2	71.9	12	100	22	141.3	32	203.5
3	74.4	13	103.5	23	146.2	33	210.7
4	77	14	107.2	24	151.4	34	218.1
5	79.7	15	110.9	25	156.7	35	225.7
6	82.5	16	114.8	26	162.2	36	233.6
7	85.4	17	118.8	27	167.9	37	241.8
8	88.5	18	123	28	173.8	38	250.3
9	91.5	19	127.3	29	179.9		
10	94.8	20	131.8	30	186.2		

DCS Code Chart							
Code	DCS Code	Code	DCS Code	Code	DCS Code	Code	DCS Code
39	023	60	143	81	315	102	532
40	025	61	152	82	331	103	546
41	026	62	155	83	343	104	565
42	031	63	156	84	346	105	606
43	032	64	162	85	351	106	612
44	043	65	165	86	364	107	624
45	047	66	172	87	365	108	627
46	051	67	174	88	371	109	631
47	054	68	205	89	411	110	632
48	065	69	223	90	412	111	654
49	071	70	226	91	413	112	662
50	072	71	243	92	423	113	664
51	073	72	244	93	431	114	703
52	074	73	245	94	432	115	712
53	114	74	251	95	445	116	723
54	115	75	261	96	464	117	731
55	116	76	263	97	465	118	732
56	125	77	265	98	466	119	734
57	131	78	271	99	503	120	743
58	132	79	306	100	506	121	754
59	134	80	311	101	516		

## Annex C

### Technical specifications

Frequency range :	446.00625 ... 446.09375 MHz
Channel spacing :	12.5 KHz
Radio Channels :	8
121 Sub-channels :	38 CTCSS / 83 DCS
Maximum RF output power :	0.5 W
Modulation :	FM – F3E
Antenna type :	Fixed
Battery type :	4.8V (Ni-MH pack)
Power adapter :	9V  210mA
IP-standard :	IPX7 (submersible)

This product is in compliance with the essential requirements and other relevant provisions of the R & TTE directive 1999/5/EC.

The Declaration of conformity can be found on :  
<http://www.topcom.net/support/cedclarations.php>

TOPCOM®

Visit our website  
**[www.topcom.net](http://www.topcom.net)**