

[www.blackanddecker.eu](http://www.blackanddecker.eu)

**CUA525BH**  
**CUA525BHP**  
**CUA525BHA**

EN

DE

FR

IT

NL

ES

PT

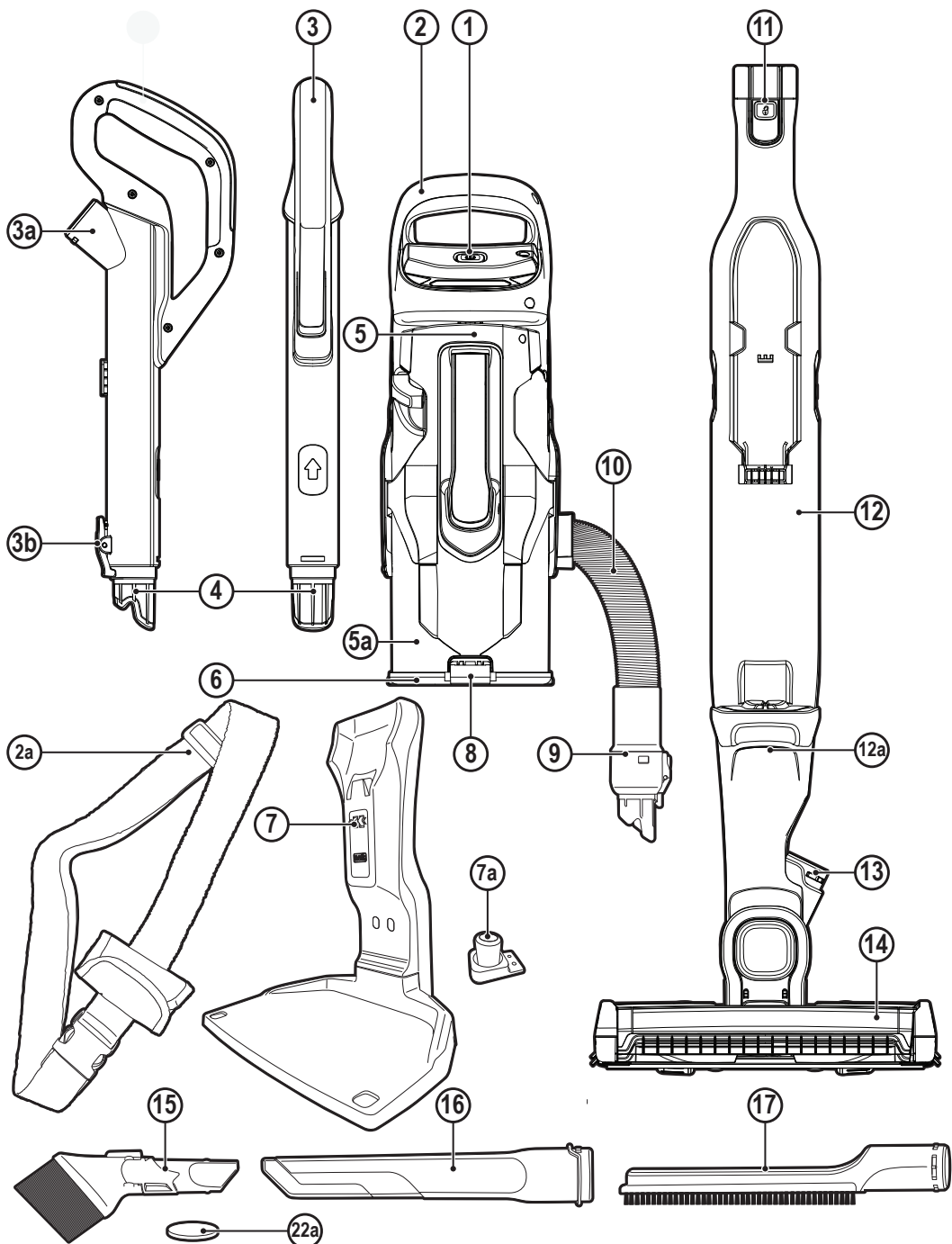
SV

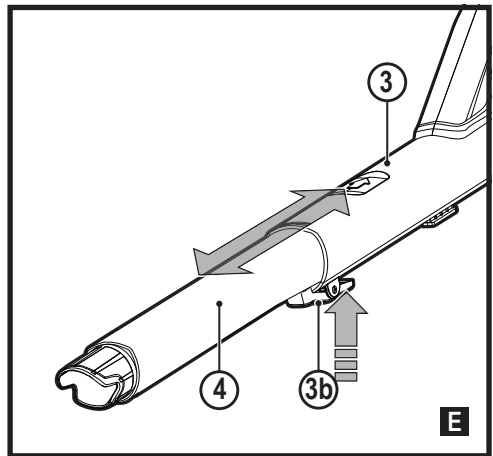
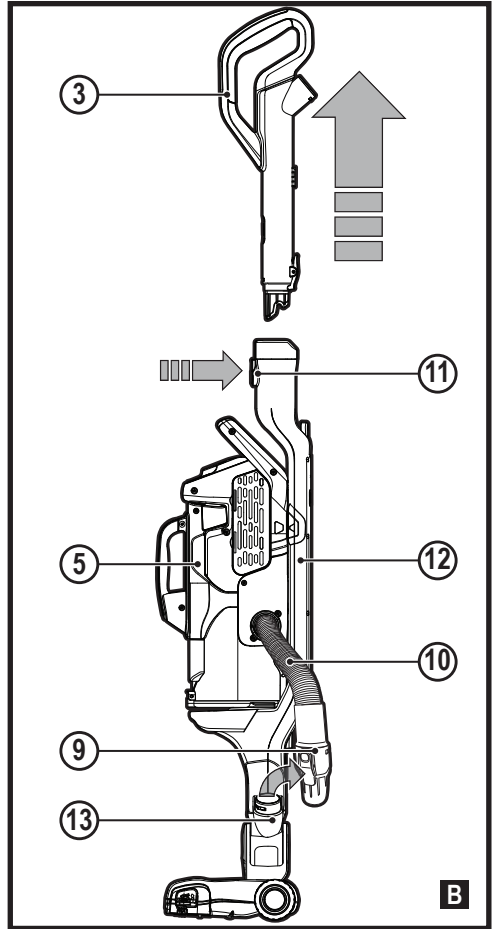
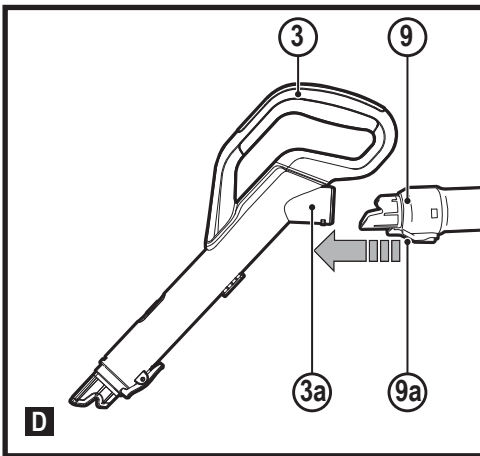
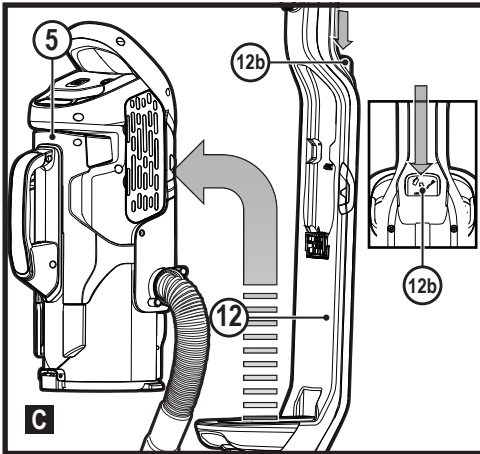
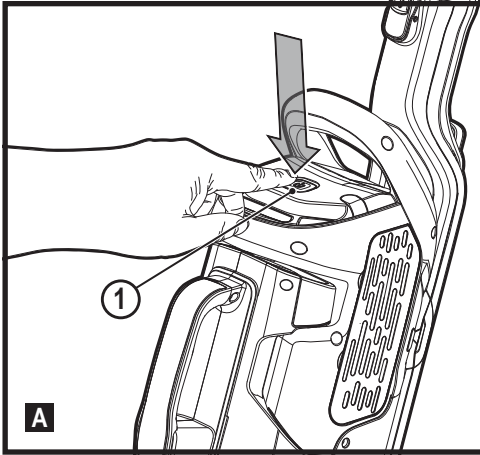
NO

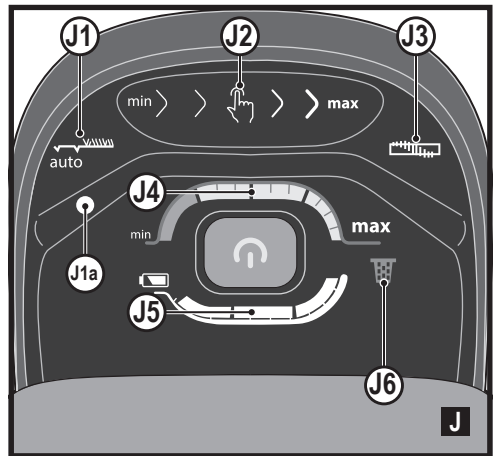
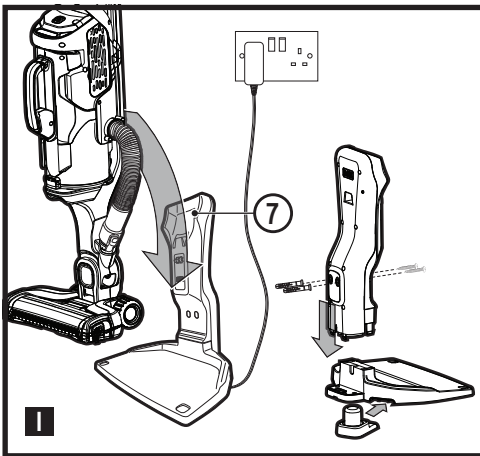
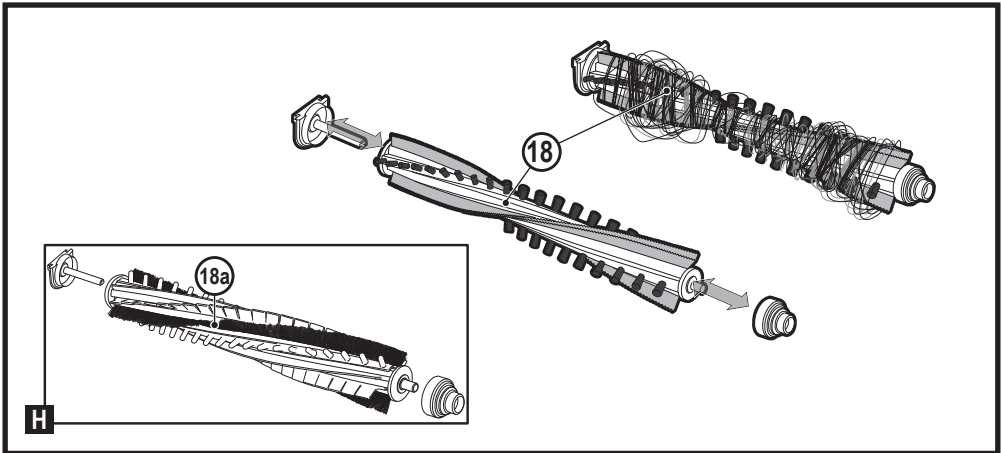
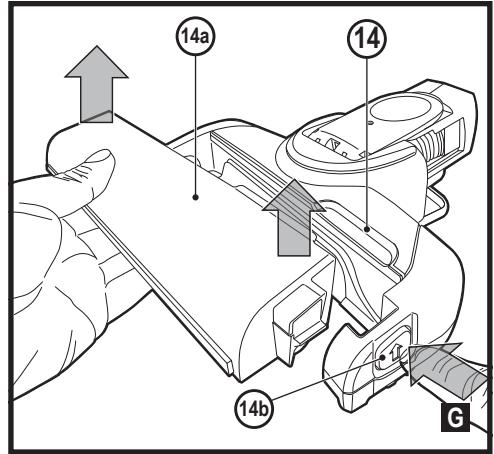
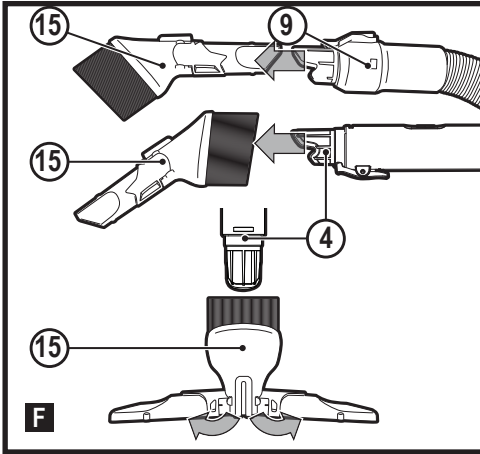
DK

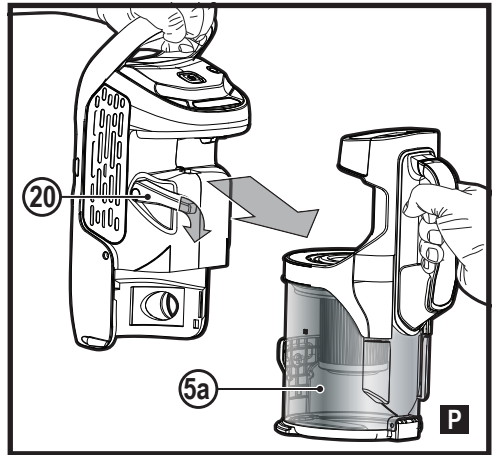
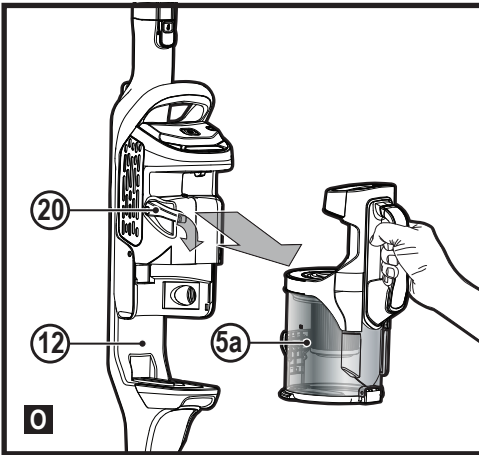
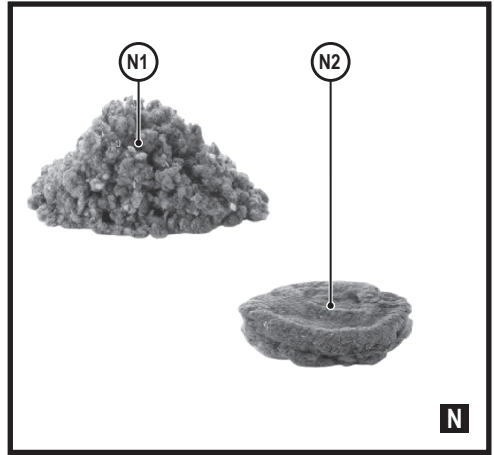
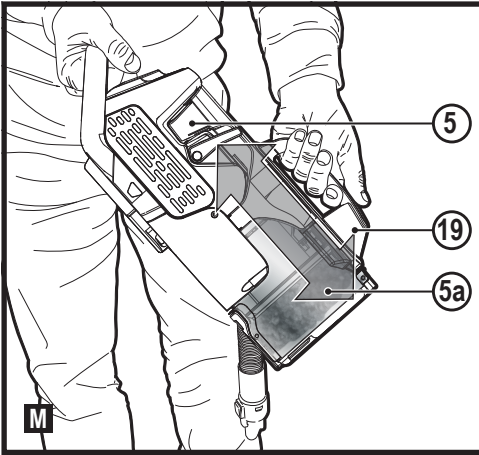
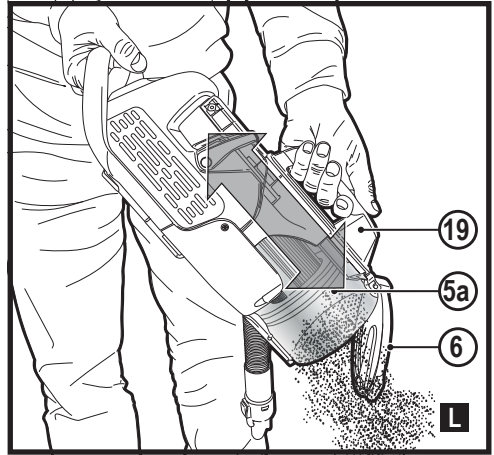
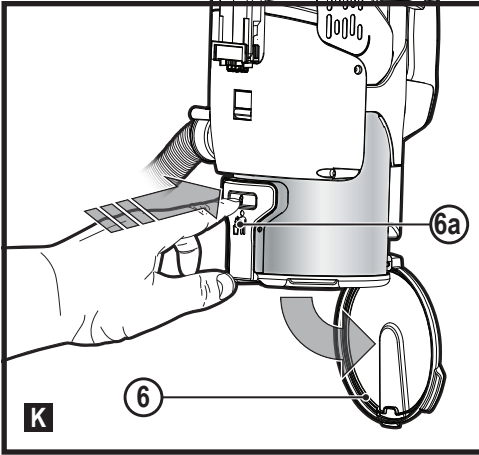
FI

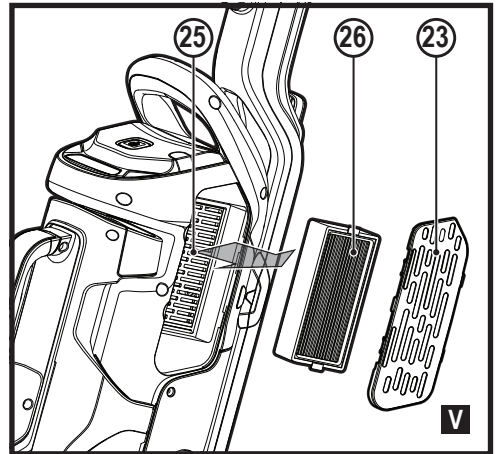
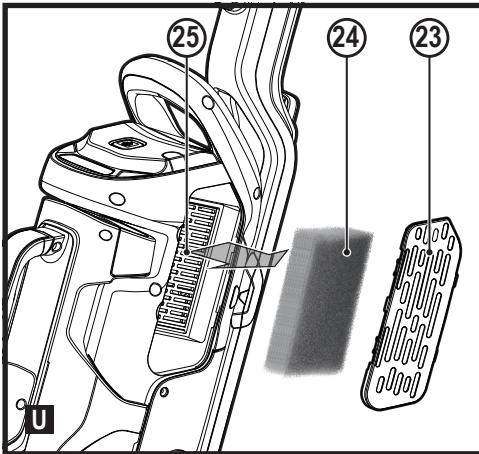
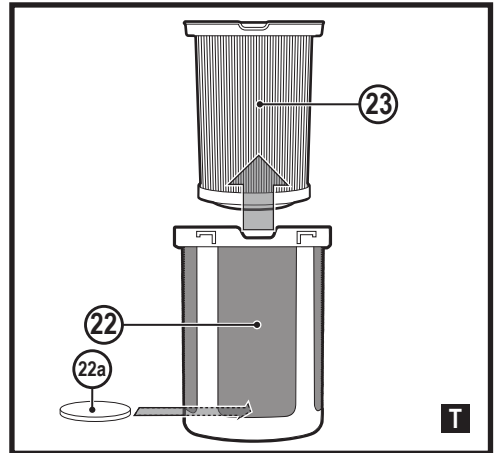
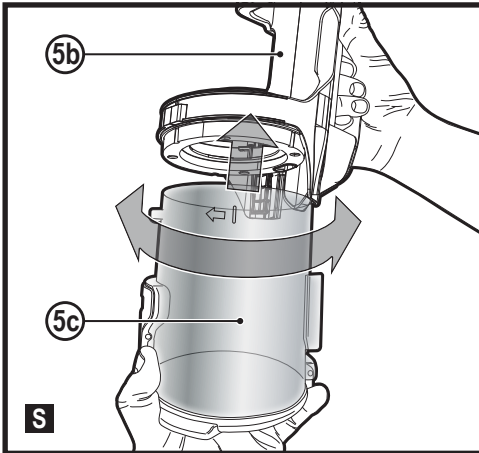
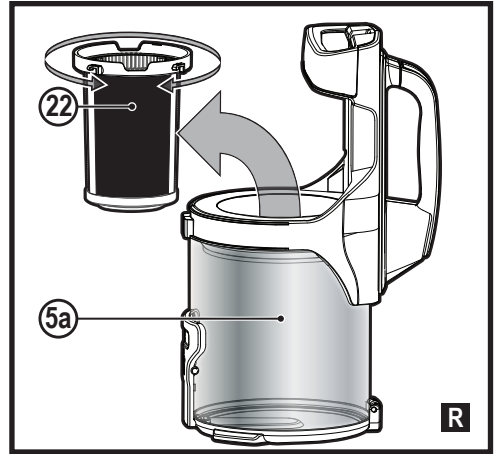
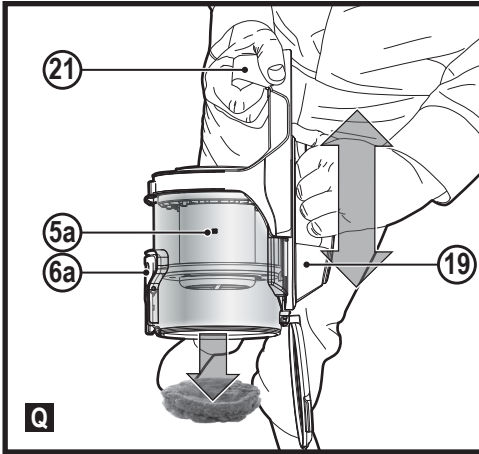
EL

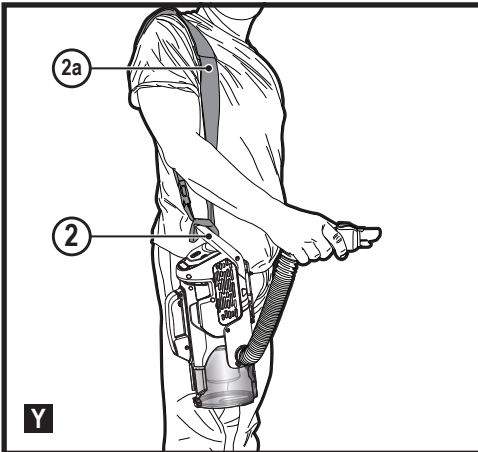
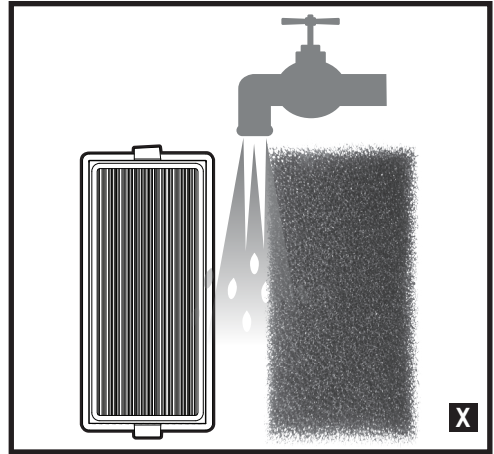
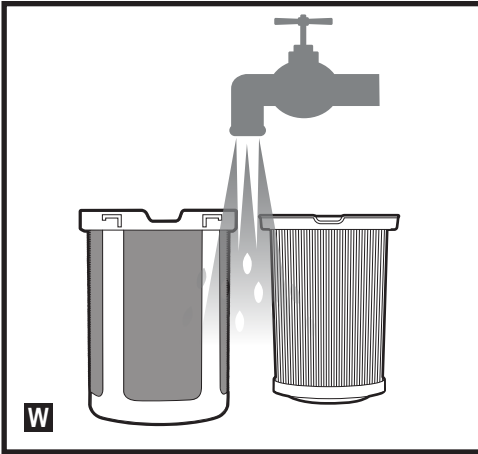












Failure to follow the warnings and instructions listed below may result in electric shock, fire and/or serious injury.

- ◆ The intended use is described in this manual. The use of any accessory or attachment or the performance of any operation with this appliance other than those recommended in this instruction manual may present a risk of personal injury.
- ◆ Retain this manual for future reference.

### Intended use

Your BLACK+DECKER CUA525BH, CUA525BHP and CUA525BHA multi power vacuum cleaners have been designed for vacuum cleaning purposes. These appliance are intended for household use only.



Read all of this manual carefully before operating the appliance.

### Safety instructions



**Warning!** Read all safety warnings and all instructions.

### Using your appliance

- ◆ Do not use the appliance to pick up liquids or any materials that could catch fire.
- ◆ Do not use the appliance near water.
- ◆ Do not immerse the appliance in water.
- ◆ Never pull the charger lead to disconnect the charger from the socket. Keep the charger lead away from heat, oil and sharp edges.

- ◆ This appliance can be used by children aged from 8 years and above and persons with reduced physical, sensory or mental capabilities or lack of experience and knowledge if they have been given supervision or instruction concerning use of the appliance in a safe way and understand the hazards involved. Children shall not play with the appliance. Cleaning and user maintenance shall not be made by children without supervision.

## Inspection and repairs

Before use, check the appliance for damaged or defective parts. Check for breakage of parts, damage to switches and any other conditions that may affect its operation.

- ◆ Do not use the appliance if any part is damaged or defective.
- ◆ Have any damaged or defective parts repaired or replaced by an authorized repair agent.
- ◆ Regularly check the charger lead for damage. Replace the charger if the lead is damaged or defective.
- ◆ Never attempt to remove or replace any parts other than those specified in this manual.

## Additional safety instructions

### After use

- ◆ Unplug the charger before cleaning the charger or charging base.

- ◆ When not in use, the appliance should be stored, fully charged, in a dry place.
- ◆ Children should not have access to stored appliances.

## Residual risks

Additional residual risks may arise when using the tool which may not be included in the enclosed safety warnings. These risks can arise from misuse, prolonged use etc.

Even with the application of the relevant safety regulations and the implementation of safety devices, certain residual risks can not be avoided.

These include:

- ◆ Injuries caused by touching any rotating/moving parts.
- ◆ Injuries caused when changing any parts, blades or accessories.
- ◆ Injuries caused by prolonged use of a tool. When using any tool for prolonged periods ensure you take regular breaks.
- ◆ Impairment of hearing.
- ◆ Health hazards caused by breathing dust developed when using your tool (example:- working with wood, especially oak, beech and MDF.)

## Chargers

Your charger has been designed for a specific voltage. Always check that the mains voltage corresponds to the voltage on the rating plate.

**Warning!** Never attempt to replace the charger unit with a regular mains plug.



- ◆ Use your BLACK+DECKER charger only to charge the battery in the appliance with which it was supplied. Other batteries could burst, causing personal injury and damage.
- ◆ Never attempt to charge non-rechargeable batteries.
- ◆ If the supply cord is damaged, it must be replaced by the manufacturer or an authorised BLACK+DECKER Service Centre in order to avoid a hazard.
- ◆ Do not expose the charger to water.
- ◆ Do not open the charger.
- ◆ Do not probe the charger.
- ◆ The appliance/battery must be placed in a well ventilated area when charging.

3. Handle / wand
- 3a. Flexible tube port
- 3b. Tube extension latch
4. Extendable crevice tool
5. Hand held vac
- 5a. Dust bowl
6. Dust bowl lid
7. Charging base
- 7a. Accessory holder
8. Dust bowl lid hinge
9. Hose connector
10. Flexible hose
11. Handle / wand release button
12. Chassis
- 22a. Light
13. Chassis hose port
14. Floor head
15. 3-in-1 Accessory tool
16. Pet crevice tool (CUA525BHP only)
17. Long brush tool (CUA525BHA only)
- 22a. Scent disc (CUA525BHP only)

## Use

### Switching on and off (Fig. A)

- ◆ To switch on, press the on/off switch (1).
- ◆ Unit starts in mid performance setting. Performance can be adjusted using power control slider (J2) Left = min Right = max (as seen when in use from above).
- ◆ To switch off, press the on/off switch (1).

**Note:** Use the unit in high speed mode with beater bar switched on for carpet. Use the unit in low speed mode with beater bar switched off for hard wood and laminate flooring.

**Note:** The unit has an intuitive 'standby' mode that allows it to remember the last settings applied for a few minutes upon starting up.

**Note:** If leaving the appliance when in use, position the upright unit, in such a way that any inadvertent fall would contact a wall or corner and otherwise be away from people and pets.


### Control panel (Fig. J)


The unit is equipped with a smart**tech** control panel providing Intelligent sensor technology for a more intuitive cleaning experience.


The features incorporated are:

## Electrical safety

### Symbols on the charger


 Read all of this manual carefully before using the appliance.


 This tool is double insulated; therefore no earth wire is required. Always check that the power supply corresponds to the voltage on the rating plate.

 The charging base is intended for indoor use only.

### Labels on appliance

The following symbols appear on this appliance along with the date code

 Read all of this manual carefully before using the appliance

 Only use with charger S010Q 23 / SSC-230040XX

## Features

This tool includes some or all of the following features.

1. On/off power switch
2. Handle
- 2a. Carrying strap



**J1 FLOORSENSOR Touch Button**

Intelligent floor sensor technology increases suction on carpets and switches to Economy Mode for lighter tasks, such as hard floor cleaning, thus optimising the battery run time this feature is active when the LED (J1a) is lit. In order to maximise runtime on all surfaces, switch this feature off by touching area (J1).



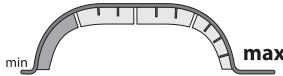
**J2 Power control Touch Slider**

Touch button panel allows you to control the level of power to the unit from minimum to maximum by sliding finger along this area.



**J3 Beater bar Touch Button**

Allows you to turn the beater bar function on and off.



**J4 Power indicator**

Allows you to monitor the level of power being used.



**J5 BATTERYSENSOR Indicator**

The LED battery indicator displays the remaining charge and warns you when the battery is low. The final LED will flash continuously when there is only 1 minute of runtime remaining. All LEDs will flash when the unit is discharged.



**J6 FILTERSENSOR**

Smart sensor technology automatically detects (the symbol will light red) when the filter becomes clogged and needs to be cleaned.

- ◆ Extend the crevice tool (4) as shown in figure E, until it clicks in place.
- ◆ To retract the crevice tool (4) press the tube extension latch (3b) allowing it to return to its normal position.

**Using the 3-in-1 accessory tool (Fig. F)**

- ◆ The 3-in-1 handle / wand (15) has three configurations.
  1. Brush mode.
  2. Small crevice mode.
  3. Upholstery mode.
- ◆ The 3-in-1 handle / wand can be fitted either directly to the hose connector 9 or to the extendable crevice tool (4) as shown in figure F.

**Removing and clearing the beater bars (Fig. G, H)**

- ◆ To remove the beater bar cassette (14a) from the floor head (14) Depress the release button (14b) as shown in figure G.
- ◆ The beater bar (18) can now be removed. The end pieces are also removable allowing you to clear the brushes from any hair or other debris that may have accumulated as shown in figure H.

**Note:** If an object gets caught in the beater bar it automatically stops. Turn the unit off, remove object and continue.

**Note:** The CUA525BHP unit is supplied with a specialised pet beater bar (18a) for cleaning pet hairs etc.

**Charging (Fig. I)**

- ◆ Place the appliance into the charging base (7) as shown in figure I.
- ◆ Plug the charging base (7) into an electrical outlet.
- ◆ Switch the electrical outlet on. The LED charging indicator will flash and increase in sections. LEDs go out when fully charged.
- ◆ The appliance must be charged for 6 hours.

**Note:** The Charging base is supplied with 2 screws and wall plugs for securing it to a wall, providing extra stability, as shown in figure I.

**Battery Sensor LED Patterns**

	Battery Fault (All LEDs)
	Charger Fault (All LEDs)
	Battery Hot (All LEDs)

**Battery diagnostics**

If the appliance detects a weak battery, the charging indicator will flash at a fast rate when the power button is activated.

Proceed as follows:

- ◆ Plug in the charger. Switch on at the mains.
- ◆ Leave the appliance to charge.

**Note:** The FILTERSENSOR LED will flash and the unit will automatically shut down when there is any obstruction in the flexible hose or filters which is causing the motor to overheat. Disconnect and remove the blockage immediately.

**Using the handle / wand (Fig. B, C, D, E)**

- ◆ Press the handle / wand release button (11) to free the handle / wand (3) from the chassis (12).
- ◆ Free the hose connector (9) from the chassis hose port (13) as shown in figure B.
- ◆ Press the chassis release button (12b) to release the hand held vac (5) from the chassis (12) as shown in figure C.
- ◆ Connect the hose connector (9) to the flexible tube port (3a) ensuring that the latch (9a) clicks securely into place as shown in figure D.

If the appliance detects a damaged battery, the charging indicator will flash at a fast rate when the appliance is on charge. Proceed as follows:

- ◆ Take the appliance and the charger to be tested at an authorised services centre.

**Note:** It may take as long as 60 minutes to determine that the battery is defective. If the battery is too hot or too cold, the LED will alternately blink, fast and slow, one flash at each speed and repeat.

### Emptying the dust bowl (Fig. K, L, N)

- ◆ Holding the unit over a suitable waste receptacle, press the dust bowl release button (6a) to release the dust bowl lid (6) as shown in figure K.
- ◆ Push the compacting handle (19) down to empty the contents of the dust bowl (5a) as shown in figure L.

### Compacting the contents of the dust bowl (Fig. M, N)

- ◆ With the dust bowl lid (6) closed, push the compacting handle down to compact the contents of the dustbowl (5a) to maximise dust collection as shown in figure N.

**N1 = Before compacting. N2 = After compacting.**

### Releasing the dust bowl (Fig. O, P)

**Note:** The dust bowl can be released either from the unit while it is in chassis mode, as shown in figure O, or when being used in the lift away canister vac mode, as shown in figure P.

- ◆ Press the dust bowl release lever (20) down to release the dust bowl.
- ◆ Free the dust bowl (5a) from the lift away canister vac (5).
- ◆ Using the dust bowl handle (21) and holding the unit over a suitable waste receptacle, press the dust bowl release button (6a) to release the dust bowl lid (6) and push the compacting handle (19) down to empty the contents of the dust bowl (5a) as shown in figure Q.

### Cleaning the dust bowl filters (Fig. R,S,T)

- ◆ Press the dust bowl release lever (20) down to release the dust bowl as shown in figure O.
- ◆ Lift the filter assembly (22) from the dust bowl (5a) by rotating anti clockwise as shown in figure R.

**Note:** The CUA525BHP unit pre filter is supplied with a scented disc in a foil wrapper (22a) which can be attached allowing for a pleasing odour to be released when the appliance is in use.

- ◆ The filter (23) can now be lifted out of the pre filter (22) as shown in figure T.
- ◆ The dust bowl can be separated into two parts, (5b) and (5c), for a more thorough cleaning as shown in figure S.
- ◆ Rinse out the dust-bowl with warm soapy water.
- ◆ Wash the filters with warm soapy water (Fig. W, X).

- ◆ Make sure the filters are dry
- ◆ Refit the filters into the appliance and ensure that they are correctly seated.
- ◆ Close the dust-bowl (5a). Reconnect to the lift away canister vac making sure the release latch (20) clicks into place.

### Cleaning the hand held vac exhaust filters (Fig. U, V)

- ◆ Lift off the filter access panel (23), Exposing the filter chamber (25).
- ◆ The filter (24) can now be removed for cleaning.

**Note:** The CUA525BHA unit is equipped with a HEPA filter (26) to aid in protection from allergies.

- ◆ Both types of filters can be cleaned with warm soapy water (Fig. W, X).

### Carrying strap (Fig. Y)

A carrying strap (2a) is supplied to allow easier utilisation of the hand held vac. This is easily connected to the handle (2) via a velcro fastener as shown in figure Y.

### Maintenance

**Warning!** Before performing any maintenance or cleaning on the appliance, unplug the appliance.

From time to time wipe the appliance with a damp cloth.

Do not use any abrasive or solvent-based cleaner. Do not immerse the appliance in water.

Your BLACK+DECKER cordless appliance has been designed to operate over a long period of time with a minimum of maintenance. Continuous satisfactory operation depends upon proper tool care and regular cleaning.

**Warning!** Before performing any maintenance on cordless appliances:

- ◆ Unplug the charger before cleaning it. Your charger does not require any maintenance apart from regular cleaning.
- ◆ Regularly clean the ventilation slots in your appliance/charger using a soft brush or dry cloth.
- ◆ Regularly clean the motor housing using a damp cloth. Do not use any abrasive or solvent-based cleaner.

### Replacing the filters

The filters should be replaced every 6 to 9 months and whenever worn or damaged. Replacement filters are available from your BLACK+DECKER dealer.

<b>CUABF10</b> - Standard Filter Kit	Pleated Filter + Foam Exhaust
<b>CUAHF10</b> - HEPA Kit	HEPA Pleated Filter + HEPA Exhaust

**Warning for scented discs.****Cotton linen fragrance.**

Wash face, hands and any exposed skin thoroughly after handling. Wear protective gloves/protective clothing/eye protection/face protection. If in eyes: Rinse cautiously with water for several minutes. Remove contact lenses if present and easy to do.

Continue rinsing. If skin irritation occurs: Get medical advice/attention. Avoid release into the environment. Do not ingest.

- ◆ Remove the old filters as described above.
- ◆ Fit the new filters as described above.

**Protecting the environment**

Separate collection. Products and batteries marked with this symbol must not be disposed of with normal household waste.

Products and batteries contain materials that can be recovered or recycled reducing the demand for raw materials. Please recycle electrical products and batteries according to local provisions. Further information is available at [www.2helpU.com](http://www.2helpU.com)

**Technical Data**

		CUA525BH	CUA525BHP	CUA525BHA
<b>Voltage</b>	V	18	18	18
<b>Watt hours</b>	Wh	45	45	45
<b>Weight</b>	Kg	3.85	3.85	3.85

**Garantie**

Black & Decker is confident of the quality of its products and offers consumers a 24 month guarantee from the date of purchase. This guarantee is in addition to and in no way prejudices your statutory rights. The guarantee is valid within the territories of the Member States of the European Union and the European Free Trade Area.

To claim on the guarantee, the claim must be in accordance with Black & Decker Terms and Conditions and you will need to submit proof of purchase to the seller or an authorised repair agent. Terms and conditions of the Black & Decker 2 year guarantee and the location of your nearest authorised repair agent can be obtained on the Internet at [www.2helpU.com](http://www.2helpU.com), or by contacting your local Black & Decker office at the address indicated in this manual.

Please visit our website [www.blackanddecker.co.uk](http://www.blackanddecker.co.uk) to register your new Black & Decker product and receive updates on new products and special offers.

**Verwendungszweck**

Ihre BLACK+DECKER Multipower-Staubsauger CUA525BH, CUA525BHP und CUA525BHA wurden zum Aufsaugen von Schmutz entwickelt. Diese Geräte sind nicht für den gewerblichen Einsatz vorgesehen.



Lesen Sie diese Anleitung vollständig und aufmerksam durch, bevor Sie das Gerät verwenden.

**Sicherheitshinweise**

**Warnung!** Lesen Sie alle Sicherheitswarnhinweise und alle Anweisungen. Die Nichteinhaltung der folgenden Warnungen und Anweisungen kann einen elektrischen Schlag, Brand und/oder schwere Verletzungen verursachen.

- ◆ Der vorgesehene Verwendungszweck ist in dieser Anleitung beschrieben. Bei Verwendung von Zubehör oder Anbauteilen, die nicht in dieser Anleitung empfohlen werden, sowie bei der Verwendung des Geräts in Abweichung von den in dieser Anleitung beschriebenen Verfahren besteht Verletzungsgefahr.
- ◆ Bewahren Sie diese Anleitung auf.

**Verwendung des Geräts**

- ◆ Benutzen Sie das Gerät nicht zum Aufsaugen entzündlicher Flüssigkeiten oder Materialien.
- ◆ Betreiben Sie das Gerät nicht in der Nähe von Wasser.
- ◆ Tauchen Sie das Gerät nicht in Wasser.
- ◆ Ziehen Sie das Ladegerät nicht am Kabel aus der Netzsteckdose.

Achten Sie darauf, dass das Kabel des Ladegeräts nicht in Kontakt mit starker Hitze, Öl oder scharfen Gegenständen kommt.

- ◆ Dieses Gerät darf von Kindern ab 8 Jahren und Personen mit eingeschränkten körperlichen, sensorischen oder geistigen Fähigkeiten sowie mangelnder Erfahrung und Wissen in Bezug auf dessen Gebrauch bedient werden, wenn sie bei der Verwendung des Geräts beaufsichtigt oder angeleitet werden und die möglichen Gefahren verstehen. Kinder dürfen nicht mit dem Gerät spielen. Reinigung und Wartungsarbeiten dürfen von Kindern nur unter Aufsicht durchgeführt werden.

## Inspektion und Reparaturen

Prüfen Sie das Gerät vor der Verwendung auf beschädigte oder defekte Teile. Prüfen Sie, ob Teile gebrochen sind, Schalter beschädigt sind oder andere Bedingungen vorliegen, welche die Funktion beeinträchtigen könnten.

- ◆ Betreiben Sie das Gerät nicht, wenn ein Teil beschädigt oder defekt ist.
- ◆ Lassen Sie beschädigte oder defekte Teile in einer Vertragswerkstatt reparieren oder austauschen.
- ◆ Überprüfen Sie das Ladegerätkabel in regelmäßigen Abständen auf Beschädigungen. Tauschen Sie das Ladegerät aus, wenn das Kabel beschädigt oder defekt ist.

- ◆ Ersetzen oder entfernen Sie keine Teile, für die in dieser Anleitung keine entsprechende Beschreibung enthalten ist.

## Zusätzliche Sicherheitshinweise

### Nach dem Gebrauch

- ◆ Ziehen Sie das Ladegerät aus der Netzsteckdose, bevor Sie das Ladegerät oder die Ladestation reinigen.
- ◆ Bewahren Sie das Gerät bei Nichtgebrauch an einem trockenen Ort auf.
- ◆ Kinder sollten keinen Zugang zu aufbewahrten Geräten haben.

### Restrisiken

Beim Gebrauch dieses Geräts verbleiben zusätzliche Restrisiken, die möglicherweise nicht in den Sicherheitswarnungen genannt werden. Diese Risiken bestehen beispielsweise bei Missbrauch oder längerem Gebrauch.

Auch bei der Einhaltung der entsprechenden Sicherheitsvorschriften und der Verwendung aller Sicherheitsgeräte bestehen weiterhin bestimmte Restrisiken.

Diese sind:

- ◆ Verletzungen, die durch das Berühren von sich drehenden/bewegenden Teilen verursacht werden.
- ◆ Verletzungen, die durch das Austauschen von Teilen, Messern oder Zubehör verursacht werden.

- ◆ Verletzungen, die durch längeren Gebrauch eines Geräts verursacht werden. Legen Sie bei längerem Gebrauch regelmäßige Pausen ein.
- ◆ Beeinträchtigung des Gehörs.
- ◆ Gesundheitsrisiken durch das Einatmen von Staub beim Verwenden des Geräts (beispielsweise bei Holzarbeiten, insbesondere Eiche, Buche und MDF.)

## Ladegeräte

Das Ladegerät ist für eine bestimmte Spannung ausgelegt. Stellen Sie sicher, dass die Netzspannung der auf dem Typenschild des Geräts angegebenen Spannung entspricht.

**Warnung!** Ersetzen Sie das Ladegerät keinesfalls durch ein normales Netzkabel.

- ◆ Verwenden Sie das BLACK+DECKER Ladegerät nur für den Akku des Geräts, mit dem es geliefert wurde. Andere Akkus können platzen und Sachschäden oder Verletzungen verursachen.
- ◆ Versuchen Sie keinesfalls, nicht aufladbare Batterien zu laden.
- ◆ Bei einer Beschädigung des Netzkabels muss dieses durch den Hersteller oder eine BLACK+DECKER Vertragswerkstatt ausgetauscht werden, um mögliche Gefahren zu vermeiden.
- ◆ Achten Sie darauf, dass das Ladegerät nicht mit Wasser in Berührung kommt.
- ◆ Versuchen Sie nicht, das Ladegerät zu öffnen.

- ◆ Nehmen Sie am Ladegerät keine Veränderungen vor.
- ◆ Beim Laden des Geräts/Akkus muss auf ausreichende Belüftung geachtet werden.

## Elektrische Sicherheit

### Symbole auf dem Ladegerät



Lesen Sie diese Anleitung vollständig und aufmerksam durch, bevor Sie das Gerät verwenden.



Dieses Gerät ist schutzisoliert, daher ist keine Erdleitung erforderlich. Überprüfen Sie immer, dass die Stromversorgung der Spannung auf dem Typenschild entspricht.



Die Ladestation darf nicht im Freien verwendet werden.

### Warnsymbole am Gerät

Am Gerät befinden sich folgende Warnsymbole inkl. Datum- und -code:



Lesen Sie diese Anleitung vollständig und aufmerksam durch, bevor Sie das Gerät verwenden



Nur mit Ladegerät S010Q.23 / SSC-230040XX verwenden

### Merkmale

Dieses Gerät verfügt über einige oder alle der folgenden Merkmale:

1. Ein-/Ausschalter
2. Griff
- 2a. Trageriemen
3. Griff / Stab
- 3a. Schlauchanschluss
- 3b. Schlauchverlängerungshebel
4. Ausziehbare Fugendüse
5. Handstaubsauger
- 5a. Staubbehälter
6. Staubbehälterdeckel
7. Ladestation
- 7a. Zubehörbehälter
8. Staubbehälterdeckelscharnier
9. Saugschlauchanschluss
10. Flexibler Schlauch
11. Griff-/Stab-Entriegelungstaste

12. Gehäuse
- 12a. Licht
13. Schlauchanschluss am Gehäuse
14. Parkettdüse
15. 3-in-1-Zubehör
16. Fugendüse für Tierhaare (nur CUA525BHP)
17. Lange Bürste (nur CUA525BHA)
- 22a. Duftscheibe (nur CUA525BHP)

## Verwendung

### Ein- und Ausschalten (Abb. A)

- ◆ Drücken Sie zum Einschalten den Ein-/Ausschalter (1).
- ◆ Das Gerät startet mit der mittleren Leistungseinstellung. Die Leistung kann mit dem Schieberegler für die Leistungsregelung eingestellt werden (J2) Links = Min, Rechts = Max (wie bei der Verwendung von oben zu sehen).
- ◆ Drücken Sie zum Ausschalten den Ein-/Ausschalter (1).

**Hinweis:** Verwenden Sie das Gerät auf Teppich im Hochgeschwindigkeitsmodus mit aktivierter Schlagleiste. Verwenden Sie das Gerät auf Hartholz- und Laminatböden im Niedriggeschwindigkeitsmodus mit deaktivierter Schlagleiste.



**Hinweis:** Das Gerät verfügt über einen intuitiven "Stand-by"-Modus, der die letzten Einstellungen speichert, die dann nach dem Start für einige Minuten verwendet werden.


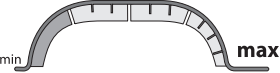


**Hinweis:** Wenn Sie das laufende Gerät abstellen, stellen Sie es aufrecht so hin, dass es, falls es umfallen sollte, gegen eine Wand oder Ecke fällt und keine Personen oder Haustiere gefährden kann.

### Bedienfeld (Abb. J)

Das Gerät ist mit einem smarttech-Bedienfeld ausgestattet, das durch intelligente Sensoren ein intuitiveres Reinigungsergebnis bietet.

Folgende Funktionen sind enthalten:

	
J1	<b>BODENSSENSOR-Taste</b> Eine intelligente Fußbodensensortechnologie erhöht die Saugwirkung auf Teppichen und wechselt in den Economy-Modus, wenn leichtere Aufgaben wie das Reinigen von Hartböden anstehen; dieses Merkmal optimiert die Akkulaufzeit und wird durch das Leuchten der LED (J1a) angezeigt. Um die Laufzeit für allen Arten von Flächen zu maximieren, schalten Sie diese Funktion durch Berühren des Bereichs (J1) aus.
min > >  > > max	
J2	<b>Leistungsregler</b> Mit diesem Regler lässt sich die Leistung des Geräts vom Minimum zum Maximum ändern, indem der Finger über diesen Bereich geschoben wird.

	
J3	<b>Schlagleisten-Taste</b> Hiermit können Sie die Schlagleistenfunktion ein- und ausschalten.
min  max	
J4	<b>Leistungsanzeige</b> Hiermit wird der Stromverbrauch überwacht.
	
J5	<b>AKKU-SENSOR-Anzeige</b> Die LED-Akkuanzeige zeigt die Restladung an und warnt Sie, wenn der Akku fast leer ist. Die letzte LED blinkt kontinuierlich, wenn nur noch 1 Minute Laufzeit verbleibt. Alle LEDs blinken, wenn das Gerät vollständig entladen ist.
	
J6	<b>FILTER-SENSOR</b> Die intelligente Sensortechnologie erkennt automatisch, wenn der Filter verstopft und gereinigt werden muss (das Symbol leuchtet dann rot).

**Hinweis:** Die **FILTER-SENSOR-LED** beginnt zu blinken und das Gerät schaltet sich automatisch ab, wenn Schlauch oder Filter durch einen Fremdkörper verstopft sind, da sich sonst der Motor überhitzen kann. Trennen Sie das Gerät von der Stromzufuhr und entfernen Sie den Fremdkörper sofort.

### Verwendung des Griffs/Stabs (Abb. B, C, D, E)

- ◆ Drücken Sie die Griff-/Stab-Entriegelungstaste (11), um den Griff/Stab (3) vom Gehäuse (12) zu lösen.
- ◆ Lösen Sie den Saugschlauchanschluss (9) wie in Abbildung B gezeigt vom Schlauchanschluss am Gehäuse (13).
- ◆ Drücken Sie die Gehäuse-Entriegelungstaste (12b), um den Handstaubsauger (5) wie in Abbildung C gezeigt vom Gehäuse (12) zu lösen.
- ◆ Verbinden Sie den Saugschlauchanschluss (9) mit dem Schlauchanschluss (3a) und stellen Sie sicher, dass die Lasche (9a) sicher einrastet, wie in Abbildung D gezeigt.
- ◆ Ziehen Sie die Fugendüse (4) wie in Abbildung E dargestellt heraus, bis sie einrastet.
- ◆ Um die Fugendüse (4) wieder hereinzuschieben, drücken Sie auf den Schlauchverlängerungshebel (3b), so dass sie in ihre normale Position zurückkehren kann.

### Verwendung des 3-in-1-Zubehörs (Abb. F)

- ◆ Der 3-in-1-Griff/Stab (15) bietet drei Konfigurationsmöglichkeiten.
  1. Verwendung als Bürste.
  2. Verwendung als kleine Fugendüse.
  3. Verwendung als Polsterdüse.

- ◆ Der 3-in-1-Griff/Stab kann wie in Abbildung F dargestellt entweder direkt am Saugschlauchanschluss (9) oder an der ausziehbaren Fugendüse (4) angebracht werden.

### Entfernen und Säubern der Schlagleisten (Abb. G, H)

- ◆ Zum Entfernen der Schlagleistenkassette (14a) von der Parkettdüse (14) drücken Sie die Entriegelungstaste (14b) wie in Abbildung G gezeigt.
- ◆ Die Schlagleiste (18) kann nun herausgenommen werden. Die Endstücke sind ebenfalls abnehmbar, so dass Sie sämtliche Haare oder andere Fremdkörper von der Bürste entfernen können, die sich angesammelt haben, siehe Abbildung H.

**Hinweis:** Wenn ein Gegenstand in die Schlagleiste gerät, hält diese automatisch an. Schalten Sie dann das Gerät aus, entfernen Sie den Gegenstand und fahren Sie fort.

**Hinweis:** Das Modell CUA525BHP ist mit einer speziellen Schlagleiste für Tierhaare (18a) ausgestattet, um Haare von Haustieren usw. zu beseitigen.

### Aufladen (Abb. I)

- ◆ Setzen Sie das Gerät wie in Abbildung I gezeigt in die Ladestation (7) ein.
- ◆ Stecken Sie die Ladestation (7) in eine Steckdose.
- ◆ Schalten Sie die Steckdose ein. Die LED-Ladeanzeige beginnt zu blinken, und mit zunehmender Ladung leuchten mehr Abschnitte.  
Die LEDs erlöschen, wenn das Gerät vollständig aufgeladen ist.
- ◆ Das Gerät muss für 6 Stunden geladen werden.

**Hinweis:** Die Ladestation wird mit 2 Schrauben und Dübeln geliefert, um sie an einer Wand zu befestigen, damit sie zusätzliche Stabilität bietet; siehe Abbildung I.

Leuchtmuster der Akkusensor-LEDs	
	Akkufehler (alle LEDs)
	Ladegerätfehler (alle LEDs)
	Akku zu heiß (alle LEDs)

### Diagnose des Akkus

Wenn das Gerät einen schwachen Akku feststellt, blinkt die Ladeanzeige beim Betätigen des Ein-/Ausschalters in schneller Folge auf. Gehen Sie folgendermaßen vor:

- ◆ Schließen Sie das Ladegerät an eine Netzsteckdose an. Schalten Sie ggf. die Stromversorgung ein.
- ◆ Warten Sie, bis das Gerät aufgeladen ist.

Wenn das Gerät einen Defekt am Akku feststellt, blinkt die Ladeanzeige in schneller Folge, während das Gerät aufgeladen wird. Gehen Sie folgendermaßen vor:

- ◆ Lassen Sie das Gerät und die Ladestation von einer autorisierten Vertragswerkstatt überprüfen.

**Hinweis:** Es kann bis zu 60 Minuten dauern, bis sich herausstellt, ob der Akku tatsächlich defekt ist. Falls der Akku zu warm oder zu kalt sein sollte, blinkt die LED-Anzeige abwechselnd langsam und schnell. Die Anzeige blinkt hierbei jeweils einmal langsam, einmal schnell.

### Leeren des Staubbehälters (Abb. K, L, N)

- ◆ Halten Sie das Gerät über einen geeigneten Abfallbehälter und drücken Sie die Entriegelungstaste des Staubbehälters (6a), um den Staubbehälterdeckel (6) zu lösen, siehe Abbildung K.
- ◆ Schieben Sie den Verdichtungsgriff (19) nach unten, um den Staubbehälter (5a) zu entleeren, siehe Abbildung L.

### Verdichten des Staubbehälterinhalts (Abb. M, N)

- ◆ Wenn der Staubbehälterdeckel (6) geschlossen ist, drücken Sie den Verdichtungsgriff nach unten, um den Inhalt des Staubbehälters zu komprimieren (5a). Dadurch maximiert sich das Fassungsvermögen für die Staubsammlung, siehe Abbildung N.

**N1 = Vor dem Verdichten. N2 = Nach dem Verdichten.**

### Lösen des Staubbehälters (Abb. O, P)

**Hinweis:** Die Staubbehälter kann entweder vom Gerät gelöst werden, wenn es mit dem Gehäuse verwendet wird, siehe Abbildung O, oder wenn es mit dem abnehmbaren Behälter verwendet wird, siehe Abbildung P.

- ◆ Drücken Sie die Entriegelungstaste des Staubbehälters (20), um den Staubbehälter freizugeben.
- ◆ Nehmen Sie den Staubbehälter (5a) vom abnehmbaren Behälter (5) ab.
- ◆ Halten Sie das Gerät am Staubbehältergriff (21) über einen geeigneten Abfallbehälter und drücken Sie die Entriegelungstaste des Staubbehälters (6a), um den Staubbehälterdeckel (6) zu lösen; drücken Sie dann den Verdichtungsgriff (19) nach unten, um den Staubbehälter (5a) zu entleeren, siehe Abbildung Q.

### Reinigen der Filter des Staubbehälters (Abb. R, S, T)

- ◆ Drücken Sie die Entriegelungstaste des Staubbehälters (20), um den Staubbehälter freizugeben, siehe Abbildung O.
- ◆ Heben Sie die Filterbaugruppe (22) aus dem Staubbehälter (5a) an, indem Sie sie gegen den Uhrzeigersinn drehen, siehe Abbildung R.

**Hinweis:** Der Vorfilter des Modells CUA525BHP wird mit einer parfümierten Scheibe in einer Folienverpackung (22a) geliefert, die angebracht werden kann, um einen angenehmen Duft freizugeben, wenn das Gerät verwendet wird.

- ◆ Der Filter (23) kann nun aus dem Vorfilter (22) herausgehoben werden, siehe Abbildung T.



- ◆ Der Staubbehälter kann zur gründlicheren Reinigung in zwei Teile, (5b) und (5c), zerlegt werden, siehe Abbildung S.
- ◆ Spülen Sie den Staubbehälter mit warmem Seifenwasser aus.
- ◆ Spülen Sie die Filter mit warmer Seifenlauge aus (Abb. W, X).
- ◆ Achten Sie darauf, dass die Filter trocken sind.
- ◆ Setzen Sie die Filter wieder in das Gerät ein und achten Sie auf den korrekten Sitz.
- ◆ Schließen Sie den Staubbehälter (5a). Bringen Sie ihn wieder am abnehmbaren Behälter an und achten Sie darauf, dass die Freigabelasche (20) einrastet.

## Reinigen der Filter des Handstaubsaugers (Abb. U, V)

- ◆ Heben Sie die Filterabdeckklappe (23) ab, so dass die Filterkammer (25) freiliegt.
- ◆ Der Filter (24) kann nun zur Reinigung abgenommen werden.

**Hinweis:** Das Modell CUA525BHA ist mit einem HEPA-Filter (26) ausgestattet, der den Schutz vor Allergien unterstützt.

- ◆ Beide Filtertypen können mit warmer Seifenlauge gereinigt werden (Abb. W, X).

## Trageriemen (Abb. Y)

Ein Trageriemen (2a) wird mitgeliefert, um die Benutzung des Handstaubsaugers zu vereinfachen. Dieser wird wie in Abbildung Y gezeigt einfach über einen Klettverschluss mit dem Griff (2) verbunden.

## Wartung

**Warnung!** Ziehen Sie den Netzstecker des Geräts aus der Steckdose, bevor Sie mit Wartungs- oder Reinigungsarbeiten am Gerät beginnen.

Wischen Sie das Gerät gelegentlich mit einem feuchten Tuch ab. Verwenden Sie keine scheuernden Reinigungsmittel oder Reinigungsmittel auf Lösungsmittelbasis. Tauchen Sie das Gerät nicht in Wasser.

Ihr BLACK+DECKER-Gerät ohne Netzkabel wurde im Hinblick auf eine lange Lebensdauer und einen möglichst geringen Wartungsaufwand entwickelt. Ein kontinuierlicher, zufriedenstellender Betrieb hängt von der richtigen Pflege des Gerätes und seiner regelmäßigen Reinigung ab.

**Warnung!** Vor dem Ausführen jeglicher Wartungsarbeiten an Geräten ohne Netzkabel:

- ◆ Ziehen Sie das Ladegerät aus der Netzsteckdose, bevor Sie es reinigen. Das Ladegerät benötigt keine Wartung, es sollte jedoch regelmäßig gereinigt werden.
- ◆ Reinigen Sie regelmäßig die Lüftungsschlitze des Gerätes und des Ladegeräts mit einer weichen Bürste oder einem trockenen Tuch.

- ◆ Reinigen Sie das Motorgehäuse regelmäßig mit einem feuchten Tuch. Verwenden Sie keine scheuernden Reinigungsmittel oder Reinigungsmittel auf Lösungsmittelbasis.

## Ersetzen der Filter

Die Filter sollten alle 6 bis 9 Monate ersetzt werden, bei sichtbaren Verschleißspuren oder Beschädigungen auch früher. Ersatzfilter erhalten Sie im BLACK+DECKER Fachhandel.

CUABF10 - Standard-filter-Kit	Faltenfilter + Schaumstofffilter
CUAHF10 - HEPA-Kit	HEPA-Faltenfilter + HEPA-Filter

## Hinweis zu Duftscheiben.



### Baumwoll-Leinen-Duft.

Nach Kontakt Gesicht, Hände und alle exponierten Hautstellen gründlich abwaschen. Schutzhandschuhe/Schutzkleidung/Augenschutz/Gesichtsschutz tragen. Bei Augenkontakt:

Einige Minuten lang gründlich mit Wasser ausspülen. Kontaktlinsen entfernen, falls sie einfach herausgenommen werden können. Augen weiter ausspülen. Bei Hautreizung: Ärztlichen Rat/ärztliche Hilfe einholen. Freisetzung in die Umwelt vermeiden. Nicht verschlucken.

- ◆ Entfernen Sie die alten Filter wie oben beschrieben.
- ◆ Bringen Sie die neuen Filter wie oben beschrieben an.

## Umweltschutz



Getrennte Entsorgung. Produkte und Akkus mit diesem Symbol dürfen nicht mit dem normalen Hausmüll entsorgt werden.

Produkte und Akkus enthalten Materialien, die wiederverwertet werden können, um den Bedarf an Rohstoffen zu verringern. Bitte recyceln Sie elektrische Produkte und Akkus gemäß den örtlichen Bestimmungen. Weitere Informationen finden Sie auf [www.2helpU.com](http://www.2helpU.com)

## Technische Daten

		CUA525BH	CUA525BHP	CUA525BHA
Spannung	V	18	18	18
Wattstunden	Wh	45	45	45
Gewicht	kg	3,85	3,85	3,85

## Garantie

Black & Decker vertraut auf die Qualität der eigenen Geräte und bietet dem Käufer eine außergewöhnliche Garantie von 24 Monaten ab Kaufdatum. Diese Garantie versteht sich unbeschadet der gesetzlichen Gewährleistungsansprüche und schränkt diese keinesfalls ein. Diese Garantie gilt innerhalb der Staatsgebiete der Mitgliedstaaten der Europäischen Union und der Europäischen Freihandelszone.

Zur Inanspruchnahme dieser Garantie muss sie den allgemeinen Geschäftsbedingungen von Black & Decker entsprechen und dem Verkäufer bzw. der Vertragswerkstatt ist ein Kaufnachweis vorzulegen. Die Bedingungen für die 2-jährige Garantie von Black & Decker und den Standort Ihrer nächstgelegenen Vertragswerkstatt finden Sie im Internet unter [www.2helpU.com](http://www.2helpU.com) oder indem Sie sich an die lokale Black & Decker-Niederlassung wenden, deren Adresse Sie in dieser Anleitung finden.

Ihr neues Black & Decker Produkt können Sie auf unserer Website unter [www.blackanddecker.de](http://www.blackanddecker.de) registrieren. Dort erhalten Sie auch Informationen über neue Produkte und Sonderangebote.

### Utilisation prévue

Vos aspirateurs à puissance variable BLACK+DECKER CUA525BH, CUA525BHP et CUA525BHA ont été conçus pour le nettoyage par aspiration. Ces appareils sont exclusivement destinés à un usage domestique.



Avant d'utiliser l'appareil, lisez attentivement ce manuel dans son intégralité.

### Consignes de sécurité



**Avertissement !** Lisez tous les avertissements et toutes les instructions liés à la sécurité. Le non-respect des avertissements et des instructions listés ci-dessous peut entraîner des chocs électriques, des incendies et/ou de graves blessures.

- ◆ Ce manuel décrit la manière d'utiliser ces appareils. L'utilisation d'un accessoire ou d'un équipement ou l'utilisation de cet appareil à d'autres fins que celles recommandées dans ce manuel d'utilisation peut présenter un risque de blessures.

- ◆ Conservez ce manuel pour pouvoir vous y référer dans le futur.

### Utiliser votre appareil

- ◆ N'utilisez pas cet appareil pour aspirer des liquides ou des matières qui pourraient prendre feu.
- ◆ N'utilisez pas cet appareil près d'une source d'eau.
- ◆ Ne plongez pas l'appareil dans l'eau.
- ◆ Ne tirez jamais sur le fil du chargeur pour le débrancher. Maintenez le fil du chargeur éloigné de toute source de chaleur, de zones grasses et de bords tranchants.
- ◆ Cet appareil peut être utilisé par des enfants âgés de 8 ans ou plus et par des personnes aux capacités physiques, mentales ou sensorielles déficientes ou qui manquent d'expérience ou de connaissance s'ils sont supervisés ou ont été formés sur l'utilisation sûre de l'appareil et qu'ils sont conscients des dangers potentiels. Ne laissez pas les enfants jouer avec l'appareil. Le nettoyage et la maintenance à réaliser par l'utilisateur ne doivent pas être entrepris par des enfants sans surveillance.

### Vérification et réparations

Avant d'utiliser l'appareil, vérifiez qu'aucune de ses pièces n'est endommagée ou défectueuse. Contrôlez l'absence de pièces cassées, d'interrupteurs endommagés et de toutes autres anomalies susceptibles de nuire au bon fonctionnement de l'appareil.

- ◆ N'utilisez pas l'appareil si une quelconque pièce est endommagée ou défectueuse.
- ◆ Faites réparer ou remplacer les pièces défectueuses ou endommagées par un réparateur agréé.
- ◆ Vérifiez régulièrement l'état du fil du chargeur. Si le fil est endommagé ou défectueux, remplacez le chargeur.
- ◆ Ne tentez jamais de retirer ou de remplacer des pièces autres que celles citées dans ce manuel.

## Consignes de sécurité supplémentaires

### Après utilisation

- ◆ Débranchez le chargeur pour le nettoyer ou pour nettoyer la station de charge.
- ◆ Lorsque vous n'utilisez pas l'appareil, rangez-le, complètement rechargé, dans un endroit sec.
- ◆ Les enfants ne doivent pas avoir accès aux appareils rangés.

### Risques résiduels

Certains risques résiduels autres que ceux mentionnés dans les avertissements sur la sécurité peuvent survenir en utilisant l'outil. Ces risques peuvent être provoqués par une utilisation incorrecte, prolongée, etc. Malgré l'application des normes de sécurité pertinentes et la mise en œuvre de dispositifs de sécurité, certains risques résiduels ne peuvent pas être évités.

Ils comprennent :

- ◆ Les blessures provoquées par le contact avec des pièces rotatives/mobiles.
- ◆ Les blessures provoquées pendant le remplacement de pièces, de lames ou d'accessoires.
- ◆ Les blessures dues à l'utilisation prolongée d'un outil. Lorsque vous utilisez un outil quel qu'il soit pendant de longues périodes, assurez-vous de faire des pauses régulières.
- ◆ La diminution de l'acuité auditive.
- ◆ Les risques pour la santé provoqués par l'inhalation des poussières générées pendant l'utilisation de votre outil (exemple : travail avec du bois, surtout le chêne, le hêtre et les panneaux en MDF)

### Chargeurs

Votre chargeur a été conçu pour une tension spécifique. Vérifiez toujours que la tension du réseau électrique correspond à la tension figurant sur la plaque signalétique.

**Avertissement !** N'essayez jamais de remplacer le module de charge par une prise secteur ordinaire.

- ◆ N'utilisez votre chargeur BLACK+DECKER que pour recharger la batterie fournie avec l'appareil. D'autres batteries pourraient exploser et provoquer des blessures et des dommages.
- ◆ Ne tentez jamais de recharger des batteries non rechargeables.


- ◆ Si le câble d'alimentation est endommagé, il doit être remplacé par le fabricant ou par un centre de réparation agréé BLACK+DECKER afin d'éviter tout accident.
- ◆ N'exposez pas le chargeur à l'eau.
- ◆ N'ouvrez pas le chargeur.
- ◆ Ne sondez pas le chargeur.
- ◆ Pendant la charge, l'appareil/la batterie doivent être placés dans un endroit bien aéré.


7. Station de charge
- 7a. Porte-accessoires
8. Charnière du couvercle du bac à poussières
9. Raccord de tuyau
10. Tuyau flexible
11. Bouton de libération du manche / poignée
12. Châssis
- 12a. Éclairage
13. Raccord de tuyau du châssis
14. Brosse pour sols
15. Accessoire 3 en 1
16. Suceur plat spécial Animaux (CUA525BHP uniquement)
17. Brosse longue (CUA525BHA uniquement)
- 22a. Disque de fragrance (CUA525BHP uniquement)

## Sécurité électrique

### Symboles sur le chargeur


 Lisez attentivement l'intégralité de ce manuel avant d'utiliser l'appareil.


 Cet outil est doublement isolé et ne nécessite donc aucune liaison à la terre. Assurez-vous toujours que l'alimentation électrique correspond à la tension mentionnée sur la plaque signalétique.

 La station de charge ne peut être utilisée qu'à l'intérieur.

### Étiquettes apposées sur l'appareil

Les symboles suivants figurent sur l'appareil avec le code date

 Lisez attentivement l'intégralité de ce manuel avant d'utiliser l'appareil

 N'utilisez que le chargeur S010Q 23 / SSC-230040XX

### Caractéristiques

Cet outil dispose de tout ou partie des éléments suivants.

1. Interrupteur Marche/Arrêt
2. Manche
- 2a. Sangle de transport
3. Manche / poignée
- 3a. Raccord du flexible
- 3b. Attache pour le tube-rallonge
4. Suceur plat extensible
5. Aspirateur à main
- 5a. Bac à poussières
6. Couvercle du bac à poussières

## Utilisation

### Mettre en marche et éteindre (Fig. A)

- ◆ Pour mettre l'appareil en marche, appuyez sur l'interrupteur Marche/Arrêt (1).
- ◆ L'appareil démarre à sa puissance moyenne. La puissance peut être réglée à l'aide du curseur de contrôle de la puissance (J2). Gauche = mini, droite = maxi (vue du dessus).
- ◆ Pour éteindre l'appareil, appuyez sur l'interrupteur Marche/Arrêt (1).

**Remarque :** Utilisez l'appareil à pleine puissance avec la brosse batteuse activée sur les moquettes et tapis. Utilisez l'appareil à faible puissance avec la brosse batteuse désactivée sur les sols en bois dur et stratifiés.

**Remarque :** L'appareil dispose d'un mode "Veille" intuitif qui permet de mémoriser le dernier paramétrage pendant quelques minutes au démarrage.

**Remarque :** Si vous quittez l'appareil pendant son utilisation, placez-le à la verticale, de façon qu'il ne puisse pas heurter un mur ou un coin en cas de chute et qu'il soit loin des éventuelles personnes ou animaux présents.

### Panneau de commande (Fig. J)

L'appareil est équipé d'un panneau de commande **smartech** qui utilise une technologie de capteur intelligente qui permet un nettoyage plus intuitif.

Les éléments qui le composent sont :



#### J1 Bouton tactile CAPTEUR DE SOL

La technologie de détection du sol augmente l'aspiration sur les moquettes et tapis et active le mode Économie pour les tâches moins exigeantes, comme le nettoyage des sols durs et elle optimise ainsi l'autonomie de la batterie. Cette fonction est active lorsque le voyant (J1a) est allumé. Afin de maximiser l'autonomie sur toutes les surfaces, désactivez cette fonction en touchant la zone (J1).

<p><b>J2 Curseur tactile</b> de contrôle de puissance Le panneau tactile vous permet de contrôler le niveau de puissance de l'appareil du minimum au maximum en faisant glisser votre doigt sur cette zone.</p>
<p><b>J3 Bouton tactile</b> Brosse battante Vous permet d'activer ou de désactiver la fonction Brosse battante.</p>
<p><b>J4 Indicateur de puissance</b> Vous permet de surveiller le niveau de puissance utilisé.</p>
<p><b>J5 Indicateur CAPTEUR BATTERIE</b> Le témoin de la batterie affiche la charge restante et vous alerte quand le niveau de charge est faible. Le dernier voyant clignote en continu lorsqu'il ne reste plus qu'une minute de durée de fonctionnement restante. Tous les voyants clignotent lorsque l'appareil est déchargé.</p>
<p><b>J6 CAPTEUR FILTRE</b> La technologie Smart Sensor détecte automatiquement (le symbole s'allume rouge) lorsque le filtre est encrassé et qu'il doit être nettoyé.</p>

**Remarque :** Le voyant CAPTEUR FILTRE clignote et l'appareil s'éteint automatiquement si le tuyau flexible est obstrué ou si les filtres sont encrassés et que le moteur est en surchauffe. Débranchez l'appareil et retirez immédiatement ce qui fait obstruction.

### Utiliser le manche / poignée (Fig. B, C, D, E)

- ◆ Appuyez sur le bouton de libération du manche/poignée (11) pour dégager le manche/poignée (3) du châssis (12).
- ◆ Dégagez le raccord du tuyau (9) du raccord sur le châssis (13), comme illustré par la figure B.
- ◆ Appuyez sur le bouton de libération du châssis (12b) pour dégager l'aspirateur à main (5) du châssis (12), comme illustré par la figure C.
- ◆ Raccordez le raccord de tuyau (9) dans le raccord du tuyau flexible (3a) en vous assurant que l'attache (9a) s'enclenche bien en place, comme illustré par la figure D.
- ◆ Sortez le suceur plat (4) comme illustré par la figure E, jusqu'à ce qu'il se clipse en place.
- ◆ Pour rétracter le suceur plat (4), appuyez sur l'attache du tube-rallonge (3b) et laissez-le revenir à sa position d'origine.

### Utiliser l'accessoire 3 en 1 (Fig. F)

- ◆ Le manche/poignée 3 en 1 (15) a trois configurations possibles.
  1. Mode Brosse.
  2. Mode Petit suceur plat.
  3. Mode Tissu d'ameublement.
- ◆ Le manche/poignée 3 en 1 peut directement être installé soit sur le raccord de tuyau (9) soit sur le suceur plat extensible (4), comme illustré par la figure F.

### Retirer et nettoyer la brosse de battage (Fig. G, H)

- ◆ Pour retirer la cassette de la brosse de battage (14a) de la brosse pour sols (14), appuyez sur le bouton de libération (14b), comme illustré par la figure G.
- ◆ La brosse de battage (18) peut alors être retirée. Les pièces en extrémité peuvent également être retirées pour vous permettre d'enlever les cheveux, les poils et les autres saletés qui peuvent s'être accumulés, comme illustré par la figure H.

**Remarque :** Si des objets sont coincés dans la brosse de battage, cette dernière s'arrête automatiquement. Éteignez l'appareil, retirez ce qui coince avant de poursuivre.

**Remarque :** L'appareil CUA525BHP est livré avec une brosse Spécial Animaux (18a) pour aspirer les poils d'animaux, etc.

### Recharger (Fig. I)

- ◆ Placez l'appareil dans la station de charge (7), comme illustré par la figure I.
- ◆ Branchez la station de charge (7) dans une prise électrique.
- ◆ Alimentez la prise électrique. Le témoin de charge clignote et sa taille augmente par segment.
- ◆ Les voyants s'éteignent lorsque la charge est terminée.
- ◆ L'appareil doit être rechargé pendant 6 heures.

**Remarque :** La station de charge est livrée avec 2 vis et des caches pour la fixer au mur et apporter plus de stabilité, comme illustré par la figure I.

Capteur Batterie Motifs des voyants	
	Défaut Batterie (tous les voyants)
	Défaut Chargeur (tous les voyants)
	Batterie chaude (tous les voyants)

### Diagnostics de la batterie

Si l'appareil détecte que le niveau de charge de la batterie est faible, le témoin de charge clignote rapidement quand le bouton d'alimentation est enfoncé. Procédez comme suit :

- ◆ Branchez le chargeur. Branchez au secteur.
- ◆ Laissez l'appareil se recharger.

Si l'appareil détecte que la une batterie est endommagée, le témoin de charge clignote rapidement quand l'appareil est en cours de charge. Procédez comme suit :

- ◆ Apportez l'appareil et le chargeur pour qu'ils soient testés dans un centre de réparation agréé.

**Remarque :** La détection de la défaillance de la batterie peut prendre jusqu'à 60 minutes. Si la batterie est trop chaude ou trop froide, le voyant alterne un clignotement lent, puis un clignotement rapide et ainsi de suite.

### Vider le bac à poussières (Fig. K, L, N)

- ◆ En tenant l'appareil au-dessus d'une poubelle adaptée, appuyez sur le bouton de libération du bac à poussières (6a) pour ouvrir le couvercle du bac à poussières (6), comme illustré par la figure K.
- ◆ Poussez la poignée de compactage (19) vers le bas pour vider le contenu du bac à poussières (5a), comme illustré par la L.

### Compacter le contenu du bac à poussières (Fig. M, N)

- ◆ Couvercle du bac à poussières (6) fermé, poussez la poignée de compactage vers le bas pour compacter le contenu du bac à poussières (5a) et ainsi augmenter la capacité de ce dernier, comme illustré par la figure N.
- N1 = Avant compactage. N2 = Après compactage.**

### Retirer le bac à poussières (Fig. O, P)

**Remarque :** Le bac à poussières peut être retiré de l'appareil en mode Châssis, comme illustré par la figure O, ou lorsqu'il est utilisé en mode aspirateur à main, comme illustré par la figure P.

- ◆ Appuyez sur le levier de libération du bac à poussières (20) pour dégager le bac à poussières.
- ◆ Dégagez le bac à poussières (5a) de l'aspirateur à main (5).
- ◆ En utilisant la poignée du bac à poussières (21) et en tenant l'appareil au-dessus d'une poubelle adaptée, enfoncez le bouton de libération du bac à poussières (6a) pour libérer le couvercle du bac à poussières (6) et poussez la poignée de compactage (19) vers le bas pour vider le contenu du bac à poussières (5a), comme illustré par la figure Q.

### Nettoyer les filtres du bac à poussières (Fig. R, S, T)

- ◆ Enfoncez le levier de libération du bac à poussières (20) vers le bas pour dégager le bac à poussières, comme illustré par la figure O.
- ◆ Soulevez l'ensemble filtre (22) hors du bac à poussières (5a) en tournant dans le sens inverse des aiguilles d'une montre, comme illustré par la figure R.

**Remarque :** Le pré-filtre de l'appareil CUA525BHPest livré avec un disque de fragrance dans un emballage en aluminium (22a) qui peut être fixé pour permettre la diffusion d'un parfum agréable quand l'appareil est en marche.

- ◆ Le filtre (23) peut alors être soulevé hors du pré-filtre (22), comme illustré par la figure T.
- ◆ Le bac à poussières peut être séparé en deux parties, (5b) et (5c), comme illustré par la figure S, pour améliorer le nettoyage.
- ◆ Rincez le bac à poussières avec de l'eau chaude savonneuse.
- ◆ Lavez les filtres à l'eau chaude savonneuse (Fig. W, X).
- ◆ Assurez-vous que les filtres sont bien secs
- ◆ Réinstallez les filtres dans l'appareil en vous assurant qu'ils sont correctement en place.
- ◆ Fermez le bac à poussières (5a). Raccordez-le à l'aspirateur à main en vous assurant que l'attache de libération (20) se clipse bien en place.

### Nettoyer les filtres de l'aspirateur à main (Fig. U, V)

- ◆ Soulevez et retirez la trappe d'accès au filtre (23) pour mettre la chambre de filtration à nu (25).
- ◆ Le filtre (24) peut alors être retiré et nettoyé.

**Remarque :** L'appareil CUA525BHA est équipé d'un filtre HEPA (26) qui sert de protection contre les allergies.

- ◆ Les deux types de filtres peuvent être nettoyés à l'eau chaude savonneuse (Fig. W, X).

### Sangle de transport (Fig. Y)

Une sangle de transport (2a) est fournie pour faciliter l'utilisation de l'aspirateur à main. Elle peut être facilement fixée au manche (2) par le Velcro, comme illustré par la figure Y.

### Maintenance

**Avertissement !** Avant d'effectuer des réparations ou un nettoyage de l'appareil, débranchez-le.

De temps en temps, passez un chiffon humide sur l'appareil. N'utilisez pas de détergents abrasifs ou à base de solvants.

Ne plongez pas l'appareil dans l'eau.

Votre appareil BLACK+DECKER sans fil a été conçu pour fonctionner longtemps avec un minimum d'entretien. Le fonctionnement continu et satisfaisant de l'appareil dépend de son bon entretien et de son nettoyage régulier.

**Avertissement !** Avant toute intervention de maintenance sur les appareils sans fil :

- ◆ Débranchez le chargeur de la nettoyer. Votre chargeur ne nécessite aucun entretien particulier, à l'exception d'un nettoyage régulier.
- ◆ Nettoyez régulièrement les orifices de ventilation de votre appareil/chargeur à l'aide d'une brosse souple ou d'un chiffon sec.

- ◆ Nettoyez régulièrement le bloc-moteur à l'aide d'un chiffon humide. N'utilisez pas de détergents abrasifs ou à base de solvants.

### Remplacer les filtres

Les filtres doivent être remplacés tous les 6 à 9 mois et chaque fois qu'ils sont usés ou endommagés. Des filtres de rechange sont disponibles auprès de votre revendeur BLACK+DECKER.

CUABF10 - Kit filtre standard	Filtre plissé + sortie mousse
CUAHF10 - Kit HEPA	Filtre plissé HEPA + sortie HEPA

### Avvertissement lié aux disques de fragrance.



#### FrAGRANCE Coton Lin.

Lavez-vous le visage, les mains et toutes les parties exposées après manipulation. Portez des gants et des vêtements de protection, une protection oculaire et faciale. En cas de contact avec les yeux :

Rincez sous l'eau pendant plusieurs minutes. Retirez

le cas échéant vos lentilles de contact. Poursuivez le rinçage. En cas d'irritation de la peau : Consultez un médecin. Évitez le déversement dans l'environnement. Ne l'ingérez pas.

- ◆ Retirez les filtres usagés, comme décrit ci-dessus.
- ◆ Installez les filtres neufs, comme décrit ci-dessus.

### Protection de l'environnement



Tri sélectif. Les produits et batteries marqués de ce symbole ne doivent pas être jetés avec les déchets ménagers.

Les produits et batteries contiennent des matières qui peuvent être récupérées et recyclées afin de réduire la demande en matières premières.

Veillez à recycler les produits électriques et les piles et batteries conformément aux prescriptions locales en vigueur. Pour plus d'informations, consultez le site [www.2helpU.com](http://www.2helpU.com)

### Caractéristiques techniques

		CUA525BH	CUA525BHP	CUA525BHA
Tension	V	18	18	18
Wat- theures	Wh	45	45	45
Poids	Kg	3,85	3,85	3,85

### Garantie

Black & Decker est sûr de la qualité de ses produits et offre une garantie de 24 mois aux utilisateurs, à partir de la date d'achat. Cette garantie s'ajoute à vos droits légaux auxquels elle ne porte aucunement préjudice. Cette garantie est valable au sein des territoires des États membres de l'Union Européenne et au sein de la Zone européenne de libre-échange.

Pour prétendre à la garantie, la réclamation doit être conforme aux conditions générales de Black & Decker et vous devez fournir une preuve d'achat au vendeur ou au réparateur agréé. Les conditions générales de la garantie de 2 ans Black & Decker ainsi que l'adresse du réparateur agréé le plus proche sont disponibles sur le site Internet [www.2helpU.com](http://www.2helpU.com) ou en contactant votre agence Black & Decker locale à l'adresse indiquée dans ce manuel.

Veillez consulter notre site web [www.blackanddecker.co.uk](http://www.blackanddecker.co.uk) pour enregistrer votre nouveau produit Black & Decker et pour être tenu informé des nouveaux produits et des offres spéciales.

(Traduzione del testo originale)

### UsO previsto

Gli aspirapolvere a potenza variabile BLACK+DECKER CUA525BH, CUA525BHP e CUA525BHA sono stati progettati per scopi di pulizia tramite aspirazione. Questi apparecchi sono concepiti esclusivamente per uso domestico.



Leggere attentamente Questo manuale prima di usare l'apparecchio.

### Istruzioni di sicurezza



**Avvertenza!** Leggere attentamente tutte le avvertenze e le istruzioni. L'inosservanza delle avvertenze e istruzioni elencate di seguito potrebbe dar luogo a scossa elettrica, incendi e/o lesioni gravi alle persone.

- ◆ L'uso previsto è descritto in questo manuale. Se questo apparecchio viene utilizzato con accessori o per impieghi diversi da quelli raccomandati in questo manuale si potrebbero verificare lesioni alle persone.
- ◆ Conservare questo manuale per successiva consultazione.

## Utilizzo dell'apparecchio

- ◆ Non usare l'apparecchio per aspirare liquidi o materiali che potrebbero incendiarsi.
- ◆ Non usare l'apparecchio vicino all'acqua.
- ◆ Non immergere l'apparecchio in acqua.
- ◆ Non scollegare mai il caricabatteria dalla presa di corrente tirando il cavo di alimentazione. Tenere il cavo di alimentazione del caricabatterie lontano da fonti di calore, olio e bordi taglienti.
- ◆ Questo apparecchio può essere usato da bambini dagli 8 anni in su e da persone portatrici di handicap fisici, psichici o sensoriali o che non possiedano la dovuta esperienza o conoscenza, sempre che siano seguiti o opportunamente istruiti sull'uso sicuro e comprendano i pericoli inerenti. Non lasciare che i bambini giochino con l'apparecchio. Gli interventi di pulizia e manutenzione da parte dell'utilizzatore non devono essere eseguiti da bambini senza supervisione.

## Ispezione e riparazioni

Prima dell'uso, controllare che l'apparecchio non sia danneggiato e non presenti parti difettose. Controllare che non siano presenti parti rotte, interruttori danneggiati o altre condizioni che potrebbero incidere sul suo funzionamento.

- ◆ Non usare l'apparecchio se alcune parti sono danneggiate o difettose.
- ◆ Far riparare o sostituire le parti danneggiate o difettose da un tecnico autorizzato.
- ◆ Controllare a intervalli regolari che il cavo di alimentazione del caricabatterie non sia danneggiato. Sostituire il caricabatterie se il cavo è danneggiato o difettoso.
- ◆ Non tentare di smontare o sostituire alcuna parte, ad eccezione di quelle specificate in questo manuale.

## Istruzioni di sicurezza aggiuntive

### Dopo l'uso

- ◆ Prima di pulire il caricabatterie o la base di carica, scollegare il caricabatterie dalla presa di corrente.
- ◆ Quando non viene usato, l'apparecchio deve essere conservato completamente carico in un luogo asciutto.
- ◆ L'apparecchio non deve essere riposto alla portata dei bambini.

### Rischi residui

L'utilizzo dell'apparecchio può comportare rischi residui non necessariamente riportati nelle presenti avvertenze di sicurezza. Tali rischi possono sorgere a seguito di un uso prolungato o improprio, ecc. Malgrado il rispetto delle norme di sicurezza pertinenti e l'implementazione di dispositivi di sicurezza, alcuni rischi residui non possono essere evitati.



Sono inclusi:

- ◆ lesioni causate o subite a seguito del contatto con parti rotanti/in movimento;
- ◆ lesioni causate o subite durante la sostituzione di parti, lame o accessori
- ◆ lesioni causate dall'impiego prolungato di un apparecchio (quando si utilizza qualsiasi apparecchio per lunghi periodi, accertarsi di fare regolarmente delle pause);
- ◆ menomazioni uditive;
- ◆ rischi per la salute causati dall'aspirazione di polvere generata dall'utilizzo dell'apparecchio (ad esempio, quando si lavora con il legno, in modo particolare quello di quercia, faggio o l'MDF).

## Caricabatterie

Il caricabatterie è stato progettato per una tensione specifica. Controllare sempre che la tensione di rete corrisponda a quella indicata sulla targhetta dei valori nominali.

**Avvertenza!** Non tentare mai di sostituire il caricabatterie con una spina elettrica tradizionale.

- ◆ Usare il caricabatterie BLACK+DECKER solo per caricare la batteria dell'apparecchio con il quale è stato fornito. Batterie diverse potrebbero scoppiare, causando lesioni a persone e danni alle cose.
- ◆ Non tentare mai di caricare batterie non ricaricabili.

- ◆ In caso di danneggiamento del cavo di alimentazione, farlo riparare dal produttore o presso un Centro di assistenza BLACK+DECKER autorizzato, in modo da evitare pericoli.
- ◆ Non lasciare che il caricabatterie si bagni.
- ◆ Non aprire il caricabatterie.
- ◆ Non collegare il caricabatterie a sonde.
- ◆ L'apparecchio o la batteria devono essere lasciati in una zona ben ventilata durante la carica.

## Sicurezza elettrica

### Simboli sul caricabatterie



Leggere attentamente il presente manuale prima di usare l'apparecchio.



Il doppio isolamento di cui è provvisto l'apparecchio rende superfluo il filo di terra. Assicurarsi che la tensione della rete di alimentazione corrisponda al valore indicato sulla targhetta dei valori nominali.



La base di carica è destinata esclusivamente all'uso in ambienti interni.

### Etichette sull'apparecchio

Sull'apparecchio sono presenti i seguenti simboli assieme al codice data



Leggere attentamente questo manuale prima di usare l'apparecchio



Utilizzare esclusivamente con il caricabatterie S010Q 23 / SSC-230040XX

### Caratteristiche

Questo apparecchio presenta alcune o tutte le seguenti caratteristiche.

1. Interruttore di accensione/spengimento
2. Impugnatura
- 2a. Tracolla
3. Manico di prolunga
- 3a. Attacco del tubo flessibile
- 3b. Fermo del tubo di prolunga

4. Bocchetta a lancia estensibile
5. Aspirapolvere rimovibile
- 5a. Recipiente di raccolta polvere
6. Coperchio recipiente di raccolta polvere
7. Base di carica
- 7a. Vano accessori
8. Cerniera del coperchio recipiente di raccolta polvere
9. Connettore tubo flessibile
10. Tubo flessibile
11. Pulsante di rilascio del manico di prolunga
12. Telaio
- 12a. Luce
13. Attacco del tubo flessibile sul telaio
14. Spazzola per pavimenti
15. Accessorio multifunzione 3 in 1
16. Bocchetta a lancia per raccolta peli (solo nel modello CUA525BHP)
17. Spazzola lunga (solo nel modello CUA525BHA)
- 22a. Dischetto profumato (solo nel modello CUA525BHP)

## Utilizzo

### Accensione e spegnimento (Fig. A)

- ◆ Per accendere l'aspirapolvere, premere l'interruttore di accensione/spegnimento (1).
- ◆ All'avvio l'apparecchio è impostato alla potenza media. Le prestazioni dell'apparecchio possono essere regolate mediante il cursore di controllo potenza (J2). Verso sinistra = min Verso destra = max (visto dall'alto durante l'uso).
- ◆ Per spegnere l'aspirapolvere, premere l'interruttore di accensione/spegnimento (1).

**Nota:** per i tappeti utilizzare l'unità ad alta velocità con la barra battitappeto accesa. Per i pavimenti in legno duro e in laminato utilizzare l'unità a bassa velocità con la barra battitappeto spenta.




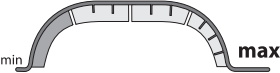


**Nota:** l'unità è dotata di una intuitiva modalità di "standby" che consente di ricordare per alcuni minuti le ultime impostazioni applicate quando viene avviato l'apparecchio.

**Nota:** se ci si deve allontanare dall'apparecchio mentre è in funzione, posizionare l'unità in verticale, in modo che, in caso di caduta accidentale, colpisca una parete o uno spigolo e, in ogni caso, cada lontano da persone e animali domestici.

### Pannello di controllo (Fig. J)

L'unità è provvista di un pannello di controllo smarttech dotato della tecnologia a sensori intelligenti, per un'esperienza di pulizia più intuitiva.

Le funzioni integrate sono:

	
<b>J1 Pulsante a sfioramento SENSORE PAVIMENTO</b>	La tecnologia a sensori intelligenti del pavimento aumenta la potenza di aspirazione sui tappeti e passa alla Modalità Economia per attività più leggere, come la pulizia di pavimenti duri, ottimizzando in tal modo la durata di funzionamento della batteria. Questa funzione è attiva quando il LED (J1a) è illuminato. Per massimizzare la durata di funzionamento su tutte le superfici, disattivare questa funzione toccando l'area (J1).
	
<b>J2 Cursore a sfioramento Controllo potenza</b>	Il pannello del pulsante a sfioramento consente di controllare la potenza dell'unità dal livello minimo al livello massimo, scorrendo con il dito lungo quest'area.
	
<b>J3 Pulsante a sfioramento Barra battitappeto</b>	Consente di accendere e spegnere la barra battitappeto.
	
<b>J4 Indicatore di potenza</b>	Consente di monitorare il livello di potenza utilizzata.
	
<b>J5 Indicatore del SENSORE BATTERIA</b>	L'indicatore a LED della batteria mostra la carica rimanente e avvisa se la batteria sta per scaricarsi. L'ultimo LED lampeggia in modo continuo se rimane la carica per 1 solo di funzionamento. Tutti i LED lampeggiano se l'unità è scarica.
	
<b>J6 SENSORE FILTRO</b>	La tecnologia a sensori intelligenti rileva automaticamente se il filtro si ostruisce e deve essere pulito (il simbolo si illumina di rosso).

**Nota:** Il LED del SENSORE FILTRO lampeggia e l'unità si spegne automaticamente in presenza di un'ostruzione del tubo flessibile o del filtro, che provoca il surriscaldamento del motore. Scollegare l'apparecchio dalla presa di corrente e rimuovere immediatamente l'ostruzione.

### Uso del manico di prolunga (Figg. B, C, D, E)

- ◆ Premere il pulsante di rilascio del manico di prolunga (11) per sganciare il manico di prolunga (3) dal telaio (12).
- ◆ Staccare il connettore del tubo flessibile (9) dall'attacco del tubo flessibile sul telaio (13), come illustrato nella Figura B.
- ◆ Premere il pulsante di rilascio dal telaio (12b) per sganciare l'aspirapolvere rimovibile (5) dal telaio (12), come illustrato nella Figura C.

- ◆ Collegare il connettore del tubo flessibile(9) all'attacco del tubo flessibile (3a) assicurandosi che il fermo (9a) scatti saldamente in posizione, come illustrato nella Figura D.
- ◆ Estendere la bocchetta a lancia (4), come mostrato nella Figura E, finché non scatta in posizione.
- ◆ Per ritrarre la bocchetta a lancia (4) premere il fermo della bocchetta a lancia (3b), consentendone il ritorno alla posizione normale.

### Utilizzo dell'accessorio multifunzione 3 in 1 (Fig. F)

- ◆ L'accessorio multifunzione 3-in-1 (15) presenta tre configurazioni.
  1. spazzola
  2. bocchetta a lancia piccola
  3. bocchetta per imbottiti
- ◆ L'accessorio 3 in 1 può essere collegato direttamente al connettore del tubo flessibile (9) oppure alla bocchetta a lancia estendibile (4), come illustrato nella Figura F.

### Rimozione e pulizia della barra battitappeto (Figg. G, H)

- ◆ Per rimuovere l'unità con la barra battitappeto (14a) dalla spazzola per pavimenti (14) premere il pulsante di rilascio (14b), come illustrato nella Figura G.
- ◆ A quel punto è possibile rimuovere la barra battitappeto (18).  
Anche le estremità sono rimovibili, consentendo di eliminare capelli o altri detriti che potrebbero essersi accumulati durante l'uso, come illustrato nella Figura H.

**Nota:** se un oggetto rimane impigliato nella barra battitappeto questa si blocca in automatico. Spegner l'unità, rimuovere l'oggetto e continuare.

**Nota:** il modello CUA525BHP viene fornito con una barra battitappeto specifica per raccogliere i peli degli animali domestici, ecc. (18a).

### Carica (Fig. I)

- ◆ Posizionare l'apparecchio sulla base di carica (7), come illustrato nella Figura I.
- ◆ Collegare la base di carica (7) a una presa elettrica.
- ◆ Attivare la corrente nella presa di alimentazione. L'indicatore a LED di carica in corso lampeggia e gradualmente aumentano le sezioni illuminate. Quando la carica è completa i LED si spengono.
- ◆ L'apparecchio deve rimanere in carica per 6 ore.

**Nota:** la base di carica viene fornita con 2 viti e presa da muro per fissarla a una parete e ottenere una stabilità supplementare, come illustrato nella Figura I.

Schemi di lampeggiamento dei LED del sensore batteria	
	Batteria guasta (tutti i LED)
	Caricabatterie guasto (tutti i LED)
	Batteria calda (tutti i LED)

### Diagnostica della batteria

Se l'apparecchio rileva che la batteria è quasi scarica, l'indicatore di carica inizia a lampeggiare rapidamente di rosso quando viene premuto il pulsante di accensione. Procedere nel modo seguente:

- ◆ Collegare il caricabatterie alla presa di corrente e attivare la corrente nella rete di alimentazione.
- ◆ Lasciare che l'apparecchio si carichi.

Quando è in carica, se l'apparecchio rileva che la batteria è danneggiata, l'indicatore di carica inizia a lampeggiare rapidamente. Procedere nel modo seguente:

- ◆ Portare l'apparecchio e il caricabatterie presso un centro di assistenza autorizzato per farli controllare.

**Nota:** per stabilire se la batteria è difettosa possono essere necessari anche 60 minuti. Se la batteria è troppo calda o troppo fredda, il LED lampeggia in modo alterno con un lampeggio veloce e uno lento ripetuti nel tempo.

### Svuotamento del recipiente di raccolta polvere (Figg. K, L, N)

- ◆ Tenendo sospesa l'unità su un contenitore per rifiuti adeguato, premere il pulsante di rilascio del recipiente di raccolta polvere (6a) per rilasciare il coperchio del recipiente di stesso (6), come illustrato nella Figura K.
- Spingere verso il basso l'impugnatura di compattamento (19) per svuotare il contenuto del recipiente di raccolta polvere (5a), come illustrato nella Figura L.

### Compattamento del contenuto del recipiente di raccolta polvere (Figg. M, N)

- ◆ Con il coperchio del recipiente di raccolta polvere (6) chiuso, spingere verso il basso l'impugnatura di compattamento per compattare il contenuto del recipiente di raccolta polvere (5a), aumentando in tal modo al massimo la sua capacità, come illustrato nella Figura N.
- N1 = Prima del compattamento. N2 = Dopo il compattamento.**

### Rilascio del recipiente di raccolta polvere (Figg. O, P)

**Nota:** il recipiente di raccolta polvere può essere sganciato dall'unità in modalità telaio, come illustrato nella Figura O, oppure durante l'uso nella modalità di aspirapolvere rimovibile, come illustrato nella Figura P.

- ◆ Per sganciare il recipiente di raccolta polvere premere il la leva di rilascio (20).
- ◆ Estrarre il recipiente di raccolta polvere (5a) dall'aspirapolvere rimovibile (5).
- ◆ Utilizzando il manico del recipiente di raccolta polvere (21) e tenendo sospesa l'unità su un contenitore per rifiuti adeguato, premere il pulsante di rilascio del recipiente di raccolta polvere (6a) per sganciare il coperchio (6) e spingere verso il basso l'impugnatura di compattamento (19) per svuotare il contenuto del recipiente di raccolta polvere (5a), come illustrato nella Figura Q.

### Pulizia dei filtri del recipiente di raccolta polvere (Figg. R, S, T)

- ◆ Per sganciare il recipiente di raccolta polvere premere la leva di rilascio (20), come illustrato nella Figura O.
- ◆ Estrarre il gruppo filtri (22) dal recipiente di raccolta polvere (5a), ruotandolo in senso antiorario, come illustrato nella Figura R.

**Nota:** Nel modello CUA525BHP il prefiltro viene fornito con un dischetto profumato avvolto nella stagnola (22a) applicabile allo stesso che rilascia un gradevole profumo durante l'uso dell'apparecchio.

- ◆ Il filtro (23) ora può essere rimosso dal pre-filtro (22), come illustrato nella Figura T.
- ◆ Il recipiente di raccolta polvere può essere diviso in due parti, (5b) e (5c), per pulirlo più a fondo, come illustrato nella Figura S.
- ◆ Sciacquare il contenitore raccogli-polvere con acqua calda e sapone.
- ◆ Lavare i filtri in acqua calda saponata (Figg. W, X).
- ◆ Accertarsi che i filtri siano asciutti.
- ◆ Rimontare i filtri nell'apparecchio, accertandosi che siano correttamente inseriti in sede.
- ◆ Chiudere il recipiente di raccolta polvere (5a). Ricollegare l'aspirapolvere rimovibile, assicurandosi che il fermo (20) scatti in sede.

### Pulizia dei filtri dell'aspirapolvere rimovibile (Figg. U, V)

- ◆ Rimuovere il pannello di accesso al filtro (23), scoprendo la camera del filtro (25).
- ◆ A quel punto il filtro (24) può essere rimosso per pulirlo.

**Nota:** il modello CUA525BHA è dotato di un filtro HEPA (26) che aiuta a proteggersi dalle allergie.

- ◆ Entrambi i tipi di filtro possono essere lavati in acqua calda insaponata (Figg. W, X).

### Tracolla (Fig. Y)

Viene fornita una tracolla (2a) per agevolare l'uso dell'aspirapolvere rimovibile.

La tracolla può essere facilmente collegata al manico (2) tramite una cinghia in velcro, come illustrato nella Figura Y.

## Manutenzione

**Avvertenza!** Prima di eseguire la manutenzione dell'apparecchio o di pulirlo, scollegarlo dalla presa di corrente.

Strofinare di tanto in tanto l'elettrodomestico con un panno umido. Non usare materiali abrasivi o detersivi a base di solventi. Non immergere l'apparecchio in acqua. Questo apparecchio senza filo BLACK+DECKER è stato progettato per funzionare a lungo con una manutenzione minima. Prestazioni sempre soddisfacenti dipendono da una cura appropriata e da una pulizia regolare.

**Avvertenza!** Prima di qualsiasi operazione di manutenzione sugli apparecchi senza filo, svolgere le operazioni descritte di seguito.

- ◆ Scollegare il caricabatterie dalla spina prima di pulirlo. Il caricabatterie non richiede nessuna manutenzione, ad eccezione di una regolare pulizia.
- ◆ Pulire regolarmente le prese di ventilazione dell'apparecchio/del caricabatterie con un pennello morbido o con un panno asciutto.
- ◆ Pulire regolarmente il vano del motore con un panno umido. Non usare materiali abrasivi o detersivi a base di solventi.

## Sostituzione dei filtri

I filtri devono essere sostituiti ogni 6 - 9 mesi e quando sono usurati o danneggiati. I filtri di ricambio sono reperibili presso il proprio rivenditore BLACK+DECKER.

<b>CUABF10</b> - Kit filtri standard	Filtro pieghettato + Filtro di scarico in schiuma
<b>CUAHF10</b> - Kit filtri HEPA	Filtro pieghettato HEPA + Filtro di scarico HEPA

## Avvertenze per i dischetti profumati

### Fragranza lino cotone.

Lavarsi con cura viso, mani e cute esposta dopo aver maneggiato il prodotto. Indossare guanti/indumenti/occhiali di protezione e protezioni per il viso. In caso di contatto con gli occhi:

Sciacquare accuratamente per alcuni minuti.

Rimuovere eventuali lenti a contatto in caso ciò sia possibile agevolmente. Continuare a sciacquare. In caso di irritazione della pelle: Rivolgersi a un medico per un consulto o per farsi curare. Non disperdere nell'ambiente. Non ingerire.

- ◆ Rimuovere i vecchi filtri come descritto sopra.
- ◆ Inserire i nuovi filtri come descritto sopra.

## Protezione dell'ambiente



Raccolta differenziata. I prodotti e le batterie contrassegnati con questo simbolo non devono essere smaltiti con i rifiuti domestici normali.

Prodotti e batterie contengono materiali che possono essere recuperati o riciclati, riducendo la richiesta di materie prime. Riciclare i prodotti elettrici e le batterie attenendosi alle disposizioni locali vigenti. Ulteriori informazioni sono disponibili all'indirizzo [www.2helpU.com](http://www.2helpU.com).

### Dati tecnici

		CUA525BH	CUA525BHP	CUA525BHA
Tensione	V	18	18	18
Wattore	Wh	45	45	45
Peso	kg	3,85	3,85	3,85

### Garanzia

Black & Decker è certa della qualità dei propri prodotti e offre ai consumatori una garanzia di 24 mesi dalla data di acquisto. Il presente certificato di garanzia è complementare ai diritti legali e non li pregiudica in alcun modo. La garanzia è valida nei territori degli Stati membri dell'Unione Europea o dell'EFTA (Associazione europea di libero scambio).

Per attivare la garanzia, la richiesta di intervento e riparazione in garanzia deve essere effettuata in accordo con i Termini e condizioni Black & Decker e sarà necessario presentare la prova di acquisto al venditore o all'agente di riparazione autorizzato. I Termini e condizioni della garanzia Black & Decker di 2 anni e la sede dell'agente di riparazione autorizzato più vicino sono consultabili su Internet all'indirizzo [www.2helpU.com](http://www.2helpU.com) oppure è possibile contattare l'ufficio Black & Decker di zona all'indirizzo indicato in questo manuale.

Visitare il nostro sito [www.blackanddecker.it](http://www.blackanddecker.it) per registrare il prodotto Black & Decker appena acquistato e ricevere gli aggiornamenti su nuovi prodotti e offerte speciali.

### Bedoeld gebruik

De BLACK+DECKER multi-power stofzuigers van het type CUA525BH, CUA525BHP en CUA525BHA zijn ontworpen voor stofzuigen en schoonmaken. Deze apparaten zijn uitsluitend bestemd voor huishoudelijk gebruik.



Lees deze handleiding aandachtig geheel door voordat u het apparaat in gebruik neemt.

## Veiligheidsinstructies



**Waarschuwing!** Lees alle veiligheidswaarschuwingen en alle instructies. Wanneer de volgende waarschuwingen en voorschriften niet in acht worden genomen, kan dit een elektrische schok, brand of ernstig letsel tot gevolg hebben.

- ◆ In deze handleiding wordt het bedoeld gebruik beschreven. Het gebruik van accessoires of hulpstukken of de uitvoering van handelingen anders dan in deze gebruikershandleiding worden aanbevolen, kan een risico van persoonlijk letsel geven.
- ◆ Bewaar deze handleiding zodat u deze nog eens kunt raadplegen.

## Het apparaat gebruiken

- ◆ Gebruik het apparaat niet voor het opzuigen van vloeistoffen of materialen die vlam kunnen vatten.
- ◆ Gebruik het apparaat niet in de buurt van water.
- ◆ Dompel het apparaat niet onder in water.
- ◆ Trek nooit aan het snoer wanneer u de stekker van de lader uit het stopcontact wilt halen. Houd de lader uit de buurt van warmtebronnen, olie en scherpe randen.
- ◆ Dit apparaat mag worden gebruikt door kinderen van 8 jaar en ouder en personen die lichamelijk of geestelijk minder valide zijn of die geen ervaring met of kennis van dit apparaat hebben, mits zij onder toezicht staan of instructies krijgen

voor een veilige manier van gebruiken van het apparaat en inzicht hebben in de mogelijke gevaren. Kinderen mogen niet met het apparaat spelen. Laat kinderen nooit zonder toezicht het gereedschap schoonmaken of onderhouden.

- ◆ Berg het apparaat wanneer u het niet gebruikt, volledig opgeladen op een droge plaats op.
- ◆ Houd apparaten buiten het bereik van kinderen, ook wanneer ze zijn opgeborgen.

## **Inspectie en reparaties**

Controleer het apparaat vóór gebruik op beschadigingen en defecten. Controleer het apparaat op gebroken onderdelen, schade aan de schakelaars en andere omstandigheden die de werking ervan kunnen beïnvloeden.

- ◆ Gebruik het apparaat niet als een of meer onderdelen beschadigd of defect is.
- ◆ Laat beschadigde of defecte onderdelen door een geautoriseerd servicecentrum repareren of vervangen.
- ◆ Controleer het snoer van de lader regelmatig op beschadigingen. Vervang de lader als het snoer beschadigd of defect is.
- ◆ Probeer nooit andere onderdelen te verwijderen of te vervangen dan de onderdelen die in deze handleiding worden genoemd.

## **Aanvullende Veiligheidsinstructies**

### **Na gebruik**

- ◆ Trek de stekker van de lader uit het stopcontact voordat u de lader en het laadstation schoonmaakt.

## **Overige risico's**

Er kunnen zich bij het gebruik van dit gereedschap nog meer risico's voordoen, die mogelijk niet in de bijgesloten veiligheidswaarschuwingen worden beschreven. Deze risico's kunnen zich voordoen door onoordeelkundig gebruik, langdurig gebruik, enz.

Zelfs wanneer de veiligheidsvoorschriften in acht worden genomen en de veiligheidsvoorzieningen worden gebruikt, kunnen bepaalde risico's niet worden uitgesloten.

Dit zijn onder meer:

- ◆ Verwondingen die worden veroorzaakt door het aanraken van draaiende of bewegende onderdelen.
- ◆ Verwondingen die worden veroorzaakt bij het vervangen van onderdelen, messen of accessoires.
- ◆ Verwondingen die worden veroorzaakt door langdurig gebruik van gereedschap. Wanneer u langere periodes met gereedschap werkt, kunt u het beste regelmatig een pauze nemen.
- ◆ Gehoorbeschadiging.
- ◆ Gezondheidsrisico's door het inademen van stof dat vrijkomt tijdens het gebruik van uw gereedschap (bijvoorbeeld: het werken met hout,

met name eiken, beuken en MDF).

## Laders

De lader is ontworpen voor een bepaalde spanning. Controleer altijd dat de netspanning overeenkomt met de waarde op het typeplaatje.


**Waarschuwing!** Probeer nooit de lader te voorzien van een normale netstekker.

- ◆ Gebruik de lader van BLACK+DECKER alleen voor de accu's in het apparaat waarbij de lader is geleverd. Andere batterijen kunnen openbarsten, met persoonlijk letsel en materiële schade tot gevolg.
- ◆ Niet-laadbare accu's mogen nooit worden opgeladen.
- ◆ Als het netsnoer is beschadigd, moet het door de fabrikant of door een geautoriseerd BLACK+DECKER-servicecentrum worden vervangen, zodat gevaarlijke situaties worden voorkomen.
- ◆ Stel de lader niet bloot aan water.
- ◆ Maak de lader niet open.
- ◆ Steek niet met een scherp voorwerp in de lader.
- ◆ Plaats het apparaat/de accu tijdens het laden op een goed geventileerde locatie.

## Elektrische veiligheid

### Symbolen op de lader

 Lees deze handleiding zorgvuldig door voordat u het apparaat in gebruik neemt.

 Dit gereedschap is dubbel geïsoleerd. Een aardeaansluiting is daarom niet nodig. Controleer altijd dat de stroomvoorziening overeenkomt met de voltage op het typeplaatje.



Het laadstation is uitsluitend bestemd voor gebruik binnenshuis.

### Labels op het apparaat

Naast de datumcode worden op het apparaat de volgende pictogrammen vermeld



Lees deze handleiding zorgvuldig door voordat u het apparaat in gebruik neemt



Gebruik alleen de lader van het type S010Q 23 / SSC-230040XX

### Functies

Dit gereedschap is voorzien van enkele of alle van de volgende functies.

1. Aan/uit-schakelaar
2. Handgreep
- 2a. Draagriem
3. Handgreep / stang
- 3a. Poort voor flexibele buis
- 3b. Grendel verlengde buis
4. Uitschuifbaar kierenhulpstuk
5. Handstofzuiger
- 5a. Stofreservoir
6. Deksel stofreservoir
7. Laadstation
- 7a. Hulpstukhouder
8. Scharnier deksel stofreservoir
9. Slangaansluiting
10. Flexibele slang
11. Handgreep / stangontgrendelknop
12. Chassis
- 12a. Lamp
13. Slangopening chassis
14. Vloerkop
15. 3-in-1 Hulpstuk
16. Kierenhulpstuk huisdieren (alleen CUA525BHP)
17. Lang borstelhulpstuk (alleen CUA525BHA)
- 22a. Geurschijf (alleen CUA525BHP)

### Gebruik van het apparaat

#### In- en uitschakelen (Afb. A)

- ◆ Schakel het apparaat in door op de Aan/Uit-schakelaar (1) te drukken.
- ◆ Apparaat start in de middelste stand. U kunt de prestaties van het apparaat aanpassen met de schuifknop (J2) voor vermogensregeling Links = min Rechts = max (bij gebruik gezien vanaf boven).

- ◆ Schakel het apparaat uit door op de Aan/Uit-schakelaar (1) te drukken.

**Opmerking:** Zet het apparaat in de stand voor de hoge snelheid wanneer de klopborstels zijn ingeschakeld voor tapijt. Zet het apparaat in de stand voor de lage snelheid voor harde houten vloeren of laminaatvloeren.




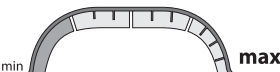

**Opmerking:** Het apparaat heeft een intuïtieve 'stand-by'-stand, waarin het gedurende enkele minuten na het opstarten de laatste toegepaste instellingen onthoudt.

**Opmerking:** Laat u het apparaat na gebruik onbeheerd achter, zet het dan rechtop, op zo'n manier dat het, wanneer het zou vallen, een wand of een hoek raakt en niet in de buurt komt van mensen of huisdieren.

## Regelpaneel (Afb. J)

Het apparaat is uitgerust met een smarttech-regelpaneel, met Intelligente sensortechnologie voor een meer intuïtieve schoonmaakervaring.

Deze technologie omvat de volgende functies:

	
J1 FLOORSENSOR Aanraakknop	Intelligente vloer-sensortechnologie laat de zuigkracht toenemen op vloerkleden en schakelt over naar de stand Economy voor lichtere taken, zoals reiniging van harde vloeren, zodat de accu het langer volhoudt, deze functie is actief wanneer de LED (J1a) brandt. U kunt ervoor zorgen dat de accu op alle oppervlakken langer meegaat door deze functie uit te schakelen door vlak (J1) aan te raken.
	
J2 Aanraakschuifbalk Vermogensregeling	Door met uw vinger over dit vlak te wrijven kunt u met de knoppen op het aanraakpaneel het vermogensniveau van het apparaat regelen van minimum tot maximum.
	
J3 Aanraakknop klopborstels	Hiermee kunt u de werking van de klopborstels in- en uitschakelen.
	
J4 Vermogens-indicator	Hiermee kunt u het niveau van het vermogen dat wordt verbruikt controleren.
	
J5 indicator ACCUSENSOR	De LED-indicator van de accu laat zien hoeveel lading de accu nog heeft en waarschuwt u wanneer de accu leeg raakt. De eind-LED blijft knipperen wanneer de accu niet meer vermogen heeft dan voor 1 minuut werking. Alle LED's knipperen wanneer de accu van het apparaat leeg is.



### J6 FILTERSENSOR

Smartsensor-technologie detecteert wanneer het filter verstopt raakt en moet worden schoongemaakt (het symbool licht rood op).

**Opmerking:** The FILTERSENSOR LED knippert en het apparaat wordt uitgeschakeld wanneer er een obstakel in de flexibele slang of voor de filters zit, waardoor de motor te heet zou worden. Schakel het apparaat onmiddellijk uit en verwijder het obstakel.

## De handgreep / stang gebruiken (Afb. B, C, D, E)

- ◆ Druk op de ontgrendelknop (11) van de handgreep / stang en maak de handgreep / stang (3) los van het chassis (12).
- ◆ Maak de slangconnector (9) los van de slangopening (13) op het chassis, zoals wordt getoond in afbeelding B.
- ◆ Druk op de ontgrendelknop (12b) op het chassis en til het afneembaar stofzuigerdeel (5) van het chassis (12), zoals wordt getoond in afbeelding C.
- ◆ Sluit de slangaansluiting (9) aan op de poort (3a) voor de flexibele slang en let er daarbij op dat de grendel (9a) stevig op z'n plaats klikt, zoals wordt getoond in afbeelding D.
- ◆ Trek het kierenhulpstuk (4) uit, zoals wordt getoond in afbeelding E, tot het op z'n plaats klikt.
- ◆ U kunt het kierenhulpstuk (4) intrekken door op de grendel (3b) voor de verlengde buis te drukken zodat deze naar z'n normale positie kan terugkeren.

## Het 3-in-1 hulpstuk gebruiken (Afb. F)

- ◆ De 3-in-1 handgreep / stang (15) heeft drie configuraties.
  1. Borstelstand.
  2. Kleine-kierenstand.
  3. Bekledingstand.
- ◆ De 3-in-1 handgreep / stang kan direct op de slangaansluiting 9 worden bevestigd of op een uitschuifbaar kierenhulpstuk (4), zoals wordt getoond in afbeelding F.

## De klopborstels uitnemen en schoonmaken (Afb. G, H)

- ◆ Verwijder de klopborstel-unit (14a) van de vloerkop (14) door de vrijgaveknop (14b) in te drukken, zoals wordt getoond in afbeelding G.
- ◆ U kunt de klopborstels (18) nu uitnemen. De eindstukken kunnen ook worden verwijderd zodat u haar en ander vuil dat zich heeft verzameld, kunt weghalen, zoals wordt getoond in afbeelding H.

**Opmerking:** Als er een voorwerp in de klopborstels vast komt te zitten, stoppen ze automatisch.



Schakel het apparaat uit, verwijder het voorwerp en ga door met uw werkzaamheden.

**Opmerking:** De CUA525BHP is voorzien van een speciale klopborstel (18a) voor het haar van huisdieren, enz.

## Opladen (Afb. I)

- ◆ Plaats het apparaat in het laadstation (7), zoals wordt getoond in afbeelding I.
- ◆ Steek de stekker van het laadstation (7) in een stopcontact.
- ◆ Controleer dat er stroom op het stopcontact staat. De LED-laadindicator zal knipperen en in delen toenemen. De LED's gaan uit wanneer de accu volledig is opgeladen.
- ◆ Het apparaat moet 6 uur lang worden opgeladen.

**Opmerking:** Het Laadstation wordt geleverd met 2 schroeven en wandpluggen voor bevestiging aan de wand, voor extra stabiliteit, zoals wordt getoond in afbeelding I.

Patronen van de Accusensor-LED	
	Accustoring (Alle LED's)
	Laderstoring (Alle LED's)
	Accu te warm (Alle LED's)

## Diagnosefuncties voor de accu

Als het apparaat detecteert dat de accu bijna leeg is, gaat het oplaadlampje snel knipperen wanneer u op de Aan/Uit-knop drukt. Ga in dat geval als volgt te werk:

- ◆ Steek de stekker van de lader in het stopcontact. Controleer dat er spanning op het stopcontact staat.
- ◆ Laat het apparaat opladen.

Als het apparaat detecteert dat de accu beschadigd is, gaat het oplaadlampje snel knipperen wanneer u het apparaat in de lader plaatst. Ga in dat geval als volgt te werk:

- ◆ Laat het apparaat en de lader testen bij een erkend servicecentrum.

**Opmerking:** Het kan soms wel 60 minuten duren voordat kan worden vastgesteld dat de accu niet goed functioneert. Als de accu te warm of te koud is, knippert het LED-lampje afwisselend snel en langzaam.

## Het stofreservoir legen (Afb. K, L, N)

- ◆ Houd het apparaat boven een geschikte afvalbak, druk op de ontgrendelknop (6a) zodat de deksel van het stofreservoir (6) opengaat, zoals wordt getoond in afbeelding K.
- ◆ Duw de compacteerhandgreep (19) omlaag en het stofreservoir (5a) leeg, zoals wordt getoond in afbeelding L.

## De inhoud van het stofreservoir samendrukken (Afb. M, N)

- ◆ Duw terwijl de deksel (6) van het stofreservoir gesloten is, de compacteerhandgreep omlaag en duw de inhoud van het stofreservoir (5a) samen zodat de capaciteit ervan wordt vergroot, zoals in afbeelding N wordt getoond. **N1 = Voor het samendrukken. N2 = Na het samendrukken.**

## Het stofreservoir losmaken (Afb. O, P)

**Opmerking:** U kunt het stofreservoir van het apparaat losmaken in de chassis-stand zoals wordt getoond in afbeelding O, of bij gebruik in de stand voor het afneembare stofzuigerdeel, zoals wordt getoond in afbeelding P.

- ◆ Druk de vrijgavehendel (20) van het stofreservoir omlaag en maak het stofreservoir los.
- ◆ Maak het stofreservoir (5a) los van het afneembare stofzuigerdeel (5).
- ◆ Bedien de handgreep van het stofreservoir (21) en houd het apparaat boven een geschikte afvalbak, druk op de ontgrendel knop (6a) van het stofreservoir en maak de deksel (6) van het stofreservoir los en maak het stofreservoir (5a) leeg door de compacteerhandgreep (19) omlaag te duwen, zoals wordt getoond in afbeelding Q.

## De filters van het stofreservoir reinigen

### (Afb. R, S, T)

- ◆ Duw de vrijgavehendel (20) van het stofreservoir omlaag en maak het stofreservoir los, zoals wordt getoond in afbeelding O.
- ◆ Til de filters (22) uit het stofreservoir (5a) door deze naar links te draaien, zoals wordt getoond in afbeelding R.

**Opmerking:** Het voorfilter van de CUA525BHP wordt geleverd met een geurschijf in een folieverpakking (22a), en deze schijf kan worden bevestigd zodat bij gebruik van het apparaat een prettige geur wordt verspreid.

- ◆ Het filter (23) kan nu uit het voorfilter (22) worden getild, zoals wordt getoond in afbeelding T.
- ◆ Het stofreservoir kan in twee delen worden opgedeeld, (5b) en (5c), zodat het grondiger kan worden gereinigd, zoals wordt getoond in afbeelding S.
- ◆ Spoel het stofreservoir uit in een warm sopje.
- ◆ Was de filters uit in een warm sopje (Afb. W, X).
- ◆ Het is belangrijk dat u de filters goed laten drogen
- ◆ Plaats de filters weer in het apparaat en let erop dat ze goed op hun plaats zitten.
- ◆ Sluit het stofreservoir (5a). Sluit het weer aan op het afneembare stofzuigerdeel er let daarbij op dat de vrijgavehendel (20) op z'n plaats klikt.

## De filters van het afneembare stofzuigerdeel reinigen (Afb. U, V)

- ◆ Breng het paneel (23) voor toegang tot de filters omhoog, zodat de filterkamer (25) open is.
- ◆ Het filter (24) kan nu worden uitgenomen en worden gereinigd.

**Opmerking:** De CUA525BHA is voorzien van een HEPA-filter (26), die bescherming biedt tegen allergische reacties.

- ◆ Beide typen filters kunnen in een warm sopje worden gereinigd (Afb. W, X).

## Draagriem (Afb. Y)

Er wordt een draagriem (2a) geleverd waarmee het afneembare deel van de stofzuiger gemakkelijk kan worden gebruikt. Deze kunt u met klittenband gemakkelijk bevestigen aan de handgreep (2), zoals wordt getoond in afbeelding Y.

## Onderhoud

**Waarschuwing!** Verwijder altijd de stekker uit het stopcontact voordat u onderhouds- of reinigingswerkzaamheden aan het apparaat uitvoert.

Neem het apparaat van tijd tot tijd af met een vochtige doek. Gebruik niet een schurend schoonmaakmiddel of een schoonmaakmiddel op basis van een oplosmiddel. Dompel het apparaat niet onder in water.

Uw snoerloze BLACK+DECKER-apparaat is ontworpen om gedurende lange tijd te functioneren met een minimum aan onderhoud. Het continu naar tevredenheid functioneren hangt af van de juiste zorg voor het gereedschap en regelmatig schoonmaken.

**Waarschuwing!** Ga altijd als volgt te werk voor u onderhouds- of reinigingswerkzaamheden aan het snoerloze apparaat uitvoert:

- ◆ Trek de stekker van de lader uit het stopcontact voordat u de lader schoonmaakt. Behalve regelmatige reiniging vraagt de lader geen onderhoud.
- ◆ Reinig regelmatig de ventilatieopeningen van het apparaat/de lader met een zachte borstel of droge doek.
- ◆ Reinig de behuizing van de motor regelmatig met een vochtige doek. Gebruik niet een schurend schoonmaakmiddel of een schoonmaakmiddel op basis van een oplosmiddel.

## De filters vervangen

De filters moeten om de 6 tot 9 maanden worden vervangen of wanneer ze maar versleten of beschadigd zijn.

Reservefilters zijn verkrijgbaar bij de BLACK + DECKER-leverancier.

CUAHF10 - HEPA-pakk ket	HEPA Gevouwen filter + HEPA Schuimuitlaat
----------------------------	--

## Waarschuwing voor geurschijven.



### Geur van schoon linnen.

Was uw gezicht, handen en eventueel blootgestelde huid grondig na het hanteren van de filters. Draag beschermende handschoenen/kleding/oogbescherming/ gezichtsbescherming. Aanraking met de ogen:

Spel gedurende een aantal minuten voorzichtig met water. Neem contactlenzen uit als u die draagt en uitnemen gemakkelijk is. Ga door met spoelen. Bij huidirritatie: Vraag medisch advies/raadpleeg een arts. Vermijd lozing in het milieu. Niet inslikken.

- ◆ Verwijder de oude filters op de hiervoor beschreven wijze.
- ◆ Plaats de nieuwe filters op de hiervoor beschreven wijze.

## Het milieu beschermen



Gescheiden afvalinzameling. Producten en accu's waarop dit symbool is aangebracht, mogen niet bij het normale huishoudafval worden weggegooid.

Producten en accu's bevatten materialen die kunnen worden teruggewonnen of gerecycled en dat doet de vraag naar grondstoffen afnemen.

Recycle elektrische producten en accu's volgens de ter plaatse geldende bepalingen. Nadere informatie is beschikbaar op [www.2helpU.com](http://www.2helpU.com)

## Technische gegevens

		CUA525BH	CUA525BHP	CUA525BHA
Spanning	V	18	18	18
Watt/uur	Wh	45	45	45
Gewicht	Kg	3,85	3,85	3,85

## Garantie

Black & Decker heeft vertrouwen in zijn producten en biedt consumenten een garantie van 24 maanden vanaf de aankoopdatum. Deze garantie vormt een aanvulling op uw wettelijke rechten en beperken deze niet. De garantie is geldig op het grondgebied van de Lidstaten van de Europese Unie en de Europese Vrijhandelszone.

Voor een garantie-aanspraak moet uw aanspraak in overeenstemming zijn met de Voorwaarden en Condities van Black & Decker en moet u een bewijs van aankoop overleggen aan de verkoper of aan een geautoriseerde reparatiemonteur. Voorwaarden en condities van de 2-jarige garantie van Black & Decker en het adres van de vestiging van het geautoriseerde reparatiecentrum bij u in de buurt, kunt u vinden op internet op [www.2helpU.com](http://www.2helpU.com), of door contact op te nemen met het Black & Decker-kantoor ter plaatse, op het adres dat in deze handleiding wordt vermeld.

Bezoek onze website [www.blackanddecker.nl](http://www.blackanddecker.nl), waar u uw nieuwe Black & Decker-product kunt registreren en informatie kunt verkrijgen over nieuwe producten en speciale aanbiedingen.

CUABF10 - Standaard Filterpakket	Gevouwen filter + Schuimuitlaat
-------------------------------------	---------------------------------

## Uso previsto

Los aspiradores con múltiples selecciones de potencia CUA525BH, CUA525BHP y CUA525BHA de BLACK + DECKER han sido diseñados para aplicaciones de aspiración. Estos aparatos han sido concebidos únicamente para uso doméstico.



Lea todo el manual detenidamente antes de utilizar el aparato.

## Instrucciones de seguridad



**Advertencia.** Lea todas las advertencias de seguridad y todas las instrucciones. En caso de no atenerse a las siguientes advertencias e instrucciones de seguridad, podría producirse una descarga eléctrica, incendio o lesión grave.

- ◆ En este manual se describe el uso previsto del aparato. La utilización de accesorios o la realización de operaciones distintas a las recomendadas en este manual de instrucciones pueden conllevar un riesgo de lesiones.
- ◆ Conserve este manual para futuras consultas.

## Uso del aparato

- ◆ No utilice el aparato para recoger líquidos o materiales inflamables.
- ◆ No utilice el aparato cerca del agua.
- ◆ No sumerja el aparato en agua.
- ◆ No tire del cable para desconectar el cargador de la toma de corriente. Mantenga el cable del cargador alejado de fuentes de calor, aceites y bordes afilados.

- ◆ Este aparato puede ser usado por niños a partir de 8 años de edad y por personas con capacidades físicas, sensoriales o mentales disminuidas, o que carezcan de experiencia y conocimientos, si están supervisadas o han recibido formación con respecto al uso del aparato de una forma segura y que comprenden los peligros que entraña su uso. Los niños no deben jugar con el aparato. Los niños no deberán realizar las tareas de limpieza y mantenimiento de usuario, salvo que lo hagan bajo supervisión.

## Inspecciones y reparaciones

Antes de utilizar el aparato, compruebe que no tenga piezas dañadas ni defectuosas. Compruebe que no haya piezas rotas, que los interruptores no estén dañados y que no existan otros defectos que puedan afectar al funcionamiento del aparato.

- ◆ No utilice el aparato si presenta alguna pieza dañada o defectuosa.
- ◆ Solicite a un agente de servicio técnico autorizado la reparación o sustitución de las piezas dañadas o defectuosas.
- ◆ Compruebe con regularidad que el cable del cargador no ha sufrido daños. Sustituya el cargador si el cable está dañado o es defectuoso.
- ◆ Nunca intente extraer ni sustituir ninguna pieza que no esté especificada en este manual.

## Instrucciones de seguridad adicionales

### Después de la utilización

- ◆ Desenchufe el cargador antes de limpiarlo o antes de limpiar la base de carga.
- ◆ Cuando no utilice el aparato, debe guardarlo completamente cargado en un lugar seco.
- ◆ Los niños no deben tener acceso a los aparatos guardados.

### Riesgos residuales

El uso de esta herramienta puede producir riesgos residuales adicionales no incluidos en las advertencias de seguridad adjuntas. Estos riesgos se pueden generar por un uso incorrecto, demasiado prolongado, etc.

El cumplimiento de las normas de seguridad correspondientes y el uso de dispositivos de seguridad no evitan ciertos riesgos residuales.

Dichos riesgos incluyen:

- ◆ Lesiones producidas por el contacto con piezas móviles o giratorias.
- ◆ Lesiones causadas al cambiar piezas, hojas o accesorios.
- ◆ Lesiones causadas por el uso prolongado de una herramienta. Si utiliza una herramienta durante períodos de tiempo demasiado prolongados, asegúrese de realizar pausas con frecuencia.
- ◆ Deterioro auditivo.

- ◆ Riesgos para la salud causados por la respiración del polvo generado por el uso de la herramienta (por ejemplo, al trabajar con madera, especialmente roble, haya, tablero semiduro de fibras y cuarzo en polvo de hormigón).

### Cargadores


El cargador ha sido diseñado para un voltaje específico. Compruebe siempre que el voltaje de la red eléctrica corresponda al valor indicado en la placa de características.

**Advertencia** No intente sustituir el cargador por un enchufe convencional para la red eléctrica.

- ◆ Solo debe utilizar el cargador BLACK+DECKER suministrado para cargar la batería del aparato. Otras baterías podrían explotar y provocar lesiones y daños materiales.
- ◆ Nunca intente cargar baterías no recargables.
- ◆ Si se daña el cable de alimentación, el fabricante o un centro de servicio técnico autorizado de BLACK+DECKER deberán sustituirlo para evitar riesgos.
- ◆ No exponga el cargador al agua.
- ◆ No abra el cargador.
- ◆ No aplique ningún dispositivo para medir la resistencia del cargador.
- ◆ Durante la carga, el aparato/batería debe colocarse en una zona correctamente ventilada.

# Seguridad eléctrica

## Símbolos del cargador

 Lea todo el manual detenidamente antes de utilizar el aparato.



Esta herramienta lleva un doble aislamiento; por lo tanto, no requiere una toma de tierra. Compruebe siempre que el voltaje suministrado corresponda al indicado en la placa de características.



La base del cargador está pensada únicamente para utilizarla en espacios interiores.

## Etiquetas del aparato

Junto con el código de la fecha, en el aparato aparecen los siguientes símbolos:



Lea todo el manual detenidamente antes de utilizar el aparato.



Utilice solamente con el cargador S010Q  
23 / SSC-230040XX

## Características

Esta herramienta incluye parte o la totalidad de estas características.

1. Interruptor de encendido/apagado
2. Mango
- 2a. Correa de transporte
3. Mango/varilla
- 3a. Puerto de tubo flexible
- 3b. Pestillo de extensión del tubo
4. Accesorio de boquilla estrecha extensible
5. Aspirador a mano
- 5a. Depósito de polvo
6. Puerta del recipiente para el polvo
7. Base del cargador
- 7a. Soporte para accesorios
8. Bisagra de la tapa del recipiente para el polvo
9. Conector de manguera
10. Manguera flexible
11. Botón de liberación del mango/varilla
12. Bastidor
- 12a. Luz
13. Puerto de la manguera del chasis
14. Cabeza para suelos
15. Herramienta de accesorios 3 en 1
16. Accesorio para pelos de mascotas (solo para el modelo CUA525BHP).
17. Herramienta de cepillo largo (solo para el modelo CUA525BHA)

22a. Disco perfumado (solo para el modelo CUA525BHP)

## Uso

### Encendido y apagado (Fig. A)

- ◆ Para encender el aparato, pulse el interruptor de encendido/apagado (1).
- ◆ La unidad se inicia en el ajuste de potencia media. El rendimiento se puede ajustar utilizando el interruptor deslizante de control de potencia (J2) Posición izquierda = mín. Posición derecha = máx. (tal como se ve en uso desde arriba).
- ◆ Para apagar el aparato, pulse el interruptor de encendido/apagado (1).

**Nota:** Utilice el aparato en modo de alta velocidad con el sacudidor encendido para alfombras. Utilice el aparato en modo de baja velocidad con el sacudidor apagado para madera y suelos laminados.




**Nota:** La unidad tiene un modo intuitivo de "espera" que le permite recordar la última configuración utilizada antes de ponerse en marcha.

**Nota:** Si deja la unidad sin atender cuando la está utilizando, coloque la unidad en posición vertical de tal manera que en caso de caer accidentalmente quede apoyada a una esquina o pared y manténgala alejada de personas y animales domésticos.

### Panel de control (Fig. J)

La unidad está equipada con un panel de control de **tecnología inteligente** con tecnología de detección inteligente para ofrecer una experiencia de limpieza más cómoda.

Las características que incluye la unidad son las siguientes:


<p><b>J1 Botón táctil del SENSOR DEL SUELO</b> La tecnología inteligente del sensor del suelo aumenta la succión en alfombras y cambia al modo económico en tareas más fáciles de limpiar, como por ejemplo baldosas, optimizando así el tiempo de funcionamiento de la batería. Cuando esta función está activa, se enciende el LED (J1a). Para maximizar el tiempo de funcionamiento en todas las superficies, desactive esta función tocando la zona área (J1).</p>

<p><b>J2 Interruptor deslizante táctil del control de encendido</b> El panel de botones táctiles le permite controlar el nivel de potencia de la unidad desde el mínimo hasta el máximo, deslizando el dedo a lo largo de esta área.</p>

<p><b>J3 Botón táctil del Sacudidor</b> Le permite encender/apagar la función del sacudidor.</p>

<p><b>J4 Indicador de potencia</b> Le permite controlar el nivel de potencia que se está utilizando.</p>
<p><b>J5 Indicador del SENSOR DE BATERÍA</b> El indicador LED de batería muestra la carga restante y le avisa cuando la batería está baja. El LED final parpadeará de forma continuada cuando solamente quede un minuto de tiempo de funcionamiento. Cuando la unidad esté completamente descargada, parpadearán todos los LED.</p>
<p><b>J6 SENSOR DEFILTRO</b> La tecnología del sensor inteligente detecta automáticamente (el símbolo se ilumina en rojo) cuando el filtro se obstruye y necesita una limpieza.</p>

**Nota:** El LED DEL SENSOR DEFILTRO parpadeará y la unidad se apagará automáticamente cuando haya alguna obstrucción en la manguera flexible o en los filtros que cause que el motor se sobrecaliente. Desconecte y elimine la causa del bloqueo inmediatamente.

### Utilización del mango/varilla (Fig. B, C, D, E)

- ◆ Presione el botón de liberación del mango/varilla (11) para liberar el mango/varilla (3) del chasis (12).
- ◆ Libere el conector de la manguera (9) del puerto de la manguera del chasis (13), tal y como se muestra en la figura B.
- ◆ Presione el botón de liberación del chasis (12a) para sacar el mecanismo de elevación de aspirado (5) del chasis (12) como se muestra en la figura C.
- ◆ Conecte el conector de la manguera (9) al puerto de tubo flexible (3a) asegurándose de que el pestillo (9a) encaje en su sitio de forma segura, tal como se indica en la figura D.
- ◆ Extienda la boquilla estrecha (4) como se muestra en la figura E, hasta que encaje en su posición.
- ◆ Para retraer la boquilla estrecha (4) presione el pestillo de extensión del tubo (3b) dejando que vuelva a su posición normal.

### Utilización de la herramienta de accesorios 3 en 1 (Fig. F)

- ◆ El mango/varilla 3 en 1 (15) tiene tres configuraciones.
  1. Modo cepillo.
  2. Modo boquilla estrecha.
  3. Modo tapicería.
- ◆ El mango/varilla 3 en 1 puede conectarse directamente al conector de la manguera (9) o a la boquilla estrecha extensible (4) tal como se muestra en la figura F.

### Extraer y limpiar los sacudidores (Fig. G, H)

- ◆ Para extraer el sacudidor (14a) del cabezal para suelo (14), pulse el botón de extracción (14b) como se muestra en la figura G.
- ◆ Ahora puede sacar el sacudidor (18).  
Las piezas de los extremos también son extraíbles y le permiten limpiar los cepillos de pelos u otros residuos que pudieran haberse acumulado, tal y como se muestra en la figura H.

**Nota:** Si se queda atrapado algún objeto en el sacudidor, este se parará automáticamente. Apague el aparato, saque el objeto y continúe.

**Nota:** La unidad CUA525BHP incluye una barra especializada para el sacudido de pelos (18a) para el aspirado de pelos de mascotas.

### Cargar (Fig. I)

- ◆ Coloque el aparato en la base del cargador (7) como se muestra en la figura I.
- ◆ Enchufe la base de carga (7) en una toma de corriente.
- ◆ Encienda la toma de corriente. El indicador LED de carga parpadeará y aumentará en secciones.  
Los LED se apagan cuando la unidad está completamente cargada.
- ◆ El aparato debe cargarse durante 6 horas.

**Nota:** La base de carga se proporciona con dos tornillos y conectores de pared para asegurarla a una pared, proporcionando así mayor estabilidad, tal y como se muestra en la figura I.

Patrones del LED sensor de la batería	
	Fallo de la batería (todos los LED)
	Fallo del cargador (todos los LED)
	Batería caliente (todos los LED)

### Diagnóstico de la batería

Si el aparato detecta que la batería dispone de poca energía, el indicador de carga parpadeará a gran velocidad al pulsar el botón de encendido. Realice el procedimiento siguiente:

- ◆ Conecte el cargador. Conéctelo a la red eléctrica.
- ◆ Deje cargar el aparato.

Si el aparato detecta que la batería está dañada, el indicador de carga parpadeará a gran velocidad cuando el aparato esté en carga. Realice el procedimiento siguiente:

- ◆ Lleve el aparato y el cargador a un centro de servicio autorizado para que los revisen.

**Nota:** puede llevar hasta 60 minutos determinar si la batería es defectuosa. Si la batería está demasiado fría o demasiado caliente, el LED parpadeará en forma rápida y lenta, alternadamente, y repetirá la secuencia.

**Vaciar el recipiente de polvo (Fig. K, L, N)**

- ◆ Sosteniendo la unidad sobre lugar adecuado para el desecho de residuos, presione el botón de liberación del recipiente de polvo (6a) para liberar la tapa del recipiente de polvo (6) como se muestra en la figura K.
- ◆ Empuje el mango de compactación (19) hacia abajo para vaciar el contenido del recipiente de polvo (5a) como se muestra en la figura L.

**Compactación del contenido del depósito de polvo (Fig. M, N)**

- ◆ Con la tapa del depósito de polvo (6) cerrada, empuje el mango de compactación hacia abajo para compactar el contenido del depósito de polvo (5a), aumentando así su capacidad, tal y como se muestra en la figura N.

**N1 = antes de compactar. N2 = después de compactar.**

**Liberación del depósito de polvo (Fig. O, P)**

**Nota:** El recipiente de polvo se puede sacar de la unidad cuando está en el modo de chasis, como se muestra en la figura O, o cuando se utiliza en el modo de descarga del recipiente de aspiración, como se muestra en la figura P.

- ◆ Pulse el botón de liberación del depósito de polvo (20) para extraer el depósito de polvo.
- ◆ Libere el depósito de polvo (5a) del mecanismo de elevación del recipiente de aspirado (5).
- ◆ Utilizando el mango de depósito de polvo (21) y sujetando la unidad sobre un recipiente adecuado para la eliminación de residuos, presione el botón de liberación del depósito de polvo (6a) para liberar la tapa del depósito de polvo (6) y empuje el mango de compactación (19) para vaciar el contenido del depósito de polvo (5a) como se muestra en la figura Q.

**Limpieza de los filtros del recipiente de polvo (Fig. R,S,T)**

- ◆ Presione la palanca de liberación del depósito de polvo (20) hacia abajo para liberar el depósito de polvo como se muestra en la figura O.
- ◆ Levante el conjunto del filtro (22) del depósito de polvo (5a) girando en sentido contrario a las agujas del reloj tal y como se muestra en la figura R.

**Nota:** El prefiltro del aparato CUA525BHP está equipado con un disco perfumado en un envoltorio de papel (22a) que se puede conectar para liberar un aroma agradable cuando se utilice el aparato

- ◆ Ahora puede extraer el filtro (23) del prefiltro (22), tal y como se muestra en la Figura T.
- ◆ El depósito de polvo se puede separar en dos partes, (5b) y (5c), para facilitar el realizar una limpieza más profunda, tal como se muestra en la figura S.
- ◆ Enjuague el depósito de polvo con agua tibia y jabón.

- ◆ Lave los filtros con agua tibia y jabón (Fig. U).
- ◆ Compruebe que los filtros estén secos.
- ◆ Vuelva a colocar los filtros en el aparato y asegúrese de que estén correctamente colocados.
- ◆ Cierre el depósito de polvo (5a). Vuelva a conectar el mecanismo de elevación del recipiente de aspirado asegurándose de que el pestillo (20) encaja en su lugar.

**Limpieza de los filtros del aspirador manual (Fig. U, V)**

- ◆ Levante el panel de acceso al filtro (23), de modo que pueda ver la cámara del filtro (25).
- ◆ El filtro (24) se puede retirar ahora para su limpieza.

**Nota:** La unidad CUA525BHA está equipada con un filtro HEPA (26) para ayudar en la protección contra alergias.

- ◆ Ambos tipos de filtros se pueden limpiar con agua tibia y jabón (Fig. W, X).

**Correa de transporte (Fig. Y)**

Se suministra una correa de transporte (2a) para facilitar el uso del aspirador manual. Se fija fácilmente al mango (2) a través de un pasador de velcro, tal como se muestra en la figura Y.

**Mantenimiento**

**¡Advertencia!** Para realizar el mantenimiento o limpieza del aparato, antes debe desenchufarlo.

Limpie el aparato de vez en cuando con un paño húmedo. No utilice limpiadores abrasivos o a base de disolventes. No sumerja el aparato en agua.

Este aparato sin cable de BLACK+DECKER ha sido diseñado para funcionar durante un largo período de tiempo con un mantenimiento mínimo. El funcionamiento satisfactorio y continuo depende del buen cuidado de la herramienta y de una limpieza frecuente.

**Advertencia** Antes de realizar el mantenimiento de aparatos sin cables:

- ◆ Desenchufe el cargador antes de limpiarlo. El cargador no requiere ningún mantenimiento especial excepto la limpieza periódica.
- ◆ Limpie periódicamente las ranuras de ventilación de la herramienta o el cargador con un cepillo suave o un paño seco.
- ◆ Limpie periódicamente la carcasa del motor con un paño húmedo. No utilice limpiadores abrasivos o a base de disolventes.

**Sustitución de los filtros**

Es necesario cambiar los filtros cada 6 o 9 meses y cuando se gasten o se dañen. Encontrará filtros de repuesto en el distribuidor BLACK+DECKER.

CUABF10 - Kit de filtros estándar	Filtro plegado + descarga de espuma
CUAHF10 - Kit HEPA	Filtro plegado HEPA + descarga de HEPA

**Advertencia sobre los discos perfumados.**



**Fragancia a lino y algodón.**

Lávese bien la cara, las manos y cualquier parte de la piel expuesta después de tocar el producto. Use guantes protectores, ropa protectora, protección ocular y protección facial. Si entra en contacto con los ojos:

Aclare bien con agua durante varios minutos. Si lleva

lentillas quíteselas y siga aclarando. En caso de irritación cutánea: Consulte o hágase atender por un médico. Evite la dispersión en el medioambiente. No ingiera el producto.

- ◆ Extraiga los filtros viejos como se ha descrito anteriormente.
- ◆ Coloque los filtros nuevos como se ha descrito anteriormente.

**Protección del medio ambiente**



Recogida selectiva. Los productos y las baterías marcadas con este símbolo no se deben eliminar con los residuos domésticos normales.

Los productos y las baterías que contienen materiales que se puedan recuperar o reciclar reducen la demanda de materias primas.

Recicle los productos eléctricos y las baterías de conformidad con la normativa local. Puede obtener más información en [www.2helpU.com](http://www.2helpU.com)

**Datos técnicos**

		CUA525BH	CUA525BHP	CUA525BHA
Tensión	V	18	18	18
Vatios-hora	V/h	45	45	45
Peso	Kg	3.85	3.85	3.85

**Garantía**

Black & Decker confía en la calidad de sus productos y ofrece a los consumidores una garantía de 24 meses a partir de la fecha de compra. Esta garantía es adicional a sus derechos legales y no los menoscaba en modo alguno. La garantía es válida dentro de los territorios de los Estados Miembros de la Unión Europea y del Área de Libre Comercio Europea.

Para reclamar la garantía, la reclamación se debe presentar de conformidad con las condiciones de Black & Decker. Tendrá que adjuntar un justificante de compra al vendedor o al agente técnico autorizado. Las condiciones de la garantía de 2 años de Black & Decker y la ubicación de su agente técnico autorizado más cercano se pueden obtener en Internet en [www.2helpU.com](http://www.2helpU.com) o poniéndose en contacto con su oficina local de Black & Decker en la dirección que se indica en este manual.

Visite nuestro sitio web [www.blackanddecker.co.uk](http://www.blackanddecker.co.uk) para registrar su nuevo producto Black & Decker y recibir noticias sobre nuevos productos y ofertas especiales.

**Utilização pretendida**

Os aspiradores de potência múltipla CUA525BH, CUA525BHP e CUA525BHA BLACK+DECKER foram concebidos para limpeza a vácuo. Estes aparelhos destinam-se apenas a utilização doméstica.



Leia com atenção todo o manual antes de utilizar o aparelho.

**Instruções de segurança**



**Atenção!** Leia todos os avisos de segurança e todas as instruções. O não cumprimento dos seguintes avisos e instruções pode resultar em choque elétrico, incêndio e/ou graves lesões.

- ◆ A utilização prevista está descrita neste manual. A utilização de qualquer acessório ou a execução de qualquer operação com este aparelho que não esteja incluída no presente manual de instruções poderá representar um risco de ferimentos pessoais.
- ◆ Conserve este manual para referência futura.

**Utilizar o equipamento**

- ◆ Não utilize este aparelho para aspirar líquidos ou quaisquer materiais combustíveis.
- ◆ Não utilize este aparelho perto de água.
- ◆ Não mergulhe o aparelho em água.
- ◆ Nunca puxe pelo cabo do carregador para desligar o carregador da tomada. Mantenha o cabo do carregador afastado do calor, combustíveis e extremidades afiadas.



- ◆ Este aparelho pode ser utilizado por crianças com 8 anos de idade ou mais e por pessoas que apresentem capacidades físicas, sensoriais ou mentais reduzidas ou que não possuam os conhecimentos e a experiência necessários, se forem vigiadas e instruídas acerca da utilização do aparelho de uma forma segura e entenderem os perigos envolvidos. As crianças não devem mexer no equipamento. A limpeza e manutenção não deverão ser efetuadas por crianças sem supervisão.

### **Inspeção e reparações**

Antes da utilização, verifique a existência de peças danificadas ou avariadas no aparelho. Verifique se há peças partidas, danos nos interruptores ou outro tipo de condições que possam afectar o seu funcionamento.

- ◆ Não utilize este aparelho se alguma das peças estiver danificada ou avariada.
- ◆ Mande reparar ou substituir quaisquer peças danificadas ou avariadas por um agente de reparação autorizado.
- ◆ Verifique regularmente se existem danos no cabo do carregador. Substitua o carregador se o cabo estiver danificado ou com defeitos.
- ◆ Nunca tente retirar ou substituir quaisquer peças que não as especificadas neste manual.

## **Instruções de segurança adicionais**

### **Após a utilização**

- ◆ Desligue o carregador ou a base de carga antes de os limpar.
- ◆ Quando não estiver em utilização, o aparelho deve ser guardado totalmente carregado num local seco.
- ◆ As crianças não devem ter acesso a aparelhos armazenados.

### **Riscos residuais**

Podem surgir riscos residuais adicionais durante a utilização da ferramenta, que poderão não constar nos avisos de segurança incluídos. Estes riscos podem resultar de má utilização, uso prolongado, etc.

Mesmo com o cumprimento dos regulamentos de segurança relevantes e a implementação de dispositivos de segurança, alguns riscos residuais não podem ser evitados.

Estes incluem:

- ◆ Ferimentos causados pelo contacto com peças em rotação/movimento.
- ◆ Ferimentos causados durante substituição de peças, lâminas ou acessórios.
- ◆ Ferimentos causados pela utilização prolongada de uma ferramenta. Quando utilizar uma ferramenta durante períodos prolongados, certifique-se de que faz pausas regularmente.
- ◆ Danos auditivos.

- ◆ Problemas de saúde causados pela inalação de poeiras resultantes da utilização da ferramenta (exemplo: trabalhos em madeira, especialmente carvalho, faia e MDF).



Esta ferramenta tem isolamento duplo. Por esse motivo, não precisa de ligação à terra. Verifique sempre se a tensão da tomada de eletricidade corresponde à voltagem indicada na placa com os requisitos de alimentação da ferramenta.



A base de carregamento destina-se exclusivamente a uma utilização no interior.

## Carregadores

O carregador foi concebido para uma tensão específica. Verifique sempre se a tensão de alimentação corresponde à tensão indicada na placa sinalética.

**Atenção!** Nunca tente substituir a unidade do carregador por uma tomada de alimentação normal.

- ◆ Utilize o carregador BLACK+DECKER apenas para carregar a bateria do aparelho com que foi fornecido. Outras pilhas podem rebentar, provocando ferimentos e danos.
- ◆ Nunca tente carregar baterias não recarregáveis.
- ◆ Se o cabo de alimentação estiver danificado, terá de ser substituído pelo fabricante ou por um Centro de Assistência autorizado da BLACK+DECKER, de modo a evitar situações de perigo.
- ◆ Não exponha o carregador à água.
- ◆ Não abra o carregador.
- ◆ Não perfure o carregador.
- ◆ O aparelho/bateria deve ser colocado numa área com boa ventilação durante o carregamento.

## Rótulos do aparelho

O aparelho apresenta os seguintes símbolos juntamente com o código de data



Leia cuidadosamente o manual completo antes de utilizar este aparelho



Utilize apenas com o carregador S010Q 23/SSC-230040XX

## Componentes

Esta ferramenta inclui algumas ou todas as características seguintes.

1. Interruptor para ligar/desligar
2. Punho
- 2a. Alça de transporte
3. Pega/vara
- 3a. Porta do tubo flexível
- 3b. Patilha da extensão do tubo
4. Boquilha de extracção extensível
5. Aspirador portátil
- 5a. Depósito de poeiras
6. Tampa do depósito de poeiras
7. Base de carga
- 7a. Suporte de acessórios
8. Dobradiça da tampa do depósito de poeiras
9. Acoplamento do tubo
10. Tubo flexível
11. Botão de desbloqueio da pega/vara
12. Chassis
- 12a. Indicador luminoso
13. Compartimento do tubo do chassis
14. Cabeça para chão
15. Ferramenta de acessórios 3 em 1
16. Boquilha de extracção para animais de estimação (apenas no modelo CUA525BHP)
17. Ferramenta de escova comprida (apenas CUA525BHA)
- 22a. Disco ambientador (apenas no modelo CUA525BHP)

## Segurança eléctrica

### Símbolos no carregador



Leia cuidadosamente o manual completo antes de utilizar este aparelho.

## Utilização

### Ligar e desligar (Fig. A)

- ◆ Para ligar, prima o interruptor de ligar/desligar (1).
- ◆ A unidade é iniciada com uma definição de desempenho médio. O desempenho pode ser ajustado com o botão deslizante (J2), esquerda = mín., direita = máx. (visto de frente).
- ◆ Para desligar, prima o interruptor de ligar/desligar (1).

**Nota:** Utilize a unidade no modo de velocidade elevada com a escova rotativa ligada para o tapete. Utilize a unidade no modo de velocidade reduzida com a escova rotativa desligada para limpar madeira dura ou soalhos laminados.





**Nota:** A unidade tem um modo "de espera" intuitivo que permite memorizar as últimas definições aplicadas durante alguns minutos após o arranque.



**Nota:** Se deixar o aparelho sem assistência quando estiver a ser utilizado, posicione a unidade na vertical, de maneira a que qualquer inadvertida entre uma parede ou canto e afastado de pessoas e animais.

### Painel de controlo (Fig. J)

A unidade está equipada com um painel de controlo tecnológico inteligente, que inclui a tecnologia de sensor inteligente para uma experiência de limpeza mais intuitiva.

As funcionalidades integradas são:


<p><b>J1 Botão tátil SENSOR DO PISO</b> A tecnologia do sensor de piso inteligente aumenta a aspiração em tapetes e muda para o Modo económico para tarefas mais ligeiras, como, por exemplo, a limpeza de pisos duros, otimizando assim o tempo de funcionamento da bateria. Esta funcionalidade está ativa quando o LED (J1a) está aceso. Para maximizar o tempo de funcionamento em todas as superfícies, toque na área (J1) para ativar esta funcionalidade.</p>

<p><b>J2 Botão deslizante tátil Controlo de alimentação</b> O painel do botão tátil permite controlar o nível de potência fornecido à unidade, desde o valor mínimo ao máximo, deslizando o dedo nesta área.</p>

<p><b>J3 Botão tátil da escova rotativa</b> Permite-lhe ligar e desligar a função de escova rotativa.</p>

<p><b>J4 Indicador de potência</b> Permite controlar o nível de potência utilizada.</p>


<p><b>J5 Indicador do SENSOR BATERIA</b> O indicador LED da bateria mostra a carga restante e avisa-o quando a carga restante é fraca. O LED final pisca de maneira contínua quando resta apenas 1 minuto de tempo de funcionamento. Todos os LED piscam quando a unidade está descarregada.</p>

<p><b>J6 SENSOR DO FILTRO</b> A tecnologia do sensor inteligente deteta automaticamente (o símbolo acende-se a vermelho) quando o filtro está obstruído e tem de ser limpo.</p>

**Nota:** O LED **SENSOR DO FILTRO** fica intermitente e a unidade desliga-se automaticamente se houver alguma obstrução no tubo flexível ou nos filtros, o que causa o sobreaquecimento do motor. Desligue e retire a obstrução de imediato.

### Utilizar a pega/vara (Fig. B, C, D, E)

- ◆ Prima o botão de desbloqueio da pega/vara (11) para libertar a pega/vara (3) do chassis (12).
- ◆ Liberte o acoplamento do tubo (9) do compartimento do tubo do chassis (13), como indicado na Figura B.
- ◆ Prima o botão de libertação do chassis (12b) para libertar o aspirador portátil (5) do chassis (12), como indicado na Figura C.
- ◆ Ligue o acoplamento do tubo (9) ao porta do tubo flexível (3a), certificando-se de que a patilha (9a) encaixa com firmeza no local pretendido, como indicado na Figura D.
- ◆ Estique a boquilha de extracção (4), como indicado na Figura E, até encaixar no respetivo local.
- ◆ Para recolher a boquilha de extracção (4) prima o botão da patilha da extensão do tubo (3b) para que volte para a posição normal.

### Utilizar a ferramenta de acessórios 3 em 1 (Fig. F)

- ◆ A pega/vara 3 em 1 (15) tem três configurações.
  1. Modo de escova.
  2. Modo de boquilha pequena.
  3. Modo Estofos.
- ◆ A pega/vara 3 em 1 pode ser inserida directamente no acoplamento do tubo 9 ou na boquilha de extracção extensível (4), como indicado na Figura F.

### Remover e limpar as escovas rotativas (Fig. G, H)

- ◆ Para remover a cassete das escovas rotativas (14a) da cabeça para chão (14), pressione o botão de libertação (14b), como indicado na Figura G.
- ◆ A escova rotativa (18) pode ser removida.

Os terminais também podem ser removidos, para que possa limpar quaisquer pelos ou resíduos acumulados, como indicado na Figura H.

**Nota:** Se um objecto ficar preso na escova rotativa, esta pára automaticamente. Desligue a unidade, retire o objecto e continue a utilizar o aspirador.

**Nota:** A unidade CUA525BHP é fornecida com uma escova rotativa para animais de estimação (18a) especializada para a limpeza de pelos de animais, etc.

### Carregamento (Fig. I)

- ◆ Coloque o aparelho na base de carga (7), como indicado na Figura I.
- ◆ Ligue a base de carga (7) numa tomada eléctrica.
- ◆ Ligue a tomada eléctrica. O indicador de carga LED pisca e a intensidade vai aumentando nas secções.  
Os LED apagam-se quando a unidade estiver totalmente carregada.
- ◆ O aparelho deve ser carregado durante 6 horas.

**Nota:** A base de carga é fornecida com 2 parafusos e tomadas de parede para fixá-lo a uma parede, proporcionando uma maior estabilidade, como indicado na Figura I.

Padrões do LED do sensor da bateria	
	Falha da bateria (todos os LED)
	Falha do carregador (todos os LED)
	Falha da bateria (todos os LED)

### Diagnóstico da bateria

Se o aparelho detectar uma bateria fraca ou danificada, o indicador de carga começa a piscar rapidamente quando o botão de alimentação for premido. Proceda da seguinte forma:

- ◆ Ligue o carregador. Ligue a unidade à rede eléctrica.
- ◆ Deixe o aparelho a carregar.

Se o aparelho detectar uma bateria danificada, o indicador de carga começa a piscar rapidamente quando o aparelho estiver na base de carga. Proceda da seguinte forma:

- ◆ Leve o dispositivo e o carregador para serem testados num centro de assistência autorizado.

**Nota:** Determinar se a bateria está defeituosa pode demorar até 60 minutos. Se a bateria estiver demasiado quente ou demasiado fria, o LED fica no modo intermitente rápido ou lento alternado, piscando uma vez a cada velocidade e repete o processo.

### Esvaziar o depósito de poeiras (Fig. K, L, N)

- ◆ Enquanto segura a unidade sobre um recipiente de resíduos adequado, prima o botão de libertação de desbloqueio do depósito de poeiras (6a) para retirar a tampa do depósito de poeiras (6), como indicado na Figura K.
- ◆ Empurre a pega de compressão (19) para baixo para esvaziar o conteúdo do depósito de poeiras (5a), como indicado na Figura L.

### Compactar o conteúdo do depósito de poeiras (Fig. M, N)

- ◆ Com a tampa do depósito de poeiras (6) fechada, empurre a pega de compressão para baixo para compactar o conteúdo do depósito de poeiras (5a) para maximizar a recolha de poeiras, como indicado na Figura N.
- N1 = Antes da compressão. N2 = Depois da compressão.**

### Libertação do depósito de poeiras (Fig. O, P)

**Nota:** O depósito de poeiras pode ser libertado a partir da unidade da quando está no modo de chassis, como indicado na Figura O, ou quando está a ser utilizado no modo de recipiente amovível, como indicado na Figura P.

- ◆ Prima a alavanca de libertação de desbloqueio do depósito de poeiras (20) para baixo para libertar o depósito de poeiras.
- ◆ Solte o depósito de poeiras (5a) do recipiente amovível (5).
- ◆ Enquanto utiliza a pega do depósito de poeiras (21) e segura a unidade sobre um recipiente de resíduos adequado, prima o botão de libertação do depósito de poeiras (6a) para libertar a tampa do depósito de poeiras (6) e empurre a pega de compressão (19) para baixo para esvaziar o conteúdo do depósito de poeiras (5a), como indicado na Figura Q.

### Limpar os filtros do depósito de poeiras (Fig. R, S, T)

- ◆ Prima a alavanca de libertação de desbloqueio do depósito de poeiras (20) para baixo para libertar o depósito de poeiras, como indicado na Figura O.
- ◆ Levante o conjunto do filtro (22) do depósito de poeiras (5a), rodando-o para a esquerda, como indicado na Figura R.

**Nota:** O pré-filtro da unidade CUA525BHP é fornecido com um disco ambientador numa folha de embalagem (22a) que pode ser colocada para conferir um aroma agradável, que é libertado quando o aparelho está a ser utilizado.

- ◆ O filtro (23) pode ser removido do pré-filtro (22), como indicado na Figura T.

- ◆ O depósito de poeiras pode ser dividido em duas partes, (5b) e (5c), para obter uma limpeza mais rigorosa, como indicado na Figura S.
- ◆ Lave o depósito de poeiras com água morna com sabão.
- ◆ Lave os filtros em água morna com sabão (Fig. W, X).
- ◆ Certifique-se de que os filtros estão secos
- ◆ Volte a colocar os filtros no aparelho e certifique-se de que estão encaixados correctamente.
- ◆ Feche o depósito de poeiras (5a). Volte a ligar o recipiente amovível garantindo que a patilha de libertação (20) encaixa no respetivo local.

### Limpeza dos filtros de escape do aspirador portátil (Fig. U, V)

- ◆ Retire o painel de acesso do filtro (23), expondo a câmara do filtro (25).
- ◆ O filtro (24) pode ser removido para limpeza.

**Nota:** A unidade CUA525BHA está equipada com um filtro HEPA (26) para ajudá-lo a proteger-se de alergias.

- ◆ Pode lavar os tipos de filtros com água com sabão morna (Fig. W, X).

### Alça de transporte (Fig. Y)

É fornecida uma alça de transporte (2a) para facilitar a utilização do aspirador portátil. Pode ser facilmente fixado na vara (2) com um fecho de velcro, como indicado na Figura Y.

### Manutenção

**Atenção!** Antes de executar qualquer manutenção ou limpeza no aparelho, desligue-o.

De vez em quando, limpe o aparelho com um pano húmido. Não utilize produtos de limpeza abrasivos ou à base de dissolventes. Não mergulhe o aparelho em água.

Este aparelho BLACK+DECKER sem fio foi concebido para funcionar durante um longo período de tempo com uma manutenção mínima. Uma utilização continuamente satisfatória depende de uma manutenção apropriada da ferramenta e de uma limpeza regular.

**Atenção!** Antes de executar qualquer manutenção em aparelhos sem fio:

- ◆ Desligue o carregador antes de o limpar. O seu carregador não necessita de manutenção para além da limpeza regular.
- ◆ Limpe regularmente as aberturas de ventilação do aparelho/carregador com uma escova suave ou um pano seco.
- ◆ Limpe regularmente o compartimento do motor com um pano húmido. Não utilize produtos de limpeza abrasivos ou à base de dissolventes.

### Substituição dos filtros

Os filtros deverão ser substituídos a cada 6 a 9 meses e sempre que estiverem gastos ou danificados. Os filtros para substituição estão disponíveis junto do seu revendedor BLACK+DECKER.

<b>CUABF10</b> - Conjunto de filtros padrão	Filtro de pregas + escape de espuma
<b>CUAHF10</b> - Conjunto HEPA	Filtro de pregas HEPA + escape HEPA

### Aviso sobre os discos ambientadores.



#### Fragrância de meio-linho.

Lave bem o rosto, as mãos e qualquer parte exposta da pele depois de utilizar o equipamento. Use luvas de proteção/vestuário de proteção/proteção ocular/proteção facial. Se entrar em contacto com os olhos:

Enxague com cuidado com água durante alguns minutos. Retire as lentes, se as usar e fá-las retirá-las. Continue a enxaguar. Se ocorrer irritação da pele: Consulte um médico. Evite a libertação no ambiente. Não ingerir.

- ◆ Retire os filtros usados, como indicado acima.
- ◆ Coloque os filtros novos, como indicado acima.

### Proteção do ambiente



Faça uma recolha de lixo seletiva. Os produtos e as pilhas assinaladas com este símbolo não devem ser eliminados juntamente com o lixo doméstico normal.

Os produtos e as pilhas contêm materiais que podem ser recuperados ou reciclados, reduzindo assim a necessidade de matérias-primas.

Recicle os produtos eléctricos e as pilhas de acordo com as disposições locais. Estão disponíveis mais informações em [www.2helpU.com](http://www.2helpU.com)

### Dados técnicos

		CUA525BH	CUA525BHP	CUA525BHA
Tensão	V	18	18	18
Watts/horas	Wh	45	45	45
Peso	Kg	3,85	3,85	3,85

### Garantia

A Black & Decker confia na qualidade dos seus produtos e oferece aos clientes uma garantia de 24 meses a partir da data de compra. Esta garantia é um complemento dos seus direitos estabelecidos por lei, não os prejudicando de forma alguma. A garantia é válida nos Estados-membros da União Europeia e nos países-membros da Zona Europeia de Comércio Livre.

Para acionar a garantia, esta deve estar em conformidade com os termos e condições da Black & Decker e terá de apresentar comprovativos de compra ao vendedor ou a um agente de reparação autorizado.

Os termos e condições da garantia de 2 anos da Black & Decker e a localização do agente de reparação autorizado mais próximo podem ser obtidos na Internet em [www.2helpU.com](http://www.2helpU.com) ou contactando uma filial da Black & Decker, cuja morada está indicada neste manual.

Visite o nosso Website [www.blackanddecker.co.uk](http://www.blackanddecker.co.uk) para registar o novo produto Black & Decker e manter-se atualizado relativamente a novos produtos e ofertas especiais.

## SVENSKA

(Översättning av originalanvisningarna)

**Avsedd användning**

Din BLACK+DECKER CUA525BH, CUA525BHP och CUA525BHA multieffekt dammsugare är avsedda för dammsugning. Dessa apparater är endast avsedd för hemmabruk.



Läs hela den här bruksanvisningen noggrant innan du börjar använda apparaten.

**Säkerhetsinstruktioner**

**Varning!** Läs alla säkerhetsvarningar och alla instruktioner. Fel som uppstår till följd av att varningarna och instruktionerna som listas nedan inte följts kan orsaka elstötar, brand och/eller allvarliga kroppsskador.

- ◆ Avsedd användning beskrivs i denna bruksanvisning. Använd inte apparaten med andra tillbehör eller tillsatser än de som rekommenderas i den här bruksanvisningen eftersom detta kan leda till personskador.
- ◆ Spara den här bruksanvisningen för framtida referens.

**Använda apparaten**

- ◆ Använd inte apparaten för att suga upp vätskor eller material som kan fatta eld.
- ◆ Använd inte apparaten i närheten av vatten.
- ◆ Sänk aldrig apparaten i vatten.
- ◆ Dra aldrig i sladden till laddaren när du drar ut den från vägguttaget. Håll sladden till laddaren borta från värme, olja och vassa kanter.
- ◆ Denna apparat kan användas av barn från 8 år och personer med nedsatt fysisk eller psykisk förmåga eller bristande erfarenhet eller kunskap, om de övervakas eller får instruktioner om hur apparaten används på ett säkert sätt och är medvetna om riskerna. Barn ska inte leka med apparaten. Rengöring och användarunderhåll ska inte utföras av barn utan övervakning.

**Kontroll och reparationer**

Kontrollera att apparaten inte är skadad eller har defekta delar. Kontrollera att inga delar är trasiga, att strömbrytaren fungerar och att inget annat föreligger som kan påverka dess funktion.

- ◆ Använd inte apparaten om någon del har skadats eller gått sönder.
- ◆ Låt en auktoriserad reparatör reparera eller byta ut skadade eller defekta delar.
- ◆ Kontrollera regelbundet att sladden till laddaren inte har skadats. Byt ut laddaren om sladden är skadad eller trasig.

- ◆ Försök aldrig ta bort eller byta ut andra delar än de som anges i den här bruksanvisningen.

## Ytterligare säkerhetsinstruktioner

### Efter användning

- ◆ Koppla ifrån laddaren innan laddaren eller laddningsbasen rengörs.
- ◆ När apparaten inte används ska den förvaras fulladdad på en torr plats.
- ◆ Barn ska inte ha tillgång till apparater under förvaring.

### Återstående risker

Ytterligare risker som inte finns med i de bifogade säkerhetsanvisningarna kan uppstå när verktyget används.

Dessa risker kan uppstå vid felaktig eller långvarig användning, etc.

Även om alla relevanta säkerhetsanvisningar följs och säkerhetsanordningar används kan vissa ytterligare risker inte undvikas.

Dessa omfattar:

- ◆ Skador orsakade av att roterande/rörliga delar vidrörs.
- ◆ Skador som uppstår vid byte av delar, klinga eller tillbehör.
- ◆ Skador som orsakas av långvarig användning av ett verktyg. Se till att regelbundet ta vilopauser när du använder ett verktyg under en längre period.
- ◆ Hörselnedsättning.
- ◆ Hälsorisker orsakade av inandning av damm när redskapet används (exempel: arbete med trä, särskilt ek, bok och MDF.)

## Laddare

Laddaren är avsedd för en viss spänning. Kontrollera alltid att nätspänningen överensstämmer med spänningen på typskylten.

**Varning!** Försök aldrig byta ut laddaren mot en vanlig nätkontakt.

- ◆ Använd endast din BLACK+DECKER laddare för att ladda batteriet i den apparat som den levererades med. Andra batterier kan spricka och orsaka personskador och andra skador.
- ◆ Försök aldrig att ladda ej uppladdningsbara batterier.
- ◆ Om nätsladden är skadad, måste den för att undvika risker, bytas ut av tillverkaren eller en auktoriserad BLACK+DECKER-verkstad.
- ◆ Utsätt inte laddaren för vatten.
- ◆ Öppna inte laddaren.
- ◆ Gör ingen åverkan på laddaren.
- ◆ Apparaten/batteriet ska placeras på en plats med god ventilation vid laddning.

## Elsäkerhet

### Symboler på laddaren



Läs hela den här bruksanvisningen noggrant innan du använder apparaten.



Detta verktyg är dubbelt isolerat; av den orsaken krävs ingen jordledning. Kontrollera alltid att spänningen på nätet motsvarar den spänning som finns angiven på märkplåten.



Laddaren är endast avsedd för användning inomhus.

### Etiketter på apparaten

Följande symboler finns på denna apparat tillsammans med datumkoden



Läs hela den här bruksanvisningen noggrant innan du använder apparaten



Använd endast med laddare S010Q 23/ SSC-230040XX

## Funktioner

Detta verktyg har några eller samtliga av följande funktioner.

1. Strömbrytare
2. Handtag
- 2a. Bärrem
3. Handtag/stav
- 3a. Uttag flexibelt rör
- 3b. Hake förlängningsrör
4. Expanderbart elementmunstycke
5. Handhållen damm
- 5a. Dammbehållare
6. Lucka dammbehållare
7. Laddningsbas
- 7a. Tillbehörshållare
8. Luckgångjärn dammbehållare
9. Slanganslutning
10. Flexibel slang
11. Låsknapp handtag/skaft
12. Hölje
- 12a. Ljus
13. Höljets slangöppning
14. Golvmunstycke
15. 3-i-1 tillbehörsverktyg
16. Elementmunstycke för husdjur (endast CUA525BHP)
17. Långt borstmunstycke (endast CUA525BHA)
- 22a. Doftskiva (endast CUA525BHP)

## Användning

### Påslagning och avstängning (bild A)

- ◆ Slå på genom att trycka in strömbrytaren (1).
- ◆ Enheten startar i inställningsläget mellanprestanda. Effekten kan justeras med hjälp av strömreglering (J2) vänster = min höger = max (ses vid användning ovanifrån).
- ◆ Stäng av genom att trycka in strömbrytaren (1).

**Notera:** Använd enheten i höghastighetsläge med roterande borste för matta påslagen. Använd enheten i låghastighetsläge med roterande borste för matta avstängd.

**Notera:** Enheten har ett intuitivt "standbyläge" som gör att den kommer ihåg senaste inställningen under fem minuter vid start.

**Notera:** Om apparaten lämnas medan den används, placera den i upprätt stående enheten på så sätt att om den faller oavsiktligt sker det mot en vägg eller ett hörn och bort från personer och husdjur.

## Kontrollpanel (bild J)

Enheten är utrustad med en smarttech kontrollpanel som har intelligent sensorteknologi för en mer intuitiv rengöringsupplevelse.

De inkorporerade funktionerna är:

<p><b>J1 FLOORSENSOR</b> Touchknapp Intelligent golvsensorteknologi ökar suget på mattor och byter till ekonomiskt läge för lättare uppgifter, såsom rengöring av hårda golv såsom optimerar batteridriftiden, denna funktion är aktiv när LED (J1a) lyser. För att maximera körtiden på alla ytor, stäng av denna funktion genom touchområdet (J1).</p>
<p><b>J2 Strömknapp</b> touchglidkontakt Touchpanelknappen låter dig kontrollera enhetens effektivitet från minimum till maximum genom att glida med fingret längs med detta område.</p>
<p><b>J3 Roterande borste</b> touchknapp Låter dig slå på och stänga av borstfunktionen.</p>
<p><b>J4 Strömindikator</b> Låter dig övervaka strömnivån som används.</p>
<p><b>J5 BATTERISENSOR</b> indikator LED-batteriindikatorn visar kvarvarande laddning och varnar när batteriet är svagt. Den sista LED kommer att blinka kontinuerligt när det endast är en minuts körtid kvar. Alla LED kommer att blinka när enheten är urladdad.</p>
<p><b>J6 FILTERSENSOR</b> Smart sensorteknologi upptäcker automatiskt (symbolen lyser röd) när filtret är igensatt och behöver rengöras.</p>

**Notera:** FILTERSENSOR LED kommer att blinka och enheten kommer automatiskt att stängas av när det är något hinder i den flexibla slangen eller filtren som kan göra att motorn överhettas. Koppla ifrån och ta bort blockeringen omedelbart.

### Använda handtaget/skaftet (bild B, C, D, E)

- ◆ Tryck på handtagets/skaftets låsknapp (11) för att frigöra handtaget/röret (3) från höljet (12).
- ◆ Lossa slanganslutningen (9) från höljets uttag (13) såsom visas i bild B.



- Tryck på höljets låsknapp (12b) för att lossa och lyfta bort dammsugarbehållaren (5) från höljet (12) såsom visas i bild C.
- Anslut slanganslutningen (9) till den flexibla rörporten (3a) så att låset (9a) klickar säkert på plats som visas i figur D.
- Dra ut elementmunstycket (4) såsom visas i bild E, tills det klickar på plats.
- För att skjuta in elementmunstycket (4) tryck på förlängningsrörets hake (3b) så att det återgår till sin normala position..

### Använda 3-i-1 tillbehörsverktyget (bild F)

- 3-i-1 handtaget/skaffet (15) har tre konfigurationer.
  1. Borstläge.
  2. Litet elementmunstycks läge.
  3. Stoppningsläge.
- 3-i-1-handtaget kan monteras antingen direkt på slanganslutningen 9 eller på det utdragbara elementmunstycket (4) som visas i bild F.

### Borttagning av den roterande borsten

#### (bild G, H)

- För att ta bort den roterande borstenhetens kassett (14a) från golvhuvudet (14) tryck ned låsknappen (14b) såsom visas i bild G.
- Den roterande borsten (18) kan nu tas bort. Ändelarna kan också tas bort för rengöring av borstarna från hår och annat skräp som har ackumulerats såsom visas i bild H.

**Notera:** Om ett föremål fastnar i den roterande borsten stannar den automatiskt. Stäng av apparaten, ta bort föremålet och fortsätt.

**Notera:** CUA525BHP-enheten levereras med en specialanpassad roterande borste för husdjur (18a) före rengöring av husdjurshår etc.

### Laddning (bild I)

- Placera apparaten i laddningsbasen (7) såsom visas i bild I.
- Anslut laddningsuttaget (7) till ett elektriskt uttag.
- Slå på eluttaget. LED-laddningsindikatorn börjar blinka och ökar sektionvis. LED-slocknar när full laddning uppnåtts.
- Apparaten måste laddas i 6 timmar.

**Notera:** Laddningsbasen levereras med 2 skruvar och väggpluggar för montering på väggen, vilket ger extra stabilitet såsom visas i bild I.

### Batteridiagnostik

Om apparaten upptäcker ett svagt batteri börjar laddningsindikatorn att blinka snabbt när strömbrytaren trycks ned. Gör så här:

- Anslut laddaren. Slå på vid eluttaget.
- Låt apparaten laddas.

Om apparaten upptäcker ett skadat batteri börjar laddningsindikatorn att blinka snabbt när apparaten laddas. Gör så här:

- Ta med apparaten och laddaren till ett auktoriserat servicecenter för test.

**Notera:** Det kan ta upp till 60 minuter att avgöra om batteriet är defekt. Om batteriet är för varmt eller för kallt blinkar LED-indikatorn omväxlande snabbt och långsamt med en blinkning i varje hastighet.

### Tömma dammbehållaren (bild K, L, N)

- Håll enheten över en lämplig skräpbehållare, tryck på dammbehållarens låsknapp (6a) för att lossa dammbehållarens lock (6) såsom visas i bild K.
- Skjut packningshandtaget (19) nedåt för att tömma innehållet i dammbehållaren (5a) såsom visas i bild L.

### Packa innehållet i dammbehållaren (bild M, N)

- Håll dammbehållarens lock (6) stängt, skjut packningshandtaget nedåt för att packa ihop innehållet i dammbehållaren (5a) och därmed öka dess kapacitet såsom visas i bild N.

**N1 = Innan packning. N2 = Efter packning.**

### Lossa dammbehållaren (bild O, P)

**Notera:** Dammbehållaren kan lossas antingen från enheten när den är i höljeläget såsom visas i bild O, eller när den används i läget med bortlyftbara dammsugarbehållaren såsom visas i bild P.

- Tryck på låsknappen för dammbehållaren (20) och lyft ut dammbehållaren.
- Frigör dammbehållaren (5a) från den bortlyftbara dammsugarbehållaren (5).
- Använd dammbehållarhandtaget (21) och håll enheten över en lämplig skräpbehållare och tryck på behållarens låsknapp (6a) för att lossa dammbehållarens lock (6) och skjut packningshandtaget (19) nedåt för att tömma innehållet i dammbehållaren (5a) såsom visas i bild Q.

### Rengöra dammbehållarens filter (bild R, S, T)

- Tryck ned dammbehållarens låsspak (20) för att lossa dammbehållaren såsom visas i bild O.
- Lyft bort filtermontaget (22) från dammbehållaren (5a) genom att vrida det moturs såsom visas i bild R.

**Notera:** CUA525BHP-enhetens förfilter levereras med en doftskiva i ett folieomslag (22a) som kan fästas så att en behaglig lukt kan släppas när apparaten används.

#### Batterisensor LED-mönster



Batterifel (alla LED)



Laddarfel (alla LED)



Batteri hett (alla LED)

- ◆ Filtrret (23) kan nu tas bort från förfiltret (22) bild T.
- ◆ Dammbehållaren kan delas i två delar, (5b) och (5c), för en mer grundlig rengöring såsom visas i bild S.
- ◆ Skölj dammbehållaren med varmt såpvatten.
- ◆ Rengör filtren med varmt såpvatten (bild W, X).
- ◆ Se till att filtren är torra
- ◆ Sätt tillbaka filtren i apparaten och se till att de sitter korrekt monterade.
- ◆ Stäng dammbehållaren (5a). Återanslut till den bortlyftbara dammsugarbehållaren till att låshakarna (20) klickar på plats.

## Rengöring av den handhållna dammsugarbehållarens filter (bild U, V)

- ◆ Lyft bort filtrens åtkomstpanel (23) för att visa filterkammaren (25).
- ◆ Filtrret (24) kan nu tas bort för rengöring.

**Notera:** CUA525BHA-enheten är utrustad med ett HEPA-filter (26) som hjälp för skydd mot allergier.

- ◆ Båda typerna av filter kan rengöras med varmt såpvatten (bild W, X).

## Bärrem (bild Y)

En bärrrem (2a) medföljer för att möjliggöra enklare användning av dammsugaren. Denna kan enkelt anslutas till handtaget (2) via ett kardborreband som visas i bild Y.

## Underhåll

**Varning!** Dra ut elsladden innan du utför underhåll på eller rengör apparaten.

Torka av apparaten med en fuktig trasa ibland. Använd aldrig något slipande eller lösningsmedelsbaserat rengöringsmedel. Doppa aldrig ned apparaten i vatten.

Den här sladdlösa BLACK+DECKER-apparaten har konstruerats för att fungera under lång tid med minsta möjliga underhåll. Kontinuerlig tillfredsställande drift beror på ordentlig verktygsvård och regelbunden rengöring.

**Varning!** Innan du utför underhåll på apparater utan sladd:

- ◆ Dra ur sladden till laddaren innan du rengör den. Laddaren behöver inget annat underhåll än regelbunden rengöring.
- ◆ Rengör regelbundet apparatens/laddarens luftintag med en mjuk borste eller torr trasa.
- ◆ Rengör motorkåpan regelbundet med en fuktig trasa. Använd aldrig något slipande eller lösningsmedelsbaserat rengöringsmedel.

## Byta filtren

Filtren bör bytas ut var sjätte till nionde månad eller om de är utslitna eller trasiga. Utbytesfilter finns att köpa hos din BLACK+DECKER-återförsäljare.

CUAHF10 - HEPA-kit	HEPA plisserat filter + HEPA avgas
--------------------	------------------------------------

## Varning för parfymade skivor.



### Doftande bomullsväv.

Tvätta ansiktet, händerna och all exponerad hud noga efter hanteringen. Använd skyddshandskar/skyddskläder/fögonskydd/ansiktsskydd. Om det kommer i ögonen:

Skölj noga med vatten i flera minuter. Ta bort kontaktlinser om sådana används och lätt kan göras. Fortsätt att skölja. Om hudirritation uppstår: Sök medicinsk rådgivning/vård. Undvik utsläpp i naturen. Svälj inte.

- ◆ Ta loss de gamla filtren enligt beskrivningen ovan.
- ◆ Montera de nya filtren enligt beskrivningen ovan.

## Skydda miljön



Separat insamling. Produkter och batterier som är markerade med denna symbol får inte kastas i de vanliga hushållssoptorna.

Produkter och batterier innehåller material som kan återanvändas eller återvinnas för att minska behovet av råmaterial.

Återvinn elektriska produkter och batterier enligt lokala bestämmelser. Närmare information finns tillgänglig på [www.2helpU.com](http://www.2helpU.com)

## Tekniska data

		CUA525BH	CUA525BHP	CUA525BHA
Spänning	V	18	18	18
Watt-timmar	Wh	45	45	45
Vikt	Kg	3.85	3.85	3.85

## Garanti

Black & Decker är säker på kvaliteten hos denna produkt och erbjuder kunder 24 månaders garanti från inköpsdatumet. Garantin gäller utöver konsumentens rättigheter enligt lag och påverkar inte dessa. Garantin är giltig i de områden som tillhör medlemsstaterna i Europeiska unionen och det europeiska frihandelsområdet.

För yrkande under garantin måste yrkandet vara in enlighet med Black & Deckers villkor och du kommer att behöva skicka in bevis på köpet till försäljaren eller en auktoriserad reparatör. Villkoren för Black & Deckers tvååriga garanti och var du hittar din närmaste auktoriserade reparatör kan erhållas på Internet på [www.2helpU.com](http://www.2helpU.com), eller genom att kontakta ditt lokala Black & Decker kontor på adressen som angetts i denna bruksanvisning.

Besök vår webbplats [www.blackanddecker.se](http://www.blackanddecker.se) för att registrera din nya Black & Decker-produkt samt för att få information om nya produkter och specialerbjudanden.

CUABF10 - Standard filtersats	Plisserat filter + skumavgas
-------------------------------	------------------------------

## Tiltenkt bruk

BLACK+DECKER CUA525BH, CUA525BHP og CUA525BHA multistrøm støvsugere er designet for støvsuging. Disse apparatene er bare beregnet for bruk i hjemmet.



Les hele denne håndboken nøye før du bruker apparatet.

## Sikkerhetsinstruksjoner



**Advarsel!** Les alle sikkerhetsadvarsler og alle instruksjoner. Hvis advarslene og anvisningene nedenfor ikke overholdes, kan det medføre elektrisk støt, brann og/eller alvorlige personskader.

- ◆ Beregnet bruk er beskrevet i denne bruksanvisningen. Hvis du bruker annet tilbehør, kobler til annet utstyr eller bruker dette apparatet til andre oppgaver enn det som er anbefalt i denne håndboken, kan det føre til fare for personskade.
- ◆ Ta vare på denne bruksanvisningen for fremtidig bruk.

## Bruke produktet

- ◆ Ikke bruk apparatet til å suge opp væske eller materialer som kan ta fyr.
- ◆ Ikke bruk apparatet i nærheten av vann.
- ◆ Ikke senk apparatet ned i vann.
- ◆ Ikke dra i ledningen når du skal fjerne laderen fra stikkontakten. Hold ledningen til laderen borte fra varmekilder, olje og skarpe kanter.

- ◆ Dette apparatet kan brukes av barn som er 8 år eller eldre samt av personer som har reduserte fysiske, sansemessige eller mentale evner, eller som mangler erfaring og kunnskap, hvis de har tilsyn eller har fått veiledning i bruk av apparatet på en trygg måte og forstår farene som foreligger. Barn skal ikke leke med apparatet. Rengjøring og brukervedlikehold skal ikke utføres av barn uten tilsyn.

## Kontroll og reparasjon

Kontroller at apparatet ikke er skadet eller har defekte deler før du bruker det. Undersøk om brytere eller andre deler er skadet, eller om det er andre forhold som kan påvirke bruken.

- ◆ Ikke bruk produktet hvis noen del er skadet eller defekt.
- ◆ Overlat reparasjon eller utskifting av skadde eller defekte deler til et autorisert serviceverksted.
- ◆ Kontroller jevnlig om ledningen til laderen er skadet. Skift ut laderen hvis ledningen er skadet eller defekt.
- ◆ Forsøk aldri å fjerne eller skifte ut andre deler enn dem som er oppgitt i denne håndboken.

## Ytterligere sikkerhetsinstruksjoner

### Etter bruk

- ◆ Ta ut støpselet til laderen før du rengjør laderen eller ladesokkelen.

- ◆ Når produktet ikke er i bruk, skal det oppbevares fullt oppladet på et tørt sted.
- ◆ Barn skal ikke ha tilgang til apparater som oppbevares.

## Restrisikoer

Når verktøyet brukes, kan det oppstå ytterligere risikoer som kanskje ikke er beskrevet i de medfølgende sikkerhetsadvarslene. Disse risikoene kan bli forårsaket av feil bruk, langvarig bruk osv.

Selv om de relevante sikkerhetsbestemmelsene blir fulgt, og sikkerhetstiltakene blir gjennomført, kan visse gjenværende risikoer ikke unngås.

Disse inkluderer:

- ◆ Personskader som forårsakes av berøring av en roterende/bevegelig del.
- ◆ Personskader som oppstår ved skifte av deler, blader eller tilbehør.
- ◆ Personskader som skyldes for lang tids bruk av verktøyet. Når du bruker et verktøy i lange perioder, må du sørge for å ta regelmessige pauser.
- ◆ Hørselskader.
- ◆ Helsefarer forårsaket av innånding av støv som utvikler seg når du bruker verktøyet (eksempel: Arbeid med tre, spesielt eik, bøk og MDF.)

## Ladere

Ladere er konstruert for en bestemt spenning. Kontroller alltid at nettspenningen er i overensstemmelse med spenningen på typeskiltet.

**Advarsel!** Ikke skift ut laderen med et vanlig nettstøpsel.

- ◆ Bruk bare BLACK+DECKER-ladere til å lade batteriet i apparatet som laderen ble levert sammen med. Andre batterier kan sprekke og føre til personskade og materiell skade.
- ◆ Prøv aldri å lade ikke-oppladbare batterier.
- ◆ Hvis strømledningen blir skadet, må den byttes av produsenten eller et autorisert BLACK+DECKER-servicesenter for å unngå fare.
- ◆ Ikke utsett laderen for vann.
- ◆ Ikke åpne laderen.
- ◆ Ikke stikk gjenstander eller fingre inn i laderen.
- ◆ Apparatet, verktøyet eller batteriet må plasseres på et sted med god gjennomlufting under ladning.

## Elektrisk sikkerhet

### Symboler på laderen



Les hele denne håndboken nøye før du bruker produktet.



Dette verktøyet er dobbeltisolert. Jording er derfor ikke nødvendig. Kontroller alltid at strømforsyningen samsvarer med spenningen på merkeskiltet.



Ladeenheten er bare beregnet for bruk innendørs.

### Produktmerking

Følgende symboler vises på apparatet sammen med datokoden



Les hele denne håndboken nøye før du bruker produktet



Brukes kun med laderen S010Q 23 / SSC-230040XX

## Funksjoner

Dette verktøyet har noen av eller alle følgende egenskaper.

1. På/av-bryter
2. Håndtak
- 2a. Bærestropp
3. Håndtak / stav
- 3a. Fleksibel slangeport
- 3b. Slangeforlengerlås
4. Forlengbart sugestykke
5. Håndholdt støvsuger
- 5a. Støvbeholder
6. Støvsopsamler lokk
7. Ladeenhet
- 7a. Tilbehørsholder
8. Støvsopsamler lokkhengsel
9. Slangekobling
10. Fleksibel slange
11. Håndtak / Utløserknapp
12. Hus
- 12a. Lys
13. Chassis slangeport
14. Gulvmunnestykke
15. 3-i-1 tilbehørsverktøy
16. Husdyr-sugestykke (bare CUA525BHP)
17. Langt børsteverktøy (bare CUA525BHA)
- 22a. Luktskive (kin CUA525BHP)

## Bruk

### Slå på og av (figur A)

- ◆ Trykk på av/på-knappen (1) for å slå verktøyet på.
- ◆ Enheten starter i middels ytelse. Ytelsen kan justeres med effektskyveren (J2) venstre = min høyre = maks (som sett ovenfra ved bruk).
- ◆ Trykk på av/på-knappen (1) for å slå verktøyet av.

**Merk:** Bruk apparatet i høyhastighetsmodus med børstehodet slått på for tepper. Bruk apparatet i lavhastighetsmodus med børstehodet slått av for harde tregulv og laminerte gulv.

**Merk:** Enheten har en intuitiv "standby"-modus som lar den huske den siste innstillingen som brukes i et par minutter før oppstart.

**Merk:** Hvis du går fra apparatet når det er i bruk, skal du plassere enheten oppreist på en slik måte at et utilsiktet fall kommer i kontakt med en vegg eller hjørne, og ikke kommer i kontakt med personer eller kjæledyr.

### Kontrollpanel (Figur J)

Enheten er utstyrt med et smartteknologi kontrollpanel som gir intelligent sensorteknologi for en mer intuitiv rengjøringsopplevelse.

Egenskapene som er inkorporert er:

J1	<b>GULVSENSOR Touchknapp</b> Intelligent gulvsensor teknologi øker sugeevnen på tepper og skifter til øko-modus for lettere oppgaver, slik som harde gulv, og øker dermed batteriets brukstid. Denne egenskapen er aktiv når LED-lyset (J1a) lyser. For å maksimere brukstiden på alle overflater skal du slå av denne egenskapen ved å trykke på området (J1).
J2	<b>Effektkontroll Touchslider</b> Touch-panelet lar deg kontrollere effektnivået på enheten fra minimum til maksimum ved å skyve en finger langs dette området.
J3	<b>Børstehode Touchknapp</b> Lar deg slå børstehodefunksjonen på og av.
J4	<b>Effektdikator</b> Lar deg overvåke effektnivået som brukes.
J5	<b>BATTERISENSOR indikator</b> LED-batteriidikatoren viser gjenværende batteritid og varsler deg når batteriet er lavt. Det siste LED-lyset vil blinke kontinuerlig når det kun er 1 minutt igjen av brukstiden. Alle LED-lys vil blinke når enheten er utladet.
J6	<b>FILTERSENSOR</b> Smart sensorteknologi oppdager automatisk (symbolet vil lyse rødt) når filteret er blokkert eller må rengjøres.

**Merk:** FILTERSENSOR LED-lys vil blinke og enheten vil slå seg av automatisk når det er en blokkering i den fleksible slangen eller i filtrene som forårsaker at motoren overopphetes. Koble fra og fjern blokkeringen umiddelbart.

### Bruke håndtaket / stav (Figur B, C, D og E)

- ◆ Trykk på håndtaket / stavens utløserknapp (11) for å frigjøre håndtaket / staven (3) fra chassiset (12).
- ◆ Frigjør slangekoblingen (9) fra chassisets slangeport (13) som vist på figur B.
- ◆ Trykk på chassisets utløserknapp (12b) for å løsne den bærbare støvsugeren (5) fra chassiset (12) som vist på figur C.
- ◆ Koble slangekoblingen (9) til den fleksible slangeporten (3a), sikre at låsen (9a) klikker ordentlig på plass som vist i figur D.

- ◆ Trekk ut det smale munnstykket (4) som vist på figur E, til det klikker på plass.
- ◆ For å trekke tilbake det smale munnstykket (4), trykk inn låseknappen (3b) for det smale munnstykket og trekk tilbake til normal posisjon.

### Bruke 3-i-1 tilbehørsverktøyet (Figur F)

- ◆ 3-i-1 håndtaket / staven (15) har tre konfigurasjoner.
  1. Børstemodus.
  2. Lite munnstykke modus.
  3. Møbelmodus.
- ◆ 3-i-1 håndtaket / staven kan enten monteres direkte på slangekoblingen 9 eller på det forlengbart sugestykket (4) som vist i figur F.

### Ta av og rengjør børstehodene (figur G og H)

- ◆ For å ta av børstehodekassetten (14a) fra gulvmunnstykket (14), trykk inn låseknappen (14b) som vist på figur G.
- ◆ Børstehodet (18) kan nå tas av. Endestykkene kan også tas av slik at du kan fjerne hår og annet rusk som har samlet seg på børsten ved bruken som vist på figur H.




**Merk:** Dersom et objekt fester seg i børstehodet, vil det stoppe automatisk. Slå av enheten, fjern objektet og fortsett.

**Merk:** CUA525BHP enheten leveres med en spesial husdyrbørste (18a) for rengjøring av hunde- og kattehaar.

### Lading (figur I)

- ◆ Sett apparatet i ladesokkelen (7) som vist på figur I.
- ◆ Plugg laderen (7) inn i en stikkontakt.
- ◆ Slå på strømmen for stikkontakten. LED ladeindikatoren vil blinke og øke trinnsvis. LED-lysene slås av når den er fulladet.
- ◆ Apparatet må lades i 6 timer.

**Merk:** Ladestasjonen leveres med 2 skruer og veggmontering for sikring til vegg. Dette gir ekstra stabilitet som vist på figur I.

Batterisensor LED-mønster	
	Batteri full (alle LED-lys)
	Ladefeil (alle LED-lys)
	Batteri overopphetet (alle LED-lys)

### Batteridiagnostikk

Hvis apparatet registrerer svakt batteri, vil ladeindikatoren blinke raskt når strømknappen trykkes inn. Fortsett som følger:

- ◆ Sett laderen i stikkontakten. Pass på at det er strøm i stikkontakten.
- ◆ La apparatet bli ladet.

Hvis apparatet registrerer et skadet batteri, vil ladeindikatoren blinke raskt når apparatet står på laderen for lading. Fortsett som følger:

- ◆ Lever apparatet og laderen til et autorisert servicesenter for kontroll.

**Merk:** Det kan ta så mye som 60 minutter å avgjøre om batteriet er defekt. Hvis batteriet er for varmt eller for kaldt, veksler LED-lampen mellom å blinke raskt og langsomt, ett blink ved hver hastighet med gjentagelse.

### Tømme støvbeholderen (figur K,L og N)

- ◆ Mens du holder enheten over en passende avfallsdunk, skal du trykke støvsamlerens utløserknapp (6a) for å løse ut støvsamlerlokket (6) som vist på figur K.
- ◆ Trykk kompakt håndtaket (19) ned for å tømme innholdet av støvsamleren (5a) som vist på figur L.

### Komprimere innholdet av støvsamleren (figur M og N)

- ◆ Med støvløkket lukket (6) skal du trykke komprimeringshåndtaket for å komprimere innholdet av støvsamleren (5a) for å maksimere støvoppsamlingen som vist i figur N.

**N1 = Før du komprimerer. N2 = Etter komprimering.**

### Utløse støvoppsamleren (figur O og P)

**Merk:** Støvsamleren kan løses ut ente fra enheten mens den er i chassismodus, som vist på figur O, eller når den brukes i bærbar modus, som vist på figur P.

- ◆ Trykk på utløserknappen (20) for støvoppsamleren, og ta av støvoppsamleren.
- ◆ Ta ut støvsamleren (5a) fra den avtagbare sugeboksen (5).
- ◆ Bruk støvsamlerhåndtaket (21) og hold enheten over en passende søppelbeholder, trykk på støvsamlerens låseknapp (6a) for å løse på støvsamlerlokket (6) og skyv komprimeringshåndtaket (19) ned for å tømme innholdet i støvsamleren (5a) som vist i figur Q.

### Rengjøring av støvoppsamlerfilter (Figur R, S og T)

- ◆ Trykk på utløserknappen (20) ned for støvoppsamleren, som vist på figur O.
- ◆ Løft filtermodulen (22) fra støvoppsamleren (5a) ved å rotere mot klokken som vist på figur R.

**Merk:** CUA525BHP enhetens forfilter leveres med en duftskive innpakket i folie (22a) som kan settes på for å gi behagelig duft når enheten er i bruk.

- ◆ Filteret (23) kan nå tas av forfilteret (22) som vist på figur T.
- ◆ Støvsamleren kan separeres i to deler (5b) og (5c), for grundigere rengjøring som vist på figur S.
- ◆ Skyll støvoppsamleren med varmt såpevann.
- ◆ Vask filterene i varmt såpevann (figur W og X).
- ◆ Forsikre deg om at filterene er tørre
- ◆ Sett filterene tilbake på plass og forsikre deg om at de sitter på riktig plass.

- ◆ Lukk støvoppsamleren (5a). Koble til igjen den avtagbare sugeboksen, forsikre deg om at utløserknappen (20) klikker tilbake på plass.

## Rengjøring av støvsugerfiltre på den håndholdte sugeren (figur U og V)

- ◆ Løft av filterpanelet (23), som viser filterkammeret (25).
- ◆ Filteret (24) kan nå tas av for rengjøring.

**Merk:** CUA525BHA enheten er utstyrt med et HEPA filter (26) for å beskytte mot allergier.

- ◆ Begge typer filtre kan rengjøres med varmt såpevann (figur W og X).

## Bærestropp (figur Y)

En bærestropp (2a) medfølger for enklere bruk av den bærebare sugeren. Den kan enkelt kobles til håndtaket (2) ved hjelp av borrelåsene som vist i figur Y.

## Vedlikehold

**Advarsel!** Før du utfører noe vedlikehold på eller rengjøring av apparatet, må du koble fra strømmen.

Av og til tørker du av apparatet med en fuktig klut. Ikke bruk slipende eller løsemiddelbaserte rengjøringsmidler. Ikke senk produktet ned i vann.

Det batteridrevne BLACK+DECKER-produktet er konstruert for å være i drift over lengre tid, med et minimum av vedlikehold. For at den skal fungere tilfredsstillende over tid, er det viktig å sørge for riktig stell av verktøyet og regelmessig renhold.

**Advarsel!** Før du utfører vedlikehold på et batteridrevet apparat:

- ◆ Trekk ut laderen fra stikkkontakten før du rengjør den. Laderen krever ikke annet vedlikehold enn regelmessig rengjøring.
- ◆ Rengjør ventilasjonsåpningene i apparatet/laderen regelmessig med en myk børste eller tørr klut.
- ◆ Rengjør motorhuset regelmessig med en fuktig klut. Ikke bruk slipende eller løsemiddelbaserte rengjøringsmidler.

## Utskifting av filtrene

Filtrene bør skiftes ut hver 6. til 9. måned og ellers hvis de er slitt eller skadet. Reservefiltre får du hos en BLACK+DECKER-forhandler.

<b>CUABF10</b> - Standard filtersett	Foldefilter + skum utslippsfilter
<b>CUAHF10</b> - HEPA-sett	HEPA foldefilter + HEPA utslippsfilter

## Advarsel for duftskiver.

### Bomulls-duft.

Vask ansiktet, hender og eventuelt eksponert hud grundig etter håndtering. Bruk vernehansker/vernetøy/vernebriller/ ansiktsbeskyttelse. Dersom du får det i øynene:

Skyll forsiktig med vann i flere minutter. Ta ut kontaktlinser dersom du har det og dersom det kan gjøres enkelt. Fortsett skyllingen. Dersom det oppstår hudirritasjon: Søk medisinsk hjelp (lege). Unngå forurensning av miljøet. Må ikke svelges.

- ◆ Ta ut de gamle filtrene som beskrevet ovenfor.
- ◆ Sett inn de nye filtrene som beskrevet ovenfor.

## Miljøvern



Separat avfallshåndtering. Produkter og batterier merket med dette symbolet skal ikke kastes i vanlig husholdningsavfall.

Produkter og batterier inneholder materialer som kan gjenbrukes eller gjenvinnes for å redusere behovet for nye råmaterialer.

Vennligst lever elektrisk utstyr og batterier til gjenbruk i henhold til lokale regler. Mer informasjon finner du på [www.2helpU.com](http://www.2helpU.com)

## Tekniske data

		CUA525BH	CUA525BHP	CUA525BHA
<b>Spenning</b>	V	18	18	18
<b>Watt-timer</b>	Wh	45	45	45
<b>Vekt</b>	Kg	3,85	3,85	3,85

## Garanti

Black & Decker er trygg på kvaliteten av produktene sine og tilbyr en 24 måneders garanti fra kjøpsdato. Denne garantierklæringen kommer i tillegg til dine lovbestemte rettigheter og er ikke i konflikt med disse. Garantien er gyldig innen områdene tilhørende medlemslandene i den Europeiske Union (EU) og det Europeiske Frihandelsområdet (EFTA).

For å ta garantien i bruk må kravet være i samsvar med kjøpsbetingelsene fra Black&Decker og du må vise kjøpskvittering til forhandleren eller til et autorisert serviceverksted. Betingelsene for Black & Deckers 2 års garanti og adressen til din nærmeste autoriserte serviceverksted kan du finne på internett under [www.2helpU.com](http://www.2helpU.com), eller ved å kontakte ditt lokale Black & Decker kontor, adressen er angitt i denne bruksanvisningen.

Besøk våre nettsider på [www.blackanddecker.no](http://www.blackanddecker.no) for å registrere ditt nye Black & Decker-produkt og for å få informasjon om nye produkter og spesialtilbud.



## Tilsigtet brug

Dine BLACK+DECKER CUA525BH, CUA525BHP og CUA525BHA multipower-støvsugere er designet til støvsugningsformål. Disse apparater er kun beregnet til brug i hjemmet.



Læs hele vejledningen omhyggeligt, før du bruger apparatet.

## Sikkerhedsinstruktioner



**Advarsel!** Læs alle sikkerhedsadvarsler og alle instruktioner. Hvis efterfølgende advarsler og instruktioner ikke følges, er der risiko for elektrisk stød, brand og alvorlige kvæstelser.

- ◆ Den tilsigtede brug er beskrevet i denne vejledning. Brugen af ekstraudstyr eller tilbehør eller udførelse af andet arbejde med dette apparat end det, der anbefales i denne vejledning, kan udgøre en fare for kvæstelser.
- ◆ Opbevar denne vejledning til senere brug.

## Brug af apparatet

- ◆ Brug ikke apparatet til at opsamle væske eller stoffer, der kan være antændelige.
- ◆ Brug ikke apparatet i nærheden af vand.
- ◆ Apparatet må ikke nedsænkes i vand.
- ◆ Træk aldrig i laderens ledning for at afbryde laderen fra stikkontakten. Beskyt laderens ledning imod varmepåvirkninger, olie og skarpe kanter.

- ◆ Dette apparat kan bruges af børn i en alder fra 8 år og derover og personer med nedsatte fysiske, sensoriske eller mentale evner eller manglende erfaring og viden, hvis det sker under overvågning, eller de vejledes i brugen af apparatet på en sikker måde, og de forstår de farer, som er forbundet dermed. Børn må ikke lege med apparatet. Rengøring og brugervedligeholdelse må ikke foretages af børn uden opsyn.

## Eftersyn og reparationer

Før brug skal apparatet kontrolleres for beskadigede eller defekte dele. Se efter knækkede dele, skader på kontakter og eventuelle andre tilstande, der kan påvirke apparatets funktion.

- ◆ Brug ikke apparatet med beskadigede eller defekte dele.
- ◆ Få beskadigede eller defekte dele repareret eller udskiftet på et autoriseret værksted.
- ◆ Kontroller regelmæssigt opladerens ledning for skader. Udskift opladeren, hvis ledningen er beskadiget eller defekt.
- ◆ Forsøg aldrig at fjerne eller udskifte dele ud over dem, der er beskrevet i denne vejledning.

## Yderligere sikkerhedsvejledninger

### Efter brug

- ◆ Træk laderen ud af stikkontakten, før laderen eller laderens basisenhed rengøres.



- ◆ Opbevar apparatet på et tørt sted, fuldt opladet, når det ikke er i brug.
- ◆ Børn må ikke have adgang til opbevarede apparater.

## Tilbageværende risici

Der kan opstå yderligere, tilbageværende risici under brugen af apparatet, som muligvis ikke behandles i de vedlagte sikkerhedsadvarsler. Disse risici kan opstå pga. forkert anvendelse, langvarig brug etc.

Selv ved overholdelse af relevante sikkerhedsforskrifter og anvendelse af sikkerhedsudstyr kan visse resterende risici ikke undgås.

Disse omfatter:

- ◆ Tilskadekomst forårsaget af berøring af roterende/bevægelige dele.
- ◆ Tilskadekomst forårsaget af udskiftning af dele, klinger eller tilbehør.
- ◆ Tilskadekomst forårsaget af langvarig brug af et værktøj. Husk at holde pause jævnlige ved brug af et apparat i længere tid.
- ◆ Hørenedsættelse.
- ◆ Sundhedsrisici forårsaget af indånding af støv, der genereres ved brug af værktøjet (eksempel: arbejde med træ, især, eg, bøg og MDF.)

## Opladere

Opladeren er udviklet til en specifik spænding. Kontroller altid, at netspændingen svarer til spændingen på typeskiltet.

**Advarsel!** Forsøg aldrig at erstatte opladerenheden med et almindeligt netstik.

- ◆ Brug kun din BLACK+DECKER-lader til at oplade batteriet i det værktøj, som den blev leveret sammen med. Andre batterier kan eksplodere og forårsage kvæstelser og materielle skader.
- ◆ Forsøg aldrig at oplade ikke-genopladelige batterier.
- ◆ Hvis netledningen beskadiges, skal den udskiftes af producenten eller et autoriseret BLACK+DECKER-værksted, så farlige situationer undgås.
- ◆ Opladeren må ikke udsættes for fugt.
- ◆ Opladeren må ikke åbnes.
- ◆ Opladeren må ikke undersøges.
- ◆ Apparatet/værktøjet/batteriet skal anbringes et sted med god udluftning, når det oplades.

## Elektricitet og sikkerhed

### Symboler på opladeren



Læs hele vejledningen omhyggeligt, før du bruger apparatet.



Dette værktøj er dobbelt isoleret, derfor er en jordledning ikke nødvendig. Kontroller altid, at strømforsyningen svarer til spændingen på mærkepladen.



Opladerens basisenhed er kun beregnet til indendørs brug.

### Mærkater på apparatet

Apparatet er forsynet med følgende advarselssymboler samt datokoden



Læs hele vejledningen omhyggeligt, før du bruger apparatet



Brug kun sammen med lader S010Q 23 / SSC-230040XX

### Funktioner

Apparatet har nogle eller alle af de følgende funktioner.

1. Tænd/sluk-knap
2. Håndtag
- 2a. Bærestrop
3. Håndtag/stav
- 3a. Port til fleksibelt rør
- 3b. Lås til rørføringer
4. Udtrækkeligt revneværktøj
5. Håndholdt støvsuger
- 5a. Støvbeholder
6. Støvbeholderlæg
7. Opladerens basisenhed
- 7a. Tilbehørsholder
8. Hængsel til støvbeholderlæg
9. Slangeforbindelsesstykke
10. Bøjelig slange
11. Håndtagets/ stavens udløserknap
12. Chassis
- 12a. Lys
13. Chassisslangeport
14. Gulvmundstykke
15. 3-i-1 tilbehørsværktøj
16. Revneværktøj til dyrehår (kun CUA525BHP)
17. Lang børste-værktøj (kun CUA525BHA)
- 22a. Duftskeive (CUA525BHP)

## Anvendelse

### Sådan tændes og slukkes (Fig. A)

- ◆ Tænd ved at trykke på tænd/sluk-kontakten (1).
- ◆ Enheden starter i indstillingen mellem-ydeevne. Ydeevnen kan justeres med strømstyringsliden (J2) Venstre = min Højre = maks (som set når i brug fra oven).
- ◆ Sluk ved at trykke på tænd/sluk-kontakten (1).

**Bemærk:** Brug enheden i høj hastighedstilstand med tæppebanker slået til for tæppe. Brug enheden i lav hastighedstilstand med tæppebanker slået fra for hårdt træ og laminatgulv.




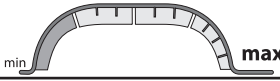


**Bemærk:** Enheden har en intuitiv standby-tilstand, der gør det muligt at huske de senest anvendte indstillinger i et par minutter efter opstart.

**Bemærk:** Hvis du forlader apparatet, når det er i brug, skal du placere den opretstående enhed på en sådan måde, at den i tilfælde af et uheldigt fald, falder ind i en væg eller et hjørne eller lignende og er væk fra mennesker og kæledyr.

### Kontrolpanel (Fig. J)

Enheden er udstyret med et smarttech-kontrolpanel, som giver intelligent sensorteknologi for en mere intuitiv rengøringsoplevelse.

De indbyggede funktioner er:

	
J1	<b>GULVSENSOR touch-knap</b> Intelligent gulvfløreteknologi øger sugningen på tæpper og skifter til spæretilstand til lettere opgaver, såsom rengøring på hårdt gulv, og optimerer hermed batteridriftstiden. Denne funktion er aktiv, når LED'en (J1a) lyser. For at maksimere driftstiden på alle overflader skal du slukke for denne funktion ved touch-området (J1).
	
J2	<b>Touch-slider til strømstyring</b> Touch-tastaturet giver dig mulighed for at styre niveauet af strøm til enheden fra minimum til maksimum ved at glide fingeren langs dette område.
	
J3	<b>Touch-knap til tæppebanker</b> Giver dig mulighed for at slå tæppebankerfunktionen til og fra.
	
J4	<b>Strømindikator</b> Giver dig mulighed for at overvåge niveauet af strøm, der bruges.
	
J5	<b>BATTERISENSOR-indikator</b> LED-batterindikatoren viser dig, hvor meget opladning der er tilbage, og advarer dig, når batteriet er lavt. Den sidste LED blinker kontinuerligt, når der kun er 1 minut tilbage. Alle LED'er blinker, når enheden er afladet.
	
J6	<b>FILTERSENSOR</b> Smart sensor-teknologi registrerer automatisk (symbolet lyser rødt), når filteret er tilstoppet og skal rengøres.

**Bemærk:** FILTERSENSOR-LED'en blinker, og apparatet slukkes automatisk, hvis der er forhindringer i den bøjelige slange eller filtre, der forårsager overophedning af motoren. Frakobl og fjern blokeringen med det samme.

### Brug af håndtaget/staven (Fig. B, C, D, E)

- ◆ Tryk på udløserknappen til håndtaget/staven (11) for at frigøre håndtaget/staven (3) fra chassis (12).
- ◆ Løsn slangeforbindelsesstykket (9) fra chassisslangeporten (13) som vist i figur B.
- ◆ Tryk på chassissudløserknappen (12b) for at frigøre den håndholdt støvsuger (5) fra chassiset (12) som vist i figur C.
- ◆ Slut slangeforbindelsesstykket (9) til porten til fleksibelt rør (3a), mens du sikrer dig, at låsen (9a) klikker sikkert på plads, som vist på figur D.

- ◆ Forlæng revneværktøjet (4) som vist i figur E, indtil det klikker på plads.
- ◆ For at trække revneværktøjet (4) tilbage, skal du trykke på låsen til rørforlængeren (3b) og lade den komme tilbage til sin normale position.

### Anvendelse af 3-i-1-tilbehørsværktøjet (Fig. F)

- ◆ 3-i-1-håndtaget/staven (15) har tre konfigurationer.
  1. Børste-tilstand.
  2. Små revner-tilstand.
  3. Polstring-tilstand.
- ◆ 3-i-1-håndtaget/staven kan enten monteres direkte på slangeforbindelsesstykket 9 eller på det udtrækkelige revneværktøj (4), som vist på figur F.

### Fjernelse og rydning af tæppebankere (Fig. G, H)

- ◆ Du fjerner tæppebankerboksen (14a) fra gulvhovedet (14) ved at trykke på udløserknappen (14b) som vist i figur G.
- ◆ Tæppebankeren (18) kan nu fjernes. Endestykkerne er også aftagelige, hvilket gør det muligt at rengøre børsterne for hår eller evt. ophobet snavs, som vist i figur H.




**Bemærk:** Hvis en genstand sætter sig fast i tæppebankeren, stopper den automatisk. Sluk for enheden, fjern genstanden og fortsæt.

**Bemærk:** CUA525BHP-enheden er forsynet med en særlig dyrehåsanordning (18a) til rengøring af dyrehår osv.

### Opladning (Fig. I)

- ◆ Anbring apparatet i laderens basisenhed (7) som vist i figur I.
- ◆ Sæt opladerens basisenhed (7) i en stikkontakt.
- ◆ Tænd for stikkontakten. LED-opladningsindikatoren blinker og udfyldes én efter én. LED'erne slukker, når den er fuldt opladet.
- ◆ Apparatet skal oplades i 6 timer.

**Bemærk:** Opladerens basisenhed leveres med 2 skruer og rawplugs til fastgørelse på en væg, hvilket giver ekstra stabilitet, som vist i figur I.

Batterisensorens LED-mønstre	
	Batterifejl (alle LED'er)
	Opladerfejl (alle LED'er)
	Batteriet er varmt (Alle LED'er)

### Fejlfinding ved batteriet

Hvis apparatet registrerer et svagt batteri, blinker ladeindikatoren hurtigt rødt, når strømknappen er aktiveret. Fortsæt som følger:

- ◆ Tilslut opladeren. Tænd på stikkontakten.
- ◆ Lad apparatet blive opladet.

Hvis apparatet registrerer et ødelagt batteri, blinker ladeindikatoren hurtigt, når apparatet er til opladning. Fortsæt som følger:

- ◆ Indlevér apparatet og laderen til testning på et autoriseret servicecenter.

**Bemærk:** Det kan tage op til 60 minutter at konstatere, at batteriet er defekt. Hvis batteriet er for varmt eller koldt, blinker lysdioden skiftevis hurtigt og langsomt med et blink ved hver frekvens, hvorefter sekvensen gentages.

### Tømning af støvbeholderen (Fig. K, L, N)

- ◆ Hold enheden over en passende affaldsbeholder, tryk på støvbeholderens udløserknop (6a) for at frigøre støvbeholderens låg (6) som vist i figur K.
- ◆ Skub sammentrykningshåndtaget (19) ned for at tømme støvbeholderens indhold (5a), som vist i figur L.

### Sammentrykning af indholdet af støvbeholderen (Fig. M, N)

- ◆ Når støvbeholderens låg (6) er lukket, skal du trykke sammentrykningshåndtaget ned for at sammentrykke indholdet af støvbeholderen (5a) og dermed maksimere støvsopsamlingen som vist i figur N.

**N1 = Før sammentrykning. N2 = Efter sammentrykning.**

### Frigørelse af støvbeholderen (Fig. O, P)

**Bemærk:** Støvbeholderen kan frigøres enten fra enheden, mens den er i chassis-tilstand, som vist i figur O, eller når den bruges i løftbar støvsugerbeholder-tilstand, som vist i figur P.

- ◆ Tryk på støvbeholderens udløserhåndtag (20) for at frigøre støvholderen.
- ◆ Frigør støvbeholderen (5a) fra den løftbare støvsugerbeholder (5).
- ◆ Mens du bruger støvbeholderhåndtaget (21) og holder enheden over en passende affaldsbeholder, skal du trykke på støvbeholderens udløserknop (6a) for at frigøre støvbeholderens låg (6) og skubbe sammentrykningshåndtaget (19) ned for at tømme indholdet af støvbeholderen (5a) som vist i figur Q.

### Rengøring af støvbeholderens filtre (Fig. R,S,T)

- ◆ Tryk på støvbeholderens udløserhåndtag (20) for at frigøre støvbeholderen, som vist på figur O.
- ◆ Løft filtersamlingen (22) fra støvbeholderen (5a) ved at dreje mod uret, som vist i figur R.

**Bemærk:** CUA525BHP enhedens forfilter leveres med en duftskive i en foliepakning (22a), som kan fastgøres og give mulighed for at udsende en behagelig duft, når apparatet er i brug.

- ◆ Filteret (23) kan nu løftes ud af forfilteret (22), som vist i figur T.
- ◆ Støvbeholderen kan adskilles i to dele (5b) og (5c) for en mere grundig rengøring, som vist i figur S.

- ◆ Vask støvbøholderen med varmt sæbevand.
- ◆ Vask filtrene med varmt sæbevand (Fig. W, X).
- ◆ Sørg for, at filtrene er helt tørre
- ◆ Sæt filtrene i apparatet igen, og sørg for, at de sidder korrekt.
- ◆ Luk støvbøholderen (5a). Gentilslut den løftbare støvsugerbeholder, og sørg for, at frigivelseslåsen (20) klikker på plads.

## Rengøring af den håndholdte støvsugers udstødningsfiltre (Fig. U, V)

- ◆ Løft filteradgangspanelet af (23), så filterkammeret er synligt (25).
- ◆ Filteret (24) kan nu fjernes for at blive rengjort.

**Bemærk:** CUA525BHA enheden er udstyret med et HEPA-filtrer (26) for at hjælpe med at beskytte mod allergier.

- ◆ Begge typer filtre kan rengøres med varmt sæbevand (Fig. W, X).

## Bærestrop (Fig. Y)

Der følger en bærestrop (2a) med, så det er lettere at anvende den håndholdte støvsuger. Denne er sluttet til håndtaget (2) gennem en velcro-fastgørelsesenhed, som vist på figur Y.

## Vedligeholdelse

**Advarsel!** Tag apparatet ud af stikkontakten, før der udføres nogen form for vedligeholdelse eller rengøring.

Aftrø regelmæssigt apparatet med en fugtig klud. Der må ikke bruges skuremidler eller opløsningsmidler. Apparatet må ikke nedsænkes i vand.

Dit Black & Decker-apparat uden ledning er beregnet til at fungere i en længere periode med minimal vedligeholdelse. Vedvarende tilfredsstillende funktion er afhængig af, om apparatet plejes korrekt og rengøres regelmæssigt.

**Advarsel!** Før udførelse af nogen form for vedligeholdelse af apparater uden ledning:

- ◆ Træk opladeren ud af stikkontakten, før den rengøres. Opladeren kræver ingen vedligeholdelse, men skal rengøres jævnligt.
- ◆ Rengør jævnligt apparatets/laderens ventilationshuller med en blød børste eller en tør klud.
- ◆ Rengør med jævne mellemrum motorhuset med en fugtig klud. Der må ikke bruges skuremidler eller opløsningsmidler.

## Udskiftning af filtrene

Filtrene skal udskiftes hver 6. til 9. måned, og i øvrigt, hvis de bliver slidte eller beskadiget. Udskiftningsfiltre fås hos BLACK+DECKER-forhandleren.

CUAHF10 - HEPA-sæt	HEPA plisseret filter + HEPA-udstødning
--------------------	---

## Advarsel for duftskiver.



### Bomuldslinneduft.

Vask ansigt, hænder og udsat hud grundigt efter brug. Bær beskyttelseshandsker/beskyttelsesøjenbeskyttelse/ansigtsbeskyttelse. Hvis i øjnene: Skyl omhyggeligt med vand i flere minutter. Fjern eventuelle kontaktlinser, hvis dette let kan gøres.

Fortsæt skylning. Hvis der opstår hudirritationer. Søg lægehjælp. Undgå udledning til miljøet. Nedsvælg ikke.

- ◆ Tag de gamle filtre ud, som beskrevet i det foregående.
- ◆ Sæt de nye filtre i, som beskrevet i det foregående.

## Miljøbeskyttelse



Særskilt bortskaffelse. Produkter og batterier mærket med dette symbol må ikke bortskaffes sammen med normalt husholdningsaffald.

Produkter og batterier indeholder materialer, der kan genvindes eller genbruges og således reducere efterspørgslen efter råvarer.

Genbrug venligst elektriske produkter og batterier i henhold til lokale bestemmelser. Yderligere informationer findes på [www.2helpU.com](http://www.2helpU.com)

## Tekniske data

		CUA525BH	CUA525BHP	CUA525BHA
Spænding	V	18	18	18
Watt timer	Wt	45	45	45
Vægt	kg	3.85	3.85	3.85

## Garanti

Black & Decker er overbevist om den gode kvalitet af sine produkter og giver forbrugerne en garanti på 24 måneder fra købsdatoen. Garantien er et tillæg til forbrugerens lovmæssige rettigheder og påvirker ikke disse. Garantien er gyldig inden for medlemsstaterne af Den Europæiske Union og Det Europæiske Frihandelsområde.

Når du gør krav på garantien, skal kravet være i overensstemmelse med Black & Decker vilkår og betingelser, og du skal indsende dokumentation for købet til sælgeren eller til en autoriseret reparatør. Vilkår og betingelser for Black & Decker 2 års garanti og placeringen af dit nærmeste autoriserede serviceværksted kan fås på internettet på [www.2helpU.com](http://www.2helpU.com), eller ved at kontakte dit lokale Black & Decker kontor på den adresse, der er angivet i denne vejledning.

Besøg venligst vores websted [www.blackanddecker.co.uk](http://www.blackanddecker.co.uk) for at registrere dit nye Black & Decker-produkt og modtage opdateringer om nye produkter og specielle tilbud.

CUABF10 - Standard filtersæt	Plisseret filter + Skumudstødning
------------------------------	-----------------------------------

**Käyttötarkoitus**

Monitehoiset BLACK+DECKER CUA525BH, CUA525BHP ja CUA525BHA -pölynimurit on tarkoitettu imuroimiseen. Laitteet on tarkoitettu ainoastaan kotitalouskäyttöön.



Lue nämä ohjeet huolellisesti ennen laitteen käyttöä.

**Turvallisuusohjeet**

**Varoitus!** Lue kaikki turvallisuusvaroitukset ja ohjeet. Alla olevien varoitusten ja ohjeiden noudattamisen laiminlyönti saattaa johtaa sähköiskuun, tulipaloon ja/ tai vakavaan loukkaantumiseen.

- ◆ Käyttötarkoitus kuvataan näissä ohjeissa. Muiden kuin ohjeissa suositeltujen lisävarusteiden tai -osien käyttö sekä laitteen käyttö muuhun kuin oppaassa suositeltuun tarkoitukseen voi aiheuttaa henkilövahingon vaaran.
- ◆ Säilytä tämä käyttöohje tulevaa tarvetta varten.

**Laitteen käyttö**

- ◆ Älä käytä laitetta nesteiden tai syttyvien materiaalien keräämiseen.
- ◆ Älä käytä laitetta veden lähellä.
- ◆ Älä upota laitetta veteen.
- ◆ Älä koskaan irrota laturia pistorasiasta vetämällä virtajohdosta. Pidä laturin virtajohto etäällä lämmönlähteistä, öljystä ja terävistä reunoista.

- ◆ Tämä laite soveltuu yli 8-vuotiaiden lasten ja sellaisten henkilöiden käyttöön, joilla on fyysisiä, aistillisia tai henkisiä rajoitteita tai puutteellinen kokemus tai tuntemus, jos heitä valvotaan tai jos he ovat saaneet laitteen turvalliseen käyttöön liittyvää opastusta ja ymmärtävät laitteen käyttöön liittyvät vaarat. Älä anna lasten leikkiä laitteella. Puhdistus- ja huoltotöitä ei saa jättää lapsille ilman valvontaa.

**Tarkastus ja korjaus**

Tarkista ennen laitteen käyttöä, ettei laitteessa ole vahingoittuneita tai viallisia osia. Tarkista osien ja kytkimien kunto sekä muut seikat, jotka voivat vaikuttaa laitteen toimintaan.

- ◆ Älä käytä laitetta, jos jokin osa on vahingoittunut tai viallinen.
- ◆ Korjauta tai vaihdata vaurioituneet tai vialliset osat valtuutetussa huoltoliikkeessä.
- ◆ Tarkista säännöllisesti, ettei laturin virtajohto ole vahingoittunut. Vaihda laturi, jos virtajohto on vahingoittunut tai viallinen.
- ◆ Älä yritä korjata tai vaihtaa muita kuin tässä käyttöohjeessa erikseen määriteltäviä osia.

**Lisäturvaohjeet****Käytön jälkeen**

- ◆ Irrota laturi pistorasiasta ennen laturin tai lataustelineen puhdistamista.

- ◆ Kun laitetta ei käytetä, sitä on säilytettävä akku täyteen ladattuna kuivassa paikassa.
- ◆ Pidä laite lasten ulottumattomissa.

## Jäännösriskit

Myös muut kuin turvavaroituksissa mainitut riskit ovat mahdollisia työkalua käytettäessä. Nämä riskit voivat liittyä muun muassa virheelliseen tai pitkäaikaiseen käyttöön.

Tiettyjä jäännösriskejä ei voi välttää, vaikka noudatat kaikkia turvamääräyksiä ja käytät turvalaitteita.

Näitä ovat:

- ◆ Pyörivien tai liikkuvien osien koskettamisen aiheuttamat vahingot.
- ◆ Osia, teriä tai lisävarusteita vaihdettaessa aiheutuneet vahingot.
- ◆ Työkalun pitkäaikaisen käytön aiheuttamat vahingot. Varmista, että pidät säännöllisesti taukoja työkalun pitkäaikaisen käytön aikana.
- ◆ Kuulon heikkeneminen.
- ◆ Työkalua käytettäessä (esimerkiksi puuta, erityisesti tammea, pyökkiä ja MDF-levyjä, käsiteltäessä) syntyneen pölyn sisäänhengityksen aiheuttamat terveysriskit).

## Laturit

Laturi on tarkoitettu tietylle jännitteelle. Tarkista aina, että verkkojännite vastaa arvokilvessä ilmoitettua jännitettä.

**Varoitus!** Älä yritä vaihtaa laturiin tavallista verkkovirran pistoketta.

- ◆ Käytä BLACK+DECKER-laturia vain laitteen mukana toimitetun akun lataamiseen. Muut akut voivat räjähtää ja aiheuttaa henkilövahinkoja tai aineellisia vahinkoja.
- ◆ Älä koskaan yritä ladata akkuja, joita ei ole tarkoitettu ladattaviksi.
- ◆ Jos virtajohto vahingoittuu, sen vaihtaminen on turvallisuussyistä jätettävä valmistajan tai valtuutetun BLACK+DECKER-huollon tehtäväksi.
- ◆ Suojaa laturi vedeltä.
- ◆ Älä avaa laturia.
- ◆ Älä työnnä mitään laturin sisään.
- ◆ Lataa laite/akku vain hyvin tuuletetussa paikassa.

## Sähköturvallisuus

### Laturin symbolit



Lue tämä käyttöopas huolellisesti ennen laitteen käyttöä.



Tämä työkalu on kaksoiseristetty, joten erillistä maadoitusta ei tarvita. Tarkista aina, että verkkovirran jännite vastaa tyyppikilpeen merkittyä jännitettä.



Laturi on tarkoitettu ainoastaan sisäkäyttöön.

### Laitteessa olevat merkinnät

Työkaluun on merkitty päivämääräkoodi sekä seuraavat symbolit:



Lue tämä käyttöopas huolellisesti ennen laitteen käyttöä



Käytä ainoastaan laturilla S010Q 23 / SSC-230040XX

### Yleiskuvasu

Tässä työkalussa on joitakin tai kaikki seuraavista ominaisuuksista.

1. Virtakytkin
2. Kahva
- 2a. Kantohihna

3. Kahva/tanko
- 3a. Joustavan putken liitäntä
- 3b. Putken pidennyksen lukitus
4. Suurennettava rakosuulake
5. Rikkaimuri
- 5a. Pölysäiliö
6. Pölysäiliön kansi
7. Latausteline
- 7a. Lisävarustepidike
8. Pölysäiliön kannen sarana
9. Letkun liitin
10. Joustava letku
11. Kahvan/tangon vapautuspainike
12. Runko
- 12a. Valo
13. Rungon letkuliitäntä
14. Imupää
15. 3-in-1-lisävaruste
16. Kotieläimien rakosuulake (vain CUA525BHP)
17. Pitkä harjasuulake (vain CUA525BHA)
- 22a. Hajustelevy (vain CUA525BHP)

## Käyttö

### Kytkeminen päälle ja pois päältä (kuva A)

- ◆ Käynnistä laite painamalla virtakytkintä (1).
- ◆ Laite käynnistyy keskiteholla. Tehoa voidaan säätää tehosäätimellä (J2): vasen ääriasento = minimitaso, oikeaääriasento = maksimitaso (yläpuolelta katsottuna käytön aikana).
- ◆ Sammuta laite painamalla virtakytkintä (1).

**Huomautus:** Käytä laitetta suurinopeuksisessa tilassa harjarulla päällä maton imuroimiseksi. Käytä laitetta matalanopeuksisessa tilassa harjarulla pois päältä koviin puulattioiden ja laminaattilattioiden imuroimiseksi.




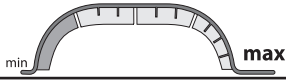


**Huomautus:** Laitteessa on intuitiivinen 'valmiustila', joka tallentaa viimeksi käytetyt asetukset muutaman minuutin ajaksi käynnistyksestä.

**Huomautus:** Jos laite jätetään ilman valvontaa sen ollessa toiminnassa, aseta se kauas henkilöistä ja kotieläimistä ja pystyasentoon niin, ettei se voi kaatua vahingossa ja osua seiniin tai kulmiin.

### Käyttöpaneeli (kuva J)

Laitteessa on smarttech-käyttöpaneeli, joka sisältää älykästä anturiteknikkaa intuitiivisempaa imurointia varten.

Paneelin sisältämät toiminnot:

	
J1	<b>LATTIA-ANTURI</b> -kosketuspainike Älykäs lattia-anturin tekniikkaa lisää imutehoa matoilla ja siirtyä säästö-tilaan kevyemmässä käytössä (esim. koviin lattioiden imurointi) optimoitua akun käyttöajan. Tämä toiminto on päällä, kun LED-merkkivalo (J1a) palaa. Voit saavuttaa maksimaalisen käyttöajan kaikilla pinnoilla kytkemällä tämän toiminnon pois päältä koskettamalla aluetta (J1).
min > >  > > max	
J2	<b>Tehosäädin</b> Kosketuspainikepaneeli mahdollistaa laitteen tehoston säätämisen minimiarvosta maksimiarvoon liu'uttamalla sormea tällä alueella.
	
J3	<b>Harjarullan</b> kosketuspainike Mahdollistaa harjarullatoiminnon kytkemisen päälle ja pois päältä.
	
J4	<b>Virran ilmaisin</b> Mahdollistaa käytetyn tehoston tarkkailemisen.
	
J5	<b>AKKUANANTURIN</b> merkkivalo Akun LED-merkkivalo näyttää jäljellä olevan virtatason ja varoittaa alhaista akkuvirran tasosta. Lopuksi LED-merkkivalo vilkkuu jatkuvasti, kun jäljellä oleva käyttöaika on yksi minuutti. Kaikki LED-merkkivalot vilkkuvat, kun virta on loppunut laitteesta.
	
J6	<b>SUODATINANTURI</b> Älykäs anturiteknikka tunnistaa automaattisesti (symboliin syttyä punainen valo), kun suodatin on tukossa ja sen puhdistus on tarpeen.

**Huomautus:** SUODATINANTURINLED-merkkivalo vilkkuu ja laite sammuu automaattisesti, kun joustavassa letkussa tai suodattimissa on jokin tukos, joka aiheuttaa moottorin ylikuumentumisen. Katkaise virta ja poista tukos välittömästi.

### Kahvan/tangon käyttäminen (kuvat B, C, D, E)

- ◆ Paina kahvan/tangon vapautuspainiketta (11) kahvan/tangon (3) irrottamiseksi rungosta (12).
- ◆ Irrota letkuliitin (9) rungon letkuliitännästä (13) kuvan B mukaisesti.
- ◆ Paina rungon vapautuspainiketta (12b) rikkaimurin (5) irrottamiseksi rungosta (12) kuvan C mukaisesti.
- ◆ Liitä letkun liitin (9) joustavan putken liitäntään (3a) ja varmista, että lukitus (9a) napsahtaa hyvin paikoilleen kuvan D mukaisesti.

- ◆ Pidennä rakosuulake (4) kuvan E mukaisesti, kunnes se napsahtaa paikoilleen.
- ◆ Vedä rakosuulake (4) sisään painamalla putken pidennyksen lukitusta (3b), jolloin se palaa normaaliin käyttöasentoon.

### 3-in-1-lisävarusteen käyttäminen (kuva F)

- ◆ 3-in-1-kahvassa/tangossa (15) on kolme eri käyttötilaa.
  1. Harjatila.
  2. Pieni rako -tila.
  3. Verhoilu-tila.
- ◆ 3-in-1-kahva/tanko voidaan asentaa joko suoraan letkun liittimeen 9 tai suurennettavaan rakosuulakkeeseen (4) kuvan F mukaisesti.

### Harjarullan irrottaminen ja puhdistaminen (kuvat G, H)

- ◆ Irrota harjarullan kasetti (14a) lattiasuulakkeesta (14) painamalla vapautuspainiketta (14b) kuvan G mukaisesti.
- ◆ Harjarulla (18) voidaan nyt poistaa. Päättykappaleet voidaan myös poistaa karvojen tai muiden kertyneiden jäämien poistamiseksi harjoista kuvan H mukaisesti.




**Huomautus:** Jos jokin esine juuttuu kiinni harjarullaan, se pysähtyy automaattisesti. Kytke laite pois päältä, irrota esine ja jatka käyttöä.

**Huomautus:** CUA525BHP -laitteessa on erityinen kotieläinten harjarulla (18a) kotieläinten harjojen jne. poistamiseksi.

### Lataaminen (kuva I)

- ◆ Aseta laite lataustelineeseen (7) kuvan I mukaisesti.
- ◆ Kytke latausteline (7) pistorasiaan.
- ◆ Kytke virransyöttö päälle. Latauksen LED-merkkivalo vilkkuu ja osiot lisääntyvät. LED-merkkivalot sammuvat, kun akku on ladattu täyteen.
- ◆ Laitetta tulee ladata 6 tuntia.

**Huomautus:** Lataustelineessä on kaksi ruuvia sekä seinäpistokkeet telineen asentamiseksi seinään kuvan I mukaisesti parempaa tukevuutta varten.

Akkuanturin LED-merkkivalon valot	
	Viallinen akku (kaikki LED-merkkivalot)
	Viallinen laturi (kaikki LED-merkkivalot)
	Kuuma akku (kaikki LED-merkkivalot)

### Akun vianmääritys

Jos laite havaitsee lähes tyhjän akun, latauksen merkkivalo vilkkuu nopeasti, kun virtapainike kytketään päälle. Toimi seuraavasti:

- ◆ Kytke laturi pistorasiaan. Kytke virta.
- ◆ Jätä laite latautumaan.

Jos laite havaitsee viallisen akun, latauksen merkkivalo vilkkuu nopeasti laitteen ollessa latauksessa. Toimi seuraavasti:

- ◆ Vie laite ja laturi huoltopisteeseen testattavaksi.

**Huomautus:** Akun kunnon määrittäminen voi kestää 60 minuuttia. Jos akku on liian kuuma tai kylmä, latauksen merkkivalo vilkkuu vuoroin nopeasti ja hitaasti.

### Pölysäiliön tyhjentäminen (kuvat K, L, N)

- ◆ Pitele laitetta sopivan roska-astian päällä ja paina pölysäiliön vapautuspainiketta (6a) pölysäiliön kannen (6) irrottamiseksi kuvan K mukaisesti.
- ◆ Paina tiivistyskahva (19) alas pölysäiliön (5a) tyhjentämiseksi kuvan L mukaisesti.

### Pölysäiliön sisällön tiivistäminen (kuvat M, N)

- ◆ Kun pölysäiliön kansi (6) on kiinni, paina tiivistyskahva alas pölysäiliön (5a) sisällön tiivistämiseksi ja pölynpoiston maksimiseksi kuvan N mukaisesti.

**N1 = Ennen tiivistystä. N2 = Tiivistyksen jälkeen.**

### Pölysäiliön irrottaminen (kuvat O, P)

**Huomautus:** Pölysäiliö voidaan irrottaa laitteesta joko runkotilassa kuvan O mukaisesti tai sen ollessa käytössä irrotettavan säiliöyksikön tilassa kuvan P mukaisesti.

- ◆ Paina pölysäiliön vapautusvipu (20) alas pölysäiliön irrottamiseksi.
- ◆ Irrota pölysäiliö (5a) irrottavasta säiliöyksiköstä (5).
- ◆ Kun pölysäiliön kahvaa (21) käytetään ja laitetta pidetään sopivan roska-astian päällä, paina pölysäiliön vapautuspainiketta (6a) pölysäiliön kannen (6) irrottamiseksi ja paina tiivistyskahva (19) alas pölysäiliön (5a) tyhjentämiseksi kuvan Q mukaisesti.

### Pölysäiliön suodattimien puhdistaminen (kuvat R, S, T)

- ◆ Paina pölysäiliön vapautusvipu (20) alas pölysäiliön irrottamiseksi kuvan O mukaisesti.
- ◆ Nosta suodatinkokoanpano (22) pölysäiliöstä (5a) kiertämällä sitä vastapäivään kuvan R mukaisesti.

**Huomautus:** CUA525BHP-laitteen esisuodatin sisältää foliokäareessä olevan hajustelevyn (22a), joka voidaan asentaa miellyttävän hajun muodostamiseksi laitteen käytön aikana.

- ◆ Suodatin (23) voidaan nyt nostaa pois esisuodattimesta (22) kuvan T mukaisesti.
- ◆ Pölysäiliö voidaan jakaa kahteen osaan (5b) ja (5c) kuvan S mukaisesti perusteellisempaa imurointia varten.
- ◆ Huuhtele pölysäiliö lämpimällä saippuavedellä.
- ◆ Pese suodattimet lämpimällä saippuavedellä (kuvat W, X).
- ◆ Varmista, että suodattimet ovat kuivat.
- ◆ Asenna suodattimet laitteeseen ja varmista, että ne ovat oikein paikoillaan.



- ◆ Sulje pölysäiliö (5a). Liitä se uudelleen irrotettavaan säiliöyksikköön varmistaen, että lukitus (20) napsahtaa paikoilleen.

huuhtelua. Ihoärsytys: Ota yhteyttä lääkäriin. Ei saa päästä ympäristöön. Ei saa niellä.

- ◆ Poista vanhat suodattimet yllä kuvatulla tavalla.
- ◆ Aseta uudet suodattimet paikalleen yllä kuvatulla tavalla.

## Rikkaimurin ilmanpoistosuodattimien puhdistaminen (kuvat U, V)

- ◆ Nosta suodattimen luukku (23) pois päästäksesi suodattinyksikköön (25).
- ◆ Suodatin (24) voidaan nyt poistaa puhdistusta varten.

**Huomautus:** CUA525BHA-laitteessa on HEPA-suodatin (26) allergeenien poistamiseksi.

- ◆ Molemmat suodatinmallit voidaan puhdistaa lämpimällä saippuavedellä (kuvat W, X).

## Ympäristönsuojelu



Toimita tämä laite erilliskeräykseen. Tällä symbolilla merkityitä tuotteita ja akkuja ei saa hävittää tavallisen kotitalousjätteen mukana.

Tuotteissa ja akuissa on materiaaleja, jotka voidaan ottaa talteen tai kierrättää uudelleen käyttöä varten. Kierrätä sähkölaitteet ja akut paikallisten määräyksien mukaan. Lisätietoa on saatavilla osoitteessa [www.2helpU.com](http://www.2helpU.com)

## Kantohihna (kuva Y)

Laitteen kantohihna (2a) helpottaa rikkaimurin käyttöä. Se voidaan kiinnittää helposti kahvaan (2) velcro-kiinnittimen avulla kuvan Y mukaisesti.

## Huolto

**Varoitus!** Ennen huoltoa ja puhdistusta laitteen tulee olla pois päältä ja irti virtalähteestä.

Pyyhi laite säännöllisesti kostealla liinalla. Älä käytä hankaavia tai liuotinpohjaisia puhdistusaineita. Älä upota laitetta veteen. BLACK+DECKERin johdoton laite on suunniteltu toimimaan mahdollisimman pitkän aikaa mahdollisimman vähällä huollolla. Oikea käsittely ja säännöllinen puhdistus varmistavat laitteen ongelmattoman toiminnan.

**Varoitus!** Toimi ennen johdottomien laitteiden huoltoa seuraavasti:

- ◆ Irrota laturi pistorasiasta ennen laturin puhdistamista. Laturi ei tarvitse säännöllisen puhdistamisen lisäksi mitään muuta huoltoa.
- ◆ Puhdista laitteen/laturin ilma-aukot säännöllisesti pehmeällä harjalla tai kuivalla kangasliinalla.
- ◆ Puhdista moottorin kotelo säännöllisesti kostealla liinalla. Älä käytä hankaavia tai liuotinpohjaisia puhdistusaineita.

## Suodattimien vaihtaminen

Suodattimet on hyvä vaihtaa 6–9 kuukauden välein ja aina, kun ne ovat kuluneet tai vahingoittuneet. Vaihtosuodattimia saat BLACK+DECKER-jälleenmyyjältä.

<b>CUABF10</b> - Perusmallin suodattinsarja	Laskostettu suodatin + vaahtomainen ilmanpoistosuodatin
<b>CUAHF10</b> - HEPA-sarja	Laskostettu HEPA-suodatin + HEPA-ilmanpoistosuodatin

## Hajustelevyjen varoitus.



### Puuviillapellavan hajuste.

Pese kasvat, kädet ja altistunut ihoalue huolellisesti käsittelyn jälkeen. Käytä suojakäsineitä/suojavaatteita/suojalaseja/suojanaamaa. Silmät: Huuhtele huolellisesti vedellä useiden minuuttien ajan. Poista piilolinssi, jos se onnistuu helposti. Jatka

## Tekniset tiedot

		CUA525BH	CUA525BHP	CUA525BHA
<b>Jännite</b>	V	18	18	18
<b>Wattitunnit</b>	Wh	45	45	45
<b>Paino</b>	Kg	3,85	3,85	3,85

## Takuu

Black & Decker on vakuuttunut tuotteidensa korkeasta laadusta ja tarjoaa kuluttajille 24 kuukauden takuun, joka astuu voimaan ostopäivänä. Takuu on lisäys kuluttajan laillisiin oikeuksiin eikä vaikuta niihin. Tämä takuu on voimassa kaikissa EU- ja ETA-maissa.

Edellytyksenä takuun saamiselle on, että vaade täyttää Black & Deckerin ehdot ja että ostaja toimittaa ostotositteen jälleenmyyjälle tai valtuutetulle huoltoliikkeelle. Black & Deckerin kahden vuoden takuun ehdot ja lähimmän valtuutetun korjauspalvelun yhteystiedot ovat saatavilla osoitteessa [www.2helpU.com](http://www.2helpU.com) tai ottamalla yhteyttä paikalliseen Black & Deckerin toimipisteeseen tässä ohjekirjassa ilmoitettuihin osoitteisiin.

Käy verkkosivuillemme osoitteessa [www.blackanddecker.fi](http://www.blackanddecker.fi) ja rekisteröi uusi Black & Decker -tuotteesi saadaksesi tietoa uusista tuotteista ja erikoistarjouksista.

**Προβλεπόμενη χρήση**

Οι ηλεκτρικές σκούπες BLACK+DECKER CUA525BH, CUA525BHP and CUA525BHA πολλαπλών εφαρμογών έχουν σχεδιαστεί για ηλεκτρικό σκούπισμα. Αυτές οι συσκευές προορίζονται μόνο για οικιακή χρήση.



Διαβάστε προσεκτικά όλο το περιεχόμενο αυτού του εγχειριδίου πριν χρησιμοποιήσετε τη συσκευή.

**Οδηγίες ασφαλείας**

**Προειδοποίηση!** Διαβάστε όλες τις προειδοποιήσεις ασφαλείας και όλες τις οδηγίες. Η μη τήρηση των παρακάτω προειδοποιήσεων και οδηγιών μπορεί να προκαλέσει ηλεκτροπληξία, πυρκαγιά και/ή σοβαρές σωματικές βλάβες.

- ♦ Η προβλεπόμενη χρήση περιγράφεται στο παρόν εγχειρίδιο. Τόσο η χρήση αξεσουάρ ή προσαρτημάτων, όσο και η πραγματοποίηση με αυτή τη συσκευή οποιασδήποτε εργασίας, πέραν αυτών που συνιστώνται στο παρόν εγχειρίδιο οδηγιών, μπορεί να εγκυμονεί κίνδυνο σωματικών βλαβών.
- ♦ Φυλάξτε αυτό το εγχειρίδιο για μελλοντική αναφορά.

**Χρήση της συσκευής**

- ♦ Μη χρησιμοποιείτε τη συσκευή για να περισυλλέξετε υγρά ή άλλα υλικά που θα μπορούσαν να πιάσουν φωτιά.
- ♦ Μη χρησιμοποιείτε τη συσκευή κοντά σε νερό.
- ♦ Μη βυθίζετε τη συσκευή σε νερό.

- ♦ Ποτέ μην αποσυνδέετε το φορτιστή από την πρίζα τραβώντας τον από το καλώδιο. Διατηρείτε το καλώδιο φορτιστή σε απόσταση από πηγές θερμότητας, λάδια και κοφτερές αιχμές.
- ♦ Αυτή η συσκευή μπορεί να χρησιμοποιηθεί από παιδιά ηλικίας 8 ετών και άνω καθώς και από άτομα με μειωμένες σωματικές, αισθητηριακές ή διανοητικές ικανότητες ή άτομα χωρίς εμπειρία και γνώσεις, μόνο εφόσον τα άτομα αυτά επιτηρούνται ή τους έχουν δοθεί οδηγίες σχετικά με την ασφαλή χρήση της συσκευής και έχουν κατανοήσει τους πιθανούς κινδύνους. Τα παιδιά δεν πρέπει να παίζουν με τη συσκευή. Ο καθαρισμός και η συντήρηση από το χρήστη δεν πρέπει να γίνονται από παιδιά χωρίς επίβλεψη.

**Έλεγχος και επισκευές**

Πριν από τη χρήση, ελέγξτε τη συσκευή σας για τυχόν εξαρτήματα που παρουσιάζουν ζημιά ή βλάβη. Ελέγξτε αν υπάρχουν σπασμένα εξαρτήματα, ζημιά σε διακόπτες και οτιδήποτε άλλο μπορεί να επηρεάσει τη λειτουργία της.

- ♦ Μη χρησιμοποιήσετε τη συσκευή αν οποιοδήποτε εξάρτημά της έχει υποστεί ζημιά ή βλάβη.
- ♦ Φροντίζετε η επισκευή ή αντικατάσταση των εξαρτημάτων που τυχόν έχουν υποστεί ζημιά ή βλάβη να γίνεται από εξουσιοδοτημένο αντιπρόσωπο επισκευών.

- ♦ Να ελέγχετε τακτικά την κατάσταση του καλωδίου του φορτιστή. Σε περίπτωση που το καλώδιο του φορτιστή παρουσιάζει ζημιά ή ελάττωμα, αντικαταστήστε το φορτιστή.
- ♦ Μην επιχειρήσετε ποτέ να αφαιρέσετε ή να αντικαταστήσετε οποιοδήποτε εξάρτημα, εκτός από αυτά που καθορίζονται στο παρόν εγχειρίδιο.

## Πρόσθετες οδηγίες ασφαλείας

### Μετά τη χρήση

- ♦ Πριν καθαρίσετε τον φορτιστή ή τη βάση φόρτισης αποσυνδέστε τον/την από την πρίζα.
- ♦ Όταν η συσκευή δεν χρησιμοποιείται, πρέπει να φυλάσσεται, πλήρως φορτισμένη, σε ξηρό χώρο.
- ♦ Τα παιδιά δεν πρέπει να έχουν πρόσβαση σε αποθηκευμένες συσκευές.

### Υπολειπόμενοι κίνδυνοι

Κατά τη χρήση του εργαλείου μπορεί να δημιουργηθούν πρόσθετοι υπολειπόμενοι κίνδυνοι, οι οποίοι ενδέχεται να μη συμπεριλαμβάνονται στις προειδοποιήσεις ασφαλείας που εσωκλείονται. Αυτοί οι κίνδυνοι μπορεί να προκληθούν από κακή χρήση, παρατεταμένη χρήση κλπ. Παρά την εφαρμογή των σχετικών κανονισμών ασφαλείας και τη χρήση διατάξεων ασφαλείας, ορισμένοι υπολειπόμενοι κίνδυνοι δεν είναι δυνατό να αποφευχθούν.

Σε αυτούς περιλαμβάνονται:

- ♦ Τραυματισμοί από επαφή με οποιαδήποτε περιστρεφόμενα/κινούμενα μέρη.
- ♦ Τραυματισμοί κατά την αλλαγή οπιοωνδήποτε εξαρτημάτων, λεπίδων ή αξεσουάρ.
- ♦ Σωματικές βλάβες από παρατεταμένη χρήση εργαλείου. Όταν χρησιμοποιείτε οποιοδήποτε εργαλείο για παρατεταμένα χρονικά διαστήματα, μην παραλείπετε με κανένα τρόπο να κάνετε τακτικά διαλείμματα.
- ♦ Βλάβη της ακοής.
- ♦ Κίνδυνοι στην υγεία που προκαλούνται από την εισπνοή σκόνης όταν χρησιμοποιείτε το εργαλείο (παράδειγμα:- όταν επεξεργάζεστε ξύλο, ειδικά δρυ, οξιά και MDF).

### Φορτιστές

Ο φορτιστής σας είναι σχεδιασμένος για συγκεκριμένη ηλεκτρική τάση. Ελέγχετε πάντα ότι η τάση ρεύματος δικτύου συμφωνεί με αυτήν που αναγράφεται στην πινακίδα τεχνικών χαρακτηριστικών.

**Προειδοποίηση!** Ποτέ μην επιχειρήσετε να αντικαταστήσετε τη μονάδα φορτιστή με κανονικό φως ρεύματος δικτύου.

- ♦ Ο φορτιστής BLACK+DECKER πρέπει να χρησιμοποιείται αποκλειστικά και μόνο για τη φόρτιση της μπαταρίας της συσκευής που συνόδευε.

Άλλες μπαταρίες ενδέχεται να εκραγούν, προκαλώντας τραυματισμό απόμων και ζημιές.

- ♦ Μην επιχειρήσετε ποτέ να φορτίσετε μη επαναφορτιζόμενες μπαταρίες.
- ♦ Αν το καλώδιο ρεύματος έχει υποστεί ζημιά, η αντικατάστασή του πρέπει να γίνει από τον κατασκευαστή ή από ένα εξουσιοδοτημένο κέντρο επισκευών της BLACK+DECKER, ώστε να μην αποτελέσει κίνδυνο.
- ♦ Μην εκθέτετε τον φορτιστή σε νερό.
- ♦ Μην ανοίξετε τον φορτιστή.
- ♦ Μην εισάγετε οποιαδήποτε αντικείμενα μέσα στο φορτιστή.
- ♦ Κατά τη φόρτιση, η συσκευή/ μπαταρία πρέπει να έχει τοποθετηθεί σε επαρκώς αεριζόμενο χώρο.

## Ασφαλής χρήση ηλεκτρικού ρεύματος

### Σύμβολα επάνω στο φορτιστή



Πριν χρησιμοποιήσετε τη συσκευή διαβάστε προσεκτικά ολόκληρο το εγχειρίδιο.



Αυτό το εργαλείο φέρει διπλή μόνωση και επομένως δεν απαιτείται καλώδιο γείωσης. Ελέγχετε πάντα ότι η παροχή ρεύματος αντιστοιχεί στην τάση που αναφέρεται στην πινακίδα στοιχείων.



Η βάση φόρτισης προορίζεται για χρήση σε εσωτερικούς χώρους μόνο.

### Ετικέτες πάνω στη συσκευή

Αυτή η συσκευή φέρει τα παρακάτω προειδοποιητικά σύμβολα μαζί με τον κωδικό ημερομηνίας



Πριν χρησιμοποιήσετε τη συσκευή διαβάστε προσεκτικά ολόκληρο το εγχειρίδιο



Να χρησιμοποιείται μόνο με το φορτιστή S010Q 23 / SSC-230040XX

## Χαρακτηριστικά

Αυτό το εργαλείο διαθέτει μερικά από ή όλα τα παρακάτω χαρακτηριστικά.

1. Διακόπτης λειτουργίας on/off
2. Λαβή
- 2a. Ιμάντας μεταφοράς
3. Λαβή / σωλήνας
- 3a. Θύρα εύκαμπτου σωλήνα
- 3b. Μάνδαλο επέκτασης σωλήνα
4. Εκτεινόμενο εξάρτημα για χαραμάδες
5. Μονάδα σκούπας χειρός
- 5a. Δοχείο συλλογής σκόνης
6. Κάλυμμα δοχείου σκόνης
7. Βάση φόρτισης
- 7a. Υποδοχή εξαρτημάτων
8. Άρθρωση καλύμματος δοχείου σκόνης
9. Σύνδεσμος εύκαμπτου σωλήνα
10. Εύκαμπτος σωλήνας
11. Κομπτί απελευθέρωσης λαβής / σωλήνα
12. Κορμός
- 12a. Φως
13. Θύρα εύκαμπτου σωλήνα στον κορμό
14. Κεφαλή δαπέδου
15. Εργαλείο αξεσουάρ 3 σε 1
16. Εργαλείο για τρίχες κατοικίδιων (CUA525BHP μόνο)
17. Εργαλείο μακρικής βούρτσας (CUA525BHA μόνο)
- 22a. Αρωματισμένος δίσκος (CUA525BHP μόνο)

## Χρήση

### Ενεργοποίηση και απενεργοποίηση (Εικ. Α)

- ♦ Για ενεργοποίηση πατήστε τον διακόπτη on/off (1).
- ♦ Η μονάδα αρχίζει να λειτουργεί σε ρύθμιση μεσαίας ισχύος. Η ισχύς μπορεί να ρυθμιστεί με το συρόμενο ρυθμιστή ισχύος (J2) Αριστερά = ελάχιστη, Δεξιά = μέγιστη (όπως φαίνεται από πάνω κατά τη χρήση).
- ♦ Για απενεργοποίηση πατήστε τον διακόπτη on/off (1).

**Σημείωση:** Για χαλιά χρησιμοποιείτε τη μονάδα σε λειτουργία υψηλής ταχύτητας με το δάρτη καθαρισμού ενεργοποιημένο. Για δάπεδα από σκληρό ξύλο και λαμινέ χρησιμοποιείτε τη μονάδα σε λειτουργία χαμηλής ταχύτητας με το δάρτη καθαρισμού απενεργοποιημένο.




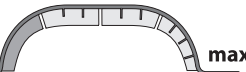
**Σημείωση:** Η μονάδα έχει μια δισαιθητική λειτουργία 'αναμονής', η οποία της επιτρέπει να θυμάται τις τελευταίες ρυθμίσεις που χρησιμοποιήθηκαν, για λίγα λεπτά μετά την εκκίνησή της.


**Σημείωση:** Αν αφήσετε τη συσκευή κατά τη χρήση της, τοποθετήστε την όρθια μονάδα με τέτοιο τρόπο ώστε τυχόν αθλήτη πτώση της να εμποδιστεί από τοίχο ή γωνία και να μην πέσει κοντά σε άνθρωπο ή κατοικίδια.

**Πίνακας ελέγχου (Εικ. J)**

Η μονάδα είναι εξοπλισμένη με πίνακα ελέγχου smarttech ο οποίος παρέχει τεχνολογία ευφυών αισθητήρων για πιο διαισθητική εμπειρία καθαρισμού.

Οι λειτουργίες που περιλαμβάνονται είναι:


<p><b>J1 Κουμπί αφής ΑΙΣΘΗΤΗΡΑ ΔΑΠΕΔΟΥ</b> Η τεχνολογία ευφυών αισθητήρα δαπέδου αυξάνει την ένταση αναρρόφησης σε χαλιά, ενώ επιλέγει την Οικονομική λειτουργία για λιγότερο απαιτητικές εργασίες, όπως για καθαρισμό σκληρού δαπέδου, βελτιστοποιώντας έτσι το χρόνο λειτουργίας της μπαταρίας - αυτή η δυνατότητα είναι ενεργή όταν είναι αναμμένη η λυχνία LED (J1a). Για τη μείωση του χρόνου λειτουργίας σε όλες τις επιφάνειες, ενεργοποιήστε αυτή τη λειτουργία αγνίζοντας την περιοχή (J1).</p>
<p>min &gt; &gt;  &gt; &gt; max</p>
<p><b>J2 Συρόμενος ρυθμιστής αφής</b> ελέγχου ισχύος Αγνίζοντας τον πίνακα κουμπιών μπορείτε να ελέγχετε το επίπεδο ισχύος που παρέχεται στη μονάδα, από το μέγιστο ως το ελάχιστο, απλά σύροντας το δάκτυλό σας κατά μήκος αυτής της περιοχής.</p>

<p><b>J3 Κουμπί αφής</b> δάρτη καθαρισμού Σας επιτρέπει να ενεργοποιείτε και να απενεργοποιείτε τη λειτουργία δάρτη καθαρισμού.</p>

<p><b>J4 Ένδειξη ισχύος</b> Σας επιτρέπει να παρακολουθείτε το επίπεδο ισχύος που χρησιμοποιείται.</p>

<p><b>J5 Ένδειξη ΑΙΣΘΗΤΗΡΑ ΜΠΑΤΑΡΙΑΣ</b> Η ένδειξη με λυχνίες LED για την μπαταρία δείχνει την υπολειπόμενη φόρτιση και σας προειδοποιεί όταν το επίπεδο φόρτισης της μπαταρίας είναι χαμηλό. Η τελική LED θα αναβοσβήνει συνεχόμενα όταν υπολείπεται μόνο 1 λεπτό χρόνου λειτουργίας. Όταν αναβοσβήνουν όλες οι λυχνίες LED, η μονάδα έχει αποφορτιστεί.</p>

<p><b>J6 ΑΙΣΘΗΤΗΡΑΣ ΦΙΛΤΡΟΥ</b> Τεχνολογία εξύπνου αισθητήρα ανιχνεύει αυτόματα (το σύμβολο θα ανάψει με κόκκινο χρώμα) πότε φράσσεται το φίλτρο και χρειάζεται να καθαριστεί.</p>

**Σημείωση:** Η LED ΑΙΣΘΗΤΗΡΑ ΦΙΛΤΡΟΥ θα αναβοσβήνει και η μονάδα θα απενεργοποιηθεί αυτόματα αν μέσα στον εύκαμπτο σωλήνα ή στα φίλτρα υπάρχει κάποιο εμπόδιο που προκαλεί την υπερθέρμανση του μοτέρ. Αποσυνδέστε και αφαιρέστε αμέσως το υλικό που προκαλεί την απόφραξη.

**Χρήση λαβής / σωλήνα (Εικ. B, C, D, E)**

- ◆ Πιέστε το κουμπί απελευθέρωσης λαβής / σωλήνα (11) για να ελευθερώσετε τη λαβή / το σωλήνα (3) από τον κορμό της συσκευής (12).
- ◆ Ελευθερώστε το σύνδεσμο εύκαμπτου σωλήνα (9) από τη θύρα εύκαμπτου σωλήνα στον κορμό της συσκευής (13), όπως δείχνει η εικόνα B.
- ◆ Πιέστε το κουμπί απελευθέρωσης (12b) στον κορμό της συσκευής για να απελευθερώσετε τη μονάδα σκούπας χειρός (5) από τον κορμό της συσκευής (12) όπως δείχνει η εικόνα C.
- ◆ Συνδέστε το σύνδεσμο εύκαμπτου σωλήνα (9) στο στόμιο εύκαμπτου σωλήνα (3a) διασφαλίζοντας ότι η ασφάλιση (9a) ασφαλίζει καλά στη θέση της όπως δείχνει η εικόνα D.
- ◆ Εκτείνετε το εργαλείο για χαραμάδες (4) όπως δείχνει η εικόνα E, μέχρι να ασφαλίσει στη θέση του με χαρακτηριστικό ήχο κλικ.
- ◆ Για να ανασύρετε το εργαλείο για χαραμάδες (4) πιέστε το μάνδαλο επέκτασης σωλήνα (3b) επιτρέποντάς του να επιστρέψει στην κανονική του θέση.

**Χρήση του εργαλείου αξεσουάρ 3 σε 1 (Εικ. F)**

- ◆ Η λαβή / ο σωλήνας 3 σε 1 (15) έχει τρεις διαμορφώσεις.
  1. Λειτουργία βούρτσας.
  2. Λειτουργία μικρών χαραμάδων.
  3. Λειτουργία ταπετσάριας επίπλων.
- ◆ Η λαβή / ο σωλήνας 3 σε 1 μπορεί να τοποθετηθεί απευθείας στο σύνδεσμο εύκαμπτου σωλήνα 9 ή στο εκτεινόμενο εξάρτημα για χαραμάδες (4) όπως δείχνει η εικόνα F.

**Αφαίρεση και καθαρισμός των δαρτών καθαρισμού (Εικ. G, H)**

- ◆ Για να αφαιρέσετε την κασέτα δαρτών καθαρισμού (14a) από την κεφαλή δαπέδου (14) πιέστε το κουμπί απελευθέρωσης (14b) όπως δείχνει η εικόνα G.
- ◆ Ο δάρτης καθαρισμού (18) μπορεί πλέον να αφαιρεθεί. Τα ακρινά τμήματα μπορούν επίσης να αφαιρεθούν, επιτρέποντάς σας να καθαρίσετε τις βούρτσες από τυχόν τρίχες ή σκουπίδια που ενδέχεται να έχουν συσσωρευτεί, όπως δείχνει η εικόνα H.

**Σημείωση:** Αν στο δάρτη καθαρισμού πιαστεί ένα αντικείμενο, τότε ο δάρτης σταματά αυτόματα.

Απενεργοποιήστε τη μονάδα, αφαιρέστε το αντικείμενο και συνεχίστε.




**Σημείωση:** Η μονάδα CUA525BHP παρέχεται με ειδικό δάρτη για τρίχες κατοικίδιων (18a) για ευκολότερη απομάκρυνση τριχών κατοικίδιων κλπ.

**Φόρτιση (Εικ. I)**

- ◆ Τοποθετήστε τη συσκευή μέσα στη βάση φόρτισης (7) όπως δείχνει η εικόνα I.
- ◆ Συνδέστε τη βάση φόρτισης (7) σε πρίζα ρεύματος.

- ◆ Ενεργοποιήστε την πρίζα. Η ένδειξη LED φόρτισης θα αρχίσει να αναβοσβήνει και τα φωτεινά της τμήματα θα αυξάνονται.  
Οι LED σβήνουν όταν η συσκευή είναι πλήρως φορτισμένη.
- ◆ Η συσκευή πρέπει να φορτιστεί για 6 ώρες.

**Σημείωση:** Η βάση φόρτισης συνδεύεται από 2 βίδες και ούπατα για στερέωση στον τοίχο, ώστε να παρέχεται πρόσθετη σταθερότητα, όπως δείχνει η εικόνα I.

Σχήματα LED αισθητήρα μπαταρίας	
	Βλάβη μπαταρίας (Όλες οι LED)
	Βλάβη φορτιστή (Όλες οι LED)
	Υπερθέρμανση μπαταρίας (Όλες οι LED)

### Διαγνωστικά μπαταρίας

Εάν η συσκευή εντοπίσει εξαντλημένη μπαταρία, η ενδεικτική λυχνία φόρτισης αρχίζει να αναβοσβήνει με γρήγορο ρυθμό όταν πιεστεί το κουμπί τροφοδοσίας. Προχωρήστε ως εξής:

- ◆ Συνδέστε τον φορτιστή στην πρίζα. Ενεργοποιήστε από το δίκτυο ρεύματος.
- ◆ Αφήστε τη συσκευή να φορτιστεί.

Αν η συσκευή ανιχνεύσει μπαταρία που έχει υποστεί ζημιά, η ενδεικτική λυχνία φόρτισης αρχίζει να αναβοσβήνει με γρήγορο ρυθμό όταν η συσκευή βρίσκεται σε φόρτιση.

Προχωρήστε ως εξής:

- ◆ Παραδώστε τη συσκευή και το φορτιστή για έλεγχο σε ένα εξουσιοδοτημένο κέντρο σέρβις.

**Σημείωση:** Μπορεί να χρειαστούν μέχρι και 60 λεπτά για να εξακριβωθεί αν η μπαταρία είναι ελαττωματική. Εάν η μπαταρία είναι πολύ ζεστή ή πολύ κρύα, η ενδεικτική λυχνία LED θα αναβοσβήνει εναλλάξ με γρήγορο και αργό ρυθμό, συγκεκριμένα, θα αναβοσβήνει μία φορά σε κάθε ρυθμό και πάλι από την αρχή.

### Αδειασμα του δοχείου σκόνης (Εικ. Κ, Λ, Ν)

- ◆ Κρατώντας τη μονάδα πάνω από κατάλληλο δοχείο απορριμμάτων, πατήστε το κουμπί απελευθέρωσης του δοχείου σκόνης (6a) για να απασφαλίσετε το κάλυμμα (6) του δοχείου σκόνης, όπως δείχνει η εικόνα Κ.
- ◆ Σπρώξτε τη λαβή συμπίεσης (19) προς τα κάτω για να αδειάσετε τα περιεχόμενα του μπλοκ σκόνης (5a) όπως δείχνει η εικόνα Λ.

### Συμπίεση των περιεχομένων του δοχείου σκόνης (Εικ. Μ, Ν)

- ◆ Με το κάλυμμα (6) του δοχείου σκόνης κλειστό, σπρώξτε τη λαβή συμπίεσης προς τα κάτω για να συμπίεσετε τα περιεχόμενα του δοχείου σκόνης (5a) μεγιστοποιώντας έτσι τη συλλογή σκόνης, όπως δείχνει η εικόνα Ν.

**N1 = Πριν τη συμπίεση. N2 = Μετά τη συμπίεση.**

### Απελευθέρωση του δοχείου σκόνης (Εικ. Ο, Ρ)

**Σημείωση:** Το δοχείο σκόνης μπορεί να απελευθερωθεί είτε από τη συσκευή όταν είναι σε λειτουργία κορμού συσκευής, όπως δείχνει η εικόνα Ο, είτε όταν χρησιμοποιείται στη λειτουργία αφαιρούμενης μονάδας σκούπας, όπως δείχνει η εικόνα Ρ.

- ◆ Πιέστε το μοχλό απελευθέρωσης (20) του δοχείου σκόνης, για να απελευθερώσετε το δοχείο σκόνης.
- ◆ Ελευθερώστε το δοχείο σκόνης (5a) από την αφαιρούμενη μονάδα σκούπας (5).
- ◆ Χρησιμοποιώντας τη λαβή (21) του δοχείου σκόνης και κρατώντας τη μονάδα πάνω από κατάλληλο δοχείο απορριμμάτων, πιέστε το κουμπί απελευθέρωσης (6a) του δοχείου σκόνης για να απελευθερώσετε το κάλυμμα (6) του δοχείου σκόνης και σπρώξτε τη λαβή συμπίεσης (19) προς τα κάτω για να αδειάσετε τα περιεχόμενα του δοχείου σκόνης (5a) όπως δείχνει η εικόνα Q.

### Καθαρισμός των φίλτρων δοχείου σκόνης (Εικ. Ρ, Σ, Τ)

- ◆ Πιέστε το μοχλό απελευθέρωσης (20) του δοχείου σκόνης για να απελευθερώσετε το δοχείο σκόνης, όπως δείχνει η εικόνα Ο.
- ◆ Ανυψώστε το συγκρότημα φίλτρων (22) από το δοχείο σκόνης (5a) περιστρέφοντάς το αριστερόστροφα όπως δείχνει η εικόνα Ρ.

**Σημείωση:** Το προφίλτρο της μονάδας CUA525BHP παρέχεται με έναν αρωματισμένο δίσκο μέσα σε περιτύλιγμα μεμβράνης (22a), ο οποίος μπορεί να συνδεθεί επιτρέποντας την απελευθέρωση μιας ευχάριστης οσμής όταν χρησιμοποιείται η συσκευή.

- ◆ Το φίλτρο (23) μπορεί τώρα να ανυψωθεί και να αφαιρεθεί από το προφίλτρο (22), όπως δείχνει η εικόνα Τ.
- ◆ Το δοχείο σκόνης μπορεί να χωριστεί σε δύο μέρη, (5b) και (5c), για πιο σχολαστικό καθαρισμό, όπως δείχνει η εικόνα Σ.
- ◆ Ξεπλύνετε το δοχείο σκόνης με χλιαρό σαπουνόνερο.
- ◆ Πλύνετε τα φίλτρα σε χλιαρό σαπουνόνερο (Εικ. W, X).
- ◆ Βεβαιωθείτε ότι τα φίλτρα είναι στεγνά
- ◆ Επαναποθετήστε τα φίλτρα μέσα στη συσκευή και βεβαιωθείτε ότι έχουν εδράσει σωστά.
- ◆ Κλείστε το δοχείο σκόνης (5a). Επανασυνδέστε την αφαιρούμενη μονάδα σκούπας διασφαλίζοντας ότι το μάνδαλο (20) θα ασφαλίσει στη θέση του με χαρακτηριστικό ήχο κλικ.

### Καθαρισμός των φίλτρων εξαγωγής της μονάδας σκούπας χειρός (Εικ. Υ, V)

- ◆ Ανυψώστε το πλαίσιο πρόσβασης στα φίλτρα (23), ώστε να αποκτήσετε πρόσβαση στο θάλαμο φίλτρων (25).
- ◆ Το φίλτρο (24) μπορεί πλέον να αφαιρεθεί για καθαρισμό.

**Σημείωση:** Η μονάδα CUA525BHA είναι εξοπλισμένη με φίλτρο HEPA (26) για συμβολή στην προστασία από αλλεργίες.

- ◆ Και οι δύο τύποι φίλτρων μπορούν να καθαριστούν με χλιαρό σαπουνόνερο (Εικ. W, X).

## Ιμάντας μεταφοράς (Εικ. Υ)

Παρέχεται ένας ιμάντας μεταφοράς (2a) για ευκολότερη χρήση της μονάδας σκούπας χειρός. Αυτός συνδέεται εύκολα στη λαβή (2) με σύστημα velcro όπως δείχνει η εικόνα Υ.

## Συντήρηση

**Προειδοποίηση!** Πριν πραγματοποιήσετε οποιαδήποτε συντήρηση ή καθαρισμό στη συσκευή, αποσυνδέστε τη συσκευή από την πρίζα.

Από καιρό σε καιρό σκουπίζετε τη συσκευή με ένα ελαφρά υγρό πανί. Μη χρησιμοποιείτε καθαριστικά που χαράζουν ή περιέχουν διαλύτες. Μη βυθίσετε τη συσκευή σε νερό. Αυτή η συσκευή μπαταρίας της BLACK+DECKER έχει σχεδιαστεί έτσι ώστε να λειτουργεί για μεγάλο χρονικό διάστημα με την ελάχιστη δυνατή συντήρηση. Η συνεχής ικανοποιητική λειτουργία εξαρτάται από τη σωστή φροντίδα και τον τακτικό καθαρισμό του εργαλείου.

**Προειδοποίηση!** Πριν πραγματοποιήσετε οποιαδήποτε συντήρηση σε συσκευές που λειτουργούν με μπαταρία:

- ◆ Αποσυνδέστε το φορτιστή από την πρίζα πριν τον καθαρίσετε. Ο φορτιστής σας δεν χρειάζεται καμία άλλη συντήρηση πέραν του τακτικού καθαρισμού.
- ◆ Να καθαρίζετε τακτικά τις εγκοπές εξαιρισμού της συσκευής/του φορτιστή με μαλακή βούρτστα ή στεγνό πανί.
- ◆ Να καθαρίζετε τακτικά το περιβλήμα του μοτέρ με ένα ελαφρά υγρό πανί. Μη χρησιμοποιείτε καθαριστικά που χαράζουν ή περιέχουν διαλύτες.

## Αντικατάσταση των φίλτρων

Τα φίλτρα πρέπει να αντικαθίστανται κάθε 6 με 9 μήνες και όταν έχουν φθαρεί ή υποστεί ζημιά. Ανταλλακτικά φίλτρα είναι διαθέσιμα από τον τοπικό σας αντιπρόσωπο της BLACK+DECKER.

<b>CUABF10</b> - Στάνταρ kit φίλτρων	Φίλτρο με πτυχωσείς + εξαγωγής αφρώδους υλικού
<b>CUAHF10</b> - Kit HEPA	Φίλτρο HEPA με πτυχωσείς + εξαγωγής HEPA

## Προειδοποίηση για αρωματισμένους δίσκους.



### Αρωμα Cotton linen.

Ξεπλύνετε το πρόσωπο, τα χέρια και οποιοδήποτε εκτεθειμένο μέρος του δέρματος μετά τη χρήση. Φορέστε προστατευτικά γάντια/προστατευτικό ρουχισμό/προστατευτικά οφθαλμών/προστατευτικά προσώπου. Εάν πέσει στα μάτια:

Ξεπλύνετε προσεκτικά με νερό για αρκετά λεπτά. Αφαιρέστε τους φακούς επαφής εάν φοράτε και είναι εύκολο να το κάνετε. Συνεχίστε να ξεπλύνετε. Εάν παρουσιαστεί ερεθισμός του δέρματος. Ζητήστε ιατρική βοήθεια. Αποφύγετε την απόρριψη στο περιβάλλον. Αποφύγετε την κατάποση.

- ◆ Αφαιρέστε τα παλιά φίλτρα όπως περιγράφεται παραπάνω.
- ◆ Τοποθετήστε τα καινούργια φίλτρα όπως περιγράφεται παραπάνω.

## Προστασία του περιβάλλοντος



Χωριστή συλλογή. Τα προϊόντα και οι μπαταρίες που επισημαίνονται με αυτό το σύμβολο δεν πρέπει να απορρίπτονται μαζί με τα κανονικά οικιακά απορρίμματα.

Τα προϊόντα και οι μπαταρίες περιέχουν υλικά που μπορούν να ανακτηθούν ή να ανακυκλωθούν ώστε να μειωθούν οι ανάγκες για πρώτες ύλες.

Παρακαλούμε να ανακυκλώνετε τα ηλεκτρικά προϊόντα και τις μπαταρίες σύμφωνα με τους τοπικούς κανονισμούς. Περισσότερες πληροφορίες διατίθενται στον ιστότοπο [www.2helpU.com](http://www.2helpU.com)

## Τεχνικά δεδομένα

		CUA525BH	CUA525BHP	CUA525BHA
Τάση	V	18	18	18
Βατώρες	Wh	45	45	45
Βάρος	kg	3,85	3,85	3,85

## Εγγύηση

Η Black & Decker είναι σίγουρη για την ποιότητα των προϊόντων της και προσφέρει στους καταναλωτές εγγύηση 24 μηνών από την ημερομηνία αγοράς. Αυτή η εγγύηση συμπληρώνει και με κανένα τρόπο δεν παραβάλλει τα νόμιμα δικαιώματά σας. Η εγγύηση ισχύει εντός της επικράτειας των χωρών μελών της Ευρωπαϊκής Ένωσης και της Ευρωπαϊκής Ζώνης Ελεύθερων Συναλλαγών.

Για να υποβάλετε αξίωση βάσει της εγγύησης, η αξίωση θα πρέπει να είναι σύμφωνη με τους Όρους και προϋποθέσεις της Black & Decker και θα χρειαστεί να υποβάλει απόδειξη αγοράς στον πωλητή ή σε εξουσιοδοτημένο αντιπρόσωπο επισκευών. Μπορείτε να αποκτήσετε τους Όρους και προϋποθέσεις της εγγύησης 2 ετών της Black & Decker και να μάθετε την τοποθεσία του πλησιέστερου εξουσιοδοτημένου αντιπροσώπου επισκευών στο Internet στο [www.2helpU.com](http://www.2helpU.com), ή επικοινωνώντας με το τοπικό σας γραφείο Black & Decker στη διεύθυνση που υποδεικνύεται στο παρόν εγχειρίδιο.

Παρακαλούμε επισκεφθείτε την ιστοσελίδα μας [www.blackanddecker.gr](http://www.blackanddecker.gr) για να καταχωρίσετε το νέο σας προϊόν Black & Decker και για να ενημερώνεστε για τα νέα προϊόντα και τις ειδικές προσφορές.

<b>België/Belgique/Luxembourg</b> www.blackanddecker.be enduser.be@sbdinc.com	Stanley Black & Decker Belgium BVBA Egide Walschaertsstraat 16 2800 Mechelen	Tel. NL +32 15 47 37 65 Tel. FR +32 15 47 37 66 Fax. +32 15 47 37 99
<b>Danmark</b>	Black & Decker Roskildevej 22 2620 Albertslund	kundeservice.dk@sbdinc.com www.blackanddecker.dk
<b>Deutschland</b> www.blackanddecker.de infobfge@sdbinc.com	Stanley Black & Decker Deutschland GmbH Black & Decker Str. 40, D - 65510 Idstein	Tel. 06126 21-0 Fax 06126 21-2980
<b>Ελλάδα</b> www.blackanddecker.gr greece.service@sbdinc.com	Stanley Black & Decker (ΕΛΛΑΣ) Ε.Π.Ε ΓΡΑΦΕΙΑ: Σπύριδωνος 7 & Βουλιαγμένης 166 74 Γλυφάδα - Αθήνα	Τηλ. 210-8981616 Φαξ 210-8983570
<b>SERVICE:</b>	Ημερος Τόπος 2 -Χάνι Αδάμ 193 00 Ασπρόπυργος - Αθήνα	Τηλ. Service 210-8985208 Φαξ 210-5597598
<b>España</b> www.blackanddecker.es respuesta.posventa@sbdinc.com	Stanley Black & Decker Ibérica, S.C.A. Parc de Negocis "Mas Blau" Edificio Muntadas, c/Bergadà, 1, Of. A6 08820 El Prat de Llobregat (Barcelona)	Tel. 934 797 400 Fax 934 797 419
<b>France</b> www.blackanddecker.fr	Black & Decker (France) S.A.S. 5 allée des Hêtres B.P. 30084 69579 Limonest Cédex	Tel. 04 72 20 39 20 Fax 04 72 20 39 00
<b>Helvetia</b> www.blackanddecker.ch service@rofoag.ch	ROFO AG Gewerbezone Seeblick 3213 Kleinbösingen	Tel. 026-6749393 Fax 026-6749394
<b>Italia</b> www.blackanddecker.it service.italia@sbdinc.com	Stanley Black & Decker Italia Via Energypark 6 20871 Vimercate (MB)	Tel. 039-9590200 Fax 039-9590313 Numero verde 800-213935
<b>Nederland</b> www.blackanddecker.nl enduser.nl@sbdinc.com	Stanley Black & Decker Netherlands BV Holtum Noordweg 35, 6121 RE BORN Postbus 83, 6120 AB BORN	Tel. +31 164 283 065 Fax +31 164 283 200
<b>Norge</b>	Black & Decker Postboks 4613, Nydalen 0405 Oslo	kundeservice.no@sbdinc.com www.blackanddecker.no
<b>Österreich</b> www.blackanddecker.at service.austria@sbdinc.com	Stanley Black & Decker Austria GmbH Oberlaaerstraße 248, A-1230 Wien	Tel. 01 66116-0 Fax 01 66116-614
<b>Portugal</b> www.blackanddecker.pt resposta.posvenda@sbdinc.com	Black & Decker Limited SARL Quinta da Fonte - Edifício Q55 D. Diniz Rua dos Malhães, 2 e 2A - Piso 2 Esquerdo 2770 - 071 Paço de Arcos	Tel. 214667500 Fax 214667580
<b>Suomi</b>	Black & Decker PL47 00521, Helsinki	asiakaspalvelu.fi@sbdinc.com www.blackanddecker.fi
<b>Sverige</b>	Black & Decker AB Box 94, 431 22 Mölndal	kundservice.se@sbdinc.com www.blackanddecker.se
<b>Türkiye</b> www.blackanddecker.com.tr	KALE Hirdavat ve Makina A.Ş. Defferdar Mah. Savaklar Cad. No:15 Edimekapı / Eyüp / İstanbul 34050	Tel. 0212 533 52 55 Fax. 0212 533 10 05
<b>United Kingdom &amp; Republic Of Ireland</b> www.blackanddecker.co.uk emeaservice@sbdinc.com	Black & Decker 210 Bath Road Slough, Berkshire SL1 3YD	Tel. 01753 511234 Fax 01753 512365
<b>Middle East &amp; Africa</b> www.blackanddecker.ae service.mea@sbdinc.com	Black & Decker P.O.Box - 17164 Jebel Ali Free Zone (South), Dubai, UAE	Tel. +971 4 8863030 Fax +971 4 8863333