

Panasonic®

Operating Instructions
Bedienungsanleitung
Gebruiksaanwijzing
Mode d'emploi
Manuale di istruzioni
Instrucciones de funcionamiento
Manual de instruções
Instrukcja obsługi
Bruksanvisning
Brugsanvisning
Bruksanvisning
Käyttöohjeet
Instrukcja obsługi
Návod na obsluhu
Kezelési útmutató
Instrucțiuni de operare

Microwave Oven
Mikrowellengerät
Magnetron Oven
Four à Micro-ondes
Forno a Microonde
Horno Microondas
Forno Micro-Ondas
Kuchenka Mikrofalowa
Mikrovågor
Mikrobølgeovn
Mikrobølge
Mikroaaltouuni
Kuchenka mikrofalowa z grillem
Mikrovlinná rúra
Grillezös/mikrohullámú sütő
Cuptor cu microunde

Model No.: NN-E201 WM / NN-E221 MM

English

Nederlands

Deutsch

Français

Italiano

Español

Português

Polski

Svensk

Dansk

Norsk

Suomi

Česky

Slovensky

Magyar

Română

IMPORTANT SAFETY INSTRUCTIONS: Before operating this oven, please read these instructions carefully and keep for future reference.

WICHTIGE SICHERHEITSANWEISUNGEN. Bitte sorgfältig durchlesen und zur weiteren Bezugnahme aufbewahren.

BELANGRIJKE VEILIGHEIDSINSTRUCTIES. Lees ze a.u.b. zorgvuldig door en bewaar ze zodat u ze opnieuw kunt raadplegen wanneer nodig.

INSTRUCTIONS DE SÛRETÉ IMPORTANTES. Avant d'utiliser le four à micro-ondes, lisez attentivement les recommandations d'utilisation et conservez-les soigneusement.

ISTRUZIONI IMPORTANTI PER LA SICUREZZA. Leggere attentamente queste note e conservarle per riferimento futuro.

INSTRUCCIONES SOBRE SEGURIDAD IMPORTANTES. Léalas detenidamente y guárdelas para futura referencia.

INSTRUÇÕES DE SEGURANÇA IMPORTANTES. Leia atentamente as instruções de segurança e guarde-as para futuras consultas.

WAŻNE INSTRUKCJE BEZPIECZEŃSTWA. Prosimy o dokładne zapoznanie się z instrukcją i zachowanie jej.

VIGTIGE SIKKERHEDSFORSKRIFTER. Læses omhyggeligt, og opbevares til senere brug.

VIKTIGE SIKKERHETSINSTRUKSJONER. Les nøye, og oppbevar på et trygt sted slik at du kan slå opp ved behov.

TÄRKEITÄ TURVALLISUUSTIETOJA. Lue nämä ohjeet huolellisesti ja säilytä ne myöhempää tarvetta varten.

VIKTIGA SÄKERHETSANVISNINGAR. Läs igenom anvisningarna noga och spara dem för framtida referens.

DŮLEŽITÉ BEZPEČNOSTNÍ POKYNY. Před uvedením trouby do provozu si laskavě pečlivě přečtěte tyto pokyny a uschovejte je pro budoucí použití.

DÔLEŽITÉ BEZPEČNOSTNÉ UPOZORNENIE. Pred uvedením tejto mikrovlnnej rúry do činnosti si dôkladne naštudujte tento návod na obsluhu a odložte si ho pre prípad potreby v budúcnosti.

FONTOS BIZTONSÁGI TUDNIVALÓK

Kérjük, olvassa el gondosan, és őrizze meg a későbbiekben.

INSTRUCȚIUNI DE SIGURANȚĂ IMPORTANTE: Înainte de utilizarea a acestui cuptor, vă rugăm să citiți cu atenție aceste instrucțiuni și să le păstrați pentru referințe ulterioare.

- Important safety instructions. Before operating this oven, please read these instructions carefully and keep for future reference.
- This appliance can be used by children aged from 8 years and above and persons with reduced physical, sensory and mental capabilities or lack of experience and knowledge if they have been given supervision or instruction by a person responsible for their safety concerning the use of the appliance in a safe way and understand the hazards involved. Children shall not play with the appliance. Cleaning and user maintenance shall not be made by children without supervision. Keep the appliance and its cord out of reach of children less than 8 years.
- When this oven is installed, it should be easy to isolate the appliance from the electricity supply by pulling out the plug or operating a circuit breaker.

- If the supply cord is damaged, it must be replaced by the manufacturer or its service agent or a similarly qualified person in order to avoid a hazard.
- Warning! The appliance should be inspected for damage to the door seals and door seal areas and if these areas are damaged the appliance should not be operated until it has been repaired by a service technician trained by the manufacturer.
- Warning! Do not attempt to tamper with or make any adjustments or repairs to the door, control panel housing, safety interlock switches or any other part of the oven. Do not remove the outer panel from the oven which gives protection against exposure to microwave energy. Repairs should only be by a qualified service person.
- Liquids and other foods must not be heated in sealed containers since they are liable to explode.

- **Warning!** Do not place this oven near an electric or gas cooker range.
- **Warning!** Only allow children to use the oven without supervision when adequate instructions have been given so that the child is able to use the oven in a safe way and understands the hazards of improper use.

For Countertop use:

- Oven must be placed on a flat, stable surface 85cm above the floor, with rear of oven placed against a back wall. If one side of the oven is placed flush to a wall, the other side or top must not be blocked. Allow 15cm of space on the top of the oven.
- When heating food in plastic or paper containers, check the oven frequently as these types of containers ignite if overheated.

- If smoke is emitted or a fire occurs in the oven, press Stop/Cancel button and leave the door closed in order to stifle any flames. Disconnect the power cord, or shut off power at fuse or circuit breaker panel.

- When heating liquids, e.g. soup, sauces and beverages in your oven, overheating the liquid beyond boiling point can occur without evidence of bubbling. This could result in a sudden boil over of the hot liquid.

- The contents of feeding bottles and baby food jars are to be stirred or shaken. The temperature has to be checked before consumption to avoid burns.

- Do not cook eggs in their shells and whole hard-boiled eggs by MICROWAVE. Pressure may build up and the eggs may explode, even after the microwave heating has ended.

- Clean the inside of the oven, door seals and door seal areas regularly. When food splatters or spilled liquids adhere to the oven walls, door seals and door seal areas wipe off with a damp cloth. Mild detergent may be used if they get very dirty. The use of harsh detergent or abrasive is not recommended.

- DO NOT USE COMMERCIAL OVEN CLEANERS.

- Failure to maintain the oven in a clean condition could lead to deterioration of surfaces that could affect the life of the appliance and possibly result in a hazardous situation.

- A steam cleaner is not to be used for cleaning.

- Do not use harsh, abrasive cleaners or sharp metal scrapers to clean the oven door glass since they can scratch the surface, which may result in shattering of the glass.

- This appliance is not intended to be operated by means of an external timer or separate remote-control system.

- Only use utensils that are suitable for use in microwave ovens.

Installation and Connection

Examine your microwave oven

Unpack the oven, remove all packing material, and examine the oven for any damage such as dents, broken door latches or cracks in the door. If you find any damage, notify your dealer immediately. Do not install a damaged microwave oven.

Earthing instructions

IMPORTANT: THIS UNIT HAS TO BE PROPERLY EARTHED FOR PERSONAL SAFETY.

If your AC outlet is not grounded, it is the personal responsibility of the customer to have it replaced with a properly grounded wall socket.

Operation voltage

The voltage has to be the same as specified on the label on the oven. If a higher voltage than specified is used, it may cause a fire or other damages.

Placement of the Oven

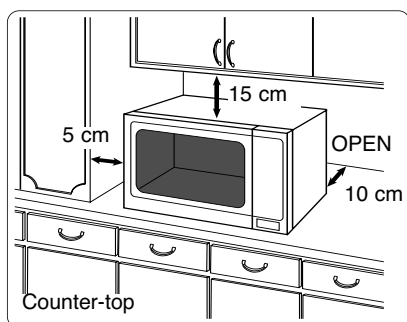
This oven is intended for household countertop use only. It is not intended for built-in use or use inside a cabinet.

1. Place the oven on a flat and stable surface, more than 85 cm above the floor.
2. When this oven is installed, it should be easy to isolate the appliance from the electricity supply by pulling out the plug or operating a circuit breaker.

3. For proper operation, ensure a sufficient air circulation for the oven.

Counter-top use:

- a. Allow 15 cm of space on the top of the oven, 10 cm at the back, 5 cm on one side, and the other side must be opened more than 40 cm.
 - b. If one side of the oven is placed flush to a wall, the other side or top must not be blocked.
4. Do not place this oven near an electric or gas cooker range.
 5. The feet should not be removed.
 6. This oven is only for household usage. Do not use outdoors.
 7. Avoid using the microwave oven in high humidity.
 8. The power cord should not touch the outside of the oven. Keep the cord away from hot surfaces. Do not let the cord hang over the edge of a table or work top. Do not immerse the cord, plug or oven in water.
 9. Do not block the air vents on the top and back of the oven. If these openings are blocked during operation the oven may overheat. In this case the oven is protected by a thermal safety device and resumes operation only after cooling down.
 10. This appliance is not intended to be operated by means of an external timer or separate remote-control system.



Installation and Connection

WARNING

Important Safety Instructions

1. The door seals and seal areas should be cleaned with a damp cloth.
The appliance should be inspected for damage to the door seals and door seal areas and if these areas are damaged the appliance should not be operated until it has been repaired by a service technician trained by the manufacturer.
2. Do not attempt to tamper with or make any adjustments or repairs to the door, control panel housing, safety interlock switches or any other part of the oven. Do not remove the outer panel from the oven which gives protection against exposure to microwave energy.
Repairs should only be done by a qualified service person.
3. Do not operate this appliance if it has a damaged CORD OR PLUG, if it is not working properly, or if it has been damaged or dropped. It is dangerous for anyone other than a service technician trained by the manufacturer to perform repair service.
4. If the supply cord is damaged, it must be replaced by the manufacturer or its service agent or a similarly qualified person in order to avoid hazard.
5. Only allow children to use the oven without supervision when adequate instructions have been given so that the child is able to use the oven in a safe way and understands the hazards of improper use.
6. Liquids and other foods must not be heated in sealed containers since they are liable to explode.
7. This appliance is not intended for use by persons (including children) with reduced physical, sensory or mental capabilities, or lack of experience and knowledge unless they have been given supervision or instruction concerning use of the appliance by a person responsible for their safety. Children should be supervised to ensure that they do not play with the appliance.

Safety Instructions

Use of your oven

1. Do not use the oven for any reason other than the preparation of food. This oven is specifically designed to heat or cook food. Do not use this oven to heat chemicals or other non-food products.
2. Before use, check that utensils/containers are suitable for use in microwave ovens.
3. Do not attempt to use this microwave oven to dry newspaper, clothing or any other materials. They may catch on fire.
4. When the oven is not being used, do not store any objects other than oven accessories inside the oven in case it is accidentally turned on.
5. The appliance shall not be operated **WITHOUT FOOD IN THE OVEN**. Operation in this manner may damage the appliance.
6. If smoke or a fire occurs in the oven, turn **TIMER SELECT DIAL** back to zero position and leave door closed. Disconnect the power cord, or shut off power at fuse or circuit breaker panel.

Oven Light

When it becomes necessary to replace the oven light, please consult your dealer.

Accessories

The oven comes equipped with a variety of accessories. Always follow the directions given for use of the accessories.

Glass Tray

1. Do not operate the oven without the roller ring and the glass tray in place.
2. Never use another type of glass tray than the one specially designed for this oven.
3. If the glass tray is hot, let it cool before cleaning or placing in water.
4. The glass tray can turn in either direction.
5. If the food or cooking vessel on the glass tray touches the oven walls and stops the tray rotating, the tray will automatically rotate in the opposite direction. This is normal.
6. Do not cook foods directly on the glass tray.

Roller Ring

1. The roller ring and the oven floor should be cleaned frequently to prevent noise and build-up of remaining food.
2. The roller ring must always be used for cooking together with the glass tray.

Important Information

1. Cooking Times

The cooking time depends on the condition, temperature, amount of food and on the type of cookware.

Begin with the minimum cooking time to help prevent overcooking. If the food is not sufficiently cooked you can always cook it for a little longer.

N.B.: If the recommended cooking times are exceeded the food will be spoiled and in extreme circumstances could catch fire and possibly damage the interior of the oven.

2. Small Quantities of Foods

Small quantities of food or foods with low moisture content can burn, dry out or catch on fire if cooked too long. If materials inside the oven should ignite, keep the oven door closed, turn the oven off and remove the plug from the socket.

3. Eggs

Do not cook eggs in their shells and whole hard-boiled eggs by MICROWAVE. Pressure may build up and the eggs may explode, even after the microwave heating has ended.

4. Piercing Skin

Food with non porous skins, such as potatoes, egg yolks and sausages must be pierced before cooking by MICROWAVE to prevent bursting.

5. Meat Thermometer

Use a meat thermometer to check the degree of cooking of roasts and poultry only when the meat has been removed from the oven. Do not use a conventional meat thermometer in the microwave oven because it may cause sparking.

6. Liquids

When heating liquids, e.g. soup, sauces and beverages in your microwave oven, overheating the liquid beyond boiling point can occur without evidence of bubbling. This could result in a sudden boil over of the hot liquid.

To prevent this possibility the following steps should be taken:

- a. Avoid using straight-sided containers with narrow necks.
- b. Do not overheat.
- c. Stir the liquid before placing the container in the oven and again halfway through the cooking time.
- d. After heating, allow it to stand in the oven for a short time, stir again before carefully removing the container.

7. Paper/Plastic

When heating food in plastic or paper containers, check the oven frequently as these types of containers ignite if overheated.

Do not use recycled paper products (e.g. Kitchen Roll) unless the paper product is labelled as safe for microwave oven use. Recycled paper products may contain impurities which may cause sparks and/or fires during use.

Remove wire twist-ties from roasting bags before placing the bags in the oven.

8. Utensils/Foil

Do not heat any closed cans or bottles because they might explode.

Metal containers or dishes with metallic trim should not be used during microwave cooking. Sparking will occur.

If you use any aluminium foil, meat spikes or metalware the distance between them and the oven walls and door should be at least 2 cm to prevent sparking.

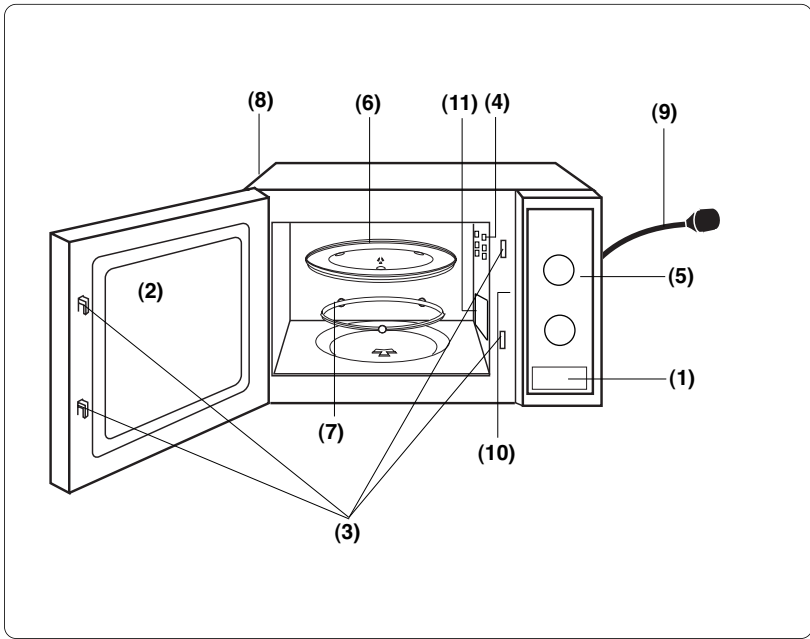
9. Feeding Bottles/Baby Food Jars

The top and teat or lid must be removed from feeding bottles or baby food jars before placing in the oven.

The contents of feeding bottles and baby food jars are to be stirred or shaken.

The temperature has to be checked before consumption to avoid burns.

Outline Diagram



(1) Door Release Pad

Press to open the door. When you open the oven door during cooking, the cooking is stopped temporarily without clearing earlier made settings. Cooking continues as soon as the door is closed.

(2) Oven Window

(3) Door Safety Lock System

(4) Oven Air Vent

(5) Control Panel

(6) Glass Tray

(7) Roller Ring

(8) External Oven Air Vents

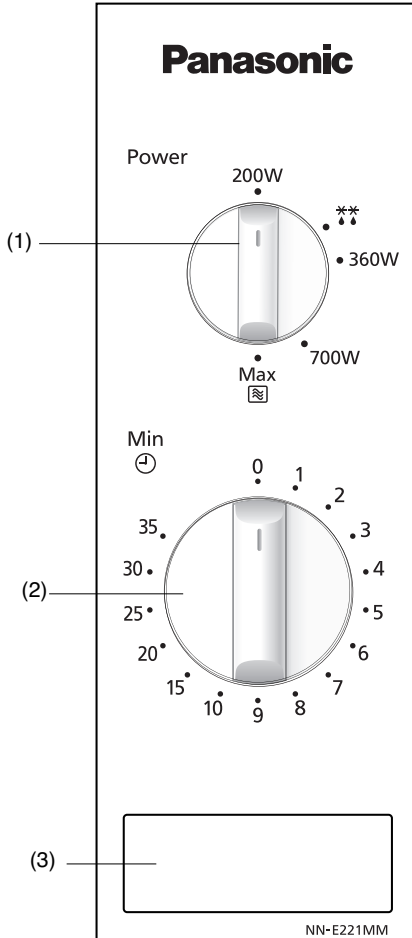
(9) Power cord

(10) Identification label

(11) Feed Guide (Do not remove)

Control Panels

NN-E201WM / NN-E221MM *

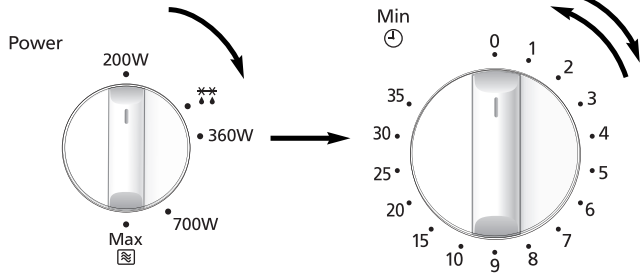


- (1) Microwave Power/Defrost Selection dial
- (2) Timer
- (3) Door Release Pad

***N.B. The design of your control panel may vary from the panel displayed (depending on colour), but the functionality will remain the same.**

Microwave Cooking

	Wattage
Max	800 Watts
Medium	700 Watts
Low	360 Watts
Defrost	270 Watts
Warm	200 Watts



- Turn dial to select power level.

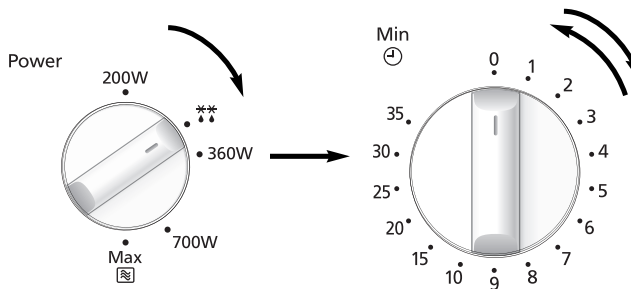
- Set cooking time by turning dial. If the door is already closed, cooking time will begin immediately. For short cooking times always turn the dial to 2 mins and then adjust to time required.

Notes

1. If you wish to check the food during cooking simply open the door. The oven will automatically stop cooking. To continue cooking, close the door.
2. To stop cooking, turn timer dial to zero position. Cooking time can be reset at any time during the cooking cycle by turning the timer dial.
3. When food is removed from the oven after cooking is complete, check the timer is in the zero position.
4. The glass turntable must always be in position when using the oven.

Defrosting

** Defrost power is 270 Watts.

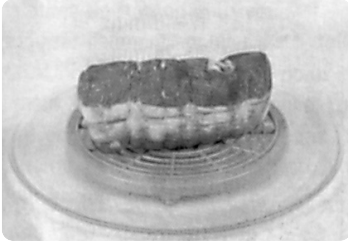


- Select Defrost power by turning the dial.

- Set the defrosting time by turning the dial. If the door is already closed, cooking time will begin immediately. For short cooking times always turn the dial to 2 mins and then adjust to time required.

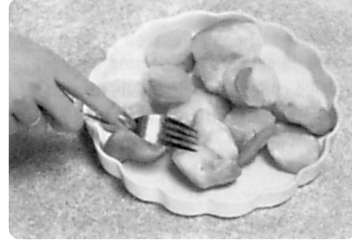
Defrosting Guidelines

Tips for Defrosting



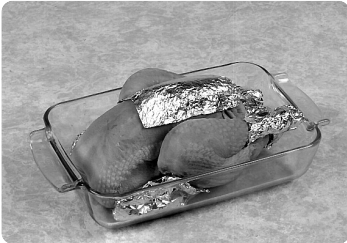
Standing times

Individual portions of food may be cooked almost immediately after defrosting. It is normal for large portions of food to be frozen in the centre. Before cooking, allow to stand for a **minimum of one hour**. During this standing time, the temperature becomes evenly distributed and the food is defrosted by conduction. **N.B.** If the food is not going to be cooked immediately, store it in the refrigerator. Never refreeze defrosted food without first cooking it.



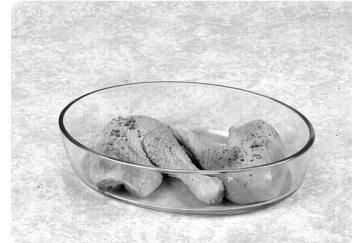
Minced meat or cubes of meat and seafood

Since the outside of these foods quickly defrosts, it is necessary to separate them, break the blocks into pieces frequently while defrosting and remove them when they have defrosted.



Joints and Poultry

It is preferable to place the joints on an upturned plate or plastic rack so that they are not resting in the juices. It is essential to protect delicate or projecting parts of this food with small pieces of foil to prevent these parts from cooking. It is not dangerous to use small pieces of foil in your oven, provided **they do not come into contact with the oven walls**.



Small portions of food

Chops and chicken pieces must be separated as soon as possible so that they defrost evenly throughout.

Fatty parts and the ends defrost more quickly. Place them near the centre of the turntable or protect them.

Bread

Loaves will require standing time to allow the centre to thaw. Standing time can be shortened if slices are separated and rolls and loaves cut in half.

Questions and Answers

Q: Why won't my oven turn on?

A: When the oven does not turn on, check the following:

1. Is the oven plugged in securely? Remove the plug from the outlet, wait 10 seconds and reinsert.
2. Check the circuit breaker and the fuse. Reset the circuit breaker or replace the fuse if it is tripped or blown.
3. If the circuit breaker or fuse is all right, plug another appliance into the outlet. If the other appliance works, there probably is a problem with the oven. If the other appliance does not work, there probably is a problem with the outlet. If it seems that there is a problem with the oven, contact an authorized Service Center.

Q: My microwave oven causes interference with my TV. Is this normal?

A: Some radio and TV interference might occur when you cook with the microwave oven. This interference is similar to the interference caused by small appliances such as mixers, vacuums, blow dryers, etc. It does not indicate a problem with your oven.

Q: Why does my oven light dim?

A: When cooking with a power other than 800W (MAX Power), the oven must cycle to obtain the lower power levels. The oven light dims and clicking noises can be heard when the oven cycles.

Q: Sometimes warm air comes from the oven vents. Why?

A: The heat given off from the cooking food warms the air in the oven cavity. This warmed air is carried out of the oven by the air flow pattern in the oven. There are no microwaves in the air. The oven vents should never be blocked during cooking.

Care of Your Oven

1. Turn the oven off before cleaning.
2. Keep the inside of the oven, door seals and door seal areas clean. When food splatters or spilled liquids adhere to the oven walls, door seals and door seal areas wipe off with a damp cloth. Mild detergent may be used if they get very dirty. The use of harsh detergent or abrasive is not recommended.
DO NOT USE COMMERCIAL OVEN CLEANERS.
3. The outside oven surface should be cleaned with a damp cloth. To prevent damage to the operating parts inside the oven, water should not be allowed to seep into the ventilation openings.
4. If the Control Panel becomes dirty, clean it with a soft, dry cloth. Do not use harsh detergents or abrasives on the Control Panel. When cleaning the Control Panel leave the oven door open to prevent the oven from accidentally turning on. After cleaning turn TIMER DIAL back to ZERO position.
5. If steam accumulates inside or around the outside of the oven door, wipe with a soft cloth. This may occur when the microwave oven is operated under high humidity conditions and in no way indicates a malfunction of the unit.
6. It is occasionally necessary to remove the glass tray for cleaning. Wash the tray in warm soapy water or in a dishwasher.
7. The roller ring and oven cavity floor should be cleaned regularly to avoid excessive noise. Simply wipe the bottom surface of the oven with mild detergent and hot water then dry with a clean cloth. The roller ring may be washed in mild soapy water. Cooking vapours collect during repeated use but in no way affects the bottom surface or roller ring wheels. After removing the roller ring from the cavity floor for cleaning, be sure to replace it in the proper position.
8. This oven should only be serviced by qualified personnel. For maintenance and repair of the oven contact the nearest authorized dealer.
9. A steam cleaner must not be used for cleaning.
10. Failure to maintain the oven in a clean condition could lead to deterioration of surfaces that could affect the life of the appliance and possibly result in a hazardous situation.
11. Keep air vents clear at all times. Check that no dust or other material is blocking any of the air vents on the top, bottom or rear of the oven. If air vents become blocked this could cause overheating which would affect the operation of the oven and possibly end in a hazardous situation.
12. Do not use harsh abrasive cleaners or sharp metal scrapers to clean the oven door glass since they can scratch the surface, which may result in shattering of the glass.

Technical Specifications

Power Source:	230 V ~ 50 Hz	
Power Consumption:	Microwave;	1250 W
Output:	Microwave;	800W (IEC-60705)
Outside Dimensions:	443 (W) x 340 (D) x 258 (H) mm	
Oven Cavity Dimensions:	306 (W) x 308 (D) x 215 (H) mm	
Uncrated Weight:	12.0 kg	
Noise level:	57 dB	

Specifications subject to change without notice.

This product is an equipment that fulfills the European standard for EMC disturbances (EMC = Electromagnetic Compatibility) EN 55011. According to this standard this product is an equipment of group 2, class B and is within required limits. Group 2 means that radio-frequency energy is intentionally generated in the form of electromagnetic radiation for purpose of warming or cooking food. Class B means that this product may be used in normal household areas.



Information on Disposal for Users of Waste Electrical & Electronic Equipment (private households)

This symbol on the products and/or accompanying documents means that used electrical and electronic products should not be mixed with general household waste.

For proper treatment, recovery and recycling, please take these products to designated collection points, where they will be accepted on a free of charge basis. Alternatively, in some countries you may be able to return your products to your

local retailer upon the purchase of an equivalent new product.

Disposing of this product correctly will help to save valuable resources and prevent any potential negative effects on human health and the environment which could otherwise arise from inappropriate waste handling. Please contact your local authority for further details of your nearest designated collection point.

Penalties may be applicable for incorrect disposal of this waste, in accordance with national legislation.

For business users in the European Union

If you wish to discard electrical and electronic equipment, please contact your dealer or supplier for further information.

Information on Disposal in other Countries outside the European Union

This symbol is only valid in the European Union.

If you wish to discard this product, please contact your local authorities or dealer and ask for the correct method of disposal.

Pursuant to the EMC Directive 2004/108/EC, article 9(2):-
 Panasonic Testing Centre
 Panasonic Service Europe, a division of Panasonic Marketing Europe GmbH
 Winsbergring 15, 22525 Hamburg, F.R. Germany.
 Manufactured for Panasonic Corporation by GMMEAM
 No. 6 Yong An RD, Beijiao, Shunde, Foshan, Guangdong, Peoples Republic of China.

Panasonic Corporation

Web Site:<http://panasonic.com.net>

261800315167
Printed in P.R.C.

© Panasonic Corporation 2011