

PHILIPS

1000 series

Soundbar Speaker

HTL1520B

User manual



Register your product and get support at
www.philips.com/support

Contents

1 Important	2
Help and support	2
Safety	2
Care for your product	3
Care of the environment	3
Compliance	4

2 Your SoundBar	4
Main unit	4
Remote control	5
Connectors	6

3 Connect	6
Placement	6
Connect the SoundBar and the Subwoofer	7
Connect audio from TV and other devices	7

4 Use your SoundBar	9
Adjust the volume	9
MP3 player	9
Play audio through Bluetooth	10
Auto standby	10
Apply factory settings	10
Update software	10

5 Wall mount	11
---------------------	----

6 Product specifications	11
---------------------------------	----

7 Troubleshooting	12
--------------------------	----

1 Important

Read and understand all instructions before you use your product. If damage is caused by failure to follow instructions, the warranty does not apply.

Help and support

For extensive online support, visit www.philips.com/support to:

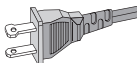
- download the user manual and the quick start guide
- watch video tutorials (available only for selected models)
- find answers to frequently answered questions (FAQs)
- email us a question
- chat with our support representative.

Follow the instructions on the website to select your language, and then enter your product model number.

Alternatively, you can contact Consumer Care in your country. Before you contact, note down the model number and serial number of your product. You can find this information on the back or bottom of your product.

Important safety instructions

- **Read these instructions.**
- **Keep these instructions.**
- **Heed all warnings.**
- **Follow all instructions.**
- **Do not use this apparatus near water.**
- **Clean only with dry cloth.**
- **Do not block any ventilation openings. Install in accordance with the manufacturer's instructions.**
- **Do not install near any heat sources** such as radiators, heat registers, stoves, or other apparatus (including amplifiers) that produce heat.
- **Do not defeat the safety**



purpose of the polarized or grounding-type plug.

A polarized plug has two blades with one wider than the other. A grounding type plug has two blades and a third grounding prong. The wide blade or the third prong are provided for your safety. If the provided plug does not fit into your outlet, consult an electrician for replacement of the obsolete outlet.

- **Protect the power cord** from being walked on or pinched, particularly at plugs, convenience receptacles, and the point where they exit from the apparatus.
- **Only use attachments/accessories** specified by the manufacturer.
- **Use only with the cart,**



stand, tripod, bracket or table specified by the manufacturer or sold with the apparatus. When a cart is used, use caution when moving the cart/apparatus combination to avoid injury from tip-over.

- **Unplug this apparatus** during lightning storm or when unused for long periods of time.
- **Refer all servicing** to qualified service personnel. Servicing is required when the apparatus has been damaged in any way, such as power-supply cord or plug is damaged, liquid has been spilled or objects have fallen into the apparatus, the apparatus has been exposed to rain or moisture, does not operate normally, or has been dropped.
- **Battery usage CAUTION** - To prevent battery leakage which may result in bodily injury, property damage, or damage to the unit:
 - Install **all** batteries correctly, + and - as marked on the unit.
 - Do not mix batteries (**old and new** or **carbon and alkaline**, etc.).
 - Remove batteries when the unit is not used for a long time.
 - The batteries shall not be exposed to excessive heat such as sunshine, fire or the like.

- Perchlorate Material - special handling may apply. See www.dtsc.ca.gov/hazardouswaste/perchlorate.
- The product/remote control may contain a coin/button type battery, which can be swallowed. Keep the battery out of reach of children at all times! If swallowed, the battery can cause serious injury or death. Severe internal burns can occur within two hours of ingestion.
- If you suspect that a battery has been swallowed or placed inside any part of the body, seek immediate medical attention.
- When you change the batteries, always keep all new and used batteries out of reach of children. Ensure that the battery compartment is completely secure after you replace the battery.
- If the battery compartment cannot be completely secured, discontinue use of the product. Keep out of reach of children and contact the manufacturer.
- **Apparatus shall not be exposed to dripping or splashing.**
- **Do not place any sources of danger on the apparatus** (for example, liquid filled objects, lighted candles).
- This apparatus may contain lead and mercury. Dispose according to local, State or Federal laws. For disposal or recycling information, please contact your local authorities. For additional assistance on recycling options, please contact www.mygreenelectronics.com or www.eiae.org or www.recycle.philips.com.
- Where the MAINS plug or an appliance coupler is used as the disconnect device, the disconnect device shall remain readily operable.
- Do not place this apparatus on the furniture that is capable of being tilted by a child and an adult leaning, pulling, standing or climbing on it. A falling apparatus can cause serious injury or even death.
- This apparatus should not be placed in a built-in installation such as a bookcase or

rack unless proper ventilation is provided. Make sure to leave a space of 7.8 inches (20cm) or more around this apparatus.

Class II equipment symbol



This symbol indicates that the unit has a double insulation system.

Know these safety symbols



This 'bolt of lightning' indicates uninsulated material within your unit may cause an electrical shock.

For the safety of everyone in your household, please do not remove product covering.



The 'exclamation point' calls attention to features for which you should read the enclosed literature closely to prevent operating and maintenance problems.

WARNING: To reduce the risk of fire or electric shock, this apparatus should not be exposed to rain or moisture and objects filled with liquids, such as vases, should not be placed on this apparatus.

CAUTION: To prevent electric shock, match wide blade of plug to wide slot, fully insert.

Care for your product

Use only microfiber cloth to clean the product.

Care of the environment

Disposal of your old product and battery



2 Your SoundBar

Your product is designed and manufactured with high quality materials and components, which can be recycled and reused.



This symbol on a product means that the product is covered by European Directive 2012/19/EU.



This symbol means that the product contains batteries covered by European Directive 2013/56/EU which cannot be disposed of with normal household waste. Inform yourself about the local separate collection system for electrical and electronic products and batteries. Follow local rules and never dispose of the product and batteries with normal household waste. Correct disposal of old products and batteries helps prevent negative consequences for the environment and human health.

Removing the disposable batteries

To remove the disposable batteries, see battery installation section.

Compliance

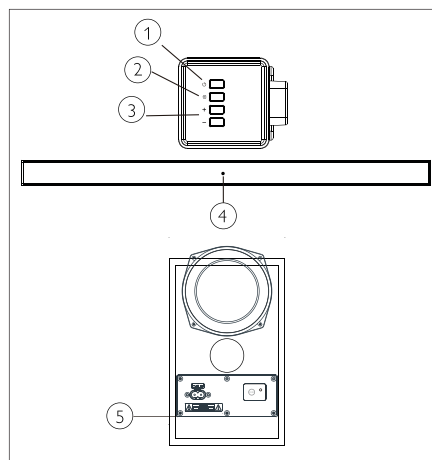
This product complies with the radio interference requirements of the European Community.



Hereby, MMD Hong Kong Holding Limited declares that this product is in compliance with the essential requirements and other relevant provisions of Directive 2014/53/EU. You can find the Declaration of Conformity on www.p4c.philips.com.

Congratulations on your purchase, and welcome to Philips! To fully benefit from the support that Philips offers, register your SoundBar at www.philips.com/welcome.

Main unit

This section includes an overview of the main unit.



- ①  Switch the soundbar on or to standby.
- ②  (SOURCE) Select an input source for the soundbar.
- ③ **Volume+/-** Increase or decrease volume.
- ④ **Soundbar's LED indicator**
 - Light up red when the soundbar is in standby.
 - Light up green when you switch to line in input source (3.5mm stereo audio cable).

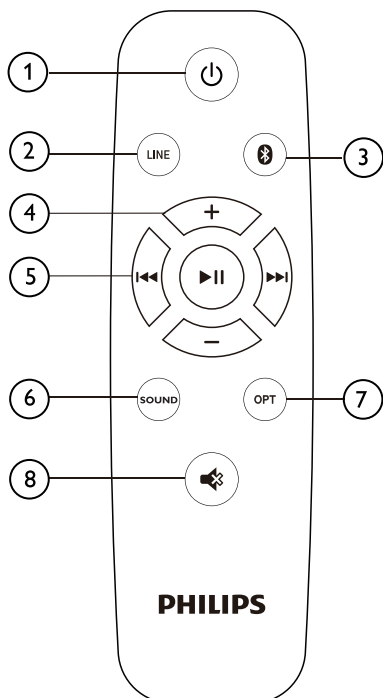
- Light up blue when you switch to Bluetooth mode and Bluetooth devices are paired.
- Light up yellow when you switch to optical input source.
- Blink red when you increase or decrease volume, solid red when you maximize or minimize volume.
- Blink red at a low rate when you mute the soundbar.

⑤ Subwoofer's LED indicator

- Blink red before it is connected with the SoundBar.
- Solid green when it is successfully connected with the SoundBar.

Remote control

This section includes an overview of the remote control.



① ⏻ (Standby-On)

Switch the SoundBar on or to standby.

② LINE

Switch to LINE IN mode.

③

Switch to Bluetooth mode.

④ +/- (Volume)

- Increase or decrease volume.

⑤ Play buttons / Bluetooth PAIRING

- : Play, pause or resume play in Bluetooth mode (only for AVRCP supported Bluetooth devices).
- : Skip to the previous or next track in Bluetooth mode (only for AVRCP-supported Bluetooth devices).
- (Long Press): Disconnect the currently connected Bluetooth device and start a new pairing

⑥ SOUND

Choose Music, Movie or News mode.

⑦ OPT

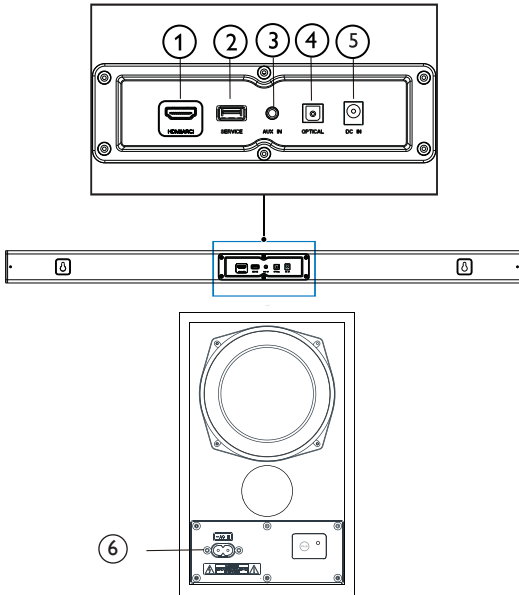
Switch your audio source to the optical connection.

⑧

Mute or restore volume.

Connectors

This section includes an overview of the connectors available on your SoundBar



- ① **HDMI (ARC)**
Connect to the HDMI input on the TV.
- ② **SERVICE**
For software upgrade.
- ③ **AUX IN**
Audio input from, for example, an MP3 player (3.5mm jack).
- ④ **OPTICAL**
Connect to an optical audio output on the TV or a digital device.
- ⑤ **DC IN**
Connect the soundbar to the power supply.
- ⑥ **AC IN**
Connect the Subwoofer to the power supply.

3 Connect

This section helps you connect your SoundBar to a TV and other devices.

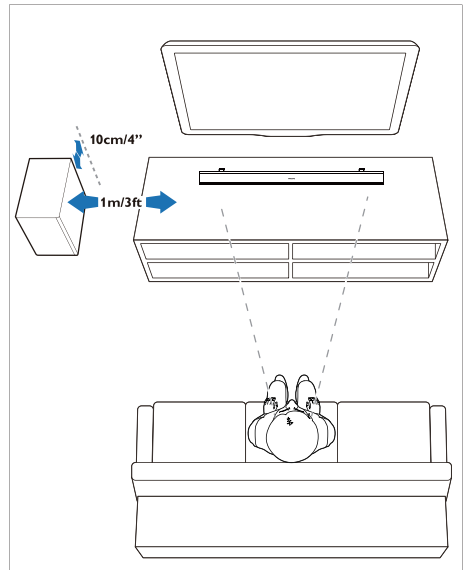
For information about the basic connections of your SoundBar and accessories, see the quick start guide.

Note

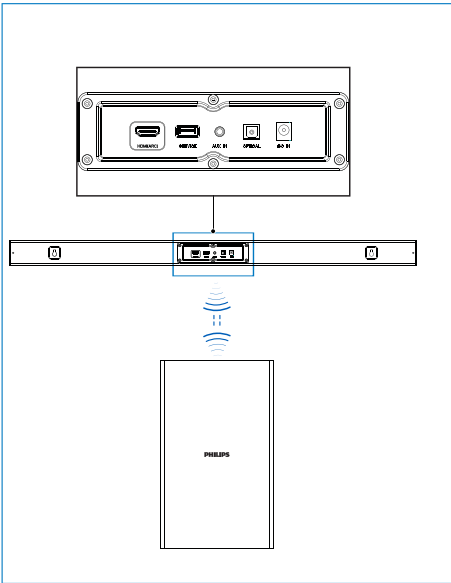
- For identification and supply ratings, refer to the type plate at the back or bottom of the product.
- Before you make or change any connections, make sure that all devices are disconnected from the power outlet.

Placement

Place your SoundBar and Subwoofer as shown below.



Connect the SoundBar and Subwoofer



Pair the Subwoofer manually

- If no audio is heard from the Subwoofer or the Subwoofer's indicator does not show Blue, follow the following steps to reset and pair the subwoofer again:
 1. Power off the Subwoofer and power on the SoundBar
 2. Long press the "SOURCE" button on the Soundbar for 5 seconds to initiate automatic search.
 3. Power on the Subwoofer, its indicator will show blue after blinking red for 8 seconds which means successful pair with the Soundbar.

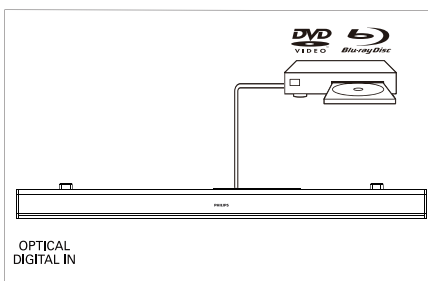
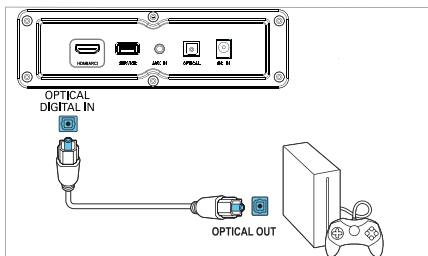
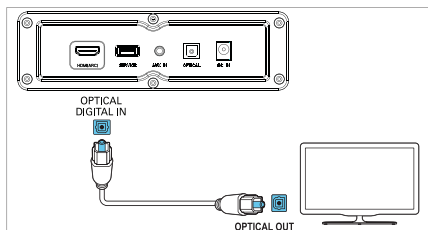
Connect the SoundBar and Subwoofer through Bluetooth.

- The Subwoofer will be connected with the SoundBar via Bluetooth signal.
- The Subwoofer's indicator will blink red before connected with the SoundBar, and will show solid blue after connected with the SoundBar.
- If the SoundBar and the Subwoofer has been paired before, when you again plug in and power on the SoundBar, the Subwoofer will be automatically be paired with the SoundBar with normal sound output and solid blue indicator. And the Subwoofer will be powered off automatically after the SoundBar being powered off.

Connect audio from TV and other devices

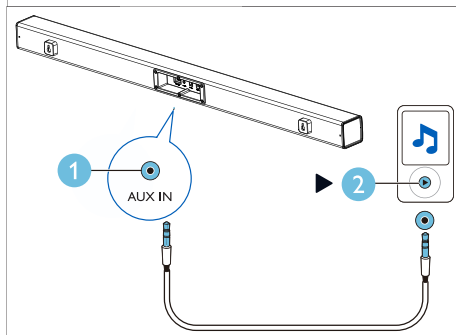
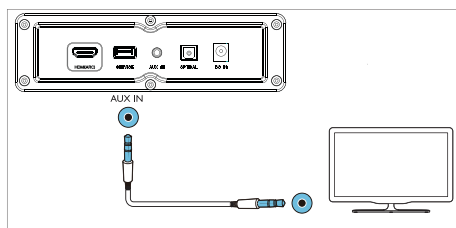
Option 1: Connect audio through a digital optical cable

Best quality audio



- 1 Using an optical cable, connect the **OPTICAL** connector on your SoundBar to the **OPTICAL OUT** connector on the TV or other device.
 - The digital optical connector might be labeled **SPDIF** or **SPDIF OUT**.

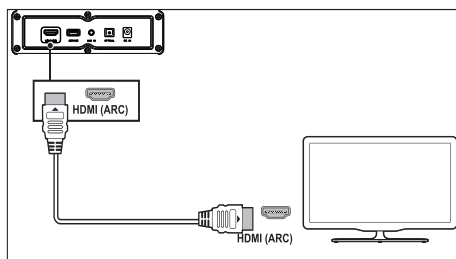
Option 2: Connect audio through a 3.5mm stereo audio cable



- 1 Using a 3.5mm stereo audio cable, connect the **LINE IN** connector on your SoundBar to the **LINE** connector on the TV or other device.

Option 3: Connect to HDMI (ARC) Socket

Your Soundbar supports HDMI with Audio Return Channel (ARC). If your TV is HDMI ARC compliant, you can hear the TV audio through your Soundbar by using a single HDMI cable.



- 1 Using a High Speed HDMI cable, connect the **HDMI OUT (ARC)-TO TV** connector on your Soundbar to the **HDMI ARC** connector on the TV.
 - The **HDMI ARC** connector on the TV might be labeled differently. For details, see the TV user manual.
- 2 On your TV, turn on **HDMI-CEC** operations. For details, see the TV user manual.



4 Use your SoundBar

This section helps you use the SoundBar to play audio from connected devices.

Before you start

- Make the necessary connections described in the Quick Start Guide or download the User Manual from www.philips.com/support.
- Switch the SoundBar to the correct source for other devices.

Adjust the volume

- 1 Press **+/- (Volume)** to increase or decrease a volume level.
 - To mute sound, press .
 - To restore the sound, press  again or press **+/- (Volume)**.

Volume indicator

- When you press the volume+ to increase the volume, the SoundBar's indicator will blink red, and the volume will return to the normal state after it reaches the maximum with the SoundBar's indicator showing solid red for 2 seconds.
- When you press the volume- to decrease the volume, the SoundBar's indicator will blink red, and the volume will return to the normal state after it reaches the minimum with the SoundBar's indicator showing solid red for 2 seconds.

MP3 player

Connect your MP3 player to play your audio files or music.

What you need

- An MP3 player.
- A 3.5mm stereo audio cable.

- 1 Using the 3.5mm stereo audio cable, connect the MP3 player to the **AUDIO IN** connector on your SoundBar.
- 2 Press **AUDIO IN** on the remote control.
- 3 Press the buttons on the MP3 player to select and play audio files or music.

Play audio through Bluetooth

Through Bluetooth, connect the SoundBar with your Bluetooth device (such as an iPad, iPhone, iPod touch, Android phone, or laptop), and then you can listen to the audio files stored on the device through your SoundBar speakers.

What you need

- A Bluetooth device which supports Bluetooth profile A2DP and AVRCP, and with Bluetooth version 4.2 or above.
 - The operational range between the SoundBar and a Bluetooth device is approximately 4 meters (13 feet).
- 1** Press **0** on the remote control to switch the SoundBar to Bluetooth mode.
↳ The soundbar's indicator blinks blue.
 - 2** On the Bluetooth device, switch on Bluetooth, search for and select **Philips HTL1520B** to start connection (see the user manual of the Bluetooth device on how to enable Bluetooth).
↳ During connection, the soundbar's indicator blinks blue.
 - 3** Wait until the soundbar's indicator becomes solid blue.
↳ If the connection fails, the indicator blinks continually at a lower rate.
 - 4** Select and play audio files or music on your Bluetooth device.
 - During play, if a call is coming, music play is paused.
 - If your Bluetooth device supports AVRCP profile, on the remote control you can press **◀/▶** to skip to a track, or press **⏸** to pause/resume play.
 - 5** To exit Bluetooth, select other source.
 - When you switch back to Bluetooth mode, Bluetooth connection remains active.

Note

- The music streaming may be interrupted by obstacles between the device and SoundBar, such as wall, metallic casing that covers the device, or other devices nearby that operate in the same frequency.
- If you want to connect your SoundBar with another Bluetooth device, press and hold **▶||** on the remote control to disconnect the currently connected Bluetooth device.

Auto standby

When playing media from a connected device, this product automatically switches to standby after 15 minutes of button inactivity and no audio play from a connected device.

Apply factory settings

You can reset your SoundBar to the default setting mode.

- 1** In LINE mode, long press the power key of the remote control for 5 seconds.
↳ The factory settings is restored.

Update software

To continually improve the product, software upgrade may be offered. Visit www.philips.com/support to check if the latest software version is available.

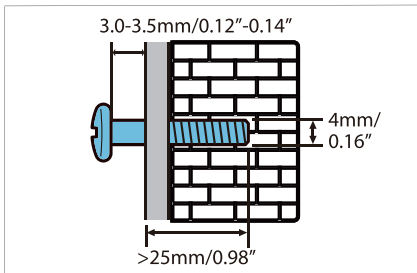
5 Wall mount

Note

- Improper wall mounting may result in accident, injury or damage. If you have any query, contact Consumer Care in your country.
- Before wall mounting, make sure the wall can support the weight of your SoundBar.

Screw length/diameter

Depending on the type of wall mounting your SoundBar, make sure that you use screws of a suitable length and diameter:



See the illustration in the quick start guide on how to wall mount the SoundBar:

- 1) Drill two holes on the wall.
- 2) Secure the dowels and screws in the holes.
- 3) Hang the SoundBar on the fastening screws.

6 Product specifications

Note

- Specifications and design are subject to change without notice.

Amplifier

- RMS total output power: 70W RMS (+/- 0.5 dB, 10% THD)
- Frequency response: 50 Hz-15 kHz / ± 3 dB
- Signal-to-noise ratio: > 65 dB (CCIR) / (A-weighted)
- Total Harmonic Distortion: <1%
- Input sensitivity:
 - LINE IN: 450mV +/-50mV

Audio

- S/PDIF Digital audio input:
 - Optical: TOSLINK
- Sampling frequency:

Bluetooth

- Bluetooth profiles: A2DP, AVRCP
- Bluetooth version: 4.2
- Frequency band/Output power: 2402 - 2480 MHz / ≤ 20 dBm

Main unit

Soundbar

- Power supply: 100-240V~, 50/60 Hz
- Power consumption: 15V/1.6A
- Standby power consumption: $\leq 0.5W$
- Dimensions (W x H x D):
960 x 63 x 76.5 mm
- Weight: 1.42kg
- **Built-in speakers:** 2 x full range
(52 mm/2", 4 ohm)

Subwoofer

- Power supply: 100-240V~, 50/60 Hz
- Power consumption: 20W
- Standby power consumption: $\leq 2W$
- Dimensions (W x H x D):
155 x 252 x 205 mm
- Weight: XX kg
- **Built-in speakers:** 1 x low frequency
(118 mm/4.5", 6 ohm)

Remote control batteries

- 1 x AAA-R03-1.5 V

Standby information

- When the product remains inactive for 15 minutes, it automatically switches to standby or networked standby.
- When the product (soundbar or subwoofer) remains standby information, the power consumption in standby is less than 2W.
- To deactivate Bluetooth connection, press and hold the Bluetooth button on the remote control.
- To activate Bluetooth connection, enable Bluetooth connection on your Bluetooth device.

7 Troubleshooting



Warning

- Risk of electric shock. Never remove the casing of the product.

To keep the warranty valid, never try to repair the product yourself.

If you have problems using this product, check the following points before you request service. If you still have a problem, get support at www.philips.com/support.

Main unit

The buttons on the SoundBar do not work.

- Disconnect the SoundBar from the power supply for a few minutes, then reconnect.

Sound

No sound from SoundBar speakers.

- Connect the audio cable from your SoundBar to your TV or other devices.
- Reset your SoundBar to its factory settings.
- On the remote control, select the correct audio input.
- Make sure that the SoundBar is not muted.

Distorted sound or echo.

- If you play audio from the TV through the SoundBar, make sure that the TV is muted.

Bluetooth

A device cannot connect with the SoundBar.

- The device does not support the compatible profiles required for the SoundBar.
- You have not enabled the Bluetooth function of the device. See the user manual of the device on how to enable the function.

- The device is not correctly connected. Connect the device correctly. (see 'Play audio through Bluetooth' on page 10)
- The SoundBar is already connected with another Bluetooth device. Disconnect the connected device, then try again.

Quality of audio play from a connected Bluetooth device is poor.

- The Bluetooth reception is poor. Move the device closer to the SoundBar, or remove any obstacle between the device and the SoundBar.

The connected Bluetooth device connects and disconnects constantly.

- The Bluetooth reception is poor. Move the device closer to the SoundBar, or remove any obstacle between the device and the SoundBar.
- Turn off Wi-Fi function on the Bluetooth device to avoid interference.
- For some Bluetooth, the Bluetooth connection can be deactivated automatically to save power. This does not indicate any malfunction of the SoundBar.



The Bluetooth® word mark and logos are registered trademarks owned by Bluetooth SIG, Inc.

Specifications are subject to change without notice.

Philips and Philips Shield Emblem are registered trademarks of Koninklijke Philips N.V. and are used under license. This product has been manufactured by and is sold under the responsibility of MMD Hong Kong Holding Limited, or one of its affiliates, and MMD Hong Kong Holding Limited, is the warrantor in relation to this product.

