

PHILIPS

Original radio

TAVS700



User manual

Register your product and get support at
www.philips.com/welcome

Contents

1 Important	2
Important safety instructions	2
Notice	2

2 Your FM/DAB radio	4
Introduction	4
About DAB	4
What's in the box	4
Overview of the main unit	5

3 Get started	6
Prepare telescopic antenna	6
Connect power	6
Adjust display brightness	6
Set the Clock	6
Turn on	7
Switch to standby mode	7
Adjust volume level	7

4 Listen to radio	7
Listen to DAB radio	7
Listen to FM radio	8

5 Bluetooth	9
Play from a Bluetooth device	9
Control playback	9

6 Other features	10
Set the Sleep Timer	10

7 Product information	10
------------------------------	-----------

8 Troubleshooting	11
--------------------------	-----------

1 Important

Important safety instructions

- Read these instructions.
- Keep these instructions.
- Heed all warnings.
- Follow all instructions.
- Do not use this speaker near water.
- Clean only with dry cloth.
- Do not block any ventilation openings. Install in accordance with the manufacturer's instructions.
- Do not install near any heat sources such as radiators, heat registers, stoves, or other speaker (including amplifiers) that produce heat.
- Protect the power cord from being walked on or pinched, particularly at plugs, convenience receptacles, and the point where they exit from the speaker.
- Only use attachments and accessories specified by the manufacturer.
- Unplug this speaker during lightning storms or when unused for long periods of time.
- Refer all servicing to qualified service personnel. Servicing is required when the speaker has been damaged in any way, such as power-supply cord or plug is damaged, liquid has been spilled or objects have fallen into the speaker, the speaker has been exposed to rain or moisture, does not operate normally, or has been dropped.
- Speaker shall not be exposed to dripping or splashing.
- Do not place any sources of danger on the speaker (e.g. liquid filled objects, lighted candles).
- Use only power supplies listed in the user manual.
- Where the MAINS plug or an appliance coupler is used as the disconnect device, the disconnect device shall remain readily operable.

Warning

- Never remove the casing of this speaker.
- Never lubricate any part of this speaker.
- Place this speaker on a flat, hard and stable surface.
- Never place this speaker on other electrical equipment.
- Only use this speaker indoors. Keep this speaker away from water, moisture and liquid-filled objects.
- Keep this speaker away from direct sunlight, naked flames or heat.

Notice



Hereby, TP Vision Europe B.V. declares that this speaker is in compliance with the essential requirements and other relevant provisions of Directive 2014/53/EU. You can find the Declaration of Conformity on www.philips.com/support.



This speaker is designed and manufactured with high quality materials and components, which can be recycled and reused.



When this crossed-out wheeled bin symbol is attached to a product it means that the product is covered by the European Directive 2012/19/EU.

Please be informed about the local separate collection system for electrical and electronic products.

Please act according to your local rules and do not dispose your old products with your normal household waste. Correct disposal of your old products will help prevent potential negative consequences for the environment and human health.



Your speaker contains batteries covered by the European Directive 2013/56/EU, which cannot be disposed with normal household waste. Please be informed about the local rules on separate collection of batteries because correct disposal will help prevent negative consequences for the environmental and human health.

Environmental information

All unnecessary packaging has been omitted. We have tried to make the packaging easy to separate into three materials: cardboard (box), polystyrene foam (buffer) and polyethylene (bags and protective foam sheet).

Your speaker consists of materials which can be recycled and reused if disassembled by a specialized company. Please observe the local regulations regarding disposal of packaging materials, exhausted batteries and old equipment.

Note

- The type plate is located on the back of the speaker.

2 Your FM/DAB radio

Congratulations on your purchase, and welcome to Philips! To fully benefit from the support that Philips offers, register your speaker at www.philips.com/welcome.

Introduction

With this speaker, you can enjoy both FM radio and Digital Audio Broadcasting (DAB) radio.

About DAB

About Digital Audio Broadcasting (DAB)

DAB digital radio is a new way of broadcasting radio via a network of terrestrial transmitters. It provides listeners with more choice and information delivered in crystal clear, crackle-free sound quality.

- The technology allows the receiver to lock on to the strongest signal it can find.
- With DAB digital stations there are no frequencies to remember, and sets are tuned by station name, so there's no returning on the move.

What is a multiplex?

Digital radio operation is made up of a single block of frequencies called a multiplex. Each multiplex works within a frequency spectrum, such as Band III for DAB broadcasts.

DAB BROADCASTERS AND DLS

Each DAB broadcaster (or multiplex operator) also provides text and audio data services.

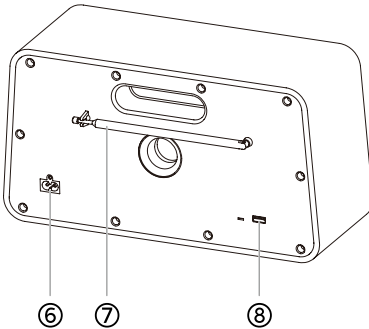
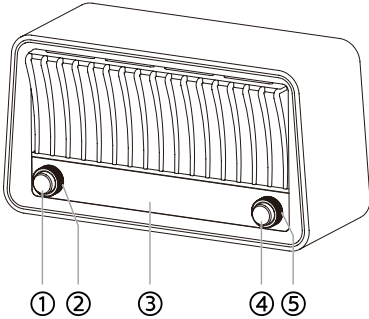
Some programmes are supported by Dynamic Label Segments (DLS). This is data which you can read as scrolling text on your DAB radio display. Some stations transmit the latest news, travel, and weather, what's on now and next, website addresses and phone numbers. For more information on digital radio coverage and services, please visit www.drdb.org.

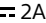
What's in the box

Check and identify the contents of your package:

- Main unit
- AC power cord
- Quick start guide
- Worldwide Warranty

Overview of the main unit



1. Small knob (Left)
 - **Press:** Turn on the speaker or switch to standby mode
 - **Rotate:** Select a source
2. Big knob (Left)
 - **Rotate:** Select a preset radio station
3. Display panel
 - Show current status
4. Small knob (Right)
 - Press**
 - confirm the menu option
 - in DAB/FM mode, store radio stations
 - in BT mode, start or pause play
 - Double press**
 - return to the previous menu
 - Press and hold**
 - enter the menu
 - Rotate**
 - adjust the volume
5. Big knob (Right)
 - Rotate**
 - select the menu
 - in DAB mode, select a DAB station
 - in FM mode, tune to a FM station
 - in BT mode, skip to the previous/next track
6. AC~
 - Connect the AC power cord
7. Telescopic antenna
8. 5V  2A
 - To charging external equipment

3 Get started

! Caution

- Use of controls or adjustments or performance of procedures other than those specified herein may result in hazardous radiation.

Always follow the instructions in this chapter in sequence.

If you contact Philips, you will be asked for the model and serial number of this speaker. The model number and serial number are on the back of the speaker. Write the numbers here:

Model No. _____

Serial No. _____

Prepare telescopic antenna

For optimal reception, fully extend and adjust the direction of the telescopic antenna.

* Tip

- Position the antenna as far away as possible from your TV or other radiation source to prevent interference.

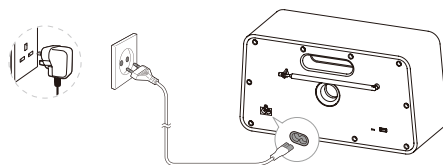
Connect power

! Caution

- Risk of product damage! Make sure that the power supply voltage corresponds to the voltage on the back or the underside of the product.
- Risk of electric shock! When you unplug the AC power cord, always pull the plug from the socket. Never pull the cord.
- Use only the AC power cord specified by the manufacturer or sold with this speaker.

≡ Note

- The type plate is located on the back of the speaker.



Connect the AC~ socket on the speaker and the power socket on the wall with the AC power cord.

Adjust display brightness

- 1 In standby mode, press and hold the small knob on the right side for 2 second or more to display the menu.
- 2 Rotate the big knob on the right side to select the menu "DIM".
- 3 Press the small knob on the right side to confirm your select.
- 4 Rotate the big knob on the right side to select different levels of display brightness.

Set the Clock

- 1 In standby mode, press and hold the small knob on the right side for 2 second or more to display the menu "CLOCK".
- 2 Press the small knob on the right side to confirm to activate the clock setting mode, the time format [12H] or [24H] begins to blink.
- 3 Rotate the big knob on the right side to select [12H] or [24H].
- 4 Press the small knob on the right side to confirm, the hour digits begin to blink.
- 5 Repeat above steps 3-4 to set the hour and minute.

≡ Note

- If no button is pressed in 10 seconds, the speaker exits clock setting mode automatically.

Automatically synchronizes clock time

If clock not set, when tune to an RDS/DAB radio station that transmits time signals, the speaker can synchronize with time transmitted by RDS/DAB station automaticall.

Manually synchronizes clock time

If clock is setted, when tune to an RDS/DAB radio station that transmits time signals, you can synchronizes clock time manually in the following:

- 1 Press and hold the small knob on the right side for 2 second or more to display the menu.
- 2 Rotate the big knob on the right side to select the menu "INFO".
- 3 Press the small knob on the right side to confirm your select.
- 4 Rotate the big knob on the right side to select the menu "CT".
- 5 Press the small knob on the right side to synchronizes clock time.

Turn on

Press the small knob on the left side, the speaker switches to the last selected source.

Switch to standby mode

Press the small knob on the left side to switch the speaker to standby mode. The time (if set) appear.

Adjust volume level

Rotate the small knob on the right side to increase/decrease the volume level.

4 Listen to radio



Note

- Make sure that the antenna is fully extended

Listen to DAB radio

Tuning to a DAB radio station

- 1 Rotate the small knob on the left side to select DAB radio.
- 2 Rotate the big knob on the right side to navigate through the available DAB stations.

Scan DAB radio stations

- 1 Press and hold the small knob on the right side for 2 second or more to display the menu "SCAN".
- 2 Press the small knob on the right side to navigate through the available DAB stations, and then broadcasts the first available station.
 - "SCANNING" is blink.

Store DAB radio stations manually



Note

- You can store up to 20 DAB radio stations.

- 1 Rotate the big knob on the right side to tune to a DAB radio station.
- 2 Press the small knob on the right side to activate programming mode.
- 3 Rotate the big knob on the right side to select a preset number.
- 4 Press the small knob on the right side to confirm to store the station.
- 5 Repeat steps 1 to 4 to store other DAB stations.

Note

- If the speaker is unplugged or if a power failure occurs, the preset stations will not be erased.

Select a preset DAB radio station

Rotate the big knob on the left side to select your desired preset number.

The speaker will tune to the selected station automatically.

DAB Information Display

You can view the DAB service information in the following modes.

- 1 Press and hold the small knob on the right side for 2 second or more to display the menu.
- 2 Rotate the big knob on the right side to select the menu "INFO".
- 3 Press the small knob on the right side to confirm your select.
- 4 Rotate the big knob on the right side to view the information.
- 5 Press the small knob on the right side to exit the information view.

The information list is as follows:

- Station Name
- Ensemble Name
- Clock
- DLS (Dynamic Label Segment)
- Signal Strength
- Programme Type
- Frequency
- Bit Rate
- Audio

Note

- Depending on the DAB radio station you are tuning to, some information modes may be unavailable.

Listen to FM radio

Mnaually tuning to a FM radio station

- 1 Rotate the small knob on the left side to select FM radio.
- 2 Rotate the big knob on the right side to adjust the FM frequency until you find the station you want.

Store FM radio stations

Note

- You can store up to 20 FM radio stations.

♦ Automatically

- 1 Press and hold the small knob on the right side for 2 second or more to display the menu "SCAN".
- 2 Press the small knob on the right side to stores all the available FM radio stations and broadcasts the first station.
 - "SCANNING" is blink.

♦ Manually

- 1 Rotate the big knob on the right side to tune to a FM radio station.
- 2 Press the small knob on the right side to activate programming mode.
- 3 Rotate the big knob on the right side to select a preset number.
- 4 Press the small knob on the right side to confirm to store the station.
- 5 Repeat steps 1 to 4 to store other FM stations.

Note

- If the speaker is unplugged or if a power failure occurs, the preset stations will not be erased.

Select a preset FM radio station

Rotate the big knob on the left side to select your desired preset number.

The speaker will tune to the selected station automatically.

Show RDS information

RDS (Radio Data System) is a service that allows FM stations to show additional information.

- 1 Press and hold the small knob on the right side for 2 second or more to display the menu.
- 2 Rotate the big knob on the right side to select the menu "INFO".
- 3 Press the small knob on the right side to confirm your select.
- 4 Rotate the big knob on the right side to view the information.
- 5 Press the small knob on the right side to exit the information view.

The information list is as follows:

- Station name
- Program type such as [NEWS] (news), [SPOR T] (sport), [POP M] (pop music)...
- Time
- Text
- Frequency

Note

- Depending on the RDS station you are tuning to, some information modes may be unavailable.

5 Bluetooth

Play from a Bluetooth device

You can stream audio from a device to this speaker using Bluetooth connection.

Note

- Make sure to turn Bluetooth on to make a device discoverable before pairing.
- The speaker and a device must be placed within 10 meters Bluetooth sensing distance.

- 1 Rotate the small knob on the left side to select BT, "BT" is blink.
- 2 On a Bluetooth device, turn Bluetooth on to make it discoverable.
- 3 Select "Philips VS700" on the device for pairing.
 - For an older device, input pairing password 0000.
 - The "BT" light on when connection is successful.
- 4 Press the ► button on the Bluetooth device to start streaming music.

Control playback

During play

- Turn the small knob on the right side to increase/decrease the volume.
- Press the small knob on the right side to play/pause.
- Turn the big knob on the right side to skip to the previous/next track.

Disconnect Bluetooth pairing

- 1 Press and hold the small knob on the right side for 2 second or more to display the menu "CLEAR BT".
- 2 Press the small knob on the right side to confirm, "BT" is blink.

6 Other features

Set the Sleep Timer

You can set the speaker to turn off automatically after a certain period of time.

- 1 When the speaker is turned on, press and hold the small knob on the right side for 2 second or more to display the menu.
- 2 Rotate the big knob on the right side to select the menu "SLEEP".
- 3 Press the small knob on the right side to confirm your select.
- 4 Rotate the big knob on the right side to select a set period of time (in minutes: 15, 30, 45, 60).

Note

- If "OFF" is selected, sleep timer will not activate.

- 5 Press the small knob on the right side to confirm your select, the "ZZ" is displayed.

7 Product information

General information

Power requirement	100-240V, 50/60Hz
Power consumption	22W
Dimensions (W x H x D)	335 x 185 x 148 mm
Weight (main unit)	2.52 kg

Tuner

Tuning range	FM: 87.5 - 108MHz
--------------	-------------------

DAB

Frequency range	Band III (174 - 240MHz)
-----------------	-------------------------

Amplifier

Output power	10 W x 2
Frequency response	100 - 20000 Hz
Signal to noise ratio	> 70 dB

Speakers

Speaker impedance	4Ω
Speaker maximum input power	10W
Speaker driver	3" full range

Bluetooth

Bluetooth version	5.0
Frequency range	2402 - 2480 MHz
Maximum power transmitted	5dBm
Maximum communication range	approx. 10m
Compatible Bluetooth profiles	A2DP

Note

- Product information is subject to change without prior notice.

8

Troubleshooting

Warning

- Never remove the casing of this speaker.

To keep the warranty valid, never try to repair the speaker yourself.

If you encounter problems when using this speaker, check the following points before requesting service. If the problem remains unsolved, go to the Philips web site (www.philips.com/welcome). When you contact Philips, ensure that the speaker is nearby and the model number and serial number are available.

No power

- Make sure the AC power cord is connected properly.
- Make sure there is power at the AC outlet.

No sound

- Adjust the volume.

No response from the speaker

- Reconnect the AC power plug, and then turn on the speaker again.

Poor radio reception

- Increase the distance between the speaker and your TV or other radiation source.
- Fully extend the antenna.

Clock setting erased

- Power has been interrupted or the AC power cord has been disconnected.
- Reset the clock.

Music playback is unavailable on this speaker even after successful Bluetooth connection

- The device cannot be used to play music

through this speaker wirelessly.

The audio quality is poor after connection with a Bluetooth-enabled device

- The Bluetooth reception is poor. Move the device closer to this speaker or remove any obstacle between them.

Cannot connect with this speaker

- The device does not support the profiles required for this speaker.
- The Bluetooth function of this speaker is not enabled. Refer to the user manual of the speaker to find out how to enable the function.
- This speaker is not in pairing mode.
- This speaker is already connected to another Bluetooth-enabled device. Disconnect that device then try again.



Philips and the Philips Shield Emblem are registered trademarks of Koninklijke Philips N.V. and are used under license. This product has been manufactured by and is sold under the responsibility of TP Vision Europe B.V. or one of its affiliates, and TP Vision Europe B.V. is the warrantor in relation to this product.

