

SALORA

DAB/FM Radio

Instruction Manual

DAB3015FM



IMPORTANT: Please read all instructions carefully before use and keep for future reference

Ver 1.0

General Safety Instructions

Read this manual thoroughly before first use and keep it in a safe place for future reference, along with the warranty card, purchase receipt and carton. The safety precautions enclosed herein reduce the risk of fire, electric shock and injury when correctly adhered to.

Important warnings and cautions

- **Protect from moisture:** To reduce the risk of fire or electric shock, do not expose this product to water or moisture. Do not use it where it could fall into or get splashed by water.
- **Do not open:** To prevent contact with high voltage components or hazardous radiation exposure, do not attempt to open the equipment.
- **Charger Cord:** Only use the adaptor that is provided with the unit.
- **Servicing:** Refer all servicing to qualified service personnel. Servicing is required if any of the following have occurred: the power cord or plug has been damaged, the unit has been exposed to rain or moisture, objects have fallen into the unit, the unit has been dropped or is not working correctly.
- **Electrostatic discharge:** When electrostatic discharge (ESD) occurs at the front surface or near any part or any button of this unit, there may be a possibility that the product may stop operation and/or shut down immediately. This is a normal condition and intended to protect the unit and internal components against damage. In such a case, please reset the unit (by turning Off and On the radio) to revert the unit to normal operation.
- **Protect from heat:** This radio (and its internal battery) should not be exposed to excessive heat such as sunshine, fire or the like.

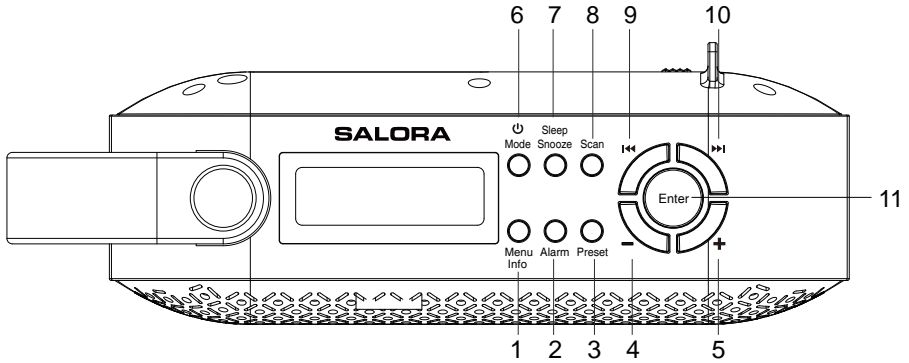
General Safety Instructions (Cont.)

General precautions

- Install the unit in accordance with the manufacturer's instructions. Do not install it near any heat sources such as radiators, heat registers, stoves or other objects (including amplifiers) that produce heat.
- Only use the unit with the accessories that are sold with the unit.
- Avoid putting extensive stress on adaptor, especially at the connection points.
- To ensure proper ventilation and operation, do not block any ventilation openings.
- Unplug the unit from the charging power source during lightning storms.
- Excessive sound pressure from earphones and headphones can cause hearing loss. For the sake of your health, always keep the volume at a low to moderate level when using earphones/headphones.
- Keep candles or other open flames away from this product at all times.
- Placing this radio near a TV, refrigerator, microwave oven, amplifier or DVD player and may adversely affect the sound quality. In such a case, move the radio away from the device that causes the interference.
- Do not install or place this radio in a bookcase, built-in cabinet or in another confined space. Ensure the unit is well ventilated.
- This product is not intended for use by persons (including children) with reduced physical, sensory or mental capabilities, or lack of experience and knowledge, unless they have been given supervision or instruction concerning the use of the appliance by a person responsible for their safety.
- Supervise children to ensure they do not play with the appliance.
- Keep the original packaging for future transport of the radio. For maximum protection, repack the unit as it was originally packaged.
- Ensure to unplug the adaptor from the unit before cleaning.
- Only use a soft, dry cloth for cleaning the unit and the display screen.
- Do not use any type of solvent, such as thinner and benzene, as they may cause damage to the surface of the radio.

Product Overview

Top View



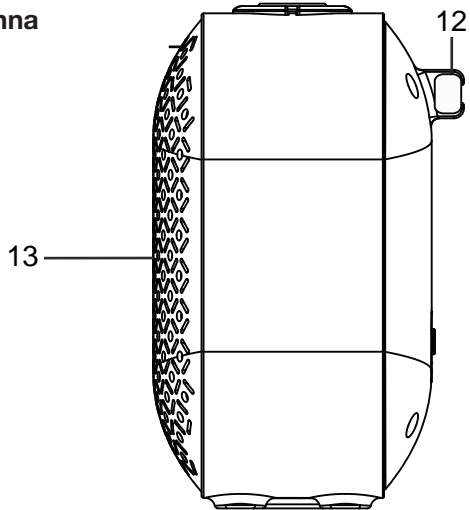
- | | | |
|------|---------------------|---|
| 1 | Menu /Info | Press repeatedly to access station information and Menu settings |
| 2 | Alarm | Press to do alarm setting |
| 3 | Preset | Store and access up to 10 DAB+ and 10 FM Station Presets. |
| 4/5 | Vol +/- | Increase/decrease the volume. |
| 6 | Power / Mode | Press to turn on the radio from standby mode. While the radio is on, press to switch between DAB+ and FM modes. Press and hold to place the radio in Standby. |
| 7 | Sleep/Snooze | Press to activate 9 minute snooze mode when the alarm is sounding. |
| 8 | Scan | Auto-scan all DAB+ and FM stations. |
| 9/10 | Prev/Next | Select previous/next frequency, station, preset station or menu option. |
| 11 | Enter | Press to confirm your option |

Product Overview (Cont.)

Side view

12 Telescopic Antenna

13 Speaker



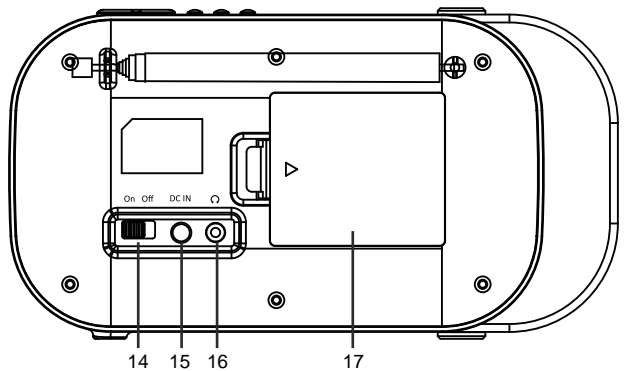
Rear view

14 On/Off Switch button

15 DC IN socket

16 Earphone Socket

17 Battery Compartment



Instructions

Before first use

- Unpack the appliance but keep all packaging materials until you have made sure your new DAB+ Radio is undamaged and in good working order. Plastic wrapping can be a suffocation hazard for babies and young children, so ensure all packaging materials are out of their reach.
- Do not use the product if the product or its cord have been damaged or are not working properly.

Instructions (Cont.)

Basic operations

Switching on your DAB+ Radio for the first time

- Slide the **OFF/ON** switch to the ON position on the back of your DAB+ Radio to power up the DAB+ Radio.
- Extend the telescopic antenna for the best reception possible.
- Then press the Power/Mode button to turn the radio on.
- When DAB+ mode is activated for the first time, a full scan will automatically commence, or will play the last station before the unit was turned off.
- Once the radio has been switched ON, press the Power/Mode button to switch between DAB+ and FM modes.
- During scanning the screen will display a slide bar that indicates the progress of the scan, and the amount of radio stations that have been found so far. Once the scan has finished, the radio will select the first alphanumeric station.
- Slide the **ON/OFF** switch to the **OFF** position to turn the DAB+ Radio off.

Selecting modes

- When the DAB+ Radio is turned on, press the Power/Mode button repeatedly to switch between DAB+ and FM modes.

Adjusting volume

- Press the + or - button to increase/decrease the volume.

Instructions (Cont.)

DAB+ operation

- To listen to the tuned stations press either the **PREV** or **NEXT** buttons. Each time you press the **PREV/NEXT** buttons, you will skip to the previous or next stored station.
- The radio will display the station name.

Memory

When you power ON the radio again after it has been switched off, it will automatically tune into the same station (DAB+ or FM) that was last selected.

Storing stations

You can store up to 10 DAB+ stations to the memory presets for quick and easy recall of your favourite stations.

- To store a preset station, you must first be listening to the station that you would like to save. Press and hold the **PRESET** button. The display will show "Preset Store # empty". If a station is already stored, the display will show "<Station name> #".
- Press the **PREV/NEXT** buttons to select the preset station number 1-10.
- To save the selected preset station number, press the **ENTER** button. The display will then show "Preset # stored".

Recalling a stored station

Once you have saved a station to one of the preset buttons, you can:

- Press the **PRESET** button and press the **PREV/NEXT** buttons to select your desired preset station's number.
- Press the **ENTER** button to recall a preset station number.

Instructions (Cont.)

Station information on DAB+ mode

Press the **INFO** button repeatedly to show the different program information.

- **Dynamic Label Segment (DLS):** Displays scrolling text information supplied by the broadcaster.
- **Signal Strength:** Displays a signal bar with the strength of the current station.
- **Bit Error Rate (BER):** Provides details of the signal error rate.
- **Channel and Frequency:** Displays the station's transmission channel number and frequency.
- **PTY (Program Type):** Shows the type and description of the program provided by the DAB+ station.
- **Time and Date:** Displays the time and date information provided by the broadcaster.
- **Bit Rate:** The data rate which the signal is being transmitted.

FM operation

In order to switch the radio from DAB+ to FM mode, press the Power/Mode button once.

Auto scan

- To search for an FM station, press the **SCAN** button. This will start scanning up the frequency band.
- To scan down the frequency band, press and hold the **SCAN** button.
- Once a station has been found, the scanning will stop automatically. If no station is found, then the tuning will stop once it has cycled through the entire FM band (87.5 - 108 MHz).

Manual scan

- To search FM stations manually, press the **PREV/NEXT** buttons repeatedly until your desired frequency is reached.

Instructions (Cont.)

Storing stations

You can store up to 10 FM stations to the memory presets for quick and easy recall of your favourite stations.

- To store a preset, you must first be listening to the station that you would like to save. Press and hold the **PRESET** button. The display will show “Preset Store # empty”. If a station is already stored, the display will show “<Station frequency> #”.
- Press the **PREV/NEXT** buttons to select the preset station number 1-10.
- To save to the selected preset station number, press the **ENTER** button. The display will then show “Preset # stored”.

Recalling a stored station

Once you saved a station to one of the preset buttons, you can:

- Press the **PRESET** button and press the **PREV/NEXT** buttons to select your desired preset station’s number.
- Press the **ENTER** button to recall a preset station number.

Station information on FM mode

Press the **INFO** button repeatedly to show the different program information.

- **Program Type:** Displays a description of the type of program provided by the broadcaster.
- **Signal Strength:** Displays a signal bar with the strength of the current station.
- **Time and Date:** Displays the time and the date.
- **Frequency:** Displays the station’s transmission frequency.
- **Audio Type:** Displays the audio type of the station you are listening to. The audio type will either be Stereo or Mono.

Note: You can press Enter button to switch between stereo or mono.

- **Radio Text:** Displays scrolling text information supplied by the broadcaster.

Instructions (Cont.)

System Settings

- With the unit turned on press and hold the **Menu** button. This will open the “**System Menu Settings**”
- Press the **PREV/NEXT** buttons to select your desired Sub-option between;

Setting the Time/Date

- Press the **ENTER** button, the hour digits will flash.
- Press the **PREV/NEXT** buttons to set the hour correctly.
- Press the **ENTER** button to confirm.
- Repeat the last two steps to set the minutes, then the date.

System Version

You can check the software version number.

Resetting the radio

Resetting the radio will delete all the tuned DAB+ stations and all the preset memory stations in FM and DAB+ modes. To reset the radio:

- Press and hold the **INFO** button.
- Press the **NEXT** button repeatedly until ‘Factory Reset’ is displayed on the screen.
- Press the **ENTER** button and the display will show ‘Factory Reset?’. Use the **NEXT** button to choose Yes.
- Press the **ENTER** button again, this will reset the radio.

Sleep setting

- Press and hold the Sleep button.
- Press the **PREV** or **NEXT** button to select either **OFF-120-90-60-45-30-15-5** minutes.
- Press the **ENTER** button to confirm your selection.

Instructions (Cont.)

Using the alarm

Alarm Setting

With radio in working mode:

- Press and hold Alarm button to go to Alarm 1 Set and press ENTER button to confirm
- Press the **NEXT** button so the word “ON” is flashing and press **ENTER** to confirm.
- The hour digits for the alarm will flash, press the **PREV** or **NEXT** to change the hour and press the **ENTER** button to confirm.
- Press the **PREV** or **NEXT** button to change the minute and press the **ENTER** button to confirm.
- Press the **PREV** or **NEXT** button to change the volume and press the **ENTER** button to confirm.
- Press the **PREV** or **NEXT** button to change between Alarm-DAB-FM and press the **ENTER** button to confirm.
- To set the **Alarm 2**, follow the **Alarm 1** instructions.

Turning off the alarm

- Press and hold Alarm button to go to Alarm 1 Set and press ENTER button to confirm
- To turn off the alarm, press the **NEXT** button so the word “OFF” is flashing and press **ENTER**. The alarm is now **OFF**.

Turning off the alarm when sounding

- Press the **Power/Mode** button to turn off the alarm when sounding.

Snooze function

- When the alarm sounds, press the **SNOOZE** button to delay the alarm for another 9 mins. The radio will go to Standby mode.
- You can press the Power/Mode button to stop the Snooze function and go to the operation mode before the alarm rings.

Other Useful Information

Specifications

Power supply	4*AA battery or power adaptor
Audio power output	1W RMS
Frequency ranges	FM 87.5 - 108 MHz DAB+ 174 - 240 MHz
Output connector	3.5mm earphone socket
Aerial	Integral telescopic aerial
Pre-sets	FM mode: 10 DAB+ mode: 10

FAQs

Problem	Solution
No sound	<ul style="list-style-type: none">• The station is not tuned in. Fine tune the station.• The volume is set to a low position. Increase the volume.• Headphones may be connected. Disconnect the headphones.
Buttons are not working	Turn off the unit and turn on after a few seconds.
FM: Static sound DAB+: Burbling/ intermittent cut-out	<ul style="list-style-type: none">• Signal reception is too low. Adjust the aerial or move the unit to a stronger signal location.• Rescan stations.
Sound is distorted	The volume is too high. Adjust the volume control.
Desired station not found	Weak signal. Use the manual tune function.
Display shows “No Service”	There is no DAB+ coverage in your area, or poor reception. Adjust the position of the aerial, or move the unit to a stronger signal location.
Display is blank	This may occur if the broadcaster changes the label of a service or removes a label while tuned. The radio will try to retune or perform a scan.

Algemene Veiligheid instructies

Lees deze handleiding zorgvuldig door en bewaar deze om in de toekomst te kunnen raadplegen, samen met het garantiebewijs, betalingsbewijs en de doos.

De veiligheid instructies dienen om het risico op brand, elektrische schok of letstel te verminderen.

Belangrijke waarschuwingen

- **Beschermen tegen vochtigheid:** Om het risico op brand of een elektrische schok te verminderen, dit apparaat niet blootstellen aan water of vocht. Gebruik dit apparaat niet in een omgeving waar het in het water zou kunnen vallen of waar het kan worden nat gespetterd.
- **Niet openen:** Om te voorkomen dat u in contact komt met een hoog voltage of gevaarlijke stralingen, dit apparaat niet proberen te openen.
- **Oplaadkabel:** Gebruik uitsluitend de meegeleverde micro USB kabel.
- **Onderhoud:** Voor onderhoud dient u zich altijd te wenden tot gekwalificeerd personeel. Het uitvoeren van onderhoud is in de volgende gevallen noodzakelijk: indien de stekker of kabel is beschadigd, indien het apparaat nat is geworden, indien er items in het apparaat zijn gevallen, indien het apparaat is gevallen of indien het apparaat niet goed werkt. De ingebouwde batterij is niet bedoeld om te worden vervangen door de gebruiker.
- **Elektrostatische ontlading:** Indien elektrostatische ontlading ontstaat aan de voorkant, een onderdeel of een knop kan het voorkomen dat het apparaat niet goed werkt of geheel uitschakelt. Dit is normaal en bedoeld om het apparaat en de componenten te beschermen. In dat geval, kunt u het apparaat resetten (door de radio Uit en aan te schakelen) om de radio weer normaal te laten functioneren.
- **Beschermen tegen hitte:** Deze radio (met ingebouwde batterij) dient niet te worden blootgesteld aan overmatige hitte, zoals zon, vuur of vergelijkbaar.

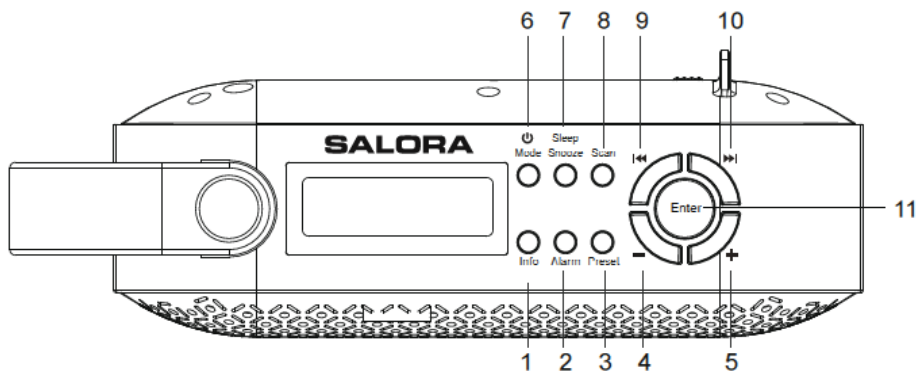
Algemene waarschuwingen

- Plaats het apparaat overeenkomstig de instructies van de fabrikant. Plaats de radio niet in de buurt van hittebronnen zoals een, verwarmingsrooster, fornuis of andere voorwerpen (incl. versterkers) die hitte produceren.
- Gebruik het apparaat uitsluitend met de meegeleverde accessoires.
- Voer geen druk uit op de micro USB kabel, in het bijzonder bij de verbindingpunten.
- Voor een goede ventilatie en werking, de ventilatie openingen niet blokkeren. Haal de stekker, bij onweer, uit het stopcontact.
- Excessief geluid door de hoofdtelefoon kan tot gehoorverlies leiden. Voor uw eigen gezondheid adviseren wij u het volume niveau laag tot middenmatig te houden indien u gebruik maakt van de hoofdtelefoon.
- Houd kaarsen of open vuur te allen tijde uit de buurt van het apparaat.
- Indien u de radio in de buurt van een TV, koelkast, magnetron, versterker of DVD speler plaatst, kan dat de kwaliteit van de ontvangst nadelig beïnvloeden. In dat geval verplaatst u de radio uit de buurt van deze apparaten die de storing veroorzaken.
- Plaats dit apparaat niet in een boekenkast, inbouwkast of een afgesloten ruimte. Let op dat het apparaat goed geventileerd kan worden.
- Dit apparaat is niet bedoeld om gebruikt te worden door mensen (incl. kinderen) met een fysieke, zintuiglijke of geestelijke beperking en personen zonder kennis of ervaring m.b.t. de bediening van dit apparaat, tenzij deze personen onder toezicht staan of instructies hebben gekregen om dit apparaat veilig te bedienen en zich bewust zijn van de eventuele gevaren. Kinderen dienen niet met dit apparaat te spelen.

- Bewaar de verpakking zodat u het apparaat eventueel later kunt vervoeren. Voor maximale bescherming, het apparaat verpakken zoals het oorspronkelijk was ingepakt.
- Let op dat de micro USB kabel uit het stopcontact haalt voor reiniging.
- Gebruik uitsluitend een droge zachte doek om het apparaat en het scherm te reinigen.
- Gebruik geen enkel type oplosmiddel, zoals thinner en benzeen, deze kunnen het oppervlak van de radio beschadigen.

Product overzicht

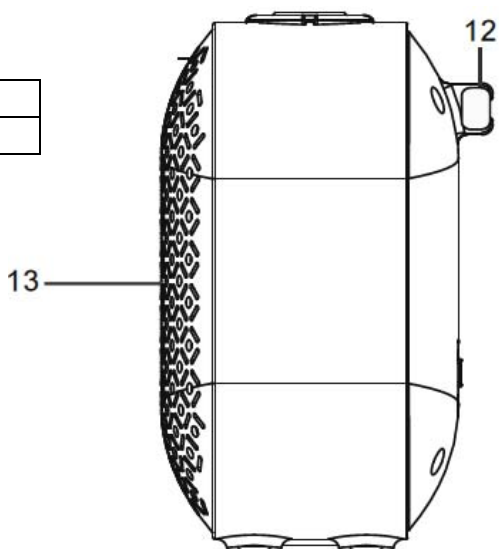
Boven Aanzicht



1	Info	Druk meerdere keren om toegang te hebben tot station informatie en menu instellingen.
2	Alarm	Druk hierop om het alarm in te stellen.
3	Preset	Opslaan van en toegang tot 10 DAB+ en 10 FM stations.
4/5	Vol +/-	Verhoog/verlaag volume niveau.
6	Aan/Uit/Modus	Druk hierop om de radio in Stand-by te zetten. Terwijl de radio aan is, hierop drukken om te schakelen tussen DAB+ en FM modi. Druk en houd vast om de radio in Stand-by te zetten.
7	Sleep/Snooze	Druk hierop om de snooze 9 minuten functie te activeren, nadat het alarm afgaat.
8	Scan	Automatische scan van alle DAB+ en FM stations.
9/10	PREV/NEXT	Druk hierop om een vorige of volgende frequentie, station, geprogrammeerde station of menu optie te kiezen.
11	Enter	Druk om uw keuze te bevestigen.

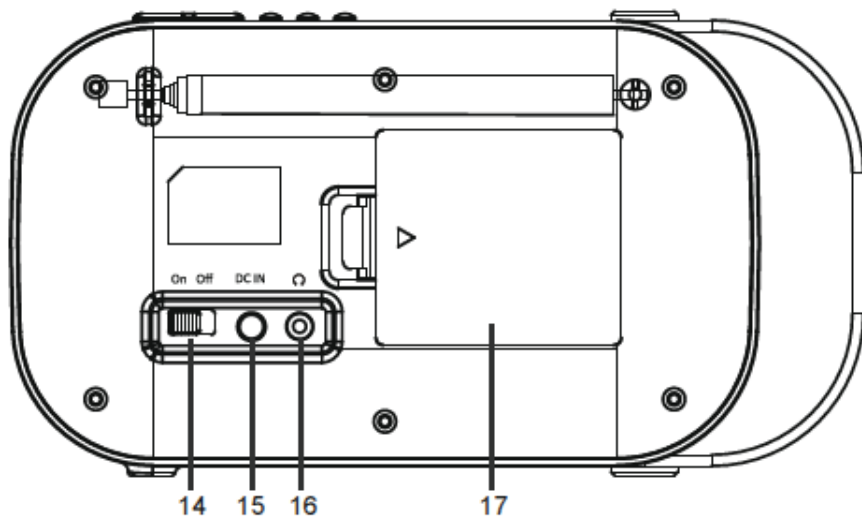
Zij Aanzicht

12	Telescopische Antenne
13	Luidspreker



Achter Aanzicht

14	Aan/Uit schakelaar
15	DC IN Ingang
16	Hoofdtelefoon ingang
17	Batterij compartiment



Voor het eerste gebruik

- Pak het apparaat uit maar bewaar al het verpakkingsmateriaal totdat u zeker weet dat het product niet is beschadigd en goed werkt. Plastic verpakkingsmateriaal kan gevaar voor verstikking opleveren voor baby's en kleine kinderen, let dus op dit materiaal altijd uit de buurt van baby's en kleine kinderen te houden.
- Controleer de kabel goed. Gebruik dit apparaat niet indien de kabel is beschadigd of indien het apparaat niet goed werkt.

Basis bediening

Aanzetten van uw DAB+ radio voor de eerste keer

- Zet de **ON/OFF** schakelaar aan de achterzijde van uw DAB+ radio op de ON positie om de DAB+ radio van stroom te voorzien.
- Trek de telescopische antenne uit voor de best mogelijke ontvangst.
- Druk daarna op de Power/Mode knop om de radio aan te zetten.
- Wanneer de DAB+ modus is geactiveerd zal de volledige scan automatisch starten, of, indien de radio al eerder was uitgezet, zal het laatste radiostation waarnaar geluisterd was, weer worden weergegeven.
- Zodra de radio op ON staat, kunt u door middel van de Power/Mode knop schakelen tussen de DAB+ en FM modi.
- Tijdens de scan zal een progressiebalk aangeven hoever de scan gevorderd is en hoeveel radiostations er tot dan toe gevonden zijn. Zodra de scan is voltooid zal het eerste alfanumerieke radiostation worden weergegeven.
- Om de DAB+ radio uit te zetten zet u de **ON/OFF** schakelaar aan de achterzijde van het apparaat op OFF.

Selecteren van een modus

- Door middel van de Power/Mode knop kunt u, zodra de radio aan staat, schakelen tussen de DAB+ en FM modi.

Aanpassen van het volume

- Door middel van de **VOL+** of **VOL-** knop kunt u het volume verhogen of verlagen.

DAB+ bediening

- U kunt de DAB+ radiostations beluisteren door op de **PREV** of **NEXT** knop te drukken. Iedere keer als u op één van deze knoppen drukt, gaat u naar het vorige of volgend gevonden radiostation.
- De radio zal de naam van het radiostation weergeven.

Geheugen

Zodra u de radio weer op ON zet, nadat u deze had uitgeschakeld, zal het laatste station worden weergegeven dat was beluisterd.

Opslaan van stations

U kunt tot 10 DAB+ stations opslaan, zodat u uw favoriete stations snel en gemakkelijk kunt terug vinden.

- Voor het opslaan van een station, zoekt u het station eerst op. Daarna drukt u op de **PRESET** knop en houdt deze ingedrukt. Op de display verschijnt "Preset Store #Empty". Indien er al een station is opgeslagen zal er op de display "<Naam Station>#" verschijnen.
- Druk op de **PREV/NEXT** knop om een nummer te kiezen voor het station 1-10.
- Om het gekozen radiostation nummer op te slaan, drukt u op de **ENTER** knop. Op de display verschijnt nu "Preset # stored".

Oproepen van een opgeslagen station

Zodra u een station heeft opgeslagen onder één van de ingestelde nummers, kunt u:

- Op de **PRESET** knop drukken en door middel van de **PREV/NEXT** knop het gewenste nummer selecteren.
- Op de **ENTER** knop drukken om een ingesteld nummer op te roepen.

Station informatie in de DAB+ modus

Druk meerdere keren op de **INFO** knop om diverse informatie van een programma te verkrijgen.

- **Dynamic Label Segment (DLS):** De zender levert informatie die als scrollende tekst op de display wordt weergegeven.
- **Signaal sterkte:** De sterkte van het signaal van het huidige station wordt weergegeven op een signaal balk.
- **Bit Error Rate (BER):** Geeft informatie met betrekking tot de BER waarden.
Kanaal en Frequentie: Geeft het uitzendnummer van het station weer en de frequentie.
- **PTY (Programma Type):** Toont het type en omschrijving van het programma, verstrekt door het DAB+ station.
- **Tijd en Datum:** Geeft de tijd en datum weer zoals deze wordt doorgegeven door het station.
- **Bit Rate:** De snelheid waarmee data wordt verzonden.

FM bediening

Om over te schakelen van DAB+ naar FM dient u één keer op de Power/Mode knop te drukken.

Auto Scan

- Om te zoeken naar een FM station, drukt u op de **SCAN** knop. Hierdoor zal de scan starten en zal deze de frequentie band afzoeken.
- Om terug te zoeken op de frequentie band, drukt u op **SCAN** en houdt u de knop ingedrukt. Zodra er een station is gevonden, zal het scannen automatisch stoppen. Indien er geen station is gevonden, zal het afstemmen stoppen zodra de hele band is afgezocht. (87.5 – 108 MHz).

Handmatig scannen

- Om handmatig naar FM stations te zoeken, drukt u meerdere keren op de **PREV/NEXT** knop tot u de gewenste frequentie heeft gevonden.

Opslaan van stations

U kunt tot 10 FM stations opslaan, zodat u uw favoriete stations snel en gemakkelijk kunt terug vinden.

- Voor het opslaan van een station, zoekt u het station eerst op. Daarna drukt u op de **PRESET** knop en houdt deze ingedrukt. Op de display verschijnt "Preset Store # Empty". Indien er al een station is opgeslagen zal er op de display "<Naam Station>#" verschijnen.
- Druk op de **PREV/NEXT** knop om een nummer te kiezen voor het station 1-10. Om het gekozen radiostation nummer op te slaan, drukt u op de **ENTER** knop. Op de display verschijnt nu "Preset # stored".

Oproepen van een opgeslagen station

Zodra u een station heeft opgeslagen onder één van de ingestelde nummers, kunt u:

- Op de **PRESET** knop drukken en door middel van de **PREV/NEXT** knop het gewenste nummer selecteren.
- Op de **ENTER** knop drukken om een ingesteld nummer op te roepen.

Station informatie in de FM modus

Druk meerdere keren op de **INFO** knop om diverse informatie van een programma te verkrijgen.

- **Programma Type:** Toont de omschrijving van het soort programma, verstrekt door het station.

- **Signaal sterkte:** De sterkte van het signaal van het huidige station wordt weergegeven op een signaal balk.
- **Tijd en Datum:** Toont de tijd en datum.
- **Frequentie:** Toont de frequentie van het huidige station.
- **Audio Type:** Toont naar welke audiotype u dit moment aan het luisteren bent. Er zijn twee mogelijkheden: Stereo of Mono.
- N.B.: Dor middel van de Enter/Snooze knop kunt u wisselen tussen stereo of mono audio.
- **Radio Tekst:** Toont de scrollende tekst die wordt doorgegeven door het radiostation.

Stelsysteem Instellingen

- Terwijl het apparaat aan staat, kunt u de **INFO** knop ingedrukt houden. Hiermee zal het menu van de Stelsysteem Instellingen “**System menu Settings**” worden geopend.
- Druk op de **PREV/NEXT** knop om de gewenste optie te selecteren, u kunt kiezen uit;

Instellen Tijd/Datum

- Druk op de **ENTER** knop, de uren zullen knipperen,
- Druk op de **PREV/NEXT** knop om de uren correct in te stellen.
- Druk op de **ENTER** knop om te bevestigen.
- Herhaal bovengenoemde stappen om de minuten en daarna de datum in te stellen.

System versie

Hiermee kunt u het software nummer controleren.

Resetten van de radio

Zodra u de radio gaat resetten zullen alle, in het geheugen, opgeslagen DAB+ en FM radio stations worden verwijderd. Om de radio te resetten:

- Houd de **INFO** knop ingedrukt.
- Druk meerdere keren op de **NEXT** knop, tot “Factory Reset” op de display verschijnt.
- Druk op de **ENTER** knop en de display zal “Factory Reset?” weergegeven. Door middel van de
- **NEXT** knop kunt u “YES” selecteren
- Druk nogmaals op de **ENTER** knop, de radio zal de reset beginnen.

Instellen SLEEP

- Houd de **SLEEP** knop ingedrukt.
- Druk op de **PREV** of **NEXT** knop om te kiezen tussen **OFF-120-90-60-45-30-15-5** minuten.
- Druk op de **ENTER** knop om uw keuze te bevestigen.

Gebruik van het alarm

Terwijl de radio in werking is:

- Houd de **ALARM** knop ingedrukt om naar Alarm 1 te gaan en druk op de **ENTER** knop om te bevestigen.
- Druk op de **NEXT** knop zodat het woordje “ON” knippert, druk daarna op **ENTER** om te bevestigen.
- De uren van het alarm zullen knipperen, door middel van de **PREV** of **NEXT** knop kunt u het gewenste uur instellen, druk daarna op **ENTER** om te bevestigen.
- Door middel van de **PREV** of **NEXT** knop kunt u het gewenste volume instellen, druk daarna op **ENTER** om te bevestigen.
- Dor middel van de **PREV** of **NEXT** knop kunt u kiezen uit Alarm-DAB-FM, druk daarna op **ENTER** om te bevestigen.
- Om **Alarm 2** in te stellen, volgt u **bovengenoemde** stappen.

Uitschakelen van het alarm

- Houd de **ALARM** knop ingedrukt om naar Alarm 1 te gaan en druk op **ENTER** om te bevestigen.
- Om het alarm uit te schakelen, drukt u op de **NEXT** knop tot het woordje "OFF" knippert, druk daarna op **ENTER**. Het alarm is nu uitgeschakeld.

Het alarm uitzetten

- Zodra het alarm afgaat, drukt u op de **Power/Mode** knop om het alarm uit te zetten.

Snooze functie

- Zodra het alarm afgaat, drukt u op de **SNOOZE** knop, het alarm zal 9 minuten worden uitgesteld en daarna weer afgaan. De radio gaat dan in de Stand-by stand.
- U kunt de snooze functie uitschakelen door, voordat het alarm weer afgaat, op de Power/Mode knop te drukken en radio zal weer normaal in werking zijn.

Specificaties

Stroomvoorziening	4 AA Batterijen of adapter
Audio uitgang vermogen	1 W RMS
Frequentiebereik	FM 87.5 – 108 MHz DAB+ 174 – 240 MHz
Aansluiting Audio Uitgang	3.5mm hoofdtelefoon aansluiting
Antenne	Integraal telescopische antenne
Opgeslagen stations	FM modus: 10 DAB+ modus: 10

FAQ'S

Probleem	Oplossing
Geen geluid	<ul style="list-style-type: none">● Station is niet goed afgestemd. Stem het station goed af.● Het volume staat helemaal laag. Verhoog het volume.● De hoofdtelefoon kan zijn aangesloten. Ontkoppel de hoofdtelefoon.
Knoppen doen het niet	Zet het apparaat uit en, na een paar seconden, weer aan.
FM: statisch geluid DAB+: bubbelend/ intermitterend geluid	<ul style="list-style-type: none">● Signaal ontvangst is te zwak. Verplaats de antenne of verplaats het apparaat voor een beter ontvangst.● Scan opnieuw de radio stations.
Storing in het geluid	Het volume staat te hoog. Pas het volume aan.
Gewenste station is niet gevonden	Het signaal is te zwak. Probeer het station handmatig te zoeken.
Display toont "No Service"	U heeft geen DAB+ ontvangst in uw regio, of een slecht ontvangst. Pas de positie van de antenne aan of verplaats het apparaat voor een beter ontvangst.
Display is leeg	Dit kan gebeuren indien het station de service informatie verstrekking wijzigt of verwijdert tijdens de uitzending. De radio zal opnieuw afstemmen of een scan uitvoeren.

Instructions de sécurité général

Veillez lire avant utilisation et conserver ces instructions de sécurité pour référence future avec la carte de garantie, votre preuve d'achat et la boîte. Les instructions de sécurité réduisent le risque de feu, choque électrique et blesser quelqu'un en suivant ces instructions.

Avertissements importants et précaution

- **Protéger de l'humidité** : Pour réduire le risque de feu, choque électrique, n'exposez pas cet appareil à l'eau ou l'humidité. Ne l'utilisez pas dans un endroit où l'appareil pourrait tomber dans l'eau ou de l'eau peut éclabousser.
- **N'ouvrir pas** : Pour éviter le contact avec des composant de haute voltage ou exposition à radiation dangereuse, n'essayez pas d'ouvrir l'appareil.
- **Cordon du chargeur** : Utilisez exclusivement le câble micro USB fourni avec cet appareil.
- **Entretien** : Confier toute réparation à du personnel qualifié. Réparation est nécessaire en cas de problèmes suivants : le cordon d'alimentation ou la prise est endommagé, si l'appareil est exposé au pleut ou l'humidité, des objets sont tombés dans l'appareil, l'appareil est tombé ou s'il ne fonctionne pas. La batterie interne ne doit pas être remplacé par l'utilisateur.
- **Décharge électrostatique** : En cas d'un décharge électrostatique sur la surface avant ou près d'une pièce ou les bouton de l'appareil, il est possible que l'appareil ne fonctionne plus et/ou l'appareil s'éteint immédiatement. Ça c'est normal et ce protège l'appareil et les composants de s'endommager. Dans ce cas, veuillez réinitialiser l'appareil (en éteignant puis en rallumant la radio) pour une fonction normale.
- **Protection contre la chaleur** : Cette radio (et la batterie dedans) ne doivent pas être exposé à la chaleur comme le soleil, le feu ou similaire.

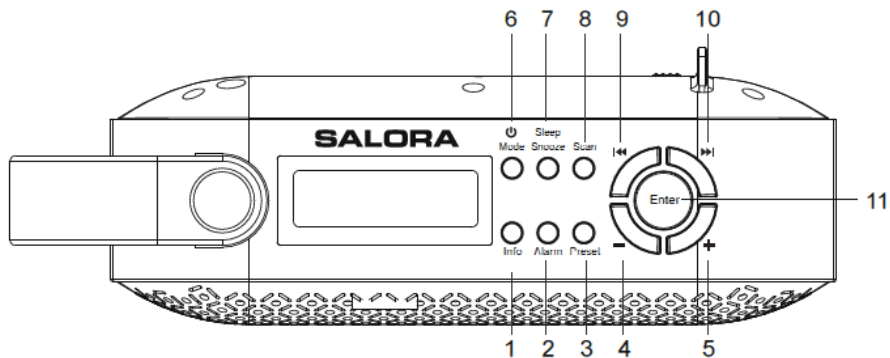
Précautions général :

- Placez l'appareil en suivant les instructions du fabricant. Ne le placez pas près d'une source de chaleur comme un radiateur, un registre de chaleur, un cuisinière ou objets similaires (amplificateurs inclus) que produisent de la chaleur.
- Utilisez exclusivement les accessoires vendus avec cet appareil.
- Evitez d'exercer pression excessive sur le câble micro USB, particulièrement sur les points de connexion.
- Pour une propre ventilation, veuillez ne pas obstruer les ouvertures de ventilation.
- Débranchez l'appareil pendant l'orage.
- Une pression sonore excessive en provenance des écouteurs ou un casque peut entraîner une perte auditive. Pour votre santé, veuillez tenir le volume au niveau modéré en utilisant les écouteurs ou un casque.
- Tenez toujours cet appareil hors de bougies et des flammes nues.
- Si vous placez cet appareil à proximité d'un téléviseur, réfrigérateur, un micro ondes, amplificateur ou lecteur DVD, cela peut affecter la qualité de son. Dans ce cas tenez la radio à l'écart de l'appareil causant l'interférence.
- Ne placez pas la radio dans un espace confiné, telles comme un bibliothèque, un coffret intégré. Assurez-vous qu'il y a une ventilation adéquate.
- Cet appareil ne peut pas être utilisé par les personnes (enfants inclus) aux capacités physiques, sensorielles ou mentales réduites ou des personnes dénuées d'expérience ou de connaissance sauf si celles-ci sont sous la surveillance ou ont reçu les instructions d'utilisation appropriées et si on comprend les dangers inhérents.
- Surveillez les enfants pour vous assurer qu'ils ne jouent pas avec l'appareil.
- Gardez l'emballage d'origine pour tout transport futur de la radio. Pour une protection maximale, remballer l'appareil comme il était emballé à sa livraison.

- Assurez-vous de débrancher l'adaptateur de l'appareil en avant le nettoyage.
- Utilisez exclusivement un chiffon doux et sec pour le nettoyage de l'appareil et l'écran.
- N'utilisez aucun type de solvant, telle comme diluent ou benzène car ils pourraient endommager le surface de la radio.

présentation du produit

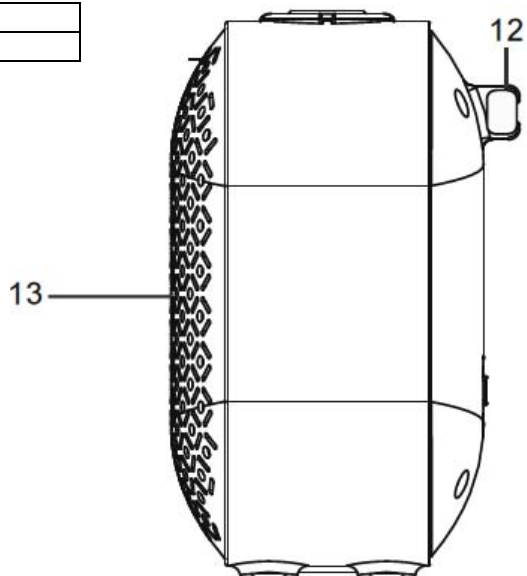
Vue de dessus



1	Info	Appuyer plusieurs fois pour visualiser l'information de la station et le réglage du Menu.
2	Alarme	Appuyer pour le réglage de l'alarme.
3	Préréglage	Mémoriser et avoir accès à 10 stations DAB+ et 10 stations FM
4/5	Vol +/-	Augmenter/diminuer le volume.
6	Mettre en Marche/Mode	Appuyer pour mettre en marche en mode Veil. Quand la radio est en fonctionnement, appuyer pour basculer entre les modes DAB+ et FM. Appuyer et tenir enfoncée pour mettre la radio en mode Veil.
7	Sleep/Snooze	Appuyer pour activer la fonction snooze (répétition de réveil) de 9 minutes quand l'alarme retentit.
8	Balayage	Balayage automatique pour chercher toutes stations DAB+ et FM.
9/10	Préc./Suiv.	Sélectionner la fréquence, station, station préréglée ou option du menu précédent ou suivant.
11	Entrée	Appuyer pour confirmer votre sélection.

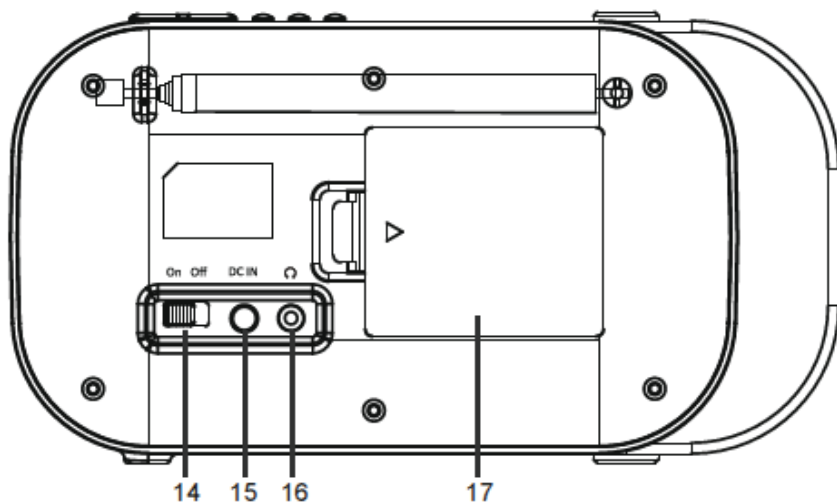
Vue de côté

12	Antenne télescopique
13	Haut-parleur



Vue arrière

14	Interrupteur Marche/Arrêt
15	Prise DC IN
16	Prise Casque
17	Compartiment piles



Instructions

Avant la première utilisation

- Déballer l'appareil en conservant l'emballage jusqu'à ce qu'il soit vérifié que votre nouvelle radio DAB+ est non endommagée et en bon fonctionnement. L'emballage plastique pourrait représenter un risque de suffocation pour les bébés et enfants jeunes. Veuillez tenir
- l'emballage hors de portée de bébés et d'enfants.
- Contrôlez le cordon d'alimentation s'il n'est pas endommagé. N'utilisez pas l'appareil si le produit ou son cordon est endommagé et ne fonctionne bien.

Fonction de base

Mettre en marche votre radio DAB+ pour la première fois

- Mettez l'interrupteur **ON/OFF** sur la position **ON** à l'arrière de votre radio DAB+ pour la mettre sous tension.
- Déployez l'antenne télescopique entièrement pour la meilleure réception.
- Appuyez sur le bouton Marche/Arrêt/Mode pour mettre en marche la radio.
- Lorsque le mode DAB+ est activé pour la première fois, une recherche automatique commencera, ou la radio diffuse la dernière station avant l'extinction de la radio.
- Une fois que la radio est mise sous tension, appuyez sur le bouton Marche/Arrêt/Mode pour basculer entre les modes DAB+ et FM.
- Pendant la recherche automatique l'écran affichera une barre de progression pour indiquer la progression de la recherche et la quantité de stations trouvées. Une fois que la recherche est terminée, la radio sélectionnera la première station alphanumérique trouvée.
- Mettez l'interrupteur **ON/OFF** sur la position **OFF** pour mettre la radio DAB+ hors tension.

Sélectionner les modes

- Lorsque vous avez mis la radio en marche, appuyez sur le bouton Marche/Arrêt/Mode plusieurs fois pour basculer entre les modes DAB+ et FM.

Régler le volume

- Appuyez sur le bouton **VOL+** ou **VOL-** pour augmenter ou diminuer le volume.

Fonctionnement DAB+

- Pour écouter les stations trouvées appuyez sur les boutons **PREV** (précédent) ou **NEXT** (suivant).
- Chaque fois que vous appuyez sur les boutons **PREV/NEXT** vous passera à la station précédente ou suivante mémorisée.
- La radio affichera le nom de la station.

Mémoire

Après la mise sous tension, la radio automatiquement diffuse la station (DAB+ ou FM) sélectionnée en dernier.

Mémoriser les stations

Vous pouvez mémoriser jusqu'à 10 stations DAB+ dans la mémoire pré-réglée pour une recherche vite et facile de votre stations préférées.

- Pour la mémorisation, sélectionnez la station de votre choix. Appuyez et tenez enfoncé le bouton **PRESET**. L'écran affichera « Preset Store empty # » S'il y a une station déjà mémorisée, l'écran affichera « <Nom de la station># ».
- Appuyez sur le bouton **PREV/NEXT** pour sélectionner le numéro de la station 1-10.
- Pour mémoriser le numéro pré-réglé appuyez sur le bouton **ENTER**. L'écran affichera « Preset # stored ».

Rappel des stations mémorisées

Une fois que vous avez mémorisé une station sous un numéro, vous pouvez :

- Appuyer sur le bouton **PRESET** et appuyez sur le bouton **PREV** ou **NEXT** pour sélectionner le numéro de pré-réglage de la station de votre choix.
- Appuyer sur le bouton **ENTER** pour rappeler un numéro de pré-réglage de la station.

Information Station en mode DAB+

Appuyez sur le bouton **INFO/MENU** plusieurs fois pour l'affichage de l'information de divers programmes.

- **DLS** : Texte défilant avec information supplémentaire, mise à disposition par la station.
- **Puissance du signal** : Affiche une barre avec la puissance du signal de la station actuelle.
- **Erreur de signal** : Affiche l'erreur de signal capté par la radio.
- **Canal et Fréquence** : Affiche le numéro et la fréquence de la station.
- **Type de programme** : Affiche le type et la description de programme, mise à disposition par la Station DAB+.
- **Heure et Date** : Affiche l'information de l'heure et le date mise à disposition par la station.
- **Débit Binaire** : Affiche le débit binaire du signal diffusé.

Fonctionnement FM

Pour passer la radio de mode DAB+ en mode FM, appuyez sur le bouton Marche/Arrêt/Mode une fois.

Recherche Automatique

- Pour chercher une station FM, appuyez sur le bouton **SCAN**, pour une recherche automatique de la bande de fréquences.
- Pour chercher vers le bas de la bande de fréquence, appuyez sur le bouton **SCAN** et tenez enfoncé.

- Une fois qu'une station est trouvée, la radio lance la recherche et s'arrête automatiquement.
- Si la radio ne trouve aucune station, la recherche s'arrête du moment que toute la bande de fréquence est terminée. (87.5 – 108 MHz).

Recherche manuelle

- Pour chercher une station manuellement, vous appuyez sur le bouton **PREV** ou **NEXT** plusieurs fois, jusqu'au moment que la fréquence désirée est trouvée.

Mémoriser les stations

Vous pouvez mémoriser jusqu'à 10 stations FM dans la mémoire pré-réglée pour une recherche vite et facile de votre stations préférées.

- Pour la mémorisation, sélectionnez la station de votre choix. Appuyez et tenez enfoncé le bouton **PRESET**. L'écran affichera « Preset Store empty # » S'il y a une station déjà mémorisée, l'écran affichera « <Nom de la station># ».
- Appuyez sur le bouton **PREV/NEXT** pour sélectionner le numéro de la station 1-10. Pour mémoriser le numéro pré-réglé appuyez sur le bouton **ENTER**. L'écran affichera « Preset # stored ».

Rappel des stations mémorisées

Une fois que vous avez mémorisé une station sous un numéro, vous pouvez :

- Appuyer sur le bouton **PRESET** et appuyez sur le bouton **PREV** ou **NEXT** pour sélectionner le numéro de pré-réglage de la station de votre choix.
- Appuyer sur le bouton **ENTER** pour rappeler un numéro de pré-réglage de la station.

Information Station en mode FM

Appuyez sur le bouton **INFO** plusieurs fois pour l'affichage de l'information de divers programmes.

- **Type de programme** : Affiche le type et le description de programme, mise à disposition par la station FM.
- **Puissance du signal** : Affiche une barre avec la puissance du signal de la station actuelle.
- **Heure et Date** : Affiche l'information de l'heure et le date.
- **Fréquence** : Affiche la fréquence de la radio diffusée.
- **Type d'audio** : Affiche le type d'audio de la station vous écoutez. Le type d'audio est Stéréo ou Mono.
- **Notification** : Vous pouvez appuyer sur le bouton **ENTER** pour changer entre Stéréo et Mono.
- **Radio texte** : Texte défilant avec information supplémentaire, mise à disposition par la station.

Réglage du système

- Quand la radio est mise en marche, vous appuyez sur le bouton **INFO** et tenez enfoncé. Vous ouvrez le réglage « **System Menu Settings** »
- Appuyez sur le bouton **PREV** ou **NEXT** pour sélectionner l'option désirée.

Régler l'heure et la date

- Appuyez sur le bouton **ENTER**, le numéro de l'heure clignote.
- Appuyez sur le bouton **PREV** ou **NEXT** pour régler l'heure correcte.
- Appuyez sur le bouton **ENTER** pour confirmer.
- Répétez les étapes derniers pour régler les minutes puis la date.

Version de système

Vous pouvez contrôler le numéro de logiciel.

Réinitialisation de la radio

La mémoire de stations présélectionnées DAB+ et FM sera effacée et toutes stations préregistrées seront annulées. Pour réinitialiser la radio :

- Appuyez sur le bouton **INFO** et tenez enfoncé.
- Appuyez sur le bouton **NEXT** plusieurs fois jusqu'à l'écran affiche « Factory Reset ».
- Appuyez sur le bouton **ENTER** et l'écran affiche « Factory Reset ? ». Utilisez le bouton **NEXT** pour afficher le mot « YES » (Oui) clignote.
- Appuyez une autre fois sur le bouton **ENTER**, la radio commence la réinitialisation.

Réglage SLEEP (Arrêt Automatique)

- Appuyez sur le bouton **SLEEP** et tenez enfoncé.
- Appuyez sur le bouton **PREV** ou **NEXT** pour sélectionner **OFF-120-90-60-45-30-15-5** minutes.
- Appuyez sur le bouton **ENTER** pour confirmer votre sélection.

Réglage de l'alarme

- Appuyez sur le bouton **ALARM** et tenez enfoncé pour sélectionner réglage ALARM 1 et appuyez sur le bouton **ENTER** pour confirmer.
- Appuyez sur le bouton **NEXT** ainsi que le mot « ON » clignote, appuyez sur le bouton **ENTER** pour confirmer.
- Le numéro de l'heure clignote. Appuyez sur le bouton **PREV** ou **NEXT** pour changer l'heure et appuyez sur le bouton **ENTER** pour confirmer.
- Appuyez sur le bouton **PREV** ou **NEXT** pour changer les minutes et appuyez sur le bouton **ENTER** pour confirmer.
- Appuyez sur le bouton **PREV** ou **NEXT** pour changer le volume et appuyez sur le bouton **ENTER** pour confirmer.
- Appuyez sur le bouton **PREV** ou **NEXT** pour sélectionner Alarm-DAB-FM et appuyez sur le bouton **ENTER** pour confirmer.
- Pour régler l'**alarm 2**, suivez les instructions du réglage **Alarm 1**.

Désactiver l'alarme

- Appuyez sur le bouton Alarm et tenez enfoncé pour sélectionner réglage Alarm 1 et appuyez sur le bouton **ENTER** pour confirmer.
- Pour désactiver l'alarme, appuyez sur le bouton **NEXT** ainsi que le mot « OFF » clignote et appuyez sur le bouton **ENTER**. Maintenant l'alarme est désactivé.

Éteindre l'alarme lorsqu'il retentit

- Appuyez sur le bouton Marche/Arrêt/Mode pour éteindre l'alarme lorsqu'il retentit.

Fonction SNOOZE (répétition de réveil)

- Lorsque l'alarme retentit, appuyez sur le bouton **SNOOZE** pour interrompre l'alarme pendant 9 minutes. La radio se mettra en mode Veille.
- Vous pouvez appuyer sur le bouton Marche/Arrêt/Mode pour désactiver la fonction Snooze et retourner en mode d'opération avant que l'alarme retentit.

Spécifications

Source d'alimentation	4* piles AA ou adaptateur secteur
Puissance Audio	1W RMS
Gamme de Fréquence	FM 87.5 – 108 MHz DAB+ 174 – 240 MHz
Sortie de Connecteur	3.5 mm prise jack Casque
Antenne	Antenne télescopique Intégrale
Préréglage	Mode FM : 10 Mode DAB+ : 10

Section FAQ

Problème	Solution
Pas de son	<ul style="list-style-type: none">● Station pas réglée. Réglez la station.● Le volume est en niveau bas. Augmentez le volume.● Casque peut être branché. Débranchez le casque.
Les boutons ne fonctionnent pas	Éteignez l'appareil et mettez-le en marche après quelques secondes.
FM : Bruits Statiques DAB+ : des bruits de formation de bulles/ découpage intermittente	<ul style="list-style-type: none">● Signal de réception est trop faible.● Réglez l'antenne ou remplacez l'appareil pour une meilleure réception.● Faites une recherche automatique de nouveau.
Son Déformé	Le volume est trop élevé, diminuez le volume.
Station de choix pas trouvée	Signal faible. Utilisez la fonction recherche manuelle.
Ecran affiche « No Service »	Il n'y a pas une réception de stations DAB+ dans votre région, ou une mauvaise réception. Contrôlez la position de l'antenne ou déplacez l'appareil pour une meilleure réception.
Ecran n'affiche rien	Cela peut arriver si la radiodiffusion change le nom du service ou supprime le service pendant que vous écoutez. La radio essaiera de régler de nouveau ou d'effectuer une recherche automatique.