

**Warranty
Registration:**

register online today for a
chance to win a FREE Tripp Lite
product—www.tripplite.com/warranty



Owner's Manual

Industrial USB 2.0 Hub

Models:

U223-004-IND (4-Port)

U223-007-IND (7-Port)

Safety Instructions	2
Features	3
System Requirements	3
Package Contents	3
Powering the Hub	4
Mounting Kit Installation	5
Specifications	7
Warranty & Warranty Registration	8



Manufacturing
Excellence.

1111 W. 35th Street, Chicago, IL 60609 USA • www.tripplite.com/support

Copyright © 2013 Tripp Lite. All rights reserved. All trademarks are the property of their respective owners.

Before attempting to connect, operate or adjust this product, please read the entire Owner's Manual first.

Safety Instructions

- Always read the safety instructions carefully
- Keep this Owner's Manual for future reference
- If any of the following situations arise, schedule an appointment to have your equipment inspected by a service technician:
 - The equipment has been exposed to moisture
 - The equipment has been dropped and damaged
 - The equipment shows obvious signs of breakage
 - The equipment is not functioning properly or is not functioning according to the Owner's Manual instructions

Features

- Increases the number of High Speed USB ports via a single computer port (4 ports for U223-004-IND model / 7 ports for U223-007-IND model)
- USB 2.0 compliant with data transfer rates up to 480Mbps
- Backwards compatible with USB 1.1
- Rugged all-metal enclosure designed for use in industrial applications
- Wallmount and DIN rail hardware included for secure installation
- Three power connection options (source USB port, external power supply (not included) or 3-wire terminal block)
- Over-current detection and protection
- ESD protection to +/- 15 kV
- Automatic link and speed detection
- Plug-and-play; no software or drivers required

System Requirements

- Compatible with all USB-enabled operating systems

Package Contents

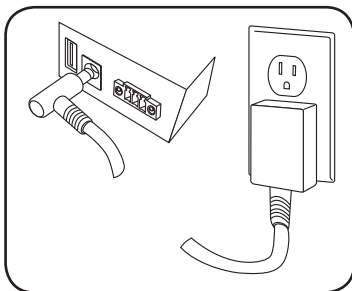
- U223-004-IND or U223-007-IND Industrial USB 2.0 Hub
- USB 2.0 cable
- 3-pin power terminal block
- DIN mounting hardware
- Wallmount hardware
- Owner's Manual

Powering the Hub

To power the hub, plug the user-supplied power adapter into the wall outlet.

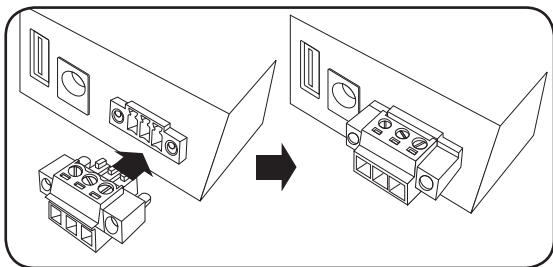
Note: The U223-004-IND is compatible with external power supply units with a 5V, 2.5A DC output. The U223-007-IND is compatible with external power supply units with a 5V, 3A DC output. In order to connect an external power supply with the U223-004-IND or U223-007-IND's input port, the external power supply unit must have a 5.5 x 2.1 x 9.5 mm output plug with a positive tip and negative sleeve.

DC-In



Power terminal

To power the hub using a power terminal, plug the supplied power terminal block into the hub according to the connector's orientation.



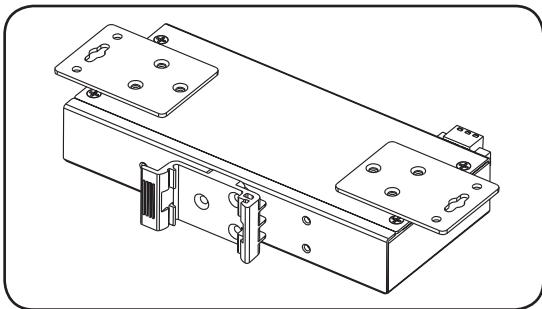
4

Mounting Kit Installation

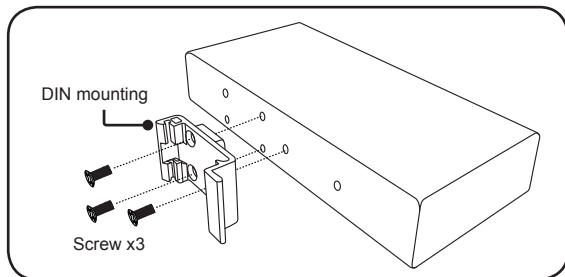
Mounting Hardware Installation

The U223-004-IND and U223-007-IND hubs can be placed on a flat surface, or mounted using the included wallmount brackets or DIN rail hardware. Reference the diagrams below when installing the mounting hardware.

Wallmount Hardware Installation

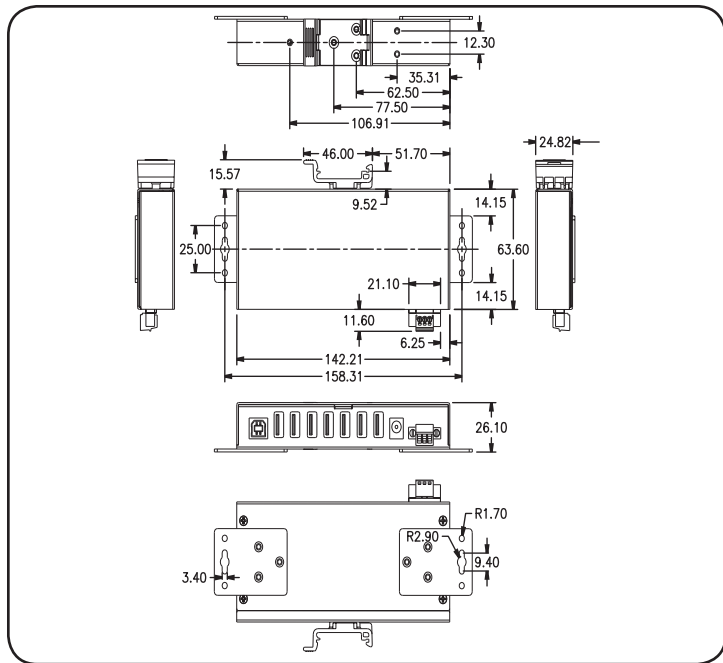


DIN Rail Hardware Installation



Mounting Kit Installation

Note: The U223-007-IND and U223-004-IND's dimensions are the same; the only difference between the two models is the number of USB ports.



Specifications

Item	Description
Ports	4 x USB 2.0 (U223-004-IND model) 7 x USB 2.0 (U223-007-IND model)
ESD Protection	15KV ESD
Transmission Speed	12M~480Mbps
Power Requirement	Bus-power or External Power Supply: (5V, 2.5A DC for U223-004-IND), (5V, 3A DC for U223-007-IND) 3-Pin Terminal: (9~36V DC)
Operating Temperature	0°C to 60°C (32°F to 140°F)
Operating Humidity	5 to 95% RH
Dimension (LxWxH)	142 x 63.6 x 24.6 mm (5.6 x 2.5 x 1 in)
Enclosure Material	Metal
Regulatory Approvals	FCC/CE

Specification is subject to change without further notice.

Warranty & Warranty Registration

1-Year Limited Warranty

TRIPP LITE warrants its products to be free from defects in materials and workmanship for a period of one (1) year from the date of initial purchase. TRIPP LITE's obligation under this warranty is limited to repairing or replacing (at its sole option) any such defective products. To obtain service under this warranty, you must obtain a Returned Material Authorization (RMA) number from TRIPP LITE or an authorized TRIPP LITE service center. Products must be returned to TRIPP LITE or an authorized TRIPP LITE service center with transportation charges prepaid and must be accompanied by a brief description of the problem encountered and proof of date and place of purchase. This warranty does not apply to equipment, which has been damaged by accident, negligence or misapplication or has been altered or modified in any way.

EXCEPT AS PROVIDED HEREIN, TRIPP LITE MAKES NO WARRANTIES, EXPRESS OR IMPLIED, INCLUDING WARRANTIES OF MERCHANTABILITY AND FITNESS FOR A PARTICULAR PURPOSE.

Some states do not permit limitation or exclusion of implied warranties; therefore, the aforesaid limitation(s) or exclusion(s) may not apply to the purchaser.

EXCEPT AS PROVIDED ABOVE, IN NO EVENT WILL TRIPP LITE BE LIABLE FOR DIRECT, INDIRECT, SPECIAL, INCIDENTAL OR CONSEQUENTIAL DAMAGES ARISING OUT OF THE USE OF THIS PRODUCT, EVEN IF ADVISED OF THE POSSIBILITY OF SUCH DAMAGE. Specifically, TRIPP LITE is not liable for any costs, such as lost profits or revenue, loss of equipment, loss of use of equipment, loss of software, loss of data, costs of substitutes, claims by third parties, or otherwise.

Use of this equipment in life support applications where failure of this equipment can reasonably be expected to cause the failure of the life support equipment or to significantly affect its safety or effectiveness is not recommended. Do not use this equipment in the presence of a flammable anesthetic mixture with air, oxygen or nitrous oxide.

Warranty & Warranty Registration

FCC Notice, Class B

This device complies with part 15 of the FCC Rules. Operation is subject to the following two conditions: (1) This device may not cause harmful interference, and (2) this device must accept any interference received, including interference that may cause undesired operation.

Note: This equipment has been tested and found to comply with the limits for a Class B digital device, pursuant to part 15 of the FCC Rules. These limits are designed to provide reasonable protection against harmful interference in a residential installation. This equipment generates, uses and can radiate radio frequency energy and, if not installed and used in accordance with the instructions, may cause harmful interference to radio communications. However, there is no guarantee that interference will not occur in a particular installation. If this equipment does cause harmful interference to radio or television reception, which can be determined by turning the equipment off and on, the user is encouraged to try to correct the interference by one or more of the following measures:

- Reorient or relocate the receiving antenna.
- Increase the separation between the equipment and receiver.
- Connect the equipment into an outlet on a circuit different from that to which the receiver is connected.
- Consult the dealer or an experienced radio/TV technician for help.

Any changes or modifications to this equipment not expressly approved by Tripp Lite could void the user's authority to operate this equipment.

Warranty & Warranty Registration



WEEE Compliance Information for Tripp Lite Customers and Recyclers (European Union)

Under the Waste Electrical and Electronic Equipment (WEEE) Directive and implementing regulations, when customers buy new electrical and electronic equipment from Tripp Lite they are entitled to:

- Send old equipment for recycling on a one-for-one, like-for-like basis (this varies depending on the country)
- Send the new equipment back for recycling when this ultimately becomes waste

WARRANTY REGISTRATION

Visit www.tripplite.com/warranty today to register the warranty for your new Tripp Lite product. You'll be automatically entered into a drawing for a chance to win a FREE Tripp Lite product!*

* No purchase necessary. Void where prohibited. Some restrictions apply. See website for details.

Tripp Lite follows a policy of continuous improvement. Product specifications are subject to change without notice.

Notes



1111 W. 35th Street, Chicago, IL 60609 USA • www.tripplite.com/support

13-09-192 • 93-3218_RevB