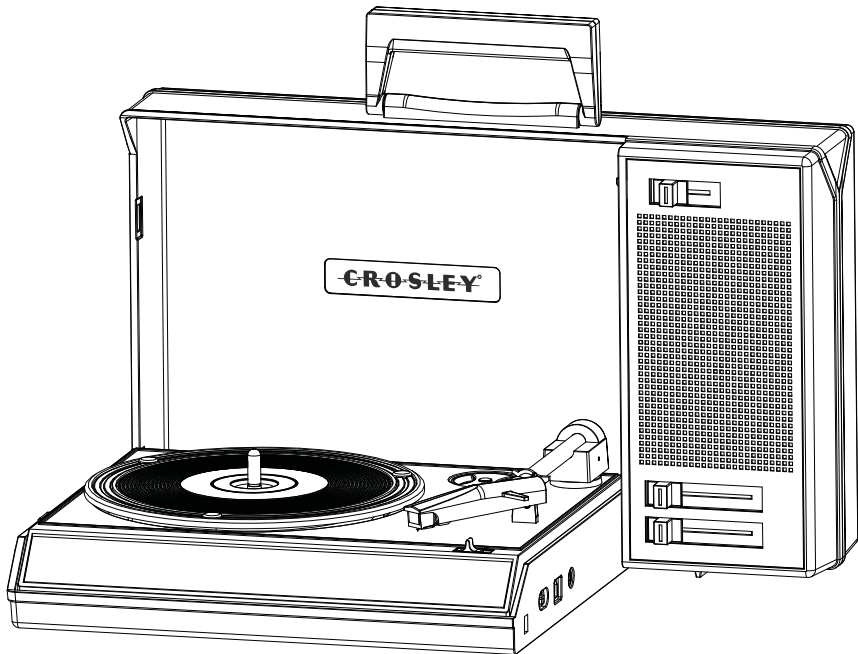


CROSLEY

CR6016A

PORTABLE TURNTABLE

Instruction Manual

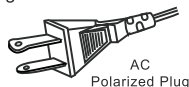


www.crosleyradio.com

IMPORTANT SAFETY INSTRUCTION

PLEASE READ CAREFULLY ALL THE FOLLOWING IMPORTANT SAFEGUARDS THAT ARE APPLICABLE TO YOUR EQUIPMENT

1. Read Instructions - All the safety and operating instructions should be read before the product is operated.
2. Retain instructions - The safety and operating instructions should be retained for future reference.
3. Heed Warnings - All warnings on the product and in the operating Instructions should be adhered to.
4. Follow Instructions - All operating and use instructions should be followed.
5. Cleaning - Unplug this product from the wall outlet before cleaning. Do not use liquid cleaners or aerosol cleaners. Use a damp cloth for cleaning.
6. Attachments - Do not use attachments not recommended by the product manufacturer as they may cause hazards.
7. Water and Moisture - Do not use this product near water - for example, near a bath tub, wash bowl, kitchen sink, or laundry tub; in a wet basement; or near a swimming pool; and the like.
8. A product and cart combination should be moved with care. Quick stops, excessive force, and uneven surfaces may cause the product and cart combination to overturn.
9. Ventilation - Slots and openings in the cabinet are provided for ventilation and to ensure reliable operation of the product and to protect it from overheating, and these openings must not be blocked or covered. The openings should never be blocked by placing the product on a bed, sofa, rug, or other similar surface. This product should not be placed in a built - in installation such as a bookcase or rack unless proper ventilation is provided or the manufacturer's instructions have been adhered to.
10. Power Sources - This product should be operated only from the type of power source indicated on the marking label, if you are not sure of the type of power supply to your home. Consult your product dealer or local power company. For products intended to operate from battery power, or other sources, refer to the operating instructions.
11. Grounding or Polarization - This product may be equipped with a polarized alternating-current line plug (a plug having one blade wider than the other). This plug will fit into the power outlet only one way. This is a safety feature. If you are unable to insert the plug fully into the outlet try reversing the plug. If the plug should still fail to fit, contact your electrician to replace your obsolete outlet. Do not defeat the safety purpose of the polarized plug.
12. Power - Cord Protection - Power - supply cords should be routed so that they are not likely to be walked on or pinched by items placed upon or against them, paying particular attention to cords at plugs, convenience receptacles, and the point where they exit from the product.
13. Lightning - For added protection for this product during a lightning storm, or when it is left unattended and unused for long periods of time, unplug it from the wall outlet and disconnect the antenna or cable system. This will prevent damage to the product due to lightning and power - line surges.
14. Power Lines - An outside antenna system should not be located in the vicinity of overhead power lines or other electric light or power circuits, or where it can fall into such power lines or circuits. When installing an outside antenna system, extreme care should be taken to keep from touching such power lines or circuits as contact with them might be fatal.
15. Overloading - Do not overload wall outlets, extension cords, or integral convenience receptacles as this can result in a risk of fire or electric shock.
16. Object and Liquid Entry - Never push objects of any kind into this product through openings as they may touch dangerous voltage points or short - out parts that could result in a fire or electric shock. Never spill liquid of any kind on the product.
17. Servicing - Do not attempt to service this product yourself as opening or removing covers may expose you to dangerous voltage or other hazards. Refer all servicing to qualified service personnel.
18. Damage Requiring Service - Unplug this product from the wall outlet and refer servicing to qualified service personnel under the following conditions;
 - a. When the power-supply cord or plug is damaged.
 - b. If liquid has been spilled, or objects have fallen into the product.
 - c. If the product has been exposed to rain or water.
 - d. If the product does not operate normally by following the operating instructions. Adjust only those controls that are covered by the operating instructions as an improper adjustment of other controls may result in damage and will often require extensive work by a qualified technician to restore the product to its normal operation.
 - e. If the product has been dropped or damaged in any way.
 - f. When the product exhibits a distinct change in performance - this indicates a need for service.
19. Replacement Parts - When replacement parts are required, be sure the service technician has used replacement parts specified by the manufacturer or have the same characteristics as the original part. Unauthorized substitutions may result in fire, electric shock, or other hazards.
20. Safety Check - Upon completion of any service or repairs to this product, ask the service technician to perform safety checks to determine that the product is in proper operating condition.
21. Wall or ceiling Mounting - The product should be mounted to a wall or ceiling only as recommended by the manufacturer.
22. Heat - The product should be situated away from heat sources such as radiators. Heat registers, stoves, or other products (including amplifiers) that produce heat.



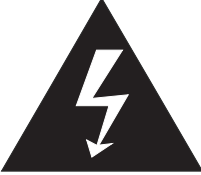

WARNING: Changes or modifications to this unit not expressly approved by the party responsible for compliance could void the user's authority to operate the equipment.

NOTE: This equipment has been tested and found to comply with the limits for a Class B digital device, pursuant to Part 15 of the FCC Rules. These limits are designed to provide reasonable protection against harmful interference in a residential installation. This equipment generates, uses, and can radiate radio frequency energy and, if not installed and used in accordance with the instructions, may cause harmful interference to radio communications. However, there is no guarantee that interference will not occur in a particular installation. If this equipment does cause harmful interference to radio or television reception, which can be determined by turning the equipment off and on, the user is encouraged to try to correct the interference by one or more of the following measures:

- Reorient or relocate the receiving antenna.
- Increase the separation between the equipment and receiver.
- Connect the equipment into a circuit different from that to which the receiver is connected.
- Consult the dealer or an experienced radio TV technician for help.

WARNING:

TO PREVENT FIRE OR SHOCK HAZARD, DO NOT EXPOSE THIS APPLIANCE TO RAIN OR MOISTURE. DO NOT REMOVE COVER. PILOT LAMPS SOLDERED IN PLACE. NO USER SERVICEABLE PARTS INSIDE. REFER SERVICING TO QUALIFIED SERVICE PERSONNEL.

 <p>The lightning flash with arrowhead symbol, within an equilateral triangle, is intended to alert user to the presence of uninsulated "dangerous voltage" within the product's enclosure that may be of sufficient magnitude to constitute risk of electric shock to persons.</p>	<div style="border: 1px solid black; padding: 5px; text-align: center;"> <p>CAUTION</p> <p>RISK OF ELECTRIC SHOCK</p> <p>DO NOT OPEN</p> </div> <p>CAUTION: TO REDUCETHE RISK OF ELECTRIC SHOCK, DO NOT REMOVE COVER (OR BACK). NO USER - SERVICEABLE PARTS INSIDE. REFER SERVICING TO QUALIFIED SERVICE PERSONNEL.</p>	 <p>The exclamation point within an equilateral triangle is intended to alert user to the presence of important operating and maintenance (servicing) instruction in the literature accompanying the appliance.</p>
--	--	--

SPECIFICATION

Power Supply : AC adapter -(DC 12V 1.5A)(Included)
 Power Consumption : 12W
 Speed : 33¹/₃ / 45 /78 RPM
 Speaker : 3.5 Dynamic Type x 1

For Windows:

Windows version	Recommended RAM/processor speed	Minimum RAM/processor speed
Windows 2000, XP	512 MB/1 GHz	128 MB/300 MHz
Windows Vista Home Basic	2 GB / 1 GHz	512 MB / 1 GHz
Windows Vista Home Premium/Business/Ultimate	4 GB / 2 GHz	1 GB / 1 GHz

For Mac:

Audacity 1.2 requires MAC OS X 10.1 or later
 Audacity runs best with at least 64 MB RAM and a 300 MHz processor.

•DESIGN AND SPECIFICATION SUBJECT TO CHANGE WITHOUT NOTICE.



1220 East Oak Street • Louisville, Kentucky 40204
www.crosleyradio.com

Welcome

Thank you for purchasing the Crosley Portable Turntable (CR6016A). Before operating this unit, please read this manual thoroughly and retain it for future reference.

About This Manual

Instructions in this manual describe the control functions of the CR6016A.

Included in this package:

- Portable Turntable
- Record Recording Software
- USB Cable
- Auxiliary Cable
- 45 RPM Adapter
- AC Adapter

Table of Contents

Getting Started

Control Locators.....	4
Unpacking.....	5
Power Source.....	5

Operation

Turntable Operation.....	6
USB/Recording.....	6
Auxiliary Input.....	6

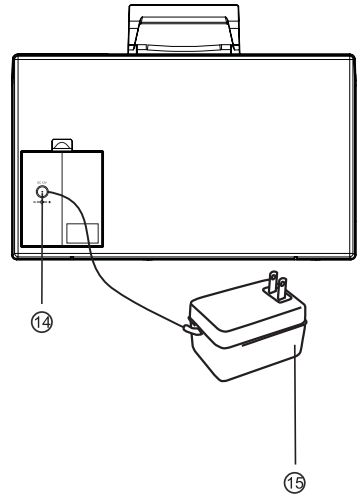
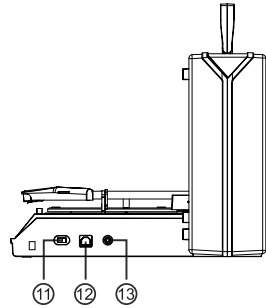
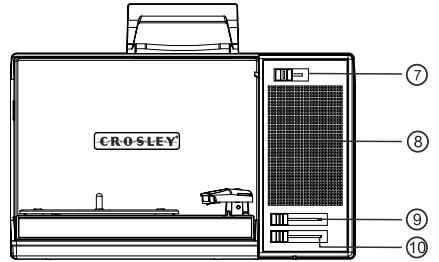
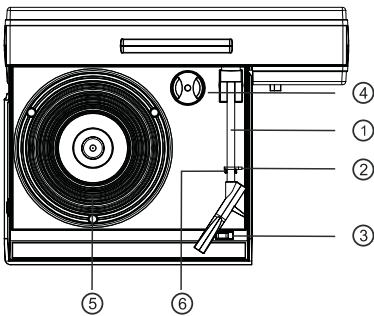
General

Troubleshooting Guide.....	7
Warranty.....	8

Control Locators

Unit Controls

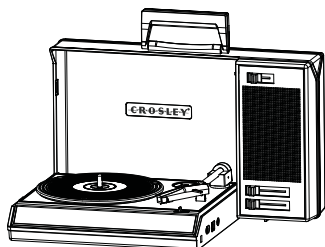
1. Tone Arm
2. Hold Down Clip
3. Speed Control Switch
4. 45 RPM Adapter
5. Turntable
6. Tone Arm Rest
7. Turntable Lock
8. Speaker
9. Volume Control
10. Tone Control
11. Aux In/Phono Function Switch
12. USB Jack
13. Aux In Jack
14. DC Jack
15. AC Adapter



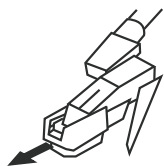
Getting Started

Unpacking

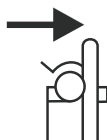
- 1 Remove packing materials from unit.
Note: Save all packing materials.
- 2 Remove AC ADAPTER (15) from the back of the unit.
- 3 Remove tie from AC ADAPTER(15).
- 4 Set the unit on its end, slide the TURNTABLE LOCK(7) to the right to open.



- 5 Remove black tie-wrap from under the TONE ARM(1).
- 6 Remove white protective needle cover by gently pulling towards the front of the unit.



- 7 Release tone arm HOLD DOWN CLIP (2) by gently pushing to the right. This will unlock TONE ARM (1) from its arm rest. Re-lock the HOLD DOWN CLIP (2) when moving the unit to another location.



Power Source

- 1 Untie the wire on the AC ADAPTER (15).
- 2 Plug the AC ADAPTER (15) into appropriate wall outlet.
- 3 Plug the small end of the adapter into the DC JACK(14) on the back of the unit.

Operation

Turntable Operation

- 1 Set the SPEED CONTROL SWITCH (3) to the correct speed (33 $\frac{1}{3}$, 45 or 78rpm).
- 2 Place the record on the turntable.
- 3 Move the TONE ARM (1) to the desired starting point on the record. The record will start playing.
- 4 Slide the VOLUME CONTROL (9) to adjust the volume to the desired level.
- 5 Slide the TONE CONTROL(10) to adjust the tone level.
- 6 At the end of the record, the TONE ARM(1) will stop automatically. You must return the TONE ARM(1) to TONE ARM REST(6) manually.

USB Operation

Using the included software and cable, the USB connection allows you record your records onto your computer. Follow these instructions to use the USB.

- 1 Insert the enclosed software CD into your computer.
- 2 Follow the instructions on the computer screen to install the software. If the CD does not load automatically, browse the CD run the executable file called "CR_USB. exe .
- 3 Connect the square end of the USB cable to the USB JACK (12) on the right side of the turntable.
- 4 Connect the other end to a USB port on your computer.
- 5 On your computer, open the Record Recording Software.
- 6 For instructions on operating the Record Recording Software, browse the software CD and open the Manuals folder.

Accessory: ADAPTER FOR 45 RPM

This adaptor allows you to play 45 RPM records.



- 1 Place the 45 RPM ADAPTER(4) over the spindle.
- 2 Gently place your 45 RPM record onto the turntable.
- 3 Follow the steps under turntable operation to play your record.

Auxiliary Input

- 1 You can connect external components to your unit by using the Auxiliary Input.
- 2 Plug Auxiliary cable into the AUX IN JACK(13) on the right side of the turntable.
- 3 Plug the other end of the Auxiliary cable into the output jack on your desired external component.
- 4 Check the volume level of your external component.
- 5 See operator manual for correct operation of the external component.

General

Troubleshooting

The unit does not operate.

- 1 The AC Power cord is not connected. Make sure it is connected to an AC outlet at the back of the unit.

Turntable

No sound is coming from unit.

- 1 The white protective needle cover was not removed.
- 2 The volume is not turned up.

Tone arm will not move.

- 1 Black tie-wrap was not removed from underneath tone arm.
- 2 Tone arm hold down clip was not released.

Limited Manufacturer's Warranty

Crosley Radio, Inc. warrants the product to be free from defects in material and workmanship under normal use for a period of one year from the original date of purchase. This warranty is not transferable. If the product is determined to be defective during the warranty period, the unit will be repaired or replaced at Crosley Radio's sole discretion. This warranty covers manufacturing defects and normal consumer use and does NOT cover damage or failure as a result of abuse, accident, alterations, misuse, neglect, abnormal wear and tear, inadequate maintenance, commercial or unreasonable use, damage caused by power surges, mishandling, accident, acts of God or attempted repair by an unauthorized service agent. Also not covered are cosmetic damages, cords and antennas.

Should this product fail to function in a satisfactory manner, it is best to first contact our technical support team for assistance to ensure it is being operated properly.

Tech Support and Product Questions

CALL TOLL FREE: 1.888.CROSLEY
(1.888.276.7539)

If it is indeed determined that the unit is no longer operational, please contact the retailer from which it was purchased. In many cases, your retailer will be able to provide a replacement unit at no charge within the scope of their return policy. If the retail return period has expired, please contact Crosley Radio directly to participate in the one year protection program.

Crosley 1 Year Warranty Program

CALL TOLL FREE: 1.800.926.7801

You will need to contact our offices M-F 8am-5pm EST to obtain an RA (Return Authorization) Number. You will be instructed to send the unit (at your cost) to our offices in its original packaging (or reasonable substitute to prevent damage.) You will need to clearly mark your RA number on the outside packaging and include the original sales receipt (or a copy) indicating date of purchase, amount paid, and place of purchase. You will also need to include your full name, shipping address and daytime contact number. You will be instructed to include a check or money order for any applicable return shipping and handling fees. A Crosley advisor will confirm the fees associated with your product's shipping size/weight. Returned products will not be shipped to PO Boxes. Crosley Radio will not be responsible for delays or unprocessed claims resulting from a purchaser's failure to provide any or all of the necessary information.

There are no express warranties except as listed above.
The purchaser's bill of sale is the only proof of warranty entitlement.

This warranty gives the purchaser specified legal rights in addition to any rights which may vary from state to state.

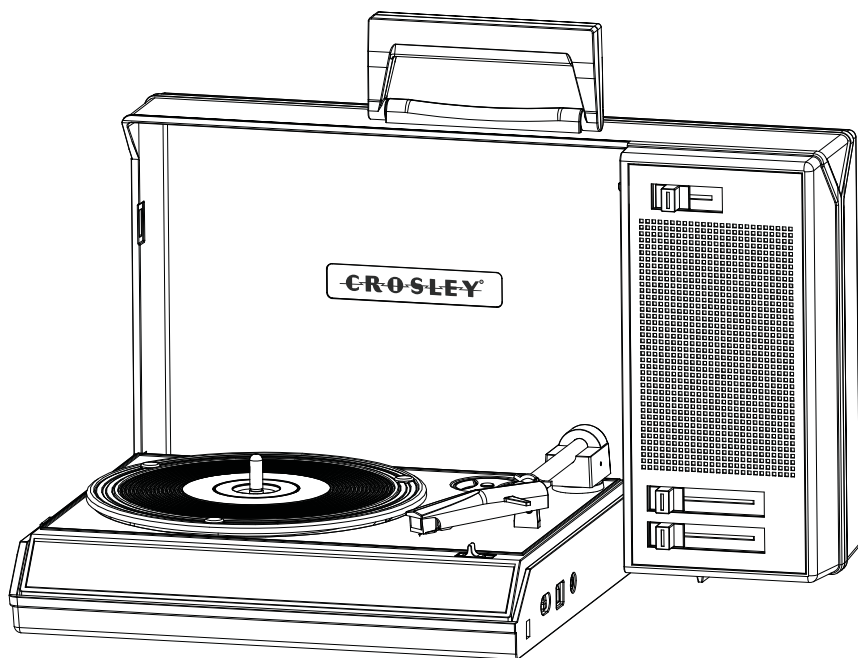
In accordance with the "Moss-Magnuson Warranty Act" of July 10, 1975, this is termed a "limited warranty" which in no way compromises Crosley Radio's high standards of quality and workmanship.

CROSLEY

CR6016A

TOURNE-DISQUE PORTABLE

Manuel d'Utilisateur

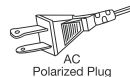


www.crosleyradio.com

AVIS IMPORTANT DE SÛRETE

VEUILLEZ LIRE ATTENTIVEMENT LES PRÉCAUTIONS SUIVANTES QUI S'APPLIQUENT À VOTRE ÉQUIPEMENT.

1. Lisez les instructions – Il faut lire toutes les instructions sur l'opération et les avis de sûreté avant de mettre l'appareil en marche.
2. Conservez les instructions – Il faut garder les instructions en lieu sûr pour utilisation ultérieure.
3. Respectez les avertissements – Il faut suivre tous les avertissements de sûreté imprimés sur l'appareil et dans les instructions écrites.
4. Suivez les instructions – Il faut suivre toutes les instructions pour l'opération de l'appareil.
5. Nettoyage – Débranchez l'appareil de la prise murale avant de le nettoyer. N'employez pas de produits de nettoyage liquides ou aérosols. Utilisez un chiffon sec.
6. Accessoires – N'utilisez pas d'accessoires qui ne sont pas autorisés par le fabricant du produit car ils peuvent provoquer des dangers.
7. Eau et humidité – N'utilisez pas ce produit à proximité de l'eau – par exemple, près d'une baignoire, d'un lavabo, d'un évier, d'une cuve à lessive, dans une cave humide ou près d'une piscine ou toute situation similaire.
8. Il faut déplacer l'appareil avec précaution au cas où il se trouve sur une base. Des arrêts trop vifs, la force excessive ou des surfaces inégales peuvent provoquer une chute de l'appareil.
9. Ventilation – Le coffret de l'appareil est équipé de fentes et d'ouvertures pour la ventilation, pour assurer une opération fiable et pour empêcher qu'il ne surchauffe. Il ne faut pas boucher ou couvrir ces ouvertures. Il ne faut pas placer l'appareil sur un lit, un sofa, une moquette ou n'importe quelle autre surface qui puisse boucher ces ouvertures. Il ne faut pas placer l'appareil sur une étagère ou dans un rack à moins d'assurer une ventilation adéquate et suivre les instructions du fabricant.
10. Sources d'alimentation – Cet appareil doit être alimenté seulement par le type d'alimentation indiqué sur l'étiquette. Au cas où vous ne seriez pas sûr du type d'alimentation disponible à votre domicile, veuillez consulter votre revendeur ou votre société fournisseur d'énergie. Dans le cas de produits conçus pour opérer avec des piles ou d'autres sources d'énergie, rappelez-vous à l'avis d'opération.
11. Mise à la terre ou polarisation – Cet appareil peut être équipé d'une fiche polarisée de cordon d'alimentation en courant alternatif (une fiche dont une broche est plus large que l'autre). Cette fiche ne peut être branchée sur la prise murale que dans un seul sens. Ceci est un dispositif de sûreté. Au cas où vous ne réussiriez pas à brancher la fiche complètement sur la prise, faites pivoter la fiche d'un demi-tour et essayez de nouveau. Si la fiche ne rentre toujours pas dans la prise, contactez votre électricien afin de remplacer votre prise défectueuse. Ne cherchez pas à déjouer le dispositif de sûreté de la fiche polarisée.
12. Alimentation – Protection des cordons – Placez les cordons d'alimentation de telle façon que l'on n'y marche pas dessus ou qu'ils ne soient pas coincés par des objets à proximité ou placés au dessous de ceux-ci. Il faut prêter une attention particulière aux cordons là où ils rentrent dans des prises, dans des multiprises, et là où ils sortent du produit même.
13. Foudre – Pour donner plus de protection à votre appareil lors d'orages avec éclairs ou bien quand il se trouve sans utilisation pendant des périodes prolongées, veuillez le débrancher du secteur et aussi débranchez l'antenne ou le système du câble. Ceci évitera des dommages au produit dus à la foudre ou aux surcharges d'alimentation.
14. Lignes de transmission – Il ne faut pas situer un système d'antenne extérieure dans le voisinage des lignes de transmission électriques ou d'autres circuits de tension ou de lumière ou là où le système d'antenne risque de tomber sur de telles lignes. Lors de l'installation d'un système d'antenne extérieure il faut faire très attention à ne pas venir contacter ces lignes, ce qui pourrait causer danger de mort. La prise murale sert comme dispositif de coupure. Celle-ci doit fonctionner correctement et ne doit pas être entravée lors de l'utilisation prévue. Pour couper l'alimentation de l'appareil, il suffit de débrancher complètement la fiche de la prise de courant murale.
15. Surcharge – Ne surchargez pas les prises murales, les rallonges ou les multiprises. Tout manquement à cet avertissement peut provoquer un incendie ou un choc électrique.
16. Introduction d'objets ou de liquide. N'introduisez jamais d'objet quelconque par les fentes ou les ouvertures qui risquent d'entrer en contact avec des points de voltage ou de faire un court-circuit qui peut provoquer un incendie ou un choc électrique. Ne déversez jamais de liquide quelconque sur l'appareil.
17. Réparation – Ne cherchez pas à réparer cet appareil vous-même car à l'ouverture du coffret vous risquez d'entrer en contact avec le voltage ou d'autres dangers. Confiez toute réparation au personnel de service qualifié.
18. Dommages qui demandent une réparation – Débranchez l'appareil de la prise murale et adressez-vous au personnel de service qualifié dans les circonstances suivantes:
 - a) Quand le cordon d'alimentation est endommagé.
 - b) Quand on a déversé du liquide ou des objets sont tombés à l'intérieur.
 - c) Quand l'appareil a été exposé à la pluie ou à l'eau.
 - d) Quand l'appareil ne marche pas normalement en suivant le mode d'emploi.
Réglez seulement les contrôles qui sont mentionnés dans le mode d'emploi, car tout manquement des autres contrôles peut provoquer des dommages et peut souvent demander l'intervention d'un technicien qualifié pour remettre l'appareil en marche.
 - e) Quand on a fait tomber l'appareil ou quand il a été endommagé autrement.
 - f) Quand l'appareil change abruptement de performance – ceci indique le besoin de réparation.
19. Pièces de rechange – Au cas où vous auriez besoin de pièces de rechange, veuillez vérifier que le technicien s'est servi de pièces spécifiées par le fabricant ou que ces pièces ont les mêmes caractéristiques des pièces d'origine. Des substitutions non autorisées peuvent provoquer un incendie, un choc électrique ou d'autres dangers.
20. Vérification de sécurité – lors du service ou des réparations sur cet appareil, demandez au technicien de service de bien vouloir faire une vérification de sécurité pour confirmer que l'appareil est en bon état de marche.
21. Montage sur mur ou plafond – L'appareil doit être monté seulement selon les conseils du fabricant.
22. Chaleur – L'appareil doit être situé à distance de sources de chaleur telles que radiateurs, bouches d'air chaud, cuisinières ou autres appareils (y compris les amplificateurs) qui dégagent de la chaleur. Les piles ne doivent pas être exposées à la chaleur excessive telle l'ensoleillement, le feu ou toute situation similaire.



AC Polarized Plug

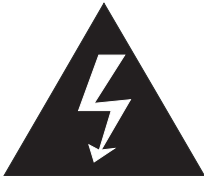

AVERTISSEMENT: Tout changement ou modification à cet appareil qui n'est pas spécifiquement approuvé par la personne responsable peut annuler l'autorité de l'utilisateur à se servir de l'équipement.

AVIS: Cet équipement fait l'objet d'essais et a été déclaré conforme aux limites d'un appareil numérique de Classe B, selon la Section 15 du règlement FCC. Ces limites sont conçues pour protéger contre les émissions parasites dans une installation résidentielle. Cet équipement génère, utilise et peut émettre de l'énergie à fréquence radio et peut être à la source d'émissions parasites qui brouillent les communications radio au cas où il n'est pas installé et utilisé selon les instructions. Ceci dit, il n'est pas garanti que des émissions parasites ne résultent pas d'une installation particulière. Au cas où des émissions parasites à la réception radio ou télévision en résulteraient, on peut confirmer que l'appareil en est la source en activant le bouton marche/arrêt. L'utilisateur peut ensuite éliminer ces émissions en choisissant une ou plusieurs des méthodes suivantes:

- réorienter l'antenne de réception ou la changer de place
- éloigner l'équipement du receveur
- brancher l'équipement sur un circuit différent de celui sur lequel le receveur est branché
- consulter le revendeur ou un technicien de télévision qualifié pour des conseils.

AVERTISSEMENT :

POUR ÉVITER DES RISQUES D'INCENDIE OU DE CHOC ÉLECTRIQUE, N'EXPOSEZ PAS CET APPAREIL À LA PLUIE NI À L'HUMIDITÉ. N'ENLEVEZ PAS LE COUVERCLE. LES TÉMOINS SONT SOUDÉS EN PLACE. L'INTÉRIEUR NE CONTIENT AUCUN COMPOSANT À RÉPARER PAR L'UTILISATEUR. CONFIEZ VOTRE APPAREIL SEULEMENT AU PERSONNEL DE SERVICE QUALIFIÉ.

 <p>Le symbole de l'éclair avec la pointe de flèche à l'intérieur d'un triangle équilibre a pour but d'alerter l'utilisateur de la présence de <<voltage dangereux>> non isolé à l'intérieur du coffret du produit qui est suffisamment grave pour causer un risque de choc électrique aux personnes.</p>	<div style="border: 1px solid black; padding: 5px; text-align: center;"> <p>AVERTISSEMENT :</p> <p>RISQUES DE CHOC ELECTRIQUE. NE PAS OUVRIR.</p> </div> <p>AVERTISSEMENT:Pour RéDUIRE Les risques de choc électrique,. N'enlevez pas le couvercle(OU LE DOS). L'intérieur ne contient aucun composant à réparer par l'utilisateur. Confiez votre aPPAREIL seulement au personnel de service qualifié.</p>	 <p>Le point d'exclamation à l'intérieur d'un triangle équilatéral a pour but d'alerter l'utilisateur de la présence d'instructions importantes sur l'opération et l'entretien dans le manuel de l'utilisateur livré avec l'appareil.</p>
--	---	--

Spécifications techniques

Source d'alimentation : Adaptateur CA 120V~60Hz/CD 12V@ 1.5 ampères,inclus
 Consommation : 12W
 Vitesses : 33 1/3,45,78 Tours
 Haut-parleur : 5 po Type dynamique×1

Pour Windows:

Windows version	RAM/Vitesse processeur recommandée	RAM/Vitesse processeur minimum
Windows 2000, XP	512 MB/1 GHz	128 MB/300 MHz
Windows Vista Home Basic	2 GB / 1 GHz	512 MB / 1 GHz
Windows Vista Home Premium/Business/Ultimate	4 GB / 2 GHz	1 GB / 1 GHz

Pour Mac:

Audacity 1.2 nécessite MAC OS×10.1 ou plus récent
 Audacity fonctionne au mieux avec 64MB RAM au moins et un processeur 300 MHz

• **LE FABRICANT RÉSERVE LE DROIT DE CHANGER LA CONCEPTION ET LES SPÉCIFICATIONS SANS PRÉAVIS.**



1220 East Oak Street • Louisville, Kentucky 40204
www.crosleyradio.com

Bienvenue

Merci d'avoir acheté le tourne-disque portable de Crosley (CR6016A). Veuillez lire attentivement ce manuel avant d'utiliser cet appareil et conservez-le comme référence.

À propos de ce manuel

Les instructions de ce manuel décrivent les fonctions de commande du CR6016A.

Inclus dans cet emballage :

- Tourne-disque portable
- Logiciel d'enregistrement de disque
- Câble USB
- Câble auxiliaire
- Adaptateur 45 T/M
- Adaptateur CA

Table des matières

Pour commencer

Localisateur des commandes.....	4
Déballage.....	5
Source d'alimentation.....	5

Utilisation

Utilisation du tourne-disque...	6
USB/enregistrement.....	6
Entrée auxiliaire.....	6

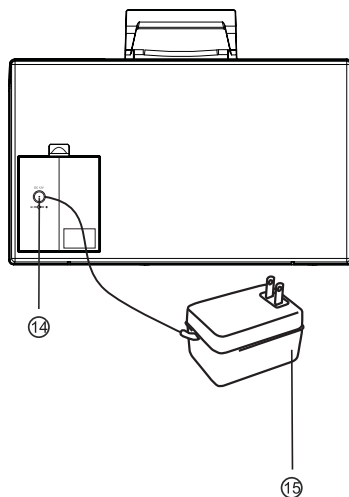
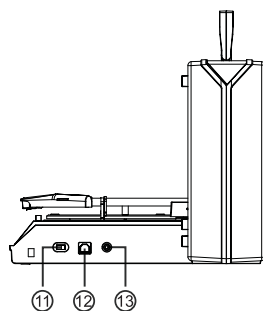
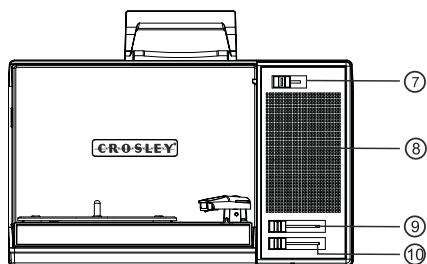
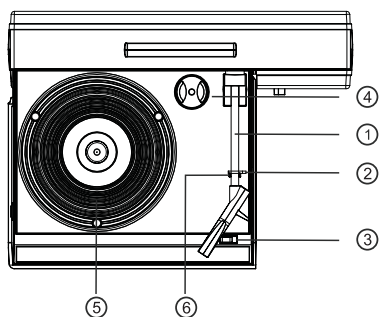
Généralités

Guide de dépannage.....	7
Garantie.....	8

Emplacement des commandes

Commandes de l'unité

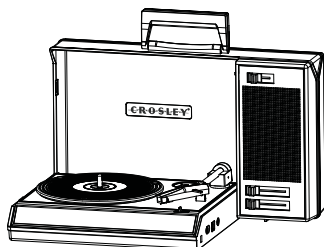
1. Bras de lecture
2. Attache de retenue
3. Bouton de réglage de vitesse
4. Adaptateur 45 T/M
5. Tourne-disque
6. Support du bras de lecture
7. Verrouillage du tourne-disque
8. Haut-parleur
9. Commande du volume
10. Commande de la tonalité
11. Sélecteur de fonction phono/entrée aux.
12. Prise USB
13. Prise d'entrée aux.
14. Prise CC
15. Adaptateur CA



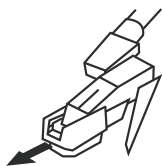
Pour commencer

Déballage

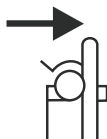
- 1 Retirez le matériel d'emballage de l'appareil.
Remarque : conservez tout le matériel d'emballage.
- 2 Retirez l'ADAPTATEUR CA (15) de l'arrière de l'appareil.
- 3 Retirez l'attache de l'ADAPTATEUR CA (15).
- 4 Réglez l'appareil sur son extrémité et faites glisser le **VERROU DU TOURNE-DISQUE (7)** vers la droite pour l'ouvrir.



- 5 Retirez les attaches autobloquantes noires de sous le **BRAS DE LECTURE (1)**.
- 6 Retirez le couvercle de protection blanc de l'aiguille en le tirant doucement vers l'avant de l'appareil.



- 7 Ouvrez l'**ATTACHE DE RETENUE (2)** du bras de lecture en poussant doucement vers la droite. Cela permettra de déverrouiller le **BRAS DE LECTURE (1)** de son accoudoir. Refermez l'**ATTACHE DE RETENUE (2)** lors du déplacement de l'unité à un autre endroit.



Source d'alimentation

- 1 Détachez le fil sur l'ADAPTATEUR CA (15).
- 2 Branchez l'ADAPTATEUR CA (15) dans une prise murale appropriée.
- 3 Branchez la petite extrémité de l'adaptateur dans la **PRISE CC (14)** à l'arrière de l'appareil.

Utilisation

Utilisation du tourne-disque

- 1 Réglez le **COMMUTATEUR DE VITESSE** (3) à la bonne vitesse (33 1/3, 45 ou 78 T/M).
- 2 Placez le disque sur le tourne-disque.
- 3 Déplacez le **BRAS DE LECTURE** (1) au point de départ désiré sur le disque. La lecture du disque va débiter.
- 4 Tournez la **COMMANDE DU VOLUME** (9) pour régler le volume au niveau souhaité.
- 5 Faites glisser la **COMMANDE DE LA TONALITÉ** (10) pour ajuster la tonalité.
- 6 Le **BRAS DE LECTURE** (1) s'arrête automatiquement à la fin du disque. Vous devez remettre le **BRAS DE LECTURE** (1) sur l'**ACCOUDOIR DU BRAS DE LECTURE** (6) manuellement.

Utilisation de la connexion USB

La connexion USB vous permet d'enregistrer vos disques sur votre ordinateur avec le logiciel et le câble. Suivez ces instructions pour utiliser la connexion USB.

- 1 Insérez le CD du logiciel ci-joint dans votre ordinateur.
- 2 Suivez les instructions à l'écran de votre ordinateur pour installer le logiciel. Si le CD ne s'ouvre pas automatiquement, parcourez le CD et lancez le fichier exécutable nommé « CR_USB.exe. »
- 3 Branchez l'extrémité carrée du câble USB à la **PRISE USB** (12) située sur le côté droit du tourne-disque.
- 4 Branchez l'autre extrémité à un port USB sur votre ordinateur.
- 5 Ouvrez le logiciel d'enregistrement de disque sur votre ordinateur.
- 6 Parcourez le CD du logiciel et ouvrez le dossier « Manuals » pour obtenir des instructions sur le fonctionnement du logiciel d'enregistrement de disque.

Accessoire : Adaptateur pour 45 T/M

Cet adaptateur vous permet de faire jouer des disques 45 tours.



- 1 Placez l'**ADAPTATEUR 45 T/M** (4) sur la broche.
- 2 Placez délicatement votre disque 45 tours sur le tourne-disque.
- 3 Suivez les étapes de la section « utilisation du tourne-disque » pour faire jouer votre disque.

Entrée auxiliaire

- 1 Vous pouvez connecter des composants externes à votre appareil en utilisant l'entrée auxiliaire.
- 2 Branchez le câble auxiliaire dans la **PRISE D'ENTRÉE AUX.** (13) sur le côté droit du tourne-disque.
- 3 Branchez l'autre extrémité du câble auxiliaire dans la prise de sortie du composant externe souhaité.
- 4 Vérifiez le niveau du volume de votre composant externe.
- 5 Voir le manuel de l'utilisateur pour la bonne utilisation du composant externe.

Généralités

Dépannage

L'appareil ne fonctionne pas.

- 1 Le cordon d'alimentation CA n'est pas branché. Assurez-vous qu'il est branché à la prise CA à l'arrière de l'appareil.

Tourne-disque

Aucun son n'est émis par l'appareil.

- 1 Le capuchon protecteur blanc de l'aiguille n'a pas été enlevé.
- 2 Le volume n'est pas assez élevé pour être audible.

Le bras de lecture ne bouge pas.

- 1 L'attache autobloquante noire n'a pas été retirée de dessous du bras de lecture.
- 2 L'attache de retenue du bras de lecture n'a pas été ouverte.

GARANTIE LIMITÉE DU FABRICANT

Crosley Radio, Inc. garantit que le produit est exempt de vices matériels et de fabrication s'il est soumis à une utilisation normale pendant une période d'un an à compter de la date d'achat originale. Cette garantie n'est pas transférable. Si le produit est jugé défectueux pendant la période de garantie, l'appareil sera réparé ou remplacé, et ce, à la discrétion de Crosley Radio. Cette garantie couvre les défauts de fabrication et une utilisation normale par un consommateur, mais NE couvre PAS les pannes ou les dommages causés par un abus, un accident, une altération, un usage inapproprié, la négligence, une usure anormale, un entretien inadéquat, une utilisation commerciale ou déraisonnable, une surtension, une mauvaise manipulation, un accident, une catastrophe naturelle ou une tentative de réparation par un agent de service non autorisé. Les dommages cosmétiques ainsi que les dommages aux cordons d'alimentation et aux antennes ne sont également pas couverts.

Si ce produit ne fonctionne pas de manière satisfaisante, il est préférable de d'abord communiquer avec notre équipe d'assistance technique pour obtenir du soutien afin de s'assurer qu'il est utilisé correctement.

Soutien technique et questions sur le produit

APPELEZ SANS FRAIS : 1-888-CROSLLEY
(1-888-276-7539)

Veillez contacter le revendeur auprès duquel l'appareil a été acheté s'il est déterminé qu'il n'est effectivement plus opérationnel. Dans de nombreux cas, votre détaillant sera en mesure de vous fournir un appareil de remplacement sans frais dans le cadre de sa politique de retour. Si la période de retour au détail est expirée, veuillez communiquer directement avec Crosley Radio pour participer au programme de protection d'un an.

Programme de garantie d'un (1) an de Crosley

APPELEZ SANS FRAIS : 1-800-926-7801

Vous aurez besoin de contacter nos bureaux du lundi au vendredi de 8 h à 17 h HNE pour obtenir un numéro AR (autorisation de retour) Vous serez chargé d'envoyer l'appareil (à vos frais) à nos bureaux dans son emballage original (ou un substitut raisonnable pour éviter tout dommage). Vous devrez marquer clairement votre numéro AR sur l'emballage extérieur et inclure le reçu de vente original (ou une copie) indiquant la date d'achat, le montant payé et le lieu d'achat. Vous aurez aussi besoin d'inclure votre nom complet, votre adresse de livraison et votre numéro de téléphone de jour. Vous recevrez comme instruction d'inclure un chèque ou un mandat-poste pour couvrir les frais d'expédition de retour et de manutention applicables. Un conseiller Crosley confirmera les frais d'expédition liés à la taille et au poids de votre produit. Les produits retournés ne seront pas expédiés à des boîtes postales. Crosley Radio ne sera pas responsable des retards ou des réclamations non traitées résultant de la défaillance de la part d'un acheteur de fournir l'ensemble ou une partie des informations nécessaires.

Il n'existe aucune garantie expresse autre que celles citées ci-dessus.

La preuve d'achat du consommateur est la seule preuve du droit à la garantie.

Cette garantie donne à l'acheteur des droits légaux spécifiques en plus de droits qui peuvent varier d'un État à l'autre.

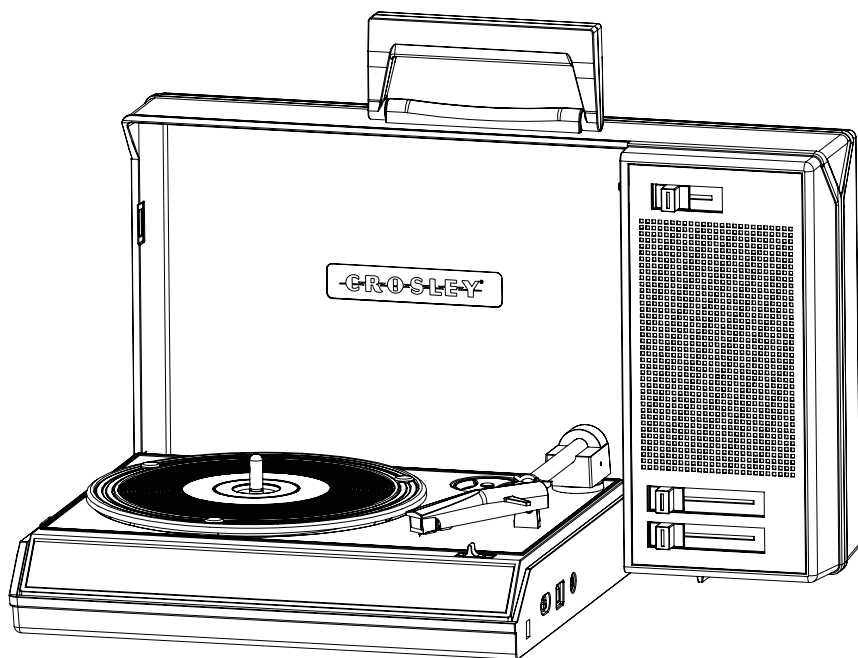
Conformément à la loi « Moss-Magnuson Warranty Act » du 10 juillet 1975, il s'agit de ce que l'on appelle une « garantie limitée », ce qui ne compromet en rien les normes élevées en matière de qualité de la fabrication de Crosley Radio.

CROSLEY

CR6016A

TOCADISCOS PORTÁTIL

Manual del Usuario

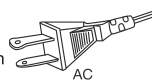


www.crosleyradio.com

AVISO IMPORTANTE DE SEGURIDAD

POR FAVOR LEA CON MUCHO CUIDADO LAS PRECAUCIONES SIGUIENTES QUE SE APLICAN A SU EQUIPO.

1. Léa las instrucciones – Hay que leer todas las instrucciones sobre la operación y los avisos de seguridad antes I aparato en marcha.
2. Guarde las instrucciones – Hay que guardar las instrucciones en lugar seguro para uso posterior.
3. Respete las advertencias – Hay que seguir todas las advertencias de seguridad impresos en el aparato y en las escritas.
4. Siga las instrucciones – Hay que seguir todas las instrucciones para la operación del aparato.
5. Limpieza – Desenchufe el aparato del tomacorriente antes de limpiarlo. No utilice productos de limpieza líquidos ó aerosoles. Utilice un trapo seco.
6. Accesorios – No utilice accesorios que no son autorizados por el fabricante del producto porque pueden causar riesgos.
7. Agua y humedad – No utilice este aparato en la proximidad del agua – por ejemplo, cerca de una tina, de un fregadero, de un lavadero, en un sótano húmedo ó cerca de una piscina ó cualquier ambiente similar.
8. Hay que desplazar el aparato con precaución en el caso que se encuentra sobre una base. Las paradas demasiado bruscas, la fuerza excesiva ó las superficies irregulares pueden causar la caída del aparato.
9. Ventilación – La caja del aparato lleva ranuras y aberturas para la ventilación, para asegurar una operación fiable y para impedir que se sobrecaliente. No hay que tapan ni cubrir estas aberturas. No hay que poner el aparato sobre una cama, un sofá, una alfombra ó cualquier otra superficie que pueda tapan estas aberturas. No hay que poner el aparato en un estante ó en un muestrario a menos de asegurar una ventilación adecuada y seguir las instrucciones del fabricante.
10. Fuentes de energía – Este aparato debe alimentarse solamente con el tipo de energía indicado en la etiqueta. En el caso de que Usted no esté seguro del tipo de energía disponible para su casa, haga el favor de consultar a su vendedor ó a su compañía de energía. En el caso de productos para operación con baterías u otras fuentes de energía, consulte con el manual del usuario.
11. Puesta a tierra o polarización – Este aparato está equipado de una ficha polarizada de cordón de energía en corriente alternativa (una ficha con una broca más ancha que la otra). Esta ficha puede enchufarse en el tomacorriente en un solo sentido. Esto es un dispositivo de seguridad. Si la ficha no entra en el tomacorriente, hay que darla media vuelta e intentar de enchufarla de nuevo. Si aún la ficha no quiere entrar en el tomacorriente, contacte a su electricista para cambiar su tomacorriente obsoleto. No trate de deformar el dispositivo de seguridad de la ficha polarizada.
12. Energía – Protección de los cordones – Coloque los cordones de energía de manera que no se pisen o que no se aprieten por objetos en la proximidad o colocados de por encima. Hay que poner una atención especial en los cordones dónde entran en los tomacorriente, en los tomacorriente múltiples y también dónde salen del aparato mismo.
13. Rayos – Para dar más protección a su aparato durante las tormentas con relámpagos ó cuando se encuentra sin uso durante ratos largos, hay que desenchufarlo del tomacorriente y también desconectar la antena ó el sistema de cable. Esto evita los daños al producto debidos a los rayos ó a los sobrecargos de energía.
14. Líneas de transmisión – No hay que colocar un sistema de antena exterior en la proximidad de líneas de transmisión eléctrica u otros circuitos de voltaje ó de luces dónde el sistema de antena corra el riesgo de caer sobre tales líneas. Al momento de hacer la instalación de un sistema de antena exterior hay que poner mucha atención en no venir en contacto con estas líneas, lo que puede resultar en riesgo de muerte.
15. Sobrecarga – No sobrecargue los tomacorriente, los cordones ó los tomacorriente múltiples. Toda falta de respetar esta advertencia puede causar un incendio ó un choque eléctrico.
16. Introducción de objetos ó de líquido. No introduzca jamás cualquier objeto por las ranuras ó las aberturas que pueda venir en contacto con los puntos de voltaje ó hacer corto-circuito que puede causar un incendio ó un choque eléctrico. No derrame jamás ningún líquido sobre el aparato.
17. Reparación – No tente de reparar este aparato usted mismo porque al abrir la caja usted corre el riesgo de venir en contacto con el voltaje ó con otros riesgos. Confíe toda reparación al personal de servicio calificado.
18. Daños que necesitan una reparación – Desenchufe el aparato del tomacorriente y contacte al personal de servicio calificado en las circunstancias siguientes:
 - a. Cuando el cordón de energía está dañado.
 - b. Cuando se ha derramado algún líquido ó un objeto alguno se ha caído al interior.
 - c. Cuando el aparato ha sido expuesto a la lluvia ó al agua.
 - d. Cuando el aparato no funciona normalmente con seguir las instrucciones de uso. Toque solamente los mandos que son indicados en las instrucciones de uso, puesto que con tocar los otros mandos usted puede causar daños y muchas veces esto puede necesitar la intervención de un técnico calificado para poner el aparato en marcha.
 - e. Cuando se ha dejado caer el aparato ó cuando se ha dañado de cualquier manera.
 - f. Cuando el aparato cambia abruptamente de funcionamiento – esto indica la necesidad de reparación.
19. Piezas de repuesto – En el caso que Usted necesita piezas de repuesto, hay que verificar que el técnico ha puesto las piezas especificadas por el fabricante ó que estas piezas tengan las mismas características de las piezas de origen. Las sustituciones no autorizadas pueden causar un incendio, un choque eléctrico u otros riesgos.
20. Verificación de seguridad– al momento de hacer servicio ó reparaciones en este aparato, pida al técnico de servicio de hacer una verificación de seguridad para confirmar que el aparato está en buenas condiciones de marcha.
21. Fijación a la pared ó en el techo – El aparato debe fijarse solamente según los consejos del fabricante.
22. Calor – El aparato debe situarse a distancia de fuentes de calor tales como los radiadores, las bocas de aire caliente, cocinas u otros aparatos (y también los amplificadores) que desprenden calor.





ADVERTENCIA: Todo cambio ó modificación a este aparato que no está específicamente aprobado por la persona responsable puede cancelar la autoridad del usuario a usar el equipo.

AVISO: Este equipo ha sido objeto de ensayos y se ha declarado conforme a los límites de un aparato digital de Clase B, según la Sección 15 del reglamento FCC. Estos límites son concebidos para proteger contra las emisiones perjudiciales en una instalación residencial. Este equipo genera, utiliza y puede emitir energía de frecuencia radio y puede ser la fuente de emisiones perjudiciales que enturbian las comunicaciones radio en el caso de no ser instalado y utilizado según las instrucciones. Con decir esto, no hay garantía que la interferencia no sea de una instalación específica. Si este equipo causa interferencia perjudicial a la radio ó a la recepción de televisión, se puede determinar apagando y encendiendo el equipo. El usuario está alentado a corregir la interferencia por una ó varias de las siguientes maneras:

- reorientar la antena de recepción ó cambiarla de lugar
- aumentar la distancia entre el equipo y el receptor
- conectar el equipo a un circuito diferente del que el receptor está conectado.
- consultar al vendedor ó a un técnico de televisión calificado para consejos.

¡ ATENCIÓN !

PARA RÉDUCIR LOS RIESGOS DE CHOQUE ELÉCTRICO, NO EXPONGA ESTE APARATO A LA LLUVIA NI A LA HUMEDAD. NO quite LA TAPA. LOS PILOTOS SON SOLDADOS EN LUGAR. EL INTERIOR NO CUENTA CON COMPONENTES A REPARAR POR EL USUARIO. CONFÍE SU APARATO SOLAMENTE AL PERSONAL DE SERVICIO CALIFICADO.

 <p>El símbolo de rayo con punto de flecha al interior del triángulo equilateral lleva el propósito de poner al usuario sobre aviso de la presencia de «voltaje peligroso» no aislado al interior de la caja del aparato que es suficientemente grave para causar un riesgo de choque eléctrico a las personas.</p>	<div style="border: 1px solid black; padding: 5px; text-align: center;"> <p>¡ ATENCIÓN !</p> <p>RIESGOS DE CHOQUE ELÉCTRICO NO ABRIR</p> </div> <p>¡ ATENCIÓN ! PARA REDUCIR LOS RIESGOS DE CHOQUE ELÉCTRICO, NO quite LA TAPA (Ó LA PARTE DE ATRÁS). EL INTERIOR NO CUENTA CON NINGÚN COMPONENTE A REPARAR POR EL USUARIO. CONFÍE SU APARATO SOLAMENTE AL PERSONAL DE SERVICIO CALIFICADO.</p>	 <p>El signo de admiración al interior del triángulo equilateral lleva el propósito de poner al usuario sobre aviso de la presencia de instrucciones importantes concernientes a la operación y al mantenimiento que se encuentran en el manual del usuario librado con el aparato.</p>
--	---	--

Especificaciones técnicas

Fuente de energía	: Adaptador (incluido)CA 120V~60Hz/CD 12V-1.5 amperios
Consumo	: 12W
Vilocidades	: 33-1/3,45,78 rmp
Parlantes	: 5 pulgadas-tipo dinámico×1

Para Windows:

Windows versión	RAM/Velocidad procesor recomendadas	RAM/Velocidad procesor minimas
Windows 2000, XP	512 MB/1 GHz	128 MB/300 MHz
Windows Vista Home Basic	2 GB / 1 GHz	512 MB / 1 GHz
Windows Vista Home Premium/Business/Ultimate	4 GB / 2 GHz	1 GB / 1 GHz

Para Mac:

Audacity 1.2 necesita MAC OS×10.1 ó más reciente
 Audacity funciona mejor con 64MB RAM por lo memos y un procesor 300 MHz

• EL FABRICANTE SE RESERVAL EL DERECHO DE CAMBIAR LA CONCEPCIÓN Y LAS ESPECIFICACIONES SIN PREAVISIO.



1220 East Oak Street • Louisville, Kentucky 40204
 www.crosle radio.com

Bienvenido

Gracias por adquirir el tocadiscos portátil (CR6016A) de Crosley. Antes de operar esta unidad, lea atentamente este manual y consérvelo para el futuro.

Acerca de este manual

Las instrucciones de este manual describen la función de los controles del CR6016A.

Este paquete incluye:

- Tocabiscos portátil
- Software de grabación de discos
- Cable USB
- Cable auxiliar
- Adaptador de 45 rpm
- Adaptador de CA

Índice

Inicio

Localizadores de control.....	4
Desembalaje.....	5
Fuente de alimentación.....	5

Funcionamiento

Funcionamiento del tocadiscos.....	6
USB/Grabación.....	6
Entrada auxiliar.....	6

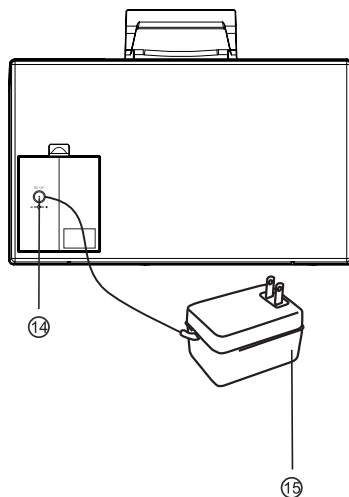
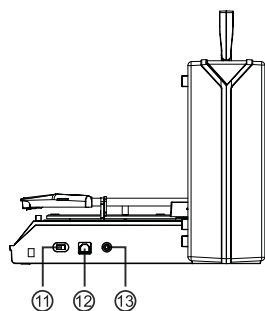
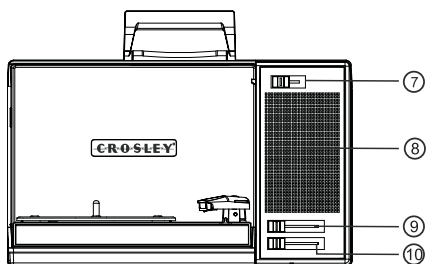
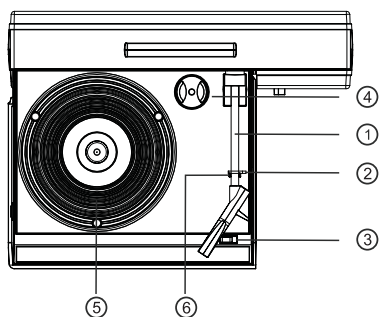
General

Guía de solución de problemas.....	7
Garantía.....	8

Localizadores de control

Controles de la unidad

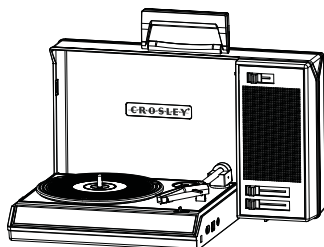
1. Brazo del tocadiscos
2. Broche de sujeción
3. Interruptor de control de velocidad
4. Adaptador de 45 rpm
5. Tocabancos
6. Soporte del brazo del tocadiscos
7. Traba del tocadiscos
8. Parlante
9. Control de volumen
10. Control de tono
11. Interruptor de función de audio/Entrada auxiliar
12. Conector USB
13. Conector de la entrada auxiliar
14. Conector de CC
15. Adaptador de CA



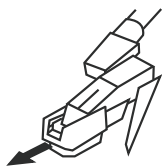
Inicio

Desembalaje

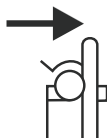
- 1 Retire los materiales de embalaje de la unidad.
Nota: Conserve todos los materiales de embalaje.
- 2 Quite el ADAPTADOR DE CA (15) de la parte posterior de la unidad.
- 3 Quite la atadura del ADAPTADOR DE CA (15).
- 4 Coloque la unidad sobre su extremo, deslice la TRABA DEL TOCADISCOS (7) hacia la derecha para que se abra.



- 5 Quite la banda de sujeción negra ubicada debajo del BRAZO DEL TOCADISCOS (1).
- 6 Quite la cubierta blanca que protege la aguja tirando suavemente hacia el frente de la unidad.



- 7 Suelte el BROCHE DE SUJECIÓN del brazo del tocadiscos (2) presionando suavemente hacia la derecha. Esto destrabará el BRAZO DEL TOCADISCOS (1) del soporte del brazo. Trabe nuevamente el BROCHE DE SUJECIÓN (2) cuando mueva la unidad a otro lugar.



Fuente de alimentación

- 1 Desate el cable del ADAPTADOR DE CA (15).
- 2 Enchufe el ADAPTADOR DE CA (15) en la salida de la pared adecuada.
- 3 Enchufe el extremo pequeño del adaptador en el CONECTOR DE CC (14) ubicado en la parte posterior de la unidad.

Funcionamiento

Funcionamiento del tocadiscos

- 1 Fije el INTERRUPTOR DE CONTROL DE VELOCIDAD (3) a la velocidad correcta (33 $\frac{1}{3}$, 45 o 78 rpm).
- 2 Coloque el disco en el tocadiscos.
- 3 Mueva el BRAZO DEL TOCADISCOS (1) al punto inicial deseado en el disco. El disco comenzará la reproducción.
- 4 Gire el CONTROL DE VOLUMEN (9) para ajustar el volumen al nivel deseado.
- 5 Deslice el CONTROL DE TONO (10) para ajustar el nivel del tono.
- 6 Cuando termine el disco, el BRAZO DEL TOCADISCOS (1) se detendrá automáticamente. Debe regresar el BRAZO DEL TOCADISCOS (1) al SOPORTE DEL BRAZO DEL TOCADISCOS (6) manualmente.

Operación del puerto USB

Mediante el cable y el software incluidos, la conexión USB le permite grabar discos en su computadora. Para usar el puerto USB, siga estas instrucciones.

- 1 Inserte el CD de software adjunto en su computadora.
- 2 Siga las instrucciones que aparecen en la pantalla de la computadora para instalar el software. Si el CD no se carga automáticamente, examine el CD y ejecute el archivo ejecutable llamado "CR_USB.exe."
- 3 Conecte el extremo cuadrado del cable USB en el CONECTOR USB (12) del lado derecho del tocadiscos.
- 4 Conecte el otro extremo a un puerto USB en su computadora.
- 5 Desde su computadora, abra el software de grabación de discos.
- 6 Para obtener instrucciones sobre el funcionamiento del software de grabación de discos, examine el CD y abra la carpeta Manuals.

Accesorio: ADAPTADOR DE 45RPM

Este adaptador le permite reproducir discos a 45 rpm.



- 1 Coloque el ADAPTADOR DE 45 RPM (4) sobre el eje.
- 2 Coloque suavemente el disco de 45 rpm en el tocadiscos.
- 3 Siga los pasos indicados en la sección de funcionamiento del tocadiscos para reproducir el disco.

Entrada auxiliar

- 1 Puede conectar componentes externos a su unidad mediante la entrada auxiliar.
- 2 Enchufe el cable auxiliar en el CONECTOR DE ENTRADA AUXILIAR (13) ubicado del lado derecho del tocadiscos.
- 3 Enchufe el otro extremo del cable auxiliar en el conector de salida en el componente externo deseado.
- 4 Controle el nivel del volumen del componente externo.
- 5 Consulte el manual del operador para conocer el funcionamiento correcto del componente externo.

General

Solución de problemas

Esta unidad no funciona

- 1 El cable de alimentación de CA no está conectado. Asegúrese de que esté conectado a una salida de CA en la parte posterior de la unidad.

Tocadiscos

La unidad no emite sonido

- 1 No se quitó la cubierta blanca que protege la aguja.
- 2 No está subido el volumen.

El brazo del tocadiscos no se mueve

- 1 No se quitó la banda de sujeción negra ubicada debajo del brazo del tocadiscos.
- 2 No se quitó el broche de sujeción del brazo del tocadiscos.

GARANTÍA LIMITADA DEL FABRICANTE

Crosley Radio, Inc. garantiza que este producto está libre de defectos de materiales y mano de obra en condiciones normales de uso por un período de un año desde la fecha original de compra. Esta garantía no es transferible. Si se determina que el producto está defectuoso durante el período de garantía, la unidad será reparada o reemplazada a exclusivo criterio de Crosley Radio. Esta garantía cubre defectos de fabricación y los producidos por el uso normal del consumidor y NO cubre daños ni fallas resultantes de abuso, accidente, alteraciones, uso incorrecto, descuido, uso anormal y rotura, mantenimiento inadecuado, uso comercial o poco razonable, daño causado por aumentos de tensión, mal manejo, accidentes, eventos de fuerza mayor o intentos de reparación por parte de un agente de servicio no autorizado. Tampoco están cubiertos los daños superficiales, los cables ni las antenas.

En caso de que este producto no funcione de manera satisfactoria, se recomienda comunicarse primero con nuestro equipo de soporte técnico a fin de que lo asistan para asegurarse de que la unidad funcione correctamente..

Soporte técnico y preguntas sobre el producto

LLAME SIN CARGO AL: 1-888-CROSLEY
(1-888-276-7539)

Si realmente se determina que la unidad ya no puede operarse, comuníquese con el minorista que le vendió el producto. En muchos casos, el minorista podrá ofrecer una unidad de reemplazo sin cargo dentro del alcance de su política de devolución. Si la fecha de devolución del minorista expira, comuníquese directamente con Crosley Radio para participar en el programa de protección de un año.

Programa de garantía de 1 año de Crosley

LLAME SIN CARGO AL: 1-800-926-7801

Deberá comunicarse con nuestras oficinas de lunes a viernes de 8 a. m. a 5 p. m. Hora del Este para obtener un número de autorización de devolución (Return Authorization, RA). Recibirá instrucciones para enviar la unidad (a su cargo) a nuestras oficinas en su embalaje original (o sustituto razonable para evitar que se dañe). Deberá marcar claramente su número de RA en la parte exterior del embalaje e incluir el recibo de venta original (o una copia) que indique la fecha de compra, el monto pagado y el lugar de compra. También deberá incluir su nombre completo, dirección de envío y número de contacto durante el día. Se le solicitará que incluya un cheque o giro postal por cualquier tarifa de gestión y reenvío aplicable. Un asesor de Crosley confirmará las tarifas asociadas con el peso y el tamaño de envío del producto. Los productos devueltos no se enviarán a apartados de correo. Crosley Radio no será responsable por las demoras ni los reclamos sin procesar resultantes de la falla del comprador para proporcionar, en todo o en parte, la información necesaria.

No se ofrecen garantías expresas con excepción de las que se indican anteriormente. El recibo de compra del comprador es la única prueba de derecho de garantía.

Esta garantía otorga al comprador derechos legales específicos, además de cualquier derecho que pueda variar de un estado a otro.

De acuerdo con la "Moss-Magnuson Warranty Act" de 10 de julio de 1975, esto se denomina "garantía limitada" que no compromete de manera alguna los altos estándares de calidad y mano de obra de Crosley Radio.