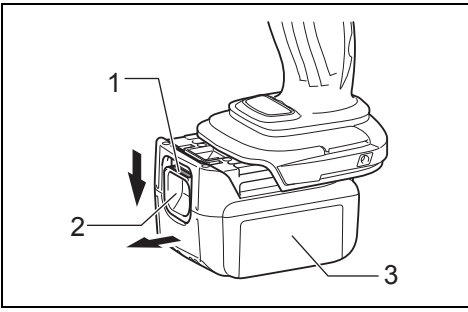




<b>GB</b>	<b>Cordless Impact Driver</b>	<b>Instruction Manual</b>
<b>F</b>	<b>Tournevis à Chocs sans Fil</b>	<b>Manuel d'instructions</b>
<b>D</b>	<b>Akku-Schlagschrauber</b>	<b>Betriebsanleitung</b>
<b>I</b>	<b>Avvitatore ad impulso a batteria</b>	<b>Istruzioni per l'uso</b>
<b>NL</b>	<b>Accu-slagschroevendraaier</b>	<b>Gebruiksaanwijzing</b>
<b>E</b>	<b>Atornillador de Impacto Inalámbrico</b>	<b>Manual de instrucciones</b>
<b>P</b>	<b>Parafusadeira de Impacto a Bateria</b>	<b>Manual de instruções</b>
<b>DK</b>	<b>Akku slagskruetrækker</b>	<b>Brugsanvisning</b>
<b>GR</b>	<b>Ασύρματο κρουστικό βιδοτρίπανο</b>	<b>Οδηγίες χρήσεως</b>

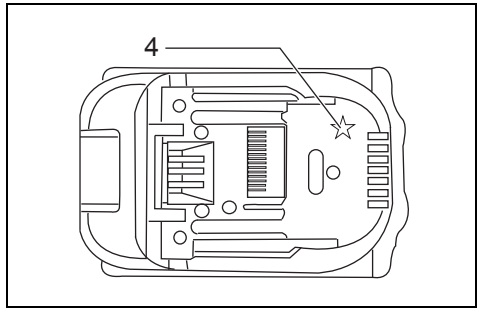
**DTD134**  
**DTD146**





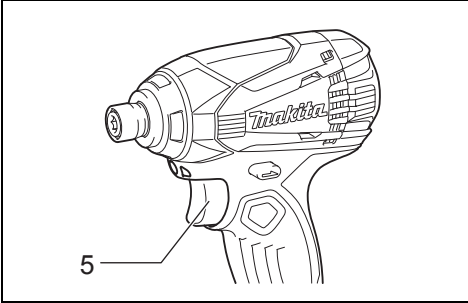
1

012012



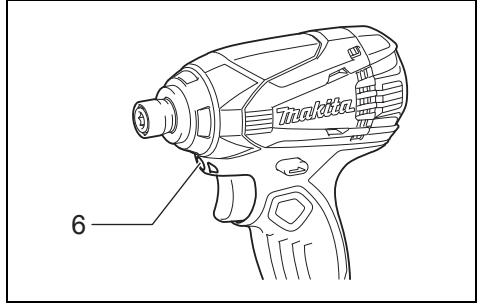
2

011389



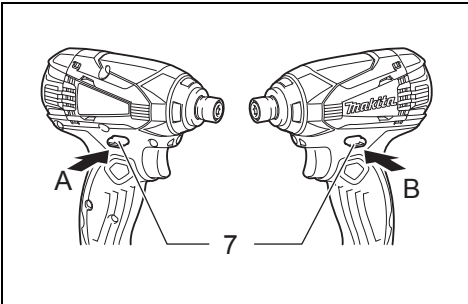
3

012015



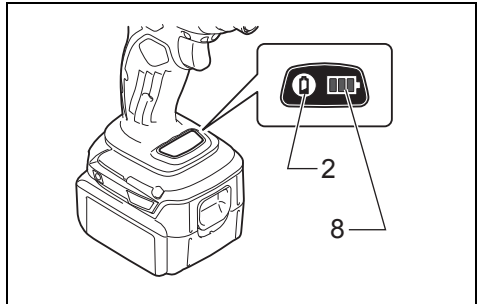
4

012016



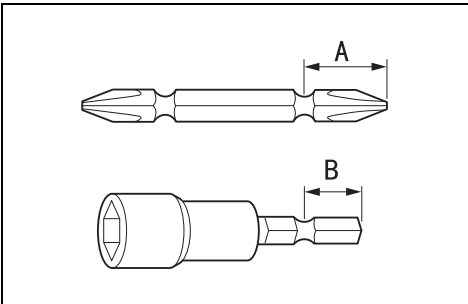
5

012017



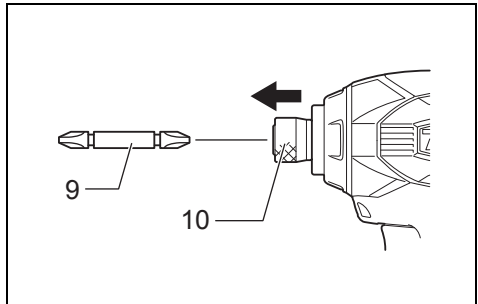
6

012021



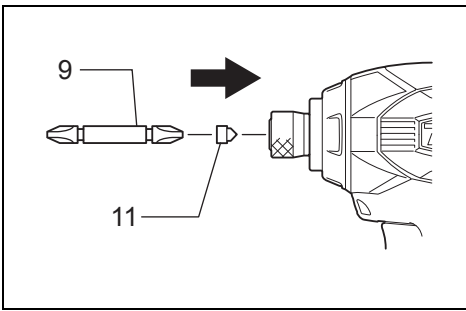
7

004521

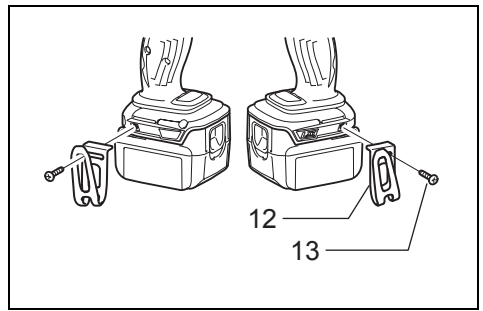


8

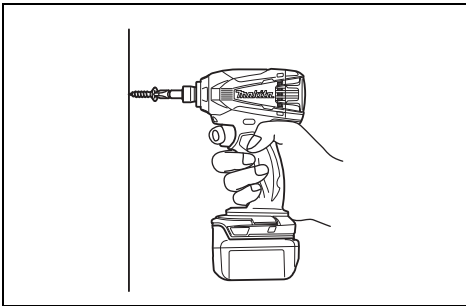
012063



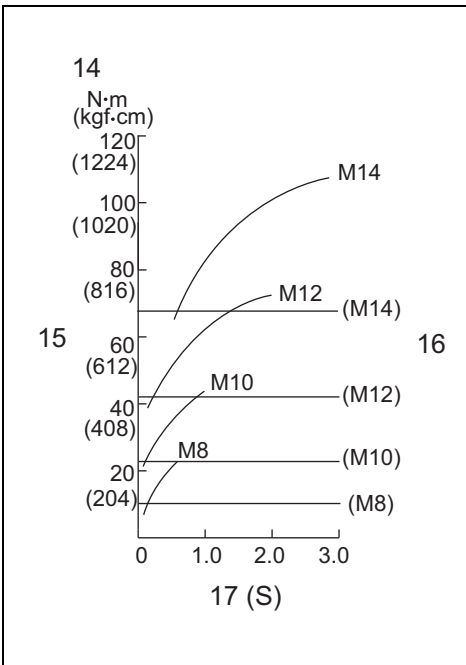
**9** 012013



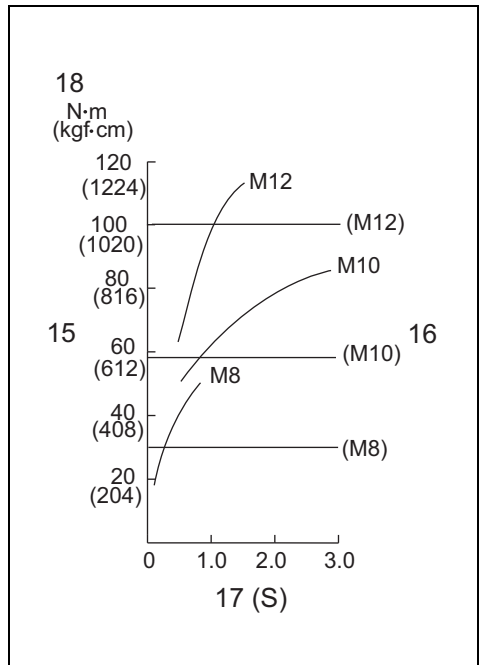
**10** 012014



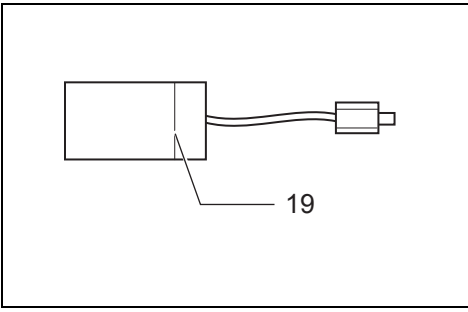
**11** 012050



**12** 006255

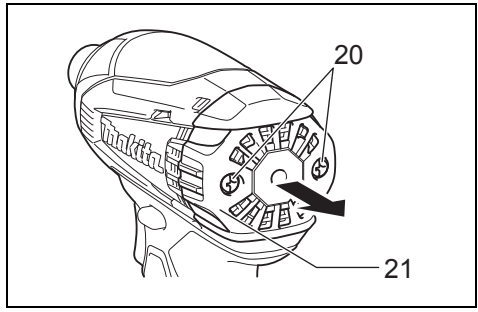


**13** 006257



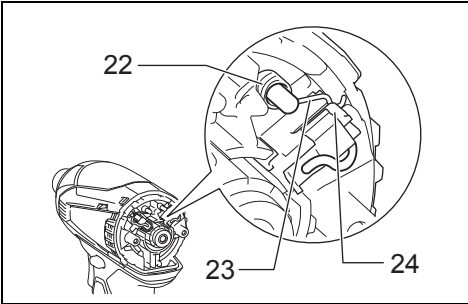
14

006258



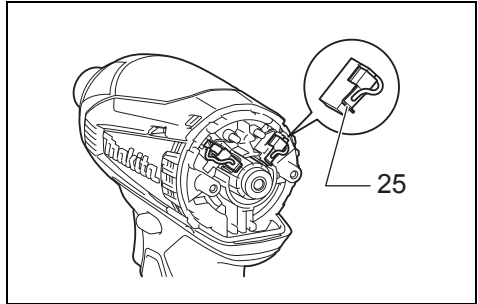
15

012018



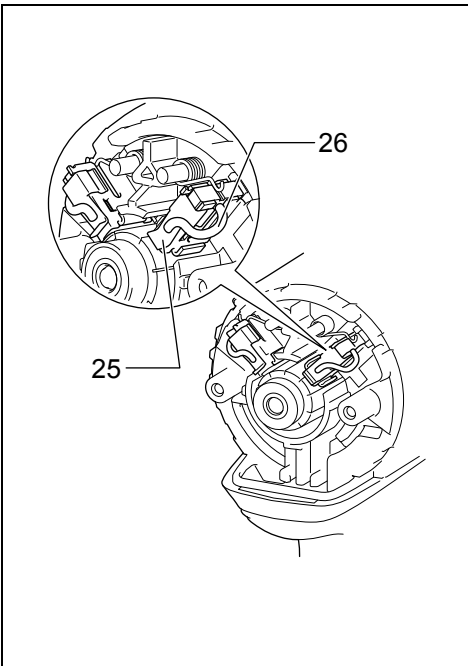
16

012019



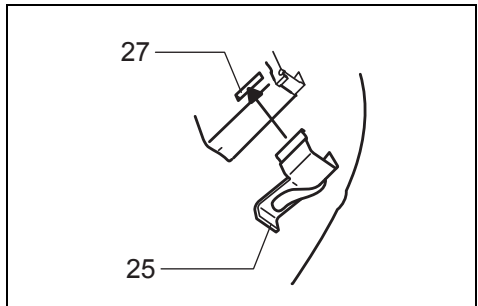
17

012020



18

013950



19

006304

**Explanation of general view**

1 Red indicator	10 Sleeve	19 Limit mark
2 Button	11 Bit-piece	20 Screws
3 Battery cartridge	12 Hook	21 Rear cover
4 Star mark	13 Screw	22 Spring
5 Switch trigger	14 Standard bolt	23 Arm
6 Lamp	15 Fastening torque	24 Recessed part
7 Reversing switch lever	16 Proper fastening torque	25 Carbon brush cap
8 LED indicator	17 Fastening time	26 Lead wire
9 Bit	18 High tensile bolt	27 Hole

**SPECIFICATIONS**

Model		DTD134	DTD146
Capacities	Machine screw	4 mm – 8 mm	
	Standard bolt	5 mm – 14 mm	
	High tensile bolt	5 mm – 12 mm	
No load speed (min <sup>-1</sup> )		0 – 2,400	0 – 2,300
Impacts per minute		0 – 3,200	
Overall length		138 mm	
Net weight		1.2 kg (with battery BL1415) 1.4 kg (with battery BL1430/BL1440)	1.3 kg (with battery BL1815/BL1815N) 1.5 kg (with battery BL1830/BL1840)
Rated voltage		D.C. 14.4 V	D.C. 18 V

- Due to our continuing programme of research and development, the specifications herein are subject to change without notice.
- Specifications and battery cartridge may differ from country to country.
- Weight, with battery cartridge, according to EPTA-Procedure 01/2003

ENE033-1

**Intended use**

The tool is intended for screw driving in wood, metal and plastic.

GEA010-1

**General Power Tool Safety Warnings**

**⚠ WARNING** Read all safety warnings and all instructions. Failure to follow the warnings and instructions may result in electric shock, fire and/or serious injury.

Save all warnings and instructions for future reference.

GEB054-1

**CORDLESS IMPACT DRIVER SAFETY WARNINGS**

1. **Hold power tool by insulated gripping surfaces, when performing an operation where the fastener may contact hidden wiring.** Fasteners contacting a "live" wire may make exposed metal parts of the power tool "live" and could give the operator an electric shock.
2. **Always be sure you have a firm footing.** Be sure no one is below when using the tool in high locations.

3. **Hold the tool firmly.**
4. **Wear ear protectors.**

**SAVE THESE INSTRUCTIONS.**

**⚠ WARNING:**

**DO NOT** let comfort or familiarity with product (gained from repeated use) replace strict adherence to safety rules for the subject product.

**MISUSE** or failure to follow the safety rules stated in this instruction manual may cause serious personal injury.

ENC007-7

**IMPORTANT SAFETY INSTRUCTIONS**

**FOR BATTERY CARTRIDGE**

1. **Before using battery cartridge, read all instructions and cautionary markings on (1) battery charger, (2) battery, and (3) product using battery.**
2. **Do not disassemble battery cartridge.**
3. **If operating time has become excessively shorter, stop operating immediately.** It may result in a risk of overheating, possible burns and even an explosion.
4. **If electrolyte gets into your eyes, rinse them out with clear water and seek medical attention right away.** It may result in loss of your eyesight.

5. **Do not short the battery cartridge:**
  - (1) **Do not touch the terminals with any conductive material.**
  - (2) **Avoid storing battery cartridge in a container with other metal objects such as nails, coins, etc.**
  - (3) **Do not expose battery cartridge to water or rain.**  
A battery short can cause a large current flow, overheating, possible burns and even a breakdown.
6. **Do not store the tool and battery cartridge in locations where the temperature may reach or exceed 50°C (122°F).**
7. **Do not incinerate the battery cartridge even if it is severely damaged or is completely worn out. The battery cartridge can explode in a fire.**
8. **Be careful not to drop or strike battery.**
9. **Do not use a damaged battery.**

## SAVE THESE INSTRUCTIONS.

### Tips for maintaining maximum battery life

1. **Charge the battery cartridge before completely discharged.**  
Always stop tool operation and charge the battery cartridge when you notice less tool power.
2. **Never recharge a fully charged battery cartridge. Overcharging shortens the battery service life.**
3. **Charge the battery cartridge with room temperature at 10°C – 40°C (50°F – 104°F). Let a hot battery cartridge cool down before charging it.**
4. **Charge the battery cartridge once in every six months if you do not use it for a long period of time.**

## FUNCTIONAL DESCRIPTION

### ⚠ CAUTION:

- Always be sure that the tool is switched off and the battery cartridge is removed before adjusting or checking function on the tool.

### Installing or removing battery cartridge (Fig. 1)

- Always switch off the tool before installing or removing of the battery cartridge.
- To remove the battery cartridge, slide it from the tool while sliding the button on the front of the cartridge.
- To install the battery cartridge, align the tongue on the battery cartridge with the groove in the housing and slip it into place. Always insert it all the way until it locks in place with a little click. If you can see the red indicator on the upper side of the button, it is not locked completely. Install it fully until the red indicator cannot be seen. If not, it may accidentally fall out of the tool, causing injury to you or someone around you.

Do not use force when installing the battery cartridge. If the cartridge does not slide in easily, it is not being inserted correctly.

### Battery protection system (Battery cartridge with a star mark) (Fig. 2)

The battery cartridge with a star mark is equipped with the protection system, which automatically cuts off the output power for its long service life.

The tool stops during operation when the tool and/or battery are placed under the following situation. This is caused by the activation of protection system and does not show the tool trouble.

- When the tool is overloaded:  
At this time, release the switch trigger, remove the battery cartridge and remove causes of overload and then pull the switch trigger again to restart.
- When battery cells get hot:  
If any operation of the switch trigger, the motor will remain stopped.  
At this time, stop use of the tool and cool or charge the battery cartridge after removing it from the tool.
- When the remaining battery capacity gets low:  
If any operation of the switch trigger, the motor will remain stopped.  
At this time, remove the battery cartridge from the tool and charge it.

### Switch action (Fig. 3)

#### ⚠ CAUTION:

- Before installing the battery cartridge into the tool, always check to see that the switch trigger actuates properly and returns to the "OFF" position when released.

To start the tool, simply pull the switch trigger. Tool speed is increased by increasing pressure on the switch trigger. Release the switch trigger to stop.

### Lighting up the front lamp (Fig. 4)

#### ⚠ CAUTION:

- Do not look in the light or see the source of light directly.

Pull the switch trigger to light up the lamp. The lamp keeps on lighting while the switch trigger is being pulled. The light automatically goes out 10 – 15 seconds after the switch trigger is released.

#### NOTE:

- Use a dry cloth to wipe the dirt off the lens of lamp. Be careful not to scratch the lens of lamp, or it may lower the illumination.

### Reversing switch action (Fig. 5)

This tool has a reversing switch to change the direction of rotation. Depress the reversing switch lever from the A side for clockwise rotation or from the B side for counter-clockwise rotation.

When the reversing switch lever is in the neutral position, the switch trigger cannot be pulled.




#### ⚠ CAUTION:

- Always check the direction of rotation before operation.
- Use the reversing switch only after the tool comes to a complete stop. Changing the direction of rotation before the tool stops may damage the tool.
- When not operating the tool, always set the reversing switch lever to the neutral position.

### Empty signal for remaining battery capacity (Fig. 6)

Stop the tool and with the tool stopped press the button on the switch panel and the remaining battery capacity will be signaled on the panel.

The status displayed on the switch panel and the remaining battery capacity is shown in the following table.

LED indicator status	Remaining battery capacity
	About 50% or more
	About 20% - 50%
	About less than 20%

#### NOTE:

- Before checking the remaining battery capacity, be sure to stop the tool.

### ASSEMBLY

#### ⚠ CAUTION:

- Always be sure that the tool is switched off and the battery cartridge is removed before carrying out any work on the tool.

#### Installing or removing driver bit or socket bit

Use only bits that has inserting portion shown in the figure. (Fig. 7)

##### For tool with shallow bit hole

A = 12 mm B = 9 mm	Use only these type of bit. Follow the procedure (1). (Note) Bit-piece is not necessary.
-----------------------	---

##### For tool with deep bit hole

A = 17 mm B = 14 mm	To install these types of bits, follow the procedure (1).
A = 12 mm B = 9 mm	To install these types of bits, follow the procedure (2). (Note) Bit-piece is necessary for installing the bit.

1. To install the bit, pull the sleeve and insert the bit into the sleeve as far as it will go. (Fig. 8)
2. To install the bit, insert the bit-piece and bit into the sleeve as far as it will go. The bit-piece should be inserted into the sleeve with its pointed end facing in. Then release the sleeve to secure the bit. (Fig. 9)

To remove the bit, pull the sleeve and pull the bit out.

#### NOTE:

- For all countries other than Europe, it's not necessary to pull the sleeve when installing the bit.
- If the bit is not inserted deep enough into the sleeve, the sleeve will not return to its original position and the bit will not be secured. In this case, try re-inserting the bit according to the instructions above.
- When it is difficult to insert the bit, pull the sleeve and insert it into the sleeve as far as it will go.
- After inserting the bit, make sure that it is firmly secured. If it comes out, do not use it.

### Hook (Fig. 10)

The hook is convenient for temporarily hanging the tool. This can be installed on either side of the tool.

To install the hook, insert it into a groove in the tool housing on either side and then secure it with a screw. To remove, loosen the screw and then take it out.

### OPERATION

The proper fastening torque may differ depending upon the kind or size of the screw/bolt, the material of the workpiece to be fastened, etc. The relation between fastening torque and fastening time is shown in the figures. (Fig. 11, 12 & 13)

Hold the tool firmly and place the point of the driver bit in the screw head. Apply forward pressure to the tool to the extent that the bit will not slip off the screw and turn the tool on to start operation.

#### NOTE:

- Use the proper bit for the head of the screw/bolt that you wish to use.
- When fastening screw M8 or smaller, carefully adjust pressure on the switch trigger so that the screw is not damaged.
- Hold the tool pointed straight at the screw.
- If you tighten the screw for a time longer than shown in the figures, the screw or the point of the driver bit may be overstressed, stripped, damaged, etc. Before starting your job, always perform a test operation to determine the proper fastening time for your screw.
- If you use a spare battery to continue the operation, rest the tool at least 15 min.

The fastening torque is affected by a wide variety of factors including the following. After fastening, always check the torque with a torque wrench.

1. When the battery cartridge is discharged almost completely, voltage will drop and the fastening torque will be reduced.
2. Driver bit or socket bit  
Failure to use the correct size driver bit or socket bit will cause a reduction in the fastening torque.
3. Bolt
  - Even though the torque coefficient and the class of bolt are the same, the proper fastening torque will differ according to the diameter of bolt.
  - Even though the diameters of bolts are the same, the proper fastening torque will differ according to the torque coefficient, the class of bolt and the bolt length.
4. The manner of holding the tool or the material of driving position to be fastened will affect the torque.
5. Operating the tool at low speed will cause a reduction in the fastening torque.

### MAINTENANCE

#### ⚠ CAUTION:

- Always be sure that the tool is switched off and the battery cartridge is removed before attempting to perform inspection or maintenance.
- Never use gasoline, benzine, thinner, alcohol or the like. Discoloration, deformation or cracks may result.

## Replacing carbon brushes

Replace when they wear down to the limit mark. Keep the carbon brushes clean and free to slip in the holders. Both carbon brushes should be replaced at the same time. Use only identical carbon brushes. (Fig. 14)

Use a screwdriver to remove two screws then remove the rear cover. (Fig. 15)

Raise the arm part of the spring and then place it in the recessed part of the housing with a slotted bit screwdriver of slender shaft or the like. (Fig. 16)

Use pliers to remove the carbon brush caps of the carbon brushes. Take out the worn carbon brushes, insert the new ones and replace the carbon brush cap in reverse. (Fig. 17)

Make sure to place the lead wire in opposite side of the arm. (Fig. 18)

Make sure that the carbon brush caps fit into the holes in brush holders securely. (Fig. 19)

Reinstall the rear cover and tighten two screws securely.

To maintain product SAFETY and RELIABILITY, repairs, any other maintenance or adjustment should be performed by Makita Authorized Service Centers, always using Makita replacement parts.

## OPTIONAL ACCESSORIES

### ⚠ CAUTION:

- These accessories or attachments are recommended for use with your Makita tool specified in this manual. The use of any other accessories or attachments might present a risk of injury to persons. Only use accessory or attachment for its stated purpose.

If you need any assistance for more details regarding these accessories, ask your local Makita Service Center.

- Screw bits
- Hook
- Plastic carrying case
- Various type of Makita genuine batteries and chargers
- Battery protector

### NOTE:

- Some items in the list may be included in the tool package as standard accessories. They may differ from country to country.

ENG905-1

## Noise

The typical A-weighted noise level determined according to EN60745:

### Model DTD134

Sound pressure level ( $L_{pA}$ ): 92 dB (A)

Sound power level ( $L_{WA}$ ): 103 dB (A)

Uncertainty (K): 3 dB (A)

### Model DTD146

Sound pressure level ( $L_{pA}$ ): 93 dB (A)

Sound power level ( $L_{WA}$ ): 104 dB (A)

Uncertainty (K): 3 dB (A)

### Wear ear protection

## Vibration

The vibration total value (tri-axial vector sum) determined according to EN60745:

### Model DTD134

Work mode: impact tightening of fasteners of the maximum capacity of the tool

Vibration emission ( $a_{h1}$ ): 12.0 m/s<sup>2</sup>

Uncertainty (K): 1.5 m/s<sup>2</sup>

### Model DTD146

Work mode: impact tightening of fasteners of the maximum capacity of the tool

Vibration emission ( $a_{h1}$ ): 15.5 m/s<sup>2</sup>

Uncertainty (K): 2.0 m/s<sup>2</sup>

ENG901-1

- The declared vibration emission value has been measured in accordance with the standard test method and may be used for comparing one tool with another.
- The declared vibration emission value may also be used in a preliminary assessment of exposure.

### ⚠ WARNING:

- The vibration emission during actual use of the power tool can differ from the declared emission value depending on the ways in which the tool is used.
- Be sure to identify safety measures to protect the operator that are based on an estimation of exposure in the actual conditions of use (taking account of all parts of the operating cycle such as the times when the tool is switched off and when it is running idle in addition to the trigger time).

ENH101-15

## For European countries only

### EC Declaration of Conformity

We Makita Corporation as the responsible manufacturer declare that the following Makita machine(s):

Designation of Machine: Cordless Impact Driver

Model No./ Type: DTD134, DTD146

are of series production and

Conforms to the following European Directives:  
2006/42/EC

And are manufactured in accordance with the following standards or standardised documents:

EN60745

The technical documentation is kept by our authorized representative in Europe who is:

Makita International Europe Ltd.

Michigan Drive, Tongwell,

Milton Keynes, Bucks MK15 8JD, England

24.1.2011



Tomoyasu Kato  
Director

Makita Corporation  
3-11-8, Sumiyoshi-cho,  
Anjo, Aichi, 446-8502, JAPAN



**Descriptif**

1	Témoins rouge	10	Manchon	19	Repère d'usure
2	Bouton	11	Porte-embout	20	Vis
3	Batterie	12	Crochet	21	Couvercle arrière
4	Marque d'étoile	13	Vis	22	Ressort
5	Gâchette	14	Boulon standard	23	Bras
6	Lampe	15	Couple de serrage	24	Partie encastrée
7	Levier inverseur	16	Couple de serrage correct	25	Bouchon de porte-charbon
8	Témoins DEL	17	Temps de serrage	26	Fil conducteur
9	Embout	18	Boulon à haute résistance	27	Orifice

**SPÉCIFICATIONS**

Modèle		DTD134	DTD146
Capacités	Vis à machine	4 mm – 8 mm	
	Boulon standard	5 mm – 14 mm	
	Boulon à haute résistance	5 mm – 12 mm	
Vitesse à vide (min <sup>-1</sup> )		0 – 2 400	0 – 2 300
Coups par minute		0 – 3 200	
Longueur totale		138 mm	
Poids net		1,2 kg (avec la batterie BL1415)	1,3 kg (avec la batterie BL1815/BL1815N)
		1,4 kg (avec la batterie BL1430/BL1440)	1,5 kg (avec la batterie BL1830/BL1840)
Tension nominale		14,4 V CC	18 V CC

- Étant donné l'évolution constante de notre programme de recherche et de développement, les spécifications contenues dans ce manuel sont sujettes à modification sans préavis.
- Les spécifications et la batterie peuvent être différentes suivant les pays.
- Poids, avec la batterie, conformément à la procédure EPTA-01/2003

ENE033-1

**Utilisations**

L'outil est conçu pour le vissage dans le bois, le métal et le plastique.

GEA010-1

**Consignes de sécurité générales pour outils électriques**

**⚠ MISE EN GARDE** Veuillez lire toutes les mises en garde et toutes les instructions. Il y a risque de choc électrique, d'incendie et/ou de blessure grave si les mises en garde et les instructions ne sont pas respectées.

**Conservez toutes les mises en garde et instructions pour référence ultérieure.**

GEB054-1

**CONSIGNES DE SÉCURITÉ POUR TOURNEVIS À CHOCS SANS FIL**

1. Saisissez l'outil électrique par ses surfaces de poigne isolées lorsque vous effectuez une opération au cours de laquelle la visseuse peut entrer en contact avec des fils cachés. Le contact avec un fil sous tension mettra les parties métalli-

ques exposées de la visseuse sous tension, causant ainsi un choc électrique chez l'utilisateur.

2. **Ayez toujours une assise ferme sous vos pieds. Veillez à ce que personne ne se trouve en-dessous de vous quand vous utilisez l'outil en hauteur.**
3. **Tenez votre outil fermement.**
4. **Portez un casque anti-bruit.**

**CONSERVEZ CES INSTRUCTIONS.**

**⚠ AVERTISSEMENT :**

**NE vous laissez PAS tromper (au fil d'une utilisation répétée) par un sentiment d'aisance et de familiarité avec le produit, en négligeant le respect rigoureux des consignes de sécurité qui accompagnent le produit en question.**

**La MAUVAISE UTILISATION de l'outil ou l'ignorance des consignes de sécurité indiquées dans ce manuel d'instructions peut entraîner une blessure grave.**

ENC007-7

**PRÉCAUTIONS IMPORTANTES**

**POUR LA BATTERIE**

1. Avant d'utiliser la batterie, lisez toutes les instructions et précautions relatives (1) au chargeur de batterie, (2) à la batterie, et (3) à l'outil utilisant la batterie.
2. **Ne démontez pas la batterie.**
3. **Cessez immédiatement l'utilisation si le temps de fonctionnement devient excessivement court. Il y a risque de surchauffe, de brûlures, voire d'explosion.**
4. **Si l'électrolyte pénètre dans vos yeux, rincez-les à l'eau claire et consultez immédiatement un médecin. Il y a risque de perte de la vue.**

5. **Ne court-circuitez pas la batterie :**
  - (1) **Ne touchez les bornes avec aucun matériau conducteur.**
  - (2) **Évitez de ranger la batterie dans un conteneur avec d'autres objets métalliques, par exemple des clous, des pièces de monnaie, etc.**
  - (3) **N'exposez pas la batterie à l'eau ou à la pluie. Un court-circuit de la batterie pourrait provoquer un fort courant, une surchauffe, parfois des brûlures et même une panne.**
6. **Ne rangez pas l'outil ou la batterie dans des endroits où la température risque d'atteindre ou de dépasser 50°C.**
7. **Ne jetez pas la batterie au feu même si elle est sérieusement endommagée ou complètement épuisée. La batterie peut exploser au contact du feu.**
8. **Prenez garde d'échapper ou de heurter la batterie.**
9. **N'utilisez pas la batterie si elle est abîmée.**

## CONSERVEZ CES INSTRUCTIONS.

### Conseils pour assurer la durée de vie optimale de la batterie

1. **Rechargez la batterie avant qu'elle ne soit complètement déchargée. Arrêtez toujours l'outil et rechargez la batterie quand vous remarquez que la puissance de l'outil diminue.**
2. **Ne rechargez jamais une batterie complètement chargée. La surcharge réduit la durée de service de la batterie.**
3. **Chargez la batterie alors que la température de la pièce se trouve entre 10°C et 40°C. Avant de charger une batterie chaude, laissez-la refroidir.**
4. **Chargez la batterie tous les six mois si elle reste inutilisée pendant une période prolongée.**

## DESCRIPTION DU FONCTIONNEMENT

### ⚠ ATTENTION :

- Assurez-vous toujours que l'outil est hors tension et que sa batterie est retirée avant de l'ajuster ou de vérifier son fonctionnement.

### Installation ou retrait de la batterie (Fig. 1)

- Mettez toujours l'outil hors tension avant d'installer ou de retirer la batterie.
- Pour retirer la batterie, faites-la glisser de l'outil tout en faisant glisser le bouton à l'avant de la batterie.
- Pour installer la batterie, alignez la languette de la batterie avec la rainure située dans le carter, puis faites-la glisser en place. Insérez-la toujours à fond, jusqu'à ce qu'un léger déclic se fasse entendre. Si le témoin rouge est visible sur la face supérieure du bouton, cela signifie que la batterie n'est pas parfaitement verrouillée. Installez-la à fond, jusqu'à ce que le témoin rouge ne soit plus visible. Sinon, elle pourrait tomber accidentellement de l'outil, au risque de vous blesser ou de blesser quelqu'un se trouvant près de vous.

N'appliquez pas une force excessive lors de l'installation de la batterie. Si la batterie ne glisse pas aisément, c'est qu'elle n'est pas insérée correctement.

## Dispositif de protection de la batterie (Batterie avec marque d'étoile) (Fig. 2)

Les batteries qui portent une marque d'étoile sont dotées d'un dispositif de protection qui coupe automatiquement la sortie de courant pour prolonger la durée de service de la batterie.

Si l'outil et/ou la batterie se trouvent dans une des situations suivantes, l'outil cessera de fonctionner. Cet arrêt étant provoqué par l'activation du dispositif de protection, il ne s'agit pas d'un dysfonctionnement de l'outil.

- Lorsque l'outil est surchargé :  
Il faut alors libérer la gâchette, retirer la batterie et annuler la cause de la surcharge, puis tirer de nouveau sur la gâchette pour faire redémarrer l'outil.
- Lorsque les éléments de la batterie chauffent :  
Le moteur ne démarrera pas même si vous activez la gâchette.  
Il faut alors cesser l'utilisation de l'outil, et ne faire refroidir ou recharger la batterie qu'après l'avoir retirée de l'outil.
- Lorsque la charge restante de la batterie est basse :  
Le moteur ne démarrera pas même si vous activez la gâchette.  
Il faut alors retirer la batterie de l'outil et la recharger.

## Interrupteur (Fig. 3)

### ⚠ ATTENTION :

- Avant d'installer la batterie dans l'outil, vérifiez toujours que la gâchette fonctionne bien et revient en position d'arrêt lorsque relâchée.

Pour mettre l'outil en marche, appuyez simplement sur la gâchette. La vitesse de l'outil augmente à mesure que l'on accroît la pression exercée sur la gâchette. Pour l'arrêter, relâchez la gâchette.

## Allumage de la lampe avant (Fig. 4)

### ⚠ ATTENTION :

- Évitez de regarder directement le faisceau lumineux ou sa source.

Appuyez sur la gâchette pour allumer la lampe. La lampe demeure allumée tant que la pression sur la gâchette est maintenue. Lorsque vous relâchez la gâchette, la lumière s'éteint au bout de 10 – 15 secondes.

### NOTE :

- Utilisez un chiffon sec pour essuyer la saleté qui recouvre la lentille de la lampe. Prenez garde de rayer la lentille de la lampe, pour éviter une diminution de l'éclairage.

## Inverseur (Fig. 5)

L'outil possède un inverseur qui permet de changer le sens de rotation. Enfoncez le levier inverseur du côté A pour une rotation dans le sens des aiguilles d'une montre, ou du côté B pour une rotation dans le sens inverse des aiguilles d'une montre.




La pression sur la gâchette n'est pas possible lorsque le levier inverseur se trouve en position neutre.

### ⚠ ATTENTION :

- Vérifiez toujours le sens de rotation avant de mettre l'outil en marche.
- N'actionnez l'inverseur qu'une fois que l'outil est complètement arrêté. Si vous changez le sens de rotation avant l'arrêt de l'outil, vous risquez de l'endommager.
- Lorsque vous n'utilisez pas l'outil, placez toujours le levier inverseur en position neutre.

### Signal de charge faible de la batterie (Fig. 6)

Arrêtez l'outil et, sans le remettre en marche, appuyez sur le bouton du tableau de commutateurs pour que la charge restante de la batterie soit indiquée sur le tableau. Le tableau suivant indique la charge restante de la batterie selon l'état indiqué sur le tableau de commutateurs.

État du témoin DEL	Charge restante de la batterie
	50% ou plus environ
	20% à 50% environ
	Moins de 20% environ

#### NOTE :

- Avant de vérifier la charge restante de la batterie, pensez à arrêter l'outil.

### ASSEMBLAGE

#### ⚠ ATTENTION :

- Assurez-vous toujours que l'outil est hors tension et que sa batterie est retirée avant d'effectuer tout travail dessus.

#### Installation ou retrait de l'embout ou l'embout à douille

Utilisez exclusivement les embouts dotés de la partie à insérer indiquée sur la figure. (Fig. 7)

##### Pour outil à orifice d'embout peu profond

A = 12 mm B = 9 mm	Utilisez exclusivement ce type d'embout. Suivez la procédure (1). (Note) Porte-embout non requis.
-----------------------	---

##### Pour outil à orifice d'embout profond

A = 17 mm B = 14 mm	Pour installer ces types d'embout, suivez la procédure (1).
A = 12 mm B = 9 mm	Pour installer ces types d'embout, suivez la procédure (2). (Note) Un porte-embout est requis pour installer l'embout.

- Pour poser l'embout, tirez sur le manchon et insérez l'embout à fond dans ce dernier. (Fig. 8)
- Pour poser l'embout, insérez le porte-embout et l'embout à fond dans le manchon. Le porte-embout doit être inséré dans le manchon avec sa pointe orientée vers l'intérieur du manchon. Libérez ensuite le manchon pour fixer l'embout. (Fig. 9)

Pour retirer l'embout, tirez sur le manchon et faites sortir l'embout.

#### NOTE :

- Pour tous les pays autres que ceux d'Europe, il n'est pas nécessaire de tirer sur le manchon pour poser l'embout.
- Si l'embout n'est pas inséré assez profondément dans le manchon, celui-ci ne revient pas à sa position d'origine et l'embout ne se trouve pas bien assuré. En ce cas, insérez à nouveau l'embout comme il est dit ci-dessus.
- S'il est difficile d'insérer l'embout, tirez le manchon et insérez-y l'embout à fond.
- Après avoir inséré l'embout, assurez-vous qu'il est fermement fixé. Ne l'utilisez pas s'il sort du manchon.

### Crochet (Fig. 10)

L'outil est équipé d'un crochet pratique qui permet de l'accrocher temporairement.

Ce crochet s'installe d'un côté comme de l'autre de l'outil. Pour installer le crochet, insérez-le dans une des rainures situées de chaque côté du carter de l'outil, puis serrez-le avec une vis. Pour l'enlever, desserrez la vis et retirez-le.

### UTILISATION

Le couple de serrage correct peut varier en fonction du type ou de la dimension de la vis/du boulon, du matériau de la pièce à fixer, etc. Le rapport entre le couple de serrage et le temps de serrage est donné à la figure. (Fig. 11, 12 et 13)

Tenez votre outil fermement et placez la panne de l'embout dans la tête de la vis. Appliquez à l'outil une pression vers l'avant suffisante pour que la panne ne glisse pas hors de la vis et mettez le contact.

#### NOTE :

- Utilisez l'embout qui convient à la tête de la vis/du boulon utilisé(e).
- Quand vous fixez des vis M8 ou plus petites, réglez délicatement la pression sur la gâchette de façon à ne pas endommager la vis.
- Tenez votre outil bien droit sur la vis.
- Si vous serrez la vis plus longtemps que le temps indiqué dans les figures, la vis ou la pointe de l'embout risque d'être soumise à une force trop grande et de foirer ou être endommagée, etc. Avant de commencer votre travail, effectuez toujours un test de fonctionnement pour connaître le temps de serrage approprié pour la vis utilisée.
- Si vous utilisez une batterie de rechange pour poursuivre votre travail, laissez d'abord reposer l'outil pendant au moins 15 minutes.

Le couple de serrage dépend d'un certain nombre de facteurs, comme suit. Une fois le serrage terminé, vérifiez toujours le couple avec une clé dynamométrique.

- Lorsque la batterie est presque complètement déchargée, la tension tombe et le couple de serrage diminue.
- Embout ou embout à douille  
L'utilisation d'un embout ou un embout à douille de mauvaise dimension entraînera une réduction du couple de serrage.
- Boulon
  - Même si le coefficient du couple et la catégorie du boulon sont les mêmes, le couple de serrage correct variera en fonction du diamètre de boulon.
  - Même si les diamètres des boulons sont les mêmes, le couple de serrage variera en fonction du coefficient de couple, de la catégorie du boulon et de la longueur du boulon.
- Le couple de serrage est affecté par la façon dont vous tenez l'outil ou la pièce, ou par la position de vissage.
- Le fonctionnement de l'outil à vitesse réduite entraîne une diminution du couple de serrage.

### ENTRETIEN

#### ⚠ ATTENTION :

- Assurez-vous toujours que l'outil est hors tension et que la batterie est retirée avant d'y effectuer tout travail d'inspection ou d'entretien.

- N'utilisez jamais d'essence, benzine, diluant, alcool ou autre produit similaire. Cela risquerait de provoquer la décoloration, la déformation ou la fissuration de l'outil.

### Remplacement des charbons

Remplacez-les lorsqu'ils sont usés jusqu'au trait de limite d'usure. Maintenez les charbons propres et en état de glisser aisément dans les porte-charbon. Les deux charbons doivent être remplacés en même temps. N'utilisez que des charbons identiques. **(Fig. 14)**

Utilisez un tournevis pour retirer les deux vis, puis retirez le couvercle arrière. **(Fig. 15)**

Soulevez le bras du ressort puis placez-le dans la partie encastrée du carter à l'aide d'un tournevis à tête fendue et à tige mince, ou d'un objet similaire. **(Fig. 16)**

Utilisez des pinces pour retirer les bouchons de porte-charbon. Enlevez les charbons usés, insérez les neufs et fixez le bouchon de porte-charbon. **(Fig. 17)**

Vous devez placer le fil conducteur du côté opposé au bras. **(Fig. 18)**

Assurez-vous que les bouchons de porte-charbon restent fermement en place dans les orifices de porte-charbon. **(Fig.19)**

Remettez en place le couvercle arrière et serrez fermement les deux vis.

Pour maintenir la SÉCURITÉ et la FIABILITÉ du produit, les réparations, travaux d'entretien et autres réglages doivent être effectués dans un centre de service Makita agréé, exclusivement avec des pièces de rechange Makita.

### ACCESSOIRES EN OPTION

#### ⚠ ATTENTION :

- Ces accessoires ou pièces complémentaires sont recommandés pour l'utilisation avec l'outil Makita spécifié dans ce mode d'emploi. L'utilisation de tout autre accessoire ou pièce complémentaire peut comporter un risque de blessure. N'utilisez les accessoires ou pièces qu'aux fins auxquelles ils ont été conçus.

Si vous désirez obtenir plus de détails concernant ces accessoires, veuillez contacter le centre de service après-vente Makita le plus près.

- Embouts de vis
- Crochet
- Étui de transport en plastique
- Les divers types de batteries et chargeurs Makita authentiques
- Protecteur de batterie

#### NOTE :

- Il se peut que certains éléments de la liste soient compris dans l'emballage de l'outil en tant qu'accessoires standard. Ils peuvent varier d'un pays à l'autre.

ENG905-1

### Bruit

Niveau de bruit pondéré A typique, déterminé selon EN60745 :

#### Modèle DTD134

Niveau de pression sonore ( $L_{pA}$ ) : 92 dB (A)  
Niveau de puissance sonore ( $L_{WA}$ ) : 103 dB (A)  
Incertitude (K) : 3 dB (A)

#### Modèle DTD146

Niveau de pression sonore ( $L_{pA}$ ) : 93 dB (A)  
Niveau de puissance sonore ( $L_{WA}$ ) : 104 dB (A)  
Incertitude (K) : 3 dB (A)

#### Porter des protecteurs anti-bruit

### Vibrations

Valeur totale de vibrations (somme de vecteur triaxial) déterminée selon EN60745 :

#### Modèle DTD134

Mode de travail : serrage avec impact de vis ne dépassant pas la capacité maximale de l'outil  
Émission de vibrations ( $a_{h1}$ ) : 12,0 m/s<sup>2</sup>  
Incertitude (K) : 1,5 m/s<sup>2</sup>

#### Modèle DTD146

Mode de travail : serrage avec impact de vis ne dépassant pas la capacité maximale de l'outil  
Émission de vibrations ( $a_{h1}$ ) : 15,5 m/s<sup>2</sup>  
Incertitude (K) : 2,0 m/s<sup>2</sup>

ENG901-1

- La valeur d'émission de vibrations déclarée a été mesurée conformément à la méthode de test standard et peut être utilisée pour comparer les outils entre eux.
- La valeur d'émission de vibrations déclarée peut aussi être utilisée pour l'évaluation préliminaire de l'exposition.

#### ⚠ AVERTISSEMENT :

- L'émission de vibrations lors de l'usage réel de l'outil électrique peut être différente de la valeur d'émission déclarée, suivant la façon dont l'outil est utilisé.
- Les mesures de sécurité à prendre pour protéger l'utilisateur doivent être basées sur une estimation de l'exposition dans des conditions réelles d'utilisation (en tenant compte de toutes les composantes du cycle d'utilisation, comme par exemple le moment de sa mise hors tension, lorsqu'il tourne à vide et le moment de son déclenchement).

ENH101-15

### Pour les pays d'Europe uniquement

#### Déclaration de conformité CE

**Makita Corporation, en tant que fabricant responsable, déclare que la ou les machines suivantes :**

Désignation de la machine : Tournevis à Chocs sans Fil  
N° de modèle / Type : DTD134, DTD146  
sont produites en série et  
**sont conformes aux Directives européennes suivantes :**

2006/42/CE

et qu'elles sont fabriquées conformément aux normes ou documents normalisés suivants :

EN60745

La documentation technique est conservée par notre représentant agréé en Europe, à savoir :

Makita International Europe Ltd.  
Michigan Drive, Tongwell,  
Milton Keynes, Bucks MK15 8JD, Angleterre

24.1.2011



Tomoyasu Kato  
Directeur

Makita Corporation  
3-11-8, Sumiyoshi-cho,  
Anjo, Aichi, 446-8502, JAPAN

**Übersicht**

1 Rote Anzeige	10 Werkzeugaufnahme	19 Verschleißgrenze
2 Knopf	11 Einsatzhalter	20 Schrauben
3 Akku	12 Haken	21 Rückabdeckung
4 Sternsymbol	13 Schraube	22 Feder
5 Ein-Aus-Schalter	14 Standardschraube	23 Arm
6 Lampe	15 Anzugsmoment	24 Vertiefung
7 Drehrichtungsumschalter	16 Korrekte Anzugsmoment	25 Kohlebürstenkappe
8 LED-Anzeige	17 Anzugszeit	26 Zuleitungsdraht
9 Einsatz	18 HV-Schraube	27 Loch

**TECHNISCHE DATEN**

Modell		DTD134	DTD146
Bohrleistung	Maschinenschraube	4 mm – 8 mm	
	Standardschraube	5 mm – 14 mm	
	HV-Schraube	5 mm – 12 mm	
Leerlaufdrehzahl (min <sup>-1</sup> )		0 – 2 400	0 – 2 300
Schlagzahl pro Minute		0 – 3 200	
Gesamtlänge		138 mm	
Nettogewicht		1,2 kg (mit Akku BL1415) 1,4 kg (mit Akku BL1430/BL1440)	1,3 kg (mit Akku BL1815/BL1815N) 1,5 kg (mit Akku BL1830/BL1840)
Nennspannung		DC 14,4 V	DC 18 V

- Wir behalten uns vor, Änderungen im Zuge der Entwicklung und des technischen Fortschritts ohne vorherige Ankündigung vorzunehmen.
- Die technischen Daten und der Akku können von Land zu Land unterschiedlich sein.
- Gewicht mit Akku nach EPTA-Verfahren 01/2003

GE054-1

ENE033-1

**Vorgesehene Verwendung**

Die Maschine ist für das Eindrehen von Schrauben in Holz, Metall und Kunststoff vorgesehen.

GEA010-1

**Allgemeine Sicherheitswarnungen für Elektrowerkzeuge**

**⚠️ WARNUNG Lesen Sie alle Sicherheitswarnungen und Anweisungen durch.** Eine Missachtung der unten aufgeführten Warnungen und Anweisungen kann zu einem elektrischen Schlag, Brand und/oder schweren Verletzungen führen.

**Bewahren Sie alle Warnungen und Anweisungen für spätere Bezugnahme auf.**

**SICHERHEITSWARNUNGEN FÜR AKKU-SCHLAGSCHRAUBER**

- Halten Sie das Elektrowerkzeug nur an den isolierten Griffflächen, wenn Sie Arbeiten ausführen, bei denen die Gefahr besteht, dass das Befestigungselement verborgene Kabel.** Bei Kontakt mit einem Strom führenden Kabel können die freiliegenden Metallteile des Elektrowerkzeugs ebenfalls Strom führend werden, so dass der Benutzer einen elektrischen Schlag erleiden kann.
- Sorgen Sie für sicheren Stand und halten Sie jederzeit Gleichgewicht.** Stellen Sie sicher, dass sich bei Einsatz der Maschine an hochgelegenen Arbeitsplätzen keine Personen darunter aufhalten.
- Halten Sie die Maschine fest.**
- Tragen Sie stets einen Gehörschutz.**

**BEWAHREN SIE DIESE HINWEISE SORGFÄLTIG AUF.**

**⚠️ WARNUNG:** Lassen Sie sich NICHT durch Bequemlichkeit oder Vertrautheit mit dem Produkt (durch wiederholten Gebrauch erworben) von der strikten Einhaltung der Sicherheitsregeln für das vorliegende Produkt abhalten.

**MISSBRAUCH** oder Missachtung der Sicherheitsvorschriften in dieser Anleitung können schwere Verletzungen verursachen.

## WICHTIGE SICHERHEITSVORSCHRIFTEN

### FÜR AKKU

1. Lesen Sie vor der Benutzung des Akkus alle Anweisungen und Warnhinweise, die an (1) Ladegerät, (2) Akku und (3) Akkuwerkzeug angebracht sind.
2. Unterlassen Sie ein Zerlegen des Akkus.
3. Falls die Betriebszeit beträchtlich kürzer geworden ist, stellen Sie den Betrieb sofort ein. Anderenfalls besteht die Gefahr von Überhitzung, möglichen Verbrennungen und sogar einer Explosion.
4. Falls Elektrolyt in Ihre Augen gelangt, waschen Sie sie mit sauberem Wasser aus, und begeben Sie sich unverzüglich in ärztliche Behandlung. Anderenfalls können Sie Ihre Sehkraft verlieren.
5. Der Akku darf nicht kurzgeschlossen werden:
  - (1) Die Kontakte dürfen nicht mit leitfähigem Material berührt werden.
  - (2) Lagern Sie den Akku nicht in einem Behälter zusammen mit anderen Metallgegenständen, wie z.B. Nägel, Münzen usw.
  - (3) Setzen Sie den Akku weder Wasser noch Regen aus.

Ein Kurzschluss des Akkus verursacht starken Stromfluss, der Überhitzung, Verbrennungen und einen Defekt zur Folge haben kann.
6. Lagern Sie Maschine und Akku nicht an Orten, an denen die Temperatur 50°C erreichen oder überschreiten kann.
7. Versuchen Sie niemals, den Akku zu verbrennen, selbst wenn er stark beschädigt oder vollkommen verbraucht ist. Der Akku kann im Feuer explodieren.
8. Achten Sie darauf, dass der Akku nicht fallen gelassen oder Stößen ausgesetzt wird.
9. Keinen beschädigten Akku benutzen.

### BEWAHREN SIE DIESE HINWEISE SORGFÄLTIG AUF.

#### Hinweise zur Aufrechterhaltung der maximalen Akku-Nutzungsdauer

1. Laden Sie den Akku, bevor er vollkommen erschöpft ist.  
Schalten Sie die Maschine stets aus, und laden Sie den Akku, wenn Sie ein Nachlassen der Maschinenleistung feststellen.
2. Unterlassen Sie das erneute Laden eines voll aufgeladenen Akkus. Überladen führt zu einer Verkürzung der Nutzungsdauer des Akkus.
3. Laden Sie den Akku bei Raumtemperatur zwischen 10°C – 40°C. Lassen Sie einen heißen Akku abkühlen, bevor Sie ihn laden.
4. Laden Sie den Akku bei längerer Nichtbenutzung alle sechs Monate nach.

### VORSICHT:

- Vergewissern Sie sich vor der Durchführung von Einstellungen oder Funktionsprüfungen der Maschine stets, dass die Maschine ausgeschaltet und der Akku abgenommen ist.

#### Anbringen und Abnehmen des Akkus (Abb. 1)

- Schalten Sie die Maschine stets aus, bevor Sie den Akku anbringen oder abnehmen.
- Schieben Sie den Akku zum Abnehmen von der Maschine ab, während Sie den Knopf an der Vorderseite des Akkus drücken.
- Zum Einsetzen des Akkus richten Sie die Führungsfeder des Akkus auf die Nut im Werkzeuggehäuse aus und schieben den Akku hinein. Schieben Sie den Akku stets vollständig ein, bis er mit einem hörbaren Klicken einrastet. Falls die rote Anzeige an der Oberseite des Knopfes sichtbar ist, ist der Akku nicht vollständig verriegelt. Schieben Sie ihn bis zum Anschlag ein, bis die rote Anzeige nicht mehr sichtbar ist. Anderenfalls kann er aus der Maschine herausfallen und Sie oder umstehende Personen verletzen.

Wenden Sie beim Einsetzen des Akkus keine Gewalt an. Falls der Akku nicht reibungslos hineingleitet, ist er nicht richtig ausgerichtet.

#### Akkuschutzsystem (Akku mit Sternsymbol) (Abb. 2)

Ein Akku mit Sternsymbol ist mit einem Schutzsystem ausgestattet, das die Stromabgabe automatisch abschaltet, um eine lange Lebensdauer zu gewährleisten.

Die Maschine schaltet sich während des Betriebs ab, wenn Maschine und/oder Akku in die folgende Situation geraten. Dies wird durch die Aktivierung des Schutzsystems verursacht und ist kein Anzeichen für eine Störung der Maschine.

- Wenn die Maschine überlastet wird:  
Lassen Sie in diesem Fall den Ein-Aus-Schalter los, nehmen Sie den Akku ab, und beseitigen Sie die Ursachen der Überlastung, bevor Sie den Ein-Aus-Schalter erneut betätigen, um die Maschine wieder einzuschalten.
- Wenn die Akkuzellen heiß werden:  
Trotz Betätigung des Ein-Aus-Schalters bleibt der Motor abgeschaltet.  
Unterbrechen Sie in diesem Fall den Betrieb der Maschine, um sie abkühlen zu lassen, oder laden Sie den Akku, nachdem Sie ihn von der Maschine abgenommen haben.
- Wenn die Akku-Restkapazität niedrig wird:  
Trotz Betätigung des Ein-Aus-Schalters bleibt der Motor abgeschaltet.  
Nehmen Sie in diesem Fall den Akku von der Maschine ab, und laden Sie ihn auf.

## Schalterfunktion (Abb. 3)

### ⚠ VORSICHT:

- Vergewissern Sie sich vor dem Einsetzen des Akkus in die Maschine stets, dass der Ein-Aus-Schalter ordnungsgemäß funktioniert und beim Loslassen in die AUS-Stellung zurückkehrt.

Zum Einschalten der Maschine einfach den Ein-Aus-Schalter drücken. Die Drehzahl erhöht sich durch verstärkte Druckausübung auf den Ein-Aus-Schalter. Zum Ausschalten lassen Sie den Ein-Aus-Schalter los.

## Einschalten der Frontlampe (Abb. 4)

### ⚠ VORSICHT:

- Blicken Sie nicht direkt in die Lampe oder die Lichtquelle.

Betätigen Sie den Ein-Aus-Schalter, um die Lampe einzuschalten. Die Lampe bleibt erleuchtet, solange der Ein-Aus-Schalter gedrückt gehalten wird. Die Lampe erlischt etwa 10 – 15 Sekunden nach dem Loslassen des Ein-Aus-Schalters automatisch.

### HINWEIS:

- Wischen Sie Schmutz auf der Lampenlinse mit einem trockenen Tuch ab. Achten Sie sorgfältig darauf, dass Sie die Lampenlinse nicht verkratzen, weil sich sonst die Lichtstärke verringert.

## Drehrichtungsumschalterbedienung (Abb. 5)

Diese Maschine besitzt einen Drehrichtungsumschalter. Drücken Sie auf die Seite A des Drehrichtungsumschalters für Rechtsdrehung, und auf die Seite B für Linksdrehung.

In der Neutralstellung des Drehrichtungsumschalters ist der Ein-Aus-Schalter verriegelt.




### ⚠ VORSICHT:

- Prüfen Sie stets die Drehrichtung, bevor Sie mit der Arbeit beginnen.
- Betätigen Sie den Drehrichtungsumschalter erst, nachdem die Maschine völlig zum Stillstand gekommen ist. Durch Umschalten der Drehrichtung bei noch laufender Maschine kann die Maschine beschädigt werden.
- Stellen Sie den Drehrichtungsumschalter stets auf die Neutralstellung, wenn Sie die Maschine nicht benutzen.

## Leersignal für Akku-Restkapazität (Abb. 6)

Schalten Sie die Maschine ab, und drücken Sie den Knopf am Tastenfeld bei abgeschalteter Maschine, worauf die Akku-Restkapazität auf dem Feld signalisiert wird.

Der auf dem Tastenfeld angezeigte Status und die Akku-Restkapazität sind in der nachstehenden Tabelle angegeben.

Status der LED-Anzeige	Akku-Restkapazität
	Etwa 50% oder mehr
	Etwa 20% - 50%
	Etwa weniger als 20%

### HINWEIS:

- Schalten Sie unbedingt die Maschine ab, bevor Sie die Akku-Restkapazität überprüfen.

## MONTAGE

### ⚠ VORSICHT:

- Vergewissern Sie sich vor der Ausführung von Arbeiten an der Maschine stets, dass die Maschine ausgeschaltet und der Akku abgenommen ist.

## Montage und Demontage vom Schraubendreher- oder Steckschlüsseleinsatz

Verwenden Sie nur Einsätze, deren Einschubteil die in der Abbildung gezeigte Form hat. (Abb. 7)

### Für Maschine mit flacher Werkzeugaufnahme

A = 12 mm B = 9 mm	Nur diese Einsatztypen verwenden. Wenden Sie Verfahren (1) an. (Hinweis) Einsatzhalter wird nicht benötigt.
-----------------------	---

### Für Maschine mit tiefer Werkzeugaufnahme

A = 17 mm B = 14 mm	Zur Montage dieser Einsatztypen wenden Sie Verfahren (1) an.
A = 12 mm B = 9 mm	Zur Montage dieser Einsatztypen wenden Sie Verfahren (2) an. (Hinweis) Für die Montage des Einsatzes wird ein Einsatzhalter benötigt.

- Zum Montieren des Einsatzes die Werkzeugaufnahme ziehen, und den Einsatz bis zum Anschlag in die Werkzeugaufnahme einführen. (Abb. 8)
- Zum Montieren des Einsatzes den Einsatzhalter und den Einsatz bis zum Anschlag in die Werkzeugaufnahme einführen. Der Einsatzhalter muss mit der spitzen Seite nach innen in die Werkzeugaufnahme eingeführt werden. Lassen Sie dann die Werkzeugaufnahme los, um den Einsatz zu sichern. (Abb. 9)

Zum Entfernen des Einsatzes die Werkzeugaufnahme ziehen, und den Einsatz herausziehen.

### HINWEIS:

- In allen anderen Ländern außer Europa erübrigt sich das Ziehen der Werkzeugaufnahme zum Montieren des Einsatzes.
- Wird der Einsatz nicht tief genug in die Werkzeugaufnahme eingeführt, kehrt die Werkzeugaufnahme nicht zur Ausgangsstellung zurück, so dass der Einsatz nicht eingespannt wird. Versuchen Sie in diesem Fall, den Einsatz wie oben beschrieben neu einzuführen.
- Wenn das Einführen des Einsatzes schwierig ist, ziehen Sie die Werkzeugaufnahme zurück, und führen Sie dann den Einsatz bis zum Anschlag in die Werkzeugaufnahme ein.
- Vergewissern Sie sich nach dem Einführen des Einsatzes, dass er einwandfrei gesichert ist. Verwenden Sie ihn nicht, falls er herausrutscht.

## Haken (Abb. 10)

Der Haken ist praktisch, um das Werkzeug vorübergehend aufzuhängen. Der Haken kann auf beiden Seiten des Werkzeugs angebracht werden.

Um den Haken anzubringen, führen Sie ihn in die Nut entweder auf der linken oder rechten Seite des Werkzeuggehäuses ein, und sichern Sie ihn dann mit einer Schraube. Um den Haken zu entfernen, lösen Sie die Schraube, und nehmen Sie dann den Haken heraus.

## BETRIEB

Das korrekte Anzugsmoment hängt u.a. von der Art oder Größe der Schrauben oder der Art der zu verschraubenden Materialien ab. Der Zusammenhang zwischen Anzugsmoment und Anzugszeit ist aus den Diagrammen ersichtlich. **(Abb. 11, 12 u. 13)**

Halten Sie die Maschine mit festem Griff, und setzen Sie die Spitze des Schraubendrehereinsatzes in den Schraubenkopf ein. Üben Sie Vorwärtsdruck auf die Maschine aus, so dass der Einsatz nicht von der Schraube abrutscht, und schalten Sie die Maschine ein, um mit der Schraubarbeit zu beginnen.

### HINWEIS:

- Verwenden Sie einen für den Kopf der zu verwendenden Schraube passenden Einsatz.
- Üben Sie beim Anziehen von Schrauben der Größe M8 oder kleiner vorsichtigen Druck auf den Ein-Aus-Schalter aus, damit die Schraube nicht beschädigt wird.
- Halten Sie die Maschine gerade auf die Schraube gerichtet.
- Wird die in den Diagrammen angegebene Anzugszeit überschritten, können die Schraube oder die Spitze des Schraubendrehereinsatzes überlastet, ausgerissen oder beschädigt werden. Führen Sie vor Arbeitsbeginn stets eine Probeverschraubung durch, um die geeignete Anzugszeit für die jeweilige Schraube zu ermitteln.
- Wenn Sie die Arbeit mit einem Ersatzakku fortsetzen wollen, lassen Sie die Maschine mindestens 15 Minuten lang abkühlen.

Das Anzugsmoment unterliegt einer Reihe von Einflüssen, einschließlich der folgenden. Überprüfen Sie das Anzugsmoment nach dem Anziehen stets mit einem Drehmomentschlüssel.

1. Wenn der Akku nahezu erschöpft ist, fällt die Spannung ab, und das Anzugsmoment verringert sich.
2. Schraubendreher- oder Steckschlüsseleinsatz  
Die Verwendung eines Schraubendreher- oder Steckschlüsseleinsatzes der falschen Größe bewirkt eine Verringerung des Anzugsmoments.
3. Schraube
  - Selbst wenn der Drehmoment-Koeffizient und der Typ der Schraube gleich sind, ändert sich das Korrekte Anzugsmoment je nach dem Durchmesser der Schraube.
  - Selbst wenn Schrauben den gleichen Durchmesser haben, ist das korrekte Anzugsmoment je nach Drehmoment-Koeffizient, Typ und Länge der Schraube unterschiedlich.
4. Die Art und Weise, wie die Maschine oder das Material der Verschraubungsposition gehalten wird, beeinflusst das Anzugsmoment.
5. Der Betrieb der Maschine mit einer niedrigen Drehzahl hat eine Reduzierung des Anzugsmoments zur Folge.

## WARTUNG

### ⚠ VORSICHT:

- Vergewissern Sie sich vor der Durchführung von Inspektions- oder Wartungsarbeiten stets, dass die Maschine ausgeschaltet und der Akku abgenommen ist.
- Verwenden Sie auf keinen Fall Benzin, Benzol, Verdüner, Alkohol oder dergleichen. Solche Mittel können Verfärbung, Verformung oder Rissbildung verursachen.

## Kohlebürsten wechseln

Wenn sie bis zur Verschleißgrenze abgenutzt sind, müssen sie erneuert werden. Halten Sie die Kohlebürsten stets sauber, damit sie ungehindert in den Haltern gleiten können. Beide Kohlebürsten sollten gleichzeitig erneuert werden. Verwenden Sie nur identische Kohlebürsten.

### **(Abb. 14)**

Drehen Sie die zwei Schrauben mit einem Schraubendreher heraus, und nehmen Sie dann die Rückabdeckung ab. **(Abb. 15)**

Heben Sie den Arm der Feder an, und setzen Sie ihn dann mithilfe eines Schlitzschraubendrehers mit schlankem Schaft oder dergleichen in die Vertiefung des Gehäuses ein. **(Abb. 16)**

Entfernen Sie die Kappen der Kohlebürsten mit einer Zange. Nehmen Sie die abgenutzten Kohlebürsten heraus, setzen Sie die neuen ein, und bringen Sie die Kappe umgekehrt wieder an. **(Abb. 17)**

Achten Sie darauf, dass der Zuleitungsdraht auf der gegenüberliegenden Seite des Arms liegt. **(Abb. 18)** Vergewissern Sie sich, dass die Kappen der Kohlebürsten einwandfrei in den Löchern der Bürstenhalter sitzen. **(Abb. 19)**

Bringen Sie die Rückabdeckung wieder an, und ziehen Sie die zwei Schrauben fest an.

Um die SICHERHEIT und ZUVERLÄSSIGKEIT dieses Produkts zu gewährleisten, sollten Reparaturen und andere Wartungs- oder Einstellarbeiten nur von Makita-Kundendienstzentren unter ausschließlicher Verwendung von Makita-Originalersatzteilen ausgeführt werden.

## SONDERZUBEHÖR

### ⚠ VORSICHT:

- Die folgenden Zubehörteile oder Vorrichtungen werden für den Einsatz mit der in dieser Anleitung beschriebenen Makita-Maschine empfohlen. Die Verwendung anderer Zubehörteile oder Vorrichtungen kann eine Verletzungsgefahr darstellen. Verwenden Sie Zubehörteile oder Vorrichtungen nur für ihren vorgesehenen Zweck.

Wenn Sie weitere Einzelheiten bezüglich dieser Zubehörteile benötigen, wenden Sie sich bitte an Ihre Makita-Kundendienststelle.

- Schraubendrehereinsätze
- Haken
- Plastiköffner
- Verschiedene Original-Makita-Akkus und -Ladegeräte
- Akkuschützer

### HINWEIS:

- Manche Teile in der Liste können als Standardzubehör im Werkzeugsatz enthalten sein. Sie können von Land zu Land unterschiedlich sein.



**Geräusch**

Typischer A-bewerteter Geräuschpegel ermittelt gemäß EN60745:

**Modell DTD134**

Schalldruckpegel ( $L_{pA}$ ): 92 dB (A)  
Schalleistungspegel ( $L_{WA}$ ): 103 dB (A)  
Ungewissheit (K): 3 dB (A)

**Modell DTD146**

Schalldruckpegel ( $L_{pA}$ ): 93 dB (A)  
Schalleistungspegel ( $L_{WA}$ ): 104 dB (A)  
Ungewissheit (K): 3 dB (A)

**Gehörschutz tragen**

ENG900-1

**Vibration**

Vibrationsgesamtwert (Drei-Achsen-Vektorsumme) ermittelt gemäß EN60745:

**Modell DTD134**

Arbeitsmodus: Schlagschrauben von Befestigungsteilen der maximalen Kapazität der Maschine  
Vibrationsemission ( $a_h$ ): 12,0 m/s<sup>2</sup>  
Ungewissheit (K): 1,5 m/s<sup>2</sup>

**Modell DTD146**

Arbeitsmodus: Schlagschrauben von Befestigungsteilen der maximalen Kapazität der Maschine  
Vibrationsemission ( $a_h$ ): 15,5 m/s<sup>2</sup>  
Ungewissheit (K): 2,0 m/s<sup>2</sup>

ENG901-1

- Der angegebene Vibrationsemissionswert wurde im Einklang mit der Standardprüfmethode gemessen und kann für den Vergleich zwischen Maschinen herangezogen werden.
- Der angegebene Vibrationsemissionswert kann auch für eine Vorbewertung des Gefährdungsgrads verwendet werden.

**⚠️ WARNUNG:**

- Die Vibrationsemission während der tatsächlichen Benutzung des Elektrowerkzeugs kann je nach der Benutzungsweise der Maschine vom angegebenen Emissionswert abweichen.
- Identifizieren Sie Sicherheitsmaßnahmen zum Schutz des Benutzers anhand einer Schätzung des Gefährdungsgrads unter den tatsächlichen Benutzungsbedingungen (unter Berücksichtigung aller Phasen des Arbeitszyklus, wie z. B. Ausschalt- und Leerlaufzeiten der Maschine zusätzlich zur Betriebszeit).

**Nur für europäische Länder****EG-Übereinstimmungserklärung**

**Wir, die Firma Makita als verantwortlicher Hersteller, erklären, dass die folgende(n) Makita-Maschine(n):**

Bezeichnung der Maschine: Akku-Schlagschrauber  
Modell-Nr./ Typ: DTD134, DTD146

der Serienproduktion entstammen und

**den folgenden europäischen Richtlinien entsprechen:**  
2006/42/EG

und gemäß den folgenden Standards oder standardisierten Dokumenten hergestellt werden:  
EN60745

Die technische Dokumentation befindet sich im Bestand unserer autorisierten Vertretung in Europa, nämlich:

Makita International Europe Ltd.

Michigan Drive, Tongwell,

Milton Keynes, Bucks MK15 8JD, England

24.1.2011



Tomoyasu Kato  
Direktor

Makita Corporation  
3-11-8, Sumiyoshi-cho,  
Anjo, Aichi, 446-8502, JAPAN

**Visione generale**

1 Indicatore rosso	10 Manicotto	19 Segno limite
2 Bottone	11 Pezzo di punta	20 Viti
3 Cartuccia batteria	12 Gancio	21 Coperchio posteriore
4 Marchio di stella	13 Vite	22 Molla
5 Grilletto dell'interruttore	14 Bullone standard	23 Braccio
6 Lampadina	15 Coppia di serraggio	24 Parte incassata
7 Leva interruttore inversione	16 Coppia di serraggio corretta	25 Tappo spazzole di carbone
8 Indicatore LED	17 Tempo di serraggio	26 Cavo elettrico
9 Punta	18 Bullone altamente tensile	27 Foro

**DATI TECNICI**

Modello		DTD134	DTD146
Capacità	Vite comune	4 mm – 8 mm	
	Bullone standard	5 mm – 14 mm	
	Bullone altamente tensile	5 mm – 12 mm	
Velocità senza carico (min <sup>-1</sup> )		0 – 2.400	0 – 2.300
Impulsi al minuto		0 – 3.200	
Lunghezza totale		138 mm	
Peso netto		1,2 kg (con batteria BL1415) 1,4 kg (con batteria BL1430/BL1440)	1,3 kg (con batteria BL1815/BL1815N) 1,5 kg (con batteria BL1830/BL1840)
Tensione nominale		C.c. 14,4 V	C.c. 18 V

- Per il nostro programma di ricerca e sviluppo continui, i dati tecnici sono soggetti a modifiche senza preavviso.
- I dati tecnici e la cartuccia batteria potrebbero differire da paese a paese.
- Peso, con cartuccia batteria, secondo la Procedura EPTA 01/2003

ENE033-1

**Utilizzo previsto**

Questo utensile serve ad avvitare le viti nel legno, metallo e plastica.

GEA010-1

**Avvertimenti generali per la sicurezza dell'utensile elettrico**

**⚠ AVVERTIMENTO** Leggere tutti gli avvertimenti per la sicurezza e le istruzioni. La mancata osservanza degli avvertimenti e delle istruzioni può causare scosse elettriche, incendio e/o gravi incidenti.

Conservare tutti gli avvertimenti e le istruzioni per riferimenti futuri.

GEB054-1

**AVVERTIMENTI PER LA SICUREZZA PER LA AVVITATORE AD IMPULSO A BATTERIA**

1. Tenere l'utensile per le superfici isolate quando si esegue una operazione in cui i dispositivi di chiusura potrebbero fare contatto con fili elettrici nascosti. I dispositivi di chiusura che fanno contatto con un filo elettrico "sotto tensione" potrebbero mettere "sotto tensione" le parti metalliche esposte dell'utensile dando una scossa elettrica all'operatore.

2. Assicurarsi sempre di avere i piedi sul sicuro. Assicurarsi che non c'è nessuno al disotto, quando si usa l'utensile in posizioni alte.
3. Tenere l'utensile ben fermo in mano.
4. Indossare protettori delle orecchie.

**CONSERVARE QUESTE ISTRUZIONI.**

**⚠ AVVERTIMENTO:**  
NON lasciare che comodità o la familiarità d'utilizzo con il prodotto (acquisita con l'uso ripetuto) sostituisca la stretta osservanza delle norme di sicurezza. L'utilizzo SBAGLIATO o la mancata osservanza delle norme di sicurezza di questo manuale di istruzioni potrebbero causare lesioni serie.

ENC007-7

**ISTRUZIONI IMPORTANTI DI SICUREZZA**

**PER LA CARTUCCIA BATTERIA**

1. Prima di usare la cartuccia batteria, leggere tutte le istruzioni e le avvertenze sul (1) caricabatteria, sulla (2) batteria e sul (3) prodotto che utilizza la batteria.
2. Non smontare la cartuccia batteria.
3. Se il tempo di utilizzo è diventato molto corto, smettere immediatamente di usare l'utensile. Può risultare un rischio di surriscaldamento, possibili ustioni e addirittura un'esplosione.
4. Se l'elettrolita va negli occhi, risciacquarli con acqua pulita e rivolgersi immediatamente ad un medico. Può risultare la perdita della vista.

5. **Non cortocircuitare la cartuccia batteria:**
  - (1) Non toccare i terminali con qualche metallo conduttivo.
  - (2) Evitare di conservare la cartuccia batteria in un contenitore con altri oggetti metallici come i chiodi, le monete, ecc.
  - (3) Non esporre la cartuccia batteria all'acqua o alla pioggia.

Un cortocircuito della batteria può causare un grande flusso di corrente, il surriscaldamento, possibili ustioni e addirittura un guasto.
6. **Non conservare l'utensile e la cartuccia batteria in luoghi in cui la temperatura può raggiungere o superare i 50°C.**
7. **Non incenerire la cartuccia batteria anche se è gravemente danneggiata o è completamente esaurita. La cartuccia batteria può esplodere e provocare un incendio.**
8. **Fare attenzione a non lasciar cadere o a colpire la batteria.**
9. **Non usare una batteria danneggiata.**

## CONSERVARE QUESTE ISTRUZIONI.

### Suggerimenti per mantenere la durata massima della batteria

1. **Caricare la cartuccia batteria prima che si scarichi completamente.**  
Smettere sempre di usare l'utensile e caricare la cartuccia batteria quando si nota che la potenza dell'utensile è diminuita.
2. **Non ricaricare mai una cartuccia batteria completamente carica. La sovraccarica riduce la durata della batteria.**
3. **Caricare la cartuccia batteria con la temperatura ambiente da 10°C a 40°C. Lasciar raffreddare una cartuccia batteria calda prima di caricarla.**
4. **Caricare la cartuccia batteria una volta ogni sei mesi se non si intende usarla per un lungo periodo di tempo.**

## DESCRIZIONE FUNZIONALE

### ⚠ATTENZIONE:

- Accertarsi sempre che l'utensile sia spento e che la cartuccia batteria sia stata rimossa prima di regolare o di controllare il funzionamento dell'utensile.

### Installazione o rimozione della cartuccia batteria (Fig. 1)

- Spegnere sempre l'utensile prima di inserire o di rimuovere la cartuccia batteria.
- Per rimuovere la cartuccia batteria, ritrarla dall'utensile spingendo il bottone sulla parte anteriore della cartuccia batteria.
- Per installare la cartuccia batteria, allineare l'appendice sulla cartuccia batteria con la scanalatura dell'alloggiamento e inserirla in posizione. Inserirla sempre completamente finché non si blocca con un piccolo scatto. Se si vede l'indicatore rosso sulla parte superiore del bottone, vuol dire che non è bloccata completamente. Installarla completamente finché non si vede più l'indicatore rosso. In caso contrario, potrebbe cadere dall'utensile con pericolo di ferite per l'operatore o per chi gli è vicino.

Per installare la cartuccia batteria non bisogna usare forza. Se la cartuccia batteria non entra facilmente, vuol dire che non viene inserita correttamente.

### Sistema di protezione della batteria (cartuccia batteria con il marchio di stella) (Fig. 2)

La cartuccia batteria con il marchio di stella è dotata del sistema di protezione, che interrompe automaticamente l'uscita di corrente per mantenere la sua lunga vita di servizio.

L'utensile si arresta mentre funziona se esso o la batteria vengono a trovarsi in una delle condizioni seguenti. Ciò è causato dall'attivazione del sistema di protezione, e non indica un problema dell'utensile.

- Quando si verifica un sovraccarico dell'utensile:  
In questo caso, rilasciare il grilletto dell'interruttore, rimuovere la cartuccia batteria, eliminare la causa del sovraccarico e schiacciare poi di nuovo il grilletto dell'interruttore per riavviare l'utensile.
- Quando la batteria diventa calda:  
Anche se si aziona il grilletto dell'interruttore, il motore non parte.  
In questo caso, smettere di usare l'utensile e lasciare raffreddare o ricaricare la cartuccia batteria dopo averla rimossa dall'utensile.
- Quando la capacità restante della batteria diventa bassa:  
Anche se si aziona il grilletto dell'interruttore, il motore non parte.  
In questo caso, rimuovere la cartuccia batteria dall'utensile e caricarla.

### Funzionamento dell'interruttore (Fig. 3)

#### ⚠ATTENZIONE:

- Prima di installare la cartuccia batteria nell'utensile, controllare sempre che il grilletto dell'interruttore funzioni correttamente e torni sulla posizione "OFF" quando viene rilasciato.

Per avviare l'utensile, schiacciare semplicemente il grilletto dell'interruttore. La velocità dell'utensile si aumenta aumentando la pressione sul grilletto dell'interruttore. Rilasciare il grilletto dell'interruttore per fermarlo.

### Accensione della lampadina anteriore (Fig. 4)

#### ⚠ATTENZIONE:

- Non guardare direttamente la luce della lampadina.

Schiacciare il grilletto dell'interruttore per accendere la lampadina. La lampadina rimane accesa mentre il grilletto dell'interruttore è schiacciato. La lampadina si spegne automaticamente 10 – 15 secondi dopo che il grilletto dell'interruttore è stato rilasciato.

#### NOTA:

- Usare un panno asciutto per pulire la lente della lampadina. Fare attenzione a non graffiare la lente della lampadina, perché si potrebbe ridurre l'illuminazione.

### Funzionamento dell'interruttore di inversione (Fig. 5)

Questo utensile è dotato di un interruttore di inversione, che cambia la direzione di rotazione. Schiacciare la leva interruttore inversione dal lato A per la rotazione in senso orario, o dal lato B per la rotazione in senso antiorario. Quando la leva interruttore inversione si trova sulla posizione neutra, non si può schiacciare il grilletto dell'interruttore.




### **⚠ ATTENZIONE:**

- Controllare sempre la direzione di rotazione prima avviare l'utensile.
- Usare l'interruttore di inversione soltanto dopo che l'utensile si è fermato completamente. Se si cambia la direzione di rotazione prima dell'arresto dell'utensile, lo si potrebbe danneggiare.
- Quando non si usa l'utensile, regolare sempre la leva interruttore inversione sulla posizione neutra.

### **Segnale di scaricamento della capacità restante della batteria (Fig. 6)**

Arrestare l'utensile e, mentre è fermo, premere il bottone sul pannello interruttori per visualizzare sul pannello la capacità restante della batteria.

Lo stato visualizzato sul pannello interruttori e la capacità restante della batteria sono mostrati nella tabella seguente.

Stato indicatore LED	Capacità restante della batteria
	50% circa o più
	Dal 20% al 50% circa
	Meno del 20% circa

### **NOTA:**

- Arrestare l'utensile prima di controllare la capacità restante della batteria.

## **MONTAGGIO**

### **⚠ ATTENZIONE:**

- Accertarsi sempre che l'utensile sia spento e che la cartuccia batteria sia stata rimossa prima di qualsiasi intervento sull'utensile.

### **Installazione o rimozione della punta o bussola**

Utilizzare solo punte dotate della parte di inserimento indicata in figura. (Fig. 7)

#### **Per un utensile con foro della punta poco profondo**

A = 12 mm B = 9 mm	Utilizzare solo questi tipi di punte. Attenersi alla procedura (1). (Nota) Il pezzo di punta non è necessario.
-----------------------	--

#### **Per un utensile con foro della punta profondo**

A = 17 mm B = 14 mm	Per installare questi tipi di punte, attenersi alla procedura (1).
A = 12 mm B = 9 mm	Per installare questi tipi di punte, attenersi alla procedura (2). (Nota) Il pezzo di punta è necessario per installare la punta.

1. Per installare la punta, tirare il manicotto e inserirvi la punta finché non può andare più oltre. (Fig. 8)
2. Per installare la punta, inserire il pezzo di punta e la punta nel manicotto finché non possono andare più oltre. Il pezzo di punta deve essere inserito nel manicotto con la sua estremità a punta rivolta dentro. Rilasciare poi il manicotto per fissare la punta. (Fig. 9)

Per rimuovere la punta, tirare il manicotto e tirare fuori la punta.

### **NOTA:**

- Per tutti i modelli fuori dall'Europa, non è necessario tirare il manicotto quando si installa la punta.
- Se la punta non è inserita completamente nel manicotto, questo non torna sulla sua posizione originale e la punta non rimane fissata. In tal caso, provare a inserire di nuovo la punta secondo le istruzioni sopra.
- Se è difficile inserire la punta, tirare il manicotto e inserirla nel manicotto finché non può andare più oltre.
- Dopo aver inserito la punta, accertarsi che sia fissata saldamente. Se essa fuoriesce, non usarla.

### **Gancio (Fig. 10)**

Il gancio è comodo per appendere temporaneamente l'utensile. Esso può essere installato ad entrambi i lati dell'utensile.

Per installare il gancio, inserirlo nella scanalatura di uno dei lati della cassa dell'utensile e fissarlo poi con una vite. Per rimuoverlo, togliere la vite ed estrarlo.

## **FUNZIONAMENTO**

La coppia di serraggio corretta potrebbe differire secondo il tipo o le dimensioni della vite/bullone, il materiale del pezzo da fissare, ecc. Il rapporto tra la coppia e il tempo di serraggio è mostrato nelle figure. (Fig. 11, 12 e 13)

Tenere saldamente l'utensile e mettere la punta dell'avvitatore sulla testa della vite. Esercitate una pressione in avanti sull'utensile in modo che la punta non scivoli via dalla vite, e accendere l'utensile per cominciare il lavoro.

### **NOTA:**

- Usare la punta adatta alla testa della vite/bullone che si desidera usare.
- Per fissare le viti M8 o più piccole, regolare con cura la pressione sul grilletto dell'interruttore in modo da non danneggiare la vite.
- Tenere l'utensile puntato dritto sulla vite.
- Se si stringe la vite per un tempo più lungo di quello mostrato nelle figure, la vite o la punta dell'avvitatore potrebbero subire una sollecitazione eccessiva, essere danneggiate, ecc. Prima di cominciare il lavoro, eseguire sempre una prova per determinare il tempo di avvvitamento corretto della vite.
- Se si usa una batteria di ricambio per continuare a lavorare, far riposare l'utensile per almeno 15 minuti.

La coppia di serraggio è influenzata da vari fattori, compresi quelli seguenti. Dopo il serraggio, controllare sempre la coppia con una chiave torsiometrica.

1. Quando la batteria è quasi completamente scarica, la tensione scende e la coppia di serraggio si riduce.
2. Punta o bussola  
Se non si usa la punta o la bussola di dimensioni corrette, si causa una riduzione della coppia di serraggio.
3. Bullone
  - Anche se il coefficiente di coppia e la classe del bullone sono gli stessi, la coppia di serraggio corretta differisce secondo il diametro del bullone.
  - Anche se i diametri dei bulloni sono gli stessi, la coppia di serraggio corretta differisce secondo il coefficiente di coppia e la classe e la lunghezza del bullone.

4. La coppia è influenzata da come si tiene l'utensile e dal materiale del pezzo da fissare.
5. Facendo funzionare l'utensile a bassa velocità si causa una riduzione della coppia di serraggio.

## MANUTENZIONE

### ATTENZIONE:

- Accertarsi sempre che l'utensile sia spento e che la cartuccia batteria sia stata rimossa prima dell'intervento di ispezione o manutenzione.
- Mai usare benzina, benzene, solventi, alcol e altre sostanze simili. Potrebbero causare scolorimenti, deformazioni o crepe.

### Sostituzione delle spazzole di carbone

Sostituirle quando sono usurate fino al segno del limite. Mantenere le spazzole di carbone pulite e libere di slittare nei portaspazzole. Entrambe le spazzole di carbone devono essere sostituite allo stesso tempo. Usare soltanto spazzole di carbone identiche. (Fig. 14)

Usare un cacciavite per togliere le due viti, e rimuovere poi il coperchio posteriore. (Fig. 15)

Alzare la parte del braccio della molla e metterlo nella parte incassata dell'alloggiamento usando un cacciavite sottile con punta piatta, o altro attrezzo similare. (Fig. 16)

Usare le pinze per rimuovere i tappi delle spazzole di carbone. Estrarre le spazzole di carbone usurate, inserire quelle nuove e rimettere a posto il tappo della spazzola di carbone con il procedimento inverso. (Fig. 17)

Posizionare sempre il cavo elettrico sul lato opposto del braccio. (Fig. 18)

Accertarsi che i delle spazzole siano montati saldamente nei fori dei portaspazzole. (Fig. 19)

Reinstallare il coperchio posteriore e stringere saldamente le due viti.

Per preservare la SICUREZZA e l'AFFIDABILITÀ del prodotto, le riparazioni, la manutenzione o la regolazione devono essere eseguite da un Centro Assistenza Makita autorizzato usando sempre ricambi Makita.

## ACCESSORI OPZIONALI

### ATTENZIONE:

- Questi accessori o attrezzi sono consigliati per l'uso con l'utensile Makita specificato in questo manuale. L'impiego di altri accessori o attrezzi può costituire un rischio di lesioni alle persone. Usare gli accessori soltanto per il loro scopo prefissato.

Per ottenere maggiori dettagli su questi accessori, rivolgersi a un Centro Assistenza Makita locale.

- Punte avvitatore
- Gancio
- Valigetta di plastica
- Vari tipi di batterie e caricabatterie autentiche Makita
- Protezione batteria

### NOTA:

- Alcuni articoli nella lista potrebbero essere inclusi nell'imballo dell'utensile come accessori standard. Essi potrebbero differire da Paese a Paese.

## Rumore

Il tipico livello di rumore pesato A determinato secondo EN60745:

### Modello DTD134

Livello pressione sonora ( $L_{pA}$ ): 92 dB (A)  
Livello potenza sonora ( $L_{WA}$ ): 103 dB (A)  
Incertezza (K): 3 dB (A)

### Modello DTD146

Livello pressione sonora ( $L_{pA}$ ): 93 dB (A)  
Livello potenza sonora ( $L_{WA}$ ): 104 dB (A)  
Incertezza (K): 3 dB (A)

### Indossare i paraorecchi

ENG900-1

## Vibrazione

Il valore totale di vibrazione (somma vettore triassiale) determinato secondo EN60745:

### Modello DTD134

Modalità operativa: Serraggio a impatto dei dispositivi di chiusura della capacità massima dell'utensile.

Emissione di vibrazione ( $a_n$ ): 12,0 m/s<sup>2</sup>  
Incertezza (K): 1,5 m/s<sup>2</sup>

### Modello DTD146

Modalità operativa: Serraggio a impatto dei dispositivi di chiusura della capacità massima dell'utensile.

Emissione di vibrazione ( $a_n$ ): 15,5 m/s<sup>2</sup>  
Incertezza (K): 2,0 m/s<sup>2</sup>

ENG901-1

- Il valore di emissione delle vibrazioni dichiarato è stato misurato conformemente al metodo di test standard, e può essere usato per paragonare un utensile con un altro.
- Il valore di emissione delle vibrazioni dichiarato può anche essere usato per una valutazione preliminare dell'esposizione.

### AVVERTIMENTO:

- L'emissione delle vibrazioni durante l'uso reale dell'utensile elettrico può differire dal valore di emissione dichiarato a seconda dei modi in cui viene usato l'utensile.
- Identificare le misure di sicurezza per la protezione dell'operatore basate sulla stima dell'esposizione nelle condizioni reali d'utilizzo (tenendo presente tutte le parti del ciclo operativo, come le volte in cui l'utensile viene spento e quando gira a vuoto, oltre al tempo di funzionamento).

**Modello per l'Europa soltanto**

**Dichiarazione CE di conformità**

**Noi della Makita Corporation, come produttori responsabili, dichiariamo che le macchine Makita seguenti:**

Designazione della macchina:

Avvitatore ad impulso a batteria

Modello No./Tipo: DTD134, DTD146

sono una produzione di serie e

**conformi alle direttive europee seguenti:**

2006/42/CE

E sono fabbricate conformemente ai seguenti standard o documenti standardizzati:

EN60745

La documentazione tecnica è tenuta dal nostro rappresentante autorizzato in Europa, che è:

Makita International Europe Ltd.

Michigan Drive, Tongwell,

Milton Keynes, Bucks MK15 8JD, England

24.1.2011



Tomoyasu Kato  
Amministratore

Makita Corporation  
3-11-8, Sumiyoshi-cho,  
Anjo, Aichi, 446-8502, JAPAN

**Verklaring van algemene gegevens**

1 Rode aanduiding	10 Bus	19 Limietmarkering
2 Knop	11 Bit-adapter	20 Schroeven
3 Accu	12 Haak	21 Achterkap
4 Stermarkering	13 Schroef	22 Veer
5 Aan/uit-schakelaar	14 Standaardbout	23 Arm
6 Lamp	15 Aandraaimoment	24 Verdiepte deel
7 Omkeerschakelaar	16 Juiste aandraaimoment	25 Koolborstelkap
8 Resterende-acculadingindicator	17 Aandraaitijd	26 Stroomdraad
9 Bit	18 Bout met hoge trekvastheid	27 Opening

**TECHNISCHE GEGEVENS**

Model		DTD134	DTD146
Capaciteiten	Kolomschroef	4 mm – 8 mm	
	Standaardbout	5 mm – 14 mm	
	Bout met hoge trekvastheid	5 mm – 12 mm	
Toerental onbelast (min <sup>-1</sup> )		0 – 2 400	0 – 2 300
Slagen per minuut		0 – 3 200	
Totale lengte		138 mm	
Netto gewicht		1,2 kg (met accu BL1415) 1,4 kg (met accu BL1430/BL1440)	1,3 kg (met accu BL1815/BL1815N) 1,5 kg (met accu BL1830/BL1840)
Nominale spanning		DC 14,4 V	DC 18 V

GEB054-1

- In verband met ononderbroken research en ontwikkeling behouden wij ons het recht voor bovenstaande technische gegevens te wijzigen zonder voorafgaande kennisgeving.
- De technische gegevens de accu kunnen van land tot land verschillen.
- Gewicht, inclusief accu, volgens de EPTA-procedure 01/2003

ENE033-1

**Doeleinden van gebruik**

Dit gereedschap is bedoeld voor het indraaien van schroeven in hout, metaal en kunststof.

GEA010-1

**Algemene veiligheidswaarschuwingen voor elektrisch gereedschap**

**⚠ WAARSCHUWING!** Lees alle veiligheidswaarschuwingen en alle instructies. Het niet volgen van de waarschuwingen en instructies kan leiden tot elektrische schokken, brand en/of ernstig letsel.

**Bewaar alle waarschuwingen en instructies om in de toekomst te kunnen raadplegen.**

**VEILIGHEIDSWAARSCHUWINGEN SPECIFIEK VOOR EEN ACCU-SLAGSCHROEVENDRAAIER**

1. **Houd elektrisch gereedschap vast bij het geïsoleerde oppervlak van de handgrepen wanneer u werkt op plaatsen waar het bevestigingsmateriaal in aanraking kan komen met verborgen bedrading.** Wanneer bevestigingsmaterialen in aanraking komen met onder spanning staande draden, zullen de niet-geïsoleerde metalen delen van het gereedschap onder spanning komen te staan zodat de gebruiker een elektrische schok kan krijgen.
2. **Zorg ervoor dat u stevig staat op een vast ondergrond.** Bij gebruik van het gereedschap op een hoge plaats dient u ervoor te zorgen dat niemand beneden u aanwezig is.
3. **Houd het gereedschap stevig vast.**
4. **Draag oorbeschermers.**

**BEWAAR DEZE VOORSCHRIFTEN.**

**⚠ WAARSCHUWING:**

Laat u NIET misleiden door een vals gevoel van comfort en bekendheid met het gereedschap (na veelvuldig gebruik) en neem alle veiligheidsvoorschriften van het betreffende gereedschap altijd strikt in acht. **VERKEERD GEBRUIK** of het niet naleven van de veiligheidsvoorschriften in deze gebruiksaanwijzing kan leiden tot ernstige verwondingen.

**BESCHRIJVING VAN DE FUNCTIES****⚠️ LET OP:**

- Zorg altijd dat het gereedschap is uitgeschakeld en de accu ervan is verwijderd alvorens de functies op het gereedschap af te stellen of te controleren.

**Installeren of verwijderen van de accu (Fig. 1)**

- Schakel het gereedschap altijd uit alvorens de accu te installeren of te verwijderen.
- Om de accu uit het gereedschap te halen, verschuift u de knop op de voorkant van de accu en trekt u de accu eraf.
- Om de accu te installeren, doet u de tong op de accu overeenkomen met de groef in de behuizing en dan schuift u de accu erin. Schuif de accu zo ver mogelijk erin totdat deze op zijn plaats vastklikt. Als u de rode aanduiding boven de knop kunt zien, is ze niet volledig vergrendeld. Breng de accu dan steviger aan zodat de rode aanduiding niet meer zichtbaar is. Als u dit niet doet, kan de accu per ongeluk eruit vallen en uzelf of andere personen in uw omgeving verwonden.

Probeer nooit om de accu met geweld te installeren. Als de accu er niet gemakkelijk ingaat, betekent dit dat u hem niet op de juiste wijze erin steekt.

**Accubeveiligingssysteem (Accu met een stermarkering) (Fig. 2)**

De accu met een stermarkering is voorzien van een beveiligingssysteem dat automatisch de stroomlevering afsluit, in het belang van een lange levensduur van de accu.

Het gereedschap kan tijdens gebruik stoppen, wanneer het gereedschap en/of de accu aan de volgende omstandigheden wordt blootgesteld. Dit gebeurt wanneer het beveiligingssysteem in werking treedt; het wijst niet op problemen met het gereedschap.

- Wanneer het gereedschap overbelast is:  
In dat geval laat u de trekschakelaar los, verwijdert u de accu en verhelpt u de oorzaak van de overbelasting; vervolgens drukt u de trekschakelaar weer in om het gereedschap te herstarten.
- Wanneer de accucellen verhit zijn:  
Ongeacht de stand of de beweging van de trekschakelaar zal de motor niet gaan draaien.  
In dat geval staakt u het gebruik van het gereedschap en laat u de accu afkoelen of verwijdert u de accu om die opnieuw op te laden.
- Wanneer de resterende accuspanning te gering is:  
Ongeacht de stand of de beweging van de trekschakelaar zal de motor niet gaan draaien.  
In dit geval maakt u de accu los van het gereedschap en laadt u de accu opnieuw op.

**BELANGRIJKE  
VEILIGHEIDSVORSCHRIFTEN****VOOR ACCU**

1. Lees alle voorschriften en waarschuwingen op (1) de acculader, (2) de accu, en (3) het product waarvoor de accu wordt gebruikt, aandachtig door alvorens de accu in gebruik te nemen.
2. Neem de accu niet uit elkaar.
3. Als de gebruikstijd van een opgeladen accu aanzienlijk korter is geworden, moet u het gebruik ervan onmiddellijk stopzetten. Voortgezet gebruik kan oververhitting, brandwonden en zelfs een ontploffing veroorzaken.
4. Als er elektrolyt in uw ogen is terechtgekomen, spoel dan uw ogen met schoon water en roep onmiddellijk de hulp van een dokter in. Elektrolyt in de ogen kan blindheid veroorzaken.
5. Voorkom kortsluiting van de accu:
  - (1) Raak de acculemmen nooit aan met een geleidend materiaal.
  - (2) Bewaar de accu niet in een bak waarin andere metalen voorwerpen zoals spijkers, munten e.d. worden bewaard.
  - (3) Stel de accu niet bloot aan water of regen.
 Kortsluiting van de accu kan oorzaak zijn van een grote stroomafgifte, oververhitting, brandwonden, en zelfs defecten.
6. Bewaar het gereedschap en de accu niet op plaatsen waar de temperatuur kan oplopen tot 50°C of hoger.
7. Werp de accu nooit in het vuur, ook niet wanneer hij zwaar beschadigd of volledig versleten is. De accu kan namelijk ontploffen in het vuur.
8. Wees voorzichtig dat u de accu niet laat vallen en hem niet blootstelt aan schokken of stoten.
9. Gebruik nooit een beschadigde accu.

**BEWAAR DEZE VOORSCHRIFTEN.****Tips voor een maximale levensduur van de accu**

1. Laad de accu op voordat hij volledig ontladen is. Stop het gebruik van het gereedschap en laad de accu op telkens wanneer u vaststelt dat het vermogen van het gereedschap is afgenomen.
2. Laad een volledig opgeladen accu nooit opnieuw op. Als u de accu te veel oplaadt, zal hij minder lang meegaan.
3. Laad de accu op bij een kamertemperatuur tussen 10°C en 40°C. Laat een warme accu afkoelen alvorens hem op te laden.
4. Laad de accu zeker elk half jaar een keer op, ook als u deze geruime tijd lang niet gebruikt.



### Werking van de trekschakelaar (Fig. 3)

#### ⚠ LET OP:

- Alvorens de accu in het gereedschap te plaatsen, moet u altijd controleren of de aan/uit-schakelaar goed werkt en bij het loslaten naar de "OFF" positie terugkeert.

Om het gereedschap te starten, drukt u gewoon de aan/uit-schakelaar in. Hoe harder u de aan/uit-schakelaar indrukt, hoe sneller het gereedschap draait. Laat de aan/uit-schakelaar los om het gereedschap te stoppen.

### De lampjes aanzetten (Fig. 4)

#### ⚠ LET OP:

- Kijk niet direct in het lamplicht of in de lichtbron.

Druk de trekschakelaar in om de lamp aan te zetten. De lamp blijft branden zolang als u de trekschakelaar ingedrukt houdt. De lamp gaat automatisch uit 10 – 15 seconden na het loslaten van de trekschakelaar.

#### OPMERKING:

- Gebruik een droge doek om vuil op de lamp eraf te vegen. Pas op dat u geen krassen maakt op de lamp-lens, omdat de verlichtingssterkte daardoor kan verminderen.

### Werking van de omkeerschakelaar (Fig. 5)

Dit gereedschap heeft een omkeerschakelaar voor het veranderen van de draairichting. Druk de omkeerschakelaar in vanaf zijde A voor rechte draairichting, of vanaf zijde B voor linkse draairichting.

Wanneer de omkeerschakelaar in de neutrale stand staat, kan de aan/uit-schakelaar niet worden ingedrukt.




#### ⚠ LET OP:

- Controleer altijd de draairichting alvorens het gereedschap te starten.
- Verander de stand van de omkeerschakelaar alleen nadat het gereedschap volledig tot stilstand is gekomen. Als u de draairichting verandert terwijl het gereedschap nog draait, kan het gereedschap beschadigd raken.
- Zet de omkeerschakelaar altijd in de neutrale stand wanneer u het gereedschap niet gebruikt.

### Aanduiding van bijna lege accu (Fig. 6)

Stop het gereedschap en druk vervolgens op de knop van het schakelpaneel, dan wordt de resterende acculading in het paneel aangegeven.

De in het schakelpaneel getoonde werkingstoestand en de resterende acculading staan vermeld in de volgende tabel.

Toestand de indicator	Resterende acculading
	Ongeveer 50% of meer
	Ongeveer 20% - 50%
	Ruwweg minder dan 20%

#### OPMERKING:

- Voor het controleren van de resterende acculading schakelt u eerst het gereedschap uit.

### INEENZETTEN

#### ⚠ LET OP:

- Controleer altijd of het gereedschap is uitgeschakeld en de accu ervan is verwijderd alvorens enig werk aan het gereedschap uit te voeren.

### Aanbrengen of verwijderen van de schroefbit of schroefdong

Gebruik uitsluitend bits met een insteekgedeelte zoals aangegeven in de afbeelding. (Fig. 7)

### Voor gereedschappen met een ondiepe bitinsteekopening

A = 12 mm B = 9 mm	Gebruik uitsluitend dit type bits. Volg procedure (1). (Opmerking) De bit-adapter is niet nodig.
-----------------------	--

### Voor gereedschappen met een diepe bitinsteekopening

A = 17 mm B = 14 mm	Om deze typen bits te plaatsen, volgt u procedure (1).
A = 12 mm B = 9 mm	Om deze typen bits te plaatsen, volgt u procedure (2). (Opmerking) De bit-adapter is nodig om de bit te plaatsen.

1. Om de bit te installeren trekt u aan de bus en schuift u de bit zo ver mogelijk in de bus. (Fig. 8)
2. Om de bit te installeren schuift u de bit-adapter en de bit zo ver mogelijk in de bus. Steek de bit-adapter moet met de punt vooruit in de bus. Laat vervolgens de bus los om de bit vast te zetten. (Fig. 9)

Om de bit te verwijderen trekt u aan de bus en trekt u de bit er uit.

#### OPMERKING:

- Bij de modellen voor niet-Europese landen hoeft u niet aan de bus te trekken wanneer u het bit installeert.
- Als de bit niet diep genoeg in de bus wordt gestoken, zal de bus niet naar haar oorspronkelijke positie terugkeren en zal de bit niet goed vastzitten. In dat geval dient u de bit opnieuw erin te steken volgens de bovenstaande procedure.
- Als het moeilijk is de bit in de bus te steken, trekt u aan de bus en steekt u de bit zo ver mogelijk in de bus.
- Nadat u de bit in de bus hebt gestoken, controleert u dat de bit stevig vast zit. Als de bit uit de bus komt, mag u de bit niet gebruiken.

### Haak (Fig. 10)

De haak is handig om het gereedschap tijdelijk op te hangen. De haak kan aan iedere zijkant van het gereedschap worden bevestigd.

Om de haak te bevestigen, steekt u deze in een gleuf op een zijkant en zet u hem vast met de schroef. Om de haak eraf te halen, draait u de schroef los en haalt u de haak eraf.

## BEDIENING

Het juiste aandraaimoment kan verschillen afhankelijk van het soort en de maat van de schroef/bout, het materiaal van het te bevestigen werkstuk, enz. De verhouding tussen het aandraaimoment en de draaaitijd is aangegeven in de figuren. (Fig. 11, 12 en 13)  
Houd het gereedschap stevig vast en plaats de punt van de schroefbit in de schroefkop. Oefen zoveel kracht op het gereedschap uit als nodig is om de schroefbit op zijn plaats te houden. Schakel vervolgens het gereedschap in om de bediening te starten.

### OPMERKING:

- Gebruik altijd de bit die geschikt is voor de kop van de aan te draaien schroef/bout.
- Voor het vastdraaien van M8 of kleinere schroeven, dient u met zorg de druk op de trekschakelaar te regelen zodat de schroef niet beschadigd wordt.
- Houd het gereedschap altijd recht op de schroef.
- Als u de in de figuren aangegeven draaaitijden overschrijdt, kan de schroef of de punt van de schroefbit overbelast worden, doldaaien, beschadigd raken, enz. Voordat u de werkzaamheden begint, voert u altijd een testbediening uit om de juiste draaaitijd voor de schroef te bepalen.
- Als u een reserve-accu gebruikt om het werk voort te zetten, laat het gereedschap dan tenminste 15 minuten rusten.

Het aandraaimoment wordt beïnvloed door een groot aantal verschillende factoren, waaronder de volgende. Controleer na het vastdraaien altijd het aandraaimoment met een momentsleutel.

1. Wanneer de accu bijna leeg is, neemt de spanning af en vermindert het aandraaimoment.
2. Schroefbit of schroefkop  
Het aandraaimoment vermindert als u niet een schroefbit of schroefkop van de juiste maat gebruikt.
3. Bout
  - Zelfs wanneer het koppelcoëfficiënt overeenkomt met de boutklasse, hangt het juiste aandraaimoment af van de boutdiameter.
  - Zelfs wanneer de boutdiameters gelijk zijn, hangt het juiste aandraaimoment af van het koppelcoëfficiënt, de boutklasse en de boutlengte.
4. De manier van vasthouden van het gereedschap en de positie waar de schroef in het materiaal wordt gedraaid, hebben een invloed op het aandraaimoment.
5. Bij lagere toerentallen wordt ook het aandraaimoment kleiner.

## ONDERHOUD

### ⚠ LET OP:

- Zorg altijd dat het gereedschap is uitgeschakeld en de accu ervan is verwijderd alvorens te beginnen met onderhoud of inspectie.
- Gebruik nooit benzine, wasbenzine, thinner, alcohol en dergelijke. Hierdoor het verkleuring, vervormingen en barsten worden veroorzaakt.

### Vervangen van koolborstels

Vervang de koolborstels wanneer ze tot aan de limiet-markering versleten zijn. Houd de koolborstels schoon zodat ze goed in de houders glijden. Beide koolborstels dienen tegelijkertijd te worden vervangen. Gebruik uitsluitend identieke koolborstels. (Fig. 14)

Verwijder met behulp van een schroevendraaier de twee schroeven en vervolgens de achterkap. (Fig. 15)

Til de arm van de veer op en plaats deze vervolgens in het verdiepte deel van de behuizing met behulp van een platkopschroevendraaier, een dunne steel, of iets dergelijks. (Fig. 16)

Verwijder de koolborstelkap van de koolborstels met behulp van een tang. Haal de versleten koolborstels eruit, plaats de nieuwe erin, en plaats de koolborstelkap in omgekeerde volgorde terug. (Fig. 17)

Leid de stroomdraad in elk geval aan de tegenovergestelde kant van de arm. (Fig. 18)

Let op dat de koolborstelkappen stevig in de openingen van de borstelhouders passen. (Fig. 19)

Plaats de achterkap terug en draai de twee schroeven stevig aan.

Om de VEILIGHEID en BETROUWBAARHEID van het product te handhaven, dienen alle reparaties en alle andere onderhoudswerkzaamheden of afstellingen te worden uitgevoerd door een erkend Makita Servicecentrum, en dat uitsluitend met gebruik van Makita vervangingsonderdelen.

### OPTIONELE ACCESSOIRES

#### ⚠ LET OP:

- Deze accessoires of hulpstukken worden aanbevolen voor gebruik met het Makita gereedschap dat in deze gebruiksaanwijzing is beschreven. Bij gebruik van andere accessoires of hulpstukken bestaat er gevaar voor persoonlijke verwonding. Gebruik de accessoires of hulpstukken uitsluitend voor hun bestemde doel.

Raadpleeg het dichtstbijzijnde Makita Servicecentrum voor verder advies of bijzonderheden omtrent deze accessoires.

- Schroefbits
- Haak
- Plastic draagkist
- Verschillende types originele Makita accu's en acculaders
- Accubeveiliging

### OPMERKING:

- Sommige van de onderdelen in deze lijst kunnen bijgeleverd zijn als standaard-accessoires. Deze accessoires kunnen per land verschillend zijn.

**Geluidsniveau**

De typisch, A-gewogen geluidsniveaus vastgesteld volgens EN60745:

**Model DTD134**

Geluidsdruk-niveau ( $L_{pA}$ ): 92 dB (A)  
 Geluidsenergie-niveau ( $L_{WA}$ ): 103 dB (A)  
 Onnauwkeurigheid (K): 3 dB (A)

**Model DTD146**

Geluidsdruk-niveau ( $L_{pA}$ ): 93 dB (A)  
 Geluidsenergie-niveau ( $L_{WA}$ ): 104 dB (A)  
 Onnauwkeurigheid (K): 3 dB (A)

**Draag oorbeschermers**

ENG900-1

**Trilling**

De totaalwaarde van de trillingen (triaxiale vectorsom) vastgesteld volgens EN60745:

**Model DTD134**

Bedrijfsfunctie: bevestigen met behulp van slagwerking van bevestigingsmiddelen tot de maximale capaciteit van het gereedschap  
 Trillingsemmissie ( $a_h$ ): 12,0 m/s<sup>2</sup>  
 Onnauwkeurigheid (K): 1,5 m/s<sup>2</sup>

**Model DTD146**

Bedrijfsfunctie: bevestigen met behulp van slagwerking van bevestigingsmiddelen tot de maximale capaciteit van het gereedschap  
 Trillingsemmissie ( $a_h$ ): 15,5 m/s<sup>2</sup>  
 Onnauwkeurigheid (K): 2,0 m/s<sup>2</sup>

ENG901-1

- De opgegeven trillingsemmissiewaarde is gemeten volgens de standaardtestmethode en kan worden gebruikt om dit gereedschap te vergelijken met andere gereedschappen.
- De opgegeven trillingsemmissiewaarde kan ook worden gebruikt voor een beoordeling vooraf van de blootstelling.

**⚠ WAARSCHUWING:**

- De trillingsemmissie tijdens het gebruik van het elektrisch gereedschap in de praktijk kan verschillen van de opgegeven trillingsemmissiewaarde afhankelijk van de manier waarop het gereedschap wordt gebruikt.
- Zorg ervoor dat veiligheidsmaatregelen worden getroffen ter bescherming van de operator die zijn gebaseerd op een schatting van de blootstelling onder praktijkomstandigheden (rekening houdend met alle fasen van de bedrijfscyclus, zoals de tijdsduur gedurende welke het gereedschap is uitgeschakeld en stationair draait, naast de ingeschakelde tijdsduur).

**Alleen voor Europese landen****EU-Verklaring van Conformiteit**

**Wij, Makita Corporation, als de verantwoordelijke fabrikant, verklaren dat de volgende Makita-machine(s):**

Aanduiding van de machine: Accu-slagschroevendraaier  
 Modelnr./Type: DTD134, DTD146  
 in serie zijn geproduceerd en

**Voldoen aan de volgende Europese richtlijnen:**  
 2006/42/EC

En zijn gefabriceerd in overeenstemming met de volgende normen of genormaliseerde documenten:

EN60745

De technische documentatie wordt bewaard door onze erkende vertegenwoordiger in Europa, te weten:

Makita International Europe Ltd.  
 Michigan Drive, Tongwell,  
 Milton Keynes, Bucks MK15 8JD, Engeland

24.1.2011



Tomoyasu Kato  
 Directeur

Makita Corporation  
 3-11-8, Sumiyoshi-cho,  
 Anjo, Aichi, 446-8502, JAPAN

**Explicación de los dibujos**

1 Indicador rojo	10 Manguito	19 Marca límite
2 Botón	11 Adaptador de punta	20 Tornillos
3 Cartucho de batería	12 Gancho	21 Cubierta posterior
4 Marca de estrella	13 Tornillo	22 Resorte
5 Gatillo interruptor	14 Perno estándar	23 Brazo
6 Lámpara	15 Torsión de apriete	24 Parte rebajada
7 Palanca del interruptor de inversión	16 Torsión de apriete apropiada	25 Tapa de la escobilla de carbón
8 Indicador LED	17 Tiempo de apriete	26 Hilos conductor
9 Punta	18 Perno de gran resistencia a la tracción	27 Orificio

**ESPECIFICACIONES**

Modelo		DTD134	DTD146
Capacidades	Tornillo para metales	4 mm – 8 mm	
	Perno estándar	5 mm – 14 mm	
	Perno de gran resistencia a la tracción	5 mm – 12 mm	
Velocidad sin carga (min <sup>-1</sup> )		0 – 2.400	0 – 2.300
Impactos por minuto		0 – 3.200	
Longitud total		138 mm	
Peso neto		1,2 kg (con la batería BL1415) 1,4 kg (con la batería BL1430/BL1440)	1,3 kg (con la batería BL1815/BL1815N) 1,5 kg (con la batería BL1830/BL1840)
Tensión nominal		CC 14,4 V	CC 18 V

- Debido a un programa continuo de investigación y desarrollo, las especificaciones aquí dadas están sujetas a cambios sin previo aviso.
- Las especificaciones y el cartucho de batería pueden diferir de país a país.
- Peso, con el cartucho de batería, de acuerdo con el procedimiento EPTA 01/2003

ENE033-1

**Uso previsto**

La herramienta ha sido diseñada para atornillar en madera, metal y plástico.

GEA010-1

**Advertencias de seguridad generales para herramientas eléctricas**

**⚠ ¡ADVERTENCIA! Lea todas las advertencias de seguridad y todas las instrucciones.** Si no sigue todas las advertencias e instrucciones podrá ocasionar una descarga eléctrica, un incendio y/o heridas graves.

**Guarde todas las advertencias e instrucciones para futuras referencias.**

GEB054-1

**ADVERTENCIAS DE SEGURIDAD PARA LA ATORNILLADOR DE IMPACTO INALÁMBRICO**

1. Cuando realice una operación en la que el atornillador de impacto pueda entrar en contacto con cableado oculto, sujete la herramienta eléctrica por las superficies de asimiento aisladas. El contacto del atornillador de impacto con un cable con corriente hará que la corriente circule por las partes metálicas expuestas de la herramienta eléctrica y podrá soltar una descarga eléctrica al operario.
2. Asegúrese siempre de que el punto de apoyo de sus pies sea firme. Por otro lado, asegúrese de que no haya nadie debajo cuando esté utilizando la herramienta en lugares situados a una cierta altura del suelo.
3. Sostenga la herramienta firmemente.
4. Utilice protectores para los oídos.

**GUARDE ESTAS INSTRUCCIONES.**

**⚠ ADVERTENCIA:**

**NO** deje que la comodidad o familiaridad con el producto (a base de utilizarlo repetidamente) sustituya la estricta observancia de las normas de seguridad para el producto en cuestión.

**EL MAL USO** o el no seguir las normas de seguridad establecidas en este manual de instrucciones podrá ocasionar graves heridas personales.

## INSTRUCCIONES DE SEGURIDAD IMPORTANTES

### PARA CARTUCHO DE BATERÍA

1. Antes de utilizar el cartucho de batería, lea todas las instrucciones e indicaciones de precaución sobre (1) el cargador de baterías, (2) la batería, y (3) el producto con el que se utiliza la batería.
2. No desarme el cartucho de batería.
3. Si el tiempo de uso del cartucho de batería se acorta demasiado, deje de usarlo inmediatamente. Podría resultar en un riesgo de recalentamiento, posibles quemaduras e incluso una explosión.
4. Si entra electrólito en sus ojos, aclárelos con agua limpia y vea a un médico inmediatamente. Existe el riesgo de poder perder la vista.
5. No cortocircuite el cartucho de batería:
  - (1) No toque los terminales con ningún material conductor.
  - (2) Evite guardar el cartucho de batería en un cajón junto con otros objetos metálicos, tales como clavos, monedas, etc.
  - (3) No exponga el cartucho de batería al agua ni a la lluvia.

Un cortocircuito en la batería puede producir una gran circulación de corriente, un recalentamiento, posibles quemaduras e incluso una rotura de la misma.

6. No guarde la herramienta ni el cartucho de batería en lugares donde la temperatura pueda alcanzar o exceder los 50°C.
7. Nunca incinere el cartucho de batería incluso en el caso de que esté dañado seriamente o ya no sirva en absoluto.  
El cartucho de batería puede explotar si se tira al fuego.
8. Tenga cuidado de no dejar caer ni golpear el cartucho de batería.
9. No utilice una batería dañada.

### GUARDE ESTAS INSTRUCCIONES.

#### Consejos para alargar al máximo la vida de servicio de la batería

1. Cargue el cartucho de batería antes de que se descargue completamente.  
Pare siempre la operación y cargue el cartucho de batería cuando note menos potencia en la herramienta.
2. No cargue nunca un cartucho de batería que esté completamente cargado.  
La sobrecarga acortará la vida de servicio de la batería.
3. Cargue el cartucho de batería a temperatura ambiente de 10°C – 40°C. Si un cartucho de batería está caliente, déjelo enfriar antes de cargarlo.
4. Cargue el cartucho de batería una vez cada seis meses si no lo utiliza durante un periodo de tiempo prolongado.

## DESCRIPCIÓN DEL FUNCIONAMIENTO

### ⚠️ PRECAUCIÓN:

- Asegúrese siempre de que la herramienta esté apagada y el cartucho de batería extraído antes de realizar cualquier ajuste o comprobación en la herramienta.

### Instalación o desmontaje del cartucho de batería (Fig. 1)

- Apague siempre la herramienta antes de instalar o extraer el cartucho de batería.
- Para extraer el cartucho de batería, deslícelo de la herramienta a la vez que desliza el botón de la parte frontal del cartucho.
- Para instalar el cartucho de batería, alinee la lengüeta del cartucho de batería con la acanaladura del alojamiento y deslícelo hasta encajarlo en su sitio. Insértelo siempre a tope hasta que quede bloqueado en su sitio produciendo un chasquido. Si puede ver el indicador rojo en el lado superior del botón, no estará bloqueado completamente. Instálelo completamente hasta que no pueda verse el indicador rojo. De lo contrario, podrá caerse de la herramienta accidentalmente, pudiendo ocasionarle heridas a usted o a alguien cerca de usted.

No emplee fuerza cuando instale el cartucho de batería. Si el cartucho no se desliza al interior fácilmente, será porque no está siendo insertado correctamente.

### Sistema de protección de la batería (Cartucho de batería con una marca de estrella) (Fig. 2)

El cartucho de batería con una marca de estrella está equipado con el sistema de protección, que corta automáticamente la alimentación para asegurar una larga vida de servicio.

La herramienta se detendrá durante la operación cuando la herramienta y/o la batería sean puestas en una de las situaciones siguientes. Esto es causado por la activación del sistema de protección y no significa un problema de la herramienta.

- Cuando la herramienta está sobrecargada:  
En este momento, suelte el gatillo interruptor, quite el cartucho de batería y elimine las causas de la sobrecarga y después apriete el gatillo interruptor otra vez para reanudar.
- Cuando las celdas de la batería se calientan:  
Si realiza cualquier operación del gatillo interruptor, el motor permanecerá detenido.  
En este momento, deje de utilizar la herramienta y enfríe o cargue el cartucho de batería después de extraerlo de la herramienta.
- Cuando la capacidad de batería restante sea baja:  
Si realiza cualquier operación del gatillo interruptor, el motor permanecerá detenido.  
En este momento, extraiga el cartucho de batería de la herramienta y cárguelo.

### Accionamiento del interruptor (Fig. 3)

### ⚠️ PRECAUCIÓN:

- Antes de instalar el cartucho de batería en la herramienta, compruebe siempre para cerciorarse de que el gatillo interruptor se acciona debidamente y que vuelve a la posición "OFF" cuando lo suelta.

Para poner en marcha la herramienta, simplemente apriete el gatillo interruptor. La velocidad de la herramienta aumenta incrementando la presión en el gatillo interruptor. Suelte el gatillo interruptor para parar.

## Iluminación de la lámpara delantera (Fig. 4)

### ⚠️ PRECAUCIÓN:

- No mire a la luz ni vea la fuente de luz directamente.

Apriete el gatillo interruptor para encender la lámpara. La lámpara se mantendrá encendida mientras esté apretado el gatillo interruptor. La luz se apagará automáticamente 10 – 15 segundos después de soltar el gatillo interruptor.

### NOTA:

- Utilice un paño seco para quitar la suciedad de la lente de la lámpara. Tenga cuidado de no rayar la lente de la lámpara, porque podrá disminuir la iluminación.

## Accionamiento del interruptor de inversión (Fig. 5)

Esta herramienta tiene un interruptor de inversión para cambiar la dirección de giro. Presione hacia dentro la palanca del interruptor de inversión del lado A para giro hacia la derecha o del lado B para giro hacia la izquierda. Cuando la palanca del interruptor de inversión esté en la posición neutral, no se podrá apretar el gatillo interruptor.




### ⚠️ PRECAUCIÓN:

- Confirme siempre la dirección de giro antes de la operación.
- Utilice el interruptor de inversión solamente después de que la herramienta se haya parado completamente. Si cambia la dirección de giro antes de que la herramienta se haya parado podrá dañarla.
- Cuando no esté utilizando la herramienta, ponga siempre la palanca del interruptor de inversión en la posición neutral.

## Señal vacía para la capacidad de batería restante (Fig. 6)

Detenga la herramienta y con la herramienta detenida pulse el botón del panel del interruptor y la capacidad de batería restante será señalada en el panel.

En la tabla de abajo se muestra el estado visualizado en el panel del interruptor y la capacidad de batería restante.

Estado del indicador LED	Capacidad de batería restante
	Aprox. 50% o más
	Aprox. 20% - 50%
	Aprox. menos del 20%

### NOTA:

- Antes de comprobar la capacidad de batería restante, asegúrese de detener la herramienta.

## MONTAJE

### ⚠️ PRECAUCIÓN:

- Asegúrese siempre de que la herramienta esté apagada y el cartucho de batería extraído antes de realizar cualquier trabajo en la herramienta.

## Instalación o desmontaje de la punta o punta de tubo

Utilice solamente puntas que tengan la porción de inserción mostrada en la figura. (Fig. 7)

### Para herramienta con agujero de punta corto

A = 12 mm B = 9 mm	Utilice solamente estos tipos de puntas. Siga el procedimiento (1). (Nota) No es necesario el adaptador de punta de atornillar.
-----------------------	---

### Para herramienta con agujero de punta profundo

A = 17 mm B = 14 mm	Para instalar estos tipos de puntas, siga el procedimiento (1).
A = 12 mm B = 9 mm	Para instalar estos tipos de puntas, siga el procedimiento (2). (Nota) Es necesario el adaptador de punta para instalar la punta.

1. Para instalar la punta, tire del manguito e inserte la punta a tope en el manguito. (Fig. 8)
2. Para instalar la punta, inserte el adaptador de punta y la punta de atornillar a tope en el manguito. El adaptador de punta de atornillar deberá ser insertado en el manguito con su extremo puntiagudo hacia el interior. Después suelte el manguito para sujetar la punta. (Fig. 9)

Para desmontar la punta, tire del manguito y saque la punta.

### NOTA:

- Excepto Europa, para los demás países no es necesario tirar del manguito al instalar la punta.
- Si la punta no está suficientemente insertada en el manguito, el manguito no retornará a su posición original y la punta no quedará bien sujeta. En este caso, intente reinsertando la punta de acuerdo con las instrucciones indicadas arriba.
- Cuando resulte difícil insertar la punta, tire del manguito e insértela en el manguito a tope.
- Después de insertar la punta, asegúrese de que está firmemente sujeta. Si se sale, no la utilice.

## Gancho (Fig. 10)

El gancho resulta útil para colgar temporalmente la herramienta. Se puede instalar en cualquiera de los lados de la herramienta.

Para instalar el gancho, insértelo en una ranura de cualquiera de los costados del alojamiento de la herramienta y después sujételo con un tornillo. Para quitarlo, afloje el tornillo y después sáquelo.

## OPERACIÓN

La torsión de apriete apropiada podrá variar dependiendo del tipo o tamaño del tornillo/perno, el material de la pieza de trabajo a apretar, etc. La relación entre la torsión de apriete y el tiempo de apriete se muestra en las figuras. (**Fig. 11, 12 y 13**)

Sujete la herramienta firmemente y coloque la punta de la punta de atornillar en la cabeza del tornillo. Aplique presión frontal a la herramienta suficiente como para que la punta no se deslice del tornillo y encienda la herramienta para comenzar la operación.

### NOTA:

- Utilice la punta apropiada para la cabeza del tornillo/perno que desee utilizar.
- Cuando esté apretando un tornillo M8 o más pequeño, ajuste cuidadosamente la presión en el gatillo interruptor para no dañar el tornillo.
- Sujete la herramienta dirigida en línea recta al tornillo.
- Si aprieta el tornillo durante más tiempo que el mostrado en las figuras, el tornillo o la punta de la punta de atornillar podrá sobrefatigarse, estropearse, dañarse, etc. Antes de comenzar la tarea, realice siempre una operación de prueba para determinar el tiempo de apriete apropiado para el tornillo que quiere apretar.
- Si utiliza una batería de repuesto para continuar la operación, deje descansar la herramienta 15 minutos por lo menos.

La torsión de apriete se verá afectada por una amplia variedad de factores, incluidos los siguientes. Después de apretar, compruebe siempre la torsión con una llave dinamométrica.

1. Cuando el cartucho de batería esté casi completamente descargado, caerá la tensión y se reducirá la torsión de apriete.
2. Punta de atornillar o punta de tubo  
El no utilizar el tamaño correcto de punta de atornillar o punta de tubo ocasionará una reducción de la torsión de apriete.
3. Perno
  - Aunque el coeficiente de torsión y la clase de perno sean iguales, la torsión de apriete apropiada variará de acuerdo con el diámetro del perno.
  - Aunque los diámetros de los pernos sean iguales, la torsión de apriete apropiada variará de acuerdo con el coeficiente de torsión, la clase de perno y la longitud del perno.
4. La manera de sujetar la herramienta o el material de la posición a atornillar afectarán a la torsión.
5. La operación de la herramienta a baja velocidad ocasionará una reducción de la torsión de apriete.

## MANTENIMIENTO

### ⚠PRECAUCIÓN:

- Asegúrese siempre de que la herramienta esté apagada y el cartucho de batería extraído antes de intentar realizar una inspección o mantenimiento.
- No utilice nunca gasolina, bencina, disolvente, alcohol o similares. Podría producir descoloración, deformación o grietas.

### Substitución de las escobillas de carbón

Reemplácelas cuando se hayan desgastado hasta la marca límite. Mantenga las escobillas de carbón limpias de forma que entren libremente en los portaescobillas. Deberán reemplazarse ambas escobillas de carbón al mismo tiempo. Utilice únicamente escobillas de carbón idénticas. (**Fig. 14**)

Utilice un destornillador para quitar los dos tornillos y después quite la cubierta posterior. (**Fig. 15**)

Levante la parte del brazo del resorte y después póngala en la parte rebajada del alojamiento con un destornillador de punta plana de eje largo y fino o similar. (**Fig. 16**)

Utilice unos alicates para quitar las tapas de las escobillas de carbón. Extraiga las escobillas de carbón desgastadas, inserte las nuevas y vuelva a colocar la tapa de la escobilla de carbón en sentido inverso. (**Fig. 17**)

Asegúrese de colocar el hilo conductor en el lado opuesto al brazo. (**Fig. 18**)

Asegúrese de que las tapas de las escobillas de carbón encajen en los orificios de los portaescobillas firmemente. (**Fig. 19**)

Vuelva a instalar la cubierta posterior y apriete los dos tornillos firmemente.

Para mantener la SEGURIDAD y la FIABILIDAD del producto, las reparaciones y cualquier otro mantenimiento o ajuste deberán ser realizados por los centros de servicio autorizado de Makita, siempre con piezas de repuesto de Makita.

## ACCESORIOS OPCIONALES

### ⚠PRECAUCIÓN:

- Estos accesorios o aditamentos están recomendados para su uso con la herramienta Makita especificada en este manual. El uso de cualquier otro accesorio o aditamento puede suponer un riesgo de lesiones personales. Utilice el accesorio o aditamento exclusivamente para su uso declarado.

Si necesita información más detallada sobre estos accesorios, consulte con su centro local de servicio de Makita.

- Puntas de atornillar
- Gancho
- Maletín de transporte de plástico
- Diferentes tipos de baterías y cargadores genuinos de Makita
- Protector de batería

### NOTA:

- Algunos elementos de la lista podrán estar incluidos en el paquete de la herramienta como accesorios estándar. Pueden variar de un país a otro.

**Ruido**

El nivel de ruido A-ponderado típico determinado de acuerdo con la norma EN60745:

**Modelo DTD134**

Nivel de presión sonora ( $L_{pA}$ ): 92 dB (A)  
 Nivel de potencia sonora ( $L_{WA}$ ): 103 dB (A)  
 Incerteza (K): 3 dB (A)

**Modelo DTD146**

Nivel de presión sonora ( $L_{pA}$ ): 93 dB (A)  
 Nivel de potencia sonora ( $L_{WA}$ ): 104 dB (A)  
 Incerteza (K): 3 dB (A)

**Póngase protectores en los oídos**

ENG900-1

**Vibración**

El valor total de la vibración (suma de vectores triaxiales) determinado de acuerdo con la norma EN60745:

**Modelo DTD134**

Modo tarea: apretado por impacto de tornillos de la máxima capacidad de la herramienta  
 Emisión de vibración ( $a_h$ ): 12,0 m/s<sup>2</sup>  
 Incerteza (K): 1,5 m/s<sup>2</sup>

**Modelo DTD146**

Modo tarea: apretado por impacto de tornillos de la máxima capacidad de la herramienta  
 Emisión de vibración ( $a_h$ ): 15,5 m/s<sup>2</sup>  
 Incerteza (K): 2,0 m/s<sup>2</sup>

ENG901-1

- El valor de emisión de vibración declarado ha sido medido de acuerdo con el método de prueba estándar y se puede utilizar para comparar una herramienta con otra.
- El valor de emisión de vibración declarado también se puede utilizar en una valoración preliminar de exposición.

**⚠️ ADVERTENCIA:**

- La emisión de vibración durante la utilización real de la herramienta eléctrica puede variar del valor de emisión declarado dependiendo de las formas en las que la herramienta sea utilizada.
- Asegúrese de identificar medidas de seguridad para proteger al operario que estén basadas en una estimación de la exposición en las condiciones reales de utilización (teniendo en cuenta todas las partes del ciclo operativo tal como las veces cuando la herramienta está apagada y cuando está funcionando en vacío además del tiempo de gatillo).

**Para países europeos solamente****Declaración de conformidad CE**

**Makita Corporation como fabricante responsable declara que la(s) siguiente(s) máquina(s) de Makita:**

Designación de máquina:  
 Atornillador de Impacto Inalámbrico  
 Modelo N°/Tipo: DTD 134, DTD146  
 son producidas en serie y

**Cumplen con las directivas europeas siguientes:**  
 2006/42/EC

Y que están fabricadas de acuerdo con las normas o documentos normalizados siguientes:  
 EN60745

Los documentos técnicos los guarda nuestro representante autorizado en Europa cuya persona es:

Makita International Europe Ltd.  
 Michigan Drive, Tongwell,  
 Milton Keynes, Bucks MK15 8JD, Inglaterra

24.1.2011



Tomoyasu Kato  
 Director

Makita Corporation  
 3-11-8, Sumiyoshi-cho,  
 Anjo, Aichi, 446-8502, JAPAN



**Explicação geral**

1	Indicador vermelho	10	Manga	19	Marca limite
2	Botão	11	Extensão da broca	20	Parafusos
3	Bateria	12	Gancho	21	Cobertura traseira
4	Marca de estrela	13	Parafuso	22	Mola
5	Gatilho	14	Perno normal	23	Braço
6	Lâmpada	15	Binário de aperto	24	Parte retraída
7	Alavanca interruptora de inversão	16	Binário de aperto adequado	25	Tampa da escova de carvão
8	Indicador LED	17	Tempo de aperto	26	Fio eléctrico
9	Broca	18	Parafuso de grande elasticidade	27	Orifício

**ESPECIFICAÇÕES**

Modelo		DTD134	DTD146
Capacidades	Parafuso de precisão	4 mm – 8 mm	
	Perno normal	5 mm – 14 mm	
	Parafuso de grande elasticidade	5 mm – 12 mm	
Velocidade em vazio (min <sup>-1</sup> )		0 – 2.400	0 – 2.300
Impactos por minuto		0 – 3.200	
Comprimento total		138 mm	
Peso líquido		1,2 kg (com a bateria BL1415) 1,4 kg (com a bateria BL1430/BL1440)	1,3 kg (com a bateria BL1815/BL1815N) 1,5 kg (com a bateria BL1830/BL1840)
Voltagem nominal		14,4 V CC	18 V CC

GEB054-1

- Devido ao nosso programa contínuo de pesquisa e desenvolvimento, as características indicadas neste documento estão sujeitas a alterações sem aviso prévio.
- As especificações e a bateria podem variar de país para país.
- Peso, com a bateria, de acordo com o Procedimento 01/2003 da EPTA (European Power Tool Association)

ENE033-1

**Utilização a que se destina**

A ferramenta foi concebida para aparafusamento em madeira, metal e plástico.

GEA010-1

**Avisos gerais de segurança para ferramentas eléctricas**

**⚠️ AVISO!** Leia todas as avisos de segurança e todas as instruções. O não cumprimento de todos os avisos e instruções pode originar choque eléctrico, incêndio e/ou ferimentos graves.

**Guarde todos os avisos e instruções para futuras referências.**

**AVISOS DE SEGURANÇA PARA A PARAFUSADEIRA DE IMPACTO A BATERIA**

1. **Agarre na ferramenta eléctrica pelas partes isoladas quando executa uma operação em que o parafuso possa entrar em contacto com fios ocultos.** O contacto do parafuso com um fio "ligado" poderá carregar as partes metálicas da ferramenta e causar choque eléctrico no operador.
2. **Certifique-se sempre de que tem os pés bem assentes.** **Certifique-se de que não está ninguém por baixo quando utilizar a ferramenta em locais altos.**
3. **Segure a ferramenta firmemente.**
4. **Use protectores nos ouvidos.**

**GUARDE ESTAS INSTRUÇÕES.****⚠️ AVISO:**

**NÃO** permita que conforto ou familiaridade com o produto (adquirido com o uso repetido) substitua a aderência estrita às regras de segurança da ferramenta.

**MÁ INTERPRETAÇÃO** ou não seguimento das regras de segurança estabelecidas neste manual de instruções pode causar danos pessoais sérios.

## DESCRIÇÃO FUNCIONAL

### ⚠️ PRECAUÇÃO:

- Certifique-se sempre de que a ferramenta está desligada e a bateria retirada antes de regular ou verificar qualquer função na ferramenta.

### Instalar ou retirar a bateria (Fig. 1)

- Desligue sempre a ferramenta antes de instalar ou retirar a bateria.
- Para retirar a bateria, deslize-a da ferramenta deslizando o botão na parte da frente da bateria.
- Para instalar a bateria, alinhe a lingueta na bateria com a ranhura na caixa e deslize-a para o seu lugar. Coloque-a sempre completamente até que faça um clique no seu lugar. Se conseguir ver o indicador vermelho no lado superior do botão, não está completamente colocada. Instale-a completamente até que não possa ver o indicador vermelho. Se assim não for, pode acidentalmente cair da ferramenta ferindo-o a si ou alguém próximo.

Não utilize força quando instala a bateria. Se a bateria não deslizar facilmente é porque não foi colocada correctamente.

### Sistema de protecção da bateria (Bateria com a marca de estrela) (Fig. 2)

A bateria com a marca de estrela é equipada com um sistema de protecção que desactiva o consumo de energia automaticamente a fim de prolongar a sua vida útil.

A ferramenta para durante o funcionamento se a mesma e/ou a bateria se encontrar nas seguintes circunstâncias. Isto é devido à activação do sistema de protecção e não é sinal de avaria.

- Se ocorrer a sobrecarga da ferramenta:
  - Liberte o gatilho do interruptor, retire a bateria, elimine a causa da sobrecarga e carregue no gatilho do interruptor outra vez para reiniciar.
- Se a bateria esquentar:
  - Ao tentar fazer qualquer operação através do gatilho do interruptor, o motor não funciona.
  - Neste momento, pare de usar a ferramenta e aguarde até arrefecer ou recarregue a bateria depois de retirá-la da ferramenta.
- Se a carga restante da bateria estiver baixa:
  - Ao tentar fazer qualquer operação através do gatilho do interruptor, o motor não funciona.
  - Neste momento, retire a bateria da ferramenta e recarregue-a.

### Acção do interruptor (Fig. 3)

### ⚠️ PRECAUÇÃO:

- Antes de instalar a bateria na ferramenta, verifique que o gatilho funciona correctamente e volta para a posição "OFF" quando libertado.

Para iniciar a ferramenta, carregue simplesmente no gatilho. A velocidade da ferramenta aumenta quando aumenta a pressão no gatilho. Liberte o gatilho para parar.

## IMPORTANTES INSTRUÇÕES DE SEGURANÇA

### PARA A BATERIA

1. Antes de utilizar a bateria, leia todas as instruções e etiquetas de precaução no (1) carregador de bateria (2) bateria e (3) produto que utiliza a bateria.
2. Não abra a bateria.
3. Se o tempo de funcionamento se tornar excessivamente curto, pare o funcionamento imediatamente. Pode resultar em sobreaquecimento, possíveis queimaduras e mesmo explosão.
4. Se entrar electrólito nos seus olhos, lave-os com água e consulte imediatamente um médico. Pode resultar em perda de visão.
5. Não corte-circuite a bateria:
  - (1) Não toque nos terminais com qualquer material condutor.
  - (2) Evite guardar a bateria juntamente com outros objectos metálicos tais como pregos, moedas, etc.
  - (3) Não exponha a bateria à água ou chuva. Um curto-circuito pode ocasionar um enorme fluxo de corrente, sobreaquecimento, possíveis queimaduras e mesmo estragar-se.
6. Não guarde a ferramenta e a bateria em locais onde a temperatura pode atingir ou exceder 50°C.
7. Não queime a bateria mesmo que esteja estragada ou completamente gasta. A bateria pode explodir no fogo.
8. Tenha cuidado para não deixar cair ou dar pancadas na bateria.
9. Não utilize uma bateria danificada.

### GUARDE ESTAS INSTRUÇÕES.

#### Conselhos para manter a máxima vida útil da bateria

1. Carregue a bateria antes que esteja completamente descarregada. Pare sempre o funcionamento da ferramenta e carregue a bateria quando notar menos poder na ferramenta.
2. Nunca carregue uma bateria completamente carregada. Carregamento excessivo diminui a vida útil da bateria.
3. Carregue a bateria à temperatura ambiente de 10°C – 40°C. Deixe que uma bateria quente arrefeça antes de a carregar.
4. Carregue a bateria uma vez a cada seis meses se não for utilizá-la por um longo período de tempo.

#### Acender a lâmpada da frente (Fig. 4)

##### **PRECAUÇÃO:**

- Não olhe para a luz ou para a fonte de iluminação directamente.

Puxe o gatilho do interruptor para fazer acender a lâmpada. A lâmpada mantém-se acesa enquanto estiver a carregar no gatilho do interruptor.

A luz apaga-se automaticamente 10 – 15 segundos depois de soltar o gatilho do interruptor.

##### **NOTA:**

- Utilize um pano seco para limpar a sujidade das lentes da lâmpada. Tenha cuidado para não riscar as lentes da lâmpada ou pode diminuir a iluminação.

#### Ação do interruptor de inversão (Fig. 5)

Esta ferramenta tem um interruptor de inversão para mudar a direcção de rotação. Pressione a alavanca do interruptor de inversão no lado A para rotação para a direita e no lado B para rotação para a esquerda.

Quando a alavanca do interruptor de inversão está na posição neutra, não pode carregar no gatilho.




##### **PRECAUÇÃO:**

- Verifique sempre a direcção de rotação antes da operação.
- Só utilize o interruptor de inversão depois da ferramenta estar completamente parada. Mudar a direcção de rotação antes da ferramenta parar pode estragar a ferramenta.
- Quando não funciona com a ferramenta, coloque sempre a alavanca do interruptor de inversão na posição neutra.

#### Indicação de bateria descarregada (Fig. 6)

Desligue a ferramenta e, enquanto desligada, carregue no botão localizado no painel do interruptor; a carga restante da bateria será indicada no painel.

A condição indicada no painel do interruptor e a carga restante da bateria são mostradas na tabela abaixo.

Condição do indicador LED	Carga restante da bateria
	Cerca de 50% ou mais
	Cerca de 20% a 50%
	Cerca de 20% ou menos

##### **NOTA:**

- Desligue a ferramenta antes de verificar a carga restante da bateria.

#### ASSEMBLAGEM

##### **PRECAUÇÃO:**

- Certifique-se sempre de que a ferramenta está desligada e a bateria retirada antes de executar qualquer manutenção na ferramenta.

#### Instalar ou retirar a broca de aparafusar ou a broca de contacto

Utilize só brocas que tenham a parte de inserção como mostrado na figura. (Fig. 7)

##### Para ferramenta com furo de broca raso

A = 12 mm B = 9 mm	Utilize só estes tipos de broca. Execute o procedimento (1). (Nota) Não necessita de extensão da broca.
-----------------------	---

##### Para ferramenta com furo de broca profundo

A = 17 mm B = 14 mm	Para instalar estes tipos de broca, execute o procedimento (1).
A = 12 mm B = 9 mm	Para instalar estes tipos de broca, execute o procedimento (2). (Nota) Necessita de extensão da broca para instalar a broca.

1. Para instalar a broca, puxe a manga e coloque a broca na manga o mais fundo possível. (Fig. 8)
2. Para instalar a broca, coloque a extensão da broca e a broca na manga o mais fundo possível. A extensão da broca deve ser colocada na manga com a extremidade pontiaguda virada para dentro. Em seguida solte a manga para prender a broca. (Fig. 9)

Para retirar a broca, puxe a manga e puxe a broca para fora.

##### **NOTA:**

- Excepto nos países Europeus, não é necessário puxar a manga ao instalar a broca.
- Se a broca não estiver colocada suficientemente funda na manga, a manga não voltará para a sua posição original e a broca não ficará presa. Neste caso, volte a colocar a broca de acordo com as instruções acima.
- Se for difícil colocar a broca, puxe a manga e coloque a broca na manga o mais fundo possível.
- Depois de colocar a broca, certifique-se de que esteja presa firmemente. Se sair, não a utilize.

#### Gancho (Fig. 10)

O gancho é conveniente para pendurar temporariamente a ferramenta. Pode ser instalado em qualquer dos lados da ferramenta.

Para instalar o gancho, coloque-o na ranhura no corpo da ferramenta em qualquer um dos lados e prenda-o com um parafuso. Para o retirar, solte os parafusos e retire-o.

## OPERAÇÃO

O binário de aperto adequado pode diferir dependendo do tipo e tamanho do parafuso/perno, o material da peça de trabalho a ser apertado, etc. A relação entre o binário de aperto e o tempo de aperto é indicada nas figuras. (Fig. 11, 12 e 13)

Agarre na ferramenta firmemente e coloque a ponta da broca de aparafusar na cabeça do parafuso. Aplique pressão para a frente na ferramenta de modo a que a broca não deslize para fora do parafuso e ligue a ferramenta para começar a operação.

### NOTA:

- Utilize a broca correcta para a cabeça do parafuso/perno que deseja utilizar.
- Quando aparafusa um parafuso M8 ou mais pequeno, regule cuidadosamente a pressão no gatilho de modo a que não estrague o parafuso.
- Agarre na ferramenta apontada directo para o parafuso.
- Se apertar o parafuso durante um tempo superior ao indicado nas figuras, o parafuso ou a ponta da broca de aparafusar pode sofrer pressão excessiva, estilhaçar, estragar-se, etc. Antes de iniciar o trabalho, faça sempre um teste para determinar o tempo de aperto apropriado para o parafuso.
- Quando utilizar uma bateria sobressalente para continuar o funcionamento, deixe a ferramenta descansar pelo menos 15 minutos.

O binário de aperto é afectado por uma enorme variedade de factores incluindo o seguinte. Depois do aperto, verifique sempre o binário com uma chave de binário.

1. Quando a bateria está quase completamente descarregada, a voltagem cairá e o binário de aperto será reduzido.
2. Broca de aparafusar ou broca de contacto  
A não utilização do tamanho correcto da broca de aparafusar ou broca de contacto causará redução no binário de aperto.
3. Perno
  - Mesmo que o coeficiente do binário e o tipo do perno sejam o mesmo, o binário de aperto adequado será diferente de acordo com o diâmetro do perno.
  - Mesmo que os diâmetros dos pernos sejam os mesmos, o binário de aperto adequado será diferente de acordo com o coeficiente do binário, o tipo e comprimento do perno.
4. O modo de pegar na ferramenta ou o material na posição a ser aparafusada afectará o binário.
5. Funcionar com a ferramenta a baixa velocidade causará redução do binário de aperto.

## MANUTENÇÃO

### ⚠ PRECAUÇÃO:

- Certifique-se sempre de que a ferramenta está desligada e a bateria retirada antes de tentar executar qualquer inspecção ou manutenção.
- Nunca utilize gasolina, benzina, diluente, álcool ou produtos semelhantes. Pode ocorrer a descoloração, deformação ou rachaduras.

### Substituição das escovas de carvão

Substitua-as quando estiverem gastas até à marca limite. Mantenha as escovas de carvão limpas e a deslizar livremente nos suportes. As duas escovas de carvão devem ser substituídas ao mesmo tempo. Utilize só escovas de carvão idênticas. (Fig. 14)

Utilize uma chave de parafusos para retirar os dois parafusos e em seguida retire a cobertura traseira. (Fig. 15) Levante o braço do suporte da mola e em seguida coloque-o na parte traseira do corpo com uma broca de aparafusar com calha de bloqueio curto ou semelhante. (Fig. 16)

Utilize pinças para retirar as tampas das escovas de carvão. Retire as escovas de carvão usadas, coloque as novas e substitua inversamente a tampa da escova de carvão. (Fig. 17)

Certifique-se de colocar o fio eléctrico no lado oposto ao braço. (Fig. 18)

Assegure-se de que as tampas das escovas de carvão se encaixam firmemente nos orifícios dos porta-escovas. (Fig. 19)

Volte a instalar a cobertura traseira e aperte firmemente os dois parafusos.

Para manter a SEGURANÇA e FIABILIDADE, as reparações e outras acções de manutenção ou ajustes devem ser executados pelos Centros de assistência autorizados da Makita, utilizando sempre peças de substituição Makita.

## ACESSÓRIOS OPCIONAIS

### ⚠ PRECAUÇÃO:

- Estes acessórios ou peças são recomendados para utilização com a ferramenta Makita especificada neste manual. A utilização de outros acessórios ou peças pode ser perigosa para as pessoas. Utilize apenas acessórios ou peças para os fins indicados.

Se precisar de ajuda para obter mais informações relativos a estes acessórios, entre em contacto com o centro de assistência Makita local.

- Brocas espirais
- Gancho
- Caixa de plástico para transporte
- Vários tipos de baterias genuínas da Makita e carregadores
- Protetor da bateria

### NOTA:

- Alguns itens da lista podem estar incluídos na embalagem da ferramenta como acessórios padrão. Eles podem variar de país para país.

**Ruído**

A característica do nível de ruído A determinado de acordo com EN60745:

**Modelo DTD134**

Nível de pressão de som ( $L_{pA}$ ): 92 dB (A)

Nível do som ( $L_{WA}$ ): 103 dB (A)

Variabilidade (K): 3 dB (A)

**Modelo DTD146**

Nível de pressão de som ( $L_{pA}$ ): 93 dB (A)

Nível do som ( $L_{WA}$ ): 104 dB (A)

Variabilidade (K): 3 dB (A)

**Utilize protectores para os ouvidos**

ENG900-1

**Vibração**

Valor total da vibração (soma vectorial tri-axial) determinado conforme EN60745:

**Modelo DTD134**

Modo de funcionamento: aperto com impacto de

parafusos de capacidade máxima da ferramenta

Emissão de vibração ( $a_h$ ): 12,0 m/s<sup>2</sup>

Variabilidade (K): 1,5 m/s<sup>2</sup>

**Modelo DTD146**

Modo de funcionamento: aperto com impacto de

parafusos de capacidade máxima da ferramenta

Emissão de vibração ( $a_h$ ): 15,5 m/s<sup>2</sup>

Variabilidade (K): 2,0 m/s<sup>2</sup>

ENG901-1

- O valor da emissão de vibração indicado foi medido de acordo com o método de teste padrão e pode ser utilizado para comparar duas ferramentas.
- O valor da emissão de vibração indicado pode também ser utilizado na avaliação preliminar da exposição.

**⚠️ AVISO:**

- A emissão de vibração durante a utilização real da ferramenta eléctrica pode diferir do valor de emissão indicado, dependendo das formas como a ferramenta é utilizada.
- Certifique-se de identificar as medidas de segurança para protecção do operador que sejam baseadas em uma estimativa de exposição em condições reais de utilização (considerando todas as partes do ciclo de operação, tal como quando a ferramenta está desligada e quando está a funcionar em marcha lenta além do tempo de accionamento).

**Só para países Europeus****Declaração de conformidade CE**

**Nós, a Makita Corporation, fabricante responsável, declaramos que a(s) seguinte(s) ferramenta(s)**

**Makita:**

Designação da ferramenta:

Parafusadeira de Impacto a Bateria

Modelos n.º/Tipo: DTD134, DTD146

são de produção de série e

**Em conformidade com as seguintes directivas europeias:**

2006/42/EC

E estão fabricados de acordo com as seguintes normas ou documentos normativos:

EN60745

A documentação técnica é mantida pelo nosso representante autorizado na Europa:

Makita International Europe Ltd.

Michigan Drive, Tongwell,

Milton Keynes, Bucks MK15 8JD, Inglaterra

24.1.2011



Tomoyasu Kato  
Director

Makita Corporation  
3-11-8, Sumiyoshi-cho,  
Anjo, Aichi, 446-8502, JAPAN

**Illustrationsoversigt**

1 Rød indikator	10 Muffe	19 Slidmarkering
2 Knap	11 Bitholder	20 Skruer
3 Akku	12 Krog	21 Bagdæksel
4 Stjernemærke	13 Skrue	22 Fjeder
5 Afbryderknap	14 Standardbolt	23 Arm
6 Lampe	15 Drejningsmoment	24 Indsunken del
7 Omløbsvælger	16 Korrekte drejningsmoment	25 Kulbørstehætte
8 LED-indikator	17 Fastspændingstid	26 Ledningstråd
9 Bit	18 Højstyrkebolt	27 Hul

**SPECIFIKATIONER**

Model		DTD134	DTD146
Kapacitet	Maskinskruer	4 mm – 8 mm	
	Standardbolt	5 mm – 14 mm	
	Højstyrkebolt	5 mm – 12 mm	
Omdrejninger ubelastet (min <sup>-1</sup> )		0 – 2 400	0 – 2 300
Slag per minut		0 – 3 200	
Længde		138 mm	
Vægt		1,2 kg (med akku BL1415)	1,3 kg (med akku BL1815/BL1815N)
		1,4 kg (med akku BL1430/BL1440)	1,5 kg (med akku BL1830/BL1840)
Spænding		DC 14,4 V	DC 18 V

- På grund af vores kontinuerlige forsknings- og udviklingsprogrammer kan hosstående specifikationer blive ændret uden varsel.
- Specifikationer og akku kan variere fra land til land.
- Vægt inklusive akku, i henhold til EPTA-Procedure 01/2003

GEB054-1

ENE033-1

**Tilsigtet anvendelse**

Denne maskine er beregnet til skruring i træ, metal og plastmaterialer.

GEA010-1

**Almindelige sikkerhedsregler for el-værktøj**

**⚠ ADVARSEL! Læs alle sikkerhedsadvarsler og alle sikkerhedsinstruktioner.** Hvis nedenstående advarsler og instruktioner ikke overholdes, kan resultatet blive elektrisk stød, brand og/eller alvorlig personskade.

**Gem alle advarsler og instruktioner til fremtidig reference.**

**SIKKERHEDSADVARSLER FOR AKKU SLAGSKRUETRÆKKER**

1. **Hold kun maskinen i de isolerede grebflader, når De udfører arbejde, hvor fastgøringsanordningen kan komme i kontakt med skjulte ledninger.** Fastgørelsesanordninger, som kommer i kontakt med en strømførende ledning kan gøre uafdækkede metaldele på maskinen strømførende og give operatøren stød.
2. **Sørg for at stå på et fast underlag. Sørg for at der ikke opholder sig personer under arbejdsområdet, når De arbejder i højden.**
3. **Hold maskinen fast.**
4. **Brug høreværn.**

**GEM DISSE FORSKRIFTER.**

**⚠ ADVARSEL:**

**LAD IKKE bekvemmelighed eller kendskab til produktet (opnået gennem gentagen brug) forhindre, at sikkerhedsforskrifterne for produktet nøje overholdes.**

**MISBRUG eller forsømmelse af at følge de i denne brugsvejledning givne sikkerhedsforskrifter kan føre til, at De kommer alvorligt til skade.**

## VIGTIGE SIKKERHEDSFORSKRIFTER

### FOR AKKU

1. Læs alle instruktioner og advarselmærkater på (1) akku opladeren, (2) akku og (3) produktet, som anvender akku.
2. Lad være med at skille akkuen ad.
3. Hold straks op med at anvende opladeren, hvis brugstiden er blevet stærkt afkortet. Fortsat anvendelse kan resultere i risiko for overophedning, forbrændinger og endog eksplosion.
4. Hvis du har fået elektrolytvæske i øjnene, skal du straks skylle den ud med rent vand og derefter øjeblikkeligt søge lægehjælp. I modsat fald kan resultatet blive, at du mister synet.
5. Vær påpasselig med ikke at komme til at kortslutte akkuen:
  - (1) Rør ikke ved terminalerne med noget ledende materiale.
  - (2) Undgå at opbevare akkuen i en beholder sammen med andre genstande af metal, som for eksempel søm, mønter og lignende.
  - (3) Udsæt ikke akkuen for vand eller regn. Kortslutning af akkuen kan være årsag til en kraftig øgning af strømmen, overophedning, mulige forbrændinger og endog maskinstop.
6. Opbevar ikke maskinen og akkuen på et sted, hvor temperaturen kan nå eller overstige 50°C.
7. Lad være med at brænde akkuen, selv ikke i tilfælde, hvor det har lidt alvorlig skade eller er fuldstændig udtjent. Akkuen kan eksplodere, hvis man forsøger at brænde den.
8. Lad være med at brænde akkuen eller udsætte den for stød.
9. Anvend ikke en beskadiget akku.

### GEM DISSE FORSKRIFTER.

#### Tips til opnåelse af maksimal akku-levetid

1. Oplad altid akkuen, inden den er helt afladet. Stop altid maskinen og oplad akkuen, hvis det bemærkes, at maskineffekten er dalende.
2. Genoplad aldrig en fuldt opladet akku. Overopladning vil afkorte akkuens levetid.
3. Oplad akkuen ved stuetemperatur ved 10°C – 40°C. Lad altid en varm akku få tid til at køle af, inden den oplades.
4. Oplad akkuen en gang hver sjette måned, hvis den ikke anvendes i et længere tidsrum.

### ⚠️ FORSIGTIG:

- Sørg altid for at maskinen er slukket, og at akkuen er taget ud, før der udføres justering eller kontrol af funktioner på maskinen.

### Isætning og udtagning af akku (Fig. 1)

- Sluk altid for maskinen, før akkuen installeres eller tages ud.
- Akkuen fjernes ved at man skyder den ud af maskinen, mens man skyder knappen foran på akkuen i stilling.
- Installer akkuen ved at rette dens tunge ind efter rillen i huset. Skyd derefter akkuen helt ind, til den låser på plads med et lille klik. Hvis den røde indikator kan ses på den øverste side af knappen, er den ikke helt låst. Monter den således, at den røde indikator ikke kan ses. Hvis akkuen ikke sættes i på denne måde, kan den ved et uheld falde ud af maskinen, og eventuelt forvolde personskaade på Dem selv eller andre.

Brug aldrig magt, når akkuen installeres. Hvis ikke akkuen glider i uden besvær, er det fordi, at den vender forkert.

### Akkubeskyttelsessystem (akku med et stjernemærke) (Fig. 2)

Akkuen med et stjernemærke er udstyret med et beskyttelsessystem, som automatisk afbryder outputstrømmen, således at akkuens levetid bliver længere.

Maskinen stopper under driften, hvis maskinen og/eller akkuen kommer i den følgende situation. Dette forårsages af aktivering af beskyttelsessystemet og er ikke tegn på problemer med maskinen.

- Hvis maskinen er overbelastet:
  - Slip på dette tidspunkt afbryderknappen, fjern akkuen og eliminer årsagerne til overbelastningen og tryk derefter afbryderknappen ind igen for at starte igen.
- Hvis akkuen celler bliver varme:
  - Hvis afbryderknappen forsøges anvendt, vil motoren forblive stoppet.
  - Hold på dette tidspunkt op med at bruge maskinen og afkøl eller oplad akkuen, efter at den er fjernet fra maskinen.
- Hvis den tilbageværende akku-kapacitet er blevet lav:
  - Hvis afbryderknappen forsøges anvendt, vil motoren forblive stoppet.
  - Fjern på dette tidspunkt akkuen fra maskinen og oplad den.

### Afbryderbetjening (Fig. 3)

#### ⚠️ FORSIGTIG:

- Inden akkuen installeres i maskinen, bør De altid kontrollere, at afbryderknappen fungerer korrekt og returnerer til "OFF" positionen, når den slippes.

For at starte maskinen trykkes der blot på afbryderknappen. Maskinens hastighed øges ved at øge trykket på afbryderknappen. Slip afbryderknappen for at stoppe.

## Foran lampens lys (Fig. 4)

### ⚠ FORSIGTIG:

- Kig aldrig direkte på lyskilden. Lad ikke lyset falde i Deres øjne.

Tryk afbryderknappen ind for at tænde lampen. Lampen bliver ved med at lyse, så længe afbryderknappen holdes inde. Lyser slukker automatisk efter 10 – 15 sekunder, når afbryderknappen slippes.

### BEMÆRK:

- Anvend en tør klud til at tørre snavs af lampens linse. Undgå at ridse lampens linse, da det kan nedsætte lysstyrken.

## Omløbsvælgerbetjening (Fig. 5)

Denne maskinen har en omløbsvælger til at skifte omløbsretning. Skub omløbsvælgeren ind fra A-siden for omdrejning med uret, og fra B-siden for omdrejning mod uret.

Når omløbsvælgeren er i neutral stilling, kan afbryderknappen ikke trykkes ind.




### ⚠ FORSIGTIG:

- Kontrollér altid omløbsretningen, inden arbejdet påbegyndes.
- Flyt kun omløbsvælgeren, når maskinen er helt standset. Hvis omløbsretningen ændres, inden maskinen er helt stoppet, kan det beskadige maskinen.
- Sæt altid omløbsvælgeren i neutral stilling, når maskinen ikke anvendes.

## Signal for tilbageværende akku-kapacitet (Fig. 6)

Stop maskinen og tryk, mens den er stoppet, på knappen på omskifterpanelet, og den tilbageværende akku-kapacitet vil blive vist på panelet.

Den status, som vises på omskifterpanelet, og den tilbageværende batterikapacitet vises i nedenstående oversigt.

LED-indikator status	Tilbageværende akku-kapacitet
	Ca. 50% eller mere
	Ca. 20% - 50%
	Ca. mindre end 20%

### BEMÆRK:

- Sørg for at stoppe maskinen, inden du bekræfter den tilbageværende akku-kapacitet.

## SAMLING

### ⚠ FORSIGTIG:

- Sørg altid for at maskinen er slukket, og at akkuen er taget ud, før der udføres noget arbejde på maskinen.

## Montering og afmontering af skruebit eller top

Anvend kun bits med en isætningsdel som den, der vises på illustrationen. (Fig. 7)

### Til maskine med lavt bithul

A = 12 mm B = 9 mm	Anvend kun disse typer bits. Følg fremgangsmåden (1). (Bemærk) Bitholder er ikke nødvendig.
-----------------------	---

### Til maskine med dybt bithul

A = 17 mm B = 14 mm	Følg fremgangsmåden (1), når disse typer bits monteres.
A = 12 mm B = 9 mm	Følg fremgangsmåden (2), når disse typer bits monteres. (Bemærk) Bitholder er ikke nødvendig ved montering af bitten.

1. Bitten monteres ved at man trækker i muffen og sætter bitten så langt ind i muffen som den kan komme. (Fig. 8)
2. Bitten monteres ved at man sætter bitholderen og bitten så langt ind i muffen som den kan komme. Bitholderen skal sættes ind i muffen med dens spidse ende vendende ind. Slip derefter muffen for at fastgøre bitten. (Fig. 9)

Bitten fjernes ved at man trækker i muffen og trækker biten ud.

### BEMÆRK:

- For alle lande med undtagelse af dem i Europa er det ikke nødvendigt at trække i muffen, når bitten monteres.
- Hvis bitten ikke sættes langt nok ind i muffen, vil muffen ikke vende tilbage til dens oprindelige position, og biten vil ikke blive holdt ordentlig fast. I så tilfælde kan De prøve at isætte bitten igen som beskrevet i instruktionerne ovenfor.
- Hvis det er svært at sætte bitten ind, skal man trække i muffen og sætte den så langt ind i muffen som den kan komme.
- Kontrollér, at bitten sidder godt fast, når den er sat ind. Den må ikke bruges, hvis den kommer ud.

## Krog (Fig. 10)

Krogen er bekvem til midlertidig ophængning af maskinen. Den kan monteres på begge sider af maskinen.

Krogen monteres ved at man sætter den ind i rillen på maskinen på en af siderne og derefter fastgør den med en skrue. Krogen tages af ved at man løsner skruen og derefter tager den af.



## BETJENING

Det korrekte drejningsmoment kan svinge afhængigt af skruens eller boltens type eller størrelse, materialet på emnet, der skal fastgøres, osv. Forholdet mellem drejningsmoment og fastspændingstid er vist i figurerne.

### (Fig. 11, 12 og 13)

Hold godt fast på maskinen, og anbring spidsen af skrue-trækkerbitten i skruens hoved. Læg fremadrettet tryk på skruen, men kun så meget at bitten ikke smutter ud af skruen, og lænd for maskinen for at starte operationen.

### BEMÆRK:

- Anvend den korrekte bit passende til hovedet på den skrue eller bolt, som De ønsker at anvende.
- Ved fastspænding af M8 eller mindre skruer skal trykket på afbryderknappen reguleres omhyggeligt, således at skruen ikke blive beskadiget.
- Hold maskinen vinkelret på skruen.
- Hvis skruen spændes i længere tid end vist i ovenstående figurer, kan skruen eller spidsen på skruebitten blive overbelastet, skruet over gevind, ødelagt, osv. Inden De påbegynder arbejdet, skal De altid udføre en prøve for at bestemme den rigtige fastspændingstid for skruen.
- Hvis der anvendes et reservebatteri for at fortsætte anvendelsen, skal maskinen først hvile i mindst 15 minutter.

Drejningsmomentet påvirkes af en lang række faktorer, herunder de nedenfor nævnte. Kontrollér altid momentet med en momentnøgle efter fastspænding.

1. Når akkuen er næsten helt afladet, falder spændingen og derved reduceres drejningsmomentet.
2. Skrue-trækkerbit eller top  
Hvis der ikke bruges den korrekte størrelse skrue-trækkerbit eller top, vil drejningsmomentet blive reduceret.
3. Bolt
  - Selvom momentkoefficienten og bolttypen er den samme, vil det korrekte drejningsmomentet variere afhængigt af diameteren på boltten.
  - Selv ved samme bolt diameter kan det korrekte drejningsmoment variere afhængigt af momentkoefficienten, bolttypen og længde.
4. Den måde maskinen holdes på, og materialet på det sted, hvor der fastgøres, vil påvirke drejningsmomentet.
5. Når maskinen anvendes med lav hastighed, reduceres drejningsmomentet.

## VEDLIGEHOLDELSE

### ⚠ FORSIGTIG:

- Sørg altid for at maskinen er slukket, og at akkuen er taget ud, før der udføres eftersyn eller vedligeholdelse på maskinen.
- Anvend aldrig benzin, rensebenzin, fortynder, alkohol og lignende. Resultatet kan blive misfarvning, deformation eller revner.

### Udskiftning af kul

Udskift kullene, når de er slidt ned til slidmarkeringen. Hold kullene rene og i stand til frit at glide ind i holderne. Begge kul skal udskiftes parvist samtidigt. Anvend kun identiske kulbørster. (Fig. 14)

Fjern de to skruer ved hjælp af en skrue-trækker, og fjern derefter bagdækslet. (Fig. 15)

Løft armdelen af fjederen, og anbring den derefter på den indsunke del af maskinen med en kærvskrue-trækker med tyndt skaft eller lignende. (Fig. 16)

Anvend en tang til at fjerne kulbørsternes hætter. Tag de slidte kulbørster ud, sæt de nye ind, og sæt kulbørstehætten tilbage på plads i den modsatte rækkefølge. (Fig. 17)  
Vær sikker på at anbringe ledningstråden i den modsatte side af armen. (Fig. 18)

Sørg for, at kulbørstehætterne passer ordentligt ind i hullerne i børsteholderne. (Fig. 19)

Sæt bagdækslet på plads igen, og stram de to skruer godt til.

For at opretholde produktets SIKKERHED og PÅLIDELIGHED bør reparation, vedligeholdelse og justering kun udføres af et Makita Service Center med anvendelse af originale Makita udskiftningsdele.

## EKSTRAUDSTYR

### ⚠ FORSIGTIG:

- Det følgende tilbehør og ekstraudstyr er anbefalet til brug med Deres Makita maskine, der er beskrevet i denne brugsanvisning. Anvendelse af andet tilbehør eller ekstraudstyr kan udgøre en risiko for personskade. Anvend kun tilbehør og ekstraudstyr til det beskrevne formål.

Hvis De har behov for yderligere detaljer om dette tilbehør, bedes De kontakte Deres lokale Makita Service Center.

- Skruebits
- Krog
- Plastbæretasken
- Forskellige typer ægte batterier og opladere fra Makita
- Akku-beskytter

### BEMÆRK:

- Nogle ting på denne liste kan være inkluderet i værktøjspakken som standardtilbehør. Det kan være forskellige fra land til land.

**Lyd**

Det typiske A-vægtede støjniveau bestemte i overensstemmelse med EN60745:

**Model DTD134**

Lydtryksniveau ( $L_{pA}$ ): 92 dB (A)  
Lydeffektniveau ( $L_{WA}$ ): 103 dB (A)  
Usikkerhed (K): 3 dB (A)

**Model DTD146**

Lydtryksniveau ( $L_{pA}$ ): 93 dB (A)  
Lydeffektniveau ( $L_{WA}$ ): 104 dB (A)  
Usikkerhed (K): 3 dB (A)

**Bær høreværn**

ENG900-1

**Vibration**

Vibrations totalværdi (tre-aksial vektorsum) bestemte i overensstemmelse med EN60745:

**Model DTD134**

Arbejdsindstilling: Slagstramning af fastgøringsanordninger med maksimal kapacitet for maskinen

Vibrationsafgivelse ( $a_n$ ): 12,0 m/s<sup>2</sup>  
Usikkerhed (K): 1,5 m/s<sup>2</sup>

**Model DTD146**

Arbejdsindstilling: Slagstramning af fastgøringsanordninger med maksimal kapacitet for maskinen

Vibrationsafgivelse ( $a_n$ ): 15,5 m/s<sup>2</sup>  
Usikkerhed (K): 2,0 m/s<sup>2</sup>

ENG901-1

- Den angivne vibrationsemissionsværdi er blevet målt i overensstemmelse med standardtestmetoden og kan anvendes til at sammenligne en maskine med en anden.
- Den angivne vibrationsemissionsværdi kan også anvendes i en preliminær eksponeringsvurdering.

**⚠ ADVARSEL:**

- Vibrationsemissionen under den faktiske anvendelse af maskinen kan være forskellig fra den erklærede emissionsværdi, afhængigt af den måde, hvorpå maskinen anvendes.
- Sørg for at identificere de sikkerhedsforskrifter til beskyttelse af operatøren, som er baseret på en vurdering af eksponering under de faktiske brugsforhold (med hensyntagen til alle dele i brugscyklen, som f.eks. de gange, hvor maskinen er slukket og når den kører i tomgang i tilgift til afbrydertiden).

**Kun for lande i Europa****EU-konformitetserklæring**

**Vi, Makita Corporation, erklærer, som den ansvarlige fabrikant, at den (de) følgende Makita maskine(r):**

Maskinens betegnelse: Akku slagskruetrækker  
Model nr./Type: DTD134, DTD146

er af serieproduktion og

**opfylder betingelserne i de følgende EU-direktiver:**  
2006/42/EC

og er fremstillet i overensstemmelse med de følgende standarder eller standardiserede dokumenter:  
EN60745

Den tekniske dokumentation opbevares af vores autoriserede repræsentant i Europa, som er:

Makita International Europe Ltd.  
Michigan Drive, Tongwell,  
Milton Keynes, Bucks MK15 8JD, England

24.1.2011



Tomoyasu Kato  
Direktør

Makita Corporation  
3-11-8, Sumiyoshi-cho,  
Anjo, Aichi, 446-8502, JAPAN

**Περιγραφή γενικής άποψης**

1 Κόκκινη ένδειξη	10 Τσόκ	19 Σημάδι ορίου
2 Κουμπί	11 Τεμάχιο μύτης	20 Βίδες
3 Κασέτα μπαταρίας	12 Γάντζος	21 Πίσω κάλυμμα
4 Ένδειξη αστεριού	13 Βίδα	22 Ελατήριο
5 Σκανδάλη διακόπτη	14 Κανονικό μπουλόνι	23 Βραχιόνας
6 Λαμπάκι	15 Ροπή στερέωσης	24 Κοίλο τμήμα
7 Μοχλός διακόπτη αντιστροφής	16 Σωστή ροπή στερέωσης	25 Καπάκι ψήκτρας άνθρακα
8 Ένδειξη LED	17 Χρόνος στερέωσης	26 Καλώδιο
9 Μύτη	18 Μπουλόνι υψηλού εφελκυσμού	27 Τρύπα

**ΤΕΧΝΙΚΑ ΧΑΡΑΚΤΗΡΙΣΤΙΚΑ**

Μοντέλο		DTD134	DTD146
Ικανότητες	Μηχανική βίδα	4 χιλ – 8 χιλ	
	Κανονικό μπουλόνι	5 χιλ – 14 χιλ	
	Μπουλόνι υψηλού εφελκυσμού	5 χιλ – 12 χιλ	
Ταχύτητα χωρίς φορτίο (λεπ <sup>-1</sup> )		0 – 2.400	0 – 2.300
Κτύποι ανά λεπτό		0 – 3.200	
Ολικό μήκος		138 χιλ	
Βάρος καθαρό		1,2 κιλά (με μπαταρία BL1415) 1,4 κιλά (με μπαταρία BL1430/BL1440)	1,3 κιλά (με μπαταρία BL1815/BL1815N) 1,5 κιλά (με μπαταρία BL1830/BL1840)
Καθορισμένο βολτάζ		D.C. 14,4 V	D.C. 18 V

GEB054-1

- Λόγω του συνεχιζόμενου προγράμματος έρευνας και ανάπτυξης, οι παρούσες προδιαγραφές υπόκεινται σε αλλαγή χωρίς προειδοποίηση.
- Τα τεχνικά χαρακτηριστικά και η κασέτα μπαταρίας μπορεί να διαφέρουν από χώρα σε χώρα.
- Βάρος, με κασέτα μπαταρίας, σύμφωνα με τη διαδικασία ΕΡΤΑ 01/2003

ENE033-1

**Προοριζόμενη χρήση**

Το μηχάνημα προορίζεται για βιδώματα σε ξύλα, μέταλλα και πλαστικά.

GEA010-1

**Γενικές προειδοποιήσεις ασφαλείας για το ηλεκτρικό εργαλείο**

**⚠ ΠΡΟΕΙΔΟΠΟΙΗΣΗ** Διαβάστε όλες τις προειδοποιήσεις ασφαλείας και όλες τις οδηγίες. Η μη τήρηση των προειδοποιήσεων και οδηγιών ενδέχεται να καταλήξει σε ηλεκτροπληξία, πυρκαγιά ή/και σοβαρό τραυματισμό.

**Φυλάξτε όλες τις προειδοποιήσεις και τις οδηγίες για μελλοντική παραπομπή.**

**ΠΡΟΕΙΔΟΠΟΙΗΣΕΙΣ ΑΣΦΑΛΕΙΑΣ ΓΙΑ ΑΣΥΡΜΑΤΟ ΚΡΟΥΣΤΙΚΟ ΒΙΔΟΤΡΥΠΑΝΟ**

1. **Να κρατάτε το ηλεκτρικό εργαλείο από τις λαβές με μόνωση όταν εκτελείτε εργασίες κατά τις οποίες ο σύνδεσμος μπορεί να έρθει σε επαφή με κρυμμένα καλώδια.** Αν ο σύνδεσμος έρθει σε επαφή με κάποιο ηλεκτροφόρο καλώδιο, μπορεί τα εκτεθειμένα μεταλλικά μέρη του ηλεκτρικού εργαλείου να γίνουν κι αυτά ηλεκτροφόρα και να προκληθεί ηλεκτροπληξία στο χειριστή.
2. **Πάντοτε βεβαιώνετε ότι έχετε σταθερή βάση.** Βεβαιώνετε ότι κανείς δεν είναι από κάτω όταν χρησιμοποιείτε το μηχάνημα σε υψηλά μέρη.
3. **Κρατάτε το μηχάνημα σταθερά.**
4. **Φοράτε ωτασπίδες.**

**ΦΥΛΑΞΕΤΕ ΑΥΤΕΣ ΤΙΣ ΟΔΗΓΙΕΣ.**

**⚠ ΠΡΟΕΙΔΟΠΟΙΗΣΗ:**

**ΜΗΝ επιτρέψετε το βαθμό άνεσης ή εξοικείωσης με το προϊόν (λόγω επανειλημμένης χρήσης) να αντικαταστήσει την αυστηρή τήρηση των κανόνων ασφαλείας του παρόντος εργαλείου.**

**ΚΑΚΗ ΧΡΗΣΗ** ή αμέλεια να ακολουθήσετε τους κανόνες ασφάλειας που διατυπώνονται σ'αυτό το εγχειρίδιο οδηγιών μπορεί να προκαλέσει σοβαρό προσωπικό τραυματισμό.

## ΣΗΜΑΝΤΙΚΕΣ ΟΔΗΓΙΕΣ ΑΣΦΑΛΕΙΑΣ

## ΓΙΑ ΚΑΣΕΤΑ ΜΠΑΤΑΡΙΑΣ

1. Πριν χρησιμοποιήσετε την κασέτα μπαταρίας, διαβάστε όλες τις οδηγίες και σημειώσεις προφύλαξης (1) στον φορτιστή μπαταρίας, (2) στην μπαταρία και (3) στο προϊόν που χρησιμοποιεί την μπαταρία.
2. Μην αποσυρναρμολογήσετε την κασέτα μπαταρίας.
3. Εάν ο χρόνος λειτουργίας έχει γίνει υπερβολικά βραχύς, σταματήστε την λειτουργία αμέσως. Αλλιώς, μπορεί να έχει ως αποτέλεσμα κίνδυνο υπερθέρμανσης, πιθανά εγκαύματα ή ακόμη και έκρηξη.
4. Εάν ηλεκτρολύτης μπει στα μάτια σας, ξεπλύνετε τα με καθαρό νερό και ζητήστε ιατρική φροντίδα αμέσως. Αλλιώς, μπορεί να έχει ως αποτέλεσμα απώλεια της όρασης σας.
5. Μην βραχυκυκλώνετε την κασέτα μπαταρίας:
  - (1) Μην αγγίζετε τους πόλους με οτιδήποτε αγώγιμο υλικό.
  - (2) Αποφύγετε να αποθηκεύετε την κασέτα μπαταρίας μέσα σε ένα δοχείο μαζί με άλλα μεταλλικά αντικείμενα όπως καρφιά, νομίσματα, κλπ.
  - (3) Μην εκθέτε την κασέτα μπαταρίας στο νερό ή στη βροχή.
 Ενα βραχυκύκλωμα μπαταρίας μπορεί να προκαλέσει μεγάλη ροή ρεύματος, υπερθέρμανση, πιθανά εγκαύματα ακόμη και σοβαρή βλάβη.
6. Μην αποθηκεύετε το εργαλείο και την κασέτα μπαταρίας σε τοποθεσίες όπου η θερμοκρασία μπορεί να φτάσει ή να ξεπεράσει τους 50°C.
7. Μην καίτε την κασέτα μπαταρίας ακόμη και εάν έχει σοβαρή ζημιά ή είναι εντελώς φθαρμένη. Η κασέτα μπαταρίας μπορεί να εκραγεί στην φωτιά.
8. Προσέχετε να μη ρίξετε κάτω ή χτυπήσετε την μπαταρία.
9. Μην χρησιμοποιείτε μπαταρία που έχει υποστεί ζημιά.

## ΦΥΛΑΞΤΕ ΤΙΣ ΟΔΗΓΙΕΣ ΑΥΤΕΣ.

## Συμβουλές για διατήρηση μέγιστης ζωής μπαταρίας

1. Φορτίζετε την κασέτα μπαταρίας πριν από την πλήρη αποφόρτιση της. Πάντοτε σταματάτε την λειτουργία του εργαλείου και φορτίζετε την κασέτα μπαταρίας όταν παρατηρείτε μειωμένη ισχύ εργαλείου.
2. Ποτέ μην επαναφορτίζετε μία πλήρως φορτισμένη κασέτα μπαταρίας. Υπερφόρτιση μειώνει την ωφέλιμη ζωή της μπαταρίας.
3. Φορτίζετε την κασέτα μπαταρίας σε θερμοκρασία δωματίου 10°C – 40°C. Αφήστε μία θερμή κασέτα μπαταρίας να κρυώσει πριν την φορτίσετε.
4. Φορτίστε την κασέτα μπαταρίας μία φορά κάθε έξι μήνες εάν δεν τη χρησιμοποιείτε για μεγάλη χρονική περίοδο.

## ⚠️ ΠΡΟΣΟΧΗ:

- Πάντοτε βεβαιώνετε ότι το εργαλείο είναι σβηστό και η κασέτα μπαταρίας έχει αφαιρεθεί πριν ρυθμίσετε ή ελέγξετε κάποια λειτουργία στο εργαλείο.

## Τοποθέτηση ή αφαίρεση της κασέτας μπαταρίας (Εικ. 1)

- Πάντοτε σβήνετε το εργαλείο πριν εγκαταστήσετε ή βγάλετε την κασέτα μπαταρίας.
- Για να αφαιρέσετε την κασέτα μπαταρίας, βγάλτε την από το εργαλείο ενώ σύρετε το κουμπί στο εμπρόσθιο μέρος της κασέτας.
- Για να εγκαταστήσετε την κασέτα μπαταρίας, ευθυγραμμίστε την γλώσσα στην κασέτα μπαταρίας με την αυλακία στην υποδοχή και τοποθετήστε την. Πάντοτε να την βάζετε πλήρως μέχρι να κλειδώσει, γεγονός που υποδηλώνεται με ένα χαρακτηριστικό ήχο. Εάν μπορείτε να δείτε την κόκκινη ένδειξη στην επάνω πλευρά του κουμπιού, δεν έχει κλειδώσει τελείως. Τοποθετήστε την πλήρως μέχρι να μην μπορείτε να δείτε την κόκκινη ένδειξη. Σε αντίθετη περίπτωση, ίσως πέσει κατά λάθος από το μηχανήμα, τραυματίζοντας εσάς ή κάποιον τρίτο πρόσωπο.

Μη χρησιμοποιείτε δύναμη όταν εγκαταστήσετε την κασέτα μπαταρίας. Εάν η κασέτα δεν γλιστράει μέσα εύκολα, δεν εισάγεται με τον σωστό τρόπο.

## Σύστημα προστασίας μπαταρίας (Κασέτα μπαταρίας με ένδειξη αστεριού) (Εικ. 2)

Η κασέτα μπαταρίας με ένδειξη αστεριού είναι εξοπλισμένη με σύστημα προστασίας, το οποίο αποκόπτει αυτόματα την έξοδο ισχύος για να παραταθεί η διάρκεια λειτουργίας της. Το εργαλείο σταματάει κατά τη διάρκεια της λειτουργίας όταν το εργαλείο ή/και η μπαταρία βρεθούν κάτω από τις παρακάτω συνθήκες. Αυτό προκαλείται από την ενεργοποίηση του συστήματος προστασίας και δεν αποτελεί ένδειξη προβλήματος του εργαλείου.

- Όταν υπερφορτώνεται το εργαλείο: Σε αυτή τη φάση, αφήστε τη σκανδάλη διακόπτη, βγάλτε την κασέτα μπαταρίας και απομακρύνετε τα αίτια της υπερφόρτωσης. Στη συνέχεια, τραβήξτε ξανά τη σκανδάλη διακόπτη για επανεκκίνηση.
- Όταν θερμανθούν τα κελιά της μπαταρίας: Σε περίπτωση οποιασδήποτε λειτουργίας της σκανδάλης διακόπτη, το μοτέρ θα παραμείνει σταματημένο. Σε αυτή τη φάση, διακόψτε τη χρήση του εργαλείου και αφήστε το να κρυώσει ή φορτίστε την κασέτα μπαταρίας αφού την βγάλετε από το εργαλείο.
- Όταν η υπόλοιπη χωρητικότητα μπαταριών μειωθεί: Σε περίπτωση οποιασδήποτε λειτουργίας της σκανδάλης διακόπτη, το μοτέρ θα παραμείνει σταματημένο. Σε αυτή τη φάση, βγάλτε την κασέτα μπαταρίας από το εργαλείο και φορτίστε την.

### Δράση διακόπτη (Εικ. 3)

#### ⚠ ΠΡΟΣΟΧΗ:

- Πριν εγκαταστήσετε την κασέτα μπαταρίας μέσα στο εργαλείο, πάντοτε ελέγχετε να δείτε ότι η σκανδάλη διακόπτης ενεργοποιείται κανονικά και επιστρέφει στην θέση "OFF" όταν ελευθερώνεται.

Για να ξεκινήσετε το εργαλείο, απλώς τραβήχτε την σκανδάλη διακόπτη. Η ταχύτητα του εργαλείου αυξάνει αυθόνοτως την πίεση στην σκανδάλη διακόπτη. Ελευθερώστε την σκανδάλη διακόπτη για να σταματήσετε.

### Για να ανάψετε το εμπρόσθιο λαμπάκι (Εικ. 4)

#### ⚠ ΠΡΟΣΟΧΗ:

- Μη κοπάζετε το φως ή βλέπετε την πηγή φωτός απευθείας.

Τραβήχτε την σκανδάλη διακόπτη για να ανάψετε το λαμπάκι. Το λαμπάκι συνεχίζει να είναι αναμμένο όσο η σκανδάλη διακόπτης είναι τραβηγμένη. Το λαμπάκι σβήνει αυτόματα σε 10 – 15 δευτερόλεπτα αφού η σκανδάλη διακόπτης έχει ελευθερωθεί.

#### ΠΑΡΑΤΗΡΗΣΗ:

- Χρησιμοποιήστε ένα στεγνό ύφασμα για να σκουπίσετε τους ρύπους από τους φακούς στο λαμπάκι. Προσέχετε να μη γρατσουνίσετε τους φακούς του, διαφορετικά θα μειωθεί ο φωτισμός.

### Δράση διακόπτη αντιστροφής (Εικ. 5)

Αυτό το εργαλείο έχει έναν διακόπτη αντιστροφής για να αλλάξει την διεύθυνση περιστροφής. Πιέστε τον μοχλό διακόπτη αντιστροφής από την πλευρά Α για δεξιόστροφη περιστροφή ή από την πλευρά Β για αριστερόστροφη περιστροφή.

Όταν ο μοχλός διακόπτη αντιστροφής είναι στην ουδέτερη θέση, η σκανδάλη διακόπτης δεν μπορεί να τραβηχθεί.




#### ⚠ ΠΡΟΣΟΧΗ:

- Πάντοτε ελέγχετε την διεύθυνση περιστροφής πριν από την λειτουργία.
- Χρησιμοποιείτε τον διακόπτη αντιστροφής μόνο αφού το εργαλείο σταματήσει εντελώς. Αλλαγή της διεύθυνσης περιστροφής πριν το εργαλείο σταματήσει μπορεί να κάνει ζημιά στο εργαλείο.
- Όταν δεν λειτουργείτε το εργαλείο, πάντοτε βάζετε τον μοχλό διακόπτη αντιστροφής στην ουδέτερη θέση.

### Η ένδειξη υποδεικνύει την υπολειπόμενη φόρτιση της μπαταρίας (Εικ. 6)

Διακόψτε τη λειτουργία του εργαλείου και, με το εργαλείο εκτός λειτουργίας, πατήστε το κουμπί στον πίνακα διακοπών για να εμφανιστεί η υπόλοιπη χωρητικότητα μπαταρίας στον πίνακα.

Η κατάσταση που εμφανίζεται στον πίνακα διακοπών και η υπόλοιπη χωρητικότητα μπαταρίας εμφανίζονται στον ακόλουθο πίνακα.

Κατάσταση ένδειξης LED	Υπολειπόμενη φόρτιση μπαταρίας
	Περίπου 50% ή περισσότερο
	Περίπου 20% - 50%
	Περίπου λιγότερο από 20%

### ΣΗΜΕΙΩΣΗ:

- Πριν ελέγξετε την υπόλοιπη χωρητικότητα μπαταρίας, βεβαιωθείτε να διακόψετε τη λειτουργία του εργαλείου.

### ΣΥΝΑΡΜΟΛΟΓΗΣΗ

#### ⚠ ΠΡΟΣΟΧΗ:

- Πάντοτε βεβαιώνετε ότι το εργαλείο είναι σβηστό και η κασέτα μπαταρίας έχει αφαιρεθεί πριν εκτελέσετε κάποια εργασία στο εργαλείο.

### Τοποθέτηση ή αφαίρεση της μύτης βιδώματος ή της προέκτασης μύτης

Να χρησιμοποιείτε μόνον μύτες που έχουν το τμήμα εισαγωγής που υποδεικνύεται στην εικόνα. (Εικ. 7)

#### Για εργαλείο με ρηχή οπή μύτης

A = 12 mm B = 9 mm	Να χρησιμοποιείτε μύτες αυτού του τύπου μόνο. Ακολουθήστε τη διαδικασία (1). (Σημείωση) Δεν απαιτείται τεμάχιο μύτης.
-----------------------	---

#### Για εργαλείο με βαθιά οπή μύτης

A = 17 mm B = 14 mm	Για την τοποθέτηση μυτών αυτού του τύπου, ακολουθήστε τη διαδικασία (1).
A = 12 mm B = 9 mm	Για την τοποθέτηση μυτών αυτού του τύπου, ακολουθήστε τη διαδικασία (2). (Σημείωση) Απαιτείται τεμάχιο μύτης για την τοποθέτηση της μύτης.

1. Για να εγκαταστήσετε τη μύτη, τραβήξτε το τσοκ και εισάγετε τη μύτη μέσα στο τσοκ μέχρι τέρμα. (Εικ. 8)
2. Για να εγκαταστήσετε τη μύτη, εισάγετε το τεμάχιο μύτης και τη μύτη μέσα στο τσοκ μέχρι τέρμα. Το τεμάχιο μύτης πρέπει να εισαχθεί στο τσοκ με το μυτερό άκρο στραμμένο προς τα μέσα. Μετά, αφήστε το τσοκ για να ασφαλίσετε τη μύτη. (Εικ. 9)

Για να βγάλετε τη μύτη, τραβήξτε το τσοκ και τραβήξτε τη μύτη προς τα έξω.

### ΣΗΜΕΙΩΣΗ:

- Για όλες τις χώρες εκτός από την Ευρώπη, δεν είναι απαραίτητο να τραβήξετε το τσοκ όταν εγκαταστήσετε τη μύτη.
- Εάν η μύτη δεν έχει εισαχθεί αρκετά βαθιά μέσα στο τσοκ, το τσοκ δεν θα επιστρέψει στην αρχική του θέση και η μύτη δεν θα ασφαλιστεί. Στην περίπτωση αυτή, προσπαθήστε να επανεισάγετε την μύτη σύμφωνα με τις παραπάνω οδηγίες.
- Όταν είναι δύσκολο να βάλετε την μύτη, τραβήξτε το τσοκ και βάλτε την μύτη στο τσοκ όσο βαθιά μπορεί να πάει.
- Αφού βάλετε την μύτη, βεβαιωθείτε ότι είναι σταθερά ασφαλισμένη. Αν όμως βγει έξω, μη την χρησιμοποιήσετε.

## Γάντζος (Εικ. 10)

Ο γάντζος είναι βολικός για προσωρινό κρέμασμα του εργαλείου. Μπορεί να τοποθετηθεί σε οποιαδήποτε πλευρά του εργαλείου.

Για να τοποθετήσετε τον γάντζο, βάλτε τον σε μία αυλάκωση στο περίβλημα του εργαλείου σε οποιαδήποτε πλευρά και μετά ασφαλίστε τον με μία βίδα. Για να τον αφαιρέσετε, χαλαρώστε την βίδα και μετά αφαιρέστε τον.

## ΛΕΙΤΟΥΡΓΙΑ

Η σωστή ροπή στερέωσης μπορεί να διαφέρει εξαρτημένη από το είδος ή μέγεθος της βίδας/μπουλονιού, το υλικό του αντικειμένου εργασίας προς στερέωση, κλπ. Η σχέση μεταξύ ροπής στερέωσης και χρόνου στερέωσης φαίνεται στις εικόνες. (Εικ. 11, 12 και 13)

Κρατήστε το εργαλείο σταθερά και βάλτε την άκρη της μύτης βιδώματος στην κεφαλή της βίδας. Εφαρμόστε πίεση προς τα εμπρός στο εργαλείο έτσι ώστε η μύτη να μη ξεφύγει από την βίδα και ανάψτε το εργαλείο για να αρχίσει η εργασία.

## ΣΗΜΕΙΩΣΗ:

- Χρησιμοποιείτε την κατάλληλη μύτη για την κεφαλή βίδας/μπουλονιού που επιθυμείτε να χρησιμοποιήσετε.
- Όταν στερεώσετε μία M8 βίδα ή μικρότερη, προσεκτικά ρυθμίστε την πίεση στην σκανδάλη διακόπτη έτσι ώστε η σκανδάλη να μη πάθει ζημιά.
- Κρατάτε το εργαλείο σε ευθεία κατεύθυνση με τη βίδα.
- Εάν σφίξετε την βίδα για μακρύτερο χρονικό διάστημα από αυτό στις εικόνες, η βίδα ή το μύτη βιδώματος βιδώματος μπορεί να υποστεί υπέρταση, αποφλοιώση, ζημιά, κλπ. Πριν από την έναρξη της εργασίας, να πραγματοποιείτε πάντα δοκιμαστική λειτουργία, ώστε να προσδιοριστεί ο κατάλληλος χρόνος σφίξιματος για τον τύπο της βίδας που έχετε.
- Εάν χρησιμοποιείτε εφεδρική μπαταρία για να συνεχίσετε τη λειτουργία, αφήστε το εργαλείο εκτός λειτουργίας για τουλάχιστον 15 λεπτά.

Η ροπή στερέωσης επηρεάζεται από μία μεγάλη ποικιλία παραγόντων που περιλαμβάνουν και τα ακόλουθα. Μετά την στερέωση, πάντοτε ελέγχετε την ροπή με ένα ροτόκλειδο.

1. Όταν η κασέτα μπαταρίας έχει εκφορτιστεί σχεδόν εντελώς, η τάση θα πέσει και η ροπή στερέωσης θα μειωθεί.
2. Μύτη βιδώματος ή προέκταση μύτης  
Εάν αμελήσετε να χρησιμοποιήσετε το σωστό μέγεθος μύτης βιδώματος ή προέκτασης μύτης θα προκαλέσει μία μείωση στην ροπή στερέωσης.
3. Μπουλόνι
  - Ακόμη και αν ο συντελεστής ροπής και η κατηγορία μπουλονιού είναι τα ίδια, η κατάλληλη ροπή στερέωσης θα διαφέρει σύμφωνα με την διάμετρο του μπουλονιού.
  - Ακόμη και αν οι διάμετροι των μπουλονιών είναι οι ίδιες, η κατάλληλη ροπή στερέωσης θα διαφέρει σύμφωνα με τον συντελεστή ροπής, την κατηγορία του μπουλονιού και το μήκος του μπουλονιού.
4. Ο τρόπος κρατήματος του εργαλείου ή το υλικό της προς στερέωση θέσης βιδώματος θα επηρεάσει την ροπή.
5. Η λειτουργία του εργαλείου σε χαμηλή ταχύτητα θα προκαλέσει μείωση της ροπής στερέωσης.

## ΣΥΝΤΗΡΗΣΗ

### ⚠️ ΠΡΟΣΟΧΗ:

- Πάντοτε βεβαιώνετε ότι το εργαλείο είναι σβηστό και η κασέτα μπαταρίας έχει αφαιρεθεί πριν επιχειρήσετε να κάνετε έλεγχο ή συντήρηση.
- Μην χρησιμοποιείτε ποτέ βενζίνη, πετρελαϊκό αιθέρα, διαλυτικό, αλκοόλη ή παρόμοιες ουσίες. Ενδέχεται να προκληθεί αποχρωματισμός παραμόρφωση ή ρωγμές.

### Αντικατάσταση ψήκτρης άνθρακα

Αντικαθίστε τις δύο φθαρούν μέχρι το σημάδι ορίου. Κρατάτε τις ψήκτρεις άνθρακα καθαρές και ελεύθερες να γλιστρούν στις θήκες. Και οι δύο ψήκτρεις άνθρακα πρέπει να αντικαθίστανται ταυτόχρονα. Χρησιμοποιείτε μόνο ταυτόσημες ψήκτρεις άνθρακα. (Εικ. 14)

Χρησιμοποιείτε ένα κατσαβίδι να αφαιρέσετε τις δύο βίδες και μετά αφαιρέστε το πίσω κάλυμμα. (Εικ. 15)

Σηκώστε το τμήμα βραχίονα του ελατηρίου μετά βάλτε το στο κοίλο τμήμα του περιβλήματος με ένα κατσαβίδι αιχμής μέιον με λεπτό στέλεχος ή κάτι παρόμοιο. (Εικ. 16)

Χρησιμοποιείτε πένα για να αφαιρέσετε τα καπάκια των ψηκτρών άνθρακα. Αφαιρέστε τις φθαρούμενες ψήκτρεις άνθρακα, βάλτε τις καινούργιες και αντικαταστήστε το καπάκι ψήκτρεις άνθρακα αντίστροφα. (Εικ. 17)

Βεβαιωθείτε να τοποθετήσετε το καλώδιο στην αντίθετη πλευρά του βραχίονα. (Εικ. 18)

Βεβαιωθείτε ότι τα καπάκια των ψηκτρών άνθρακα εφαρμόζουν καλά στις οπές στις θήκες ψηκτρών. (Εικ. 19)

Ξαναβάλτε το πίσω κάλυμμα και στερεώστε τις δύο βίδες με ασφάλεια.

Για την διατήρηση της ΑΣΦΑΛΕΙΑΣ και ΑΞΙΟΠΙΣΤΙΑΣ του προϊόντος, επισκευές, οποιαδήποτε άλλη συντήρηση ή ρύθμιση πρέπει να εκτελούνται από τα Εξουσιοδοτημένα Κέντρα Εξυπηρέτησης της Μάκita, με χρήση πάντοτε ανταλλακτικών Μάκita.

## ΠΡΟΑΙΡΕΤΙΚΑ ΕΞΑΡΤΗΜΑΤΑ

### ⚠️ ΠΡΟΣΟΧΗ:

- Αυτά τα εξαρτήματα ή προσαρτήματα συνιστώνται για χρήση με το εργαλείο Μάκita που περιγράφηκε στις οδηγίες αυτές. Η χρήση οτιδήποτε άλλων εξαρτημάτων ή προσαρτημάτων μπορεί να προκαλέσει κίνδυνο τραυματισμού σε άτομα. Χρησιμοποιείτε τα εξαρτήματα ή προσαρτήματα μόνο για την χρήση που προορίζονται.

Εάν χρειάζεστε βοήθεια ή περισσότερες λεπτομέρειες σε σχέση με αυτά τα ανταλλακτικά, ρωτήστε το τοπικό σας κέντρο εξυπηρέτησης της Μάκita.

- Μύτες βιδώματος
- Γάντζος
- Πλαστική θήκη μεταφράς
- Διάφοροι τύποι αυθεντικών μπαταριών και φορτιστών Μάκita
- Προστασία μπαταρίας

### ΠΑΡΑΤΗΡΗΣΗ:

- Μερικά στοιχεία στη λίστα μπορεί να συμπεριλαμβάνονται στη συσκευασία εργαλείου ως στάνταρ εξαρτήματα. Μπορεί να διαφέρουν ανάλογα με τη χώρα.

**Θορύβος**

Το τυπικό Α επίπεδο μετρημένου θορύβου καθορίζεται σύμφωνα με το EN60745:

**Μοντέλο DTD134**

Πίεση ήχου ( $L_{pA}$ ): 92 dB (A)  
Επίπεδο δύναμης ήχου ( $L_{WA}$ ): 103 dB (A)  
Αβεβαιότητα (K): 3 dB (A)

**Μοντέλο DTD146**

Πίεση ήχου ( $L_{pA}$ ): 93 dB (A)  
Επίπεδο δύναμης ήχου ( $L_{WA}$ ): 104 dB (A)  
Αβεβαιότητα (K): 3 dB (A)

**Φοράτε ωτοασπίδες**

ENG900-1

**Κραδασμός**

Η ολική τιμή δόνησης (άθροισμα τρι-αξονικού διανύσματος) καθορίζεται σύμφωνα με το EN60745:

**Μοντέλο DTD134**

Είδος εργασίας: Σφίξιμο κρούσης των συνδέσμων μέγιστης απόδοσης του εργαλείου  
Εκπομπή δόνησης ( $a_h$ ): 12,0 m/s<sup>2</sup>  
Αβεβαιότητα (K): 1,5 m/s<sup>2</sup>

**Μοντέλο DTD146**

Είδος εργασίας: Σφίξιμο κρούσης των συνδέσμων μέγιστης απόδοσης του εργαλείου  
Εκπομπή δόνησης ( $a_h$ ): 15,5 m/s<sup>2</sup>  
Αβεβαιότητα (K): 2,0 m/s<sup>2</sup>

ENG901-1

- Η δηλωμένη τιμή εκπομπής κραδασμών έχει μετρηθεί σύμφωνα με την πρότυπη μέθοδο δοκιμής και μπορεί να χρησιμοποιηθεί για τη σύγκριση ενός εργαλείου με άλλο.
- Η δηλωμένη τιμή εκπομπής κραδασμών μπορεί να χρησιμοποιηθεί και στην προκαταρκτική αξιολόγηση έκθεσης.

**⚠ ΠΡΟΕΙΔΟΠΟΙΗΣΗ:**

- Η εκπομπή κραδασμών κατά τη χρήση του ηλεκτρικού εργαλείου σε πραγματικές συνθήκες μπορεί να διαφέρει από τη δηλωμένη τιμή εκπομπής ανάλογα με τον τρόπο χρήσης του εργαλείου.
- Φροντίστε να λάβετε τα κατάλληλα μέτρα προστασίας του χειριστή βάσει υπολογισμού της έκθεσης σε πραγματικές συνθήκες χρήσης (λαμβάνοντας υπόψη όλες τις συνιστώσες του κύκλου λειτουργίας όπως τους χρόνους που το εργαλείο είναι εκτός λειτουργίας και όταν βρίσκεται σε αδρανή λειτουργία πέραν του χρόνου ενεργοποίησης).

**Μόνο για χώρες της Ευρώπης****Δήλωση Συμμόρφωσης EK**

**Η Makita Corporation, ως ο υπεύθυνος κατασκευαστής, δηλώνει ότι το/τα ακόλουθο(α) μηχάνημα(τα) της Μάκιτα:**

Χαρακτηρισμός μηχανήματος:  
Ασύρματο κρουστικό βιδοτρίπτανο

Αρ. μοντέλου/ Τύπος: DTD134, DTD146

είναι εν σειρά παραγωγή και συμμορφώνονται με τις ακόλουθες Ευρωπαϊκές

**Οδηγίες:**

2006/42/EK

και κατασκευάζονται σύμφωνα με τα ακόλουθα πρότυπα ή έγγραφα τυποποίησης:

EN60745

Η τεχνική τεκμηρίωση φυλάσσεται από τον εξουσιοδοτημένο εκπρόσωπό μας στην Ευρώπη, δηλαδή τη:

Makita International Europe Ltd.

Michigan Drive, Tongwell,

Milton Keynes, Bucks MK15 8JD, England (Αγγλία)

24.1.2011



Tomoyasu Kato  
Διευθυντής

Makita Corporation  
3-11-8, Sumiyoshi-cho,  
Anjo, Aichi, 446-8502, JAPAN

**Makita Corporation**  
Anjo, Aichi, Japan

885243-990

[www.makita.com](http://www.makita.com)

IDE