

Perfectpro B.V.
Everdenberg 9A
Oosterhout
The Netherlands



3A81YP6L0000A

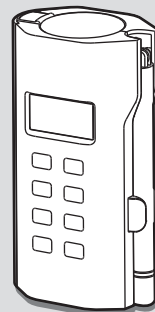


»PERFECTPRO



Operating instruction	GB
Mode d'emploi	F
Gebruiksaanwijzing	NL
Bedienungsanleitung	D
Bruksanvisning	N

SOLOWORKER



WARNING!

WARRANTY BECOMES VOID ONCE THE DEVICE CABINET HAS BEEN OPENED OR ANY MODIFICATIONS OR ALTERATIONS TO THE ORIGINAL DEVICE HAVE BEEN MADE

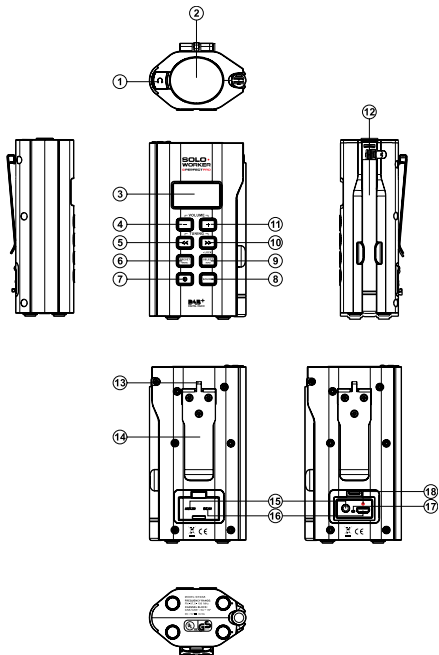
Important safety instructions

1. Read these instructions.
2. Keep these instructions.
3. Heed all warnings.
4. Follow all instructions.
5. Do not use this apparatus near water.
6. Clean only with dry cloth.
7. Do not install near any heat sources such as radiators, heat registers, stoves, or other apparatus (including amplifiers) that produce heat.
8. Do not defeat the safety purpose of the polarized or grounding-type plug. A polarized plug has two blades with one wider than the other. A grounding type plug has two blades and a third grounding prong. The wide blade or the third prong are provided for your safety. If the provided plug does not fit into your outlet. Consult an electrician for replacement of the obsolete outlet.
9. Protect the power cord from being walked on or pinched particularly at plugs, convenience receptacles, and the point where they exit from the apparatus.
10. Only use attachments/accessories specified by the manufacturer.
11. Use only with the cart, stand, tripod, bracket, or table specified by the manufacturer, or sold with the apparatus. When a cart is used, use caution when moving the cart/apparatus combination to avoid injury from tip-over.
12. Unplug this apparatus during lightning storms or unused for long periods of time.



13. Refer all servicing to qualified service personnel. Servicing is required when the apparatus has been damaged in any way, such as power-supply cord or plug is damaged. liquid has been spilled or objects have fallen into the apparatus, the apparatus has been exposed to rain or moisture, does not operate normally, or has been dropped.
14. To Reduce the Risk of Fire or Electric Shock, Do not Expose This Appliance To Rain or Moisture.
15. The Shock Hazard Marking and Associated Graphical Symbol is provided on the rear of unit.
16. Excessive sound pressure on ear-and headphones could impair the hearing ability. Higher setting that idle on the equalizer leads to higher signal voltages on the output for ear and headphones.
17. The power plug should be close to the radio, and easy to be approached that during the emergency, to disconnect the power from the radio, just unplug the power plug from the AC power slot.
18. Where the MAINS plug or an appliance coupler is used as the disconnect device, the disconnected device shall remain readily operable.
19. This apparatus is provided with protection against splashing water (IP64).
20. Use only the AC/DC adaptor which is provided by the manufacturer.
21. The batteries shall not be exposed to excessive heat such as sunshine, fire or the like.
22. To prevent possible hearing damage, do not listen at high volume levels for long periods.





Controls

① Headphone socket

② Loudspeaker

* 360 DEGREES SOUND

The unique Neodymium speaker located on top of the radio provides a 360 degrees sound image.

Suggestion: If preferred, place the radio in a corner or close to a wall for additional sound reflection.

③ LCD display

④ Volume down

⑤ Tuning down button

⑥ Menu/Preset button

⑦ Power button

⑧ Band button

⑨ Select/Info button

⑩ Tuning up button

⑪ Volume up button

⑫ Rod antenna

⑬ Strap holder

(Note: the strap holder on top of the clip is intended for a key ring/hook)

⑭ Clip

⑮ Aux in socket

⑯ DC IN socket (micro-USB)

⑰ Battery charging LED indicator


⑱ Upside indicator for the micro-USB plug

Charging the radio

This unit features a built in 1850mAH Lithium rechargeable battery to power the radio.

Before operating the radio for the first time please fully charge the battery with a supplied 5V/500 mA AC adaptor.

Carefully insert the mini-usb plug into the DC IN socket on the rear of your radio. A red dot on the mini-usb plug indicates the upside of the mini-usb plug. This red dot is also indicated above the mini-usb socket. Plug the adaptor into a standard mains outlet and the radio will begin charging the built in battery.

The LED charging indicator next to the DC IN socket will shine bright red showing charging in progress. This LED indicator will shine faint when the battery is fully charged. The radio can only be charged with radio off. Charging time is approx. 4 hours. The battery life is approx. 4 to 10 hours* listening through the speaker and approx 6 to 15 hours* with headphones. Reduced power, distortion, 'stuttering' sounds or battery power indicator in "low"  are all signs that the battery needs to be recharged. Please note that the battery power icon does not display on the LCD when charging the battery.

IMPORTANT:

The mains adaptor is used as the means of connecting the radio to the mains supply. The mains socket used for the radio must remain accessible during normal use. In order to disconnect the radio from the mains completely, the mains adaptor should be removed from the mains socket outlet completely.

Safety Note:

Never use charge or operate the radio on AC mains power in rainy or moist conditions to prevent moist from entering the radio. Always keep the rubber cover on the back well closed under these conditions.

*** Note to battery life:**

This is a rough indication only as actual achieved battery life depends on many factors such as: selected volume, music type (bass heavy music consumes more energy), selected music source or radio band, selected EQ settings, temperature and age of the battery.

Initial operation-DAB

1. Carefully straighten up the rod antenna* and press the Power button.
2. The display will show "Welcome to Digital Radio" and start to scan the entire DAB+ channel range and stop at the first found station. If the radio has been used before, the last used station will be selected. Press the Select button to play the station.
3. Press the Tuning up/down button to display station list and find desired station. Press the Select button to select the station. The radio will tune to the station and display the station name.
4. Adjust the volume control for comfortable listening.

Note:

Due to the conductivity of the human body the reception of DAB stations may not be possible or become unstable when the antenna touches your body or is very close to your body.

Service information-DAB

The Service Information display-Technical information on the current status of the station being broadcast.

While listening to DAB, continually press the Select/Info button to cycle through information on:

- a. **Radio text**-Displays text messages such as the artist or track name, phone in number, traffic alerts, etc.
- b. **Program type (PTY)**-Displays the type of station being listened to such as Pop, Classic, News etc.
- c. **Multiplex Name**-Displays the name of the DAB multiplex to which the current station belongs as well as its broadcast frequency.
- d. **Signal strength**-Displays the signal strength for the station being listened to.
- e. **Bit rate and audio type**-Displays the digital bit rate and audio coding information for the station being listened to.
- f. **Date**-Displays the current date.

Menu functions-DAB

GB

Press and hold the Menu button to enter the menu list. Press the Tuning up/down button to choose from the following options: EQ setting/Full scan/Manual tune/DRC value/Station order/Prune/System.

- A) **Full scan:** scan the whole DAB network in your area. Radio will tune to the first station found after the scanning is completed.
- B) **Manual tune:** press the Tuning up/down button to scroll through the whole DAB channel. Press the Select button to select required channel.
- C) **EQ setting:** The sound on your radio can be adjusted to suit your personal taste for the material that you are listening to. The radio has 5 preset equalizer modes. Alternatively, you may set the treble and bass levels to your own preferences. Press the Tuning up/down buttons to cycle through the preset mode. Press the Select button to confirm your selection.
 - a) Normal: no tone modification is applied
 - b) Rock
 - c) Soul & Jazz
 - d) Classical
 - e) Spoken word
 - f) Personal: select this mode and you can go to 'Personal setup' to adjust the treble/bass tone.

Personal setup: If you find the preset equalizer functions not to your liking, you may set up a custom treble and bass as following:

- 1) Follow the step above to enter 'Personal setup'.

- 2) Press the Tuning up/down button to select Treble or Bass. Then press the Select button to enter the adjustment mode.
- 3) Press the Tuning up/down button to adjust the treble or bass level (-10 and +10). Press the Select button to confirm the setting.

Note:

To quickly cancel the effect of Personal, press the Tuning up/down button until 'Normal' is highlighted on the display and press the Select button. The treble and bass settings will be memorized for the next time that you wish to use the Personal setup.

D) DRC (Dynamic Range Control): The DRC facility can make quieter sounds easier to hear when your radio is used in a noisy environment. Use the Tuning up/down button to highlight the required DRC setting. Current setting is marked with an asterisk.

DRC Off: No compression applied.

DRC High: Maximum compression applied.

DRC Low: Medium compression applied.

Note:

Not all DAB broadcasts are able to use the DRC function. If the broadcast does not support DRC, then the DRC setting in the radio will have no effect.

E) Station order: your radio has 3 station order settings from which you can choose. The station order settings are as following.

Alphanumeric: sorts the station list alpha-numerically
0...9 A...Z

Ensemble: organizes the station listed by DAB multiplex.

Valid: shows only those stations for which a signal can be found.

The current setting is indicated by an asterisk.

- F) **Prune:** If you move to a different part of the country, some of the stations which were listed may no longer be available. Also, from time to time, some DAB services may stop broadcasting, or may change location or frequency. Stations which cannot be found, or which have not been received for a very long time are shown in the station list with a question mark.

The Prune stations function will delete the marked DAB stations from your station list.

- 1) Press the Select button to enter prune station function.
- 2) Press the Tuning up/down button to select YES to cause the stations lists to be pruned, eliminating unavailable stations. If you do not wish to prune stations, select NO and the display will revert to the previous menu.

- G) **System:** press the Select button to select from the following settings

- **Time/Date**

Manual setting the clock

- 1) Press the Tuning up/down button until 'Set Time/Date' is highlighted. Then press the Select button to enter the time setup. The day digits will flash.

- 2) Press the Tuning up/down button to select correct day. Press the Select button to confirm the setting. The month digits will flash.
- 3) Follow the same procedure above for the month/year/hour/minute setting. If the radio has been set to use a 12 hour format, there will be an option for setting AM or PM for the clock time

Automatically updating the clock

- 1) Press the Tuning up/down button until 'Auto update' is highlighted. Then press the Select button to enter the auto-update menu.
- 2) Press the Tuning up/down button to choose an update option from 'Update from Any', 'Update from DAB', 'Update from FM', 'No update.' Press the Select button to confirm your choice. The radio will then exit to the main menu display.

Setting the clock format:

The clock display: The clock display can be set to 12 or 24 hour format.

- 1) Press the Tuning up/down button until 'Set format' is highlighted on the display. Press the Select button to enter the clock format menu. The current clock format is marked with asterisk.
 - 2) Press the Tuning up/down to select either 12 or 24 format. Press the Select button to confirm your choice.
- **Contrast:** the contrast of the display can be adjusted. Press the Tuning up/down button to adjust the contrast.

The contrast level indication on the screen will change at the same time. When you find the setting that gives the best legibility for the location in which the radio is used, press the Select button to save the setting.

- **Language:** your radio can be configured to a different language. Press the Tuning up/down button until your required language is highlighted on the display. Press the Select button to confirm your choice.

- **Factory reset:** by performing a factory reset, all user entered settings will be erased.

Press the Tuning up/down button to select YES or NO. Select YES to erase all saved settings and all settings will revert to factory default.

- **Software upgrade**

Software updates for your radio may be available in the future. As software updates become available software and information on how to update your radio can be found at www.perfectpro.eu

Important:

Do not perform software updates unless instructed by our technician.

- **SW version:** The software display cannot be altered and is just for your reference. Press the Select button to view the software version installed in the radio. Press the Select button again to revert to the previous menu.

Operating your radio-FM (Manual tuning)

1. Carefully straighten the rod antenna and turn on the radio by pressing the Power button.
2. Press the Band button to select FM radio mode.
3. Press the Tuning up/down button to control the frequency that the radio will tune to. The frequency will change in steps of 50kHz. When the end of the waveband is reached the radio will recommence tuning from the opposite end of the waveband.
4. Press the Volume buttons to adjust the sound level as needed.

Scan tuning-FM

1. Press and hold the Tuning up/down button.
2. The radio will search in an upwards or downwards direction until it finds a station of sufficient signal strength.

Service information FM RDS

Your radio has a range of display options when in FM mode:

1. Press the Info button cycle through the different options.
 - a. Radio text**-Displays scrolling text messages such as artist/track name, phone in number etc.
 - b. Program type**-Displays the information for the station being listened to e.g. Pop, Classic. News, etc.
 - c. Frequency**-Displays the frequency of the FM signal.
 - d. Audio type**-Displays the audio type of the station being listened to
 - e. Date**-Displays the current date.

Note:

If no RDS information is available, then the radio will only be able to display the frequency.

There will be no text or program type information available under these conditions. The radio only provides displays when there is information available.

Menu functions-FM

1. Repeatedly press and release the Menu button until the radio reverts to normal display (i.e. without showing 'MEM Browse' or 'MEM Store' at the bottom of the display).
2. Press and hold the Menu button to enter FM menu list. Then press the Tuning up/down button to scroll through the following options: EQ setting/FM Scan zone/FM audio/System (for the functions of EQ setting and System, please refer to the above sections described in DAB mode).

A) FM scan zone: Your radio includes a local/distant option for the auto-search function. By setting the radio to the 'local' scan option, weaker signals from more distant transmitters can be ignored by the radio, making stronger signals easier to find. Press the Tuning up/down button to choose between 'Local' (Strong stations only) and 'Distant' (All stations including distant radio stations) options. Then press the Select button to confirm the setting. The current setting is indicated with an asterisk.

B) FM audio: If the FM radio station being listened to has a weak signal, some hiss may be audible. It is possible to reduce this hiss by forcing the radio to play the station in mono rather than auto. Press the Tuning up/down button to select the options between 'Mono' and 'Auto'. Then press the Select button to confirm your selection.

Presetting stations-DAB/FM

You may store your preferred DAB and FM radio stations to the preset station memories. There are 40 memory presets in your radio 20 for DAB and 20 for FM. Presets are memorized by your radio in the event of a power failure.

1. Tune to the required station following the above steps.
2. Repeatedly press and release the Menu button until 'MEM Store' is shown at the bottom of the display.
3. Press the Tuning up/down button to select your required preset number. The preset number flashes on the top right corner indicating the preset is still empty. Press the Select button to store the currently tuned station. The display will show 'Saved' when the station is stored to the preset station memory. Repeat this procedure for the remaining presets.

Alternatively, you can simply press the Select button (without the use of Tuning up/down button to select your required preset number) to preset the currently tuned station. The station will be stored in the remaining empty preset in sequence (i.e. if preset 1 to 4 are used, the station required to be preset will be stored in preset 5 automatically).

Note:

Stations stored in preset memories may be overwritten by following the above procedure.

Recalling a preset station-DAB/FM

1. Press the Band button to select the required mode.
2. Repeatedly press and release the Menu button until 'MEM Browse' is shown at the bottom of the display.
3. Press the Tuning up/down button to select your required station.

Note:

The display will only show the preset number which has preset stored.

Playing music via auxiliary input socket

A 3.5mm Auxiliary input socket is provided on the rear of the unit to permit an audio signal to be fed into the unit from any devices that features a headphone or audio output, such as an iPod, MP3 or CD player.

1. Press the Band button to select Aux in mode.
2. Connect a stereo or mono audio source (for example, iPod, MP3 or CD player) to the Auxiliary input socket (marked 'AUX IN').
3. Adjust the Volume control on your iPod, MP3 or CD player to ensure an adequate signal and then adjust the volume on the speaker for comfortable listening.

4. After use, disconnect your player in order to listen to your radio conventionally.

Note:

Never use the Aux-In socket in rainy or moist conditions to prevent moist from entering the radio. Always keep the rubber cover on the back well closed under these conditions.

Headphone socket

The 3.5 mm stereo headphone socket located on the top of your radio is provided for use with stereo headphones or an earpiece. Connecting headphones automatically mutes the built in speaker.

Important:

Excessive volume levels from earphones and headphones may cause damage to your hearing.

Note:

Never use the headphone socket in rainy or moist conditions to prevent moist from entering the radio. Always keep the rubber cover on top well closed under these conditions.

Key lock

The key lock function is used to prevent unintentional operation of the radio.

1. Press and hold the Select button until 'Keys Locked' is shown on the display. The power button and all other buttons will be disabled to prevent accidental operation.
2. To disable the key lock function, press and hold the Select button again until 'Keys Unlocked' is shown on the display.



Safety information for internal rechargeable Lithium-ion battery

GB

The internal rechargeable lithium-ion battery used in this device is able to supply power for a long period of time. However, even lithium-ion batteries reach a point where they cannot be recharged. If the battery does not recharge after several attempts, it may be drained (has a low charge), please contact info@perfectpro.eu for repair information.

However, if you do not want us to replace the battery, you will need to dispose of used batteries/device in accordance to the laws and regulations in your area. In addition, you can contact your local electronics retailers or recycling center for disposal.

User Safety Precautions

- Check the room temperature range is 0°C-45° C (32°-113° Fahrenheit) before charging the battery.
- Do not attempt to disassemble the plastic covering or any parts of the device, as the materials inside may be toxic and may damage skin and clothes.
- Do not puncture, crush, modify, throw or cause any unnecessary shock to your battery, as the **battery used in this device may present a risk of fire, explosion, or chemical burn if mistreated.**
- Do not leave, charge or use the battery in a car under direct sunlight, near fire or a heated source.
- Do not immerse, throw, wet the battery in water/seawater.
- Do not use or charge the battery if it appears to be abnormally hot, discoloration, deformation or abnormal conditions is detected during use, charge or storage.
- Do not leave a charging battery unattended. Keep the battery away from babies and children.

WARRANTY

This radio has a 2 year limited warranty.

WARNING! Warranty becomes void once the radio cabinet has been opened or any modifications or alterations to the radio have been made!

The terms of the warranty of this radio do not cover the following:

- Damage caused by misuse, abuse, neglect, alterations, accidents or unauthorised repair.
- Normal wear and tear.
- Breaking or bending of the antenna.

Specification

GB

Power Requirement:

Mains (via supplied AC adaptor)

AC 100-240 V 50/60 Hz

DC 5V 500 mA

Built-in Battery: 3.7V/1850 mAh

Speaker: 4 ohm

Frequency Coverage:

FM: 87.5–108 MHz

DAB+ Band III: 5A-13 F

The company reserves the right to amend the specification without notice.



If at any time in the future you should need to dispose of this product please note that: Waste electrical products should not be disposed of with household waste. Please recycle where facilities exist. Check with your Local Authority or retailer for recycling advice. (Waste Electrical and Electronic Equipment Directive)

AVERTISSEMENT!

LA GARANTIE N'AURA PLUS D'EFFET À PARTIR DU MOMENT OÙ LE BOITIER DE L'APPAREIL A ÉTÉ OUVERT OU LORSQUE DES MODIFICATIONS OU ALTÉRATIONS ONT ÉTÉ FAITES SUR L'APPAREIL ORIGINAL.

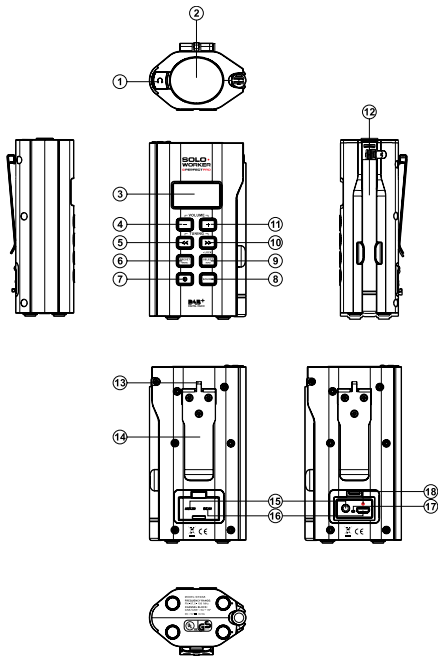
Instructions importantes sur la sécurité

1. Lisez ces instructions.
2. Conservez ces instructions.
3. Tenez compte de toutes les mises en garde.
4. Suivez toutes les instructions.
5. N'utilisez pas cet appareil à proximité de l'eau.
6. Ne nettoyez qu'à l'aide d'un linge sec.
7. N'installez pas à proximité de sources de chaleur telles que radiateurs, registre de chaleur, poêle ou autres appareils (y compris les amplificateurs) qui produisent de la chaleur.
8. Ne sous-estimez pas l'objectif de sécurité des prise polarisées ou de type terre. Une prise polarisée a deux fiches dont l'une est plus large que l'autre. Une prise de type terre a deux fiches plus une fiche supplémentaire de raccord à la terre. La fiche large ou le raccord à la terre sont conçues pour votre sécurité. Si la prise fournie ne convient pas à votre équipement, consultez un électricien pour remplacer votre ancien équipement. Consultez un électricien pour le remplacement de l'installation obsolète.
9. Protégez le cordon d'alimentation contre les piétinements ou les pincements, particulièrement au niveau des branchements, prises de courant, et du point d'où il sort de l'appareil.
10. N'utilisez que les extensions/accessoires spécifiés par le fabricant.
11. N'utilisez qu'avec un chariot, support, trépied, crochet ou table spécifié par le fabricant, ou vendu avec l'appareil. Lorsque vous utilisez un chariot, soyez attentif lorsque vous déplacez la combinaison chariot/appareil pour éviter les blessures dues au renversement.
12. Débranchez cet appareil lors des orages ou lorsqu'il est inutilisé pendant une longue période.



13. Confiez toute réparation à du personnel de maintenance qualifié. La réparation est nécessaire lorsque l'appareil a été endommagé de quelque sorte, par exemple si le cordon d'alimentation ou la prise sont endommagés, si du liquide a été répandu ou si des objets sont tombés dans l'appareil ou si ce dernier a été exposé aux moisissures ou à la pluie, qu'il ne fonctionne pas normalement ou a chuté.
14. Pour réduire le risque d'incendie ou de choc électrique, n'exposez pas cet appareil à la pluie ou l'humidité.
15. Le marquage de risque d'étouffement et les symboles graphiques associés sont présents sur la face arrière de l'unité.
16. Une pression excessive dans les oreilles et les écouteurs peuvent diminuer l'audition. Les réglages hauts qui désactivent le fil des égaliseurs amènent à des tensions de signal fortes sur la sortie pour les oreilles et les écouteurs.
17. La prise d'alimentation doit être proche de la radio, et facilement accessible afin de n'avoir qu'à débrancher la prise du secteur pour pouvoir déconnecter l'appareil en cas d'urgence.
18. Lorsque L'alimentation principale ou un appareil de raccordement sert de sectionneur, le sectionneur doit toujours rester en état de marche.
19. Cet appareil est équipé d'une protection contre les éclaboussures (IP64).
20. N'utilisez que l'adaptateur CA/CC fourni par le fabricant.
21. Les piles ne doivent pas être exposées à des chaleurs excessives telles que la lumière du soleil, le feu ou autres.
22. Pour éviter d'endommager l'audition, ne pas écouter à volume élevé pendant de longues périodes.





Commandes

F

① Prise écouteurs

② Haut-parleur

***SON 360 DEGRÉS**

L'enceinte Neodymium unique située en haut de la radio procure une imagerie sonore à 360 degrés.

Suggestion: Si vous préférez, placez la radio dans un angle ou à proximité d'un mur pour une réflexion supplémentaire du son.

③ Écran LCD

④ Baisser le volume

⑤ Touche Réglage-

⑥ Touche Menu/Preset

⑦ Touche d'alimentation

⑧ Touche fréquence

⑨ Touche Sélection/Info

⑩ Touche Réglage +

⑪ Touche Volume +

⑫ Antenne tige

⑬ Œillet pour la courroie

(Remarque: la courroie en haut du crochet sert à accrocher un porte-clés/crochet)

⑭ Accroche

⑮ Prise entrée auxiliaire

⑯ Prise entrée CC (micro USB)

⑰ Indicateur DEL de chargement de batterie


⑱ Indicateur supérieur pour la prise micro-usb

Charger la radio

Cette unité est équipée d'une batterie lithium 1850mAh rechargeable pour l'alimentation de la radio.

Avant d'utiliser la radio pour la première fois, veuillez recharger complètement la batterie avec l'adaptateur 5V/500 mA CA fourni.

Insérer **soigneusement** la mini prise usb de l'adaptateur dans l'entrée CC située à l'arrière de la radio. Un point rouge situé sur la mini prise usb indique le dessus de la mini prise usb. Ce point rouge est également présent sur la radio, au dessus de la mini prise usb. Brancher l'adaptateur sur le courant secteur et la radio commencera à charger la batterie intégrée.

L'indicateur de charge LED situé sur la radio près de la prise CC s'allumera en rouge brillant, indiquant que la charge est en progression. Cet indicateur LED brillera d'un rouge pâle une fois que la batterie sera complètement chargée. La radio ne peut être chargée que lorsqu'elle est éteinte. Le temps de rechargement est d'environ 4 heures. Le temps de fonctionnement est d'environ 4-10 heures* d'écoute sur haut-parleur, et environ 6-15 heures* sur écouteurs. Une puissance réduite, des distorsions, des sons "grésillant" ou l'indicateur de batterie « faible »  sont autant de signes que la batterie doit être rechargée. Veuillez noter que l'icône d'alimentation de la batterie ne s'affiche pas sur l'écran lors du chargement de la batterie.

IMPORTANT:

La prise secteur est utilisée comme moyen de connecter la radio à l'alimentation secteur. La prise secteur utilisée pour la radio doit rester accessible durant l'utilisation normale. Afin de déconnecter la radio du secteur, la prise secteur doit être enlevée complètement de la prise d'alimentation murale.

Remarques sur la sécurité:

N'utilisez et ne chargez jamais la radio sur alimentation secteur en conditions pluvieuses ou humide, pour éviter que de l'humidité n'entre dans la radio. Gardez toujours la protection de caoutchouc à l'arrière bien fermée dans ces conditions.

*** Remarque sur la durée de la batterie:**

Il s'agit d'une indication approximative uniquement, la durée de fonctionnement réelle de la batterie dépend de nombreux facteurs comme: le volume réglé, le type de musique (les musiques avec des basses fortes consomment plus d'énergie), la source de musique ou la fréquence radio sélectionnée, le réglage des égaliseurs, la température et l'âge de la batterie.

Première utilisation-DAB

1. Allongez soigneusement l'antenne tige et appuyez sur la touche d'alimentation.
2. L'écran affichera « Welcome to Digital Radio » et commencera à faire une recherche sur l'ensemble de la bande DAB+ et s'arrêtera à la première station trouvée. Si vous avez utilisé la radio avant, la dernière station écoutée sera sélectionnée. Appuyez sur la touche Select pour diffuser la station.
3. Appuyez sur la touche réglage haut/bas pour afficher la liste des stations et trouver celle de votre choix. Appuyez sur la touche Select pour choisir la station. La radio diffusera la station et affichera le nom de la station.
4. Réglez le volume pour une écoute confortable.

Remarque:

Du fait de la conductivité du corps humain, la réception des stations DAB peut ne pas être possible ou devenir instable lorsque l'antenne touche le corps ou est très proche du corps.

Information de service-DAB

L'information de service affiche des informations techniques sur le statut actuel de la station en cours de diffusion.

Lorsque vous écoutez du DAB+, tenez la touche Select/Info appuyée pour circuler entre les informations sur:

- a. Texte radio**-Affiche des messages de texte déroulant comme le nom de l'artiste, le nom de la piste, le numéro de téléphone, les alertes de trafic, etc.
- b. Type de programme (PTY)**-Affiche le type de la station actuellement écoutée comme Pop, Classic, News, etc.
- c. Nom du multiplexe**-Affiche le nom du multiplexe DAB auquel la station en cour d'écoute appartient.
- d. Force du signal**-Affiche la force du signal pour la station actuellement écoutée.
- e. Débit binaire et type audio**-Affiche le débit binaire et le type audio pour la station en cours d'écoute.
- f. Date**-Affiche la date du jour.

Fonctions du menu-DAB

Maintenez la touche Menu appuyée pour entrer dans la liste de menu Bluetooth. Puis appuyez sur la touche de réglage haut/bas pour faire défiler les options suivantes: EQ setting/Full Scan/Manual tune/DRC value/Station order/Prune/System.

A) Full scan (Recherche complète): Fait une recherche sur l'ensemble du réseau DAB dans votre secteur. La radio réglera la première station trouvée une fois la recherche terminée.

B) Manual tune (réglage manuel): Appuyez sur la touche Réglage +/- pour circuler sur l'ensemble de la bande DAB. Appuyez sur la touche Select pour choisir le canal de votre choix.

C) EQ setting (Réglage des égaliseurs): Le son de votre radio peut être réglé pour correspondre à vos goûts personnels en fonction de la musique que vous écoutez. Votre radio dispose de cinq modes d'égaliseur présélectionné. Autrement, vous pouvez régler les niveaux de basses et de grave selon vos préférences personnelles.

Appuyez sur la touche de réglage haut/bas pour circuler parmi les stations présélectionnées. Appuyez sur la touche Select pour confirmer votre choix.

a) Normal: aucune modification des tonalités n'est appliquée

b) Rock

c) Soul & Jazz

d) Classique

e) Discours

f) Personnel: choisissez ce mode et vous pouvez aller dans 'paramètres personnalisés' pour régler la tonalité des aigües/graves.

Paramètres personnalisés: Si vous trouvez que les fonctions d'équaliseurs pré-réglés ne vous conviennent pas, vous pouvez configurer un réglage d'aigu et de graves comme suit:

- 1) Suivez les étapes ci-dessus pour entrer dans le menu 'paramètres personnalisés'.
- 2) Appuyez sur la touche Réglage Haut/Bas pour sélectionner les aiguës ou les graves. Puis, appuyez sur la touche Select pour entrer dans le mode de réglage.
- 3) Appuyez sur la touche Réglage Haut/Bas pour régler le niveau des aiguës ou des graves (entre -10 et +10). Appuyez sur la touche Select pour confirmer le paramètre.

Remarque:

Pour annuler rapidement l'effet du profil personnalisé, appuyez sur la touche de réglage haut/bas jusqu'à ce que 'Normal' s'affiche sur l'écran et appuyez sur la touche Select. Les réglages de graves et d'aiguës seront mis en mémoire pour la prochaine fois que vous utiliserez le réglage personnalisé.

D) DRC (Dynamic Range Control): Le DRC permet d'obtenir des sons plus doux plus agréables à écouter lorsque votre radio est utilisée dans un environnement bruyant. Utilisez la touche de réglage haut/bas pour sélectionner le format DRC de votre choix.

Le paramètre actuel sera indiqué avec une astérisque.

DRC éteint: Aucune compression n'est appliquée.

DRC fort: La compression maximum est appliquée.

DRC faible: La compression moyenne est appliquée.

E) Ordre des stations: Votre radio a trois configurations d'ordre des stations parmi lesquels vous pouvez choisir. Les configurations d'ordre des stations sont les suivants.

Alphanumérique: Trie la liste des stations de manière alphanumérique 0...9 A...Z

Ensemble: Organise les stations référencées par multiplexe DAB.

Valide: Ne montre que les stations pour lesquelles un signal peut être trouvé.

La configuration en cours est indiquée par un astérisque.

F) Effacer: Si vous partez dans un endroit du pays différent, certaines des stations que vous aviez répertoriées risquent de ne plus être disponibles. Par ailleurs, de temps en temps, certains services DAB peuvent cesser de diffuser ou peuvent changer de d'emplacement ou de fréquence.

Remarque:

Tous les programmes DAB n'utilisent pas la fonction DRC. Si le programme n'utilise pas d'information DRC, alors le paramètre DRC de la radio n'aura pas d'effet.

Les stations qui ne peuvent être trouvées ou qui n'ont pas été reçus pendant un très long moment sont indiquées dans la liste des stations avec un point d'interrogation.

La fonction d'élimination des stations effacera les stations DAB marquées de votre liste de stations.

1) Appuyez sur la touche Select pour entrer dans la fonction d'effacement de stations.

2) Appuyez sur la touche Réglage haut/bas pour rafraichir la liste de stations, et éliminer les stations non disponibles. Si vous ne souhaitez pas rafraichir la liste des stations, touchez Non, l'écran reviendra alors au menu précédent.

G) **Systeme:** Appuyez sur la touche Select pour sélectionner entre les différents paramètres

- **Heure/Date**

Régler l'horloge manuellement

1) Appuyez sur la touche Réglage haut/bas jusqu'à ce que 'Set Time/Date' soit en surbrillance. Puis, appuyez sur la touche Select pour entrer dans le mode de réglage de l'heure. Le chiffre des jours clignotera.

2) Appuyez sur la touche Réglage Haut/Bas pour sélectionner le jour correcte. Appuyez sur la touche Select pour confirmer le paramètre. Les chiffres du mois clignoteront.

3) Suivez la même procédure que celle indiquée ci-dessus pour le réglage du mois/de l'année/des heures/des minutes. Si la radio a été réglée pour utiliser un format 12 heures, il y aura aussi une option pour régler l'alarme sur AM ou PM pour l'heure de l'horloge.

Mise à jour automatique de l'horloge

1) Appuyez sur la touche Réglage haut/bas jusqu'à ce que 'Auto update' soit en surbrillance. Puis, appuyez sur la touche Select pour entrer dans le mode de mise à jour automatique.

- 2) Appuyez sur la touche Réglage haut/bas pour choisir une mise à jour entre « Update from any » (mise à jour depuis tous), « Update from DAB » (Mise à jour depuis DAB), « Update from FM » (Mise à jour depuis DAB), 'Update from FM' (mise à jour depuis FM), 'No update.' (pas de mise à jour) Appuyez sur la touche Select pour confirmer votre choix. La radio retournera à l'affichage du menu précédent.

Régler le format de l'horloge:

Affichage de l'horloge: L'affichage de l'horloge peut être réglé sur le format 12 ou 24 heures.

- 1) Appuyez sur la touche Réglage haut/bas jusqu'à ce que « Set format » soit en surbrillance sur l'écran. Appuyez sur la touche Select pour entrer dans le menu de format de l'horloge. Le format d'horloge actuel est marqué d'un astérisque.
- 2) Appuyez sur Réglage haut/bas pour sélectionner le format 12 ou 24 heures. Appuyez sur la touche Select pour confirmer votre choix.

- **Contraste:** Le contraste de l'écran peut être réglé.

Appuyez sur la touche Réglage haut/bas pour régler le contraste. Le niveau de contraste sur l'écran changera en même temps. Lorsque vous trouvez le réglage qui vous donne la meilleure lisibilité pour l'emplacement où se situe la radio, appuyez sur la touche Select pour sauvegarder le réglage.

- **Langue:** Votre radio peut être configurée sur différentes langues.

Appuyez sur la touche Réglage haut/bas jusqu'à ce que la langue qui vous convient s'affiche sur l'écran. Appuyez sur la touche Select pour confirmer votre choix.

- **Réinitialisation de la configuration d'usine:** En effectuant une réinitialisation des paramètres d'usine, tous les paramètres entrés par l'utilisateur seront effacés.

Press the Tuning up/down button to select YES or NO. Select YES to erase all saved settings and all settings will revert to factory default.

- **Mise à jour de logiciel**

Des mises à jour de logiciel pour votre radio seront peut-être disponibles à l'avenir. Au fur et à mesure que des mises à jour de logiciel apparaissent, des informations sur la manière de mettre à jour le logiciel de votre radio sont disponibles sur: www.perfectpro.eu

IMPORTANT:

Ne procédez pas à une mise à jour de logiciel sauf si un de nos technicien ne vous l'indique.

- **Versio n du logiciel:** La version du logiciel ne peut être changée, cette fonction est pour votre référence uniquement.

Appuyez sur la touche Select pour voir la version des logiciels installés sur votre radio. Appuyez sur la touche Select pour revenir au menu précédent.

Fonctionnement de votre radio FM (réglage manuel)

F

1. Allongez doucement l'antenne tige et allumez la radio en appuyant sur la touche d'alimentation.
2. Appuyez sur la touche Band pour sélectionner le mode Radio FM.
3. Tournez la touche de réglage haut/bas pour contrôler la fréquence sur laquelle la radio va se régler. La fréquence changera par paliers de 50KHz. Lorsque la fin de la bande d'onde est atteinte, la radio recommencera à scanner depuis le coté opposé de la bande d'onde.
4. Utilisez les touches de Volume pour régler le niveau de son à votre gré.

Réglage par recherche-FM

1. Tenez la touche Réglage haut/bas appuyée.
2. La radio recherchera dans une direction ascendante ou descendante jusqu'à ce qu'elle trouve une station dont le signal est suffisamment puissant.

Information de service FM RDS

Votre radio dispose de plusieurs options d'affichage en mode FM:

1. Appuyez sur la touche Info pour circuler entre les différentes options.

a. Texte radio

Affiche des messages textes défilants comme le nom de l'artiste/de la piste, le numéro de téléphone, etc.

b. Type de programme

Affiche le type de la station actuellement écoutée comme Pop, Classic, News, etc.

c. Frequency

Affiche la fréquence du signal FM.

d. Type audio

Affiche le type audio pour la station en cours d'écoute.

e. Date

Affiche la date du jour.

Remarque:

Si aucune information RDS n'est disponible, alors la radio ne pourra afficher autre chose que la fréquence. Il n'y aura pas de texte ou d'information sur le type de programme disponible dans ces conditions. La radio ne propose un affichage que lorsque l'information est disponible.

Fonctions du menu-FM

1. Appuyez à plusieurs reprises sur la touche MENU jusqu'à ce que la radio retourne à l'affichage normal (ex: sans afficher 'MEM Browse' ou 'MEM Store' en bas de l'écran).
2. Maintenez la touche Menu appuyée pour entrer dans la liste de menu FM. Puis appuyez sur la touche de réglage haut/bas pour faire défiler les options suivantes: Réglage EQ/zone de recherche FM/audio FM/Système (pour les fonctions du réglage des EQ et du système, veuillez consulter les sections ci-dessus décrites dans le mode DAB).

A) Zone de recherche FM: Votre radio est équipée d'une option local/distant pour la fonction de recherche automatique. En réglant la radio sur l'option de recherche 'Local', les signaux plus faibles des émetteurs distant peuvent être ignorés par la radio, rendant les signaux plus forts plus faciles à trouver.

Appuyez sur la touche Réglage haut/bas pour choisir entre l'option 'local' (stations fortes uniquement) et 'distant' (toutes les stations y compris les stations distantes). Puis, appuyez sur la touche Select pour confirmer le paramètre. La configuration en cours est indiquée par un astérisque.

B) Audio FM: Si la station de radio FM que vous écoutez a un signal faible, vous pourrez entendre des bruissements. Il est possible de réduire ce bruissement en forçant la radio à jouer en mono plutôt qu'en stéréo.

Appuyez sur la touche Réglage haut/bas pour choisir les options entre 'Mono' et 'Auto'. Puis, appuyez sur la touche Select pour confirmer votre choix.

Présélection de station-DAB/FM

Vous pouvez enregistrer vos stations radio DAB et FM préférées sur les mémoires de stations présélectionnées. Il y a 40 présélections de mémoire sur votre radio, 20 pour la bande DAB et 20 pour la bande FM. Les présélections sont conservées en cas de panne d'électricité.

1. Réglez la station de votre choix en suivant les étapes ci-dessus.
2. Appuyez à plusieurs reprises sur la touche Menu jusqu'à ce que 'MEM Store' apparaisse en bas de l'écran.
3. Appuyez sur la touche de réglage Haut/Bas pour sélectionner la station présélectionnée de votre choix. Le numéro de la station présélectionnée clignote sur l'écran pour indiquer que l'espace est encore vide. Appuyez sur la touche Select pour sauvegarder la station actuellement réglée. L'écran affichera 'Saved' lorsque la station sera enregistrée dans la mémoire des stations présélectionnées. Répétez cette procédure autant de fois pour les présélections restantes.

Autrement, vous pouvez simplement appuyer sur la touche Select (sans utiliser la touche Réglage haut/bas pour choisir votre numéro de présélection) pour enregistrer en présélection la station actuellement réglée. La station sera sauvegardée dans l'espace de présélection dans l'ordre (ex: si les espaces 1 à 4 sont tous utilisés, la station sera enregistrée sur l'espace 5 automatiquement).

Remarque:

Les stations sauvegardées peuvent être écrasées en suivant la procédure détaillée plus haut.

Rappel de stations présélectionnées DAB/FM

1. Appuyez sur la touche Bande pour choisir le mode de votre choix.
2. Appuyez à plusieurs reprises sur la touche Menu jusqu'à ce que 'MEM Store' apparaisse en bas de l'écran.

3. Appuyez sur la touche Réglage haut/bas pour choisir la station de votre choix.

Remarque:

L'écran n'affichera que le numéro de présélection qui a déjà été enregistré.

Jouer de la musique sur la fente d'entrée auxiliaire

Une fente entrée auxiliaire stéréo 3,5 mm est équipée à l'arrière de votre radio pour permettre l'arrivée d'un signal audio dans l'unité depuis un appareil audio externe comme un iPod, MP3 ou lecteur CD.

1. Appuyez sur la touche Band pour sélectionner le mode d'entrée auxiliaire (Aux in).
2. Connectez une source audio stéréo ou mono, (par exemple, iPod, MP3 ou lecteur CD) sur la fente d'entrée auxiliaire (marquée 'Aux In')
3. Réglez le volume sur votre iPod, MP3 ou lecteur CD pour garantir un niveau de signal adéquat depuis le lecteur, puis tournez la molette de contrôle, et tournez la molette de volume sur la radio pour obtenir un niveau d'écoute approprié.
4. Après utilisation, déconnectez votre lecteur afin d'écouter votre radio normalement.

Remarque:

N'utilisez jamais la fente d'entrée auxiliaire en conditions pluvieuses ou humide, pour éviter que de l'humidité n'entre dans la radio. Gardez toujours la protection de caoutchouc à l'arrière bien fermée dans ces conditions.

Prise écouteurs

La prise écouteurs stéréo située sur le dessus de votre radio vous permet d'utiliser des écouteurs stéréo ou une oreillette. Connecter des écouteurs coupera automatiquement le son du haut-parleur intégré.

Important:

Des volumes sonores excessifs des écouteurs et casques peuvent engendrer des troubles de l'audition.

Remarque:

N'utilisez jamais la fente d'entrée auxiliaire en conditions pluvieuses ou humide, pour éviter que de l'humidité n'entre dans la radio. Gardez toujours la protection de caoutchouc à l'arrière bien fermée dans ces conditions.

Verrouillage des touches

La fonction de verrouillage des touches sert à empêcher les opérations non-intentionnelles sur la radio.

1. Tenez la touche Select appuyée jusqu'à ce que 'Keys Locked' s'affiche sur l'écran. La touche d'alimentation et toutes les autres touches seront désactivées pour éviter les opérations accidentelles.
2. Pour désactiver la fonction de verrouillage des touches, tenez la touche Select appuyée de nouveau jusqu'à ce que 'Keys Unlocked' s'affiche sur l'écran.



Information de sécurité sur la batterie interne rechargeable Lithium-ion

La batterie interne rechargeable lithium-ion utilisée dans cet appareil permet d'alimenter l'appareil pendant une longue période. Toutefois, même les batteries lithium-ion peuvent arriver à un point où elles ne peuvent plus être rechargées. Si la batterie ne se recharge pas après plusieurs essais, elle est peut-être vide (charge faible), contactez info@perfectpro.eu pour des informations sur la réparation.

Toutefois, si vous ne souhaitez pas que nous remplacions la batterie, vous devez éliminer les batteries/appareils usés conformément aux lois et réglementations de votre secteur. En plus de cela, vous pouvez contacter votre détaillant local en produit électronique ou un centre de recyclage pour l'élimination.

Précautions de sécurité pour l'utilisateur

- Assurez-vous que la plage de température est de 0°C-45°C (32°-113° Fahrenheit) avant de charger la batterie.
- N'essayez pas de démonter la protection en plastique ou toute autre partie de l'appareil, car les matériaux à l'intérieur peuvent être toxique et endommager la peau et les vêtements.
- Ne percez pas, n'écrasez pas, ne modifiez pas, de lancez pas et ne causez pas de choc inutile sur la batterie, car la **batterie utilisée dans cet appareil présente un risque d'incendie, d'explosion ou de brûlure chimique en cas de traitement inappropriée.**
- Ne laissez pas, ne chargez pas, ou n'utilisez pas la batterie dans une voiture sous la lumière directe du soleil, près d'un feu ou d'une source de chaleur.
- N'immergez pas, ne jetez pas, ne mouillez pas la batterie dans l'eau/l'eau de mer.
- N'utilisez pas ou ne chargez pas la batterie si elle apparait anormalement chaude, si elle présente une décoloration, une déformation ou des conditions anormales détectée pendant l'utilisation, le chargement ou le rangement.
- Ne laissez pas une batterie sans surveillance lorsqu'elle est en cours de chargement. Tenez la batterie hors de portée des enfants et des bébés.

GARANTIE

Cette radio a une garantie limitée à 2 ans.

AVERTISSEMENT! La garantie n'aura plus d'effet à partir du moment où le boîtier de la radio a été ouvert ou lorsque des modifications ou altérations ont été faites sur la radio!

Les termes de garantie de cette radio ne couvrent pas ce qui suit:

- Dégâts causés par une utilisation erronée ou abusive, négligence, altérations, accidents, ou réparations non autorisées.
- Usure normale.
- Rupture ou courbure de l'antenne.

Spécifications

Mode d'alimentation:

Secteur (via l'adaptateur fourni)

AC 100-240 V, 50/60 Hz

5V CC 500 mA

Batterie intégrée: 3,7V/1180 mA

Enceinte: 4 Ohm

Couverture de fréquence:

FM: 87,50-108 MHz

DAB+ BAND III: 5A–13F

L'entreprise se réserve le droit de modifier les spécifications sans notification.



Si à l'avenir vous devez vous débarrasser de ce produit, veuillez noter que: Les produits électriques ne peuvent pas être jetés avec le reste des déchets ménagers. Si possible, amenez l'appareil à un centre de recyclage. Vérifiez auprès de votre municipalité ou de votre détaillant pour en savoir plus sur le recyclage. (Directive relative aux déchets d'équipements électriques et électroniques).

WAARSCHUWING!

DE GARANTIE VERVALT ZODRA DE BEHUIZING VAN
HET APPARAAT IS GEOPEND OF WANNEER ER
WIJZIGINGEN AAN HET APPARAAT ZIJN GEMAAKT

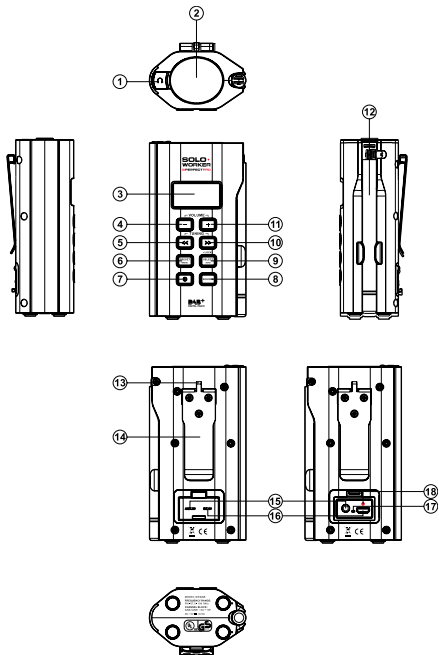
Belangrijke veiligheidsinstructies

1. Lees deze instructies.
2. Bewaar deze instructies.
3. Neem alle waarschuwingen in acht.
4. Volg alle instructies.
5. Gebruik het apparaat niet in de buurt van water.
6. Alleen schoonmaken met een droge doek.
7. Niet installeren in de buurt van warmtebronnen, zoals radiatoren, kachels of andere apparaten (inclusief versterkers) die warmte produceren.
8. Omzeil de veiligheidsdoeleinden van de gepolariseerde stekker niet. Een gepolariseerde stekker heeft twee pinnen, één is breder dan de ander. Een geaarde stekker heeft twee pinnen en een derde aardepin. De brede pin of derde pin is voor uw veiligheid. Als de geleverde stekker niet in uw stopcontact past moet u een elektricien raadplegen voor vervanging van het verouderde stopcontact.
9. Bescherm het netsnoer tegen stappen of pletten bij de stekker, het stopcontact en het punt waar ze het apparaat verlaten.
10. Gebruik alleen accessoires/hulpstukken die door de fabrikant zijn gespecificeerd.
11. Alleen gebruiken met het wagentje, standaard, driepoot, haak of tafel die gespecificeerd is door de fabrikant of verkocht met het apparaat. Beweeg, als er een wagentje wordt gebruikt, het wagentje voorzichtig om verwonding door omvallen te voorkomen.
12. Haal de stekker van het apparaat uit het stopcontact tijdens onweer of als het apparaat voor lange tijd niet wordt gebruikt.



13. Laat alle onderhoud over aan gekwalificeerd onderhoudspersoneel. Er is onderhoud nodig wanneer het apparaat is beschadigd, bijvoorbeeld wanneer het netsnoer is beschadigd, er vloeistof is gemorst op of voorwerpen zijn gevallen in het apparaat zijn gevallen, het apparaat is blootgesteld aan regen of vocht, niet normaal werkt of is gevallen.
14. Stel het apparaat niet bloot aan regen of vocht om het risico van brand of elektrische schok te voorkomen.
15. De schokgevaar-markering en de bijbehorende afbeelding staan op de achterkant van het apparaat.
16. Extreem hoge geluidsniveaus op oor-en koptelefoons kunnen het gehoor aantasten. Hogere instellingen op de equalizer leiden tot hogere voltagesignalen op de oor-en hoofdtelefoon.
17. De stekker moet zich in de buurt van de radio bevinden en moet altijd eenvoudig bereikt kunnen worden, zodat u de radio eenvoudig van het lichtnet kunt ontkoppelen in geval van nood. Haal in zo'n geval gewoon de stekker uit het stopcontact.
18. Als de stekker of een koppelapparaat wordt gebruikt als ontkoppelapparaat, zorg er dan voor dat deze eenvoudig bereikbaar blijft.
19. Dit apparaat wordt geleverd met bescherming tegen spatwater (IP64).
20. Gebruik alleen de netadapter die is geleverd door de fabrikant.
21. De batterijen mogen niet worden blootgesteld aan extreme warmte zoals zonlicht, vuur en dergelijke.
22. Om mogelijke gehoorschade te voorkomen niet op een hoog volume gedurende een lange periode luisteren.





Bedieningselementen

NL

① Hoofdtelefoonuitgang

② Luidspreker

* 360 GRADEN GELUID

De unieke neodymium luidspreker op de bovenkant van de radio levert een geluidsbeeld van 360 graden.

Suggestie: de radio kan voor extra geluidsreflectie in een hoek of dicht bij een muur worden geplaatst.

③ LCD-display

④ Volume verlagen

⑤ Afstemmen omlaag

⑥ Menu/Voorkeurszender

⑦ Power

⑧ Band

⑨ Select/Info

⑩ Afstemmen omhoog

⑪ Volume verhogen

⑫ Staafantenne

⑬ Houder draagriem

(Opmerking: de riemhouder op de bovenkant van de klem is bedoeld voor een sleutelhanger/haakje)

⑭ Klem

⑮ Aux-ingang

⑯ Stroomingang (micro-USB)

⑰ Oplaadindicator


⑱ Indicatie voor bovenzijde van de micro-USB

De radio opladen

Deze radio beschikt over een ingebouwde 1850mAh oplaadbare lithium batterij die de radio van stroom voorziet.

Laad de batterij volledig op voordat u de radio voor het eerst gebruikt met de meegeleverde 5V/500 mA AC adapter.

Steek de mini-usb stekker van de adapter **voorzichtig** in de stroomingang op de achterkant van uw radio. Een rode stip op de mini-usb stekker geeft de bovenzijde aan van de mini-usb stekker. Steek vervolgens de adapter in een standaard stopcontact, de radio begint nu met het opladen van de ingebouwde batterij.

De LED oplaadindicator naast de stroomingang licht fel rood op om aan te geven dat het laadproces is gestart. LED oplaadindicator licht zwak rood op wanneer de batterij volledig is geladen. De radio kan alleen worden opgeladen als deze is uitgeschakeld. De oplaadtijd bedraagt ca. 4 uur. De batterijduur bedraagt ca. 4-10 uur* als u luistert via de luidspreker en ca. 6-15 uur* bij gebruik van een hoofdtelefoon. Een verminderd vermogen, 'stotterend' geluid of de batterij-indicator die aangeeft dat de batterij "bijna leeg"  is zijn signalen dat de batterij moet worden opgeladen. Houd er rekening mee dat de batterij-indicator niet wordt getoond op het LCD-display als de batterij wordt opgeladen.

BELANGRIJK:

De netadapter wordt gebruikt om de radio aan te sluiten op het lichtnet. Het stopcontact dat wordt gebruikt om de radio van stroom te voorzien moet bereikbaar blijven tijdens normaal gebruik. Als u de radio volledig wilt loskoppelen van het lichtnet, haal dan de netadapter volledig uit het stopcontact.

Veiligheidsopmerking:

Gebruik, bedien of laad de radio nooit met netstroom op onder regenachtige of vochtige omstandigheden om te voorkomen dat er vocht in de radio kan komen. Houd de rubberen bedekking op de achterkant goed gesloten onder deze omstandigheden.

*** Opmerkingen over batterijduur:**

Dit is alleen een ruwe indicatie omdat de werkelijke batterijduur afhangt van vele verschillende factoren, zoals het volume, muziektype (muziek met veel bass verbruikt meer energie), de muziekbron of radioband, de instelling van de equalizer, de temperatuur en de leeftijd van de batterij.

Eerste gebruik–DAB

1. Strek de staafantenne voorzichtig uit en druk op Power.
2. Het display toont de melding "Welcome to Digital Radio", de radio begint met het scannen van het gehele DAB+ kanaalbereik en stopt bij de eerst gevonden zender. Als de radio eerder is gebruikt, dan zal de laatst gebruikte zender worden geselecteerd. Druk op Select om de zender af te spelen.
3. Druk op Afstemmen omhoog/omlaag om de zenderlijst weer te geven en de gewenste zender te zoeken. Druk op Select om de zender te selecteren. De radio stemt af op de zender en toont de naam van de zender.
4. Stel het volume naar wens in.

Opmerking:

Doordat het menselijk lichaam ook een geleider is, is het mogelijk dat de ontvangst van DAB-zenders slecht of zelfs onmogelijk is wanneer de antenne het lichaam raakt of zich erg dicht in de buurt van uw lichaam bevindt.

Dienstinformatie-DAB

De weergave van dienstinformatie-Technische informatie over de huidige status van de zender die wordt ontvangen.

Druk, terwijl u naar DAB luistert, continu op Select/Info om door informatie te bladeren over:

- a. Radiotekst**-Toont tekstberichten zoals de artiest of tracknaam, telefoonnummer, verkeersinformatie, etc.
- b. Programmatype (PTY)**-Toont het soort zender dat beluisterd wordt, bijvoorbeeld Pop, Klassiek, Nieuws, etc.
- c. Multiplexnaam**-Toont de naam van de DAB-multiplex waartoe de huidige zender behoort alsmede de uitzendfrequentie.
- d. Signaalsterkte**-Toon de signaalsterkte voor de huidige zender.
- e. Bitrate en audiotype**-Toont de digitale bitrate en informatie over de audiocodering voor de huidige zender.
- f. Datum**-Toont de huidige datum.

Menufuncties-DAB

Houd Menu ingedrukt om het menu te openen. Druk op Afstemmen omhoog/omlaag om een van de volgende opties te selecteren: EQ setting/Full scan/Manual tune/DRC value/Station order/Prune/System.

A) Full scan: Scan het gehele DAB-netwerk in uw regio.

De radio stemt nadat het scannen is voltooid af op de eerst gevonden zender.

B) Manual tune: Druk op Afstemmen omhoog/omlaag om door het hele DAB-kanaal te scrollen. Druk op Select om het gewenste kanaal te selecteren.

C) EQ setting: Het geluid op uw radio kan worden aangepast aan uw persoonlijke smaak voor het materiaal dat u beluistert. De radio heeft vijf voorgeprogrammeerde equalizermodi. Als alternatief kunt u ook het treble-en bass-niveau naar eigen voorkeur instellen.

Druk op Afstemmen omhoog/omlaag om door de voorgeprogrammeerde modi te bladeren. Druk op Select om uw keuze te bevestigen.

a) Normal: er wordt geen toonmodificatie toegepast

b) Rock

c) Soul & Jazz

d) Classical (klassiek)

e) Spoken word (gesproken woord)

f) Personal: selecteer deze modus om naar de persoonlijke instelling te gaan de treble/bass in te stellen.

Persoonlijke instellingen: Als de voorgeprogrammeerde equalizermodi niet het gewenste geluid bieden, dan kunt u als volgt zelf de treble en bass instellen:

- 1) Volg de bovenstaande stap om de persoonlijke instellingen te openen.
- 2) Druk op Afstemmen omhoog/omlaag om treble of bass te selecteren. Druk daarna op Select om de instelmodus te openen.
- 3) Druk op Afstemmen omhoog/omlaag om het treble-of bass-niveau in te stellen (tussen -10 en +10). Druk ter bevestiging op Select.

Opmerking:

Als u het effect van de persoonlijke instelling snel wilt annuleren, druk dan op Afstemmen omhoog/omlaag tot 'Normal' is geselecteerd op het display en druk daarna ter bevestiging op Select. De treble-en bass-instelling zullen worden opgeslagen voor de volgende keer dat u gebruik wilt maken van de persoonlijke instellingen.

D) DRC (Dynamic Range Control): De DRC-functie kan zachte geluiden eenvoudiger hoorbaar maken wanneer uw radio in een lawaaige omgeving wordt gebruikt. Gebruik Afstemmen omhoog/omlaag om de gewenste DRC-instelling te selecteren: De huidige instelling wordt aangegeven met een asterisk.

DRC Off: Geen compressie toegepast.

DRC High: Maximale compressie toegepast.

DRC Low: Gemiddelde compressie toegepast.

Opmerking:

Niet alle DAB-uitzendingen maken gebruik van de DRC-functie. Als de uitzending geen ondersteuning biedt aan DRC, dan zal de DRC-instelling op de radio geen effect hebben.

E) Station order: Uw radio heeft 3 instellingen voor de zendervolgorde. De instellingen voor de zendervolgorde zijn:

Alphanumeric: sorteert de zenderlijst alfanumeriek 0...9 A...Z

Ensemble: sorteert de zenderlijst op DAB-multiplex.

Valid: toont alleen de zenders waarvan een signaal kan worden ontvangen. De huidige instelling wordt aangegeven door een asterisk.

F) Prune: Als u bent verhuisd naar een ander deel van het land, dan is het mogelijk dat bepaalde zenders in de zenderlijst niet meer beschikbaar zijn. Ook kunnen bepaalde DAB-diensten van tijd tot tijd stoppen met uitzenden, of veranderen van locatie of frequentie.

Zenders die niet gevonden kunnen worden of die erg lang niet zijn ontvangen worden in de zenderlijst gemarkeerd met een vraagteken. Deze verwijderfunctie zal de gemarkeerde DAB-zenders uit uw zenderlijst verwijderen.

- 1) Druk op Select om de verwijderfunctie te openen.
- 2) Druk op Afstemmen omhoog/omlaag om YES (JA) te selecteren en alle niet-beschikbare zenders te verwijderen. Als u de zenders niet wilt verwijderen, selecteer dan NO (NEE) en het display keert terug naar het vorige menu.

G) System: druk op Select om een van de volgende instellingen te selecteren

- **Tijd/datum**

Handmatig de klok instellen

- 1) Druk op Afstemmen omhoog/omlaag tot 'Set Time/Date' is geselecteerd. Druk daarna op Select om de tijdsinstellingen te openen. De dagcijfers knippen.
- 2) Druk op Afstemmen omhoog/omlaag om de juiste dag te selecteren. Druk daarna ter bevestiging op Select. De maandcijfers knippen.
- 3) Volg dezelfde procedure voor het instellen van de maand/het jaar/het uur/de minuten. Als uw radio is ingesteld om gebruik te maken van het 12-uursformaat, dan zal er ook een optie zijn voor het instellen van AM of PM.

De klok automatisch bijwerken

- 1) Druk op Afstemmen omhoog/omlaag tot 'Auto update' is geselecteerd. Druk daarna op Select om het menu voor het automatisch bijwerken van de tijd te openen.
- 2) Druk op Afstemmen omhoog/omlaag om een van de volgende opties voor het bijwerken te selecteren 'Update from Any', 'Update from DAB', 'Update from FM', 'No update.' Druk ter bevestiging van uw keuze op Select. De radio zal het menu verlaten en terugkeren naar het vorige menu.

Het klokformaat instellen:

De klokweergave: De klokweergave kan worden ingesteld op het 12-of 24-uursformaat.

- 1) Druk op Afstemmen omhoog/omlaag tot 'Set format' is geselecteerd op het display. Druk op Select om het menu voor het instellen van het klokformaat te openen. Het huidige klokformaat is aangegeven met een asterisk.
- 2) Druk op Afstemmen omhoog/omlaag om het 12-of 24-uursformaat te selecteren. Druk ter bevestiging van uw keuze op Select.
 - **Contrast:** Het contrast van het display kan worden aangepast. Druk op Afstemmen omhoog/omlaag om het contrast aan te passen. De indicatie van het contrastniveau op het scherm verandert tegelijkertijd. Als u de instelling heeft gevonden die de beste leesbaarheid geeft op de locatie waar de radio wordt gebruikt, druk dan op Select om de instelling op te slaan.
 - **Taal:** uw radio kan de menu's in verschillende talen weergeven. Druk op Afstemmen omhoog/omlaag tot de gewenste taal is geselecteerd op het display. Druk op Select om uw keuze te bevestigen.
 - **Fabrieksreset:** door het uitvoeren van een fabrieksreset worden alle door de gebruiker ingestelde instellingen gewist. Druk op Afstemmen omhoog/omlaag om YES (JA) of NO (NEE) te selecteren. Selecteer YES om alle opgeslagen instellingen te wissen en alle instellingen te herstellen naar de fabrieksstandaard.
 - **Software upgrade**

Er kunnen in de toekomst software-updates beschikbaar komen voor uw radio. Als er software-updates beschikbaar zijn, dan kunt u deze updates en informatie over het updaten van de radio vinden op www.perfectpro.eu

BELANGRIJK:

Voer geen software-updates uit, tenzij geïnstrueerd door onze technici.

- **SW-versie:** De weergave van de softwareversie kan niet worden veranderd en dient alleen ter referentie. Druk op Select om de versie van de software die is geïnstalleerd op de radio te bekijken. Druk nogmaals op Select om terug te keren naar het vorige menu.

Uw radio bedienen-FM (Handmatig afstemmen)

1. Strek de staafantenne voorzichtig uit en schakel de radio in door op Power te drukken.
2. Druk op Band om de FM-modus te selecteren.
3. Druk op Afstemmen omhoog/omlaag om af te stemmen op de gewenste frequentie. De frequentie verandert met stappen van 50KHz. Wanneer het einde van de golfband is bereikt, dan zal de radio verder gaan vanaf het andere uiteinde van de golfband.
4. Druk op de volumetoetsen om het volume naar wens in te stellen.

Scannen-FM

1. Houd Afstemmen omhoog/omlaag ingedrukt.
2. De radio zoekt naar hogere of lagere frequenties tot er een zender met voldoende signaalsterkte wordt gevonden.

Dienstinformatie-FM RDS

Uw radio heeft een reeks weergave-opties in de FM-modus:

1. Druk op Info om door de verschillende opties te bladeren.
 - a. **Radiotekst**-Toont scrollende tekstberichten, zoals artiest/tracknaam, telefoonnummer, etc.
 - b. **Programmatype**-Toont informatie over de huidige zender, bijv. Pop, Klassiek. Nieuws, etc.
 - c. **Frequentie**-Toont de frequentie van het FM-signaal.
 - d. **Audiotype**-Toont het audiotype van de huidige zender.
 - e. **Datum**-Toont de huidige datum.

Opmerking:

als er geen RDS-informatie beschikbaar is, dan kan de radio alleen de frequentie tonen.

Er zal onder deze omstandigheden geen tekst of andere informatie beschikbaar zijn. De radio kan alleen informatie tonen als deze beschikbaar is.

Menufuncties-FM

1. Druk herhaaldelijk op Menu tot de radio terugkeert naar de normale weergave (d.w.z. dat er geen 'MEM Browse' of 'MEM Store' wordt getoond aan de onderkant van het display).
2. Houd Menu ingedrukt om de menulijst van de FM-modus te openen. Druk daarna op Afstemmen omhoog/omlaag om door de volgende opties te bladeren: EQ setting/FM Scan zone/FM audio/System (raadpleeg de bovenstaande paragrafen over de DAB-modus voor meer informatie over de functies voor het instellen van de equalizer en het systeem).

A) FM scan zone: Uw radio heeft een optie voor het zoeken naar lokale/verre zenders met de automatische scanfunctie. Door de optie in te stellen op lokaal scannen, kunnen zwakkere signalen van zenders die verder weg zijn worden genegeerd door de radio, waardoor sterke signalen eenvoudiger gevonden kunnen worden.

Druk op Afstemmen omhoog/omlaag om een keuze te maken uit de opties 'Local' (alleen sterke zenders) en 'Distant' (alle zenders inclusief verre zenders). Druk daarna ter bevestiging van uw keuze op. De huidige instelling wordt aangegeven met een asterisk.

B) FM audio: Als er een zender met een zwak signaal wordt ontvangen, dan kan er ruis hoorbaar zijn. Het is mogelijk deze ruis te verminderen door de radio te forceren de zender in mono af te spelen in plaats van in de automatische modus.

Druk op Afstemmen omhoog/omlaag om een keuze te maken uit de opties 'Mono' en 'Auto'. Druk daarna ter bevestiging van uw keuze op Select.

Voorkeurszenders instellen-DAB/FM

U kunt uw favoriete DAB-en FM-zenders opslaan als voorkeurszenders. Uw radio heeft 40 voorkeurszenders, 20 voor DAB en 20 voor FM. Voorkeurszenders worden door uw radio onthouden in geval van stroomuitval.

1. Stem af op de gewenste zender door de bovenstaande stappen te volgen.
2. Druk herhaaldelijk op Menu tot 'MEM Store' wordt getoond aan de onderkant van het display.
3. Druk op Afstemmen omhoog/omlaag om het gewenste voorkeurszendernummer te selecteren. Het nummer van de voorkeurszender knippert op het display om aan te geven dat er nog geen zender is opgeslagen onder het nummer. Druk op Select om de zender waarop is afgestemd op te slaan. Het display toont de melding 'Saved' wanneer de zender is opgeslagen in het geheugen van de radio. Herhaal de procedure voor de resterende voorkeurszenders. Als alternatief kunt u ook simpelweg op Select drukken (zonder Afstemmen omhoog/omlaag te gebruiken om een voorkeurszendernummer te selecteren) om de zender waarop is afgestemd op te slaan. De zender wordt nu opgeslagen onder het eerstvolgende ongebruikte voorkeurszendernummer (d.w.z. als voorkeurszender 1 tot 4 zijn gebruikt, dan zal de zender waarop is afgestemd automatisch worden opgeslagen onder voorkeurszendernummer 5).

Opmerking:

Voorkeurszenders kunnen worden overschreven door de bovenstaande procedure te volgen.

Een voorkeurszender oproepen-DAB/FM

1. Druk op Band om de gewenste modus te selecteren.
2. Druk herhaaldelijk op Menu tot 'MEM Browse' wordt getoond aan de onderkant van het display.
3. Druk op Afstemmen omhoog/omlaag om de gewenste zender te selecteren.

Opmerking:

Het display toont alleen de nummers van voorkeurszenders die in gebruik zijn (de nummers waaronder zenders zijn opgeslagen).

Muziek afspelen via de aux-ingang

Er zit een 3,5mm aux-ingang op de achterkant van de radio, waarmee het audiosignaal van apparaten met een hoofdtelefoon-of audio-uitgang, zoals iPod, MP3-speler of CD-speler, kan worden verstuurd naar de radio.

1. Druk op Band om de Aux-modus te selecteren.
2. Sluit een stereo-of mono-audiobron (bijvoorbeeld, iPod, MP3-speler of CD-speler) aan op de aux-ingang (gemarkeerd met 'AUX IN').
3. Stel het volume goed in op uw iPod, MP3-speler of CD-speler, zodat er een adequaat signaal van de speler komt, en gebruik vervolgens de volumeregeling van de radio om het volume op een comfortabel niveau in te stellen.
4. Koppel uw speler na gebruik los van de radio, zodat u normaal naar de radio kunt luisteren.

Opmerking:

Gebruik de Aux-ingang nooit onder regenachtige of vochtige omstandigheden om te voorkomen dat er vocht in de radio kan komen. Houd de rubberen afdekking aan de achterkant goed gesloten onder deze omstandigheden.

Hoofdtelefoonuitgang

Er zit een 3,5 mm stereo-hoofdtelefoonuitgang op de bovenkant van uw radio voor gebruik met een stereo-hoofdtelefoon of-oortelefoon. De radio zorgt er bij het aansluiten van een hoofdtelefoon automatisch voor dat de ingebouwde luidspreker wordt uitgeschakeld.

Belangrijk:

Overmatige geluidsdruk van oortelefoons en hoofdtelefoons kan uw gehoor beschadigen.

Opmerking:

Gebruik de hoofdtelefoonuitgang nooit onder regenachtige of vochtige omstandigheden om te voorkomen dat er vocht in de radio kan komen. Houd de rubberen afdekking op de bovenkant goed gesloten onder deze omstandigheden.

Toetsvergrendeling

De toetsvergrendeling wordt gebruikt om te voorkomen dat de toetsen van de radio per ongeluk kunnen worden ingedrukt.

1. Houd Select ingedrukt tot de tekst 'Keys Locked' wordt getoond op het display. De Power-toets en alle andere toetsen zijn uitgeschakeld en kunnen niet per ongeluk worden ingedrukt.
2. U kunt de toetsvergrendeling uitschakelen door Select nogmaals ingedrukt te houden tot de tekst 'Keys Unlocked' wordt getoond op het display.



Veiligheidsinformatie voor de interne oplaadbare lithium-ion batterij

De interne oplaadbare lithium-ion batterij die wordt gebruikt in dit apparaat kan voor lange tijd stroom leveren. Zelfs lithium-ion batterijen kunnen echter een punt bereiken waar ze niet meer opgeladen kunnen worden. Als de batterij zelfs na verschillende pogingen niet meer opgeladen kan worden, dan kan deze leeg zijn (of een lage capaciteit hebben). Neem in dit geval contact op met info@perfectpro.eu voor informatie over reparaties.

Als u echter niet wilt dat wij de batterij vervangen, dan moet u gebruikte batterijen/apparaten verwijderen in overeenstemming met de wet-en regelgeving in uw regio. Daarnaast kunt u voor het verwijderen contact opnemen met lokale elektronicawinkels of recyclingcentra.

Voorzorgsmaatregelen gebruiker

- Controleer of de kamertemperatuur tussen 0°C-45°C (32°-113° Fahrenheit) ligt voordat u de batterij oplaadt.
- Probeer de plastic behuizing of andere delen van het apparaat niet te demonteren, omdat de materialen giftig kunnen zijn en mogelijk uw huid en kleren kunnen beschadigen.
- Doorboor, plet, wijzig of gooi niet met de batterij en stel de batterij niet bloot aan onnodige schokken, omdat het **verkeerd behandelen van de batterij die wordt gebruikt in dit apparaat kan leiden tot een risico op brand, explosie en chemische brandwonden**.
- De batterij niet achterlaten, opladen of gebruiken in een auto in direct zonlicht en in de buurt van vuur of een warmtebron.
- De batterij niet onderdompelen of in contact laten komen met water/zeewater.
- Gebruik of laad de batterij niet op als deze abnormaal warm lijkt te zijn, als de batterij verkleurd of vervormd is of als er abnormale omstandigheden worden geconstateerd tijdens het gebruik, opladen of opbergen.
- Laat een opladende batterij niet onbeheerd achter. Houd de batterij uit de buurt van baby's en kinderen.

GARANTIE

U heeft op deze radio 2 jaar beperkte garantie.

WAARSCHUWING! De garantie vervalt zodra de behuizing van de radio is geopend of wanneer er wijzigingen aan de radio zijn gemaakt!

De garantievoorwaarden van deze radio bieden geen dekking voor het volgende:

- Schade veroorzaakt door verkeerd gebruik, misbruik, verwaarlozing, wijzigingen, ongelukken of niet-goedgekeurde reparaties.
- Normale slijtage.
- Het breken of buigen van de antenne.

Specificaties

Voeding:

Lichtnet (via meegeleverde netadapter)

AC 100-240 V, 50/60 Hz

DC 5V, 500 mA

Ingebouwde batterij: 3.7V/1850 mAh

Luidspreker: 4 ohm

Frequentiebereik:

FM: 87.50–108 MHz

DAB+ Band III: 5A–13F

Het bedrijf behoudt zich het recht voor om de specificaties te wijzigen zonder voorafgaande kennisgeving.



Indien u zich op enig moment in de toekomst wenst te ontdoen van dit product, houd er dan rekening mee dat: afgedankte elektrische producten dienen niet verwijderd te worden met huishoudelijk afval. Recycle waar mogelijk. Neem contact op met uw gemeente of winkelier voor recycling advies. (Afgedankte Elektrische en Elektronische Apparaten, AEEA)


WARNUNG!

DIE GARANTIE ERLISCHT, WENN DAS GEHÄUSE
DES GERÄTS GEÖFFNET WIRD ODER JEDWELCHE
MODIFIKATIONEN ODER ÄNDERUNGEN AM
URSPRÜNGLICHEN GERÄT VORGENOMMEN WERDEN.

Wichtige Sicherheitshinweise

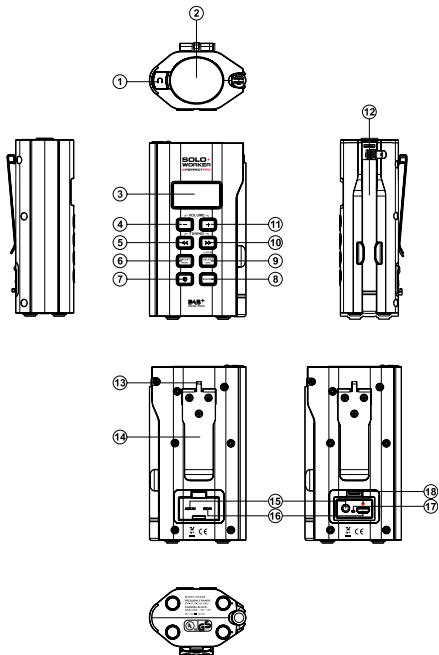
D

1. Lesen Sie sich diese Anleitung durch.
2. Bewahren Sie diese Anleitung auf.
3. Beachten Sie alle Warnhinweise.
4. Befolgen Sie die Anweisungen.
5. Benutzen Sie dieses Gerät nicht in der Nähe von Wasser.
6. Nur mit einem trockenem Tuch reinigen.
7. Stellen Sie das Gerät nicht in der Nähe von Hitzequellen, wie z. B. Heizungen, Herden oder anderen Geräten die Hitze produzieren (z. B. Verstärker) auf.
8. Wenn Ihr Gerät über einen polarisierten oder geerdeten Stecker verfügt, machen Sie auf keinen Fall diese Sicherheitsfunktion unbrauchbar. Ein polarisierter Stecker hat zwei Flügel, bei denen einer breiter als der andere ist. Verfügt der Stecker über eine Erdung, so ist ein dritter Erdungsflügel vorhanden. Der breite und der Erdungsflügel sind eingebaute Sicherheitsvorrichtungen. Wenn der Netzstecker Ihres Geräts nicht in Ihre Steckdose passt, wenden Sie sich bitte an einen ausgebildeten Elektriker.
9. Schützen Sie das Netzkabel vor Druckeinwirkung, insbesondere am Stecker, Steckdosen oder am Ausgangspunkts des Geräts.
10. Verwenden Sie lediglich vom Hersteller angegebenes Zubehör.

11. Das Gerät darf nur dann mit Wagen, Gestellen, Dreifüßen, Halterungen oder Tischen verwendet werden, wenn diese vom Hersteller entsprechend angegeben wurden oder zusammen mit dem Gerät verkauft wurden. Wenn ein Wagen benutzt wird, muss darauf geachtet werden, dass das Gerät nicht zusammen mit dem Wagen umkippt und Verletzungen verursacht.
12. Ziehen Sie bei Gewittern oder bei längerer Nichtbenutzung den Stecker aus der Steckdose. 
13. Wenden Sie sich im Wartungsfall nur an ausgebildetes Wartungspersonal. Das Gerät sollte gewartet bzw. repariert werden, nachdem es in irgendeiner Weise beschädigt wurde, wie z. B. bei Beschädigung des Netzkabels, nachdem Flüssigkeiten über das Gerät gegossen wurden oder Gegenstände in das Gerät gelangt sind, es herunter gefallen ist, nicht auf normale Weise funktioniert oder Feuchtigkeit ausgesetzt wurde.
14. Um Feuer und elektrischen Schlägen vorzubeugen, vermeiden Sie es das Gerät Regen oder Feuchtigkeit auszusetzen.
15. Ein Stromschlaggefahrsymbol und ein grafisches Warnsymbol sind zur Vorbeugung an der Unterseite des Geräts angebracht.
16. Übermäßiger Schalldruck von Kopfhörern kann Hörschäden verursachen. Höhere Einstellungen am Equalizer verursachen höhere Signalspannungen am Kopfhörerausgang.

17. Der Netzstecker sollte sich immer möglichst nahe am Radio befinden und leicht zugänglich bleiben, um ihn in Notfällen schnell und einfach aus der Steckdose ziehen zu können.
18. Wenn der Netzstecker oder eine Steckdose zum Ein- und Ausschalten des Geräts benutzt wird, achten Sie bitte immer darauf, dass die Steckdose jeder Zeit für den Benutzer erreichbar bleibt.
19. Dieses Gerät ist gegen Spritzwasser (IP64) geschützt.
20. Benutzen Sie nur den vom Hersteller zur Verfügung gestellten Netzadapter.
21. Die Batterien dürfen niemals starker Hitze, wie z. B. Sonnenlicht, Feuer o. Ä. ausgesetzt werden.
22. Um mögliche Gehörschäden zu vermeiden, setzen Sie sich nicht über längere Zeiträume hohen.





Bedienelemente

① Kopfhörerausgang

② Lautsprecher

* 360-GRAD-SOUND

Der sich auf der Oberseite des Radios befindliche, einzigartige Neodym-Lautsprecher bietet Ihnen ein 360-Grad-Klangerlebnis.

Empfehlung: Stellen Sie das Radio in eine Ecke oder nahe einer Wand, um eine zusätzliche Klangreflektion zu erhalten.

③ LCD-Anzeige

④ Lautstärke verringern

⑤ Frequenz verringern

⑥ Menü/Senderspeicher

⑦ Ein/Aus

⑧ Wellenbereich

⑨ Auswahl/Info

⑩ Frequenz erhöhen

⑪ Lautstärke erhöhen

⑫ Teleskopantenne

⑬ Trageriemenöse

(Hinweis: Die Trageriemenöse auf der Oberseite des Clips ist für einen Schlüsselring/-haken gedacht)

⑭ Clip

⑮ AUX-Eingang

⑯ Gleichstromeingang (Micro-USB)

⑰ Akku-Lade-LED-Anzeige


⑱ Anzeige für Oberseite des Mikro-USB Steckers

Aufladen des Radios

Dieses Gerät verfügt über einen eingebauten 1850-mAH-Lithiumakku zur Stromversorgung.

Bevor Sie das Radio zum ersten Mal einschalten, laden Sie bitte den Akku mithilfe des mitgelieferten 5V/500mA-Netzadapters vollständig auf.

Stecken Sie den Mini-USB-Stecker **sorgfältig** in die Buchse DC IN auf der Rückseite Ihres Radios ein. Die Oberseite des Mini-USB-Steckers ist mit einem roten Punkt gekennzeichnet. Über der Mini-USB-Buchse befindet sich ebenfalls ein roter Punkt. Schließen Sie das Netzteil an eine normale Steckdose an; das Radio beginnt mit dem Aufladen des integrierten Akkus.

Die LED-Ladeanzeige neben der Buchse DC IN leuchtet als Hinweis auf den aktiven Ladevorgang hellrot. Diese LED-Anzeige leuchtet schwach, wenn die Batterie vollständig geladen ist. Das Radio kann nur aufgeladen werden, wenn es ausgeschaltet ist. Die Ladezeit beträgt ca. 4 Stunden. Die Akkulaufzeit beträgt ca. 4-10 Stunden* bei Wiedergabe über die Lautsprecher und ca. 6-15 Stunden mit Kopfhörern. Verminderte Leistung, Verzerrung oder Stottern der Tonwiedergabe bzw. ein niedriger  Ladezustand des Akkus (Batteriesymbol) zeigen Ihnen, dass der Akku aufgeladen werden muss. Bitte beachten Sie, dass das Batteriestandssymbol während des Ladevorgangs nicht in der Anzeige erscheint.

WICHTIG:

Der Netzadapter wird benutzt, um das Radio mit dem Stromnetz zu verbinden. Die Netzsteckdose muss während des Betriebs jederzeit erreichbar bleiben. Wenn Sie das Gerät vom Netz nehmen möchten, ziehen Sie bitte den Netzadapter vollständig aus der Steckdose heraus.

Sicherheitshinweis:

Verwenden Sie niemals das am Stromnetz angeschlossene Radio unter regnerischen oder feuchten Bedingungen, um zu verhindern, dass Feuchtigkeit in das Gerät gelangt. Halten Sie die Gummiabdeckung auf der Rückseite unter diesen Bedingungen immer geschlossen.

*** Hinweis zur Batterielaufzeit:**

Es handelt sich hierbei um eine ungefähre Anzeige, da die tatsächliche Batterielaufzeit von vielen Faktoren abhängig ist, wie z. B.: eingestellte Lautstärke, Musikart (Bässe verbrauchen mehr Strom), Wiedergabequelle oder Wellenbereich, EQ-Einstellungen, Temperatur und Alter der Batterie.

Inbetriebnahme-DAB

1. Ziehen Sie die Teleskopantenne vollständig heraus und betätigen Sie die Ein/Aus-Taste, um das Radio einzuschalten.

2. In der Anzeige erscheint die Meldung "Welcome to Digital Radio" und das Radio fängt dann an das gesamte DAB+ Frequenzband zu durchsuchen. Sobald der erste Sender gefunden wird, stoppt der Suchvorgang. Wenn Sie das Radio in der Vergangenheit bereits benutzt haben, geht das Gerät auf den zuletzt benutzten Sender. Betätigen Sie die SELECT-Taste zur Wiedergabe des Senders.
3. Benutzen Sie die Frequenz Tasten zur Anzeige der Senderliste und wählen Sie den gewünschten Sender. Betätigen Sie die SELECT-Taste zur Auswahl des Senders. Das Radio geht zur Frequenz des entsprechenden Senders und zeigt den Sendernamen an.
4. Stellen Sie die Lautstärke auf ein angenehmes Maß.

Hinweis:

Aufgrund der Stromleitfähigkeit des menschlichen Körpers ist es u. U. nicht möglich DAB-Sender zu empfangen bzw. der Empfang kann beeinträchtigt werden, wenn die Antenne mit Ihrem Körper in Kontakt kommt oder ihm sehr nahe kommt.

Informationsanzeige-DAB

Informationsanzeige-technische Informationen über den aktuellen Status der vom Sender übertragenen Dienste.

Beim Hören eines DAB-Senders können Sie kontinuierlich die SELECT/INFO-Taste betätigen, um die folgenden Informationen anzuzeigen:

- a. **Radiotext**-Zeigt verschiedene Informationen als Lauftext an, wie z. B. Interpret/Titel, Telefonnummer, Webseite etc.
- b. **Programmart (PTY)**-Zeigt die Art des aktuellen Senders an (z. B. Pop, Klassik, Nachrichten, etc.).
- c. **Multiplexname**-Zeigt den Namen des DAB-Multiplex, zu dem der aktuelle Sender gehört, zusammen mit dessen Sendefrequenz, an. **Signalstärke**-Zeigt die Signalstärke des jeweiligen Senders an.
- e. **Bitrate/Audioformat**-Zeigt die Audio-Codierungs-Informationen und die Bitrate des aktuellen Senders an.
- f. **Datum**-Zeigt das aktuelle Datum an.

Menüfunktionen-DAB

Halten Sie die MENU-Taste gedrückt, um die Menüliste aufzurufen. Benutzen Sie die Frequenz Tasten zur Auswahl einer der folgenden Optionen: EQ setting (EQ-Einstellung)/Full Scan (Vollständige Suche)/Manual tune (Manuelle Suche)/DRC value (DRC-Wert)/Station order (Senderreihenfolge)/Prune (Nicht-aktive Sender entfernen)/System.

A) Vollständige Suche:

Das gesamte DAB-Netz Ihrer Region durchsuchen. Das Radio springt zum ersten gefundenen Sender, nachdem der Suchvorgang abgeschlossen ist.

B) Manuelle Suche:

Benutzen Sie die Frequenz Tasten zum Durchsuchen des gesamten DAB-Bands. Betätigen Sie die SELECT-Taste zur Auswahl des gewünschten Kanals.

C) EQ-Einstellung:

Der Klang des Radios Ihrem persönlichen Geschmack oder den Musikstücken, die Sie gerade hören, angepasst werden. Das Radio verfügt über fünf Equalizer-Modi. Alternativ können Sie auch die Höhen und Bässe Ihren persönlichen Vorstellungen anpassen.

Benutzen Sie die Frequenz Tasten zur Auswahl des gewünschten Modus. Betätigen Sie die SELECT-Taste zur Bestätigung Ihrer Auswahl.

a) Normal: Der Ton wird nicht verändert

b) Rock

c) Soul & Jazz

d) Klassik

e) Sprache

f) Benutzerdefiniert: Wählen Sie diesen Modus, um mit einer "benutzerdefinierten Einstellung Höhen und Bässe einzustellen.

Benutzerdefinierte Einstellung: Wenn die Equalizer-Voreinstellungen nicht Ihrem Geschmack entsprechen, können Sie eine benutzerdefinierte Höhen- und Tiefen-Einstellung wie folgt einstellen:

1) Folgen Sie den oben beschriebenen Schritten, um eine benutzerdefinierte Einstellung zu machen.

2) Benutzen Sie die Frequenz Tasten zur Auswahl von Treble oder Bass. Betätigen Sie die SELECT-Taste, um den Einstellungsmodus aufzurufen.

3) Benutzen Sie die Frequenz Tasten zum Verändern des Treble-bzw. Bass-Werts (-10 und +10). Betätigen Sie die SELECT-Taste zur Bestätigung der Einstellung.

Hinweis:

Um den benutzerdefinierten Effekt schnell wieder rückgängig zu machen, betätigen Sie die Frequenz Tasten, bis "Normal" in der Anzeige hervorgehoben wird, und betätigen Sie dann die SELECT-Taste. Die Einstellungen der Höhen und Bässe bleiben solange erhalten, bis Sie den benutzerdefinierten EQ das nächste Mal verändern.

D) Dynamikbereichsteuerung (DRC):

Dynamikbereichsteuerung (DRC) ermöglicht es leise Geräusche leichter zu hören, wenn das Radio in einer lärmigen Umgebung benutzt wird. Benutzen Sie die Frequenz Tasten zur Auswahl der gewünschten DRC-Einstellung. Die aktuelle Einstellung wird mit einem Sternchen markiert.

DRC Aus: Keine Kompression

DRC Hoch: Maximale Kompression

DRC Niedrig: Mittlere Kompression

Hinweis:

Nicht alle DAB-Sendungen ermöglichen die Benutzung der DRC-Funktion. Wenn die Sendung die DRC-Funktion nicht unterstützt, hat die DRC-Einstellung des Radios keinen Effekt.

E) Senderreihenfolge:

Ihr Radio verfügt über 3 Optionen zum Sortieren der Sender. Folgende Optionen stehen zum Sortieren der Sender zur Verfügung:

Alphanumerisch:

Alphanumerisches Sortieren der Senderliste 0...9 A...Z

Ensemble:

Sortiert die Sender entsprechend der DAB-Multiplex-Senderliste.

Gültig:

Zeigt nur die Sender, von denen ein Signal gefunden werden kann. Die aktuelle Einstellung wird mit einem Sternchen gekennzeichnet.

F) Nicht-aktive Sender entfernen:

Wenn Sie in einen anderen Teil Ihres Landes ziehen, kann es passieren, dass einige der Sender in der Senderliste nicht mehr verfügbar sind. Unter Umständen können DAB-Sender auch geschlossen werden oder ihren Standort bzw. Frequenz ändern.

Sender, die nicht gefunden oder die nicht für längere Zeit nicht empfangen werden können, werden in der Senderliste mit einem Fragezeichen markiert.

Mit dieser Funktion können Sie auf diese Weise markierte DAB-Sender aus der Senderliste löschen.

- 1) Betätigen Sie die SELECT-Taste, um die Funktion zum Entfernen nicht-aktiver Sender aufzurufen.
- 2) Benutzen Sie die Frequenz Tasten, um YES zu wählen, damit alle Sender, die nicht mehr verfügbar sind, entfernt werden. Wenn Sie nicht möchten, dass diese Sender entfernt werden, wählen Sie NO und die Anzeige kehrt zum vorigen Menü zurück.

G) System:

Betätigen Sie die SELECT-Taste zur Auswahl der folgenden Einstellungen.

- **Uhrzeit/Datum**

Manuelles Einstellen der Uhrzeit

- 1) Benutzen Sie die Frequenz Tasten, bis "Set Time/Date" hervorgehoben wird. Betätigen Sie die SELECT-Taste, um die Uhrzeiteinstellung aufzurufen. Die Tagesziffern beginnen zu blinken.
- 2) Benutzen Sie die Frequenz Tasten zur Auswahl des gewünschten Tags. Betätigen Sie die SELECT-Taste zur Bestätigung der Einstellung. Die Monatsanzeige beginnt daraufhin zu blinken.
- 3) Wiederholen Sie den oben beschriebenen Vorgang für die Einstellung von Monat, Jahr, Stunden und Minuten. Wenn das Radio zur Verwendung des 12-Stunden-Formats eingestellt wurde, steht an dieser Stelle ebenfalls eine Option zur Auswahl von AM/FM zur Verfügung.

Automatische Aktualisierung der Uhrzeit

- 1) Benutzen Sie die Frequenz Tasten, bis "Auto update" hervorgehoben wird. Betätigen Sie die SELECT-Taste, um das Auto-Update-Menü aufzurufen.
- 2) Benutzen Sie die Frequenz Tasten zur Auswahl von "Update from Any", "Update from DAB", "Update from FM" oder "No update". Betätigen Sie dann die SELECT-Taste, um Ihre Auswahl zu bestätigen. Das Radio kehrt dann zum vorigen Menü zurück.

Einstellen des Uhrzeitformats:

Die Uhrzeitanzeige kann auf das 12- oder 24-Stundenformat eingestellt werden.

1) Benutzen Sie die Frequenz Tasten, bis "Set format" in der Anzeige hervorgehoben wird. Betätigen Sie die SELECT-Taste, um das Uhrzeitformatmenü aufzurufen. Das momentan eingestellte Uhrzeitformat wird mit einem Sternchen gekennzeichnet.

2) Benutzen Sie die Frequenz Tasten zur Auswahl des 12- bzw. 24-Formats. Betätigen Sie die SELECT-Taste zur Bestätigung Ihrer Auswahl.

- **Kontrast:** der Kontrast der Anzeige kann eingestellt werden. Benutzen Sie die Frequenz Tasten zum Verändern des Anzeigekontrasts. Der Kontrastanzeige auf dem Bildschirm ändert sich zur gleichen Zeit. Wenn Sie eine Einstellung finden, die Ihnen eine optimale Lesbarkeit für den Standort, an dem das Radio benutzen, bietet, dann betätigen Sie die SELECT-Taste, um die Einstellung zu speichern.

- **Sprache:** Ihr Radio kann für andere Sprachen konfiguriert werden.

Benutzen Sie die Frequenz Tasten, bis die gewünschte Sprache in der Anzeige hervorgehoben wird. Betätigen Sie die SELECT-Taste zur Bestätigung Ihrer Auswahl.

- **Systemreset:** Wenn Sie einen Systemreset ausführen, werden alle vom Benutzer gemachten Einstellungen gelöscht. Benutzen Sie die Frequenz Tasten zur Auswahl von YES oder NO. Wählen Sie YES, um alle gespeicherten Einstellungen zu löschen und das Gerät auf die ursprünglichen Werkseinstellungen zurückzusetzen.

● **Software-Upgrade**

Software-Upgrades für Ihr Radio stehen möglicherweise in der Zukunft zur Verfügung. Wenn Software-Upgrades verfügbar sind, finden Sie die Upgrades und Informationen zum Upgrade unter: www.perfectpro.eu

WICHTIG:

Führen Sie keine Software-Updates durch, es sei denn es wurde entsprechend von unseren Techniker angewiesen.

- **SW-Version:** Diese Software-Version wird nur für Informationszwecke angezeigt und kann nicht geändert werden. Betätigen Sie die SELECT-Taste zur Anzeige der Software-Version, die auf dem Radio installiert ist. Betätigen Sie die SELECT-Taste erneut, um zum vorigen Menü zurückzukehren.

Bedienung-UKW (Manuelle Sendersuche)

1. Ziehen Sie die Teleskopantenne vollständig heraus und betätigen Sie die Ein/Aus-Taste, um das Radio einzuschalten.
2. Betätigen Sie die BAND-Taste zur Auswahl des UKW-Radiomodus.
3. Benutzen Sie die Frequenz Tasten zum Einstellen der Frequenz für die Radiowiedergabe. Die Frequenz wird in 50 Hz-Stufen eingestellt. Wenn das Ende des jeweiligen Frequenzbands erreicht wird, fährt das Radio mit der gegenüberliegenden Seite des Frequenzbands fort.
4. Benutzen Sie die Lautstärketasten, um die Lautstärke bei Bedarf zu verändern.

Automatische Sendersuche-UKW

1. Halten Sie eine der Frequenz Tasten gedrückt.
2. Das Radio beginnt dann in die entsprechende Richtung zu suchen, bis ein Sender mit ausreichender Signalstärke gefunden wird.

Informationsanzeige-UKW-RDS

Ihr Radio verfügt im UKW-Modus über eine Reihe von Anzeigeoptionen:

1. Betätigen Sie die INFO-Taste, um eine von verschiedenen Anzeigevarianten zu wählen.
 - a. **Radiotext**-Zeigt verschiedene Informationen als Lauftext an, wie z. B. Interpret/Titel, Telefonnummer, etc.
 - b. **Programmtext**-Zeigt Informationen des aktuellen Senders an (z. B. Pop, Klassik, Nachrichten, etc.).
 - c. **Frequenz**-Zeigt die Frequenz des UKW-Signals an.
 - d. **Audiotyp**-Zeigt den Audiotyp des aktuellen Senders an.
 - e. **Datum**-Zeigt das aktuelle Datum an.

Hinweis:

Wenn keine RDS-Informationen verfügbar sind, dann kann das Radio nur die Frequenz anzeigen.

Unter diesen Umständen stehen keine Text- oder Programm Informationen zur Verfügung. Das Radio bietet nur dann Anzeigeinformationen, wenn entsprechende Daten verfügbar sind.

Menüfunktionen-UKW

1. Betätigen Sie die MENU-Taste wiederholt, bis das Radio zur normalen Anzeige zurückkehrt (d. h. ohne "MEM Browse" oder "MEM Store" auf der Unterseite der Anzeige anzuzeigen).
2. Halten Sie die MENU-Taste gedrückt, um die UKW-Menüliste aufzurufen. Benutzen Sie die dann die Frequenz Tasten zur Auswahl einer der folgenden Optionen: EQ setting (EQ-Einstellung)/FM Scan zone (UKW-Suchbereich)/FM audio (UKW-Audio)/System (die Funktionen EQ und System sind im DAB-Abschnitt beschrieben).

A) UKW-Suchbereich

Ihr Radio verfügt über einen Lokal/Fern-Option für die automatische Sendersuche. Durch die Einstellung des Radios auf die "lokale" Suchoption, können schwächere Signale von weiter entfernten Sendern ignoriert werden, sodass stärkere Signale leichter gefunden werden.

Benutzen Sie die Frequenz Tasten zur Auswahl von "Local" (nur Sender mit starkem Signal) und "Distant" (alle Sender, inklusive entfernter). Betätigen Sie die SELECT-Taste zur Bestätigung der Einstellung. Der aktuelle Einstellung wird mit einem Sternchen gekennzeichnet.

B) UKW-Audio:

Wenn der eingestellte UKW-Radiosender nur über ein schwaches Signal verfügt, kann u. U. ein Rauschen hörbar sein. Es ist möglich solche Störgeräusche zu reduzieren, indem der Empfang von Auto auf Mono umgestellt wird.

Benutzen Sie die Frequenz Tasten zur Auswahl der Option "Mono" oder "Auto". Betätigen Sie die SELECT-Taste zur Bestätigung Ihrer Auswahl.

Sender speichern-DAB und UKW

Sie können Ihre bevorzugten DAB-und UKW-Radiosender unter den zur Verfügung stehenden Senderspeichern speichern. Es stehen 40 Speicherplätze in Ihr Radio 20 für DAB und 20 für UKW. Die gespeicherten Sender bleiben im Falle eines Stromausfalls erhalten.

1. Stellen Sie den gewünschten Sender mithilfe der oben beschriebenen Schritte ein.
2. Betätigen Sie wiederholt die MENU-Taste, bis "MEM Store" unten in der Anzeige erscheint.
3. Benutzen Sie die Frequenz Tasten zur Auswahl der gewünschten Senderspeichernummer. Die Senderspeichernummer blinkt in der Anzeige, um anzuzeigen, dass der Speicher noch leer ist. Betätigen Sie die SELECT-Taste, um den aktuellen Sender zu speichern. In der Anzeige erscheint "Saved", wenn der Sender gespeichert wurde. Wiederholen Sie diesen Vorgang für die verbleibenden Senderspeicher. Sie können ebenfalls einfach die SELECT-Taste betätigen (ohne die Frequenz Tasten zur Auswahl der gewünschten Senderspeichernummer zu benutzen), um den momentan eingestellten Sender zu speichern. Der Sender wird in den verbleibenden Speicherplätzen abgelegt (d. h. wenn die Speicherplätze 1 bis 4 belegt sind, wird der gewünschte Sender automatisch unter dem Speicherplatz 5 abgelegt).

Hinweis:

Wenn Sie eine Sendertaste erneut konfigurieren, wird der vorher gespeicherte Sender überschrieben.

Abruf gespeicherter Sender – DAB/UKW

1. Betätigen Sie die BAND-Taste zur Auswahl des gewünschten Modus.

2. Betätigen Sie wiederholt die MENU-Taste, bis "MEM Browse" unten in der Anzeige erscheint.
3. Benutzen Sie die Frequenz Tasten zur Auswahl der gewünschten Senders.

Hinweis:

In der Anzeige werden Senderspeichernummern, die belegt sind, angezeigt.

Musikwiedergabe über den Aux-Eingang

Auf der Rückseite Ihres Geräts befindet sich ein 3,5-mm-Stereo-Aux-Eingang, mit dem Sie Audiogeräte mit einem Kopfhörer-bzw. Audioausgang, wie z. B. iPods, MP3- oder CD-Player, an das Gerät anschließen können.

1. Betätigen Sie die BAND-Taste zur Auswahl des AUX-Modus.
2. Schließen Sie ein Stereo- oder Mono-Audiogerät (z. B. iPod, MP3- oder CD-Player) über den Aux-Eingang (mit der Aufschrift "Aux In") an.
3. Stellen Sie die Lautstärke an Ihrem iPod, CD-Player oder MP3-Player ein, um sicher zu gehen, dass ein angemessen starkes Signal vorhanden ist. Stellen Sie die Lautstärke des Lautsprechers auf ein angenehmes Maß.
4. Trennen Sie Ihren Player nach der Benutzung vom Radio ab, um das Radio wieder wie gewohnt nutzen zu können.

Hinweis:

Verwenden Sie den Aux-Eingang niemals unter regnerischen oder feuchten Bedingungen, um zu verhindern, dass Feuchtigkeit in das Gerät gelangt. Halten Sie die Gummiabdeckung auf der Rückseite unter diesen Bedingungen immer geschlossen.

Kopfhörerausgang

Der 3,5mm-Stereo-Kopfhöreranschluss befindet sich auf der Oberseite des Geräts und steht für die Verwendung mit Stereo-Kopfhörern oder Headsets zur Verfügung. Wenn Sie Kopfhörer am Gerät anschließen, wird der eingebaute Lautsprecher automatisch ausgeschaltet.

Wichtig:

Eine zu hohe Lautstärke kann bei der Benutzung von Ohrhörern und Kopfhörern zu Gehörschäden führen.

Hinweis:

Verwenden Sie den Kopfhörerausgang niemals regnerischen oder feuchten Bedingungen, um zu verhindern, dass Feuchtigkeit in das Gerät gelangt. Halten Sie die Gummiabdeckung auf der Oberseite unter diesen Bedingungen immer geschlossen.

Tastensperre

Die Tastensperre wird verwendet, um unbeabsichtigte Tastenbetätigung zu verhindern.

1. Halten Sie die SELECT-Taste gedrückt, bis "Keys Locked" in der Anzeige erscheint. Der Ein/-Aus-Schalter und alle anderen Tasten werden dann gesperrt, um eine versehentliche Betätigung der Tasten zu verhindern.
2. Halten Sie die SELECT-Taste erneut gedrückt, bis "Keys Unlocked" in der Anzeige erscheint, um die Tastensperre aufzuheben.



Sicherheitsinformationen zum eingebauten Lithium-Ionen-Akku

Der eingebaute Lithium-Ionen-Akku in diesem Gerät kann der Gerät für eine lange Zeit mit Strom versorgen. Bedenken Sie allerdings, dass selbst Lithium-Ionen-Akkus zu einem bestimmten Zeitpunkt nicht mehr aufgeladen werden können. Wenn der Akku nach mehreren Versuchen nicht mehr aufgeladen werden kann, kann es sein, dass er leer ist (d. h. eine zu niedrige Spannung hat). Wenden Sie sich in diesem Fall an info@perfectpro.eu für Informationen zu einer möglichen Reparatur. Wenn Sie es allerdings nicht wünschen, dass wir den Akku für Sie auswechseln, achten Sie darauf, dass Altbatterien in Übereinstimmung mit geltenden Vorschriften entsorgt werden müssen. Wenden Sie sich bitte ggf. an Ihren Händler oder lokalen Recyclinghof für detaillierte Informationen und Entsorgungswege.

D

Vorsichtsmaßnahmen

- Überprüfen Sie, ob die Raumtemperatur sich in einem Bereich von 0°C – 45°C befindet, bevor Sie den Akku aufladen.
- Versuchen Sie nicht das Plastikgehäuse oder andere Teile des Geräts auseinanderzubauen, da die Materialien im Inneren des Geräts giftig sein können und Ihre Haut-bzw. Kleidung eschädigen können.
- Der in diesem Gerät benutzte Akku darf nicht durchlöchert, zerdrückt, modifiziert, geworfen oder Stoßeinwirkungen ausgesetzt werden, da es zur **Brandbildung oder chemischen Verätzungen führen kann, wenn er nicht sachgemäß behandelt wird.**
- Setzen Sie den Akku niemals direkter Sonneneinstrahlung in einem Fahrzeug, der Nähe von Flammen oder Hitzequellen aus.
- Tauchen Sie niemals den Akku in Wasser ein.
- Benutzen Sie keine bzw. laden Sie keine Akkus auf, wenn diese ungewöhnlich heiß, verfärbt, deformiert oder in anderweitig ungewöhnlichem Zustand während der Benutzung, des Aufladens oder Aufbewahrung sind.
- Lassen Sie niemals einen Akku während der Ladevorgangs unbeaufsichtigt. Halten Sie den Akku außer Reichweite von Kindern und Säuglingen.

GARANTIE

Das Radio verfügt über eine 2-jährige Garantie.

WARNUNG! Der Garantieanspruch erlischt, sobald der das Gehäuse des Radios geöffnet wird oder irgendwelche Modifikationen oder Änderungen an dem Radio vorgenommen werden!

Ein Anspruch auf Garantie dieses Radios ist in den folgenden Fällen nicht gegeben:

- Schäden, die durch Missbrauch, Vernachlässigung, Änderungen, Unfälle oder unsachgemäße Reparatur verursacht werden.
- Normale Abnutzung und Verschleiß.
- Brechen oder Biegen der Antenne.

Technische Daten

Stromversorgungsanforderungen:

Netzbetrieb (über mitgelieferten Netzadapter)

100-240 VAC, 50/60 Hz

5 VDC, 500 mA

Eingebauter Akku: 3,7 V/1850 mAh

Lautsprecher: 4 Ohm

Frequenzbereich:

UKW: 87,50-108 MHz

DAB+ Band III: 5A – 13F

*Veränderungen der Spezifikationen ohne vorherige
Ankündigung vorbehalten.*





Sollten sind irgendwann das Gerät nicht mehr benutzen, bedenken Sie bei der Entsorgung bitte, dass Altgeräte niemals mit dem normalen Hausmüll entsorgt werden sollten. Geben Sie das Gerät zum Recycling, soweit dies möglich ist. Wenden Sie sich bitte an Ihre lokalen Behörden oder Ihren Händler für mehr Informationen zur Entsorgung dieses Geräts. (WEEE-Richtlinie-Waste Electrical and Electronic Equipment Directive.)

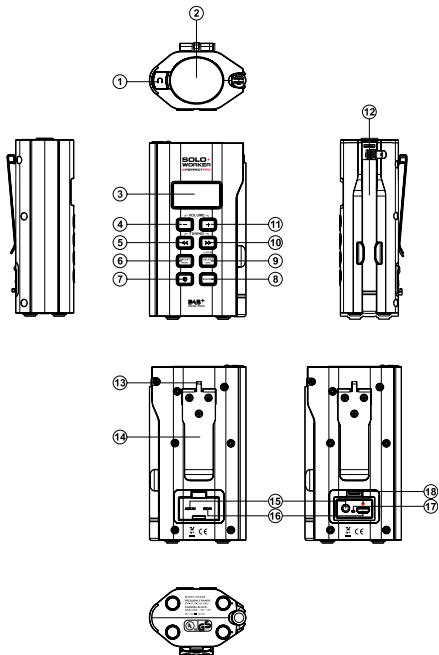
ADVARSEL!

GARANTIEN ER UGYLDIG HVIS KABINETTET HAR
BLITT ÅPNET ELLER ANDRE MODIFIKASJONER ELLER
ENDRINGER HAR BLITT GJORT PÅ DET OPPRINNELIGE
PRODUKTET

Viktige sikkerhetsinstruksjoner

1. Les disse instruksene.
2. Ta vare på disse instruksene.
3. Lytt til alle advarsler.
4. Følg alle instruksene.
5. Ikke bruk dette apparatet i nærheten av vann.
6. Rengjør kun med en tørr klut.
7. Ikke plasser apparatet nær varmekilder som radiatorer, varmeutløp, ovner, eller andre apparater (inkludert forsterkere) som danner varme.
8. Ikke ødelegg sikkerhetsfunksjonen til det polariserte eller jordete støpslet. Et polarisert støpsel har to blader, der ett er bredere enn det andre. Et jordet støpsel har to blader og en spiss. Det brede bladet eller spissen er der for din sikkerhet. Hvis støpslet ikke passer i stikkontakten din, vennligst søk hjelp av en elektriker for å bytte ut stikkontakten. (COMMENT FROM TRANSLATOR: In Norway there is only one kind of plug for connections, and it only has two prongs)
9. Beskytt kablen fra å bli tråkket på eller å komme i klem, spesielt ved støpsler, stikkontakter og der kablen kommer ut av apparatet.
10. Bruk kun tilbehør som er godkjent av produsenten.
11. Bruk kun med trallen, stativet, tripoden, braketter eller bordet som er spesifisert av produsenten eller solgt med apparatet. Ved bruk av tralle, vis varsomhet ved flytting av tralle/apparat kombinasjonen for å forhindre velteskade.

12. Koble apparatet fra strømuttaket ved tordenbyger eller når apparatet ikke brukes over lengre tid. 
13. All service bør utføres av profesjonelle. Service vil trenge når apparatet har blitt skadet, for eksempel ved skade på strømkabelen eller støpslet, det har blitt sølt væske på, objekter har falt inn i apparatet, hvis apparatet har blitt utsatt for regn eller fuktighet, ikke fungerer som normalt, eller har falt eller blitt mistet fra en høyde.
14. For å redusere risikoen for brann eller støt, må apparatet ikke utsettes for regn eller fuktighet.
15. Merking for støtfare og tilhørende grafisk symbol finnes på baksiden av enheten.
16. Overdrevet lydtrykk på øret, og hodetelefoner, kan svekke hørselsevnen. Instillinger høyere enn "idle" på equalizeren fører til høyere signalspenning på signalet til øret og hodetelefonene.
17. Støpslet bør være nært radioen og lett tilgjengelig i en krisesituasjon. For å koble av strømmen fra radioen, er det bare å koble støpslet fra vekselstrømskontakten.
18. Der en nettleddning eller en apparatkobling er i bruk, må den frakoblede enheten være lett tilgjengelig.
19. Dette apparatet har beskyttelse mot vannsprut (IP64).
20. Bruk kun strømadaptere som er godkjent av produsenten.
21. Batteriene må ikke utsettes for ekstrem varme, som for eksempel solskinn, brann eller lignende.
22. For å forebygge mulige hørselsskader må du ikke ha volumet for høyt på over lengre perioder når du hører på musikk. 



Kontroller

① Tilkobling for hodetelefon

② Høytaler

* 360-GRADERS LYD

Den unike Neodymium høytaleren på toppen av radioen gir et lydbilde på 360 grader.

Tips: Hvis det er ønskelig, kan radioen plasseres i et hjørne eller nær en vegg for ekstra refleksjon av lyden.

③ LCD display

④ Volum ned

⑤ Søk ned

⑥ Meny/Forhåndsinnstillingsknapp

⑦ Av-/På-knapp

⑧ Modusvelger

⑨ Velg-/Infoknapp

⑩ Søk opp

⑪ Volum opp

⑫ Antenne

⑬ Remfeste

(Tips: Remfestet på toppen av klipsen er ment for nøkkelringer/kroker)

⑭ Klips

⑮ Aux-inngang

⑯ DC INN-kontakt (micro-USB)

⑰ LED indikator for batterilading.


⑱ Indikator for oversiden av mikro-USB-pluggen

Lading av radioen

Denne enheten drives av et innebygget og oppladbart 1850 mAH litiumbatteri.

Vennligst lad batteriet til det er fullt med den medfulgte 5V/500mA-laderen før du bruker radioen for første gang.

Sett mini-USB-pluggen **forsiktig** inn i DC IN-kontakten på baksiden av radioen. En rød prikk på mini-USB-pluggen indikerer oversiden av mini-USB-pluggen. Denne røde prikken er også angitt over inntaket for mini-USB-en. Plugg adaptoren inn i et standard strømuttak, og batteriet i radioen vil begynne å lades.

LED-ladeindikatoren ved siden av DC IN-kontakten lyser lys rødt og viser at lading pågår. LED-indikatoren lyser svakt når batteriet er fulladet. Du kan bare lade radioen når den er avslått, og ladetiden er omtrent 4 timer. Batteriet varer i 4 til 10 timer ved bruk av høyttaler og 6 til 15 timer ved bruk av hodetelefoner. Lite strøm, forvrengning, hakkelyder eller batteriikonet for lite strøm  er alle tegn på at batteriet trenger og lades. Vennligst vær oppmerksom på at batteriikonet ikke vises på LCD-displayet under lading.

VIKTIG:

Støpselet er koblingen mellom radioen og strømtilførselen. Kontakten som brukes må være lett tilgjengelig under vanlig bruk. For å fullstendig koble fra radioen, må støpselet fjernes helt fra kontakten.

Sikkerhetstips:

Koble aldri til strømtilførselen under regnfulle eller fuktige omstendigheter for å forhindre at fukt kommer inn i radioen. Hold alltid gummilokket på baksiden ordentlig lukket i slike situasjoner.

*** Notat om levetiden til batteriet:** Dette er kun en omtrentlig anmodning siden egentlig levetid for batterier avhenger av mange faktorer som: valgt volumnivå, musikktype (musikk med mye bass krever mer strøm), valgt musikk kilde eller radiotype, valgte EQ-innstillinger, temperatur, og hvor gammelt batteriet er.

Førstegangsbruk-DAB

1. Rett ut antennen forsiktig og trykk på På-knappen.
2. Det vil stå "Velkommen til Digital Radio", så vil radioen begynne å skanne alle DAB+ kanalene og stoppe ved den første kanalen den finner. Hvis radioen har vært i bruk tidligere, vil den kanalen som sist ble brukt bli valgt. Trykk på Velg-knappen for å spille av kanalen.
3. Trykk på Søk opp/ned for å se kanallisten og finne den ønskede kanalen. Trykk på Velg-knappen for å velge kanalen. Radioen vil finne kanalen og vise kanalnavnet.
4. Juster volumkontrollen til et behaglig lyttevolum.

OBS:

Fordi menneskekroppen kan fungere som strømleder, kan mottaket til DAB-kanalen bli ustabil eller umulig når antennen kommer borti, eller er veldig nær kroppen din.

Tjenesteinformasjon-DAB

Informasjonsdisplayet – Teknisk informasjon om den valgte radiostasjonen.

Når du hører på DAB kan du forsette å trykke på Valg/Info-knappen for å bla gjennom informasjon om:

- a. Radiotekst**-Viser tekstmeldinger om artisten eller spornavn, telefonnummer for innringing, trafikkvarsler osv.
- b. Programtype (PTY)**-Viser informasjon om stasjonen du hører på, for eksempel pop, klassisk, nyheter osv.
- c. Multiplexnavn**-Viser navnet til DAB-multiplexet som den valgte stasjonen tilhører, og også kringkastingsfrekvensen.
- d. Signalstyrke**-Viser signalstyrken til stasjonen du hører på.
- e. Bit-rate og lydtype**-Viser digital bit-rate og lydkodingsinformasjon for den valgte radiostasjonen.
- f. Dato**-Viser den nåværende datoen.

Menyfunksjoner-DAB

Trykk og hold på Menyknappen for å gå inn på menylisten. Trykk på Søk opp/ned-knappene for å velge blant de følgende valgene: EQ-innstillinger/Fullt søk/Manuelt søk/DRC-verdi/Kanalrekkefølge/Trimming/System.

- A) Fullt søk:** Søk gjennom hele DAB-nettverket i området ditt. Når søket er fullført, vil radioen vil søke seg frem til den første stasjonen den fant.

B) Manuelt søk: Trykk på Søk opp/ned-knappen for å søke gjennom alle DAB-kanalene.

Trykk på Velg-knappen for å velge den ønskede kanalen.

C) EQ-instillinger: Lyden på radioen din kan justeres for å tilpasse seg din personlige smak for alt du hører på.

Radioen har fem forhåndsinstilte equalizer-modus.

Alternativt kan du også selv velge diskant-og bassnivåer.

Trykk på Søk opp/ned-knappene for å bla gjennom de forhåndsinstilte modusene. Trykk på Velg-knappen for å bekrefte valget ditt.

a) Normal: Det er ikke brukt noen lydjusteringer

b) Rock

c) Soul & Jazz

d) Klassisk

e) Tale

f) Personlig: Velg dette moduset for å gå inn på 'Personlig modus' og justere diskanten og bassen.

Personlig modus: Hvis du ikke liker de forhåndsinstilte equalizer-valgene, kan du selv endre diskant og bass slik:

1) Følg trinnene over og gå inn på 'Personlige modus'.

2) Trykk på Søk opp/ned-knappene for å velge Diskant eller Bass, og trykk så på Velg-knappen for å gå inn i justeringsmodus.

3) Trykk på Søk opp/ned-knappene for å justere diskant-eller bassnivået (-10 og +10). Trykk på Velg-knappen for å bekrefte innstillingen.

Tips:

For å raskt skru av Personlig equalizer-effekten, trykker du på Søk opp/ned knappene til 'Normal' er markert og trykker på Velg-knappen. Innstillingene for diskant og bass vil bli husket til neste gang du velger Personlig modus.

D) DRC (Dynamic Range Control): DRC kan gjøre lave lyder lettere å høre når radioen befinner seg i støyende omgivelser. Bruk Søk opp/ned-knappene for å merke den ønskede DRC-innstillingen.

Den valgte innstillingen er markert med en stjerne.

DRC av: Ingen kompressjon.

DRC høy: Maksimal kompressjon.

DRC lav: Medium kompressjon.

OBS:

Ikke alle DAB-kringkastinger kan bruke DRC-funksjonen. Hvis kringkastingen ikke støtter DRC, så vil DRC-innstillingen ikke ha noen effekt.

E) Stasjonsrekkefølge: Radioen din har 3 innstillinger for stasjonsrekkefølge som du kan velge. Innstillingene er som følger:

Alfanumerisk: Sorterer stasjonslisten alfanumerisk 0...9A...Å.

Samling: Bruker DAB multiplex til å organisere stasjonene.

Gyldige: Viser kun de stasjonene som er tilgjengelige.

Den gjeldende innstillingen er merket med en stjerne.

F) Trimming: Hvis du flytter til en annen del av landet, kan det hende at noen stasjoner i listen din ikke lenger er tilgjengelige. Det hender også at noen DAB-tjenester ender kringkasting, endrer beliggenhet eller frekvens.

Stasjoner som ikke kan bli funnet, eller som ikke har blitt mottatt på veldig lang tid blir vist merket med et spørsmålstegn i stasjonslisten.

- 1) Trykk på Velg-knappen for å komme til trim stasjoner-funksjonen.
- 2) Trykk Søk opp/ned-knappene for å velge JA slik at stasjonslisten blir trimmet og de utilgjengelige stasjonene blir tatt vekk. Hvis du ikke ønsker å trimme stasjonene, velger du NEI, og displayet går da tilbake til den forrige menyen.

G) System: Trykk på Velg-knappen for å velge følgende instillinger:

- **Tid/Dato**

Manuell stilling av klokken

- 1) Trykk Søk opp/ned-knappene til 'still tid/dato' blir uthevet. Trykk så på Velg-knappen for å gå inn på tidsinstillinger. Dagstallene vil blinke.
- 2) Trykk Søk opp/ned-knappene for å velge den rette dagen. Trykk på Velg-knappen for å bekrefte innstillingen. Månedstallene vil blinke.
- 3) Følg de same trinnene over for stilling av måned, år, time og minutt. Hvis radioen er satt til 12-timers format, vil du ha muligheten til å velge AM eller PM for klokketiden.

Automatisk oppdatering av klokken

- 1) Trykk på Søk opp/ned-knappene til 'Auto-oppdatering' utheves. Trykk så på Velg-knappen for å gå inn på menyen for auto-oppdatering.

2) Trykk på Søk opp/ned-knappene for å velge en oppdateringsmetode blant valgene: 'Oppdater fra vilkårlig', 'Oppdater fra DAB', 'Oppdater fra FM', 'Ingen oppdatering'. Trykk på Velg-knappen for å bekrefte valget ditt. Radioen vil så gå tilbake til menydisplayet.

Stille inn klokkeformat: Klokkeformatet kan settes til 12- eller 24-timers format.

1) Trykk på Søk opp/ned-knappene til 'Still format' er uthevet i displayet. Trykk på Velg-knappen for å gå inn på menyen for klokkeformatet. Det gjeldende klokkeformatet er merket med en stjerne.

2) Trykk på Søk opp/ned-knappene for å enten velge 12- eller 24-timers format. Trykk på Velg-knappen for å bekrefte valget ditt.

● **Kontrast:** Kontrasten på displayet kan justeres.

Trykk på Søk opp/ned-knappene for å justere kontrasten. Kontrastnivåindikatoren på skjermen vil forandre seg mens du trykker. Når du finner det nivået som gir best lesbarhet på det stedet der radioen skal benyttes, trykker du på Velg-knappen for å lagre innstillingen.

● **Språk:** Radioen din kan konfigureres til et annet språk.

Trykk på Søk opp/ned-knappene til det språket du ønsker å bruke utheves i displayet. Trykk på Velg-knappen for å bekrefte valget ditt.

● **Fabrikkinnstillinger:** Ved å velge fabrikkinnstillinger, vil alle innstillingene som er gjort av brukeren bli slettet.

Trykk på Søk opp/ned-knappene for å velge JA eller NEI. Velg JA for å slette alle lagrede innstillinger og sette alle innstillingene til de verdiene som er standard fra fabrikk.

● **Software-oppdatering**

Det kan hende software-oppdateringer til radioen din vil bli tilgjengelige i fremtiden. Når software-oppdateringer blir tilgjengelige kan software og informasjon om hvordan du kan oppdatere radioen finnes på www.perfectpro.eu

VIKTIG:

Ikke gjør software-oppdateringer uten veiledning fra en tekniker.

● **SW-versjon:** Softwaredisplayet kan ikke endres og er bare for din egen henvisning.

Trykk på Velg-knappen for å se software versjonen som er installert på radioen. Trykk på Velg-knappen igjen for å gå tilbake til den forrige menyen.

Bruk av radioen din-FM (Manuell søking)

1. Rett ut antennen forsiktig og trykk på På-knappen.
2. Trykk på Modusvelger for å velge FM radiomodus.
3. Trykk på Søk opp/ned-knappene for å kontrollere frekvensen som radioen skal søke seg til. Frekvensen endrer seg i 50KHz-intervaller. Når radiobåndet har nådd slutten, begynner radioen å søke fra begynnelsen.
4. Trykk på Volumknappene for å justere lydnivået etter behov.

Søking-FM

1. Trykk of hold Søk opp/ned-knappene nede.
2. Radioen vil søke popover eller nedover til den finner en stasjon med god nok signalstyrke.

Tjenesteinformasjon-FM RDS

Radioen din har en rekke visningsmuligheter når FM-modus er i bruk:

1. Trykk på Info-knappen (Velg-knappen) for å bla gjennom de forskjellige alternativene.
 - a. **Radiotekst**-Viser rullende tekstmeldinger med info om for eksempel artist/spornavn, telefonnummer for innringing osv.
 - b. **Programtype**-Viser informasjon om stasjonen du hører på, for eksempel pop, klassisk, nyheter osv.
 - c. **Frekvens**-Viser frekvensen til FM-signalet.
 - d. **Lydtype**-Viser lydtypen til stasjonen den valgte stasjonen.
 - e. **Dato**-Viser den nåværende datoen

OBS:

Hvis ingen RDS-informasjon er tilgjengelig, vil radioen kun vise frekvensen.

Under slike omstendigheter, når det ikke er tekst-eller programtypeinformasjon tilgjengelig, viser radioen viser tilgjengelig informasjon.

Menyfunksjoner-FM

1. Fortsett å trykke på og slippe Menyknappen til radioen går tilbake til normalt display. (dvs. Uten at 'MEM Browse' eller 'MEM Store' vises på bunnen av displayet.)
2. Trykk og hold Menyknappen nede for å gå inn på FM-menylisten. Trykk så på Søk opp/ned-knappene for å bla gjennom de følgende valgene: EQ-instillinger/FM Søkesone/FM-lyd/System (for funksjonene til EQ-instillinger og System, vennligst henvend deg til seksjonene over i DAB-modus).

A) FM Søkesone: Radioen din har et valg for Lokalt eller Fjernt i autosøkfunksjonen. Ved å velge lokalt søk, vil svake signaler fra sendere lenger unna bli ignorert av radioen slik at sterke signaler blir lettere å finne.

Trykk på Søk opp/ned-knappene for å velge mellom 'Lokalt' (Kun sterke stasjoner) og 'Fjernt' (Alle stasjoner, inkludert radiostasjoner som er langt unna). Trykk så på Velg-knappen for å bekrefte den valgte innstillingen. Den valget ditt vil være merket med en stjerne.

B) FM-lyd: Hvis FM-stasjonen du hører på har et svakt signal, kan det hende at det er mulig å høre hissing. Du kan dempe denne hisselyden ved å tvinge radioen til å spille av stasjonen i mono i stedet for auto.

Trykk på Søk opp/ned-knappene for å velge mellom 'Mono' og 'Auto'. Trykk så på Velg-knappen for å bekrefte valget ditt.

Forhåndsinnstilling av stasjoner-DAB/FM

Du kan lagre dine yndlingsstasjoner som forhåndsinstilte stasjonsminner. Det er 40 minner i radioen din, 20 for DAB og 20 for FM. Forhåndsinnstillingene blir husket av radioen din hvis det skulle skje et strøbrudd.

1. Søk deg frem til den ønskede stasjonen slik som det er beskrevet over.
2. Trykk flere ganger på Menyknappen til 'MEM Store' vises på bunnen av displayet.
3. Trykk på Søk opp/ned-knappene for å velge nummeret du ønsker å gi stasjonen. Hvis nummeret blinker på displayet betyr det at det er ledig. Trykk på Velg-knappen for å lagre den valgte stasjonen. Det vil stå 'Lagret' på displayet når stasjonen er lagret i minnet. Gjenta disse trinnene for resten av stasjonene du ønsker å lagre.

Alternativt kan du enkelt trykke på Velg-knappen (uten å bruke Søk opp/ned-knappene for å velge nummeret til stasjonen) for å lagre den stasjonen du hører på i det øyeblikket. Stasjonen vil bli lagret i en av de tomme plassene (for eksempel hvis 1 til 4 allerede er i bruk, så vil stasjonen automatisk lagres som stasjon nummer 5).

Tips:

Hvis du ønsker å overskrive stasjoner i minnet, kan du bruke trinnene over.

Finne frem til en forhåndsinnstilt stasjon-DAB/FM

1. Trykk på Modusvelger for å velge ønsket modus.
2. Trykk flere ganger på Menyknappen til 'MEM Browse' vises i displayet.
3. Trykk på Søk opp/ned-knappene for å velge den ønskede stasjonen.

Tips:

Displayet vil kun vise nummer der det allerede er lagret en stasjon.

Avspilling av musikk via aux-inngangen

En 3.5mm Aux-inngang finnes på baksiden av enheten slik at et lydsignal kan mates inn i radioen fra enheter som har en utgang for hodetelefoner eller lyd, som for eksempel en iPod, MP3- eller CD-spiller.

1. Trykk på Modusvelger for å velge Aux modus.
2. Koble en lydkilde i stereo eller mono (for eksempel iPod, MP3- eller CD-spiller) til Aux-inngangen markert (AUX IN).
3. Juster volumkontrollen på iPoden, MP3- eller CD-spilleren din for å få et bra signal, og juster volumet på høyttaleren til et behagelig lyttevolum.
4. Når du er ferdig, kobler du fra spilleren for å bruke radioen som normalt.

OBS:

Bruk aldri Aux-inngangen under regnfulle eller fuktige omstendigheter for å forhindre at fukt kommer inn i radioen. Hold alltid gummilokket på baksiden ordentlig lukket i slike situasjoner.

Hodetelefoninngangen

Den 3.5 mm stereo-hodetelefoninngangen på toppen av radioen er der for bruk med stereo-hodetelefoner eller øretelefoner. Når hodetelefoner kobles til, blir den innebygde høyttaleren automatisk dempet.

Viktig:

Overdrevene lydnivåer i øretelefoner og hodetelefoner kan skade hørselen din.

OBS:

Bruk aldri hodetelefoninngangen under regnfulle eller fuktige omstendigheter for å forhindre at fukt kommer inn i radioen. Hold alltid gummilokket på toppen ordentlig lukket i slike situasjoner.

Tastelås

Tastelåsfunksjonen brukes for å forhindre utilsiktet bruk av radioen.

1. Trykk og hold på Velg-knappen til det står 'Taster låst' på displayet. Av-/På-knappen og alle de andre knappene vil bli avslått for å forhindre utilsiktet bruk.
2. For å slå av tastelåsen, trykker du og holder inne Velg-knappen igjen til det står again 'Taster åpnet' på displayet.



Sikkerhetsinformasjon for innebygde oppladbare

litium-ion-batterier

Det innebygde oppladbare litium-ion-batteriet brukes for å tilføre strøm til denne enheten over en lengre periode. Men, selv litium-ion-batterier når et punkt der de ikke kan lades igjen. Hvis batteriet ikke lades etter gjentatte forsøk, kan det være tømt (ha liten ladning), vennligst kontakt info@perfectpro.eu for informasjon om reparasjon.

Hvis du ikke vil at vi skal bytte batteriet for deg, blir du nødt til å kvitte deg med det brukte batteriet/enheten i samsvar med lovene og reglene i området du befinner deg i. I tillegg, kan du kontakte din lokale elektronikkforhandler eller resirkuleringssenter for avhending.

Forholdsregler for brukersikkerhet

- Pass på at romtemperaturen er mellom 0°C – 45°C (32°-113° Fahrenheit) før du lader batteriet.
- Ikke prøv å ta fra hverandre plastikkdekslet eller andre deler av enheten da materialene på innsiden kan være giftige og skade klær og hud.
- Ikke slå hull på, knus, endre, kast eller utsett batteriet for unødvendige støt. Dette er fordi **batteriet i enheten kan ha en risiko for antenning, eksplosjon eller kjemisk forbrenning hvis det behandles feil.**
- Ikke etterlat, lad eller bruk batteriet i en bil som står i direkte sollys, nær ild eller en annen varmekilde.
- Ikke dypp, kast eller plasser batteriet i vann/sjøvann.
- Ikke bruk eller lad batteriet hvis det er varmere enn vanlig, har en underlig farge, er misformet eller andre unormale omstendigheter oppdages under bruk, lading eller lagring.
- Ikke etterlat ladende batterier uten åsyn. Hold batteriet vekk fra spedbarn og barn.

GARANTI

Denne radioen har en garanti på 2 år.

ADVARSEL! Garantien blir ugyldig hvis kabinettet har blitt åpnet, eller andre modifikasjoner eller endringer har blitt gjort på det opprinnelige produktet!

Garantien på radioen dekker ikke følgende:

- Skade som følge av misbruk, forsømmelse, endringer, ulykker eller uautoriserte reparasjoner.
- Normalt slitasje.
- Knekking eller bøying av antennen.

Spesifikasjoner

Strømbehov:

Strømnett

AC 100-240 V, 50/60 Hz

DC 5V, 500 mA

Innebygget batteri: 3.7V/1850 mAh

Høytaler: 4 ohm

Frekvensdekning:

FM: 87.50–108 MHz

DAB+ Band III: 5A–13F

Selskapet vedholder seg retten til å endre spesifikasjonene uten varsel.



Hvis du i fremtiden blir nødt til å kvitte deg med produktet, vennligst vær oppmerksom på at elektrisk avfall ikke må kastes sammen med annet husholdningsavfall. Benytt deg av resirkuleringsanlegg i nærheten. Du kan finne anleggene via lokale myndigheter eller leverandøren. (WEEE – Direktoratet for håndtering av elektrisk avfall)