

» PERFECT PRO

ROCKBOX 2 » PERFECT PRO

INSTRUCTION MANUAL **GB**
MANUEL DE L'UTILISATEUR **F**
GEBRUIKSAANWIJZING **NL**
BEDIENUNGSANLEITUNG **D**



CONTENTS

- IMPORTANT SAFETY INSTRUCTIONS 2
- CONTROLS 3
- POWER SUPPLY 5
 - AC operation 5
 - Battery operation 5
- USING THE RADIO FOR THE FIRST TIME 6
 - Additional metal telescopic antenna 6
- DAB MODE 7
 - Operating the radio – DAB 7
 - Selecting a station – DAB 7
 - Secondary services – DAB 7
 - Display modes – DAB 8
 - Finding new stations – DAB 8
 - Manual tuning – DAB 8
 - Dynamic Range Control (DRC) settings – DAB 9
 - Prune stations – DAB 9
- FM MODE 10
 - Operating the radio – FM seek station 10
 - Manual tuning – FM 10
 - RDS station service – FM 10
 - Scan sensitivity setting – FM 11
- PRESET STATIONS 11
 - Storing preset stations 11
 - Recalling preset stations 11
- BLUETOOTH MODE 12
 - Pairing Bluetooth with your mobile phone 12
 - Playing music from your mobile phone 12
 - Display modes – Bluetooth 12
 - Device List – Connect to the paired device 13
 - Restart Bluetooth pairing 13
- AUX IN MODE 14
- SETTING THE CLOCK 14
- LOUDNESS 15
- LANGUAGE SETTING 15
- SOFTWARE VERSION 15
- SYSTEM RESET 16
- BACKLIGHT 17
- RADIO NAME OPTION 18
- TONE 19
- ATP PASSCODE 19
- WARRANTY 20
- SPECIFICATIONS 21

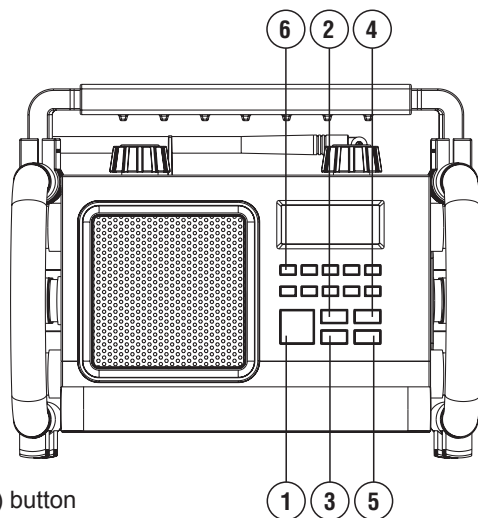
IMPORTANT SAFETY INSTRUCTIONS

1. Read these instructions.
2. Keep these instructions.
3. Heed all warnings.
4. Follow all instructions.
5. Clean only with dry cloth.
6. Do not block any ventilation openings. Install in accordance with the instructions.
7. Do not install near any heat sources such as radiators, heat registers, stoves or other apparatus (including amplifiers) that produce heat.
8. Do not defeat the safety purpose of the polarized or grounding – type plug. A polarized plug has two blades with one wider than the other. A grounding type plug has two blades and a third grounding prong. The wide blade or the third prong is provided for your safety. If the provided plug does not fit into your outlet, consult an electrician for replacement of the obsolete outlet.
9. Protect the power cord from being walked on or pinched particularly at plug, convenience receptacles, and the point where they exit from the apparatus.
10. Only use attachments/accessories specified by the manufacturer.
11. Use only with the cart, stand, tripod, bracket, or table specified by the manufacturer, or sold with the apparatus. When a cart is used, use caution when moving the cart/apparatus combination to avoid injury from tip-over.
12. Unplug this apparatus during lightning storms or when unused for long periods of time.
13. Refer all servicing to qualified service personnel. Servicing is required if the apparatus has been damaged in any, such as power-supply cord or plug is damaged, liquid has been spilled or objects have fallen into the apparatus, the apparatus has been exposed to rain or moisture, does not operate normally, or has been dropped.
14. To reduce the risk of fire or electric shock, do not expose this appliance to rain or moisture.
15. Do not remove the cover; there are no user-serviceable parts inside.
16. No naked flame sources shall be placed on the apparatus.
17. For outdoors use, to avoid electric shock, use battery only during a raining day or the weather is wet. To prevent electric shock, if the radio has been exposed to rain or water, the power supply cord and plug must be completely dried before plugging into the mains socket outlet.
18. The power plug should be close to the apparatus, and easy to be approached that during emergency, to disconnect the power from the apparatus, just unplug the power plug from the AC power slot.
19. The marking information is located at the bottom of the apparatus.
20. This apparatus is provided with protection against splashing water (IP65).
21. In case of malfunction due to electrostatic discharge or fast transient (burst), remove and reconnect the power supply.
22. To prevent possible hearing damage, do not listen at high volume levels for long periods.

GB

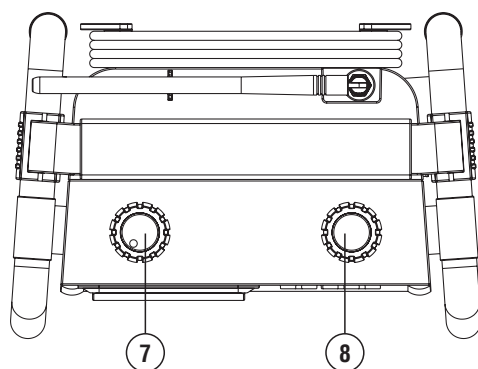


Front View



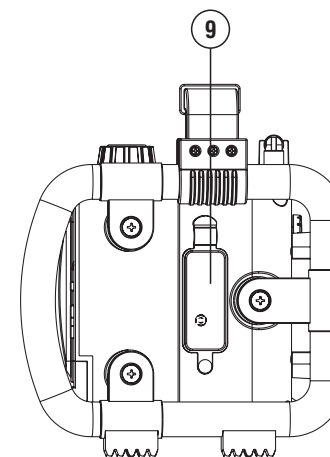
1. On/Off (Standby) button
2. Source button
3. Menu button
4. Loudness button
5. Info button
6. Preset 1 -10 buttons

Top View



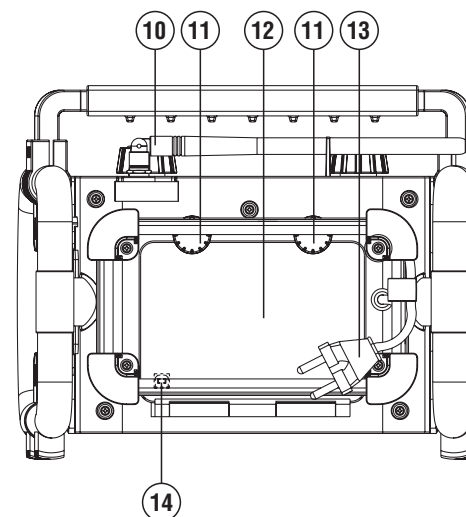
7. Volume / Tone Control knob
8. Tuning / Seek Station / Time Set

Side View



9. Aux-in socket

Back View



10. Rubber antenna
11. Battery cover fixtures
12. Battery compartment
13. Power cord
14. USB socket

POWER SUPPLY

AC operation

Before plugging the AC power cord into the AC socket, be sure the voltage is correct. If you have batteries in the radio and using the AC power supply, the batteries will automatically be disconnect. AC power cord storage is designed to store the cord when the radio is not in use.

Note: In order to disconnect the unit from the mains completely, the AC plug should be removed from the mains socket completely.

Battery operation

1. To open the battery compartment, first turn the battery cover fixtures anti-clockwise to loosen and pull down the battery cover.
2. Insert 6 x C size (UM-2) battery with the correct polarity into the compartment. Close the battery cover and fasten the fixtures by turning clockwise. Close well to prevent moist or dust from entering the compartment.
3. If the unit is not to be used for any extended period of time, it is recommended that the batteries are removed from the radio.

The approximate power level of the batteries is displayed in the LCD display of the radio. When the power level is very low the indication "Battery Low!" appears and the battery symbol flashes on the display. The batteries should then be replaced soon to continue normal operation of the radio.

Notes:

Danger of explosion if battery is incorrectly replaced. Replace only with the same or equivalent type.

Do not expose the batteries to excessive heat such as sunshine, fire or the like.

Batteries should not be disposed of by incineration and with household waste.

Disposable batteries should be taken to a suitable recycling centre if possible.

USING THE RADIO FOR THE FIRST TIME

1. Place the radio on a flat surface.
2. Carefully extend the antenna located on the top of the radio. Adjust the antenna so it is vertically extending above the radio.
3. Plugging the AC power cord into the AC socket. The radio will start up and the display will show "WELCOME TO DIGITAL RADIO" for a few seconds. Then the radio will automatically perform an auto scan of the Band III DAB channels and the FM band, the display will show "ATS setting".
4. When the scan is completed, the 10 strongest FM stations will be stored as presets. The radio will switch to standby with the updated clock and date showing on the display.
5. If no signals are found, the clock will not be updated. It may be necessary to relocate the radio to a position giving better reception.

Additional metal telescopic antenna

You can use this as an alternative antenna for your radio in areas or locations where the radio-signal (FM/DAB/DAB+) is weak to very weak.

ATTENTION; the standard antenna on the radio is flexible, this antenna is not flexible.

Installing: Carefully screw off the standard flexible antenna. First carefully loosen the antenna with an open-end-wrench (size 14) – turn counter clockwise. Carefully screw on the metal telescopic antenna and **softly tighten** it with an open-end-wrench key (size 14) – turn clockwise

ATTENTION: do not use too much force when fixing the antennas as this can damage the screw thread of the antennas or make it break off.

DAB MODE

Operating the radio – DAB

1. Carefully extend the antenna. Press the **On/Off button** to switch on the radio.
2. If this is the first time to switch on, the radio will be in DAB mode.
3. The first station (in numeric-alpha order 0...9...A...Z) in the list of stations found will be played. The display will show the station name.
If the radio has been used before, the last used station will be selected.
4. If no signals are detected, “No stations available” will be displayed. It may be necessary to relocate the radio to a position giving better reception.
You should then carry out an auto scan to find stations, please refer to the section “Find new stations - DAB”.

Selecting a station – DAB

1. Press the **On/Off button** to switch on the radio. The display will show “Now tuning” for a few seconds.
2. The display shows the name of the radio station currently selected.
3. Rotate the **Tuning knob** to scroll through the list of available stations.
4. When the desired station name appears on the display, press the **Tuning knob** to select the station. The display will show “Now tuning” while the radio finds the new station.

Note: If after selecting a station the display shows “No stations available”, it may be necessary to relocate the radio to a position giving better reception.

Secondary services – DAB

1. Certain radio stations have one or more secondary services associated with them. If a station has a secondary service associated with it, then the secondary service will appear immediately after the primary service as you turn the **Tuning knob**.
2. Press the **Tuning knob** to select the secondary service.
Most of secondary services do not broadcast continually and if the selected service is not available, the radio will re-tune to the associated primary service.

Display modes – DAB

In DAB mode, the radio can display a range of information on the display.

1. Press the **Info button** to cycle through the various modes.
 - a. Scrolling text Displays scrolling text message such as artist/track name, phone in number, etc.
 - b. Signal strength Displays the signal strength of radio reception. The clear unfilled rectangle indicates minimum signal level required for satisfactory reception.
 - c. Program type Displays type of station being listened to e.g. Pop, classic, News, etc.
 - d. Multiplex name Displays name of multiplex to which the current station belongs.
 - e. Channel & frequency Displays channel number and frequency for the currently tuned DAB station.
 - f. Bit rate & audio type Displays the digital audio bit rate.
 - g. Time & date Displays the current time (24 hour clock) and date.

Finding new stations – DAB

From time to time, new stations may become available. You may proceed to find new stations as follows:-

1. Press the **Menu button**, “Full scan” shows on the display.
2. Press the **Tuning knob**, the radio will perform a scan of the Band III DAB channels. As new stations are found, the station counter on the right-hand side of the display will increase and stations will be added to the list.

Manual tuning – DAB

Manual tuning allows you to tune the radio directly to various DAB Band III channels.

1. Press the **Menu button**, the display shows “Full scan”.
2. Rotate the **Tuning knob** until the display shows “Manual tune”. Press the **Tuning knob**.
3. Rotate the **Tuning knob** to select the desired DAB channel. Press the **Tuning knob** to tune the chosen frequency.
4. The signal strength display with an open bar shows the minimum signal strength needed for good DAB reception. The signal strength bars will go up or down showing the changing signal strength as you adjust the antenna or the radio position.
5. When a DAB signal is found, the display will show the name of the station. Any new radio stations found will be added to the list stored in the radio.
6. Press the **Tuning knob** to return to normal DAB service.

Dynamic Range Control (DRC) settings – DAB

DRC can make quieter sounds easier to hear when the radio is used in a noisy environment.

1. In DAB mode, press the **Menu button**, the display shows “Full scan”.
2. Rotate the **Tuning knob** until the display shows “DRC value”. Press the **Tuning knob**.
3. Rotate the **Tuning knob** to select required DRC setting (default is Off).

DRC Off	DRC is switched off. Broadcast DRC will be ignored.
DRC Low	DRC level is set to low that sent by broadcaster.
DRC High	DRC is set as sent by broadcaster.

4. Press the **Tuning knob** to confirm the setting. The display will return to normal radio display.

Note: Not all DAB broadcasts use the DRC function. If the broadcast does not provide DRC information, the DRC setting in the radio will have no effect.

Prune stations – DAB

If you move to a different part of the country, some of the stations which were listed may no longer be available. Also, from time to time, some DAB services may stop broadcasting, or may change location or frequency. The Prune stations function will delete the unavailable DAB stations from your station list.

1. In DAB mode, press the **Menu button**, the display shows “Full scan”.
2. Rotate the **Tuning knob** until the display shows “Prune”.
3. Press the **Tuning knob** to enter the setting.
4. Rotate the **Tuning knob** to select between “Yes” or “No” (default is No). Select “Yes” to enable this function if required, otherwise, select “No”.
5. Press the **Tuning knob** to confirm your setting. The display will return to normal radio display.

Note: If you have move the radio to a different part of the country, you should also carry out a search for new stations (please see the section “Finding new stations – DAB”).

FM MODE

Operating the radio – FM seek station

1. Press the **On/Off button** to turn on the radio.
2. Select the FM waveband by pressing the **Source button**.
3. If this is the first time to switch to FM mode, the station in preset 1 will be played. If the radio has been used before, the last listened station will be played.
4. To seek station, press the **Tuning knob**. The scan stops automatically when it finds a station of sufficient strength.
5. After a few seconds, the display will update and show station name if RDS information is being received.
6. To find other stations, press the **Tuning knob** again.
7. To seek station in an opposite direction, rotate the **Tuning knob** clockwise (to scan from low frequency to high frequency) or rotate anti-clockwise (to scan from high frequency to low frequency), and press the **Tuning knob**.
8. When the waveband end is reached, the radio will recommence tuning from the opposite waveband end.

Manual tuning – FM

1. Press the **On/Off button** to turn on the radio.
2. Select the FM band by pressing the **Source button**.
3. Rotate the **Tuning knob** to reach the required FM station. The radio will change the frequency in steps of 50 kHz.
4. Rotate the rubber antenna to get the best reception. If the radio is tuned to a station of sufficient signal strength with RDS information present, the display may change to show the station name.
5. When the waveband end is reached, the radio will recommence tuning from the opposite waveband end.

RDS station service – FM

RDS (Radio Data System) is an information system which inaudible digital information is transmitted in addition to the normal FM radio programme. When the radio is receiving a RDS station and the reception strength is sufficient, the station name will appear in the display. It may take some time before the RDS information is available.

Calling up RDS information

1. When you are listening to a FM station with RDS system, repeatedly press the **Info button** to cycle through the information. This will only function if the reception level is sufficient and clear.
 - a. Radio text (RT) Displays the message about the station being listened to as ticker text.
 - b. Program type (PTY) Displays the type of station being listened to, e.g. Pop, Classic, News, etc.
 - c. Frequency Displays the frequency of the station being listened to.
 - d. Time & date Displays the current time (24 hour clock) and date.
 - e. Signal level Displays the signal strength.

Scan sensitivity setting – FM

The radio will normally scan all stations from FM broadcasts including the weaker signals. However, you may wish the Auto-scan to find only those stations with strong enough signals to give good reception.

1. Press the **On/Off button** to turn on the radio.
2. Select the FM band by pressing the **Source button**.
3. Press the **Menu button**, the display shows “Scan setting”.
4. Press the **Tuning knob**.
5. Rotate the **Tuning knob** to select between “All stations” or “Strong station” (default is All stations).
The “Strong station” option will allow the radio to find strong signals only when scanning.
6. Press the **Tuning knob** to confirm your setting. The display will return to normal radio display.

PRESET STATIONS

Storing preset stations

There are 20 memory presets in the radio, 10 for DAB and 10 for FM. Presets are remembered by the radio in the event of a power failure.

1. Press the **On/Off button** to turn on the radio.
2. Press the **Source button** to select the desired waveband.
3. Tune to the required station.
4. Press and hold the required **Preset button** until the radio beeps and shows for example “Preset 01 Saved”.
5. Repeat step 3 and 4 for the remaining presets.
6. Stations stored in the preset memories can be over-written by following the above procedure.

Recalling preset stations

1. Press the **On/Off button** to turn on the radio.
2. Press the **Source button** to select the desired waveband.
3. Briefly Press the required **Preset button**, the display will show for example “Preset 01 Loaded” for a few seconds and the radio frequency.

BLUETOOTH MODE

Pairing Bluetooth with your mobile phone

1. Press the **On/Off button** to turn on the radio.
2. Select Bluetooth mode by pressing the **Source button**.
3. The LCD display will show “Not connected” when radio is not yet paired with your mobile phone.
4. In your mobile phone open the Setting menu and select Bluetooth, then select “**PP RockBox 2**” in the Bluetooth devices list of your mobile phone (Bluetooth pairing instructions may vary per type of mobile phone, please check your mobile phone manual).
5. When Bluetooth pairing is successful, the LCD display will show “BT Connected” in the 1st line, and your mobile’s name in the 2nd line for about 2 seconds.
6. Finally the LCD display will show the connected mobile phone’s name in the 1st line to indicate the connected device to the radio.

Playing music from your mobile phone

1. Press the **On/Off button** to turn on the radio.
2. Select Bluetooth mode by pressing the **Source button**.
3. Start playing music by using the media players in the paired mobile phone.
4. Playback can be controlled from the mobile phone or by pressing the **▶||**, **▶▶|** and **||◀◀** buttons (preset buttons 3, 4 and 5) on the radio.
5. After music playback starts, the name of the song will be displayed in the LCD.

Display modes – Bluetooth

In Bluetooth mode, the radio can display a range of information of the current playing music on the display. Press the **Info button** to cycle through the various types.

- | | |
|----------------|---|
| a. Title | Displays scrolling song’s name of the current playback music. |
| b. Artist | Displays the artist’s name of the current playback music. |
| c. Album | Displays the album name of current playback music. |
| d. Status | Displays the playback status. E.g. playing, stopped. |
| e. Music info | Displays the music format and sampling rate of current playing song. E.g. “AAC” is the format of the song; “44100Hz” is the sampling frequency of the song. |
| f. Time & date | Displays the current time and date. |

Device List – Connect to the paired device

In the radio, you can select the Bluetooth device from the Device list to connect again. The device names would be shown if the name of the Bluetooth devices were configured in the mobile devices. Please refer to the user manual of your mobile device for the configurations.

The Device list can be checked as below:

1. In Bluetooth mode, press the **Menu button** to enter the system setting.
2. Rotate the **Tuning knob** until “Device list” is displayed; press the TUNING knob to select the setting.
3. Rotate the **Tuning knob** to view the name of the devices.
4. Press the **Tuning knob** to start Bluetooth reconnection. The speaker will automatically connect to this selected mobile device.

Note: There can be up to 8 device names stored in the Device list memory. If you store more than 8 mobile devices into the Device list memory, the earliest paired device name will be erased.

Note: If you have ever deleted the “**PP RockBox 2**” from your connected mobile phone device, the auto reconnection will be unsuccessful.

Restart Bluetooth pairing

The Bluetooth function can be set to operate in different ways as below:

1. In Bluetooth mode, press the **Menu button** to enter the system setting.
2. Rotate the **Tuning knob** to select the “Disconnect BT” option, and press the **Tuning knob** to select the setting.
3. The LCD display will show “Please wait” for a few seconds in order to disconnect the current connection with the mobile phone device.
4. The LCD display will show “Not connected” and the radio’s Bluetooth is free for any mobile phone device connection as it is in discoverable mode now.

Note: “Disconnect BT” is the option that forces the Bluetooth of this radio to disconnect from your mobile phone and enter the “discoverable mode”. This is the way to allow the Bluetooth pairing to another device. If no new device is paired, the Bluetooth will automatically try to connect to the last device when it is switched off and on again.

The Auto-Power management function will be activated in Bluetooth mode. If there is no signal* for a period of over 15 minutes, the radio will automatically switch to standby mode. Pressing the **On/Off button** will wake up the unit.

* Also when the incoming signal from the external device is too low and cannot be detected for a period of over 15 minutes by the Auto-Power management, the radio will switch to standby mode.

To prevent this raise the output level on the external device enough to be detected.

AUX IN MODE

A 3.5mm stereo **Aux In socket** is provided on the side behind the rubber cover, for connecting an external audio device such as MP3 player or CD player (not included with this radio).

1. Connect an audio source to the **Aux In socket**.
2. Press the **Source button** to select AUX input. Display will show “AUX IN”.
3. Play the external player.
4. Adjust the volume of both the radio and the player for comfortable listening.
5. After use, close the rubber cover to prevent moist or dust from entering into the sockets and radio.

Notes: Never use the AUX-IN socket in rainy or moist conditions to prevent moist from entering the radio. Keep the rubber cover closed under these conditions.

The Auto-Power management function will be activated in AUX mode. If there is no signal from the AUX input jack for a period over 15 minutes, the unit will automatically switch to standby mode. The operation indicator and the LCD will go off in such case. Pressing the On/Standby button will wake up the unit.



GB

SETTING THE CLOCK

The clock can only be set when the radio is in standby mode. If no buttons are pressed for 5 seconds, the radio will exit the clock setup and the setting is cancelled.

1. Press and hold the **Time Set knob** for 12 seconds until the hour digits flash on the display.
2. Rotate the **Time Set knob** to set the hour.
3. Press the **Time Set knob** to confirm, the minute digits flash.
4. Rotate the **Time Set knob** to set the minute.
5. Press the **Time Set knob** to confirm, the day flashes on the display.
6. Rotate the **Time Set knob** to set the current day.
7. Press the **Time Set knob** to confirm, the month flashes.
8. Rotate the **Time Set knob** to set the current month.
9. Press the **Time Set knob** to confirm, the year will then flash on the display.
10. Rotate the **Time Set knob** to set the current year.
11. Press the **Time Set knob** to confirm, “SYNLOCK ON” flashes.
12. Rotary the **Time Set knob** to select “SYNLOCK ON” or “SYNLOCK OFF”.
13. Press the **Time Set knob** to confirm and finish the clock setting.

RDS time synchronisation

If “SYNLOCK ON” is selected, the symbol “” will show on the clock display. Some RDS stations transmit a time signal. If reception is good and you have selected the “SYNLOCK ON” option during the time setting, the time will be automatically updated (“” flashes on the display). Time synchronisation can take several minutes. The automatic time setting is always activated when the radio is switched from standby to FM broadcasting and receives a RDS station.

LOUDNESS

The Loudness function enables to get compensation on lower and higher frequency. The effect will be more audible when the radio is in a lower volume level (Dynamic Loudness).

1. Press the **Loudness button** to enable the loudness, the display shows “Loudness On”.
2. Press the **Loudness button** again to disable the loudness, the display shows “Loudness Off”.

LANGUAGE SETTING

The radio can be configured to a different language.

1. Press the **On/Off button** to turn on the radio.
2. Press the **Menu button**, and then rotate the **Tuning knob** until the display shows “System”.
3. Press the **Tuning knob**; rotate the **Tuning knob** until the display shows “Language”.
4. Press the **Tuning knob** to enter the language adjustment menu.
5. Rotate the **Tuning knob** until the desired language appears on the display (default is English).
6. Press the **Tuning knob** to confirm your choice. The display will change to the chosen language.

SOFTWARE VERSION

The software display cannot be altered and is just for your reference. You can only view the software version in DAB and FM mode.

1. Press the **On/Off button** to switch on the radio.
2. Press the **Source button** to select FM or DAB mode.
3. Press the **Menu button** until the display shows “Full Scan”, and then rotate the **Tuning knob** until the display shows “System”.
4. Press the **Tuning knob**; rotate the **Tuning knob** until the display shows “SW version”.
5. Press the **Tuning knob** to view the software version.
6. Press the **Tuning knob** again to return to the normal radio display.

Notes: USB socket inside battery compartment is for upgrading the software of the device.

SYSTEM RESET

If the radio fails to operate correctly, or some digits on the display are missing or incomplete, carry out the following procedure.

1. Press the **On/Off button** to switch on the radio.
2. Press the **Menu button**,
3. Rotate the **Tuning knob** until the display shows “System”. Press the **Tuning knob**.
4. Rotate the **Tuning knob** until the display shows “Factory reset”. Press the **Tuning knob**.
5. Rotate the **Tuning knob** to select between “Yes” or “No”.
Select “Yes” if you wish to reset the radio, otherwise, select “No”.
6. Press the **Tuning knob** to cause the factory reset.
7. A full reset will be performed. All presets and the station list will be erased. All settings will be set to the default values.
The display will show “WELCOME TO DIGITAL RADIO” for a few seconds, and then the radio will automatically perform an auto scan of the Band III DAB channels and the FM band, the display will show “ATS setting”.

In case of malfunction due to electrostatic discharge; reset the product as above to resume normal operation. If you are not able to perform the reset operation as above, remove and reconnect the power supply.

GB

BACKLIGHT

LCD backlight configuration

1. Press the **On/Off button** to turn on the radio.
2. Press the **Menu button**, and then rotate the **Tuning knob** until the display shows “System”.
3. Press the **Tuning knob**; rotate the **Tuning knob** until the display shows “LCD backlight”.
4. Press the **Tuning knob** to enter the LCD backlight adjustment menu.
5. Rotate the **Tuning knob** to select “on” in order to keep backlight always lightened when the radio is turned on with AC power supply;
6. Or rotate the **Tuning knob** to select “off” (by default) so that the backlight will be lightened for about 10 seconds whenever a button is pressed with AC power supply.
7. Press the **Tuning knob** to confirm your choice.

Note: The LCD backlight option “on” is only functional when the radio is powered by AC power supply. When the radio is powered by battery power supply, the LCD backlight is switched to option “off” – 10 seconds lightened when a button is pressed. When the radio is connected to mains AC power again, the last user setting will be applied again.

RADIO NAME OPTION

This radio supports customization of the radio’s name. If the radio has been named, the name of the radio will be shown when the radio is turned on and when the radio is turned off.

1. Press the **On/Off button** to turn on the radio.
2. Press the **Menu button**, and then rotate the **Tuning knob** until the display shows “System”.
3. Press the **Tuning knob**; rotate the **Tuning knob** until the display shows “Name”. Press the **Tuning knob**.
4. Rotate the **Tuning knob** to select the letters. The maximum length of new name is 16 letters long.
5. Press the **Tuning knob** to confirm the current selection. By pressing this **Tuning knob**, the cursor will be moved to next position for selection.
6. Press the **P3 or P4** button to move the cursor to left or right.
7. Repeat step 4 to step 6 to edit the new radio name.
8. To complete editing the new radio name, you can either edit all the 16 letters or press the **Menu button**.
9. When finishing editing the radio name, the LCD will display “Confirm changes” in the first line, and display “OK” to save the changes or “Cancel” to discard the changes.
10. To confirm the changes, rotate the **Tuning knob** until “OK”, and then press the **Tuning knob** to exit. After this action, the radio will save the new name.
11. To cancel the changes, rotate the **Tuning knob** until “Cancel”, and then press the **Tuning knob** to exit. After this action, the radio will discard the changes and keep the current radio name as for display.
12. When next time the radio is turned on, the LCD will show “Welcome” in the first line and the new name in the second line.
13. When the radio is turned off, the LCD will show “Goodbye” in the first line and the new name in the second line.

Notes:

- In the name menu, when there is no operation of the panel buttons for more than 20 seconds during editing, the radio will automatically exit the name function without saving any of the changes.
- The default radio name is empty. The new edited name will be lost and go back to default (no name) after executing a factory reset in the menu.
- The radio supports maximum 16 letters as the name of the radio.

TONE

The **Tone** function enables the user to adjust the lower and higher sound frequencies.

1. Press the **On/Off button** to turn on the radio.
2. Press and hold the **Volume knob** for about 3 seconds, the display shows "BASS 0".
3. Rotate the **Volume knob** to set the desire Bass level.
4. Press the **Volume knob** to confirm, the display shows "TREBLE 0".
5. Rotate the **Volume knob** to set the desire Treble level.
6. Press the **Volume knob** to confirm and return to normal display.

ATP PASSCODE

This radio is equipped with an Anti-Theft-Protection system (ATP system). When the ATP system is enabled, a passcode is required for turning on the radio.

1. Press the **On/Off button** to turn on the radio.
2. Press the **Menu button**.
3. The display shows "System".
4. Rotate the **Tuning knob** until the display shows "Passcode". Press the **Tuning knob**. "Enable" or "Disable" will be displayed, to enable ATP, turn and press **Tuning knob** to select "Enable".
5. "Change Passcode" will be displayed, enter a 4-digits numeric passcode by pressing the preset buttons (1-10)
6. "Confirm Passcode" will be displayed. Enter a second time the same passcode to re-confirm.
7. To disable passcode, select "Disable" as previously showed. And re-enter the previous passcode to disable the lock.

When ATP is enabled, and if wrong passcode is entered for three times, a timer will be activated. The next attempt will be possible only after the timer has elapsed. The timer period will be increased with further wrong passcodes.

WARNING: If you choose to activate the passcode, please note your passcode somewhere safe as a memory back-up in case you should forget it. This as there is no way to reset the radio should the passcode be forgotten!

WARRANTY

This radio has a 2 year limited warranty.

WARNING ! Warranty becomes void once the radio cabinet has been opened or any modifications or alterations to the radio have been made !

The terms of the warranty of this radio do not cover the following:

- Damage caused by misuse, abuse, neglect, alterations, accidents or unauthorised repair.
- Normal wear and tear.
- Breaking or bending of the metal telescopic antenna.

SPECIFICATIONS

Power requirements

Mains	AC230V 50Hz~
Batteries	6 x C size (UM-2)

Frequency coverage

DAB+ / DAB	174.928 – 239.200 MHz
FM	87.5 – 108 MHz

Bluetooth

Version 3.0 Supports Bluetooth profiles A2DP, AVRCP and HFP

Circuit features

Loudspeaker	1 x Ø4 inch
Output power	1 x 7.5W
Aux In socket	Ø3.5 mm

Environmental note:



This product has been made from high-quality parts and materials which can be reused and recycled. Therefore, do not throw the product away with normal household waste at the end of its life. Take it to a collection point for recycling electrical and electronic device. This is indicated by this symbol on the product, in the operating manual and on the packaging.



Please find out about collection points operated by your local authority. Help protect the environment by recycling used products.



TABLE DES MATIERES

INSTRUCTIONS DE SECURITE IMPORTANTES ERREUR ! SIGNET NON DEFINI	2
COMMANDES	3
ALIMENTATION ELECTRIQUE	5
Utilisation sur secteur	5
Utilisation sur piles	5
PREMIERE UTILISATION DE LA RADIO	6
Antenne télescopique supplémentaire en métal	6
MODE DAB	6
Fonctionnement de la radio – DAB	6
Sélection d'une station – DAB	7
Modes d'affichage – DAB	7
Recherche automatique de nouvelles stations – DAB	7
Recherche manuelle de stations – DAB	8
Réglages Dynamic Range Control (DRC) – DAB	8
Suppression de stations – DAB	8
MODE FM FONCTIONNEMENT DE LA RADIO	9
Recherche automatique de stations – FM	9
Recherche manuelle de stations – FM	9
Service de données RDS – FM	9
Réglage de la sensibilité de balayage – FM	10
PRESELECTION DE STATIONS	11
Mémoire de stations présélectionnées	11
Rappel de stations présélectionnées	11
MODE BLUETOOTH	11
Appareiller votre téléphone portable en Bluetooth	11
Écouter la musique de votre téléphone	11
Modes d'affichage - Bluetooth	12
Liste des appareils - Se connecter à l'appareil couplé	12
Recommencer l'appareillage Bluetooth	12
MODE AUX-IN	13
REGLAGE DE L'HEURE ET DE LA DATE	14
SONORITE	15
SELECTION DE LA LANGUE	15
VERSION DU LOGICIEL	16
REINITIALISATION DU SYSTEME	16
REGLAGE DE LA TONALITE	17
SYSTEME DE PROTECTION CONTRE LE VOL	17
RETROELAIRAGE LCD	18
OPTION MESSAGE D'ACCUEIL	19
GARANTIE	20
CARACTERISTIQUES TECHNIQUES	20

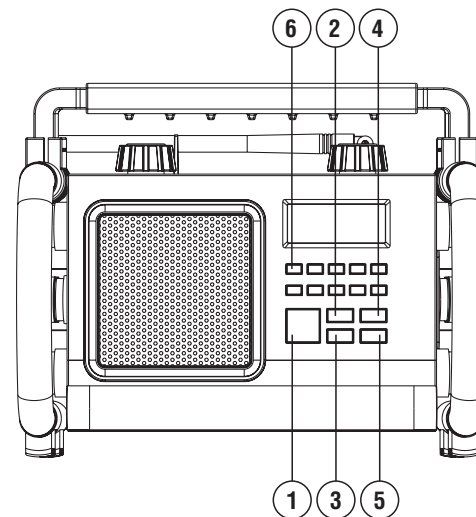
CONSIGNES DE SECURITE IMPORTANTES

1. Lisez ces consignes.
2. Conservez ces consignes.
3. Respectez ces avertissements.
4. Suivez ces consignes.
5. Nettoyez seulement avec un chiffon sec.
6. Ne bloquez aucune ouverture de ventilation. Installez selon les consignes.
7. N'installez pas à proximité de sources de chaleur telles que les radiateurs, grilles de chauffage, fourneaux ou autres appareils (y compris les amplificateurs) qui produisent de la chaleur.
8. Ne supprimez pas la fonction de sécurité de la fiche polarisée ou à terre – type de prise. Une fiche polarisée possède deux broches dont une est plus large que l'autre. Une prise à terre possède deux broches et une troisième broche à terre. La broche large ou la troisième broche reliée à la terre sont fournies pour des raisons de sécurité. Si la fiche fournie ne rentre pas dans votre prise, consultez un électricien pour qu'il vous change l'ancienne prise.
9. Protégez le cordon d'alimentation afin qu'il ne soit pas piétiné ou serré, particulièrement au niveau de la fiche, de la prise électrique et à l'endroit où il sort de l'appareil.
10. Utilisez seulement des cordons/accessoires précisés par le fabricant.
11. Utilisez seulement avec le chariot, le support, le trépied, la console ou la table précisés par le fabricant ou vendus avec l'appareil. En utilisant un chariot, faites attention en déplaçant la combinaison chariot/appareil pour éviter de vous blesser en cas de chute.
12. Débranchez cet appareil pendant les orages ou lorsque vous ne l'utilisez pas pendant de longues périodes.
13. Confiez toutes les réparations à du personnel de réparation qualifié. La réparation est requise si cet appareil a été endommagé de quelque manière que ce soit, par exemple si le cordon d'alimentation ou la fiche ont été endommagés, si du liquide a été renversé ou si des objets sont tombés sur l'appareil, si l'appareil a été exposé à la pluie ou à de l'humidité, s'il ne fonctionne pas correctement ou s'il est tombé.
14. Pour réduire les risques de feu ou de choc électrique, n'exposez pas cet appareil à la pluie ou à de l'humidité.
15. N'enlevez pas le dessus de l'appareil, il n'y a pas de pièces de réparation à l'intérieur.
16. Ne placer aucune source de flamme nue sur l'appareil.
17. Lors d'une utilisation en extérieur, pour éviter les chocs électriques, utilisez seulement des piles en cas de pluie ou de temps humide. Afin d'éviter tout risque d'électrocution lorsque la radio a été exposée à la pluie ou à l'eau, le cordon d'alimentation et la fiche doivent être séchés complètement avant d'insérer la fiche dans la prise de courant.
18. La prise de courant doit être à proximité de l'appareil et facile d'accès pour qu'en cas d'urgence, pour couper le courant de l'appareil, vous puissiez simplement débrancher la prise de courant.
19. La plaque signalétique se trouve sur la face inférieure de l'appareil.
20. Cet appareil est protégé contre les projections et éclaboussures d'eau (IP65).
21. En cas de perturbations provoquées par une décharge électrostatique ou une pointe de tension, la fiche du cordon d'alimentation de la radio doit être retirée un bref instant de la prise de courant et réinsérée ensuite dans celle-ci.
22. Pour éviter d'endommager l'audition, ne pas écouter à volume élevé pendant de longues périodes.



Risque d'électrocution
Ne pas ouvrir

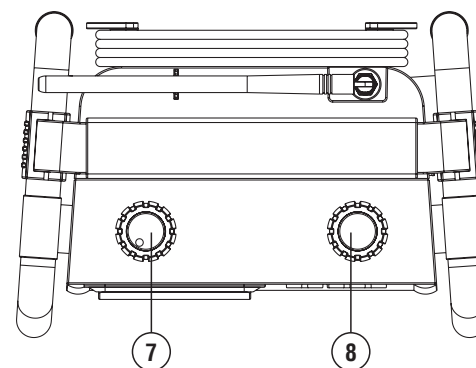
Face avant



1. Touche ON-OFF (Veille)
2. Touche de sélection de la source Audio (Source)
3. Touche de menu
4. Touche de sonorité
5. Touche d'informations
6. Touches de présélection de stations 1-10

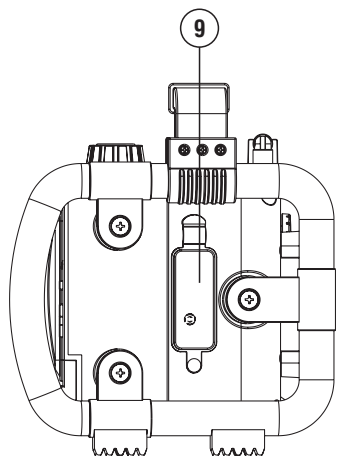
F

Face supérieure



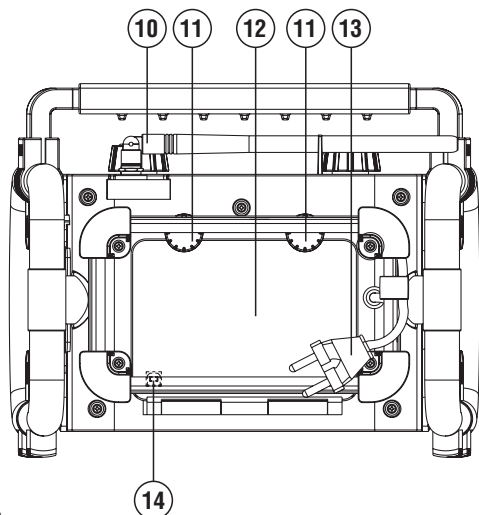
7. Bouton de réglage du volume / Réglage de la tonalité
8. Bouton de fréquence / recherche de stations / réglage de l'heure et de la date (uniquement en mode de veille)

Côté



9. Prise Aux-In

Face arrière



10. Antenne souple
11. Fixations du couvercle du logement des piles
12. Logement des piles
13. Cordon d'alimentation
14. Prise USB (uniquement pour une mise à jour éventuelle du logiciel)

ALIMENTATION ELECTRIQUE

Utilisation sur secteur

Avant d'insérer la fiche du cordon d'alimentation de la radio dans une prise de courant, assurez-vous que la tension soit correcte. Lorsque vous utilisez la radio sur secteur, alors que des piles sont toujours installées dans la radio, celles-ci sont automatiquement déconnectées de façon à éviter qu'elles se déchargent.

Le cordon d'alimentation peut être rangé à l'arrière de la radio lorsque celle-ci n'est pas utilisée.

Remarque : Afin de déconnecter complètement la radio du secteur, la fiche du cordon d'alimentation doit être retirée de la prise de courant.

En cas de perturbations provoquées par une décharge électrostatique, la fiche du cordon d'alimentation doit être retirée de la prise de courant et réinsérée dans celle-ci.

Utilisation sur piles

1. Pour ouvrir le logement des piles, tournez d'abord les deux fixations du couvercle du logement dans le sens inverse des aiguilles d'une montre et tirez ensuite le couvercle vers le bas.
2. Installez 6 piles de type C (UM-2) dans le logement, en respectant la polarité (+ et -). Refermez ensuite le couvercle du logement et tournez les deux fixations dans le sens des aiguilles d'une montre. Refermez correctement le couvercle afin d'éviter que de l'humidité ou de la poussière pénètre dans le logement des piles.
3. Lorsque la radio n'est pas utilisée pendant un certain temps, il est recommandé de retirer les piles de celle-ci.

La capacité approximative des piles est affichée à l'écran LCD de la radio au moyen d'une icône. Lorsque la capacité est très faible, le message "Battery Low!" apparaît à l'écran et le symbole correspondant clignote. Les piles doivent dans ce cas être remplacées sans tarder, de façon à garantir le fonctionnement normal de la radio.

Avertissement :

Il existe un risque d'explosion lorsque les piles ne sont pas remplacées correctement. Remplacez celles-ci exclusivement par des piles de type identique ou équivalent. Evitez d'exposer les piles à des chaleurs excessives (soleil, feu ou source de chaleur similaire). Les piles ne peuvent jamais être détruites par incinération ni éliminées avec les ordures ménagères. Les piles jetables doivent être confiées si possible à un centre de recyclage agréé.

PREMIERE UTILISATION DE LA RADIO

1. Placez la radio sur une surface stable et plane.
2. Relevez l'antenne située sur la face supérieure de la radio.
3. Lorsque la radio est raccordée pour la première fois à une source de courant, elle s'allume automatiquement et le message "WELCOME TO DIGITAL RADIO" (BIENVENUE A LA RADIO NUMERIQUE) apparaît à l'écran. La radio effectue ensuite automatiquement un balayage de la plage de fréquences DAB et FM. Le message "ATS setting" (Réglage ATS) est affiché à l'écran.
4. Les 10 stations dont le signal est le plus fort sont alors mises dans la mémoire de stations présélectionnées. Après ce premier balayage, la radio s'éteint automatiquement et l'écran affiche l'heure et la date mises à jour.
5. Lorsqu'aucun signal radio n'a été trouvé, l'heure et la date ne sont pas mises à jour. Placez dans ce cas la radio dans un autre endroit offrant une meilleure réception.

Antenne télescopique supplémentaire en métal

Vous pouvez utiliser cette antenne télescopique en métal sur votre radio en remplacement de l'antenne flexible montée d'origine, lorsque vous vous trouvez dans des régions ou des endroits où le signal radio (FM/DAB/DAB+) est faible à très faible.

Remarque : contrairement à l'antenne flexible montée d'origine sur la radio, cette antenne télescopique en métal n'est pas flexible.

Installation de l'antenne : Dévissez prudemment l'antenne flexible d'origine. **Desserrez d'abord celle-ci avec précaution** à l'aide d'une clé plate à fourche de 14 mm en tournant celle-ci dans le sens inverse des aiguilles d'une montre. Vissez ensuite prudemment l'antenne télescopique en métal et **serrez celle-ci sans forcer** à l'aide d'une clé plate à fourche de 14 mm en tournant dans le sens des aiguilles d'une montre.

ATTENTION : Evitez de forcer sur la clé plate à fourche de 14 mm de façon à ne pas endommager l'extrémité fileté de l'antenne.

MODE DAB / FONCTIONNEMENT DE LA RADIO

1. Relevez l'antenne et appuyez sur la **touche ON/OFF** pour allumer la radio.
2. La première station (dans l'ordre alphanumérique 0...9, A...Z) de la liste de stations sera alors audible et le nom de la station sera affiché à l'écran. Si la radio a déjà été utilisée, la dernière station sélectionnée sera dans ce cas audible.
3. Lorsqu'aucun signal radio n'a été trouvé, le message "No stations available" (Aucune station disponible) est affiché à l'écran. Il peut être nécessaire dans ce cas de placer la radio dans un autre endroit offrant une meilleure réception. Vous pouvez ensuite effectuer un Auto Scan pour rechercher des stations. Voir le point "Recherche de nouvelles stations – DAB".

Sélection d'une station – DAB

1. Appuyez sur la **touche ON/OFF** pour allumer la radio. Le message "Now tuning" (Syntonisation en cours) apparaît pendant quelques secondes à l'écran.
2. Le nom de la station trouvée est ensuite affiché à l'écran.
3. Tournez le **bouton de Fréquence** pour parcourir la liste des stations disponibles.
4. Lorsque le nom de la station souhaitée apparaît à l'écran, appuyez sur le **bouton de Fréquence** pour sélectionner la station en question. Le message "Now tuning" (Syntonisation en cours) apparaît à l'écran pendant tout le temps que la radio recherche la station.

Remarque : Si le message "No stations available" (Aucune station disponible) apparaît à l'écran après avoir sélectionné une station, il peut être nécessaire dans ce cas de placer la radio dans un autre endroit offrant une meilleure réception.

Modes d'affichage – DAB

En mode DAB, la radio est capable d'afficher diverses informations.

1. Appuyez sur la **touche Info** pour parcourir les différentes informations disponibles.
 - a. Texte défilant Affiche des messages de la station que vous écoutez, sous la forme d'un texte défilant.
 - b. Force du signal Affiche la force du signal de réception de la station que vous écoutez. Le bloc ouvert indique le niveau minimum du signal nécessaire pour obtenir une bonne réception.
 - c. Type de programme Affiche le type de programme que vous écoutez, par exemple Pop, Classique, Actualités, etc.
 - d. Nom du multiplex Affiche le nom du multiplex auquel la station appartient.
 - e. Canal et fréquence Affiche le numéro et la fréquence de la station que vous écoutez.
 - f. Débit binaire et type audio Affiche le débit binaire de l'émission.
 - g. Date et heure Affiche la date et l'heure exacte.

Recherche automatique de nouvelles stations – DAB

De temps à autre, il se peut que de nouvelles stations soient disponibles. Pour trouver celles-ci :

1. Appuyez sur la **touche Menu**. "Full scan" (Balayage complet) est ensuite affiché à l'écran.
2. Appuyez sur le **bouton de Fréquence**. La radio effectue alors un balayage complet des fréquences de la DAB Bande III. Lorsque la radio trouve de nouvelles stations, celles-ci sont ajoutées à la liste des stations disponibles.

Recherche manuelle de stations – DAB

Une recherche manuelle vous offre la possibilité de sélectionner directement des stations dans la DAB Bande III.

1. Appuyez sur la **touche Menu**. “Full scan” (Balayage complet) est ensuite affiché à l’écran.
2. Tournez le **bouton de Fréquence** jusqu’à ce que “Manual tuning” (Syntonisation manuelle) soit affiché à l’écran. Appuyez ensuite sur le **bouton de Fréquence**.
3. Tournez le **bouton de Fréquence** pour rechercher la fréquence DAB souhaitée. Appuyez sur le **bouton de Fréquence** pour sélectionner la fréquence en question.
4. L’affichage de la force du signal indique le niveau du signal capté par la radio. Le bloc ouvert indique le niveau minimum du signal nécessaire pour obtenir une bonne réception. L’affichage de la force du signal change lorsque vous changez la position de l’antenne.
5. Lorsque la radio capte un signal DAB, le nom de la station est affiché à l’écran.
6. Appuyez sur le **bouton de Fréquence** pour revenir au menu DAB standard.

Réglages Dynamic Range Control (DRC) – DAB

La fonction DRC permet de rendre des sons doux plus audibles lorsque la radio est utilisée dans un environnement ou un endroit particulièrement bruyant.

1. Appuyez sur la **touche Menu**. “Full scan” (Balayage complet) est ensuite affiché à l’écran.
2. Tournez le **bouton de Fréquence** jusqu’à ce que “DRC value” (Valeur DRC) soit affiché à l’écran. Appuyez ensuite sur le **bouton de Fréquence**.
3. Tournez le **bouton de Fréquence** pour choisir le réglage DRC souhaité (normalement, la fonction DRC est désactivée).

i.	DRC Off	fonction DRC désactivée.
ii.	DRC 1/2	niveau DRC réglé à 50% du niveau émis.
iii.	DRC 1	niveau DRC réglé à 100% du niveau émis.
4. Appuyez sur le **bouton de Fréquence** pour confirmer votre sélection et revenir au menu DAB standard.

Remarque : Toutes les stations DAB n’utilisent pas la fonction DRC. Lorsqu’une station n’émet aucune information DRC, les réglages DRC n’ont aucun effet sur la radio.

Suppression de stations (Fonction “Prune”) – DAB

Lorsque vous vous rendez dans une autre région ou dans un autre pays, il se peut que certaines stations ne soient plus disponibles. Il se peut également que certaines stations arrêtent d’émettre ou changent de fréquence. La fonction “Prune” (Suppression) permet de supprimer de la liste des stations, les stations qui ne sont plus disponibles.

1. Appuyez sur la **touche Menu**. “Full scan” (Balayage complet) est ensuite affiché à l’écran.
2. Tournez le **bouton de Fréquence** jusqu’à ce que “Prune” (Suppression) soit affiché à l’écran. Appuyez ensuite sur le **bouton de Fréquence**.
3. Tournez le **bouton de Fréquence** pour choisir “Yes”(Oui) ou “No”(Non) (Le réglage standard est Non).
4. Appuyez sur le **bouton de Fréquence** pour confirmer votre sélection et revenir au menu DAB standard.

Remarque : Lorsque vous vous rendez dans une autre région ou dans un autre pays, il est conseillé d’effectuer une recherche des nouvelles stations disponibles. Voir à cet effet le point “Recherche de nouvelles stations”.

MODE FM / FONCTIONNEMENT DE LA RADIO

Recherche automatique de stations

1. Appuyez sur la **touche ON/OFF** pour allumer la radio.
2. Appuyez sur la **touche Source** pour sélectionner le mode **FM**.
3. Lors de la première utilisation de la radio, la station dans la mémoire de présélection 1 sera sélectionnée. Si la radio a déjà été utilisée dans le passé, la dernière station écoutée sera dans ce cas sélectionnée.
4. Appuyez sur le **bouton de Fréquence** pour démarrer la recherche automatique de stations.
5. La radio lance la recherche et s’arrête automatiquement lorsqu’elle trouve une station offrant une bonne réception.
6. Pour rechercher une autre station, appuyez de nouveau sur le **bouton de Fréquence**.
7. Pour rechercher des stations dans le sens opposé, tournez le **bouton de Fréquence** dans le sens des aiguilles d’une montre (pour rechercher des stations depuis les basses fréquences vers les hautes fréquences) ou dans le sens inverse des aiguilles d’une montre (pour rechercher des stations depuis les hautes fréquences vers les basses fréquences) et appuyez ensuite sur le **bouton de Fréquence**.
8. Lorsque la fin de la plage de fréquences est atteinte, la radio recommence la recherche depuis l’autre extrémité de la plage de fréquences.

Recherche manuelle de stations

1. Appuyez sur la **touche ON/OFF** pour allumer la radio.
2. Appuyez sur la **touche Source** pour sélectionner le mode **FM**.
3. Lors de la première utilisation de la radio, la station dans la mémoire de présélection 1 sera sélectionnée. Si la radio a déjà été utilisée dans le passé, la dernière station écoutée sera dans ce cas sélectionnée.
4. Tournez le **bouton de Fréquence** pour atteindre la station **FM** souhaitée. La fréquence change par incréments de 50 kHz.
5. Tournez le **bouton de réglage du Volume** pour obtenir le niveau de volume souhaité.
6. Tournez éventuellement l’antenne pour obtenir une meilleure réception.
7. Lorsque la fin de la plage de fréquences est atteinte, la radio recommence la recherche depuis l’autre extrémité de la plage de fréquences.

Service de données RDS

Le RDS (Radio Data System) est un système d’informations par lequel des informations numériques non audibles sont transmises en plus du programme radio FM normal. Lorsque la radio capte une station RDS et que la force du signal de réception est suffisante, le nom de la station apparaît à l’écran LCD. Un certain temps peut s’écouler avant que les informations RDS soient disponibles.

Activation du service RDS

Lorsque vous écoutez une station FM comportant le système RDS, appuyez plusieurs fois sur la touche Info pour parcourir les informations RDS. Ceci fonctionne uniquement lorsque la réception est suffisamment bonne et claire.

- | | |
|----------------------------|---|
| a. Service Programme (PS) | Affiche le nom de la station que vous écoutez. |
| b. Type de programme (PTY) | Affiche le type de station que vous écoutez, par exemple Pop, Classique, Actualités, etc. |
| c. Radio texte (RT) | Affiche des messages de la station que vous écoutez, sous la forme d'un texte défilant. |
| d. Date et heure | Affiche la date et l'heure exacte. |
| e. Force du signal (SGLV) | Affiche la force du signal de réception de la station que vous écoutez. |

Réglage de la sensibilité de balayage – FM

La radio effectue normalement un balayage de toutes les stations FM, y compris celles dont le signal est faible. Il vous est toutefois possible de régler la fonction de balayage de telle sorte que seules les stations dont le signal est fort assez pour offrir une bonne réception, soient captées.

1. Appuyez sur la **touche ON/OFF** pour allumer la radio.
2. Appuyez sur la **touche Source** pour sélectionner le mode **FM**.
3. Appuyez sur la **touche Menu**. "Scan setting" (Réglage de la sensibilité de balayage) est ensuite affiché à l'écran.
4. Appuyez sur le **bouton de Fréquence**.
5. Tournez le **bouton de Fréquence** pour choisir "All stations" (Toutes les stations) ou "Strong stations" (Stations au signal fort). Le réglage standard est "All stations" (Toutes les stations).
Lorsque l'option "Strong stations" (Stations au signal fort) a été sélectionnée, la radio capte, lors du balayage des stations FM, uniquement les stations dont le signal est fort.
6. Appuyez sur le **bouton de Fréquence** pour confirmer le réglage.

PRESELECTION DE STATIONS

Mémoire de stations présélectionnées

La radio possède 20 emplacements de mémoire de stations présélectionnées, 10 pour la FM et 10 pour la DAB. Les stations présélectionnées sont conservées dans la mémoire de la radio même en cas de coupure de courant.

1. Appuyez sur la **touche ON/OFF** pour allumer la radio.
2. Appuyez sur la **touche Source** pour sélectionner le mode FM.
3. Sélectionnez la station souhaitée.
4. Appuyez sur la **touche de Présélection** souhaitée jusqu'à ce que la radio émette un bip et affiche par exemple "Preset 1 saved" (Présélection 1 mémorisée).
5. Répétez les étapes 3 et 4 pour les autres présélections.
6. Les stations présélectionnées et mémorisées peuvent être écrasées en répétant les points 3 et 4 ci-dessus.

Rappel de stations présélectionnées

1. Appuyez sur la **touche ON/OFF** pour allumer la radio.
2. Appuyez sur la **touche Source** pour sélectionner le mode FM.
3. Appuyez brièvement sur la **touche de Présélection** souhaitée. Le numéro de la présélection et la fréquence de la station sont ensuite affichés à l'écran.

MODE BLUETOOTH

Appareiller votre téléphone portable en Bluetooth

1. Appuyez sur la **touche ON/OFF** pour allumer la radio.
2. Appuyez sur la **touche Source** pour sélectionner le mode Bluetooth.
3. L'écran LCD indique alors « Not connected » (Non connecté) tant que la radio n'est pas couplée avec votre téléphone portable.
4. Activez le Bluetooth dans le menu Réglages de votre téléphone, puis sélectionnez « **PP RockBox 2** » dans la liste des appareils Bluetooth de votre téléphone (Les instructions d'appareillage peuvent varier en fonction de votre type de téléphone. Consultez le mode d'emploi de votre téléphone).
5. Une fois appareillés, l'écran d'affichage LCD affiche « BT connected » (Bluetooth connecté) sur la première ligne, et le nom de votre téléphone sur la seconde ligne après environ 2 secondes.
6. Puis l'écran d'affichage affichera le nom du téléphone portable connecté sur la première ligne pour indiquer l'appareil connecté à la radio.

Écouter la musique de votre téléphone

1. Appuyez sur la **touche ON/OFF** pour allumer la radio.
2. Appuyez sur la **touche Source** pour sélectionner le mode Bluetooth.
3. Lancez votre titre sur le lecteur media du téléphone appareillé.

- Utilisez les **touches ►||, ►►| et |◄◄** (touches de présélection 3, 4 et 5) de la radio pour commander les différentes fonctions d'écoute de vos morceaux préférés.
- Lorsque la lecture du morceau commence, le titre du morceau s'affiche sur l'écran LCD.

Modes d'affichage - Bluetooth

La radio possède différentes options d'affichage lorsqu'elle est en mode Bluetooth.. Appuyez sur la **touche Info** pour naviguer entre les différentes options.

- Titre du morceau : Affiche le titre du morceau actuellement en lecture.
- Artiste : Affiche le nom de l'artiste du morceau actuellement en lecture.
- Album : Affiche les informations sur l'album en cours de lecture.
- Statut : Affiche le statut du morceau. Par exemple en lecture, en pause
- Info musique : Affiche le format du fichier et le taux d'échantillonnage du morceau en lecture. Par exemple « AAC » est le format du morceau; « 44100 Hz » est le taux d'échantillonnage du morceau.
- Heure et date : Affiche l'heure et la date

Liste des appareils - Se connecter à l'appareil couplé

Sur cette radio, vous pouvez sélectionner l'appareil Bluetooth à appareiller dans la Liste des appareils afin de vous reconnecter à cet appareil.

Les noms des appareils s'afficheront dans la liste si le nom du Bluetooth a été préalablement configuré dans les appareils mobiles. Référez-vous au mode d'emploi de votre téléphone portable pour la configuration.

La liste des appareils peut-être consultée en suivant ces instructions:

- En mode Bluetooth, appuyez sur la **touche Menu** pour entrer dans le menu réglage.
- Tournez le **bouton de Fréquence** jusqu'à ce que « Device Liste » (Liste des appareils) s'affiche à l'écran; appuyez sur le **bouton de Fréquence** pour sélectionner le réglage.
- Tournez le **bouton de Fréquence** pour voir le nom des appareils.
- Appuyez sur le **bouton de Fréquence** pour commencer la reconnexion Bluetooth. La radio se reconnectera automatiquement à l'appareil mobile sélectionné.

Remarque: Cette radio peut mémoriser jusqu'à 8 appareils Bluetooth. Lorsque la mémoire dépasse ce nombre, le premier appareil couplé sera effacé de la radio.

Remarque: Si vous avez effacé « **PP RockBox 2** » de la liste des appareils de votre téléphone portable, la reconnexion automatique ne pourra s'établir.

Recommencer l'appareillage Bluetooth

La fonction Bluetooth peut être gérée de différentes manières:

- En mode Bluetooth, appuyez sur la **touche Menu** pour entrer dans le menu de réglages.
- Tournez le **bouton de Fréquence** pour sélectionner l'option « Disconnect BT » (déconnecter le Bluetooth), et appuyez sur le **bouton de Fréquence** pour sélectionner le réglage désiré.

- L'écran d'affichage LCD affichera alors « Please wait » (Attendre SVP) pendant quelques secondes afin de déconnecter l'appareillage actuel avec l'appareil mobile.
- L'écran d'affichage affichera « Not connected » (Non connecté) et le Bluetooth de la radio sera alors disponible pour être connecté à un autre appareil mobile puisqu'il sera désormais en mode visible.

Remarque: Disconnect Bluetooth (Déconnectez le Bluetooth) est l'option qui force le Bluetooth de la radio à se déconnecter de l'appareil mobile et à devenir visible pour un autre appareillage. Si aucun nouvel appareil est appareillé, le Bluetooth de la radio tentera automatiquement de se reconnecter au dernier appareil couplé lorsque la radio sera rallumée.

La fonction Auto- Power Management sera activée en mode Bluetooth. S'il n'y a pas de signal* pendant plus de 15 minutes, la radio se mettra automatiquement en mode veille. Appuyez sur la touche On/Off pour enclencher la radio à nouveau.

*Lorsque le signal entrant de l'appareil externe est trop faible et ne peut être détecté pendant plus de 15 minutes, par la fonction Auto-Power management, la radio se mettra automatiquement en mode veille.

Pour l'éviter, augmentez suffisamment la puissance de sortie de l'appareil externe pour qu'il soit détecté.

MODE AUX-IN

Une prise **Aux-In** stéréo de 3,5 mm est prévue sur le côté de la radio, derrière la coiffe en caoutchouc, et permet d'y brancher des appareils audio externes tels que lecteur MP3 ou lecteur de CD (non fourni avec la radio).

- Raccordez une source audio à la prise **Aux-In**.
- Appuyez sur la **touche Source** pour sélectionner l'entrée Aux-In. L'écran affiche ensuite "AUX-IN".
- Allumez et démarrez le lecteur externe.
- Réglez le volume de la radio et du lecteur au niveau d'écoute souhaité.
- Assurez-vous que la coiffe en caoutchouc se trouve correctement positionnée sur la prise après utilisation de celle-ci, afin d'empêcher l'humidité ou la poussière de pénétrer dans la radio.

Remarque : N'utilisez jamais la prise AUX-IN sous la pluie ou dans un environnement humide, de façon à éviter que de l'humidité pénètre dans la radio. Conservez dans ce cas la coiffe en caoutchouc toujours bien fermée.

La fonction de gestion d'alimentation automatique sera activée en mode AUX. S'il n'y a aucun signal de la prise d'entrée AUX pendant plus de 15 minutes, l'unité passera automatiquement en veille. L'indicateur d'utilisation et l'écran LCD s'éteindront dans ce cas. Une pression sur la touche On/Standby réveillera l'unité.

REGLAGE DE L'HEURE ET DE LA DATE

L'heure et la date peuvent être réglées uniquement lorsque la radio est éteinte. Lorsqu'aucune touche n'est activée pendant 5 secondes, la radio quitte le mode de réglage de l'heure et l'heure réglée est annulée.

1. Appuyez sur le **bouton de Fréquence** pendant 12 secondes jusqu'à ce que les chiffres correspondant aux heures clignotent à l'écran.
2. Tournez le **bouton de Fréquence** pour régler l'heure.
3. Appuyez sur le **bouton de Fréquence** pour confirmer, les chiffres correspondant aux minutes clignotent ensuite à l'écran.
4. Tournez le **bouton de Fréquence** pour régler les minutes.
5. Appuyez sur le **bouton de Fréquence** pour confirmer, les chiffres correspondant aux jours clignotent ensuite à l'écran.
6. Tournez le **bouton de Fréquence** pour régler le jour exact.
7. Appuyez sur le **bouton de Fréquence** pour confirmer, les chiffres correspondant aux mois clignotent ensuite à l'écran.
8. Tournez le **bouton de Fréquence** pour régler le mois exact.
9. Appuyez sur le **bouton de Fréquence** pour confirmer, les chiffres correspondant aux années clignotent ensuite à l'écran.
10. Tournez le **bouton de Fréquence** pour régler l'année exacte.
11. Appuyez sur le **bouton de Fréquence** pour confirmer. "SYNCLOCK ON" (Synchronisation de l'heure) clignote ensuite à l'écran.
12. Tournez le **bouton de Fréquence** pour sélectionner "SYNCLOCK ON" ou "SYNCLOCK OFF".
13. Appuyez sur le **bouton de Fréquence** pour confirmer votre choix et terminer le réglage de l'heure et de la date.

Synchronisation de l'heure par stations RDS

Lorsque "SYNCLOCK ON" a été sélectionné, le symbole "⌚" apparaît à l'écran. Certaines stations RDS transmettent un signal horaire. Si la réception est bonne et que vous avez sélectionné l'option "SYNCLOCK ON", l'heure sera réglée automatiquement ("⌚" clignote à l'écran). La synchronisation de l'heure peut prendre quelques minutes. Le réglage automatique de l'heure est toujours activé lorsque la radio est allumée en mode de réception FM et capte une station RDS.

SONORITE

Appuyez sur la **touche Loudness** (Sonorité) pour obtenir une compensation dans les basses et hautes fréquences. L'effet sera plus audible lorsque la radio est réglée à un faible volume (Dynamic Loudness). L'écran LCD affiche brièvement "Loudness On" ou "Loudness Off" lors de chaque pression sur la touche.

Réglage de la sensibilité de balayage – FM

La radio effectue normalement un balayage de toutes les stations FM, y compris celles dont le signal est faible. Il vous est toutefois possible de régler la fonction de balayage de telle sorte que seules les stations dont le signal est fort assez pour offrir une bonne réception, soient captées.

1. Appuyez sur la **touche ON/OFF** pour allumer la radio.
2. Appuyez sur la **touche Source** pour sélectionner le mode **FM**.
3. Appuyez sur la **touche Menu**. "Scan setting" (Réglage de la sensibilité de balayage) est ensuite affiché à l'écran.
4. Appuyez sur le **bouton de Fréquence**.
5. Tournez le **bouton de Fréquence** pour choisir "All stations" (Toutes les stations) ou "Strong stations" (Stations au signal fort). Le réglage standard est "All stations" (Toutes les stations).
Lorsque l'option "Strong stations" (Stations au signal fort) a été sélectionnée, la radio capte, lors du balayage des stations FM, uniquement les stations dont le signal est fort.
6. Appuyez sur la **bouton de Fréquence** pour confirmer le réglage.

SELECTION DE LA LANGUE

La radio peut être réglée de façon à ce que l'affichage soit dans la langue de votre choix.

1. Appuyez sur la **touche ON/OFF** pour allumer la radio.
2. Appuyez sur la **touche Source** pour sélectionner le mode FM ou DAB.
3. Appuyez sur la **touche Menu** et tournez le **bouton de Fréquence** jusqu'à ce que "System" soit affiché à l'écran.
4. Appuyez sur le **bouton de Fréquence** et tournez ensuite le **bouton de Fréquence** jusqu'à ce que "Language" (Langue) soit affiché à l'écran.
5. Appuyez sur le **bouton de Fréquence** pour entrer dans le menu de sélection de la langue.
6. Tournez le **bouton de Fréquence** pour sélectionner la langue souhaitée. Le réglage standard est l'anglais.
7. Appuyez sur le **bouton de Fréquence** pour confirmer votre sélection.

VERSION DE LOGICIEL

Il n'est pas possible de modifier l'affichage de la version du logiciel. Cet affichage est donné uniquement à titre d'information. Il est possible de voir la version du logiciel dans le menu DAB ou FM.

1. Appuyez sur la **touche ON/OFF** pour allumer la radio.
2. Appuyez sur la **touche Source** pour sélectionner le mode FM ou DAB.
3. Appuyez sur la **touche Menu** et tournez le **bouton de Fréquence** jusqu'à ce que "System" soit affiché à l'écran.
4. Appuyez sur le **bouton de Fréquence** et tournez ensuite le **bouton de Fréquence** jusqu'à ce que "SW version" (Version du logiciel) soit affiché à l'écran.
5. Appuyez sur le **bouton de Fréquence** pour voir la version du logiciel.
6. Appuyez sur le **bouton de Fréquence** pour revenir au menu standard de la radio.

Remarque : La prise USB dans le logement des piles est destinée à la mise à jour éventuelle du logiciel.

REINITIALISATION DU SYSTEME

Lorsque la radio ou l'affichage ne fonctionne pas correctement ou en l'absence d'affichage, suivez la procédure ci-dessous.

1. Appuyez sur la **touche ON/OFF** pour allumer la radio.
2. Appuyez sur la **touche Menu** et tournez le **bouton de Fréquence** jusqu'à ce que "System" soit affiché à l'écran.
3. Appuyez sur le **bouton de Fréquence** et tournez ensuite le **bouton de Fréquence** jusqu'à ce que "Factory reset" (Réglages d'usine) soit affiché à l'écran.
4. Appuyez sur le **bouton de Fréquence** et tournez ensuite le **bouton de Fréquence** pour sélectionner "Yes" (Oui) ou "No" (Non).
5. Appuyez sur le **bouton de Fréquence** pour confirmer votre sélection.
6. Une réinitialisation complète de la radio sera alors effectuée. La mémoire de stations présélectionnées sera effacée et tous les réglages personnels seront annulés. Les réglages d'usine seront ensuite restaurés. Le message "WELCOME TO DIGITAL RADIO" (BIENVENUE A LA RADIO NUMERIQUE) sera affiché à l'écran et la radio effectuera ensuite automatiquement un balayage de la plage de fréquences DAB et FM. Le message "ATS setting" (Réglage ATS) sera affiché à l'écran.

En cas de perturbations provoquées par une décharge électrostatique, réinitialisez la radio comme décrit ci-dessus. En cas d'échec, retirez la fiche du cordon d'alimentation de la radio de la prise de courant et réinsérez celle-ci.

REGLAGE DE LA TONALITE

La fonction de réglage de la tonalité (Tone) vous permet d'ajuster le niveau des basses et des aiguës en fonction de vos goûts personnels.

1. Appuyez sur la **touche ON/OFF** pour allumer la radio.
2. Appuyez sur le **bouton de Volume** pendant 3 sec. "BASS 0" (BASSES 0) sera alors affiché à l'écran.
3. Tournez le **bouton de Volume** pour régler les basses au niveau souhaité.
4. Appuyez sur le **bouton de Volume** pour confirmer. "TREBLE 0" (AIGUËS 0) sera ensuite affiché à l'écran.
5. Tournez le **bouton de Volume** pour régler les aiguës au niveau souhaité.
6. Appuyez sur le **bouton de Volume** pour confirmer votre sélection et retourner à l'écran normal.

SYSTEME DE PROTECTION CONTRE LE VOL

Cette radio est équipée d'un système anti-vol (ATP system). Lorsque le système anti-vol est activé, un code de sécurité est requis pour allumer la radio.

1. Pressez la **touche ON/OFF** pour allumer la radio.
2. Pressez la **touche Menu**.
3. L'écran affiche "System".
4. Tournez le **bouton de Fréquence** jusqu'à ce que l'écran affiche "Passcode". Pressez le **bouton de Fréquence**. "Enable" ou "Disable" sera affiché. Pour activer le système de protection contre le vol, tournez puis pressez le **bouton de Fréquence** pour sélectionner "Enable".
5. "Change Passcode" sera alors affiché à l'écran. Entrez un code à 4 chiffres en pressant les boutons de présélection (1-10)
6. "Confirm Passcode" sera ensuite affiché à l'écran. Entrez votre code une seconde fois pour re-confirmer.
7. Pour désactiver le mot de passe, sélectionnez "Disable" comme expliqué précédemment. Entrez à nouveau votre code à 4 chiffres pour désactiver le verrouillage.

Lorsque le système anti-vol est activé et si un mauvais code est composé trois fois de suite, un minuteur sera enclenché. La prochaine tentative ne sera possible qu'une fois que le temps affiché à l'écran sera écoulé. Le minuteur affichera un temps de plus en plus long à mesure que le mauvais code sera composé.

AVERTISSEMENT: Si vous choisissez d'activer le code à quatre chiffres, il est préférable de le noter dans un endroit en sécurité dans le cas où vous l'oubliez. En effet, il n'y a aucun moyen de réinitialiser la radio si vous oubliez le code!

F

RETROECLAIRAGE LCD

Configuration du rétro-éclairage de l'écran d'affichage LCD

1. Appuyez sur la **touche ON/OFF** pour allumer la radio.
2. Appuyez sur la **touche Menu** puis tournez le bouton du contrôle de réglage jusqu'à ce que l'écran affiche « System ».
3. Appuyez sur le **bouton de Fréquence**; tournez le **bouton de Fréquence** jusqu'à ce que l'écran affiche « LCD backlight » (LCD éclairage).
4. Appuyez sur le **bouton de Fréquence** pour entrer dans le menu de réglage du rétro-éclairage de l'écran d'affichage LCD.
5. Tournez le **bouton de Fréquence** pour sélectionner « on » afin de garder le rétro-éclairage continuellement allumé lorsque la radio fonctionne sur secteur.
6. Ou tournez le **bouton de Fréquence** pour sélectionner « off » (par défaut) afin que lorsque vous utilisez la radio sur secteur, le rétro-éclairage reste allumé pendant environ 10 secondes à chaque fois que vous appuyez sur un bouton.
7. Appuyez sur le **bouton de Fréquence** pour confirmer votre choix.

Remarque: L'option de rétro-éclairage de l'écran LCD est seulement fonctionnelle sur « on » lorsque la radio fonctionne sur secteur. Lorsqu'elle fonctionne sur piles, l'option de rétro-éclairage de l'écran LCD est automatiquement sur « off » - 10 secondes d'éclairage de l'écran lorsqu'un bouton est pressé. Lorsque la radio est branchée à nouveau sur secteur, la dernière configuration choisie par l'utilisateur sera à nouveau appliquée.

OPTION MESSAGE D'ACCUEIL

Cette radio est munie d'une option de personnalisation: il est effectivement possible de nommer la radio. Si la radio a été nommée, le nom de la radio s'affiche lorsque la radio s'allume et lorsque la radio s'éteint.

1. Appuyez sur la **touche ON/OFF** pour allumer la radio.
2. Appuyez sur la **touche Menu** puis tournez le **bouton de Fréquence** jusqu'à ce que « System » (système) soit affiché à l'écran.
3. Appuyez sur le **bouton de Fréquence** et tournez celui-ci jusqu'à ce que « Name » (Nom) soit affiché à l'écran. Appuyez sur le **bouton de Fréquence**.
4. Tournez le **bouton de Fréquence** pour sélectionner les lettres. La longueur maximale du nouveau nom est de 16 lettres.
5. Appuyez sur le **bouton de Fréquence** pour confirmer la sélection. En appuyant sur ce **bouton de Fréquence**, le curseur se déplace en position suivante pour une nouvelle sélection.
6. Appuyez sur le bouton **P3 ou P4** pour déplacer le curseur vers la gauche ou vers la droite.
7. Répétez les étapes 4 à 6 pour configurer le nouveau nom de la radio.
8. Pour achever de paramétrer le nouveau nom de la radio, vous pouvez au choix sélectionner les 16 lettres ou appuyer sur la **touche Menu**.
9. Lorsque le paramétrage du nom de la radio sera terminé, l'écran LCD affichera « Confirm changes » (confirmer les modifications) et « OK » pour sauvegarder les modifications ou « Cancel » (annuler) pour abandonner les modifications.
10. Pour confirmer les modifications, tournez le **bouton de Fréquence** jusqu'à « OK » puis pressez ensuite le **bouton de Fréquence** pour sortir du menu. Après cette action, la radio sauvegardera le nouveau nom. **Fréquence**
11. Pour annuler les modifications, tournez le **bouton de Fréquence** jusqu'à « Cancel » (annuler) et appuyez ensuite sur le **bouton de Fréquence** pour sortir du menu. Après cette action, la radio abandonnera les modifications et gardera le nom actuel de la radio pour l'affichage.
12. Lorsque la radio sera mise en marche la fois suivante, l'écran LCD affichera « Welcome » (Bienvenue) sur la première ligne et le nouveau nom sur la seconde ligne.
13. Lorsque la radio sera arrêtée, l'écran LCD affichera « Goodbye » (Au revoir) sur la première ligne et le nouveau nom sur la seconde ligne.

Remarques:

- Dans le menu Message d'accueil, si aucune action n'est effectuée pendant plus de 20 secondes pendant le paramétrage, la radio sortira automatiquement de la fonction Message d'accueil sans sauvegarder aucune modification.
- Le nom de la radio est vide par défaut. Après avoir effectué une réinitialisation (réglages d'usine) dans le menu, le nouveau nom choisi sera perdu et la configuration par défaut (aucun nom) sera automatiquement affichée.
- La radio peut afficher un nom d'un maximum de 16 lettres.

GARANTIE

Ce produit est garanti pendant deux ans.

AVERTISSEMENT : LA GARANTIE PREND FIN LORSQUE LE BOITIER DE LA RADIO A ETE OUVERT OU LORSQUE DES MODIFICATIONS ONT ETE APORTEES A LA RADIO !

La garantie de la radio ne couvre pas :

- Les dommages et le bris résultant d'une utilisation non correcte, d'un usage abusif, d'une négligence, de modifications, d'accidents ou de réparations non autorisées.
- L'usure normale en cours d'utilisation.
- Le bris ou la courbure excessive de l'antenne télescopique en métal.

CARACTERISTIQUES TECHNIQUES

Source de courant	Fonctionnement sur secteur	AC 230V, 50Hz, courant alternatif
	Fonctionnement sur piles	6 x 1.5V (type IEC R14 / UM-2 / format C)
Plage de fréquences	Bande DAB+/DAB	174.928 – 239.200 MHz
	Bande FM	87.5 – 108 MHz
Autres caractéristiques	Haut-parleur	1 x Ø4"
	Puissance de sortie	1 x 7.5W
	Prise Aux-In	Ø3.5 mm
Bluetooth	Version 3.0 compatible avec les profils Bluetooth A2DP, AVRCP et HFP	

Protection de l'environnement :



Ce produit est fabriqué avec des pièces et des matériaux de qualité, susceptibles d'être réutilisés et recyclés. Lorsque ce produit a atteint la fin de sa vie utile, ne le jetez pas avec les ordures ménagères ordinaires, mais confiez-le à un point de collecte et de recyclage d'appareils électriques et électroniques. Le symbole ci-contre figure à cet effet sur le produit, dans le mode d'emploi ainsi que sur l'emballage.

Veuillez-vous informer auprès des autorités communales au sujet des points de collecte les plus proches de chez vous. Aidez à protéger l'environnement en recyclant les produits usagés.



INHOUD

BELANGRIJKE VEILIGHEIDSINSTRUCTIES	2
BEDIENINGSELEMENTEN	3
STROOMVOORZIENING	5
Gebruik op netstroom.....	5
Gebruik met batterijen.....	5
EERSTE GEBRUIK VAN DE RADIO	6
Extra metalen telescopische antenne	6
DAB MODUS	6
Een zender kiezen – DAB	7
Display modus – DAB	7
Nieuwe stations zoeken – DAB	7
Handmatig zenders zoeken – DAB	8
Dynamic range control (drc) instellingen – DAB	8
Zenders snoeien "prune" – DAB	8
FM MODUS	9
Automatische zenderzoek functie.....	9
Manuele afstemming.....	9
RDS zender-service.....	9
Scan gevoeligheid instelling – FM	10
Instellen van zenders in het voorkeuze-geheugen	10
Oproepen van zenders uit het voorkeuze-geheugen	11
BLUETOOTH MODUS	11
Bluetooth koppelen met uw mobiele telefoon	11
Muziek afspelen vanaf uw mobiele telefoon	11
Display modes – Bluetooth	12
Device list (Apparaten lijst) – Afspelen vanaf een apparaat waarmee eerder is gekoppeld	12
Bluetooth koppelen opnieuw starten	12
AUX IN MODUS	13
INSTELLEN VAN DE KLOK – DATUM	14
LOUDNESS	14
TAALINSTELLING.....	15
SOFTWARE VERSION	16
SYSTEEM RESET	16
TOONREGELING	17
ATP PINCODE BEVEILIGING	17
LCD-VERLICHTING	18
RADIO NAAM OPTIE	19
GARANTIE	20
TECHNISCHE GEGEVENS	20

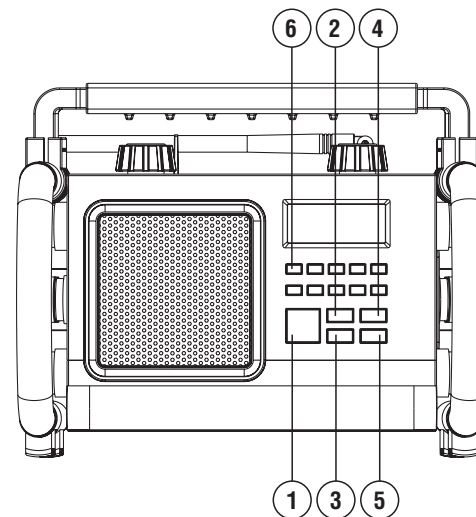
BELANGRIJKE ALGEMENE VEILIGHEIDSINSTRUCTIES

1. Lees deze instructies.
2. Bewaar deze instructies goed.
3. Neem alle waarschuwingen in acht.
4. Volg alle aanwijzingen op.
5. Reinig het uitsluitend met een droge doek.
6. Blokkeer geen ventilatieopeningen en plaats het toestel volgens de instructies.
7. Plaats het niet in de buurt van warmtebronnen zoals verwarmingen, ventilatiekleppen, ovens en andere apparaten (incl. versterkers) die warmte afgeven.
8. Beschadig niet de ten behoeve van de veiligheid gepoolde of gearde stekkers. Een gepoolde stekker bezit twee contacten, een is breder dan de andere. Een gearde stekker bezit twee contacten en een derde pen voor de aarding. Het brede contact of de derde pin dienen voor uw veiligheid. Mocht de meegeleverde stekker niet in uw stopcontact passen, neem dan voor het vervangen van het verouderde stopcontact contact op met een elektricien.
9. Bescherm de stroomkabel, opdat hierop niet gelopen wordt en er geen beschadigingen of knikken optreden aan de stekker, aan het stopcontact of op de plek waar de stekker uit het toestel komt.
10. Gebruik uitsluitend de door de fabrikant aangegeven onderdelen/accessoires.
11. Gebruik het toestel uitsluitend met de door de fabrikant aangegeven of samen met het toestel gekochte wagentjes, standards, driepoten, klemmen of tafel. Wanneer u een wagen gebruikt, wees dan voorzichtig bij het bewegen van de combinatie wagen/toestel om letsel door omvallen te vermijden.
12. Koppel het toestel van de stroomvoorziening af bij onweer of wanneer het langere tijd niet wordt gebruikt.
13. Laat iedere vorm van onderhoud door gekwalificeerd personeel verrichten. Een onderhoud is noodzakelijk wanneer het toestel aan de stroomkabel of stekker beschadigd werd, wanneer er vloeistof of voorwerpen in het toestel zijn binnengedrongen, wanneer het toestel aan regen of vochtigheid was blootgesteld en wanneer het niet normaal functioneert resp. gevallen is.
14. Stel het toestel noch aan regen noch aan vochtigheid bloot om het gevaar voor brand of het risico van een elektrische schok te reduceren.
15. Verwijder de afdekking niet. In het binnenste bevinden zich geen onderdelen waarvoor een onderhoud noodzakelijk is.
16. Geen voorwerpen op het apparaat plaatsen welke een bron zijn van open vlammen.
17. Gebruik bij het gebruik in de open lucht op regenachtige dagen of bij vochtig weer uitsluitend batterijen om een elektrische schok te vermijden. Om elektrische schok te voorkomen, als de radio blootgesteld is geweest aan regen of water, dienen zowel het snoer als de stekker volledig gedroogd te worden alvorens de stekker in het stopcontact wordt gestoken.
18. De netstekker moet dicht bij het toestel en steeds toegankelijk zijn, zodat in geval van nood (bijv. om het toestel van het stroomnet te scheiden) alleen de stekker uit het stopcontact moet worden getrokken.
19. De productinformatie is te vinden op de onderzijde van het toestel.
20. Dit apparaat is voorzien van bescherming tegen spattend water (IP65).
21. In geval van storing ten gevolge van Electro-statische ontlading of piekspanning, verwijder de stroombron en sluit deze daarna weer aan.
22. Om mogelijke gehoorschade te voorkomen niet op een hoog volume gedurende een lange periode luisteren.



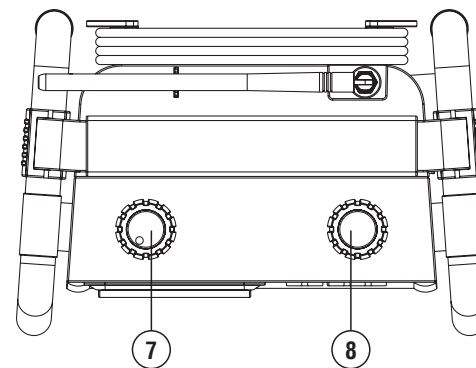
LET OP: gevaar voor elektrische schok – niet openen.

Voorzijde



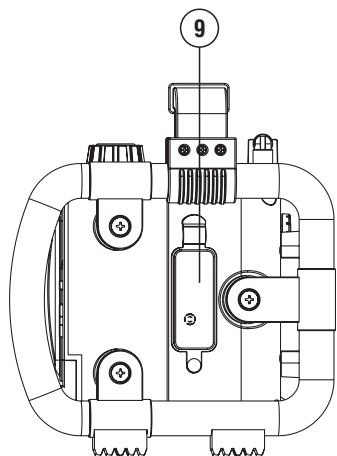
1. Aan-Uit (Standby) toets
2. Audiobron keuzetoets (Source)
3. Menu toets
4. Loudness toets
5. Info toets
6. Voorkeuze-zender toetsen 1-10

Bovenzijde



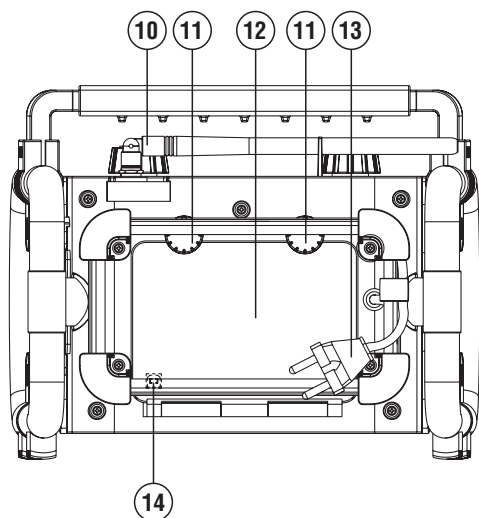
7. Volume draaiknop / Toonregeling
8. Frequentie draaiknop / Zender-zoekknop / Tijd-datum instelling (alleen in Standby)

Zijkant



9. Aux-in ingang

Achterzijde



- 10. Flexibele antenne
- 11. Batterijen-compartiment sluitingen
- 12. Batterijen
- 13. Stroomkabel
- 14. USB ingang (alleen voor eventuele software update)

STROOMVOORZIENING

Gebruik op netstroom

Voordat u de aansluitkabel met het stopcontact verbindt, dient u te controleren of de spanning correct is. Wanneer u tijdens het gebruik op netstroom batterijen in de radio hebt, worden de batterijen automatisch uitgeschakeld en dus niet ontladen. De opberghaken voor de stroomkabel dienen voor het opbergen van de kabel, wanneer de radio niet in gebruik is.

Opmerking: Om het toestel compleet van de netstroom af te koppelen moet de aansluitstekker volledig uit het stopcontact worden getrokken.

In geval van storing ten gevolge van electro-statische ontlading, verwijder de stroombron en sluit deze daarna weer aan.

Gebruik met batterijen

1. Om het batterijen-compartiment te openen draait u eerst de 2 sluitingen van de afdekklep tegen de wijzers van de klok in, om deze los te draaien en trekt u vervolgens de afdekklep naar beneden.
2. Plaats 6 batterijen van het formaat C (UM-2) met in achtneming van de juiste polariteit (+ en -) in het batterijvak. Sluit de afdekklep en draai de 2 sluitingen aan door ze met de klok mee te draaien. Sluit goed af om te voorkomen dat vocht of stof in het compartiment komt.
3. Wanneer het toestel langere tijd niet wordt gebruikt, is het aangeraden om de batterijen uit de radio te verwijderen.

De status van de batterijen (bij benadering) wordt op de LCD-display van de radio aangegeven middels een icoon. Wanneer de capaciteit laag is, verschijnt de mededeling "Battery low!" ("Batterij zwak") en het batterijsymbool op het display knippert. Dan moeten de batterijen op korte termijn worden vervangen om een normaal gebruik van de radio te kunnen garanderen.

Waarschuwing:

Er bestaat gevaar voor explosie, wanneer de batterijen foutief worden vervangen. Vervang uitsluitend door hetzelfde of een equivalent type. Stel de batterijen niet bloot aan een buitensporig grote hitte zoals bijv. fel zonlicht, vuur of iets dergelijks. Batterijen mogen niet door verbranding of via het normale huisvuil worden verwijderd. Wegwerpbatterijen dienen indien mogelijk bij een recyclage-centrum te worden afgegeven.

EERSTE GEBRUIK VAN DE RADIO

1. Plaats de radio op een vlakke ondergrond.
2. Zet de antenna, die zich bovenop de radio bevindt, rechtop.
3. Na de eerste keer aansluiten op een stroombron zal de radio vanzelf opstarten en in de display “WELCOME TO DIGITAL RADIO” aangeven en automatisch het DAB- en FM-frequentiebereik scannen. De display geeft aan “ATS setting” aan.
4. De 10 sterkste zenders worden dan in het voorkeuze-geheugen gezet. Na deze eerste scan zal de radio zichzelf uitschakelen en de display geeft de geupdate tijd/datum aan.
5. Als er geen radiosignaal gevonden werd dan wordt de tijd/datum niet geupdate. Verplaats de radio naar een andere positie met betere radio-ontvangst.

Extra metalen telescopische antenne

Deze kunt u als alternatieve antenne gebruiken op uw radio in gebieden of op locaties waar het radiosignaal (FM/DAB/DAB+) zwak tot zeer zwak is.

Let op; in tegenstelling tot de standaard geplaatste antenne is deze niet flexibel.

Plaatsing: schroef de standaard flexibele antenne eraf. Deze eerst **voorzichtig los maken** met een steeksleutel (maat 14) – draairichting “tegen de klok in”.
Schroef de metalen telescopische antenne er voorzichtig op en **zet hem zachtjes vast** met een steeksleutel (maat 14) – draairichting “met de klok mee”.

LET OP: de antennes niet overmatig vastzetten met de steeksleutel om te voorkomen dat schroefdraad van de antennes afbreekt.

DAB MODUS / BEDIENING VAN DE RADIO

1. Zet de antenne rechtop. Druk op de **Aan/uit toets** om de radio in te schakelen.
2. De eerste zender (in numerieke-alpha volgorde 0...9,A...Z) in de zenderlijst zal afspelen. De display toont de naam van de zender. Als de radio eerder is gebruikt zal de laatst geselecteerde zender afspelen.
3. Als geen zendersignaal wordt gevonden wordt “No stations available” (“Geen zenders beschikbaar”) weergegeven. Het kan dan nodig zijn om de radio te verplaatsen naar een andere positie met een betere radio-ontvangst. U kunt dan een Auto Scan uitvoeren om zenders te zoeken. Zie verderop “Nieuwe zenders zoeken – DAB”.

Een zender kiezen – DAB

1. Druk op de **Aan/uit toets** om de radio in te schakelen. De display geeft aan “Now tuning” gedurende enkele seconden.
2. De display geeft de naam van de zender aan die speelt aan.
3. Draai de **Frequentie draaiknop** om door de lijst van beschikbare zenders te lopen.
4. Als de naam van de gewenste zender verschijnt druk dan op de **Frequentie draaiknop** om de zender te selecteren. De display geeft aan “Now tuning” terwijl de radio de zender oproept.

Note: Als na het selecteren de display aangeeft “No stations available” dan kan het nodig zijn de radio te verplaatsen naar een andere positie om ontvangst te krijgen.

Display modus – DAB

In de DAB modus kan de radio diverse informatie aangeven.

1. Druk op de Info toets om de diverse informatie te doorlopen.
 - a. Lopende tekst Geeft mededelingen van de beluisterde zender als doorlopende tekst aan.
 - b. Signaal sterkte Geeft het ontvangen niveau van de signaalsterkte van de zender aan. Het open blokje geeft het minimum signaalniveau aan nodig voor een goede ontvangst.
 - c. Programma type Geeft het type programma aan die u hoort, bijv. pop, klassiek, nieuws, enz.
 - d. Multiplex naam Geeft de naam van de multiplex aan waartoe de zender behoort.
 - e. Kanaal & frequentie Geeft het nummer en de frequentie aan van de zender.
 - f. Bit rate & audio type Geeft de audio bit rate van de uitzending weer.
 - g. Tijd en datum Geeft de actuele tijd en de datum aan.

Nieuwe stations zoeken – DAB

Van tijd tot tijd kunnen er nieuwe zenders beschikbaar zijn. Om deze te vinden:

1. Druk op de **Menu toets**, de display geeft aan “Full scan”.
2. Druk op de **Frequentie draaiknop**, de radio scant de frequenties van de DAB Band III. Als er nieuwe zenders gevonden worden dan worden deze toegevoegd aan de zenderlijst.

Handmatig zenders zoeken – DAB

Handmatig afstemmen geeft u de mogelijkheid om direct zenders te kiezen in de DAB Band III.

1. Druk op de **Menu toets**, de display geeft aan “Full scan”.
2. Draai de **Frequentie draaiknop** tot de display “Manual tuning” aangeeft. Druk op de **Frequentie draaiknop**.
3. Draai de **Frequentie draaiknop** om de gewenste DAB frequentie te zoeken. Druk op de **Frequentie draaiknop** om deze gewenste frequentie te selecteren.
4. De signaalsterkte display geeft het ontvangen niveau van de zender aan. Het open blokje geeft het minimum signaalniveau aan nodig voor een goede ontvangst. De signaalsterkte aanduiding verandert als u de positie van de antenne verandert.
5. Als een DAB signal gevonden is toont de display de naam van het station.
6. Druk op de **Frequentie draaiknop** om terug te keren naar het standaard DAB menu.

Dynamic Range Control (DRC) instellingen – DAB

DRC kan zachtere geluiden beter hoorbaar maken als de radio in een lawaaierige omgeving gebruikt wordt.

1. Druk op de **Menu toets**, de display geeft aan “Full scan”.
2. Draai de **Frequentie draaiknop** tot de display “DRC value” aangeeft. Druk op de **Frequentie draaiknop**.
3. Draai de **Frequentie draaiknop** tot de gewenste DRC instelling (standaard is Off).
 - i. DRC Off DRC uitgeschakelt.
 - ii. DRC 1/2 DRC niveau op ½ van het uitgezonden niveau.
 - iii. DRC 1 DRC volledig weergegeven als uitgezonden.
4. Druk op de **Frequentie draaiknop** om te bevestigen en terug te keren naar het standaard DAB menu.

Opmerking: Niet alle DAB zender gebruiken de DRC functie. Als de zender geen DRC informatie meezendt hebben de DRC instellingen van de radio geen effect.

Zenders snoeien “Prune” – DAB

Als u zich verplaatst naar een ander gebied of land kunnen bepaalde zenders niet meer beschikbaar zijn. Ook kunnen bepaalde zenders stoppen met uitzenden of van frequentie veranderen. De “Prune” (“Snoei”) functie verwijderd dan de niet beschikbare zenders uit uw zenderlijst.

1. Druk op de **Menu toets**, de display geeft aan “Full scan”.
2. Draai de **Frequentie draaiknop** tot de display “Prune” aangeeft. Druk op de **Frequentie draaiknop**.
3. Draai de **Frequentie draaiknop** om te kiezen tussen “Yes” (“Ja”) of “No” (“Nee”) (Standaard is Nee).
4. Druk op de **Frequentie draaiknop** om te bevestigen en terug te keren naar het standaard DAB menu.

Opmerking: Als u zich verplaatst naar een ander gebied of land kunt u best ook nieuwe zenders zoeken. Zie hiervoor “Nieuwe zenders zoeken”.

FM MODUS / BEDIENING VAN DE RADIO

Automatische zenderzoek functie

1. Druk op de **Aan/uit toets** om de radio in te schakelen.
2. Kies de FM modus door het drukken op de **Audiobron keuzetoets**.
3. Bij het eerste gebruik zal de zender in voorkeuze-geheugen 1 afgespeeld worden. Als de radio eerder gebruikt werd dan speelt de laatst beluisterde zender af.
4. Druk op de **Frequentie draaiknop** om de zoekfunctie te starten.
5. De radio zoekt en stopt onmiddellijk, wanneer hij een zender met voldoende signaalsterkte vindt.
6. Om een andere zender te zoeken drukt u opnieuw op de **Frequentie draaiknop**.
7. Om zenders in tegenovergestelde richting te zoeken draait u de **Frequentie draaiknop** met de wijzers van de klok mee (voor het zoeken van lage naar hoge frequentie) of tegen de wijzers van de klok in (voor het zoeken van hoge naar lage frequentie) en drukt dan op de **Frequentie draaiknop**.
8. Wanneer het einde van het frequentiebereik is bereikt, begint de radio opnieuw te zoeken vanaf het tegenovergestelde einde van het frequentiebereik.

Manuele afstemming

1. Druk op de **Aan/uit toets** om de radio in te schakelen.
2. Kies de FM modus door het drukken op de **Audiobron keuzetoets**.
3. Bij het eerste gebruik zal de zender in voorkeuze-geheugen 1 afgespeeld worden. Als de radio eerder gebruikt werd dan speelt de laatst beluisterde zender af.
4. Draai de **Frequentie draaiknop** voor het instellen van de gewenste FM zender. De radiofrequentie gaat in stappen van 50 kHz.
5. Draai de **Volumeregelaar** tot het gewenste volumenniveau is bereikt.
6. Draai eventueel de antenne tot u de beste ontvangst bereikt.
7. Wanneer het einde van het frequentiebereik is bereikt, begint de radio opnieuw te zoeken vanaf het tegenovergestelde einde van het frequentiebereik.

RDS zender-service

RDS (Radio Data System) is een informatiesysteem dat behalve het normale FM-radioprogramma onhoorbare digitale informatie meezendt. Wanneer de radio een RDS-zender ontvangt en de ontvangst voldoende sterk is, verschijnt de naam van de zender in de LCD display. Het kan even duren tot deze RDS informatie beschikbaar is.

Oproepen van de RDS-informatie

Wanneer u naar een FM-zender met RDS-systeem luistert, drukt u meermaals op de **Info toets** om door de RDS-informatie te lopen. Dit functioneert alleen wanneer het niveau van de ontvangst voldoende sterk en helder is.

- | | |
|---------------------------------|---|
| a. Programmaservice (PS) | Geeft de naam van de zender aan die u hoort. |
| b. Programma-type (PTY) | Geeft het type zender aan die u hoort, bijv. pop, klassiek, nieuwsberichten, enz. |
| c. Radiotekst (RT) | Geeft mededelingen van de beluisterde zender als doorlopende tekst aan. |
| d. Datum en tijd | Geeft de actuele tijd en de datum aan. |
| e. Niveau signaalsterkte (SGLV) | Geeft het ontvangen niveau van de signaalsterkte van de zender aan. |

Scan gevoeligheid instelling – FM

De radio scant normaal alle FM zenders inclusief diegene met een zwakker signaal. U kunt de scan functie echter ook instellen dat deze alleen de zenders met een sterk signaal voor een goede ontvangst oppikt.

1. Druk op de **Aan/uit toets** om de radio in te schakelen.
2. Kies de FM modus door het drukken op de **Audiobron keuzetoets**.
3. Druk op de **Menu toets**. De display geeft aan "Scan setting".
4. Druk op de Frequentie draaiknop.
5. Draai de **Frequentie draaiknop** om te selecteren tussen "All stations" ("Alle zenders") of "Strong stations" ("Sterke zenders") Standard instelling is "All stations". De "Strong stations" optie zorgt ervoor dat de radio alleen de sterke zenders oppakt bij het scannen.
6. Druk op de **Frequentie draaiknop** om te instelling te bevestigen.

Instellen van zenders in het voorkeuze-geheugen

Deze radio beschikt over 20 voorkeuze-geheugenplaatsen 10 voor FM en 10 voor DAB. Het voorkeuze-geheugen wordt opgeslagen in de radio ook als de stroombron onderbroken wordt.

1. Druk op de **Aan/uit toets** om de radio in te schakelen.
2. Kies de FM stand door het drukken op de **Audiobron keuzetoets**.
3. Stel de gewenste zender in.
4. Houd de gewenste **Voorkeuze toets** ingedrukt tot de radio piept en bijv. "Preset 1 saved" ("Voorkeuze 1 opgeslagen") aangeeft.
5. Herhaal stap 3 en 4 voor de overige voorinstellingen.
6. In de voorkeuze-geheugens vooraf ingestelde zenders kunnen op de bovenstaande wijze weer worden overgeschreven.

Oproepen van zenders uit het voorkeuze-geheugen

1. Druk op de **Aan/uit toets** om de radio in te schakelen.
2. Kies de FM stand door het drukken op de **Audiobron keuzetoets**.
3. Druk kort op de gewenste **Voorkeuze toets** en het display toont het voorkeuze-nummer en de zenderfrequentie

BLUETOOTH MODUS

Bluetooth koppelen met uw mobiele telefoon

1. Druk op de **Aan/Uit toets** om de radio in te schakelen.
2. Kies de Bluetooth modus door het drukken op **Audiobron keuzetoets** (Source).
3. Op de display wordt "Not connected" ("Niet verbonden") weergegeven wanneer uw radio nog niet is gekoppeld met een mobiele telefoon.
4. Open op uw mobiele telefoon het Bluetooth menu, zoek en selecteer "**PP RockBox 2**" in de lijst van gevonden Bluetooth apparaten (Bluetooth instellingen kunnen per merk en type mobiele telefoon variëren, lees hiervoor de handleiding van uw mobiele telefoon).
5. Wanneer er succesvol een verbinding tot stand is gebracht, geeft de display op de eerste regel "Bluetooth Connected" weer en op de 2e regel de naam van uw mobiele telefoon gedurende ongeveer 2 seconden.
6. Tot slot wordt op de display van de radio op de 1e regel de naam van de verbonden mobiele telefoon weergegeven.

Muziek afspelen vanaf uw mobiele telefoon

1. Druk op de **Aan/Uit toets** om de radio in te schakelen.
2. Kies de Bluetooth modus door het drukken op **Audiobron keuzetoets** (Source).
3. Speel de gewenste muziek af vanaf de media spelers van uw gekoppelde mobiele telefoon.
4. Het afspelen van uw muziek kunt u besturen met de **▶▶**, **▶▶▶** en **◀◀◀** toetsen (voorkeuze toetsen 3, 4 en 5) op de radio.
5. Als het afspelen is gestart wordt in de display de muziktitel van het huidige bestand weergegeven.

Display modes – Bluetooth

In de bluetooth modus kan de radio diverse informatie weergeven van het op dat moment spelende nummer. Druk op **Info toets** om te wisselen tussen de verschillende weergaves.

- | | |
|-----------------|--|
| a. Muziek titel | Weergave van de muziektitel van het huidige bestand. |
| b. Artiest | Weergave van de artiestnaam van het huidige bestand. |
| c. Album | Weergave van de albumnaam van het huidige bestand. |
| d. Status | Weergave van de afspeelstatus. Bijvoorbeeld playing of stopped. |
| e. Muziek info | Weergave van het muziekformaat en sample rate van het huidige bestand. Bijvoorbeeld “AAC” als formaat en “44100Hz” als sample rate |
| f. Tijd & datum | Weergave van de huidige tijd en datum. |

Device list (Apparaten lijst) – Afspelen vanaf een apparaat waarmee eerder is gekoppeld

Op de radio kunt u in de apparatenlijst een apparaat selecteren om opnieuw mee te verbinden.

De namen van de gekoppelde apparaten worden weergegeven wanneer deze op het apparaat zijn ingesteld. Raadpleeg hiervoor de handleiding van uw mobiele.

U raadpleegt de apparaten lijst als volgt:

1. Druk in de Bluetooth modus op **Menu toets** om in de instellingen te komen.
2. Draai aan **Frequentie draaiknop** tot de display “Device list” weergeeft. Druk op **Frequentie draaiknop** om te selecteren.
3. Draai aan **Frequentie draaiknop** om door de lijst met namen te gaan.
4. Druk op **Frequentie draaiknop** om opnieuw te verbinden met het geselecteerde apparaat. De radio verbindt automatisch met het gekozen apparaat.

Opmerking: Dit apparaat kan tot 8 apparaten onthouden waarmee eerder is gekoppeld. Als er met meer dan 8 apparaten is gekoppeld, dan zal het apparaat waarmee het langst niet is gekoppeld worden gewist uit het geheugen.

Opmerking: Wanneer u “**PP RockBox 2**” uit uw lijst van gekoppelde apparaten op uw mobiele telefoon heeft verwijderd, zult u niet automatisch opnieuw kunnen verbinden.

Bluetooth koppelen opnieuw starten

De Bluetooth functie kan op verschillende manieren ingesteld worden:

1. In Bluetooth modus, druk op **Menu toets** om naar de instellingen te gaan.
2. Draai aan **Frequentie draaiknop** om “Disconnect BT” te kiezen, en druk op **Frequentie draaiknop** om te bevestigen.
3. De display geeft “Please wait” een aantal seconden weer tijdens het verbreken van de huidige Bluetooth verbinding.
4. De display geeft “Not connected” weer wanneer de radio gereed is voor het maken van een nieuwe Bluetooth verbinding.

Opmerking: “Disconnect BT” is de optie om de Bluetooth verbinding met uw mobiele telefoon direct te verbreken. De radio zoekt nu naar een nieuw apparaat om verbinding mee te maken. Indien er geen nieuwe verbinding tot stand wordt gebracht zal de radio automatisch proberen te verbinden met het laatste apparaat, wanneer de radio uit en terug aan wordt geschakeld.

De Auto-Power management-functie wordt geactiveerd in Bluetooth modus. Als er gedurende een periode van meer dan 15 minuten, geen signaal* binnenkomt, dan zal de radio automatisch overschakelen naar stand-by modus. Als u op On/Off drukt zal de radio terug aan gaan.

* Ook wanneer het binnenkomende signaal van het externe apparaat te zwak is en niet kan worden gedetecteerd gedurende een periode van meer dan 15 minuten met de Auto-Power management, zal de radio overschakelen naar stand-by modus. Om dit te voorkomen verhoogt u het uitgangsvolume van de externe speler iets tot het voldoende te detecteren is.

AUX IN MODUS

Aan de zijkant achter de rubberen afdekking bevindt zich een 3,5 mm stereo **Aux In ingang** voor het aansluiten van een extern audio-apparaat zoals bijv. een MP3-speler of een CD-speler (niet meegeleverd bij de radio).

1. Verbind een audiobron met de **Aux in ingang**.
2. Druk op de **Audiobron keuzetoets** om AUX IN te kiezen. Het display geeft “AUX IN” aan.
3. Speel de externe speler af.
4. Stel het volume van zowel de radio als de speler in op het gewenste luisterniveau.
5. Zorg ervoor dat de rubberen afdekking na het gebruik weer goed wordt gesloten, zodat er geen vocht of vuil in de radio kan binnendringen.

Opmerking: Gebruik de AUX-IN ingang nooit in de regen of in een vochtige omgeving om te voorkomen dat er vocht binnendringt in de radio! Hou de rubberen afdekking altijd gesloten in deze omstandigheden.

De automatische stroomcontrole functie wordt geactiveerd in de Aux-in modus. Als er gedurende 15 minuten geen signaal ontvangen wordt door de Aux-in ingang dan schakelt de radio vanzelf naar de Standby-stand (Off). De display gaat ook uit. Het apparaat kan weer aangezet worden door op de Standby/Aan-Uit knop te drukken.

INSTELLEN VAN DE KLOK – DATUM

De klok kan alleen dan worden ingesteld, wanneer de radio is uitgeschakeld. Wanneer er 5 seconden lang geen toetsen worden ingedrukt, verlaat de radio de instellingsmodus van de klok en de instelling wordt gewist.

1. Houd de Frequentie draaiknop 12 seconden ingedrukt tot de cijfers voor de uren op het display knipperen.
2. Draai de **Frequentie draaiknop** om de uren in te stellen.
3. Druk de **Frequentie draaiknop** in en de cijfers van de minuten knipperen.
4. Draai de **Frequentie draaiknop** om de minuten in te stellen.
5. Druk de **Frequentie draaiknop** in ter bevestiging en op het display knippert de dag.
6. Draai de **Frequentie draaiknop** om de actuele dag in te stellen.
7. Druk de **Frequentie draaiknop** in ter bevestiging en de maand knippert.
8. Draai de **Frequentie draaiknop** om de lopende maand in te stellen.
9. Druk de **Frequentie draaiknop** in ter bevestiging en op het display knippert het jaar.
10. Draai de **Frequentie draaiknop** om het lopende jaar in te stellen.
11. Druk de **Frequentie draaiknop** in ter bevestiging en “SYNCLOCK ON” (SYNCLOCK AAN) knippert.
12. Draai de **Frequentie draaiknop** voor de keuze van “SYNCLOCK ON” (SYNCLOCK AAN) of “SYNCLOCK OFF” (SYNCLOCK UIT).
13. Druk de **Frequentie draaiknop** in ter bevestiging en beëindiging van de instelling.

RDS tijdsynchronisatie

Wanneer “SYNCLOCK ON” (SYNCLOCK AAN) wordt gekozen, verschijnt het symbool “🕒” in het display. Sommige RDS zenders zenden een tijdsignaal.

Wanneer de ontvangst hiervan goed is en u bij de instelling van de tijd de optie “SYNCLOCK ON” (SYNCLOCK AAN) hebt gekozen, wordt de tijd automatisch aangepast (“🕒” knippert in het display). De synchronisatie van de tijd kan enkele minuten duren. De automatische instelling van de klok wordt steeds geactiveerd, wanneer de radio aan is en naar FM modus wordt geschakeld en een RDS zender ontvangt.

LOUDNESS

Druk op de **Loudness toets** voor compensatie op de lagere en hogere geluidsfrequenties. Het effect zal het best hoorbaar zijn als de radio is ingesteld op een laag volumenniveau (Dynamic Loudness). De LCD display zal kort “Loudness On” of “Loudness Off” tonen als de **Loudness toets** wordt ingedrukt.

Scan gevoeligheid instelling – FM

De radio scant normaal alle FM zenders inclusief diegene met een zwakker signaal. U kunt de scan functie echter ook instellen dat deze alleen de zenders met een sterk signaal voor een goede ontvangst oppikt.

1. Druk op de **Aan/uit toets** om de radio in te schakelen.
2. Kies de FM modus door het drukken op de **Audiobron keuzetoets**.
3. Druk op de **Menu toets**. De display geeft aan “Scan setting”.
4. Druk op de **Frequentie draaiknop**.
5. Draai de **Frequentie draaiknop** om te selecteren tussen “All stations” (“Alle zenders”) of “Strong stations” (“Sterke zenders”) Standard instelling is “All stations”. De “Strong stations” optie zorgt ervoor dat de radio alleen de sterke zenders oppakt bij het scannen.
6. Druk op de **Frequentie draaiknop** om te instelling te bevestigen.

TAALINSTELLING

De radio kan worden ingesteld op diverse talen

1. Druk op de **Aan/uit toets** om de radio in te schakelen.
2. Druk op de **Menu toets** and draai de **Frequentie draaiknop** tot de display “System” toont.
3. Druk op de **Frequentie draaiknop** en draai daarna de **Frequentie draaiknop** tot de display “Language” (“Taal”) toont.
4. Druk op de **Frequentie draaiknop** om in het taalinstellingsmenu te gaan.
5. Draai de **Frequentie draaiknop** om de gewenste taal te selecteren. Standardinstelling is Engels.
6. Druk op de **Frequentie draaiknop** om te instelling te bevestigen.

SOFTWARE VERSION

De weergave van de software kan niet worden aangepast en is alleen voor uw informatie. U kunt de software versie zien in het DAB en FM menu.

1. Druk op de **Aan/uit toets** om de radio in te schakelen.
2. Kies de FM of DAB modus door het drukken op de **Audiobron keuzetoets**.
3. Druk op de **Menu toets** and draai de **Frequentie draaiknop** tot de display "System" toont.
4. Druk op de **Frequentie draaiknop** en draai daarna de **Frequentie draaiknop** tot de display "SW version" toont.
5. Druk op de **Frequentie draaiknop** om de software versie te zien.
6. Druk op de **Frequentie draaiknop** om terug te keren naar de standard radio-menu.

Opmerking: De USB ingang in het batterijen compartiment is voor het eventuele upgraden van de software indien nodig.

SYSTEEM RESET

Als de radio niet correct functioneert of b.v. de weergave in de display ontbreekt geheel of gedeeltelijk, voer dan de volgende procedure.

7. Druk op de **Aan/uit toets** om de radio in te schakelen.
8. Druk op de **Menu toets** and draai de **Frequentie draaiknop** tot de display "System" toont.
9. Druk op de **Frequentie draaiknop** en draai daarna de **Frequentie draaiknop** tot de display "Factory reset" toont.
10. Druk op de **Frequentie draaiknop** en draai daarna de **Frequentie draaiknop** om te selecteren tussen "Yes" ("Ja") en "No" ("Nee")
11. Druk op de **Frequentie draaiknop** om te instelling te bevestigen.
12. Een volledige reset wordt uitgevoerd. Het voorkeuze-geheugen wordt gewist en alle instellingen terug gezet naar de zogenaamde "Fabrieksinstellingen".
De display zal "WELCOME TO DIGITAL RADIO" aangeven en automatisch het DAB- en FM- frequentiebereik scannen. De display geeft aan "ATS setting" aan.

In geval van storing ten gevolge van electro-statische ontlading, reset de radio als hierboven beschreven. Als dat niet werkt verwijder de stroombron en sluit deze daarna weer aan.

TOONREGELING

Met de **Toonregeling (Tone)** functie kunnen de lage tonen (Bass) en hoge tonen (Treble) aan uw persoonlijke voorkeur aangepast worden.

1. Druk op de **Aan/Uit toets** om de radio aan te zetten.
2. Druk op de **Volume draaiknop** gedurende 3 sec, de display toont "BASS 0".
3. Draai aan de **Volume draaiknop** om het gewenste Bass niveau in te stellen.
4. Druk op de **Volume draaiknop** om te bevestigen, de display toont "TREBLE 0".
5. Draai aan de **Volume draaiknop** om het gewenste Treble niveau in te stellen.
6. Druk op de **Volume draaiknop** om te bevestigen.

ATP PINCODE BEVEILIGING

Deze radio is uitgerust met een Anti-Theft-Protection systeem (ATP systeem). Wanneer het ATP system is geactiveerd, is er een pincode nodig om de radio te kunnen gebruiken.

1. Druk op de **Aan/Uit toets** om de radio aan te zetten.
2. Druk op de **Menu toets**.
3. Draai aan de **Frequentie draaiknop** tot "System" op de display verschijnt. Druk op de **Frequentie draaiknop**.
4. Draai aan de **Frequentie draaiknop** tot "Passcode" op de display verschijnt. Druk op de **Frequentie draaiknop**. "Enable" (Activeren) of "Disable" (Deactiveren) zal getoond worden. Om ATP in te schakelen, draai en druk op de Frequentie draaiknop om "Enable" (Activeren) te selecteren.
5. "Change Passcode" zal getoond worden, voer een 4-cijferige pincode in met de voorkeuze toetsen (1-10).
6. "Confirm Passcode" zal getoond worden. Voer een tweede keer dezelfde pincode in om te bevestigen.
7. Om de pincode te deactiveren, selecteert u "Disable", zoals eerder getoond. En voert u de vorige pincode om het ATP slot uit te schakelen. Wanneer ATP is ingeschakeld en er drie keer een onjuiste pincode wordt ingevoerd, wordt een timer geactiveerd. De volgende poging zal slechts mogelijk zijn nadat de timer is verstreken. De timer zal steeds verlengd worden bij meerdere verkeerde pincodes.

WAARSCHUWING: Als u ervoor kiest om een pincode in te stellen, bewaar uw pincode dan ergens als geheugensteun. Dit is sterk aangeraden want er is geen enkele manier om de radio te resetten indien de pincode wordt vergeten!

LCD-VERLICHTING

LCD display verlichting instellen

1. Druk op de **Aan/Uit toets** om de radio in te schakelen.
2. Druk op de **Menu toets**, en draai daarna de **Frequentie draaiknop** tot "System" op de display verschijnt.
3. Druk op de **Frequentie draaiknop**; draai daarna de **Frequentie draaiknop** tot "LCD backlight" op de display verschijnt.
4. Druk op de **Frequentie draaiknop** om toegang te krijgen tot het LCD display verlichting menu.
5. Draai de **Frequentie draaiknop** om "on" te selecteren, deze instelling laat de LCD display verlichting altijd aan wanneer de radio is aangesloten op het stroomnet.
6. Of draai de **Frequentie draaiknop** om "off" te selecteren (standaard), met deze instelling blijft de LCD display verlichting 10 seconden aan nadat een knop is ingedrukt wanneer deze is aangesloten op het stroomnet.
7. Druk op de **Frequentie draaiknop** om de keuze te bevestigen.

Opmerking: De LCD display verlichting instelling „on” is alleen van toepassing wanneer de radio is aangesloten op het stroomnet. Wanneer de radio speelt op batterijen zal de instelling automatisch naar „off” gaan, waarbij de LCD display verlichting 10 seconden aan gaat nadat een knop is ingedrukt. Wanneer de radio weer wordt aangesloten op het stroomnet zal de laatst ingestelde instelling worden gebruikt.

RADIO NAAM OPTIE

U kunt de radio voorzien van een zelf in te stellen naam. Wanneer u een naam heeft ingesteld, toont de display deze naam bij het in- en uitschakelen van de radio.

1. Druk op **Aan/Uit toets** om de radio in te schakelen.
2. Druk op **Menu toets** en draai daarna aan **Frequentie draaiknop** tot "System" op de display verschijnt.
3. Druk op **Frequentie draaiknop**; draai daarna aan **Frequentie draaiknop** tot "Name" op de display verschijnt. Druk op **Frequentie draaiknop**.
4. Draai aan **Frequentie draaiknop** om de karakters te selecteren. De maximale lengte van de nieuwe naam is 16 karakters.
5. Druk op **Frequentie draaiknop** om het geselecteerde karakter te bevestigen. Wanneer u op **Frequentie draaiknop** drukt, zal de cursor naar de volgende positie gaan.
6. Druk op de **Voorkeuzezender P3 of P4** om de cursor naar links of rechts te verplaatsen.
7. Herhaal stap 4 tot 6 om de naam van de radio in te stellen.
8. Om de aangepaste naam op te slaan en de functie te beëindigen, kunt u alle 16 karakters instellen of druk op **Menu toets**.
9. Als u klaar bent met het instellen van de naam, geeft de display "Confirm changes" aan op de bovenste regel van de display, op de tweede regel staat "OK" om op te slaan en "Cancel" om aanpassingen ongedaan te maken.
10. Om op te slaan, draai **Frequentie draaiknop** tot "OK" op de display is geselecteerd, en druk op **Frequentie draaiknop** om af te sluiten. Hiermee is de nieuwe naam van de radio opgeslagen.
11. Om te annuleren, draai **Frequentie draaiknop** tot "Cancel" op de display is geselecteerd, en druk op **Frequentie draaiknop** om af te sluiten. Na deze actie zijn de aanpassingen ongedaan gemaakt en is de vorige naam weer hersteld.
12. De volgende keer dat de radio ingeschakeld wordt, toont de display "Welcome" op de bovenste regel en de ingestelde naam op de tweede regel van de display.
13. Wanneer de radio wordt uitgeschakeld, toont de display "Goodbye" op de bovenste regel en de ingestelde naam op de tweede regel van de display.

Opmerking:

- Wanneer u tijdens het instellen 20 seconden geen keuze maakt worden de instellingen ongedaan gemaakt en de eerder ingestelde naam hersteld.
- Standaard is de naam niet ingesteld. De door u ingestelde naam zal na een systeem reset verdwijnen.
- De radio ondersteunt een naam tot maximaal 16 karakters.

GARANTIE

U heeft op dit product 2 jaar beperkte garantie.

WAARSCHUWING ! De garantie vervalt zodra de behuizing van de radio is geopend of wanneer er veranderingen aan de radio zijn gemaakt !

De garantievoorwaarden van deze radio bieden geen dekking voor het volgende:

- Schade veroorzaakt door verkeerd gebruik, misbruik, verwaarlozing, wijzigingen, ongelukken of niet-goedgekeurde reparaties.
- Normale slijtage.
- Het breken of buigen van de metalen telescopische antenne.

TECHNISCHE GEGEVENS

Stroombron	Gebruik op netstroom	AC 230V, 50Hz, wisselstroom
	Gebruik op batterijen	6 x 1.5V (type IEC R14 / UM-2 / formaat C)
Frequentiebereik	DAB+/DAB band	174.928 – 239.200 MHz
	FM band	87.5 – 108 MHz
Specificaties	Luidspreker	1 x Ø4 inch
	Uitgangsvermogen	1 x 7.5W
	Aux in ingang	Ø3.5 mm
Bluetooth	Versie 3.0 Ondersteunt Bluetooth profielen A2DP, AVRCP en HFP	

Opmerking over milieubescherming:



Dit product werd van kwalitatief hoogwaardige onderdelen en materialen vervaardigd die opnieuw gebruikt en gerecycled kunnen worden. Verwijder dit product daarom aan het eind van zijn leven niet met het normale huisvuil. Breng het naar een verzamelplaats voor het recyclen van elektronische en elektrische apparaten. Hierop wordt door dit symbool op het product, in de gebruikershandleiding en op de verpakking gewezen.

Informeer u over verzamelplaatsen bij de gemeentelijke instanties. Help door het recyclen van niet meer te gebruiken producten mee aan de bescherming van het milieu



INHALT

WICHTIGE SICHERHEITSHINWEISE	2
BEDIENELEMENTE	3
NETZBETRIEB	5
Batteriebetrieb.....	5
INBETRIEBNAHME DES RADIOS.....	6
Extra Teleskopantenne aus Metall	6
DAB-MODUS	6
Die Bedienung des Radio – DAB	6
Senderauswahl – DAB	7
Zusätzliche Dienste – DAB	7
Anzeigemodi – DAB	7
Suche neuer Sender – DAB	8
Manuelle Sendersuche – DAB	8
Dynamikbereichsteuerung (DRC) – DAB	8
Sender deaktivieren – DAB	9
UKW-MODUS	9
Die Bedienung des Radio - UKW-Sender suchen.....	9
Manuelle Sendersuche – UKW	10
RDS-Dienste	10
Suchempfindlichkeit – UKW	11
SENDER-SPEICHER	11
Speichern von Sendern	11
Aufrufen gespeicherter Sender	11
BLUETOOTH-MODUS	12
Koppeln von Bluetooth mit Ihrem Mobiltelefon	12
Wiedergabe von Musik auf Ihrem Mobiltelefon	12
Display-Modi – Bluetooth	12
Geräteliste – Mit dem gekoppelten Gerät verbinden	13
Neustart der Bluetooth-Kopplung	13
AUX-MODUS	14
EINSTELLEN DER UHRZEIT	15
LOUDNESS	16
SPRACHEINSTELLUNGEN	16
SOFTWARE-VERSION	16
SYSTEMRESET	17
TON.....	17
ATP PASSWORT	18
HINTERGRUNDBELEUCHTUNG	18
RADIONAMENOPTION	19
GARANTIE	20
TECHNISCHE DATEN	20

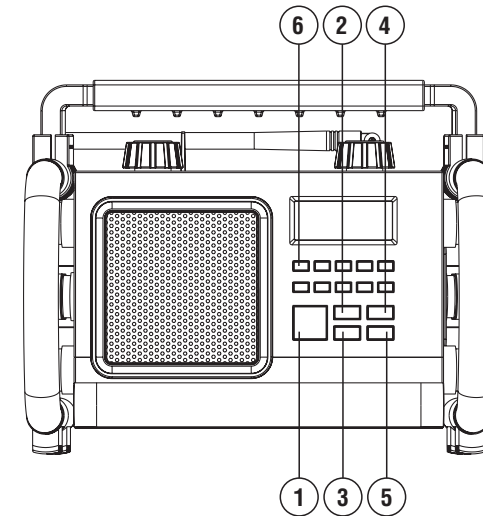
WICHTIGE SICHERHEITSHINWEISE

1. Lesen Sie diese Hinweise.
2. Bewahren Sie diese Hinweise auf.
3. Beachten Sie alle Warnungen.
4. Befolgen Sie alle Anweisungen..
5. Reinigen Sie es nur mit einem trockenen Tuch.
6. Blockieren Sie keine der Belüftungsöffnungen. Stellen Sie es gemäß der Anweisungen auf.
7. Stellen Sie es nicht in der Nähe von Wärmequellen wie Heizkörpern, Lüftungsclappen, Öfen oder anderen Geräten (einschließlich Verstärkern) auf, die Wärme abgeben.
8. Beschädigen Sie nicht den aus Sicherheitsgründen gepolten oder geerdeten Stecker. Ein gepolter Stecker besitzt zwei Kontakte, einer breiter als der andere. Ein geerdeter Stecker besitzt zwei Kontakte und einen dritten Erdungsstift. Der breite Kontakt oder der dritte Stift dienen Ihrer Sicherheit. Wenn der mitgelieferte Stecker nicht in Ihre Steckdose paßt, so wenden Sie sich bitte zum Austausch der veralteten Steckdose an einen Elektriker.
9. Schützen Sie das Stromkabel, damit hierauf nicht gelaufen oder es insbesondere am Stecker, an der Steckdose oder an der Stelle, wo es aus dem Gerät austritt, nicht geknickt wird.
10. Verwenden Sie ausschließlich vom Hersteller angegebene Anbauteile/Zubehör.
11. Verwenden Sie es ausschließlich mit der/dem vom Hersteller angegebenen oder mit dem Gerät verkauften Wagen, Ständer, Dreibein, Klammer oder Tisch. Wenn ein Wagen verwendet wird, so lassen Sie Vorsicht walten beim Bewegen der Kombination aus Wagen und Gerät, um Verletzungen durch Kippen zu vermeiden.
12. Trennen Sie das Gerät bei Gewitter oder wenn es über einen längeren Zeitraum nicht verwendet wird vom Netz.
13. Überlassen Sie jegliche Wartung qualifiziertem Wartungspersonal. Eine Wartung ist erforderlich, wenn das Gerät am Stromkabel oder Stecker beschädigt wurde, wenn Flüssigkeit verschüttet wurde oder Gegenstände ins Gerät gefallen sind, wenn das Gerät Regen oder Feuchtigkeit ausgesetzt war, nicht normal funktioniert oder fallengelassen wurde.
14. Setzen Sie das Gerät weder Regen noch Feuchtigkeit aus, um die Brandgefahr oder das Risiko einen elektrischen Schlages zu reduzieren.
15. Entfernen Sie nicht die Abdeckung. Im Innenbereich befinden sich keine Teile, die durch den Nutzer zu warten wären.
16. Es dürfen keine offene Feuerquellen auf dem Apparat abgestellt werden.
17. Verwenden Sie bei der Benutzung im Freien an Regentagen oder bei feuchtem Wetter zur Vermeidung eines elektrischen Schlages ausschließlich Batterien. Wenn das Radio Regen oder Feuchtigkeit ausgesetzt war, so müssen Anschlusskabel und Stecker zur Vermeidung eines elektrischen Schlages vollständig getrocknet werden, bevor dieses mit einer Steckdose verbunden wird.
18. Der Netzstecker sollte nahe am Gerät und leicht zugänglich sein, damit im Notfall zur Trennung vom Netz lediglich der Netzstecker aus der Steckdose gezogen werden muss.
19. Das Typenschild befindet sich an der Unterseite des Gerätes.
20. Dieses Apparat ist gegen Spritzwasser geschützt (IP65).
21. Falls das Gerät aufgrund elektrostatischer Entladung oder schneller Stoßspannung nicht mehr richtig funktioniert, ziehen Sie den Netzstecker und schließen das Gerät dann erneut an.
22. Um mögliche Gehörschäden zu vermeiden, setzen Sie sich nicht über längere Zeiträume hohen.



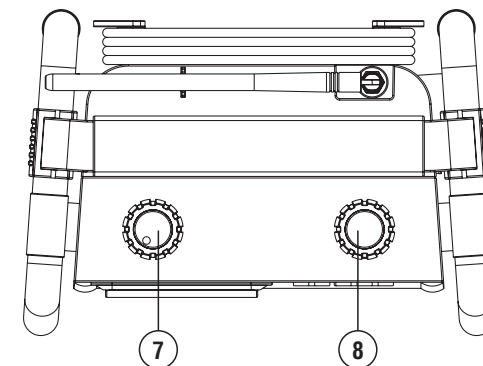
VORSICHT
STROMSCHLAGGEFAHR
NICHT ÖFFNEN

Vorderansicht



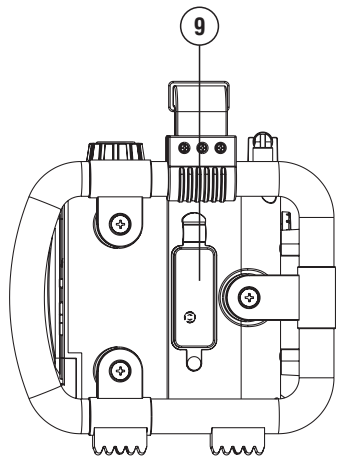
1. Ein/Aus (Bereitschaft)
2. Eingangssignal
3. Menü
4. Loudness
5. Info
6. Sendertasten 1 - 10

Oberseitenansicht



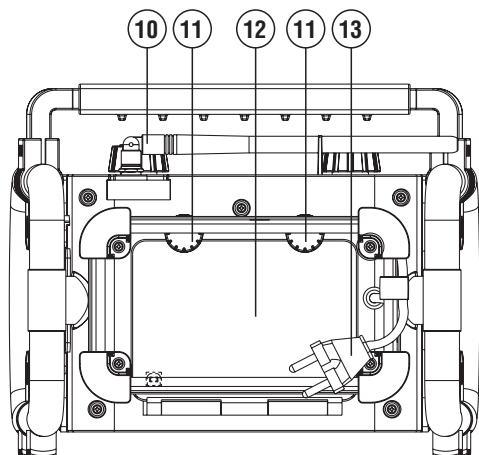
7. Lautstärkeregler / Ton
8. Frequenz / Sendersuche / Uhrzeiteinstellung

Seitenansicht



9. Aux-Eingang

Rückseitenansicht



- 10. Gummiantenne
- 11. Batteriefachhalter
- 12. Batteriefach für Batterien
- 13. Netzkabel
- 14. USB-Buchse

Netzbetrieb

Bevor Sie das Netzkabel an einer Steckdose anschließen, vergewissern Sie sich bitte, dass die Netzspannung korrekt ist. Wenn sich im Radio Batterien befinden, wird der Batteriebetrieb bei Netzanschluss automatisch deaktiviert.

Die Kabelhalterung ist dazu gedacht das Netzkabel aufzubewahren, wenn das Radio nicht benutzt wird.

Hinweis: Um das Gerät vom Stromnetz zu trennen, muss der Netzstecker aus der Steckdose vollständig heraus gezogen werden.

Batteriebetrieb

1. Zum Einlegen der Batterien öffnen Sie zunächst das Batteriefach, indem Sie die Halterung entgegen dem Uhrzeigersinn drehen.
2. Legen Sie 6 Batterien der Größe C (UM-2) mit der richtigen Polarität in das Batteriefach ein. Schließen Sie das Batteriefach und drehen Sie die Halterung im Uhrzeigersinn fest. Schließen Sie das Batteriefach fest zu, um zu verhindern, dass Staub oder Feuchtigkeit hinein gelangen können.
3. Wenn das Radio für längere Zeit nicht benutzt wird, wird empfohlen die Batterien aus dem Radio zu entfernen.

Der ungefähre Ladezustand der Batterien wird in der LCD-Anzeige des Radios angezeigt. Wenn der Batteriestand sehr niedrig ist, erscheint die Anzeige "Battery Low!" und das Batteriesymbol fängt an zu blinken. Die Batterien sollten dann so bald wie möglich ausgetauscht werden, um einen normalen Betrieb des Radios zu gewährleisten.

Hinweis:

Bei falsch eingelegten Batterien besteht Explosionsgefahr! Benutzen Sie nur Batterien des gleichen Typs.

Die Batterien dürfen niemals starker Hitze, wie z. B. starkem Sonnenlicht, Feuer o. Ä., ausgesetzt werden. Die Batterien dürfen nicht durch Verbrennen oder über den Hausmüll entsorgt werden. Einwegbatterien müssen bei ausgewiesenen Sammelstellen abgegeben werden.

D

INBETRIEBNAHME DES RADIOS

1. Stellen Sie das Radio auf eine flache Unterlage.
2. Ziehen vorsichtig die Antenne auf der Oberseite des Radios heraus. Richten Sie die Antenne so aus, dass sie vertikal über dem Radio steht.
3. Stecken Sie den Netzstecker in eine Steckdose. In der Anzeige erscheint für ein paar Sekunden "Welcome to Digital Radio". Dann führt das Radio automatisch eine Sendersuche durch das DAB-Band III DAB-Kanäle und das UKW-Band. In der Anzeige erscheint dabei "ATS setting".
4. Wenn die Suche abgeschlossen ist, werden die 10 stärksten UKW-Sender gespeichert. Das Radio geht in den Bereitschaftsbetrieb und wechselt zur Anzeige der aktualisierten Uhrzeit und des Datums.
5. Wenn kein Signal gefunden werden kann, wird die Uhrzeit nicht aktualisiert. Unter Umständen müssen Sie das Radio an einer anderen Position aufstellen, um einen besseren Empfang zu erhalten.

Extra Teleskopantenne aus Metall

Sie können diese Antenne als alternative Antenne für Ihr Rundfunkgerät benutzen in Gegenden oder an Standorten, an denen das Rundfunksignal (UKW/DAB/DAB+) schwach bis sehr schwach ist.

Achtung: Im Gegensatz zur serienmäßig angebrachten Antenne ist diese nicht flexibel.

Aufstellung: Schrauben Sie die serienmäßige, flexible Antenne ab. Diese zuerst **vorsichtig** mit einem Steckschlüssel **lösen** (Größe 14) – Drehrichtung "gegen den Uhrzeigersinn". Schrauben Sie die Teleskopantenne aus Metall vorsichtig auf das Gerät und drehen Sie **sie behutsam fest** mit einem Steckschlüssel (Größe 14) – Drehrichtung "im Uhrzeigersinn".

ACHTUNG: Die Antennen nicht zu stark festdrehen mit dem Steckschlüssel, um zu verhindern, dass das Gewinde der Antennen abbricht.

DAB-MODUS

Die Bedienung des Radio - DAB

1. Ziehen Sie vorsichtig die Antenne heraus. Betätigen Sie die **ON/OFF-Taste** zum Einschalten des Geräts.
2. Wenn dies das erste Mal ist, dass Sie das Radio einschalten, dann geht es automatisch in den DAB-Modus.
3. Der erste Sender (in alphanumerischer Reihenfolge, 0...9, A...Z) in der Liste der gefundenen Sender wird dann wiedergegeben. In der Anzeige erscheint der Name des Senders.
Wenn Sie das Radio in der Vergangenheit bereits benutzt haben, geht das Gerät auf den zuletzt benutzten Sender.
4. Wenn keine Signale erkannt werden, erscheint "No stations available" in der Anzeige. Unter Umständen müssen Sie das Radio an einer anderen Position aufstellen, um einen besseren Empfang zu erhalten.
Sie sollten dann erneut eine automatische Sendersuche durchführen. Lesen Sie dazu bitte den Abschnitt "Suche neuer Sender – DAB".

Senderauswahl – DAB

1. Betätigen Sie die **ON/OFF-Taste** zum Einschalten des Geräts. In der Anzeige erscheint für ein paar Sekunden "Tuning".
2. In der Anzeige wird der Name des aktuellen Senders angezeigt.
3. Benutzen Sie den **Frequenzdrehknopf**, um in der Senderliste einen anderen Sender zu wählen.
4. Wenn der gewünschte Sendername in der Anzeige erscheint, drücken Sie auf den **Frequenzdrehknopf**, um den Sender zu wählen. In der Anzeige erscheint während der Suche "Now tuning".

Hinweis: Wenn nach der Auswahl des Senders "Service not available" in der Anzeige steht, ist es eventuell notwendig das Radio an einem anderen Ort aufzustellen, um einen besseren Empfang zu ermöglichen.

Zusätzliche Dienste – DAB

1. Bestimmte Radiosender stellen einen oder mehrere zusätzliche Dienste zur Verfügung. Wenn ein Sender über zusätzliche Dienste verfügt, erscheint der sekundäre Dienst sofort nach dem primären, wenn Sie am **Frequenzdrehknopf** drehen.
2. Drücken Sie auf den **Frequenzdrehknopf**, um den sekundären Dienst auszuwählen. Die meisten zusätzlichen Dienste werden nicht permanent ausgestrahlt. Wenn der gewählte Dienst nicht verfügbar ist, wird der Radiosender neu eingestellt, um auf den entsprechenden Hauptdienst zuzugreifen.

Anzeigemodi – DAB

Im DAB-Modus kann das Radio verschiedene Informationen anzeigen.

1. Betätigen Sie die **INFO-Taste**, um eine von verschiedenen Anzeigevarianten zu wählen.
 - a. Scrolltext Zeigt verschiedene Informationen als Lauftext an, wie z. B. Interpret/Titel, Telefonnummer, etc.
 - b. Signalstärke Zeigt die Signalstärke des Radiosenders an. Das unausgefüllte Rechteck gibt die minimale Signalstärke an, die für einen zufriedenstellenden Empfang nötig ist.
 - c. Programmart Zeigt die Art des aktuellen Senders an (z. B. Pop, Klassik, Nachrichten, etc.).
 - d. Multiplexname Zeigt den Multiplexnamen an, zu dem der Sender gehört.
 - e. Kanal und Frequenz Zeigt die Frequenz und Kanalnummer des aktuellen DAB-Radiosenders an.
 - f. Bitrate & Audioformat Zeigt die digitale Audiobitrate an.
 - g. Zeit und Datum Zeigt die aktuelle Uhrzeit (24-Stundenanzeige) und das Datum an.

Suche neuer Sender – DAB

Mit der Zeit stehen immer mehr Sender zur Verfügung. Gehen Sie auf die folgende Weise vor, um neue Sender hinzuzufügen: -

1. Betätigen Sie die **MENU-Taste** und "Full Scan" erscheint in der Anzeige.
2. Drücken Sie auf den **Frequenzdrehknopf** und das Radio durchsucht das DAB-Band III nach neuen Sendern.
Wenn neue Sender gefunden werden, wird die Anzahl der gefundenen Sender auf der rechten Seite angezeigt und die Sender werden in die Senderliste eingefügt.

Manuelle Sendersuche – DAB

Durch die manuelle Suche können Sie direkt auf bestimmte Kanäle des DAB-Bands III zugreifen.

1. Betätigen Sie die **MENU-Taste** und "Full Scan" erscheint in der Anzeige.
2. Drehen Sie am **Frequenzdrehknopf**, bis "Manual Tune" in der Anzeige erscheint. Drücken Sie auf den **Frequenzdrehknopf**.
3. Drehen Sie am **Frequenzdrehknopf**, um den gewünschten DAB-Kanal zu wählen. Drücken Sie auf den **Frequenzdrehknopf**, um die gewählte Frequenz einzustellen.
4. Die minimale Signalstärke, die für einen guten DAB-Empfang benötigt wird, wird durch einen offenen Balken angezeigt. Die Signalbalken geht nach oben oder unten und zeigt damit die Veränderung der Signalstärke, wenn Sie die Antenne neu ausrichten oder das Radio an einen anderen Ort stellen.
5. Wenn ein DAB-Signal gefunden wird, erscheint der Name des DAB-Senders in der Anzeige. Jeder neu gefundene Sender wird der Senderliste des Radios hinzugefügt.
6. Drücken Sie den **Frequenzdrehknopf**, um zum normalen DAB-Dienst zurückzukehren.

Dynamikbereichsteuerung (DRC) – DAB

Dynamikbereichsteuerung (DRC) ermöglicht es leise Geräusche leichter zu hören, wenn das Radio in einer lärmigen Umgebung benutzt wird.

1. Betätigen Sie im DAB-Modus die **MENU-Taste** und in der Anzeige erscheint "Full Scan".
2. Drehen Sie dann am **Frequenzdrehknopf**, bis in der Anzeige "DRC Value" erscheint. Drücken Sie auf den **Frequenzdrehknopf**.
3. Drehen Sie dann am **Frequenzdrehknopf** zur Auswahl des gewünschten DRC-Werts (Standardeinstellung ist OFF).

DRC Off	Die DRC-Funktion ist ausgeschaltet. Empfangene DRC-Signale werden ignoriert.
DRK 1/2	Der DRC-Pegel wird auf die Hälfte der Senderangaben gestellt.
DRC 1	Der DRC-Wert wird auf den vom Sender vorgegebenen Wert gestellt.

4. Betätigen Sie den **Frequenzdrehknopf** zur Bestätigung Ihrer Einstellung. Das Gerät geht zurück zur normalen Radioanzeige.

Hinweis: Nicht alle DAB-Sender nutzen die DRC-Funktion. Wenn die Sendung die DRC-Funktion nicht unterstützt, hat die DRC-Einstellung des Radios keinen Effekt.

Sender deaktivieren - DAB

Wenn Sie in einen anderen Teil Ihres Landes ziehen, kann es passieren, dass einige der Sender in der Senderliste nicht mehr verfügbar sind. Unter Umständen können DAB-Sender auch geschlossen werden oder Standort bzw. Frequenz ändern. Mit dieser Funktion können Sie DAB-Sender aus der Senderliste löschen.

1. Betätigen Sie im DAB-Modus die **MENU-Taste** und in der Anzeige erscheint "Full Scan".
2. Drehen Sie am **Frequenzdrehknopf**, bis in der Anzeige "Prune" erscheint.
3. Drücken Sie auf den **Frequenzdrehknopf**, um das Einstellungs Menü aufzurufen.
4. Drehen Sie am **Frequenzdrehknopf**, um zwischen "Yes" oder "No" (Standardauswahl ist "No") zu wechseln.
Wählen Sie "Yes", um diese Funktion bei Bedarf zu aktivieren, andernfalls wählen Sie "No".
5. Drücken Sie auf den **Frequenzdrehknopf**, um Ihre Einstellung zu bestätigen. Das Gerät geht zurück zur normalen Radioanzeige.

Hinweis: Wenn Sie das Radio an einen neuen Standort in einem anderen Teil des Landes bewegt haben, sollten Sie nach Möglichkeit eine Sendersuche durchführen (siehe Abschnitt "Suche neuer Sender - DAB").

UKW-MODUS

Die Bedienung des Radio - UKW-Sender suchen

1. Betätigen Sie die **ON/OFF-Taste** zum Einschalten des Radios.
2. Wählen das UKW-Frequenzband durch Betätigung der **SOURCE-Taste**.
3. Wenn Sie das erste Mal in den UKW-Modus wechseln, wird der Senderspeicher 1 aufgerufen.
Wenn das Radio zuvor bereits benutzt wurde, wird der zuletzt gehörte Sender aufgerufen.
4. Zum Suchen eines Senders, drücken Sie auf den **Frequenzdrehknopf**. Der Suchlauf stoppt automatisch, wenn ein Sender mit ausreichender Stärke gefunden wird.
5. Nach ein paar Sekunden wird die Anzeige aktualisiert und der Sendername wird angezeigt, wenn RDS-Informationen empfangen werden können.
6. Wenn Sie weitere Sender finden wollen, drücken Sie einfach erneut auf den **Frequenzdrehknopf**.
7. Zur Sendersuche in die entgegengesetzte Richtung drehen Sie am **Frequenzdrehknopf** im Uhrzeigersinn (von niedrigen Frequenzen zu hohen Frequenzen) oder entgegen dem Uhrzeigersinn (von hohen Frequenzen zu niedrigen Frequenzen) und drücken Sie dann auf den **Frequenzdrehknopf**.
8. Wenn das Ende des jeweiligen Frequenzbands erreicht ist, fährt das Radio mit der gegenüberliegenden Seite des Frequenzbands fort.

Manuelle Sendersuche – UKW

1. Betätigen Sie die **ON/OFF-Taste** zum Einschalten des Radios.
2. Wählen das UKW-Frequenzband durch Betätigung der **SOURCE-Taste**.
3. Drehen Sie am **Frequenzdrehknopf**, um die gewünschte UKW-Radiofrequenz einzustellen.
Die Frequenz wird in 50-kHz-Schritten eingestellt.
4. Richten Sie die Gummiantenne für den bestmöglichen Empfang aus. Wenn das Radio auf einen Sender mit ausreichender Signalstärke und RDS-Informationen eingestellt ist, kann der Sendername in der Anzeige angezeigt werden.
5. Wenn das Ende des jeweiligen Frequenzbands erreicht ist, fährt das Radio mit der gegenüberliegenden Seite des Frequenzbands fort.

RDS-Dienste

RDS (Radio Data System) ist ein Informationssystem, bei dem unhörbare digitale Informationen zusätzlich mit dem normalen UKW-Radioprogramm gesendet werden. Wenn das Radio einen RDS-Sender empfängt und die Empfangsstärke ausreicht, erscheint der Name des Senders in der Anzeige. Es kann einige Zeit dauern, bevor die RDS-Informationen zur Verfügung stehen.

Abrufen von RDS-Informationen

1. Wenn Sie einen UKW-Sender mit RDS-Diensten hören, betätigen Sie wiederholt die **Info-Taste**, um die verschiedenen Informationen anzuzeigen. Diese Funktion ist nur bei guten Empfangssignalen verfügbar.
 - a. Radiotext (RT) Zeigt Nachricht des aktuellen Senders als Laufschrift an.
 - b. Programmtyp (PTY) Zeigt die Art des aktuellen Senders an (z. B. Pop, Klassik, Nachrichten, etc.).
 - c. Frequenz Zeigt die Frequenz des aktuellen Senders an.
 - d. Audiotyp Zeigt den Audiotyp des aktuellen Senders an.
 - e. Zeit und Datum Zeigt die aktuelle Uhrzeit (24-Stundenanzeige) und das Datum an.

Suchempfindlichkeit - UKW

Das Radio sucht normalerweise nach alle UKW-Sendern, einschließlich denen mit schwächeren Signalen. In bestimmten Fällen ist es allerdings sinnvoll nur nach Sendern zu suchen, die über genügend starke Signale verfügen, damit ein guter Empfang gewährleistet werden kann.

1. Betätigen Sie die **ON/OFF-Taste** zum Einschalten des Radios.
2. Wählen das UKW-Frequenzband durch Betätigung der **SOURCE-Taste**.
3. Betätigen Sie die **MENU-Taste** und "Scan setting" erscheint in der Anzeige.
4. Drücken Sie auf den Frequenzdrehknopf.
5. Drehen Sie am **Frequenzdrehknopf**, um zwischen den Optionen "All stations" und "Strong station" zu wechseln (Standardeinstellung ist All stations).
Mit der "Strong station"-Option sucht das Radio nur nach starken Signalen.
6. Drücken Sie auf den **Frequenzdrehknopf**, um Ihre Einstellung zu bestätigen. Das Gerät geht zurück zur normalen Radioanzeige.

SENDERSPEICHER

Speichern von Sendern

Es stehen 10 Speicherplätze zur Verfügung, 10 für DAB und 10 für UKW. Die gespeicherten Sender bleiben im Speicher des Radios erhalten, selbst wenn die Stromversorgung ausfällt.

1. Betätigen Sie die **ON/OFF-Taste** zum Einschalten des Radios.
2. Betätigen Sie die **SOURCE-Taste** zur Auswahl des gewünschten Frequenzbands.
3. Stellen Sie den gewünschten Sender ein.
4. Halten Sie die gewünschte **Speicher-Taste** gedrückt, bis ein Signalton zu hören ist und in der Anzeige zum Beispiel, "Preset 01 Saved" erscheint.
5. Wiederholen Sie die Schritte 3 und 4 für die übrigen Senderspeicher.
6. Wenn Sie eine Speichertaste neu konfigurieren, können vorher gespeicherte Sender überschrieben werden.

Aufrufen gespeicherter Sender

1. Betätigen Sie die **ON/OFF-Taste** zum Einschalten des Radios.
2. Betätigen Sie die **SOURCE-Taste** zur Auswahl des gewünschten Frequenzbands.
3. Betätigen Sie die gewünschte **Speicher-Taste** und in der Anzeige erscheint z. B. "Preset 01 Loaded" für ein paar Sekunden und die Radiofrequenz des Senders wird angezeigt.

BLUETOOTH-MODUS

Koppeln von Bluetooth mit Ihrem Mobiltelefon

1. Drücken Sie der **ON/OFF-Taste**, um das Radio einzuschalten.
2. Wählen Sie den Bluetooth-Modus aus, indem Sie die **Source Taste** drücken.
3. Auf dem LCD-Display wird „Nicht verbunden“ angezeigt, wenn das Radio noch nicht mit Ihrem Mobiltelefon gekoppelt ist.
4. Öffnen Sie bei Ihrem Mobiltelefon das Einstellungs Menü und wählen Sie Bluetooth aus. Wählen Sie anschließend in der Liste der Bluetooth-Geräte Ihres Mobiltelefons „**PP RockBox 2**“ aus (die Anleitung zur Bluetooth-Kopplung kann sich je nach Mobiltelefon unterscheiden; lesen Sie in der Bedienungsanleitung Ihres Mobiltelefons nach).
5. Nach erfolgreicher Bluetooth-Kopplung wird etwa 2 Sekunden lang in der ersten Zeile des LCD-Displays „BT verbunden“ angezeigt und in der zweiten Zeile der Name Ihres Mobiltelefons.
6. Schließlich wird zur Angabe des mit dem Radio verbundenen Geräts in der ersten Zeile des LCD-Displays der Name des verbundenen Mobiltelefons angezeigt.

Wiedergabe von Musik auf Ihrem Mobiltelefon

1. Drücken Sie die Ein/Ausschalttaste, um das Radio einzuschalten.
2. Wählen Sie den Bluetooth-Modus aus, indem Sie die **Source Taste** drücken.
3. Starten Sie die Musikwiedergabe über die Mediaplayer des gekoppelten Mobiltelefons.
4. Sie können die Wiedergabe direkt am Handy oder mit den Tasten **▶||**, **▶▶|** und **|◀◀** (Speichertasten 3, 4 und 5) am Radio steuern.
5. Nachdem die Musikwiedergabe gestartet wurde, wird der Titel des Liedes auf dem LCD-Display angezeigt.

Display-Modi – Bluetooth

Im Bluetooth-Modus kann das Radio auf dem Display Informationen zur gerade wiedergegebenen Musik anzeigen. Drücken Sie die Taste INFO, um die verschiedenen Typen anzuzeigen.

- | | |
|----------------------------|---|
| a. Title (Titel) | Zeigt den Titel des gerade abgespielten Musikstücks über das Display laufend an. |
| b. Artist (Interpret) | Zeigt den Namen des Interpreten des gerade abgespielten Musikstücks an. |
| c. Album | Zeigt den Namen des Albums des gerade abgespielten Musikstücks an. |
| d. Status | Zeigt den Wiedergabestatus an. Z. B. „Playing“ („Wird abgespielt“), „Stopped“ („Angehalten“). |
| e. Music Info (Musik-Info) | Zeigt das Musikformat und die Samplingrate des gerade abgespielten Musikstücks an. Z. B. „AAC“ ist das Format des Musikstücks; „44100 Hz“ ist die Samplingfrequenz des Musikstücks. |
| f. Uhrzeit und Datum | Zeigt die aktuelle Uhrzeit und das aktuelle Datum an. |

Geräteliste – Mit dem gekoppelten Gerät verbinden

Am Radio können Sie das Bluetooth-Gerät aus der Geräteliste auswählen, um die Verbindung erneut herzustellen.

Die Gerätenamen werden angezeigt, wenn der Name der Bluetooth-Geräte in den Mobilgeräten konfiguriert wurde. Zu den Konfigurationen siehe die Bedienungsanleitung Ihres Mobilgeräts.

Die Geräteliste kann wie folgt überprüft werden:

1. Drücken Sie im Bluetooth-Modus die **Menu Taste**, um auf die Systemeinstellungen zuzugreifen.
2. Drehen Sie **Frequenzdrehknopf**, bis die Geräteliste angezeigt wird; drücken Sie **Frequenzdrehknopf**, um die Einstellung auszuwählen.
3. Drehen Sie **Frequenzdrehknopf**, um den Namen der Geräte anzuzeigen.
4. Drücken Sie **Frequenzdrehknopf**, um die Wiederherstellung der Bluetooth-Verbindung zu starten. Der Lautsprecher wird automatisch mit diesem ausgewählten Mobilgerät verbunden.

Hinweis: In der Geräteliste können bis zu 8 Gerätenamen gespeichert werden. Wenn Sie mehr als 8 Mobilgeräte in der Geräteliste speichern, wird der Name des zuerst gekoppelten Geräts gelöscht.

Hinweis: Wenn Sie „**PP RockBox 2**“ auf Ihrem Mobiltelefon gelöscht haben, ist die automatische Neuverbindung erfolglos.

Neustart der Bluetooth-Kopplung

Die Bluetooth-Funktion kann für verschiedene Funktionsweisen eingestellt werden, siehe unten:

1. Drücken Sie im Bluetooth-Modus die **Menu Taste**, um auf die Systemeinstellungen zuzugreifen.
2. Drehen Sie **Frequenzdrehknopf**, um die Option „Disconnect BT“- („BT trennen“) auszuwählen, und drücken Sie dann **Frequenzdrehknopf**, um die Einstellung auszuwählen.
3. Das LCD-Display zeigt jetzt einige Sekunden lang „Please wait“ („Bitte warten“) an, um die aktuelle Verbindung mit dem Mobiltelefon zu trennen.
4. Das LCD-Display zeigt „Not connected“ („Nicht verbunden“) an und das Bluetooth des Radios ist für die Verbindung mit einem anderen Mobiltelefon bereit, da es jetzt im Erkennungsmodus ist.

Hinweis: „Disconnect BT“ („BT trennen“) ist die Option, die das Bluetooth dieses Radios von Ihrem Mobiltelefon trennt und den „Erkennungsmodus“ aktiviert. Dadurch wird die Bluetooth-Kopplung mit einem anderen Gerät ermöglicht. Wenn kein anderes Gerät gekoppelt wird, versucht die Bluetooth-Funktion automatisch, die Verbindung zum letzten Gerät wiederherzustellen, wenn sie aus- und dann wieder eingeschaltet wird.

Die automatische Energiesparfunktion wird im Bluetooth-Modus aktiviert. Wird über 15 Minuten lang kein Signal* empfangen, wechselt das Radio automatisch in den Standby-Modus. Durch Drücken der **ON/OFF-Taste** wird das Gerät wieder aktiviert.

*Auch dann, wenn das eingehende Signal vom externen Gerät zu schwach ist und über 15 Minuten lang von der automatischen Energiesparfunktion nicht erkannt werden kann, schaltet das Radio in den Standby-Modus. Erhöhen Sie, um dies zu verhindern, den Ausgangspegel des externen Geräts so weit, dass das Signal erkannt werden kann.

AUX-MODUS

Hinter der Gummiabdeckung befindet sich ein **3,5-mm-Stereo-Aux-Eingang** zum Anschluss eines externen Audiogeräts, wie z. B. einem MP3-Player oder CD-Player (nicht im Lieferumfang des Radios enthalten).

1. Schließen Sie ein Stereo- oder Mono-Audiosignal an den **Aux-Eingang** an.
2. Betätigen Sie die **Source-Taste** zur Auswahl des AUX-Modus. In der Anzeige erscheint AUX IN.
3. Starten Sie die Wiedergabe auf dem externen Audiogerät.
4. Stellen Sie sowohl die Lautstärke des Radios als auch des externen Geräts auf ein komfortables Niveau.
5. Schließen Sie nach der Benutzung die Gummiabdeckung, um zu verhindern, dass Feuchtigkeit oder Staub in die Anschlüsse und das Radio gelangen.

Hinweise: Verwenden Sie niemals den AUX-IN-Anschluss bei regnerischen oder feuchten Bedingungen, um zu verhindern, dass Feuchtigkeit in das Radio eindringt! Halten Sie die Gummiabdeckung unter diesen Bedingungen geschlossen.

Die automatische Stromverwaltung wird im AUX-Modus aktiviert. Liegt am AUX-Eingang länger als 15 Minuten kein Eingangssignal an, so schaltet sich das Gerät automatisch in den Stand-by-Modus. Statusanzeige und LCD-Display erlöschen. Mit Tastendruck auf On/Standby schalten Sie das Gerät wieder ein.

EINSTELLEN DER UHRZEIT

Die Uhrzeit kann nur eingestellt werden, wenn das Radio sich im Bereitschaftsmodus befindet. Wenn für 5 Sekunden keine Taste betätigt wird, verlässt das Radio den Uhrzeiteinstellungsmodus und die Einstellungen werden aufgehoben.

1. Halten Sie die **Time Set-Knopf** für ca. 2 Sekunden gedrückt, bis die Stundenziffern in der Anzeige aufblinken.
2. Drehen Sie am **Time Set-Knopf**, um die Stunden einzustellen.
3. Betätigen Sie den **Time Set-Knopf** zur Bestätigung und die Minutenziffern beginnen zu blinken.
4. Drehen Sie am **Time Set-Knopf**, um die Minuten einzustellen.
5. Betätigen Sie den **Time Set-Knopf** zur Bestätigung und die Taganzeige fängt in der Anzeige an zu blinken.
6. Drehen Sie am **Time Set-Knopf**, um den aktuellen Tag einzustellen.
7. Betätigen Sie den **Time Set-Knopf** zur Bestätigung und der Monat fängt an zu blinken.
8. Drehen Sie am **Time Set-Knopf**, um den aktuellen Monat einzustellen.
9. Betätigen Sie den **Time Set-Knopf** zur Bestätigung und das Jahr erscheint in der Anzeige.
10. Drehen Sie am **Time Set-Knopf**, um das aktuelle Jahr einzustellen.
11. Betätigen Sie den **Time Set-Knopf** zur Bestätigung und "SyncLock ON" fängt an zu blinken.
12. Drehen Sie am **Time Set-Knopf**, um auf "SYNCLOCK ON" oder "SYNCLOCK OFF" zu wählen.
13. Betätigen Sie den **Time Set-Knopf** zur Bestätigung und beenden Sie damit die Einstellung der Uhrzeit.

RDS-Zeitsynchronisation

Wenn "SYNCLOCK ON" gewählt wird, erscheint das Symbol "⌚" in der Anzeige. Manche RDS-Sender übertragen ein Zeitsignal. Wenn ein guter Empfang vorhanden ist und Sie die Option "SYNCLOCK ON" während der Zeiteinstellung gewählt haben, wird die Zeit automatisch aktualisiert ("⌚" blinkt in der Anzeige). Die Zeitsynchronisation kann einige Minuten dauern. Die automatische Zeiteinstellung wird immer dann aktiviert, wenn das Radio vom Bereitschaftsmodus in den Radiomodus geschaltet wird und ein RDS-Sender empfangen wird.

LOUDNESS

Die Loudness-Funktion ermöglicht einen Ausgleich der Hoch- und Tieftöne. Der Effekt ist umso deutlicher, je niedriger die eingestellte Lautstärke ist (Dynamic Loudness).

1. Betätigen Sie die **Loudness-Taste**, um die Loudness-Funktion zu aktivieren. In der Anzeige erscheint dann "Loudness".
2. Betätigen Sie die **Loudness-Taste** erneut, um die Funktion wieder zu deaktivieren. In der Anzeige erscheint dann entsprechend "Loudness Off".

SPRACHEINSTELLUNGEN

Das Radio kann auf andere Sprachen gestellt werden werden.

1. Betätigen Sie die **ON/OFF-Taste** zum Einschalten des Radios.
2. Betätigen Sie die **MENU-Taste** und drehen Sie dann am **Frequenzdrehknopf**, bis "System" in der Anzeige erscheint.
3. Drücken Sie auf den **Frequenzdrehknopf** und drehen Sie dann am **Frequenzdrehknopf**, bis "Language" in der Anzeige erscheint.
4. Drücken Sie auf den **Frequenzdrehknopf**, um in das Spracheinstellungsmenü zu gelangen.
5. Drehen Sie am **Frequenzdrehknopf**, bis die gewünschte Sprache in der Anzeige erscheint (Standardeinstellung ist English).
6. Drücken Sie auf den **Frequenzdrehknopf**, um Ihre Auswahl zu bestätigen. Die Anzeige wird dann auf die gewählte Sprache eingestellt.

SOFTWARE-VERSION

Die Software-Version kann nicht verändert werden und dient lediglich als Referenzangabe. Sie können nur die Software-Version im DAB- und UKW-Modus einsehen.

1. Betätigen Sie die **ON/OFF-Taste** zum Einschalten des Geräts.
2. Betätigen Sie die **MENU-Taste** und drehen Sie dann am **Frequenzdrehknopf**, bis "System" in der Anzeige erscheint.
3. Drücken Sie auf den **Frequenzdrehknopf** und drehen Sie dann am **Frequenzdrehknopf**, bis "SW version" in der Anzeige erscheint.
4. Drücken Sie auf den **Frequenzdrehknopf**, um die Software-Version einzusehen.
5. Drücken Sie erneut auf den **Frequenzdrehknopf**, um zur normalen Radioanzeige zurückzukehren.

SYSTEMRESET

Wenn das Radio Funktionsstörungen aufweist oder Ziffern in der Anzeige fehlen bzw. unvollständig sind, dann gehen Sie bitte wie folgt vor:

1. Betätigen Sie die **ON/OFF-Taste** zum Einschalten des Geräts.
2. Betätigen Sie die **MENU-Taste**.
3. Drehen Sie am **Frequenzdrehknopf**, bis "System" in der Anzeige erscheint. Drücken Sie auf den **Frequenzdrehknopf**.
4. Drehen Sie am **Frequenzdrehknopf**, "Factory Reset" in der Anzeige erscheint. Drücken Sie auf den **Frequenzdrehknopf**.
5. Drehen Sie am **Frequenzdrehknopf**, um zwischen "Yes" oder "No" zu wechseln. Wählen Sie "Ja", wenn Sie das Radio auf die ursprünglichen Einstellungen zurückzusetzen wollen. Andernfalls wählen Sie "No".
6. Drücken Sie auf den **Frequenzdrehknopf**, um die Werkseinstellungen wiederherzustellen.
7. Daraufhin wird ein kompletter Systemreset ausgeführt. Alle Senderspeicher und Senderlisten werden dabei gelöscht. Alle Einstellungen werden auf die Standardwerte zurückgesetzt. In der Anzeige erscheint "Welcome to Digital Radio" für ein paar Sekunden und das Radio führt automatisch eine Sendersuche im DAB-Band III und im UKW-Band durch. Daraufhin erscheint "ATS setting" in der Anzeige. Sollten Funktionsstörungen aufgrund von elektrostatischen Entladungen auftreten, führen Sie einfach einen Systemreset des Geräts aus und fahren Sie mit der normalen Benutzung fort. Wenn Sie es nicht möglich ist den oben beschriebenen Reset-Vorgang auszuführen, ziehen Sie den Netzadapter aus der Steckdose heraus und schließen Sie ihn wieder an.

TON (BASS / TREBLE)

Mit der **Ton**-Funktion können Sie niedrige un höhere Tonfrequenzen konfigurieren.

1. Schalten Sie das Radio mit der Ein-/Ausschalttaste ein.
2. Drücken Sie den Lautstärkereglern während 3 sec. Im Display erscheint die Anzeige „BASS 0“.
3. Drehen Sie den Lautstärkereglern, um den Bass entsprechend einzustellen.
4. Drücken Sie den Lautstärkereglern zum Bestätigen. Im Display erscheint die Anzeige „TREBLE 0“.
5. Drehen Sie den Lautstärkereglern, um den Hochtönen entsprechend einzustellen.
6. Drücken Sie den Lautstärkereglern, um Ihre Einstellungen zu bestätigen und zur normalen Anzeige zurückzukehren.

ATP PASSWORT

Dieses Radio verfügt über eine Diebstahlsicherung (ATP). Ist ATP aktiviert, müssen Sie zum Einschalten des Radios ein Passwort eingeben.

1. Schalten Sie das Radio mit der **ON/OFF-Taste** ein.
2. Drücken Sie die **MENU-Taste**.
3. Im Display erscheint "System".
4. Drehen Sie die **Frequenzdrehknopf**, bis im Display die Anzeige „Passcode“ erscheint. Drücken Sie die **Frequenzdrehknopf**. Im Display erscheint "Enable" oder "Disable". Um ATP zu aktivieren, drehen und drücken Sie die **Frequenzdrehknopf** zur Auswahl von "Enable".
5. Im Display erscheint die Anzeige "Change Passcode". Geben Sie mit den Speichertasten (1-10) ein 4-stelliges Passwort ein.
6. Im Display erscheint "Confirm Passcode". Geben Sie das Passwort zur Bestätigung ein zweites Mal ein.
7. Um ATP zu deaktivieren, wählen Sie in der vorherigen Anzeige „Disable“ und geben dann das alte Passwort ein, um die Funktion aufzuheben.

Falls bei aktivierter ATP-Funktion dreimal ein falsches Passwort eingegeben wird, startet ein Timer. Der nächste Eingabeversuch ist erst nach Ablauf des Timers möglich. Mit jeder weiteren falschen Eingabe des Passworts erhöht sich der Timer.

WARNUNG: Falls Sie die Passwortfunktion aktivieren, sollten Sie das Passwort an einem sicheren Ort aufbewahren, wie z.B. auf einem Speicherstick. Wir empfehlen Ihnen diese Maßnahme dringend, denn das Radio lässt sich bei Passwortverlust nicht mehr zurücksetzen!

HINTERGRUNDBELEUCHTUNG

Konfiguration der LCD-Hintergrundbeleuchtung

1. Betätigen Sie die **ON/OFF-Taste**, um das Radio einzuschalten.
2. Betätigen Sie die **MENU-Taste**, und drehen Sie dann den **Drehknopf**, bis das Display „System“ anzeigt.
3. Drücken Sie auf den **Frequenzdrehknopf**, drehen Sie den **Frequenzdrehknopf**, bis das Display „LCD backlight“ anzeigt.
4. Drücken Sie auf den **Frequenzdrehknopf**, um das Menü für die Anpassung der LCD-Hintergrundbeleuchtung aufzurufen.
5. Drehen Sie den **Frequenzdrehknopf**, um „on“ auszuwählen, damit die Hintergrundbeleuchtung immer aktiv ist, wenn das Radio per Netzbetrieb läuft.
6. Oder wählen Sie mit dem **Frequenzdrehknopf** „off“ (Standard), so dass die Hintergrundbeleuchtung 10 Sekunden lang aktiv ist, wenn bei Netzbetrieb eine Taste betätigt wird.
7. Drücken Sie auf den **Frequenzdrehknopf**, um Ihre Auswahl zu bestätigen.

Hinweis: Die LCD-Hintergrundbeleuchtungsoption „on“ ist nur verfügbar, wenn das Radio im Netzbetrieb läuft. Wenn das Radio per Akku betrieben wird, ist diese Option auf „off“ gesetzt – 10 Sekunden Beleuchtung, wenn eine Taste betätigt wird. Wenn das Radio wieder mit dem Stromnetz verbunden wird, wird die letzte Benutzereinstellung wieder aktiviert.

RADIONAMENOPTION

Diese Radio unterstützt benutzerdefinierte Radionamen. Wenn das Radio über einen benutzerdefinierten Radionamen verfügt, so wird dieser beim Ein- und Ausschalten des Radios angezeigt.

1. Schalten Sie das Radio mit der **ON/OFF-Taste** ein.
2. Drücken Sie **MENU-Taste** und drehen Sie dann **Frequenzdrehknopf**, bis im Display "System" erscheint.
3. Drücken Sie **Frequenzdrehknopf**. Drehen Sie **Frequenzdrehknopf**, bis im Display "Name" erscheint. Drücken Sie dann **Frequenzdrehknopf**.
4. Drehen Sie **Frequenzdrehknopf** zur Auswahl der Buchstaben. Die maximale Länge des benutzerdefinierten Namens ist 16 Buchstaben.
5. Drücken Sie **Frequenzdrehknopf** zur Bestätigung Ihrer Auswahl. In den Moment, in dem Sie auf **Frequenzdrehknopf** drücken, wird der Cursor auf die nächste Auswahlposition gesetzt.
6. Drücken Sie die Speicherplatz Tasten **P3** oder **P4**, um den Cursor nach links oder rechts zu bewegen.
7. Wiederholen Sie die Schritte 4 bis 6, um den benutzerdefinierten Radionamen zu bearbeiten.
8. Um den benutzerdefinierten Radionamen zu vervollständigen, brauchen Sie lediglich alle 16 Buchstaben eingeben oder **MENU-Taste** drücken.
9. Wenn Sie den Radionamen fertig bearbeitet haben, erscheint die Meldung "Confirm changes" im Display. Wenn Sie die Änderungen speichern erscheint "OK" und "Cancel" erscheint, wenn Sie die Änderungen verwerfen.
10. Um die Änderungen zu bestätigen, drehen Sie **Frequenzdrehknopf** bis "OK" im Display erscheint und drücken Sie dann **Frequenzdrehknopf** zum Verlassen der Bearbeitungsfunktion. Damit übernimmt das Radio dann seinen benutzerdefinierten Namen.
11. Um die Änderungen zu verwerfen, drehen Sie **Frequenzdrehknopf** bis "Cancel" im Display erscheint und drücken Sie dann **Frequenzdrehknopf** zum Verlassen der Bearbeitungsfunktion. Damit werden die Änderungen verworfen und das Radio behält seinen vorigen Anzeigenamen.
12. Das nächste Mal, wenn Sie das Radio einschalten, erscheint in der ersten Anzeigenzeile die Meldung "Welcome" und der neue Name in der zweite Anzeigenzeile.
13. Wenn Sie das Radio ausschalten, erscheint in der ersten Anzeigenzeile die Meldung "Goodbye" und der neue Name in der zweiten Anzeigenzeile.

Anmerkungen:

- Wenn für mehr als 20 Sekunden im Bearbeitungsmenü keine Taste betätigt wird, verlässt das Radio das Menü automatisch, ohne dabei bereits gemachte Änderungen zu speichern.
- Der Standardname des Radios ist leer. Der benutzerdefinierte Name geht verloren und wird durch den Standardnamen (kein Name) ersetzt, wenn ein Systemreset durchgeführt wird.
- Das Radio unterstützt maximal 16 Buchstaben für den Namen des Radios.

GARANTIE

Dieses Gerät kommt mit einer 2-jährigen eingeschränkten Garantie.

WARNUNG! Die Garantie wird nichtig, falls die Abdeckung geöffnet und das Gerät modifiziert oder verändert wurde!

Die Garantie des Radios erstreckt sich nicht auf folgendes:

- Schäden aufgrund falscher Nutzung, Missbrauch, Fahrlässigkeit, Änderungen oder nicht genehmigter Reparaturen.
- Normale(r) Abnutzung und Verschleiß.
- Die Teleskopantenne wurde gebrochen oder geknickt.

TECHNISCHE DATEN

Stromnetzanforderungen

Stromversorgung AC 230 V ~ 50 Hz
Batterien 6 x Größe C (UM-2)

Frequenzbereich

DAB+ / DAB DAB 174,928 - 239,200 MHz
UKW 87,5 - 108 MHz

Schaltkreismerkmale

Lautsprecher 1 x Ø 10 cm
Ausgangsleistung 1 x 7.5 W
Aux-Eingang Ø 3,5 mm

Bluetooth

Version 3.0 Unterstützt Bluetooth-Profil A2DP, AVRCP und HFP

Hinweis zum Umweltschutz:



Dieses Produkt wurde aus hochwertigen Teilen und Materialien, die wiederverwendet und recycelt werden können, hergestellt. Werfen Sie deshalb das Produkt am Ende seiner Lebensdauer nicht in den normalen Hausmüll. Bringen Sie es zu einer Sammelstelle zum Recycling von elektrischen und elektronischen Geräten. Dies wird durch dieses Symbol auf dem Produkt, in der Bedienungsanleitung und auf der Verpackung angegeben. Bitte informieren Sie sich über Sammelstellen bei Ihren örtlichen Behörden. Schützen Sie die Umwelt durch das Recycling von Altgeräten.



Perfectpro B.V.
Everdenberg 9A
4902TT Oosterhout
The Netherlands
www.perfectpro.eu