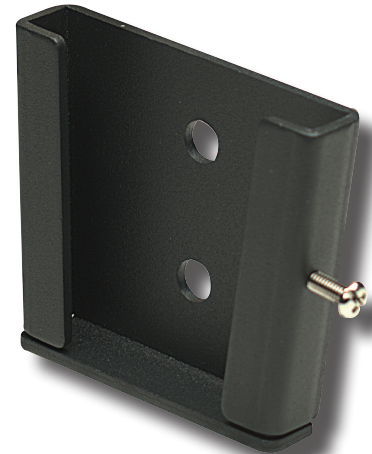


# LCD WALL MOUNT QUICK INSTALL GUIDE

MODEL 422840

Thank you for purchasing this MANHATTAN® LCD Wall Mount, Model 422840.

Fully adjustable tilt, rotate, side-to-side and tension settings allow a single LCD display to be reliably secured and positioned for a comfortable viewing position. [Instructions are on the back of this sheet.](#)



- Securely holds one LCD monitor on wall to improve views, increase work space and minimize clutter
- Two-piece bracket with heavy-duty, steel construction easily mounts to most vertical surfaces
- Meets VESA standards — fits monitors up to 22" and up to 26 pounds
- Lifetime Warranty

## SPECIFICATIONS

### GENERAL

- Fits 75 x 75 mm / 100 x 100 mm VESA-compliant monitors up to 22"
- Monitor weight capacity: up to 15 kg (33 lbs.)

- Installs approximately 2.5 cm (1 in.) from most vertical surfaces

### DIMENSIONS

- Bracket dimensions: 7.6 x 7 cm (3 x 2.75 in.)

- Mount clearance, 12.7 cm (5 in.)
- Weight: 338 g (0.85 lbs.)

### PACKAGE CONTENTS

- LCD Wall Mount
- Installation hardware with instructions



MANHATTAN® offers a complete line of PC Components, Peripherals, Cables and Accessories.

Ask your local computer dealer for more information or visit us online at

[www.manhattan-products.com](http://www.manhattan-products.com)

Copyright © MANHATTAN

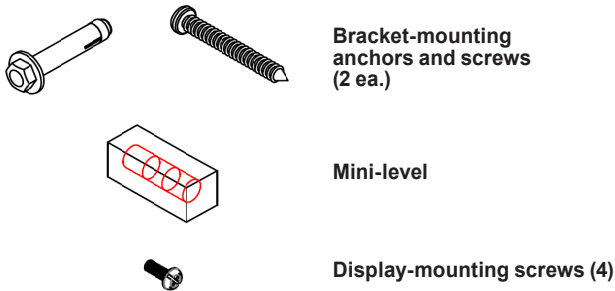
All products mentioned are trademarks or registered trademarks of their respective owners.

# ASSEMBLY INSTRUCTIONS

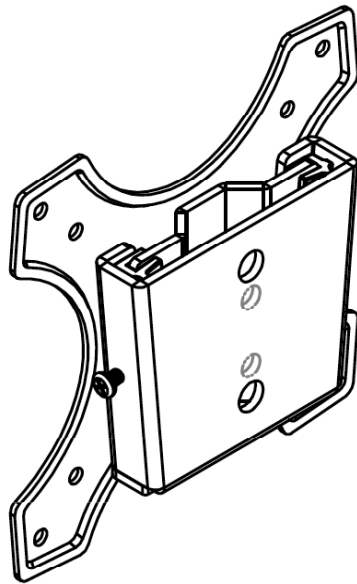
Always handle the LCD monitor with care during assembly of this LCD Wall Mount. Disconnect any cords or cables that could otherwise interfere with the placement of any of the components, and make sure that any screws and

bolts are properly tightened to prevent possible damage to the monitor or nearby items. After assembly, periodically check the fittings to ensure no slippage or loosening has occurred that could result in monitor damage.

1. Check that the package contains the components shown here.

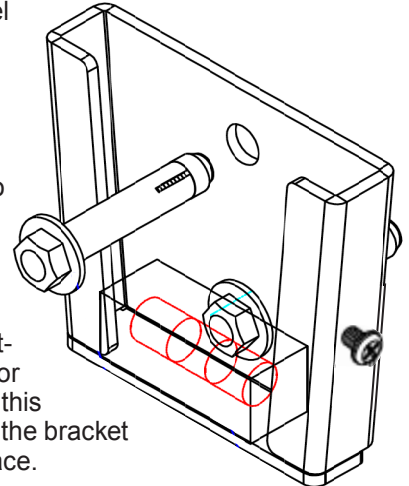


Wall mount with bracket

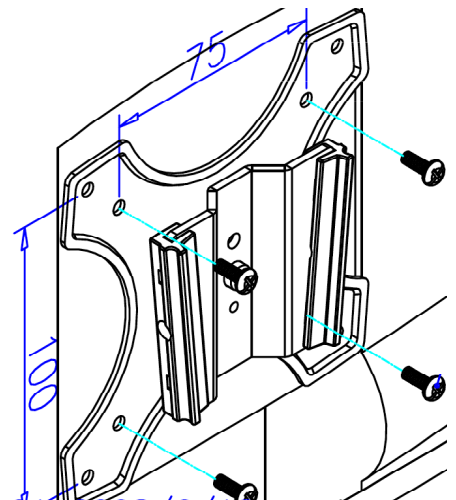


2. Using the mini-level as shown, position the wall bracket against the vertical mounting surface and mark the positions of the two bracket holes.

Punch or drill pilot/ starter holes, if/as needed, then use either the 2 bracket-mounting anchors or screws included in this package to secure the bracket to the vertical surface.



3. Making sure the wall mount is right-side up (to fit into the wall bracket), align the holes in the display bracket with those on the LCD monitor and secure the monitor to the bracket using the four display-mounting screws.



4. Slide the wall mount with monitor attached into the bracket already secured to the vertical surface, then tighten the wall bracket screw (it should align with the center hole, as indicated).

