

PHILIPS

Clock Radio
Radio-réveil

AJB3000

User manual



Register your product and get support at
www.philips.com/support

Contents

| | |
|-------------------------------|----------|
| 1 Important | 1 |
| Safety | 1 |
| Risk of swallowing batteries! | 1 |
| Notice | 1 |

| | |
|----------------------------|----------|
| 2 Your FM/DAB radio | 3 |
| Introduction | 3 |
| About DAB | 3 |
| What's in the box | 3 |
| Overview of the main unit | 3 |

| | |
|---------------------------|----------|
| 3 Get started | 4 |
| Prepare FM/DAB antenna | 4 |
| Connect power | 5 |
| Battery power | 5 |
| Turn on | 6 |
| Switch to standby mode | 6 |
| Adjust volume level | 6 |
| Adjust display brightness | 6 |
| View the information | 6 |
| Set the Clock | 6 |

| | |
|--------------------------|----------|
| 4 Listen to radio | 7 |
| Listen to DAB/DAB+ radio | 7 |
| Listen to FM radio | 8 |

| | |
|-------------------------|-----------|
| 5 Other features | 10 |
| Set the Sleep Timer | 10 |
| Setting the alarm timer | 10 |

| | |
|------------------------------|-----------|
| 6 Product information | 11 |
|------------------------------|-----------|

| | |
|--------------------------|-----------|
| 7 Troubleshooting | 12 |
|--------------------------|-----------|

1 Important

Safety

Important Safety Instructions

- The device shall not be exposed to dripping or splashing.
- Do not place any source of danger on the device (e.g. liquid filled objects, lit candles).
- Where the MAINS plug or an appliance coupler is used as the disconnect device, the disconnect device shall remain readily operable.
- Make sure that there is enough free space around the product for ventilation.
- Battery usage CAUTION - To prevent battery leakage which may result in bodily injury, property damage, or damage to the unit:
 - Install all batteries correctly, + and - as marked on the unit.
 - Batteries (packed or installed) shall not be exposed to excessive heat such as sunshine, fire or the like.
 - Remove batteries when the unit is not used for a long time.
- Only use attachments/accessories specified by the manufacturer.

Risk of swallowing batteries!

- The device may contain a coin/button type battery, which can potentially be swallowed. Keep the battery out of reach of children at all times! If swallowed, the battery can cause serious injury or death. Severe internal burns can occur within two hours of ingestion.

- If you suspect that a battery has been swallowed or placed inside any part of the body, seek immediate medical attention.
- When you change the batteries, always keep all new and used batteries out of reach of children. Make sure that the battery compartment is completely secure after you replace the battery.
- If the battery compartment cannot be completely secured, discontinue use of the product. Keep out of reach of children and contact the manufacturer.



Warning

- Never remove the casing of this unit.
- Never lubricate any part of this unit.
- Place this unit on a flat, hard and stable surface.
- Never place this unit on other electrical equipment.
- Only use this unit indoors. Keep this unit away from water, moisture and liquid-filled objects.
- Keep this unit away from direct sunlight, naked flames or heat.

Notice

Hereby, Gibson Innovations declares that this product is in compliance with the essential requirements and other relevant provisions of Directive 2014/53/EU. You can find the Declaration of Conformity on www.philips.com/support.



Your product is designed and manufactured with high quality materials and components, which can be recycled and reused.



When this crossed-out wheeled bin symbol is attached to a product it means that the product is covered by the European Directive 2012/19/EU. Please inform yourself about the local separate collection system for electrical and electronic products.

Please act according to your local rules and do not dispose of your old products with your normal household waste. Correct disposal of your old product helps to prevent potential negative consequences for the environment and human health.



Your product contains batteries covered by the European Directive 2013/56/EU, which cannot be disposed with normal household waste.

Please inform yourself about the local rules on separate collection of batteries because correct disposal helps to prevent negative consequences for the environmental and human health.

Environmental information

All unnecessary packaging has been omitted. We have tried to make the packaging easy to separate into three materials: cardboard (box), polystyrene foam (buffer) and polyethylene (bags, protective foam sheet.)

Your system consists of materials which can be recycled and reused if disassembled by a specialized company. Please observe the local regulations regarding the disposal of packaging materials, exhausted batteries and old equipment.

Note

- The type plate is located on the back of the unit.

2 Your FM/DAB radio

Congratulations on your purchase, and welcome to Philips!

To fully benefit from the support that Philips offers, register your product at www.philips.com/welcome.

Introduction

With this unit, you can enjoy both FM radio and Digital Audio Broadcasting (DAB) radio.

About DAB

Digital Audio Broadcasting (DAB) DAB digital radio is a new way of broadcasting radio via a network of terrestrial transmitters. It provides listeners with more choice and information delivered in crystal clear, crackle-free sound quality.

- The technology allows the receiver to lock on to the strongest signal it can find.
- With DAB digital stations there are no frequencies to remember, and sets are tuned by station name, so there's no returning on the move.

What is a multiplex?

Digital radio operation is made up of a single block of frequencies called a multiplex. Each multiplex works within a frequency spectrum, such as Band III for DAB broadcasts.

DAB BROADCASTERS AND DLS

Each DAB broadcaster (or multiplex operator) also provides text and audio data services.

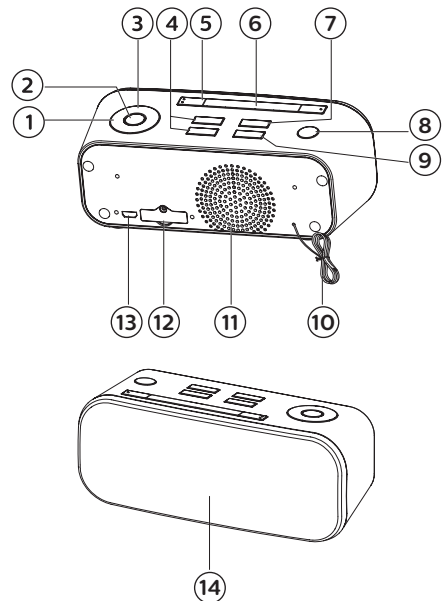
Some programmes are supported by Dynamic Label Segments (DLS). This is data which you can read as scrolling text on your DAB radio display. Some stations transmit the latest news, travel, and weather, what's on now and next, website addresses and phone numbers. For more information on digital radio coverage and services, please visit: www.drdb.org.

What's in the box

Check and identify the contents of your package:

- Main unit
- AC power adapter
- Printed materials

Overview of the main unit



- ① **TUN+▶/TUN-◀**
 - Tune to a radio station
 - Adjust the date, clock time and alarm time
 - To select the menu option
- ② **SET/OK**
 - Set the clock
 - Program radio stations
 - In DAB/FM mode, confirm the menu option
- ③ **PRE+/PRE-**
 - Select a preset radio station
- ④ **VOL+/VOL-**
 - Increase/decrease the volume
- ⑤ **ALARM1/ALARM2**
 - Set the alarm timer
 - Enable/disable the alarm timer
 - Stop alarm
- ⑥ **SNOOZE/BRIGHTNESS**
 - Adjust the display brightness
 - Repeat the alarm
- ⑦ **SLEEP**
 - Set the sleep timer
- ⑧ **⏻/SOURCE**
 - Turn on the unit or switch to standby mode
 - Select a source
- ⑨ **INFO/MENU**
 - Display the current status or time/date
 - In DAB/FM mode, access the menu
- ⑩ **Attached DAB/FM antenna**
- ⑪ **Speaker**
- ⑫ **Battery compartment**
- ⑬ **DC 5.5V $\overline{=}$ 1A**
 - Connect the AC adapter
- ⑭ **Display panel**
 - Show current status

3 Get started



Caution

- Use of controls or adjustments or performance of procedures other than herein may result in hazardous radiation exposure or other unsafe operation.

Always follow the instructions in this chapter in sequence.

If you contact Philips, you will be asked for the model and serial number of this apparatus. The model number and serial number are on the back of the apparatus. Write the numbers here:

Model No. _____

Serial No. _____

Prepare FM/DAB antenna

For optimal reception, fully extend and adjust the position of the FM/DAB antenna.



Tip

- Position the antenna as far away as possible from your TV or other radiation source to prevent interference.

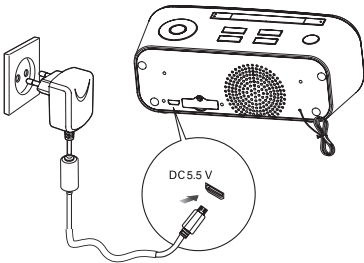
Connect power

! Caution

- Risk of product damage! Make sure that the power supply voltage corresponds to the voltage printed on the back or the underside of the product.
- Risk of electric shock! When you unplug the AC adapter, always pull the plug from the socket. Never pull the cord.
- Use only the AC adapter specified by the manufacturer or sold with this unit.

☰ Note

- The type plate is located on the back of the unit.

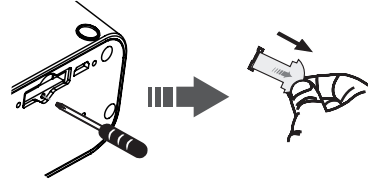


- 1 Connect one end of the AC adapter to the DC input socket on the main unit.
- 2 Connect the other end of the AC adapter to the wall outlet.

Battery power

For first-time use:

Remove the protective tab to activate the unit battery.



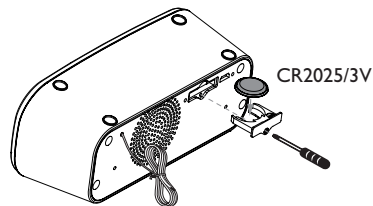
- 1 Loosen the screw on the battery compartment cover with a screwdriver.
- 2 Remove the protective tab.

! Caution

- Batteries (battery pack or batteries installed) shall not be exposed to excessive heat such as sunshine, fire or the like.
- Danger of explosion if battery is incorrectly replaced. Replace only with the same equivalent type.
- Remove batteries if they are exhausted or if the unit is not to be used for a long time.

☰ Note

- Batteries contain chemical substances, so they should be disposed of properly.



- 1 Loosen the screw on the battery compartment cover with a screwdriver.

- 2 Replace a new lithium CR2025 battery with correct polarity (+/-) as indicated.
- 3 Close the battery compartment to the original position, and tighten the screw with a screwdriver.

Turn on

Press **⏻**/**SOURCE** to turn the system on.

Switch to standby mode

Press and hold **⏻**/**SOURCE** for 1 second or more to switch the unit to standby mode.

- ↳ The time (if set) appears on the display.

Adjust volume level

Press **VOL+**/**VOL-** to increase/decrease the volume level.

Adjust display brightness

Press **SNOOZE/BRIGHTNESS** repeatedly to select different levels of display brightness.

View the information

Press **INFO/MENU** repeatedly.

- ↳ The current status and the clock time, date are displayed consequently.

Set the Clock

- 1 In standby mode, press and hold **SET/OK** for 1 second or more.
↳ The hour digits blink on the display.
- 2 Press **TUN+ ▶**/**TUN- ◀** to set the hour.
- 3 Press **SET/OK** to store the setting and the minute digits begin to blink.
- 4 Repeat the above steps 2-3 to set the minute, day, month and year.



Note

- If no button is pressed in 60 seconds, the unit exits clock setting mode automatically.
- To exit clock setting mode without storing, press **INFO/MENU**.

4 Listen to radio

Note

- For optimal reception, fully extend and adjust the position of the antenna.

Listen to DAB/DAB+ radio

Tuning to DAB Mode

- Press **SOURCE** to select DAB source.
 - ↳ **DAB Mode** (DAB mode) appears on the display.
- If no DAB/DAB+ radio station is stored, the unit can search and store DAB/DAB+ radio stations automatically.
 - ↳ **[Scanning...]** (scanning) is displayed.
 - ↳ All available stations are programmed.
- If no DAB/DAB+ service is available.
 - ↳ **[Full scan]** (full scan) is displayed.

Manually tuning to a DAB/DAB+ radio station

Press **TUN+▶/TUN-◀** to select your desired DAB channels backward/forward.

Store DAB/DAB+ radio stations

Note

- You can store up to 20 DAB/DAB+ radio stations.

Automatically

Press and hold **SET/OK** for 1 second or more to activate automatic program mode.

- ↳ **[Scanning...]** (scanning) is displayed.
- ↳ All available stations are programmed.

Manually

- 1 Tune to a DAB/DAB+ radio station.
- 2 Press and hold **PRE+/PRE-** for 1 second or more to activate program mode.
 - ↳ The preset number will appear.
- 3 Repeatedly press **PRE+/PRE-** to allocate a number to this radio station.
- 4 Press **SET/OK** again to store the station.
- 5 Repeat the above steps 1 to 4 for each station you want to store in memory with a preset number.

Note

- If the unit is unplugged or if a power failure occurs, the preset stations will not be erased.

Tuning to preset radio stations

Repeatedly press **PRE+/PRE-** until the desired preset station is displayed.

- ↳ The unit will tune to the selected station automatically.

DAB/DAB+ Information Display

You can view the DAB/DAB+ service information in the following modes. Depending on the DAB/DAB+ radio station you are tuning to, some information modes may be unavailable.

Repeatedly press **INFO/MENU** to view the following information.

- ↳ Station Name
- ↳ Ensemble Name
- ↳ Clock
- ↳ DLS (Dynamic Label Segment)
- ↳ Signal Strength
- ↳ Programme Type
- ↳ Frequency
- ↳ Bit Rate
- ↳ Audio

Use the menu

When you listen to radio, you can access the menu for control options.

- 1 Press and hold **INFO/MENU** for 1 second or more.
 - ↳ **[Full scan]** (full scan) is displayed.
- 2 Press **TUN+ ▶/TUN- ◀** to select a menu option, and then press **SET/OK** to confirm the option or enter the lower-level menu.
 - ↳ **Full scan** (full scan)
 - Scan and store DAB/DAB+ radio stations within full range.
 - Manual tune** (manual tune)
 - Tune to a DAB radio station manually.
 - ↳ **DRC**
 - Dynamic range control: Select a level for the effect of dynamic range control.
 - Prune** (prune)
 - Remove all invalid stations from the station list.
 - ↳ **System** (system)
 - ↳ **[Time] (time)** for setting time and date information:
 - [Set Time/Date]** (set time/date), **[Auto time sync]** (automatic time synchronization), **[Set 12/24**

hour] (set 12/24 hour) and **[Set date format]** (set date format).

- ↳ **[Factory Reset]** (factory reset) for resetting all radio settings to the factory default status.
- ↳ **[SW version]** (software version) for displaying the current version of the firmware.

- 3 Press **INFO/MENU** to exit the menu.

Listen to FM radio

Tuning in to a Station

- 1 Press **☺/SOURCE** button to select FM source.
 - ↳ **FM Mode** (FM mode) appears on the display.
- 2 Select a station using one of the following methods.
 - ↳ **Auto Tuning** (automatic tuning)
 - Press and hold **TUN+ ▶/TUN- ◀** for 1 second or more.
 - ↳ The frequency changes down or up automatically until a station is found.
 - ↳ **Manual Tuning** (manual tuning)
 - Repeatedly press **TUN+ /UN- ◀** to change the frequency until you find the station you want.
 - ↳ **Select a preset radio station**
 - Repeatedly press **PRE+/PRE-** to select the desired preset number.
 - ↳ Its band and frequency are displayed on the display.

Program radio stations manually

Note

- You can store up to 20 FM radio stations.

Automatically

Press and hold **SET/OK** for 1 second or more to activate automatic program mode.

- ↳ **[Scanning...]** (scanning) is displayed.
- ↳ All available stations are programmed.
- ↳ The first programmed radio station is broadcast automatically.

Manually

- 1 Tune to a radio station.
- 2 Press and hold **PRE+/PRE-** for 1 second or more to activate program mode.
 - ↳ The preset number will appear.
- 3 Repeatedly press **PRE+/PRE-** to allocate a number to this radio station.
- 4 Press **SET/OK** again to store the station.
- 5 Repeat the above steps 1 to 4 for each station you want to store in memory with a preset number.

Note

- If the unit is unplugged or if a power failure occurs, the preset stations will not be erased.

Use the menu

When you listen to radio, you can access the menu for control options.

- 1 Press and hold **INFO/MENU** for 1 second or more.
 - ↳ **[Scan setting]** (scan setting) is displayed.
- 2 Press **TUN+▶/TUN-◀** to select a menu option, and then press **SET/OK** to confirm the option or enter the lower-level menu.
 - ↳ **Scan setting** (scan setting)
 - Search and store radio stations automatically:
 - ↳ **[Strong stations only]** (strong stations only) for radio stations with strong signal only.
 - ↳ **[All stations]** (all stations) for all radio stations.
 - ↳ **System (system)**
 - ↳ **[Time] (time)** for setting time and date information: **[Set Time/Date]** (set time/date), **[Auto time sync]** (automatic time synchronization), **[Set 12/24 hour]** (set 12/24 hour) and **[Set date format]** (set date format).
 - ↳ **[Factory Reset]** (factory reset) for resetting all radio settings to the factory default status.
 - ↳ **[SW version]** (software version) for displaying the current version of the firmware.
- 3 Press **INFO/MENU** to exit the menu.

Show RDS information

RDS (Radio Data System) is a service that allows FM stations to show additional information.


- 1 Tune to an RDS station.
- 2 Repeatedly press **INFO/MENU** to display the following information (if available):
 - ↳ Station name
 - ↳ Program type such as **[NEWS]** (news), **[SPORT]** (sport), **[POP M]** (pop music)...
 - ↳ Time
 - ↳ Text
 - ↳ Frequency

5 Other features

Set the Sleep Timer

You can set the unit to turn off automatically after a certain period of time.

- When the unit is turned on, press **SLEEP** repeatedly to select a set period of time (in minutes):
10, 20, 30, 60, 90,

When sleep timer is activated,  is displayed.

To deactivate sleep timer


Repeatedly press **SLEEP** until **OFF** (off) is displayed and  disappears.

Setting the alarm timer

You can set two alarms which go off at different times.

Note

- Make sure that you have set the clock correctly.

- 1 Make sure that you have set the clock correctly. (See “Set the Clock”.)
- 2 Press and hold **ALARM1/ALARM2** for 1 second or more.
 - ↳  and the hour digits blink on the display.
- 3 Press **TUN+▶/TUN-◀** to set the hour.
- 4 Press **SET/OK** to store the setting and the minute digits begin to blink.
- 5 Repeat the above steps 3-4 to set the minute, alarm tone and alarm volume level.

- 6 Press **SET/OK** to save the alarm detail.

Note

- When the alarm rings, you can press **VOL +/-** to adjust volume.
- If other alarm sources are unavailable, the unit switches to BUZZER automatically.
- To exit clock setting mode without storing, press **INFO/MENU**.
- If no button is pressed in 30 seconds, the unit exits alarm timer setting mode automatically.

To deactivate or re-activate an alarm timer

Repeatedly press **ALARM1/ALARM2** to activate the alarm function or press again to deactivate it. If timer is activated, Δ is displayed.

Repeat alarm

When the alarm rings, press **SNOOZE/BRIGHTNESS**, the alarm repeats ringing 9 minutes later.

Stop alarm ring

When the alarm rings, press the corresponding **ALARM1/ALARM2** to stop the alarm with the alarm settings remaining unchanged.

6 Product information

Note

- Product information is subject to change without prior notice.

Amplifier

- **Maximum Output Power:** 1 W
- **Frequency Response:** 100 - 20000 Hz, ± 3 dB

Tuner

- **Tuning Range (FM):** 87.5 - 108MHz
- **Tuning grid (FM):** 50 KHz
- **Sensitivity**
 - **Mono, 26dB S/N Ratio:** < 22dBf
- **Search Selectivity:** < 35dBf
- **Total Harmonic Distortion:** < 2%
- **Signal to Noise Ratio:** > 45 dB

DAB

- **Frequency Range:** Band III (174~240MHz)

Speakers

- **Speaker Impedance:** 3 ohm
- **Speaker Driver:** 3 inch full range
- **Sensitivity:** 81 \pm 3dBm/W

General information

- **AC/DC adapter:**
 - **Input:** 100-240V~, 50/60 Hz
 - **Output:** DC 5.5V, 1.0A
 - **Model No.:** TPA107-55055-EU
- **Operation Power:**
 - **Consumption:** 1.65 W
- **Dimensions (W x H x D):** 160 x 66 x 63 mm
- **Weight:** 0.29 kg

7 Troubleshooting



Warning

- Never remove the casing of this device.

To keep the warranty valid, never try to repair the system yourself.

If you encounter problems when using this apparatus, check the following points before requesting service. If the problem remains unsolved, go to the Philips web site (www.philips.com/welcome). When you contact Philips, ensure that the apparatus is nearby and the model number and serial number are available.

No power

- Ensure that the power plug is connected properly.
- Ensure that there is power at the AC Mains.
- Ensure that the batteries are inserted correctly.

No sound

- Adjust the volume.

No response from the unit.

- Take out the batteries and turn on the unit again.
- Disconnect and reconnect the AC power plug, then turn on the unit again.

Poor radio reception

- Increase the distance between the unit and your TV or other radiation source.
- Fully extend the antenna.



Copyright © 2017 Gibson Innovations Limited.

This product has been manufactured by, and is sold under the responsibility of Gibson Innovations Ltd., and Gibson Innovations Ltd. is the warrantor in relation to this product. The Philips trademark and the Philips Shield Emblem are registered trademarks of Koninklijke Philips N.V. used under license.

AJB3000_12_UM_V1.0

