



YOUR CHOICE FOR INSPIRED LIVING

2017





FOLLOW US



OFFICE & SHOWROOM

Rak 20

1551 NA Westzaan

HOLLAND

PHONE: +31 (0)75 614 60 20

MAIL: info@dutchbone.com

WEBSITE: www.dutchbone.com



We are Dutchbone.

We love furniture. We love global inspired interiors. Products with a soul. With a signature. Products we discover during our travels. Inspired by the colours of the earth. A found story that deserves to be told. Our collection is a precise blend of handcraft and industry. An affordable collection that is always in motion. Whether you live in a loft in New York, a houseboat in Amsterdam or somewhere in the country: we are sure we have something in store for you.

We are



**FURNITURE.
THERE IS MORE TO IT.**



THE TALES TO TELL ON DETAILS.

Natural materials, like solid wood, wool and kubu rattan, have very special characteristics which makes each item unique.

Handcrafted items, carved, embossed or even blockprinted by hand, increase our sense of comfort and cosiness.

In our collection we carefully mix these materials & techniques with more industrial ones, to offer you the finest blend between traditional and more contemporary interior products.

A perfect mix of found treasures, for you.

WHAT WE HAVE IN STORE FOR YOU.

CHAIRS	4
TABLES	16
SEATERS	40
CABINETS	48
CARPETS	58
LIGHTING	66
HOME DECO	102



Look for this
icon to see
what's new in
this edition!

**CHERISH THE CHAIRS.
REAL TREASURES
THEY ARE.**





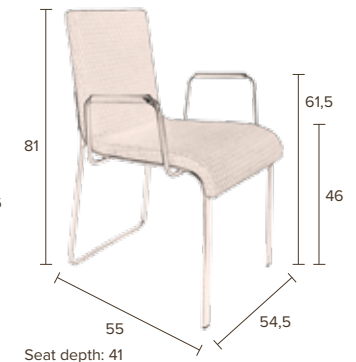
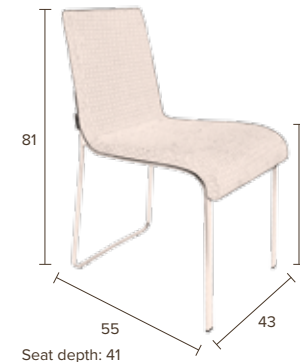
Flor chair and armchair

Sometimes you find real class in a frame. Take chair Flor. We've put a lot of design detail into the sturdy but elegant frame, which features converging back legs and has a brushed rose gold colour. Furthermore, we've given the upholstery a little extra subtle touch in the shape of a diamond pattern. Flor comes in two elegant colours and is available with or without armrests!

100% polyester upholstery, Martindale: >50.000, colour fastness: 4
 Plywood shell with PU foam, density 30-35
 Rose gold powder coated stainless steel frame with plastic glides
 Solid ashwood armrests in dark brown
 Maximum weight load: 100 kg



ITEM CODE	GTIN-CODE	ITEM NAME		
1100290	8718548030855	CHAIR FLOR BLACK		
1100291	8718548030879	CHAIR FLOR OCHRE		
PACKING	2 PCS/CTN	ORDER QTY: 2 PCS		
QTY	CTN SIZE (CM)	CBM	NW (KG)	GW (KG)
2	65x57x64	0,237	18	22
PRICE (1 PCS)		RETAIL	€ 239,-	
ITEM CODE	GTIN-CODE	ITEM NAME		
1200129	8718548030893	ARMCHAIR FLOR BLACK		
1200130	8718548030916	ARMCHAIR FLOR OCHRE		
PACKING	2 PCS/CTN	ORDER QTY: 2 PCS		
QTY	CTN SIZE (CM)	CBM	NW (KG)	GW (KG)
2	65x57x64	0,237	20,50	25
PRICE (1 PCS)		RETAIL	€ 289,-	

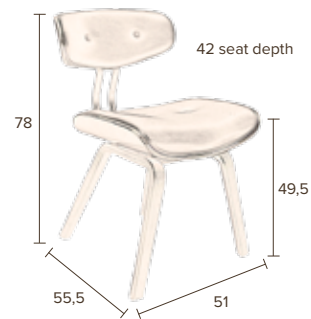




Blackwood chair

Our chair Blackwood is Dutchbone's answer to the classical lounge chair. A comfortable addition to your seating area and packed with classic style. A nice salute to the fifties.

Padded upholstery in PU-leather
 Foam density 28
 Walnut veneered bentwood
 Black powdercoated steel frame
 Maximum weight load: 120 kg



ITEM CODE	GTIN-CODE	ITEM NAME		
1100240	8718548022133	CHAIR BLACKWOOD		
PACKING	1 PCS/CTN			
QTY	CTN SIZE (CM)	CBM	NW (KG)	GW (KG)
1	52x50x41	0,11	7,8	9,5
PRICE (1 PCS)		RETAIL	€ 159,-	



Franky counter stool

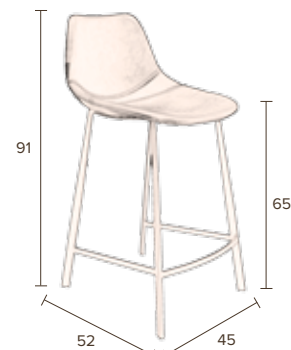
The Franky bar stool has a smaller version now: Counter Stool Franky. Just the right height for most breakfast bars. You know those quick-bite extensions many kitchen islands have these days? Turns out it's not always easy to find a right height and stylish stool for those tables. Franky helps you out right there. And just think how it will combine with the dining chair version of Franky. What a family!

Vintage PU-leather

Plywood shell with PU foam, density 30-35

Black powder coated steel frame, plastic feet

Maximum weight load: 100 kg



Seat depth: 40

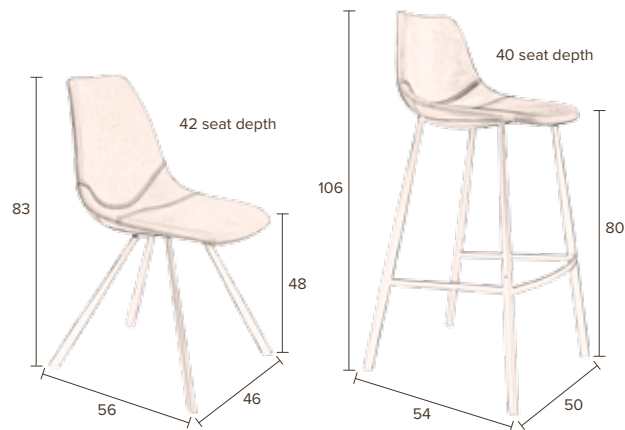
ITEM CODE	GTIN-CODE	ITEM NAME		
1500041	8718548030800	COUNTER STOOL FRANKY BLACK		
1500042	8718548030817	COUNTER STOOL FRANKY BROWN		
PACKING	2 PCS/CTN	ORDER QTY: 2 PCS		
QTY	CTN SIZE (CM)	CBM	NW (KG)	GW (KG)
2	64x52x66	0,22	14	17
PRICE (1 PCS)		RETAIL	€ 239,50	



Franky chair and bar stool

Sometimes inspiration comes from odd places...
 Guess what sport inspired us for this chair?
 The decorative stitching of the vintage shell combined with the straight lines of the base, makes this chair and barstool a very contemporary design.

Vintage PU-leather
 Plywood shell with PU foam, density 30-35
 Black powder coated steel frame, plastic feet
 Maximum weight load: 100 kg



ITEM CODE	GTIN-CODE	ITEM NAME		
1100280	8718548026551	CHAIR FRANKY BLACK		
1100281	8178548026568	CHAIR FRANKY BROWN		
PACKING	2 PCS/CTN	ORDER QTY: 2 PCS		
QTY	CTN SIZE (CM)	CBM	NW (KG)	GW (KG)
2	65x53x54	0,186	14 (2x7)	17
PRICE (1 PCS)		RETAIL	€ 198,-	

ITEM CODE	GTIN-CODE	ITEM NAME		
1500039	8718548026575	BARSTOOL FRANKY BLACK		
1500040	8718548026582	BARSTOOL FRANKY BROWN		
PACKING	2 PCS/CTN	ORDER QTY: 2 PCS		
QTY	CTN SIZE (CM)	CBM	NW (KG)	GW (KG)
2	57x54x81	0,249	15 (2x7,5)	18
PRICE (1 PCS)		RETAIL	€ 239,50	



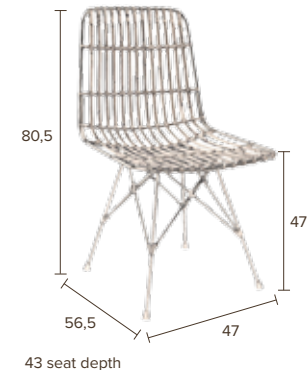
Kubu chair

The beauty of rattan is not only in its natural colour, feel and looks, it is also in its characteristics. It grows for instance, in otherwise barren swamp areas and at an alarming rate of about 40 meters every year. We kept it uncoloured, and therefore not only at its prettiest but also at its environmental friendliest. We choose to work with the slightly thicker Kubu rattan for more style.

It's the simplicity that gives chair Kubu its undeniable style. The black powder coated frame is ultra thin and very good looking with its thin legs and stylish support bars. Chair Kubu's seat is made from a thicker rattan, 6-8 mm, which you can style up with Dutchbones Sheepskin Shaun, for even more comfort and even more class.

Kubu rattan shell
 Black powder coated iron frame
 Rubber feet
 Maximum weight load: 100 kg

ITEM CODE	GTIN-CODE	ITEM NAME		
1100228	8718548020740	CHAIR KUBU		
PACKING	1 PCS/CTN			
QTY	CTN SIZE (CM)	CBM	NW (KG)	GW (KG)
1	53x51x51	0,138	6,09	7,98
PRICE (1 PCS)		RETAIL	€ 169,-	





Scuola chair

The old-school, school chair gone chique. That's what happened to Dutchbone's Scuola chair, which has its origin in a small Italian workshop. The dark wood and black frame gives it an educated look. Yet we did not remove its basic qualities. Scuola is stackable and very capable of heavy duty usage. Perfect for bars and restaurants. When combined with table Scuola you have a match made in old - school, furniture heaven.

Back and seat in beech plywood, stained in walnut colour and finished with transparent varnish
 Black powder coated steel frame
 Stackable
 Maximum weight load: 120 kg

ITEM CODE	GTIN-CODE	ITEM NAME		
1100239	8718548022126	CHAIR SCUOLA		
PACKING	4 PCS/CTN	ORDER QTY: 4 PCS		
QTY	CTN SIZE (CM)	CBM	NW (KG)	GW (KG)
4	58x48,5x119	0,33	20 (4X5)	22
PRICE (1 PCS)		RETAIL	€ 99,-	





Mini Bar chair

Our successful Bar Lounge chair now has a smaller clone, our Mini Bar. The lounge chair version of Bar, turned out to be a hit. With customers asking for more 'Bar-comfort', a dining chair seemed like the most logical addition. From now on, it is the soft comfort, good cushioning and the convenient swivel foot of Mini Bar that is responsible for long and most enjoyable dinner parties.

100% polyester fabric
 Plywood shell with PU-foam, density 35
 Black steel swivel frame
 Maximum weight load: 120 kg



ITEM CODE	GTIN-CODE	ITEM NAME		
1100258	8718548024939	CHAIR MINI BAR LIGHT GREY		
1100259	8718548024953	CHAIR MINI BAR DARK GREY		
PACKING	2 PCS/CTN	ORDER QTY: 2 PCS		
QTY	CTN SIZE (CM)	CBM	NW (KG)	GW (KG)
2	76x45x57	0,195	20 (2x10)	24
PRICE (1 PCS)		RETAIL	€ 259,-	

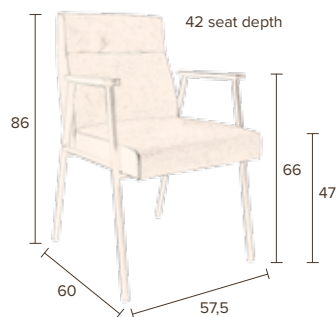




Fez armchair

For Fez we were inspired by the sleek and simple lines you would often see in designs from the fifties. A chair without any pretense. Just being comfortable and stylish. Fez is beautifully upholstered in the perfect shade of vintage brown high quality PU-leather.

Vintage PU-leather
 Plywood shell with polyether foam, density 25-30
 Black powder coated steel frame, plastic feet
 Birch armrest, walnut colour finish
 Maximum weight load: 120 kg



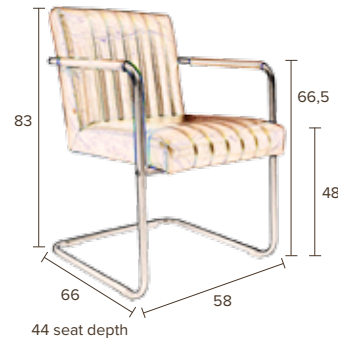
ITEM CODE	GTIN-CODE	ITEM NAME		
1200111	8718548020993	ARMCHAIR FEZ VINTAGE BROWN		
PACKING	2 PCS/CTN	ORDER QTY: 2 PCS		
QTY	CTN SIZE (CM)	CBM	NW (KG)	GW (KG)
2	63x77x74	0,359	22 (2X11)	24
PRICE (1 PCS)		RETAIL	€ 239,-	



Stitched armchair

Stitched is a very comfortable cantilever framed chair, upholstered with high quality PU-leather. The black frame is responsible for a comfortable little bounce. Stitched got its name because of the detailed stitching we used in the upholstery. Stitched comes in two stylish colours.

Vintage PU-leather upholstery & armrests
 Plywood shell with polyether foam, density 24-28
 Black powder coated steel frame, plastic glides
 Maximum weight load: 120 kg



ITEM CODE	GTIN-CODE	ITEM NAME		
1200117	8718548023222	ARMCHAIR STITCHED COGNAC		
1200118	8718548023239	ARMCHAIR STITCHED DARK GREY		
PACKING	2 PCS/CTN	ORDER QTY: 2 PCS		
QTY	CTN SIZE (CM)	CBM	NW (KG)	GW (KG)
2	83x57x53	0,243	25,6 (2x12,8)	28
PRICE (1 PCS)		RETAIL	€ 189,-	



Juju chair

Simple beauty packed with style inspired by old colonial times. Her dark wooden legs, the fine fabric and her elegant style, that is what makes Juju the ultimate dining room chair.

100% polyester fabric
Shell: metal tube inner frame + foam filling
Ash wood legs, walnut colour finish
Separate seat cushion with removable cover
Maximum weight load: 100 kg



44 seat depth



ITEM CODE	GTIN-CODE	ITEM NAME		
1100232	8718548021181	CHAIR JUJU GREY		
1100233	8718548021204	CHAIR JUJU KHAKI		
PACKING	2 PCS/CTN	ORDER QTY: 2 PCS		
QTY	CTN SIZE (CM)	CBM	NW (KG)	GW (KG)
2	80x59x62	0,293	14,7 (2x7,35)	17,3
PRICE (1 PCS)		RETAIL	€ 169,-	

**TIME FOR TABLES.
DINNERTIME OR
ANY TIME.**





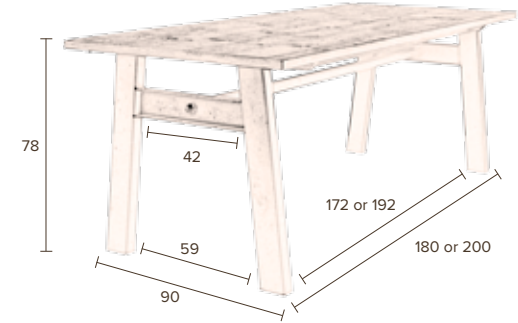
Crude table

Every interior design collection needs a simple, beautiful wooden dining table. For Dutchbone this is table Crude. A characteristic old Elm wooden table top, supported by a sturdy and dark metal frame. The combination of the dark metal and the warm colour of the wood is very pleasing to the eye. And to your interior as well!

32 mm solid recycled* old elm table top, finished with natural PU-coating
 Black powder coated iron frame
 Maximum weight load: 100 kg



*The wood is reclaimed from old houses or interiors that are renovated or rebuilt. This gives each table top its unique character.



ITEM CODE	GTIN-CODE	ITEM NAME			
2100012	8718548026612	TABLE CRUDE 180x90			
PACKING	1 PCS/2 CTN				
COMPONENT	CTN SIZE (CM)	CBM	NW (KG)	GW (KG)	
CTN 1	184x94x9	0,16	38,5	40,5	
CTN 2	82x77x21	0,13	24	26	
PRICE (1 PCS)		RETAIL	€ 1099,-		

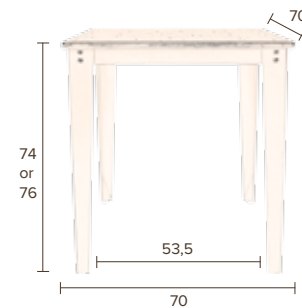
ITEM CODE	GTIN-CODE	ITEM NAME			
2100011	8718548025936	TABLE CRUDE 200x90			
PACKING	1 PCS/2 CTN				
COMPONENT	CTN SIZE (CM)	CBM	NW (KG)	GW (KG)	
CTN 1	204x94x9	0,17	42,8	44,5	
CTN 2	82x77x21	0,13	24	26	
PRICE (1 PCS)		RETAIL	€ 1199,-		



Scuola table

The combination of black steel and dark wood never gets old. We found the predecessor of this table in an Italian workshop. We tweaked it to our perfection. With tapered steel legs and a sleek table top Scuola came to life for us. We added chair Scuola to this table, to complete the look.

2 cm birch plywood table top, stained in walnut colour and finished with transparent varnish
 Black powder coated steel frame
 Adjustable in height: 74 or 76 cm
 Maximum weight load: 150 kg



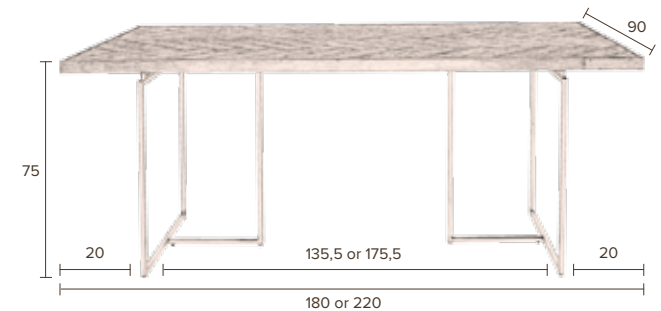
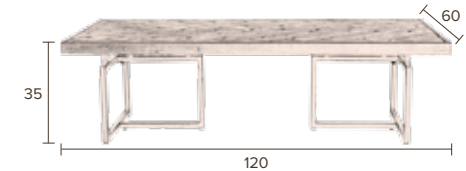
ITEM CODE	GTIN-CODE	ITEM NAME			
2100059	8718548022102	TABLE SCUOLA 140x70			
2100060	8718548022119	TABLE SCUOLA 70x70			
PACKING	1 PCS/CTN				
SIZE	CTN SIZE (CM)	CBM	NW (KG)	GW (KG)	
140x70	146x76x8	0,09	25	27	
70x70	76x76x8	0,05	16	18	
PRICE 140 (1 PCS)		RETAIL	€ 529,-		
PRICE 70 (1 PCS)		RETAIL	€ 445,-		



Class table

We spotted it a while ago: The well deserved revival of the herringbone wooden floor. The pattern, the glory of the grain in the wood and the way the light playfully creates colour differences.... We just love it. So we found a way to incorporate the herringbone pattern in what we know best: Furniture. As a result we present: Dining and coffee table Class. We used the stunning wood pattern in the tabletop and combined it with an elegant base, which we gave an antique brass finish. All to make sure table Class really deserves the capital C in her name.

4 cm table top, MDF with acacia wood veneer, finished with natural PU-coating
 20 mm mild steel square tube frame, antique brass colour coated
 Maximum weight load: 200 kg



ITEM CODE	GTIN-CODE	ITEM NAME		
2100013	8718548026179	TABLE CLASS 180x90		
2100014	8718548026186	TABLE CLASS 220x90		
2200016	8718548026193	COFFEE TABLE CLASS		
PACKING	1 PCS/CTN			
SIZE	CTN SIZE (CM)	CBM	NW (KG)	GW (KG)
180x90	188,5x98,5x19	0,353	42	48
220x90	228,5x98,5x19	0,428	51	58
120x60	128,5x68,4x18	0,158	22	27
PRICE 180 (1 PCS)		RETAIL	€ 745,-	
PRICE 220 (1 PCS)		RETAIL	€ 799,-	
PRICE 120 (1 PCS)		RETAIL	€ 395,-	



Class table





Nuts table

Here's an idea: Simplicity can be more appealing than luxury. Our table Nuts is a good example of this theory. Familiar but never boring, with its dark walnut veneer and black steel base.

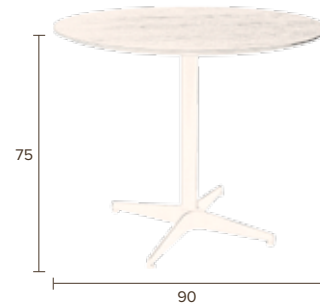
Table Nuts comes in a practical size, which makes it ideal for small rooms or forgotten corners.

18 mm MDF table top, walnut veneered and natural lacquered

Black powder coated steel tube frame (Ø 66 mm)

Adjustable rubber feet

Maximum weight load: 10-150 kg (edge-middle)



ITEM CODE	GTIN-CODE	ITEM NAME		
2100055	8718548021471	TABLE NUTS ROUND 90'		
PACKING	1 PCS/CTN			
QTY	CTN SIZE (CM)	CBM	NW (KG)	GW (KG)
1	96x98x11	0,103	14	18
PRICE (1 PCS)		RETAIL	€ 299,-	





Arabica coffee table

During our travels through Asia we noticed every small village has its coffee 'corner', where people gather to drink a strong brewed coffee, sitting at small tables. Tables like our coffee table Arabica. We gave ours a twist though. Quite literally. In the form of the one turned wooden leg. Arabica comes in three sizes and heights, which perfectly nest together to one big overlapping coffee table.

9 mm MDF table top and plywood border
Walnut veneered and natural lacquered
Rubber wood legs, walnut colour finish
Maximum weight load: 10 kg

Dimensions:
S: 40x45 cm (Ø x H)
L: 58,5x40 cm (Ø x H)
XL: 78x35 cm (Ø x H)



ITEM CODE	GTIN-CODE	ITEM NAME		
2200003	8718548019676	COFFEE TABLE ARABICA S		
2200004	8718548019683	COFFEE TABLE ARABICA L		
2200005	8718548019690	COFFEE TABLE ARABICA XL		
PACKING	1 PCS/CTN			
SIZE	CTN SIZE (CM)	CBM	NW (KG)	GW (KG)
S	48x43,5x9,4	0,02	1,9	2,4
L	63x64,5x9	0,037	4,2	4,8
XL	83x81x9	0,061	5,2	6,5
PRICE S (1 PCS)		RETAIL	€ 79,-	
PRICE L (1 PCS)		RETAIL	€ 139,-	
PRICE XL (1 PCS)		RETAIL	€ 189,-	



Kraton side table

In Indonesia we found the fundamentals of our side table Kraton. The top of the side table made out of several pieces of solid wood which are pressed together to form the surface. This remarkable technique ensures that no two Kraton's are alike and results in a rough and sturdy top. The skill of building a good interior is all about gathering notable furniture. And Kraton complies.

50 mm solid teak wood table top, chocolate lacquered
 Black lacquered iron frame
 Maximum weight load: 75 kg
 Dimensions: 60x43 cm (Ø x H)



ITEM CODE	GTIN-CODE	ITEM NAME		
2300044	8718548020177	SIDE TABLE KRATON CHOCOLATE		
PACKING	1 PCS/CTN			
QTY	CTN SIZE (CM)	CBM	NW (KG)	GW (KG)
1	65,5x65,5x49,5	0,21	15	16
PRICE (1 PCS)		RETAIL	€ 169,-	

Brok side table

Side table Brok looks like it was on safari with Karen Blixen in the movie 'Out of Africa'. Needless to say, Brok is perfect for all adventures and classic interiors. This side table is made out of metal and has a great used and vintage look.

Iron with vintage finish
 15 mm table top on foldable frame
 Maximum weight load: 7,5 kg
 Dimensions: 78 x 40 cm (Ø x H)



ITEM CODE	GTIN-CODE	ITEM NAME		
2300048	8718548020719	SIDE TABLE BROK		
PACKING	1 PCS/CTN			
QTY	CTN SIZE (CM)	CBM	NW (KG)	GW (KG)
1	80x20x80	0,13	6,5	7,5
PRICE (1 PCS)		RETAIL	€ 179,-	



Sham coffee table

Coffee Table Sham is made out of Sheesham wood, also known as Rosewood. Sheesham is an Indonesian hardwood, which is very durable but also known for its pretty flamed patterns and varying colours. Our artisans make these versatile coffee tables by hand and put extra effort in the woodcarving of the top. This detail in the design, really adds to Sham's charm. But it doesn't stop there: Sham comes in a set of two tables, and they overlap! Because of the droplet shaped form we chose, you can play endlessly with Sham's alignment.

Set of 2 coffee tables

25 mm solid sheesham wood table top, PU-lacquered

Solid sheesham wood legs with brass coloured feet

Maximum weight load: 20 kg

Dimensions small: 70x50x33 cm (LxWxH)

Dimensions large: 110x60x40 cm (LxWxH)



ITEM CODE	GTIN-CODE	ITEM NAME		
2200006	8718548024397	COFFEE TABLE SHAM SET OF 2		
PACKING	1 PCS/CTN (SET OF 2)			
QTY	CTN SIZE (CM)	CBM	NW (KG)	GW (KG)
1 (SET OF 2)	114x64x22	0,161	12	15
PRICE (1 SET)		RETAIL	€ 379,-	



Geo deco table

Is it an end table? Is it a stool? Well, it is strikingly beautiful however you decide to use our Geo. The square table top is supported by four triangles. All covered with teakwood, in an intriguing wood construction. Try it next to your favourite chair or tuck it in a lost corner to shine as an accent piece.

Recycled teak parts on MDF base,
natural NC-lacquered
Maximum weight load: 30 kg
Dimensions: 54 x 40 cm (Ø x H)



ITEM CODE	GTIN-CODE	ITEM NAME		
2400007	8718548029149	DECO TABLE GEO		
PACKING	1 PCS/CTN			
QTY	CTN SIZE (CM)	CBM	NW (KG)	GW (KG)
1	42x42x43	0,076	6,24	7,13
PRICE (1 PCS)		RETAIL	€ 149,50	

Tides side table

Tides is the perfect blend of traditional styling and industrial flair. We made the elegant base of Tides from antique black steel and used rough Teak wood for the table top. It is that surprising combination of form and material that gives Tides its interesting look and casual elegance.

Set of 2 side tables
18 mm table top, recycled teak parts on MDF,
natural NC-lacquered
Mild steel frame & table top border, HB-coated
Maximum weight load: 20 kg
Dimensions S: 38x53 cm (Ø x H)
Dimensions M: 38x60 cm (Ø x H)



ITEM CODE	GTIN-CODE	ITEM NAME		
2300082	8718548028944	SIDE TABLE TIDES SET OF 2		
PACKING	1 PCS/CTN (SET OF 2)			
QTY	CTN SIZE (CM)	CBM	NW (KG)	GW (KG)
1 (SET OF 2)	40,5x40,5x65,5	0,11	8,61	9,89
PRICE (1 SET)		RETAIL	€ 129,-	



Mundu coffee table

It was whilst traveling through India that we came upon this herringbone-like table top. Right there and then, side table Mundu sprang to life. But not before we decided on the perfect size and added the steel frame with an antique black look as a sturdy finishing touch. As a matter of fact Mundu comes as a set of two different sized tables that combine perfectly and overlap nicely.

Set of 2 coffee tables

18 mm table top, recycled teak parts on MDF, teak veneered border, natural NC-lacquered
Mild steel frame, HB-coated
Maximum weight load: 20 kg
Dimensions S: 55x40 cm (Ø x H)
Dimensions M: 55x45 cm (Ø x H)

NEW



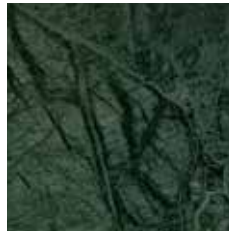
ITEM CODE	GTIN-CODE	ITEM NAME		
2200018	8718548027657	COFFEE TABLE MUNDU SET OF 2		
PACKING	1 PCS/CTN (SET OF 2)			
QTY	CTN SIZE (CM)	CBM	NW (KG)	GW (KG)
1 (SET OF 2)	59,5x59,5x11	0,039	11,95	13,7
PRICE (1 SET)		RETAIL	€ 159,-	



Emerald side table

We would like to imagine Marilyn Monroe would have embellished her lounge area with side table Emerald. It just has that über luxurious fifties chic. The deep emerald green marble top has rich dark markings and lines. With its bronze powder coated base, Emerald will quickly help to set the tone in your room.

15 mm green marble table top
 13 mm iron tube frame,
 powder coated in bronze colour
 Maximum weight load: 20 kg
 Dimensions: 41x55 cm (Ø x H)



ITEM CODE	GTIN-CODE	ITEM NAME		
2300064	8718548025196	SIDE TABLE EMERALD		
PACKING	1 PCS/CTN			
QTY	CTN SIZE (CM)	CBM	NW (KG)	GW (KG)
1	45x17x57	0,0436	6,9	9,5
PRICE (1 PCS)		RETAIL	€ 125,-	



Twig side table

Side table Twig is a great solution to show off treasures you have brought back from faraway places. Twig, with its black metal sturdy appearance can also be used as an excellent table to give stage to your most amazing houseplant. Or simply use it to hold your book and a glass of fine wine....

Cast aluminium, black powder coated
 Maximum weight load: 40 kg
 Dimensions: 30,5x60 cm (Ø x H)



ITEM CODE	GTIN-CODE	ITEM NAME		
2300094	8718548030503	SIDE TABLE TWIG BLACK		
PACKING	1 PCS/CTN			
QTY	CTN SIZE (CM)	CBM	NW (KG)	GW (KG)
1	52x40x28	0,058	2,7	5,8
PRICE (1 PCS)		RETAIL	€ 99,-	



Luggage side table

Side table Luggage is created by thinking out of the box, or suitcase for that matter. This vintage looking table is ideal to showcase a collection of houseplants or shine in the lounge area. Luggage is not suitable to travel, but can be used to hold treasured travel diaries and memorabilia inside!

MDF suitcase, upholstered with vintage PU-leather
 With wooden & antique gold plated iron details
 Black polyester lining inside
 Cast iron legs, stoved in antique black and waxed
 Feet with plastic glides
 Maximum weight load: 25 kg
 Dimensions: 49x32x40 cm (WxDxH)



ITEM CODE	GTIN-CODE	ITEM NAME		
2300086	8718548030084	SIDE TABLE LUGGAGE		
PACKING	1 PCS/CTN			
QTY	CTN SIZE (CM)	CBM	NW (KG)	GW (KG)
1	54,5x23,5x38,5	0,049	4,3	5,2
PRICE (1 PCS)		RETAIL	€ 99,-	



Eliot side table

Good things often come in twos. At least here at Dutchbone. Mostly because we don't want to choose and like to give you more choice. Or because we fall in love with a detail and we want to use it in more than one design. Something similar happened with side table Eliot. Like side table Elia it is blessed with shiny brass socks. And like his brother, Eliot is sturdy and a versatile little table!

Iron table top with 10 mm border, antique brass plated, clear powder coated
 Iron legs, antique brass plated, clear powder coated
 Brass feet, natural lacquered
 Maximum weight load: 10 kg
 Dimensions: 37x59 cm (Ø x H)

ITEM CODE	GTIN-CODE	ITEM NAME		
2300062	8718548025158	SIDE TABLE ELIOT BRASS ANTIQUE		
PACKING		1 PCS/CTN		
QTY	CTN SIZE (CM)	CBM	NW (KG)	GW (KG)
1	55x43x12	0,028	4	5,85
PRICE (1 PCS)		RETAIL	€ 99,-	

ITEM CODE	GTIN-CODE	ITEM NAME		
2300063	8718548025165	SIDE TABLE ELIA BLACK/BRASS		
PACKING		1 PCS/CTN		
QTY	CTN SIZE (CM)	CBM	NW (KG)	GW (KG)
1	42x28x45	0,051	2,6	5,18
PRICE (1 PCS)		RETAIL	€ 89,-	

Elia side table

The combination of brass and black powder coated iron is always a good one. The result is a sturdy, yet elegant and super trendy little side table. The simple forms and textures of side table Elia is what makes it a versatile little table. Made to be used all over the house.

Iron table top with 10 mm border, black powder coated
 Iron legs, black powder coated
 Brass feet, natural lacquered
 Maximum weight load: 6 kg
 Dimensions: 37x59 cm (Ø x H)





Moulin side table

Side Table Moulin is blessed with a complex but very decorative base and at the same time its table top competes for attention with its gold finish. As a result it is a stunner of a side table, for which we found inspiration traveling through Asia. We love it as a side table, or a display spot for pretty books or flea market finds.

Iron table top, brass plated on top & black powder coated underneath

Iron frame, black powder coated

Maximum weight load: 50 kg

Dimensions: 50x53 cm (Ø x H)



ITEM CODE	GTIN-CODE	ITEM NAME		
2300092	8718548030480	SIDE TABLE MOULIN		
PACKING	1 PCS/CTN			
QTY	CTN SIZE (CM)	CBM	NW (KG)	GW (KG)
1	56x56x59	0,187	4,75	8,5
PRICE (1 PCS)		RETAIL	€ 259,-	



Sari side table

Side table Sari features a metal mesh on a glass table top which results in an airy and light look for this pretty table. Don't be mistaken though, the metal design makes this side table as sturdy as can be. Sari's character is not overly flashy, but certainly able to make a statement in any interior!

Cast aluminium table top, antique brass powder coated
 On smoke coloured glass layer
 Iron frame, black powder coated
 Maximum weight load: 25 kg
 Dimensions: 33x46 cm (Ø x H)



ITEM CODE	GTIN-CODE	ITEM NAME		
2300093	8718548030497	SIDE TABLE SARI		
PACKING	1 PCS/CTN			
QTY	CTN SIZE (CM)	CBM	NW (KG)	GW (KG)
1	38x37x54	0,076	4,65	7,4
PRICE (1 PCS)		RETAIL	€ 159,00	



Clay side table

Look at side table Clay here. Yes, it is small but it fills a whole room with pure personality. Clay was crafted from a solid slab of Sheesham wood. We love Shee-sham wood for its durability, but especially for the beautiful colour variations and flamed pattern. But it doesn't stop there, we've also put some elbow grease into the legs. They are slim, but have a rough look as if we formed them by hand.

40 mm solid sheesham wood table top, PU-lacquered
 Cast iron legs in clayed look, black powder coated
 Maximum weight load: 15 kg
 Dimensions: 35-38x40 cm (Ø x H)



ITEM CODE	GTIN-CODE	ITEM NAME		
2300056	8718548024434	SIDE TABLE CLAY		
PACKING	1 PCS/CTN			
QTY	CTN SIZE (CM)	CBM	NW (KG)	GW (KG)
1	40x42x10	0,02	11,3	13,2
PRICE (1 PCS)		RETAIL	€ 99,-	



Bast side table

Do you remember how we work with impeccable woodcarvers from the Dunbar region in India? They hand carve wood to make stamps for printing on fabric. Their work never ceases to inspire us. So now we transferred their creative, beautiful and ancient old patterns on to metal and created a table top. Because we like you to have a choice: Side table Bast comes in copper and brass!

Solid sheesham wood, PU-lacquered
 Table top covered with mild steel sheet,
 with hand embossed pattern
 Feet in same colour metal as top
 Maximum weight load: 10 kg
 Dimensions: 40x50 cm (Ø x H)



ITEM CODE	GTIN-CODE	ITEM NAME		
2300053	8718548024403	SIDE TABLE BAST COPPER		
2300055	8718548024427	SIDE TABLE BAST BRASS		
PACKING	1 PCS/CTN			
QTY	CTN SIZE (CM)	CBM	NW (KG)	GW (KG)
1	45x45x9	0,02	2,1	3,2
PRICE (1 PCS)		RETAIL	€ 139,-	





Abbas side table

Side table Abbas looks like a serving tray from Marrakech that has magically grown legs. Like it was granted a wish from a genie in a bottle. First wish was: 'Give me a brass casted look'. Second wish was: 'Grow me nice thin legs'. Third wish was: 'Make me a Dutchbone side table.' We happily complied.

Cast aluminium, brass plated
 Maximum weight load: 15 kg
 Dimensions: 45x45x41 cm (WxDxH)



ITEM CODE	GTIN-CODE	ITEM NAME		
2300065	8718548025202	SIDE TABLE ABBAS		
PACKING	1 PCS/CTN			
QTY	CTN SIZE (CM)	CBM	NW (KG)	GW (KG)
1	50x62x8	0,025	3,48	5,15
PRICE (1 PCS)		RETAIL	€ 139,-	



Alim side table

Our Alim nesting side tables have a cosmopolitan character. Each tabletop has its own handsome finish: Brass, metal and antique copper. The warm tones of the tabletops are accentuated by the black powder coated metal legs. Spread these nesting side tables when entertaining and arrange them together after your guests have left. No matter how you use them, placed together or alone, next to a favorite chair, our Alim tables bring an interesting glow into the room.

Set of 3 side tables

6 mm cast aluminium table top,
plated with antique copper, brass or metal
Iron legs, black powder coated
Brass detailed feet

Maximum weight load: 10 kg

Dimensions S: 35,5x39,5 cm (Ø x H)

Dimensions M: 35,5x45 cm (Ø x H)

Dimensions L: 35,5x48 cm (Ø x H)



ITEM CODE	GTIN-CODE	ITEM NAME		
2300073	8718548025363	SIDE TABLE ALIM SET OF 3		
PACKING	1 PCS/CTN (SET OF 3)			
QTY	CTN SIZE (CM)	CBM	NW (KG)	GW (KG)
1 (SET OF 3)	42x42x18	0,032	7,34	10,95
PRICE (1 SET)		RETAIL	€ 269,-	



By Hand side table

For our block printed Dutchbone items we work with woodcarvers from the riverbanks in the Dhundbar region of India. Here craftsmen carve the wooden stamps needed to print fabrics.

We found the stamps themselves were already a work of art. Table By Hand is a tribute to their craftsmanship. Each table is hand carved.

Table Sheesham is the perfect match with By Hand.

Solid sheesham wood

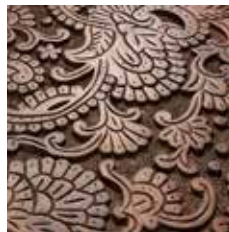
35 mm table top, hand carved, PU-lacquered

Maximum weight load: 10 kg (M), 12 kg (L)

Dimensions:

M: 35x37 cm (Ø x H)

L: 40x45 cm (Ø x H)



ZUIVER-CODE	GTIN-CODE	ITEM NAME		
2300045	8718548020184	SIDE TABLE BY HAND M		
2300046	8718548020191	SIDE TABLE BY HAND L		
PACKING	1 PCS/CTN			
SIZE	CTN SIZE (CM)	CBM	NW (KG)	GW (KG)
M	41x39x11	0,018	2,5	4
L	49x44x11	0,024	3,4	4,5
PRICE M (1 PCS)		RETAIL	€ 149,-	
PRICE L (1 PCS)		RETAIL	€ 165,-	





Sheesham side table

For our block printed Dutchbone items we work with woodcarvers from the riverbanks in the Dhundbar region of India. There craftsmen carve the wooden stamps needed to print fabrics.

We found the stamps themselves were already a work of art. Table Sheesham is a tribute to their craftsmanship. Each table is hand carved.

Table By Hand is the perfect match with Sheesham.

Solid sheesham wood

35 mm table top, hand carved, PU-lacquered

Maximum weight load: 10 kg

Dimensions: 30x46 cm (Ø x H)



ZUIVER-CODE	GTIN-CODE	ITEM NAME		
2300047	8718548020207	SIDE TABLE SHEESHAM		
PACKING	1 PCS/CTN			
QTY	CTN SIZE (CM)	CBM	NW (KG)	GW (KG)
1	49x34x11	0,018	2,9	4
PRICE (1 PCS)		RETAIL	€ 119,-	

**TAKE A SEAT.
A COMFORTABLE
ONE.**

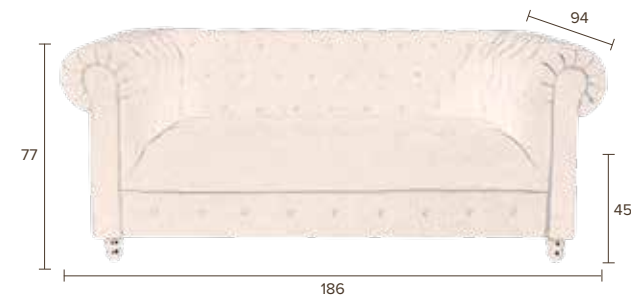




Chester sofa

At Dutchbone we are often inspired by classic designs from the early twentieth century. Like the Chesterfield sofa, which actually originates from the eighteenth century. We have decided that this classic design is back in style, yet again. Of course our version comes with a 21st century twist. We skipped the leather and used a nice vintage cotton for a surprising effect. Sofa Chester is smaller than most of its ancient predecessors and therefore suitable for any interior.

100% cotton fabric, colour fastness 3-4
 Filling: polyether foam, density 30-35
 Solid oak legs, dark brown finish
 Maximum weight load: 600 kg



ITEM CODE	GTIN-CODE	ITEM NAME			
3200028	8718548020795	SOFA CHESTER VINTAGE FOREST 13			
PACKING	1 PCS/CTN				
QTY	CTN SIZE (CM)	CBM	NW (KG)	GW (KG)	
1	194x101x82	1,607	39	41	
PRICE (1 PCS)		RETAIL	€ 999,-		



Smoker lounge chair

Lounge chair Smoker brings back memories of old timer, family cars. The bucket seats from these oldtimers were in a way designed for a proper lounge area. In honor of these old-timer cars we introduce Smoker. This very comfortable chair comes in three vintage colours.

100% polyester fabric with mixed fabric piping
(57% viscose, 28% linen, 15% cotton)

> 35.000 Martindale

Colour fastness 3,5 - 4

Filling: polyurethane foam

Foam density seat 32, back 25

Solid oak legs, dark brown oil finish

Maximum weight load: 120 kg



ITEM CODE	GTIN-CODE	ITEM NAME		
3100024	8718548019867	LOUNGE CHAIR SMOKER DARK GREY		
3100025	8718548019874	LOUNGE CHAIR SMOKER RED		
3100026	8718548019881	LOUNGE CHAIR SMOKER BEIGE		
PACKING	1 PCS/CTN			
QTY	CTN SIZE (CM)	CBM	NW (KG)	GW (KG)
1	76x63x82	0,392	9,5	12
PRICE (1 PCS)		RETAIL	€ 259,-	





Bar lounge chair

Suddenly we saw it slowly coming up. Everywhere we travelled: Liberally upholstered easy chairs. Lots of cushioning and lots of comfortable fabric. Lounge chair Bar is our response to that spotted trend. Available in grey fabric and brown vintage leather to bring that special Dutchbone feeling into your interior. Our design team loves the seventies feel Bar has.

100% polyester fabric or vintage PU-leather
 Plywood shell with PU-foam
 Foam density back: 25-30,
 foam density seat: 30-35
 Black steel swivel frame
 Maximum weight load: 120 kg



ITEM CODE	GTIN-CODE	ITEM NAME		
3100029	8718548021457	LOUNGE CHAIR BAR LIGHT GREY		
3100030	8718548021464	LOUNGE CHAIR BAR DARK GREY		
3100044	8718548031685	LOUNGE CHAIR BAR VINTAGE BROWN		
PACKING	1 PCS/CTN			
QTY	CTN SIZE (CM)	CBM	NW (KG)	GW (KG)
1	90x41x69	0,255	17	21
PRICE LIGHT GREY/ DARK GREY (1 PCS)			RETAIL € 529,-	
PRICE VINTAGE BROWN (1 PCS)			RETAIL € 549,-	





Don lounge chair

Lounge chair Don is for men with barbered beards and old school tattoos. But also for anyone with a stylish interior which is in need of a good, swivel footed easy chair. Don is a dandy lounge chair and a real standalone. Don comes in two colours: black and cognac.

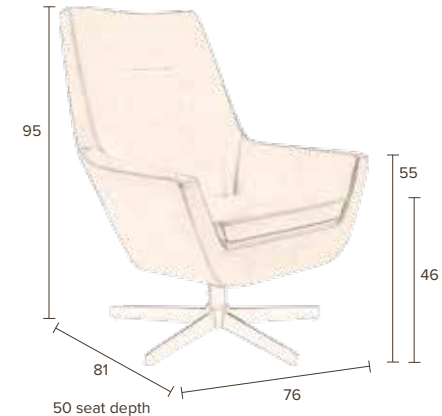
Upholstery in leatherlook (100% PU)

Filling: polyester foam

Foam density seat 30, back 25

Black powdercoated steel swivel frame

Maximum weight load: 150 kg



ITEM CODE	GTIN-CODE	ITEM NAME			
3100027	8718548020153	LOUNGE CHAIR DON BLACK			
3100028	8718548020160	LOUNGE CHAIR DON COGNAC			
PACKING	1 PCS/CTN				
QTY	CTN SIZE (CM)	CBM	NW (KG)	GW (KG)	
1	L-shaped box: 74 (31/43)x77x79(43/46)	0,31	12,5	15,5	
PRICE (1 PCS)		RETAIL	€ 299,-		



Kubu Round chair

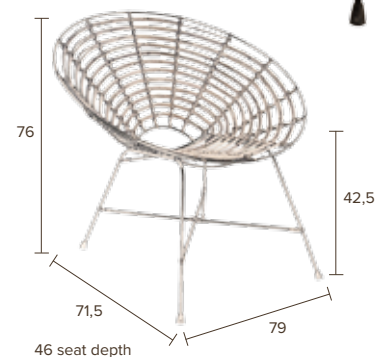
The beauty of rattan is not only in its natural colour, feel and looks, it is also in its characteristics. It grows for instance, in otherwise barren swamp areas and at an alarming rate of about 40 meters every year. We kept it uncoloured, and therefore not only at its prettiest but also at its environmental friendliest. We choose to work with the slightly thicker Kubu rattan for more style.

Chair Kubu Round is a sculptural armchair, made out of sturdy natural Kubu rattan and an elegant, thin black powder coated frame. Kubu Round is the perfect combination of an elegant curve with a compact and simple form.

Kubu Round can be styled up with Dutchbones sheepskin Shaun for even more comfort and even more class.

Kubu rattan shell
 Black powder coated iron frame
 Rubber feet
 Maximum weight load: 100 kg

ITEM CODE	GTIN-CODE	ITEM NAME		
1100229	8718548020757	CHAIR KUBU ROUND		
PACKING	1 PCS/CTN			
QTY	CTN SIZE (CM)	CBM	NW (KG)	GW (KG)
1	83x70x50	0,291	7,96	11,6
PRICE (1 PCS)		RETAIL	€ 239,-	





**DO NOT MESS
THINGS UP.
GET ORGANIZED.**

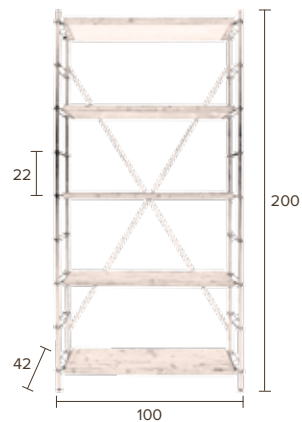




Iron shelf

Build-a-rack with Dutchbone's shelf Iron. This sturdy and tough looking shelving system comes with two stands and five teak shelves. The beauty of shelf Iron is that you can expand and therefore create a bookcase to your liking. Just keep adding shelves and stands and build your own bookcase...

Iron frame with vintage look powdercoating
 Solid wood shelves, natural lacquered
 Maximum weight load: 150 kg



ITEM CODE	GTIN-CODE	ITEM NAME		
4200001	8718548023321	SHELF IRON		
PACKING	1 PCS/CTN			
QTY	CTN SIZE (CM)	CBM	NW (KG)	GW (KG)
1	205x25x46	0,236	25	27
PRICE (1 PCS)		RETAIL	€ 589,-	





Vino cabinet

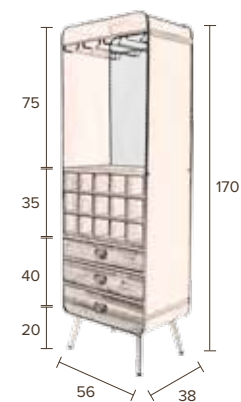
Cabinet VINO keeps all your essentials for entertaining friends and family on display and close at hand. VINO was designed with a vintage French piece in mind, which we spotted once in a restaurant in the Provence. Of course we provided our version with an update, we added a wire mesh back panel.

Stoved iron body and legs with mesh iron back panel
 Four row rack to store your wine glasses
 Bottle compartment and drawers:
 Solid fir wood with antique finish
 MDF with waterbased black paint coating
 Maximum weight load: 50 kg

ITEM CODE	GTIN-CODE	ITEM NAME		
4100017	8718548030107	CABINET VINO		
PACKING	1 PCS/CTN			
QTY	CTN SIZE (CM)	CBM	NW (KG)	GW (KG)
1	157x44x62,5	0,432	25,5	27,5
PRICE (1 PCS)		RETAIL	€ 595,-	



NEW





Juju sideboard

For years now we have had a family heirloom standing at our headquarters. It was a signature cabinet originating from the house of one of our grandmothers. It was over 40 years old and suddenly completely in style again. So much so, it inspired us to include a similar design in our collection: Cabinet Juju a.k.a Grandma's cabinet.

MDF body and inside, finished in matte black
Walnut veneered doors & drawer fronts
Ash wood legs, walnut colour finish

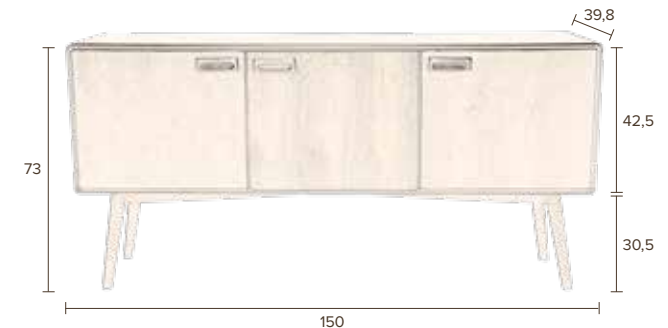
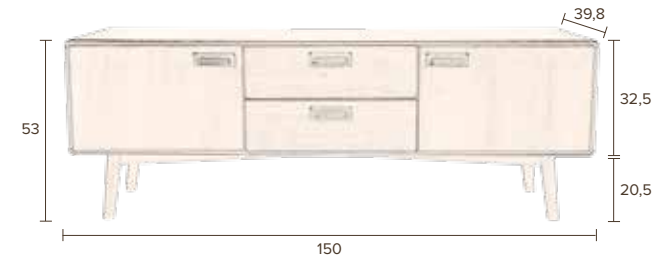
Sideboard low:

2 doors and shelves, 1 drawer, 1 flap compartment with cable opening at the back

Sideboard high:

3 doors and 3 shelves

ITEM CODE	GTIN-CODE	ITEM NAME			
4300003	8718548021167	SIDEBOARD JUJU LOW			
4300004	8718548021174	SIDEBOARD JUJU HIGH			
PACKING	1 PCS/CTN				
SIZE	CTN SIZE (CM)	CBM	NW (KG)	GW (KG)	
LOW	159x49x22	0,171	37	40	
HIGH	161,5x50,5x22	0,1719	38	41,3	
PRICE LOW (1 PCS)		RETAIL	€ 495,-		
PRICE HIGH (1 PCS)		RETAIL	€ 499,-		





Class sideboard

Dutchbone's Class series is a pretty family of furniture which you can combine to make all your decorating dreams come true. This elegant sideboard with an antique brass finished base has cabinet doors inlaid with acacia wood in a fabulous herringbone pattern. Like we said, you can mix and match our Class collection but this sideboard also has enough character to shine by itself.

MDF with acacia wood veneer, finished with natural PU-coating

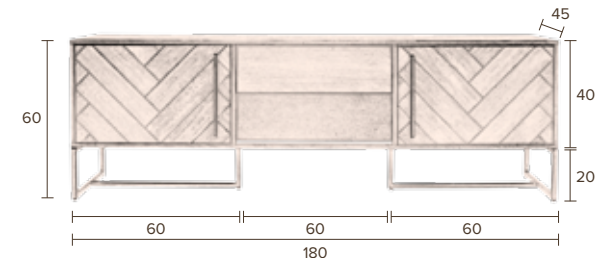
20 mm mild steel square tube frame & 11 mm door handles, antique brass colour coated

Frame with plastic glides

Left/right: compartment with 1 door, one shelf inside
In the middle: two smaller compartments with retractable doors (lift up and push in)

Maximum weight load: 50 kg

NEW



ITEM CODE	GTIN-CODE	ITEM NAME		
4300007	8718548029347	SIDEBOARD CLASS		
PACKING	1 PCS/CTN			
QTY	CTN SIZE (CM)	CBM	NW (KG)	GW (KG)
1	187x52x67,5	0,656	51,2	61,5
PRICE (1 PCS)		RETAIL	€ 999,-	

Sol cabinet and sideboard





Sol cabinet and sideboard

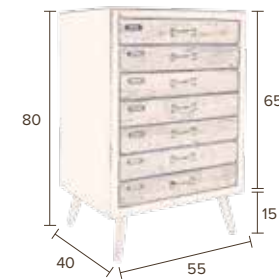
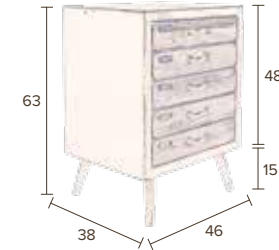
Papers, papers and even more papers. Our cabinet Sol will cherish them all for you. This pretty vintage-looking cabinet is inspired by old school sideboards. Because one can never have too many drawers, our translation of this classic comes in three sizes: Tall, smaller and a fabulous sideboard.

MDF body in vintage iron look, n/c lacquered
 Solid pine wood drawers in vintage finish
 Metal handles & label holders
 Stoved iron legs
 Maximum weight load: 25 kg

Number of drawers:

Sol M: 2 large (double) drawers + 1 small one at the top
 Sol L: 3 large (double) drawers + 1 small one at the top
 Sol sideboard: 3 large (double) drawers, 3 small drawers + 3 open drawers at the top

ITEM CODE	GTIN-CODE	ITEM NAME		
4100007	8718548020832	CABINET SOL L		
4100008	8718548020849	CABINET SOL M		
4300001	8718548020856	SIDEBOARD SOL		
PACKING	1 PCS/CTN			
SIZE	CTN SIZE (CM)	CBM	NW (KG)	GW (KG)
L	60x45x71	0,192	17	19
M	51x43x54	0,118	12	14
SIDEBOARD	160x45x49	0,353	33	35
PRICE L (1 PCS)		RETAIL	€ 325,-	
PRICE M (1 PCS)		RETAIL	€ 239,-	
PRICE SIDEBOARD (1 PCS)		RETAIL	€ 599,-	

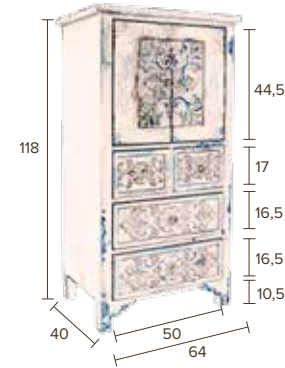




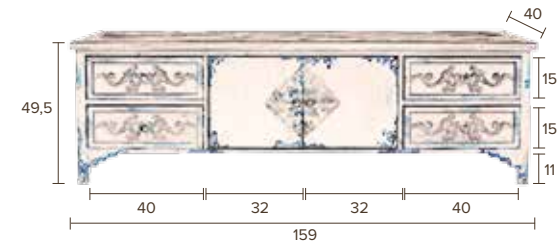
Fuz cabinet and sideboard

Vintage yet modern, old school but brand new. Our Fuz cabinet and sideboard have it all. These dark wooden pieces with wood carved panels, are more than average storage units. They are potential future heirlooms!

Solid pinewood in vintage finish
 Carved floral pattern
 Cabinet: 2 large drawers, 2 smaller drawers and 2 doors with magnetic closure
 Sideboard: 4 drawers and 2 doors with magnetic closure



ITEM CODE	GTIN-CODE	ITEM NAME			
4100015	8718548020818	CABINET FUZ			
4300002	8718548020825	SIDEBOARD FUZ			
PACKING	1 PCS/CTN				
SIZE	CTN SIZE (CM)	CBM	NW (KG)	GW (KG)	
CABINET	69x49x127,5	0,431	26	28	
SIDEBOARD	168x49x59	0,486	23	25	
PRICE (1 PCS)		RETAIL	€ 499,-		





Brooke cabinet

Our small cabinet Brooke is as versatile as can be. This smart and pretty locker is made of metal. It has two compartments and stands most conveniently on wheels. Use it under your desk for storing papers or next to your bed as a nightstand, even in your kitchen as the perfect extra cupboard for spices and a respectable oil and vinegar collection.

Iron with vintage finish
 2 doors with magnetic closure
 6 cm castors



ITEM CODE	GTIN-CODE	ITEM NAME		
4100016	8718548022096	CABINET BROOKE		
PACKING	1 PCS/CTN			
QTY	CTN SIZE (CM)	CBM	NW (KG)	GW (KG)
1	50,5x41,5x80	0,17	11,5	13
PRICE (1 PCS)		RETAIL	€ 269,-	



**WHENEVER YOU
NEED COMFORT,
CARPETS ARE
THERE FOR YOU.**





Bid carpet

Carpet Bid features a classic pattern in bright, bold colours. Don't be fooled by its antique look. Carpet Bid is crafted from modern materials, made to endure heavy traffic and all sorts of wear and tear. Carpet Bid comes in two colour settings: Old Red and Old Green. They are like fraternal twins. They look alike, but at the same time are very different. So be aware, picking a favourite won't be easy.

Machine-woven carpet with fringes
 38% rayon, 26% cotton, 26% acrylic, 10% polyester
 Synthetic rubber backing, anti slip

2 sizes:

- 170 x 240 cm (WxL)
- 200 x 300 cm (WxL)

Height: 5,5 mm

ITEM CODE	GTIN-CODE	ITEM NAME		
6000052	8718548023932	CARPET BID 170X240 OLD RED		
6000053	8718548023949	CARPET BID 170X240 OLD GREEN		
6000057	8718548023987	CARPET BID 200X300 OLD RED		
6000058	8718548023994	CARPET BID 200X300 OLD GREEN		
PACKING	1 PCS/PLASTIC			
SIZE	PACKING SIZE (CM)	CBM	NW (KG)	GW (KG)
170X240	183x13,5 (LxØ)	0,026	4,9	5,8
200X300	206x13,5 (LxØ)	0,029	7,2	8
PRICE 170 (1 PCS)		RETAIL	€ 279,-	
PRICE 200 (1 PCS)		RETAIL	€ 389,-	



Note: This carpet has a soft pile. It can assume darker or lighter shades when it is walked on or vacuum cleaned. Colour variations may also appear when viewing the rug from different angles.





Rugged carpet

Our carpet Rugged is the perfect translation from old to new. Although this vintage rug resembles a classic carpet, it is very contemporary. Made of modern materials with modern techniques. This trendy woven carpet seems a sanded Persian rug, but is very soft and therefore more comfortable.

Machine woven carpet

Composition: 66% viscose, 25% cotton, 9% polyester
Synthetic rubber backing, anti slip

2 sizes:

- 170x240 cm (WxL)
- 200x300 cm (WxL)

Height: 6 mm

ITEM CODE	GTIN-CODE	ITEM NAME		
6000022	8718548019195	CARPET RUGGED 170x240 DARK		
6000023	8718548019201	CARPET RUGGED 200x300 DARK		
6000024	8718548019218	CARPET RUGGED 170x240 LIGHT		
6000025	8718548019225	CARPET RUGGED 200x300 LIGHT		
6000026	8718548019232	CARPET RUGGED 170x240 OCEAN		
6000027	8718548019249	CARPET RUGGED 200x300 OCEAN		
PACKING	1 PCS/PLASTIC			
SIZE	PACKING SIZE (CM)	CBM	NW (KG)	GW (KG)
170x240	180x10 (LxØ)	0,01	5,3	5,7
200x300	205x15 (LxØ)	0,04	7,8	8,2
PRICE 170 (1 PCS)		RETAIL	€ 259,-	
PRICE 200 (1 PCS)		RETAIL	€ 369,-	



dark



light



ocean

Note: This carpet has a soft pile. It can assume darker or lighter shades when it is walked on or vacuum cleaned. Colour variations may also appear when viewing the rug from different angles.

Carpet Shisha is a typical new classic. We took a traditional pattern and used modern techniques to make a low-pile and surprisingly soft carpet. This rug is available in three shades. The two lightest shades have a chic, faded design. Shisha has a fringe-edge for a classy finishing touch.



Shisha carpet

Machine woven carpet with fringes

Pile: 90% heat-set polypropylene Decolan and 10% viscose, for a wool-like appearance with a silky shine
Back finished with jute

3 sizes:

- 67x245 cm (WxL)
- 160x235 cm (WxL)
- 200x295 cm (WxL)

Height: 11 mm

ITEM CODE	GTIN-CODE	ITEM NAME		
6000013	8718548019089	CARPET SHISHA 67x245 DESERT		
6000014	8718548019096	CARPET SHISHA 160x235 DESERT		
6000015	8718548019102	CARPET SHISHA 200x295 DESERT		
6000016	8718548019119	CARPET SHISHA 67x245 CAVE		
6000017	8718548019126	CARPET SHISHA 160x235 CAVE		
6000018	8718548019133	CARPET SHISHA 200x295 CAVE		
6000019	8718548019140	CARPET SHISHA 67x245 FOREST		
6000020	8718548019157	CARPET SHISHA 160x235 FOREST		
6000021	8718548019164	CARPET SHISHA 200x295 FOREST		
PACKING	1 PCS/CTN			
SIZE	PACKING SIZE (CM)	CBM	NW (KG)	GW (KG)
67x245	82x20 (L x Ø)	0,02	4,583	4,72
160x235	175x23 (L x Ø)	0,05	10,488	10,8
200x295	220x25 (L x Ø)	0,09	16,53	16,86
PRICE 67 (1 PCS)		RETAIL	€ 129,-	
PRICE 160 (1 PCS)		RETAIL	€ 299,-	
PRICE 200 (1 PCS)		RETAIL	€ 479,-	



desert

cave

forest

Note: This carpet has a soft pile. It can assume darker or lighter shades when it is walked on or vacuum cleaned. Colour variations may also appear when viewing the rug from different angles.



Indian Block carpet

Block printing was traditionally used on cotton cloth. But techniques and fabrics developed and nowadays it can also be applied to thicker, sturdier fabric. Like our fabulous rug Indian Block carpet. The stamp was made by an artisan carpenter who hand carved the wooden blocks. Thereafter the print was hand stamped on the rugs. Carpet Indian Block comes in two colours; A vibrant yellow and a distinguished grey, matching colours that go very well with our other block printed items.

100% cotton, block printed by hand
 Dimensions: 120x180 cm (WxL)
 Height: 3 mm



ITEM CODE	GTIN-CODE	ITEM NAME		
6000028	8718548019973	CARPET INDIAN BLOCK 120X180 YELLOW		
6000029	8718548019980	CARPET INDIAN BLOCK 120X180 GREY		
PACKING	4 PCS/CTN	ORDER QTY: 4 PCS		
QTY	CTN SIZE (CM)	CBM	NW (KG)	GW (KG)
4	65x50x12	0,039	8,4 (4X2,1)	9,4
PRICE (1 PCS)		RETAIL	€ 89,-	



Rural carpet

This light weight carpet with its satisfying worn look can fit in anywhere in the house. We came across a weaver in India who was able to give this woven rug its sanded look. We chose a pattern, we picked a few colours of the earth and a playful fringe for the perfect finishing touch. Rural's size, 120x180 centimeters, makes it the ideal all-over-the-house kind of carpet. Actually we got so excited about Rural that we decided to add a throw pillow. To complete the look and because we couldn't get enough of it..

Hand-woven carpet with printed dessin
 80% jute, 20% cotton
 Dimensions: 120x180 cm (WxL)
 Height: 3 mm



ITEM CODE	GTIN-CODE	ITEM NAME		
6000062	8718548024458	CARPET RURAL 120X180		
PACKING	4 PCS/CTN	ORDER QTY: 4 PCS		
QTY	CTN SIZE (CM)	CBM	NW (KG)	GW (KG)
4	65x50x12	0,039	10,8 (4x2,7)	11,8
PRICE (1 PCS)		RETAIL	€ 99,-	



**LIGHTEN UP!
PLENTY OF CHOICES.**



tout
est
possible



Arabica floor lamp

It happens more often at Dutchbone that we are so pleased with a particular detail in a design, we really want to use it again. Can you blame us? Look at these legs! The odd one included. After introducing side table Arabica, those legs kept tempting us to be used in a tripod floor lamp. But only when we found a shade special enough, did we give in. This shade is made out of paper. Made into veneer and woven in a sturdy construction. Oh, bliss!

Knockdown woven paper veneer shade with velcro
 Solid beech legs with walnut colour finish
 Black PVC cable with foot on/off switch
 Wire length: 215 cm
 Light source: E27, max. 32 watt savings
 Energy efficiency class: A++ - E (Energylabel 1)



ITEM CODE	GTIN-CODE	ITEM NAME		
5100046	8718548025707	FLOOR LAMP ARABICA		
PACKING	1 PCS/CTN			
QTY	CTN SIZE (CM)	CBM	NW (KG)	GW (KG)
1	143x55x16	0,1	4	8
PRICE (1 PCS)		RETAIL	€ 269,-	



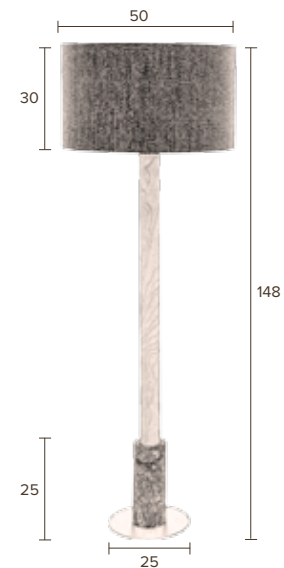


Memphis floor lamp

For Memphis we were inspired by the Memphis style from the eighties. With its bold forms and material combinations, this style is still attractive. For floor lamp Memphis we took the best of both worlds, forms and materials from the eighties mixed with contemporary colours. Memphis has a sturdy marble foot and a rattan veneer braided shade.

Knockdown woven rattan veneer shade with velcro
 Iron body with walnut veneer, Ø 6,1 cm
 Marble foot, Ø 10 cm
 Iron base
 Black PVC cable with foot on/off switch
 Wire length: 183 cm
 Light source: E27, max. 32 watt savings
 Energy efficiency class: A++ - E (Energylabel 1)

ITEM CODE	GTIN-CODE	ITEM NAME		
5100052	8718548026520	FLOOR LAMP MEMPHIS		
PACKING	1 PCS/CTN			
QTY	CTN SIZE (CM)	CBM	NW (KG)	GW (KG)
1	97x53x15	0,077	8,8	11,4
PRICE (1 PCS)		RETAIL	€ 299,-	





Rif floor lamp

Rif is a classic and stylish three legged floor lamp. Rif is a beautiful combination of just the right details and good proportions. The perfectly balanced, fabric lampshade is supported by three sturdy dark wooden legs. We have cleverly hidden the power cord in one of the three legs for an uninterrupted design. The shade softens the light just enough to create a warm and yet functional lighting.

Conical cotton shade

Solid rubberwood tripod base in walnut colour finish

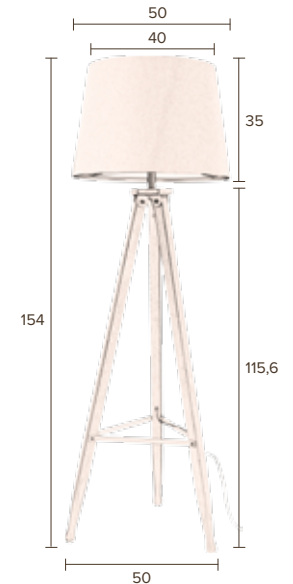
Black PVC cable with foot on/off switch

Wire length: 196 cm

Light source: E27, max. 32 watt savings

Energy efficiency class: A++ - E (Energylabel 1)

ITEM CODE	GTIN-CODE	ITEM NAME		
5100041	8718548022089	FLOOR LAMP RIF		
PACKING	1 PCS/CTN			
QTY	CTN SIZE (CM)	CBM	NW (KG)	GW (KG)
1	120x54x15,5	0,1	4,5	7,6
PRICE (1 PCS)		RETAIL	€ 239,-	



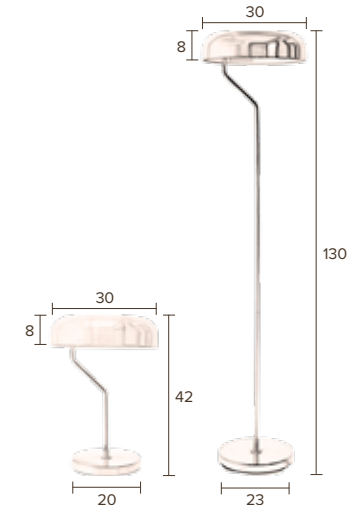


Eclipse floor and table lamp

Eclipse sheds an iconic silhouette next to your lazy armchair or on your table or desk, casting its light into otherwise dark corners. The brass shade of Eclipse adds a touch of warm light to everyday tasks and its slender foot creates an elegant impression without trying too hard. A natural beauty is born!

Iron, brushed brass plated
 Black textured cable with on/off switch
 Wire length: 183 cm (floor), 160 cm (desk)
 Dimensions base (desk): 20x2,5 cm (Ø x H)
 Dimensions base (floor): 23x2,5 cm (Ø x H)
 Light source: E27, max. 15 watt savings
 Energy efficiency class: A++ - E (Energylabel 1)

ITEM CODE	GTIN-CODE	ITEM NAME		
5100051	8718548026490	FLOOR LAMP ECLIPSE BRASS		
PACKING	1 PCS/CTN, 2PCS/MASTERCTN			
QTY	CTN SIZE (CM)	CBM	NW (KG)	GW (KG)
1	35x14x50	0,025	4	5,1
2	52x37x30,5	0,06	7,9	10,9
PRICE (1 PCS)		RETAIL	€ 139,-	
ITEM CODE	GTIN-CODE	ITEM NAME		
5200025	8718548026506	DESK LAMP ECLIPSE BRASS		
PACKING	2 PCS/CTN ORDER QTY: 2 PCS			
QTY	CTN SIZE (CM)	CBM	NW (KG)	GW (KG)
1	34x13x41	0,018	2,28	3,03
2	42,5x35,5x28	0,042	4,56	7,01
PRICE (1 PCS)		RETAIL	€ 99,-	





Patt floor lamp

Floor lamp Patt is full of contradictions. It is slender, yet sturdy. Retro, yet modern. It has three legs, but it is not a tripod! Patt allows a fair amount of user interaction. By tilting, shifting and repositioning the frame and shade Patt brings light exactly where it's wanted. The frame is made from a combination of black iron and matt brass, which makes Patt 'très chique'.

Black powder coated iron shade & base, with brass details

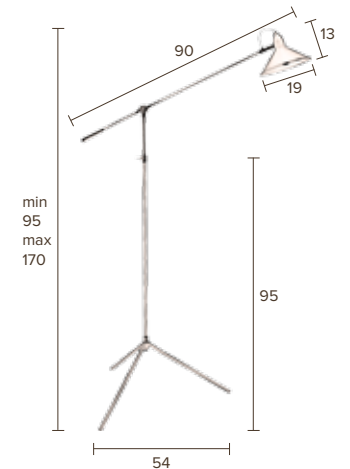
Adjustable in height and (shade) direction

Black PVC cable with cord on/off switch

Wire length: 183 cm

Light source: E14, max. 25 watt regular bulb, max. 9 watt savings

Energy efficiency class: A++ - E (Energylabel 1)



ITEM CODE	GTIN-CODE	ITEM NAME		
5100045	8718548024793	FLOOR LAMP PATT		
PACKING	1 PCS/CTN			
QTY	CTN SIZE (CM)	CBM	NW (KG)	GW (KG)
1	94x31,5x28	0,083	2,8	4,36
PRICE (1 PCS)		RETAIL	€ 199,-	



Patt wall lamp

Sometimes your wall needs a grand gesture. Then our wall lamp Patt is your savior. This very elegant and pretty wall lamp, asks for just the right attention and is never in your face. If it accidentally is, you can rapidly adjust it since the arm and the shade are easily repositioned.

Black powder coated iron shade, arm & wall mount with brass details

Adjustable in height and (shade) direction

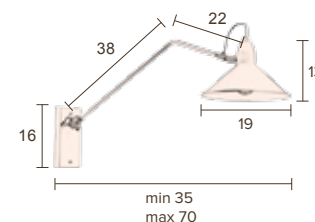
Dimensions wall mount: 7x2,5x16 cm (WxDxH)

Light source: E14, max. 25 watt regular bulb, max. 9 watt savings

Energy efficiency class: A++ - E (Energylabel 1)



ITEM CODE	GTIN-CODE	ITEM NAME			
5400002	8718548024786	WALL LAMP PATT			
PACKING	1 PCS/CTN				
QTY	CTN SIZE (CM)	CBM	NW (KG)	GW (KG)	
1	69x31,5x25	0,054	0,85	2,2	
PRICE (1 PCS)		RETAIL	€ 119,-		



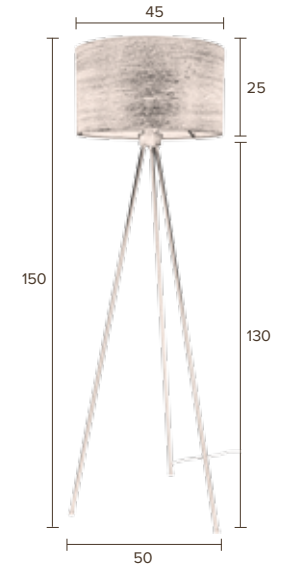
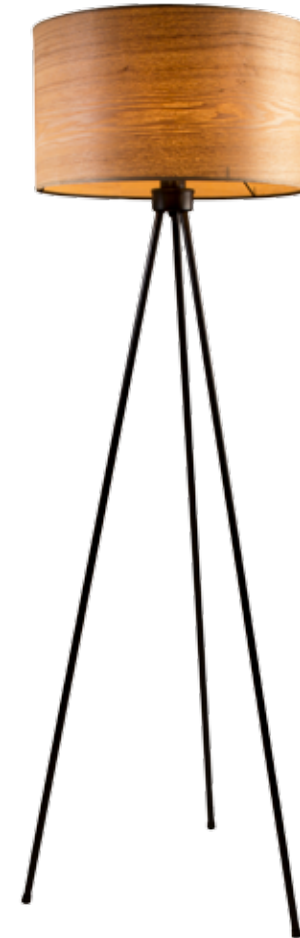


Woodland floor lamp

When one travels around the world, shopping for inspiration for new materials, styles and products, ideas for unconventional combinations can suddenly pop up. Our design team decided to combine light and wood veneer. Ash wood turned out to give the best results in bending and emitted light colour. We gave floor lamp Woodland a graceful, slender yet sturdy tripod base made of black steel. Floor lamp Woodland also comes in a table lamp version.

Ash wood veneered shade
 Black lacquered iron tripod base
 Black PVC cable with foot on/off switch
 Wire length: 200 cm
 Light source: E27, max. 13 watt savings
 Energy efficiency class: A++ - E (Energylabel 1)

ITEM CODE	GTIN-CODE	ITEM NAME		
5100032	8718548019836	FLOOR LAMP WOODLAND		
PACKING	1 PCS/CTN			
QTY	CTN SIZE (CM)	CBM	NW (KG)	GW (KG)
1	47x47x30	0,07	1,8	3,8
PRICE (1 PCS)		RETAIL	€ 119,-	



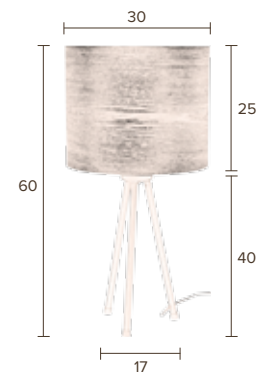


Woodland table lamp

When one travels around the world, shopping for inspiration for new materials, styles and products, ideas for unconventional combinations can suddenly pop up. Our design team decided to combine light and wood veneer. Ash wood turned out to give the best results in bending and emitted light colour. We gave table lamp Woodland a graceful, slender yet sturdy tripod base made of black steel. Table lamp Woodland also comes in a floor lamp version.

Ash wood veneered shade
 Black lacquered iron tripod base
 Black PVC cable with on/off switch
 Wire length: 150 cm
 Light source: E27, max. 13 watt savings
 Energy efficiency class: A++ - E (Energylabel 1)

ITEM CODE	GTIN-CODE	ITEM NAME		
5200011	8718548019829	TABLE LAMP WOODLAND		
PACKING	1 PCS/CTN			
QTY	CTN SIZE (CM)	CBM	NW (KG)	GW (KG)
1	33x33x30	0,03	1	1,8
PRICE (1 PCS)		RETAIL	€ 79,-	



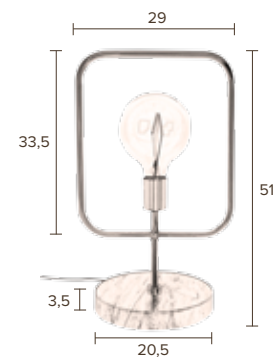


Cubo table lamp

It is not Dutchbone, but the owner who will ultimately decide what look Table Lamp Cubo will have and add to their interior. Because they will pick the light source, and that light source obviously plays a major part in Cubo's design, with its matt brass silhouette shade. We think it should be a LED-bulb with a vintage look. But that is just a hint, because we don't want to interfere with anyone's design fun.

Iron shade, brass colour finish
 Polished black marble base, 20,5x3,5 cm (Ø x H)
 210 cm black textured cable, with cord on/off switch
 Light source: E27, max. 40 watt regular bulb,
 max. 13 watt savings, max. 15 watt LED
 Energy efficiency class: A++ - E (Energylabel 1)

ITEM CODE	GTIN-CODE	ITEM NAME		
5200028	8718548029644	TABLE LAMP CUBO		
PACKING	1 PCS/CTN			
QTY	CTN SIZE (CM)	CBM	NW (KG)	GW (KG)
1	35x31x62	0,067	3,34	4,9
PRICE (1 PCS)		RETAIL	€ 109,-	

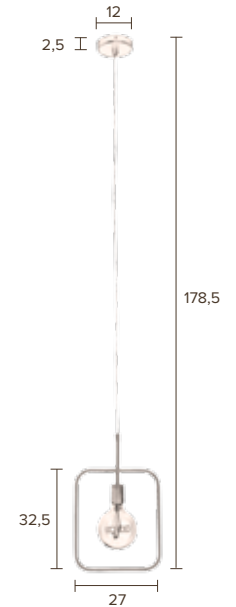




Cubo pendant lamp

Cubo is a pendant lamp brought back to its essence. Cubo is an example of the art of omission. The matt brass pendant leaves room for a LED-bulb with a modern or even a vintage look to shine. So how pendant lamp Cubo by Dutchbone will light up your room, is entirely up to you. What bulb will you choose?

Iron shade, brass colour finish
 Iron canopy, black powder coated, 12x2,5 cm (Ø x H)
 170 cm black textured cable, adjustable in height
 Light source: E27, max. 40 watt regular bulb,
 max. 13 watt savings, max. 15 watt LED
 Energy efficiency class: A++ - E (Energylabel 1)



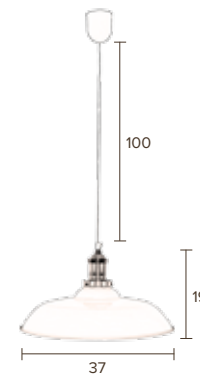
ITEM CODE	GTIN-CODE	ITEM NAME		
5300101	8718548029613	PENDANT LAMP CUBO		
PACKING	4 PCS/CTN	ORDER QTY: 4 PCS		
QTY	CTN SIZE (CM)	CBM	NW (KG)	GW (KG)
1	31x11x48	0,016	0,85	1,35
4	49x35x54	0,093	3,38	6,9
PRICE (1 PCS)		RETAIL	€ 79,-	



Core pendant lamp

Pendant Lamp Core is the result of a study in simplicity and elegance. The metal shade is inspired by a 20th century classic, on which the brass socket works like an adornment. Pendant Lamp Core comes in three fine colours.

Iron shade, powder coated
 Brass lamp socket
 Plastic canopy, 7x7,5 cm (Ø x H)
 PVC cable, adjustable in height
 Wire length: 100 cm
 Light source: E27, max. 40 watt regular bulb,
 max. 13 watt savings
 Energy efficiency class: A++ - E (Energylabel 1)



ITEM CODE	GTIN-CODE	ITEM NAME		
5300068	8718548024809	PENDANT LAMP CORE BLACK		
5300069	8718548024823	PENDANT LAMP CORE WHITE		
5300070	8718548024847	PENDANT LAMP CORE BLUE GREY		
PACKING	2 PCS/CTN	ORDER QTY: 2 PCS		
QTY	CTN SIZE (CM)	CBM	NW (KG)	GW (KG)
1	42x42x15	0,026	1,3	1,75
2	44x44,5x32	0,063	2,6	4,75
PRICE (1 PCS)		RETAIL	€ 99,-	



Sally pendant lamp

Pendant lamp Sally is inspired by antique lamps that were commonly found in warehouses and barns in Northern America. Pendant lamp Sally is a chic version of the barn lamp. She will shed light on your table, workspace, kitchen counter or wherever you want to hang this beauty.

Iron shade, glossy powder coated in black (yellow inside) or grey (grey inside)
 Powder coated iron canopy, 12x2,5 cm (Ø x H)
 170 cm black textured cable, adjustable in height
 Light source: E27, max. 40 watt regular bulb, max. 13 watt savings, max. 15 watt LED
 Energy efficiency class: A++ - E (Energylabel 1)

ITEM CODE	GTIN-CODE	ITEM NAME		
5300097	8718548029538	PENDANT LAMP SALLY BLACK		
5300098	8718548029552	PENDANT LAMP SALLY GREY		
PACKING	4 PCS/CTN	ORDER QTY: 4 PCS		
QTY	CTN SIZE (CM)	CBM	NW (KG)	GW (KG)
1	36x35x23	0,029	1,25	2
4	39x50x75	0,146	5	10,15
PRICE (1 PCS)		RETAIL	€ 69,-	

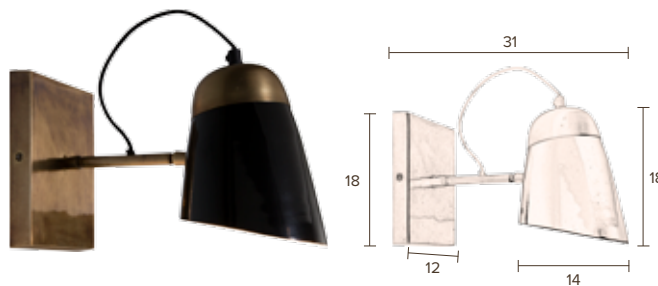




Old School wall lamp

For Old School, we were inspired by 20th century bedside fixtures. But the combination of brass and black metal works like a time machine and gives Old School its satisfying modern time touch. Another modern touch: Wall lamp Old School, has an adjustable shade and arm, so you can direct the light where you need it.

Glossy black powder coated iron shade
 Shade top, arm & cast aluminium wall mount in brass colour finish
 Adjustable in height and (shade) direction
 Light source: E14, max. 25 watt regular bulb, max. 12 watt savings
 Energy efficiency class: A++ - E (Energylabel 1)

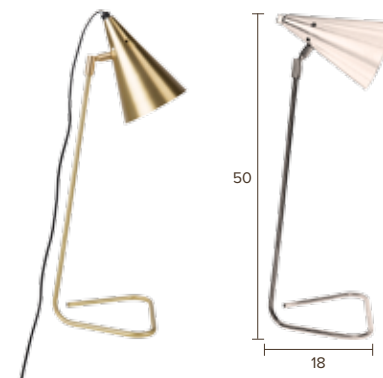


ITEM CODE	GTIN-CODE	ITEM NAME		
5400003	8718548025103	WALL LAMP OLD SCHOOL		
PACKING	1 PCS/CTN			
QTY	CTN SIZE (CM)	CBM	NW (KG)	GW (KG)
1	35x21x21	0,02	0,9	1,8
PRICE (1 PCS)		RETAIL	€ 79,-	

Brasser table lamp

The Dutchbone Design team immediately fell for the elegant thin lines of this solid brass table lamp. Imagine how this sophisticated table lamp will lighten up your desk...

Solid brass shade & base
 Tilttable shade
 Black PVC cable with cord on/off switch
 Wire length: 180 cm
 Light source: E14, max. 25 watt regular bulb, max. 9 watt savings
 Energy efficiency class: A++ - E (Energylabel 1)



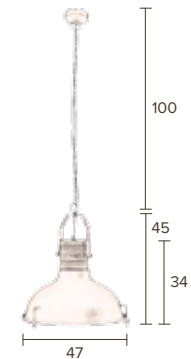
ITEM CODE	GTIN-CODE	ITEM NAME		
5200020	8718548024762	TABLE LAMP BRASSER		
PACKING	4 PCS/CTN	ORDER QTY: 4 PCS		
QTY	CTN SIZE (CM)	CBM	NW (KG)	GW (KG)
1	18,5x19,5x51	0,018	0,58	0,98
4	41x53x39	0,085	2,32	5,1
PRICE (1 PCS)		RETAIL	€ 129,-	



Raw pendant lamp

Pendant lamp Raw is created with precise attention to detail. We gave the industrial looking shade a soft touch by adding the wooden detail to the top. This pleasant contrast is what gives Pendant lamp Raw the quality of a real original classic.

Iron shade, black powder coated,
with raster and mango wood top
Iron canopy, 11,5x2,5 cm (Ø x H)
PVC cable and metal chain, adjustable in height
Wire length: 100 cm
Light source: E27, max. 40 watt regular bulb,
max. 13 watt savings
Energy efficiency class: A++ - E (Energylabel 1)



ITEM CODE	GTIN-CODE	ITEM NAME		
5300072	8718548025080	PENDANT LAMP RAW		
PACKING	1 PCS/CTN			
QTY	CTN SIZE (CM)	CBM	NW (KG)	GW (KG)
1	50x53x53	0,14	4,25	6,93
PRICE (1 PCS)		RETAIL	€ 119,-	



Brass Mania pendant lamp

It is amazing how far a craftsman and a sheet of metal can take you! Look at pendant lamp Brass Mania for instance. This antique brass shade represents the latest in material and style trends. It shines in all its simplicity. We took some characteristics from the barn light and mixed it with a more feminine shape. Our artisan added a black textile cable for further perfection. BAM! Another amazing pendant lamp!

Iron shade, brass colour finish outside,
pearly white finish inside

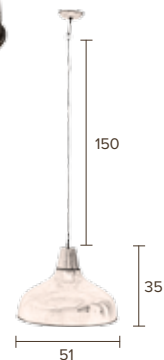
Iron canopy, brass colour finish, 13x3 cm (Ø x H)

Black textured cable, adjustable in height

Wire length: 150 cm

Light source: E27, max. 40 watt regular bulb,
max. 15 watt savings

Energy efficiency class: A++ - E (Energylabel 1)



ITEM CODE	GTIN-CODE	ITEM NAME		
5300076	8718548025134	PENDANT LAMP BRASS MANIA		
PACKING	1 PCS/CTN			
QTY	CTN SIZE (CM)	CBM	NW (KG)	GW (KG)
1	55x55x46	0,14	2,5	4,8
PRICE (1 PCS)		RETAIL	€ 169,-	



Brass Freak pendant lamp

With pendant lamp Brass Freak we re-interpreted the renowned barn lamp. In this case we did so, by rendering the curves and obviously used shiny brass instead of plain metal. The advantage of using brass is in the natural patina, which will develop overtime. Getting even better with age and use. Another advantage of a brass shade, is the warm glow it adds to the light emitted.

Iron shade, brass colour finish outside,
pearly white finish inside

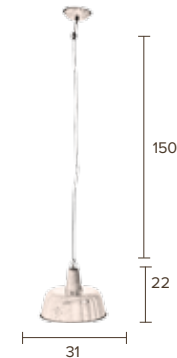
Iron canopy, brass colour finish, 13x3 cm (Ø x H)

Black textured cable, adjustable in height

Wire length: 150 cm

Light source: E27, max. 40 watt regular bulb,
max. 15 watt savings

Energy efficiency class: A++ - E (Energylabel 1)



ITEM CODE	GTIN-CODE	ITEM NAME		
5300077	8718548025141	PENDANT LAMP BRASS FREAK		
PACKING	1 PCS/CTN			
QTY	CTN SIZE (CM)	CBM	NW (KG)	GW (KG)
1	35x35x38	0,05	1,2	3
PRICE (1 PCS)		RETAIL	€ 86,-	



Drop pendant lamp

Whilst designing we always ask ourselves: 'Will this new product really add something to peoples interiors?' At Dutchbone, nothing goes into production without a loud 'Yes' to that question. Pendant lamp Drop Glass also got a big 'Yes' to the question: 'Will this item be a conversation piece?'

We 'dropped' a beautiful glass bowl over a beautiful piece of sculpted mango wood. The textile cable is the finishing touch.

Ribbed glass shade

Mango wood lamp holder

Iron canopy, nickle colour finish, 13x3 cm (Ø x H)

Black and white textured cable, adjustable in height

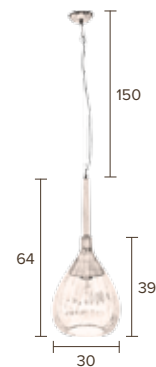
Wire length: 150 cm

Light source: E27, max. 40 watt regular bulb,

max. 15 watt savings

Energy efficiency class: A++ - E (Energylabel 1)

ITEM CODE	GTIN-CODE	ITEM NAME		
5300073	8718548025097	PENDANT LAMP DROP GLASS		
PACKING	1 PCS/CTN			
QTY	CTN SIZE (CM)	CBM	NW (KG)	GW (KG)
1	37x37x59	0,08	2,7	5
PRICE (1 PCS)		RETAIL	€ 139,-	





Gabe pendant lamp

Be prepared, because pendant lamp Gabe will make you stare in amazement. It's like a lamp from the future. First of all, it doesn't seem to have a light source. Second of all, you can hang it everywhere, anywhere and all over. The secret involves a super efficient LED light and a battery! Hang Gabe under your parasol, awning and porch. Use it on the campsite and at the beach and especially in that awkward dark corner in your house. Did you notice how we use 'and' and not 'or' in those choices? That's right: You might want to come and pick up several Gabes. They come in Small and Medium and like to shine in groups.

Ribbed glass shade
 Iron lid and chain in rusty finish
 Light source: 0,06 watt LED, not replaceable
 Batteries: 2x AA (not included)



ITEM CODE	GTIN-CODE	ITEM NAME		
5300079	8718548025349	PENDANT LAMP GABE S		
PACKING	4 PCS/CTN	ORDER QTY: 4 PCS		
QTY	CTN SIZE (CM)	CBM	NW (KG)	GW (KG)
1	16,5x16,5x26	0,007	0,65	0,87
4	34,5x34,5x28	0,033	2,6	4
PRICE (1 PCS)		RETAIL	€ 29,90	

ZUIVER-CODE	GTIN-CODE	ITEM NAME		
5300080	8718548025356	PENDANT LAMP GABE M		
PACKING	2 PCS/CTN	ORDER QTY: 2 PCS		
QTY	CTN SIZE (CM)	CBM	NW (KG)	GW (KG)
1	21,5x21,5x32	0,015	1,5	1,85
2	44,5x23x34	0,035	3	4,3
PRICE (1 PCS)		RETAIL	€ 34,90	



Wood Top pendant lamp

It takes true craftsmanship to combine durability, style and quality to create a new classic. Pendant lamp Wood Top got that professional treatment and thus a classic was born. We called it Wood Top. We started with two iron shades. One has an antique brass look, the other one has a matt black finish. We added a turned wood mango top and a textile cable. Now it is up to you to take your pick. And we wish you good luck with that, because we know that isn't easy....

Iron shade, with brass or black colour finish with mango wood top

Iron canopy, 13x3 cm (Ø x H)

Black textured cable and metal chain, adjustable in height

Wire length: 150 cm

Light source: E27, max. 40 watt regular bulb, max. 15 watt savings

Energy efficiency class: A++ - E (Energylabel 1)

ITEM CODE	GTIN-CODE	ITEM NAME		
5300074	8718548025110	PENDANT LAMP WOOD TOP BRASS		
5300075	8718548025127	PENDANT LAMP WOOD TOP BLACK		
PACKING	1 PCS/CTN			
QTY	CTN SIZE (CM)	CBM	NW (KG)	GW (KG)
1	32x32x56	0,057	2,3	4,2
PRICE BRASS (1 PCS)		RETAIL	€ 89,-	
PRICE BLACK (1 PCS)		RETAIL	€ 85,-	



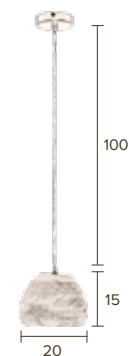


Woody pendant lamp

Each pendant lamp Woody is made out of a number of mango wood segments. They are first brought together and then formed by the woodturner into its final shape. This process, which requires fine craftsmanship, ensures that every pendant lamp Woody is blessed with a wonderful variation in grain and colour. This is due to the differences found in each separate segment of mango wood.

Mango wood shade, natural lacquered
 Iron canopy, 13x3 cm (Ø x H)
 Black textured cable, adjustable in height
 Wire length: 100 cm
 Light source: E14, max. 25 watt regular bulb,
 max. 9 watt savings
 Energy efficiency class: A++ - E (Energylabel 1)

ITEM CODE	GTIN-CODE	ITEM NAME		
5300071	8718548025066	PENDANT LAMP WOODY		
PACKING	4 PCS/CTN	ORDER QTY: 4 PCS		
QTY	CTN SIZE (CM)	CBM	NW (KG)	GW (KG)
1	23x21x21	0,01	0,845	1,44
4	27x45x46	0,056	3,38	7,1
PRICE (1 PCS)		RETAIL	€ 39,-	

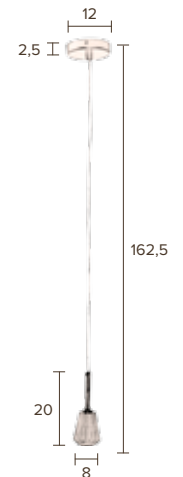




Sura pendant lamp

Solid Sheesham wood combined with a golden rod which guides a black textile cord to the lamp fitting. The beauty of pendant lamp Sura is in the materials. Only thing left to do is to imagine a lot of Suras in a row above a countertop or table...

Solid sheesham wood lamp holder with brass top
 Iron canopy, matt black powder coated, 12x2,5 cm (Ø x H)
 170 cm black textured cable, adjustable in height
 Light source: E27, max. 40 watt regular bulb,
 max. 13 watt savings, max. 15 watt LED
 Energy efficiency class: A++ - E (Energylabel 1)



ITEM CODE	GTIN-CODE	ITEM NAME		
5300099	8718548029576	PENDANT LAMP SURA		
PACKING	4 PCS/CTN	ORDER QTY: 4 PCS		
QTY	CTN SIZE (CM)	CBM	NW (KG)	GW (KG)
1	14x14x24	0,005	0,55	0,8
4	30x30x25	0,023	2,2	3,5
PRICE (1 PCS)		RETAIL	€ 39,50	



Solo pendant lamp

Pendant lamp Solo is small in size but big on style. The lamp socket is covered with a solid piece of Sheesham wood in an elegant shape. Solo is a minimalistic design, but with high standards: use a good looking bulb for this pretty pendant!.....

Solid sheesham wood lamp holder with brass top
 Iron canopy, matt black powder coated, 12x2,5 cm (Ø x H)
 170 cm black textured cable, adjustable in height
 Light source: E27, max. 40 watt regular bulb,
 max. 13 watt savings, max. 15 watt LED
 Energy efficiency class: A++ - E (Energylabel 1)



ITEM CODE	GTIN-CODE	ITEM NAME		
5300100	8718548029590	PENDANT LAMP SOLO		
PACKING	4 PCS/CTN	ORDER QTY: 4 PCS		
QTY	CTN SIZE (CM)	CBM	NW (KG)	GW (KG)
1	14x14x15	0,003	0,52	0,7
4	31x31x20	0,019	2,2	3,2
PRICE (1 PCS)		RETAIL	€ 39,50	



Kecil pendant lamp

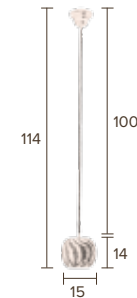
Pendant lamp Kecil is an exquisite perforated dark metal bulb. When switched on, the light shines through the carefully made, open pattern. This pattern creates a spectacular light effect on ceilings and walls. Kecil's wire is wrapped with rope and its inside is orange for an even warmer light effect.

Tip: make a combination of several Kecils for a stunning look.

Hand embossed iron shade, powder coated
 Greyish black outside, orange inside
 Black powder coated iron canopy, 10x5 cm (Ø x H)
 Black PVC cable, covered in natural jute
 Wire length: 100 cm
 Light source: E14, max. 5 watt savings
 Energy efficiency class: A++ - E (Energylabel 1)



ITEM CODE	GTIN-CODE	ITEM NAME		
5300054	8718548019850	PENDANT LAMP KECIL		
PACKING	4 PCS/CTN	ORDER QTY: 4 PCS		
QTY	CTN SIZE (CM)	CBM	NW (KG)	GW (KG)
1	17,5x17,5x27	0,008	0,7	0,95
4	38x38x30	0,043	2,8	5,5
PRICE (1 PCS)		RETAIL	€ 29,90	





Besar pendant lamp

Pendant Lamp Besar looks like an old barrel which we transformed into a sturdy pendant lamp. The used metal and worn look contributes to its rough appearance. For an extra touch of style this huge lamp is suspended from a wire wrapped with rope.

Handmade iron shade & canopy, 10x6,5 cm (Ø x H)

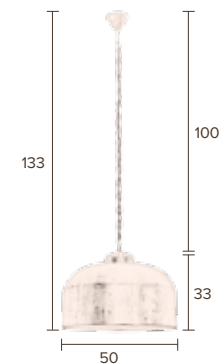
Finished in rust patina lacquer

Black PVC cable, covered in natural jute

Wire length: 100 cm

Light source: E27, max. 15 watt savings

Energy efficiency class: A++ - E (Energylabel 1)



ITEM CODE	GTIN-CODE	ITEM NAME		
5300053	8718548019843	PENDANT LAMP BESAR		
PACKING	1 PCS/CTN			
QTY	CTN SIZE (CM)	CBM	NW (KG)	GW (KG)
1	56x56x46	0,144	4,225	8,06
PRICE (1 PCS)		RETAIL	€ 149,-	



Tan pendant lamp

We felt the urge to add the Dutchbone Tan lamp to our collection. Why? Because we sometimes feel that light sockets are a bit underrated. So for Tan we went back to the basics of a lamp. We took a magnifier and zoomed in on this particular part.

What followed was Dutchbone's Tan pendant lamp. Look at the beauty of this woven rattan socket! It fits perfectly with the interior trend of bringing nature into the home. Green, wood, rattan and Dutchbone Tan, need we say more?

Braided rattan lamp holder in natural or black, on iron wire frame

Black iron canopy, 12x2,5 cm (Ø x H)

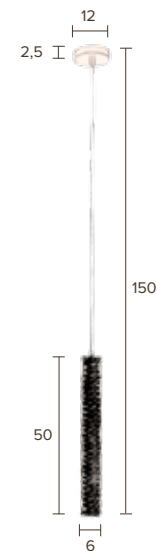
100 cm black PVC cable, adjustable in height

Light source: E27, max. 40 watt regular bulb,

max. 13 watt savings, max. 5 watt LED

Energy efficiency class: A++ - E (Energylabel 1)

ITEM CODE	GTIN-CODE	ITEM NAME		
5300107	8718548031562	PENDANT LAMP TAN NATURAL		
5300108	8718548031579	PENDANT LAMP TAN BLACK		
PACKING	1 PCS/CTN, 30 PCS/MASTERCTN			
QTY	CTN SIZE (CM)	CBM	NW (KG)	GW (KG)
1	14x14x55,5	0,011	0,4	0,55
30	91x57,5x75	0,392	12	19,5
PRICE (1 PCS)		RETAIL	€ 49,50	





Boo pendant lamp

During our trips around the world looking for inspiration, we sometimes run into a product that we instantly fall in love with. We fell in love with Dutchbone Boo lamp at very first sight. Boo is a beautiful handcrafted lighting fixture made by talented craftsmen in Asia.

The bamboo strips are braided with a lot of precision and create a stunning shadow on the wall. Bring the outside in and enjoy the magical feeling Boo adds to your interior. Dutchbone Boo is available in natural and black.

Braided bamboo lamp holder and shade, in natural or black, on iron wire frame
 Black iron canopy, 12x2,5 cm (Ø x H)
 85 cm black PVC cable, adjustable in height
 Light source: E27, max. 40 watt regular bulb, max. 13 watt savings, max. 5 watt LED
 Energy efficiency class: A++ - E (Energylabel 1)

ITEM CODE	GTIN-CODE	ITEM NAME		
5300109	8718548031586	PENDANT LAMP BOO NATURAL		
5300110	8718548031593	PENDANT LAMP BOO BLACK		
PACKING	1 PCS/CTN, 6 PCS/MASTERCTN			
QTY	CTN SIZE (CM)	CBM	NW (KG)	GW (KG)
1	23x23x76	0,04	1,08	1,43
6	78x48x72,5	0,271	6,48	12
PRICE (1 PCS)		RETAIL	€ 59,50	

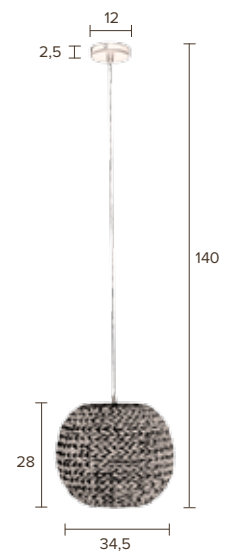




Nana pendant lamp

We're obsessed by banana leaves. Not only as a botanical print, but also the tropical feeling that comes along with it. We brought this feeling back in the Dutchbone Nana lamp. Dried banana leaves used for braiding give you a taste of Eastern culture. Combine this round Dutchbone Nana lamp in your interior with materials like wood, glass and antique brass. Create the ultimate Dutchbone atmosphere: a relaxing oriental ambience.

Braided banana leaves shade on iron wire frame
 Black iron canopy, 12x2,5 cm (Ø x H)
 110 cm black PVC cable, adjustable in height
 Light source: E27, max. 40 watt regular bulb, max. 13 watt savings, max. 5 watt LED
 Energy efficiency class: A++ - E (Energylabel 1)



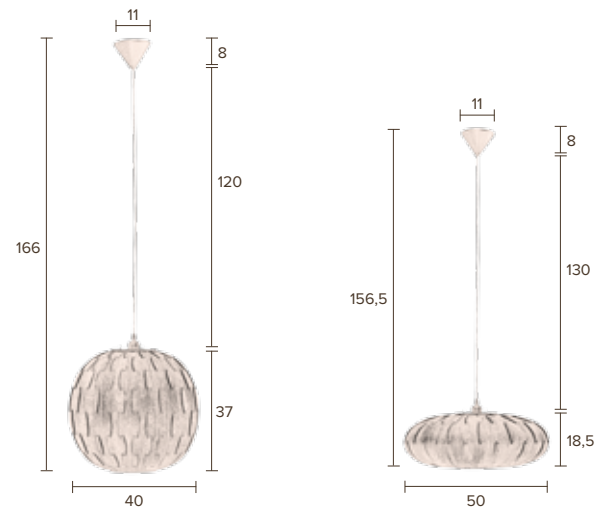
ITEM CODE	GTIN-CODE	ITEM NAME			
5300104	8718548031531	PENDANT LAMP NANA			
PACKING	1 PCS/CTN, 6 PCS/MASTERCTN				
QTY	CTN SIZE (CM)	CBM	NW (KG)	GW (KG)	
1	35,5x35,5x32	0,04	1,08	1,5	
6	99,5x37,5x73	0,272	6,48	11,5	
PRICE (1 PCS)		RETAIL	€ 59,50		



Bond pendant lamp

When one travels around the world, shopping for inspiration for new materials, styles and products, ideas for unconventional combinations can suddenly pop up. That is what happened with pendant lamp Bond. Our design team decided to combine light and wood veneer. Ash wood turned out to give the best results in bending and emitted light colour. Pendant lamp Bond consist of interlocking strips of veneer, which gives it its textured surface. Bond comes in two forms; round and oval.

Ash wood veneer strokes shade
 ABS plastic canopy, 11x8 cm (Ø x H)
 Black textured cable, adjustable in height
 Visible wire length: 120 cm (round), 130 cm (oval)
 Light source: E27, max. 13 watt savings
 Energy efficiency class: A++ - E (Energylabel 1)



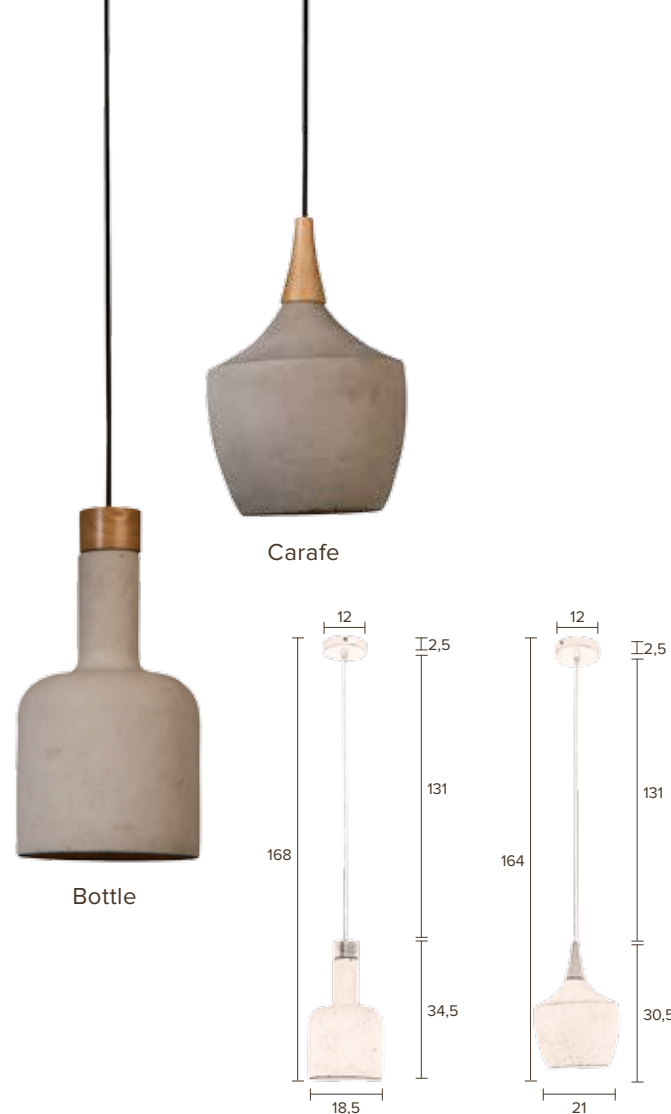
ITEM CODE	GTIN-CODE	ITEM NAME		
5300050	8718548019799	PENDANT LAMP BOND ROUND		
5300051	8718548019805	PENDANT LAMP BOND OVAL		
PACKING	1 PCS/CTN			
SIZE	CTN SIZE (CM)	CBM	NW (KG)	GW (KG)
ROUND	42x42x42	0,074	0,65	2,5
OVAL	52x52x21	0,057	0,5	2,1
PRICE ROUND (1 PCS)		RETAIL	€ 119,-	
PRICE OVAL (1 PCS)		RETAIL	€ 139,-	



Cradle pendant lamp

Our designers travel to international design fairs several times a year. In all these design laden cities, concrete was the up and coming material. We combined concrete with solid wood for an extra contemporary Dutchbone touch. Cradle comes in two different shapes, both elegant versions.

Concrete shade with solid ashwood top
 Black lacquered iron canopy, 12x2,5 cm (Ø x H)
 Black textured cable, adjustable in height
 Visible wire length: ca. 131 cm
 Light source: E27, max. 13 watt savings
 Energy efficiency class: A++ - E (Energylabel 1)



ITEM CODE	GTIN-CODE	ITEM NAME		
5300048	8718548019775	PENDANT LAMP CRADLE BOTTLE		
5300049	8718548019782	PENDANT LAMP CRADLE CARAFE		
PACKING	1 PCS/CTN			
SIZE	CTN SIZE (CM)	CBM	NW (KG)	GW (KG)
BOTTLE	23x23x40,5	0,02	3	3,35
CARAFE	25x25x36	0,02	2,8	3,2
PRICE (1 PCS)		RETAIL	€ 89,-	



Coco pendant lamp

Pendant Lamp Coco comes in three very different versions, but all clearly bear the same family genes. Which shows in the form of the dome and the pretty mango wooden tip.

Combinations of our three different Coco pendant lamps are therefore very well possible. Though Coco is very pretty on its own as well.

Iron metal shade with solid mango wood top

Iron canopy, 10x5 cm (Ø x H)

Copper: copper plated shade & canopy, black top

Black: glossy black shade & canopy, whitewash top

Ivory: pearled ivory shade & canopy, whitewash top

Black & white textured PVC cable, adjustable in height

Wire length: 100 cm

Light source: E27, max. 11 watt savings

Energy efficiency class: A++ - E (Energylabel 1)



Our Coco Copper has a very unique finish with its flamed copper, coloured dome. We torched the material to give Coco Copper its special „colourful” finish. With its combination of two natural materials, stained mango wood and copper, this beauty is definitely an eye catcher.

Coco Glossy Black has a distinguished look, due to the combination of whitewashed mango wood and high gloss metal. A treasure we found in India.

Coco Ivory is like her sisters blessed with a combination of beautiful materials. The mango wooden tip has a whitewash finish, which is a perfect match with the pearled ivory shine of the metal dome.

ITEM CODE	GTIN-CODE	ITEM NAME		
5300055	8718548020122	PENDANT LAMP COCO COPPER		
5300056	8718548020139	PENDANT LAMP COCO GLOSSY BLACK		
5300057	8718548020146	PENDANT LAMP COCO IVORY		
PACKING	1 PCS/CTN			
QTY	CTN SIZE (CM)	CBM	NW (KG)	GW (KG)
1	35x35x20	0,0245	2,4	2,9
PRICE (1 PCS)		RETAIL	€ 99,-	

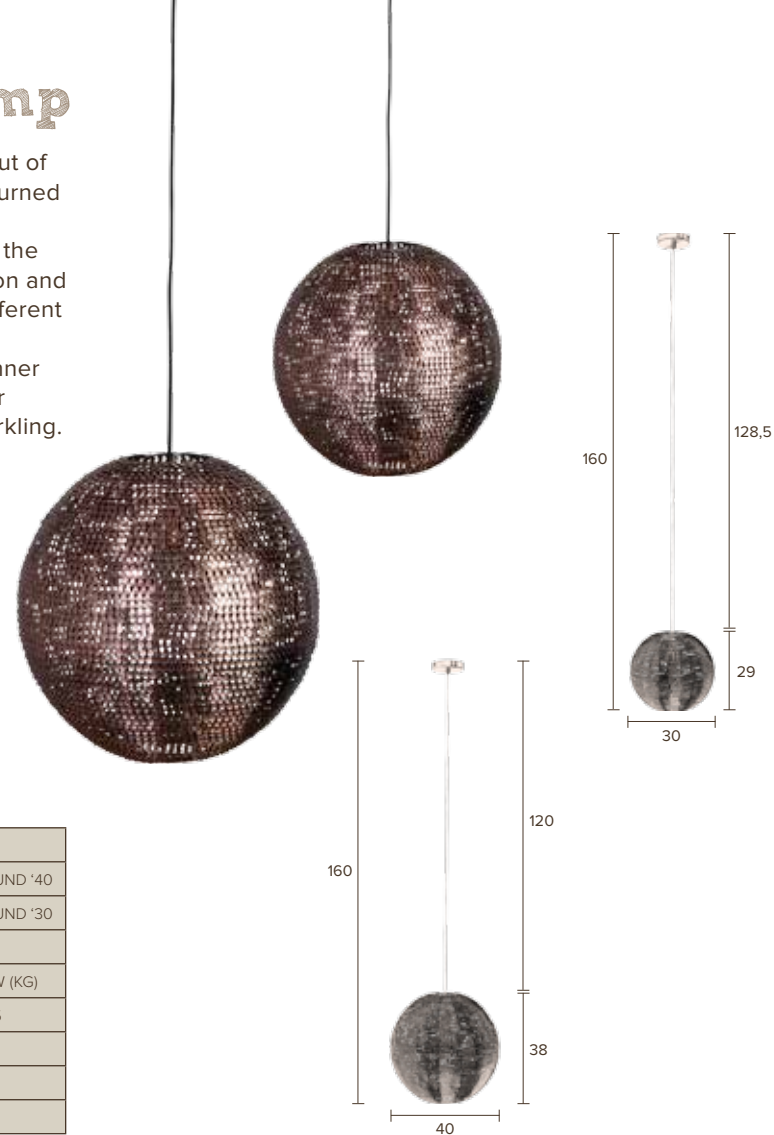


Cooper pendant lamp

Our sparkling Cooper pendant lamp is created out of hundreds of small 'flakes' of copper, which are burned with a torch for a flamed look.

The copper flakes are all placed by hand to give the lampshade its unique shape. The light bounces on and off the copper creating a dramatic effect. The different sizes and shapes of Cooper allows them to be mounted in rows or even in clusters. Above a dinner table, a kitchen counter, in a hallway or any other place that can use a touch of chique copper sparkling.

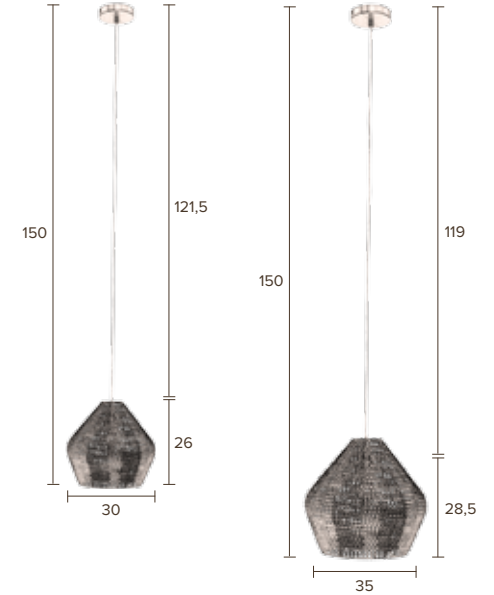
Hand made iron shade, copper plated
 Copper plated iron canopy, 12x2,5 cm (Ø x H)
 Black textured PVC cable, adjustable in height
 Light source: E27, max. 13 watt savings
 Energy efficiency class: A++ - E (Energylabel 1)



ITEM CODE	GTIN-CODE	ITEM NAME		
5300043	8718548019720	PENDANT LAMP COOPER ROUND '40		
5300044	8718548019737	PENDANT LAMP COOPER ROUND '30		
PACKING	1 PCS/CTN			
SIZE	CTN SIZE (CM)	CBM	NW (KG)	GW (KG)
'40	44x44x40	0,077	2,1	3,5
'30	33x33x35	0,038	1,3	2,1
PRICE '40 (1 PCS)		RETAIL	€ 159,-	
PRICE '30 (1 PCS)		RETAIL	€ 119,-	



Cooper pendant lamp



ITEM CODE	GTIN-CODE	ITEM NAME		
5300045	8718548019744	PENDANT LAMP COOPER LARGE		
5300046	8718548019751	PENDANT LAMP COOPER MEDIUM		
PACKING	1 PCS/CTN			
SIZE	CTN SIZE (CM)	CBM	NW (KG)	GW (KG)
LARGE	39x39x31	0,047	1,5	2,6
MEDIUM	34x34x30	0,03	1,3	2,35
PRICE L (1 PCS)		RETAIL	€ 149,-	
PRICE M (1 PCS)		RETAIL	€ 119,-	





Beads pendant lamp

Down to earth wooden beads and clear sockets for the light bulbs. That is what defines Dutchbones Beads chandelier. The height of the chandelier is adjustable. When you adjust the height it makes the loop of the bead chain bigger (more dramatic) or smaller (more elegant). That way the look of chandelier Beads can be modified to light up any room.

Black iron wired shade with 7 lampholders and wooden beads chains

Black lacquered iron canopy, 15x4 cm (Ø x H)

Black PVC cable, adjustable in height

Light source: E27, max. 40 watt regular bulb, max. 13 watt savings

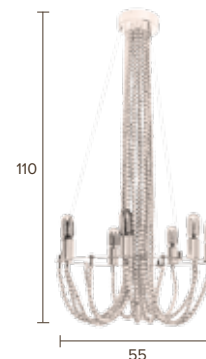
Energy efficiency class: A++ - E (Energylabel 1)

Energy efficiency class bulb: E (Energylabel 2)



ITEM CODE	GTIN-CODE	ITEM NAME		
5300052	8718548019812	PENDANT LAMP BEADS		
PACKING	1 PCS/CTN			
QTY	CTN SIZE (CM)	CBM	NW (KG)	GW (KG)
1	82x82x17	0,11	3,8	5,8
PRICE (1 PCS)		RETAIL	€ 299,-	

ITEM CODE	GTIN-CODE	ITEM NAME		
7900005	8718548020115	BULB BEADS 40W		
PACKING	1 PCS/CTN, 30 PCS/MASTERCTN			
QTY	CTN SIZE (CM)	CBM	NW (KG)	GW (KG)
1	6,5x6,5x14,5	0,0006	0,03	0,045
30	35x20x33	0,02	0,9	2,6
PRICE (1 PCS)		RETAIL	€ 10,-	





Kubu pendant lamp


The beauty of rattan is not only in its natural colour, feel and looks, it is also in its characteristics. It grows for instance, in otherwise barren swamp areas and at an alarming rate of about 40 meters every year. We kept it uncoloured, and therefore not only at its prettiest but also at its environmental friendliest. We choose to work with the slightly thicker Kubu rattan for more style.

They say that simplicity is the outward sign and symbol of depth of thought. Our pendant lamp Kubu proves that saying. Made out of simple curved Kubu rattan this pendant looks simple, but once lit it'll throw a stylish interaction of shadows and light on its surroundings. Imagine more than one pendant lamp Kubu in different heights and in a group...

Kubu rattan shade, iron construction inside
 Stainless steel canopy, 9,5x2 cm (Ø x H)
 Black PVC cable, adjustable in height
 Wire length: 155 cm
 Light source: E27, max. 13 watt savings
 Energy efficiency class: A++ - E (Energylabel 1)

ITEM CODE	GTIN-CODE	ITEM NAME		
5300058	8718548020870	PENDANT LAMP KUBU		
PACKING	1 PCS/CTN			
QTY	CTN SIZE (CM)	CBM	NW (KG)	GW (KG)
1	49x49x51	0,122	2,76	4,17
PRICE (1 PCS)		RETAIL	€ 154,-	





**DEAL WITH
DECORATION. IT IS
THE FINISHING
TOUCH.**





Rural pillow

We were in India when we found a weaver who was able to give his woven goods this very pleasant sanded look, mainly because of his well chosen faded colours. We chose a pattern and we picked a few colours of the earth. But we didn't stop at this throw pillow. We also designed a carpet to go with it! Please do combine them, since it is such a great way to complete your stylish interior...

Hand-woven cover with printed dessin, 100% cotton
 Filling: 100% polyester fibre
 Dimensions: 50x50 cm (LxW)



ITEM CODE	GTIN-CODE	ITEM NAME		
8600028	8718548024441	PILLOW RURAL		
PACKING	5 PCS/CTN	ORDER QTY: 5 PCS		
QTY	CTN SIZE (CM)	CBM	NW (KG)	GW (KG)
5	52x52x18	0,049	5,5 (5x1,1)	6,5
PRICE (1 PCS)		RETAIL	€ 32,50	

Gaelic pillow

A rustic throw pillow, is what our Gaelic is. Gaelic is made out of rough burlap fabric, but we made sure it is soft and comfortable to the touch. We did this by adding 20 percent wool to the mix. The decorative pattern is woven into the fabric. Perfect to soothe any back in any stylish seater.

80% jute, 20% wool hand-woven fabric cover
 100% polyester fiber filling
 Dimensions: 50x50 cm (LxW)



ITEM CODE	GTIN-CODE	ITEM NAME		
8600021	8718548023734	PILLOW GAELIC		
PACKING	5 PCS/CTN	ORDER QTY: 5 PCS		
QTY	CTN SIZE (CM)	CBM	NW (KG)	GW (KG)
5	52x52x18	0,049	8 (5x1,6)	9
PRICE (1 PCS)		RETAIL	€ 44,50	



Dubai pillow

If you can't come to Dubai, we'll bring Dubai to you! Pillow Dubai Gold is made from a very soft fabric. The material has a golden shine to it, which, as you know, brings good fortune and good luck to its owner.

At least, that's what is believed in Buddhist countries. At Dutchbone we believe that throw pillows in comfortable sizes will also have a positive effect on your general wellbeing in the lounge area.

39% viscose, 30% acryl, 31% cotton
 25.000 Martindale, colour fastness 3-4
 Filling: 100% polyether
 Dimensions: 45x45 cm (LxW)



ITEM CODE	GTIN-CODE	ITEM NAME		
8600025	8718548024335	PILLOW DUBAI GOLD		
PACKING	6 PCS/CTN	ORDER QTY: 6 PCS		
QTY	CTN SIZE (CM)	CBM	NW (KG)	GW (KG)
6	39x39x65	0,099	4,2 (6x0,7)	5,5
PRICE (1 PCS)		RETAIL	€ 35,-	

Autumn pillow

Soothing, warm autumn colours. A classic pattern, geometric stripes and decorative outlines. All in one fabric. We swiftly agreed on pillow Autumn. Made in the south of Europe and super soft to the touch.

74% viscose, 21% acryl, 5% cotton
 25.000 Martindale, colour fastness 3-4
 Filling: 100% polyether
 Dimensions: 45x45 cm (LxW)



ITEM CODE	GTIN-CODE	ITEM NAME		
8600027	8718548024373	PILLOW AUTUMN		
PACKING	6 PCS/CTN	ORDER QTY: 6 PCS		
QTY	CTN SIZE (CM)	CBM	NW (KG)	GW (KG)
6	39x39x65	0,099	4,2 (6x0,7)	5,5
PRICE (1 PCS)		RETAIL	€ 35,-	



Ottava pillow

Pillow Ottava comes from a European pillow wizard we found during our travels to a local fair. We took our time to decide on the colour combinations. We found these particular colour combinations match best with a Dutchbone interior.

74% viscose, 21% PES, 5% cotton
 25.000 Martindale, colour fastness 4-5
 Filling: 100% polyether
 Dimensions: 45x45 cm (LxW)



ITEM CODE	GTIN-CODE	ITEM NAME		
8600016	8718548022034	PILLOW OTTAVA GREEN/BLUE		
8600017	8718548022058	PILLOW OTTAVA RED/ORANGE		
PACKING	6 PCS/CTN	ORDER QTY: 6 PCS		
QTY	CTN SIZE (CM)	CBM	NW (KG)	GW (KG)
6	39x39x65	0,099	4,2 (6x0,7)	5,5
PRICE (1 PCS)		RETAIL	€ 35,-	



Shaun sheepskin

In large parts of the world furniture is made more comfortable with sheepskin. Not only are they warm, soft and pillow-like, they are also stylish. Our Shaun sheepskins come from genuine Down Under sheep. A mix of the world's most ancient breeds. Their wool is fit for extremes; breathable in summer, insulating in winter, but always exceptionally soft and lightweight. Shaun comes in the usual colour white, but also in different versions. Since we added coloured sheepskins like Pinot Red, Caspian Green and Chocolate. They match wonderfully with our Kubu chairs!

100% wool; sheepskin from Australia & New Zealand, a carefully selected mix of half-breeds
 Colour fastness 4-5
 Dimensions: 90-94x50x5 cm (LxWxH)

ITEM CODE	GTIN-CODE	ITEM NAME		
8900009	8718548020405	SHEEPSKIN SHAUN IVORY		
8900010	8718548020412	SHEEPSKIN SHAUN CHOCOLATE		
8900011	8718548020429	SHEEPSKIN SHAUN PINOT RED		
8900012	8718548020436	SHEEPSKIN SHAUN CASPIAN GREEN		
PACKING	5 PCS/CTN	ORDER QTY: 5 PCS		
QTY	CTN SIZE (CM)	CBM	NW (KG)	GW (KG)
5	90x55x12	0,06	4,5 (5x0,9)	6
PRICE (1 PCS)		RETAIL	€ 69,-	





Indian Block pillow

When choosing a pattern for our block printed pillow we weren't picky. We loved them all. Little did we know that block printed fabric in clothes can reveal a lot about its owner. Patterns, colours and the way the cloth is wrapped around ones body, can indicate caste, occupation, regional origin and religion. We checked: the prints on our Indian Block pillow are purely decorative and simply beautiful. Our Indian Block pillow comes in two sizes and colours; a vibrant yellow and a distinguished grey, matching colours that go very well with our other block printed items.

100% cotton, block printed by hand
 Filling: 100% polyester fibre
 Dimensions: 50x50 cm or 70x70 cm (LxW)

ITEM CODE	GTIN-CODE	ITEM NAME		
8600008	8718548019898	PILLOW INDIAN BLOCK '50 YELLOW		
8600009	8718548019904	PILLOW INDIAN BLOCK '50 GREY		
8600010	8718548019911	PILLOW INDIAN BLOCK '70 YELLOW		
8600011	8718548019928	PILLOW INDIAN BLOCK '70 GREY		
PACKING	5 PCS/CTN	ORDER QTY: 5 PCS		
SIZE	CTN SIZE (CM)	CBM	NW (KG)	GW (KG)
5x '50	52x52x18	0,049	5	6
5x '70	72x72x20	0,104	10	11,25
PRICE '50 (1 PCS)		RETAIL	€ 29,50	
PRICE '70 (1 PCS)		RETAIL	€ 49,-	





Indian Block stool and pouf

This Indian Block stool is able to transform the duller lounge area into something special. Especially when you realize the fabric was not simply screen printed but stamped by hand. Originally block printed fabric was mainly used for menswear, but also for home furnishing. Nowadays screen prints took over the majority of the menswear market. Luckily the craft survived. One could say it makes more sense to use the block printing craftsmanship for furniture; On fabrics that generally last much longer than a garment. Our Indian Block stool comes in two colours; A vibrant yellow and a distinguished grey, matching colours that go very well with our other block printed items.

100% cotton, block printed by hand
 Filling: PU-foam
 Solid sheesham wooden legs
 Dimensions: 40x40x35 cm (WxDxH)



ITEM CODE	GTIN-CODE	ITEM NAME		
3300018	8718548019935	STOOL INDIAN BLOCK YELLOW		
3300019	8718548019942	STOOL INDIAN BLOCK GREY		
PACKING	1 PCS/CTN			
QTY	CTN SIZE (CM)	CBM	NW (KG)	GW (KG)
1	42x42x37	0,065	4,6	5,6
PRICE (1 PCS)		RETAIL	€ 95,-	

Our pouf Indian Block is composed out of beautifully hand stamped, block printed fabric. Imagine that every colour of the print in this beautiful pouf requires another wooden stamp with a precise interlocking design. Not only the carving of these blocks requires real craftsmanship, also the stamping itself is a difficult metier. Our Indian Block pouf comes in two colours; A vibrant yellow and a distinguished grey, matching colours for our other block printed items.

100% cotton, block printed by hand
 Filling: 100% recycled cotton
 Dimensions: 40x40x40 cm (WxDxH)



ITEM CODE	GTIN-CODE	ITEM NAME		
3300020	8718548019959	POUF INDIAN BLOCK YELLOW		
3300021	8718548019966	POUF INDIAN BLOCK GREY		
PACKING	1 PCS/CTN			
QTY	CTN SIZE (CM)	CBM	NW (KG)	GW (KG)
1	42x42x42	0,074	8,5	9,5
PRICE (1 PCS)		RETAIL	€ 95,-	



Vintage Window mirror

It is clear where our inspiration came from for the name Vintage Window mirror. The vintage part hides in the weathered mirror we used. The frame of this full-length mirror is made out of metal and with its 178 centimeters in height, Vintage Window mirror is tall like a Dutchman!

Iron frame with vintage look powdercoating
 Vintage mirror glass
 Dimensions: 37,5x3x178 cm (WxDxH)



ITEM CODE	GTIN-CODE	ITEM NAME		
8100008	8718548023338	MIRROR VINTAGE WINDOW		
PACKING	1 PCS/CTN			
QTY	CTN SIZE (CM)	CBM	NW (KG)	GW (KG)
1	183x8x42	0,061	10	12
PRICE (1 PCS)		RETAIL	€ 199,-	



Blackbeam mirror

By designing mirror Blackbeam we didn't just add a mirror to our collection, but also created a graphic home accessory in the process. Blackbeam can be a decorative item for on your walls and at the same time give you the opportunity to check your hairdo on occasion. This very slender piece will reflect your image in a subtle way. Just imagine this dark steel frame on a light coloured wall... Even better: imagine more than one of them, in a row!

Glass mirror with waxed coated iron frame
 Dimensions: 20x4x120 cm (WxDxH)



ITEM CODE	GTIN-CODE	ITEM NAME		
8100012	8718548029248	MIRROR BLACKBEAM		
PACKING	1 PCS/CTN			
QTY	CTN SIZE (CM)	CBM	NW (KG)	GW (KG)
1	21x8x124	0,024	5	6,5
PRICE (1 PCS)		RETAIL	€ 89,-	



Kubu mirror

The beauty of rattan is not only in its natural colour, feel and looks, it is also in its characteristics. It grows for instance, in otherwise barren swamp areas and at an alarming rate of about 40 meters every year. We kept it uncoloured, and therefore not only at its prettiest but also at its environmental friendliest. We choose to work with the slightly thicker Kubu rattan for more style.

Our Mirror Kubu is handwoven from rattan. Unlike bamboo, rattan stems are solid and therefore easy to bend. Mirror Kubu's randomly shaped frame gives this mirror its nonchalant look while the Kubu rattan itself adds class.

Glass mirror with Kubu rattan border and plywood back
Dimensions: 75x3,2 cm (Ø x H)



ITEM CODE	GTIN-CODE	ITEM NAME		
8100007	8718548020863	MIRROR KUBU		
PACKING	1 PCS/CTN			
QTY	CTN SIZE (CM)	CBM	NW (KG)	GW (KG)
1	78x78x6	0,037	2,9	4,9
PRICE (1 PCS)		RETAIL	€ 99,-	



Attractif mirror

This round mirror is captured in a metal frame and for a touch of style and elegance, bound together with an industrial bolt. Mirror Attractif comes in two generous sizes and in a distinguished, industrial blue colour.

Glass mirror with powder coated aluminium frame
 Dimensions '16: 41x53x4 cm (WxDxH) - mirror Ø 40 cm
 Dimensions '24: 60x72x4 cm (WxDxH) - mirror Ø 58 cm



ITEM CODE	GTIN-CODE	ITEM NAME		
8100005	8718548020726	MIRROR ATTRACTIF '16		
8100006	8718548020733	MIRROR ATTRACTIF '24		
PACKING	1 PCS/CTN			
SIZE	CTN SIZE (CM)	CBM	NW (KG)	GW (KG)
16'	52x52x8	0,022	3,6	5,1
24'	71x71x8	0,04	7	9
PRICE 16' (1 PCS)		RETAIL	€ 129,-	
PRICE 24' (1 PCS)		RETAIL	€ 174,-	



Lon trunk

Dutchbone can't provide you with the treasure, but we sure can provide you with the perfect treasure chest! Trunk Lon, inlaid with a pretty wooden pattern and sturdy iron latches, has the perfect size for all those keepsakes found and discovered on long travels and exciting adventures. Lon will keep your memories safe and sound!

Fir wood trunk with iron hinges and latches
Dimensions: 82x52x34 cm (WxDxH)



ITEM CODE	GTIN-CODE	ITEM NAME		
7500002	8718548029231	TRUNK LON		
PACKING	1 PCS/CTN			
QTY	CTN SIZE (CM)	CBM	NW (KG)	GW (KG)
1	87x57x39	0,193	11	13
PRICE (1 PCS)		RETAIL	€ 199,-	

Tout est possible artwork

In France we came across a workshop specialized in printing on concrete. We were intrigued. Graffiti for the home... Years before one of us photographed a quote, spray-painted on a wall in a Parisian alley. The two were soon combined in this concrete decoration. And so we once again discovered: 'tout est possible'!

Concrete decoration with printed artwork
Dimensions: 50x70x4 cm (WxHxD)



ITEM CODE	GTIN-CODE	ITEM NAME		
8900014	8718548022072	ARTWORK TOUT EST POSSIBLE CONCRETE		
PACKING	1 PCS/CTN			
QTY	CTN SIZE (CM)	CBM	NW (KG)	GW (KG)
1	75x55x8	0,033	9,9	15,2
PRICE (1 PCS)		RETAIL	€ 395,-	



Baha and Bahir vases

Sometimes vases are so beautifully satisfying on their own, there is no need for flowers or plants. This is definitely the case with our vase Baha and its nephew, vase Bahir. Both vases have an antique brass finish and are perfectly embellished with stamped decorations. Arrange them in groups on a side table and just enjoy the oriental ambience they emit.

Aluminium, antique brass plated
 Dimensions Baha: 24x30 cm (Ø x H)
 Dimensions Bahir: 24x38 cm (Ø x H)

Note: These vases are for decoration only



Baha

Bahir

ITEM CODE	GTIN-CODE	ITEM NAME			
8200011	8718548025370	VASE BAHA			
PACKING	1 PCS/CTN				
QTY	CTN SIZE (CM)	CBM	NW (KG)	GW (KG)	
1	28x28x32,5	0,025	0,9	2,15	
PRICE (1 PCS)		RETAIL	€ 55,-		

ITEM CODE	GTIN-CODE	ITEM NAME			
8200012	8718548025387	VASE BAHIR			
PACKING	1 PCS/CTN				
QTY	CTN SIZE (CM)	CBM	NW (KG)	GW (KG)	
1	28,5x27x40	0,03	1,1	2,36	
PRICE (1 PCS)		RETAIL	€ 59,-		



Stilo desk table

Desk table Stilo longs to be used in creative ways. It can be used as a display table in a corner for nice artwork, sketches or architectural drawings. Or use this vintage-looking table as a perfectly working drawing table.

Tilttable tabletop with stoved iron joints
 Solid fir wood with antique finish
 MDF desktop with waterbased black paint coating
 Note: no blackboard paint, do not use chalk directly on the surface
 Maximum weight load: 30 kg
 Dimensions: 125x64x110,5-141,5 cm (WxDxH)
 Dimensions desktop: 125x81,5 cm (WxD)



ITEM CODE	GTIN-CODE	ITEM NAME		
2600002	8718548030114	DESK TABLE STILO		
PACKING	1 PCS/CTN			
QTY	CTN SIZE (CM)	CBM	NW (KG)	GW (KG)
1	132x23,5x88,5	0,275	28	30
PRICE (1 PCS)		RETAIL	€ 549,-	



Scholar magazine holder

Magazine rack Scholar doesn't even need newspapers or magazines to contribute to an interior. Even when empty this gold coloured and leather holder is a stylish addition to any home. Scholar is able to hold a lot of paper, but can also be used to hold wood for the fire place.

Iron frame, powder coated in antique gold finish
 Buffalo leather holder, coated in darkbrown
 Dimensions: 45x26x40 cm (WxDxH)
 Depth of leather holder: 27 cm
 Maximum weight load: 11 kg



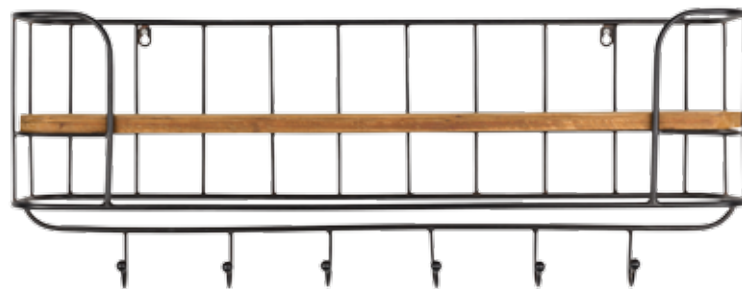
ITEM CODE	GTIN-CODE	ITEM NAME		
8900024	8718548029354	MAGAZINE HOLDER SCHOLAR		
PACKING	1 PCS/CTN			
QTY	CTN SIZE (CM)	CBM	NW (KG)	GW (KG)
1	44x30x50	0,066	3,7	5,1
PRICE (1 PCS)		RETAIL	€ 149,-	



Stack coat rack

This vintage metal wall rack is very versatile. Of course it can be used as a hallway coat rack, but can just as easily be used in the kitchen to hang some of your cups by their ears and hold your (tea) pots. But Stack can also be a good styling item in the bedroom, there it can hold your jewelry and tomorrows outfit.

Iron frame with 6 hooks, antique black powder coated
 Solid wood shelf with natural oil finish
 Maximum weight load: 18 kg
 Dimensions: 85x20x32 cm (WxDxH)



ITEM CODE	GTIN-CODE	ITEM NAME		
7100008	8718548030091	COAT RACK STACK		
PACKING	1 PCS/CTN			
QTY	CTN SIZE (CM)	CBM	NW (KG)	GW (KG)
1	90x24x34	0,073	2,5	3,5
PRICE (1 PCS)		RETAIL	€ 69,95	



Rustic wall cabinet

Some people find a rustic cabinet at a “brocante” in the South of France. But somehow we never ever do. So we designed Wall Cabinet Rustic here.

For the kitchen. But as it turns out, Rustic is also a perfect filing cabinet for in the office. With nametags to keep everything organized. Or in the hallway to hold the mail for different residents and purposes. See, our design team is sometimes more versatile than they realize!

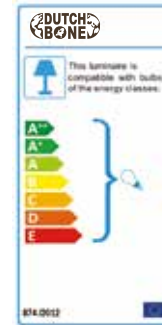
Solid fir wood with antique finish
 Black MDF back & compartments,
 natural NC-lacquered
 Upper & middle row with metal label holders
 Maximum weight load: 20 kg
 Dimensions: 97x20x110 (WxDxH)



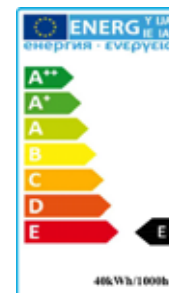
ITEM CODE	GTIN-CODE	ITEM NAME		
4500001	8718548030121	WALL CABINET RUSTIC		
PACKING	1 PCS/CTN			
QTY	CTN SIZE (CM)	CBM	NW (KG)	GW (KG)
1	103x26x118	0,316	17	19
PRICE (1 PCS)		RETAIL	€ 289,-	



Energy labels



Label 1



Label 2

EXPLORE MORE. WWW.DUTCHBONE.COM

© Zuiver BV 2017

All rights reserved. No part of this publication may be reproduced by any means without prior permission in writing from Zuiver BV.
Dutchbone is a registered trademark from Zuiver BV.

Disclaimer:

Whilst all care has been made in the compilation of this magazine, the company can not accept responsibility for any errors or changes to the contents.

Please note that due to the printing process all colours, as seen in this brochure, may slightly vary from the actual colours.

General terms & conditions: www.dutchbone.com



OFFICE/SHOWROOM: Rak 20 🌐 1551 NA 🌐 Westzaan 🌐 Holland 🌐 PHONE: +31(0)75 6146020 🌐 MAIL: info@dutchbone.com