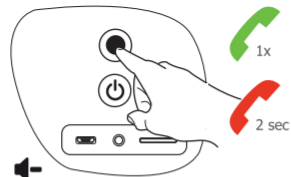
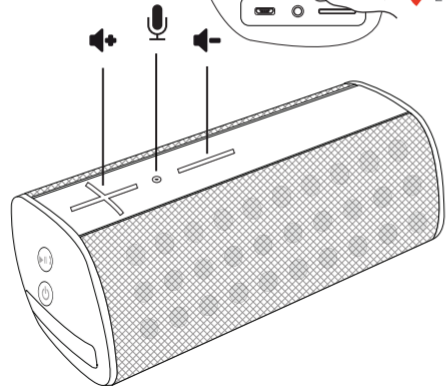
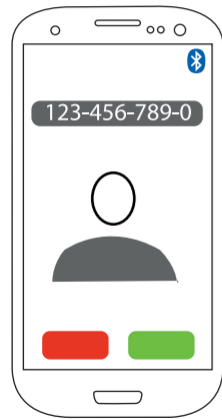
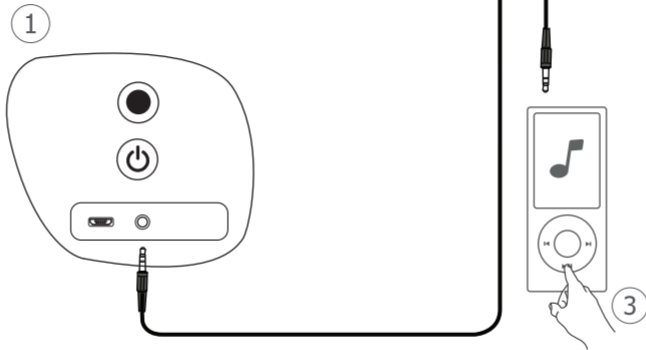


4. WIRELESS PHONECALL



5. ECO MODE



FAQ

FREQUENTLY ASKED QUESTIONS

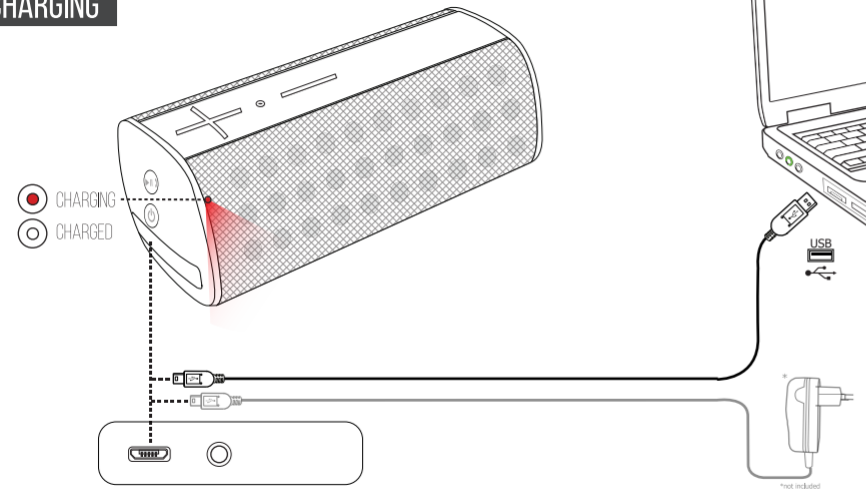
[HTTP://WWW.TRUST.COM/22063/FAQ](http://www.trust.com/22063/faq)

Trust
URBAN

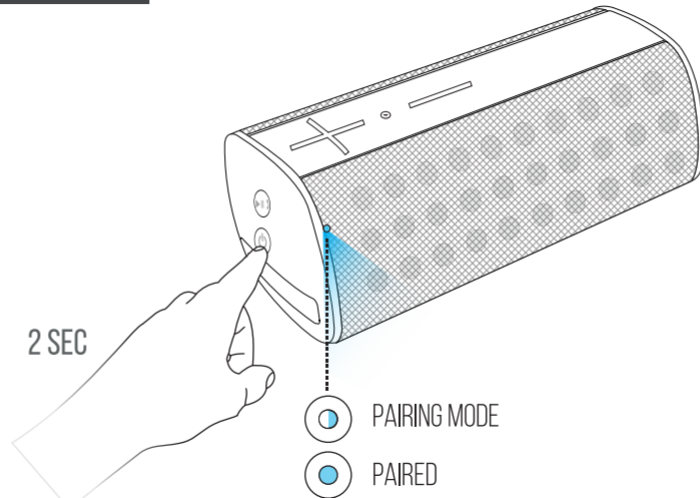


USER GUIDE
WIRELESS SPEAKER

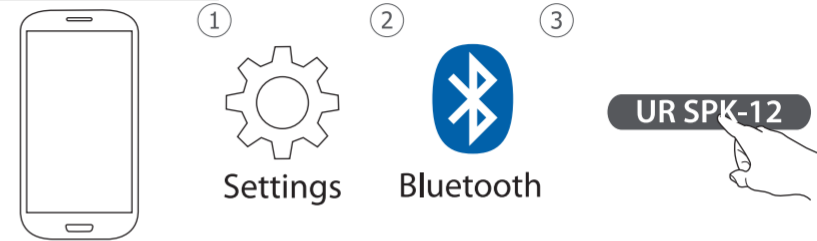
1. CHARGING



2A. WIRELESS SETUP



2B. WIRELESS SETUP



3. WIRELESS TROUBLESHOOTING

