

Operating and Installation manual

Vented Dryer


PT 5136

To prevent accidents
and machine damage
read these instructions
before
installation or use.

en - US, CA

M.-Nr. 09 758 410

Contents

IMPORTANT SAFETY INSTRUCTIONS	3
Guide to the dryer	6
Control panel	6
Display function	7
Description of the machine	7
Before using for the first time	8
Use	9
Fabric care labels	9
Drying tips	9
Coin mechanism	14
Changing a running program	14
Canceling a program	14
Adding/removing laundry during a drying program	14
Program guide	15
Delay Start	18
Cleaning and Care	19
Cleaning the lint filter	19
Cleaning the grid filter	20
Cleaning the exterior and the control panel	20
Frequently asked questions	21
After sales service	27
Optional accessories	27
Installation instructions	29
Installation	30
Electrical connection	35
Installation of exhaust venting	36
General notes	36
How to calculate the effective duct length	37
Determining the position of the exhaust connection	40
Exhaust connection with a flexible exhaust hose or rigid pipe	41
Technical Data	46
Caring for the environment	47
Settings 	49
Menu Settings - Supervisor level	52

IMPORTANT SAFETY INSTRUCTIONS

Keep these operating instructions in a safe place and pass them on to any future user.

Read all instructions before installation or use of the dryer to prevent injury and machine damage.

Installation, repair and maintenance work should be performed by a Miele authorized service technician. Work by unqualified persons could be dangerous.

This appliance complies with current safety requirements. Improper use of the appliance can lead to personal injury and material damage.

READ AND SAVE THESE INSTRUCTIONS

WARNING - To reduce the risk of fire, electric shock or injury:

▶ The dryer is intended for drying clothes washed in water. Only dry clothes with a fabric care label stating it is safe for tumble drying. Other uses may be dangerous.

Technical Safety

▶ Check the packaging, the dryer and accessories for any signs of damage. Do not use a damaged appliance.

▶ Before connecting the machine, ensure that the connection data on the data plate (fusing, voltage and frequency) matches the mains electrical supply. If in doubt contact an electrician.

▶ The electrical safety of this appliance can only be guaranteed when continuity exists between the machine and an effective grounding system which complies with local and national regulations. It is imperative that this basic safety requirement be met. If there is any doubt, have the electrical system of the house checked by a qualified technician.

▶ Do not connect the appliance to the mains electrical supply by an extension cord. Extension cords do not guarantee the required safety of the appliance (e.g. danger of overheating).

▶ The machine is built in accordance with current safety requirements. Incorrectly repaired machines may pose a considerable risk to the user. Repairs should only be performed by a Miele approved technician.

▶ Faulty components must only be replaced with genuine Miele spare parts. Only genuine Miele spare parts can guarantee the safe operation of this machine.

▶ A faulty power cord must be replaced by a genuine Miele power cord.

▶ Before maintenance or cleaning and care disconnect the dryer from the electrical supply pulling the plug or tripping the circuit breaker.

IMPORTANT SAFETY INSTRUCTIONS

Use

▶ Do not install a clothes dryer with flexible plastic venting materials. If flexible metal (foil type) duct is installed, it must be of a specific type identified by the manufacturer as suitable for use with clothes dryers. Flexible venting materials are known to collapse, be easily crushed, and trap lint. These conditions will obstruct clothes dryer airflow and increase the risk of fire.

▶ Use flexible or rigid metal pipe for venting. Non-metallic flexible hose should not be used, it is a potential fire hazard.

▶ The appliance shall not be exhausted into a chimney, a wall, a ceiling, an attic, a crawl space, or a concealed space of a building.

▶ The installation of this unit at non stationary locations (e.g. ships) must be performed by a qualified installer or service agency, in strict accordance with national and local safety regulations and standards.

▶ The dryer must not be used without an exhaust duct.

▶ The dryer must not be used without the lint filter in place or with a damaged lint filter.

▶ Check regularly on the exhaust parts (e.g. wall vent duct, louvered wall vent, bends etc.) for air permeability. Lint can collect and block the air flow. If an exhaust hose is already installed, it should be checked before connected to the dryer.

▶ **Danger of suffocation or toxication** Adequate ventilation is essential, especially when another appliance which also uses the room air (e.g. gas, oil or coal fired heater, continuous flow or other water heater) is installed in the same or an adjacent room. Allow sufficient room ventilation by unlockable ventilation openings in the wall.

Check with your building inspector for a riskless use to avoid a low pressure of 4 Pa or more.

▶ Never connect an exhaust duct to an active chimney, vent flue or room venting ductwork. Danger of toxication by draw back of exhaust fumes.

▶ When installing multiple dryers to one collective exhaust duct, a non-return flap per dryer must be installed directly to the collective duct.

Otherwise the dryers could be damaged and the electrical safety affected.

▶ Keep the area where the dryer is installed free from lint, dust and dirt.

▶ Do not install the machine in rooms where temperatures below freezing may occur.

WARNING - Risk of Fire

▶ To reduce the risk of severe injury or death, follow all installation instructions.

▶ Clothes dryer installation must be performed by a qualified installer.

IMPORTANT SAFETY INSTRUCTIONS

- ▶ Install the clothes dryer according to the manufacturer's instructions and local codes.
- ▶ To prevent the risk of fire, the following textiles must not be dried in this dryer:
 - items which have not been washed.
 - items, such as work-wear, exposed to grease, oils, or other deposits (such as lotions or cosmetics) in your dryer. If these items have not been thoroughly cleaned there is a danger that they may contribute to a chemical reaction that could cause the laundry to ignite when heated even after being removed from the dryer.
 - items that have been previously cleaned, washed, soaked or spotted with gasoline, dry-cleaning solvents or other flammable or explosive substances. They may give off vapors that could ignite or explode.
 - items treated with flammable cleaning agents or items containing acetone, alcohol, petrol, stain remover, wax or chemicals from buffing, etc.
 - items which have been splashed with hair spray, nail polish remover, etc.
- items with padding or filling (e.g. pillows or jackets) which have been damaged. Loose filling could catch fire.
- ▶ Do not lean on the door. The dryer may tip over.
- ▶ Always close the door after use. to prevent hazards. For example:
 - **children** trying to climb into the dryer or hide items in it.
 - **small pets** climbing into the dryer.
- ▶ To protect the machine from rust only use chloride-free cleaning and disinfecting agents. Chloride may cause corrosion.
Do not store chloride agents in close proximity to the dryer. Fumes could lead to rust damage.

Children

- ▶ Close supervision is necessary when the appliance is used near children. Do not allow children to play on or in the appliance.

Using accessories

- ▶ Only use genuine Miele accessories and replacement parts. If other parts are used, guarantee, performance and product liability claims may become void.

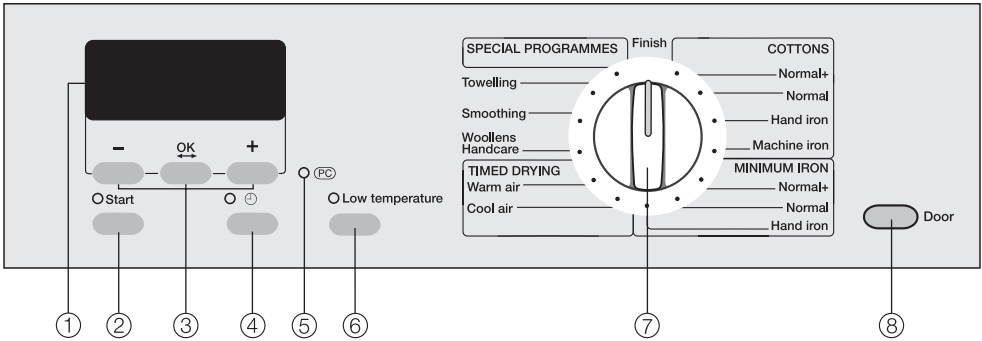
SAVE THESE INSTRUCTIONS

When washing heavily soiled items ensure that sufficient detergent is used with a high temperature. If in doubt wash the item several times.

- items containing foam rubber or similarly textured rubber-like materials.

Guide to the dryer

Control panel



① **Display***

See the following pages for more information.

② **Start button**

Starts the selected wash program.

③ **+/- and OK buttons**

See next page for more information.

④ **⌚**

Delay Start button, Time of day display.

⑤ **Optical Interface PC**

Allows a service technician to check and update the drying programs.

⑥ **"Low temperature" button**

⑦ **Program selector**

To select a wash program.
The program selector can be turned clockwise or counterclockwise.

⑧ **Door button**

To open the drum door.

Display function

The display shows several functions on:

- the program selection
- the program duration and the time of day at program start and end.

When selecting the program several features may be adjusted or selected in the display:

- the drying level (i.e. "Hand iron", "Normal")
- a Delay Start.

The menu "Settings"  can be selected in the menu.

Buttons + / –

To change the component highlighted in the display.

- decreases the value or moves the marker up
- + increases the value or moves the marker down.

OK button

To confirm the selected value and to select the next component.

Delay Start and Time button

to start the program at a later time. Press this button during drying to get the approximate program end time or the current time of day.

Remaining time

When a program is selected, the approximate duration is displayed. This is the "remaining time".

The program duration can vary due to some factors: Residual moisture after spinning, fabric, load size, room temperature or voltage fluctuations.

The adaptive electronic adjusts to the individual load to display the accurate remaining time. The remaining time is constantly modified and can lead to jumps in time.

The "Woolens handcare" and "Smoothing" programs can be ended ahead of time once a certain temperature has been reached. This may be the case with fine fabrics or if the dryer was used before.

Description of the machine

The dryer is suitable for use in laundromats or apartment laundry facilities for large amounts of laundry.

Before using for the first time

When the dryer is used for the very first time, the Welcome screen shows.

"Miele Professional Welcome" will not show again once the language and the time of day is set and the first program runs longer than one hour.

The display shows the language setting.

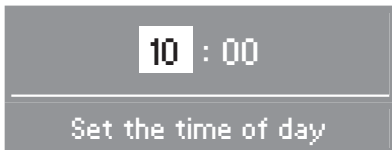
Setting the display language



- Set the desired language with the +/- buttons and confirm with **OK**.

The selected language is marked with a check.

Setting time of day

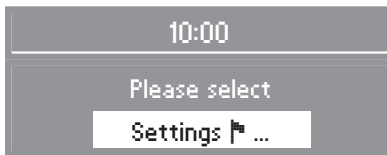


- Set the time of day with the buttons +/- the hours and confirm with **OK**.
- Set the minutes and confirm.

Basic menu

The basic menus with the current time of day shows as long as no program is selected.

The display shows "Settings" .



The information to the settings can be found at the end of this manual.

The dryer is ready for use.

Fabric care labels

Before drying, check fabric care labels for special drying instructions.

☺ = Drying with normal temperature

☺ = Drying with low temperature

☒ = Do not dry in a tumble dryer

Drying tips

- Observe the maximum loads, see the "Programs guide".


Overloading the dryer will result in poor drying and wrinkling.

- Do not place **dripping wet items** in the dryer! Spin the laundry after the wash for at least 30 seconds.
- Dry **delicate fabrics** with the fabric care symbol ☺ with the "Low temperature" option.
- **Open jackets** to allow even drying.
- **Starched laundry** can be dried in the tumble dryer. The amount of starch must be doubled during the wash.
- Wash **new, colored items** before drying for the first time and do not dry with light-colored items. These fabrics can "bleed" (also on plastic parts of the dryer). Colored fluff may also get on the light colored items.
- **Wool and wool blends** tend to felt and shrink. Dry wool and wool blends in the "Woollen handcare" program.
- The fine fabric of **down filled items** tend to shrink. Dry these items in the "Smoothing" program.
- Dry **pure linen** items only if it is recommended on the fabric care label. The surface of the fabric may become "rough". Dry these items in the "Smoothing" program.
- **Knitted fabrics** (e.g. T-Shirts and underwear) tend to shrink when washed and dried for the first time. Do not overdry these fabrics.
- **Permanent press and delicate fabrics** tend to crease more the bigger the load size. For better drying results reduce the load size or select the "Shirts" program.

Use

1. Sort the laundry

Loosen the washed laundry and sort by desired dryness, fiber / fabric, size and similar residual moisture after spinning for even drying results.

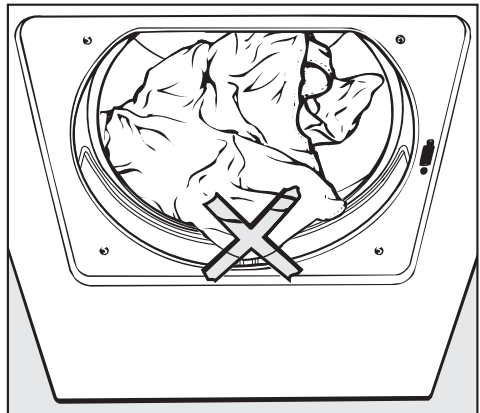
 Do not dry items that may melt or ignite in the dryer such as plastics, rubber or sneakers. They could melt and damage the laundry.

- Check hems and seams, so that no filling can drop out.
- Comforter covers and pillowcases should be fastened in order to prevent small items from getting trapped inside of them.
- Close zippers, hooks and eyelets.
- Tie fabric belts and apron ties.
- Remove or sew released bra underwires.

2. Load the laundry

- Use the "Door" button to open the drum door.
- Load the laundry loosely into the drum.

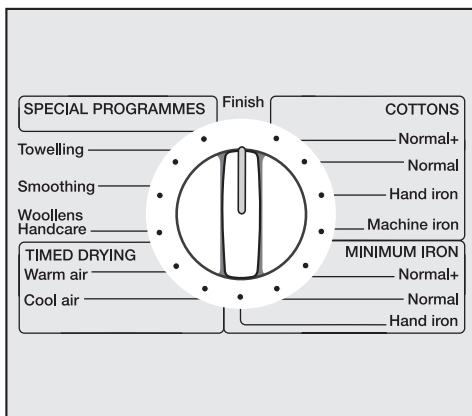
Do not overload the drum. Overloading strains the fabrics and results in poor drying results.



To prevent fabric damage, check that laundry is not caught in the closed door. Do not use dryer sheets in this dryer. Silicates contained in these sheets could cause the dryer to overheat.

- Close the door with a firm swing or lean against the dryer and push it closed.

3. Select a program



- Select the desired program with the program selector.
See the "Program guide" for information on the programs.

Depending on the selection the display shows different messages. The program name is shown.



Important: The displayed duration varies with every program selection!

Cottons, Minimum iron



Different drying levels can be selected.

Towelling, Woollen handcare, Smoothing

The drying level and duration are fixed.

Cool / Warm air



- The duration can be extended or shortened with the +/- button (up to 2 hours cold air, 1 hour warm air).

Use

Special programs

When selecting "Special programs" the display shows the list.



- Mark the desired program with the +/- button. The arrow ▼ in the display shows that additionally selections can be made.
- Confirm with "OK".



- Use the +/- buttons to change the drying level (except "Proofing").

Low temperature

To dry delicate items (fabric care symbol ☑) e.g. made from acrylic, press the "Low temperature" button.

The temperature is reduced and the program duration is extended.

4. Select Delay Start (if desired)

See "Delay Start".

5. Insert coins (if operated by coin mechanism)

If a coin mechanism operates the machine, please regard the displayed request to pay.

If the door is opened after a program start or if the program is canceled the credit is lost.

6. Start a program

During the program selection the "Start" indicator flashes meaning that the program can be started.

- Press the "Start" button.

The "Start" indicator lights.

"Program start" is displayed, then "Drying" and the program duration.

The drying levels in the drying level programs are displayed, e.g. machine iron, hand iron, etc.

Before the end of a program

After drying with hot air, the cool down phase finishes the program. "Cooling down" is displayed. Only after the cooling down phase has ended the program is finished.

These programs do not have a cooling down phase: "Woollen handcare", "Smoothing".

7. At the end of a program

"Anti-crease" (if selected) and "End" mark the end of a program in the display. During the anti-crease phase the drum will turn in intervals if the laundry is not immediately removed from the dryer. This will prevent the laundry from wrinkling. Run time 1 h.

- Use the "Door" button to open the drum door.
- Remove the laundry.

Check the drum for any missed pieces of laundry. Any items left in the dryer can be damaged because of over-drying.

If the door stays open, the light goes off after a few minutes (energy saving).

- Close the door.

Cleaning and care hints

- See maintenance instructions.

Use

Coin mechanism

For coin mechanism operated machines: Money or tokens will be lost when the door is opened after program start or when canceling a program.

Technical Service can allow a time frame where a program can be changed.

Changing a running program

A running program cannot be changed (protection of accidental changes). If the program selector is turned, the display shows "Program change not possible" until the selector is set back to the original program.

To select a different program, the running program must be canceled.

Canceling a program


- Turn the program selector to "Finish".

If "Finish" shows in the display, the program was canceled.

- Open and close the door.
- Select the new program.
- Press the "Start" button.

Adding/removing laundry during a drying program

- Press the "Door" button.
- Open the door.

 Do not touch the rear of the drum while adding or removing items! Danger of burns due to high temperatures in the drum.

- Add or remove items.
- Close the door.




Continue drying

- Press the "Start" button.

Note


When the program cycle is changed the displayed remaining time may differ from the actual drying time.

Program guide

Cottons		Load size: 14.3 lbs (6.5 kg)
Normal+, Normal		
Items	Single and multilayered cotton and linen laundry e.g. Terry towels, - beach towels, bath robes, T-Shirts, underwear, cottons bed linens, baby clothing, etc.	
Note	Select Low temperature for items with the fabric care symbol 	
Hand iron Δ, Machine iron		
Items	Cotton or linen fabrics to be left damp for easier ironing. e.g. table cloths, bed linen, starched laundry, etc.	
Note	<ul style="list-style-type: none"> - Select Low temperature for items with the fabric care symbol  - Roll up items until they are machine ironed, to keep them moist. 	
Minimum iron		Load size: 7.7 lbs (3.5 kg)
Normal+, Normal, Hand iron Δ		
Items	Minimum Iron items of cotton, mixed fabrics or synthetics. e.g. sweaters, dresses, pants, table cloths, etc.	
Note	<ul style="list-style-type: none"> - Select Low temperature for items with the fabric care symbol  - Select "Hand iron Δ" and reduce the load size to 1.5 kg*, for particularly crease free drying . - Items will be dried wrinkle-free, depending on fabric and load. 	

The load size is the weight of the dry laundry.

Program guide

Cool air		Load size: 14.3 lbs (6.5 kg)
Items	To air dry items	
Warm air		Load size: 14.3 lbs (6.5 kg)
Items	<ul style="list-style-type: none"> – Final drying of multi-layer fabrics, with unique drying characteristics. e.g. jackets, pillows and large textiles. – Drying of single items: beach towels, bathing suits, etc. 	
Note	<ul style="list-style-type: none"> – Select Low temperature for items with the fabric care symbol . – Do not select the longest drying for the first time. Check by testing, which time is most suitable. 	
Woollen handcare		Load size: 5.5 lbs (2.5 kg)
Items	Woolen fabrics	
Note	<ul style="list-style-type: none"> – Woolen items will be loosened up and fluffed in a short time, but not completely dried. – Remove the items immediately after the program end and allow to air dry. – Low temperature cannot be deselected. 	
Smoothing		Load size: 6.6 lbs (3 kg)
Items	<ul style="list-style-type: none"> – Cotton or linen fabrics – Minimum iron items of cotton, mixed fabrics or synthetics. e.g. khakis, dress shirts, etc. 	
Note	<ul style="list-style-type: none"> – Program for reducing creases after previous spinning in the washer. – Remove the items immediately after the program end and allow to air dry. 	

Program guide

Towelling		Load size: 14.3 lbs (6.5 kg)
Normal+		
Items	Terry laundry, e.g. towels, beach towels, bath robes.	
Denim		Load size: 7.7 lbs (3.5 kg)
Normal, Hand iron Δ		
Items	Denim fabric items, pants, jackets, skirts, shirts, etc.	
Shirts		Load size: 5.5 lbs (2.5 kg)
Normal, Hand iron Δ		
Items	Shirts and dress shirts.	
Outerwear		Load size: 7.7 lbs (3.5 kg)
Normal, Hand iron Δ		
Items	Outdoor clothing suitable to dry in a tumble dryer	
Proofing		Load size: 5.5 lbs (2.5 kg)
Items	For dryer suitable items, e.g. ski and outdoor clothing, table cloths and poplin items	
Note	<ul style="list-style-type: none"> – This program has an additional step for the water proofing. – Water proofed items must only be treated with water repellent that is "Suitable for membrane textiles". These chemicals are based on flourochemicals. – Do not dry items which were treated with agents containing paraffin! This is a fire hazard. 	

Delay Start

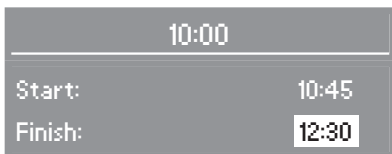
The program end time can be selected. The program start can be delayed for up to 24 hours.

Selecting the Delay Start

- Press the ⊖ button.



The display shows the current time of day at the top, the program start time in the middle and the end of program time on the bottom.



- Select the desired program end time with +.

The delay start is shown in 30-minute-increments. The first push of the button delays the program end to the next possible full or half hour. The program start time changes accordingly.

- Press the – button to select an earlier program end time.
- Confirm with "OK".

Starting the Delay Start

- Press the "Start" button.



The time elapses in minutes until the program start.

The drum turns briefly every hour to prevent creases.

Changing a program

As long as the program has not yet started, the "Low temperature" option or drying level can be adjusted.

- Press the "Door" button to add or remove laundry.
- Close the door and press "Start".

Changing the Delay Start

- Press the ⊖ button.
- Select the desired program end time with +/-.
- Confirm with "OK".
- Press the "Start" button.

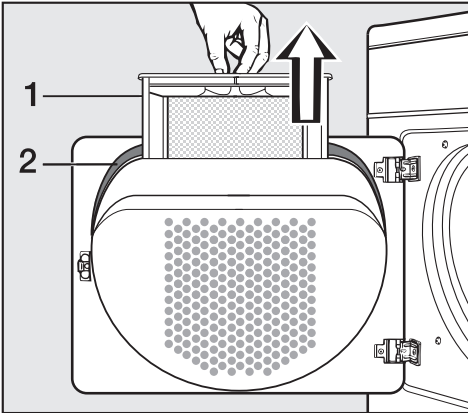
Deleting the Delay Start

- Press the ⊖ button.
- Press and hold the – button until the program start time is the current time of day.
- Confirm with "OK".

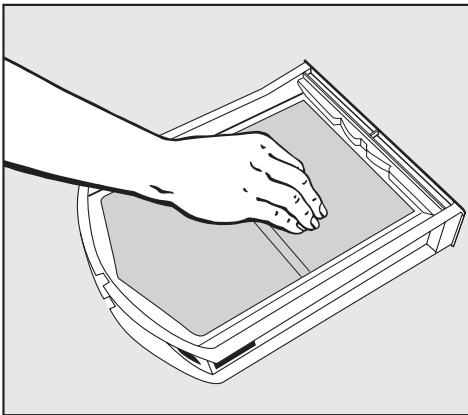
The programs starts.

Cleaning the lint filter

The lint is collected by the lint filter in the door. The lint filter must be cleaned after **every** program.



- Pull the lint filter out its filter frame in the door (1).



- Wipe or vacuum the lint off the filter. Do not use sharp objects.
- Any lint remaining in the hollow part of the door can be removed through the gap at the bottom with a dust brush or vacuum.

- Clean the door gasket (2) with a damp cloth.

The lint filter can be rinsed with hot water if clogged or clotted.

- Rinse the filter with hot water.
- Dry the lint filter before putting it back in place.

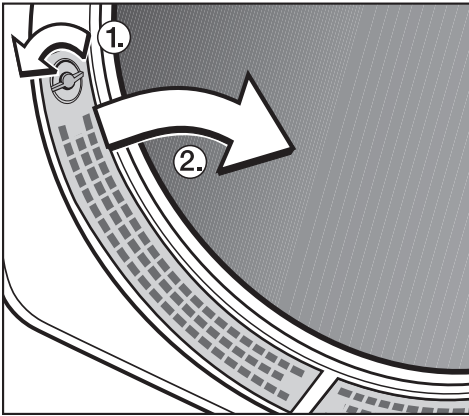
Inserting the lint filter

- Return the cleaned lint filter.
- Close the door.

⚠ Check and clean the lint filter when the following message shows: "Clean out airways".

Cleaning and Care


Cleaning the grid filter





Clean the grid filter in the door opening and the hollow part below the filters once a month.

- Turn the knobs, a of the left and right grid filter until a click is heard.
- Holding the knobs pull the filters up and clean.
- Clean the filters with hot water and dry thoroughly.
- Clean the hollow part below the filters with a brush or a vacuum cleaner.
- Reinsert the filters.
- Lock the filters into place by turning the knobs until a click is heard.

Cleaning the exterior and the control panel

 To reduce the risk of electric shock, disconnect this appliance from the power supply by unplugging or tripping the circuit breaker.



 Do not use abrasive cleaners, glass cleaners or all-purpose cleaners. They will damage the dryer.

 Do not hose the dryer down.

- The exterior and the control panel can be cleaned with warm water and liquid dish soap applied with a soft sponge. Wipe dry using a soft cloth.
- Stainless steel parts can be cleaned with a non-abrasive stainless steel cleaner.
- Wipe clean with a soft cloth.

Repairs to electrical appliances must only be carried out by a qualified and trained technician in accordance with local and national safety regulations. Unauthorized repairs could cause injury or machine damage.

Check and fault messages in the display

What if	Possible cause	Solution
 <p>Adjust the load</p>	<p>This is not a fault.</p> <p>The electronic notes that no laundry is in the drum and cancels the program.</p> <p>Single items or already dried laundry can also cause a program stop.</p>	<p>Single items should be dried with a "Timed drying" program.</p> <p>To delete the message:</p> <ul style="list-style-type: none"> – Open the door.
 <p>Technical fault</p> <p>A numerical fault message shows, e.g. "F47".</p>	<p>The fault cannot be detected immediately.</p> <p>In some cases "Clean out airways" is displayed.</p>	<ul style="list-style-type: none"> – See "Clean out airways". <p>To delete the message:</p> <ul style="list-style-type: none"> – Confirm with "OK". <p>If the problem persists call Miele Technical Service Department.</p>

Frequently asked questions

What if	Possible cause	Solution
Clean out airways	The dryer does not work at its optimum or not efficiently. Possible cause: clogging by lint or detergent residues	<ul style="list-style-type: none"> – Usually cleaning the lint filter fixes the problem. If the problem persists, check all possibilities as described under "The program runs too long or stops". To delete the message: <ul style="list-style-type: none"> – Confirm with "OK".
	The exhaust duct maybe very long. This is not a fault.	With a long exhaust duct, program times and energy consumption increase.
		The cycle of the "Clean out airways" indicator can be adjusted. <ul style="list-style-type: none"> – See "Menu Settings - Supervisor level - Cleaning the airways".
Program change not possible	A running program needs to be changed.	To select a different program, the running program must be canceled.
Progr. end time delayed	This is not a fault.	While the delay start time was counting down, the settings were changed or there was a power failure.



Frequently asked questions

Other faults		
What if ...	Possible fault	Solution
The program runs too long or stops.	In some cases "Clean out airways" is displayed. See "Clean out airways". Open and close the dryer door.	
	The air supply is insufficient.	Open a window or door to increase air flow.
	The lint filter is clogged with lint.	Remove the lint.
	The exhaust hose or the connection is clogged with lint.	<ul style="list-style-type: none"> – Check regularly on the exhaust parts (e.g. wall vent duct, louvered wall vent, bends, etc.) for air permeability. – Remove the lint.
	The laundry was not spun sufficiently in the washer.	Spin laundry thoroughly before drying.
	The dryer is over-loaded.	Regard the maximum load size per program.
The laundry is not dry enough.	Metallic zippers prevent a correct measurement of the laundry's residual moistness.	<ul style="list-style-type: none"> – Open the zippers of the laundry before drying. <p>If the problem persists, dry the items with long zippers only in the "Warm air" program.</p>
	The load contained too many dissimilar items (size and fabrics.)	<ul style="list-style-type: none"> – Continue drying on the "Warm air" program. – See the "Program Guide" for suitable programs.

Frequently asked questions

What if ...	Possible fault	Solution
<p>What if there is condensed water in the drum?</p>	<p>The dryer is connected to a collective exhaust duct where the non-return flap does not work correctly.</p>	<ul style="list-style-type: none"> – The dryer must only be installed with a non-return flap to the collective exhaust duct. – Check the non-return flap regularly for damages and replace if necessary.
<p>Items of synthetic fabrics have static cling after drying.</p>	<p>Synthetics are prone to static cling.</p>	<p>Use liquid fabric softener in the last rinse of the wash to minimize the static cling during drying.</p>
<p>Lint has built up.</p>	<p>Lint is the result of friction caused by items being worn and washed. This lint is loosened during drying. It has been established by research institutes, that dryers have no detrimental effects on the lifetime of fabrics.</p>	<p>The lint is collected in the lint filters and can be easily cleaned (see "Cleaning and Care").</p>

Frequently asked questions

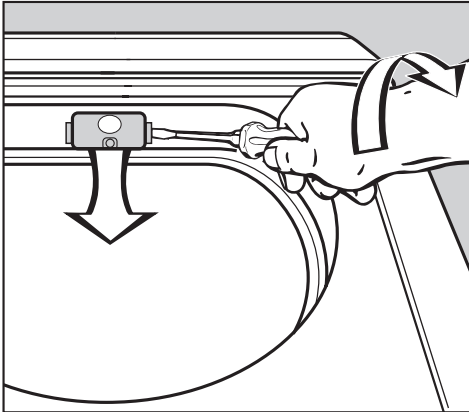
What if	Possible cause	Solution
A program cannot be started, the display remains dark.	The fault cannot be detected immediately.	<ul style="list-style-type: none"> – Is the dryer connected to the power mains? – Is the door closed? – Are the fuses blown?
The drum light does not come on.	The light turns off automatically (energy saving).	After closing and opening the door the light comes back on.
	The bulb may be bad or burned out.	Change the light bulb. See "Changing the light bulb".
The display shows a foreign language.	A different language was selected under "Settings  – Language  .	Select the desired language. The flag symbol leads you to the setting.
The "Start" indicator flashes when selecting a program.	This is not a fault. It indicates that the program can be started.	After the program was started, the indicator lights steadily.
The display is dark, the ring light of the program selector does not light. The "Start" indicator flashes slowly.	The display and the program selector go into "Standby" to save energy.	Press a button or turn the program selector, the display or program selector will come back on.
	The program selector light goes out when the "Settings" menu is selected.	The program selector light lights when a program is selected.
	If the problem cannot be fixed, call the Technical Service.	Call the Miele Technical Service Department.

Frequently asked questions

Changing the light bulb

To reduce the risk of electric shock, disconnect this appliance from the power supply by unplugging or tripping the circuit breaker.

- Open the door.



The bulb cover is located along the upper rim of the drum opening.

- Slide a screwdriver with a wide head underneath the side edge of the bulb cover and twist (see illustration).
- Flip down the bulb cover.
- Replace the light bulb with a temperature proof bulb available from Miele.

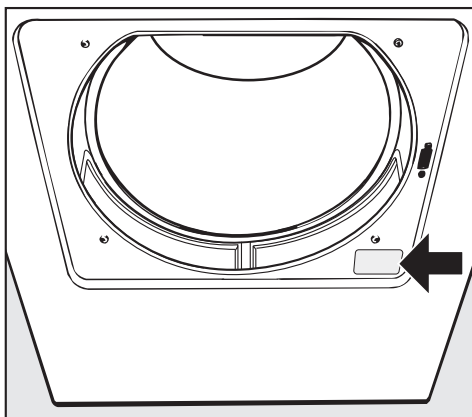
The light bulb must not exceed the maximum wattage quoted on the data plate.

- Replace the light bulb with a new one.
- Flip the light bulb cover upwards and press it firmly onto the left and right side until it clicks into place.

⚠ Make sure the bulb cover is securely closed to prevent a short circuit or penetrating moisture. Penetrating moisture can cause a short circuit.

In the event of a fault which you cannot fix yourself, please contact the Miele Technical Service Department at the address on the back of this booklet.

When contacting the Service Department, please quote the model and serial number of your appliance. They can be found on the data plate located below the drum opening.

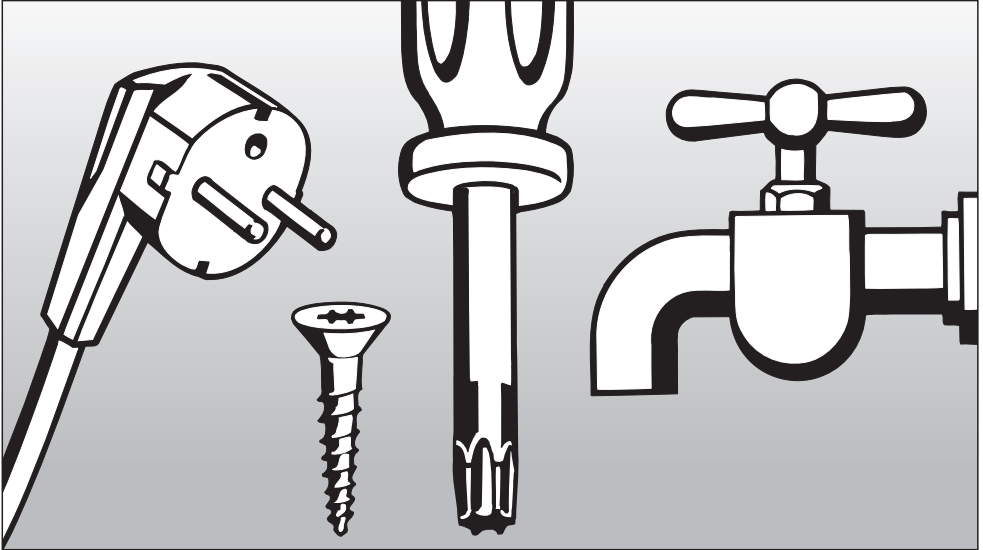


The **PC** indicator allows a service technician to check and update the drying programs.

The update allows future developments of fabrics, detergents and drying programs to be incorporated into the machine's electronic control.

Optional accessories

Optional accessories are available from Miele.

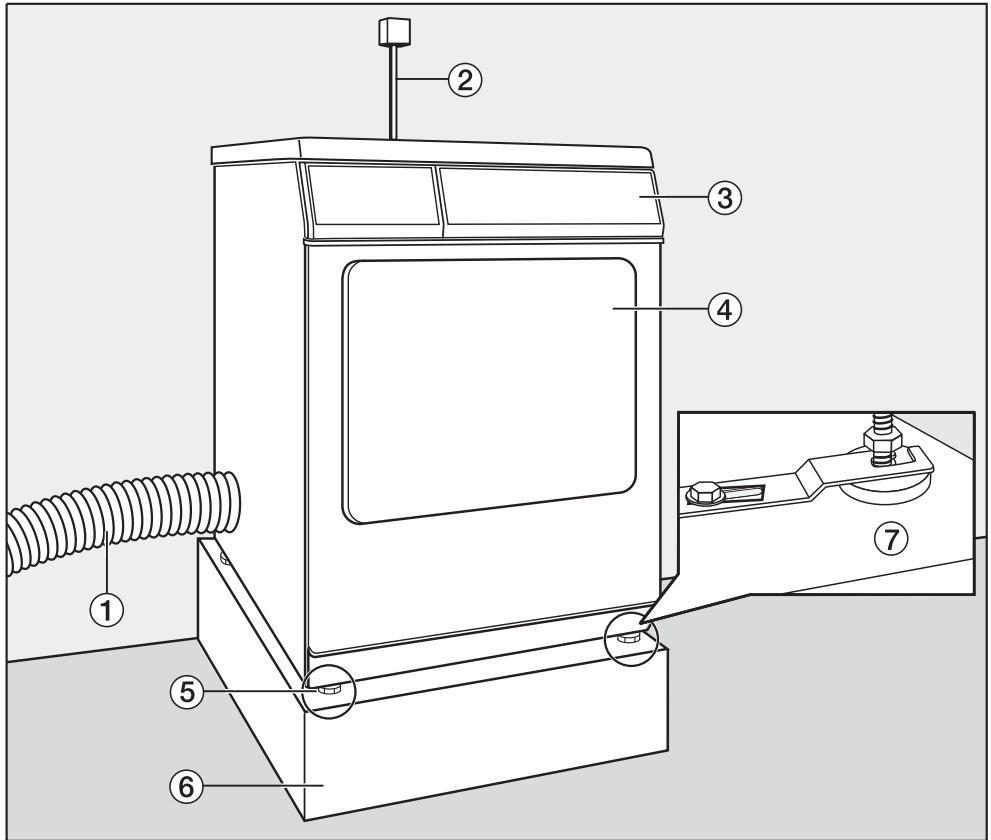


Installation Instructions

To prevent accidents
and machine damage
read these instructions
before
installation or use.

Installation

Front view



① Exhaust connection

The exhaust hose can be installed either at the rear, left or right of the dryer.

② Power cord

③ Control panel

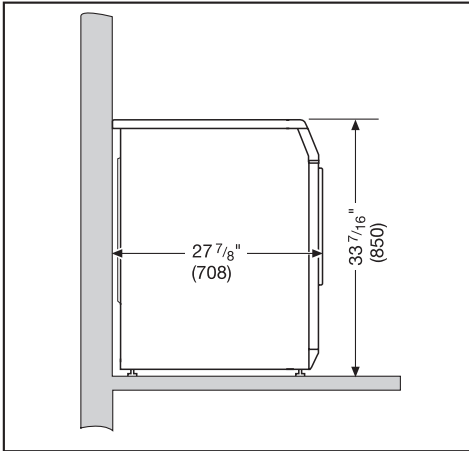
④ Door

⑤ Four height adjustable feet

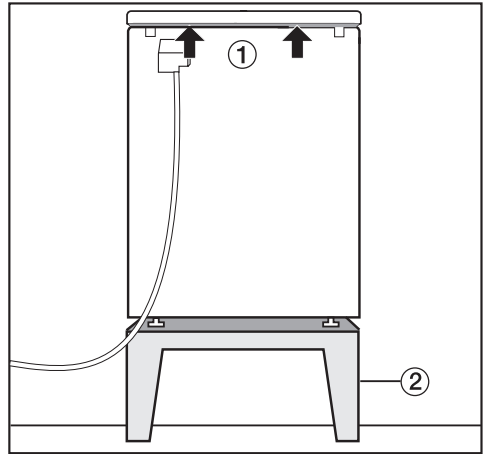
⑥ Cement base

⑦ Fixing bracket (for installing on a concrete plinth)

Side view



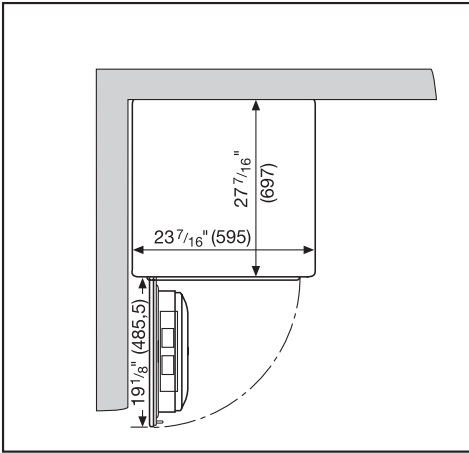
Rear view



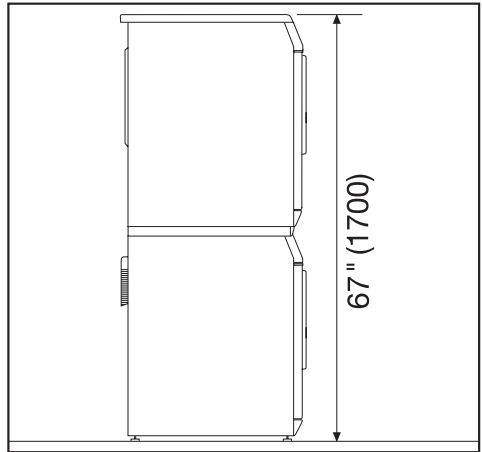
- ① Lid over hang with transport grips (arrow)
- ② Stand (Optional accessory)

Installation

Top view

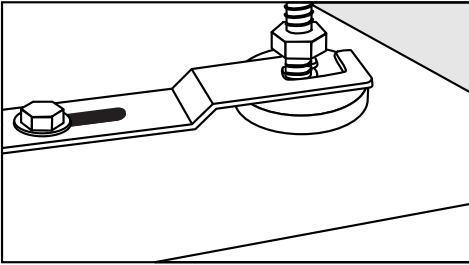


Washer/ Dryer Stack



The Miele dryer can be installed as part of a washer-dryer stack in combination with a Miele washer. An appropriate "stacking kit" available from Miele is required. Installation of the stacking kit must be completed by a Miele Service Technician.

Installation on a cement base




- Secure both front feet on the dryer using the fixing brackets supplied.

Coin mechanism


The dryer can be equipped with a coin mechanism (optional accessory). Miele's Technical Service will install the coin mechanism and program the dryer electronic.

Empty the coin mechanism regularly to avoid the coins getting jammed.

 Do not install devices to automatically turn the dryer off, e.g. clock timers.

Installation

Installation

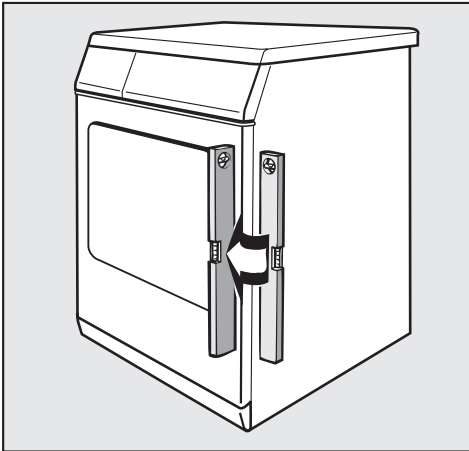
 Do not install a lockable or slide door in the pivoting area of the dryer door.

Transporting the dryer to the installation site

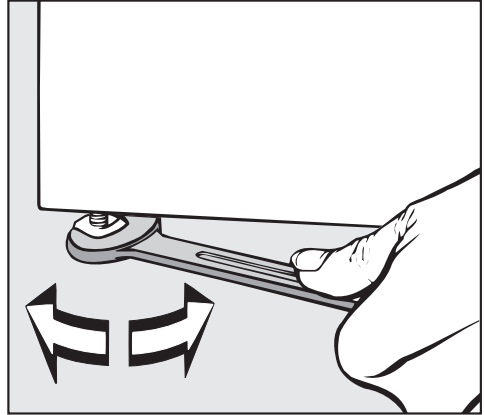
The rear overhang of the lid has transport grips.

- Use the front dryer feet and the rear overhang to transport the dryer from the packaging base to the installation site.


Level the dryer



The dryer must be level to ensure safe and proper operation.




- The machine can be leveled by turning the legs clockwise or counterclockwise as necessary.

 An air gap of 3/8" (10 mm) must be provided between the machine and the floor. The vents must not be blocked by toe kicks, long piled carpet, etc.

This dryer cannot be installed under a countertop.

Electrical connection

 This installation should be performed by an experienced and qualified technician, in accordance with local codes and regulations.


The dryer comes with a power cord without a plug.


The machine is supplied as standard for connection to a 208 V, 60 Hz, 3 x 30 A, 3-phase electrical supply.

For extra safety it is advisable to install a residual current device (RCD) with a trip current of 30 mA.

If the machine is hard wired, three 30 A circuit breakers must be provided on-site. Switches with a contact gap of more than 1/8" (3 mm) are valid as separators. All components have to bear CSA or UL approval.


The machine must only be connected to the voltage and frequency shown on the data plate.


 To convert the machine to another electrical connection, please read the conversion manual on the wiring diagram inside the dryer. The conversion must be performed by a Miele Service Technician.

 Do not install devices to automatically turn the dryer off e.g. clock timer.

Installation of exhaust venting

General notes

 The dryer must only run if the moist exhaust air from the drying process is conducted outside by an installed exhaust duct vent.

 Disconnect the dryer from the mains during installation of the exhaust duct.

The exhaust connection (e.g. a wall pipe) must be installed, so that the moist exhaust air cannot get drawn back into the installation room and cause constructional damage or unreasonable disturbance.

Provide sufficient venting in the room where the dryer is installed by opening a window or installing unlockable ventilation openings in the wall.

Danger of suffocation by suction of exhaust fumes.

Installation of exhaust venting

How to calculate the effective duct length

The overall duct length will determine the duct diameter.

■ Measure the actual duct length needed to go from the dryer's exhaust connection to the vent outlet:

1. Establish the number of elbows or bends necessary, noting the type of bend, angle and radius involved (see Table).
2. Add the additional duct length (as derived by using the values specified in the table) and the actual duct length to get the effective length.

Note:

Maximum effective duct lengths:

4" (100 mm) diameter	66 ft (20 m)
5" (125 mm) diameter	132 ft (40 m)
6" (150 mm) diameter	328 ft (100 m)

Using the ring adapter up to an effective duct length of 33 ft (10 m) and a standard duct diameter of 4" (100 mm) will provide optimal drying times and energy consumption.

Do not use the ring adapter if the effective duct length is more than 33 ft (10 m).

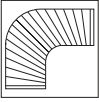

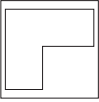
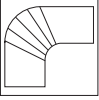
Effective duct lengths over 66 ft (20 m) require a larger duct diameter.

Longer ducts may lead to slight decreases in dryer efficiency if the necessary duct diameter is not employed.

Tips about the ductwork

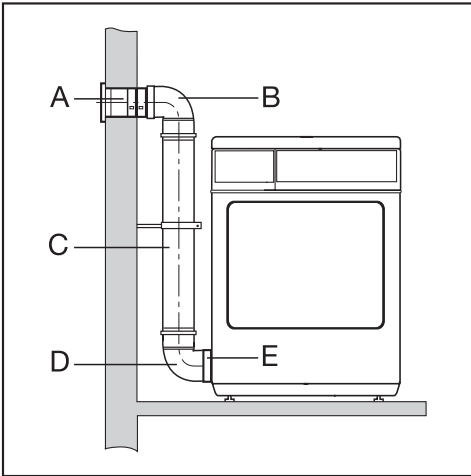
- Check with your local building code to determine the maximum allowable duct length.
- Use a flexible metal pipe or rigid a metal pipe for venting. Non-metallic flexible hose should not be used, it is a potential fire hazard.
- Use the wall vent or window connection (optional accessories) for venting outdoors.
- For optimal drying results avoid long ducting with too many bends, angles or tight corners.
- The shorter the exhaust ductwork, the more efficient the dryer will be. Expelled air is slowed down in the ducts due to friction against the inner walls. The shorter and smoother the inner walls are, the less friction will be created.
- An elbow or bend creates more friction than a straight duct. An additional duct length factor must be added for each elbow or bend (see Table). This factor expresses the resistance of the bend in terms of a straight length of duct. The additional length factor is then added to the existing duct to give the effective length. A larger duct diameter helps reduce friction. Therefore the duct diameter and length should be increased simultaneously.

Installation of exhaust venting

Additional duct lengths (4" rigid pipe only)				
Type of bend	Radius		Additional duct length	
	ft	cm	ft	cm
Flexible metal duct – 3' 3" (1 m) straight – 45° angle – 90° angle 	10"	25	5' 11"	180
	10"	25	4' 11"	150
	10"	25	8' 2"	250
Smooth metal duct – 3' 3" (1 m) straight – 45° angle – 90° angle 	10"	25	3' 3"	100
	10"	25	1' 11"	60
	10"	25	2' 7"	80
Elbow 90° sharp 			7' 6"	230
Concertina bend – 90° angle 	8"	20	2' 4"	70
Wall vent or window vent – with louvers – with flap			12' 5"	380
			4' 11"	150
Exhaust connection – left or right side			3' 3"	100

Installation of exhaust venting

Example: Calculating the effective duct length and required internal duct diameter



Rigid pipe		Duct length ft	Duct length m
A	Wall duct with louvered wall vent	12' 5"	3.8 m
B	90° bend	2' 7"	0.8 m
C	20" (0.5 m) rigid pipe	1' 7"	0.5 m
D	90° bend	2' 7"	0.8 m
E	left vent opening	3' 3"	1.0 m
Total duct length		22' 5"	6.9 m

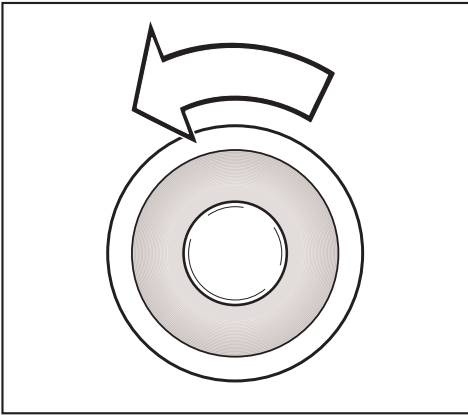
The total duct length is less than 33 feet (10 m), so a duct diameter of 4" (100 mm) with adapter is sufficient.

Installation of exhaust venting

Determining the position of the exhaust connection

The exhaust connection can be left at the rear of the dryer (factory standard) or moved to the left or right side of the dryer.

Changing the position of the exhaust connection



- Remove the cap turning it counterclockwise.
- Press the supplied cover firmly into the rear opening.

Install the exhaust duct as follows.

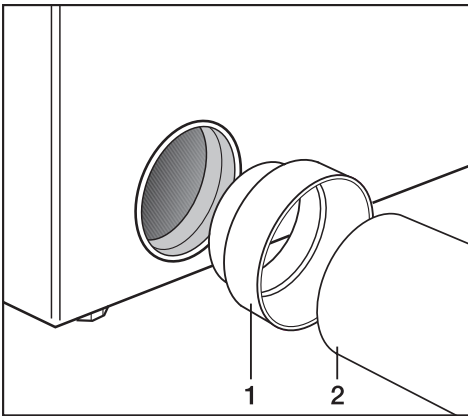
Installation of exhaust venting

Exhaust connection with a flexible exhaust hose or rigid pipe

Using the connector supplied, an exhaust hose (4" [100 mm] diameter) can be installed.

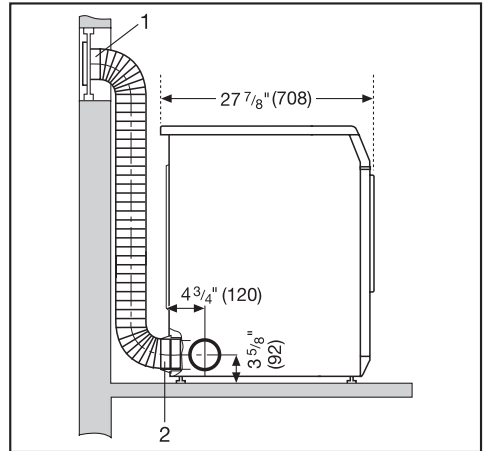
Necessary materials:

- the supplied connector
- a wall or window duct (optional accessory)
- an exhaust hose made of approved non-flammable material.
- rigid pipe is more suitable for long ducts (less friction)



- Install the connector, **1**, with the exhaust hose or pipe, **2**, to the dryer.

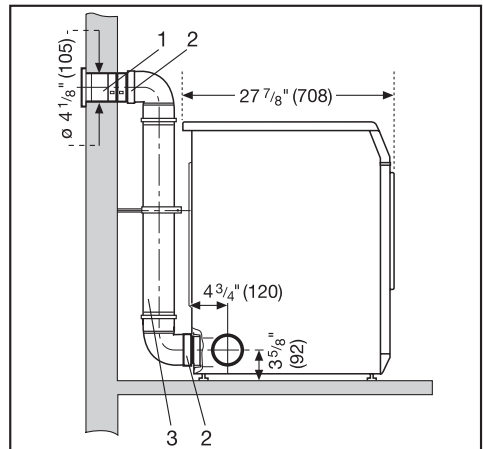
Window connection



1 Window connection (installed in a plexiglass pane)

2 Connector for the flexible exhaust hose

Wall connection with rigid pipe



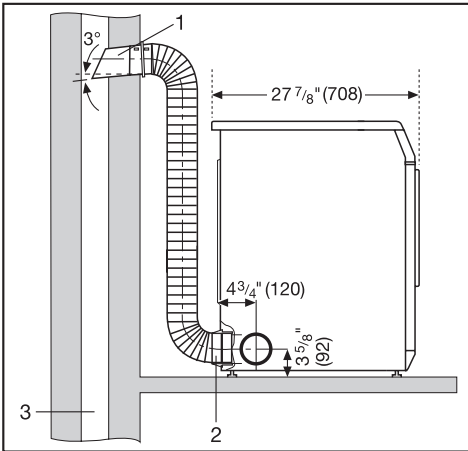
1 Wall pipe

2 Connector


3 Rigid pipe

Installation of exhaust venting

Chimney connection



- 1 Pipe with connection nozzle
(= single parts of the Miele wall pipe)
- 2 Connector for the flexible exhaust hose
- 3 Chimney, humidity insulated

 The appliance must not be connected to a chimney or vent flue which is in use. Neither should it be connected to ducting which ventilates rooms with fireplaces.

Installation of exhaust venting

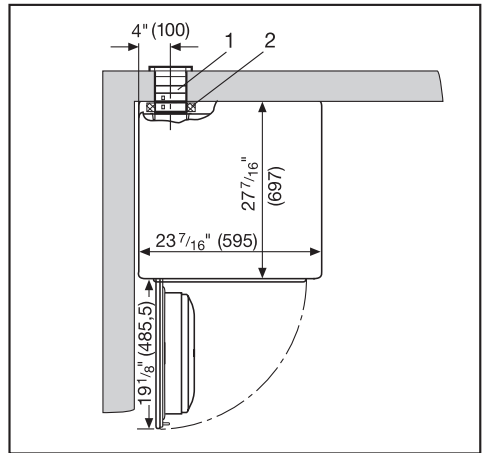
Direct wall connection

This venting type is ideal if the dryer can be installed directly at an outer wall. The shorter the exhaust ductwork, the more efficient the dryer will be. However, for the wall pipe to be installed a hole must be cut through the outer wall. Regard the Install manual for the Miele wall pipe and the dimension illustrations below.

Necessary materials:

- wall pipe (optional accessory)
- a flexible spacer ring (optional accessory)

Dryer top view

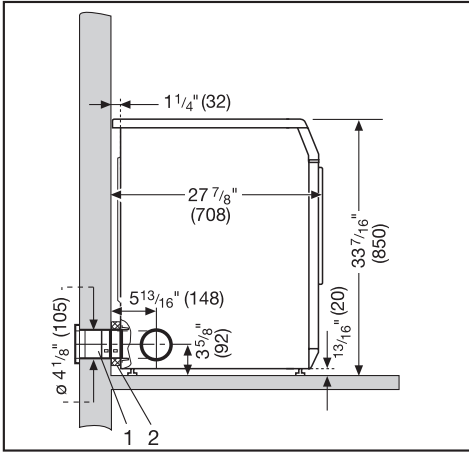


1 Wall pipe

2 Flexible foam gasket (space ring)

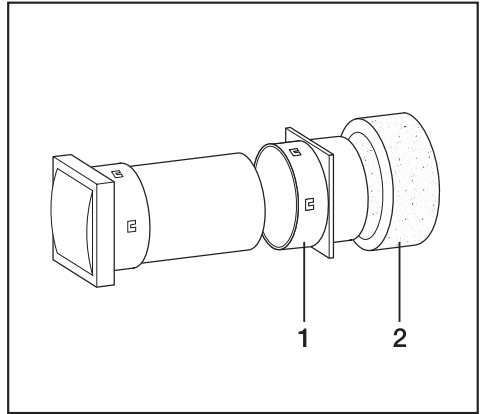
Installation of exhaust venting

Dryer side view



1 Wall pipe

2 Flexible foam gasket (space ring)

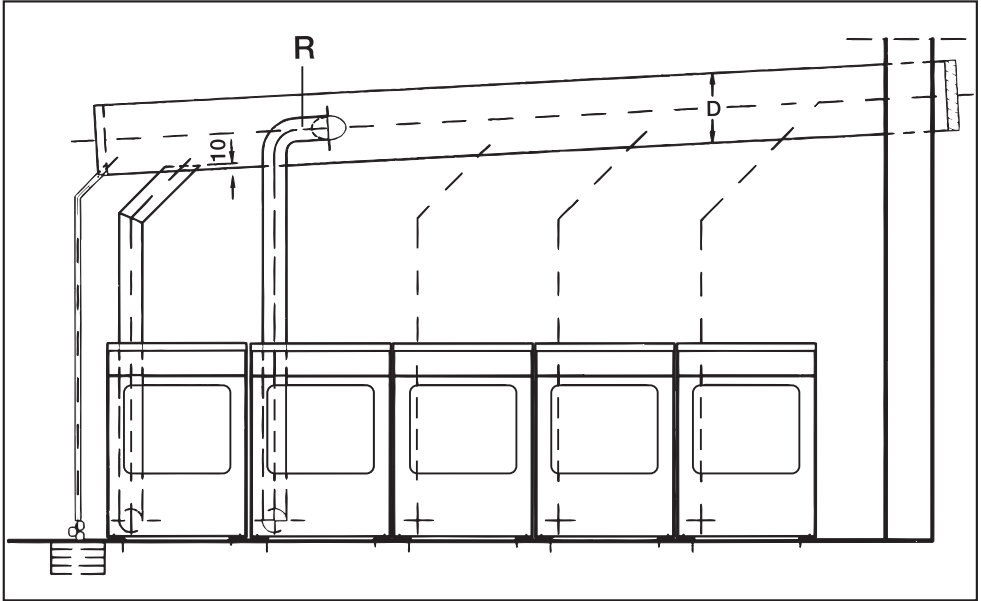



■ Connect the flexible space ring, **2**, to the wall pipe connector, **1**.

■ Push the dryer to the wall.

Installation of exhaust venting

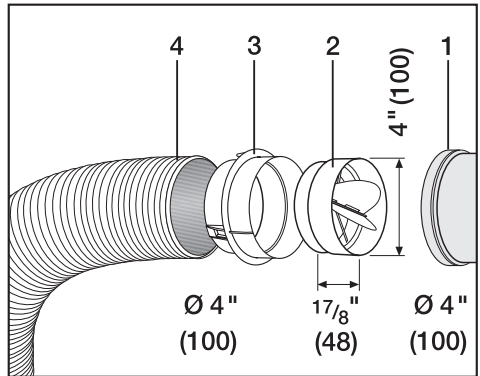
Collective exhaust duct



 A non-return flap* (optional accessory, see right picture) per dryer must be installed directly into the collective exhaust duct. Otherwise the dryers can be damaged and the electrical safety compromised.

When installing multiple dryers, increase the duct diameter.

Number of units	Increasing factor for duct diameter from table 2
2	1
3	1.25
4 - max. 5	1.5



1 Connection to collecting duct

2 Non-return flap*

3 Additional adapter*

4 Vent hose*

■ Push the non-return flap, **2**, into the adapter, **3**.

Technical Data

Height	33 7/16" (850 mm) (adjustable + / - 1/4" (7 mm))
Width	23 7/16" (595 mm)
Depth	27 9/16" (700 mm)
Depth with the door open	46 3/4" (1,188 mm)
Weight	117 lbs (53 kg)
Drum	28.6 gal (130 l)
Maximal load	14.3 lbs (6.5 kg) Dry laundry weight
Power cord	63" (1,600 mm)
Fuse rating	see data plate
Rated load	see data plate
Fuse rating	see data plate
Light load	see data plate
Testing approvals	Radio/TV Suppression (VDE in Germany)
Maximum floor pressure during operation	approx. 159 lbs (72 kg)
Noise level (according to 3. GSGV)	< 70 dB (A)

Disposal of the packing materials

The cardboard box and packing materials protect the appliance during shipping. They have been designed to be biodegradable and recyclable.

To prevent suffocation of children, ensure that any plastic wrappings, bags, etc. are disposed of safely and kept out of the reach of children.

Disposal of an appliance


Old appliances may contain materials that can be recycled. Please contact your local recycling authority about the possibility of recycling these materials.

Ensure that a discarded dryer presents no danger to children. While being stored for disposal remove the door to the drying compartment.

Menu Settings to adjust standard settings

The dryer controls can be adjusted to changing demands through the settings.

Depending on default settings

- some settings are visible and can be changed by all users (Menu "Settings ")

or

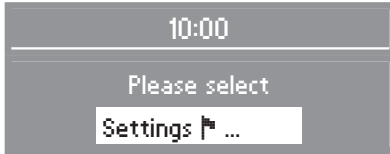
- all settings are locked in the "Supervisor level" by a code (Menu "Settings - Supervisor level").

Contact Miele Technical Service.

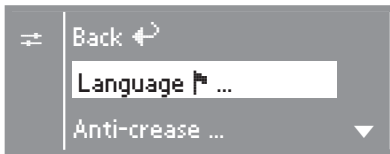
Settings

Opening the menu "Settings"

- 1 The basic menus with the current time of day shows as long as no program is selected.

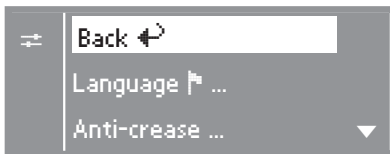


- 2 Confirm with "OK".
- 3 The "Settings" menu is selected.




- 4 Set the desired setting with the buttons +/- and confirm with **OK**.
- The arrow ▼ in the display shows that additional selections can be made.
 - If no selection is made in the submenu, the display will switch back to the "Settings" menu after 15 seconds.

Leaving the "Settings" menu



- Select "Back" and confirm with "OK".

Language

The displayed language can be set in the submenu "Language" .

The flag behind the word "Language" is a guide to find the settings menu in case a foreign language is selected.

Anti-crease

The drum will continue to turn in intervals for one hour after the program has ended if the laundry is not immediately removed.

Delivery status **on**

Time of day

This selection allows the clock to be shown as 24 hours, 12 hours or not at all.
Then the clock can be set.


24 h clock

The time of day will be displayed in military time.

12 h clock

The time of day will be displayed in 12 hour rhythm.

Time not displayed

When  is selected the time will only be displayed when it is relevant to the program.

Contrast / Brightness

Display contrast and brightness can be changed in 10 levels.

The bar shows the selected level.

Standby

The display goes out after 10 minutes and the "Start" button flashes slowly to save energy.

on

Standby is turned on:

- when no program was selected.
- after pressing the "Start" button.
- at the end of a program.

not during current program (factory default)

The Standby is turned on:

- when no program was selected.

Pressing any button turns the display on again.

Buzzer

When the buzzer is selected a tone sounds at the end of a program.

Off

The end-of-program buzzer is turned off.

However, it does not turn off the warning tone indicating a fault message.

normal

The buzzer sounds at the end of a program "normal" (factory default).

loud

The buzzer sounds at the end of a program "loud".

Lengthening the cooling time

The cooling phase can be lengthened before the program is started. The laundry will be cooler.

The bar shows the selected level.

Delivery status: 0 minutes (normal cooling down phase).

- The program duration is extended respectively.

The cooling time cannot be extended in the programs "Warm air, Cool air, Woollen handcare and Smoothing".

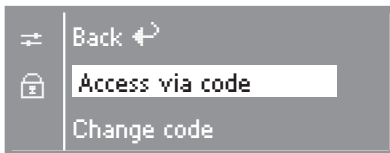
Menu Settings - Supervisor level

The menu "Settings/Supervisor level" is locked with a code to prevent unauthorized access (except "Language"). It needs to be activated by Technical Service.



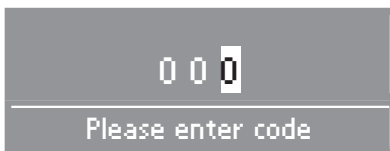
- Select the submenu "Supervisor level".

Entering the code



- Confirm "Access via code".

A three digit code must be entered.
Delivery status of the code is: **000**.



- Enter the first digit with the + button. Confirm with "OK". Enter the second and third digit.
- Confirm the code with the "OK" button or correct it pressing "-".

Supervisor level

Changing the code

The access code for the supervisor level can be changed.

- Insert the old code.
- Insert the new code.

After confirming the new code the basic menu shows.

Drying levels

The bar shows the selected level.
Factory default: middle level

- The program duration is shortened (laundry is more moist) or is extended (laundry is more dry).

Cottons and Minimum iron

The drying levels of the "Cottons" and "Minimum iron" programs can be adjusted.

Cottons Machine iron

This drying level can be adjusted separately.

Cleaning the airways

The lint filters must be cleaned after every drying cycle. Additionally the indicator "Clean out airways" lights once a certain level of lint is collected. The user can decide at which level of lint collection the indicator should come on.

off

"Clean out airways" does not light up

heavy

"Clean out airways" shows only when lots of lint is collected.

normal

Factory default

light

"Clean out airways" shows even when little lint is collected.

Cool air free

If the dryer is used with a coin mechanism, the program "Cool air" can be provided for free.

free (factory default)

Please have the model and serial number
of your appliance available before
contacting Technical Service.

Miele

U.S.A.

Miele, Inc.

National Headquarters

9 Independence Way
Princeton, NJ 08540
Phone: 800-843-7231
609-419-9898
Fax: 609-419-4298
www.mieleusa.com

Technical Service & Support Nationwide

Phone: 800-999-1360
Fax: 888-586-8056
TechnicalService@mieleusa.com



Canada

**Importer
Miele Limited**

Headquarters and Miele Centre

161 Four Valley Drive
Vaughan, ON L4K 4V8
www.miele.ca

Customer Care Centre

Phone: 800-565-6435
905-532-2272
customer care@miele.ca

Germany

Manufacturer
Miele & Cie. KG
Carl-Miele-Straße 29
33332 Gütersloh