

Heat Pump Dryer

User manual

DV9*M52****/DV8*M52****/DV7*M52****/DV9*M50****/
DV8*M50****/DV7*M50****



SAMSUNG

Contents

Safety information	4
What you need to know about the safety instructions	4
Important safety symbols	4
Important safety precautions	5
Critical installation warnings	7
Critical usage warnings	9
Usage cautions	10
Critical cleaning warnings	11
Instructions about the WEEE	12
Installation	13
What's included	13
Installation requirements	15
Dryer	17
Drain hose (if necessary)	18
Installation checklist	21
Before using the dryer	21
Door reversal	21
Operations	29
Control panel	29
Getting started	35
Special features	39
Maintenance	40
Control panel	40
Exterior	40
Drum	40
Lint filter	40
Water tank	42
Heat exchanger	43
Troubleshooting	45
Checkpoints	45
Information codes	46

Appendix	47
Fabric care chart	47
Protecting the environment	48
Specification	49
Consumption data	50
Sheet of household tumble driers	52



Safety information

Congratulations on your new Samsung dryer. This manual contains important information on the installation, use, and care of your appliance. Please take the time to read this manual to take full advantage of your dryer's many benefits and features.

What you need to know about the safety instructions

Warnings and Important Safety Instructions in this manual do not cover all possible conditions and situations that may occur. It is your responsibility to use common sense, caution, and care when installing, maintaining, or operating your dryer.

Always contact your manufacturer about problems or conditions you do not understand.

Important safety symbols

What the icons and signs in this user manual mean:

WARNING

Hazards or unsafe practices that may result in severe personal injury, death and/or property damage.

CAUTION

Hazards or unsafe practices that may result in personal injury and/or property damage.

NOTE

Indicates that a risk of personal injury or material damage exists.

Read the instructions

These warning signs are here to prevent injury to yourself and others.

Please follow them explicitly.

After reading this manual, store it in a safe place for future reference.

Read all instructions before using the appliance.

As with any equipment that uses electricity and moving parts, potential hazards exist.

To safely operate this appliance, familiarize yourself with its operation and exercise care when using it.

WARNING - Risk of Fire

- Clothes dryer installation must be performed by a qualified technician.
- Install the clothes dryer according to the manufacturer's instructions and local codes.
- To reduce the risk of severe injury or death, follow all installation instructions.



Important safety precautions

WARNING

To reduce the risk of fire, electric shock, or injury to persons when using your appliance, follow basic precautions, including the following:

1. This appliance is not to be used by persons (including children) with reduced physical, sensory or mental capabilities, or lack of experience and knowledge, unless they have been given supervision or instruction concerning use of the appliance by a person responsible for their safety.
2. **For use in Europe:** This appliance can be used by children aged from 8 years and above and persons with reduced physical, sensory or mental capabilities or lack of experience and knowledge if they have been given supervision or instruction concerning use of the appliance in a safe way and understand the hazards involved. Children shall not play with the appliance. Cleaning and user maintenance shall not be made by children without supervision.
3. Children should be supervised to ensure that they do not play with the appliance.
4. If the supply cord is damaged, it must be replaced by the manufacturer, its service agent or similarly qualified persons in order to avoid a hazard.
5. The new hose-sets supplied with the appliance are to be used and that old hose-sets should not be reused.
6. For appliances with ventilation openings in the base, that a carpet must not obstruct the openings.

Safety information

7. **For use in Europe:** Children of less than 3 years should be kept away unless continuously supervised.
8. **CAUTION:** In order to avoid a hazard due to inadvertent resetting of the thermal cut-out, this appliance must not be supplied through an external switching device, such as a timer, or connected to a circuit that is regularly switched on and off by the utility.
9. The tumble dryer is not to be used if industrial chemicals have been used for cleaning.
10. The lint trap has to be cleaned frequently, if applicable.
11. Lint must not be allowed to accumulate around the tumble dryer. (not applicable for appliances intended to be vented to the exterior of the building)
12. Adequate ventilation has to be provided to avoid the back flow of gases into the room from appliances burning other fuels, including open fires.
13. Do not dry unwashed items in the tumble dryer.
14. Items that have been soiled with substances such as cooking oil, acetone, alcohol, petrol, kerosene, spot removers, turpentine, waxes and wax removers should be washed in hot water with an extra amount of detergent before being dried in the tumble dryer.
15. Items such as foam rubber (latex foam), shower caps, waterproof textiles, rubber backed articles and clothes or pillows fitted with foam rubber pads should not be dried in the tumble dryer.
16. Fabric softeners, or similar products, should be used as specified by the fabric softener instructions.

17. The final part of a tumble dryer cycle occurs without heat (cool down cycle) to ensure that the items are left at a temperature that ensures that the items will not be damaged.
18. Remove all objects from pockets such as lighters and matches.
19. **WARNING:** Never stop a tumble dryer before the end of the drying cycle unless all items are quickly removed and spread out so that the heat is dissipated.
20. Exhaust air must not be discharged into a flue which is used for exhausting fumes from appliances burning gas or other fuels.
21. The appliance must not be installed behind a lockable door, a sliding door or a door with a hinge on the opposite side to that of the tumble dryer, in such a way that a full opening of the tumble dryer door is restricted.
22. **WARNING:** The appliance must not be supplied through an external switching device, such as a timer, or connected to a circuit that is regularly switched on and off by a utility.
Heat pump model only: The instructions shall also include the substance of the following:
WARNING: In the appliance enclosure or in the built-in structure, keep ventilation openings clear of obstruction.
WARNING: Do not damage the refrigerant circuit.

Critical installation warnings

WARNING

The installation of this appliance must be performed by a qualified technician or service company.

- Failure to do so may result in electric shock, fire, an explosion, problems with the product, or injury.



Safety information

Plug the power cord into a wall socket and use the socket for this appliance only. In addition, do not use an extension cord.

- Sharing a wall socket with other appliances using a power strip or extending the power cord may result in electric shock or fire.
- Ensure that the power voltage, frequency and current are the same as those of the product specifications. Failure to do so may result in electric shock or fire. Failure Plug the power plug into the wall socket firmly.

Remove all foreign substances such as dust or water from the power plug terminals and contact points using a dry cloth on a regular basis.

- Unplug the power plug and clean it with a dry cloth.
- Failure to do so may result in electric shock or fire.

Keep all packaging materials well out of the reach of children, as packaging materials can be dangerous to children.

- If a child places a bag over its head, it may result in suffocation.

This appliance must be properly grounded.

Do not ground the appliance to a gas pipe, plastic water pipe, or telephone line.

- This may result in electric shock, fire, an explosion, or problems with the product
- Never plug the power cord into a socket that is not grounded correctly and make sure that it is in accordance with local and national codes.

Do not install or keep the product exposed to the outdoor elements.

Do not use a damaged power plug, damaged power cord or loose wall socket.

- This may result in electric shock or fire.

If the plug (power supply cord) is damaged, it must be replaced by the manufacturer or its service agent or a similar qualified technician in order to avoid a hazard.

This appliance should be positioned to be accessible to the power plug after installation.

Do not pull or excessively bend the power cord.

Do not twist or tie the power cord.

Do not hook the power cord over a metal object, place a heavy object on the power cord, insert the power cord between objects, or push the power cord into the space behind the appliance.

- This may result in electric shock or fire.

Do not pull the power cord, when unplugging the power plug.

- Unplug the power plug by holding the plug.
- Failure to do so may result in electric shock or fire.



This appliance must be properly grounded. Never plug the power cord into a receptacle that is not grounded adequately and in accordance with local and national codes. See installation instructions for grounding this appliance.

Install this appliance in a location with solid, level floor.

- Failing to do so may result in abnormal vibrations, noise or problems with the product.

Since an ingredient in hair spray may degrade the hydrophile property of the heat exchanger so that dew may appear on the outer surface of the appliance when the cooling operation is running, do not install the appliance in a beauty salon.

This appliance should be positioned so that the power plug, the water supply taps, and the drain pipes are accessible.

Critical usage warnings

WARNING

Do not let children or pets on or into the product. In addition, when disposing of this product, disassemble the door lock (lever).

- This may result in children falling and injuring themselves.
- If children become locked in the product, there is a danger of suffocation.

Do not try to access the inside of the product when the drum is rotating.

Do not sit on the product or lean against the door.

- This may result in the product turning over and resulting in injury.

Dry the laundry only after it was spun by an appropriate washing machine.

Do not dry unwashed items in the tumble dryer.

Do not drink the condensed water.

Never stop a tumble dryer before the end of the drying cycle unless all items are quickly removed and spread out so that the heat is dissipated.

Do not dry laundry contaminated by inflammable materials such as gasoline, kerosene, benzene, thinner, alcohol, etc.

- This may result in electric shock, fire or explosion.

Do not let pets chew or play with the dryer.

- This may result in electric shock or injury.

When disposing of the product, separate the door and the power cord before disposing of the product.

- Failing to do so may result in damage to the power code or an injury.

Do not touch the power plug with wet hands.

- This may result in electric shock.



Safety information

When gas (city gas, propane gas, LP gas) leaks, do not touch this appliance or the power cord, ventilate immediately.

- At this time, do not use the ventilating fan.
- A spark may cause an explosion or fire.

Do not repair, replace, or attempt to service any part of the appliance unless specifically recommended in the user-repair instructions. You must also have the skills necessary to service this appliance.

Do not attempt to repair, disassemble, or modify the appliance yourself.

- Do not use any fuse (such as copper, steel wire, etc.) other than the standard fuse.
- When repairing or reinstalling the appliance is required, contact your nearest service center.
- Failure to do so may result in electric shock, fire, problems with the product, or injury.

The product you have purchased is designed for domestic use only.

The use for business purposes qualifies as product misuse. In this case, the product will not be covered by the standard warranty provided by Samsung and no responsibility can be attributed to Samsung for malfunctions or damages resulting from such misuse.

If the product generates strange noise, smells of something burning, or generates smoke, immediately cut-off the power and contact the service center.

- Otherwise, it may cause an electric shock or fire as a result.

Do not let children (or pets) play in or on your product. The product door does not open easily from the inside and children may be seriously injured if trapped inside.

Usage cautions

CAUTION

Do not stand on top of the appliance or place objects (such as laundry, lighted candles, lighted cigarettes, dishes, chemicals, metal objects, etc.) on the appliance.

- This may result in electric shock, fire, problems with the product, or injury.

Do not touch the glass door and inside of the drum during or just after drying as it is hot.

- This may result in burns.

Do not press the buttons using sharp objects such as pins, knives, fingernails, etc.

- This may result in electric shock or injury.

Do not dry laundry containing forming rubber (latex) or similar rubber textures.

- If forming rubber is heated, it may start a fire.



Do not dry laundry contaminated by vegetable oil or cooking oil as a large amount of the oil will not be removed when washing the laundry. In addition, use the Cool Down cycle so that the laundry is not heated.

- The oxidization heat of the oil may start a fire.

Make sure that the pockets of all clothing to be dried are empty.

- Hard, sharp objects, such as coins, safety pins, nails, screws, or stones can cause extensive damage to the appliance.

Do not dry clothing with large buckles, buttons, or other heavy metal (zippers, hooks and eyelets, button-up covers).

If necessary, use the laundry net for small and lightweight laundry such as fabric tie belt, apron strings, and underwire bras which can dissolve or break during a cycle.

Recommend against using drying sheets to reduce static electricity as this could lead to damage to your laundry and also potential damage to the appliance.

- This may result in damage to the laundry.

Do not use the dryer near dangerous powders such as coal dust, wheat flour, etc.

- This may result in electric shock, fire or an explosion.

Do not place inflammable materials near the product.

- This may result in toxic gases from the product, damage to parts, electric shock, fire or an explosion.
- The appliance should not be placed behind lockable doors etc.

Do not touch the rear side of the appliance during or immediately after drying is complete.

- The appliance remains hot and may cause burns.

Contains fluorinated greenhouse gases.

Hermetically sealed equipment.

Do not vent gases into the atmosphere.

Refrigerant (Type): R-134a (GWP = 1430)

Refrigerant (Charging)

- DV**M52**** : 0.37kg, 0.529tCO₂e
- DV**M50**** : 0.32kg, 0.458tCO₂e

Critical cleaning warnings

WARNING

Do not clean the appliance by spraying water directly onto it.

Do not use benzene, thinner or alcohol to clean the appliance.



Safety information

- This may result in discoloration, deformation, damage, electric shock or fire.

Before cleaning or performing maintenance, unplug the appliance from the wall socket.

- Failure to do so may result in electric shock or fire.

Clean the filter case before and after using the dryer.

Clean the inside of the product on a regular basis by asking an authorized service engineer.

Clean the Heat Exchanger with a soft brush or vacuum cleaner once a month, Do not touch the heat exchanger with your hand. Otherwise, it may cause an injury.

The interior of the dryer should be cleaned periodically by qualified service personnel.

Instructions about the WEEE

Correct Disposal of This Product (Waste Electrical & Electronic Equipment)

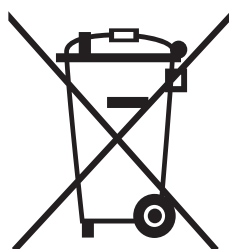
(Applicable in countries with separate collection systems)

This marking on the product, accessories or literature indicates that the product and its electronic accessories (e.g. charger, headset, USB cable) should not be disposed of with other household waste at the end of their working life. To prevent possible harm to the environment or human health from uncontrolled waste disposal, please separate these items from other types of waste and recycle them responsibly to promote the sustainable reuse of material resources.

Household users should contact either the retailer where they purchased this product, or their local government office, for details of where and how they can take these items for environmentally safe recycling.

Business users should contact their supplier and check the terms and conditions of the purchase contract. This product and its electronic accessories should not be mixed with other commercial wastes for disposal.

For information on Samsung's environmental commitments and product specific regulatory obligations e.g. REACH visit: samsung.com/uk/aboutsamsung/samsungelectronics/corporatecitizenship/data_corner.html

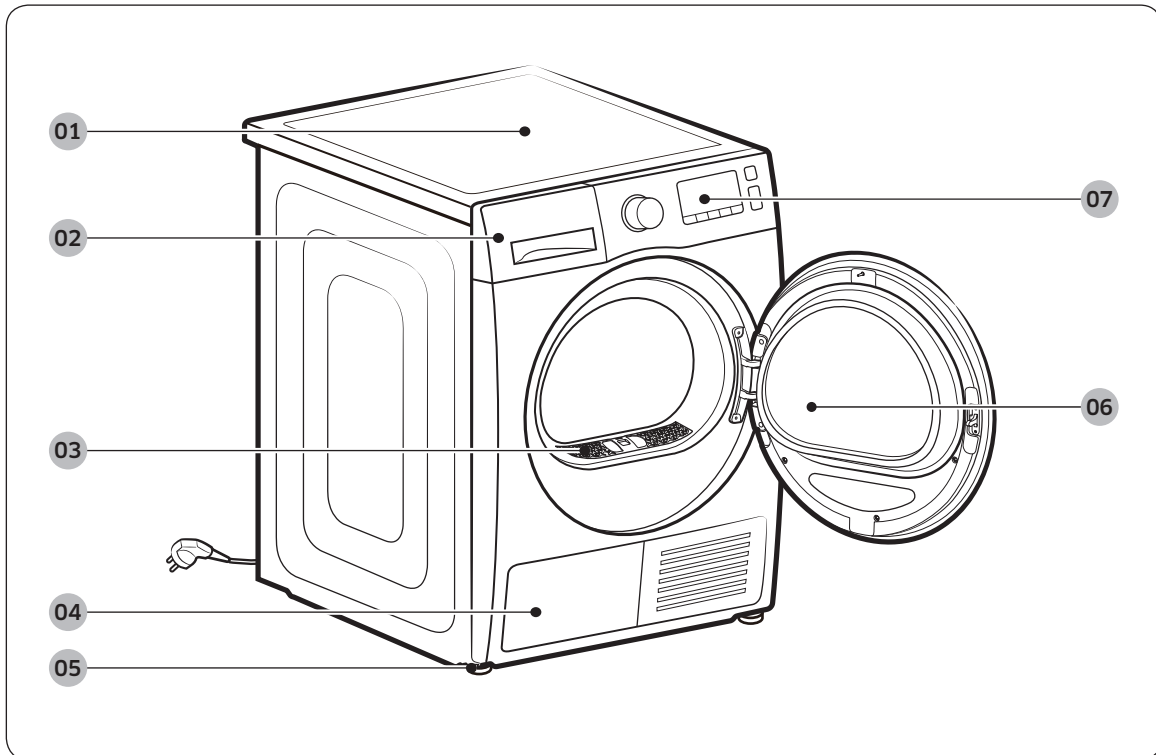


Installation

What's included

Carefully unpack the dryer. Keep all packaging materials away from children. The parts and location of parts shown below may differ from your dryer. Before installation, make sure the dryer has all the parts listed here. If the dryer and/or parts are damaged or missing, contact the nearest Samsung customer service center.

Dryer at a glance



01 Top cover

03 Lint filter

05 Levelling Leg

07 Control Panel

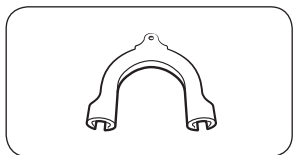
02 Water Tank

04 Heat exchanger

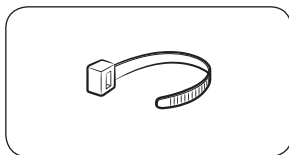
06 Door

Installation

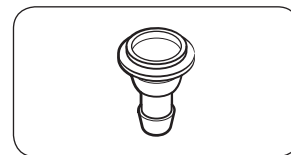
Accessories (supplied)



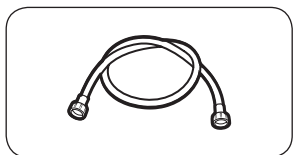
Hose guide



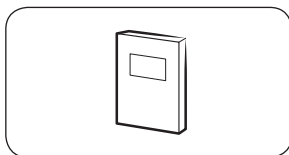
Cable tie



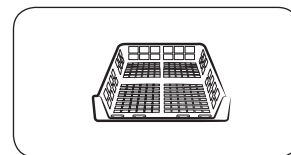
Hose connector



Long drain hose (2 m)

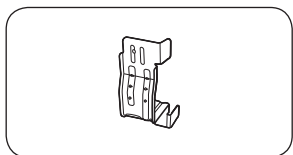


User manual

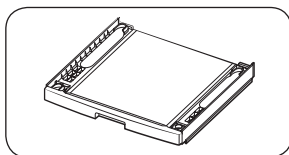


Rack Dry (applicable models only)

Accessories (not supplied)



Bracket-Stacking kit
(Part # SK-DH; SK-DA; SKK-DF)



Stacking kit
(SKK-DD, SKK-DDX)

NOTE

- The stacking kit allows the dryer to be stacked on top of a washer. Please note that the stacking kit can only be used with Samsung washers and dryers. To purchase a stacking kit (Part # SK-DH; SK-DA; SKK-DF), contact a Samsung service center or local appliance retailer. The stacking kit differs with the model.
- For stacking instructions with the dryer, see the installation manual included in the stacking kit.
- For information about model-specific availability of the stacking kit, see the installation manual included in the stacking kit.

Installation requirements

NOTE

This dryer must be installed by a qualified installer. If service is required due to poor or faulty installation, it is considered the owner's responsibility and may void the warranty. Keep these instructions for future reference.

WARNING

- Do not plug the power cord into a wall outlet before the dryer is completely installed.
- Have two or more persons help move the dryer.
- Do not let children or pets play in, on, or around the dryer. Proper supervision is necessary at all times.
- Keep all packaging materials away from children.
- Do not replace a damaged power cord or power plug yourself. Have Samsung or a qualified service technician replace a damaged power cord or power plug.
- Do not attempt to repair, disassemble, or modify the dryer. For any repairs, contact the nearest Samsung service center.
- Remove the door/lids from all discarded appliances to avoid children from suffocating.
- If the dryer generates a strange noise, burning smells, or smoke, unplug the power plug immediately and contact the nearest Samsung service center.
- Do not unplug the dryer while it is operating.
- Do not place flammable objects near the dryer.



Installation

Location requirements

Select a level, well-constructed surface that will withstand vibrations. Select a location where a grounded, 3-prong outlet is easily accessible.

WARNING

- Install the dryer indoors only.
- Do not install the dryer in areas exposed to the weather.
- Do not install the dryer where the temperature may fall below 5 °C or rise above 35 °C.
- Do not install the dryer where gas may leak.
- Do not block the cooling grill's air inlet located at the dryer front.

Alcove or closet installation

For alcove or closet installation, the dryer requires the following minimum clearances:

Sides	Top	Front	Rear
25 mm	25 mm	490 mm	51 mm

If installing the dryer with a washer, the front of the alcove or closet must have an unobstructed air opening of at least 490 mm.

Electrical and grounding requirements

- The dryer requires an AC 220-240 V 50 Hz electrical supply.
- The dryer must be properly grounded. If the dryer malfunctions or breaks down, grounding reduces the risk of electric shock by providing a path of least resistance for the electric current. The dryer comes with a power cord that has a 3-prong grounding plug. The plug must be plugged into an appropriate outlet that is properly installed and grounded in accordance with all local codes and ordinances.
- If you have any questions regarding the electrical or grounding requirements, please contact Samsung or a qualified electrician.

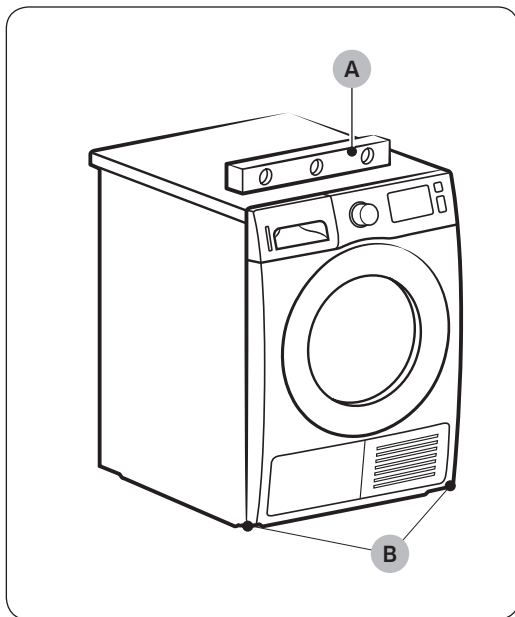
WARNING

- Plug into a grounded, 3-prong outlet.
- Do not use a damaged power plug, cord, or loose or damaged wall outlet.
- Do not use an adapter or an extension cord.
- Improper connection of the equipment-grounding conductor may result in electric shock. If you are unsure if the dryer is properly grounded, check with a qualified electrician.
- Do not modify the power plug, power cord, or power outlet in any way.
- Do not connect the ground wire to plastic plumbing lines, gas lines, or hot water pipes.

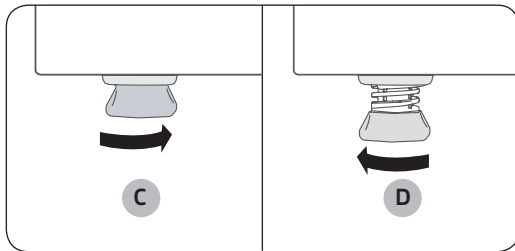


Dryer

Before you install the dryer, make sure you have read **Installation requirements** on page 15. Please note that the following instructions are for installation without using a drain hose. For instructions for using a drain hose, see the next section, Drain hose. For convenience, consider installing the dryer next to your washer.



1. Gently slide the dryer into the desired location.
2. Use a **level (A)** and check the levelness of the dryer from side to side and front to back.
3. If the dryer is not level, adjust the **levelling leg (B)**. Turning the leg counter-clockwise retracts the leg. Turning the leg clockwise extends the leg.
4. Once the dryer is level, make sure the dryer stands firmly on the floor.
5. Plug in the dryer.

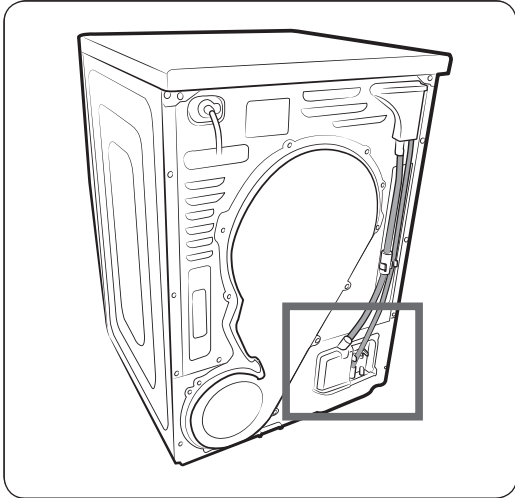


NOTE

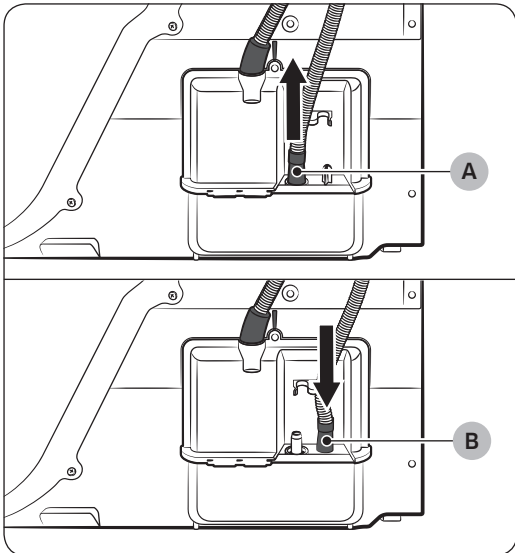
- To set the dryer to the same height as the washer, **fully retract (C)** the levelling legs by turning them counter clockwise, then **loosen (D)** the legs by turning them clockwise.
- Extend the levelling leg only as much as necessary. Extending the levelling leg more than necessary can cause the dryer to vibrate.

Installation

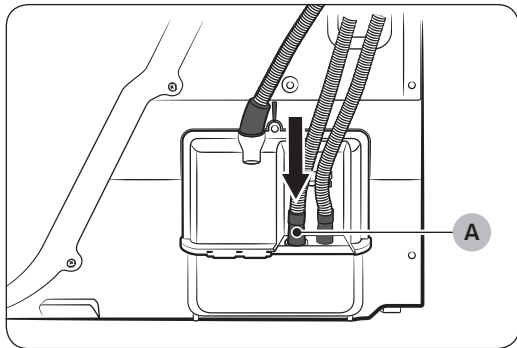
Drain hose (if necessary)



The dryer comes with a built-in water tank. However, if you do not want to use the water tank, you may install the drain hose. The provided accessory hose (long drain hose) can be used as an extension to the drain hose.

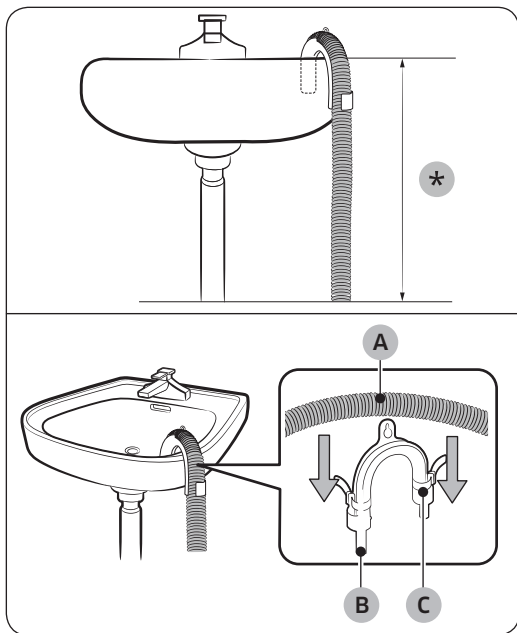


1. Remove the drain hose from hole (A), and insert it into hole (B).



2. Insert one end of the accessory hose (long drain hose) into **hole (A)**.
3. Insert the other end (outlet) of the accessory hose to the drainage system in one of the following ways:

Over a wash basin:



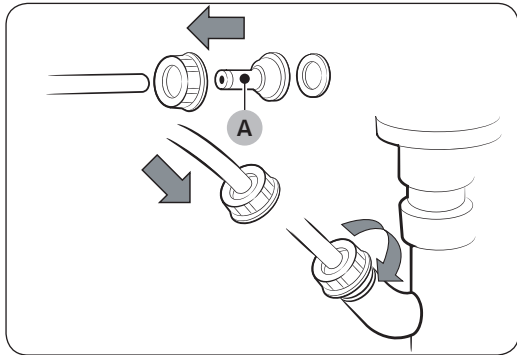
1. Make sure to place the end of the accessory hose lower than **90 cm (*)** from the bottom of dryer.
2. To bend some point of the accessory hose, use the supplied plastic **hose guide (B)** and secure the guide to the wall with a hook or to the tap with a piece of string. Assemble the **drain hose (A)** and the **hose guide (B)** and fix them with the **cable-tie (C)**.
3. You can drain the condensed water by connecting the accessory hose (long drain hose) to the drain-outlet directly.

⚠ CAUTION

Do not extend the drain hose. Water may leak from the connected area. Use a long drain hose.

Installation

By using the drain pipe of the wash basin:



1. Assemble the **hose connector (A)**, and attach it to the end of the accessory hose as shown.

⚠ CAUTION

To prevent water leak, make sure to connect the hose and the connector firmly.



2. Connect the hose adapter directly to the drain pipe of the wash basin.

Installation checklist

- The dryer is plugged into a properly grounded outlet.
- All packaging material is completely removed and properly disposed.
- The dryer is level and standing firmly on the floor.
- Start the dryer to make sure that it runs, heats, and shuts off.
- Run a **TIME DRY** cycle for 20 minutes to see if the **HC** information code is displayed. If this is the case, contact a local service center.
- After installation, we recommend that you wait at least 1 hour before using the dryer.

Before using the dryer

- Make sure no accessory remains inside the drum.
- Plug in the power cord just before operating the dryer.
- Do not block the air inlet hole of the cooling grill at the front of the dryer.
- Do not place inflammable objects near the dryer and keep the surroundings clean.
- Keep the dryer level with the ground.
- Do not remove the adjustable levelling legs of the dryer. They are necessary to keep the dryer level with the ground.

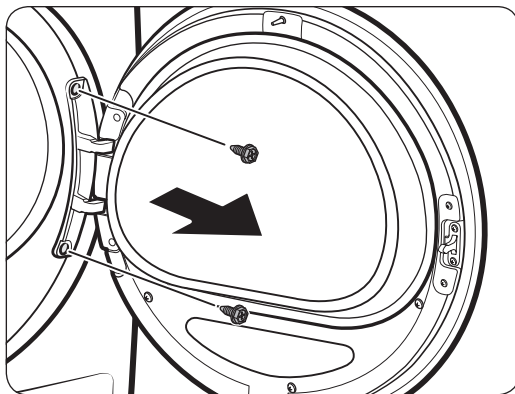
Door reversal

You might want to reverse the direction of the door, depending on your site conditions or to your needs.

⚠ WARNING

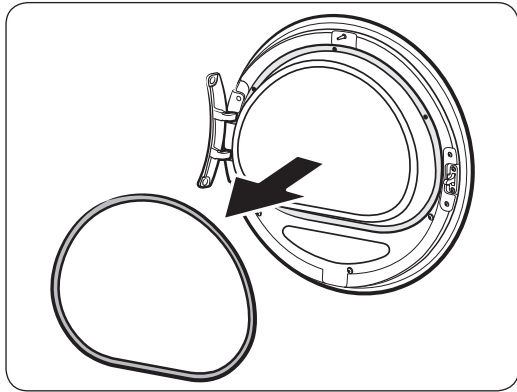
Make sure door reversal is performed by a qualified technician.

Type 1

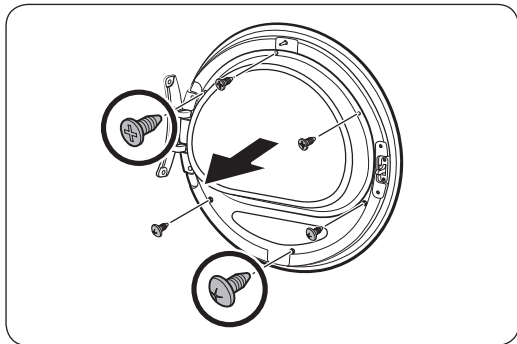


1. Open the door, and then loosen the two screws on the door hinge. While holding the door with both hands, slightly lift to remove it.

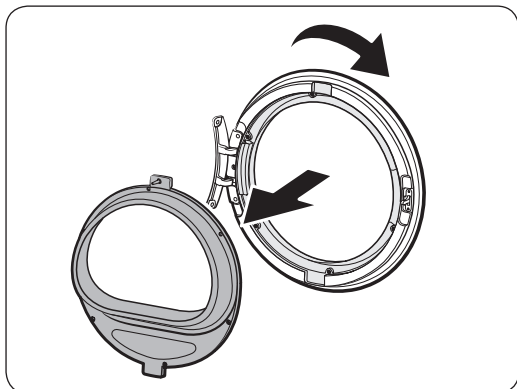
Installation



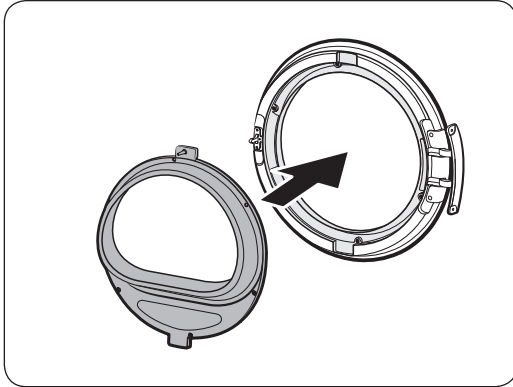
2. Use a thin object to remove the door sealing.



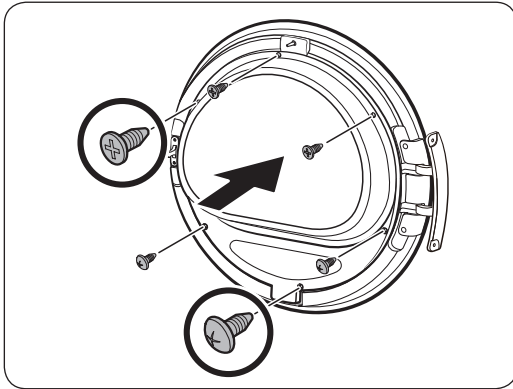
3. On the inside of the door, remove the upper 3 screws and the lower 3 screws on the glass holder, and then remove the glass holder.



4. When complete, rotate the door cover by 180 degrees.



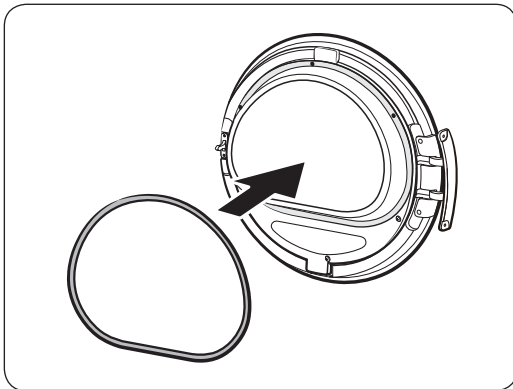
5. Insert the glass holder into the new position of the door cover. Make sure the door hinge is in the same position as in the figure.



6. Tighten the upper 3 screws and the lower 3 screws on the glass holder.

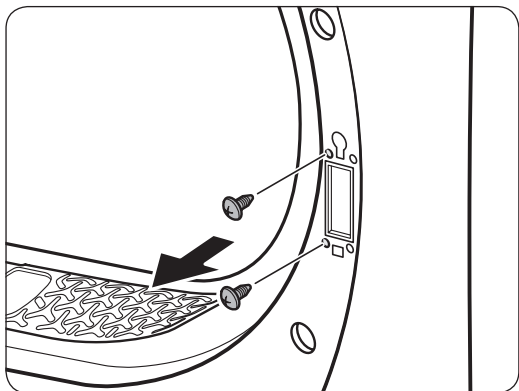
NOTE

The screw shapes differ by dimension. Make sure you tighten the correct screw.

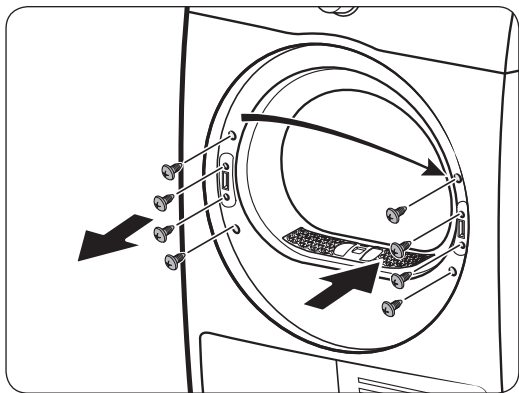


7. Insert the door sealing in the correct position.

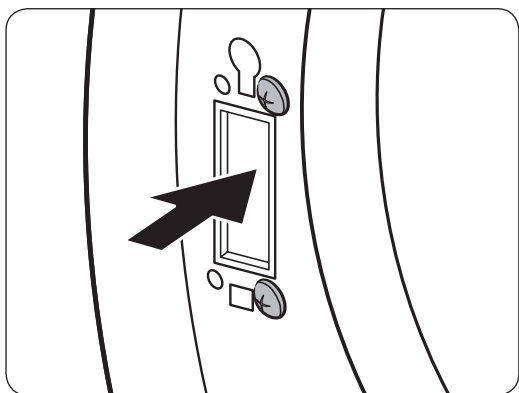
Installation



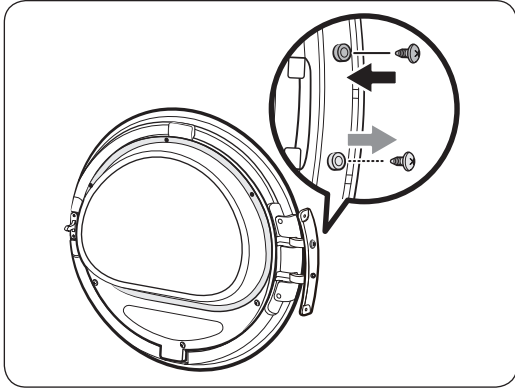
8. Remove the 2 screws that remain after removing the door hinge.



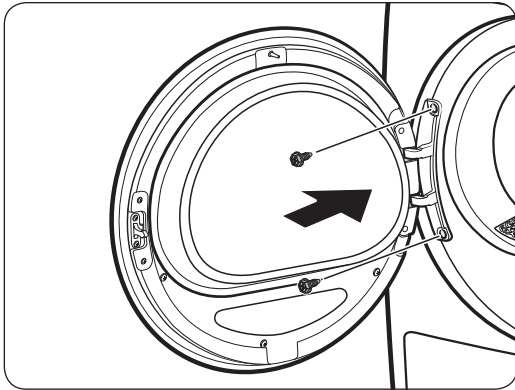
9. Loosen the 4 screws on the lever holder. Remove the lever holder, and then reinsert it to the opposite side.



10. On the opposite hinge frame, tighten the removed 2 screws in step 7 above. Note that you must tighten them on the right (top-right and bottom-right) of the frame.

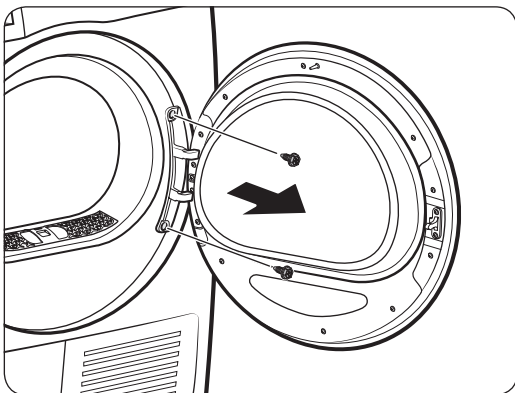


11. Move the bottom screws of the door hinge to the upper side of the door hinge. Then, tighten the screws. (DV**M5***1*/DV**M5***2*/DV**M5***3* models only)



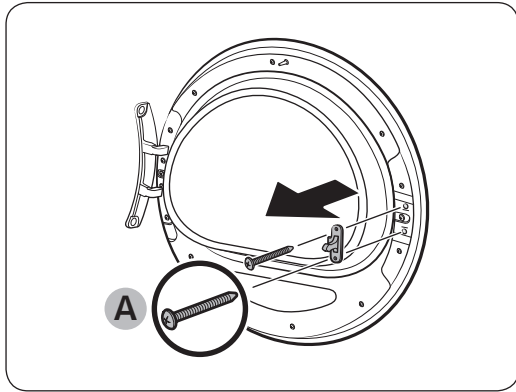
12. Put the door hinge on the opposite side, and then tighten the 2 screws to fix the door to the dryer.

Type 2 (DV**M5***K* models)

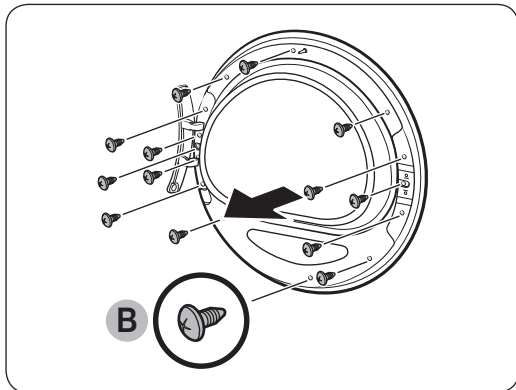


1. Remove the door hinge, and then remove the door.
 - Remove 2 bolt-screws on the door.

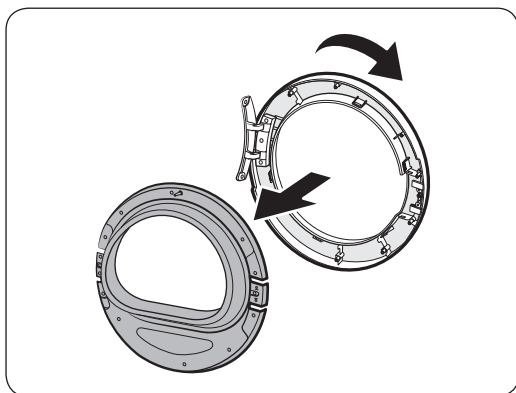
Installation



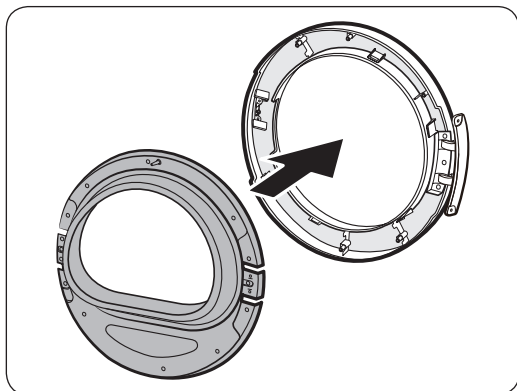
2. Remove 2 screws (A) from the door lever.



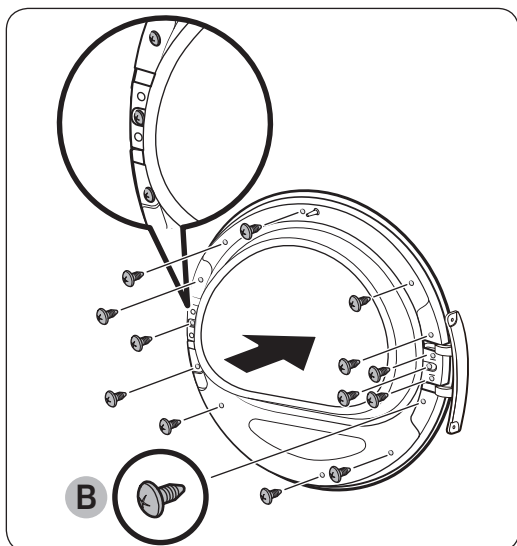
3. Remove 14 screws (B) from the inner holder.



4. Remove the inner-holder glass, and then turn the door cover by 180 degrees.



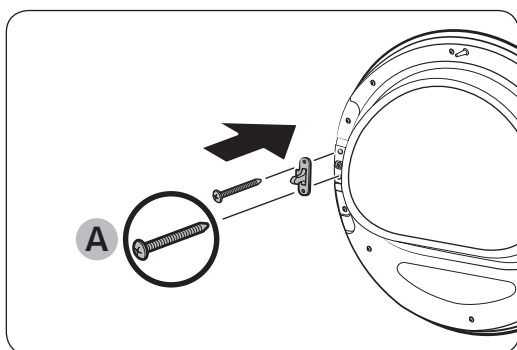
5. Insert the inner-holder glass into the reversed door cover.



6. Tighten the 14 screws (B) on the inner holder.

⚠ CAUTION

Make sure you tighten the screws (B) on the inner holder, not the screws (A).

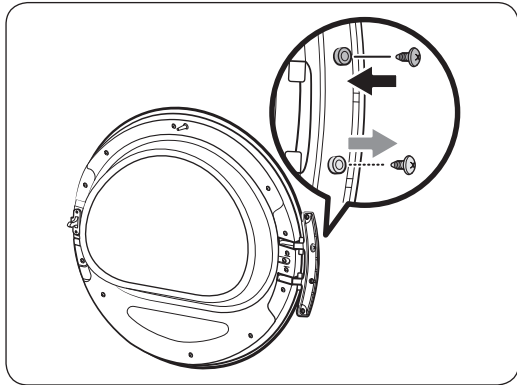


7. Tighten the 2 screws (A) on the door lever.

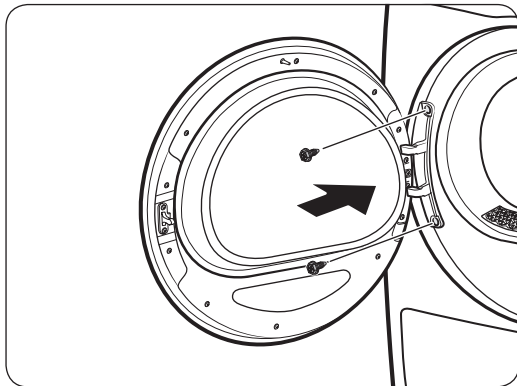
⚠ CAUTION

Make sure you tighten the screws (A) on the door lever, not the screws (B).

Installation



8. Move the bottom screws of the door hinge to the upper side of the door hinge. Then, tighten the screws.



9. Fix the door hinge on the opposite side.
 - Tighten the 2 bolt-screws.

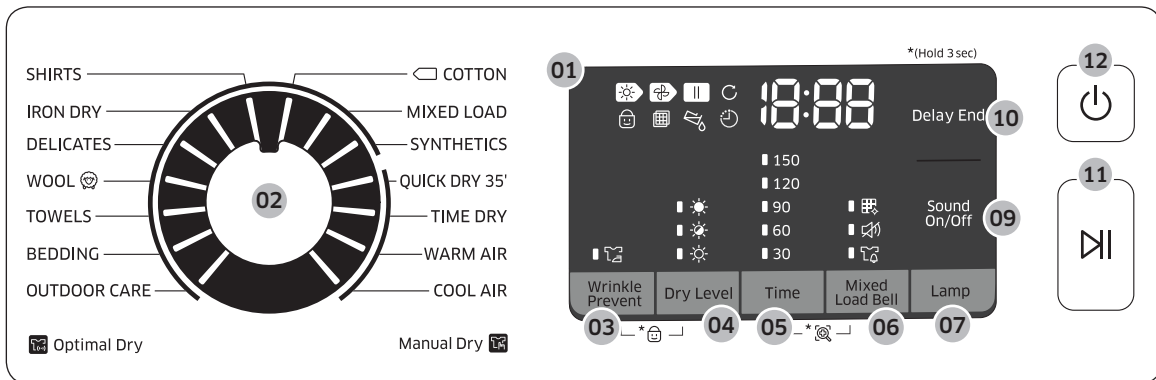
NOTE

To return the door to the initial position, follow the steps again. Please note that the door, hinges, and other parts would be in the opposite orientation as listed in these steps.

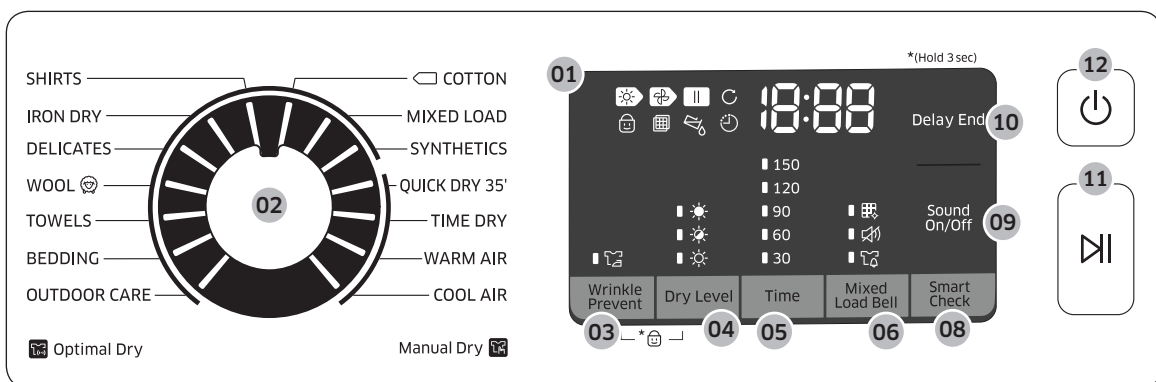
Operations

Control panel



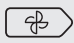

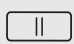
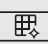
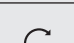
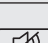


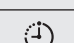


DV9*M5****/DV8*M5****



DV7*M5****





Operations



01 Digital Graphic Display	Displays all cycle information, including cycle time, information codes, and dryer status. See the table below for status details.			
		Drying in progress		Child Lock activated/deactivated
		Cooling in progress		Wrinkle Prevent
		Stop		Heat-exchanger clean alarm
		Wrinkle Prevent in progress		Sound on/off
		Check filter		Mixed Load Bell
		Delay End		Smart Check
		Empty the water tank		
02 Cycle Selector	Turn the dial to select a cycle. See the Cycle overview on page 32 for available cycles.			
03 Wrinkle Prevent	Adds approximately 2 hours of intermittent tumbling at the end of the selected cycle to reduce wrinkles. A large circle appears in display panel, and the drum rotates intermittently. To activate, press Wrinkle Prevent . The corresponding indicator lights up.			
04 Dry Level	Press to select the dryness level in the SHIRTS, TOWELS, COTTON, MIXED LOAD, and SYNTHETICS cycles. The dryness can be set in three levels (1-3). Level 1 is used to partially dry items that lay flat or hang to dry. Level 3 is the strongest and is used to dry larger or bulk loads.			
05 Time	<p>Press to adjust the cycle time for TIME DRY, WARM AIR, and COOL AIR cycles.</p> <p>The following time options (unit: minute) are available: 30, 60, 90, 120, and 150.</p> <ul style="list-style-type: none"> • 120 minutes and 150 minutes are not available for WARM AIR and COOL AIR cycles. • The exact drying time differs depending on the humidity of the load. 			

06 Mixed Load Bell	This alarm is available only with SHIRTS, COTTON, MIXED LOAD , and SYNTHETICS cycle. If a load contains mixed fabrics, the Mixed Load Bell indicator (🔔) blinks when the average dryness of the item is 80 % dry. This lets you take items that you don't want fully dried or that dry quickly out of the dryer early while letting others continue to dry.
07 Lamp (DV9*M5*****/ DV8*M5*****)	Press to turn on or off the interior lamp. The lamp stays lit for 5 minutes after it has turned on, and then turns off automatically.
08 Smart Check (DV7*M5*****)	If the dryer has detected an issue, Smart Check allows you to check the status of the dryer using a smart phone.
09 Sound On/Off	Press to mute/unmute the sound of the control panel. The sound setting is retained when you turn the dryer off and turn it on again.
10 Delay End	You can adjust the finish time of the selected cycle in 1-hour increments all the way up to 24 hours.
11 Start/Pause	Press to start or pause a cycle. If the dryer is running, press the button once to pause the dryer. Press again to resume.
12 Power	Press to turn the dryer on/off. If the dryer turns on for 10 minutes without any button being pressed, the dryer automatically turns off.

Operations

Cycle overview

Cycle	Description	Max load (kg)
SHIRTS	Use to quickly dry one item such as a shirt.	4
IRON DRY	This cycle finishes the drying process in a moist state, which facilitates ironing.	4
DELICATES	For items to be handled with care such as lingerie.	2
WOOL 	For machine washable and tumble dryable wool only. For best results, turn laundry inside out before drying.	2
TOWELS	Use to dry loads such as bath towels.	6
BEDDING	For bulky items such as blankets, sheets, comforters, and light duvets.	2
OUTDOOR CARE	For outdoor wear such as skiwear and mountain clothing, and also for fabrics such as spandex, stretch, and microfiber. It is recommended to use this cycle after you have washed your laundry using the OUTDOOR CARE cycle with your washing machine.	2
COOL AIR	All types of fabric. For freshening up or airing items of laundry that have not been worn for long.	-
WARM AIR	<p>For small, pre-dried items. The dry time defaults to 30 minutes.</p> <p>Timed cycle for all types of fabric except for wool and silk. Dry laundry that is still slightly damp or has already been pre-dried. Also suitable for the subsequent drying of multi-layered, thick laundry that does not dry readily.</p> <p> NOTE This cycle is suitable for drying individual woollen fabrics, sports shoes and soft toys. Only dry these using the basket for woollens.</p>	-

Cycle	Description	Max load (kg)
TIME DRY	<p>Use to set a desired dry time.</p> <ol style="list-style-type: none"> 1. Turn the Cycle Selector to select TIME DRY. 2. Press Time to set the drying time between 30 minutes and 150 minutes. Keep pressing Time cycles through the available time options in 30-minute increments. <p> NOTE The actual cycle time may differ depending on the dryness of items.</p>	-
QUICK DRY 35'	For drying light cotton synthetics or items that needs quick drying. The default dry time is 35 minutes.	1
SYNTHETICS	For lightly soiled blouses, and shirts that are made of polyester (Diolen, Trevira), polyamide (Perlon, nylon), or other similar blends.	4
MIXED LOAD	For mixed loads consisting of cotton and synthetic fabrics.	Max
 COTTON	For lightly cottons, bed linen, table linen, underwear, towels, and shirts.	Max












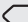

Operations

Cycle chart

NOTE

For best results, follow the load size recommendations for each dry cycle.

- Large load: Fill the drum to about $\frac{3}{4}$ full. Do not add items over this level as they need to tumble freely.
- ◐ Medium load : Fill the drum to about $\frac{1}{2}$ full.
- Small load : Fill the drum with 3-5 items, not more than $\frac{1}{4}$ full.

Cycle	Recommended items	Load size	Dry Level
SHIRTS	Non-iron shirts or blouses made of cotton, linen, synthetic fibres or blended fabrics.	4 	Available
IRON DRY	This cycle finishes the drying process in a moist state, which facilitates ironing.	4 	Unavailable
DELICATES	Silk, fine fabrics and lingerie.	2 	Unavailable
WOOL 	For machine washable and tumble dryable wool only.	2 	Unavailable
TOWELS	Use to dry loads such as bath towels.	6 	Available
BEDDING	For bulky items such as blankets, sheets, comforters, and light duvets.	2 	Unavailable
OUTDOOR CARE	For outdoor wear such as skiwear and mountain clothing, and also for fabrics such as spandex, stretch, and microfiber.	2 	Unavailable
COOL AIR	All types of fabric. For freshening up or airing items of laundry that have not been worn for long.	-	Unavailable
WARM AIR	Small Items & damp clothing Everyday items suitable for heat drying	-	Unavailable
TIME DRY	All types of fabric; time programme.	-	Unavailable
QUICK DRY 35'	Synthetics and light cottons	1 	Unavailable
SYNTHETICS	Synthetic or blended fabrics.	4 	Available
MIXED LOAD	Mixed load consisting of cotton and synthetic fabrics	7, 8, 9 	Available
 COTTON	For lightly cottons, bed linen, table linen, underwear, towels, and shirts.	7, 8, 9 	Available

Getting started

Simple steps to start

1. Press **Power** to turn the dryer on.
2. Load the dryer and close the door.
3. Turn the **Cycle Selector** to select a cycle.
4. Change the cycle settings (**Dry Level**, and **Time**) as necessary.
5. Select necessary settings and options to your preference. (**Wrinkle Prevent**, **Lamp**, **Mixed Load Bell**, and/or **Delay End**).
6. Press **Start/Pause**. The dryer indicator lights up, and the estimated cycle time appears on the display.

NOTE

The number of available settings and options differs with the cycle.

To change the cycle during operation

1. Press **Start/Pause** to stop operation.
2. Select a different cycle.
3. Press and hold **Start/Pause** to start new cycle.

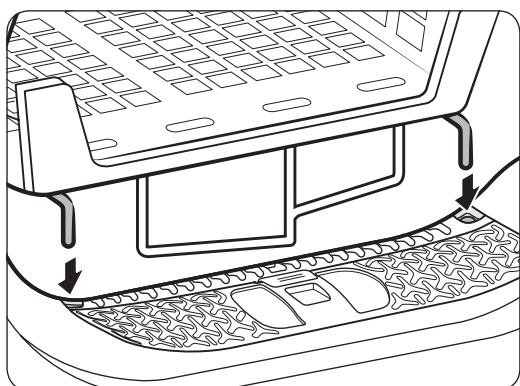
Sorting and loading

- Put only one wash load in the dryer at a time.
- Avoid mixing heavy and lightweight items together.
- To increase drying efficiency when drying one or two items, add a dry towel to the load.
- For best results, untangle items before inserting into the dryer.
- Overloading restricts the tumbling process, resulting in uneven drying and wrinkling.
- Unless recommended on the care label, avoid drying woolens or fiberglass items.
- Avoid drying unwashed items.
- Do not dry items soiled with oil, alcohol, gasoline, etc.

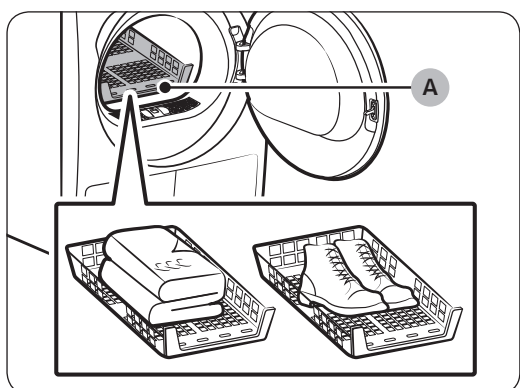
Operations

Rack Dry (applicable models only)

Set the drying time up to 150 minutes according to the moisture and weight of the items to dry. When drying laundry using the drying rack, the **TIME DRY** cycle is recommended.



1. Position the drying rack in the drum, inserting the front lips of the rack into the holes of the door diaphragm.



2. Place items on the rack, leaving enough space where air can circulate. For clothing items, fold and place flat on the rack. For shoes, place shoes with their soles facing down.
3. Close the door and press **Power**. Select **TIME DRY**, and then press **Time** to select the drying time.
4. Press **Start/Pause**.

A. Rack dry

Drying suggestions

Items (max 1.5 kg)	Description
Washable sweaters (block to shape and lay flat on rack)	When drying the laundry using the rack, fold and place the clothes on the rack to prevent the clothing from becoming wrinkled.
Stuffed toys (cotton or polyester fiber filled)	
Stuffed toys (foam or rubber-filled)	
Foam rubber pillows	
Sneakers	To dry sports shoes, place the shoes on the rack so that the soles of the shoes are facing downwards.

CAUTION

- Drying foam rubber, plastic, or rubber on a heat setting may cause damage to the items and lead to a fire hazard.
- To prevent damage to shoes, use Dry Rack.

Operations

Cycle guide

Always follow the care label when drying. If care label instructions are not available, refer to the following table.

Bedspreads and comforters	<ul style="list-style-type: none">• Use the High temperature settings.
Blankets	<ul style="list-style-type: none">• For best results, dry only one blanket at a time.
Cloth diapers	<ul style="list-style-type: none">• Use the High temperature settings.
Down-filled items	<ul style="list-style-type: none">• Do not dry on a heat setting. Doing so may cause a fire hazard. Only use the COOL AIR cycle.
Foam rubber (rug backs, stuffed toys, etc.)	<ul style="list-style-type: none">• Do not dry on a heat setting. Doing so may cause a fire hazard. Only use the COOL AIR cycle.
Pillows	<ul style="list-style-type: none">• Add a few dry towels to help tumble and fluff items.• Do not dry kapok or foam pillows with heat. Use only the COOL AIR cycle.
Plastics (shower curtains, outdoor furniture covers, etc.)	<ul style="list-style-type: none">• Use COOL AIR or TIME DRY.• Set the dry level to lower or the lowest.

CAUTION

Do not use the dryer to dry items that are not listed above.

Special features

Delay End

You can set the dryer to complete a selected cycle at your set time.

1. Select a cycle with necessary options.
2. Press **Delay End** repeatedly to set a time between 1 hours and 24 hours in 1-hour increments.
3. Press **Start/Pause**. The corresponding indicator blinks, and the clock begins counting down to the set time.

NOTE

To cancel the Delay End settings, restart the dryer using the **Power** button.

Child Lock

Child Lock prevents children from playing with the dryer. When Child Lock is activated, all buttons except for the **Power** button are disabled.

To activate/deactivate Child Lock, simultaneously press and hold **Mixed Load Bell** and **Smart Control** or **Wrinkle Prevent** and **Dry Level** for 3 seconds.

NOTE

If Child Lock is activated, and the dryer is turned off and then on again, Child Lock remains activated.

Smart Check

If the dryer has detected an issue, Smart Check allows you to check the status of the dryer using a smartphone. Please note that Smart Check can only be used for Galaxy and iPhone series smartphones.

To use Smart Check, make sure you have downloaded the **Samsung Smart Washer/Dryer** app, and then follow the steps below.

1. Press and hold **Time** and **Mixed Load Bell** for 3 seconds or press **Smart Check**. The LED's on the display panel rotate, and the Smart Check code is displayed.
2. On the smartphone, open the **Samsung Smart Washer/Dryer** app and tap the **Smart Check** button.
3. Focus the smartphone's camera on the Smart Check code shown on the display panel.
4. If the information code is recognized, the app provides detailed information for the issue and further instructions.

NOTE

- If the dryer reflects light on the display, the smartphone may fail to recognize the information code.
- If the smartphone fails to recognize the code, manually enter the information code into the smartphone.

Maintenance

WARNING

- Do not clean the dryer by directly spraying water onto the dryer.
- Do not clean the dryer with benzene, thinner, alcohol, or acetone. This may cause discoloration, deformation, damage, electric shock, or fire.
- Before cleaning the dryer, be sure to unplug the power cord.

Control panel

Clean with a soft, damp cloth. Do not use abrasive cleaners. Do not spray cleaners directly on the panel. Immediately wipe up any spills or liquids from the control panel.

Exterior

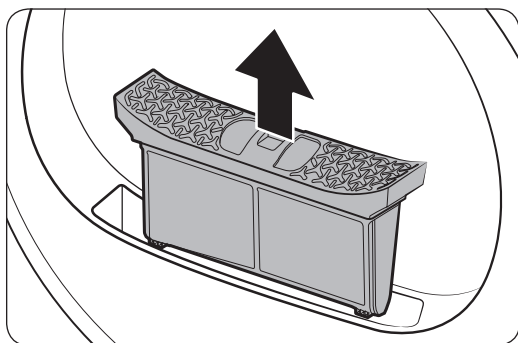
Clean with a soft, damp cloth. Do not use abrasive cleaners. Avoid using or placing sharp or heavy objects near/on the dryer. Keep detergent and laundry supplies on the pedestal (sold separately) or in a separate storage container.

Drum

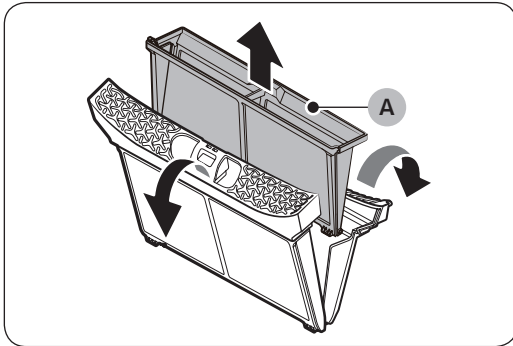
Clean with a damp cloth with a mild, non-abrasive cleaner suitable for stainless steel. Wipe remaining residue with a clean, dry cloth.

Lint filter

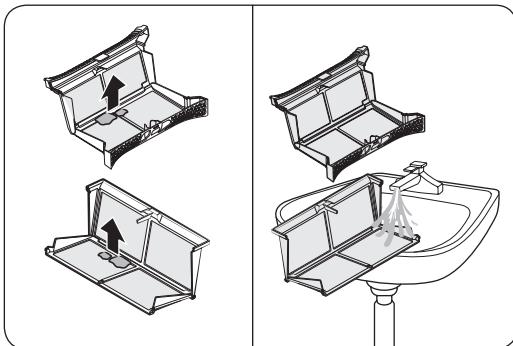
Clean the lint filter after each load.



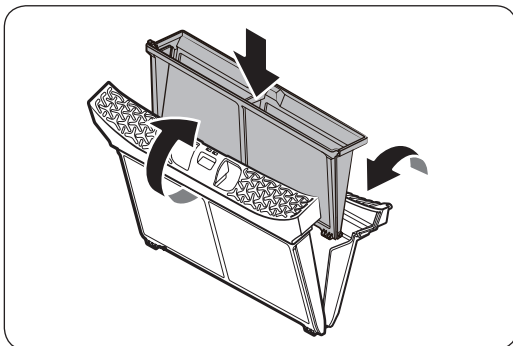
1. Open the door and pull the lint filter upward to remove.



2. Open the outer filter and remove the inner filter (A).



3. Unfold both the inner filter and the outer filter.
 4. Remove the lint from both filters, and then clean them in running water. When complete, dry them thoroughly.



5. Put the inner filter into the outer filter, and then reinsert the lint filter into the original position.

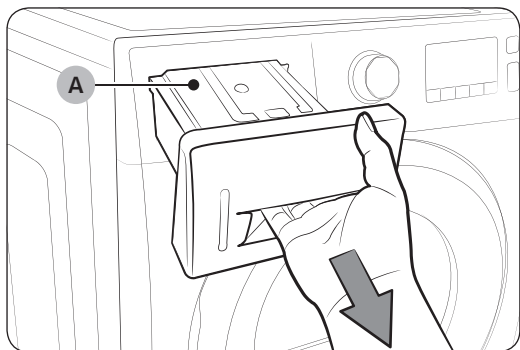
⚠ CAUTION

- Clean the lint filter after each load. Otherwise, the drying performance may decrease.
- Do not operate the dryer without the inner filter inside the outer filter.
- Using the dryer with a wet lint filter may cause mold, bad odors, or a decrease in drying performance.

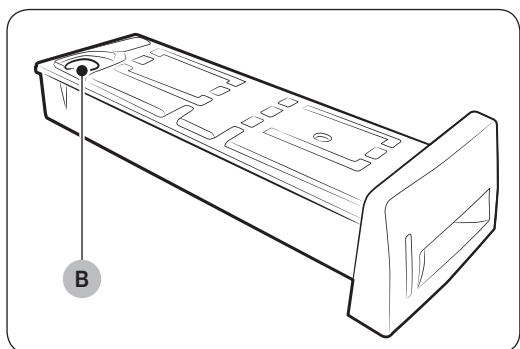
Maintenance

Water tank

To avoid leaks, empty the water tank after every load.



1. Using both hands, pull the **water tank (A)** forward to remove.



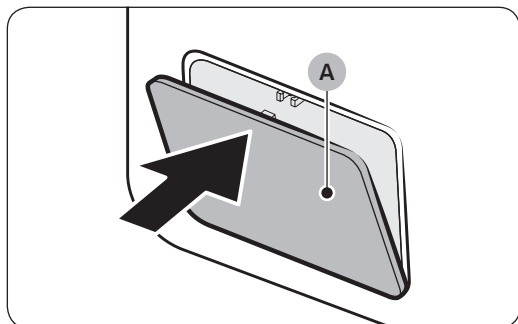
2. Empty the water through the **drain hole (B)** and place the water tank back into place.

 **NOTE**

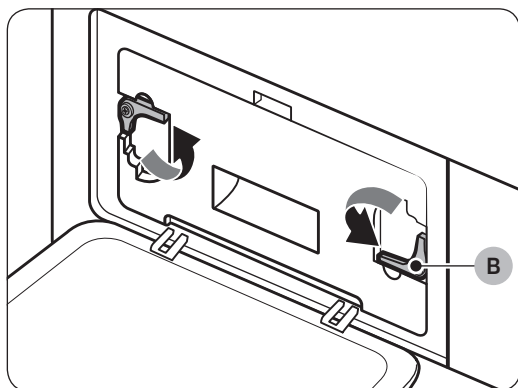
If you empty the water tank and press **Start/Pause**, the corresponding indicator turns off.

Heat exchanger

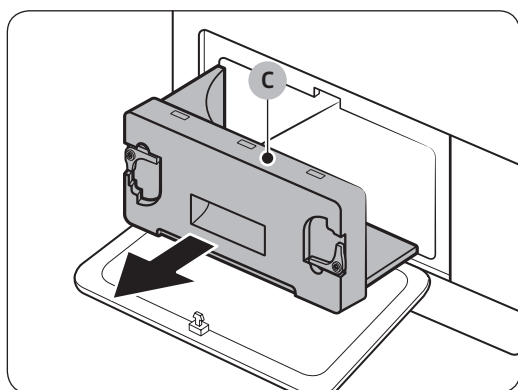
Clean the heat exchanger at least once a month. As a reminder, the heat exchanger indicator lights up on the display when the heat exchanger needs to be cleaned.



1. Gently press the top part of the outer cover (A) to open.

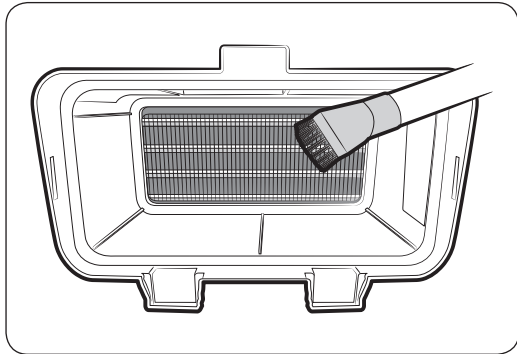


2. Unlock the fixers (B).



3. Remove the inner cover (C).

Maintenance

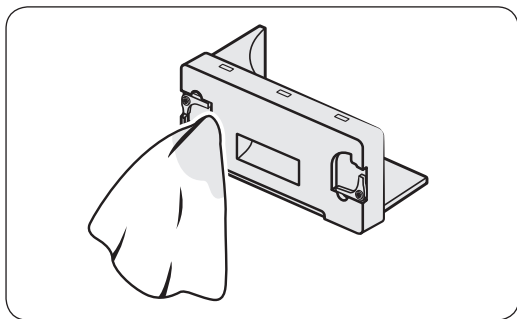


4. Clean the heat exchanger with a soft brush or vacuum cleaner.

⚠ CAUTION

- To avoid physical injury and burns, do not touch or clean the heat exchanger with bare hands.
- Do not use water to clean the heat exchanger.
- Do not exert force to the heat exchanger. You may damage the heat exchanger which may lead to a decrease in drying performance.

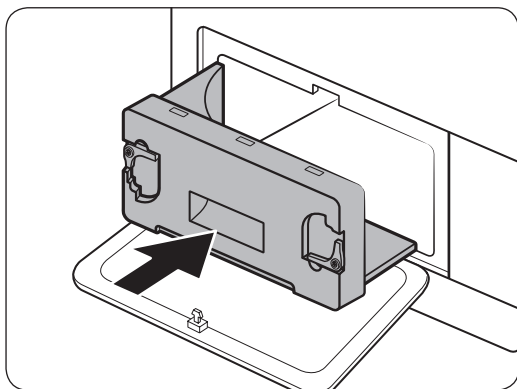
5. Clean the inner cover with a smooth, damp cloth.



6. Reinsert the inner cover to its original position, and then lock the fixers.
7. Close the outer cover.

📄 NOTE

After cleaning, make sure the fixers are locked.



Troubleshooting

Checkpoints

If you encounter an issue with the dryer, first check the table below and try the suggestions.

Symptom	Action
Dryer does not run	<ul style="list-style-type: none">• Make sure the door is completely closed.• Make sure the power cord is plugged in.• Check the home's circuit breaker and fuses.• Empty the water tank.• Clean the lint filter.
Dryer does not heat	<ul style="list-style-type: none">• Check the home's circuit breaker and fuses.• Select a heat setting other than COOL AIR.• Check the lint filter and heat exchanger filter. Clean them if necessary.• Dryer may be in the cool-down phase of the cycle.
Dryer does not dry	Check the above, plus... <ul style="list-style-type: none">• Make sure the dryer is not overloaded.• Sort light and heavy items separately.• Reposition large, bulky items to ensure even drying.• Check that the dryer is draining properly.• For small loads, add a few dry towels.• Clean the lint filter and heat exchanger filter.
Dryer is noisy	<ul style="list-style-type: none">• Check for coins, buttons, lighters, etc.• Make sure the dryer is level and standing firmly on the floor.• The dryer may hum due to air moving through the drum and fan. This is normal.
Dries unevenly	<ul style="list-style-type: none">• Seams, pockets, and other parts of clothing are harder to dry than others. This is normal.• Sort heavy and light items separately.
Dryer emits an odor	<ul style="list-style-type: none">• The dryer may draw household odors in from the surrounding air and then exhaust them. This is normal.
Dryer turns off before the load is dry	<ul style="list-style-type: none">• Dryer load is too small. Add more items and restart the cycle.• Dryer load is too large. Remove items and restart the cycle.

Troubleshooting

Symptom	Action
Lint on clothes	<ul style="list-style-type: none"> • Make sure the lint filter is clean before every load. • Dry lint-producing items (fuzzy towels) separate from lint trappers, such as black linen pants. • Divide larger loads into smaller loads.
Items still wrinkled after Wrinkle Prevent	<ul style="list-style-type: none"> • Small loads of 1-4 items work best. • Load fewer items. Load similar type items.
Odors remain in items after Cool Air	<ul style="list-style-type: none"> • Make sure to thoroughly wash items with strong odors.

Information codes

If the dryer fails to operate, you may see an information code on the display. Check the table below and try the suggestions.

Information code	Meaning	Action
tC	Air temperature sensor issue	Clean the lint filter and/or heat exchanger filter. If this continues, call for service.
tC5	Compressor temperature sensor issue	Wait 2-3 minutes. Turn the power on and restart.
dC	Running the dryer with door open	Close the door and restart. If this continues, call for service.
HC	Compressor overheat	Call for service.
9C2	Low voltage detected	Check if the power cord is plugged in. If this continues, call for service.
5C	Water tank full Drain pump is out of order	Empty the water tank, turn the power on, and restart. If this continues, call for service.

For any codes not listed above, or if the information code continues to appear, call for service.

Appendix

Fabric care chart

The following symbols provide garment care direction. The Clothing care labels include symbols for drying, bleaching, drying and ironing, or dry cleaning when necessary. The use of symbols ensures consistency among garment manufacturers of domestic and imported items. Follow care label directions to maximize garment life and reduce laundering problems.

Wash cycle

	Normal
	Permanent Press / Wrinkle Resistant / Wrinkle Control
	Gentle / Delicates
	Hand Wash

Water Temperature**

	Hot
	Warm
	Cold

NOTE

** The dot symbols represent appropriate wash water temperatures for various items. The temperature range for Hot is 41-52 °C, for Warm 29-41 °C and for Cold 16-29 °C. (Wash water temperature must be a minimum of 16 °C for detergent activation and effective cleaning.)

Bleach

	Any Bleach (when needed)
	Only Non-Chlorine (color-safe) Bleach (when needed)
	Tumble Dry Cycle

Normal

	Permanent Press / Wrinkle Resistant / Wrinkle Control
	Gentle/ Delicates

Special instructions




	Line Dry / Hang to Dry
	Drip Dry
	Dry Flat

Heat setting







	High
	Medium
	Low
	Any Heat
	No Heat/Air

Appendix






Iron dry or steam temperatures

	High
	Medium
	Low

Warning symbols for laundering

	Do Not Wash
	Do Not Wring
	Do Not Bleach
	Do Not Tumble Dry
	No Steam (added to iron)
	Do Not Iron

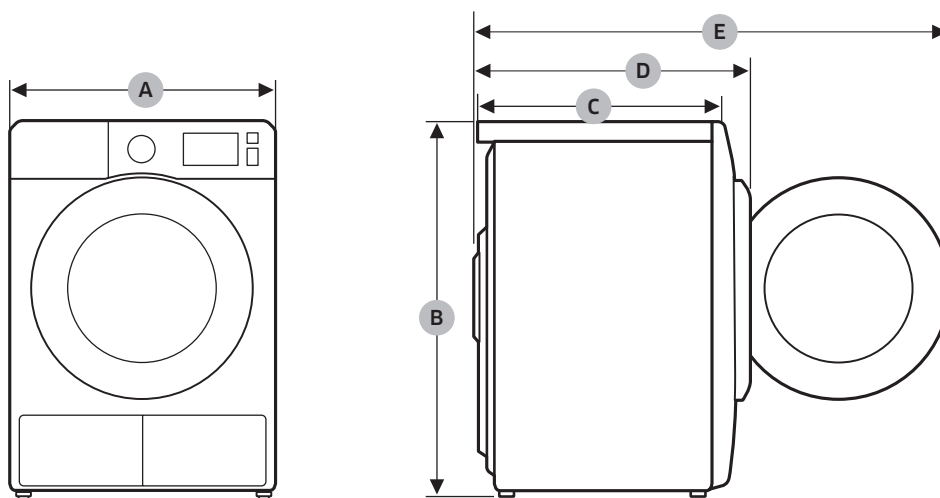
Dry-clean

	Dry-clean
	Do Not dry-clean
	Line Dry/ Hang to Dry
	Drip Dry
	Dry Flat

Protecting the environment

This appliance is manufactured from recyclable materials. If you decide to dispose of this appliance, please observe local waste disposal regulations. Cut off the power cord so that the appliance cannot be connected to a power source. Remove the door so that animals and small children cannot get trapped inside the appliance.

Specification



DV9*M52****, DV8*M52****, DV7*M52****

TYPE		FRONT LOADING DRYER
DIMENSIONS	A	600 mm
	B	850 mm
	C	600 mm
	D	640 mm
	E	1095 mm
WEIGHT		50 kg
ELECTRICAL REQUIREMENTS	220-240 V / 50 Hz	550-600 W
ALLOWABLE TEMPERATURE		5-35 °C

Appendix

DV9*M50****, DV8*M50****, DV7*M50****

TYPE		FRONT LOADING DRYER
DIMENSIONS	A	600 mm
	B	850 mm
	C	600 mm
	D	640 mm
	E	1095 mm
WEIGHT		50 kg
ELECTRICAL REQUIREMENTS	220-240 V / 50 Hz	750-850 W
ALLOWABLE TEMPERATURE		5-35 °C

Consumption data

Model	Program	Load (kg)*	Energy (kWh)	Max. Duration (Minutes)
DV9*M52****	COTTON**	9	1.56	188
		4.5	0.9	130
	IRON DRY**	9	1.1	130
	SYNTHETICS	4.5	0.71	86
DV8*M52****	COTTON**	8	1.43	169
		4	0.8	120
	IRON DRY**	8	1.02	118
	SYNTHETICS	4	0.65	80
DV7*M52****	COTTON**	7	1.26	148
		3.5	0.73	110
	IRON DRY**	7	0.94	108
	SYNTHETICS	3.5	0.61	75

* : Weight of dry laundry

** : EN 61121:2013 test program

All data without a “star” against it was calculated using EN 61121:2013

Consumption data can vary from the nominal values given above depending in the size of the load, types of textiles, residual moisture levels after spinning, fluctuations in the electricity supply and any extra options selected.

Model	Program	Load (kg)*	Energy (kWh)	Max. Duration (Minutes)
DV9*M50****	COTTON**	9	2.20	190
		4.5	1.12	130
	IRON DRY **	9	1.70	155
	SYNTHETICS	4.5	0.85	78
DV8*M50****	COTTON**	8	1.87	170
		4	1.10	125
	IRON DRY **	8	1.54	140
	SYNTHETICS	4	0.78	72
DV7*M50****	COTTON**	7	1.67	150
		3.5	1.00	120
	IRON DRY **	7	1.43	130
	SYNTHETICS	3.5	0.67	68

* : Weight of dry laundry

** : EN 61121:2013 test program

All data without a "star" against it was calculated using EN 61121:2013

Consumption data can vary from the nominal values given above depending in the size of the load, types of textiles, residual moisture levels after spinning, fluctuations in the electricity supply and any extra options selected.

Appendix

Sheet of household tumble driers

Data sheet for Domestic Tumble Driers
As detailed in EU regulation No. 392/2012

NOTE

“*” Asterisk(s) means variant model and can be varied (0-9) or (A-Z).

Samsung				
Model Name		DV7*M52****	DV8*M52****	DV9*M52****
Capacity	kg	7	8	9
Type		Condenser	Condenser	Condenser
Energy Efficiency				
A+++ (highest efficiency) to D (least efficient)		A+++	A+++	A+++
Energy Consumption				
Annual Energy Consumption (AE_C) ¹⁾	kWh/yr	158	176	194
Automatic dryness detector		Yes	Yes	Yes
Energy consumption (E_dry) standard cotton programme at full load	kWh	1.26	1.43	1.56
Energy consumption (E_dry.1/2) standard cotton programme at partial load	kWh	0.73	0.80	0.90
off mode and left-on mode				
The power consumption off-mode (P_o) at full load	W	0.50	0.50	0.50
The power consumption in left-on mode (P_l) at full load	W	5.00	5.00	5.00
Duration of the left-on mode	min	10	10	10
Programme to which the information on the label and the Sheet relate ²⁾		Cotton + Dry Level 2 (Wrinkle Prevent off)		
programme duration of the standard program				
Weighted Programme time standard cotton programme at full load and partial load	min	126	141	155
Programme Time (T_dry) standard cotton programme at full load	min	148	169	188
Programme Time (T_dry.1/2) standard cotton programme with partial load	min	110	120	130
condensation efficiency class				
A (most efficient) to G (least efficient)		B	B	B
Average condensation efficiency at full load	%	81	81	81
Average condensation efficiency at partial load	%	81	81	81
Weighted condensation efficiency	%	81	81	81
Airborne noise emissions				
Dry at full load	dB (A) re 1 pW	65	65	65
Name of company		Samsung Electronics Co., Ltd.		

Samsung				
Model Name		DV7*M50****	DV8*M50****	DV9*M50****
Capacity	kg	7	8	9
Type		Condenser	Condenser	Condenser
Energy Efficiency				
A+++ (highest efficiency) to D (least efficient)		A++	A++	A++
Energy Consumption				
Annual Energy Consumption (AE_C) ¹⁾	kWh/yr	211	235	258
Automatic dryness detector		Yes	Yes	Yes
Energy consumption (E_dry) standard cotton programme at full load	kWh	1.67	1.87	2.20
Energy consumption (E_dry.1/2) standard cotton programme at partial load	kWh	1.00	1.10	1.12
off mode and left-on mode				
The power consumption off-mode (P_o) at full load	W	0.50	0.50	0.50
The power consumption in left-on mode (P_l) at full load	W	5.00	5.00	5.00
Duration of the left-on mode	min	10	10	10
Programme to which the information on the label and the Sheet relate ²⁾		Cotton + Dry Level 2 (Wrinkle Prevent off)		
programme duration of the standard program				
Weighted Programme time standard cotton programme at full load and partial load	min	133	144	156
Programme Time (T_dry) standard cotton programme at full load	min	150	170	190
Programme Time (T_dry.1/2) standard cotton programme with partial load	min	120	125	130
condensation efficiency class				
A (most efficient) to G (least efficient)		B	B	B
Average condensation efficiency at full load	%	81	81	81
Average condensation efficiency at partial load	%	81	81	81
Weighted condensation efficiency	%	81	81	81
Airborne noise emissions				
Dry at full load	dB (A) re 1 pW	65	65	65
Name of company		Samsung Electronics Co., Ltd.		

Appendix

NOTE

1. Energy consumption is measured as the annual 9 kg 258 kWh (8 kg 235 kWh) used per year, based on 160 drying cycles of the standard cotton programme at full and partial load, and the consumption of the low-power modes. Actual energy consumption per cycle will depend on how the appliance is used.
2. 'standard cotton programme' used at full and partial load is the standard drying programme to which the information in the label and the fiche relates, that this programme is suitable for drying normal wet cotton laundry and that it is the most efficient programme in terms of energy consumption for cotton. Consumption data can vary from the nominal values given above depending in the size of the load, types of textiles, residual moisture levels after spinning, fluctuations in the electricity supply and any extra options selected.

Memo

QUESTIONS OR COMMENTS?

COUNTRY	CALL	OR VISIT US ONLINE AT
UK	0330 SAMSUNG (7267864)	www.samsung.com/uk/support
IRELAND (EIRE)	0818 717100	www.samsung.com/ie/support



DC68-03794A-01