

Operating instructions

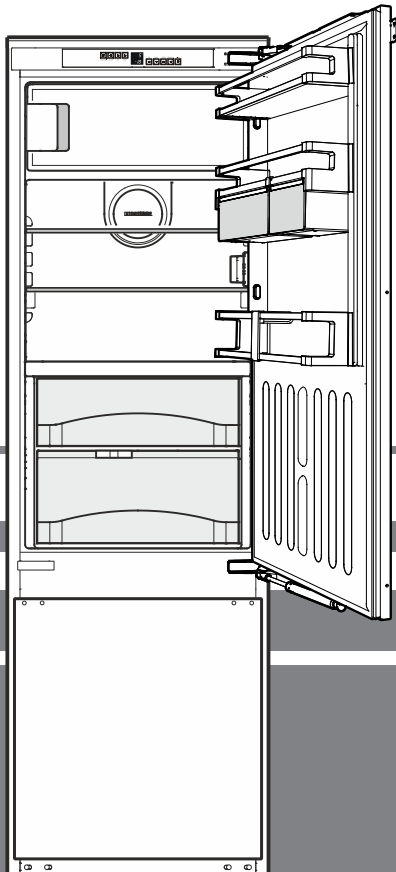
Refrigerator for integrated use

Installation instructions

Page 16

EN

Page 24



7085 451-00

IKBV

LIEBHERR

Content

Safety instructions and warnings	17
Range of appliance use.....	17
Climate rating	18
Setting up	18
Electrical connection.....	18
Operating and control elements	18
Switching the appliance on and off	18
Setting the temperature.....	18
Door open alarm.....	19
Setup mode	19
Cooling	20
SuperCool	20
Saving energy	20
Pull-out compartment with cellar temperatures	20
BioFresh compartment.....	21
Freezer compartment.....	21
Freezing.....	21
Notes on freezing	21
Equipment	22
Interior light.....	22
Defrosting.....	22
Cleaning	23
Malfunctions.....	23
Shutting your appliance down	23
Changing over door hinges	24
Supplied accessories.....	26
Appliance dimensions.....	27
Appliance venting.....	27
Installation dimensions.....	28
Installing in a kitchen unit	28
Fitting a unit door.....	29

Disposal notes

The appliance contains reusable materials and should be disposed of properly - not simply with unsorted household refuse. Appliances which are no longer needed must be disposed of in a professional and appropriate way, in accordance with the current local regulations and laws.



When disposing of the appliance, ensure that the refrigerant circuit is not damaged to prevent uncontrolled escape of the refrigerant it contains (data on type plate) and oil.

- Disable the appliance.
- Pull out the mains plug.
- Cut through the connection cable.

WARNING

Danger of suffocation due to packing material and plastic film!

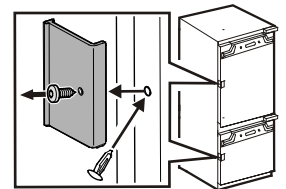
Do not allow children to play with packaging material.

Take the packaging material to an official collection point.

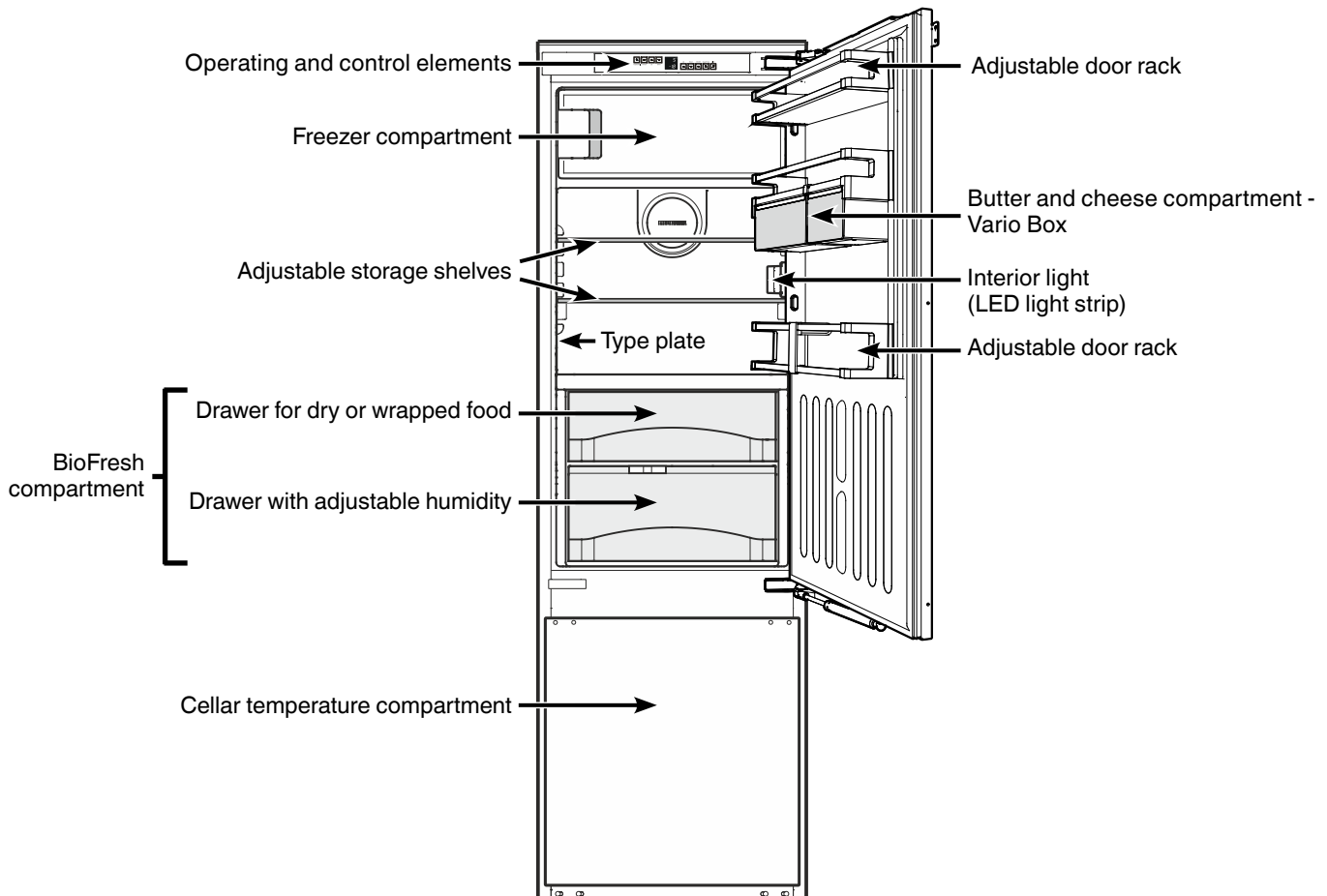
Remove all transit supports

Unscrew the red transport lock.

Close the vacated retaining hole using the plug.



Description of the appliance



Safety instructions and warnings

- To prevent injury or damage to the unit, the appliance should be unpacked and set up by two people.
- In the event that the appliance is damaged on delivery, contact the supplier immediately before connecting to the mains.
- To guarantee safe operation, ensure that the appliance is set up and connected as described in these operating instructions.
- Disconnect the appliance from the mains if any fault occurs. Pull out the plug, switch off or remove the fuse.
- When disconnecting the appliance, pull on the plug, not on the cable.
- Any repairs and work on the appliance should only be carried out by the customer service department, as unauthorised work could prove highly dangerous for the user. The same applies to changing the mains power cable.
- Do not allow naked flames or ignition sources to enter the appliance. When transporting and cleaning the appliance ensure that the refrigerant circuit is not damaged. In the event of damage, make sure that there are no ignition sources nearby and keep the room well ventilated.
- Do not stand on the plinth, drawers or doors or use them to support anything else.
- This appliance can be used by children of 8 years old and over, and also by persons with restricted physical, sensory or mental capacity or lack of experience and knowledge, if they are supervised or have been instructed on safe use of the appliance and understand the resulting risks. Children must not be allowed to play with the appliance. Cleaning and user maintenance must not be carried out by children without supervision.
- Avoid prolonged skin contact with cold surfaces or chilled/frozen food. This could cause pain, numbness and frostbite. In the case of prolonged skin contact, protective measures should be taken, e.g. gloves should be worn.
- Do not eat ice cream, particularly ice lollies or ice cubes, immediately after taking them from the freezer compartment as there is a risk of "burning" because of the very cold temperatures.
- Do not consume food which has been stored for too long, as it could cause food poisoning.
- Do not store explosives or sprays using combustible propellants such as butane, propane, pentane, etc. in the appliance. Electrical components might cause leaking gas to ignite. You may identify such sprays by the printed contents or a flame symbol.
- Do not use electrical appliances inside the appliance.
- The appliance is designed for use in enclosed areas. Do not operate the appliance outdoors or in areas where it is exposed to splash water or damp conditions.
- The LED light strip illuminates the interior of the appliance. It is not suitable for lighting a room.

Range of appliance use

The appliance is suitable solely for cooling food in a domestic environment or similar.

This includes, for example, use

- in staff kitchenettes, bed and breakfast establishments,
- by guests in cottages, hotels, motels and other forms of accommodation,
- in catering and similar services in the wholesale trade.

Use the appliance solely as is customary within a domestic environment. All other types of use are inadmissible.

The appliance is not suitable for storing and cooling medicines, blood plasma, laboratory preparations or similar substances and products covered by the 2007/47/EC Medical Devices Directive. Any misuse of the appliance may result in damage to or spoilage of stored goods.

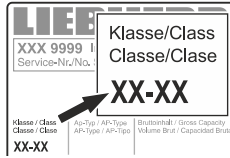
Furthermore, the appliance is not suitable for operation in potentially explosive atmospheres.

Climate rating

The climate rating indicates the room temperature at which the appliance may be operated in order to achieve full refrigeration performance.

The climate rating is indicated on the type plate.

The position of the type plate is shown in the section entitled **Description of the appliance**.

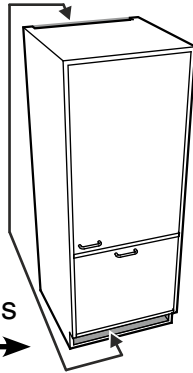


Climate rating	Room temperature
SN	+10°C to +32°C
N	+16°C to +32°C
ST	+16°C to +38°C
T	+16°C to +43°C
SN-ST	+10°C to +38°C
SN-T	+10°C to +43°C

Do not operate the appliance outside the specified room temperature range.

Setting up

- Avoid positioning the appliance in direct sunlight or near cookers, radiators and similar sources of heat.
- Standard EN 378 specifies that the room in which you install your appliance must have a volume of 1 m³ per 8 g of R 600a refrigerant used in the appliance, so as to avoid the formation of inflammable gas/air mixtures in the room where the appliance is located in the event of a leak in the refrigerant circuit. The quantity of refrigerant used in your appliance is indicated on the type plate on the inside of the appliance.
- Do not cover ventilation openings or grille. →



Electrical connection

Only operate the appliance with **alternating current (AC)**.

The permissible voltage and frequency are indicated on the type plate. The position of the type plate is shown in the section entitled **Description of the appliance**.

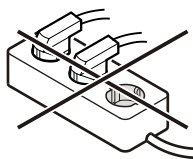
The socket must be properly earthed and protected by a fuse.

The tripping current of the fuse must be between 10 A and 16 A.

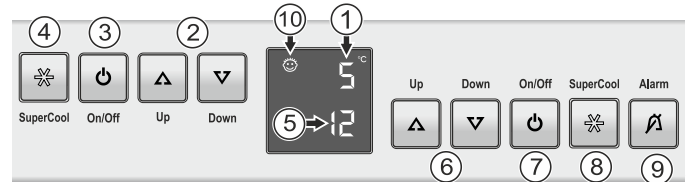
The socket must not be situated behind the appliance and must be easily accessible.

Do not connect the appliance using an extension cable or extension socket.

Do not use stand-alone inverters (conversion of direct current to alternating/three-phase current) or energy-saving plugs. Risk of damage to the electronic control system!



Operating and control elements



Refrigerator

- ① Temperature display
- ② Temperature setting buttons
- ③ On/Off button
- ④ SuperCool button

Cellar temperature compartment

- ⑤ Temperature display
- ⑥ Temperature setting buttons
- ⑦ On/Off button
- ⑧ SuperCool button
- ⑨ Audible warning on/off button
- ⑩ Child lock

Switching the appliance on and off

Clean the interior of the appliance before switching it on for the first time (see **"Cleaning"**).

Switching the appliance on

Press the On/Off button ③ or ⑦ so that the temperature displays light up.

Switching the cellar temperature compartment off

Press the On/Off button ⑦ for approx. two seconds.

Note

If the refrigerator compartment (On/Off button ③) is switched off, the entire appliance will be switched off.

Setting the temperature

The temperature of the refrigerator and cellar temperature compartment can be set separately.

To increase the temperature

Press the **Up** button.



To reduce the temperature

Press the **Down** button.

- When pressing one of the buttons for the first time, the display will start to flash.
- Pressing this button again enables you to change the temperature setting.
- The electronic control system will switch over automatically about 5 seconds after the last time you pressed the button, and the actual temperature will be displayed.

The temperature can be set in the refrigerator compartment: between 9°C and 4°C and in the cellar temperature compartment: between 14°C and 6°C.

The temperature in the BioFresh compartment can be changed if required. See **"Setup mode"** for more information.

Door open alarm

If the door is left open for more than 60 seconds, the audible warning signal will sound.

If the door must be opened for a lengthy period to place items into the appliance, cancel the audible warning signal by pressing the **Alarm** button.



The alarm switches back to standby when the door is shut.

If **F0**, **F1**, **F2**, **F3** or **F4** appears in the display, the appliance has suffered a fault. In this case, contact the customer service department.





Setup mode

In setup mode, you can set the child lock, adjust the brightness of the display and set the temperature in the BioFresh compartment slightly lower or higher.

The child lock is designed to protect the appliance from being switched off accidentally.


Activating the child lock

Press  for 5 seconds. Display = 




 Display = 




 Display = 

 Display =  

Exit setup mode by pressing the  button.


Deactivating the child lock

Press  for 5 seconds. Display =  

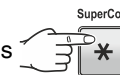

 Display =  

 Display =  

 Display = 


Exit setup mode by pressing the  button.

Adjusting the display brightness

Press  for 5 seconds. Display = 


 Display = 

 Display = 

Use buttons  and  to select the desired setting.

h1 = minimum brightness
h5 = maximum brightness

 Display = 

Exit setup mode by pressing the  button.

Close the appliance door. The adjusted brightness will be activated after one minute.

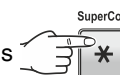

Note

If a button is pressed, the display lights up for one minute at maximum brightness.

When commissioning the appliance, the adjusted brightness will only be active once the set interior temperature of the appliance has been reached.


Adjusting the temperature in the BioFresh compartment

The temperature is controlled automatically between 0°C and 3°C, the recommended temperature is 1°C. You can set the temperature slightly lower or higher.

Press  for 5 seconds. Display = 

 Display = 


 Display = 

Use buttons  and  to select the desired setting.

The temperature can be adjusted from **b1** (coldest temperature setting) to **b9** (warmest temperature setting). The presetting is **b5**.

At the **b1** to **b4** settings the temperature may drop below 0°C and therefore the food may freeze slightly.

 Display = 

Exit setup mode by pressing the  button.

Cooling

Storage example

- ① Butter, cheese, eggs
- ② Cans, tubes
- ③ Bottles
- ④ Frozen food, ice cubes
- ⑤ Meat, sausage products, dairy products

BioFresh compartment

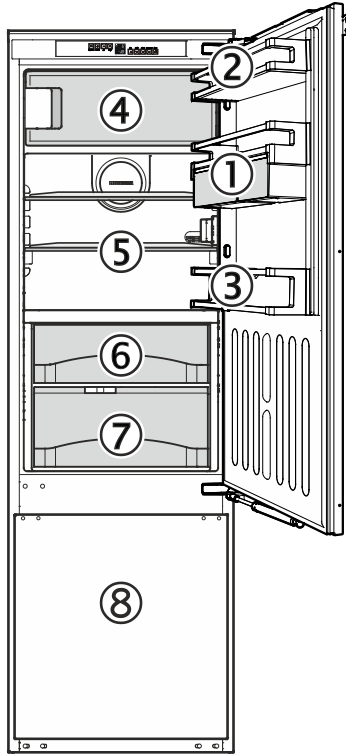
- ⑥ Meat, sausage products, fish, dairy products
- ⑦ Salad, fruit, vegetables

Cellar temperature compartment

- ⑧ Salad, fruit, vegetables, drinks

Note

- Food which gives off or absorbs odours and flavours as well as liquids should always be stored covered or in closed containers. High-percentage alcohols should be tightly sealed and stored upright.
- Reuseable plastic, metal, aluminium and glass containers can be used for packaging.



Pull-out compartment with cellar temperatures

Suitable for storing cold-sensitive vegetables, tropical fruit and any food or drink you do not wish to consume too cold.

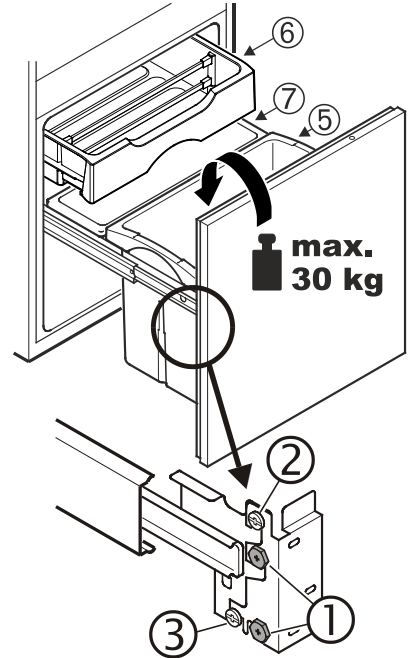
- ⑤ Bottle container
- ⑥ Container for vegetables and tropical fruits
- ⑦ Container for small fruits and vegetables

For cleaning, remove the container ⑤ by simply lifting it.

To remove the container ⑥, pull it out completely, lift it at the back and pull it out towards you.

Container ⑦ is fastened with screws.

- To insert container ⑥ :
- Extend the pull-out rails as far as they will go.
 - Place the container on the rails and slide it in.



Adjusting appliance door

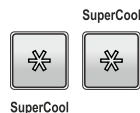
- Slacken screws ① right and left.
- Adjust door angle with setscrew ② and height with setscrew ③.
- Fasten appliance door with screws ①.

SuperCool

By activating the SuperCool function, the temperature in the refrigerator/cellar temperature compartment will drop to its lowest value. It is recommended if large quantities of food are to be cooled rapidly.

To switch on

Press the SuperCool button briefly so that the LED comes on.



Note

The SuperCool function for the refrigerator switches off automatically after about 6 hours, while SuperCool for the cellar temperature compartment continues for approximately 18 hours.

Saving energy

- Always ensure good ventilation. Do not cover ventilation openings or grille.
- Always keep fan slits clear.
- Do not place the appliance in areas of direct sunlight or next to a cooker, radiator or similar object.
- The energy consumption depends on the installation conditions, e.g. the ambient temperature.
- Keep the time the appliance is open to a minimum.
- Store food logically.
- Ensure that all food is well packed and covered for storage. This will prevent frost from forming.
- First cool warm food to room temperature before storing it.
- Defrost frozen food in the refrigerator.

Freezer compartment

- If there is a thick layer of frost in the appliance: defrost the appliance.

BioFresh compartment

The BioFresh compartment enables you to keep food for up to 3 times longer than in normal refrigerators.

The constant temperature of just above 0°C and the adjustable humidity provide the ideal storage conditions for different types of food.

The BioFresh compartment satisfies the requirements of a chill compartment to EN ISO 15502.

The top drawer

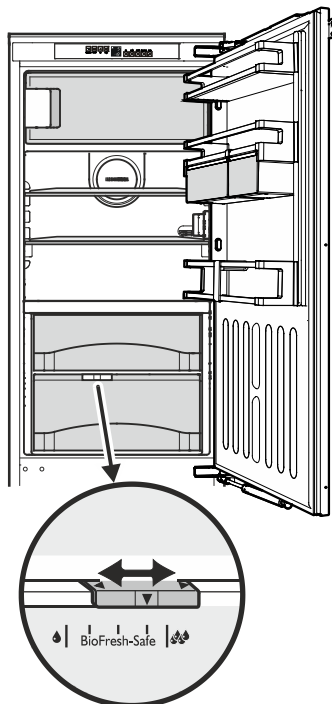
is suitable for storing dry or wrapped food (e.g. dairy products, meat, fish, cold meats). The storage climate in this drawer is relatively dry.

The drawer with humidity control

When set to "humid" this drawer can be used for storing salad, vegetables and fruit. You can set the humidity in this drawer to dry or moist as required.

Humidity selection

- **"dry" setting:** small humidity symbol - slide control to left. Insert food that is suitable for being stored in a dry climate.
- **"humid" setting:** high relative humidity of max. 90%, large humidity symbol - slide control to right. This setting is suitable for storing unwrapped food with a high moisture content such as fresh lettuce.



Notes

- Unwrapped animal and vegetable foods should be stored separately in the drawers. If there is not enough space for them to be stored separately, make sure that they are wrapped. Do not allow different types of meat to come into contact with one another but keep them packaged separately so as to avoid premature bacterial spoilage.
- The following products should not be stored in the Biofresh compartment: hard cheese, potatoes, cold-sensitive vegetables such as cucumber, peppers, aubergines, avocados, semi-ripe tomatoes, beans, zucchini, and all cold-sensitive tropical fruits such as pineapple, bananas, grapefruit, melons, mangoes, papaya, etc.



Freezer compartment

You can store frozen food for several months, make ice cubes and freeze fresh food in the freezer compartment at a temperature of -18°C and lower.

The air temperature in the compartment, measured by thermometer or other instruments, may fluctuate.

Freezing

Fresh food should be frozen to core as quickly as possible. The maximum amount of food (in kg) which can be frozen in 24 hours is shown on the type plate ("**Freezing capacity**").

- Set the temperature in the refrigerator to 5°C or lower.
- Switch on the cellar temperature compartment (if it is switched off). 
- Wait 24 hours.
- Press the SuperCool button for the cellar temperature compartment before placing fresh food in it. 
- After approx. 24 hours the fresh food will be frozen.
- Return the temperature in the refrigerator to the normal setting.

Deep frozen food can be placed into the cold freezer compartment straight away.

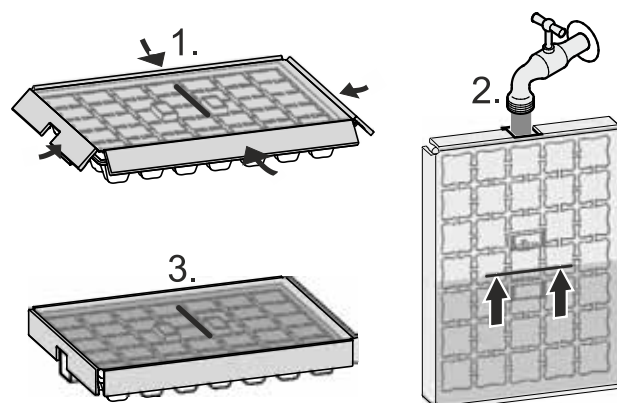
Notes on freezing

- Pack frozen food in standard freezer bags or reusable plastic, metal or aluminium containers.
- Always write the date and contents on the pack and do not exceed the stated storage time for the food.
- Do not freeze bottles and cans which contain carbonated drinks as they might burst.
- Only take out as much food as is immediately required for thawing. Use food which has been thawed in prepared meals as quickly as possible.

Frozen food can be thawed in the following ways:

- in a fan oven
- in a microwave oven
- at room temperature
- in the refrigerator

Making ice cubes



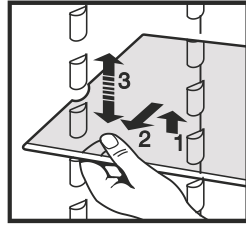
When the water is frozen:

- Remove the lid.
- Gently turn the ends of the ice cube tray in opposite directions and release the cubes.

Equipment

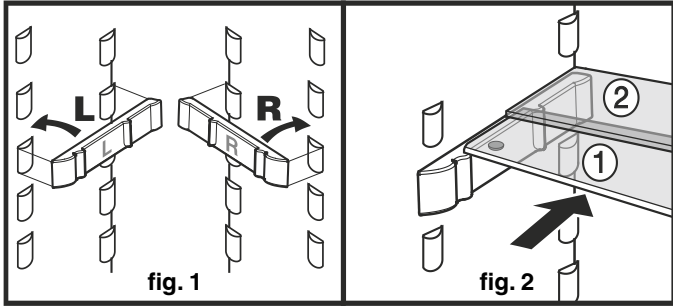
You can re-arrange the **storage shelves** as required.

Lift the glass shelf, align the recess over the support and replace the shelf in a higher or lower position.



The **sectioned glass shelves** can be moved to make space for tall containers. Place the shelf rails provided, fig. 1, on the supports on the left and right at the desired height.

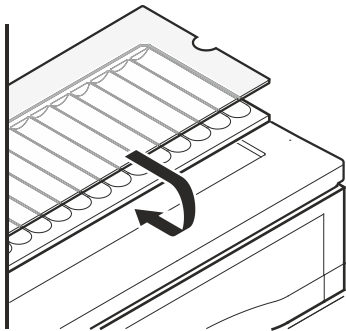
Insert the glass shelves ① and ② as shown in fig. 2. If you need to make space for tall containers, simply slide the **front half** of the sectioned glass shelf carefully underneath the back half, fig. 2.



Bottle shelf

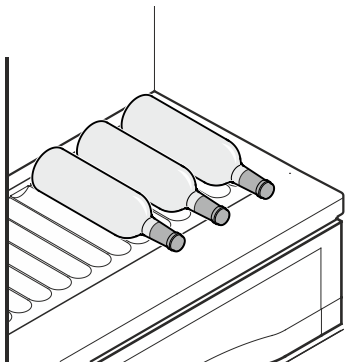
The shelf above the BioFresh drawers can be used for storing bottles horizontally.

Remove the glass plate and insert it under the shelf plate.



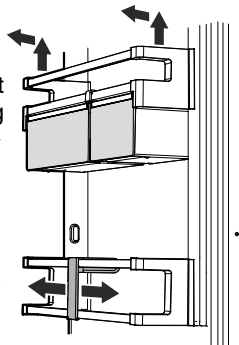
The recesses in the shelf plate ensure that the bottles are stored securely.

When storing tall bottles, the bottom door rack must be moved further up.



Repositioning the door racks

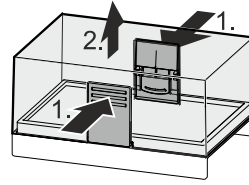
Lift door rack vertically, lift out to the front and re-insert at a different height, following these steps in the reverse order.



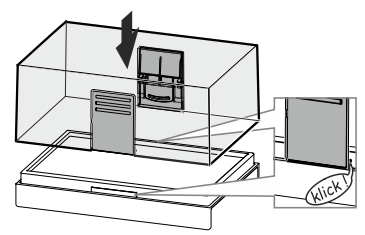
By shifting the **bottle holder** you can protect the bottles from falling over when opening or closing the door.

Butter dish

Opening the butter dish



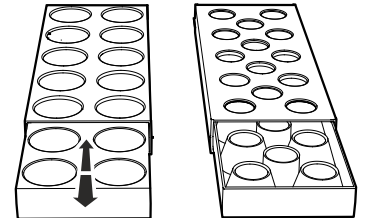
Closing the butter dish



Egg tray

You can take out and rotate the egg tray.

You can use the two parts of the egg tray to mark different use-by dates, for example.

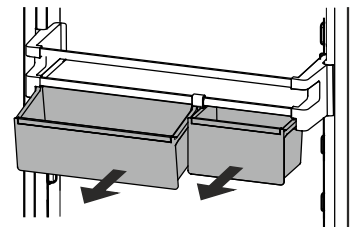


- Use the top part to store e.g. chicken eggs.
- Use the bottom part to store quails' eggs.

Vario Box

You can use just one or both boxes.

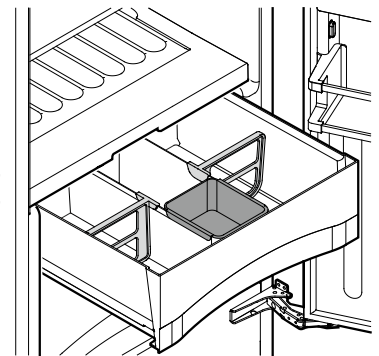
To store oversized bottles, just suspend one box over the bottle rack.



FlexSystem

The FlexSystem helps you store and organise your food in a clear and flexible way.

It lets you clearly divide your food into fruit, vegetables or by use-by dates, for example.



Interior light

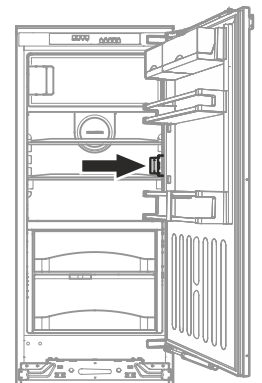
The interior light will always switch on when the appliance door is opened.

The light intensity of the LED light corresponds to laser class 1/1M.

⚠ Important

The light cover may only be removed by customer service staff.

If the cover is removed, do not look directly at the light through optical lenses from close distance. This can damage your eyes.



Defrosting

After a long period of operation, a layer of frost or ice can build up inside the freezer compartment. This increases energy consumption. You should therefore defrost the freezer compartment regularly.

- Switch the appliance off to defrost. Disconnect from the mains or switch off the fuse.
- Wrap the frozen food in paper or blankets and store in a cool place.
- Leave the door of the appliance open while defrosting.
- After a defrosting time of approx. 20 minutes, the layer of frost or ice can be detached from the interior container by hand and removed.
- Mop up the remaining water with a cloth and clean the appliance.

Do not use any mechanical devices or other artificial aids for defrosting other than those recommended by the manufacturer.

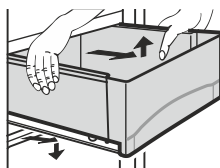
Cleaning

Before cleaning, always switch off the appliance. Disconnect from the mains or switch off or unscrew the fuse.

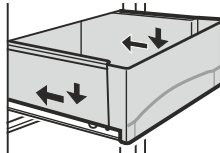
- Clean the inside and equipment with lukewarm water and a little detergent. Do not use abrasive or acid cleaners or chemical solvents.

Do not use steam cleaners because of the risk of injury and damage.

- Ensure that no cleaning water penetrates into the electrical components.
- Dry all parts well with a cloth.
- Do not damage or remove the type plate on the inside of the appliance. It is very important for servicing purposes.
- To clean the **BioFresh drawers**, pull the drawers right out, grip at back and lift out.



- To insert: place drawers on the fully extended rails closest to the door handle side of the appliance - the rails must align with the front of the drawer - and slide in.

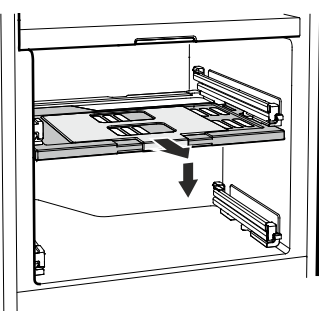


To remove the humidity control plate

Having removed the drawers, carefully draw the plate forwards and lower it for removal.

To insert the humidity control plate

Insert the cover mouldings of the plate into the rear holder from underneath and engage them in the holder at the front.



Malfunctions

• F1, F2, F3 or F4 appears in the display.

- The appliance has suffered a fault. Contact the customer service department.

• When inserting the mains plug, the refrigeration unit does not switch on, but a value is shown in the temperature display.

- Demo mode is activated. Contact the customer service department.

You may be able to rectify the following faults by checking the possible causes yourself:

• Appliance does not function:

- Is the appliance switched on?
- Is the plug correctly fitted in the mains socket?
- Is the fuse intact?

• Loud running noise:

- Is the appliance set up firmly on the floor?
- Does the appliance cause nearby items of furniture or objects to vibrate? Please note that noises caused by the refrigerant circuit cannot be avoided.

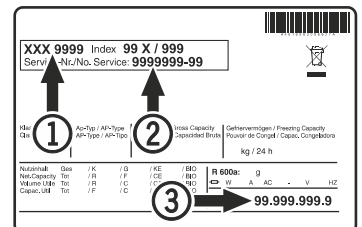
• The temperature is not low enough:

- Is the temperature setting correct (see "Setting the temperature")?
- Does the separately installed thermometer show the correct reading?
- Is the ventilation system working properly?
- Is the appliance set up too close to a heat source?

• The inside of the appliance may feel warm in places.

- That is normal. The dissipated heat is necessary for normal operation of the appliance.

If none of the above causes apply and you cannot rectify the fault yourself, contact the nearest customer service department stating the type designation ①, service number ② and appliance number ③ as indicated on the type plate.



The position of the type plate is shown in the section entitled **Description of the appliance**.

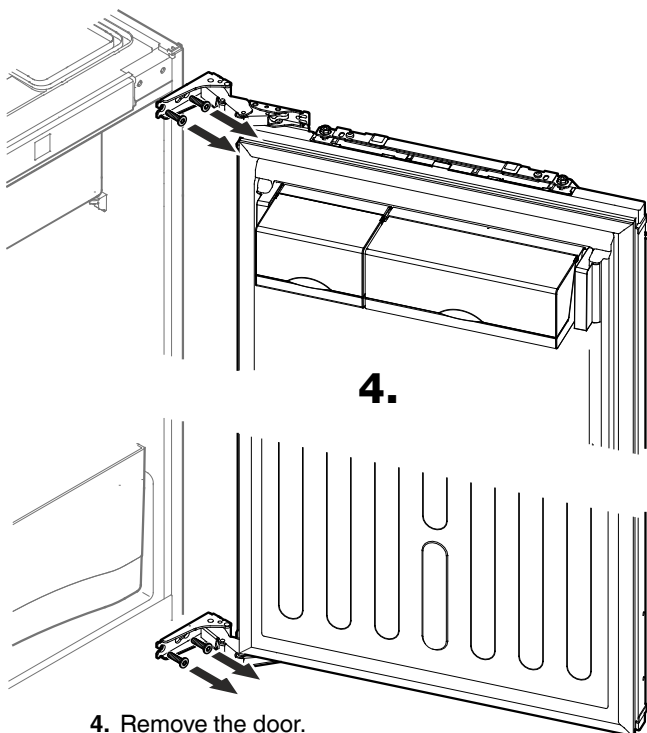
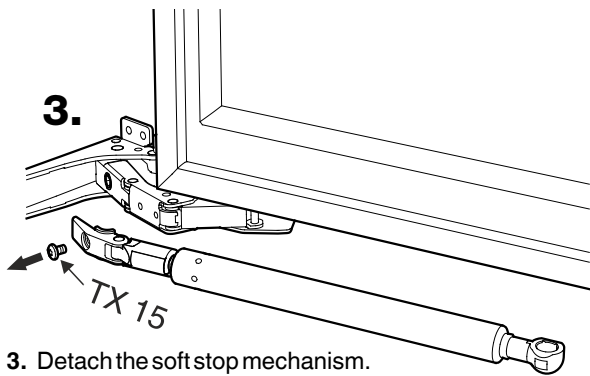
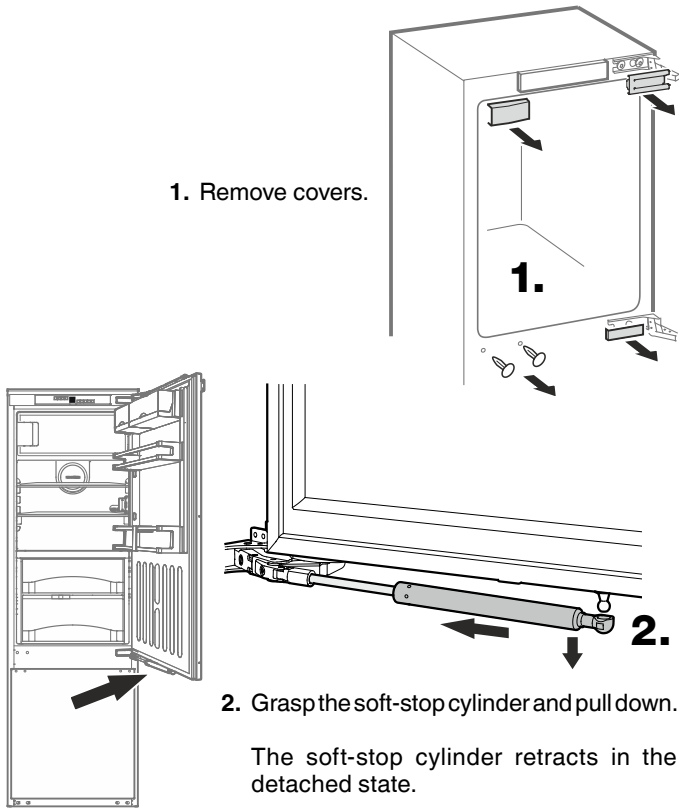
Shutting your appliance down

If your appliance is to be shut down for any length of time, switch it off and disconnect the plug or switch off or unscrew the fuse.

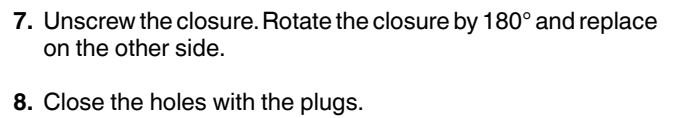
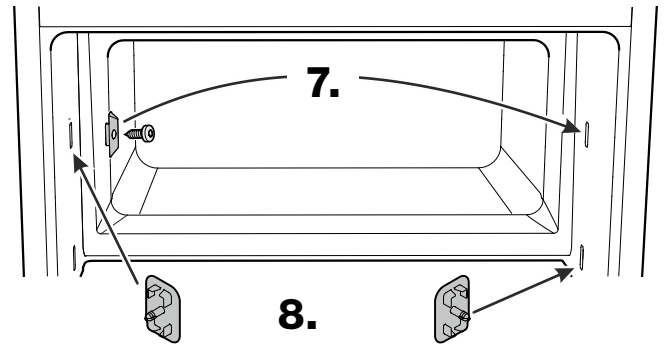
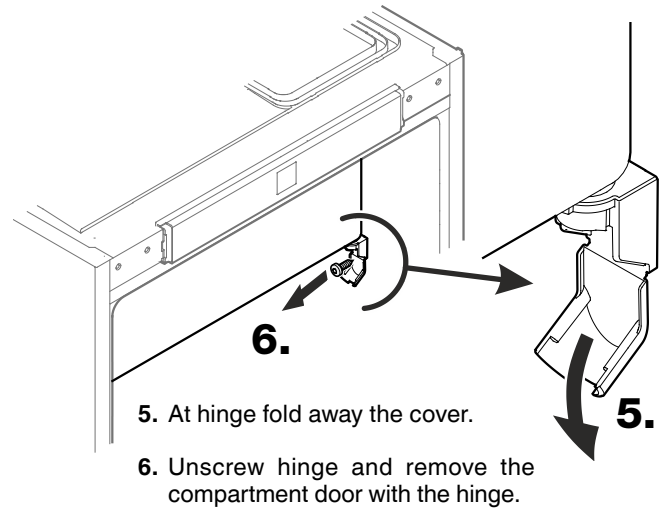
Clean the appliance and leave the door open in order to prevent unpleasant smells.

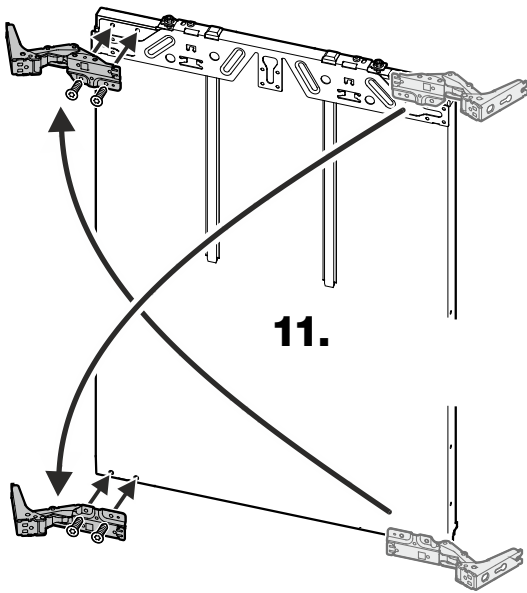
The appliance complies with the relevant safety regulations and EU Directives 2014/30/EU and 2014/35/EU.

Changing over door hinges

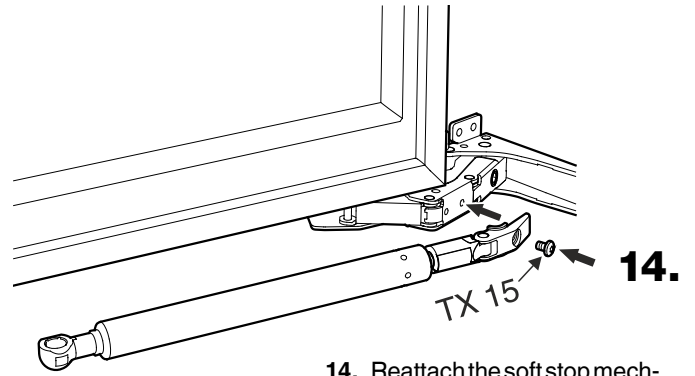


Changing the compartment door

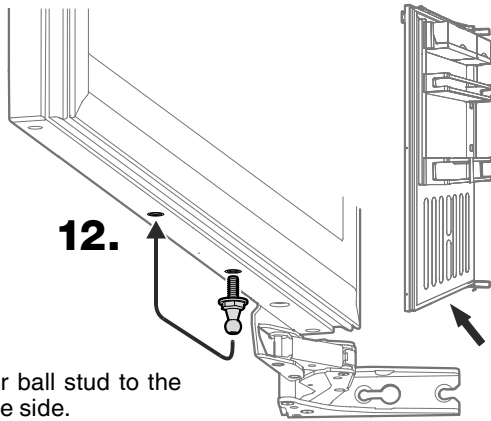




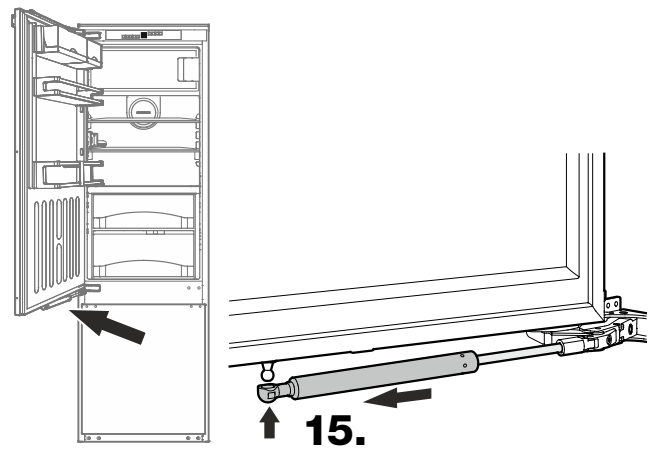
11. Unscrew hinges and re-fit on the opposite side at diagonals to the original position.



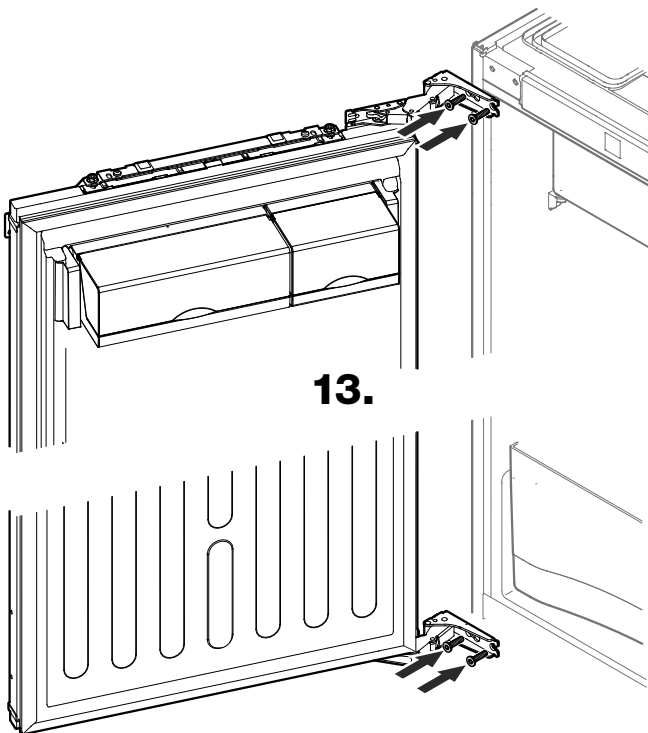
14. Reattach the soft stop mechanism.



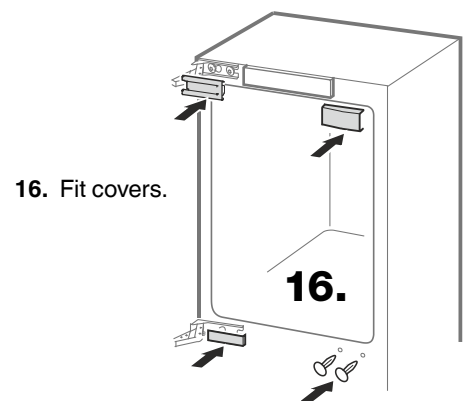
12. Transfer ball stud to the opposite side.



15. Extend the soft-stop cylinder and connect with the ball stud.

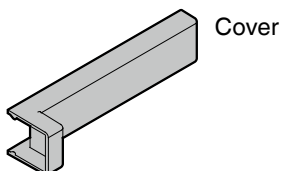
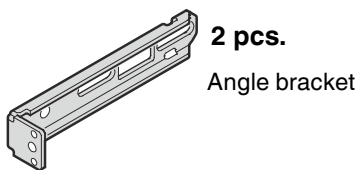
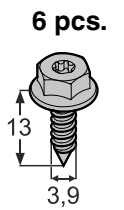
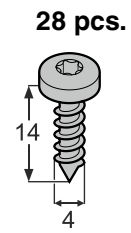
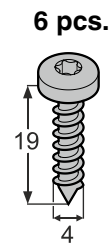
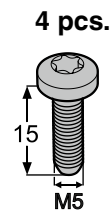
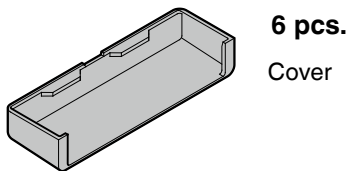
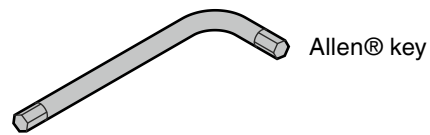
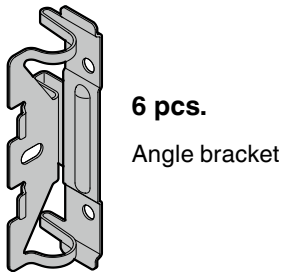
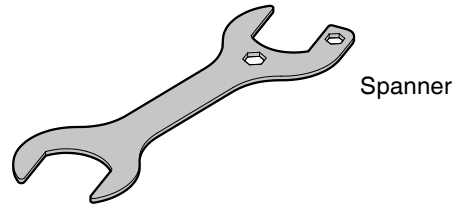
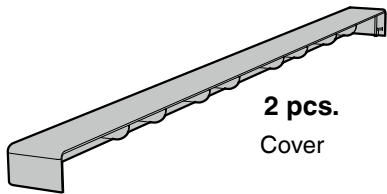
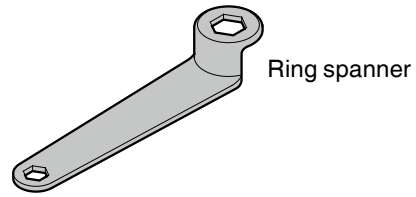
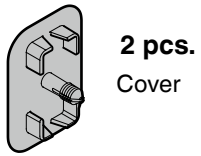
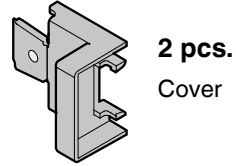
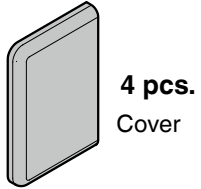
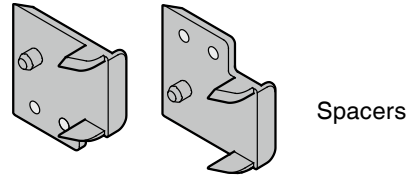
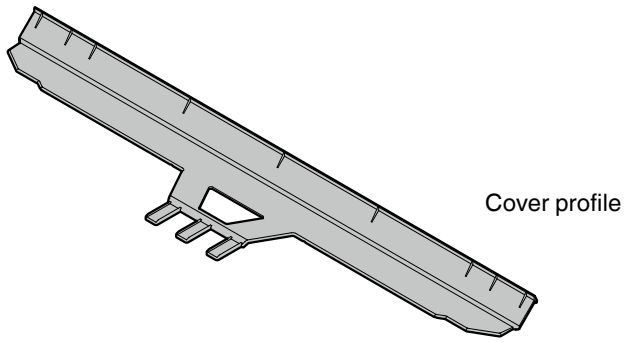


13. Reattach the door.

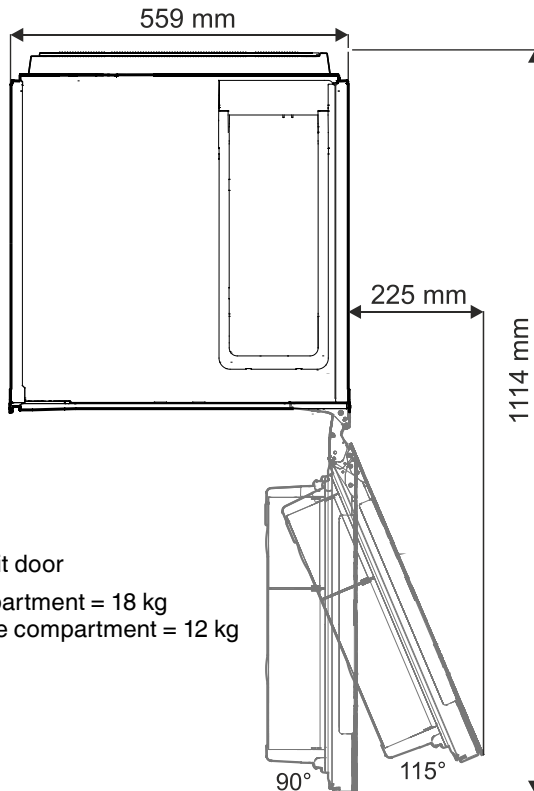
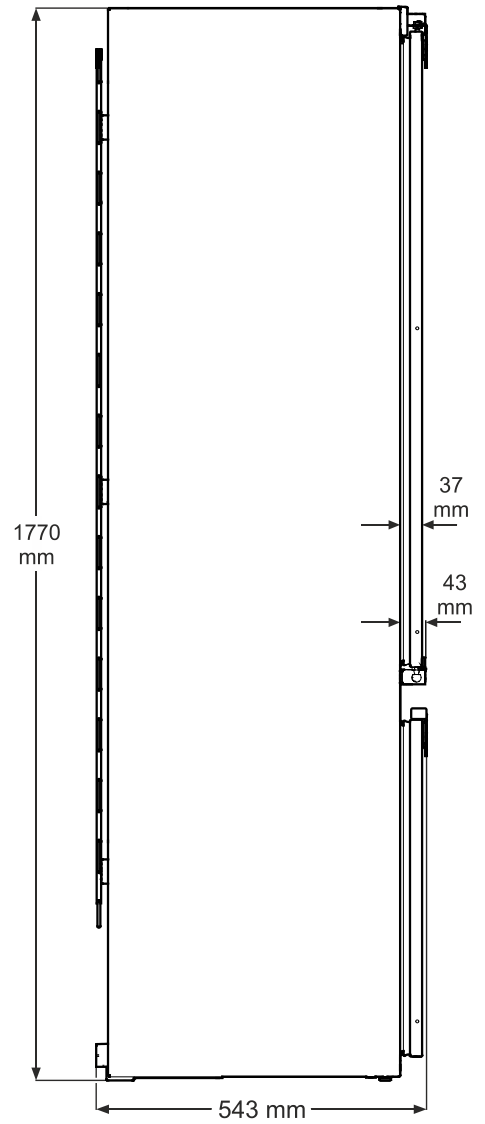
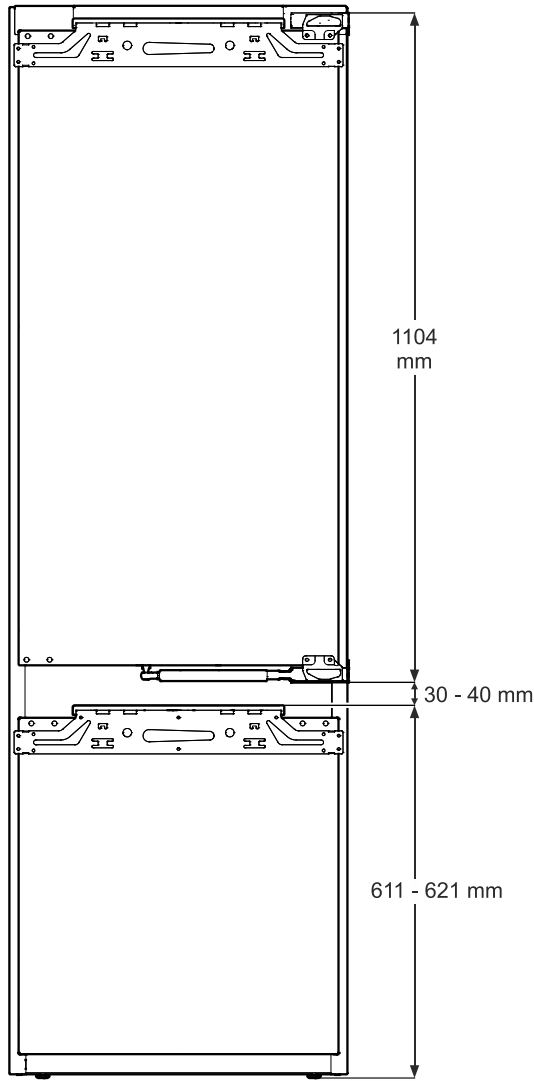


16. Fit covers.

Supplied accessories

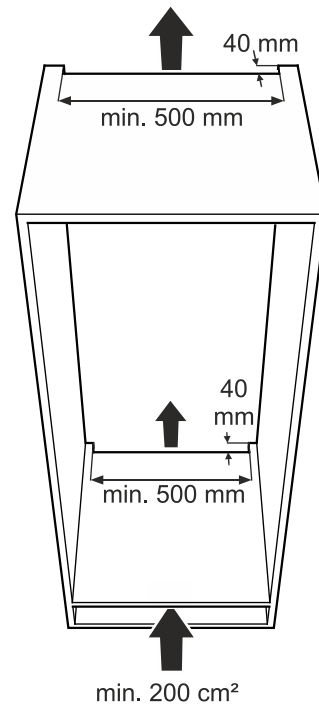


Appliance dimensions



Max. weight of unit door
 Refrigerator compartment = 18 kg
 Cellar temperature compartment = 12 kg

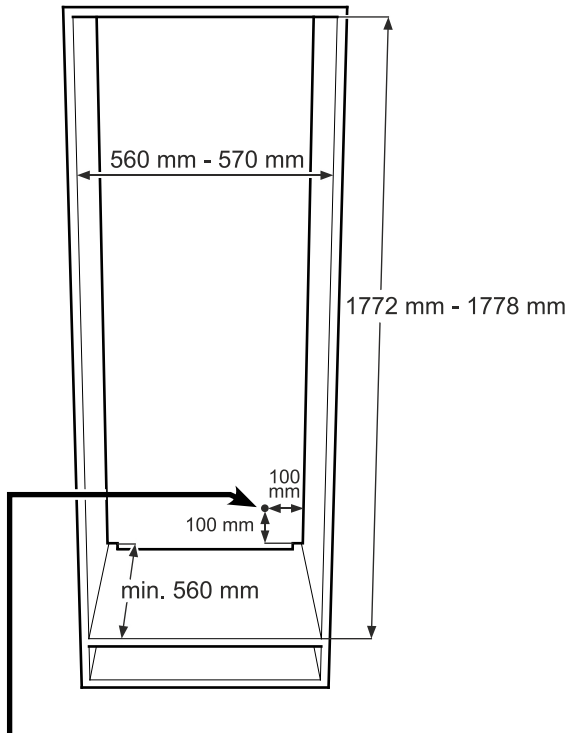
Appliance venting



Installation dimensions

Important

The kitchen unit must be aligned horizontally and vertically.



In this area, the power cord comes out of the appliance rear.

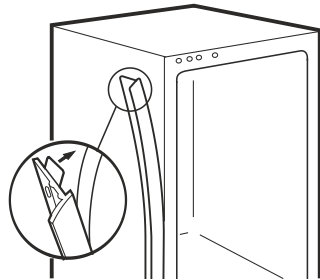
Free length of the power cord = **2000 mm**

Choose the position of the socket considering these specifications.

The socket must not be situated behind the appliance and must be easily accessible.

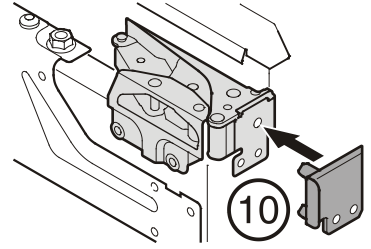
Stick sealing strip onto the side of the appliance on the handle side flush with the front.

Shorten to recess height if necessary.

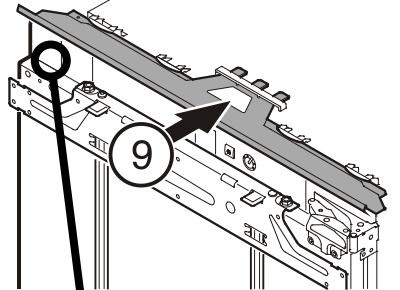


Installing in a kitchen unit

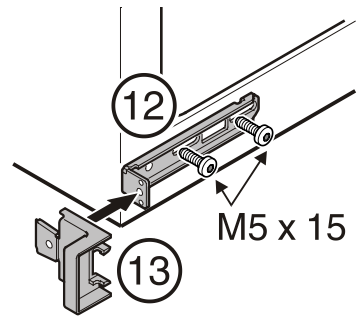
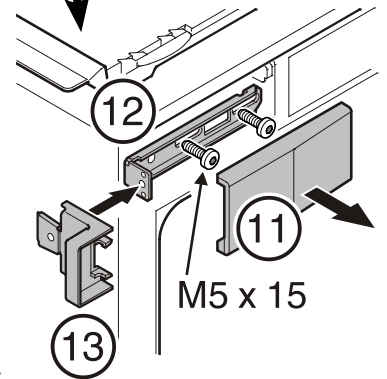
- For 16 mm unit wall (568 mm recess):
- Clip spacers (10) onto the hinges.



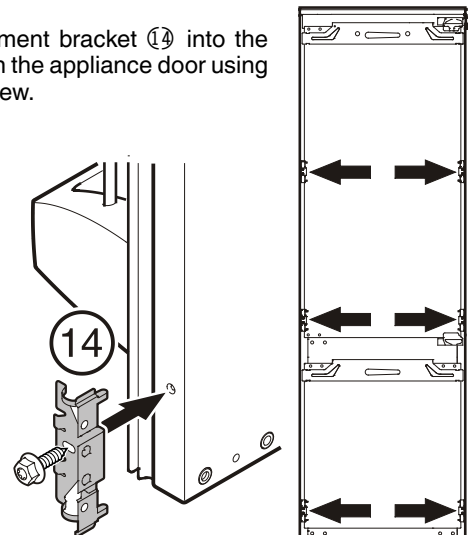
- Fit the cover profile (9) in the recesses on the retainer.

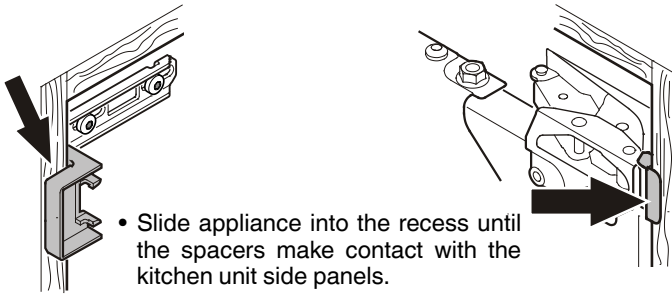


- Remove cover (11).
- Screw on the attachment brackets (12) top and bottom.
- Clip the stop brackets (13) onto the attachment brackets top and bottom.



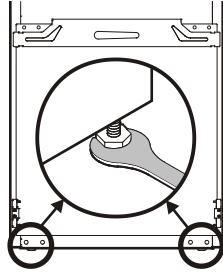
- Screw the attachment bracket (14) into the predrilled holes on the appliance door using the hexagonal screw.





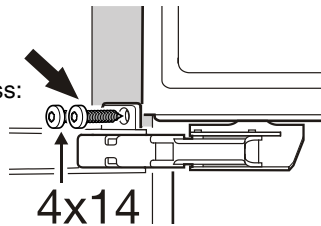
- Slide appliance into the recess until the spacers make contact with the kitchen unit side panels.

- Use the adjusting feet to align the appliance to an upright position, using the spanner supplied.



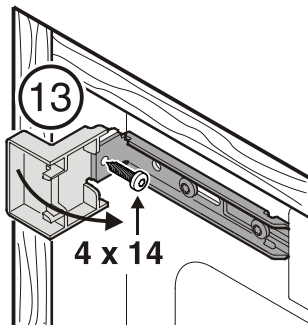
Fasten the appliance in the recess:

- through the hinges at the side.

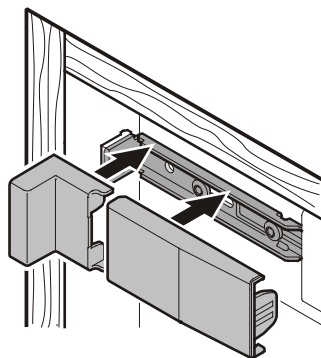


Fasten the appliance in the recess:

- through the top and bottom attachment brackets at the side.
- Snap off and remove the front part of the stop bracket (13). This part will be needed for covering the top bracket in the next step.

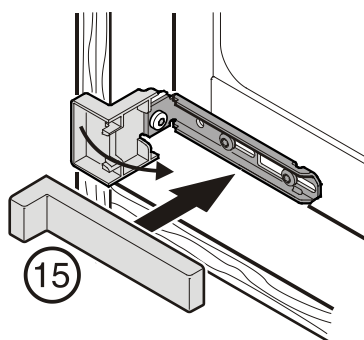


- Attach the top left covers.



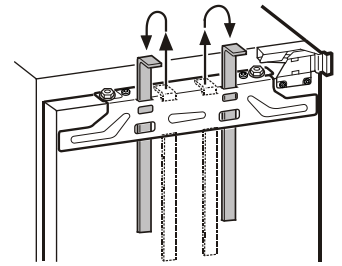
- Snap off and remove the front part of the bottom stop bracket. This part is no longer needed.

- Click cover (15) into place.

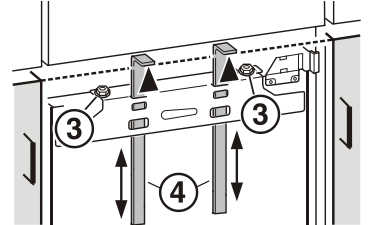


Fitting a unit door

1. Lift the fitting aids out to the top, turn round and insert into the adjacent openings.



2. Slide the fitting aids (4) up level with the unit door: underside of stop edge of fitting aid = upper edge of unit door.

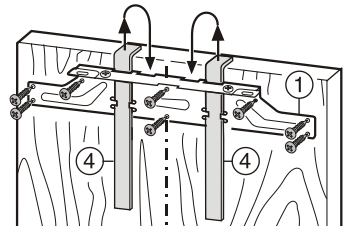


3. Unscrew the counter-nuts (3).

4. Suspend the attachment strut (1) on the unit door.

5. Fasten the attachment strut (1).

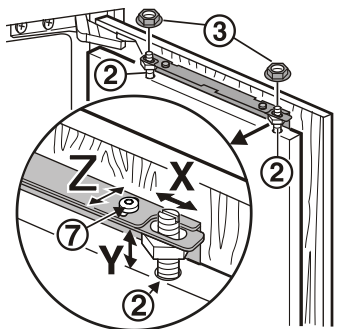
6. Lift the fitting aids (4) out to the top, turn round and insert into the adjacent openings.



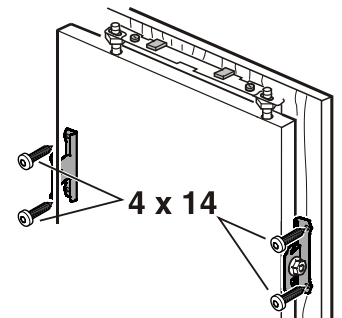
7. Suspend the unit door on the door of the appliance/adjusting pins (2). Screw the counter-nuts (3) loosely onto the adjusting pins.

8. Align the unit door flush with the surrounding unit fronts: align laterally X by sliding in the corresponding direction, adjust height Y and lateral tilt with the adjusting pins (2) with a screwdriver. Tighten counter-nuts (3).

9. Adjust the depth of the unit door Z: loosen the screws (7).



10. Screw the appliance door onto the unit door through the attachment brackets.



11. Attach all the covers (15, 16, 17).

