


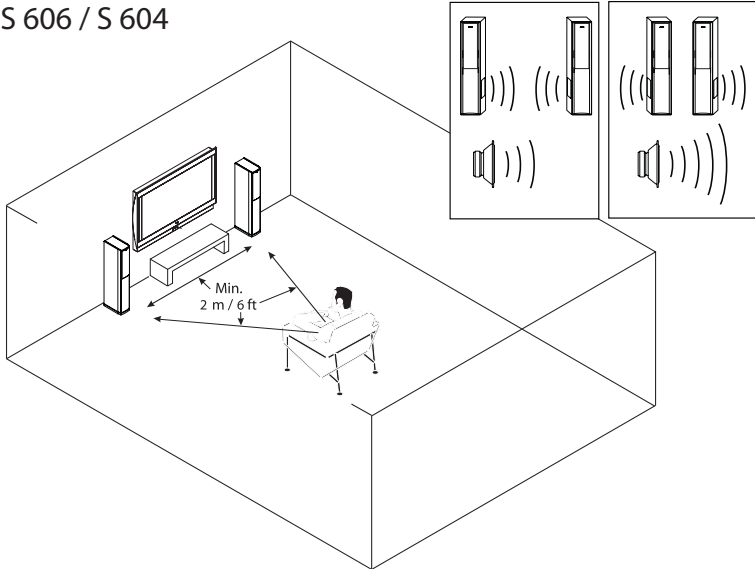
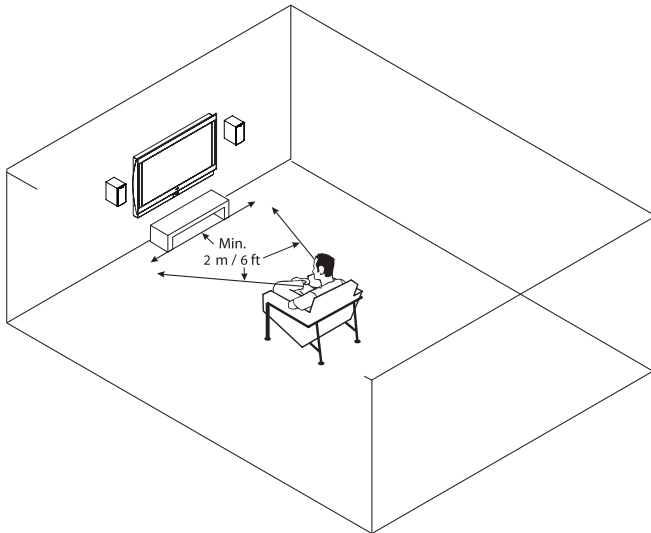
	Note! Bemærk! Achtung!	A noter Attentie! Obs!	¡Atención! Attenzione! Atenção!	Huomaa! 注意! Προσοχή!	Внимание! Megjegyzés! Uwaga!	Dikkat! Upozornění! Pozor!	Opomba! 注意! ملاحظة!
	Wrong Forkert Falsch!	Faux Fout! Fell!	¡Incorrecto! Sbagliato! Errado!	Väärin! 错误! Λάθος!	Неправильно! Hibás! Nieprawidłowo!	Yanlış! Špatně! Nesprávne!	Napačno! 間違！ خطا!
	Correct Korrekt Richtig!	Vrai Goed! Rätt!	¡Correcto! Giusto! Correto!	Oikein! 正确! Σωστό!	Правильно! Megfelelő! Prawidłowo!	Doğru! Správně! Správne!	Pravilno! 正しい！ صحيح!
	Listen Lyt Hören!	Ecoutez! Luister! Lyssna!	¡Escuche! Ascoltare! Ouça!	Kuuntele! 倾听！ Ακούστε!	Слушайте! Hallgassa meg! Sluchaj!	Dinle! Poslouchejte! Počúvajte!	Poslušajte! 聴取！ استمع!

1 Placement

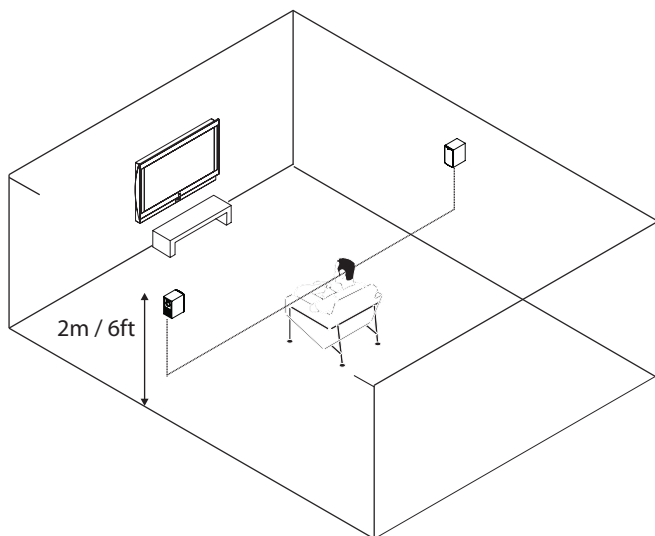
S 608 / S 606 / S 604



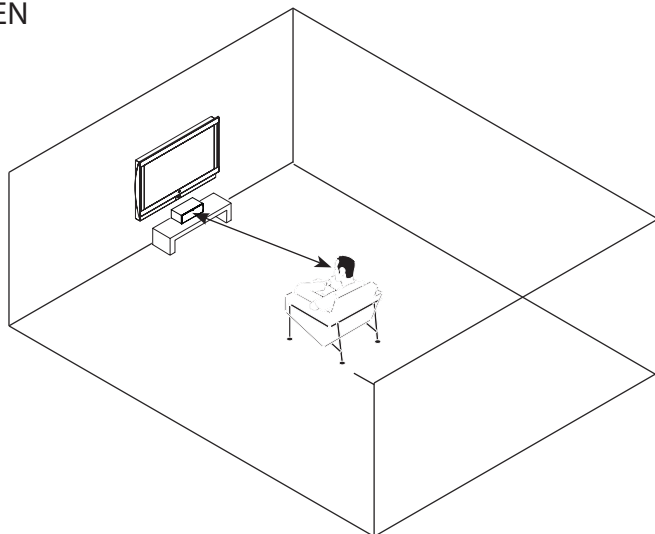
S 602



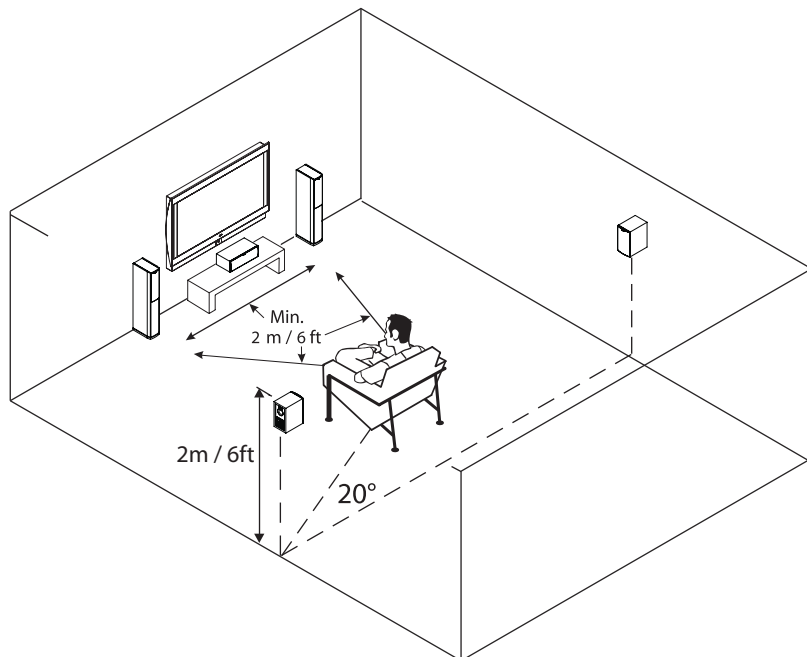
S 602 / S 600 SUR



S 600 CEN

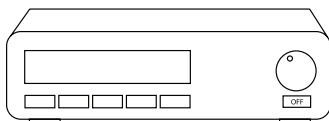
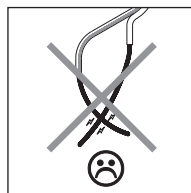
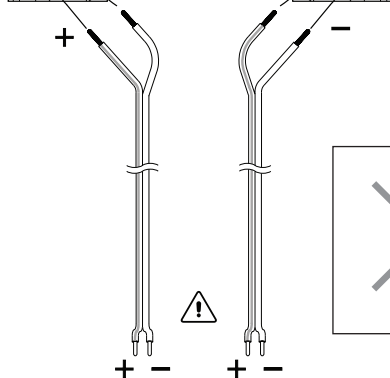
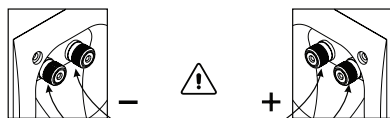
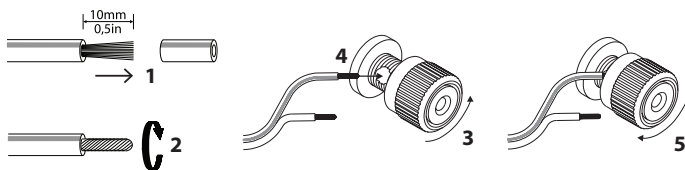
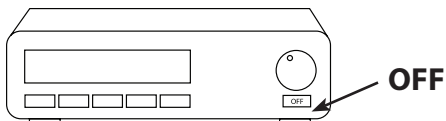


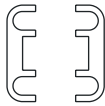
S 608 HCS 3 / S 606 HCS 3



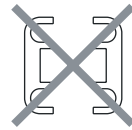
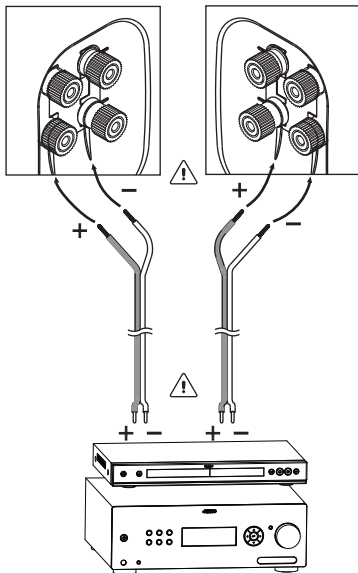
	Front	CEN	SUR
S 608	•		
S 606	•		
S 604	•		
S 602	•		•
S 600 CEN		•	
S 600 SUR			•

2 Setup

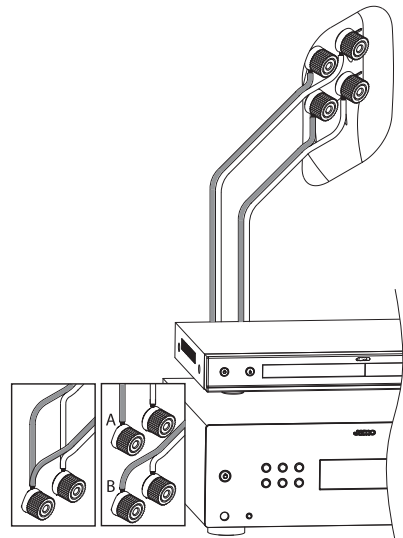




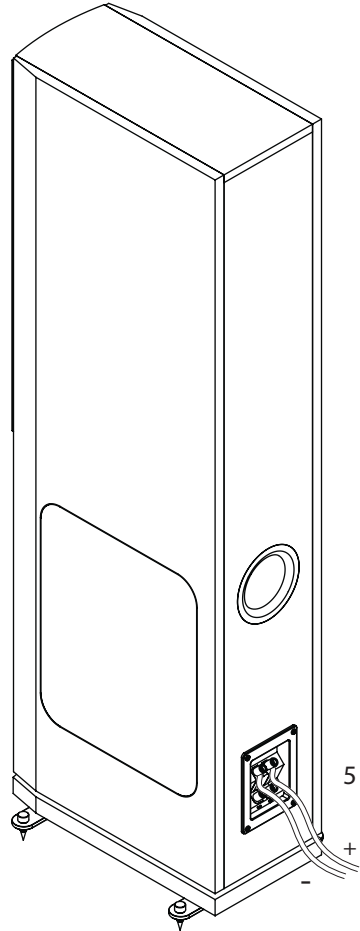
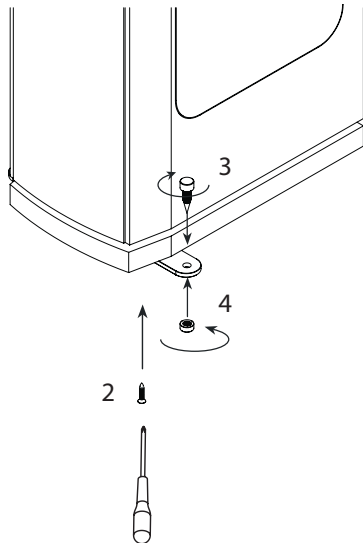
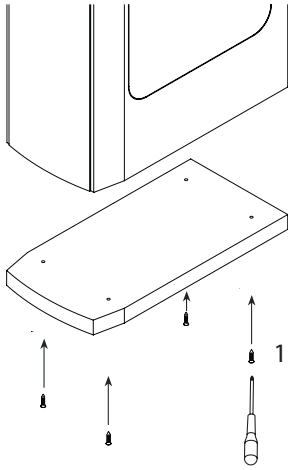
Setup A - single wiring
S 608 / S 606 / S 604



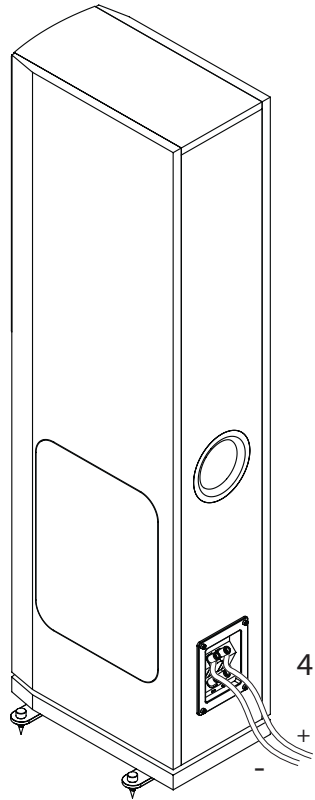
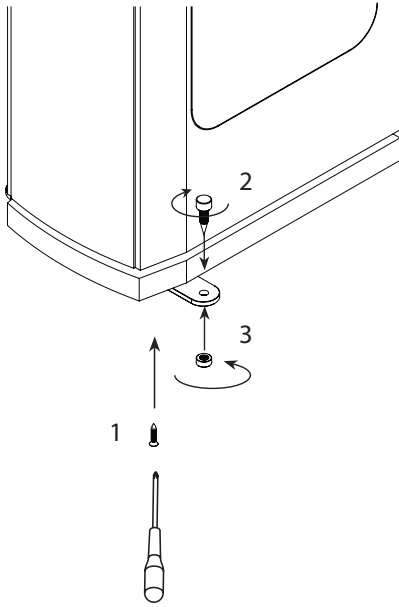
Setup B - bi-wiring
S 608 / S 606 / S 604



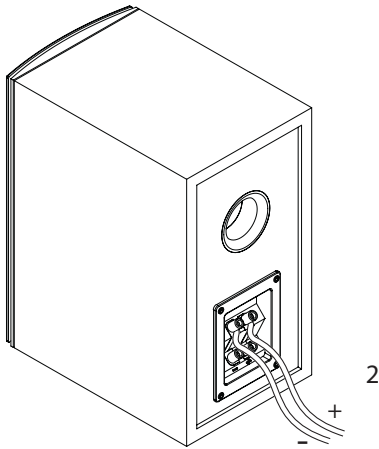
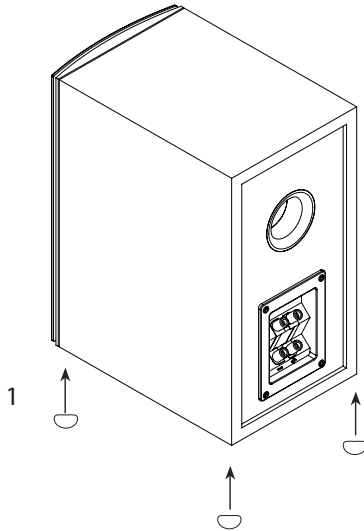
S 608



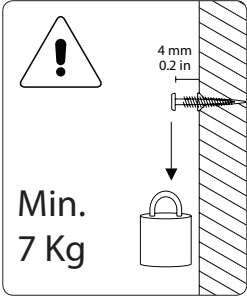
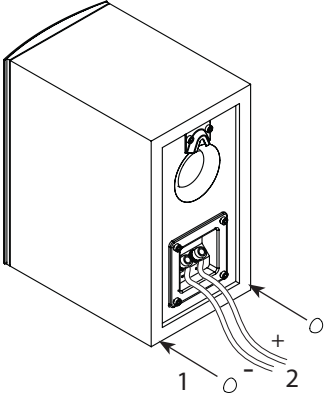
S 606



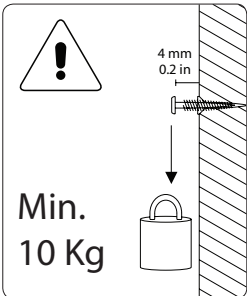
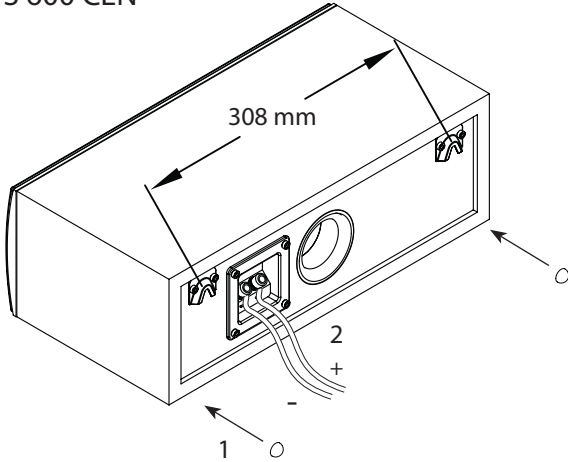
S 604



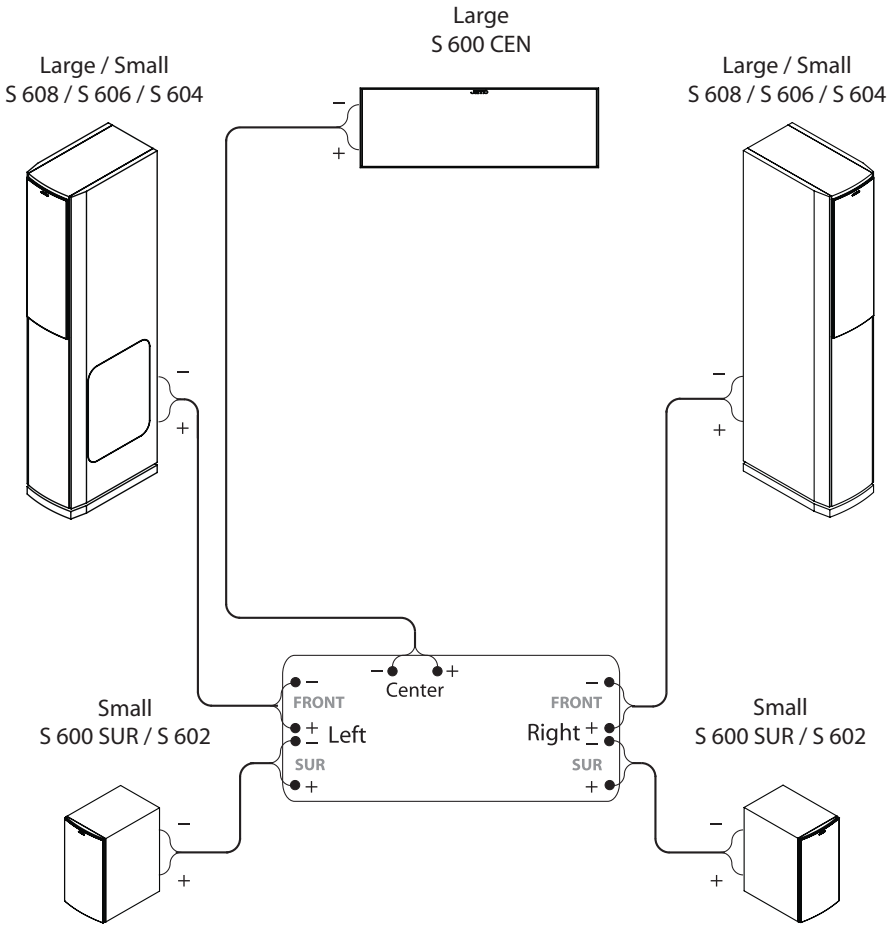
S 600 SUR / S 602



S 600 CEN

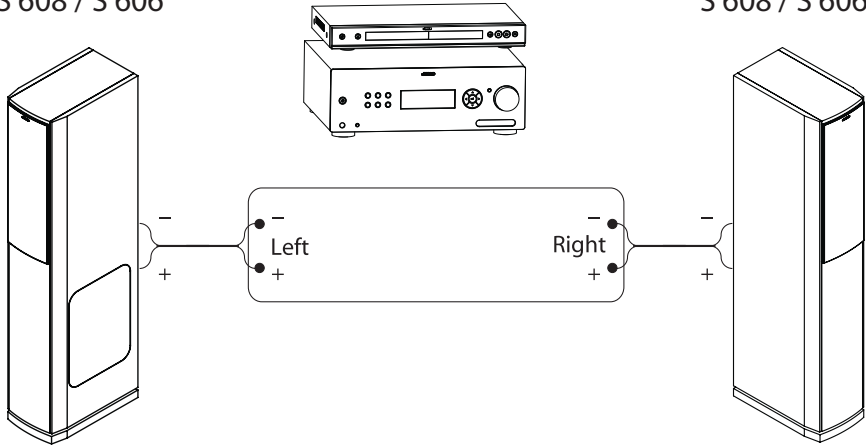


3 System Connection



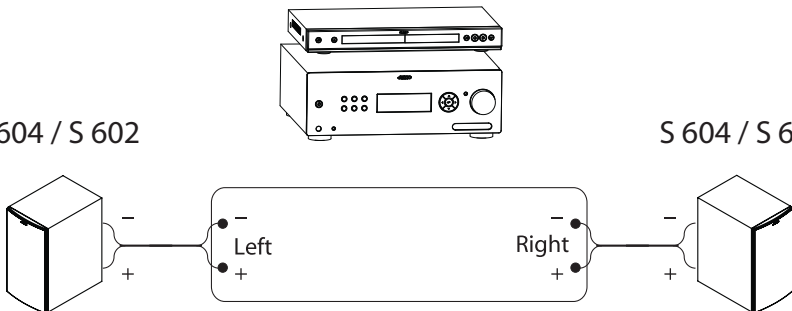
S 608 / S 606

S 608 / S 606



S 604 / S 602

S 604 / S 602



4 Specifications



Type	S 608
System	3-Way Bass Reflex
Woofers (mm / in)	254 / 10
Midrange (mm / in)	3 x 127 / 5
Tweeter (mm / in)	25 / 1
Power (W, long / short term)	150 / 240
Sensitivity (dB/2.8V/1m)	90
Frequency Range (Hz)	37 - 20,000
Impedance (Ohm)	6
Weight (Kg / lb)	25,5 / 58.4
Dimension HxWxD (mm / in)	1134 x 190 x 380 / 44.6 x 7.5 x 13.6

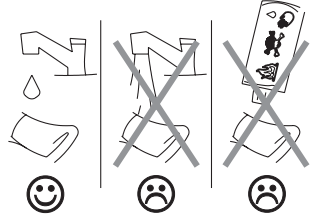
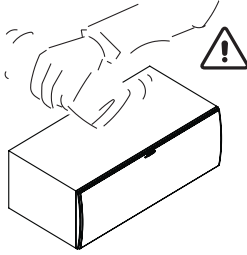
Type	S 606
System	3-Way Bass Reflex
Woofers (mm / in)	203 / 8
Midrange (mm / in)	2 x 127 / 5
Tweeter (mm / in)	25 / 1
Power (W, long / short term)	130 / 210
Sensitivity (dB/2.8V/1m)	89
Frequency Range (Hz)	42 - 20,000
Cross-over Frequency (Hz)	150 / 2,500
Impedance (Ohm)	6
Weight (Kg / lb)	23,5 / 51.8
Dimension HxWxD (mm / in)	1080 x 190 x 345 / 42.5 x 7.5 x 13.6

Type	S 604
System Type	2-Way Bass Reflex
Woofers (mm/in)	165 / 6½
Tweeter (mm/in)	25 / 1
Power (W, long/short term)	120 / 170
Sensitivity (dB, 2.8V/1m)	88
Frequency Range (Hz)	50 - 20,000
Impedance (Ohm)	6
Weight (kg/lb)	6 / 13.2
Dimension HxWxD (mm / in)	344 x 185 x 271 / 13.5 x 7.3 x 10.7

Type	S 600 SUR / S 602
System	2-Way Bass Reflex
Woofers (mm / in)	102 / 4
Tweeter (mm / in)	25 / 1
Power (W, long / short term)	80 / 130
Sensitivity (dB/2.8V/1m)	87
Frequency Range (Hz)	80 - 20,000
Cross-over Frequency (Hz)	2,500
Impedance (Ohm)	6
Weight (Kg / lb)	3 / 6.6
Dimension HxWxD (mm / in)	240 x 133 x 210 / 9.4 x 5.2 x 8.3

Type	S 600 CEN
System	2-Way Bass Reflex
Woofers (mm / in)	2 x 102 / 4
Tweeter (mm / in)	25 / 1
Power (W, long / short term)	80 / 130
Sensitivity (dB/2.8V/1m)	87
Frequency Range (Hz)	75 - 20,000
Cross-over Frequency (Hz)	2,500
Impedance (Ohm)	6
Weight (Kg / lb)	5,2 / 11.4
Dimension HxWxD (mm / in)	133 x 400 x 210 / 5.2 x 15.7 x 8.3

5



EU DECLARATION OF CONFORMITY

We Klipsch Group, Inc.
Of 3502 Woodview Trace, Suite 200
Indianapolis, IN 46268 USA

Declare that

Equipment: Passive Home Theater Speakers
Model Name: Jamo S 608, S 606, S 604, S 602, S 600 CEN, S 600 SUR

In accordance with the following Directives:

2004/108/EC The Electromagnetic Compatibility Directive
and its amending Directives

has been designed and manufactured to comply with the following specifications:

EN55013: 2001 Sound and television broadcast receivers and associated equipment – Radio
disturbance characteristics – Limits and methods of measurements
EN55020: 2002 Sound and television broadcast receivers and associated equipment –Immunity
Characteristics – Limits and methods of measurements

I hereby declare that the equipment named above has been designed to comply with the relative sections
of the above reference specifications. The unit complies with all essential requirements of the Directives.

Signature: Kerry Geist

Name: Kerry Geist

Position: Vice President of Engineering

Klipsch Group, Inc.
3502 Woodview Trace, Suite 200
Done At: Indianapolis, IN 46268 USA

Revised: 6/21/11

The image shows the CE mark, which consists of the letters 'C' and 'E' in a stylized font, followed by the number '06'. This indicates that the product complies with the CE marking requirements for electromagnetic compatibility (EMC) under the 2004/108/EC directive.

KLIPSCH GROUP, INC.
3502 WOODVIEW TRACE, SUITE 200
INDIANAPOLIS, IN 46268 USA

KLIPSCH GROUP EUROPE, B.V.
INDUSTRIESTRAAT 1
7041 GD 's-HEERENBERG, NETHERLANDS