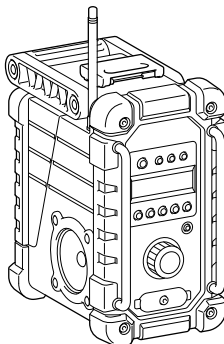
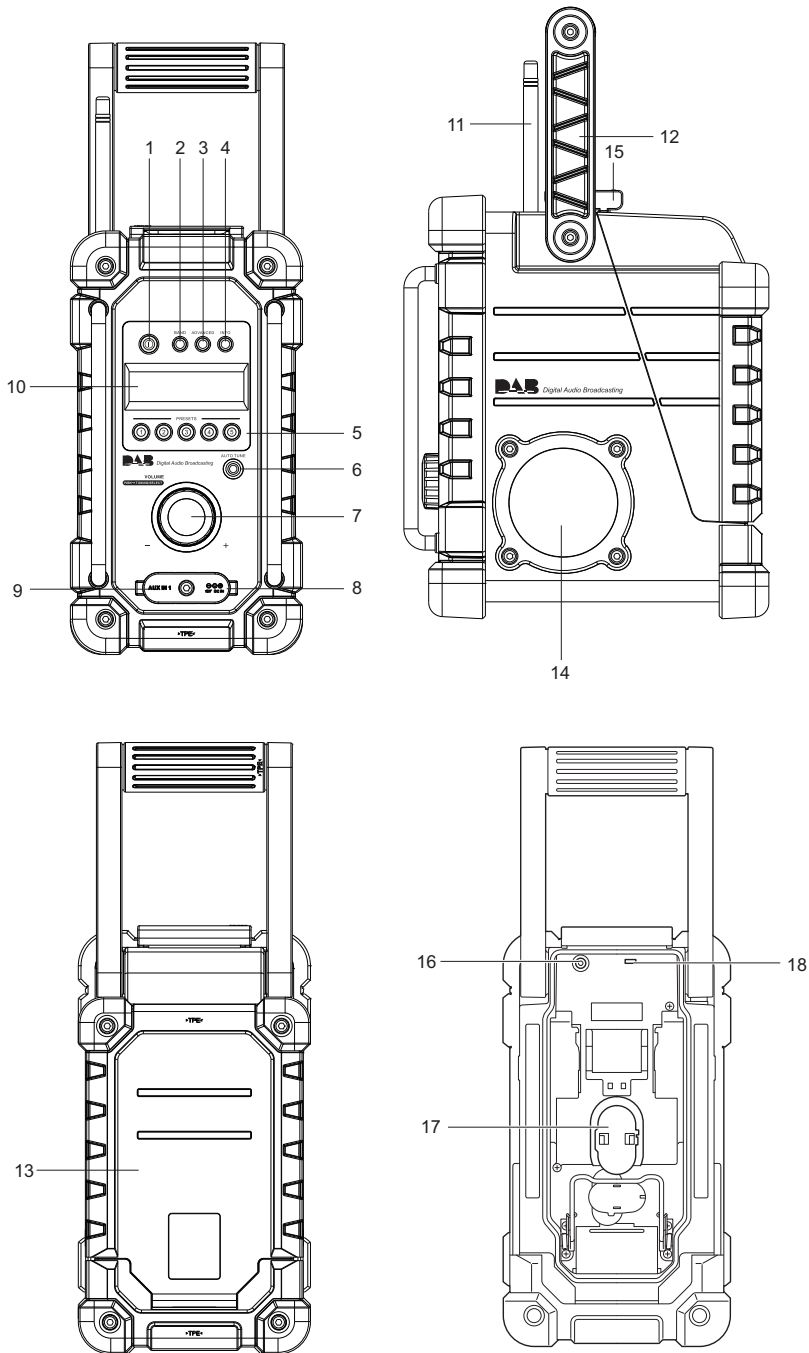


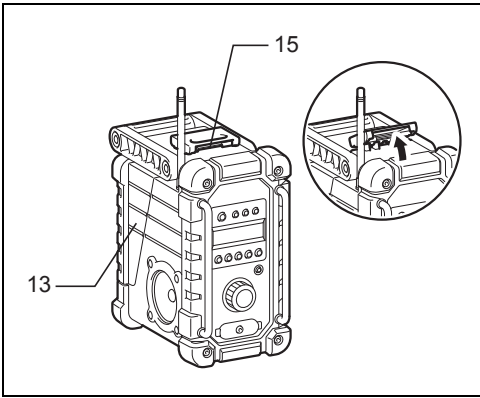


GB	Job Site DAB Radio/ Job Site DAB • DAB+ Radio	Instruction manual
F	Radio De Chantier DAB/ Radio De Chantier DAB • DAB+	Manuel d'instructions
D	Baustellenradio DAB/ Baustellenradio DAB+	Betriebsanleitung
I	Radio DAB per luoghi di lavoro/ Radio DAB • DAB+ per luoghi di lavoro	Istruzioni per l'uso
NL	DAB-bouwradio/ DAB • DAB+-bouwradio	Gebruiksaanwijzing
E	Radio de Trabajo DAB/ Radio de Trabajo DAB-DAB+	Manual de instrucciones
P	Rádio Digital a Bateria/ Rádio Digital Plus a Bateria	Manual de instruções
DK	Byggeplads DAB radio/ Byggeplads DAB • DAB+ radio	Brugsanvisning
GR	Ραδιόφωνο εργοταξίου DAB/ Ραδιόφωνο εργοταξίου DAB • DAB+	Οδηγίες χρήσης
S	Arbetsplats DAB Radio/ Arbetsplats DAB • DAB+ Radio	Bruksanvisning
N	DAB-radio for arbeidssted/ DAB • DAB+-radio for arbeidssted	Bruksanvisning
FIN	DAB-työmaaradio/ DAB • DAB+ -työmaaradio	Käyttöohje
RUS	DAB Радио Для Строительных Площадок/ DAB/DAB+ Радио Для Строительных Площадок	Инструкция по эксплуатации
PL	Odbiornik Radiowy DAB/ Odbiornik Radiowy DAB	Instrukcja obsługi

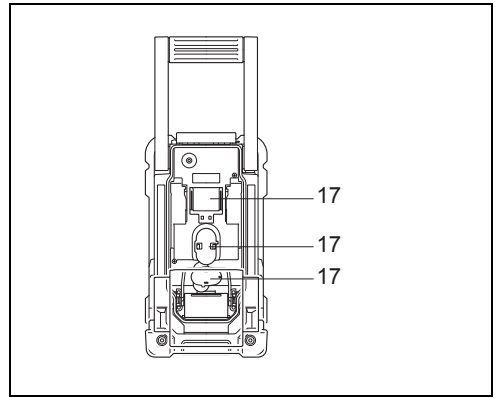
DMR104
DMR105



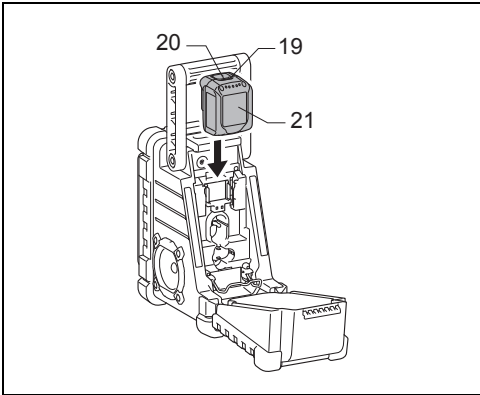




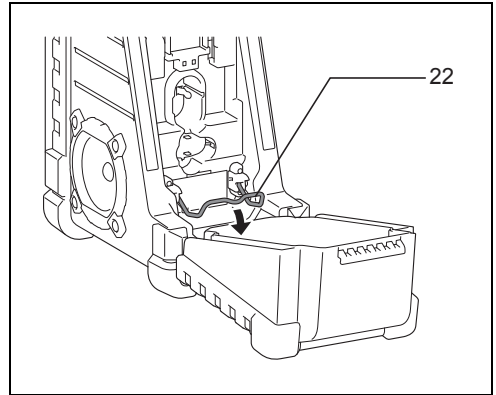
2



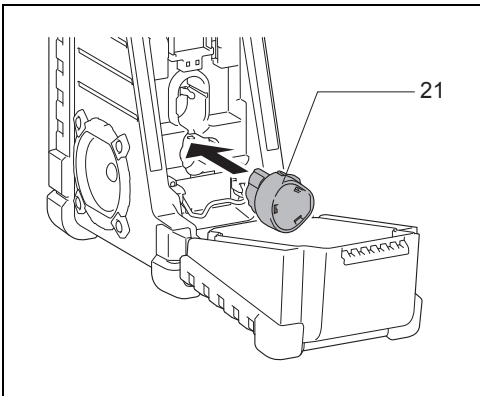
3



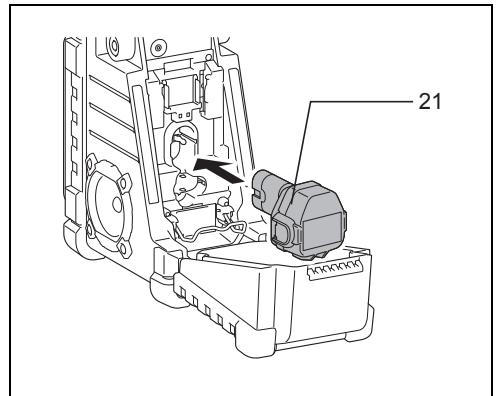
4



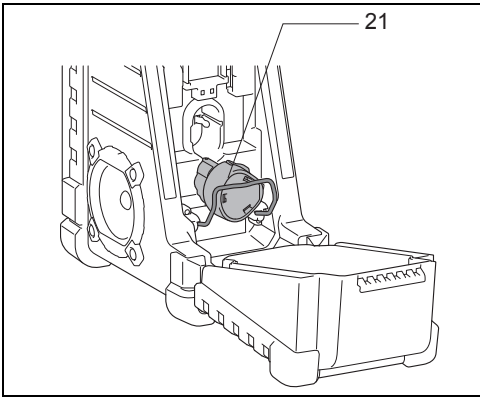
5



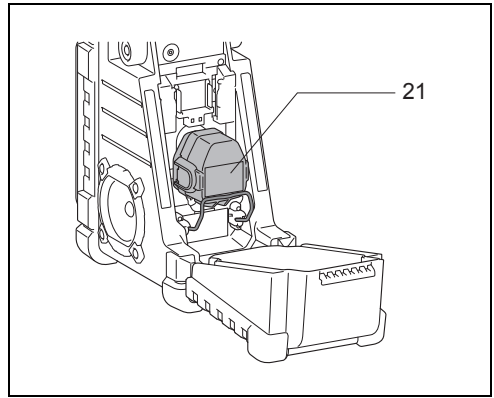
6



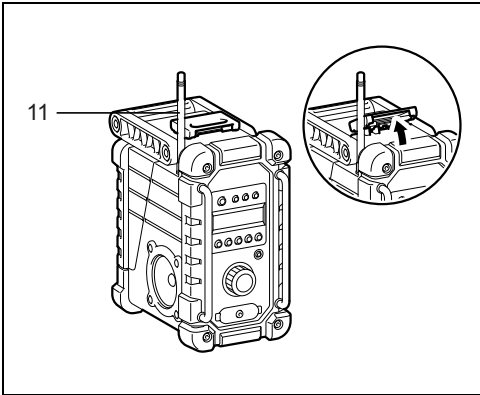
7



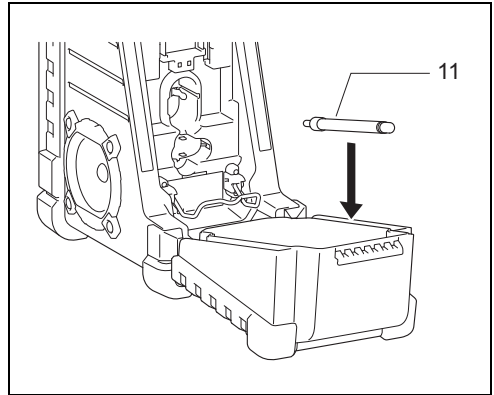
8



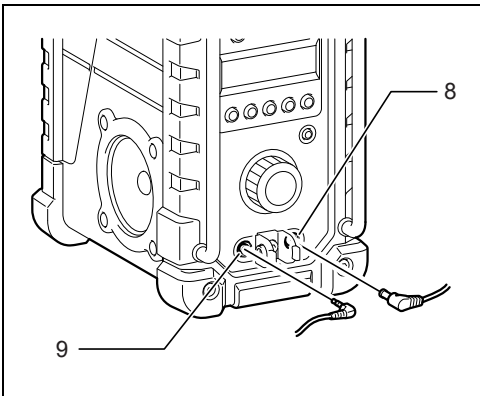
9



10



11



12

ENGLISH (Original instructions)

Symbols

The following show the symbols used for the equipment. Be sure that you understand their meaning before use.



Read instruction manual.



Cd
Ni-MH
Li-ion

Only for EU countries
Do not dispose of electric equipment or battery pack together with household waste material!

In observance of European Directive 2002/96/EC on waste electric and electronic equipment, 2006/66/EC on batteries and accumulators and waste batteries and accumulators and their implementation in accordance with national laws, electric equipment and battery pack that have reached the end of their life must be collected separately and returned to an environmentally compatible recycling facility.

IMPORTANT SAFETY INSTRUCTIONS

WARNING:

When using electric tools, basic safety precautions should always be followed to reduce the risk of fire, electric shock, and personal injury, including the following:

1. Read this instruction manual and the charger instruction manual carefully before use.
2. Clean only with dry cloth.
3. Do not install near any heat sources such as radiators, heat registers, stoves, or other apparatus (including amplifiers) that produce heat.
4. Only use attachments/accessories specified by the manufacturer.
5. Unplug this apparatus during lightning storms or when unused for long periods of time.
6. A battery operated radio with integral batteries or a separate battery pack must be recharged only with the specified charger for the battery. A charger that may be suitable for one type of battery may create a risk of fire when used with another battery.
7. Use battery operated radio only with specifically designated battery packs. Use of any other batteries may create a risk of fire.
8. When battery pack is not in use, keep it away from other metal objects like: paper clips, coins, keys, nails, screws, or other small metal objects that can make a connection from one terminal to another. Shorting the battery terminals together may cause sparks, burns, or a fire.
9. Avoid body contact with grounded surfaces such as pipes, radiators, ranges and refrigerators. There is an increased risk of electric shock if your body is grounded.
10. Under abusive conditions, liquid may be ejected from the battery; avoid contact. If contact accidentally occurs, flush with water. If liquid contacts eyes,

additionally seek medical help. Liquid ejected from the battery may cause irritation or burns.

11. The MAINS plug is used as the disconnect device, and it shall remain readily operable.

SAVE THESE INSTRUCTIONS

IMPORTANT SAFETY INSTRUCTIONS

FOR BATTERY CARTRIDGE

1. Before using battery cartridge, read all instructions and cautionary markings on (1) battery charger, (2) battery, and (3) product using battery.
2. Do not disassemble battery cartridge.
3. If operating time has become excessively shorter, stop operating immediately. It may result in a risk of overheating, possible burns and even an explosion.
4. If electrolyte gets into your eyes, rinse them out with clear water and seek medical attention right away. It may result in loss of your eyesight.
5. Do not short the battery cartridge:
 - (1) Do not touch the terminals with any conductive material.
 - (2) Avoid storing battery cartridge in a container with other metal objects such as nails, coins, etc.
 - (3) Do not expose battery cartridge to water or rain. A battery short can cause a large current flow, overheating, possible burns and even a breakdown.
6. Do not store the tool and battery cartridge in locations where the temperature may reach or exceed 50°C (122°F).
7. Do not incinerate the battery cartridge even if it is severely damaged or is completely worn out. The battery cartridge can explode in a fire.
8. Be careful not to drop or strike battery.
9. Do not use a damaged battery.

Features:

- FM/DAB or DAB+
- Large LCD display with illumination
- Manual/Preset/Scan tuning
- Rotary tuning and volume control
- 5 preset stations for each band
- Micro USB port for software upgrade
- Stereo speaker for rich sound performance
- Ultra rugged design
- Water resistant to IPX 4
- Powered by both Makita battery pack and supplied power adaptor

Explanation of general view

Controls

1. Power button
2. Band button
3. Advanced setting button
4. Info button
5. Preset button
6. Auto tune button

7. Volume/Tuning Control/Select knob
8. DC IN socket
9. AUX IN 1
10. LCD display
11. Soft bended rod antenna
12. Handle
13. Battery compartment (covering main battery pack)
14. Speaker
15. Battery compartment locker
16. Input terminal (AUX IN 2)
17. Main battery compartment
18. Micro USB port for software upgrade
19. Red indicator
20. Button
21. Battery cartridge
22. Supporting bar

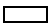
Battery Installation

Note:

1. Pull out the battery compartment locker to release battery compartment. (Fig. 2)
2. Insert the main battery pack to power radio. The suitable battery packs for this radio listed as the following table.

The following tables indicate the operating time on a single charge.

Battery Cartridge Voltage						AT SPEAKER OUTPUT = 50mW + 50mW unit: Hour
7.2 V	9.6 V	10.8 V	12 V	14.4 V	18 V	
BL7010						Approx 4.5
	PA09		PA12	PA14	PA18	Approx. 6.5
	9050		1250	1450	1850	
	9051		1251	1452	1852	
	9100		1200	1420	BL1815	
	9120	BL1013	1220	BL1415		
	9100A		1200A			
					BL1815N	Approx. 9.0
	9102		1202	1422	1822	Approx. 10.0
	9122		1222	BH1420		
	9102A		1202A			
	BH9020		BH1220			
	BH9020A		BH1220C			
	9134		1234	1434	1834	Approx. 14.5
				BH1427		Approx. 15.0
	9135		1235	1435	1835	Approx. 17.0
				1435F	BL1830	
			1235F	BL1430		
	BH9033		BH1233	BH1433		Approx. 18.0
	BH9033A		BH1233C			
				BL1440	BL1840	Approx. 24.0

: Cluster battery

: Slide battery

⚠ WARNING:
Do not use two main batteries at the same time.

3-1. Installing or removing Slide battery cartridge (Fig. 4)

- To install the battery cartridge, align the tongue on the battery cartridge with the groove in the housing and slip it into place. Always insert it all the way until it locks in place with a little click.

- If you can see the red indicator on the upper side of the button, it is not locked completely. Install it fully until the red indicator cannot be seen. If not, it may accidentally fall out of the tool, causing injury to you or someone around you.
- Do not use force when installing the battery cartridge. If the cartridge does not slide in easily, it is not being inserted correctly.

- To remove the battery cartridge, slide it from the tool while sliding the button on the front of the cartridge or pressing the buttons on both sides of the cartridge.

⚠ WARNING:
Do not use two main batteries at the same time.

3-2. Installing or removing Cluster battery cartridge (Fig. 5-9)

- Pull the supporting bar to allow the battery to insert to the terminal.
 - To insert the battery cartridge, align the tongue on the battery cartridge with the groove in the housing and slip it into place.
 - Release the supporting bar.
 - To remove the battery cartridge, pull the supporting bar and take the battery out of the terminal.
4. Return the battery compartment locker to the original position.
 5. Reduced power, distortion and a “stuttering sound” are the signs that the main battery pack needs to be replaced.

Note:

The battery pack can't be charged via the supplied AC power adaptor.

Installing the soft bended rod antenna (Fig. 10-11)

Install the soft bended rod antenna as shown in the figure.

Note:

There is a click in the battery compartment designed to store the removed antenna.

Using supplied AC power adaptor (Fig. 12)

Remove the rubber protector and insert the adaptor plug into the DC socket on the front side of the radio. Plug the adaptor into a standard mains socket outlet. Whenever the adaptor is used, the battery pack is automatically disconnected. The AC adaptor should be disconnected from the main supply when not in use.

Operating the radio

This radio has three tuning methods- Scan tuning, Manual tuning and Memory presets recall.

Selecting a station – DAB

1. Press the Power button to switch on your radio.
2. Select the DAB mode by pressing the Band button.
3. Press the Advanced setting button and rotate the Volume/Tuning Control/Select knob until “Station List” is flashing on the screen. Press the Volume/Tuning Control/Select knob to enter the list of the stations.
4. Rotate the Volume/Tuning Control/Select knob to scroll through the list of available stations. Press the knob to select the station.
5. Adjust the desired volume by rotating the Volume/Tuning Control/Select knob.

Display modes – DAB

Your radio has a range of display options in the DAB mode:

Press the Info button to cycle through the various options shown in the following letters (a. to g.).

- | | | |
|----|-----------------------|------------------------------------------------------------------------------------------|
| a. | Station name | Indicates the station name being listened to. |
| b. | Program type | Indicates the type of station being listened to. E.g. Pop, Classics, News, etc. |
| c. | Multiplex name | Indicates the name of the DAB multiplex to which the current station belongs. |
| d. | Time & date | Indicates the current time and date. |
| e. | Frequency and channel | Indicates the frequency and channel number for the currently tuned DAB station. |
| f. | Bit rate/Audio type | Indicates the digital audio bit rate and audio type for the currently tuned DAB station. |
| g. | Signal strength | Indicates the signal strength for the currently tuned DAB station. |

Finding new stations – DAB

From time to time, new DAB radio stations may become available. Or you may have moved to a different part of the country. In this case you may need to activate your radio to scan for new stations.

To allow the radio to find the available stations, it is recommended to carry out a full scan of the entire DAB Band III frequencies.

1. Press the Auto tune button.
2. Your radio will perform a full scan of the DAB frequencies. As new stations are found, the station counter on the left side in the display will increase and stations will be added to the list.

Manual tuning – DAB

Manual tuning allows you to tune your radio to a particular DAB frequency in Band III. This function can also be used to assist the positioning of the antenna or the radio so as to optimize reception for a specific channel or frequency.

1. Press the Advanced setting button and rotate the Volume/Tuning Control/Select knob until “Manual Tune” shown on the display. Press the Volume/Tuning Control/Select knob to enter the manual tuning mode.
2. Rotate the Volume/Tuning Control/Select knob to select the desired DAB channel. Press Volume/Tuning Control/Select knob to confirm the chosen frequency.

Dynamic Range Control (DRC) – DAB

DRC feature can make quieter sounds easier to hear when your radio is used in a noisy environment by reducing the dynamic range of the audio signal.

There are three levels of compression:

- | | |
|---------|-----------------------------|
| DRC 0 | No compression applied. |
| DRC 1/2 | Medium compression applied. |

DRC 1 Maximum compression applied.

1. Press the Power button to switch on your radio.
2. Press the Band button to select the DAB band.
3. Press the Advanced setting button and rotate the Volume/Tuning Control/Select knob until "DRC Value" shown on the display. Then press the Volume/Tuning Control/Select knob to enter the setting. The display will show the current DRC value.
4. Rotate the Volume/Tuning Control/Select knob to select desired DRC setting.
5. Press the Volume/Tuning Control/Select knob to confirm the setting.

Station order setup – DAB

Your radio has 3 station order settings from which you can choose. The station order settings are alphanumeric, ensemble and valid station.

1. Press the Advanced setting button.
2. Rotate the Volume/Tuning Control/Select knob until "Station order" appearing on the display, then press the Volume/Tuning Control/Select knob to enter the setting.
3. Rotate the Volume/Tuning Control/Select knob to select the following options and press the knob to confirm the setting.

Alphanumeric Sorts the station list alpha-numerically 0...9 A...Z

Ensemble Organizes the station list by DAB multiplex

Valid Shows only those stations for which a signal can be found

Scan Tuning – FM

1. Press the Power button to turn on the radio.
2. Select the desired waveband by pressing the Band button. Make sure the soft bended rod antenna has been well placed for best FM reception. Try to avoid operating the radio next to a computer screen and other equipment which will cause interference to the radio.
3. Press the Auto tune button and the radio will search and stop automatically when it finds a radio station. The radio will continue searching for the next available station unless the operator presses the Auto tune button to stop the scanning.
4. Rotate the Volume/Tuning Control/Select knob to get the desired sound level. The LCD display will show sound level changes.

Note:

In order to use the Volume/Tuning Control/Select knob to find your desired station, press and hold the Volume/Tuning Control/Select knob to switch to the tuning control mode.

5. To turn off the radio, press the Power button.

FM scan zone

When using FM mode, your radio can be set to scan either local stations or to scan all stations including distant radio stations.

Manual Tuning – FM

1. Press the Power button to turn on the radio.
2. Press the Band button to select desired waveband. Adjust the antenna as described above.
3. Rotate the Volume/Tuning Control/Select knob will change the frequency in the following increment:
FM: 50 or 100 kHz

Note:

In order to use the Volume/Tuning Control/Select knob to find your desired station, press and hold the Volume/Tuning Control/Select knob to switch to the tuning control mode.

4. Keep rotating the Volume/Tuning Control/Select knob until desired frequency is shown on the display.
5. Rotate the Volume/Tuning Control/Select knob to get the desired sound level.
6. To turn off the radio, press the Power button.

Display modes – FM

Your radio has a range of display options for FM radio mode:

Repeat pressing the Info button to cycle through the different options.

- | | |
|--------------------|----------------------------------------------------------------------------------|
| a. Program station | Indicates the name of the station being listened to. |
| b. Radio text | Indicates text message such as new items, etc. |
| c. Program type | Indicates the type of station being listened to such as Pop, Classic, News, etc. |
| d. Time & date | Indicates the current time and date. |
| e. Frequency | Indicates the frequency of the FM signal. |

Storing stations in preset memories (DAB and FM)

There are 5 memory presets for each waveband.

1. Press the Power button to turn on the radio.
2. Tune to the desired station using one of the methods previously described.
3. Press and hold the desired Preset button until the preset number shown on the display, for example, "P2 Saved". The station is then stored in the selected Preset button.
4. Repeat this procedure for the remaining presets.
5. Stations stored in the preset memories can be overwritten by following the procedures described above.

Recall stations from the preset memories (DAB and FM)

1. Press the Power button to turn on the radio.

2. Press the Band button to select your desired waveband.
3. Press the desired Preset button momentarily. The preset number and station frequency will appear in the display.

Language options (only available in DMR105)

There are four language options available in the radio: English, German, Italian and French.

1. Press Advanced setting button.
2. Rotate the Volume/Tuning Control/Select knob until "Language" shown on the display. Press the Volume/Tuning Control/Select knob to enter the setting.
3. Rotate the Volume/Tuning Control/Select knob to choose your desired language. Press the Volume/Tuning Control/Select knob to confirm your setting.

Brightness control

The backlight of the display can be adjusted.

1. Press the Advanced setting button.
2. Rotate the Volume/Tuning Control/Select knob until "Backlight" shown on the display. Press the Volume/Tuning Control/Select knob to enter the setting.
3. Rotate the Volume/Tuning Control/Select knob to choose to enable or disable the backlight function, then press the Volume/Tuning Control/Select knob to confirm the setting.

System reset

If your radio fails to work correctly, or some digits on the display are missing or incomplete, carry out the following procedure.

1. Press the Advanced setting button.
2. Rotate the Volume/Tuning Control/Select knob until "Factory Reset" shown on the display. Press the Volume/Tuning Control/Select knob to enter the setting.
3. Rotate the Volume/Tuning Control/Select knob to choose "Yes". Press the Volume/Tuning Control/Select knob to confirm the setting and a full reset will be performed.

Software version

1. Press the Advanced setting button.
2. Rotate the Volume/Tuning Control/Select knob until "SW Version" shown on the display. Press the Volume/Tuning Control/Select knob to view the software version installed in the radio.

Micro USB port for software upgrade

Software updates for your radio may be available in the future.

As software updates become available software and information on how to update your radio can be found at

Makita website.

How to play other audios

CAUTION:

- Unplug this apparatus before connecting other audios.
- There are 2 AUX IN sockets. AUX IN 1 is located on the front panel, and AUX IN 2 is located in the battery compartment.
- Connect a stereo or mono source (i.e. iPod, MP3, or CD player) to either AUX IN 1 or AUX IN 2 by audio cord.
- Repeatedly press and release the Band button until "AU1" or "AU2" is displayed, then AUX function is activated.

MAINTENANCE

CAUTION:

- Never use gasoline, benzine, thinner, alcohol or the like. Discoloration, deformation or cracks may result.

Specifications:

Power requirements

AC power adaptor	DC12 V 1A, center pin positive
Battery	Cluster battery: 7.2 V - 18 V Slide battery: 9.6 V - 18 V
Frequency coverage	FM 87.50 - 108 MHz DAB/DAB+ 174.928 - 239.200 MHz
DAB/DAB+ Channel block	DAB (Band III) 5A-13F
Compatible standard	DAB (DMR104) DAB/DAB+ (DMR105)

Circuit feature

Loudspeaker	3 inches 8 ohm
Output power	7.2 V: 0.5 W x 2, 9.6 V: 1 W x 2 10.8 V: 1.2 W x 2, 12 V: 1.5 W x 2 14.4 V: 2.2 W x 2, 18 V: 3.5 W x 2
Input terminal	3.5 mm dia. (AUX IN1/AUX IN2)
Antenna system	DAB/FM: soft bended rod antenna
Dimension (W x H x D) in mm	280 x 302 x 163
Weight	4 kg (without battery)

FRANÇAIS (Instructions d'origine)

Symboles

Les symboles utilisés pour l'appareil sont indiqués ci-dessous. Assurez-vous d'avoir bien compris leur signification avant d'utiliser l'appareil.



Référez-vous au manuel d'instructions.



Cd
Ni-MH
Li-ion

Pour les pays européens uniquement
Ne pas jeter les appareils électriques et les batteries dans les ordures ménagères !
Conformément à la directive européenne 2002/96/CE relative aux déchets d'équipements électriques ou électroniques (DEEE) et à la directive 2006/66/CE relative aux batteries, aux accumulateurs ainsi qu'aux batteries et accumulateurs usagés et à leur transposition dans la législation nationale, les appareils électriques et les batteries doivent être collectés à part et être soumis à un recyclage respectueux de l'environnement.

CONSIGNES DE SÉCURITÉ IMPORTANTES

⚠ AVERTISSEMENT :

Lors de l'utilisation des outils électriques, vous devez toujours prendre des précautions élémentaires en matière de sécurité pour réduire les risques d'incendie, de choc électrique et de blessure. Ces précautions sont notamment les suivantes :

1. Avant d'utiliser l'appareil, lisez attentivement son manuel d'instructions et celui du chargeur.
2. Nettoyez avec un chiffon doux uniquement.
3. N'installez pas l'appareil près de sources de chaleur, telles que des radiateurs, des bouches de chaleur, des poêles ou d'autres dispositifs (notamment des amplificateurs) émetteurs de chaleur.
4. Utilisez uniquement des pièces complémentaires/accessoires spécifiés par le fabricant.
5. Débranchez cet appareil en cas d'orage ou lorsque vous ne l'utilisez pas pendant une période prolongée.
6. Les batteries utilisées pour les radios, qu'elles soient intégrées ou séparées, doivent être rechargées uniquement à l'aide du chargeur de batterie spécifié. Un chargeur qui convient à un type de batterie peut créer un risque d'incendie s'il est utilisé avec une autre batterie.
7. Les radios fonctionnant à l'aide de batteries doivent être utilisées uniquement avec les batteries désignées. L'utilisation d'autres batteries peut créer un risque d'incendie.
8. Lorsque vous n'utilisez pas le bloc-batterie, conservez-le à l'écart d'autres objets métalliques, tels que : des trombones, pièces de monnaie, clés, clous, vis ou autres petits objets métalliques susceptibles d'établir une connexion d'une borne à l'autre. Court-circuiter les bornes de la batterie peut provoquer des étincelles, des brûlures ou un incendie.

9. Évitez tout contact corporel avec les surfaces mises à la terre, telles que les tuyaux, radiateurs, cuisinières et réfrigérateurs. Le risque de choc électrique augmente si votre corps est mis à la terre.
10. En cas de mauvaise utilisation, du liquide peut fuir de la batterie ; évitez tout contact. En cas de contact accidentel, nettoyez la surface en question à l'eau. Si le liquide entre en contact avec les yeux, consultez un médecin. Le liquide émis par la batterie peut provoquer une irritation ou des brûlures.
11. La fiche secteur est utilisée comme dispositif de déconnexion et doit rester facilement accessible.

CONSERVEZ CES INSTRUCTIONS

CONSIGNES DE SÉCURITÉ IMPORTANTES

POUR LA BATTERIE

1. Avant d'utiliser la batterie, veuillez lire toutes les instructions et tous les avertissements inscrits sur (1) le chargeur, (2) la batterie et (3) l'appareil alimenté par la batterie.
2. Ne démontez pas la batterie.
3. Cessez immédiatement d'utiliser l'appareil si le temps de fonctionnement devient excessivement court. Il y a un risque de surchauffe, de brûlures, voire d'explosion.
4. Si l'électrolyte pénètre dans vos yeux, rincez-les à l'eau claire et consultez immédiatement un médecin. Il y a un risque de perte de la vue.
5. Ne court-circuitez pas la batterie :
 - (1) Ne touchez les bornes avec aucun matériau conducteur.
 - (2) Évitez de ranger la batterie dans un contenant où se trouvent d'autres objets métalliques tels que des clous, pièces de monnaie, etc.
 - (3) N'exposez pas la batterie à l'eau ou à la pluie. Un court-circuit de la batterie risque de provoquer un fort courant, une surchauffe, parfois des brûlures, voire une panne.
6. Ne rangez pas l'outil ou la batterie dans des endroits où la température risque d'atteindre ou de dépasser 50°C (122°F).
7. Ne jetez pas la batterie au feu même si elle est sérieusement endommagée ou complètement épuisée. La batterie peut exploser au contact du feu.
8. Veillez à ne pas laisser tomber ou heurter la batterie.
9. N'utilisez pas de batterie endommagée.

Caractéristiques :

- FM/DAB ou DAB+
- Grand écran LCD avec rétroéclairage
- Syntonisation manuelle/par balayage/présélection
- Syntonisation par rotation et commande de volume
- 5 stations présélectionnées pour chaque bande
- Port micro-USB pour mise à jour de logiciel
- Haut-parleur stéréo pour des performances audio optimales
- Conception très robuste
- Étanche jusqu'à IPX 4

- Alimenté par un bloc-batterie Makita et un adaptateur secteur fourni

Descriptif

Commandes

1. Bouton d'alimentation
2. Bouton BAND
3. Bouton Paramètres avancés
4. Bouton Info
5. Bouton Présélections
6. Bouton Auto Tune
7. Bouton de sélection/commande de syntonisation/volume
8. Prise d'entrée secteur
9. Entrée 1 AUX
10. Écran LCD
11. Antenne tige souple courbée
12. Poignée
13. Compartiment des batteries (qui couvre le bloc-batterie principal)

14. Haut-parleur
15. Casier du compartiment des batteries
16. Borne d'entrée (AUX IN 2)
17. Compartiment principal de la batterie
18. Port micro-USB pour mise à jour de logiciel
19. Indicateur rouge
20. Bouton
21. Batterie
22. Barre de soutien

Installation de la batterie


Remarque :

1. Tirez sur le casier du compartiment des batteries pour dégager le compartiment des batteries. (Fig. 2)
2. Insérez le bloc-batterie principal pour alimenter la radio. Les blocs-batterie adaptés à cette radio sont répertoriés dans le tableau suivant.

Les tableaux suivants indiquent le temps de fonctionnement avec une charge unique.

Tension de la batterie						AU NIVEAU DE LA SORTIE DU HAUT-PARLEUR = 50 mW + 50 mW unité : heure
7,2 V	9,6 V	10,8 V	12 V	14,4 V	18 V	
BL7010						4,5 environ
	PA09		PA12	PA14	PA18	6,5 environ
	9050		1250	1450	1850	
	9051		1251	1452	1852	
	9100		1200	1420	BL1815	
	9120	BL1013	1220	BL1415		
	9100A		1200A			
					BL1815N	9,0 environ
	9102		1202	1422	1822	10,0 environ
	9122		1222	BH1420		
	9102A		1202A			
	BH9020		BH1220			
	BH9020A		BH1220C			
	9134		1234	1434	1834	14,5 environ
				BH1427		15,0 environ
	9135		1235	1435	1835	17,0 environ
				1435F	BL1830	
			1235F	BL1430		
	BH9033		BH1233	BH1433		18,0 environ
	BH9033A		BH1233C			
				BL1440	BL1840	24,0 environ

 : Batterie à faisceau

 : Batterie coulissante

⚠ AVERTISSEMENT :
Ne pas utiliser deux batteries principales à la fois.

3-1. Installation ou retrait de la batterie coulissante (Fig. 4)

- Pour installer la batterie, alignez sa languette sur la rainure qui se trouve à l'intérieur du carter, puis glissez

la batterie pour la mettre en place. Insérez-la toujours bien à fond, jusqu'à ce qu'elle se verrouille en émettant un léger clic.

- Si vous pouvez voir l'indicateur rouge sur la face supérieure du bouton, la batterie n'est pas parfaitement verrouillée. Installez-la à fond, jusqu'à ce que l'indicateur rouge ne soit plus visible. Sinon, elle risque de tomber accidentellement de l'outil, en vous blessant ou en blessant une personne située près de vous.
- N'appliquez pas une force excessive lors de l'installation de la batterie. Si la batterie ne glisse pas aisément, c'est qu'elle n'est pas insérée correctement.
- Pour retirer la batterie, faites glisser le bouton à l'avant de la batterie et sortez la batterie. Vous pouvez également appuyer sur les boutons situés de chaque côté de la batterie.

AVERTISSEMENT :

Ne pas utiliser deux batteries principales à la fois.

3-2. Installation ou retrait de la batterie à faisceau (Fig. 5-9)

- Tirez sur la barre de soutien pour pouvoir insérer la batterie dans la borne.
 - Pour insérer la batterie, alignez sa languette sur la rainure qui se trouve à l'intérieur du carter, puis glissez la batterie pour la mettre en place.
 - Dégagez la barre de soutien.
 - Pour retirer la batterie, tirez sur la barre de soutien et dégagez la batterie de la borne.
- 4.** Remettez le casier du compartiment des batteries en position d'origine.
- 5.** Alimentation réduite, déformation et « son saccadé » sont des signes qui indiquent que le bloc-batterie principal doit être remplacé.

Remarque :

Le bloc-batterie ne peut pas être rechargé à l'aide de l'adaptateur secteur fourni.

Installation de l'antenne tige souple courbée (Fig. 10-11)

Installez l'antenne tige souple courbée comme illustré sur la figure.

Remarque :

Le compartiment des batteries comporte un déclic destiné à ranger l'antenne qui a été déposée.

Utilisation de l'adaptateur secteur fourni (Fig. 12)

Retirez le capuchon en caoutchouc et insérez la fiche de l'adaptateur dans la prise secteur sur la façade de la radio. Branchez l'adaptateur dans une prise de courant standard. En cas d'utilisation de l'adaptateur, le bloc-batterie est automatiquement déconnecté. Débranchez l'adaptateur secteur de l'alimentation lorsque vous ne l'utilisez pas.

Fonctionnement de la radio

Cette radio dispose de trois méthodes de syntonisation : la syntonisation par balayage, la syntonisation manuelle et le rappel des présélections en mémoire.

Sélection d'une station – DAB

- 1.** Appuyez sur le bouton d'alimentation pour allumer votre radio.
- 2.** Appuyez sur le bouton BAND pour sélectionner le mode DAB.
- 3.** Appuyez sur le bouton Paramètres avancés et tournez le bouton de sélection/commande de syntonisation/volume jusqu'à ce que « Liste de stations » clignote sur l'écran. Appuyez sur le bouton de sélection/commande de syntonisation/volume pour afficher la liste des stations.
- 4.** Tournez le bouton de sélection/commande de syntonisation/volume pour faire défiler la liste des stations disponibles. Appuyez sur ce bouton pour sélectionner la station.
- 5.** Réglez le volume souhaité en faisant tourner le bouton de sélection/commande de syntonisation/volume.

Modes d'affichages – DAB

Votre radio possède plusieurs options d'affichage pour le mode DAB :

Appuyez sur le bouton Info pour parcourir les différentes options indiquées dans les points suivants (a. à g.).

- | | |
|-------------------------------|-------------------------------------------------------------------------------------------------------------|
| a. Nom de la station | Indique le nom de la station écoutée. |
| b. Type de programme | Indique le type de station écoutée. Par exemple Pop, Classique, Informations, etc. |
| c. Nom du multiplex | Indique le nom du multiplex DAB auquel appartient la station actuelle. |
| d. Heure et date | Indique l'heure et la date actuelles. |
| e. Fréquence et canal | Indique la fréquence et le numéro de canal de la station DAB actuellement syntonisée. |
| f. Débit binaire/Format audio | Indique le débit binaire de l'audio numérique et le format audio de la station DAB actuellement syntonisée. |
| g. Force du signal | Indique la force du signal de la station DAB actuellement syntonisée. |

Trouver de nouvelles stations – DAB

Il arrive que de nouvelles stations radio DAB soient disponibles. Ou vous vous êtes peut-être déplacé dans une autre partie du pays. Dans ce cas, vous devez activer votre radio pour balayer et trouver de nouvelles stations. Pour permettre à la radio de trouver les stations disponibles, il est recommandé d'effectuer un balayage complet de toutes les fréquences DAB Bande III.

1. Appuyez sur le bouton Auto Tune.
2. Votre radio effectuera un balayage complet des fréquences DAB. À mesure que de nouvelles stations sont trouvées, le compteur de stations, situé à gauche de l'affichage, augmentera et des stations s'ajouteront à la liste.

Syntonisation manuelle – DAB

La syntonisation manuelle vous permet de syntoniser votre radio sur une fréquence DAB particulière en Bande III. Cette fonction peut également être utilisée pour faciliter le positionnement de l'antenne ou la radio afin d'optimiser la réception d'un canal ou d'une fréquence spécifique.

1. Appuyez sur le bouton Paramètres avancés et tournez le bouton de sélection/commande de syntonisation/volume jusqu'à ce que « Syntonisation manuelle » s'affiche sur l'écran. Appuyez sur le bouton de sélection/commande de syntonisation/volume pour sélectionner le mode de syntonisation manuelle.
2. Tournez le bouton de sélection/commande de syntonisation/volume pour sélectionner le canal DAB souhaité. Appuyez sur le bouton de sélection/commande de syntonisation/volume pour confirmer la fréquence choisie.

Contrôle de la gamme dynamique (DRC) – DAB

La fonction DRC peut vous aider à mieux entendre les sons faibles lorsque vous utilisez la radio dans un environnement bruyant, en réduisant la gamme dynamique du signal audio.

Il y a trois niveaux de compression :

- DRC 0 Aucune compression appliquée.
- DRC 1/2 Compression moyenne appliquée.
- DRC 1 Compression maximale appliquée.

1. Appuyez sur le bouton d'alimentation pour allumer votre radio.
2. Appuyez sur le bouton BAND pour sélectionner la bande DAB.
3. Appuyez sur le bouton Paramètres avancés et tournez le bouton de sélection/commande de syntonisation/volume jusqu'à ce que « Valeur DRC » s'affiche sur l'écran. Puis, appuyez sur le bouton de sélection/commande de syntonisation/volume pour sélectionner le paramètre. L'écran affichera la valeur DRC actuelle.
4. Tournez le bouton de sélection/commande de syntonisation/volume pour sélectionner le paramètre DRC souhaité.
5. Appuyez sur le bouton de sélection/commande de syntonisation/volume pour confirmer le paramètre.

Création de l'ordre des stations – DAB

Votre radio dispose de 3 réglages d'ordre de stations que vous pouvez choisir. Les réglages d'ordre de stations ont le réglage alphanumérique, d'ensemble et de station valide.

1. Appuyez sur le bouton Paramètres avancés.
2. Tournez le bouton de sélection/commande de syntonisation/volume jusqu'à ce que « Ordre de stations » apparaisse sur l'affichage, puis appuyez sur ce bouton pour sélectionner le paramètre.
3. Tournez le bouton de sélection/commande de syntonisation/volume pour sélectionner les options suivantes, puis appuyez sur ce bouton pour confirmer le paramètre.

Alphanumérique	Trie la liste de stations de manière alphanumérique 0...9 A...Z
Ensemble	Organise la liste de stations par multiplex DAB
Valide	Ne montre que les stations pour lesquelles un signal peut être trouvé

Syntonisation par balayage – FM

1. Appuyez sur le bouton d'alimentation pour allumer la radio.
2. Appuyez sur le bouton BAND pour sélectionner la gamme d'ondes souhaitée. Assurez-vous que l'antenne tige souple courbée est correctement placée pour optimiser la réception FM. Évitez de faire fonctionner la radio près de l'écran d'un ordinateur ou d'un autre appareil susceptible de provoquer des interférences avec la radio.
3. Appuyez sur le bouton Auto Tune et la radio cherchera et arrêtera automatiquement lorsqu'elle aura trouvé une station radio. La radio continuera de chercher la prochaine station disponible, sauf si l'opérateur appuie sur le bouton Auto Tune pour arrêter le balayage.
4. Tournez le bouton de sélection/commande de syntonisation/volume pour obtenir le niveau audio souhaité. Sur l'écran LCD sont affichés les changements de niveau audio.

Remarque :

Afin d'utiliser le bouton de sélection/commande de syntonisation/volume pour trouver votre station souhaitée, maintenez enfoncé ce bouton pour passer en mode de commande de syntonisation.

5. Pour éteindre la radio, appuyez sur le bouton d'alimentation.

Zone de balayage FM

Lorsque vous utilisez le mode FM, vous pouvez régler votre radio pour qu'elle balaie les stations locales ou pour qu'elle balaie toutes les stations, y compris les stations radio éloignées.

Syntonisation manuelle – FM

1. Appuyez sur le bouton d'alimentation pour allumer la radio.
2. Appuyez sur le bouton BAND pour sélectionner la gamme d'ondes souhaitée. Réglez l'antenne comme décrit ci-dessus.

3. Tournez le bouton de sélection/commande de syntonisation/volume pour modifier la fréquence selon les incréments suivants :

FM : 50 ou 100 kHz

Remarque :

Afin d'utiliser le bouton de sélection/commande de syntonisation/volume pour trouver votre station souhaitée, maintenez enfoncé ce bouton pour passer en mode de commande de syntonisation.

4. Continuez de tourner le bouton de sélection/commande de syntonisation/volume jusqu'à ce que vous obteniez la fréquence souhaitée à l'écran.
5. Tournez le bouton de sélection/commande de syntonisation/volume pour obtenir le niveau audio souhaité.
6. Pour éteindre la radio, appuyez sur le bouton d'alimentation.

Modes d'affichage – FM

Votre radio possède plusieurs options d'affichage pour le mode radio FM :

Répétez en appuyant sur le bouton Info pour parcourir les différentes options.

- | | |
|-------------------------|------------------------------------------------------------------------------------|
| a. Station de programme | Indique le nom de la station écoutée. |
| b. Texte radio | Indique le message textuel, tel que de nouveaux éléments, etc. |
| c. Type de programme | Indique le type de station écoutée, par exemple Pop, Classique, Informations, etc. |
| d. Heure et date | Indique l'heure et la date actuelles. |
| e. Fréquence | Indique la fréquence du signal FM. |

Enregistrement des stations dans des mémoires présélectionnées (DAB et FM)

Il existe 5 présélections mémorisées pour chaque gamme d'ondes.

1. Appuyez sur le bouton d'alimentation pour allumer la radio.
2. Syntonisez la radio jusqu'à la station souhaitée selon l'une des méthodes décrites précédemment.
3. Maintenez enfoncé le bouton Présélection souhaité jusqu'à ce que le numéro présélectionné s'affiche sur l'écran, par exemple, « P2 sauvegardé ». La station est alors enregistrée dans le bouton Présélection sélectionné.
4. Répétez cette procédure pour les présélections restantes.
5. Pour remplacer les stations enregistrées dans les mémoires présélectionnées, procédez comme indiqué précédemment.

Rappel des stations des mémoires présélectionnées (DAB et FM)

1. Appuyez sur le bouton d'alimentation pour allumer la radio.
2. Appuyez sur le bouton BAND pour sélectionner votre gamme d'ondes souhaitée.
3. Appuyez temporairement sur le bouton Présélection souhaité, le numéro et la fréquence de la station présélectionnés apparaissent sur l'écran.

Langues (uniquement disponible pour DMR105)

Il y a quatre langues disponibles dans la radio : anglais, allemand, italien et français.

1. Appuyez sur le bouton Paramètres avancés.
2. Tournez le bouton de sélection/commande de syntonisation/volume jusqu'à ce que « Langue » apparaisse sur l'écran. Appuyez sur le bouton de sélection/commande de syntonisation/volume pour sélectionner le paramètre.
3. Tournez le bouton de sélection/commande de syntonisation/volume pour sélectionner votre langue. Appuyez sur le bouton de sélection/commande de syntonisation/volume pour confirmer votre paramètre.

Réglage de la luminosité

Vous pouvez régler le rétroéclairage de l'affichage.

1. Appuyez sur le bouton Paramètres avancés.
2. Tournez le bouton de sélection/commande de syntonisation/volume jusqu'à ce que « Rétroéclairage » apparaisse sur l'écran. Appuyez sur le bouton de sélection/commande de syntonisation/volume pour sélectionner le paramètre.
3. Tournez le bouton de sélection/commande de syntonisation/volume pour choisir d'activer ou de désactiver la fonction rétroéclairage, puis appuyez sur ce bouton pour confirmer le paramètre.

Réinitialisation du système

Si votre radio ne fonctionne pas correctement ou si certains chiffres affichés sont manquants ou incomplets, procédez comme suit.

1. Appuyez sur le bouton Paramètres avancés.
2. Tournez le bouton de sélection/commande de syntonisation/volume jusqu'à ce que « Réinitialisation » apparaisse sur l'écran. Appuyez sur le bouton de sélection/commande de syntonisation/volume pour sélectionner le paramètre.
3. Tournez le bouton de sélection/commande de syntonisation/volume pour sélectionner « Oui ». Appuyez sur le bouton de sélection/commande de syntonisation/volume pour confirmer le paramètre et une réinitialisation complète sera effectuée.

Version du logiciel

1. Appuyez sur le bouton Paramètres avancés.
2. Tournez le bouton de sélection/commande de syntonisation/volume jusqu'à ce que « Version logiciel » apparaisse sur l'écran. Appuyez sur le bouton de sélection/commande de syntonisation/volume pour afficher la version du logiciel installé sur la radio.

Système d'antenne	DAB/FM : antenne tige souple courbée
Dimensions (L x H x P) en mm	280 x 302 x 163
Poids	4 kg (sans la batterie)

Port micro-USB pour mise à jour de logiciel

Les mises à jour de logiciel pour votre radio peuvent être disponibles à l'avenir.

Puisque des mises à jour de logiciel sont disponibles, vous pouvez trouver le logiciel et des informations sur la manière de mettre à jour votre radio sur le **site internet de Makita**.

Comment lire d'autres appareils audio

ATTENTION :

Débranchez cet appareil avant d'y raccorder d'autres appareils audio.

- Il y a 2 prises d'entrée AUX IN. La prise AUX IN 1 se trouve sur le panneau avant, et la prise AUX IN 2 dans le compartiment à batteries.
- Raccordez une source stéréo ou mono (par exemple, un lecteur iPod, MP3 ou CD) à la prise AUX IN 1 ou AUX IN 2 à l'aide d'un cordon audio.
- Enfoncez et relâchez plusieurs fois le bouton BAND jusqu'à ce que « AU1 » ou « AU2 » s'affiche pour activer la fonction AUX.

ENTRETIEN

ATTENTION :

- N'utilisez jamais d'essence, de benzine, de diluant, d'alcool ou de produit similaire. Ces produits risquent de provoquer des décolorations, des déformations ou des fissures.

Spécifications :

Puissance consommée

Adaptateur secteur	12 V CC 1A, broche centrale positive
Batterie	Batterie à faisceau : 7,2 V - 18 V Batterie coulissante : 9,6 V - 18 V
Gamme de fréquences	FM 87,50 - 108 MHz DAB/DAB+ 174,928 - 239,200 MHz
Bloc de canal DAB/DAB+	DAB (Bande III) 5A-13F
Standard compatible	DAB (DMR104) DAB/DAB+ (DMR105)

Fonction du circuit

Haut-parleur	3 pouces 8 ohm
Puissance de sortie	7,2 V : 0,5 W x 2, 9,6 V : 1 W x 2 10,8 V : 1,2 W x 2, 12 V : 1,5 W x 2 14,4 V : 2,2 W x 2, 18 V : 3,5 W x 2
Borne d'entrée	3,5 mm de diamètre (AUX IN1/AUX IN2)

DEUTSCH (Originalanweisungen)

Symbole

Im Folgenden sind die im Zusammenhang mit diesem Gerät verwendeten Symbole dargestellt. Machen Sie sich vor der Benutzung des Geräts unbedingt mit diesen Symbolen vertraut!



Lesen Sie die vorliegende Betriebsanleitung.



Nur für EU-Länder

Entsorgen Sie Elektrowerkzeuge, Batterien und Akkus nicht über den Hausmüll!



Gemäß Europäischer Richtlinie 2002/96/EG über Elektro- und Elektronik-Altgeräte, 2006/66/EG über Batterien und Akkumulatoren sowie Altbatterien und Alttakkumulatoren und Umsetzung in nationales Recht müssen verbrauchte Elektrowerkzeuge, Altbatterien und Alttakkumulatoren getrennt gesammelt und einer umweltgerechten Wiederverwertung zugeführt werden.

WICHTIGE SICHERHEITSHINWEISE

⚠️ WARNUNG:

Bei der Verwendung von Elektrogeräten müssen stets grundlegende Sicherheitsmaßnahmen befolgt werden, zu denen auch die im Folgenden genannten gehören, um die Gefahr von Verletzungen, Stromschlägen und Bränden zu verringern.

1. Lesen Sie vor der Verwendung des Geräts die vorliegende Bedienungsanleitung sowie die Bedienungsanleitung zum Ladegerät aufmerksam durch.
2. Reinigen Sie dieses Gerät lediglich mit einem trockenen Tuch.
3. Stellen Sie dieses Gerät nicht in der Nähe von Wärmequellen, wie Radiatoren, Heizregister, Öfen oder andere wärmeerzeugende Apparaturen (einschließlich Verstärker) auf.
4. Verwenden Sie ausschließlich vom Hersteller vorgegebene Anbaugeräte bzw. Zubehörteile.
5. Ziehen Sie bei einem Gewitter, oder wenn Sie das Gerät für längere Zeit nicht verwenden, den Netzstecker dieses Geräts.
6. Ein akkubetriebenes Radio mit eingebauten Akku oder einem herausnehmbaren Akkupack darf nur mit dem angegebenen Ladegerät geladen werden. Ein Ladegerät, das sich für den einen Akkutyp eignet, kann bei der Verwendung mit einem anderen Akku eine Brandgefahr darstellen.
7. Ein akkubetriebenes Radio darf nur mit den dafür speziell vorgesehenen Akkupacks verwendet werden. Bei Verwendung anderer Akkus besteht Brandgefahr.
8. Kurzzeit nicht verwendete Akkus dürfen nicht in der Nähe von anderen metallischen Gegenständen wie Büroklammern, Münzen, Schlüssel, Nägeln, Schrauben oder sonstigen metallischen

Kleingegenständen aufbewahrt werden, da die Gefahr besteht, dass eine leitende Verbindung zwischen den Kontakten hergestellt wird. Ein Kurzschluss der Akkukontakte kann Funkenflug oder Verbrennungen verursachen und stellt eine Brandgefahr dar.

9. Vermeiden Sie Körperkontakt mit geerdeten Flächen wie Rohren, Radiatoren, Herdplatten und Heiz- und Kühlelementen. Wenn Ihr Körper geerdet ist, besteht bei einem elektrischen Schlag eine erhöhte Gefahr.
10. Bei unsachgemäßem Gebrauch kann Flüssigkeit aus dem Akku austreten; vermeiden Sie in diesem Fall jeglichen Kontakt mit der Flüssigkeit. Wenn Sie versehentlich mit Flüssigkeit aus dem Akku in Berührung geraten, waschen Sie die betroffene Stelle gründlich mit Wasser ab. Wenn die Flüssigkeit in die Augen geraten ist, suchen Sie anschließend umgehend einen Arzt auf. Die aus dem Akku austretende Flüssigkeit kann Hautreizungen und Verbrennungen verursachen.
11. Der NETZSTECKER wird als Trenneinrichtung genutzt und muss ständig zugänglich sein.

BEWAHREN SIE DIESE ANWEISUNGEN SORGFÄLTIG AUF

WICHTIGE SICHERHEITSHINWEISE

FÜR AKKUBLOCK

1. Lesen Sie vor der Verwendung des Akkublocks alle Anweisungen und Sicherheitshinweise für das Akkuladegerät (1), den Akku (2) und das Produkt (3), für das der Akku verwendet wird, sorgfältig durch.
2. Der Akkublock darf nicht zerlegt werden.
3. Falls die Betriebsdauer erheblich kürzer wird, beenden Sie den Betrieb umgehend. Anderenfalls besteht die Gefahr einer Überhitzung sowie die Gefahr von Verbrennungen und sogar einer Explosion.
4. Wenn Elektrolyt in die Augen geraten ist, waschen Sie die Augen mit klarem Wasser aus, und suchen Sie sofort einen Arzt auf. Anderenfalls kann es zum Verlust der Sehfähigkeit kommen.
5. Vermeiden Sie einen Kurzschluss des Akkublocks:
 - (1) Die Kontakte dürfen nicht mit leitenden Materialien in Berührung kommen.
 - (2) Der Akkublock darf nicht in einem Behälter aufbewahrt werden, in dem sich andere metallische Gegenstände wie beispielsweise Nägel, Münzen usw. befinden.
 - (3) Der Akkublock darf keiner Feuchtigkeit und keinem Regen ausgesetzt werden. Ein Kurzschluss des Akkus kann zu elektrischen Strömen hoher Stärke, Überhitzung, Verbrennungen und sogar zu einer Zerstörung des Geräts führen.
6. Gerät und Akkublock dürfen nicht an Orten aufbewahrt werden, an denen Temperaturen von 50 °C oder darüber erreicht werden können.

7. Auch schwer beschädigte oder sonstwie unbrauchbar gewordene Akkublöcke dürfen nicht verbrannt werden. Ein Akkublock kann in den Flammen explodieren.
8. Lassen Sie den Akku nicht fallen, und vermeiden Sie Schläge gegen den Akku.
9. Verwenden Sie niemals einen beschädigten Akku.

Merkmale:

- FM/DAB oder DAB+
- Großes LCD-Display mit Beleuchtung
- Sendereinstellung Manuell / Voreingestellte Sender / Sendersuchlauf
- Sendereinstellung und Lautstärkeregelung durch Drehknopf
- 5 Senderspeicher für jedes Band
- Micro-USB-Anschluss für Softwareaktualisierung
- Stereo-Lautsprecher für volles Klangbild
- Äußerst robuster Aufbau
- Schutz gegen allseitiges Spritzwasser gemäß IPX 4
- Stromversorgung durch Makita Akkublock oder über den mitgelieferten Netzadapter

Erklärung der Gesamtdarstellung

Bedienelemente

1. Ein/Aus-Taste
2. Taste BAND
3. Einstelltaste ADVANCED (Erweiterte Einstellungen)
4. Taste INFO
5. Tasten PRESETS (Senderspeicher)
6. Taste AUTOTUNE (Automatische Sendereinstellung)
7. Drehknopf VOLUME für Lautstärke/ Sendereinstellung/Auswahl
8. Buchse DC IN
9. Buchse AUX IN 1
10. LCD-Display
11. Flexible Stabantenne
12. Tragegriff
13. Akkufach (für Akkublock)
14. Lautsprecher
15. Akkufachverriegelung
16. Eingangsbuchse (AUX IN 2)
17. Akkufach
18. Micro-USB-Anschluss für Softwareaktualisierung
19. Roter Bereich
20. Taste
21. Akkublock
22. Halterung

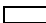
Einsetzen des Akkus


Hinweis:

1. Ziehen Sie die Akkufachverriegelung heraus, um das Akkufach freizugeben. **(Abb. 2)**
2. Setzen Sie den Akkublock für die Stromversorgung des Radios ein. In der folgenden Tabelle sind die für dieses Radio geeigneten Akkupacks aufgeführt.

In der folgenden Tabelle ist die jeweilige Betriebsdauer pro Aufladung angegeben.

Spannung des Akkublocks						BEI LAUTSPRECHERLEISTUNG = 50 mW + 50 mW Einheit: Stunde
7,2 V	9,6 V	10,8 V	12 V	14,4 V	18 V	
BL7010						ca. 4,5
	PA09		PA12	PA14	PA18	ca. 6,5
	9050		1250	1450	1850	
	9051		1251	1452	1852	
	9100		1200	1420	BL1815	
	9120	BL1013	1220	BL1415		
	9100A		1200A			
					BL1815N	ca. 9,0
	9102		1202	1422	1822	ca. 10,0
	9122		1222	BH1420		
	9102A		1202A			
	BH9020		BH1220			
	BH9020A		BH1220C			
	9134		1234	1434	1834	ca. 14,5
				BH1427		ca. 15,0
	9135		1235	1435	1835	ca. 17,0
				1435F	BL1830	
			1235F	BL1430		
	BH9033		BH1233	BH1433		ca. 18,0
	BH9033A		BH1233C			
				BL1440	BL1840	ca. 24,0

 : Aufsteckakku

 : Einschubakku



WARNUNG:

Verwenden Sie keine zwei Akkus zur gleichen Zeit.

3-1. Einsetzen und Entnehmen des Einschubakkublocks (Abb. 4)

- Zum Einsetzen des Akkublocks richten Sie die Zunge des Akkublocks an der Rille im Gehäuse aus, und schieben Sie den Akkublock in die ordnungsgemäße Position. Setzen Sie den Akkublock unbedingt vollständig ein, bis er mit einem Klick einrastet.
- Wenn Sie den roten Bereich oben auf der Taste sehen können, ist der Batterieadapter nicht ganz eingerastet. Setzen Sie den Akkublock vollständig ein, bis der rote Bereich nicht mehr zu sehen ist. Andernfalls kann der Akkublock versehentlich aus dem Gerät fallen und Sie oder umstehende Personen verletzen.
- Wenden Sie beim Einsetzen des Akkublocks keine Gewalt an. Wenn der Akkublock nicht leicht hineingleitet, ist er nicht richtig angesetzt.
- Zum Entnehmen des Akkublocks schieben Sie die Taste auf der Vorderseite des Akkublocks bzw. drücken Sie die Tasten an beiden Seiten des Akkublocks, und ziehen Sie den Akkublock gleichzeitig aus dem Gerät heraus.



WARNUNG:

Verwenden Sie keine zwei Akkus zur gleichen Zeit.

3-2. Einsetzen und Entnehmen des Aufsteckakkublocks (Abb. 5 bis 9)

- Ziehen Sie die Halterung, um den Akku an die Kontakte ansetzen zu können.
- Zum Einsetzen des Akkublocks richten Sie die Zunge des Akkublocks an der Rille im Gehäuse aus und schieben Sie den Akkublock in die ordnungsgemäße Position.
- Lassen Sie die Halterung los.
- Zum Entnehmen des Akkublocks ziehen Sie die Halterung, und nehmen Sie den Akkublock von den Kontakten ab.
- 4. Bringen Sie die Akkufachverriegelung wieder in die ursprüngliche Position.
- 5. Verringerte Leistung, Verzerrungen und ein „stotternder“ Ton sind Anzeichen dafür, dass der Akkublock ausgetauscht werden muss.

Hinweis:

Der Akkublock kann nicht über den mitgelieferten Netzadapter geladen werden.

Einsetzen der flexiblen Stabantenne

(Abb. 10 und 11)

Setzen Sie die flexible Stabantenne wie in der Abbildung dargestellt ein.

Hinweis:

Im Akkufach befindet sich eine Möglichkeit zum Aufbewahren der abgenommenen Antenne.

Verwenden des mitgelieferten

Netzadapters (Abb. 12)

Nehmen Sie den Gummischutz ab, und stecken Sie den Adapterstecker in die Gleichspannungsbuchse (DC IN) an der Vorderseite des Radios. Stecken Sie den Adapter in eine herkömmliche Netzsteckdose. Bei jedem Anschließen des Adapters an das Radio wird der Akku automatisch getrennt. Bei Nichtverwendung sollte der Netzadapter von der Netzspannung getrennt werden.

Bedienen des Radios

Dieses Radio verfügt über drei Möglichkeiten der Sendereinstellung: Sendersuchlauf, manuelle Sendereinstellung und Aufrufen zuvor gespeicherter Sender.

Auswählen eines Senders – DAB

1. Schalten Sie das Radio durch Drücken der Ein/Aus-Taste ein.
2. Wählen Sie durch Drücken der Taste BAND den DAB-Modus aus.
3. Drücken Sie auf die Einstelltaste ADVANCED (Erweiterte Einstellungen), und drehen Sie den Drehknopf VOLUME für Lautstärke/Sendereinstellung/Auswahl, bis im Display „Station List“ (Senderliste) blinkt. Drücken Sie auf den Drehknopf VOLUME für Lautstärke/Sendereinstellung/Auswahl, um die Senderliste aufzurufen.
4. Drehen den Drehknopf VOLUME für Lautstärke/Sendereinstellung/Auswahl, um die Senderliste zu durchblättern. Drücken Sie auf den Drehknopf, um den Sender auszuwählen.
5. Stellen Sie die gewünschte Lautstärke ein, indem Sie den Drehknopf VOLUME für Lautstärke/Sendereinstellung/Auswahl drehen.

Displaymodi – DAB

Das Radio verfügt im DAB-Modus über verschiedene Displayoptionen:

Drücken Sie auf die Taste INFO um durch die verschiedenen Optionen zu blättern. Die einzelnen Optionen werden unter den folgenden Buchstaben (a) bis (g) erläutert:

- a. Station name (Sendername)
Zeigt den Namen des eingestellten Senders an
- b. Program type (Programmgenre)
Zeigt das Genre des eingestellten Senders an (z. B. Pop, Klassik, Nachrichten usw.)

- c. Multiplex name (Multiplex-Name)
Zeigt den Namen des DAB-Multiplex an, zu dem der eingestellte Sender gehört
- d. Time & date (Uhrzeit und Datum)
Zeigt derzeitiges Datum und derzeitige Uhrzeit an
- e. Frequency and channel (Frequenz und Kanal)
Zeigt die Frequenz und die Kanalnummer des eingestellten DAB-Senders an
- f. Bit rate/Audio type (Bitrate/Audio-Typ)
Zeigt die Bitrate und den Audio-Typ des Digital Audio des eingestellten DAB-Senders an
- g. Signal strength (Signalstärke)
Zeigt die Signalstärke des eingestellten DAB-Senders an

Suchen neuer Stationen

Von Zeit zu Zeit können neue DAB-Rundfunkstationen empfangbar werden. Möglicherweise sind Sie auch in einen anderen Teil des Landes gewechselt. In diesem Fall möchten Sie möglicherweise, dass das Radio nach neuen Sendern sucht.

Damit das Radio alle empfangbaren Sender finden kann, wird empfohlen, dass Sie einen vollständigen Sendersuchlauf über alle Frequenzen des DAB-Band III ausführen.

1. Drücken Sie auf die Taste AUTOTUNE (Automatische Sendereinstellung).
2. Das Radio führt daraufhin einen Sendersuchlauf über alle DAB-Frequenzen hinweg aus. Immer wenn ein neuer Sender gefunden wird, erhöht sich der Sendezähler links im Display, und die Station wird in die Liste eingetragen.

Manuelle Sendereinstellung – DAB

Mit der manuellen Sendereinstellung können Sie am Radio eine ganz konkrete DAB-Frequenz in BAND III einstellen. Diese Funktion kann auch für das Ausrichten der Antenne bzw. des Radios auf den optimalen Empfang eines bestimmten Kanals oder einer bestimmten Frequenz genutzt werden.

1. Drücken Sie auf die Einstelltaste ADVANCED (Erweiterte Einstellungen), und drehen Sie den Drehknopf VOLUME für Lautstärke/Sendereinstellung/Auswahl, bis im Display „Manual Tune“ (Manuelle Sendereinstellung) blinkt. Drücken Sie auf den Drehknopf VOLUME für Lautstärke/Sendereinstellung/Auswahl, um die manuelle Sendereinstellung zu aktivieren.
2. Drehen Sie den Drehknopf VOLUME für Lautstärke/Sendereinstellung/Auswahl, um den gewünschten DAB-Kanal auszuwählen. Drücken Sie auf den Drehknopf VOLUME für Lautstärke/Sendereinstellung/Auswahl, um die ausgewählte Frequenz zu übernehmen.

Dynamic Range Control (DRC) – DAB

Die Funktion DRC sorgt dafür, dass leisere Passagen besser zu hören sind, wenn das Radio in einer lautstarken Umgebung genutzt wird, indem der Dynamikbereich des Audiosignals eingeengt wird.

Es sind drei Stufen der Komprimierung möglich:

- DRC 0 Keine Komprimierung
- DRC 1/2 Mittelstarke Komprimierung
- DRC 1 Maximale Komprimierung

1. Schalten Sie das Radio durch Drücken der Ein/Aus-Taste ein.
2. Drücken Sie auf die Taste BAND, um das DAB-Band auszuwählen.
3. Drücken Sie auf die Einstelltaste ADVANCED (Erweiterte Einstellungen), und drehen Sie den Drehknopf VOLUME für Lautstärke/Sendereinstellung/Auswahl, bis im Display „DRC Value“ (DRC-Wert) blinkt. Drücken Sie anschließend auf den Drehknopf VOLUME für Lautstärke/Sendereinstellung/Auswahl, um den Einstellungsmodus zu aktivieren. Im Display wird der derzeitige eingestellte DRC-Wert angezeigt.
4. Drehen Sie den Drehknopf VOLUME für Lautstärke/Sendereinstellung/Auswahl, um die gewünschte DRC-Einstellung auszuwählen.
5. Drücken Sie anschließend auf den Drehknopf VOLUME für Lautstärke/Sendereinstellung/Auswahl, um die Einstellung zu übernehmen.

Festlegen der Reihenfolge der Sender – DAB

Das Radio verfügt über 3 Einstellungen für die Reihenfolge der Sender, von der eine ausgewählt werden kann. Die Einstellungen für die Reihenfolge der Sender sind „Alphanumeric“ (Alphanumerisch), „Ensemble“ und „Valid station“ (Gültiger Sender).

1. Drücken Sie auf die Einstelltaste ADVANCED (Erweiterte Einstellungen).
2. Drehen Sie den Drehknopf VOLUME für Lautstärke/Sendereinstellung/Auswahl, bis im Display „Station order“ (Senderreihenfolge) angezeigt wird, und drücken Sie anschließend auf den Drehknopf VOLUME für Lautstärke/Sendereinstellung/Auswahl, um den Einstellungsmodus zu aktivieren.
3. Drehen Sie den Drehknopf VOLUME für Lautstärke/Sendereinstellung/Auswahl, um eine der folgenden Möglichkeiten auszuwählen, und drücken Sie anschließend auf den Drehknopf, um die ausgewählte Einstellung zu übernehmen.

Alphanumeric (Alphanumerisch)

Sortiert die Senderliste alphanumerisch 0...9 A...Z

Ensemble

Organisiert die Senderliste nach DAB-Multiplex

Valid (Gültig)

Zeigt nur Sender an, zu denen ein Signal erkannt werden kann

Sendersuchlauf – FM

1. Drücken Sie die Ein/Aus-Taste, um das Radio einzuschalten.
2. Wählen Sie das gewünschte Frequenzband durch Drücken der Taste BAND. Achten Sie darauf, dass die flexible Stabantenne eingesetzt wurde, damit ein guter FM-Empfang gegeben ist. Betreiben Sie das Radio möglichst nicht in der Nähe eines Computerbildschirms oder anderer Geräte, die den Radioempfang stören könnten.
3. Drücken Sie auf die Taste AUTOTUNE (Automatische Sendereinstellung). Das Radio beginnt, nach Sendern zu suchen. Wenn ein Rundfunksender gefunden wurde, stoppt das Radio die Suche automatisch. Das Radio setzt die Suche nach den nächsten empfangbaren Sendern solange fort, bis der Benutzer auf die Taste AUTOTUNE drückt, um den Sendersuchlauf zu beenden.
4. Drehen Sie den Drehknopf VOLUME für Lautstärke/Sendereinstellung/Auswahl, um die gewünschte Lautstärke einzustellen. Die Änderung der Lautstärke wird im LCD-Display angezeigt.

Hinweis:

Wenn Sie den gewünschten Sender anhand des Drehknopfs VOLUME für Lautstärke/Sendereinstellung/Auswahl suchen möchten, drücken Sie den Drehknopf VOLUME für Lautstärke/Sendereinstellung/Auswahl und halten Sie den Drehknopf gedrückt, um zum Modus „Sendereinstellung“ zu wechseln.

5. Schalten Sie das Radio durch Drücken der Ein/Aus-Taste aus.

Sendersuchbereich für FM

Im FM-Modus kann das Radio so eingestellt werden, dass es entweder nur Sender in der Nähe oder nach allen Sendern, auch weiter entfernten, sucht.

Manuelle Sendereinstellung – FM

1. Drücken Sie die Ein/Aus-Taste, um das Radio einzuschalten.
2. Wählen Sie durch Drücken der Taste BAND das gewünschte Frequenzband aus. Richten Sie die Antenne wie bereits oben erläutert aus.
3. Durch Drehen des Drehknopfs VOLUME für Lautstärke/Sendereinstellung/Auswahl wird die Frequenz in folgenden Schritten geändert:
FM: 50 oder 100 kHz

Hinweis:

Wenn Sie den gewünschten Sender anhand des Drehknopfs VOLUME für Lautstärke/Sendereinstellung/Auswahl suchen möchten, drücken Sie den Drehknopf VOLUME für Lautstärke/Sendereinstellung/Auswahl und halten Sie den Drehknopf gedrückt, um zum Modus „Sendereinstellung“ zu wechseln.

4. Drehen Sie den Drehknopf VOLUME für Lautstärke/Sendereinstellung/Auswahl weiter, bis die gewünschte Frequenz im Display angezeigt wird.
5. Drehen Sie den Drehknopf VOLUME für Lautstärke/Sendereinstellung/Auswahl, um die gewünschte Lautstärke einzustellen.
6. Schalten Sie das Radio durch Drücken der Ein/Aus-Taste aus.

Displaymodi – FM

Das Radio verfügt über mehrere Displayoptionen für den FM-Radiomodus:

Drücken Sie wiederholt auf die Taste INFO, um durch die verschiedenen Optionen zu blättern.

- a. Program station (Sendername)
Zeigt den Namen des eingestellten Senders an
- b. Radio text (Radio-Text)
Zeigt Textmeldungen wie z. B. Nachrichten usw. an
- c. Program type (Programmart)
Zeigt die Art des eingestellten Senders an, beispielsweise Pop, Classic, News usw.
- d. Time & date (Uhrzeit und Datum)
Zeigt derzeitiges Datum und derzeitige Uhrzeit an
- e. Frequency (Frequenz)
Zeigt die Frequenz des eingestellten FM-Signals an

Speichern von Sendern im Senderspeicher (DAB und FM)

Für jeden Frequenzbereich stehen 5 Senderspeicherplätze zur Verfügung.

1. Drücken Sie die Ein/Aus-Taste, um das Radio einzuschalten.
2. Stellen Sie anhand einer der oben beschriebenen Methoden den gewünschten Sender ein.
3. Drücken und halten Sie die gewünschte Taste unter PRESETS (Senderspeicher), bis die Nummer des Senderspeicherplatzes im Display angezeigt wird, beispielsweise „P2 Saved“ (P2 gespeichert). Der Sender ist nun unter der ausgewählten Taste unter PRESETS gespeichert.
4. Wiederholen Sie diese Schritte für die verbleibenden Senderspeicher.
5. Durch Ausführen der oben angegebenen Schritte können im Senderspeicher gespeicherte Sender überschrieben werden.

Aufrufen von Sendern aus dem Senderspeicher (DAB und FM)

1. Drücken Sie die Ein/Aus-Taste, um das Radio einzuschalten.
2. Wählen Sie durch Drücken der Taste BAND das gewünschte Frequenzband aus.

3. Drücken Sie kurz auf die gewünschte Taste für PRESETS (Senderspeicher); die Nummer des Senderspeichers und die Frequenz des Senders werden im Display angezeigt.

Sprachoptionen (nur am DMR105)

Das Radio verfügt über vier Auswahlmöglichkeiten für die Sprache: Englisch, Deutsch, Französisch und Italienisch.

1. Drücken Sie auf die Einstelltaste ADVANCED (Erweiterte Einstellungen).
2. Drehen Sie den Drehknopf VOLUME für Lautstärke/Sendereinstellung/Auswahl weiter, bis „Language“ (Sprache) im Display angezeigt wird. Drücken Sie auf den Drehknopf VOLUME für Lautstärke/Sendereinstellung/Auswahl, um den Einstellungsmodus zu aktivieren.
3. Drehen Sie den Drehknopf VOLUME für Lautstärke/Sendereinstellung/Auswahl, um die gewünschte Sprache auszuwählen. Drücken Sie anschließend auf den Drehknopf VOLUME für Lautstärke/Sendereinstellung/Auswahl, um die Einstellung zu übernehmen.

Regelung der Helligkeit

Die Helligkeit der Hintergrundbeleuchtung des Displays ist einstellbar.

1. Drücken Sie auf die Einstelltaste ADVANCED (Erweiterte Einstellungen).
2. Drehen Sie den Drehknopf VOLUME für Lautstärke/Sendereinstellung/Auswahl weiter, bis „Backlight“ (Hintergrundbeleuchtung) im Display angezeigt wird. Drücken Sie auf den Drehknopf VOLUME für Lautstärke/Sendereinstellung/Auswahl, um den Einstellungsmodus zu aktivieren.
3. Drehen Sie den Drehknopf VOLUME für Lautstärke/Sendereinstellung/Auswahl, um die Hintergrundbeleuchtung ein- oder auszuschalten, und drücken Sie anschließend auf den Drehknopf VOLUME für Lautstärke/Sendereinstellung/Auswahl, um die Einstellung zu übernehmen.

Zurücksetzen des Systems

Falls das Radio nicht ordnungsgemäß funktionieren sollte oder wenn im Display Stellen fehlen oder unvollständig sind, führen Sie die folgenden Schritte aus.

1. Drücken Sie auf die Einstelltaste ADVANCED (Erweiterte Einstellungen).
2. Drehen Sie den Drehknopf VOLUME für Lautstärke/Sendereinstellung/Auswahl weiter, bis „Factory Reset“ (Auf werkseitige Einstellungen zurücksetzen) im Display angezeigt wird. Drücken Sie auf den Drehknopf VOLUME für Lautstärke/Sendereinstellung/Auswahl, um den Einstellungsmodus zu aktivieren.
3. Drehen Sie den Drehknopf VOLUME für Lautstärke/Sendereinstellung/Auswahl, um „Yes“ (Ja)

auszuwählen. Drücken Sie auf den Drehknopf VOLUME für Lautstärke/Sendereinstellung/Auswahl, um die Einstellung zu übernehmen. Dadurch wird ein vollständiges Zurücksetzen ausgeführt.

Softwareversion

1. Drücken Sie auf die Einstelltaste ADVANCED (Erweiterte Einstellungen).
2. Drehen Sie den Drehknopf VOLUME für Lautstärke/Sendereinstellung/Auswahl weiter, bis „SW Version“ im Display angezeigt wird. Drücken Sie auf den Drehknopf VOLUME für Lautstärke/Sendereinstellung/Auswahl, um die im Radio installierte Softwareversion anzuzeigen.

Micro-USB-Anschluss für Softwareaktualisierung

Zukünftig werden möglicherweise Softwareaktualisierungen für das Radio zur Verfügung gestellt.

Wenn Softwareaktualisierungen verfügbar werden und wie Sie eine Aktualisierung der Software Ihres Radios vornehmen können, erfahren Sie auf der **Website von Makita**.

Wiedergeben anderer Audioquellen

ACHTUNG:

Trennen Sie dieses Gerät vom Stromnetz, bevor Sie andere Audioquellen anschließen.

- Es gibt 2 Buchsen AUX IN. AUX IN 1 befindet sich an der Vorderseite des Geräts, und AUX IN 2 befindet sich im Akkufach.
- Schließen Sie an eine der beiden Buchsen AUX IN 1 oder AUX IN 2 über ein Audiokabel eine Stereo- oder Mono-Audioquelle an (z.B. iPod, MP3- oder CD-Player).
- Drücken Sie die Taste BAND wiederholt, bis „AU1“ oder „AU2“ angezeigt wird. Nun ist die AUX-Funktion aktiviert.

WARTUNG

ACHTUNG:

- Verwenden Sie zum Reinigen niemals Kraftstoffe, Benzin, Verdüner, Alkohol oder ähnliches. Dies kann zu Verfärbungen, Verformungen oder Rissen führen.

Technische Daten:

Stromversorgung

Netzadapter	Gleichspannung 12 V, 1 A; mittiger Pin positiv
Akku	Aufsteckakku: 7,2 V bis 18 V Einschubakku: 9,6 V bis 18 V
Frequenzbereich	FM 87,50 bis 108 MHz DAB/DAB+ 174,928 - 239,200 MHz
Kanalblock DAB/DAB+	DAB (Band III) 5A-13F
Kompatible Norm	DAB (DMR104) DAB/DAB+ (DMR105)

Elektrische Daten

Lautsprecher	3 Zoll, 8 Ohm
Ausgangsleistung	7,2 V: 0,5 W x 2; 9,6 V: 1 W x 2 10,8 V: 1,2 W x 2; 12 V: 1,5 W x 2 14,4 V: 2,2 W x 2; 18 V: 3,5 W x 2
Eingangsbuchse	Durchmesser 3,5 mm (AUX IN1/AUX IN2)
Antennensystem	DAB/FM: flexible Stabantenne
Abmessung (B x H x T) in mm	280 x 302 x 163
Gewicht	4 kg (ohne Akku)

ITALIANO (Istruzioni originali)

Simboli

Di seguito sono riportati i simboli utilizzati per l'apparecchio. È importante comprenderne il significato prima dell'uso.



Leggere il manuale di istruzioni.



Cd
Ni-MH
Li-Ion

Solo per i paesi UE

Non gettare le apparecchiature elettriche o le batterie tra i rifiuti domestici.

Secondo la Direttiva Europea 2002/96/CE sui rifiuti di apparecchiature elettriche ed elettroniche e la Direttiva Europea 2006/66/CE sulle batterie e gli accumulatori e sui rifiuti di batterie e di accumulatori, e la sua attuazione in conformità alle norme nazionali, le apparecchiature elettriche e le batterie esauste devono essere raccolte separatamente, al fine di essere riciclate in modo eco-compatibile.

ISTRUZIONI IMPORTANTI PER LA SICUREZZA

⚠ AVVERTENZA:

Durante l'utilizzo di utensili elettrici è necessario adottare misure di sicurezza basilari per ridurre il rischio di incendi, scosse elettriche e lesioni personali, come ad esempio:

1. Leggere attentamente queste istruzioni per l'uso insieme a quelle del caricabatterie prima dell'utilizzo.
2. Pulire solo con un panno asciutto.
3. Non installare vicino a fonti di calore come radiatori, termoregolatori, stufe o altri apparecchi (inclusi gli amplificatori) che producono calore.
4. Utilizzare solo dispositivi opzionali/accessori specificati dal produttore.
5. Scollegare l'apparecchio durante i temporali o durante i periodi di inutilizzo prolungato.
6. Le radio con batteria integrata o separata devono essere ricaricate solo con il caricabatterie specifico per quel tipo di batteria. Un caricabatterie specifico per un determinato tipo di batteria potrebbe comportare il pericolo di incendio se utilizzato con un'altra batteria.
7. Utilizzare la radio a batteria solo con le batterie specifiche. L'utilizzo di batterie diverse potrebbe provocare il pericolo di incendio.
8. Tenere la batteria non utilizzata lontano da altri oggetti metallici quali: fermagli, monete, chiavi, chiodi, viti o altri piccoli oggetti metallici che potrebbero fare contatto con uno dei terminali. Un cortocircuito dei terminali della batteria potrebbe causare scintille, ustioni o incendi.
9. Evitare il contatto con elementi provvisti di collegamento a terra come tubi, radiatori, frigoriferi e altri elementi conduttori. Il rischio di scossa elettrica aumenta se il corpo dell'operatore ha un collegamento a terra.

10. L'uso improprio può provocare la fuoriuscita del liquido della batteria; evitare il contatto con tale liquido. In caso di contatto accidentale sciacquare abbondantemente con acqua. Se il liquido entra in contatto con gli occhi, consultare un medico. Il liquido della batteria può causare irritazioni o ustioni.
11. La spina di alimentazione ha la funzione di dispositivo di scollegamento e deve rimanere prontamente accessibile.

CONSERVARE QUESTE ISTRUZIONI

ISTRUZIONI IMPORTANTI PER LA SICUREZZA

PER LA BATTERIA

1. Prima di utilizzare la batteria, leggere tutte le istruzioni e gli avvisi di sicurezza relativi a (1) caricabatterie, (2) batteria, e (3) prodotto alimentato a batteria.
2. Non smontare la batteria.
3. Se il tempo di funzionamento diventa eccessivamente breve, interrompere immediatamente l'uso dell'utensile. Potrebbero verificarsi surriscaldamenti, ustioni o esplosioni.
4. In caso di contatto dell'elettrolita con gli occhi, sciacquare con acqua fresca e consultare immediatamente un medico. Potrebbero verificarsi danni permanenti alla vista.
5. Non cortocircuitare la batteria:
 - (1) Non toccare i terminali con materiali conduttori.
 - (2) Evitare di conservare la batteria in un contenitore con altri oggetti metallici come chiodi, monete, ecc.
 - (3) Non esporre la batteria all'acqua o alla pioggia. Un cortocircuito della batteria può causare un elevato flusso di corrente con conseguenti surriscaldamenti, possibili ustioni e persino guasti.
6. Non conservare l'utensile e la batteria in ambienti in cui la temperatura può raggiungere o superare 50 °C.
7. Non smaltire la batteria nel fuoco, anche se gravemente danneggiata o del tutto esausta. Se esposta al fuoco, la batteria può esplodere.
8. Non far cadere o colpire la batteria.
9. Non utilizzare batterie danneggiate.

Caratteristiche:

- FM/DAB o DAB+
- Ampio display LCD a illuminazione
- Sintonizzazione manuale/preselezionata/a scansione
- Sintonizzazione e Volume con tasto a rotazione
- 5 stazioni preselezionate per ogni banda
- Porta micro USB per aggiornamento software
- Altoparlante stereo ad alta prestazione
- Design ultrasensibile
- Impermeabile IPX 4
- Alimentazione a batteria Makita e adattatore supplementare

Spiegazione della vista generale

Comandi

1. Pulsante Power (accensione)
2. Pulsante Band (banda)
3. Pulsante Advanced setting (impostazioni avanzate)
4. Pulsante Info (informazioni)
5. Pulsante Preset (preselezione)
6. Pulsante Auto tune (sintonia automatica)
7. Manopola Volume/Tuning Control/Select (controllo/selezione del volume/sintonizzazione)
8. Presa DC IN
9. AUX IN 1
10. Display LCD
11. Antenna morbida
12. Impugnatura
13. Vano batteria (copertura batteria principale)

14. Altoparlante
15. Aprivano batteria
16. Terminale d'ingresso (AUX IN 2)
17. Vano batteria principale
18. Porta micro USB per aggiornamento software
19. Indicatore rosso
20. Pulsante
21. Batteria
22. Barra di sostegno

Installazione della batteria

Nota:

1. Tirare l'aprivano batteria per aprire il vano. **(Fig. 2)**
2. Inserire la batteria principale per alimentare la radio.
Di seguito viene riportato l'elenco delle batterie compatibili con questa radio.

La tabella seguente indica il tempo di funzionamento con una singola ricarica della batteria.

Tensione della batteria						ALL'USCITA ALTOPARLANTE = 50 mW + 50 mW unità: ore
7,2 V	9,6 V	10,8 V	12 V	14,4 V	18 V	
BL7010						Circa 4,5
	PA09		PA12	PA14	PA18	Circa 6,5
	9050		1250	1450	1850	
	9051		1251	1452	1852	
	9100		1200	1420	BL1815	
	9120	BL1013	1220	BL1415		
	9100A		1200A			
					BL1815N	Circa 9,0
	9102		1202	1422	1822	Circa 10,0
	9122		1222	BH1420		
	9102A		1202A			
	BH9020		BH1220			
	BH9020A		BH1220C			
	9134		1234	1434	1834	Circa 14,5
				BH1427		Circa 15,0
	9135		1235	1435	1835	Circa 17,0
				1435F	BL1830	
			1235F	BL1430		
	BH9033		BH1233	BH1433		Circa 18,0
	BH9033A		BH1233C			
				BL1440	BL1840	Circa 24,0

 : Batterie nichel-cadmio e nichel-metalidrato

 : Batterie Makstar

AVVERTENZA:

Non utilizzare contemporaneamente due batterie principali.

3-1. Installazione o rimozione delle batterie Makstar (Fig. 4)

- Per inserire la batteria, allineare la linguetta della batteria con la scanalatura nell'alloggiamento e farla

scorrere in posizione. Inserire a fondo la batteria fino a bloccarla in posizione con uno scatto.

- Se è visibile l'indicatore rosso sul lato superiore del pulsante, significa che la batteria non è completamente inserita. Inserirla a fondo fino alla scomparsa dell'indicatore rosso. In caso contrario la batteria potrebbe fuoriuscire accidentalmente dall'utensile, provocando danni all'operatore o a eventuali osservatori.

- Non applicare una forza eccessiva per inserire la batteria. Se la batteria non scorre agevolmente, significa che la manovra di inserimento non è corretta.
- Per rimuovere la batteria è sufficiente estrarla dall'utensile facendo scorrere il pulsante nella parte anteriore della batteria oppure premendo i tasti su entrambi i lati della stessa.

⚠ AVVERTENZA:
Non utilizzare contemporaneamente due batterie principali.

3-2. Installazione o rimozione delle batterie nichel-cadmio e nichel-metalidrato (Fig. 5-9)

- Tirare la barra di sostegno per inserire la batteria nel terminale.
 - Per inserire la batteria, allineare l'apposita linguetta allo scomparto e provvedere all'inserimento.
 - Rilasciare la barra di sostegno.
 - Per rimuovere la batteria, tirare la barra di sostegno ed estrarre la batteria dal terminale.
4. Riportare l'apri vano batteria alla posizione originale.
 5. La riduzione dell'alimentazione, la distorsione e l'audio frammentato indicano la necessità di sostituire la batteria principale.

Nota:

Non è possibile ricaricare la batteria tramite l'adattatore di corrente AC in dotazione.

Installazione dell'antenna morbida (Fig. 10-11)

Installare l'antenna morbida come mostrato nella figura.

Nota:

Nel vano batteria è presente un comparto concepito per conservare l'antenna rimossa.

Utilizzo dell'adattatore di corrente AC in dotazione (Fig. 12)

Rimuovere la protezione in gomma e inserire la spina dell'adattatore nella presa DC sulla parte anteriore della radio. Collegare l'adattatore a una presa di corrente standard. Durante l'utilizzo dell'adattatore, la batteria viene scollegata automaticamente. Se non utilizzato, l'adattatore AC deve essere scollegato dall'alimentazione principale.

Uso della radio

Questa radio è dotata di tre modalità di sintonizzazione: a scansione, manuale e a preselezione.

Selezione di una stazione – DAB

1. Premere il pulsante Power per accendere la radio.
2. Selezionare la modalità DAB premendo il pulsante Band.
3. Premere il pulsante Advanced setting e ruotare la manopola Volume/Tuning Control/Select fino a quando "Station List" (Elenco stazioni) lampeggia

sullo schermo. Premere la manopola Volume/Tuning Control/Select per inserire l'elenco delle stazioni.

4. Ruotare la manopola Volume/Tuning Control/Select per scorrere l'elenco delle stazioni disponibili. Premere la manopola per selezionare la stazione.
5. Regolare il volume sul livello desiderato ruotando la manopola Volume/Tuning Control/Select.

Modalità di visualizzazione – DAB

La radio presenta diverse opzioni di visualizzazione per la modalità DAB:

Premere il pulsante Info per scorrere le varie opzioni descritte qui di seguito (da a. ad g.).

- | | |
|-------------------------------|----------------------------------------------------------------------------------------------------------------|
| a. Nome della stazione | Indica il nome della stazione che si sta ascoltando. |
| b. Tipo di programma | Indica il tipo di stazione che si sta ascoltando (ad esempio Pop, Classica, Notizie, ecc.). |
| c. Nome multiplex | Indica il nome del multiplex DAB a cui appartiene la stazione corrente. |
| d. Ora e data | Indica l'ora e la data correnti. |
| e. Frequenza e canale | Indica la frequenza e il numero di canale per la stazione DAB attualmente sintonizzata. |
| f. Velocità in bit/Tipo audio | Indica la velocità in bit dell'audio digitale e il tipo di audio per la stazione DAB attualmente sintonizzata. |
| g. Potenza del segnale | Indica la potenza del segnale per la stazione DAB attualmente sintonizzata. |

Trovare nuove stazioni – DAB

Di tanto in tanto potrebbero diventare disponibili nuove stazioni radio DAB, oppure potrebbe capitare di trasferirsi in una zona diversa del Paese. In tal caso potrebbe essere necessario attivare la radio per eseguire la scansione che consente di cercare nuove stazioni. Per consentire alla radio di trovare le stazioni disponibili, si consiglia di eseguire una scansione completa di tutte le frequenze DAB Band III.

1. Premere il pulsante Auto tune.
2. La radio eseguirà una scansione completa delle frequenze DAB. Man mano che vengono trovate nuove stazioni, il contatore delle stazioni sulla parte sinistra del display aumenterà e le stazioni verranno aggiunte all'elenco.

Sintonizzazione manuale – DAB

La sintonizzazione manuale consente di sintonizzare la radio su una particolare frequenza DAB in Band III. Questa funzione può anche essere utilizzata per coadiuvare il posizionamento dell'antenna o della radio in modo da ottimizzare la ricezione per uno specifico canale o frequenza.

1. Premere il pulsante Advanced setting e ruotare la manopola Volume/Tuning Control/Select fino a

quando "Manual Tune" (Sintonizzazione manuale) viene visualizzato sul display. Premere la manopola Volume/Tuning Control/Select per passare alla modalità di sintonizzazione manuale.

2. Ruotare la manopola Volume/Tuning Control/Select per selezionare il canale DAB desiderato. Premere la manopola Volume/Tuning Control/Select per confermare la frequenza selezionata.

Dynamic Range Control (DRC) – DAB

La funzione DRC (Dynamic Range Control - controllo di intervallo dinamico) facilita l'ascolto dei suoni più leggeri quando la radio viene utilizzata in un ambiente rumoroso riducendo l'intervallo dinamico del segnale audio.

Sono disponibili tre livelli di compressione:

- DRC 0 Nessuna compressione applicata.
- DRC 1/2 Viene applicata una compressione media.
- DRC 1 Viene applicata la compressione massima.

1. Premere il pulsante Power per accendere la radio.
2. Premere il pulsante Band per selezionare la banda DAB.
3. Premere il pulsante Advanced setting e ruotare la manopola Volume/Tuning Control/Select fino a quando "DRC Value" (Valore DRC) viene visualizzato sul display. Premere quindi la manopola Volume/Tuning Control/Select per attivare l'impostazione. Sul display verrà visualizzato il valore DRC corrente.
4. Ruotare la manopola Volume/Tuning Control/Select per selezionare l'impostazione DRC desiderata.
5. Premere la manopola Volume/Tuning Control/Select per confermare l'impostazione.

Impostazione dell'ordine delle stazioni – DAB

La radio dispone di 3 impostazioni per l'ordine delle stazioni tra cui scegliere. Le impostazioni dell'ordine delle stazioni sono alfanumerico, ensemble e stazione valida.

1. Premere il pulsante Advanced setting.
2. Ruotare la manopola Volume/Tuning Control/Select fino a far apparire "Station order" (Ordine stazioni) sul display, quindi premere la manopola Volume/Tuning Control/Select per attivare l'impostazione.
3. Ruotare la manopola Volume/Tuning Control/Select per selezionare le seguenti opzioni e premere la manopola per confermare l'impostazione.

Alphanumeric (Alfanumerico)

L'elenco delle stazioni viene ordinato in modo alfanumerico: 0...9, A...Z

Ensemble L'elenco delle stazioni viene ordinato per multiplex DAB

Valid (Valide) Vengono visualizzate soltanto le stazioni per le quali può essere trovato un segnale

Sintonizzazione a scansione – FM

1. Premere il pulsante Power per accendere la radio.

2. Selezionare la banda d'onda desiderata premendo il pulsante Band. Per una ricezione migliore in banda FM, assicurarsi che l'antenna morbida sia posizionata correttamente. Evitare di utilizzare la radio accanto al monitor di un computer o ad altri apparecchi che potrebbero causare interferenze.
 3. Premere il pulsante Auto tune per avviare la ricerca. La radio si arresta automaticamente quando viene trovata una stazione radio. La radio continua la ricerca della stazione disponibile successiva a meno che l'operatore non prema il pulsante Auto tune per arrestare la scansione.
 4. Ruotare la manopola Volume/Tuning Control/Select per impostare il volume audio desiderato. Il display LCD evidenzierà le modifiche del volume.
- Nota:**
Per utilizzare la manopola Volume/Tuning Control/Select per trovare la stazione desiderata, tenere premuta la manopola Volume/Tuning Control/Select per passare alla modalità di controllo della sintonizzazione.
5. Per spegnere la radio, premere il pulsante Power.

Zona scansione FM

Quando si utilizza la modalità FM, la radio può essere impostata per eseguire la scansione delle stazioni locali o di tutte le stazioni, comprese le stazioni radio più distanti.

Sintonizzazione manuale – FM

1. Premere il pulsante Power per accendere la radio.
2. Premere il pulsante Band per selezionare la banda d'onda desiderata. Regolare l'antenna come descritto sopra.
3. Ruotare la manopola Volume/Tuning Control/Select per cambiare la frequenza secondo l'incremento seguente:
FM: 50 o 100 kHz

Nota:

Per utilizzare la manopola Volume/Tuning Control/Select per trovare la stazione desiderata, tenere premuta la manopola Volume/Tuning Control/Select per passare alla modalità di controllo della sintonizzazione.

4. Continuare a ruotare la manopola Volume/Tuning Control/Select finché la frequenza desiderata non appare sul display.
5. Ruotare la manopola Volume/Tuning Control/Select per impostare il volume audio desiderato.
6. Per spegnere la radio, premere il pulsante Power.

Modalità di visualizzazione – FM

La radio presenta diverse opzioni di visualizzazione per la modalità radio FM:

Continuare a premere il pulsante Info per scorrere le varie opzioni.

- a. Stazione programma Visualizza il nome della stazione che si sta ascoltando.

- b. Testo della radio Visualizza il messaggio di testo della radio come nuove voci, ecc.
- c. Tipo del programma Visualizza il tipo di stazione che si sta ascoltando (ad esempio Pop, Classica, Notizie, ecc.).
- d. Ora e data Visualizza l'ora e la data correnti.
- e. Frequenza Visualizza la frequenza del segnale FM.

Memorizzazione delle stazioni nelle memorie di preselezione (DAB e FM)

Sono disponibili 5 memorie di preselezione per ogni banda.

1. Premere il pulsante Power per accendere la radio.
2. Sintonizzarsi sulla stazione desiderata utilizzando uno dei metodi sopradescritti.
3. Tenere premuto il pulsante Preset desiderato fino a visualizzare il numero di preselezione sul display, ad esempio "P2 Saved" (P2 salvato). La stazione viene quindi memorizzata nel pulsante Preset scelto.
4. Ripetere la procedura per le rimanenti preselezioni.
5. Le stazioni archiviate nelle memorie di preselezione possono essere sovrascritte attenendosi alle procedure sopra descritte.

Selezione delle stazioni dalle memorie di preselezione (DAB e FM)

1. Premere il pulsante Power per accendere la radio.
2. Premere il pulsante Band per selezionare la banda d'onda desiderata.
3. Premere momentaneamente il pulsante Preset desiderato: sul display vengono visualizzati il numero di preselezione e la frequenza della stazione.

Opzioni lingua (disponibile solo per DMR105)

Sono disponibili quattro opzioni di lingua nella radio: inglese, tedesco, italiano e francese.

1. Premere il pulsante Advanced setting.
2. Ruotare la manopola Volume/Tuning Control/Select finché "Language" (Lingua) non appare sul display. Premere la manopola Volume/Tuning Control/Select per attivare l'impostazione.
3. Ruotare la manopola Volume/Tuning Control/Select per scegliere la lingua desiderata. Premere la manopola Volume/Tuning Control/Select per confermare l'impostazione.

Controllo luminosità

È possibile regolare la retroilluminazione del display.

1. Premere il pulsante Advanced setting.
2. Ruotare la manopola Volume/Tuning Control/Select finché "Backlight" (Retroilluminazione) non appare sul

display. Premere la manopola Volume/Tuning Control/Select per attivare l'impostazione.

3. Ruotare la manopola Volume/Tuning Control/Select per abilitare o disabilitare la funzione di retroilluminazione, quindi premere la manopola Volume/Tuning Control/Select per confermare l'impostazione.

Ripristino del sistema

Se la radio non funziona correttamente, oppure se alcune cifre sul display mancano o sono incomplete, è possibile provare a eseguire la seguente procedura.

1. Premere il pulsante Advanced setting.
2. Ruotare la manopola Volume/Tuning Control/Select finché "Factory Reset" (Ripristino valori di fabbrica) non appare sul display. Premere la manopola Volume/Tuning Control/Select per attivare l'impostazione.
3. Ruotare la manopola Volume/Tuning Control/Select per scegliere "Yes" (Sì). Premere la manopola Volume/Tuning Control/Select per confermare l'impostazione ed eseguire un ripristino completo.

Versione software

1. Premere il pulsante Advanced setting.
2. Ruotare la manopola Volume/Tuning Control/Select finché "SW Version" (Versione software) non appare sul display. Premere la manopola Volume/Tuning Control/Select per visualizzare la versione software installata nella radio.

Porta micro USB per aggiornamento software

In futuro potrebbero essere disponibili degli aggiornamenti software per la radio.

Quando diventano disponibili degli aggiornamenti software, essi sono reperibili nel **sito Web Makita** insieme alle informazioni su come aggiornare la radio.

Come utilizzare altri dispositivi audio

ATTENZIONE:

Scollare l'apparecchio prima di collegare altri dispositivi audio.

- Ci sono 2 prese AUX IN. La presa AUX IN 1 è collocata sul pannello frontale, mentre la presa AUX IN 2 si trova nel vano batteria.
- Collegare una sorgente mono o stereo (ad esempio, un lettore CD, MP3 o iPod) alla presa AUX IN 1 o alla presa AUX IN 2 mediante un cavo audio.
- Premere e rilasciare ripetutamente il pulsante Band fino a visualizzare "AU1" o "AU2" per attivare la funzione AUX.

MANUTENZIONE

ATTENZIONE:

- Evitare assolutamente di usare benzina, diluenti, solventi, alcol o sostanze simili. In caso contrario, potrebbero verificarsi scoloriture, deformazioni o incrinature.

Caratteristiche tecniche:

Alimentazione

Adattatore AC	DC 12 V 1 A, pin centrale positivo
Batteria	Batterie nichel-cadmio e nichel-metalidrato: 7,2 V - 18 V Batterie Makstar: 9,6 V - 18 V
Frequenza radio	FM 87,50 - 108 MHz DAB/DAB+ 174,928 - 239,200 MHz
Blocco canali DAB/DAB+	DAB (Band III) 5A-13F
Standard compatibile	DAB (DMR104) DAB/DAB+ (DMR105)

Circuito

Casse	3 pollici 8 ohm
Tensione	7,2 V: 0,5 W x 2, 9,6 V: 1 W x 2 10,8 V: 1,2 W x 2, 12 V: 1,5 W x 2 14,4 V: 2,2 W x 2, 18 V: 3,5 W x 2
Terminale d'ingresso	diametro 3,5 mm (AUX IN1/AUX IN2)
Sistema antenna	DAB/FM: antenna morbida
Dimensioni (larghezza x altezza x profondità) in mm	280 x 302 x 163
Peso	4 kg (senza batteria)

NEDERLANDS (Originele instructies)

Symbolen

Hieronder staan de symbolen die voor het gereedschap worden gebruikt. Zorg ervoor dat u weet wat ze betekenen alvorens de accu te gebruiken.



Lees de gebruiksaanwijzing.



Cd
Ni-MH
Li-ion

Alleen voor EU-landen
Geef elektrisch gereedschap en accu's niet met het huisvuil mee!
Volgens de Europese richtlijn 2002/96/EC inzake oude elektrische en elektronische apparaten, 2006/66/EC inzake batterijen en accu's en oude batterijen en accu's en de toepassing daarvan binnen de nationale wetgeving, dienen gebruikt elektrisch gereedschap en accu's gescheiden te worden ingezameld en te worden afgevoerd naar een recyclebedrijf dat voldoet aan de geldende milieu-eisen.

BELANGRIJKE VEILIGHEIDSINSTRUCTIES

⚠ WAARSCHUWING:

Tijdens het gebruik van elektrische gereedschappen dienen altijd de basisveiligheidsvoorzorgen te worden genomen om het risico van brand, elektrische schokken en persoonlijk letsel te verkleinen, waaronder de volgende:

1. Lees deze gebruiksaanwijzing en die van de acculader voor gebruik aandachtig door.
2. Reinig uitsluitend met een droge doek.
3. Plaats het apparaat niet in de buurt van een verwarmingsbron, zoals een radiator, warmeluchtrooster, kookplaat of ander apparaat (waaronder een versterker) dat warmte produceert.
4. Sluit uitsluitend andere apparaten of accessoires aan die worden aanbevolen door de fabrikant.
5. Trek de stekker van het apparaat uit het stopcontact in geval van onweer met bliksem en indien het apparaat gedurende een lange tijd niet gaat worden gebruikt.
6. Een draagbare radio met inwendige batterijen of een losse accu mag alleen worden opgeladen met de aanbevolen batterij-/acculader. Een acculader die geschikt is voor een bepaald type accu, kan brandgevaar opleveren indien gebruikt met een ander type accu.
7. Gebruik de draagbare radio uitsluitend met de specifiek daarvoor bedoelde accu's. Door een ander type accu's te gebruiken, kan brandgevaar ontstaan.
8. Wanneer de accu niet in gebruik is, houdt u deze uit de buurt van andere metalen voorwerpen, zoals: paperclips, muntgeld, sleutels, spijkers, schroeven of andere kleine, metalen voorwerpen die een kortsluiting kunnen veroorzaken tussen de accupolen. Kortsluiting tussen de accupolen kan vonken, brandwonden of brand veroorzaken.

9. Voorkom lichamelijk contact met geaarde oppervlakken, zoals pijpen, radiatoren, fornuizen en koelkasten. De kans op een elektrische schok is groter wanneer uw lichaam is geaard.
10. Onder zware gebruiksomstandigheden kan vloeistof uit de accu/batterijen komen. Voorkom aanraking! Als u deze vloeistof per ongeluk aanraakt, wast u dit goed af met water. Als de vloeistof in uw ogen komt, raadpleegt u tevens een arts. Vloeistof uit de accu/batterijen kan irritatie en brandwonden veroorzaken.
11. De stekker van het NETSNOER moet worden gebruikt om het apparaat los te koppelen en dient altijd goed bereikbaar te zijn.

BEWAAR DEZE INSTRUCTIES

BELANGRIJKE VEILIGHEIDSINSTRUCTIES

VOOR ACCU'S

1. Alvorens de accu in gebruik te nemen, leest u eerst alle instructies en waarschuwingsopchriften op (1) de acculader, (2) de accu en (3) het apparaat waarin de accu wordt aangebracht.
2. Haal de accu niet uit elkaar.
3. Als de gebruikstijd aanzienlijk korter is geworden, stopt u onmiddellijk met het gebruik. Anders kan dit leiden tot kans op oververhitting, mogelijke brandwonden en zelfs een explosie.
4. Als de elektrolyt in uw ogen komt, wast u deze uit met schoon water en raadpleegt u onmiddellijk een arts. Dit kan leiden tot verlies van gezichtsvermogen.
5. Sluit de accu niet kort:
 - (1) Raak de accupolen niet aan met enig geleidend materiaal.
 - (2) Bewaar de accu niet op een plaats waar deze in aanraking kan komen met andere metalen voorwerpen, zoals spijkers, munten, enz.
 - (3) Stel de accu niet bloot aan water of regen. Kortsluiting van de accu kan leiden tot een hoge stroomsterkte, oververhitting, mogelijke brandwonden en zelfs een defect.
6. Bewaar het gereedschap en de accu niet op plaatsen waar de temperatuur kan oplopen tot 50 °C of hoger.
7. Werp de accu niet in een vuur, zelfs niet als deze al ernstig beschadigd of helemaal versleten is. De accu kan in een vuur exploderen.
8. Wees voorzichtig dat u de accu niet laat vallen of ergens tegenaan stoot.
9. Gebruik nooit een beschadigde accu.

Kenmerken:

- FM/DAB of DAB+
- Groot LCD-display met verlichting
- Handmatig afstemmen/Voorkeuzenders/Automatisch afstemmen
- Draaiknop voor afstemmen en volumeregeling
- 5 voorkeuzenders voor elke frequentieband
- Micro-USB-poort voor software-upgrade
- Stereoluidspreker voor hoogwaardige geluidswaergave
- Bijzonder duurzaam ontwerp

- Waterbestendig tot IPX 4
- Stroomvoorziening door Makita-accu en meegeleverde netspanningsadapter

Verklaring van het onderdelenoverzicht

Bedieningselementen

1. Aan-uitknop
2. Band-knop
3. Advanced-instelknop
4. Info-knop
5. Voorkeurzendeknop
6. Auto Tune-knop
7. Volumeknop/Afstemknop/Keuzeknop
8. DC IN-gelijkstroamingangsaanluiting
9. AUX IN 1-aansluiting
10. LCD-display
11. Flexibele staafantenne
12. Handgreep

13. Accuvak (voor hoofdaccu)
14. Luidspreker
15. Vergrendelhendel van accuvak
16. Ingangsaanluiting (AUX IN 2)
17. Accuaansluiting
18. Micro-USB-poort voor software-upgrade
19. Rode deel
20. Knop
21. Accu
22. Steunstang

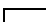

De accu plaatsen

Opmerking:

1. Trek aan de vergrendelhendel van het accuvak om het accuvak te ontgrendelen (**zie afb. 2**).
2. Breng de hoofdaccu aan om de radio van stroom te voorzien. In de onderstaande tabel vindt u de geschikte accu's voor deze radio.

De onderstaande tabel geeft de gebruikstijd aan per acculading.

Accuspanning						BIJ LUIDSPREKERUITGANG = 50 mW + 50 mW eenheid: uur
7,2 V	9,6 V	10,8 V	12 V	14,4 V	18 V	
BL7010						Ong. 4,5
	PA09		PA12	PA14	PA18	Ong. 6,5
	9050		1250	1450	1850	
	9051		1251	1452	1852	
	9100		1200	1420	BL1815	
	9120	BL1013	1220	BL1415		
	9100A		1200A			
					BL1815N	Ong. 9,0
	9102		1202	1422	1822	Ong. 10,0
	9122		1222	BH1420		
	9102A		1202A			
	BH9020		BH1220			
	BH9020A		BH1220C			
	9134		1234	1434	1834	Ong. 14,5
				BH1427		Ong. 15,0
	9135		1235	1435	1835	Ong. 17,0
				1435F	BL1830	
			1235F	BL1430		
	BH9033		BH1233	BH1433		Ong. 18,0
	BH9033A		BH1233C			
				BL1440	BL1840	Ong. 24,0

-  : Blokaccu
 : Schuifaccu

⚠ WAARSCHUWING:
Gebruik geen twee hoofdaccu's tegelijk.

3-1. Een schuifaccu aanbrengen en verwijderen (**zie afb. 4**)

- Om de accu aan te brengen, lijnt u de lip op de accu uit met de groef in de behuizing en duwt u de accu op zijn plaats. Steek de accu zo ver mogelijk in het gereedschap tot u een klikgeluid hoort.

- Als u het rode deel aan de bovenkant van de knop kunt zien, is de accu niet goed aangebracht. Breng de accu zo ver mogelijk aan tot het rode deel niet meer zichtbaar is. Als u dit niet doet, kan de accu per ongeluk uit het gereedschap vallen en u of anderen in uw omgeving verwonden.
- Oefen geen grote kracht uit bij het aanbrengen van de accu. Als de accu niet gemakkelijk erin kan worden geschoven, wordt deze niet goed aangebracht.
- Om de accu te verwijderen, verschuift u de knop aan de voorkant van de accu of drukt u op de knoppen aan beide zijden van de accu en schuift u tegelijkertijd de accu van het gereedschap af.

⚠ WAARSCHUWING:
Gebruik geen twee hoofdaccu's tegelijk.

3-2. Een blokaccu aanbrengen en verwijderen (zie afb. 5 t/m 9)

- Houd de steunstang omlaag geduwd zodat de accu in de aansluiting kan worden gestoken.
 - Om de accu te plaatsen, lijnt u de lip op de accu uit met de groef in de behuizing en duwt u de accu op zijn plaats.
 - Laat de steunstang los.
 - Om de accu te verwijderen, trekt u de steunstang omlaag en trekt u de accu uit de aansluiting.
4. Zet de vergrendelhendel van het accuvak terug op zijn oorspronkelijke plaats.
5. Lager vermogen, vervorming en een stotterend geluid zijn tekenen die erop wijzen dat de hoofdaccu moet worden vervangen.

Opmerking:

De accu kan niet worden opgeladen met de bijgeleverde netspanningsadapter.

De flexibele staafantenne aanbrengen (zie afb. 10 en 11)

Plaats de flexibele staafantenne zoals aangegeven in de afbeelding.

Opmerking:

In het accuvak is een klem aangebracht voor het vastzetten van de verwijderde antenne.

De bijgeleverde netspanningsadapter gebruiken (zie afb. 12)

Open de rubberen beschermcap en sluit de stekker van de netspanningsadapter aan op de gelijkstroomingangs-aansluiting op de voorkant van de radio. Steek de netspanningsadapter in een standaard stopcontact. Bij gebruik van de netspanningsadapter wordt de accu automatisch losgekoppeld. De netspanningsadapter moet losgekoppeld zijn van de netvoeding wanneer u deze niet gebruikt.

De radio bedienen

Deze radio heeft drie afstemmethoden - automatisch afstemmen, handmatig afstemmen en voorkeurzenders oproepen.

Een zender selecteren – DAB

1. Druk op de aan-uitknop om de radio in te schakelen.
2. Kies de gewenste DAB-functie door op de Band-knop te drukken.
3. Druk op de Advanced-instelknop en draai de Volumeknop/Afstemknop/Keuzeknop totdat "Station List" (Zenderlijst) knippert op het display. Druk op de Volumeknop/Afstemknop/Keuzeknop om de lijst met zenders op te roepen.
4. Draai de Volumeknop/Afstemknop/Keuzeknop om de lijst met zenders te doorlopen. Druk op de knop om een zender te selecteren.
5. Stel het gewenste volumeniveau in door de Volumeknop/Afstemknop/Keuzeknop te draaien.

Displayweergave – DAB

Uw radio heeft meerdere displayweergavemogelijkheden in de DAB-functie:

Druk op de Info-knop om de diverse mogelijkheden te doorlopen met de volgende letteraanduiding (a. t/m g.).

- a. Zendernaam Geeft de zendernaam aan waarnaar u luistert.
- b. Programmatype Geeft het type zender aan waarnaar u luistert, bijvoorbeeld Pop, Klassiek, Nieuws, enz.
- c. Multiplexnaam Geeft de naam van de DAB-multiplex aan waartoe de huidige zender behoort.
- d. Tijd en datum Geeft de huidige tijd en datum aan.
- e. Frequentie en kanaal Geeft de frequentie en het kanaalnummer aan van de DAB-zender waarop momenteel is afgestemd.
- f. Bitsnelheid/audiotype Geeft de bitsnelheid van de digitale audio en het audiotype aan van de DAB-zender waarop momenteel is afgestemd.
- g. Signaalsterkte Geeft de signaalsterkte aan van de DAB-zender waarop momenteel is afgestemd.

Nieuwe zenders zoeken – DAB

Af en toe kunnen nieuwe DAB-zenders beschikbaar komen. Of misschien bent u verhuisd naar een ander deel van het land. In dergelijke gevallen kunt u met uw radio automatisch zoeken naar nieuwe zenders.

Om de radio de beschikbare zenders te kunnen laten vinden, adviseren wij u alle frequenties van de DAB Band III af te zoeken.

1. Druk op de Auto Tune-knop.
2. Uw radio zoekt alle DAB-frequenties af. Naarmate nieuwe zenders worden gevonden, loopt de zenderteller aan de linkerkant van het display op en worden zenders toegevoegd aan de lijst.

Handmatig afstemmen – DAB

Met handmatig afstemmen kunt u uw radio afstemmen op een bepaalde DAB-frequentie van Band III. Deze functie kan ook worden gebruikt om te helpen bij het positioneren van de antenne of de radio voor de beste ontvangst van een bepaald kanaal of een bepaalde frequentie.

1. Druk op de Advanced-instelknop en draai de Volumeknop/Afstemknop/Keuzeknop totdat "Manual Tune" (Handmatig afstemmen) knippert op het display. Druk op de Volumeknop/Afstemknop/Keuzeknop om de handmatig-afstemfunctie op te roepen.
2. Draai de Volumeknop/Afstemknop/Keuzeknop om het gewenste DAB-kanaal te selecteren. Druk op de Volumeknop/Afstemknop/Keuzeknop om de geselecteerde frequentie vast te leggen.

Dynamisch-bereikregeling (DRC) – DAB

De DRC-functie kan zachtere geluiden gemakkelijker verstaanbaar maken wanneer de radio wordt gebruikt in een luidruchtige omgeving door het dynamisch bereik van het geluidssignaal te verkleinen.

Er zijn drie compressieniveaus:

DRC 0 Er wordt geen compressie toegepast

DRC 1/2 Er wordt een gemiddelde compressie toegepast

DRC 1 Er wordt maximale compressie toegepast

1. Druk op de aan-uitknop om de radio in te schakelen.
2. Druk op de Band-knop om de DAB-band te selecteren.
3. Druk op de Advanced-instelknop en draai de Volumeknop/Afstemknop/Keuzeknop totdat "DRC Value" (DRC-waarde) wordt afgebeeld op het display. Druk daarna op de Volumeknop/Afstemknop/Keuzeknop om de instelling op te roepen. Het display beeldt de huidige DRC-waarde af.
4. Draai de Volumeknop/Afstemknop/Keuzeknop om de gewenste DRC-instelling te selecteren.
5. Druk daarna op de Volumeknop/Afstemknop/Keuzeknop om de instelling vast te leggen.

Zendervolgorde instellen – DAB

De radio heeft 3 zendervolgorde-instellingen waaruit u kunt kiezen. De instellingen voor de zendervolgorde zijn alfanumeriek, ensemble en geldige zender.

1. Druk op de Advanced-instelknop.
2. Draai de Volumeknop/Afstemknop/Keuzeknop totdat "Station order" (Zendervolgorde) wordt afgebeeld op het display, en druk daarna op de Volumeknop/Afstemknop/Keuzeknop om de instelling op te roepen.
3. Draai de Volumeknop/Afstemknop/Keuzeknop om een van de volgende instellingen te selecteren en druk op de knop om de instelling vast te leggen.

Alfanumeriek Sorteert de zenderlijst op alfanumerieke wijze 0 t/m 9, A t/m Z

Ensemble Organiseert de zenderlijst op DAB-multiplex

Geldig

Beeldt alleen die zenders af waarvan een signaal wordt ontvangen

Automatisch afstemmen – FM

1. Druk op de aan-uitknop om de radio in te schakelen.
2. Selecteer de gewenste frequentieband door op de Band-knop te drukken. Zorg dat de flexibele staafantenne in de juiste richting is geplaatst voor de beste FM-ontvangst. Probeer te vermijden dat de radio wordt gebruikt naast een computerscherm of andere apparatuur die storing veroorzaakt op de radio.
3. Druk op de Auto Tune-knop zodat de radio begint te zoeken en automatisch stopt wanneer een radiozender is gevonden. De radio blijft zoeken naar de volgende beschikbare zender tot de gebruiker weer op de Auto Tune-knop drukt om het zoeken te stoppen.
4. Draai de Volumeknop/Afstemknop/Keuzeknop om het gewenste volumeniveau te selecteren. Op het LCD-display worden de veranderingen in het volumeniveau afgebeeld.

Opmerking:

Om een gewenste zender te zoeken met behulp van de Volumeknop/Afstemknop/Keuzeknop, houdt u de Volumeknop/Afstemknop/Keuzeknop ingedrukt zodat de radio overschakelt naar automatisch afstemmen.

5. Druk op de aan-uitknop om de radio uit te schakelen.

FM-zoekbereik

In de FM-band kan de radio worden ingesteld op het zoeken naar lokale zenders of het zoeken naar alle zenders, inclusief radiozenders op grote afstand.

Handmatig afstemmen – FM

1. Druk op de aan-uitknop om de radio in te schakelen.
2. Druk op de Band-knop om de gewenste frequentieband te selecteren. Richt de antenne zoals hierboven beschreven.
3. Draai de Volumeknop/Afstemknop/Keuzeknop om de frequentie te veranderen met de volgende stapgrootte:
FM: 50 of 100 kHz

Opmerking:

Om een gewenste zender te zoeken met behulp van de Volumeknop/Afstemknop/Keuzeknop, houdt u de Volumeknop/Afstemknop/Keuzeknop ingedrukt zodat de radio overschakelt naar automatisch afstemmen.

4. Blijf de Volumeknop/Afstemknop/Keuzeknop draaien totdat de gewenste frequentie wordt afgebeeld op het display.
5. Draai de Volumeknop/Afstemknop/Keuzeknop om het gewenste volumeniveau te selecteren.
6. Druk op de aan-uitknop om de radio uit te schakelen.

Displayweergave – FM

Uw radio heeft meerdere displayweergavemogelijkheden voor de FM-frequentieband:

Druk herhaaldelijk op de Info-knop om de diverse mogelijkheden te doorlopen.

- Zendernaam Geeft de zendernaam aan waarnaar u luistert.
- Radiotekst Geeft een tekstbericht aan, zoals nieuwsberichten, enz.
- Programmatype Geeft het type zender aan waarnaar u luistert, bijvoorbeeld Pop, Klassiek, Nieuws, enz.
- Tijd en datum Geeft de huidige tijd en datum aan.
- Frequentie Geeft de frequentie aan van het FM-signaal.

Zenders opslaan in het voorkeuzendergeheugen (DAB en FM)

Voor elke frequentieband kunnen 5 voorkeuzenders worden opgeslagen.

- Druk op de aan-uitknop om de radio in te schakelen.
- Stem op de gewenste zender af door middel van één van de hierboven beschreven methoden.
- Houd de gewenste Voorkeuzenderknop ingedrukt tot het voorkeuzendernummer wordt afgebeeld op het display, bijvoorbeeld "P2 Saved" (P2 opgeslagen). De zender wordt vervolgens opgeslagen onder de geselecteerde Voorkeuzenderknop.
- Herhaal deze procedure voor de overige voorkeuzenderknoppen.
- Zenders die als voorkeuzender zijn opgeslagen kunnen worden overschreven door de hierboven beschreven procedure opnieuw te volgen.

Zenders oproepen uit het voorkeuzendergeheugen (DAB en FM)

- Druk op de aan-uitknop om de radio in te schakelen.
- Druk op de Band-knop om de gewenste frequentieband te selecteren.
- Druk kort op de gewenste Voorkeuzenderknop. Het voorkeuzendernummer en de zenderfrequentie worden afgebeeld op het display.

Taalkeuze (alleen beschikbaar op model DMR105)

Er zijn vier taalkeuzemogelijkheden beschikbaar in de radio: Engels, Duits, Italiaans en Frans.

- Druk op de Advanced-instelknop.
- Draai de Volumeknop/Afstemknop/Keuzeknop totdat "Language" (Taal) wordt afgebeeld op het display. Druk op de Volumeknop/Afstemknop/Keuzeknop om de instelling op te roepen.
- Draai de Volumeknop/Afstemknop/Keuzeknop om de gewenste taal te selecteren. Druk daarna op de Volumeknop/Afstemknop/Keuzeknop om de instelling vast te leggen.

Helderheidsregeling

De achtergrondverlichting van het display kan worden ingesteld.

- Druk op de Advanced-instelknop.
- Draai de Volumeknop/Afstemknop/Keuzeknop totdat "Backlight" (Achtergrondverlichting) wordt afgebeeld op het display. Druk op de Volumeknop/Afstemknop/Keuzeknop om de instelling op te roepen.
- Draai de Volumeknop/Afstemknop/Keuzeknop om te kiezen tussen het inschakelen en uitschakelen van de achtergrondverlichtingsfunctie, en druk daarna op de Volumeknop/Afstemknop/Keuzeknop om de instelling vast te leggen.

De radio terugstellen

Als de radio niet juist werkt, of enkele tekens op het display geheel of gedeeltelijk ontbreken, voert u de volgende procedure uit.

- Druk op de Advanced-instelknop.
- Draai de Volumeknop/Afstemknop/Keuzeknop totdat "Factory Reset" (Terugstellen op fabrieksinstellingen) wordt afgebeeld op het display. Druk op de Volumeknop/Afstemknop/Keuzeknop om de instelling op te roepen.
- Draai de Volumeknop/Afstemknop/Keuzeknop om "Yes" (Ja) te selecteren. Druk op de Volumeknop/Afstemknop/Keuzeknop om de instelling vast te leggen, waarna de radio volledig wordt teruggesteld.

Softwareversie

- Druk op de Advanced-instelknop.
- Draai de Volumeknop/Afstemknop/Keuzeknop totdat "SW Version" (Softwareversie) wordt afgebeeld op het display. Druk op de Volumeknop/Afstemknop/Keuzeknop om de softwareversie die in de radio is geïnstalleerd af te beelden op het display.

Micro-USB-poort voor software-upgrade

In de toekomst komt mogelijk nieuwe software voor uw radio beschikbaar.

Wanneer nieuwe software beschikbaar komt, zal de software en informatie over het installeren ervan op uw radio worden gepubliceerd op de **Makita-website**.

Andere audioapparaten afspelen

LET OP:

Trek de stekker van het netsnoer van dit apparaat uit het stopcontact voordat u andere audioapparaten aansluit.

- Er zijn 2 AUX IN-aansluitingen. AUX IN 1 bevindt zich op het voorpaneel en AUX IN 2 bevindt zich in het accuvak.
- Sluit een stereo- of monobron (bijv. een iPod, MP3 of cd-speler) met behulp van een audiokabel aan op de AUX IN 1- of AUX IN 2-aansluiting.
- Druk herhaaldelijk op de Band-knop tot "AU1" of "AU2" wordt afgebeeld op het display als teken dat de AUX-functie is geactiveerd.

ONDERHOUD

LET OP:

- Gebruik nooit benzine, wasbenzine, thinner, alcohol, enz. Dit kan leiden tot verkleuren, vervormen of barsten.

Technische gegevens:

Voeding

Netspanningsadapter	12 V DC, 1 A, middenpen positief
Accu	Blokaccu: 7,2 V - 18 V Schuifaccu: 9,6 V t/m 18 V
Frequentiebereik	FM 87,50 - 108 MHz DAB/DAB+ 174,928 - 239,200 MHz
DAB/DAB+-kanaalvergrenzeling	DAB (Band III) 5A-13F
Compatibele norm	DAB (DMR104) DAB/DAB+ (DMR105)

Circuitfunctie

Luidspreker	3 inch, 8 ohm
Uitgangsvermogen	7,2 V: 0,5 W x 2, 9,6 V: 1 W x 2 10,8 V: 1,2 W x 2, 12 V: 1,5 W x 2 14,4 V: 2,2 W x 2, 18 V: 3,5 W x 2
Ingangsaansluiting	diameter 3,5 mm (AUX IN 1/AUX IN 2)
Antennesysteem	DAB/FM: flexibele staafantenne
Afmetingen (b x h x d) in mm	280 x 302 x 163
Gewicht	4 kg (zonder accu)

ESPAÑOL (Instrucciones originales)

Símbolos

Se utilizan los siguientes símbolos para el equipo. Asegúrese de que comprende su significado antes del uso.



Lea el manual de instrucciones.



Cd
Ni-MH
Li-ion

Sólo para países de la UE
¡No deseche el aparato eléctrico o la batería junto con los residuos domésticos!
De conformidad con la Directiva Europea 2002/96/CE sobre residuos de aparatos eléctricos y electrónicos, 2006/66/CE sobre baterías y acumuladores y su aplicación de acuerdo con la legislación nacional, la herramienta eléctrica y la batería cuya vida útil hayan llegado a su fin se deberán recoger por separado y trasladar a una planta de reciclaje que cumpla con las exigencias ecológicas.

INSTRUCCIONES IMPORTANTES DE SEGURIDAD

⚠ ADVERTENCIA:

Cuando se utilicen herramientas eléctricas siempre deben tomarse precauciones de seguridad para reducir el riesgo de incendio, descargas eléctricas y lesiones personales, incluyendo las siguientes:

1. Lea con atención este manual de instrucciones y el manual de instrucciones del cargador antes de su uso.
2. Limpie solamente con un paño seco.
3. No realice la instalación cerca de fuentes de calor como radiadores, rejillas de aire caliente, estufas u otros aparatos (incluyendo amplificadores) que generen calor.
4. Utilice únicamente los complementos y accesorios especificados por el fabricante.
5. Desenchufe este aparato durante tormentas eléctricas o cuando no se utilice durante períodos de tiempo prolongados.
6. Una radio a batería con baterías integrales o un paquete de baterías independiente se debe recargar solamente con el cargador especificado para la batería. Un cargador que puede ser adecuado para un tipo de batería puede crear un riesgo de incendio cuando se usa con otra batería.
7. Utilice la radio a batería únicamente con los paquetes de batería designados específicamente. El uso de cualquier otra batería puede crear un riesgo de incendio.
8. Cuando no se utilice el paquete de baterías, manténgalo alejado de objetos metálicos como: clips de papel, monedas, llaves, clavos u otros objetos metálicos que puedan establecer una conexión entre dos terminales. El cortocircuito de los terminales de la

batería puede provocar chispas, quemaduras o un incendio.

9. Evite el contacto corporal con superficies con conexión a tierra (a masa), tales como tuberías, radiadores, fogones de cocina y frigoríficos. Se corre más riesgo de sufrir una descarga eléctrica si su cuerpo tiene conexión a tierra (a masa).
10. Si no se utiliza correctamente, la batería puede expulsar líquido; evite cualquier contacto con dicho líquido. Si se produce un contacto accidental, enjuague con agua. Si el líquido entra en contacto con los ojos, solicite ayuda médica. El líquido expulsado de la batería puede provocar irritaciones o quemaduras.
11. La clavija de red se utiliza como dispositivo de desconexión y debe ser de fácil acceso.

GUARDE ESTAS INSTRUCCIONES

INSTRUCCIONES IMPORTANTES DE SEGURIDAD

PARA EL CARTUCHO DE LA BATERÍA

1. Antes de utilizar el cartucho de la batería, lea todas las instrucciones y referencias de precaución que se encuentran en (1) el cargador de la batería, (2) la batería y (3) el producto en el que se utiliza la batería.
2. No desmonte el cartucho de la batería.
3. Si el tiempo de funcionamiento es excesivamente corto, deje de utilizar la herramienta de inmediato. De lo contrario, existe el riesgo de sobrecalentamiento, quemaduras e incluso explosión.
4. Si se produce contacto ocular con electrolito, enjuáguese los ojos con agua limpia y acuda de urgencia al médico. Corre el riesgo de perder la visión.
5. No cortocircuite el cartucho de la batería:
 - (1) No toque los terminales con algún material conductor.
 - (2) Evite guardar el cartucho de la batería en un recipiente con otros objetos metálicos, como clavos, monedas, etc.
 - (3) No exponga el cartucho de la batería al agua o a la lluvia. Un cortocircuito puede provocar un elevado flujo de corriente, sobrecalentamiento, quemaduras o incluso una avería.
6. No almacene la herramienta ni el cartucho de la batería en lugares donde la temperatura supere los 50°C (122°F).
7. No queme el cartucho de la batería aunque esté gravemente dañado o completamente gastado. El cartucho de la batería puede explotar si entra en contacto con fuego.
8. Procure que la batería no sufra golpes ni caídas.
9. No utilice una batería dañada.

Características:

- FM/DAB o DAB+
- Gran pantalla LCD con iluminación
- Sintonización manual/Presintonía/Escaneado

- Control rotativo de sintonización y de volumen
- 5 presintonías de emisora para cada banda
- Puerto micro USB para actualización de software
- Altavoz estéreo con un excelente rendimiento de sonido
- Diseño extra resistente
- Resistente al agua de acuerdo con la norma IPX 4
- Alimentación por paquete de baterías o mediante el adaptador de alimentación de corriente alterna incluido de Makita

Explicación de los dibujos

Controles

1. Botón de encendido
2. Botón de banda
3. Botón de configuración avanzada
4. Botón de información
5. Botones de presintonías
6. Botón de sintonización automática
7. Mando de volumen/control de sintonización/selección
8. Enchufe de entrada de CC
9. ENTRADA AUX 1
10. Pantalla LCD
11. Antena de varilla flexible
12. Asidero
13. Compartimento de las baterías (cubre el paquete de batería principal)
14. Altavoz
15. Cierre del compartimento de las baterías
16. Terminal de entrada (ENTRADA AUX 2)
17. Compartimento de la batería principal
18. Puerto micro USB para actualización de software
19. Indicador rojo
20. Botón
21. Cartucho de la batería
22. Barra de soporte

Instalación de la batería

Nota:

1. Estire hacia fuera el cierre del compartimento de las baterías para liberar el compartimento de las baterías.
(Fig. 2)
2. Inserte la batería principal para proporcionar alimentación a la radio. Los paquetes de baterías adecuados se muestran en la tabla siguiente.

En la siguiente tabla se indica el tiempo de funcionamiento de una sola carga.

Tensión del cartucho de batería						EN LA SALIDA DEL ALTAVOZ = 50 mW + 50 mW unidad: Hora
7,2 V	9,6 V	10,8 V	12 V	14,4 V	18 V	
BL7010						Aprox. 4,5
	PA09		PA12	PA14	PA18	Aprox. 6,5
	9050		1250	1450	1850	
	9051		1251	1452	1852	
	9100		1200	1420	BL1815	
	9120	BL1013	1220	BL1415		
	9100A		1200A			
					BL1815N	Aprox. 9,0
	9102		1202	1422	1822	Aprox. 10,0
	9122		1222	BH1420		
	9102A		1202A			
	BH9020		BH1220			
	BH9020A		BH1220C			
	9134		1234	1434	1834	Aprox. 14,5
				BH1427		Aprox. 15,0
	9135		1235	1435	1835	Aprox. 17,0
				1435F	BL1830	
			1235F	BL1430		
	BH9033		BH1233	BH1433		Aprox. 18,0
	BH9033A		BH1233C			
				BL1440	BL1840	Aprox. 24,0

 : Grupo de baterías

 : Batería deslizante

⚠ ADVERTENCIA:

No utilice simultáneamente dos baterías principales.

3-1. Instalación o extracción del cartucho de la batería deslizante (Fig. 4)

- Para instalar el cartucho de la batería, alinee la lengüeta situada en el cartucho de la batería con la ranura del alojamiento e insértela. Insértela completamente hasta que quede firmemente encajada con un clic.
- Si puede ver el indicador rojo de la zona superior del botón, significa que el cartucho no está encajado completamente. Instálelo completamente hasta que el indicador rojo no esté visible. De lo contrario, el cartucho puede desprendirse accidentalmente de la herramienta y causar lesiones al operario o a alguna persona que se encuentre cerca.
- No haga fuerza al instalar el cartucho de la batería. Si el cartucho no entra con suavidad, significa que no lo está instalando correctamente.
- Para quitar el cartucho de la batería, mantenga pulsado el botón de la parte frontal del cartucho y retírelo o pulse los botones de ambos lados del cartucho.

⚠ ADVERTENCIA:

No utilice simultáneamente dos baterías principales.

3-2. Instalación o extracción del cartucho del grupo de baterías (Fig. 5-9)

- Tire de la barra de soporte para permitir que la batería se inserte en el terminal.
- Para insertar el cartucho de la batería, alinee la lengüeta situada en el cartucho de la batería con la ranura del alojamiento e insértela.
- Suelte la barra de soporte.
- Para sacar el cartucho de la batería, tire de la barra de soporte y extraiga la batería del terminal.
- 4. Vuelva a colocar el cierre del compartimento de las baterías en la posición original.
- 5. La disminución de potencia, la distorsión y un "sonido inestable" son algunos de los síntomas que indican que la batería se debe reemplazar.

Nota:

El paquete de baterías no se puede cargar mediante el adaptador de alimentación CA suministrado.

Instalación de la antena de varilla flexible (Fig. 10-11)

Instale la antena de varilla flexible tal y como se muestra en la figura.

Nota:

Hay un espacio en el compartimento de las baterías diseñado para almacenar la antena extraída.

Uso del adaptador de CA suministrado (Fig. 12)

Retire el protector de goma e inserte el enchufe adaptador en el conector de CC de la parte delantera de la radio. Enchufe el adaptador en una toma de corriente estándar de la red de alimentación. Siempre que se utilice el adaptador, el paquete de baterías se desconectará automáticamente. El adaptador de CA se debe desconectar de la red eléctrica cuando no se utilice.

Uso de la radio

Esta radio dispone de tres sistemas de sintonización: escaneado, manual y recuperación de presintonías en memoria.

Selección de una emisora – DAB

1. Pulse el botón de encendido para encender la radio.
2. Seleccione el modo DAB que desee pulsando el botón de banda.
3. Pulse el botón de configuración avanzada y gire el mando de volumen/control de sintonización/selección hasta que "Station List" (Lista de emisoras) parpadee en la pantalla. Pulse el mando de volumen/control de sintonización/selección para seleccionar en la lista de emisoras.
4. Gire el mando de volumen/control de sintonización/selección para desplazarse por la lista de emisoras disponibles. Pulse el mando para seleccionar una emisora.
5. Ajuste el volumen que desee girando el mando de volumen/control de sintonización/selección.

Modos de visualización – DAB

La radio tiene diferentes opciones de visualización en el modo DAB:

Pulse el botón de información para cambiar entre las distintas opciones correspondientes a las siguientes letras (a. - g.).

- a. Station name (Nombre de la emisora)
Indica el nombre de la emisora que se está escuchando.
- b. Program type (Tipo de programa)
Indica el tipo de emisora que se está escuchando, por ejemplo, Pop, Classic, News (Pop, Clásica, Noticias), etc.
- c. Multiplex name (Nombre multiplex)
Indica el nombre del multiplex DAB al que pertenece la emisora actual.

- d. Time & date (Fecha y hora)
Indica la hora y la fecha actuales.
- e. Frequency and channel (Frecuencia y canal)
Indica el número de frecuencia y de canal de la emisora DAB actualmente sintonizada.
- f. Bit rate/Audio type (Velocidad de bits/Tipo de audio)
Indica la velocidad de bits de audio digital y el tipo de audio de la emisora DAB actualmente sintonizada.
- g. Signal strength (Intensidad de la señal)
Indica la intensidad de señal de la emisora DAB actualmente sintonizada.

Búsqueda de nuevas emisoras – DAB

De vez en cuando se crean nuevas emisoras de radio DAB. O puede que deba trasladarse a otra parte del país. En ambos casos, deberá configurar la radio para que detecte nuevas emisoras.

Para que la radio pueda encontrar todas las emisoras disponibles, se recomienda realizar un escaneado completo de todas las frecuencias DAB en la banda III.

1. Pulse el botón de sintonización automática.
2. La radio realizará un escaneado completo de las frecuencias DAB. A medida que se encuentren emisoras nuevas, el contador de emisoras del lado izquierdo de la pantalla irá aumentando y las emisoras se añadirán a la lista.

Sintonización manual – DAB

La sintonización manual permite sintonizar la radio en una frecuencia DAB determinada en la banda III. Esta función también se puede usar para ayudar a orientar la antena o la radio a fin de optimizar la recepción de un canal o frecuencia específicos.

1. Pulse el botón de configuración avanzada y gire el mando de volumen/control de sintonización/selección hasta que "Manual Tune" (Sintonización manual) aparezca en la pantalla. Pulse el mando de volumen/control de sintonización/selección para entrar en el modo de sintonización manual.
2. Gire el mando de volumen/control de sintonización/selección para seleccionar el canal DAB que desee. Pulse el mando de volumen/control de sintonización/selección para confirmar la frecuencia elegida.

Control de gama dinámica (DRC) – DAB

La característica DRC permite que los sonidos más tenues sean audibles cuando la radio se utiliza en un entorno ruidoso, ya que reduce el rango dinámico de la señal de audio.

Hay tres niveles de compresión:

- | | |
|---------|---------------------------------|
| DRC 0 | No se aplica ninguna compresión |
| DRC 1/2 | Se aplica una compresión media |
| DRC 1 | Se aplica la compresión máxima |

1. Pulse el botón de encendido para encender la radio.
2. Pulse el botón de banda para seleccionar la banda DAB.

3. Pulse el botón de configuración avanzada y gire el mando de volumen/control de sintonización/selección hasta que "DRC Value" (Valor DRC) aparezca en la pantalla. A continuación, pulse el mando de volumen/control de sintonización/selección para introducir el ajuste. La pantalla mostrará el valor DRC actual.
4. Gire el mando de volumen/control de sintonización/selección para seleccionar el ajuste DRC que desee.
5. Pulse el mando de volumen/control de sintonización/selección para confirmar el ajuste.

Configuración del orden de las emisoras – DAB

La radio cuenta con 3 ajustes que puede seleccionar para ordenar las emisoras. Los ajustes de orden permiten organizar las emisoras alfanuméricamente (Alphanumeric), por multiplex DAB (Ensemble) y por señal válida (Valid).

1. Pulse el botón de configuración avanzada.
2. Gire el mando de volumen/control de sintonización/selección hasta que "Station order" (Orden de las emisoras) aparezca en pantalla y, a continuación, pulse de nuevo el mando de volumen/control de sintonización/selección para seleccionar el ajuste.
3. Gire el mando de volumen/control de sintonización/selección para seleccionar las siguientes opciones y púselo para confirmar el ajuste.

Alphanumeric	Ordena alfanuméricamente la lista de emisoras (0...9 A...Z)
Ensemble	Organiza la lista de emisoras por multiplex DAB
Valid	Muestra solamente las emisoras para las que se ha detectado una señal

Escaneado – FM

1. Pulse el botón de encendido para encender la radio.
2. Seleccione la banda de ondas que desee pulsando el botón de banda. Para lograr la mejor recepción de FM, asegúrese de que la antena de varilla flexible esté bien colocada. Evite usar la radio cerca de una pantalla de ordenador y otros equipos que puedan causar interferencias en la radio.
3. Pulse el botón de sintonización automática. La radio buscará y se detendrá automáticamente cuando encuentre una emisora de radio. La radio seguirá buscando la siguiente emisora disponible a menos que el operario pulse el botón de sintonización automática para detener el escaneado.
4. Gire el mando de volumen/control de sintonización/selección para obtener el nivel de sonido que desee. La pantalla LCD mostrará los cambios de nivel de sonido.

Nota:

Para usar el mando de volumen/control de sintonización/selección a fin de encontrar la emisora que desee, mantenga pulsado el mando de volumen/

control de sintonización/selección para cambiar al modo de control de sintonización.

5. Para apagar la radio, pulse el botón de alimentación.

Zona de escaneado FM

Cuando se utiliza el modo FM, la radio puede configurarse para escanear las emisoras locales o todas las emisoras, incluidas las que se encuentran a mucha distancia.

Sintonización manual – FM

1. Pulse el botón de encendido para encender la radio.
2. Pulse el botón de banda para seleccionar la banda de onda que desee. Ajuste la antena tal y como se ha descrito anteriormente.
3. Al girar el mando de volumen/control de sintonización/selección la frecuencia cambiará en los incrementos siguientes:

FM: 50 o 100 kHz

Nota:

Para usar el mando de volumen/control de sintonización/selección a fin de encontrar la emisora que desee, mantenga pulsado el mando de volumen/control de sintonización/selección para cambiar al modo de control de sintonización.

4. Siga girando el mando de volumen/control de sintonización/selección hasta que se muestre en pantalla la frecuencia que desee.
5. Gire el mando de volumen/control de sintonización/selección para obtener el nivel de sonido que desee.
6. Para apagar la radio, pulse el botón de alimentación.

Modos de visualización – FM

La radio tiene diferentes opciones de visualización para el modo de radio FM:

Pulse repetidamente el botón de información para cambiar entre las diferentes opciones.

- a. Program station (Emisora de programa)
Indica el nombre de la emisora que se está escuchando.
- c. Radio text (Texto de radio)
Indica un mensaje de texto, tales como nuevos elementos, etc.
- b. Program type (Tipo de programa)
Indica el tipo de emisora que se está escuchando, por ejemplo, Pop, Classic, News (Pop, Clásica, Noticias), etc.
- d. Time & date (Fecha y hora)
Indica la hora y la fecha actuales.
- e. Frequency (Frecuencia)
Indica la frecuencia de la señal FM.

Almacenamiento de emisoras en presintonías (DAB y FM)

Existen 5 presintonías para cada banda de frecuencia.

1. Pulse el botón de encendido para encender la radio.

2. Sintonice la emisora que desee mediante uno de los métodos descritos previamente.
3. Mantenga pulsado el botón de presintonía que desee hasta que el número de la presintonía aparezca en la pantalla, por ejemplo, "P2 Saved" (P2 guardado). La emisora se guarda en el botón de presintonía seleccionada.
4. Repita este procedimiento para las presintonías restantes.
5. Las emisoras guardadas en presintonías en memoria se pueden sobrescribir mediante los procedimientos anteriores.

Recuperación de emisoras en presintonías (DAB y FM)

1. Pulse el botón de encendido para encender la radio.
2. Pulse el botón de banda para seleccionar la banda de onda que desee.
3. Pulse el botón de presintonía que desee. El número de presintonía y la frecuencia de la emisora aparecerán en la pantalla.

Opciones de idioma (solo disponible en el modelo DMR105)

La radio dispone de cuatro opciones de idioma: inglés, alemán, italiano y francés.

1. Pulse el botón de configuración avanzada.
2. Gire el mando de volumen/control de sintonización/selección hasta que se muestre en pantalla "Language" (Idioma). Pulse el mando de volumen/control de sintonización/selección para seleccionar el ajuste.
3. Gire el mando de volumen/control de sintonización/selección para elegir el idioma que desee. Pulse el mando de volumen/control de sintonización/selección para confirmar el ajuste.

Control del brillo

La luz de fondo de la pantalla se puede ajustar.

1. Pulse el botón de configuración avanzada.
2. Gire el mando de volumen/control de sintonización/selección hasta que se muestre en pantalla "Backlight" (Luz de fondo). Pulse el mando de volumen/control de sintonización/selección para seleccionar el ajuste.
3. Gire el mando de volumen/control de sintonización/selección para activar o desactivar la función de luz de fondo y, a continuación, pulse el mando de volumen/control de sintonización/selección para confirmar el ajuste.

Reinicialización del sistema

Si la radio no funciona correctamente, o si faltan algunos dígitos de la pantalla o están incompletos, siga este procedimiento.

1. Pulse el botón de configuración avanzada.

2. Gire el mando de volumen/control de sintonización/selección hasta que se muestre en pantalla "Factory Reset" (Restablecimiento de valor de fábrica). Pulse el mando de volumen/control de sintonización/selección para seleccionar el ajuste.
3. Gire el mando de volumen/control de sintonización/selección para elegir "Yes" (Sí). Pulse el mando de volumen/control de sintonización/selección para confirmar el ajuste. Se realizará una reinicialización completa.

Versión de software

1. Pulse el botón de configuración avanzada.
2. Gire el mando de volumen/control de sintonización/selección hasta que se muestre en pantalla "SW Version" (Versión de software). Pulse el mando de volumen/control de sintonización/selección para ver la versión de software instalada en la radio.

Puerto micro USB para actualización de software

En un futuro es posible que haya disponibles actualizaciones de software.

A medida que las actualizaciones de software vayan estando disponibles, en el **sitio web de Makita** encontrará el software y la información necesaria para actualizar la radio.

Reproducción de otros tipos de audio

PRECAUCIÓN:

Desenchufe este aparato antes de conectar otros tipos de audio.

- Hay 2 tomas de ENTRADA AUX. La ENTRADA AUX 1 está ubicada en el panel frontal, mientras que la ENTRADA AUX 2 se encuentra en el compartimiento de las baterías.
- Conecte una fuente estéreo o mono (por ejemplo, un reproductor de CD, iPod, o MP3) a la ENTRADA AUX 1 o AUX 2 mediante un cable de audio.
- Pulse y suelte repetidamente el botón de banda hasta que se muestre "AU1" o "AU2". Esto indica que la función AUX está activada.

MANTENIMIENTO

PRECAUCIÓN:

- Nunca utilice gasolina, benceno, disolvente, alcohol o un producto similar. Se puede provocar una decoloración, una deformación o grietas.

Especificaciones:

Requisitos de alimentación

Adaptador de alimentación CA

Batería	CC 12 V 1A, clavija central positiva
	Grupo de baterías: 7,2 V - 18 V
	Batería deslizable: 9,6 V - 18 V

Cobertura de frecuencias

FM 87,50 - 108 MHz
DAB/DAB+ 174,928 - 239,200 MHz

Bloque de canales DAB/DAB+ DAB (Banda III) 5A-13F
Estándar compatible DAB (DMR104)
DAB/DAB+ (DMR105)

Características del circuito

Altavoz 3 pulgadas 8 ohmios
Potencia de salida 7,2 V: 0,5 W x 2, 9,6 V: 1 W x 2
10,8 V: 1,2 W x 2, 12 V: 1,5 W x 2
14,4 V: 2,2 W x 2, 18 V: 3,5 W x 2
Terminal de entrada 3,5 mm de diámetro
(ENTRADA AUX 1/
ENTRADA AUX 2)
Sistema de antena DAB/FM: antena de varilla flexible
Dimensiones (An x Al x Pr) en mm
280 x 302 x 163
Peso 4 kg (sin batería)

PORTUGUÊS (Instruções de origem)

Símbolos

Descrição dos símbolos utilizados no equipamento. Certifique-se de que compreende o seu significado, antes da utilização.



Leia o manual de instruções.



Cd
Ni-MH
Li-ion

Apenas para países da UE
Não deite equipamentos eléctricos ou a bateria no lixo doméstico!

De acordo com a directiva europeia 2002/96/EC sobre ferramentas eléctricas e electrónicas usadas, a directiva 2006/66/EC sobre baterias, acumuladores e baterias usadas e a sua aplicação para as leis nacionais, as ferramentas eléctricas e as baterias usadas devem ser recolhidas em separado e encaminhadas a uma instalação de reciclagem dos materiais ecológicos.

INSTRUÇÕES DE SEGURANÇA IMPORTANTES

⚠ AVISO:

Ao utilizar ferramentas eléctricas, devem ser sempre cumpridas as precauções de segurança básicas, de forma a reduzir o risco de incêndios, choques eléctricos e ferimentos, incluindo as que se seguem:

1. Leia atentamente este manual de instruções e o manual de instruções do carregador antes da utilização.
2. Limpe apenas com um pano seco.
3. Não instale próximo de fontes de calor como radiadores, bocas de ar quente, fornos ou outros aparelhos (incluindo amplificadores) que produzem calor.
4. Utilize apenas acessórios especificados pelo fabricante.
5. Desligue este aparelho durante trovoadas ou quando não o utilizar durante longos períodos de tempo.
6. Um rádio a bateria com bateria integrada ou uma bateria separada tem de ser recarregado apenas com o carregador especificado para a bateria. Um carregador que pode ser adequado para um tipo de bateria pode criar um risco de incêndio quando utilizado com outra bateria.
7. Utilize o rádio a bateria apenas com baterias especificamente concebidas. A utilização de qualquer outra bateria pode criar um risco de incêndio.
8. Quando a bateria não está a ser utilizada, mantenha-a afastada de outros objectos de metal, tal como: clips, moedas, chaves, pregos, parafusos ou outros objectos de metal pequenos que podem fazer a ligação de um terminal a outro. Provocar um curto-circuito nos terminais da bateria pode causar faíscas, queimaduras ou um incêndio.
9. Evite contacto corporal com superfícies ligadas à terra, tais como tubos, radiadores, aquecedores e

- frigoríficos. Existe um risco acrescido de choques eléctricos caso o seu corpo esteja ligado à terra.
10. Sob condições abusivas, poderá ser ejectado líquido da bateria; evite o contacto. Se ocorrer acidentalmente um contacto, lave com água. Se o líquido entrar em contacto com os olhos, consulte um médico. O líquido ejectado da bateria pode causar irritação ou queimaduras.
11. A ficha de ALIMENTAÇÃO é utilizada como o dispositivo para desligar, e deve permanecer prontamente operável.

GUARDE ESTAS INSTRUÇÕES

INSTRUÇÕES DE SEGURANÇA IMPORTANTES

RELATIVAS À BATERIA

1. Antes de utilizar a bateria, leia as instruções e chamadas de atenção de: (1) o carregador da bateria, (2) a bateria e (3) o produto que utiliza a bateria.
2. Não desmonte a bateria.
3. Se o tempo de utilização com a bateria se tornar demasiado curto, deve parar imediatamente. Se continuar, pode causar sobreaquecimento, incêndio e mesmo explosão.
4. Se o electrólito entrar em contacto com os olhos, enxague-os com água limpa e consulte imediatamente um médico. Os riscos incluem perda de visão.
5. Não provoque um curto-circuito na bateria:
 - (1) Não deixe que quaisquer materiais condutores entrem em contacto com os terminais da bateria.
 - (2) Evite guardar a bateria juntamente com outros objectos de metal como moedas, por exemplo.
 - (3) Não exponha a bateria a água ou chuva. Um curto-circuito na bateria pode criar uma grande carga eléctrica, sobreaquecimento, fogo e uma quebra da corrente.
6. Não guarde a ferramenta e a bateria em locais onde a temperatura possa atingir ou exceder 50°C.
7. Não incinere a bateria, nem mesmo se esta estiver irremediavelmente danificada ou completamente gasta. Pode explodir e causar um incêndio.
8. Não a deixe cair e evite o choque com outros objectos.
9. Não utilize uma bateria danificada.

Características

- FM/DAB ou DAB+
- Visor LCD grande, com iluminação
- Manual/Predefinir/Pesquisa de sintonia
- Sintonia rotativa e controlo de volume
- 5 estações predefinidas para cada banda
- Porta Micro USB para actualização do software
- Altifalante estéreo, de altíssimo desempenho em áudio
- Concepção ultra irregular
- Resistente à água para o JIS 4
- Alimentado por baterias Makita e adaptador de alimentação fornecido

Descrição geral

Controlos

1. Botão de alimentação
2. Botão de banda
3. Botão de definição avançada
4. Botão de informação
5. Botão de memorização
6. Botão de sintonização automática
7. Manípulo de Volume/Comando Sintonização/Selector
8. Tomada de entrada de CC
9. AUX IN 1
10. Visor LCD
11. Antena flexível de haste regulável
12. Pega
13. Compartimento da bateria (cobertura da bateria principal)
14. Altifalante

15. Bloqueio do compartimento das baterias
16. Terminal de entrada (AUX IN 2)
17. Compartimento da bateria
18. Porta Micro USB para actualização do software
19. Indicador vermelho
20. Botão
21. Bateria
22. Barra de suporte

Instalação da bateria


Nota:

1. Retire o bloqueio do compartimento das baterias para libertar o compartimento das baterias. (Fig. 2)
2. Insira a bateria principal para alimentar o rádio. As baterias adequadas para este rádio estão listadas na tabela seguinte.

As tabelas seguintes indicam o tempo de funcionamento numa única carga.

Tensão da bateria						NA SAÍDA DO ALTIFALANTE= 50 mW + 50 mW unidade: Hora
7,2 V	9,6 V	10,8 V	12 V	14,4 V	18 V	
BL7010						Aprox. 4,5
	PA09		PA12	PA14	PA18	Aprox. 6,5
	9050		1250	1450	1850	
	9051		1251	1452	1852	
	9100		1200	1420	BL1815	
	9120	BL1013	1220	BL1415		
	9100A		1200A			
					BL1815N	Aprox. 9,0
	9102		1202	1422	1822	Aprox. 10,0
	9122		1222	BH1420		
	9102A		1202A			
	BH9020		BH1220			
	BH9020A		BH1220C			
	9134		1234	1434	1834	Aprox. 14,5
				BH1427		Aprox. 15,0
	9135		1235	1435	1835	Aprox. 17,0
				1435F	BL1830	
			1235F	BL1430		
	BH9033		BH1233	BH1433		Aprox. 18,0
	BH9033A		BH1233C			
				BL1440	BL1840	Aprox. 24,0

 : Bateria de grupo

 : Bateria de deslize

AVISO:

Não utilize duas baterias principais ao mesmo tempo.

3-1. Instalação ou remoção da bateria de deslize (Fig. 4)

- Para colocar a bateria, alinhe a respectiva saliência com a calha do compartimento e encaixe-a

suavemente. Insira-a completamente até fixar em posição com um clique.

- Se ainda estiver visível o indicador vermelho na parte superior do botão, não estará bem encaixado. Coloque-a completamente, até deixar de ver o indicador vermelho. Caso contrário, pode cair da ferramenta e causar ferimentos em si, ou em alguém que esteja perto de si.

- Não exerça força ao colocar a bateria. Se não encaixar facilmente é porque não está correctamente posicionada.
- Para retirar a bateria, deslize-a da ferramenta ao mesmo tempo que desliza o botão na parte frontal do cartucho ou ao mesmo tempo que prime os botões em ambos os lados do cartucho.

⚠ AVISO:
Não utilize duas baterias principais ao mesmo tempo.

3-2. Instalação ou remoção da bateria de grupo (Fig. 5-9)

- Puxe a barra de suporte para permitir a introdução da bateria no terminal.
 - Para colocar a bateria, alinhe a respectiva saliência com a calha do compartimento e encaixe-a suavemente.
 - Liberte a barra de suporte.
 - Para retirar a bateria, puxe a barra de suporte e retire a bateria do terminal.
4. Coloque o bloqueio do compartimento das baterias na posição original.
5. Alimentação reduzida, distorção e um “som intermitente” são sinais de que a bateria principal precisa de ser substituída.

Nota:

A bateria não pode ser carregada com o adaptador de alimentação CA.

Instalação de antena flexível de haste regulável (Fig. 10-11)

Instale a antena flexível de haste regulável, conforme indicado na figura.

Nota:

Existe um encaixe no compartimento das baterias concebido para armazenar a antena removida.

Utilização do adaptador de alimentação CA fornecido (Fig. 12)

Remova o protector de borracha e coloque a ficha do adaptador na tomada CC que se encontra na parte frontal do rádio. Ligue o adaptador a uma tomada de alimentação normal. Sempre que o adaptador é usado, a bateria é automaticamente desligada. O adaptador CA deve ser desligado da fonte de alimentação quando não estiver a ser utilizado.

Utilizar o rádio

Este rádio tem três métodos de sintonia – pesquisa de sintonia, sintonia manual e chamada de pré-sintonias de memória.

Seleccionar uma estação – DAB

1. Prima o botão de alimentação para ligar o rádio.
2. Seleccione o modo DAB premindo o botão de banda.

3. Prima o botão de definição avançada e rode o manípulo de Volume/Comando Sintonização/Selector até que a indicação “Station List” (Lista de estações) seja apresentada intermitentemente no ecrã. Prima o manípulo de Volume/Comando Sintonização/Selector para entrar na lista de estações.
4. Rode o manípulo de Volume/Comando Sintonização/Selector para percorrer a lista de estações disponíveis. Prima o manípulo para seleccionar a estação.
5. Ajuste o volume pretendido rodando o manípulo de Volume/Comando Sintonização/Selector.

Modos de apresentação – DAB

O rádio tem uma gama de opções de apresentação no modo DAB:

Prima o botão de informação para percorrer as várias opções apresentadas nas letras que se seguem (a. a g.).

- | | |
|--------------------------|------------------------------------------------------------------------------------------------------|
| a. Station name | Indica o nome da estação que está a ouvir. |
| b. Program type | Indica o tipo de estação que está a ouvir, como por exemplo Pop, Classics, News, etc. |
| c. Multiplex name | Indica o nome do multiplex DAB a que pertence a estação actual. |
| d. Time & date | Indica a hora e data actuais. |
| e. Frequency and channel | Indica a frequência e o número do canal para a estação DAB actualmente sintonizada. |
| f. Bit rate/Audio type | Indica a taxa de bits de áudio digital e o tipo de áudio para a estação DAB actualmente sintonizada. |
| g. Signal strength | Indica a força do sinal para a estação DAB actualmente sintonizada. |

Encontrar novas estações – DAB

De vez em quando, podem ser disponibilizadas novas estações de rádio DAB. Ou pode mudar-se para outra região do país. Neste caso, pode ter de activar o rádio para pesquisar novas estações.

Para que o rádio encontre as estações disponíveis, é recomendável realizar uma pesquisa completa de todas as frequências DAB Banda III.

1. Prima o botão de sintonização automática.
2. O rádio realiza uma pesquisa completa das frequências DAB. À medida que as novas estações são encontradas, o contador de estações no lado esquerdo do visor aumenta e as estações são adicionadas à lista.

Sintonia manual – DAB

A sintonização manual permite-lhe sintonizar o rádio para uma determinada frequência DAB na Banda III. Esta função também pode ser utilizada para auxiliar no posicionamento da antena ou do rádio, de modo a

optimizar a recepção para um canal ou frequência específicos.

1. Prima o botão de definição avançada e rode o manípulo de Volume/Comando Sintonização/Selector até que a indicação "Manual Tune" (Sintonização Manual) seja apresentada no visor. Prima o manípulo de Volume/Comando Sintonização/Selector para entrar no modo de sintonização manual.
2. Rode o manípulo de Volume/Comando Sintonização/Selector para seleccionar o canal DAB pretendido. Prima o manípulo de Volume/Comando Sintonização/Selector para confirmar a frequência pretendida.

Controlo de gama dinâmica (Dynamic Range Control, DRC) – DAB

A funcionalidade DRC pode fazer com que seja mais fácil ouvir os sons mais silenciosos quando o rádio for utilizado num ambiente ruidoso, reduzindo a gama dinâmica do sinal de áudio.

Existem três níveis de compressão:

- DRC 0 Nenhuma compressão aplicada.
DRC 1/2 Compressão média aplicada.
DRC 1 Compressão máxima aplicada.

1. Prima o botão de alimentação para ligar o rádio.
2. Prima o botão de banda para seleccionar a banda DAB.
3. Prima o botão de definição avançada e rode o manípulo de Volume/Comando Sintonização/Selector até que a indicação "DRC Value" (Valor DRC) seja apresentada no visor. De seguida, prima o manípulo de Volume/Comando Sintonização/Selector para introduzir a definição. O visor apresenta o valor DRC actual.
4. Rode o manípulo de Volume/Comando Sintonização/Selector para seleccionar a definição DRC pretendida.
5. Prima o manípulo de Volume/Comando Sintonização/Selector para confirmar a definição.

Configuração da ordem de estações – DAB

O rádio tem 3 definições de ordem de estações à escolha. As definições de ordem de estações são alphanumeric (alfanumérica), ensemble (conjunto) e valid (estação válida).

1. Prima o botão de definição avançada.
2. Rode o manípulo de Volume/Comando Sintonização/Selector até que a indicação "Station order" (Ordem de estações) seja apresentada no visor e, de seguida, prima o manípulo de Volume/Comando Sintonização/Selector para introduzir a definição.
3. Rode o manípulo de Volume/Comando Sintonização/Selector para seleccionar as opções que se seguem e prima o manípulo para confirmar a definição.

Alphanumeric Organiza a lista de estações por ordem alfanumérica 0...9 A...Z

Ensemble Organiza a lista de estações por multiplex DAB

Valid Apresenta apenas as estações para as quais é possível encontrar um sinal

Pesquisa de sintonia – FM

1. Prima o botão de alimentação para ligar o rádio.
2. Selecciona a onda pretendida premindo o botão de banda. Certifique-se de que a antena flexível de haste regulável foi bem colocada para a melhor recepção FM. Tente evitar utilizar o rádio perto de um ecrã de computador e outro equipamento que provoque interferências no rádio.
3. Prima o botão de sintonização automática para que o rádio pesquise e pare automaticamente quando encontrar uma estação de rádio. O rádio continuará a pesquisar a estação disponível seguinte a não ser que o operador prima o botão de sintonização automática para parar a pesquisa.
4. Rode o manípulo de Volume/Comando Sintonização/Selector para obter o nível do som pretendido. O visor LCD mostra as alterações do nível do som.
Nota:
Para utilizar o manípulo de Volume/Comando Sintonização/Selector para encontrar a estação pretendida, prima continuamente o manípulo de Volume/Comando Sintonização/Selector para passar ao modo de controlo de sintonização.
5. Para desligar o rádio, prima o botão de alimentação.

Zona de pesquisa FM

Ao utilizar o modo FM, o rádio pode ser definido para pesquisar estações locais ou para pesquisar todas as estações, incluindo estações de rádio distantes.

Sintonia manual – FM

1. Prima o botão de alimentação para ligar o rádio.
2. Prima o botão de banda para seleccionar a onda pretendida. Regule a antena como se descreve acima.
3. Rode o manípulo de Volume/Comando Sintonização/Selector para alterar a frequência com o incremento seguinte:
FM: 50 ou 100 kHz

Nota:

- Para utilizar o manípulo de Volume/Comando Sintonização/Selector para encontrar a estação pretendida, prima continuamente o manípulo de Volume/Comando Sintonização/Selector para passar ao modo de controlo de sintonização.
4. Mantenha a rotação do manípulo de Volume/Comando Sintonização/Selector até que a frequência pretendida seja apresentada no visor.
 5. Rode o manípulo de Volume/Comando Sintonização/Selector para obter o nível do som pretendido.
 6. Para desligar o rádio, prima o botão de alimentação.

Modos de apresentação – FM

O rádio tem uma gama de opções de apresentação para o modo de rádio FM:

Prima repetidamente o botão de informação para percorrer as diferentes opções.

- Program station Indica o nome da estação que está a ouvir.
- Radio text Indica mensagens de texto, tais como novos itens, etc.
- Program type Indica o tipo de estação que está a ouvir, tal como Pop, Classic, News, etc.
- Time & date Indica a hora e data actuais.
- Frequency Indica a frequência do sinal FM.

Memorizar estações em memórias predefinidas (DAB e FM)

Existem 5 memorizações para cada banda de onda.

- Prima o botão de alimentação para ligar o rádio.
- Sintonize a estação pretendida, usando um dos métodos anteriormente descritos.
- Prima continuamente o botão de memorização pretendido até que o número de memorização seja apresentado no visor, por exemplo, "P2 Saved". A estação é depois memorizada no botão de memorização seleccionado.
- Repita este procedimento para as memorizações restantes.
- As estações memorizadas podem ser substituídas seguindo os procedimentos descritos acima.

Chamar estações nas memórias predefinidas (DAB e FM)

- Prima o botão de alimentação para ligar o rádio.
- Prima o botão de banda para seleccionar a onda pretendida.
- Prima o botão de memorização pretendido momentaneamente, o número da memorização e a frequência da estação serão apresentados no visor.

Opções de idioma (apenas disponíveis em DMR105)

Estão disponíveis quatro opções de idioma no rádio: inglês, alemão, italiano e francês.

- Prima o botão de definição avançada.
- Rode o manípulo de Volume/Comando Sintonização/Selector até que a indicação "Language" (Idioma) seja apresentada no visor. Prima o manípulo de Volume/Comando Sintonização/Selector para introduzir a definição.
- Rode o manípulo de Volume/Comando Sintonização/Selector para seleccionar o idioma pretendido. Prima o manípulo de Volume/Comando Sintonização/Selector para confirmar a definição.

Controlo do brilho

A retroiluminação do visor pode ser ajustada.

- Prima o botão de definição avançada.
- Rode o manípulo de Volume/Comando Sintonização/Selector até que a indicação "Backlight" (Retroiluminação) seja apresentada no visor. Prima o manípulo de Volume/Comando Sintonização/Selector para introduzir a definição.
- Rode o manípulo de Volume/Comando Sintonização/Selector para optar por activar ou desactivar a função de retroiluminação e prima o manípulo de Volume/Comando Sintonização/Selector para confirmar a definição.

Reiniciação do sistema

Se o rádio não funcionar correctamente, ou se alguns dígitos no visor estiverem em falta ou incompletos, efectue o procedimento seguinte.

- Prima o botão de definição avançada.
- Rode o manípulo de Volume/Comando Sintonização/Selector até que a indicação "Factory Reset" (Reposição de fábrica) seja apresentada no visor. Prima o manípulo de Volume/Comando Sintonização/Selector para introduzir a definição.
- Rode o manípulo de Volume/Comando Sintonização/Selector para seleccionar "Yes". Prima o manípulo de Volume/Comando Sintonização/Selector para confirmar a definição e realizar uma reposição total.

Versão de software

- Prima o botão de definição avançada.
- Rode o manípulo de Volume/Comando Sintonização/Selector até que a indicação "SW Version" (Versão de software) seja apresentada no visor. Prima o manípulo de Volume/Comando Sintonização/Selector para ver qual é a versão de software instalada no rádio.

Porta Micro USB para actualização do software

No futuro, poderão ser disponibilizadas actualizações de software para o rádio.

À medida que as actualizações de software ficam disponíveis, o software disponível e as informações sobre como actualizar o rádio podem encontrar-se no **website da Makita**.

Como reproduzir outros aparelhos de som

PRECAUÇÃO:

Desligue o aparelho da tomada antes de ligar outros aparelhos de som.

- Existem 2 tomadas AUX IN. A tomada AUX IN 1 encontra-se no painel frontal e a tomada AUX IN 2 no compartimento da bateria.
- Ligue uma fonte estéreo ou mono (iPod, MP3 ou leitor de CD) à tomada AUX IN 1 ou AUX IN 2 através do cabo de áudio.

- Prima repetidamente e solte o botão de banda até que a indicação “AU1” ou “AU2” seja apresentada e a função AUX seja activada.

MANUTENÇÃO

PRECAUÇÃO:

- Nunca utilize gasolina, benzina, diluente, álcool ou semelhante. Podem formar-se descolorações, deformações ou fissuras.

Especificações:

Requisitos de alimentação

Adaptador de alimentação CA

CC12 V 1A, pino central positivo

Bateria Bateria de grupo: 7,2 V - 18 V

Bateria de deslize: 9,6 V - 18 V

Cobertura de frequências

FM 87,50 - 108 MHz

DAB/DAB+ 174,928 - 239,200 MHz

Bloco de canais DAB/DAB+

DAB (Banda III) 5A-13F

Padrão compatível DAB (DMR104)

DAB/DAB+ (DMR105)

Característica de circuito

Altifalante 3 polegadas 8 ohm

Potência de saída 7,2 V: 0,5 W x 2, 9,6 V: 1 W x 2

10,8 V: 1,2 W x 2, 12 V: 1,5 W x 2

14,4 V: 2,2 W x 2, 18 V: 3,5 W x 2

Terminal de entrada 3,5 mm de diâmetro

(AUX IN 1/AUX IN 2)

Sistema de antena DAB/FM: antena flexível de haste

regulável

Dimensão (L x A x P) em mm

280 x 302 x 163

Peso 4 kg (sem bateria)

DANSK (Originalvejledning)

Symboler

Her vises de symboler, der benyttes til udstyret. Vær sikker på, at du forstår deres betydning, før du bruger udstyret.



Læs brugsanvisningen.



Cd
Ni-MH
Li-ion

Kun for EU-lande

Elektrisk udstyr eller batteripakke må ikke bortskaffes sammen med almindeligt affald! I henhold til det europæiske direktiv 2002/96/EF om bortskaffelse af elektriske og elektroniske produkter, 2006/66/EF om batterier og akkumulatører og bortskaffelse af batterier og akkumulatører og deres implementering under gældende national lovgivning skal brugt elektrisk udstyr og batteripakker, der har udtjent deres levetid, indsamles separat og returneres til miljøgodkendt genindvinding.

VIGTIGE SIKKERHEDSINSTRUKTIONER

⚠ ADVARSEL:

Ved brug af elektriske maskiner skal de grundlæggende sikkerhedsforholdsregler altid overholdes for at reducere risikoen for brand, elektrisk stød og personskade, inklusive de følgende:

1. Læs denne brugsanvisning og brugsanvisningen til opladeren omhyggeligt igennem inden brug.
2. Foretag kun rengøring med en ren klud.
3. Installer ikke udstyret i nærheden af varmekilder som f.eks. radiatorer, indblæsningsriste, kakkellovne eller andre apparater (inklusive forstærkere) der producerer varme.
4. Brug kun ekstraudstyr/tilbehør som er specificeret af producenten.
5. Tag stikket til dette apparat ud under tordenvejr, eller når det ikke skal anvendes i længere tidsperioder.
6. En batteridrevet radio med indbygget batteri eller en separat batteripakke må kun oplades med den specificerede oplader til batteriet. En oplader, der muligvis passer til én type batteri, kan medføre risiko for brand, hvis den anvendes med et andet batteri.
7. Anvend kun batteridrevne radioer sammen med særligt designede batteripakker. Brug af andre batterier kan muligvis medføre en risiko for brand.
8. Når batteripakken ikke er i brug, skal den holdes væk fra andre metalgenstande som f.eks.: papirclips, mønter, nøgler, søm, skruer eller andre små metalgenstande, som kan forbinde den ene terminal med den anden. Kortslutning af batteriterminalerne kan medføre gnister, forbrændinger eller brand.
9. Undgå kropskontakt med jordforbundne overflader som rør, radiatorer, overflader og køleskabe. Hvis kroppen er jordforbundet, forøges risikoen for elektrisk stød.

10. Ved forkert behandling kan der sive væske ud fra batteriet; undgå kontakt. Hvis der opstår utilsigtet kontakt, skal du skylle med vand. Hvis du får væske i øjnene, skal du desuden søge lægehjælp. Væske fra batteriet kan forårsage irritation eller forbrændinger.
11. Stikket til el-nettet anvendes til at frakoble enheden, og det skal forblive nemt at betjene.

GEM DISSE INSTRUKTIONER

VIGTIGE SIKKERHEDSINSTRUKTIONER

FOR BATTERIPAKKEN

1. Før brugen af batteripakken skal du læse alle instruktioner og advarsler på (1) batteriopladeren, (2) batteriet og (3) det produkt, som batteriet anvendes i.
2. Skil ikke batteripakken ad.
3. Hvis driftstiden bliver betydeligt kortere, skal brugen straks ophøre. Forsat brug kan medføre risiko for overophedning, risiko for forbrændinger eller endog eksplosion.
4. Hvis du får elektrolyt i øjnene, skal du med det samme rense øjnene med rent vand og søge læge. Det kan medføre tab af synet.
5. Kortslut ikke batteripakken:
 - (1) Undgå at røre ved terminalerne med ledende materiale.
 - (2) Undgå at opbevare batteripakken i en beholder med andre metalgenstande som f.eks. søm, mønter osv.
 - (3) Udsæt ikke batteripakken for vand eller regn. Hvis batteriet kortsluttes, kan det medføre voldsom strøm, overophedning, mulige forbrændinger og endog nedbrud.
6. Undgå at opbevare maskinen og batteripakken på steder, hvor temperaturen kan komme op på eller overstige 50°C.
7. Sæt ikke ild til batteripakken, selvom den er alvorligt beskadiget eller helt udtjent. Batteripakken kan eksplodere ved brand.
8. Undgå at tabe eller slå på batteriet.
9. Undlad brug af et beskadiget batteri.

Funktioner:

- FM/DAB eller DAB+
- Stort LCD-display med lys
- Manuel/Programmeret/Automatisk kanalsøgning
- Drejeknap til kanalsøgning og lydstyrke
- 5 faste stationer på hvert bånd
- Mikro-USB-port til softwareopgradering
- Stereo-højtaler for rig lydgenivelse
- Ultra robust design
- Vandtæt op til IPX4
- Strømforsyning via både Makita-batteripakke og medfølgende strømadapter

Forklaring til generel oversigt

Betjeningsknapper

1. Tænd/sluk-knap

2. Knap til valg af bånd
3. Avanceret indstilling-knap
4. Info-knap
5. Forhåndsindstillingsknap
6. Automatisk kanalsøgningsknap
7. Lydstyrke-/kanalsøgnings-/valgknap
8. DC IN-stik
9. AUX IN 1
10. LCD-display
11. Blød bøjlet stavantenne
12. Håndtag
13. Batterirum (dækker hovedbatteripakke)
14. Højttaler
15. Lås til batterirum
16. Indgangsterminal (AUX IN 2)
17. Hovedbatterirum

18. Mikro-USB-port til softwareopgradering
19. Rød indikator
20. Knap
21. Batteripakke
22. Støttebælle

Isætning af batteri

Bemærk:

1. Træk låsen til batterirummet ud for at frigøre låget til batterirummet. (**Fig. 2**)
2. Indsæt hovedbatteripakken for at strømforsyne radioen. De typer batteripakker, der passer til radioen, er vist på den følgende tabel.

De følgende tabeller angiver driftstiden på en enkelt opladning.

Batteripakkespænding						VED HØJTALERUDGANG= 50 mW + 50 mW enhed: Time
7,2 V	9,6 V	10,8 V	12 V	14,4 V	18 V	
BL7010						Ca. 4,5
	PA09		PA12	PA14	PA18	Ca. 6,5
	9050		1250	1450	1850	
	9051		1251	1452	1852	
	9100		1200	1420	BL1815	
	9120	BL1013	1220	BL1415		
	9100A		1200A			
					BL1815N	Ca. 9,0
	9102		1202	1422	1822	Ca. 10,0
	9122		1222	BH1420		
	9102A		1202A			
	BH9020		BH1220			
	BH9020A		BH1220C			
	9134		1234	1434	1834	Ca. 14,5
				BH1427		Ca. 15,0
	9135		1235	1435	1835	Ca. 17,0
				1435F	BL1830	
			1235F	BL1430		
	BH9033		BH1233	BH1433		Ca. 18,0
	BH9033A		BH1233C			
				BL1440	BL1840	Ca. 24,0

 : Klumbatteri

 : Slidebatteri

ADVARSEL:

Brug ikke to hovedbatterier på samme tid.

3-1. Isætning eller udtagning af slidebatteripakken (Fig. 4)

- Ved montering af batteripakken justeres tungen på batteripakken med rillen i huset, hvorefter pakken skubbes på plads. Sæt den altid hele vejen ind, indtil den låses på plads med et lille klik.

- Hvis den røde indikator øverst på knappen er synlig, er batteripakken ikke låst helt fast. Sæt den helt ind, indtil den røde indikator ikke er synlig. Ellers kan den falde ud af maskinen og skade dig eller andre personer i nærheden.
- Brug ikke magt ved montering af batteripakken. Hvis den ikke glider let ind, er den ikke indsat korrekt.
- Afmonter batteripakken ved at holde ned på knappen foran på batteripakken og skubbe den af maskinen,

eller ved at trykke på knapperne på begge sider af pakken.

⚠ ADVARSEL:
Brug ikke to hovedbatterier på samme tid.

3-2. Isætning eller udtagning af klumpbatteripakken (Fig. 5-9)

- Træk i støttebjælken, så batteriet kan sættes ind i terminalen.
 - Ved indsætning af batteripakken justeres tungen på batteripakken med rillen i huset, hvorefter pakken skubbes på plads.
 - Slip støttebjælken.
 - For at fjerne batteripakken skal du trække i støttebjælken og tage batteriet ud af terminalen.
4. Sæt låsen til batterirummet tilbage på dens oprindelige position.
5. Reduceret styrke, forvrængning og en "stammende lyd" er tegn på, at hovedbatteripakken behøver udskiftning.

Bemærk:

Batteripakken kan ikke oplades med den medfølgende vekselstrømsadapter.

Montering af den bløde bøjede stavantenne (Fig. 10 og 11)

Monter den bløde bøjede stavantenne som vist på figuren.

Bemærk:

Der er en plads i batterirummet beregnet til opbevaring af den afmonterede antenne.

Brug af den medfølgende vekselstrømsadapter (Fig. 12)

Fjern gummiproppen og sæt adapterstikket ind i jævnstrømsstikket på forsiden af radioen. Tilslut adapteren til en almindelig stikkontakt. Når adapteren bruges, slås batteripakningen automatisk fra. Vekselstrømsadapteren bør trækkes ud af stikkontakten, når den ikke er i brug.

Betjening af radioen

Radioen har tre kanalsøgningsmetoder - automatisk kanalsøgning, manual kanalsøgning og forprogrammerede kanaler.

Valg af en station – DAB

1. Tryk på tænd/sluk-knappen for at tænde for radioen.
2. Vælg DAB-indstillingen ved at trykke på knappen til valg af bånd.
3. Tryk på avanceret indstilling-knappen og drej på lydstyrke-/kanalsøgnings-/valgknappen indtil "Station List" blinker på skærmen. Tryk på lydstyrke-/kanalsøgnings-/valgknappen for at komme ind til listen over stationerne.

4. Drej på lydstyrke-/kanalsøgnings-/valgknappen for at rulle gennem listen over tilgængelige stationer. Tryk på knappen for at vælge stationen.
5. Juster den ønskede lydstyrke ved at dreje på lydstyrke-/kanalsøgnings-/valgknappen.

Displayindstillinger – DAB

Radioen har en række visningsmuligheder i DAB-indstillingen:

Tryk på info-knappen for at bevæge dig igennem de forskellige valgmuligheder, som vises under de følgende bogstaver (a. til g.).

- | | |
|-------------------------|---------------------------------------------------------------------------------------------------------|
| a. Navn på station | Angiver navnet på den station der lyttes til. |
| b. Programtype | Angiver den type station der lyttes til. F.eks. pop, klassisk, nyheder osv. |
| c. Multiplex-navn | Angiver navnet på det DAB-multiplex, som den aktuelle station tilhører. |
| d. Tidspunkt og dato | Angiver det aktuelle tidspunkt og dato. |
| e. Frekvens og kanal | Angiver frekvensen og kanalnummeret for den DAB-station, der aktuelt er stillet ind på. |
| f. Bithastighed/lydtype | Angiver bithastigheden for digitallyden og lydtypen for den DAB-station, der aktuelt er stillet ind på. |
| g. Signalstyrke | Angiver signalstyrken for den DAB-station, der aktuelt er stillet ind på. |

Sådan finder du nye stationer – DAB

Fra tid til anden kommer der muligvis nye DAB-radiostationer til. Eller du er måske flyttet til en anden del af landet. I dette tilfælde er du muligvis nødt til at aktivere din radio til at scanne efter nye stationer.

For at give radioen mulighed for at finde alle de tilgængelige stationer anbefales det, at du udfører en fuld scanning af samtlige DAB-bånd III-frekvenser.

1. Tryk på automatisk kanalsøgningsknappen.
2. Radioen udfører en fuld scanning af DAB-frekvenserne. Efterhånden som der findes nye stationer, forøges stationstælleren til venstre i displayet, og der tilføjes stationer til listen.

Manuel kanalsøgning – DAB

Manuel kanalsøgning giver dig mulighed for at indstille radioen på en bestemt DAB-frekvens på bånd III. Denne funktion kan også anvendes til at rette antennen eller radioen ind for at optimere modtagelsen af en særlig kanal eller frekvens.

1. Tryk på avanceret indstilling-knappen og drej på lydstyrke-/kanalsøgnings-/valgknappen indtil "Manual Tune" vises på displayet. Tryk på lydstyrke-/kanalsøgnings-/valgknappen for at komme ind i den manuelle kanalsøgningsindstilling.

2. Drej på lydstyrke-/kanalsøgnings-/valgknappen for at vælge den ønskede DAB-kanal. Tryk på lydstyrke-/kanalsøgnings-/valgknappen for at bekræfte den valgte frekvens.

Dynamisk områdekontrol (DRC) – DAB

DRC-funktionen kan gøre svage lyde nemmere at høre, når radioen anvendes i et støjfyldt miljø, ved at reducere lydsignalets dynamiske område.

Der er tre komprimeringsniveauer:

- DRC 0 Der anvendes ingen komprimering.
 DRC 1/2 Der anvendes medium komprimering.
 DRC 1 Der anvendes maksimal komprimering.

1. Tryk på tænd/sluk-knappen for at tænde for radioen.
2. Tryk på knappen til valg af bånd for at vælge DAB-båndet.
3. Tryk på avanceret indstilling-knappen og drej på lydstyrke-/kanalsøgnings-/valgknappen indtil "DRC Value" vises på displayet. Tryk derefter på lydstyrke-/kanalsøgnings-/valgknappen for at komme ind i indstillingen. Displayet viser den aktuelle DRC-værdi.
4. Drej på lydstyrke-/kanalsøgnings-/valgknappen for at vælge den ønskede DRC-indstilling.
5. Tryk på lydstyrke-/kanalsøgnings-/valgknappen for at bekræfte indstillingen.

Opsætning af stationsrækkefølge – DAB

Radioen er understyret med 3 indstillinger for stationsrækkefølge, som du kan vælge imellem.

Indstillingerne for stationsrækkefølge er alfanumerisk, ensemble og gyldig station.

1. Tryk på avanceret indstilling-knap.
2. Drej på lydstyrke-/kanalsøgnings-/valgknappen indtil der vises "Station order" i displayet, og tryk derefter på lydstyrke-/kanalsøgnings-/valgknappen for at komme ind i indstillingen.
3. Drej på lydstyrke-/kanalsøgnings-/valgknappen for at vælge de følgende valgmuligheder og tryk på knappen for at bekræfte indstillingen.

Alfanumerisk Sorterer stationslisten alfanumerisk 0...9 A...Z

Ensemble Organiserer stationslisten efter DAB-multiplex

Gyldig Viser kun de stationer, som der kan findes et signal for

Automatisk kanalsøgning – FM

1. Tryk på tænd/sluk-knappen for at tænde for radioen.
2. Vælg det ønskede frekvensbånd ved at trykke på knappen til valg af bånd. Kontroller, at den bløde bøjede stavantenne er placeret optimalt for den bedst mulige FM-signalmottagelse. Prøv at undgå at anvende radioen i nærheden af en computerskærm og andet udstyr, der kan forårsage interferens på radioen.
3. Tryk på automatisk kanalsøgningsknappen og radioen søger og stopper automatisk, når den finder en

radiostation. Radioen fortsætter med at søge efter den næste tilgængelige station, medmindre brugeren trykker på den automatiske kanalsøgningsknap for at stoppe scanningen.

4. Drej på lydstyrke-/kanalsøgnings-/valgknappen for at få det ønskede lydniveau. LCD-displayet viser ændringerne i lydniveauet.

Bemærk:

For at kunne bruge lydstyrke-/kanalsøgnings-/valgknappen til at finde din ønskede station, skal du trykke og holde på lydstyrke-/kanalsøgnings-/valgknappen for at skifte til kanalsøgningsindstillingen.

5. For at slukke for radioen skal du trykke på tænd/sluk-knappen.

FM-scanningszone

Når du anvender FM-indstillingen, kan radioen indstilles til at scanne enten lokale stationer eller til at scanne alle stationer inklusive fjerne radiostationer.

Manuel kanalsøgning – FM

1. Tryk på tænd/sluk-knappen for at tænde for radioen.
2. Tryk på knappen til valg af bånd for at vælge det ønskede frekvensbånd. Juster antennen som beskrevet ovenfor.
3. Drejer du på lydstyrke-/kanalsøgnings-/valgknappen ændres frekvensen i følgende intervaller:
 FM: 50 eller 100 kHz

Bemærk:

For at kunne bruge lydstyrke-/kanalsøgnings-/valgknappen til at finde din ønskede station, skal du trykke og holde på lydstyrke-/kanalsøgnings-/valgknappen for at skifte til kanalsøgningsindstillingen.

4. Bliv ved med at dreje på lydstyrke-/kanalsøgnings-/valgknappen indtil den ønskede frekvens vises i displayet.
5. Drej på lydstyrke-/kanalsøgnings-/valgknappen for at få det ønskede lydniveau.
6. For at slukke for radioen skal du trykke på tænd/sluk-knappen.

Displayindstillinger – FM

Radioen har en række displayfunktioner i FM-radioindstillingen:

Fortsæt med at trykke på Info-knappen for at komme igennem de forskellige valgmuligheder.

- a. Programstation Angiver navnet på den station der lyttes til.
- b. Radiotekst Angiver tekstmeddelelser som f.eks. nye emner osv.
- c. Programtype Angiver den type station der lyttes til som f.eks. pop, klassisk, nyheder osv.
- d. Tidspunkt og dato Angiver det aktuelle tidspunkt og dato.
- e. Frekvens Angiver frekvensen for FM-signalet.

Lagring af stationer som forhåndsindstillinger (DAB og FM)

Der er 5 forhåndsindstillinger for hvert frekvensbånd.

1. Tryk på tænd/sluk-knappen for at tænde for radioen.
2. Stil ind på den ønskede station ved hjælp af en af de tidligere beskrevne metoder.
3. Tryk og hold på den ønskede forhåndsindstillingsknap indtil forhåndsindstillingsnummeret vises på displayet, for eksempel "P2 Saved". Stationen gemmes derefter på den valgte forhåndsindstillingsknap.
4. Gentag denne procedure for de resterende forhåndsindstillinger.
5. Stationer, der er gemt som forhåndsindstillinger, kan overskrives vha. de procedurer, som er beskrevet ovenfor.

Genkald stationer fra forhåndsindstillingerne (DAB og FM)

1. Tryk på tænd/sluk-knappen for at tænde for radioen.
2. Tryk på knappen til valg af bånd for at vælge det ønskede frekvensbånd.
3. Tryk midlertidigt på den ønskede forhåndsindstillingsknap, og forhåndsindstillingsnummeret og stationsfrekvensen vises i displayet.

Sprogindstillinger (kun til rådighed i DMR105)

Der er fire sprogindstillinger til rådighed i radioen:

Engelsk, tysk, italiensk og fransk.

1. Tryk på avanceret indstilling-knap.
2. Drej på lydstyrke-/kanalsøgnings-/valgknappen indtil "Language" vises i displayet. Tryk på lydstyrke-/kanalsøgnings-/valgknappen for at komme ind i indstillingen.
3. Drej på lydstyrke-/kanalsøgnings-/valgknappen for at vælge det ønskede sprog. Tryk på lydstyrke-/kanalsøgnings-/valgknappen for at bekræfte indstillingen.

Lysstyrkekontrol

Baggrundsbelysningen i displayet kan justeres.

1. Tryk på avanceret indstilling-knap.
2. Drej på lydstyrke-/kanalsøgnings-/valgknappen indtil "Backlight" vises i displayet. Tryk på lydstyrke-/kanalsøgnings-/valgknappen for at komme ind i indstillingen.
3. Drej på lydstyrke-/kanalsøgnings-/valgknappen for at aktivere eller deaktivere baggrundsbelysningsfunktionen, og tryk derefter på lydstyrke-/kanalsøgnings-/valgknappen for at bekræfte i indstillingen.

Nulstilling af system

Hvis din radio ikke fungerer ordentligt, eller der er cifre på displayet, som mangler eller er ukomplette, skal du udføre den følgende procedure.

1. Tryk på avanceret indstilling-knap.
2. Drej på lydstyrke-/kanalsøgnings-/valgknappen indtil "Factory Reset" vises i displayet. Tryk på lydstyrke-/kanalsøgnings-/valgknappen for at komme ind i indstillingen.
3. Drej på lydstyrke-/kanalsøgnings-/valgknappen for at vælge "Yes". Tryk på lydstyrke-/kanalsøgnings-/valgknappen for at bekræfte indstillingen, hvorefter der udføres en komplet nulstilling.

Softwareversion

1. Tryk på avanceret indstilling-knap.
2. Drej på lydstyrke-/kanalsøgnings-/valgknappen indtil "SW Version" vises i displayet. Tryk på lydstyrke-/kanalsøgnings-/valgknappen for at få vist den softwareversion, som er installeret i radioen.

Mikro-USB-port til softwareopgradering

Der er muligvis softwareopdateringer til rådighed for din radio i fremtiden.

Efterhånden som der bliver softwareopdateringer til rådighed, kan du finde software, og information om hvordan du opdaterer radioen, på **Makitas webside**.

Sådan afspilles andre lydilder

⚠ FORSIGTIG:

Tag apparatets stik ud af forbindelse, før der tilsluttes andre lydilder.

- Der er 2 AUX IN-stik. AUX IN 1 er placeret på frontpanelet, og AUX IN 2 er placeret i batterirummet.
- Tilslut en stereo- eller monokilde (dvs. iPod, MP3 eller CD-afspiller) til enten AUX IN 1 eller AUX IN 2 ved hjælp af et lyd kabel.
- Tryk på og slip knappen til valg af bånd flere gange indtil der vises "AU1" eller "AU2", hvorefter AUX-funktionen er aktiveret.

VEDLIGEHOLDELSE

⚠ FORSIGTIG:

- Brug aldrig benzin, benzen, fortynder, alkohol eller lignende. Det kan muligvis medføre misfarvning, deformation eller revner.

Specifikationer:

Strømkrav

Vekselstrømsadapter DC12 V 1A, centerben positivt
Batteri Klumpbatteri: 7,2 V - 18 V
Slidebatteri: 9,6 V - 18 V

Frekvensdækning

FM 87,50 - 108 MHz
DAB/DAB+
174,928 - 239,200 MHz

DAB/DAB+ kanalblok

DAB (Bånd III) 5A-13F

Kompatibel standard DAB (DMR104)

DAB/DAB+ (DMR105)

Kredsløbsfunktion

Højtaler	3 tommer 8 ohm
Udgangseffekt	7,2 V: 0,5 W x 2; 9,6 V: 1 W x 2 10,8 V: 1,2 W x 2; 12 V: 1,5 W x 2 14,4 V: 2,2 W x 2; 18 V: 3,5 W x 2
Indgangsterminal	3,5 mm diameter (AUX IN1/AUX IN2)
Antennesystem	DAB/FM: blød bøjet stavantenne
Mål (B x H x D) i mm	280 x 302 x 163
Vægt	4 kg (uden batteri)

ΕΛΛΗΝΙΚΑ (Πρωτογενείς οδηγίες)

Σύμβολα

Παρακάτω παρουσιάζονται τα σύμβολα που χρησιμοποιούνται για τον εξοπλισμό. Βεβαιωθείτε ότι κατανοείτε τη σημασία τους πριν από τη χρήση.



Διαβάστε το εγχειρίδιο οδηγιών.



Ca
Ni-MH
Li-Ion

Μόνο για τις χώρες της ΕΕ
Μην απορρίπτετε τον ηλεκτρικό εξοπλισμό ή την μπαταρία μαζί με τα οικιακά απορρίμματα!

Σύμφωνα με την Ευρωπαϊκή Οδηγία 2002/96/ΕΚ περί αποβλήτων ηλεκτρικού και ηλεκτρονικού εξοπλισμού, την 2006/66/ΕΚ περί μπαταριών και συσσωρευτών και των αποβλήτων των μπαταριών και των συσσωρευτών και την ενσωμάτωσή τους στην εθνική νομοθεσία, ο ηλεκτρικός εξοπλισμός και η μπαταρία που έχουν φτάσει στο τέλος της ζωής τους πρέπει να συλλέγονται ξεχωριστά και να επιστρέφονται σε εγκαταστάσεις περιβαλλοντικής ανακύκλωσης.

ΣΗΜΑΝΤΙΚΕΣ ΟΔΗΓΙΕΣ ΑΣΦΑΛΕΙΑΣ

⚠ ΠΡΟΕΙΔΟΠΟΙΗΣΗ:

Όταν χρησιμοποιείτε ηλεκτρικά εργαλεία, πάντοτε πρέπει να ακολουθείτε όλες τις βασικές προφυλάξεις ασφαλείας, για να μειώσετε τον κίνδυνο πυρκαγιάς, ηλεκτροπληξίας ή προσωπικού τραυματισμού, περιλαμβανομένων αυτών που περιγράφονται στη συνέχεια.

1. Διαβάστε προσεκτικά αυτό το εγχειρίδιο οδηγιών και το εγχειρίδιο οδηγιών του φορτιστή πριν από τη χρήση.
2. Καθαρίστε μόνο με ένα στεγνό πανί.
3. Μην εγκαταστήσετε κοντά σε πηγές θερμότητας όπως καλοριφέρ, ανοίγματα εκροής θερμού αέρα, σόμπες ή άλλες συσκευές (συμπεριλαμβανομένων ενισχυτών) που παράγουν θερμότητα.
4. Χρησιμοποιείτε μόνο εξαρτήματα/αξεσουάρ που καθορίζονται από τον κατασκευαστή.
5. Αποσυνδέετε τη συσκευή κατά τη διάρκεια καταιγίδων με κεραυνούς ή όταν δεν πρόκειται να τη χρησιμοποιήσετε για μεγάλο χρονικό διάστημα.
6. Ένα ραδιοφωνικό που λειτουργεί με ενσωματωμένες μπαταρίες ή με ξεχωριστή κασέτα μπαταρίας, πρέπει να επαναφορτίζεται μόνο με τον προκαθορισμένο φορτιστή για την μπαταρία. Ένας φορτιστής που είναι κατάλληλος για ένα τύπο μπαταρίας μπορεί να προκαλέσει τον κίνδυνο φωτιάς εάν χρησιμοποιηθεί σε ένα άλλο τύπο μπαταρίας.
7. Χρησιμοποιείτε το ραδιοφωνικό που λειτουργεί μόνο με μπαταρίες, με τις ειδικά καθορισμένες κασέτες μπαταριών. Η χρήση οποιονδήποτε άλλων μπαταριών μπορεί να δημιουργήσει τον κίνδυνο πυρκαγιάς.

8. Όταν η κασέτα μπαταρίας δεν βρίσκεται σε χρήση, φυλάξτε τη μακριά από άλλα μεταλλικά αντικείμενα όπως: συνδετήρες, κέρματα, κλειδιά, καρφιά, βίδες, ή άλλα μικρά μεταλλικά αντικείμενα που μπορούν να δημιουργήσουν σύνδεση από τον ένα ακροδέκτη στον άλλο. Το βραχυκύκλωμα των ακροδεκτών της μπαταρίας μπορεί να προκαλέσει εγκαύματα ή πυρκαγιά.
9. Αποφεύγετε την επαφή του σώματος με γειωμένες επιφάνειες, όπως σωλήνες, καλοριφέρ, φούρνους και ψυγεία. Υπάρχει αυξημένος κίνδυνος για πρόκληση ηλεκτροπληξίας εάν το σώμα σας είναι γειωμένο.
10. Σε ακραίες συνθήκες μπορεί να παταχτεί έξω το υγρό της μπαταρίας. Αποφύγετε την επαφή μαζί του. Εάν συμβεί τυχαία επαφή, ξεπλύνετε με νερό. Αν το υγρό έρθει σε επαφή με τα μάτια, ζητήστε επιπλέον ιατρική βοήθεια. Υγρό που εκτοξεύεται από την μπαταρία μπορεί να προκαλέσει ερεθισμό ή εγκαύματα.
11. Το βύσμα ΤΡΟΦΟΔΟΣΙΑΣ χρησιμοποιείται ως συσκευή αποσύνδεσης και πρέπει να βρίσκεται πάντοτε σε ετοιμότητα λειτουργίας.

ΦΥΛΑΞΤΕ ΑΥΤΕΣ ΤΙΣ ΟΔΗΓΙΕΣ

ΣΗΜΑΝΤΙΚΕΣ ΟΔΗΓΙΕΣ ΑΣΦΑΛΕΙΑΣ

ΓΙΑ ΤΗΝ ΚΑΣΕΤΑ ΜΠΑΤΑΡΙΑΣ

1. Πριν χρησιμοποιήσετε την κασέτα μπαταρίας, διαβάστε όλες τις οδηγίες και τις ενδείξεις προφύλαξης στο (1) φορτιστή μπαταρίας, (2) στην μπαταρία και (3) στο προϊόν στο οποίο χρησιμοποιείται η μπαταρία.
2. Μην αποσυναρμολογείτε την κασέτα μπαταρίας.
3. Αν ο χρόνος λειτουργίας της μπαταρίας είναι υπερβολικά σύντομος, διακόψτε αμέσως τη λειτουργία. Αν συνεχίσετε, μπορεί να επέλθει ο κίνδυνος υπερθέρμανσης, πιθανών εγκαυμάτων και ακόμη έκρηξης.
4. Αν μπει στα μάτια σας ηλεκτρολύτης, ξεπλύνετε με καθαρό νερό και αναζητήστε αμέσως ιατρική βοήθεια. Μπορεί να χάσετε την όρασή σας.
5. Μη βραχυκυκλώνετε την κασέτα μπαταρίας:
(1) Μην αγγίζετε τους ακροδέκτες με αγώγιμο υλικό.
(2) Μην αποθηκεύετε την κασέτα μπαταρίας σε δοχείο με άλλα μεταλλικά αντικείμενα, όπως καρφιά, νομίσματα, κτλ.
(3) Μην εκθέτετε την κασέτα μπαταρίας σε νερό ή βροχή. Αν βραχυκυκλωθεί η μπαταρία, μπορεί να προκαληθεί μεγάλη ροή ηλεκτρικού ρεύματος, υπερθέρμανση, πιθανά εγκαύματα και ακόμη και κατάρρευση.
6. Μην αποθηκεύετε το εργαλείο και την κασέτα μπαταρίας σε μέρη όπου η θερμοκρασία μπορεί να φτάσει ή να ξεπεράσει τους 50°C (122°F).
7. Μην αποτεφρώνετε την κασέτα μπαταρίας ακόμη κι αν παρουσάζει σοβαρή ζημιά ή είναι εντελώς φθαρμένη. Η κασέτα μπαταρίας μπορεί να εκραγεί σε φωτιά.
8. Να προσέχετε να μη σας πέσει η μπαταρία και να μη συγκρουστεί με κάποιο αντικείμενο.

9. Μη χρησιμοποιείτε μια μπαταρία που έχει υποστεί βλάβη.

Χαρακτηριστικά:

- FM/DAB ή DAB+
- Μεγάλη οθόνη LCD με φωτισμό
- Χειροκίνητα/Προεπιλογή /Συντονισμός σάρωσης
- Περιστροφικός συντονισμός και έλεγχος έντασης
- 5 προεπιλεγμένοι σταθμοί για κάθε μπάντα
- Θύρα μικρο-USB για αναβάθμιση λογισμικού
- Στερεοφωνικά ηχεία για πλούσια απόδοση ήχου
- Εξαιρετικά στιβαρή σχεδίαση
- Αδιάβροχο για IPX 4
- Τροφοδοτείται και από κασέτα μπαταρίας Makita και από παρεχόμενο μετασχηματιστή ρεύματος

Περιγραφή γενικής όψης

Χειριστήρια

1. Κουμπί ισχύος
2. Κουμπί μπάντας
3. Κουμπί προηγμένων ρυθμίσεων
4. Κουμπί πληροφοριών
5. Κουμπί προεπιλογής
6. Κουμπί αυτόματου συντονισμού
7. Κουμπί έντασης/ελέγχου συντονισμού/επιλογής
8. Υποδοχή εισόδου DC
9. AUX IN 1
10. Οθόνη LCD
11. Μαλακιά λυγισμένη ράβδος κεραίας
12. Χερούλι
13. Διαμέρισμα μπαταρίας (αφορά την κύρια κασέτα μπαταρίας)
14. Ηχείο
15. Ασφάλεια θήκης μπαταρίας
16. Είσοδος τερματικού (AUX IN2)
17. Θήκη κύριας μπαταρίας
18. Θύρα μικρο-USB για αναβάθμιση λογισμικού
19. Κόκκινη ένδειξη
20. Κουμπί
21. Κασέτα μπαταρίας
22. Υποστηρικτική ράβδος

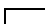
Τοποθέτηση μπαταρίας


Σημείωση:

1. Βγάλτε προς τα έξω την ασφάλεια της θήκης των μπαταριών για να ελευθερώσετε το διαμέρισμα μπαταρίας. **(Εικ. 2)**
2. Εισάγετε την κύρια κασέτα μπαταρίας για την τροφοδοσία του ραδιοφώνου. Οι κατάλληλες κασέτες μπαταρίας για αυτό το ραδιόφωνο αναφέρονται στον ακόλουθο πίνακα.

Οι παρακάτω πίνακες εμφανίζουν το χρόνο λειτουργίας με μία μόνο φόρτιση.

Τάση κασέτας μπαταρίας						ΣΤΗΝ ΕΞΟΔΟ ΗΧΕΙΟΥ = 50mW + 50mW μονάδα: Ωρα
7,2 V	9,6 V	10,8 V	12 V	14,4 V	18 V	
BL7010						Περίπου 4,5
	PA09		PA12	PA14	PA18	Περίπου 6,5
	9050		1250	1450	1850	
	9051		1251	1452	1852	
	9100		1200	1420	BL1815	
	9120	BL1013	1220	BL1415		
	9100A		1200A			
					BL1815N	Περίπου 9,0
	9102		1202	1422	1822	Περίπου 10,0
	9122		1222	BH1420		
	9102A		1202A			
	BH9020		BH1220			
	BH9020A		BH1220C			
	9134		1234	1434	1834	Περίπου 14,5
				BH1427		Περίπου 15,0
	9135		1235	1435	1835	Περίπου 17,0
				1435F	BL1830	
			1235F	BL1430		
	BH9033		BH1233	BH1433		Περίπου 18,0
	BH9033A		BH1233C			
				BL1440	BL1840	Περίπου 24,0

 : Συστοιχία μπαταρίας

 : Συρόμενη μπαταρία

⚠ ΠΡΟΕΙΔΟΠΟΙΗΣΗ:
Μην χρησιμοποιείτε δύο κύριες μπαταρίες ταυτόχρονα.

3-1. Τοποθέτηση ή αφαίρεση της κασέτας συρόμενης μπαταρίας (Εικ. 4)

- Για να τοποθετήσετε την κασέτα μπαταρίας, ευθυγραμμίστε τη γλωττίδα της κασέτας μπαταρίας με την εγκοπή στο περίβλημα και ολισθήστε τη στη θέση της. Πάντοτε να την τοποθετείτε έως το τέρμα, δηλαδή έως ότου ασφαλίσει στη θέση και ακουστεί ένας χαρακτηριστικός ήχος “κλικ”.
- Αν μπορείτε να δείτε την κόκκινη ένδειξη στην πάνω πλευρά του κουμπιού, η μπαταρία δεν είναι πλήρως ασφαλισμένη. Τοποθετήστε την πλήρως για να μη φαίνεται η κόκκινη ένδειξη. Σε αντίθετη περίπτωση, μπορεί να πέσει κατά λάθος από το εργαλείο και να τραυματίσει εσάς ή κάποιον παρευρισκόμενο.
- Να μη χρησιμοποιείτε δύναμη όταν τοποθετείτε την κασέτα μπαταρίας. Αν η κασέτα δεν ολισθαίνει με ευκολία, δεν την εισήγαγε σωστά.
- Για να βγάλετε την κασέτα μπαταρίας, σύρετε την από το εργαλείο ολισθαίνοντας το κουμπί στο μπροστινό μέρος της κασέτας ή πιέζοντας τα κουμπιά και στις δυο πλευρές της κασέτας.

⚠ ΠΡΟΕΙΔΟΠΟΙΗΣΗ:
Μην χρησιμοποιείτε δύο κύριες μπαταρίες ταυτόχρονα.

3-2. Τοποθέτηση ή αφαίρεση της κασέτας συστοιχίας μπαταρίας (Εικ. 5-9)

- Τραβήξτε τη ράβδο στήριξης για να μπορεί η μπαταρία να εισαχθεί στον ακροδέκτη.
- Για να εισάγετε την κασέτα μπαταρίας, ευθυγραμμίστε τη γλωττίδα της κασέτας μπαταρίας με την εγκοπή στο περίβλημα και ολισθήστε τη στη θέση της.
- Ελευθερώστε τη ράβδο στήριξης.
- Για να αφαιρέσετε την κασέτα μπαταρίας, τραβήξτε τη ράβδο στήριξης και βγάλτε την μπαταρία έξω από τον ακροδέκτη.
- 4. Επαναφέρετε την ασφάλεια της θήκης των μπαταριών στην αρχική της θέση.
- 5. Η μειωμένη ισχύς, η αλλοίωση και ένας “τραυλιστός ήχος” είναι οι ενδείξεις ότι η κύρια μπαταρία χρειάζεται αντικατάσταση.

Σημείωση:

Η κασέτα μπαταρίας δεν μπορεί να φορτιστεί μέσω του παρεχόμενου μετασχηματιστή ρεύματος AC.

Εγκατάσταση της μαλακιάς λυγισμένης ράβδου κεραίας (Εικ. 10-11)

Εγκαταστήστε τη μαλακιά λυγισμένη ράβδο κεραίας όπως φαίνεται στην εικόνα.

Σημείωση:

Υπάρχει ένα κούμπωμα στη θήκη της μπαταρίας σχεδιασμένο για την αποθήκευση της αφαιρούμενης κεραίας.

Χρήση του παρεχόμενου μετασχηματιστή ρεύματος AC (Εικ. 12)

Αφαιρέστε το προστατευτικό από καουτσούκ και τοποθετήστε το βύσμα του μετασχηματιστή στην υποδοχή DC στην μπροστινή πλευρά του ραδιοφώνου. Συνδέστε το μετασχηματιστή σε μια τυπική πρίζα. Κάθε φορά που ο μετασχηματιστής χρησιμοποιείται, η μπαταρία αποσυνδέεται αυτόματα. Ο μετασχηματιστής AC θα πρέπει να αποσυνδεθεί από την κύρια παροχή, όταν δεν χρησιμοποιείται.

Λειτουργία του ραδιοφώνου

Η συσκευή αυτή είναι εφοδιασμένη με τρεις μεθόδους συντονισμού- Συντονισμός με σάρωση, Χειροκίνητος συντονισμός και Ανάκτηση προεπιλεγμένης μνήμης.

Η επιλογή ενός σταθμού - DAB

1. Πατήστε το κουμπί ισχύος για να ενεργοποιησετε το ραδιόφωνο σας.
2. Επιλέξτε τη λειτουργία DAB πατώντας το κουμπί μπάντας.
3. Πατήστε το κουμπί προηγμένων ρυθμίσεων και περιστρέψτε το κουμπί έντασης/ελέγχου συντονισμού/επιλογής έως ότου η "Λίστα σταθμών" να αναβοσβήνει στην οθόνη. Πατήστε το κουμπί έντασης/ελέγχου συντονισμού/επιλογής για να μεταβείτε στη λίστα των σταθμών.
4. Περιστρέψτε το κουμπί έντασης/ελέγχου συντονισμού/επιλογής για να μετακινηθείτε μέσα στη λίστα των διαθέσιμων σταθμών. Πατήστε το κουμπί για να επιλέξετε το σταθμό.
5. Ρυθμίστε την επιθυμητή ένταση περιστρέφοντας το κουμπί έντασης/ελέγχου συντονισμού/επιλογής.

Λειτουργίες προβολής - DAB

Το ραδιόφωνό σας έχει μια σειρά από επιλογές ένδειξης της λειτουργίας DAB:

Πατήστε το κουμπί πληροφοριών για να μεταβείτε στις διάφορες επιλογές που εμφανίζονται στα παρακάτω γράμματα (α. έως γ.).

- a. Όνομα σταθμού
Δείχνει το όνομα του σταθμού που ακούτε.
- b. Τύπος προγράμματος
Εμφανίζει το είδος του σταθμού που ακούγεται, όπως Ποπ, Κλασικός, Ειδήσεις, κ.α.
- c. Πολυπλεξικό όνομα
Δείχνει το όνομα του πολυπλεξικού DAB στο οποίο ανήκει ο τρέχων σταθμός.

- d. Ώρα & ημερομηνία
Δείχνει την τρέχουσα ώρα και ημερομηνία.
- e. Συχνότητα και κανάλι
Δείχνει τη συχνότητα και τον αριθμό καναλιού για τον τρέχοντα συντονισμένο σταθμό DAB.
- f. Ρυθμός μπιπ/Τύπος ήχου
Δείχνει το ρυθμό μπιπ του ψηφιακού ήχου και τον τύπο ήχου για τον τρέχοντα συντονισμένο σταθμό DAB.
- g. Ισχύς σήματος/Δείχνει την ισχύ σήματος για τον τρέχοντα συντονισμένο σταθμό DAB.

Ανεύρεση νέων σταθμών - DAB

Από καιρό σε καιρό, μπορούν να καταστούν διαθέσιμοι νέοι ραδιοφωνικοί σταθμοί DAB. Ή μπορεί να την έχετε μετακινηθεί σε διαφορετικό μέρος της χώρας. Σε αυτή την περίπτωση μπορεί να χρειαστεί να ενεργοποιήσετε το ραδιόφωνο για να εκτελέσετε σάρωση νέων σταθμών. Για να επιτρέψετε το ραδιόφωνο για να βρει τους διαθέσιμους σταθμούς, συνιστάται να πραγματοποιήσετε μια πλήρη σάρωση του συνόλου των συχνοτήτων της μπάντας III DAB.

1. Πατήστε το κουμπί του αυτόματου συντονισμού.
2. Το ραδιόφωνό σας θα εκτελέσει μια πλήρη σάρωση των συχνοτήτων DAB. Καθώς βρίσκονται νέοι σταθμοί, ο μετρητής σταθμών στην αριστερή πλευρά της οθόνης θα αυξάνει και σταθμοί θα προστίθενται στη λίστα.

Χειροκίνητος συντονισμός - DAB

Ο χειροκίνητος συντονισμός σας επιτρέπει να συντονίσετε το ραδιόφωνό σας σε μια συγκεκριμένη συχνότητα DAB στη μπάντα III. Αυτή η λειτουργία μπορεί επίσης να χρησιμοποιηθεί για να βοηθήσει στην εύρεση της σωστής θέσης της κεραίας ή του ραδιοφώνου ώστε να βελτιστοποιηθεί η λήψη για ένα συγκεκριμένο κανάλι ή συχνότητα.

1. Πατήστε το κουμπί προηγμένων ρυθμίσεων και περιστρέψτε το κουμπί έντασης/ελέγχου συντονισμού/επιλογής έως ότου να εμφανιστεί στην οθόνη ο "Χειροκίνητος συντονισμός". Πατήστε το κουμπί έντασης/ελέγχου συντονισμού/επιλογής για να μεταβείτε στη λειτουργία χειροκίνητου συντονισμού.
2. Περιστρέψτε το κουμπί έντασης/ελέγχου συντονισμού/επιλογής για να επιλέξετε το επιθυμητό κανάλι DAB. Πατήστε το κουμπί έντασης/ελέγχου συντονισμού/επιλογής για να μεταβείτε στη λειτουργία χειροκίνητου συντονισμού.

Έλεγχος δυναμικού εύρους (DRC) - DAB

Το χαρακτηριστικό DCR μπορεί να κάνει ευκολότερο το άκουσμα των ήχων χαμηλής έντασης όταν το ραδιόφωνο χρησιμοποιείται σε θορυβώδες περιβάλλον, μειώνοντας το δυναμικό εύρος του ηχητικού σήματος.

Υπάρχουν τρία επίπεδα συμπίεσης:

- | | |
|---------|---------------------------------|
| DRC 0 | Δεν εφαρμόζεται συμπίεση. |
| DRC 1/2 | Εφαρμόζεται ενδιάμεση συμπίεση. |
| DRC 1 | Εφαρμόζεται μέγιστη συμπίεση. |

1. Πατήστε το κουμπί ισχύος για να ενεργοποιηθείτε το ραδιόφωνο σας.
2. Πατήστε το κουμπί μπάντας για να επιλέξετε την επιθυμητή μπάντα DAB.
3. Πατήστε το κουμπί προηγμένων ρυθμίσεων και περιστρέψτε το κουμπί έντασης/ελέγχου συντονισμού/επιλογής έως ότου να εμφανιστεί στην οθόνη η "Τιμή DRC". Πατήστε το κουμπί έντασης/ελέγχου συντονισμού/επιλογής για να εισάγετε τη ρύθμιση. Η οθόνη θα εμφανίσει την τρέχουσα τιμή DRC.
4. Περιστρέψτε το κουμπί έντασης/ελέγχου συντονισμού/επιλογής για να επιλέξετε την επιθυμητή ρύθμιση DAB.
5. Πατήστε το κουμπί έντασης/ελέγχου συντονισμού/επιλογής για να εισάγετε τη ρύθμιση.
4. Περιστρέψτε το κουμπί έντασης/ελέγχου συντονισμού/επιλογής για να αποκτήσετε την επιθυμητή ένταση ήχου. Η οθόνη LCD θα εμφανίσει τις αλλαγές στην ένταση του ήχου.

Σημείωση:

Για να χρησιμοποιήσετε το κουμπί έντασης/ελέγχου συντονισμού/επιλογής για να βρείτε τον επιθυμητό σταθμό σας, πιέστε και κρατήστε πατημένο το κουμπί έντασης/ελέγχου συντονισμού/επιλογής για να μεταβείτε στη ρύθμιση λειτουργίας ελέγχου συντονισμού.

5. Για να απενεργοποιηθείτε το ραδιόφωνο, πατήστε το κουμπί ισχύος.

Ζώνη σάρωσης FM

Όταν χρησιμοποιείται η λειτουργία FM, ραδιόφωνό σας μπορεί να ρυθμιστεί για σάρωση είτε των τοπικών σταθμών είτε για τη σάρωση όλων των σταθμών συμπεριλαμβανομένων των μακρινών ραδιοφωνικών σταθμών.

Χειροκίνητη σάρωση - FM

1. Πατήστε το κουμπί ισχύος του ραδιοφώνου για να ενεργοποιήσετε το ραδιόφωνο.
2. Πατήστε το κουμπί μπάντας για να επιλέξετε την επιθυμητή μπάντα συχνοτήτων. Ρυθμίστε την κεραία, όπως περιγράφεται παραπάνω.
3. Η περιστροφή του κουμπιού έντασης/ελέγχου συντονισμού/επιλογής θα αλλάξει τη συχνότητα με την παρακάτω προσαύξηση:
FM: 50 ή 100 kHz

Σημείωση:

Για να χρησιμοποιήσετε το κουμπί έντασης/ελέγχου συντονισμού/επιλογής για να βρείτε τον επιθυμητό σταθμό σας, πιέστε και κρατήστε πατημένο το κουμπί έντασης/ελέγχου συντονισμού/επιλογής για να μεταβείτε στη ρύθμιση λειτουργίας ελέγχου συντονισμού.

4. Συνεχίστε να περιστρέφετε το κουμπί έντασης/ελέγχου συντονισμού/επιλογής μέχρι να εμφανιστεί στην οθόνη η απαιτούμενη συχνότητα.
5. Περιστρέψτε το κουμπί έντασης/ελέγχου συντονισμού/επιλογής για να αποκτήσετε την επιθυμητή ένταση ήχου.
6. Για να απενεργοποιηθείτε το ραδιόφωνο, πατήστε το κουμπί ισχύος.

Επιχειρήσεις προβολής - FM

Ραδιόφωνο σας έχει μια σειρά από επιλογές ένδειξης για τη λειτουργία ραδιοφώνου FM:

Πατήστε επανειλημμένα το κουμπί πληροφοριών για μετάβαση στις διάφορες επιλογές.

- a. Σταθμός προγράμματος Εμφανίζει το όνομα του σταθμού που ακούγεται.
- b. Ραδιοφωνικό κείμενο Εμφανίζει μήνυμα κειμένου, όπως νέα στοιχεία κλπ.

Ρύθμιση σειράς σταθμών - DAB

Το ραδιόφωνό σας διαθέτει 3 ρυθμίσεις σειράς σταθμών από τις οποίες μπορείτε να επιλέξετε. Οι ρυθμίσεις σειράς σταθμών είναι αλφαριθμητικός, συγκρότημα και έγκυρος σταθμός.

1. Πατήστε το κουμπί προηγμένης ρύθμισης.
2. Περιστρέψτε το κουμπί έντασης/ελέγχου συντονισμού/επιλογής μέχρι να εμφανιστεί στην οθόνη το "Σειρά σταθμών", στη συνέχεια πατήστε το κουμπί έντασης/ελέγχου συντονισμού/επιλογής για να εισάγετε τη ρύθμιση.
3. Περιστρέψτε το κουμπί έντασης/ελέγχου συντονισμού/επιλογής για να επιλέξετε τις παρακάτω ρυθμίσεις και πατήστε το κουμπί για να επιβεβαιώσετε τη ρύθμιση.

Αλφαριθμητικό Ταξινομεί την λίστα των σταθμών αλφαριθμητικά-αριθμητικά 0...9 A...Ω

Συγκρότημα Οργανώνει τη λίστα των σταθμών κατά πολυπλεξικό DAB

Έγκυρο Δείχνει μόνο τους σταθμούς για τους οποίους μπορεί να βρεθεί σήμα

Σάρωση Συντονισμός - FM

1. Πατήστε το κουμπί ισχύος του ραδιοφώνου για να ενεργοποιήσετε το ραδιόφωνο.
2. Επιλέξτε την επιθυμητή μπάντα συχνοτήτων πατώντας το κουμπί μπάντας. Βεβαιωθείτε ότι η μαλακή λυγισμένη ράβδος κεραίας έχει τοποθετηθεί σε καλή θέση για την καλύτερη λήψη FM. Προσπαθήστε να λειτουργείτε το ραδιόφωνο μακριά από οθόνη υπολογιστή και από άλλες συσκευές που μπορούν να προκαλέσουν παρεμβολή στο ραδιόφωνο.
3. Πατήστε το κουμπί αυτόματου συντονισμού και το ραδιόφωνο θα πραγματοποιήσει αναζήτηση και θα σταματήσει αυτόματα όταν εντοπίσει ένα ραδιοφωνικό σταθμό. Το ραδιόφωνο θα συνεχίσει να αναζητά τον επόμενο διαθέσιμο σταθμό εκτός εάν ο χειριστής πατήσει το κουμπί αυτόματου συντονισμού για να σταματήσει τη σάρωση.

- c. Τύπος προγράμματος Εμφανίζει το είδος του σταθμού που ακούγεται, όπως Ποπ, Κλασικός, Ειδήσεις, κ.α.
- d. Ώρα & ημερομηνία Δείχνει την τρέχουσα ώρα και ημερομηνία.
- e. Συχνότητα Δείχνει τη συχνότητα του σήματος FM.

Αποθήκευση σταθμών σε προκαθορισμένες μνήμες (DAB και FM)

Υπάρχουν 5 προεπιλεγμένες μνήμες για κάθε μπάνα κύματος.

1. Πατήστε το κουμπί ισχύος του ραδιοφώνου για να ενεργοποιήσετε το ραδιόφωνο.
2. Συντονιστείτε με τον επιθυμητό σταθμό χρησιμοποιώντας μια μέθοδο από αυτές που αναφέρθηκαν προηγουμένως.
3. Πατήστε και κρατήστε πατημένο το επιθυμητό κουμπί προεπιλογής μέχρι να εμφανιστεί ο αριθμός προεπιλογής στην οθόνη, για παράδειγμα, "P2 Αποθηκευμένο". Ο σταθμός στη συνέχεια αποθηκεύεται στο επιλεγμένο κουμπί προεπιλογής.
4. Επαναλάβετε αυτή τη διαδικασία για τις εναπομένουσες προεπιλογές.
5. Οι αποθηκευμένοι σταθμοί στις προεπιλεγμένες μνήμες μπορούν να αντικατασταθούν ακολουθώντας τις παραπάνω διαδικασίες.

Ανάκτηση σταθμών από τις προκαθορισμένες μνήμες (DAB και FM)

1. Πατήστε το κουμπί ισχύος του ραδιοφώνου για να ενεργοποιήσετε το ραδιόφωνο.
2. Πατήστε το κουμπί μπάνας για να επιλέξετε την επιθυμητή μπάνα συχνότητας.
3. Πατήστε στιγμιαία το επιθυμητό κουμπί προεπιλογής, ο αριθμός προεπιλογής και η συχνότητα του σταθμού θα εμφανιστούν στην ένδειξη.

Επιλογές γλώσσας (διαθέσιμες μόνο στο DMR105)

Υπάρχουν διαθέσιμες τέσσερις επιλογές γλώσσας στο ραδιόφωνο: Αγγλικά, Γερμανικά, Ιταλικά και Γαλλικά.

1. Πατήστε το κουμπί προηγμένης ρύθμισης.
2. Περιστρέψτε το κουμπί έντασης/ελέγχου συντονισμού/επιλογής μέχρι να εμφανιστεί στην οθόνη το "Γλώσσα". Πατήστε το κουμπί έντασης/ελέγχου συντονισμού/επιλογής για να εισάγετε τη ρύθμιση.
3. Περιστρέψτε το κουμπί έντασης/ελέγχου συντονισμού/επιλογής για να επιλέξετε την επιθυμητή γλώσσα. Πατήστε το κουμπί έντασης/ελέγχου συντονισμού/επιλογής για να επιβεβαιώσετε τη ρύθμισή σας.

Έλεγχος φωτεινότητας

Ο οπίσθιος φωτισμός της οθόνης μπορεί να ρυθμιστεί.

1. Πατήστε το κουμπί προηγμένης ρύθμισης.

2. Περιστρέψτε το κουμπί έντασης/ελέγχου συντονισμού/επιλογής μέχρι να εμφανιστεί στην οθόνη το "Οπίσθιος φωτισμός". Πατήστε το κουμπί έντασης/ελέγχου συντονισμού/επιλογής για να εισάγετε τη ρύθμιση.
3. Περιστρέψτε το κουμπί έντασης/ελέγχου συντονισμού/επιλογής για να επιλέξετε την ενεργοποίηση ή την απενεργοποίηση της λειτουργίας του οπίσθιου φωτισμού, στη συνέχεια πατήστε το κουμπί έντασης/ελέγχου συντονισμού/επιλογής για να επιβεβαιώσετε τη ρύθμιση.

Επαναφορά συστήματος

Αν το ραδιόφωνό σας δεν λειτουργεί σωστά ή αν δεν εμφανίζονται κάποια ψηφία στην ένδειξη ή εμφανίζονται ατελώς, εκτελέστε την παρακάτω διαδικασία.

1. Πατήστε το κουμπί προηγμένης ρύθμισης.
2. Περιστρέψτε το κουμπί έντασης/ελέγχου συντονισμού/επιλογής μέχρι να εμφανιστεί στην οθόνη το "Εργοστασιακή επαναφορά". Πατήστε το κουμπί έντασης/ελέγχου συντονισμού/επιλογής για να εισάγετε τη ρύθμιση.
3. Περιστρέψτε το κουμπί έντασης/ελέγχου συντονισμού/επιλογής για να επιλέξετε το "Ναι". Πατήστε το κουμπί έντασης/ελέγχου συντονισμού/επιλογής για να επιβεβαιώσετε τη ρύθμιση και θα εκτελεστεί μια πλήρης επαναφορά.

Έκδοση λογισμικού

1. Πατήστε το κουμπί προηγμένης ρύθμισης.
2. Περιστρέψτε το κουμπί έντασης/ελέγχου συντονισμού/επιλογής μέχρι να εμφανιστεί στην οθόνη το "Έκδοση λογισμικού". Πατήστε το κουμπί έντασης/ελέγχου συντονισμού/επιλογής για να δείτε την έκδοση λογισμικού που είναι εγκαταστημένη στο ραδιόφωνο.

Θύρα μικρο-USB για αναβάθμιση λογισμικού

Μελλοντικές ενημερώσεις λογισμικού για το ραδιόφωνό σας μπορεί να είναι διαθέσιμες.

Στην **ιστοσελίδα Makita** μπορούν να βρεθούν οι διαθέσιμες ενημερώσεις λογισμικού και οι πληροφορίες για το πως θα γίνει η ενημέρωση του ραδιοφώνου σας.

Πώς να παίξετε άλλα ηχητικά

⚠ ΠΡΟΣΟΧΗ:

Αποσυνδέστε τη συσκευή πριν συνδέσετε άλλα ηχητικά.

- Υπάρχουν 2 υποδοχές AUX IN. Το AUX IN 1 βρίσκεται στην πρόσοψη, και το AUX IN 2 βρίσκεται στο διαμέρισμα μπαταρίας.
- Συνδέστε μια πηγή στερεοφωνική ή μονοφωνική (π.χ. iPod, MP3 ή CD player) είτε στο AUX IN 1 είτε στο AUX IN 2 με καλώδιο ήχου.
- Επανεπιλημμένα πατήστε και αφήστε το κουμπί μπάνας μέχρι να εμφανιστεί η ένδειξη "AU1" ή "AU2", τότε είναι ενεργοποιημένη η λειτουργία AUX.

ΣΥΝΤΗΡΗΣΗ

ΠΡΟΣΟΧΗ:

- Μην χρησιμοποιήσετε βενζίνη, βενζόλη, διαλυτικό, αλκοόλη ή κάτι παρόμοιο. Μπορεί να προκληθεί αποχρωματισμός, παραμόρφωση ή ρωγμές.

Προδιαγραφές:

Απαιτήσεις τροφοδοσίας

Μετασχηματιστής ισχύος AC

DC12 V 1A, θετική η κεντρική ακίδα

Μπαταρία Συστοιχία μπαταρίας: 7,2 V - 18 V

Συρόμενη μπαταρία: 9,6 V - 18 V

Κάλυψη συχνότητας FM 87,50 έως 108 MHz

DAB/DAB+ 174,928 - 239,200 MHz

Μπλοκ καναλιού DAB/DAB+

DAB (Μπάντα III) 5A-13F

Συμβατό πρότυπο DAB (DMR104)

DAB/DAB+ (DMR105)

Χαρακτηριστικό κυκλώματος

Μεγάφωνο 3 ιντσών 8 ohm

Ισχύς εξόδου 7,2 V: 0,5 W x 2, 9,6 V: 1 W x 2

10,8 V: 1,2 W x 2, 12 V: 1,5 W x 2

14,4 V: 2,2 W x 2, 18 V: 3,5 W x 2

Είσοδος θερματικού 3,5 mm διάμ. (AUX IN1/AUX IN2)

Σύστημα κεραίας DAB/FM: μαλακιά λυγισμένη

ράβδος κεραίας

Διαστάσεις (Π x Υ x Β) σε mm

280 x 302 x 163

Βάρος 4 kg (χωρίς μπαταρία)

SVENSKA (Originalanvisningar)

Symboler

Följande symboler används för utrustningen. Se till att du förstår innebörden av dem innan du använder utrustningen.



Läs bruksanvisningen.



Cd
Ni-MH
Li-ion

Gäller endast EU-länder

Elektrisk utrustning eller batteri får inte kastas i hushållssoporna!

Enligt direktivet 2002/96/EU som avser äldre elektrisk och elektronisk utrustning och direktivet 2006/66/EU som avser batterier och ackumulatörer och förbrukade batterier och ackumulatörer samt dess tillämpning enligt nationell lagstiftning, ska uttjänt elektrisk utrustning och batteri sorteras separat och lämnas till miljövänlig återvinning.

VIKTIGA SÄKERHETSANVISNINGAR

⚠ VARNING:

Vid användning av elektriska apparater ska grundläggande säkerhetsåtgärder alltid följas för att minska risken för brand, elektriska stötar och personskador, inklusive följande.

1. Läs denna bruksanvisning och laddarens bruksanvisning noggrant före användning.
2. Rengör endast med torr trasa.
3. Installera inte nära värmekällor såsom värmeelement, värmespjäll, spisar, eller andra apparater (inklusive förstärkare) som alstrar värme.
4. Använd endast tillsatser/tillbehör specificerade av tillverkaren.
5. Dra ur apparatens sladd vid åska eller när apparaten inte används under en längre tid.
6. En batteridriven radio med integrerade batterier eller ett separat batteri får endast laddas med batteriets egna laddare. En laddare som lämpar sig för en typ av batteri kan orsaka brand om den används tillsammans med en annan typ av batteri.
7. Använd endast särskilt avsedda batterier i den batteridrivna radion. Om andra batterier används kan risken för brand öka.
8. När batteriet inte används ska det hållas borta från andra metallföremål som: pappersgem, mynt, nycklar, spikar, skruvar eller andra små metallföremål som kan ansluta en terminal till den andra. Kortslutning av batteripoolerna kan orsaka gnistor, brännskador eller brand.
9. Undvik kroppskontakt med jordade ytor som till exempel rör, element, spisar och kylskåp. Det finns en ökad risk för elektrisk stöt om din kropp är jordad.
10. Under hårda förhållande kan det komma vätska ur batteriet. Undvik kontakt. Spola med vatten om kontakt ändå råkar uppstå. Om du får vätska i ögonen

ska läkare uppsökas omedelbart. Vätska från batteriet kan orsaka irritation på huden eller ge brännskador.

11. Stickkontakten används för att stänga av apparaten, och den ska vara lättillgänglig.

SPARA DESSA ANVISNINGAR

VIKTIGA SÄKERHETSANVISNINGAR

FÖR BATTERIKASSETTEN

1. Innan batterikassetten används ska alla anvisningar och varningsmärken på (1) batteriladdaren, (2) batteriet och (3) produkten läsas.
2. Montera inte isär batterikassetten.
3. Om drifttiden blivit avsevärt kortare ska användningen omedelbart avbrytas. Det kan uppstå överhettning, brännskador och t o m en explosion.
4. Om du får elektrolyt i ögonen ska du skölja ögonen med rent vatten och omedelbart söka läkarvård. Det finns risk för att förlora synen.
5. Kortslut inte batterikassetten:
 - (1) Rör inte vid polerna med något strömförande material.
 - (2) Undvik att förvara batterikassetten i en behållare tillsammans med andra metallföremål som tex spik, mynt etc.
 - (3) Utsätt inte batterikassetten för vatten eller regn. Ett kortslutet batteri kan orsaka ett stort strömflöde, överhettning, eventuella brännskador och apparaten kan till och med gå sönder.
6. Förvara inte maskinen och batterikassetten på platser där temperaturen kan nå eller överstiga 50°C (122°F).
7. Bränn inte upp batterikassetten även om den är svårt skadad eller helt utsliten. Batterikassetten kan explodera i öppen eld.
8. Var försiktig så att du inte tappar eller stöter i batteriet.
9. Använd inte ett skadat batteri.

Funktioner:

- FM/DAB eller DAB+
- Stor LCD-display med bakgrundsbelysning
- Manuell/Förinställd/Automatisk stationsinställning
- Vridknapp för inställning och volymkontroll
- 5 förinställbara stationer för varje frekvensband
- Mikro-USB-port för mjukvaruuppdatering
- Stereohögtalare för bra ljudkvalitet
- Ultrakraftig formgivning
- Vattenavstötande, uppfyller IPX 4
- Drivs av både Makitas batteri och medföljande strömadapter

Förklaring till översiktsbilderna

Funktionsknappar

1. Strömbrytare
2. Bandknapp
3. Knapp Avancerad inställning
4. Infoknapp
5. Förinställningsknapp
6. Auto-stationsinställningsknapp

7. Volym/Stationsinställning/Val-ratt
8. DC IN-uttag
9. AUX-IN 1
10. LCD-display
11. Antenn
12. Handtag
13. Batterifack (täcker huvudbatteriet)
14. Högtalare
15. Batterifackläs
16. Ingång för extern enhet (AUX-IN 2)
17. Huvudbatterifack
18. Mikro-USB-port för mjukvaruuppggradering
19. Röd indikator

20. Knapp
21. Batterikassetten
22. Stödspärr

Installation av batteri

Obs:

1. Dra upp batterifacksläset för att öppna batterifacket. (Fig. 2)
2. Sätt i huvudbatteriet i radion. Passande batterier för denna radio är uppräknade i tabellen nedan.

Nedanstående tabell anger drifttid efter laddning.

Batterikassetten spänning						MED HÖGTALAREFFEKT= 50mW + 50mW enhet: Timme
7,2 V	9,6 V	10,8 V	12 V	14,4 V	18 V	
BL7010						Ungefär 4,5
	PA09		PA12	PA14	PA18	Ungefär 6,5
	9050		1250	1450	1850	
	9051		1251	1452	1852	
	9100		1200	1420	BL1815	
	9120	BL1013	1220	BL1415		
	9100A		1200A			
					BL1815N	Ungefär 9,0
	9102		1202	1422	1822	Ungefär 10,0
	9122		1222	BH1420		
	9102A		1202A			
	BH9020		BH1220			
	BH9020A		BH1220C			
	9134		1234	1434	1834	Ungefär 14,5
				BH1427		Ungefär 15,0
	9135		1235	1435	1835	Ungefär 17,0
				1435F	BL1830	
			1235F	BL1430		
	BH9033		BH1233	BH1433		Ungefär 18,0
	BH9033A		BH1233C			
				BL1440	BL1840	Ungefär 24,0

 : Klusterbatteri

 : Glidbatteri

⚠ WARNING:
Använd inte två huvudbatterier samtidigt.

- 3-1. Installation och avlägsnande av glidbatteri (Fig. 4)**
- Installera batterikassetten genom att rikta in tungan på batterikassetten mot spåret i höljet och skjut den på plats. Tryck alltid in batterikassetten ordentligt tills den låser fast med ett klick.
 - Om du kan se den röda indikatorn på knappens ovansida är batteriadaptern inte låst ordentligt. Installera den helt tills den röda indikatorn inte längre

syns. I annat fall kan den oväntat falla ur maskinen och skada dig eller någon annan.

- Ta inte i för hårt när du monterar batterikassetten. Om kassetten inte lätt glider på plats är den felisatt.
- Ta bort batterikassetten genom att skjuta ner knappen på kassetten framsida eller genom att trycka på knapparna på båda sidor av kassetten samtidigt som du drar ut batterikassetten.

⚠ WARNING:
Använd inte två huvudbatterier samtidigt.

3-2. Installation och avlägsnande av klusterbatteri (Fig. 5-9)

- Dra i stödspärren så att batteriet kan installeras.
- Sätt fast batterikassetten genom att rikta i tungan mot spåret i höljet och skjut den på plats.
- Släpp stödspärren.
- Om du vill ta ur batteriet ska du dra i stödspärren och ta bort batteriet.
- 4. För tillbaka batterifacket till ursprungsläget.
- 5. Minskad ström, förvrängning och ett "hackande ljud" är tecken på att huvudbatteriet behöver bytas ut.

Obs:

Det går inte att ladda batteriet via den medföljande strömadaptern.

Installera antennen (Fig. 10-11)

Installera antennen såsom visas i figuren.

Obs:

Det finns en plats i batterifacket som är avsedd för att förvara den borttagna antennen.

Användning av medföljande AC-adapter (Fig. 12)

Avlägsna gummiskyddet och stick in adaptorns kontakt i DC-uttaget på framsidan av radion. Koppla adaptorn till ett normalt vägguttag. När adaptorn används kopplas batteriet automatiskt ifrån. AC-adaptorns kontakt bör dras ur vägguttaget när den inte används.

Radiomottagning

Denna radio har tre olika stationsinställningsmetoder – Automatisk stationsinställning, Manuell stationsinställning och Återkallande av minnesförinställda stationer.

Välj en station – DAB

1. Tryck på Strömbrytaren för att slå på radion.
2. Välj önskat DAB-läge genom att trycka på Bandknappen.
3. Tryck på knappen Avancerad inställning och vrid Volym/Stationsinställning/Val-ratten tills "Station List" blinkar på skärmen. Tryck på Volym/Stationsinställning/Val-ratten för att öppna stationslistan.
4. Vrid Volym/Stationsinställning/Val-ratten för att söka igenom listan med tillgängliga stationer. Tryck på ratten för att välja station.
5. Justera till önskad volym genom att vrida Volym/Stationsinställning/Val-ratten.

Visningslägen – DAB

Radion har en rad visningsalternativ i DAB-läge: Tryck på Infoknappen för att gå igenom de olika alternativen som visas med följande bokstäver (a. till g.).

- | | |
|-----------------|------------------------------------------------------------------------------|
| a. Stationsnamn | Visar namnet på den station som du lyssnar på. |
| b. Programtyp | Visar den typ av station som du lyssnar på t.ex. pop, klassisk, nyheter etc. |

- | | |
|---------------------------------|--------------------------------------------------------------------------------------------------|
| c. Multiplexnamn | Visar namnet på den DAB-multiplex som den aktuella stationen tillhör. |
| d. Klockslag och datum | Visar aktuell tid och datum. |
| e. Frekvens och kanal | Visar frekvensen och kanalnumret för aktuell inställd DAB-station. |
| f. Överföringshastighet/Ljudtyp | Visar den digitala överföringshastigheten för ljud och ljudtyp för aktuell inställd DAB-station. |
| g. Signalstyrka | Visar signalstyrkan för aktuell inställd DAB-station. |

Sök efter nya stationer – DAB

Då och då kan nya DAB-radiostationer bli tillgängliga. Eller du har kanske flyttat till en annan del av landet. Då kan du behöva aktivera din radio så att den söker efter nya stationer.

Vi rekommenderar att du gör en full sökning av hela DAB Band III-frekvenserna för att radion ska kunna hitta tillgängliga stationer.

1. Tryck på Auto-stationsinställningsknappen.
2. Din radio utför nu en full sökning av DAB-frekvenserna. Allteftersom nya stationer hittas, ökar stationsräknaren till vänster på displayen och stationer läggs till i listan.

Manuell stationsinställning – DAB

Manuell stationsinställning låter dig ställa in din radio till en bestämd DAB-frekvens på Band III. Denna funktion kan också användas för att hjälpa dig att ställa in antennen eller radion för att optimera mottagningen för en speciell kanal eller frekvens.

1. Tryck på knappen Avancerad inställning och vrid Volym/Stationsinställning/Val-ratten tills "Manual Tune" visas på displayen. Tryck på Volym/Stationsinställning/Val-ratten för att öppna manuellt stationsinställningsläge.
2. Vrid Volym/Stationsinställning/Val-ratten för att välja önskad DAB-kanal. Tryck på Volym/Stationsinställning/Val-ratten för att bekräfta vald frekvens.

Dynamisk omfångskontroll av ljud (DRC) – DAB

DRC-funktionen kan göra lägre ljud lättare att höra när din radio används på en bullrig plats genom att minska ljudsignalens dynamiska omfång.

Det finns tre nivåer av komprimering:

- | | |
|---------|-------------------------------|
| DRC 0 | Ingen komprimering tillämpas. |
| DRC 1/2 | Medelkomprimering tillämpas. |
| DRC 1 | Maxkomprimering tillämpas. |

1. Tryck på Strömbrytaren för att slå på radion.
2. Tryck på Bandknappen för att välja DAB-bandet.
3. Tryck på knappen Avancerad inställning och vrid Volym/Stationsinställning/Val-ratten tills "DRC Value" visas på displayen. Tryck på Volym/

- Stationsinställning/Val-ratten för att öppna inställningen. Displayen visar aktuellt DRC-värde.
4. Vrid Volym/Stationsinställning/Val-ratten för att välja önskad DRC-inställning.
 5. Tryck på Volym/Stationsinställning/Val-ratten för att bekräfta inställningen.

Ställ in stationsordning – DAB

Din radio har 3 stationsordningsinställningar från vilka du kan välja. Stationsordningsinställningarna är alfanumerisk, ensemble och giltig station.

1. Tryck på knappen Avancerad inställning.
2. Vrid Volym/Stationsinställning/Val-ratten tills "Station order" visas på displayen, tryck sedan på Volym/Stationsinställning/Val-ratten för att öppna inställningen.
3. Vrid Volym/Stationsinställning/Val-ratten för att välja följande alternativ och tryck på ratten för att bekräfta inställningen.

Alphanumeric	Sorterar stationslistan alfanumeriskt 0...9 A...Z
Ensemble	Organiserar stationslistan med DAB-multiplex
Valid	Visar endast de stationer där en signal kan hittas

Automatisk stationsinställning – FM

1. Tryck på Strömbrytaren för att slå på radion.
2. Välj önskat frekvensband genom att trycka på Bandknappen. Kontrollera att antennen har placerats för bästa FM-mottagning. Försök undvika att använda radion intill en dataskärm och annan utrustning som orsakar radiostörningar.
3. Tryck på Auto-stationsinställningsknappen och radion söker och stoppar automatiskt när den hittar en radiostation. Radion fortsätter att söka efter nästa tillgängliga station om inte användaren trycker på Auto-stationsinställningsknappen för att stoppa sökningen.
4. Vrid Volym/Stationsinställning/Val-ratten för att få önskad ljudnivå. Förändringar i ljudstyrka visas på LCD-displayen.

Obs:

För att hitta önskad station genom att använda Volym/Stationsinställning/Val-ratten ska du trycka på och håll in Volym/Stationsinställning/Val-ratten för att växla till stationsinställningsläget.

5. Tryck på Strömbrytaren för att stänga av radion.

FM sökområde

Vid användning av FM-läge kan din radio ställas in så att den söker antingen lokala stationer eller alla stationer inklusive avlägsna radiostationer.

Manuell stationsinställning – FM

1. Tryck på Strömbrytaren för att slå på radion.

2. Tryck på Bandknappen för att välja önskat frekvensband. Justera antennen enligt instruktionerna ovan.
3. Genom att vrida Volym/Stationsinställning/Val-ratten ändras frekvensen enligt följande:
FM: 50 eller 100 kHz

Obs:

För att hitta önskad station genom att använda Volym/Stationsinställning/Val-ratten ska du trycka på och håll in Volym/Stationsinställning/Val-ratten för att växla till stationsinställningsläget.

4. Fortsätt vrida på Volym/Stationsinställning/Val-ratten tills önskad frekvens visas på displayen.
5. Vrid Volym/Stationsinställning/Val-ratten för att få önskad ljudnivå.
6. Tryck på Strömbrytaren för att stänga av radion.

Visningsläge – FM

Radion har en rad av visningsalternativ för FM-radioläge: Upprepa tryckningar på Infoknappen för att gå igenom de olika alternativen.

- | | |
|------------------------|--------------------------------------------------------------------------|
| a. Programstation | Visar namnet på den station du lyssnar på. |
| b. Radiotext | Visar radiotextmeddelande såsom ny information etc. |
| c. Programtyp | Visar typ av station som du lyssnar på såsom pop, klassisk, nyheter etc. |
| d. Klockslag och datum | Visar aktuell tid och datum. |
| e. Frekvens | Visar frekvensen för FM-signalen. |

Spara stationer i förinställda minnen (DAB och FM)

Det finns 5 minnesförinställningar för varje våglängdsområde.

1. Tryck på Strömbrytaren för att slå på radion.
2. Ställ in radion på önskad station med hjälp av de metoder som tidigare beskrivits.
3. Tryck och håll in önskad Förinställningsknapp tills det förinställda numret visas på displayen t.ex. "P2 Saved". Stationen sparas sedan på Förinställningsknappen.
4. Upprepa denna procedur för kvarvarande förinställningar.
5. Stationer som finns sparade i förinställda minnen kan skrivas över genom att följa procedurerna som beskrivits ovan.

Återkalla stationer i förinställda minnen (DAB och FM)

1. Tryck på Strömbrytaren för att slå på radion.
2. Tryck på Bandknappen för att välja önskat frekvensband.
3. Tryck på önskad Förinställningsknapp ett ögonblick, förinställningsnumret och stationsfrekvensen kommer upp på displayen.

Språkalternativ (endast tillgängligt i DMR105)

Det finns fyra språkalternativ tillgängliga i radion: engelska, tyska, italienska och franska.

1. Tryck på knappen Avancerad inställning.
2. Vrid Volym/Stationsinställning/Val-ratten tills "Language" visas på displayen. Tryck på Volym/Stationsinställning/Val-ratten för att öppna inställningen.
3. Vrid Volym/Stationsinställning/Val-ratten för att välja önskat språk. Tryck på Volym/Stationsinställning/Val-ratten för att bekräfta inställningen.

Ljusreglering

Displayens bakgrundslys justeras.

1. Tryck på knappen Avancerad inställning.
2. Vrid Volym/Stationsinställning/Val-ratten tills "Backlight" visas på displayen. Tryck på Volym/Stationsinställning/Val-ratten för att öppna inställningen.
3. Vrid Volym/Stationsinställning/Val-ratten för att välja, aktivera eller inaktivera bakgrundslyset, tryck sedan på Volym/Stationsinställning/Val-ratten för att bekräfta inställningen.

Systemåterställning

Om din radio inte fungerar korrekt eller om några siffror på displayen saknas eller är ofullständiga, ska följande procedur utföras.

1. Tryck på knappen Avancerad inställning.
2. Vrid Volym/Stationsinställning/Val-ratten tills "Factory Reset" visas på displayen. Tryck på Volym/Stationsinställning/Val-ratten för att öppna inställningen.
3. Vrid Volym/Stationsinställning/Val-ratten för att välja "Yes". Tryck på Volym/Stationsinställning/Val-ratten för att bekräfta inställningen och en full återställning utförs.

Mjukvaruversion

1. Tryck på knappen Avancerad inställning.
2. Vrid Volym/Stationsinställning/Val-ratten tills "SW Version" visas på displayen. Tryck på Volym/Stationsinställning/Val-ratten för att se vilken mjukvaruversion som är installerad i radion.

Mikro-USB-port för mjukvaruuppdatering

Mjukvaruuppdateringar för din radio kan finnas tillgängliga i framtiden.

När mjukvaruuppdateringar blir tillgängliga kan mjukvara och information om hur du uppdaterar din radio hittas på

Makitas webbplats.

Så här spelar du upp andra ljudkällor

⚠ FÖRSIKTIGHET:

Koppla loss den här apparaten från elnätet innan du ansluter andra ljudkällor.

- Det finns 2 AUX-IN-uttag. AUX-IN 1 är placerat på framsidan och AUX-IN 2 i batterifacket.
- Anslut en stereo- eller monokälla (dvs iPod, MP3 eller CD-spelare) till AUX-IN 1 eller AUX-IN 2 med en ljudkabel.
- Tryck upprepade gånger på Bandknappen tills "AU1" eller "AU2" visas för att aktivera AUX-funktionen.

UNDERHÅLL

⚠ FÖRSIKTIGHET:

- Använd inte bensin, thinner, alkohol eller liknande. Missfärgning, deformation eller sprickor kan uppstå.

Specifikationer:

Strömkrav

AC-adapter	DC12 V 1A, mittstiftet positivt
Batteri	Klusterbatteri: 7,2 V - 18 V Glidbatteri: 9,6 V - 18 V
Frekvensområde	FM 87,50 - 108 MHz DAB/DAB+ 174,928 - 239,200 MHz
DAB/DAB+ kanalblock	DAB (Band III) 5A-13F
Kompatibel standard	DAB (DMR104) DAB/DAB+ (DMR105)

Egenskaper

Högtalare	3 tum 8 ohm
Uteffekt	7,2 V: 0,5 W x 2, 9,6 V: 1 W x 2 10,8 V: 1,2 W x 2, 12 V: 1,5 W x 2 14,4 V: 2,2 W x 2, 18 V: 3,5 W x 2
Ingång för extern enhet	3,5 mm dia. (AUX-IN1/AUX-IN2)
Antennsystem	DAB/FM: antenn
Storlek (B x H x D) i mm	280 x 302 x 163
Vikt	4 kg (utan batteri)

NORSK (Originalinstruksjoner)

Symboler

Nedenfor ser du symbolene som brukes for dette utstyret. Forsikre deg om at du forstår hva de betyr før bruk.



Les bruksanvisningen.



Gjelder bare for EU-land
Kast aldri elektriske produkter eller batterier i husholdningsavfallet!

I henhold til EU-direktiv 2002/96/EF om kasserte elektriske og elektroniske produkter og direktiv 2006/66/EF om batterier og akkumulatører og brukte batterier og akkumulatører, og deres iverksetting i nasjonal rett, må elektriske produkter og batterier som ikke lenger skal brukes, samles separat og returneres til et miljøvennlig gjenvinningsanlegg.

VIKTIGE SIKKERHETSINSTRUKSJONER

⚠ ADVARSEL:

Når du bruker elektrisk verktøy, må du alltid følge de grunnleggende sikkerhetsanvisningene, inklusive de nedenstående. Dette vil redusere faren for brann, elektrisk støt og personskader.

1. Les grundig gjennom denne bruksanvisningen og bruksanvisningen for laderen før bruk.
2. Rengjør bare med en ren klut.
3. Installer ikke nær varmekilder som for eksempel radiatorer, varmemålere, varmeovner eller annet utstyr (inkludert forsterkere) som produserer varme.
4. Bruk bare festeanordninger/tilleggsutstyr som er spesifisert av produsenten.
5. Trekk ut kontakten til apparatet ved lyn og torden, eller når apparatet ikke skal brukes over lengre tid.
6. En batteridrevet radio med integrerte batterier eller separat batteripakke må bare lades med den medfølgende laderen. En lader som passer til én batteritype, kan være brannfarlig når den brukes med en annen batteritype.
7. Bruk den batteridrevne radioen kun med spesifikt angitte batteripakker. Bruk av alle andre batterier kan føre til brannfare.
8. Når batteripakken ikke er i bruk, skal du holde den unna andre metallgjenstander, som f.eks.: papirklips, mynter, nøkler, spiker, skruer eller andre små metallobjekter som kan danne en forbindelse fra én pol til en annen. Hvis batteripolene kortsluttes, kan du få brannså, eller det kan begynne å brenne.
9. Unngå kroppskontakt med jodede overflater, som rør, radiatorer, komfyrer og kjøleskap. Hvis kroppen din er jordet, er risikoen større for at du får elektrisk støt.
10. Hvis batteriet utsettes for hardhendt bruk, kan det lekke ut væske fra batteriet. Unngå kontakt med væsken. Hvis du kommer i kontakt med batterivæske, må du skylle med vann. Hvis du får batterivæske i

øyene, må du i tillegg oppsøke lege. Væske fra batteriet kan forårsake irritasjon eller forbrenninger.

11. Støpselet til NETTSTRØM brukes som frakoblingsenhet, og skal være lett tilgjengelig.

TA VARE PÅ DISSE INSTRUKSJONENE

VIKTIGE SIKKERHETSINSTRUKSJONER

FOR BATTERIET

1. Før du bruker batteriet, må du lese alle instruksjoner og advarler på (1) batteriladeren, (2) batteriet og (3) det produktet batteriet skal brukes i.
2. Ikke ta fra hverandre batteriet.
3. Hvis driftstiden er blitt vesentlig kortere, må du omgående slutte å bruke verktøyet. Hvis du ikke gjør det, kan dette føre til overoppheting, mulige forbrenninger og til og med en eksplosjon.
4. Hvis du får elektrolytt i øynene, må du skylle øynene med store mengder rennende vann og oppsøke lege med én gang. Denne typen uhell kan føre til varig blindhet.
5. Ikke kortslett batteriet.
 - (1) Ikke berør batteripolene med ledende materialer.
 - (2) Ikke lagre batteriet i samme beholder som andre metallgjenstander, som for eksempel spiker, mynter osv.
 - (3) Ikke la batteriet komme i kontakt med vann eller regn. Kortslutning av batteriet kan føre til kraftig strømsstøt, overoppheting, mulig brannskader – og til og med linjebrudd.
6. Ikke lagre maskinen og batteriet på steder hvor temperaturen kan komme opp i 50 °C (122 °F) eller mer.
7. Ikke sett fyr på batteriet, heller ikke om det er sterkt skadet eller helt oppbrukt. Batteriet kan eksplodere hvis det begynner å brenne.
8. Vær forsiktig så du ikke mister batteriet eller utsetter det for slag.
9. Ikke bruk et skadet batteri.

Funksjoner:

- FM/DAB eller DAB+
- Stor, opplyst LCD-skjerm
- Manuell innstilling / forhåndsinnstilling / skanneinnstilling
- Roteringsinnstilling og lydkontroll
- Fem forhåndsinnstilte kanaler for hver båndfrekvens
- Micro USB-port for oppgradering av programvare
- Stereohøytaler for rik lydopplevelse
- Ultrasolid utforming
- Motstandsdyktig mot vann, IPX 4
- Strøm fra Makita batteripakke og medfølgende strømadapter

Forklaring til oversikten

Kontroller

1. På/Av-knapp
2. Knapp for båndfrekvens
3. Knapp for avanserte innstillinger
4. Info-knapp
5. Knapp for forhåndsinnstilling
6. Autoinnstillingsknapp
7. Volum-/innstillingskontroll-/valgknapp
8. Likestrøminngang
9. AUX IN 1
10. LCD-skjerm
11. Gummiantenne
12. Håndtak
13. Batterirom (dekker hovedbatteriet)
14. Høytaler

15. Lås til batterirom
16. Inngangsterminal (AUX IN 2)
17. Hovedbatterirom
18. Micro USB-port for oppgradering av programvare
19. Rød indikator
20. Knapp
21. Batteri
22. Støttestang

Sette inn batterier

Merk:

1. Trekk ut låsen til batterirommet for å åpne. (Fig. 2)
2. Sett inn hovedbatteriet for å gi strøm til radioen.
Egnede batterier for denne radioen er listet opp i tabellen nedenfor.

Følgende tabeller indikerer driftstid for en enkeltoppladning.

Batterispenning						VED HØYTALEREFFEKT = 50 mW + 50 mW enhet: Time
7,2 V	9,6 V	10,8 V	12 V	14,4 V	18 V	
BL7010						Ca. 4,5
	PA09		PA12	PA14	PA18	Ca. 6,5
	9050		1250	1450	1850	
	9051		1251	1452	1852	
	9100		1200	1420	BL1815	
	9120	BL1013	1220	BL1415		
	9100A		1200A			
					BL1815N	Ca. 9,0
	9102		1202	1422	1822	Ca. 10,0
	9122		1222	BH1420		
	9102A		1202A			
	BH9020		BH1220			
	BH9020A		BH1220C			
	9134		1234	1434	1834	Ca. 14,5
				BH1427		Ca. 15,0
	9135		1235	1435	1835	Ca. 17,0
				1435F	BL1830	
			1235F	BL1430		
	BH9033		BH1233	BH1433		Ca. 18,0
	BH9033A		BH1233C			
				BL1440	BL1840	Ca. 24,0

: Klassebatteri

: Glidebatteri

ADVARSEL:

Ikke bruk de to hovedbatteriene samtidig.

3-1. Sette inn eller fjerne glidebatteriet (Fig. 4)

- Når du skal sette inn batteriet, må du plassere tungen på batteriet på linje med sporet i huset og skyve batteriet på plass. Batteriet må alltid skyves helt inn til det går på plass med et lite klikk.

- Hvis du kan se den røde indikatoren på oversiden av knappen, har batteriet ikke gått skikkelig i lås. Sett batteriet helt inn til den røde indikatoren ikke lenger er synlig. Hvis du ikke gjør dette, kan batteriet falle ut av maskinen og skade deg eller andre som oppholder seg i nærheten.
- Ikke bruk makt når du setter inn batteriet. Hvis batteriet ikke glir lett inn, er det fordi det ikke settes inn på riktig måte.

- For å ta ut batteriet må du skyve på knappen foran på batteriet og trekke det ut eller trykke på knappene på begge sider av batteriet.

ADVARSEL:

Ikke bruk de to hovedbatteriene samtidig.

3-2. Sette inn eller ta ut klasebatteriet (Fig. 5–9)

- Trekk i støttestangen for å sette batteriet inn i terminalen.
 - Når du skal sette inn batteriet, må du plassere tungen på batteriet på linje med sporet i huset og skyve batteriet på plass.
 - Løs ut støttestangen.
 - For å fjerne batteriet trekker du i støttestangen og tar batteriet ut av terminalen.
4. Sett låsen til batterirommet tilbake i opprinnelig posisjon.
 5. Redusert kraft, forvrengning og en "hakkete lyd" er tegn på at hovedbatteriet må byttes ut.

Merk:

Batteriet kan ikke lades opp med den medfølgende vekselstrømadapteren.

Installere gummiantennen (Fig. 10 og 11)

Installer gummiantennen som vist på figuren.

Merk:

Det er et siderom i batterirommet som er ment for oppbevaring av den fjernede antennen.

Bruke den medfølgende vekselstrømadapteren (Fig. 12)

Fjern gummibeskyttelsen, og sett inn adapterpluggen i likestrøminngangen på fremsiden av radioen. Plugg adapteren inn i et standard hovedstrømuttak. Når adapteren brukes, kobles batteriet automatisk fra. Vekselstrømadapteren skal kobles fra hovedstrømforsyningen når den ikke er i bruk.

Bruk av radioen

Denne radioen har tre innstillingsmetoder – Skanneinnstilling, Manuell innstilling og Fremhenting via minne.

Velge en kanal – DAB

1. Trykk på På/Av-knappen for å slå på radioen.
2. Velg DAB-modus ved å trykke på knappen for båndfrekvens.
3. Trykk på knappen for avansert innstilling, og vri på volum-/innstillingskontroll-/valgknappen til "Station List" blinker på skjermen. Trykk ned volum-/innstillingskontroll-/valgknappen for å se listen over kanaler.
4. Vri på volum-/innstillingskontroll-/valgknappen for å gå gjennom listen over kanaler. Trykk på knappen for å velge kanal.
5. Juster ønsket volum ved å rotere volum-/innstillingskontroll-/valgknappen.

Visningsmodi – DAB

Radioen har en rekke visningsalternativer i DAB-modus: Trykk på Info-knappen for å bla gjennom de forskjellige alternativene som vises under følgende bokstaver (a. til g.).

- | | |
|--------------------------|--------------------------------------------------------------------------------|
| a. Station name | Viser navnet til kanalen du lytter til. |
| b. Program type | Viser hvilken type kanal du lytter til, f.eks. Pop, Klassisk, Nyheter osv. |
| c. Multiplex name | Viser navnet på DAB-multiplexset som kanalen tilhører. |
| d. Time & date | Viser tidspunkt og dato. |
| e. Frequency and channel | Viser frekvens og kanalnummer for DAB-kanalen du lytter til. |
| f. Bit rate/Audio type | Viser bithastigheten for digital lyd og lydtype for DAB-kanalen du lytter til. |
| g. Signal strength | Viser signalstyrken for DAB-kanalen du lytter til. |

Finne nye kanaler – DAB

Nye DAB-kanaler kan bli tilgjengelige fra tid til annen. Eller du kan ha flyttet til et nytt område. I dette tilfellet må du kanskje få radioen til å søke etter nye kanaler. Hvis du vil få radioen til å finne tilgjengelige kanaler, anbefales det at du utfører en fullstendig skanning av alle DAB-bånd III-frekvensene.

1. Trykk på autoinnstillingsknappen.
2. Radioen vil utføre en fullstendig skanning av DAB-frekvenser. Etter hvert som nye kanaler blir funnet, vil kanal telleren til venstre på skjermen øke og kanaler vil bli lagt til i listen.

Manuell innstilling – DAB

Med manuell innstilling kan du stille inn radioen til en bestemt DAB-frekvens i bånd III. Denne funksjonen kan også brukes til å avgjøre plassering av antennen eller radioen for å optimalisere mottak for en bestemt kanal eller frekvens.

1. Trykk på knappen for avansert innstilling, og vri på volum-/innstillingskontroll-/valgknappen til "Manual Tune" vises på skjermen. Trykk ned volum-/innstillingskontroll-/valgknappen for å gå inn i modus for manuell innstilling.
2. Roter volum-/innstillingskontroll-/valgknappen for å velge ønsket DAB-kanal. Trykk ned volum-/innstillingskontroll-/valgknappen for å bekrefte den valgte frekvensen.

Kontroll for dynamisk område (DRC) – DAB

DRC-funksjonen kan gjøre det enklere å høre svake lyder når radioen brukes i et støyende miljø ved å redusere det dynamiske spekteret til lydsignalet.

Det er tre nivåer av komprimering:

- | | |
|---------|-------------------------------|
| DRC 0 | Ingen komprimering brukes. |
| DRC 1/2 | Medium komprimering brukes. |
| DRC 1 | Maksimal komprimering brukes. |

1. Trykk på På/Av-knappen for å slå på radioen.
2. Trykk på knappen for båndfrekvens for å velge DAB-bånd.
3. Trykk på knappen for avansert innstilling, og vri på volum-/innstillingskontroll-/valgknappen til "DRC Value" vises på skjermen. Trykk deretter ned volum-/innstillingskontroll-/valgknappen for å gå inn i innstillingen. Skjermen vil vise gjeldende DRC-verdi.
4. Roter volum-/innstillingskontroll-/valgknappen for å velge ønsket innstilling for DRC.
5. Trykk ned volum-/innstillingskontroll-/valgknappen for å bekrefte innstillingen.

Konfigurasjon av kanalrekkefølge – DAB

Radioen har 3 innstillinger for kanalrekkefølge som du kan velge mellom. Valgene er alfanumeric, ensemble og valid station.

1. Trykk på knappen for avanserte innstillinger.
2. Vri på volum-/innstillingskontroll-/valgknappen til "Station order" vises på skjermen, og klikk deretter på volum-/innstillingskontroll-/valgknappen for å gå inn i innstillingen.
3. Vri på volum-/innstillingskontroll-/valgknappen for å velge mellom følgende alternativer og trykk ned knappen for å bekrefte innstillingen.

Alphanumeric	Sorterer kanallisten i alfanumerisk rekkefølge 0...9 A...Z
Ensemble	Sorterer kanallisten etter DAB-multiplex
Valid	Viser bare gyldige kanaler som et signal kan bli funnet for

Skanneinnstilling – FM

1. Trykk på På/Av-knappen for å slå på radioen.
2. Velg ønsket båndfrekvens ved å trykke på knappen for båndfrekvens. Kontroller at gummiantennen er godt plassert for best mulig FM-mottak. Prøv å unngå bruk av radioen i nærheten av en dataskjerm og annet utstyr som kan forårsake interferens.
3. Trykk på autoinnstillingsknappen så vil radioen søke og stoppe automatisk når den finner en radiokanal. Radioen vil fortsette å søke etter neste tilgjengelige kanal med mindre brukeren trykker på autoinnstillingsknappen for å stoppe skanningen.
4. Roter volum-/innstillingskontroll-/valgknappen for å velge ønsket lydnivå. LCD-skjermen vil indikere det endrede lydnivået.

Merk:

For å bruke volum-/innstillingskontroll-/valgknappen for å finne ønsket kanal, trykk og hold nede volum-/innstillingskontroll-/valgknappen for å endre til modus for innstillingskontroll.

5. For å slå av radioen, trykk på På/Av-knappen.

Skanningsone for FM

Når du bruker FM-modus, kan radioen stilles inn til å skanne enten lokale kanaler eller til å skanne alle kanaler inkludert fjerne radiokanaler.

Manuell innstilling – FM

1. Trykk på På/Av-knappen for å slå på radioen.
 2. Trykk knappen for båndfrekvens for å velge ønsket båndfrekvens. Juster antennen som beskrevet ovenfor.
 3. Én enkelt dreining av volum-/innstillingskontroll-/valgknappen vil endre frekvensen i følgende intervaller:
FM: 50 eller 100 kHz
- Merk:**
For å bruke volum-/innstillingskontroll-/valgknappen for å finne ønsket kanal, trykk og hold nede volum-/innstillingskontroll-/valgknappen for å endre til modus for innstillingskontroll.
4. Fortsett å vri på volum-/innstillingskontroll-/valgknappen inntil ønsket frekvens vises på skjermen.
 5. Roter volum-/innstillingskontroll-/valgknappen for å velge ønsket lydnivå.
 6. For å slå av radioen, trykk på På/Av-knappen.

Visningsmodi – FM

Radioen har en rekke visningsalternativer for FM-radiomodus.

Trykk på Info-knappen flere ganger for å bla gjennom de forskjellige valgene.

- | | |
|-----------------|----------------------------------------------------------------------------|
| a. Programkanal | Viser navnet til kanalen du lytter til. |
| b. Radio text | Viser en tekstmelding, f.eks. nye elementer osv. |
| c. Program type | Viser hvilken type kanal du lytter til, f.eks. Pop, Klassisk, Nyheter osv. |
| d. Time & date | Viser tidspunkt og dato. |
| e. Frequency | Indikerer frekvensen for FM-signalet. |

Lagre kanaler i forhåndsinnstilte minner (DAB og FM)

Det finnes fem forhåndsinnstilte minner for hver båndfrekvens.

1. Trykk på På/Av-knappen for å slå på radioen.
2. Vri til ønsket kanal ved hjelp av en av de tidligere beskrevne metodene.
3. Trykk og hold nede ønsket forhåndsinnstillingsknapp til forhåndsinnstillingstallet som vises på skjermen, for eksempel "P2 Saved". Kanalen lagres deretter i den valgte forhåndsinnstillingsknappen.
4. Gjenta denne framgangsmåten for resten av forhåndsinnstillingene.
5. Kanaler som er lagret i forhåndsinnstilte minner, kan overskrives ved å følge ovennevnte framgangsmåte.

Velge kanaler i forhåndsinnstilte minner (DAB og FM)

1. Trykk på På/Av-knappen for å slå på radioen.
2. Trykk på knappen for båndfrekvens for å velge ønsket båndfrekvens.
3. Trykk kort på den ønskede knappen for Forhåndsinnstilling og det forhåndsinnstilte sifferet og kanalfrekvensen vil vises på skjermen.

Språkalternativer (bare tilgjengelig i DMR105)

Det finnes fire alternativer for språk i radioen: Engelsk, tysk, italiensk og fransk.

1. Trykk på knappen for avanserte innstillinger.
2. Fortsett å vri på volum-/innstillingskontroll-/valgknappen inntil "Language" vises på skjermen. Trykk ned volum-/innstillingskontroll-/valgknappen for å bekrefte innstillingen.
3. Roter volum-/innstillingskontroll-/valgknappen for å velge ønsket språk. Trykk ned volum-/innstillingskontroll-/valgknappen for å bekrefte innstillingen.

Lysstyrkekontroll

Bakgrunnslyset på skjermen kan justeres.

1. Trykk på knappen for avanserte innstillinger.
2. Fortsett å vri på volum-/innstillingskontroll-/valgknappen inntil "Backlight" vises på skjermen. Trykk ned volum-/innstillingskontroll-/valgknappen for å bekrefte innstillingen.
3. Vri på volum-/innstillingskontroll-/valgknappen til for å slå bakgrunnslyset av eller på, og klikk deretter på volum-/innstillingskontroll-/valgknappen for å gå inn i innstillingen.

Tilbakestilling av systemet

Hvis radioen din ikke fungerer riktig eller enkelte siffer på skjermen mangler eller er ufullstendige, utfør følgende.

1. Trykk på knappen for avanserte innstillinger.
2. Fortsett å vri på volum-/innstillingskontroll-/valgknappen inntil "Factory Reset" vises på skjermen. Trykk ned volum-/innstillingskontroll-/valgknappen for å bekrefte innstillingen.
3. Roter volum-/innstillingskontroll-/valgknappen for å velge "Yes". Trykk volum-/innstillingskontroll-/valgknappen for å bekrefte innstillingen, og en full tilbakestilling vil bli utført.

Programwareversjon

1. Trykk på knappen for avanserte innstillinger.
2. Fortsett å vri på volum-/innstillingskontroll-/valgknappen inntil "SW Version" vises på skjermen. Trykk på volum-/innstillingskontroll-/valgknappen for å vise programwareversjonen som er installert på radioen.

Micro USB-port for oppgradering av programvare

Programvareoppdateringer for radioen kan bli tilgjengelige i fremtiden.

Når programvareoppdateringer blir tilgjengelige vil programvare og informasjon om hvordan du oppdaterer radioen finnes på [Makitas nettside](#).

Slik spiller du av fra andre lydkilder

⚠ FORSIKTIG:

Koble fra dette apparatet før du kobler til andre lydkilder.

- Det er to AUX IN-innganger. AUX IN 1 er plassert på frontpanelet og AUX IN 2 er plassert i batterirommet.
- Koble stereo- eller monokilder (f.eks. iPod-, MP3- eller CD-spiller) enten til AUX IN 1 eller AUX IN 2 med en lydkabel.
- Trykk på knappen for båndfrekvens flere ganger inntil "AU1" eller "AU2" vises. AUX-funksjonen er nå aktivert.

VEDLIKEHOLD

⚠ FORSIKTIG:

- Aldri bruk gasolin, bensin, tynner, alkohol eller lignende. Det kan føre til misfarging, deformering eller sprekkdannelse.

Spesifikasjoner:

Strømkrav

AC-strømadapter	DC12 V 1A, midtre pinne positiv
Batteri	Klasebatteri: 7,2 V - 18 V Glidebatteri: 9,6 V - 18 V
Frekvensområde	FM 87,50 – 108 MHz DAB/DAB+ 174,928 - 239,200 MHz
DAB/DAB+ Kanal-blokk	DAB (bånd III) 5A-13F
Kompatibel standard	DAB (DMR104) DAB/DAB+ (DMR105)

Kretsløpsfunksjon

Høyttaler	3 tommer 8 ohm
Utgangseffekt	7,2 V: 0,5 W x 2, 9,6 V: 1 W x 2 10,8 V: 1,2 W x 2, 12 V: 1,5 W x 2 14,4 V: 2,2 W x 2, 18 V: 3,5 W x 2 3,5 mm dia. (AUX IN1 / AUX IN2)
Inngangsterminal	
Antennesystem	DAB/FM: gummiante
Dimensjoner (B x H x D) i mm	280 x 302 x 163
Vekt	4 kg (uten batteri)

SUOMI (Alkuperäiset ohjeet)

Merkkien selitykset

Laitteessa on käytetty seuraavia symboleja. Varmista ennen käyttöä, että ymmärrät niiden merkityksen.



Lue käyttöohje.



Cd
Ni-MH
Li-Ion

Koskee vain EU-maita

Älä hävitä sähkölaitteita tai akkuja kotitalousjätteen mukana!

Sähkö- ja elektroniikkalaiteromua koskevan eurooppalaisen direktiivin 2002/96/EY ja paristoja ja akkuja sekä käytettyjä paristoja ja akkuja koskevan direktiivin 2006/66/EY ja näiden maakohtaisten sovellusten mukaisesti käytetyt sähkölaitteet ja akut on toimitettava ongelmajätteen keräyspisteeseen ja ohjattava ympäristöstävälliseen kierrätykseen.

TÄRKEITÄ TURVAOHJEITA

VAROITUS:

Sähkötyökaluja käytettäessä on tulipalo-, sähköisku- ja loukkaantumisriskin pienentämiseksi huolehdittava aina muun muassa seuraavista perusvaroitimista:

1. Lue tämä käyttöopas ja laturin käyttöopas huolellisesti ennen käyttöä.
2. Puhdista laite vain kuivalla liinalla.
3. Älä asenna lämmönlähteiden, esimerkiksi lämpöpatterien, lämmityskanavien, uunien tai muiden lämpöä tuottavien laitteiden (esimerkiksi vahvistimien) lähelle.
4. Käytä vain valmistajan suosittelemia lisävarusteita ja laitteita.
5. Irrota laitteen virtajohto pistorasiasta ukkosmyrskyn ajaksi tai jos laitetta ei käytetä pitkään aikaan.
6. Kiinteällä tai irrallisella akulla varustetun akkukäyttöisen työmaaradion saa ladata vain kyseiselle akulle tarkoitettulla laturilla. Tietyntyyppiselle akulle sopiva laturi voi aiheuttaa tulipalovaaran, jos sitä käytetään toisentyypisen akun kanssa.
7. Käytä akkukäyttöistä työmaaradiota vain valmistajan ohjeiden mukaisten akkujen kanssa. Muiden akkujen käyttö voi aiheuttaa tulipalon.
8. Kun akku ei ole käytössä, pidä se erillään metalliesineistä, esimerkiksi paperiliittimistä, kolikoista, avaimista, nautoista, ruuveista ja muista pienistä metalliesineistä, jotka voivat aiheuttaa oikosulun napojen välille. Akun napojen oikosulkeminen voi aiheuttaa palovamman tai tulipalon.
9. Vältä vartalogosketusta maadoitettuihin pintoihin, kuten putkiin, lämpöpattereihin, liesiin ja jääkaappeihin. Sähköiskun vaara kasvaa, jos vartalosi on maadoitettu.
10. Akusta voi vuotaa nestettä, jos sitä käsitellään väärin. Vältä kosketusta. Jos nestettä pääsee iholle vahingossa, huuhtele iho vedellä. Jos nestettä pääsee

silmiin, hakeudu lääkärin hoitoon. Akkunesteet voivat ärsyttää ihoa tai aiheuttaa palovammoja.

11. Laitteen virta katkaistaan irrottamalla virtajohto, ja sen on oltava aina käytettävissä.

SÄILYTÄ NÄMÄ OHJEET

TÄRKEITÄ TURVAOHJEITA

AKKU

1. Ennen akun käyttöönottoa tutustu kaikkiin laturissa (1), akussa (2) ja akkukäyttöisessä tuotteessa (3) oleviin varoitusteksteihin.
2. Älä pura akkua.
3. Jos akun toiminta-aika lyhenee merkittävästi, lopeta akun käyttö. Seurauksena voi olla ylikuumeneminen, palovammoja tai jopa räjähdys.
4. Jos elektrolyyttiä pääsee silmiin, huuhtele puhtaalla vedellä ja hakeudu välittömästi lääkärin hoitoon. Seurauksena voi olla sokeutuminen.
5. Älä saata akkua oikosulkuun:
 - (1) Älä koske akun napoihin millään sähköä johtavalla materiaalilla.
 - (2) Älä säilytä akkua yhdessä muiden metalliesineiden, kuten nautojen, kolikoiden yms. kanssa.
 - (3) Älä altista akkua vedelle tai sateelle. Akun oikosulku voi aiheuttaa voimakkaan sähkövirran, palovammoja ja jopa laitteen rikkoutumisen.
6. Älä säilytä laitetta ja akkua paikassa, jossa lämpötila voi nousta 50 °C:een tai sitäkin korkeammaksi.
7. Älä hävitä akkua polttamalla, vaikka se olisi pahoin vaurioitunut tai täysin loppuun kulunut. Avotuli voi saada akun räjähtämään.
8. Varo kolhimasta tai pudottamasta akkua.
9. Älä käytä vahingoittunutta akkua.

Ominaisuudet:

- FM/DAB tai DAB+
- Suuri valaistu LCD-näyttö
- Viritys manuaalisesti/esivalinnoilla/hakutoiminnolla
- Viritys ja äänenvoimakkuuden säätö nuppia kiertämällä
- 5 esivalittua asemaa kullakin aaltoalueella
- Micro USB -liitäntä ohjelmistopäivitystä varten
- Hyvän äänentoiston tarjoava stereokaiutin
- Erittäin kestävä rakenne
- Vesitiivisyys IPX 4
- Virtalähteenä sekä Makitan akku että mukana toimitettu muuntaja

Yleisnäkymän selitykset

Säätimet

1. Virtapainike
2. Aaltoalueen valintapainike
3. Lisäasetuspainike
4. Infopainike
5. Esivalintapainike
6. Automaattivirityspainike
7. Äänenvoimakkuus-, viritys- ja valintasäädin
8. DC IN -liitäntä

9. AUX IN 1 -liitäntä
10. LCD-näyttö
11. Piiska-antenni
12. Kahva
13. Akkutila (sisältää pääakun)
14. Kaiutin
15. Akkutilan lukitsin
16. Tuloliitäntä (AUX IN 2)
17. Pääakku
18. Micro USB -liitäntä ohjelmistopäivitystä varten
19. Punainen ilmaisin
20. Painike

21. Akku
22. Pidiketanko

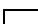
Akun asennus

Huomautus:

1. Vapauta akkutila vetämällä akkutilan lukitsin ulos. **(kuva 2)**
2. Aseta työmaaradion virtalähteenä toimiva pääakku paikalleen. Työmaaradioon sopivat akut on lueteltu seuraavassa taulukossa.

Seuraavissa taulukoissa kerrotaan käyttäjät yhdellä latauksella.

Akun jännite						KUN KAIUTTIMEN LÄHTÖTEHO ON 50 mW + 50 mW yksikkö: tunti
7,2 V	9,6 V	10,8 V	12 V	14,4 V	18 V	
BL7010						Noin 4,5
	PA09		PA12	PA14	PA18	Noin 6,5
	9050		1250	1450	1850	
	9051		1251	1452	1852	
	9100		1200	1420	BL1815	
	9120	BL1013	1220	BL1415		
	9100A		1200A			
					BL1815N	Noin 9,0
	9102		1202	1422	1822	Noin 10,0
	9122		1222	BH1420		
	9102A		1202A			
	BH9020		BH1220			
	BH9020A		BH1220C			
	9134		1234	1434	1834	Noin 14,5
				BH1427		Noin 15,0
	9135		1235	1435	1835	Noin 17,0
				1435F	BL1830	
			1235F	BL1430		
	BH9033		BH1233	BH1433		Noin 18,0
	BH9033A		BH1233C			
				BL1440	BL1840	Noin 24,0

 : ryhmäakku

 : liukulukitusakku

VAROITUS:

Älä käytä kahta pääakkuu samanaikaisesti.

3-1. Liukulukitusakun kiinnitys ja irrotus (kuva 4)

- Kiinnitä akku sovittamalla akun kieleke rungon uraan ja työntämällä akku sitten paikoilleen. Työnnä akku pohjaan asti niin, että kuulet sen napsahavan paikoilleen.
- Jos painikkeen yläpuolella näkyy punainen ilmaisin, akku ei ole lukkiutunut täysin paikoilleen. Työnnä akku pohjaan asti, niin että ilmaisin ei enää näy. Jos akkusovitin ei ole kunnolla paikallaan, se voi pudota

työkalusta ja aiheuttaa vammoja joko käyttäjälle tai sivullisille.

- Älä käytä voimaa, kun kiinnität akkuu paikalleen. Jos akku ei mene paikalleen helposti, se on väärässä asennossa.
- Irrota akku vetämällä se ulos työkalusta painaen samalla akun etupuolella olevaa painiketta tai molemmilla puolilla olevia painikkeita.

VAROITUS:

Älä käytä kahta pääakkuu samanaikaisesti.

3-2. Ryhmäakun kiinnitys ja irrotus (kuva 5–9)

- Vedä pidiketangosta siten, että akun voi asettaa paikalleen.
 - Akku kiinnitetään sovittamalla akun kieleke kotolon uraan ja työntämällä se sitten paikoilleen.
 - Vapauta pidiketanko.
 - Jos haluat irrottaa akun, vedä pidiketangosta ja ota akku pois laitteesta.
4. Palauta akkutilan lukitsin alkuperäiseen asentoonsa.
5. Tehon pieneneminen ja äänen vääristyminen tai katkeileminen merkkejä siitä, että pääakku on tarpeen vaihtaa.

Huomautus:

Akkua ei voi ladata laitteen mukana toimitetulla verkkovirtasovittimella.

Piiska-antennin asentaminen (kuva 10–11)

Asenna piiska-antenni kuvassa esitetyllä tavalla.

Huomautus:

Akkutilassa on säilytyspaikka irrotetulle antennille.

Mukana toimitetun verkkovirtasovittimen käyttö (kuva 12)

Irrota kuminen suojus ja työnnä sovittimen pistoke työmaaradion etupuolella olevaan DC-liitäntään. Liitä sovitin tavalliseen pistorasiaan. Kun verkkovirtasovittinta käytetään, akkuvirta kytkeytyy automaattisesti pois käytöstä. Verkkovirtasovitin tulee irrottaa pistorasiasta, kun sitä ei käytetä.

Radion käyttäminen

Radion voi viritää kolmella eri tavalla: hakutoiminnolla, manuaalisella virityksellä ja valitsemalla muistiin tallennettuja esivalittuja asemia.

Aseman valinta – DAB

1. Kytke työmaaradiioon virta painamalla virtapainiketta.
2. Valitse DAB-tila painamalla aaltoalueen valintapainiketta.
3. Paina lisäasetuspainiketta ja kierrä äänenvoimakkuus-, viritys- ja valintasäädintä, kunnes asemaluettelo (Station List) välkky näytössä. Siirry asemaluettelon painamalla äänenvoimakkuus-, viritys- ja valintasäädintä.
4. Selaa valittavissa olevien asemien luetteloa kiertämällä äänenvoimakkuus-, viritys- ja valintasäädintä. Valitse haluamasi asema painamalla säädintä.
5. Säädä äänenvoimakkuus haluamaksesi kiertämällä äänenvoimakkuus-, viritys- ja valintasäädintä.

Näytön tilat – DAB

Työmaaradiossa on DAB-tilassa erilaisia näyttövaihtoehtoja:

Voit selata seuraavassa lueteltuja vaihtoehtoja (a–g) infopainikkeella.

- a. Aseman nimi Näyttää parhaillaan kuunneltavan aseman nimen.

- b. Ohjelmatyypin Näyttää kuunneltavan aseman tyyppin, esimerkiksi Pop, Klassinen, Uutiset jne.
- c. Kanavanipun nimi Näyttää DAB-kanavanipun, johon nykyinen asema kuuluu.
- d. Kellonaika ja päivämäärä Näyttää senhetkisen kellonajan ja päivämäärän.
- e. Taajuus ja kanava Näyttää parhaillaan viritettynä olevan DAB-aseman taajuuden ja kanavanumeron.
- f. Siirtonopeus/äänityyppi Näyttää parhaillaan viritettynä olevan DAB-aseman digitaalisen äänen siirtonopeuden ja äänityypin.
- g. Signaalin vahvuus Näyttää parhaillaan viritettynä olevan DAB-aseman signaalin vahvuuden.

Uusien asemien haku – DAB

Uusia DAB-radioasemia voi tulla aika ajoin saataville. Olet ehkä myös voinut muuttaa toiselle puolelle maata. Tällöin on ehkä tarpeen käynnistää uusien kanavien haku. Jotta työmaaradio löytäisi kaikki saatavilla olevat asemat, on suositeltavaa tehdä täydellinen haku kaikilla DAB-aaltoalueen III taajuuksilla.

1. Paina automaattivirityspainiketta.
2. Työmaaradio tekee kaikki DAB-taajuudet kattavan täydellisen haun. Kun uusia asemia löytyy, näytön vasemmassa reunassa olevan asemalaskurin lukema kasvaa ja uudet asemat lisätään luetteloon.

Manuaalinen viritys – DAB

Manuaalinen viritys mahdollistaa työmaaradion viritämisen tietylle aaltoalueen III DAB-taajuudelle. Toimintoa voidaan käyttää myös antennin tai työmaaradion suuntaamisen apuna siten, että tietty kanava tai taajuus saadaan kulumaan mahdollisimman hyvin.

1. Paina lisäasetuspainiketta ja kierrä äänenvoimakkuus-, viritys- ja valintasäädintä, kunnes näytössä näkyvänä valintana on manuaalinen viritys (Manual Tune). Siirry manuaalisen virityksen tilaan painamalla äänenvoimakkuus-, viritys- ja valintasäädintä.
2. Valitse haluamasi DAB-kanava kiertämällä äänenvoimakkuus-, viritys- ja valintasäädintä. Vahvista taajuuden valinta painamalla äänenvoimakkuus-, viritys- ja valintasäädintä.

Dynamiikka-alueen hallinta (DRC) – DAB

DRC-toiminto auttaa parantamaan hiljaisten äänten kuuluvuutta meluisassa ympäristössä pienentämällä äänisignaalin dynamiikka-aluetta.

Pakkaustasoja on kolme:

- DRC 0 Ei pakkaus
DRC 1/2 Keskitason pakkaus
DRC 1 Suurin pakkaus

1. Kytke työmaaradioon virta painamalla virtapainiketta.
2. Valitse haluamasi DAB-aaltoalue painamalla aaltoalueen valintapainiketta.
3. Paina lisäasetuspainiketta ja kierrä äänenvoimakkuus-, viritys- ja valintasäädintä, kunnes näytössä näkyvänä valintana on DRC-arvo (DRC Value). Anna sitten haluamasi asetus painamalla äänenvoimakkuus-, viritys- ja valintasäädintä. Nykyinen DRC-arvo näkyy näytössä.
4. Valitse haluamasi DRC-asetus kiertämällä äänenvoimakkuus-, viritys- ja valintasäädintä.
5. Vahvista asetuksen valinta painamalla äänenvoimakkuus-, viritys- ja valintasäädintä.

Asemien järjestyksen määrittäminen – DAB

Työmaaradiossa on valittavana kolme asemajärjestystä. Asemajärjestysvaihtoehdot ovat aakkosnumeerinen, kanavanippu ja kuuluva asema.

1. Paina lisäasetuspainiketta.
2. Kierrä äänenvoimakkuus-, viritys- ja valintasäädintä, kunnes näytössä näkyvänä valintana on asemien järjestys (Station order).
3. Valitse jokin seuraavassa luetelluista asetuksista ja vahvista valinta kiertämällä äänenvoimakkuus-, viritys- ja valintasäädintä.

Alphanumeric (aakkosnumeerinen)

Lajittelee asemaluettelon aakkosnumeerisesti (0...9 A...Z)

Ensemble (nippu)

Järjestää asemaluettelon DAB-kanavanippujen mukaan

Valid (kuuluva)

Näyttää vain ne asemat, joiden signaali löytyy

Hakutoiminto – FM

1. Kytke työmaaradioon virta painamalla virtapainiketta.
2. Valitse haluamasi aaltoalue painamalla aaltoalueen valintapainiketta. Varmista, että piiska-antenni on hyvin sijoitettu, jotta FM-vastaanotto toimisi hyvin. Vältä työmaaradioiden käyttöä lähellä tietokoneen näyttöä tai muita laitteita, jotka voivat aiheuttaa häiriöitä radiovastaanottoon.
3. Kun painat automaattivirituspainiketta, radio aloittaa asemien haun. Kun asema löytyy, haku pysähtyy automaattisesti. Radio jatkaa asemien etsimistä, kunnes haku keskeytetään painamalla automaattivirituspainiketta.
4. Valitse haluamasi äänenvoimakkuus kiertämällä äänenvoimakkuus-, viritys- ja valintasäädintä. Äänenvoimakkuuden muutos näkyy LCD-näytössä.

Huomautus:

Voit hakea haluamaasi asemaa äänenvoimakkuus-, viritys- ja valintasäätimellä, kun siirryt ensin viritystilaan pitämällä äänenvoimakkuus-, viritys- ja valintasäädintä hetken aikaa painettuna.

5. Voit katkaista työmaaradiosta virran painamalla virtapainiketta.

FM-hakualue

Kun FM-tila on käytössä, työmaaradio voidaan asettaa hakemaan paikallisia tai kaikkia (myös kaukaisia) radioasemia.

Manuaalinen viritys – FM

1. Kytke työmaaradioon virta painamalla virtapainiketta.
2. Valitse haluamasi aaltoalue painamalla aaltoalueen valintapainiketta. Säädä antenni edellä kerrotulla tavalla.
3. Äänenvoimakkuus-, viritys- ja valintasäätimen yksi kierros muuttaa taajuutta seuraavasti:
FM: 50 tai 100 kHz

Huomautus:

Voit hakea haluamaasi asemaa äänenvoimakkuus-, viritys- ja valintasäätimellä, kun siirryt ensin viritystilaan pitämällä äänenvoimakkuus-, viritys- ja valintasäädintä hetken aikaa painettuna.

4. Kierrä äänenvoimakkuus-, viritys- ja valintasäädintä, kunnes haluamasi taajuus näkyy näytössä.
5. Valitse haluamasi äänenvoimakkuus kiertämällä äänenvoimakkuus-, viritys- ja valintasäädintä.
6. Voit katkaista työmaaradiosta virran painamalla virtapainiketta.

Näytön tilat – FM

Työmaaradiossa on FM-radiotilassa erilaisia näyttövaihtoehtoja:

Voit selata vaihtoehtoja infopainikkeella.

- | | |
|-----------------------------|-------------------------------------------------------------------------------|
| a. Ohjelman asema | Näyttää parhaillaan kuunneltavan aseman nimen. |
| b. RT-teksti | Näyttää radion tekstiviestit, esimerkiksi uutisotsikot. |
| c. Ohjelmatyppi | Näyttää kuunneltavan aseman tyyppin, esimerkiksi Pop, Klassinen, Uutiset jne. |
| d. Kellonaika ja päivämäärä | Näyttää senhetkisen kellonajan ja päivämäärän. |
| e. Taajuus | Näyttää FM-signaalin taajuuden. |

Asemien tallennus esivalintamuistiin (DAB ja FM)

Kummallakin aaltoalueella on 5 muistipaikkaa esivalittavia asemia varten.

1. Kytke työmaaradioon virta painamalla virtapainiketta.
2. Viritä haluamasi asema jollakin edellä kerrotuista tavoista.
3. Paina haluamaasi esivalintapainiketta, kunnes esivalintapaikan numero tulee näyttöön (esim. "P2 Saved"). Asema tallentuu sitten valitun esivalinpainikkeen kohdalle.
4. Toista nämä toimenpiteet muiden esivalintapainikkeiden kohdalla.
5. Esivalintamuistiin tallennetut asemat voidaan korvata toistamalla edellä kuvatut toimenpiteet.

Esivalittujen asemien käyttäminen (DAB ja FM)

1. Kytke työmaaradioon virta painamalla virtapainiketta.
2. Valitse haluamasi aaltoalue painamalla aaltoalueen valintapainiketta.
3. Paina hetken aikaa haluamaasi esivalintapainiketta. Esivalintapaikan numero ja aseman taajuus tulevat näyttöön.

Kielivalinnat (vain mallissa DMR105)

Työmaaradioiden kieleksi voi valita jonkin seuraavista neljästä vaihtoehdosta: englanti, saksa, italia ja ranska.

1. Paina lisäasetuspainiketta.
2. Kierrä äänenvoimakkuus-, viritys- ja valintasäädintä, kunnes näytössä näkyvänä valintana on kieli (Language). Valitse asetus painamalla äänenvoimakkuus-, viritys- ja valintasäädintä.
3. Valitse haluamasi kieli kiertämällä äänenvoimakkuus-, viritys- ja valintasäädintä. Vahvista asetuksen valinta painamalla äänenvoimakkuus-, viritys- ja valintasäädintä.

Kirkkauden säätö

Näytön taustavaloa voi säätää.

1. Paina lisäasetuspainiketta.
2. Kierrä äänenvoimakkuus-, viritys- ja valintasäädintä, kunnes näytössä näkyvänä valintana on taustavalo (Backlight). Valitse asetus painamalla äänenvoimakkuus-, viritys- ja valintasäädintä.
3. Ota taustavalo käyttöön tai poista se käytöstä kiertämällä äänenvoimakkuus-, viritys- ja valintasäädintä ja vahvista sitten asetuksen valinta äänenvoimakkuus-, viritys- ja valintasäädintä painamalla.

Järjestelmän nollaus

Jos työmaaradiossa on toimintahäiriöitä tai näytön numerot ovat epäselviä tai eivät näy lainkaan, toimi seuraavasti.

1. Paina lisäasetuspainiketta.
2. Kierrä äänenvoimakkuus-, viritys- ja valintasäädintä, kunnes näytössä näkyvänä valintana on tehdasasetusten palautus (Factory Reset). Valitse asetus painamalla äänenvoimakkuus-, viritys- ja valintasäädintä.
3. Valitse vaihtoehto Kyllä (Yes) kiertämällä äänenvoimakkuus-, viritys- ja valintasäädintä. Vahvista asetuksen valinta painamalla äänenvoimakkuus-, viritys- ja valintasäädintä. Kaikki asetukset nollautuvat.

Ohjelmistoversio

1. Paina lisäasetuspainiketta.
2. Kierrä äänenvoimakkuus-, viritys- ja valintasäädintä, kunnes näytössä näkyvänä valintana on ohjelmistoversio (SW Version). Hae työmaaradioon

asennetun ohjelmistoversion tiedot näyttöön painamalla äänenvoimakkuus-, viritys- ja valintasäädintä.

Micro USB -liitäntä ohjelmistopäivitystä varten

Työmaaradioiden voi tulevaisuudessa olla saatavilla ohjelmistopäivityksiä.

Kun ohjelmistopäivityksiä tulee saataville, kyseinen ohjelmisto ja ohjeet työmaaradioiden päivittämiseksi löytyvät **Maikinan verkkosivuilta**.

Muiden äänilähteiden toistaminen

⚠ HUOMIO:

Irrota laite verkkovirrasta ennen muiden äänilähteiden kytkeämistä.

- Laitteessa on kaksi AUX IN -liitäntää. AUX IN 1 on etupaneelissa ja AUX IN 2 akkutilassa.
- Kytke stereo- tai monoäänilähde (esim. iPod-, MP3- tai CD-soitin) audiojohdolla joko AUX IN 1- tai AUX IN 2 -liitäntään.
- Paina aaltoalueen valintapainiketta toistuvasti, kunnes näytössä näkyy AU1 tai AU2. AUX-toiminto on nyt aktivoitu.

KUNNOSSAPITO

⚠ HUOMIO:

- Älä koskaan käytä bensiiniä, ohentimia, alkoholia tms. aineita. Muutoin pinta voi halkeilla tai sen värit ja muoto voivat muuttua.

Tekniset tiedot:

Tehontarve

Verkkovirtasovitin DC 12 V 1A, plusnapa keskellä
Akku Ryhmäakku: 7,2–18 V

Taajuusalue Liukulukitusakku: 9,6–18 V
FM 87,50–108 MHz
DAB/DAB+ 174,928 - 239,200 MHz

Kanavalohko (DAB/DAB+)

DAB (aaltoalue III) 5A-13F

Yhteensopiva standardi

DAB (DMR104)
DAB/DAB+ (DMR105)

Kytkentäominaisuudet

Kaiutin 3 tuumaa 8 ohmia
Lähtöteho 7,2 V: 0,5 W x 2, 9,6 V: 1 W x 2
10,8 V: 1,2 W x 2, 12 V: 1,5 W x 2
14,4 V: 2,2 W x 2, 18 V: 3,5 W x 2
Tuloliitäntä 3,5 mm (halk.) (AUX IN1/AUX IN2)
Antennijärjestelmä DAB/FM: piiska-antenni
Mitat (L x K x S), mm 280 x 302 x 163
Paino 4 kg (ilman akkua)

РУССКИЙ (Оригинальные инструкции)

Символы

Ниже приведены символы, используемые для данного устройства. Перед использованием убедитесь, что вы понимаете их значение.



Прочтите руководство по эксплуатации.



Только для стран ЕС

Не выбрасывайте электрооборудование или аккумуляторы вместе с бытовым мусором!



Co
Ni-MH
Li-Ion

В соответствии с европейской директивой 2002/96/ЕС об утилизации электрического и электронного оборудования, директивой 2006/66/ЕС о батареях и аккумуляторах, а также использованных батареях и аккумуляторах, и их применения в соответствии с местными законами электрооборудование и аккумуляторы, срок эксплуатации которых истек, должны утилизироваться отдельно безопасным для окружающей среды способом.

ВАЖНЫЕ ИНСТРУКЦИИ ПО ТЕХНИКЕ БЕЗОПАСНОСТИ

⚠ ПРЕДОСТЕРЕЖЕНИЕ:

Во избежание риска возгорания, поражения электрическим током или получения травмы при использовании электроинструмента следует соблюдать основные правила техники безопасности, указанные ниже.

1. Перед использованием внимательно прочитайте это руководство по эксплуатации и руководство по эксплуатации зарядного устройства.
2. Очищайте только сухой салфеткой.
3. Не устанавливайте вблизи источников тепла, например, радиаторов, обогревателей, печей и других приборов (включая усилители), вырабатывающих тепло.
4. Используйте только насадки/дополнительные принадлежности, указанные производителем.
5. Отсоединяйте устройство от розетки во время грозы или если оно не используется в течение длительного времени.
6. Радио с питанием от встроенного или внешнего аккумулятора следует заряжать только с помощью специального зарядного устройства. Зарядное устройство, подходящее для одного типа аккумуляторов, может привести к пожару при его использовании с другим аккумулятором.
7. Используйте радио только с рекомендованными аккумуляторными блоками. Использование других аккумуляторов может привести к пожару.
8. Если аккумуляторный блок не используется, храните его в стороне от прочих металлических предметов: скрепок, монет, ключей, гвоздей,

шурупов и других мелких металлических предметов, которые могут замкнуть контакты между собой. Короткое замыкание между контактами аккумуляторного блока может привести к искрению, ожогам или пожару.

9. Избегайте контакта участков тела с такими заземленными поверхностями, как трубы, радиаторы, батареи отопления и холодильники. При контакте тела с заземлением повышается опасность поражения электрическим током.
10. При неправильном обращении из аккумулятора может потечь жидкость. Избегайте контакта с ней. В случае контакта с кожей промойте место контакта обильным количеством воды. В случае попадания в глаза, обратитесь к врачу. Жидкость из аккумулятора может вызвать раздражение или ожоги.
11. Сетевая вилка используется в качестве устройства отключения и должна быть исправна.

СОХРАНИТЕ ДАННЫЕ ИНСТРУКЦИИ

ВАЖНЫЕ ИНСТРУКЦИИ ПО ТЕХНИКЕ БЕЗОПАСНОСТИ

для АККУМУЛЯТОРНОГО БЛОКА

1. Перед использованием аккумуляторного блока прочитайте все инструкции и предупреждающие надписи на (1) зарядном устройстве, (2) аккумуляторном блоке и (3) инструменте, работающем от аккумуляторного блока.
2. Не разбирайте аккумуляторный блок.
3. Если время работы значительно сократилось, немедленно прекратите работу. В противном случае может возникнуть перегрев, что приведет к ожогам и даже к взрыву.
4. В случае попадания электролита в глаза промойте их большим количеством чистой воды и немедленно обратитесь к врачу. Это может привести к потере зрения.
5. Не замыкайте контакты аккумуляторного блока между собой:
 - (1) Не прикасайтесь к контактам какими-либо токопроводящими предметами.
 - (2) Избегайте хранить аккумуляторный блок в контейнере вместе с другими металлическими предметами, такими как гвозди, монеты и т. п.
 - (3) Не допускайте попадания на аккумуляторный блок воды или дождя. Замыкание контактов аккумуляторного блока между собой может привести к возникновению большого тока, перегреву, возможному ожогу и даже разрыву блока.
6. Не храните инструмент и аккумуляторный блок в местах, где температура может достигать или превышать 50°C (122°F).
7. Не бросайте аккумуляторный блок в огонь, даже если он сильно поврежден или полностью вышел

из строя. Аккумуляторный блок может взорваться под действием огня.

8. Не роняйте и не ударяйте аккумулятор.
9. Нельзя использовать поврежденный аккумулятор.

Особенности:

- FM/DAB или DAB+
- Большой ЖК-экран с подсветкой
- Настройки: ручная/предварительная/методом сканирования
- Поворотный регулятор настройки и уровня громкости
- 5 предустановок станций для каждого диапазона частот
- Порт micro USB для обновления программного обеспечения
- Стереодинамик для глубокого, насыщенного звука
- Сверхпрочная конструкция
- Водонепроницаемость до уровня IPX 4
- Питание от аккумуляторного блока Makita и прилагаемого сетевого адаптера

Пояснения к общему виду

Органы управления

1. Кнопка питания
2. Кнопка Band (Полоса частот)
3. Кнопка Advanced setting (Расширенные настройки)
4. Кнопка Info (Информация)
5. Кнопка Preset (Предварительная настройка)
6. Кнопка Auto tune (Автонастройка)
7. Регулятор громкости/настройки/выбора
8. Гнездо DC IN (вход питания постоянного тока)
9. Вход AUX IN 1
10. ЖК-экран
11. Штыревая антенна
12. Ручка
13. Батарейный отсек (под крышкой – основной комплект аккумуляторов)
14. Динамик
15. Стопор батарейного отсека
16. Входной разъем (AUX IN 2)
17. Основной аккумуляторный отсек
18. Порт micro USB для обновления программного обеспечения
19. Красный индикатор
20. Кнопка
21. Блок аккумулятора
22. Опора

Установка аккумулятора

Примечание:

1. Вытяните стопор батарейного отсека, чтобы освободить батарейный отсек. **(Рис. 2)**
2. Вставьте основной аккумуляторный блок, чтобы обеспечить питание радиоприемника. Подходящие аккумуляторные блоки для данного радио перечислены в таблице ниже.

В следующей таблице показано время работы на одной зарядке.

Напряжение аккумуляторного блока						НА ВЫХОДЕ ДИНАМИКА= 50 мВт + 50 мВт единицы измерения: Час
7,2 V	9,6 V	10,8 V	12 V	14,4 V	18 V	
BL7010						Прибл. 4,5
	PA09		PA12	PA14	PA18	Прибл. 6,5
	9050		1250	1450	1850	
	9051		1251	1452	1852	
	9100		1200	1420	BL1815	
	9120	BL1013	1220	BL1415		
	9100A		1200A			
					BL1815N	Прибл. 9,0
	9102		1202	1422	1822	Прибл. 10,0
	9122		1222	ВН1420		
	9102A		1202A			
	ВН9020		ВН1220			
	ВН9020A		ВН1220C			
	9134		1234	1434	1834	Прибл. 14,5
				ВН1427		Прибл. 15,0
	9135		1235	1435	1835	Прибл. 17,0
				1435F	BL1830	
			1235F	BL1430		
	ВН9033		ВН1233	ВН1433		Прибл. 18,0
	ВН9033A		ВН1233C			
				BL1440	BL1840	Прибл. 24,0

 : Аккумуляторный блок

 : Выдвижной аккумулятор

ПРЕДОСТЕРЕЖЕНИЕ:

Не используйте два основных аккумулятора одновременно.

ПРЕДОСТЕРЕЖЕНИЕ:

Не используйте два основных аккумулятора одновременно.

3-1. Установка или снятие выдвижного аккумуляторного блока (Рис. 4)

- Для установки аккумуляторного блока совместите выступ блока с пазом в корпусе и задвиньте его на место. Всегда устанавливайте блок до упора так, чтобы он зафиксировался на месте с небольшим щелчком.
- Если вы можете видеть красный индикатор на верхней части клавиши, адаптер аккумулятора не полностью установлен на месте. Установите его до конца так, чтобы красный индикатор был не виден. В противном случае адаптер может выпасть из инструмента и нанести травму вам или другим людям.
- Не применяйте силу при установке аккумуляторного блока. Если блок не двигается свободно, значит он вставлен неправильно.
- Чтобы извлечь аккумуляторный блок, выдвиньте его из устройства, перемещая кнопку на передней стороне блока или нажав на кнопки по бокам блока.

3-2. Установка и снятие аккумуляторного блока (Рис. 5–9)

- Потяните за опору, чтобы аккумулятор вошел в гнездо.
- Для установки аккумуляторного блока совместите выступ блока с пазом в корпусе и задвиньте его на место.
- Отсоедините опору.
- Чтобы извлечь аккумуляторный блок, потяните опору и выньте аккумулятор из гнезда.
- 4. Установите стопор батарейного отсека в исходное положение.
- 5. Снижение мощности, искажения и “заикание” являются признаками необходимости замены основного аккумуляторного блока.

Примечание:

Аккумуляторный блок нельзя заряжать с помощью прилагаемого адаптера переменного тока.

Установка штыревой антенны (Рис. 10-11)

Установите штыревую антенну как показано на рисунке.

Примечание:

В батарейном отсеке предусмотрена защелка для хранения снятой антенны.

Использование прилагаемого адаптера переменного тока (Рис. 12)

Снимите резиновый изолятор и вставьте разъем адаптера в гнездо DC на передней панели радио. Вставьте адаптер в розетку электросети. При использовании адаптера аккумуляторный блок автоматически отсоединяется. Если адаптер переменного тока не используется, его необходимо отсоединять от розетки.

Использование радио

Существует три варианта настройки радио – сканирование, ручная настройка и вызов предустановок из памяти.

Выбор станции – DAB

1. Нажмите кнопку питания, чтобы включить радиоприемник.
2. Выберите нужный режим DAB, нажав кнопку Band.
3. Нажмите кнопку расширенных настроек и поверните регулятор громкости/настройки/выбора, чтобы на экране появилась мигающая индикация “Список станций”. Нажмите регулятор громкости/настройки/выбора, чтобы ввести список станций.
4. Вращайте регулятор громкости/настройки/выбора, чтобы прокрутить список доступных станций. Для выбора станции нажмите регулятор.
5. Настройте нужный уровень громкости с помощью регулятора громкости/настройки/выбора.

Режимы отображения – DAB

Для режима DAB предусмотрены различные параметры дисплея:

Нажмите кнопку Info для прокручивания различных опций, обозначенных буквами а – g.

- a. Название станции
Отображение названия прослушиваемой станции.
- b. Тип программы
Отображение типа прослушиваемой станции (например, Популярная, Классическая, Новости и т.д.).
- c. Мультиплексное имя
Отображение имени мультиплексора DAB, к которому относится текущая станция.
- d. Время и дата
Отображает текущее время и дату.
- e. Частота и канал
Отображает частоту и номер канала текущей станции DAB.

- f. Битрейт/Тип звука
Отображает битрейт и тип цифрового звука текущей станции DAB.
- g. Мощность сигнала
Отображает мощность сигнала текущей станции DAB.

Поиск новых станций – DAB

Время от времени могут появляться новые радиостанции DAB. Либо вы можете оказаться в другой части страны. В этом случае необходимо включить режим сканирования для поиска новых станций.

Чтобы радиоприемник обнаружил доступные станции, рекомендуется провести полное сканирование всего диапазона III DAB.

1. Нажмите кнопку Auto tune.
2. Радиоприемник проведет полное сканирование частот DAB. При обнаружении новых станций счетчик в левой части дисплея будет увеличиваться, а станции – добавляться в список.

Ручная настройка – DAB

Ручная настройка позволяет настроить радиоприемник на определенную частоту DAB в диапазоне III. Эту функцию можно использовать для помощи в ориентировании антенны или радиоприемника с целью оптимизации приема определенного канала или частоты.

1. Нажмите кнопку расширенных настроек и поверните регулятор громкости/настройки/выбора, чтобы на экране появилась индикация “Ручная настройка”. Нажмите регулятор громкости/настройки/выбора, чтобы включить режим ручной настройки.
2. Вращайте регулятор громкости/настройки/выбора, чтобы выбрать нужный канал DAB. Нажмите регулятор громкости/настройки/выбора, чтобы подтвердить выбранную частоту.

Регулировка динамического диапазона (DRC) – DAB

Если радиоприемник используется в шумной среде, функция DRC позволяет лучше слышать негромкие звуки за счет сокращения динамического диапазона аудиосигнала.

Существует три уровня сжатия:

- | | |
|---------|--------------------------------------|
| DRC 0 | Сжатие отсутствует. |
| DRC 1/2 | Используется средний уровень сжатия. |
| DRC 1 | Используется максимальное сжатие. |

1. Нажмите кнопку питания, чтобы включить радиоприемник.
2. Нажмите кнопку Band, чтобы выбрать диапазон DAB.
3. Нажмите кнопку расширенных настроек и поверните регулятор громкости/настройки/выбора, чтобы на экране появилась индикация “Значение DRC”. Затем нажмите регулятор громкости/

настройки/выбора, чтобы ввести значение. На дисплее появится текущее значение DRC.

4. Вращайте регулятор громкости/настройки/выбора, чтобы выбрать нужную настройку DRC.
5. Нажмите регулятор громкости/настройки/выбора, чтобы подтвердить настройку.

Настройка порядка станций – DAB

В радиоприемнике предусмотрены варианты 3 настройки порядка следования станций. Станции можно организовать по алфавиту, группам или действительным станциям.

1. Нажмите кнопку расширенных настроек.
2. Поверните регулятор громкости/настройки/выбора, чтобы на экране появилась индикация "Порядок станций", затем нажмите регулятор громкости/настройки/выбора для ввода настройки.
3. Поверните регулятор громкости/настройки/выбора, чтобы выбрать следующие опции, затем нажмите регулятор для подтверждения настройки.

Алфавитный	Сортировка списка станций по цифрам от 0 до 9 и буквам латинского алфавита от A до Z.
Группы	Список станций организуется по мультиплексорам DAB
Действительные	Отображаются только те станции, сигнал которых найден

Настройка методом сканирования – FM

1. Нажмите кнопку питания, чтобы включить радио.
2. Выберите нужный диапазон частот, нажав кнопку Band. Убедитесь, что штыревая антенна установлена в оптимальное положение для приема в диапазоне FM. Не рекомендуется использовать радио рядом с монитором компьютера и другим оборудованием, которое может вызвать помехи для радиоприемника.
3. Нажмите кнопку Auto tune, радиоприемник выполнит поиск, останавливаясь автоматически при обнаружении радиостанции. Радиоприемник продолжит поиск следующей доступной станции, если оператор не нажмет кнопку Auto tune для прекращения сканирования.
4. Вращайте регулятор громкости/настройки/выбора, чтобы выбрать нужный уровень громкости. На ЖК-экране отображается изменение уровня громкости.

Примечание:

Чтобы использовать регулятор громкости/настройки/выбора для поиска нужной станции, нажмите и удерживайте регулятор громкости/настройки/выбора для переключения в режим настройки.

5. Для выключения радио нажмите кнопку питания.

Зона сканирования FM

В режиме FM радиоприемник можно настроить на сканирование местных станций либо всех станций, включая удаленные.

Ручная настройка – FM

1. Нажмите кнопку питания, чтобы включить радио.
2. Нажмите кнопку Band, чтобы выбрать необходимый диапазон. Отрегулируйте антенну как описано выше.
3. Вращайте регулятор громкости/настройки/выбора изменяет частоту со следующим шагом:
FM: 50 или 100 кГц

Примечание:

Чтобы использовать регулятор громкости/настройки/выбора для поиска нужной станции, нажмите и удерживайте регулятор громкости/настройки/выбора для переключения в режим настройки.

4. Вращайте регулятор громкости/настройки/выбора до тех пор, пока нужная частота не отобразится на дисплее.
5. Вращайте регулятор громкости/настройки/выбора, чтобы выбрать нужный уровень громкости.
6. Для выключения радио нажмите кнопку питания.

Режимы дисплея – FM

Для режима FM предусмотрены различные параметры дисплея:

Нажимайте кнопку Info для переключения между следующими опциями.

- a. Станция вещания Отображение названия прослушиваемой станции.
- b. Радиотекст Отображение текстовых сообщений, например, новые элементы и т. д.
- c. Тип программы Отображение типа прослушиваемой станции (Популярная, Классическая, Новости и т.д.).
- d. Время и дата Отображает текущее время и дату.
- e. Частота Отображает частоту сигнала FM.

Сохранение станций в памяти в качестве предварительной настройки (DAB и FM)

Для каждого диапазона доступно 5 предварительных настройки.

1. Нажмите кнопку питания, чтобы включить радио.
2. Настройтесь на нужную станцию одним из описанных выше способов.
3. Нажмите и удерживайте необходимую кнопку Preset, пока на дисплее не появится номер предварительной настройки, например, "Сохранено в P2". При этом станция сохраняется под выбранной кнопкой Preset.

4. Повторите процедуру для оставшихся предварительных настроек.
5. Станции, сохраненные в качестве предварительной настройки, можно изменить, выполнив описанные выше процедуры.

Вызов станций из памяти предварительной настройки (DAB и FM)

1. Нажмите кнопку питания, чтобы включить радио.
2. Нажмите кнопку Band, чтобы выбрать необходимый диапазон.
3. Нажмите необходимую кнопку Preset – на экране отобразятся заданный номер и частота станции.

Язык (доступно только в модели DMR105)

Радиоприемник поддерживает четыре языка: английский, немецкий, итальянский и французский.

1. Нажмите кнопку Advanced setting.
2. Вращайте регулятор громкости/настройки/выбора до тех пор, пока на дисплее не отобразится индикация “Язык”. Нажмите регулятор громкости/настройки/выбора, чтобы ввести настройку.
3. Вращайте регулятор громкости/настройки/выбора, чтобы выбрать нужный язык. Нажмите регулятор громкости/настройки/выбора, чтобы подтвердить настройку.

Регулировка яркости

Подсветку дисплея можно регулировать.

1. Нажмите кнопку Advanced setting.
2. Вращайте регулятор громкости/настройки/выбора до тех пор, пока на дисплее не отобразится индикация “Подсветка”. Нажмите регулятор громкости/настройки/выбора, чтобы ввести настройку.
3. Вращайте регулятор громкости/настройки/выбора, чтобы включить или выключить функцию подсветки, затем нажмите регулятор громкости/настройки/выбора для подтверждения настройки.

Сброс системы

Если радио работает ненадлежащим образом или некоторые цифры на экране отсутствуют или неполные, выполните следующую процедуру.

1. Нажмите кнопку Advanced setting.
2. Вращайте регулятор громкости/настройки/выбора до тех пор, пока на дисплее не отобразится индикация “Сброс к заводским настройкам”. Нажмите регулятор громкости/настройки/выбора, чтобы ввести настройку.
3. Вращайте регулятор громкости/настройки/выбора, чтобы выбрать “Да”. Нажмите регулятор громкости/настройки/выбора, чтобы подтвердить настройку; при этом будет выполнен полный сброс настроек.

Версия программного обеспечения

1. Нажмите кнопку Advanced setting.
2. Вращайте регулятор громкости/настройки/выбора до тех пор, пока на дисплее не отобразится индикация “Версия ПО”. Нажмите регулятор громкости/настройки/выбора, чтобы просмотреть версию программного обеспечения радиоприемника.

Порт micro USB для обновления программного обеспечения

В дальнейшем могут быть доступны обновления программного обеспечения для радиоприемника. По мере появления обновлений программного обеспечения данное ПО и информация о способе обновления прошивки радиоприемника будут публиковаться на [веб-сайте Makita](#).

Воспроизведение других аудиоисточников

⚠ ПРЕДУПРЕЖДЕНИЕ:

Прежде чем подключать внешние аудиоисточники, отсоедините это устройство от сети.

- Предусмотрено 2 входа AUX IN. AUX IN 1 находится на передней панели, AUX IN 2 – в батарейном отсеке.
- С помощью аудиокабеля подключите стерео или моно аудиоисточник (например, iPod, проигрыватель MP3 или CD) к входу AUX IN 1 или AUX IN 2.
- Нажимайте кнопку Band до тех пор, пока не отобразится “AU1” или “AU2”, при этом включится функция AUX.

ОБСЛУЖИВАНИЕ

⚠ ПРЕДУПРЕЖДЕНИЕ:

- Запрещается использовать бензин, лигроин, растворитель, спирт и т.п. Это может привести к изменению цвета, деформации и появлению трещин.

Технические характеристики:

Требования к электропитанию

Адаптер переменного тока	12 V пост. тока, 1 A, центральный контакт положительный
Аккумулятор	Аккумуляторный блок: 7,2 V - 18 V Выдвижной аккумулятор: 9,6 V - 18 V
Диапазон частот	FM 87,50 - 108 MHz DAB/DAB+ 174,928 - 239,200 MHz
Блок каналов DAB/DAB+	DAB (диапазон III) 5A-13F
Поддерживаемый стандарт	DAB (DMR104) DAB/DAB+ (DMR105)

Параметры контура

Динамик	3 дюйма 8 Ом
Выходная мощность	7,2 V: 0,5 W x 2, 9,6 V: 1 W x 2 10,8 V: 1,2 W x 2, 12 V: 1,5 W x 2 14,4 V: 2,2 W x 2, 18 V: 3,5 W x 2
Входной разъем	диаметр 3,5 мм (AUX IN1/AUX IN2)
Антенная система	DAB/FM: штыревая антенна
Размер (Ш x В x Г) в мм	280 x 302 x 163
Масса	4 kg (без аккумулятора)

POLSKI (Oryginalna instrukcja)

Symbole

Poniżej przedstawiono symbole stosowane w przypadku omawianego urządzenia. Przed rozpoczęciem jego użytkowania należy upewnić się, że są one zrozumiałe.



Przeczytać instrukcję obsługi.



Co
Ni-MH
Li-Ion

Dotyczy tylko państw UE
Nie wyrzucaj urządzeń elektrycznych lub akumulatorów wraz z odpadami z gospodarstwa domowego!
Zgodnie z Europejską Dyrektywą 2002/96/WE w sprawie zużytego sprzętu elektrotechnicznego i elektronicznego oraz 2006/66/WE dotyczącą akumulatorów i baterii oraz zużytych akumulatorów i baterii oraz dostosowaniem ich do prawa krajowego, zużyte urządzenia elektryczne należy posegregować i zutylizować w sposób przyjazny dla środowiska.

WAŻNE ZASADY BEZPIECZEŃSTWA

⚠ OSTRZEŻENIE:

Używając urządzeń elektrycznych, należy zawsze przestrzegać podstawowych środków ostrożności w celu zmniejszenia ryzyka wystąpienia pożaru, porażenia prądem oraz uszkodzenia ciała, włączając poniższe:

1. Przed korzystaniem z urządzenia należy dokładnie zapoznać się z niniejszą instrukcją obsługi oraz instrukcją obsługi ładowarki.
2. Czyścić wyłącznie suchą szmatką.
3. Nie montować przy jakimkolwiek źródle ciepła, takim jak grzejniki, kratki wylotowe ciepłego powietrza, piecze lub inne urządzenia (również wzmacniacze) wytwarzające ciepło.
4. Stosować wyłącznie przyrządy/akcesoria zalecane przez producenta.
5. Wyłączyć niniejsze urządzenia podczas burzy oraz w przypadku nieużywania przez dłuższy czas.
6. Akumulatorowy odbiornik radiowy z akumulatorem wbudowanym lub oddzielnym musi być ładowany wyłącznie za pomocą określonej ładowarki. Ładowarka przeznaczona do jednego typu akumulatora może stwarzać zagrożenie wystąpienia pożaru, w przypadku stosowania jej do ładowania innego akumulatora.
7. Do zasilania akumulatorowego odbiornika radiowego należy używać tylko przeznaczonych do niego akumulatorów. Używanie innych akumulatorów może stwarzać ryzyko wystąpienia pożaru.
8. Gdy akumulator nie jest używany, należy chronić go przed kontaktem z innymi metalowymi przedmiotami, takimi jak: spinacze, monety, klucze, gwoździe, wkręty lub inne metalowe elementy, które mogą spowodować zwarcie styków akumulatora. Zwarcie styków

akumulatora grozi pojawieniem się iskier, poparzeniami lub pożarem.

9. Należy unikać kontaktu ciała z przedmiotami uziemionymi, takimi jak rury, grzejniki, kuchenki czy lodówki. Gdy ciało człowieka jest uziemione, wzrasta ryzyko porażenia prądem elektrycznym.
10. W razie niewłaściwych warunków eksploatacji może dojść do wycieku elektrolitu z akumulatora. Nie wolno go dotykać. W razie przypadkowego kontaktu, należy przemyć skażoną skórę wodą. W przypadku kontaktu elektrolitu z oczami należy dodatkowo zwrócić się o pomoc lekarską. Płyn z akumulatora może powodować podrażnienia lub poparzenia.
11. Wtyczka ZASILANIA GŁÓWNEGO pełni funkcję urządzenia odłączającego, w związku z powyższym należy zapewnić do niej łatwy dostęp.

ZACHOWAJ NINIEJSZĄ INSTRUKCJĘ

WAŻNE ZASADY BEZPIECZEŃSTWA

DOTYCZY AKUMULATORA

1. Przed użyciem akumulatora należy zapoznać się ze wszystkimi zaleceniami i znakami ostrzegawczymi na (1) ładowarce, (2) akumulatorze i (3) produkcie, w którym będzie używany akumulator.
2. Nie wolno demontować akumulatora.
3. Jeśli czas pracy uległ znacznemu skróceniu, należy natychmiast przerwać pracę. Może bowiem dojść do przegrzania, wystąpienia ewentualnych poparzeń, a nawet eksplozji.
4. W przypadku dostania się elektrolitu do oczu, należy je przemyć wodą i niezwłocznie zasięgnąć pomocy lekarza. Przedostanie się elektrolitu do oczu może spowodować utratę wzroku.
5. Nie wolno zwierać styków akumulatora:
 - (1) Nie dotykać styków przedmiotami przewodzącymi prąd.
 - (2) Nie wolno przechowywać akumulatora w pojemniku z innymi metalowymi przedmiotami, takimi jak gwoździe, monety itp.
 - (3) Akumulator należy chronić przed wodą lub deszczem. Zwarcie powoduje przepływ prądu elektrycznego o dużym natężeniu i przegrzanie akumulatora, co w konsekwencji może grozić poparzeniami, a nawet awarią urządzenia.
6. Urządzenia i akumulatora nie wolno przechowywać w miejscach, w których temperatura osiąga lub przekracza 50°C.
7. Akumulatorów nie wolno wrzucać do ognia, nawet tych poważnie uszkodzonych lub całkowicie zużytych. W ogniu akumulator może eksplodować.
8. Akumulator należy chronić przed upadkiem i uderzeniami.
9. Nie wolno używać uszkodzonych akumulatorów.

Funkcje urządzenia:

- FM/DAB lub DAB+
- Duży wyświetlacz LCD z funkcją podświetlenia

- Strojenie ręczne / przywoływanie za pomocą przycisków programowalnych / strojenie automatyczne
- Pokrętko strojenia/głośności
- 5 programowalnych przycisków do ustawiania stacji radiowych dla każdego pasma częstotliwości
- Port micro USB umożliwiający aktualizację oprogramowania
- Głośnik stereo zapewniający czyste brzmienie
- Ultra trwała obudowa
- Wodoodporność spełniająca wymogi standardu IPX 4
- Odbiornik zasilany zarówno przez akumulator Makita, jak i przez dostarczony zasilacz

Objaśnienia do widoku ogólnego

Przyciski sterujące

1. Przycisk Power (zasilanie)
2. Przycisk Band (pasmo częstotliwości)
3. Przycisk ustawienia zaawansowanego
4. Przycisk Info
5. Przycisk Preset (przycisk programowalny)
6. Przycisk Auto tune (strojenie automatyczne)
7. Pokrętko głośności/strojenia/wyboru
8. Gniazdo wejścia prądu stałego
9. Wejście AUX 1
10. Wyświetlacz LCD
11. Giętka antena
12. Uchwyt
13. Przedział na akumulatory (z komorą akumulatora głównego)
14. Głośnik
15. Pokrywa przedziału na akumulatory
16. Gniazdo wejścia (wejście AUX 2)
17. Komora akumulatora głównego
18. Port micro USB umożliwiający aktualizację oprogramowania
19. Czerwony wskaźnik
20. Przycisk
21. Akumulator
22. Element wsporczy


Montaż akumulatora


Uwaga:

1. Zdjąć pokrywę przedziału na akumulatory w celu uzyskania dostępu do komory. **(Rys. 2)**
2. Włożyć akumulator główny w celu podłączenia zasilania do odbiornika radiowego. W poniższej tabeli zostały wymienione akumulatory odpowiednie do zasilania odbiornika radiowego.

Poniższa tabela przedstawia czasy pracy przy maksymalnym jednokrotnym naładowaniu.

Napięcie akumulatora						NA WYJŚCIU GŁOŚNIKA = 50 mW + 50 mW jednostka: godzina
7,2 V	9,6 V	10,8 V	12 V	14,4 V	18 V	
BL7010						Ok. 4,5
	PA09		PA12	PA14	PA18	Ok. 6,5
	9050		1250	1450	1850	
	9051		1251	1452	1852	
	9100		1200	1420	BL1815	
	9120	BL1013	1220	BL1415		
	9100A		1200A			
					BL1815N	Ok. 9,0
	9102		1202	1422	1822	Ok. 10,0
	9122		1222	BH1420		
	9102A		1202A			
	BH9020		BH1220			
	BH9020A		BH1220C			
	9134		1234	1434	1834	Ok. 14,5
				BH1427		Ok. 15,0
	9135		1235	1435	1835	Ok. 17,0
				1435F	BL1830	
			1235F	BL1430		
	BH9033		BH1233	BH1433		Ok. 18,0
	BH9033A		BH1233C			
				BL1440	BL1840	Ok. 24,0

 : Zespół akumulatorów

 : Akumulator wsuwany

OSTRZEŻENIE:

Nie używać jednocześnie dwóch akumulatorów głównych.

3-1. Wkładanie lub wyjmowanie akumulatora wsuwanego (Rys. 4)

- Aby zamontować akumulator, wystarczy wyrównać występ na akumulatorze z rowkiem w obudowie i wsunąć go na swoje miejsce. Akumulator należy wsuwać do oporu, aż się zablokuje, co jest sygnalizowane delikatnym kliknięciem.
- Jeśli czerwony wskaźnik w górnej części przycisku jest nadal widoczny, adapter akumulatora nie został całkowicie zablokowany. Należy go zamontować całkowicie, tak aby czerwony wskaźnik nie był widoczny. W przeciwnym razie może on przypadkowo wysunąć się z narzędzia, raniąc operatora lub osoby postronne.
- Przy montażu akumulatora nie wolno używać siły. Jeśli akumulator nie daje się swobodnie wsunąć, prawdopodobnie został włożony nieprawidłowo.
- Aby wyjąć akumulator, należy przesunąć przycisk znajdujący się w przedniej jego części i wysunąć akumulator z urządzenia lub nacisnąć jednocześnie przyciski znajdujące się po obu jego bokach.

OSTRZEŻENIE:

Nie używać jednocześnie dwóch akumulatorów głównych.

3-2. Wkładanie lub wyjmowanie zespołu akumulatorów (Rys. 5-9)

- Pociągnąć element wsporczy, aby umożliwić wsunięcie akumulatorów w gniazdo.
 - Aby włożyć akumulatory, wystarczy wyrównać występ na akumulatorach ze szczeliną w obudowie i wsunąć je na miejsce.
 - Zwołnić element wsporczy.
 - W celu wysunięcia akumulatorów należy pociągnąć element wsporczy, a następnie wyjąć je z gniazda.
4. Ponownie zamocować pokrywę przedziału na akumulatory w odpowiednim położeniu.
 5. Pojawienie się spadku mocy, zniekształceń i zakłóceń oznacza konieczność wymiany akumulatora głównego.

Uwaga:

Akumulator nie może być ładowany za pomocą dostarczonego zasilacza prądu zmiennego.

Montaż giętkiej anteny (Rys. 10-11)

Zamontować giętką antenę zgodnie z rysunkiem.

Uwaga:

W przedziale na akumulatory znajduje się miejsce przeznaczone na przechowywanie zdemontowanej anteny.

Korzystanie z zasilacza prądu zmiennego (Rys. 12)

Zdjąć gumowe zabezpieczenie, a następnie wsunąć wtyczkę zasilacza do wejścia prądu stałego, znajdującego się z przodu odbiornika radiowego. Podłączyć zasilacz do standardowego gniazda elektrycznego. W przypadku każdorazowego użycia zasilacza, akumulator jest automatycznie odłączony. Zasilacz prądu zmiennego powinien być odłączony od zasilania, jeżeli nie jest używany.

Obsługa odbiornika radiowego

Odbiornik radiowy posiada trzy metody strojenia – strojenie automatyczne, strojenie ręczne, przywoływanie za pomocą przycisków programowalnych z pamięcią.

Wybieranie stacji – DAB

1. Włączyć odbiornik radiowy, naciskając przycisk Power (zasilanie).
2. Wybrać tryb DAB poprzez naciśnięcie przycisku Band (pasmo częstotliwości).
3. Nacisnąć przycisk ustawienia zaawansowanego i obracać pokrętkę głośności/strojenia/wyboru do momentu wyświetlenia na ekranie migającej opcji „Station List” (lista stacji). Nacisnąć pokrętkę głośności/strojenia/wyboru w celu potwierdzenia listy stacji.
4. Obrócić pokrętkę głośności/strojenia/wyboru w celu przewinięcia listy dostępnych stacji. Nacisnąć pokrętkę w celu wybrania stacji.
5. Ustawić wymagany poziom głośności poprzez obrócenie pokrętki głośności/strojenia/wyboru.

Tryby wyświetlania – DAB

Niniejszy odbiornik radiowy posiada kilka opcji wyświetlania dla trybu DAB:

Nacisnąć przycisk Info, aby przewinąć dostępne opcje wyświetlane wg następujących liter (od a do g).

- a. Station name (nazwa stacji)
Wskazuje nazwę aktualnie słuchanej stacji.
- b. Program type (rodzaj programu)
Wskazuje rodzaj aktualnie słuchanej stacji, np. Pop, Classic, News itp.
- c. Multiplex name (nazwa multipleksu)
Wskazuje nazwę multipleksu DAB, do którego należy obecnie słuchana stacja.
- d. Time & date (data i godzina)
Wskazuje bieżącą datę i godzinę.
- e. Frequency and channel (częstotliwość i kanał)
Wskazuje częstotliwość oraz numer kanału obecnie słuchanej stacji nadawanej w systemie DAB.

- f. Bit rate/Audio type (prędkość transmisji bitów / typ audio)
Wskazuje cyfrową prędkość transmisji bitów oraz typ audio obecnie słuchanej stacji nadawanej w systemie DAB.
- g. Signal strength (siła sygnału)
Wskazuje siłę sygnału obecnie słuchanej stacji nadawanej w systemie DAB.

Wyszukiwanie nowych stacji – DAB

Od czasu do czasu mogą pojawiać się nowe stacje radiowe nadawane w systemie DAB. Istnieje również możliwość zmiany miejsca pobytu w innej części kraju. W takich przypadkach może zaistnieć konieczność ponownego włączenia strojenia odbiornika radiowego w celu wyszukania nowych stacji.

W celu umożliwienia wyszukania dostępnych stacji zaleca się przeprowadzenie pełnego strojenia pasma III częstotliwości DAB.

1. Nacisnąć przycisk Auto tune (strojenie automatyczne).
2. Odbiornik radiowy przeprowadzi pełne strojenie częstotliwości DAB. Po wyszukaniu nowych stacji wskazanie licznika stacji znajdującego się po lewej stronie wyświetlacza wzrośnie, a stacje zostaną dodane do listy.

Strojenie ręczne – DAB

Strojenie ręczne umożliwia przeprowadzenie strojenia odbiornika radiowego w zakresie określonej częstotliwości w paśmie III. Funkcję tę można również stosować w celu lepszego ustawienia anteny lub odbiornika radiowego, tak aby zoptymalizować odbiór danego kanału lub częstotliwości.

1. Nacisnąć przycisk ustawienia zaawansowanego i obracać pokrętkę głośności/strojenia/wyboru do momentu wyświetlenia na ekranie opcji „Manual Tune” (strojenie ręczne). Nacisnąć pokrętkę głośności/strojenia/wyboru w celu potwierdzenia trybu strojenia ręcznego.
2. Obrócić pokrętkę głośności/strojenia/wyboru w celu wybrania wymaganego kanału DAB. Nacisnąć pokrętkę głośności/strojenia/wyboru w celu potwierdzenia wybranej częstotliwości.

Kontrola dynamiki sygnału (DRC) – DAB

Funkcja DRC umożliwi dopasowanie cichych dźwięków w celu ich lepszego słyszalności w przypadku słuchania odbiornika radiowego w środowisku o dużym natężeniu hałasu poprzez zredukowanie zakresu dynamicznego sygnału audio.

Istnieją trzy poziomy kompresji zakresu dynamicznego:

DRC 0	Brak kompresji zakresu dynamicznego.
DRC 1/2	Średnia kompresja zakresu dynamicznego.
DRC 1	Maksymalna kompresja zakresu dynamicznego.

1. Włączyć odbiornik radiowy, naciskając przycisk Power (zasilanie).
2. Wybrać pasmo DAB poprzez naciśnięcie przycisku Band (pasmo częstotliwości).

3. Nacisnąć przycisk ustawienia zaawansowanego i obracać pokrętle głośności/strojenia/wyboru do momentu wyświetlenia na ekranie opcji „DRC Value” (wartość DRC). Następnie nacisnąć pokrętle głośności/strojenia/wyboru w celu potwierdzenia ustawienia. Na wyświetlaczu pojawi się aktualna wartość DRC.
4. Obrócić pokrętle głośności/strojenia/wyboru w celu wybrania wymaganego ustawienia DRC.
5. Nacisnąć pokrętle głośności/strojenia/wyboru w celu potwierdzenia ustawienia.

Ustawienie kolejności stacji – DAB

Niniejszy odbiornik radiowy posiada 3 rodzaje ustawień kolejności stacji do wyboru. Dostępne ustawienia kolejności stacji to: kolejność alfanumeryczna, grupowa oraz wg dostępności.

1. Nacisnąć przycisk ustawienia zaawansowanego.
2. Obracać pokrętle głośności/strojenia/wyboru do momentu pojawienia się na wyświetlaczu opcji „Station order” (kolejność stacji), a następnie nacisnąć pokrętle głośności/strojenia/wyboru w celu potwierdzenia ustawienia.
3. Obrócić pokrętle głośności/strojenia/wyboru w celu wybrania następujących opcji, a następnie nacisnąć pokrętle, aby potwierdzić ustawienie.

Alphanumeric (kolejność alfanumeryczna)

Ustawia listę stacji w kolejności alfanumerycznej 0...9 A...Z

Ensemble (kolejność grupowa)

Organizuje listę stacji wg multipleksu DAB

Valid (kolejność według dostępności)

Wyświetla tylko te stacje, których sygnał został wyszukany

Strojenie automatyczne – FM

1. Włączyć odbiornik radiowy, naciskając przycisk Power (zasilanie).
2. Wybrać wymagane pasmo częstotliwości poprzez naciśnięcie przycisku Band (pasmo częstotliwości). Upewnić się, że miękka, giętka antena została prawidłowo ustawiona w celu uzyskania najlepszego sygnału pasma częstotliwości FM. Unikać ustawienia odbiornika radiowego w pobliżu ekranu komputera lub innego sprzętu, mogącego przyczynić się do zakłócenia pracy odbiornika radiowego.
3. Nacisnąć przycisk Auto tune (strojenie automatyczne). Odbiornik radiowy rozpocznie wyszukiwanie stacji, a po jej znalezieniu automatycznie zatrzyma strojenie. Odbiornik radiowy ponownie rozpocznie wyszukiwanie następnej dostępnej stacji dopóki użytkownik nie naciśnie przycisku Auto tune (strojenie automatyczne) w celu zatrzymania strojenia.
4. Obrócić pokrętle głośności/strojenia/wyboru w celu ustawienia wymaganego poziomu głośności. Na

wyświetlaczu LCD zostanie wyświetlona zmiana poziomu głośności.

Uwaga:

W celu wyszukania wymaganej stacji za pomocą pokręta głośności/strojenia/wyboru należy nacisnąć i przytrzymać pokrętle głośności/strojenia/wyboru, aby włączyć tryb strojenia.

5. Aby wyłączyć odbiornik radiowy, należy nacisnąć przycisk Power (zasilanie).

Strojenie FM

W przypadku korzystania z trybu FM, niniejszy odbiornik radiowy można ustawić na strojenie stacji lokalnych lub strojenie wszystkich stacji, włączając odległe stacje radiowe.

Strojenie ręczne – FM

1. Włączyć odbiornik radiowy, naciskając przycisk Power (zasilanie).
2. Nacisnąć przycisk Band (pasmo częstotliwości) w celu wybrania wymaganego pasma częstotliwości. Ustawić antenę zgodnie z powyższym opisem.
3. Obracanie pokrętle głośności/strojenia/wyboru powoduje przyrost częstotliwości o:
FM: 50 lub 100 kHz

Uwaga:

W celu wyszukania wymaganej stacji za pomocą pokręta głośności/strojenia/wyboru należy nacisnąć i przytrzymać pokrętle głośności/strojenia/wyboru, aby włączyć tryb strojenia.

4. Obracać pokrętle głośności/strojenia/wyboru do momentu ustawienia wymaganej częstotliwości wskazanej na wyświetlaczu.
5. Obrócić pokrętle głośności/strojenia/wyboru w celu ustawienia wymaganego poziomu głośności.
6. Aby wyłączyć odbiornik radiowy, należy nacisnąć przycisk Power (zasilanie).

Tryby wyświetlania – FM

Niniejszy odbiornik radiowy posiada kilka opcji wyświetlania dla trybu FM:

Naciskanie kilkukrotnie przycisku Info powoduje przewijanie różnych opcji.

- a. Program station (stacja programu)
Wskazuje nazwę aktualnie słuchanej stacji.
- b. Radio text (komunikaty radiowe)
Wskazuje komunikaty tekstowe odbiornika radiowego, np. nowe pozycje itp.
- c. Program type (rodzaj programu)
Wskazuje rodzaj aktualnie słuchanej stacji, np. Pop, Classic, News itp.
- d. Time & date (data i godzina)
Wskazuje bieżącą datę i godzinę.
- e. Frequency (częstotliwość)
Wskazuje częstotliwość sygnału FM.

Programowanie stacji w pamięciach przycisków programowalnych (DAB i FM)

Odbiornik radiowy posiada 5 przycisków programowalnych dla każdego pasma częstotliwości.

1. Włączyć odbiornik radiowy, naciskając przycisk Power (zasilanie).
2. Ustawić wymaganą stację za pomocą jednej z wcześniej opisanych metod.
3. Nacisnąć i przytrzymać wymagany przycisk Preset (przycisk programowalny) do momentu wyświetlenia numeru przycisku programowalnego, na przykład: „P2 Saved” (P2 zapisany). Stacja zostanie zapisana pod wybranym przyciskiem Preset (przyciskiem programowalnym).
4. Powtórzyć powyższą procedurę dla pozostałych przycisków programowalnych.
5. Stacje zapisane w pamięciach przycisków programowalnych mogą być nadpisane zgodnie z powyższą procedurą.

Przywoływanie stacji z pamięci przycisków programowalnych (DAB i FM)

1. Włączyć odbiornik radiowy, naciskając przycisk Power (zasilanie).
2. Nacisnąć przycisk Band (pasmo częstotliwości) w celu wybrania wymaganego pasma częstotliwości.
3. Nacisnąć przez chwilę wymagany przycisk Preset (przycisk programowalny) – numer przycisku programowalnego oraz częstotliwość stacji zostaną wyświetlone na wyświetlaczu.

Opcje wersji językowej (dostępne wyłącznie w przypadku DMR105)

W odbiorniku radiowych dostępne są cztery opcje wersji językowej: angielska, niemiecka, włoska i francuska.

1. Nacisnąć przycisk ustawienia zaawansowanego.
2. Obracać pokrętkę głośności/strojenia/wyboru do momentu wyświetlenia opcji „Language” (język) na wyświetlaczu. Nacisnąć pokrętkę głośności/strojenia/wyboru w celu potwierdzenia ustawienia.
3. Obrócić pokrętkę głośności/strojenia/wyboru w celu wybrania wymaganego języka. Nacisnąć pokrętkę głośności/strojenia/wyboru w celu potwierdzenia ustawienia.

Ustawienie jasności

Istnieje możliwość ustawienia podświetlenia wyświetlacza.

1. Nacisnąć przycisk ustawienia zaawansowanego.
2. Obracać pokrętkę głośności/strojenia/wyboru do momentu wyświetlenia opcji „Backlight” (podświetlenie) na wyświetlaczu. Nacisnąć pokrętkę głośności/strojenia/wyboru w celu potwierdzenia ustawienia.
3. Obrócić pokrętkę głośności/strojenia/wyboru w celu wybrania opcji włączenia lub wyłączenia funkcji

podświetlenia, a następnie nacisnąć pokrętkę głośności/strojenia/wyboru, aby potwierdzić ustawienie.

Resetowanie systemu

W przypadku nieprawidłowego działania odbiornika radiowego lub braku wyświetlania wszystkich cyfr na wyświetlaczu, należy przeprowadzić następującą procedurę.

1. Nacisnąć przycisk ustawienia zaawansowanego.
2. Obracać pokrętkę głośności/strojenia/wyboru do momentu wyświetlenia opcji „Factory Reset” (ustawienia fabryczne) na wyświetlaczu. Nacisnąć pokrętkę głośności/strojenia/wyboru w celu potwierdzenia ustawienia.
3. Obrócić pokrętkę głośności/strojenia/wyboru w celu wybrania opcji „Yes” (tak). Nacisnąć pokrętkę głośności/strojenia/wyboru w celu potwierdzenia ustawienia i całkowitego zresetowania ustawień.

Wersja oprogramowania

1. Nacisnąć przycisk ustawienia zaawansowanego.
2. Obracać pokrętkę głośności/strojenia/wyboru do momentu wyświetlenia opcji „SW Version” (wersja oprogramowania) na wyświetlaczu. Nacisnąć pokrętkę głośności/strojenia/wyboru w celu wyświetlenia wersji oprogramowania zainstalowanego w odbiorniku radiowym.

Port micro USB umożliwiający aktualizację oprogramowania

W przyszłości istnieje możliwość dostępnosci aktualizacji oprogramowania posiadanego odbiornika radiowego. Na [stronie internetowej firmy Makita](#) udostępniane są informacje dotyczące dostępności nowych aktualizacji oprogramowania oraz sposobu ich wykonania w odbiorniku radiowym.

Jak odtwarzać z innych źródeł audio?

UWAGA:

Przed podłączeniem innego źródła audio, urządzenie należy odłączyć z sieci.

- W urządzeniu znajdują się 2 gniazda wejścia AUX. AUX IN 1 znajduje się na przednim panelu, AUX IN 2 w przedziale na akumulatory.
- Podłączyć źródło sygnału stereo lub mono (np. iPod, MP3 lub odtwarzacz CD) do wejścia AUX IN 1 lub AUX IN 2 za pomocą przewodu audio.
- Po kilkakrotnym naciśnięciu i zwolnieniu przycisku Band (pasmo częstotliwości) na wyświetlaczu pojawi się napis „AU1” lub „AU2”, a funkcja AUX zostanie włączona.

KONSERWACJA

UWAGA:

- Nie wolno używać benzyny, benzenu, rozpuszczalnika, alkoholu itp. Substancje takie mogą spowodować odbarwienia, odkształcenia lub pęknięcia.

Dane techniczne:

Dane dotyczące zasilania

Zasilacz prądu zmiennego

12 V DC 1A, środkowy wtyk
dodatni

Akumulator zespół akumulatorów: 7,2 V - 18 V

Akumulator wsuwany: 9,6 V - 18 V

Zakres częstotliwości FM 87,50-108 MHz

DAB/DAB+ 174,928 - 239,200 MHz

Blok kanałów DAB/DAB+

DAB (pasmo III) 5A-13F

Norma dotycząca kompatybilności

DAB (DMR104)

DAB/DAB+ (DMR105)

Charakterystyka obwodu

Głośnik 3 całe 8 omów

Moc wyjściowa 7,2 V: 0,5 W x 2, 9,6 V: 1 W x 2

10,8 V: 1,2 W x 2, 12 V: 1,5 W x 2

14,4 V: 2,2 W x 2, 18 V: 3,5 W x 2

Gniazdo wejścia

średnica 3,5 mm

(AUX IN1/AUX IN2)

Antena

DAB/FM: giętka antena

Wymiary (S x W x G) w mm

280 x 302 x 163

Masa

4 kg (bez akumulatora)

Makita Corporation
Anjo, Aichi, Japan

www.makita.com

DMR104-14L-1113

ALA