

FS-2020D/FS-3920DN/FS-4020DN/ FS-6970DN



Deze gebruikershandleiding is bedoeld voor de modellen FS-2020D, FS-3920DN, FS-4020DN en FS-6970DN.



Opmerking Deze gebruikershandleiding bevat informatie voor zowel de inchversie als de metrische versie van dit apparaat.

De inchversies van deze apparaten worden getoond in de schermen in deze handleiding. Wanneer u de metrische versie gebruikt, gebruik dan de berichten voor de inchversie alleen als referentie. In de tekst worden de inchberichten alleen weergegeven als deze versies alleen qua hoofdlettergebruik verschillen. Als er zelfs maar een klein verschil in de melding is, wordt de informatie voor de inchversie vermeld, gevolgd door de corresponderende informatie voor de metrische versie tussen haakjes.

Bijgesloten handleidingen

De volgende handleidingen zijn met dit apparaat meegeleverd. Raadpleeg naar behoeven de juiste handleiding.

Gebruikershandleiding (deze handleiding)

Deze beschrijft het plaatsen van papier, het afdrukken, het vervangen van de toner, het reinigen van de printer en het oplossen van problemen.

Advanced Operation Guide

Geeft uitleg over papierrichtlijnen, hoe u het bedieningspaneel moet gebruiken en mogelijke verbindingen tussen de printer en de computer.

Installatiehandleiding

Legt uit hoe u de printer moet installeren en hoe u de kabels moet aansluiten en het papier moet plaatsen.

Inhoud

1	Onderdelen van de machine	1-1
	Onderdelen aan de voorkant van de printer	1-2
	Onderdelen aan de linkerkant van de printer en interne onderdelen	1-2
	Onderdelen aan de achterkant van de printer	1-3
	Bedieningspaneel	1-4
2	Papier plaatsen	2-1
	Papier in de cassette plaatsen	2-2
	Papier plaatsen in de MP-lade (multifunctionele cassette)	2-6
	Enveloppen in de MP-lade plaatsen (enkel de FS-2020D/3920DN/4020DN)	2-8
3	Aansluiten en afdrukken	3-1
	Aansluitingen	3-2
	Netwerkinterface parameters wijzigen	3-4
	Een Netwerkinterface-statuspagina afdrukken	3-12
	Printerdriver installeren	3-13
	Afdrukken vanuit applicaties	3-19
	Status Monitor	3-20
	Software verwijderen (Windows PC)	3-24
4	Onderhoud	4-1
	Algemene informatie	4-2
	Vervanging tonercontainer	4-2
	De printer reinigen	4-8
	Langdurig buiten gebruik en de printer verplaatsen	4-9
5	Problemen oplossen	5-1
	Algemene richtlijnen	5-2
	Problemen met de afdrukkwaliteit	5-3
	Foutberichten	5-5
	Ready, Data en Attention lampjes	5-11
	Papierstoringen oplossen	5-12
6	Appendix	6-1
	Specificaties	6-2
	Standaard milieuvoorwaarden	6-5
	Index	Index-1

Wettelijke kennisgevingen en veiligheidsvoorschriften

Lees deze informatie voordat u uw apparaat in gebruik neemt. Dit hoofdstuk voorziet in informatie over de volgende onderwerpen:

Wettelijke kennisgeving	iv
Licentieovereenkomsten	vi
Veiligheidsinformatie	xii
Symbolen	xvii
Vorzorgsmaatregelen bij de installatie	xviii
Vorzorgsmaatregelen voor gebruik	xx
Over de gebruikershandleiding	xxiii
Conventies in deze handleiding	xxiv

Wettelijke kennisgeving



VOORZICHTIG ER WORDT GEEN AANSPRAKELIJKHEID AANVAARD VOOR SCHADE DIE IS VEROORZAAKT DOOR ONJUISTE INSTALLATIE.

Kennisgeving met betrekking tot software

DE SOFTWARE DIE MET DEZE PRINTER WORDT GEBRUIKT, MOET DE EMULATIEMODUS VAN DE PRINTER ONDERSTEUNEN. De printer is fabrieksmatig ingesteld op het emuleren van de PCL. De emulatiemodus kan gewijzigd worden.

Kennisgeving

De informatie in deze handleiding kan zonder voorafgaande kennisgeving worden gewijzigd. In toekomstige edities kunnen extra pagina's worden ingevoegd.

Wij vragen de gebruiker om begrip voor technische onnauwkeurigheden of schrijffouten in de huidige uitgave. Er wordt geen aansprakelijkheid aanvaard voor ongelukken die gebeuren terwijl de gebruiker de instructies in deze handleiding volgt. Wij aanvaarden geen verantwoordelijkheid voor fouten in de firmware van de printer (de inhoud van het ROM).

Deze handleiding en al het materiaal dat onder het auteursrecht valt en wordt verkocht of meegeleverd bij of in verband met de verkoop van de paginaprinter, zijn auteursrechtelijk beschermd. Alle rechten voorbehouden. Het kopiëren of op een andere manier reproduceren van de gehele handleiding of gedeelten van de handleiding, of een willekeurig onderwerp waarop auteursrecht van toepassing is, is verboden zonder de voorafgaande schriftelijke toestemming van Kyocera Mita Corporation. Elke kopie die van deze handleiding of een deel daarvan wordt gemaakt, en alles wat onder het auteursrecht valt, moet dezelfde copyright-vermelding bevatten als het materiaal dat wordt gekopieerd.

Wat betreft handelsnamen

PRESCRIBE is een gedeponeerd handelsmerk van Kyocera Corporation. KPDL is een handelsmerk van Kyocera Corporation. Hewlett-Packard, PCL en P.J.L. zijn gedeponeerde handelsmerken van Hewlett-Packard Company. Centronics is een handelsmerk van Centronics Data Computer Inc. Adobe, Acrobat, Flash en PostScript zijn gedeponeerde handelsmerken van Adobe Systems Incorporated. Macintosh is een gedeponeerd handelsmerk van Apple Computer, Inc. Microsoft, Windows en Windows NT zijn gedeponeerde handelsmerken van Microsoft Corporation. Microsoft Windows Server is een handelsmerk van Microsoft Corporation. PowerPC is een handelsmerk van International Business Machines Corporation. CompactFlash is een handelsmerk van SanDisk Corporation. ENERGY STAR is een in de Verenigde Staten gedeponeerd handelsmerk. Alle overige merk- en productnamen zijn gedeponeerde handelsmerken of handelsmerken van de respectieve bedrijven.

Dit product is ontwikkeld met behulp van het Tornado™ Real Time besturingssysteem en de hulpprogramma's van Wind River Systems.
Dit product bevat UFST™ en MicroType® van Monotype Imaging Inc.

Licentieovereenkomsten

IBM Program License Agreement

THE DEVICE YOU HAVE PURCHASED CONTAINS ONE OR MORE SOFTWARE PROGRAMS ("PROGRAMS") WHICH BELONG TO INTERNATIONAL BUSINESS MACHINES CORPORATION ("IBM"). THIS DOCUMENT DEFINES THE TERMS AND CONDITIONS UNDER WHICH THE SOFTWARE IS BEING LICENSED TO YOU BY IBM. IF YOU DO NOT AGREE WITH THE TERMS AND CONDITIONS OF THIS LICENSE, THEN WITHIN 14 DAYS AFTER YOUR ACQUISITION OF THE DEVICE YOU MAY RETURN THE DEVICE FOR A FULL REFUND. IF YOU DO NOT SO RETURN THE DEVICE WITHIN THE 14 DAYS, THEN YOU WILL BE ASSUMED TO HAVE AGREED TO THESE TERMS AND CONDITIONS.

The Programs are licensed not sold. IBM, or the applicable IBM country organization, grants you a license for the Programs only in the country where you acquired the Programs. You obtain no rights other than those granted you under this license.

The term "Programs" means the original and all whole or partial copies of it, including modified copies or portions merged into other programs. IBM retains title to the Programs. IBM owns, or has licensed from the owner, copyrights in the Programs.

1. License

Under this license, you may use the Programs only with the device on which they are installed and transfer possession of the Programs and the device to another party.

If you transfer the Programs, you must transfer a copy of this license and any other documentation to the other party. Your license is then terminated. The other party agrees to these terms and conditions by its first use of the Program.

You may not:

1. use, copy, modify, merge, or transfer copies of the Program except as provided in this license;
2. reverse assemble or reverse compile the Program; or
3. sublicense, rent, lease, or assign the Program.

2. Limited Warranty

The Programs are provided "AS IS."

THERE ARE NO OTHER WARRANTIES COVERING THE PROGRAMS (OR CONDITIONS), EXPRESS OR IMPLIED, INCLUDING, BUT NOT LIMITED TO, THE IMPLIED WARRANTIES OF MERCHANTABILITY AND FITNESS FOR A PARTICULAR PURPOSE.

Some jurisdictions do not allow the exclusion of implied warranties, so the above exclusion may not apply to you.

3. Limitation of Remedies

IBM's entire liability under this license is the following;

For any claim (including fundamental breach), in any form, related in any way to this license, IBM's liability will be for actual damages only and will be limited to the greater of:

-
1. the equivalent of U.S. \$25,000 in your local currency; or
 2. IBM's then generally available license fee for the Program

This limitation will not apply to claims for bodily injury or damages to real or tangible personal property for which IBM is legally liable.

IBM will not be liable for any lost profits, lost savings, or any incidental damages or other economic consequential damages, even if IBM, or its authorized supplier, has been advised of the possibility of such damages. IBM will not be liable for any damages claimed by you based on any third party claim. This limitation of remedies also applies to any developer of Programs supplied to IBM. IBM's and the developer's limitations of remedies are not cumulative. Such developer is an intended beneficiary of this Section. Some jurisdictions do not allow these limitations or exclusions, so they may not apply to you.

4. General

You may terminate your license at any time. IBM may terminate your license if you fail to comply with the terms and conditions of this license. In either event, you must destroy all your copies of the Program. You are responsible for payment of any taxes, including personal property taxes, resulting from this license. Neither party may bring an action, regardless of form, more than two years after the cause of action arose. If you acquired the Program in the United States, this license is governed by the laws of the State of New York. If you acquired the Program in Canada, this license is governed by the laws of the Province of Ontario. Otherwise, this license is governed by the laws of the country in which you acquired the Program.

Typeface Trademark Acknowledgement

All resident fonts in this printer are licensed from Monotype Imaging Inc. Helvetica, Palatino and Times are registered trademarks of Linotype-Hell AG. ITC Avant Garde Gothic, ITC Bookman, ITC ZapfChancery and ITC Zapf Dingbats are registered trademarks of International Typeface Corporation.

Monotype Imaging License Agreement

1. "Software" shall mean the digitally encoded, machine readable, scalable outline data as encoded in a special format as well as the UFST Software.
2. You agree to accept a non-exclusive license to use the Software to reproduce and display weights, styles and versions of letters, numerals, characters and symbols ("Typefaces") solely for your own customary business or personal purposes at the address stated on the registration card you return to Monotype Imaging. Under the terms of this License Agreement, you have the right to use the Fonts on up to three printers. If you need to have access to the fonts on more than three printers, you need to acquire a multi-user license agreement which can be obtained from Monotype Imaging. Monotype Imaging retains all rights, title and interest to the Software and Typefaces and no rights are granted to you other than a License to use the Software on the terms expressly set forth in this Agreement.

-
3. To protect proprietary rights of Monotype Imaging, you agree to maintain the Software and other proprietary information concerning the Typefaces in strict confidence and to establish reasonable procedures regulating access to and use of the Software and Typefaces.
 4. You agree not to duplicate or copy the Software or Typefaces, except that you may make one backup copy. You agree that any such copy shall contain the same proprietary notices as those appearing on the original.
 5. This License shall continue until the last use of the Software and Typefaces, unless sooner terminated. This License may be terminated by Monotype Imaging if you fail to comply with the terms of this License and such failure is not remedied within thirty (30) days after notice from Monotype Imaging. When this License expires or is terminated, you shall either return to Monotype Imaging or destroy all copies of the Software and Typefaces and documentation as requested.
 6. You agree that you will not modify, alter, disassemble, decrypt, reverse engineer or decompile the Software.
 7. Monotype Imaging warrants that for ninety (90) days after delivery, the Software will perform in accordance with Monotype Imaging-published specifications, and the diskette will be free from defects in material and workmanship. Monotype Imaging does not warrant that the Software is free from all bugs, errors and omissions.
 8. THE PARTIES AGREE THAT ALL OTHER WARRANTIES, EXPRESSED OR IMPLIED, INCLUDING WARRANTIES OF FITNESS FOR A PARTICULAR PURPOSE AND MERCHANTABILITY, ARE EXCLUDED.
 9. Your exclusive remedy and the sole liability of Monotype Imaging in connection with the Software and Typefaces is repair or replacement of defective parts, upon their return to Monotype Imaging.
 10. IN NO EVENT WILL MONOTYPE IMAGING BE LIABLE FOR LOST PROFITS, LOST DATA, OR ANY OTHER INCIDENTAL OR CONSEQUENTIAL DAMAGES, OR ANY DAMAGES CAUSED BY ABUSE OR MISAPPLICATION OF THE SOFTWARE AND TYPEFACES.
 11. Massachusetts U.S.A. law governs this Agreement.
 12. You shall not sublicense, sell, lease, or otherwise transfer the Software and/or Typefaces without the prior written consent of Monotype Imaging.
 13. Use, duplication or disclosure by the Government is subject to restrictions as set forth in the Rights in Technical Data and Computer Software clause at FAR 252-227-7013, subdivision (b)(3)(ii) or subparagraph (c)(1)(ii), as appropriate. Further use, duplication or disclosure is subject to restrictions applicable to restricted rights software as set forth in FAR 52.227-19 (c)(2).
 14. YOU ACKNOWLEDGE THAT YOU HAVE READ THIS AGREEMENT, UNDERSTAND IT, AND AGREE TO BE BOUND BY ITS TERMS AND CONDITIONS. NEITHER PARTY SHALL BE BOUND BY ANY STATEMENT OR REPRESENTATION NOT CONTAINED IN THIS AGREEMENT. NO CHANGE IN THIS AGREEMENT IS EFFECTIVE UNLESS WRITTEN AND SIGNED BY PROPERLY AUTHORIZED REPRESENTATIVES OF EACH PARTY. BY OPENING THIS DISKETTE PACKAGE, YOU AGREE TO ACCEPT THE TERMS AND CONDITIONS OF THIS AGREEMENT.

GPL

De firmware van dit apparaat maakt deels gebruik van de onder GPL toegepaste codes (www.fsf.org/copyleft/gpl.html). Ga naar "<http://www.kyoceramita.com/gpl>" voor meer informatie over hoe u onder GPL toegepaste codes beschikbaar kunt maken.

Open SSLeay License

Copyright © 1998-2006 The OpenSSL Project. All rights reserved.

Redistribution and use in source and binary forms, with or without modification, are permitted provided that the following conditions are met:

- 1 Redistributions of source code must retain the above copyright notice, this list of conditions and the following disclaimer.
- 2 Redistributions in binary form must reproduce the above copyright notice, this list of conditions and the following disclaimer in the documentation and/or other materials provided with the distribution.
- 3 All advertising materials mentioning features or use of this software must display the following acknowledgment:
"This product includes software developed by the OpenSSL Project for use in the OpenSSL Toolkit. (<http://www.openssl.org/>)"
- 4 The names "OpenSSL Toolkit" and "OpenSSL Project" must not be used to endorse or promote products derived from this software without prior written permission.
For written permission, please contact openssl-core@openssl.org.
- 5 Products derived from this software may not be called "OpenSSL" nor may "OpenSSL" appear in their names without prior written permission of the OpenSSL Project.
- 6 Redistributions of any form whatsoever must retain the following acknowledgment: "This product includes software developed by the OpenSSL Project for use in the OpenSSL Toolkit (<http://www.openssl.org/>)"

THIS SOFTWARE IS PROVIDED BY THE OpenSSL PROJECT "AS IS" AND ANY EXPRESSED OR IMPLIED WARRANTIES, INCLUDING, BUT NOT LIMITED TO, THE IMPLIED WARRANTIES OF MERCHANTABILITY AND FITNESS FOR A PARTICULAR PURPOSE ARE DISCLAIMED. IN NO EVENT SHALL THE OpenSSL PROJECT OR ITS CONTRIBUTORS BE LIABLE FOR ANY DIRECT, INDIRECT, INCIDENTAL, SPECIAL, EXEMPLARY, OR CONSEQUENTIAL DAMAGES (INCLUDING, BUT NOT LIMITED TO, PROCUREMENT OF SUBSTITUTE GOODS OR SERVICES; LOSS OF USE, DATA, OR PROFITS; OR BUSINESS INTERRUPTION) HOWEVER CAUSED AND ON ANY THEORY OF LIABILITY, WHETHER IN CONTRACT, STRICT LIABILITY, OR TORT (INCLUDING NEGLIGENCE OR OTHERWISE) ARISING IN ANY WAY OUT OF THE USE OF THIS SOFTWARE, EVEN IF ADVISED OF THE POSSIBILITY OF SUCH DAMAGE.

Original SSLeay License

Copyright © 1995-1998 Eric Young (eay@cryptsoft.com) All rights reserved.

This package is an SSL implementation written by Eric Young (eay@cryptsoft.com). The implementation was written so as to conform with Netscape's SSL.

This library is free for commercial and non-commercial use as long as the following conditions are adhered to. The following conditions apply to all code found in this distribution, be it the RC4, RSA, lhash, DES, etc., code; not just the SSL code. The SSL documentation included with this distribution is covered by the same copyright terms except that the holder is Tim Hudson (tjh@cryptsoft.com).

Copyright remains Eric Young's, and as such any Copyright notices in the code are not to be removed.

If this package is used in a product, Eric Young should be given attribution as the author of the parts of the library used.

This can be in the form of a textual message at program startup or in documentation (online or textual) provided with the package.

Redistribution and use in source and binary forms, with or without modification, are permitted provided that the following conditions are met:

- 1 Redistributions of source code must retain the copyright notice, this list of conditions and the following disclaimer.
- 2 Redistributions in binary form must reproduce the above copyright notice, this list of conditions and the following disclaimer in the documentation and/or other materials provided with the distribution.
- 3 All advertising materials mentioning features or use of this software must display the following acknowledgement:
"This product includes cryptographic software written by Eric Young (eay@cryptsoft.com)"
The word 'cryptographic' can be left out if the routines from the library being used are not cryptographic related :-).
- 4 If you include any Windows specific code (or a derivative thereof) from the apps directory (application code) you must include an acknowledgement:
"This product includes software written by Tim Hudson (tjh@cryptsoft.com)"

THIS SOFTWARE IS PROVIDED BY ERIC YOUNG "AS IS" AND ANY EXPRESS OR IMPLIED WARRANTIES, INCLUDING, BUT NOT LIMITED TO, THE IMPLIED WARRANTIES OF MERCHANTABILITY AND FITNESS FOR A PARTICULAR PURPOSE ARE DISCLAIMED. IN NO EVENT SHALL THE AUTHOR OR CONTRIBUTORS BE LIABLE FOR ANY DIRECT, INDIRECT, INCIDENTAL, SPECIAL, EXEMPLARY, OR CONSEQUENTIAL DAMAGES (INCLUDING, BUT NOT LIMITED TO, PROCUREMENT OF SUBSTITUTE GOODS OR SERVICES; LOSS OF USE, DATA, OR PROFITS; OR BUSINESS INTERRUPTION) HOWEVER CAUSED AND ON ANY THEORY OF LIABILITY, WHETHER IN CONTRACT, STRICT LIABILITY, OR TORT (INCLUDING NEGLIGENCE OR OTHERWISE) ARISING IN ANY WAY OUT OF THE USE OF THIS SOFTWARE, EVEN IF ADVISED OF THE POSSIBILITY OF SUCH DAMAGE.

The licence and distribution terms for any publically available version or derivative of this code cannot be changed, i.e, the code cannot simply be copied and put under another distribution licence [including the GNU Public License.]

Compliance and Conformity

This equipment has been tested and found to comply with the limits for a Class B digital device, pursuant to Part 15 of the FCC Rules. These limits are designed to provide reasonable protection against harmful interference in a residential installation. This equipment generates, uses and can radiate radio frequency energy and, if not installed and used in accordance with the instructions, may cause harmful interference to radio communications. However, there is no guarantee that interference will not occur in a particular installation. If this equipment does cause harmful interference to radio or television reception, which can be determined by turning the equipment off and on, the user is encouraged to try to correct the interference by one or more of the following measures:

- Reorient or relocate the receiving antenna.
- Increase the separation between the equipment and the receiver.
- Connect the equipment into an outlet on a circuit different from that to which the receiver is connected.
- Consult the dealer or an experienced radio/TV technician for help.
- The use of a non-shielded interface cable with the referenced device is prohibited.

CAUTION — The changes or modifications not expressly approved by the party responsible for compliance could void the user's authority to operate the equipment.

This device complies with Part 15 of FCC Rules and RSS-Gen of IC Rules.

Operation is subject to the following two conditions; (1) this device may not cause interference, and (2) this device must accept any interference, including interference that may cause undesired operation of the device.

* The above warning is valid only in the United States of America.

Interfacekabels

BELANGRIJK Zorg ervoor dat u de printer uitschakelt voordat u een interfacekabel aansluit of ontkoppelt. Bescherm interfacekabels die niet worden gebruikt met behulp van de meegeleverde dop tegen statische elektrische ontlading via de interfacekabel(s) naar de interne elektronica van de printer.



Opmerking Gebruik beschermde interfacekabels.

Veiligheidsinformatie

Laserveiligheid

Deze printer wordt geclassificeerd als een Class 1 laserproduct volgens de Radiation Performance Standard van het Amerikaanse Department of Health and Human Services (DHHS), in overeenstemming met de Radiation Control for Health and Safety Act uit 1968. Dit betekent dat de printer geen gevaarlijke laserstraling produceert. Omdat de uitgestoten straling in de printer binnen beschermende behuizing en externe bedekkingen blijft, kan de laserstraal op geen enkel moment van gebruik uit de printer ontsnappen.

Laserkennisgeving

Deze printer wordt in de V.S. geclassificeerd in overeenstemming met de eisen van DHHS 21 CFR Subchapter voor Klasse I (1) laserproducten, en is elders geclassificeerd als Klasse I laserproduct in overeenstemming met de eisen van IEC 825.



GEVAAR KLASSE 3B LASERSTRALING BIJ OPENEN.
VERMIJD RECHTSTREEKSE BLOOTSTELLING AAN
STRAAL.



VOORZICHTIG Het gebruik van andere instellingen of
aanpassingen of de uitvoering van andere procedures dan
hierin vermeld, kan leiden tot gevaarlijke blootstelling aan
straling.

Radiofrequentiezender

Dit apparaat bevat een zendermodule. De fabrikant (Kyocera Mita Corporation) verklaart dat deze apparatuur (paginaprinter), met modelnummers zoals vermeld op de voorpagina, in overeenstemming is met de essentiële vereisten en andere relevante bepalingen van Richtlijn 1999/5/EG.

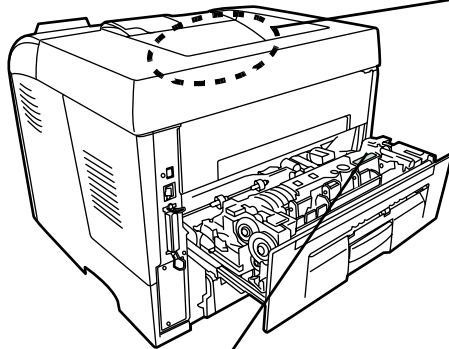
Radio Tag Technologie

In sommige landen kan de radiotagtechnologie die in deze apparatuur gebruikt wordt om de tonercontainer te identificeren, onderworpen zijn aan autorisatie, en kan het gebruik van deze apparatuur dientengevolge beperkt zijn.

Waarschuwingsetiketten

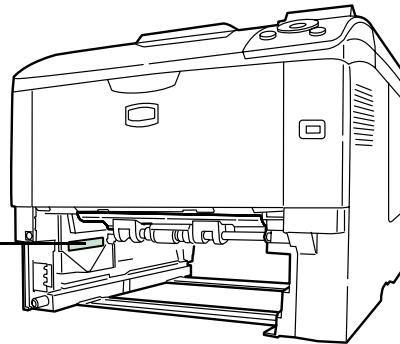
Op de printer bevindt zich een van de volgende etiketten.

Laser in de printer
(Laserstralingwaarschuwing)



DANGER	• CLASS 3B LASER RADIATION WHEN OPEN. AVOID DIRECT EXPOSURE TO BEAM.
ATTENTION	• CLASSE 3B RAYONNEMENT LASER EN CAS D'OUVERTURE. EXPOSITION DANGEREUSE AU FAISCEAU.
VORSICHT	• KLASSE 3B LASERSTRAHLUNG, WENN ABDECKUNG GEÖFFNET. NICHT DEM STRAHL AUSSETZEN.
ATTENZIONE	• CLASSE 3B RADIAZIONE LASER IN CASO DI APERTURA. EVITARE L'ESPOSIZIONE AL FASCIO.
PRECAUCION	• CLASSE 3B RADIACIONE LASER CUANDO SE ABRE. EVITAR EXPONERSE AL RAYO.
VARO!	• AVATTAESSA OLET ALTTIINA LUOKAN 3B LASERSÄTEILYLLE. ÄLÄ KATSO SÄTTEESIÄN.
	<p>警告・开蓋時、可能有3B类可见激光外泄。应避开激光直接照射。</p> <p>警告・内部3B類可见激光放射中。请勿随意打开盖子。</p> <p>위험・CLASS 3B 가시 레이저 광선을 직접 보지 마세요.</p> <p>警告・このカバーの内部ではクラス3Bレーザー光が放射されています。レーザー光にさらされないようにしてください。</p>

CAUTION HOT SURFACE 	ACHTUNG HEISSE OBERFLÄCHE	ATTENTION TEMPÉRATURE ÉLEVÉE
ATTENCIÓN EXTERIOR CALIENTE 	ATTENZIONE SUPERFICIE CHIE SCOTIA 	高温注意



Voor Europa, Azië en
andere landen

Voor de V.S. en
Canada

Modelname AC 220-240V
50/60Hz 4.3A
KYOCERA MITA Corporation

*****-** ACN00082444 (DE 1)

- Appareil mit tilkoples jor det stikkontakt.
- Appareil skall anslutas till jordat uttag.
- Laitte on fillettävä suojamaadoituskoos -
ettimillä varustettuun pistorasialaan.

CLASS 1 LASER PRODUCT

- REMOVE POWER CORD BEFORE SERVICE.
- VOR WARTUNG BITTE NETZSTECKER ZIEHEN.
- POUR PREVENIR LES CHOCs ELECTRIQUES, COUPER L'ALIMENTATION AVANT DE MANIPULER.
- DESENCHUFE EL CORDÓN DE ALIMENTACIÓN ANTES DEL SERVICIO.
- PRIMA DI ESEGUIRE RIPARAZIONE, STACCHARE IL CAVO DI ALIMENTAZIONE.

>ABS< DESIGNED IN JAPAN / ASSEMBLED IN CHINA

Modelname AC 120V
60Hz 7.7A
KYOCERA MITA Corporation
TAMAKI PLANT
704-19 NOUNO, TAMAKI-TOWN
WATARI-COUNTY, MIE-PREF. JAPAN
MANUFACTURED: C1Y

Complies with FDA radiation performance standards,
21 CFR Subchapter J.

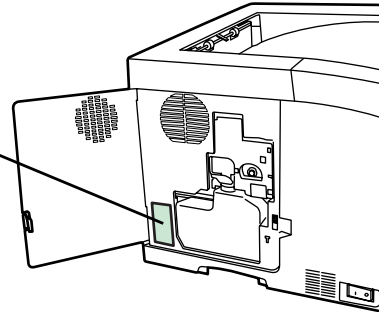
This device complies with Part 15 of the FCC Rules. Operation is subject to the following two conditions: (1) This device may not cause harmful interference, and (2) this device must accept any interference received, including interference that may cause undesired operation.

FCC ID: E522J00117
This Class B digital apparatus complies with Canadian ICES-003.
Cet appareil numérique de la classe B est conforme à la norme NMB-003 du Canada.

IC: 1105B-B-2100117

- REMOVE POWER CORD BEFORE SERVICE AND FUSE REPLACEMENT.
- POUR PREVENIR LES CHOCs ELECTRIQUES, COUPER L'ALIMENTATION AVANT DE REMPLACER LE FUSIBLE.

>ABS< DESIGNED IN JAPAN / ASSEMBLED IN CHINA



CDRH-voorschriften

Het Center for Devices and Radiological Health (CDRH) van de U.S. Food and Drug Administration heeft voorschriften opgesteld voor laserproducten op 2 augustus 1976. Deze voorschriften zijn van toepassing op laserproducten die zijn geproduceerd na 1 augustus 1976. Producten die in de Verenigde Staten op de markt worden gebracht moeten voldoen aan deze voorschriften. Laserproducten die in de Verenigde Staten op de markt worden gebracht moeten een label dragen ten teken van overeenstemming met de CDRH-voorschriften.

Ozonconcentratie

De printers genereren ozongas (O₃), dat zich op de plaats van installatie kan concentreren en een onplezierige geur kan veroorzaken. Wij raden u aan de printer niet op een afgesloten plek te zetten waar de ventilatie wordt geblokkeerd, om zo de concentratie van ozongas te minimaliseren tot minder dan 0,1 ppm.

Veiligheidsinstructies met betrekking tot het ontkoppelen van de stroom

Waarschuwing: De stekker is het belangrijkste isolatieapparaat! Andere schakelaars op het apparaat zijn slechts bedieningsschakelaars en zijn niet geschikt om het apparaat te isoleren van de voedingsbron.

VORSICHT: Der Netzstecker ist die Hauptisoliervorrichtung! Die anderen Schalter auf dem Gerät sind nur Funktionsschalter und können nicht verwendet werden, um den Stromfluß im Gerät zu unterbrechen.



VERKLARING VAN OVEREENSTEMMING NAAR 2004/108/EC, 2006/95/EEC, 93/68/EEC en 1999/5/EC

We verklaren geheel onder eigen verantwoordelijkheid dat het product waarop deze verklaring betrekking heeft, in overeenstemming is met de volgende specificaties.

EN55024
EN55022 Klasse B
EN61000-3-2
EN61000-3-3
EN60950-1
EN60825-1
EN300 330-1
EN300 330-2

Declaration of Conformity (Australia)

Manufacturer: Kyocera Mita Corporation (Head Office)
Manufacturer's address: 2-28, 1-Chome, Tamatsukuri, Chuo-ku, Osaka 540-8585, Japan

declares that the product

Product name: Page Printer
Model name: FS-2020D/FS-3920DN/FS-4020DN

Description of devices: This Page Printer Model FS-4020DN is 28ppm (FS-2020D is the 30ppm, FS-3920DN is the 35ppm); A4 size and utilizes plain paper; dry toner; etc. The printer can be equipped with several optional enhancement units, such as a PF-310 paper feeder.

conforms to the following product specifications:

AS/NZS 3548: 1995 (EN 55 022: 1998 Class B)
AS/NZS 4268: 2003
IEC60950-1:2001 (EN 60 950-1: 2001+A11)

The manufacturer and its merchandising companies retain the following technical documentation in anticipation of the inspection that may be conducted by the authorities concerned:

User's instruction that conforms to the applicable specifications
Technical drawings
Descriptions of procedures that guarantee conformity
Other technical information

The manufacturer has been employed with ISO9001 scheme. JQA and BS have attested the manufacturer.

Kyocera Mita Australia Pty., Ltd.
6-10 Talavera Road, North Ryde, NSW 2113, Australia
Telephone: +61 2-9888-9999
Fax: +61 2-9888-9588

Canadian Department of Communications Compliance Statement

This Class B digital apparatus complies with Canadian ICES-003.

Avis de conformité aux normes du ministère des Communications du Canada

Cet appareil numérique de la classe B est conforme à la norme NMB-003 du Canada.

EN ISO 7779

Maschinenlärminformations-Verordnung 3. GPSGV, 06.01.2004: Der höchste Schalldruckpegel beträgt 70 dB (A) oder weniger gemäß EN ISO 7779.

Afwijzing van verantwoordelijkheid

Kyocera Mita is niet aansprakelijk tegenover klanten of een andere persoon of entiteit met betrekking tot verlies of schade direct of indirect veroorzaakt door of naar zeggen veroorzaakt door apparatuur die door ons is verkocht of geleverd, inclusief maar niet beperkt tot onderbroken service, omzetverlies of winstderving, of gevolgschade die het resultaat is van het gebruik of de bediening van de apparatuur of software.

Energiebesparingfunctie

De printer is uitgerust met een slaapstand waarbij de printer in een wachtstand blijft, maar het stroomverbruik toch tot een minimum wordt beperkt als er geen printeractiviteit is binnen een ingesteld tijdsbestek.

Slaapstand

Deze printer schakelt automatisch na ongeveer 30 minuten (FS-2020D/3920DN/4020DN)/5 minuten (FS-6970DN) in de slaapstand, nadat de printer voor het laatst gebruikt is. De tijdsduur die zonder activiteit voorbij moet gaan voordat de slaapstand geactiveerd wordt, kan verlengd worden.

Dubbelzijdig printen

Deze printer heeft dubbelzijdig printen als standaardfunctie. Bij bijvoorbeeld het afdrukken van twee originelen op een vel papier als dubbelzijdige afdruk, is het mogelijk om papierverbruik te verminderen.

Hergebruikt papier

Deze printer ondersteunt het gebruik van hergebruikt papier, wat de belasting op het milieu vermindert. Uw verkoop- of servicevertegenwoordiger kan u informatie verschaffen over aanbevolen papersoorten.

Energy Star (ENERGY STAR[®]) Programma



Als deelnemend bedrijf aan het International Energy Star-programma hebben wij vastgesteld dat dit product voldoet aan de richtlijnen van het International Energy Star-programma.

Symbolen

De delen van deze handleiding en onderdelen van het apparaat die zijn aangeduid met symbolen, bevatten veiligheidswaarschuwingen ter bescherming van de gebruiker, andere personen en voorwerpen in de buurt. Ze zijn ook bedoeld voor een correct en veilig gebruik van het apparaat. De symbolen met hun betekenis worden hieronder beschreven.



GEVAAR: Dit geeft aan dat wanneer u onvoldoende aandacht besteedt aan of u niet op de juiste wijze houdt aan de betreffende punten, dit zeer waarschijnlijk zal leiden tot ernstig letsel of zelfs de dood.



WAARSCHUWING: Dit geeft aan dat wanneer u onvoldoende aandacht besteedt aan of u niet op de juiste wijze houdt aan de betreffende punten, dit zou kunnen leiden tot ernstig letsel of zelfs de dood.



VOORZICHTIG: Dit geeft aan dat wanneer u onvoldoende aandacht besteedt aan of u niet op de juiste wijze houdt aan de betreffende punten, dit kan leiden tot lichamelijk letsel of mechanische beschadiging.

De volgende symbolen geven aan dat het betreffende deel veiligheidswaarschuwingen bevat. Specifieke aandachtspunten worden binnen in het symbool aangegeven.



.... [Algemene waarschuwing]



.... [Waarschuwing voor gevaar van elektrische schokken]



.... [Waarschuwing voor hoge temperatuur]

De volgende symbolen geven aan dat het betreffende deel informatie bevat over niet-toegestane handelingen. Specifieke informatie over de niet-toegestane handeling staat binnenin het symbool.



.... [Waarschuwing voor niet-toegestane handeling]



.... [Demontage verboden]

De volgende symbolen geven aan dat het betreffende deel informatie bevat over handelingen die moeten worden uitgevoerd. Specifieke informatie over de vereiste handeling staat binnenin het symbool.



.... [Waarschuwing voor vereiste handeling]



.... [Haal de stekker uit het stopcontact]




.... [Sluit het apparaat altijd aan op een geaard stopcontact]


Neem contact op met uw servicevertegenwoordiger om een vervangingsonderdeel te bestellen als de veiligheidswaarschuwingen in deze gebruikershandleiding onleesbaar zijn of als de handleiding zelf ontbreekt. (Tegen betaling)


Voorzorgsmaatregelen bij de installatie


Omgeving

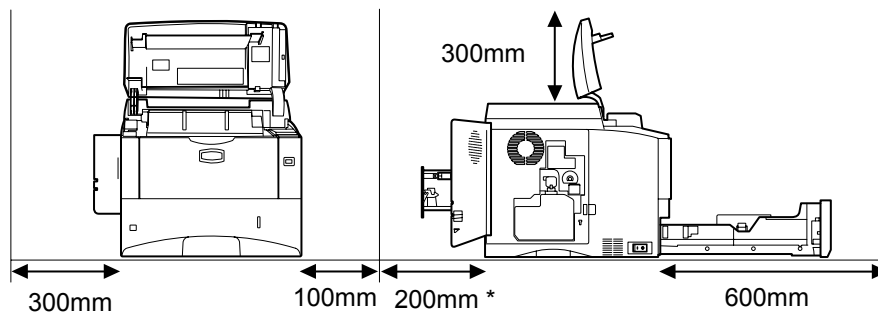
Voorzichtig

Plaats het apparaat niet op of in plaatsen die niet stabiel of vlak zijn. Op dergelijke plaatsen kan het apparaat vallen. Dergelijke situaties leveren gevaar van lichamelijk letsel of beschadiging van de apparatuur op. 

Plaats het apparaat niet op vochtige of stoffige/vuile locaties. Reinig de stekker om gevaar van brand en elektrische schokken te voorkomen, wanneer er stof en vuil op de stekker zijn terechtgekomen. 

Plaats het apparaat niet in de buurt van radiatoren, kachels of andere warmtebronnen of in de buurt van ontvlambare voorwerpen, om gevaar van brand te voorkomen. 

Laat ruimte vrij, zoals hieronder wordt aangegeven, om het apparaat koel te houden en het vervangen van onderdelen en onderhoud te vergemakkelijken. Laat met name rond de achterklep voldoende ruimte vrij, zodat de lucht de printer makkelijk kan verlaten. 



400mm FS-3920DN/FS-4020DN: PT-310
FS-6970DN: PT-430.

Overige voorzorgsmaatregelen


Ongunstige omgevingsomstandigheden kunnen van invloed zijn op de veilige werking en de prestaties van het apparaat. Installeer de printer in een ruimte met airconditioning (aanbevolen kamertemperatuur: circa 23°C, luchtvochtigheid: circa 60% RH), en vermijd de volgende locaties wanneer u een plaats voor het apparaat kiest.


- Plaats het apparaat niet in de buurt van een venster of direct in het zonlicht.
- Vermijd plaatsen met trillingen.
- Vermijd plaatsen met sterke temperatuurschommelingen.
- Vermijd plaatsen met directe blootstelling aan warme of koude lucht.
- Vermijd slecht geventileerde locaties.


Tijdens het afdrukken komt er een kleine hoeveelheid ozon vrij, maar dit heeft geen nadelige gevolgen voor de gezondheid. Als de printer echter langere tijd in een slecht geventileerde ruimte wordt gebruikt of wanneer er een zeer groot aantal kopieën wordt gemaakt, kan de geur onaangenaam worden. Een juiste omgeving voor afdrukwerk moet goed geventileerd zijn.

Stroomtoevoer/aarden van het apparaat

Waarschuwing

Gebruik geen stroomtoevoer met een ander voltage dan aangegeven. Sluit niet meerdere apparaten op één stopcontact aan. Dergelijke situaties leveren gevaar van brand of elektrische schokken op. 

Steek de stekker stevig in het stopcontact. Als metalen voorwerpen in contact komen met de pinnen van de stekker, kan dit brand of elektrische schokken veroorzaken. 

Sluit het apparaat altijd aan op een geaard stopcontact, om het gevaar van brand of elektrische schokken bij kortsluiting te voorkomen. Neem contact op met uw onderhoudstechnicus als een geaarde aansluiting niet mogelijk is. 


Overige voorzorgsmaatregelen

Sluit de stekker aan op het dichtstbijzijnde stopcontact.

Het netsnoer is het belangrijkste middel om de stroomtoevoer af te sluiten. Zorg ervoor dat het stopcontact zich bevindt/is geïnstalleerd in de buurt van de apparatuur en goed toegankelijk is.

Gebruik van plastic zakken

Waarschuwing

Houd de plastic zakken die bij het apparaat worden gebruikt uit de buurt van kinderen. Het plastic kan aan neus en mond vast blijven zitten en verstikking veroorzaken. 

Voorzorgsmaatregelen voor gebruik

Waarschuwingen bij het gebruik van het apparaat

Waarschuwing

Plaats geen metalen voorwerpen of voorwerpen die water bevatten (vazen, bloempotten, kopjes, enz.) op of in de buurt van het apparaat. Dit vormt een risico voor brand of elektrische schokken, mocht het water in het apparaat terechtkomen.



Verwijder geen van de panelen van het apparaat, omdat er dan kans bestaat op elektrische schokken als gevolg van de hoge spanning binnen in het apparaat.



Zorg dat het netsnoer niet beschadigd raakt of breekt en probeer het niet te repareren. Plaats geen zware voorwerpen op het snoer, trek er niet aan, buig het niet onnodig en veroorzaak geen andere schade. Dergelijke situaties leveren gevaar van brand of elektrische schokken op.



Probeer nooit het apparaat of onderdelen ervan te repareren of te demonteren, omdat er dan gevaar van brand, elektrische schokken of schade aan de laser bestaat. Als de laserstraal buiten het apparaat komt, kan deze blindheid veroorzaken.



Als het apparaat uitzonderlijk heet wordt, als er rook uit het apparaat komt, als er een vreemde geur ontsnapt, of als er zich een andere ongewone situatie voordoet, bestaat er gevaar van brand of een elektrische schok. Zet de hoofdstroomschakelaar onmiddellijk uit (O), zorg ervoor dat u de stekker uit het stopcontact haalt en neem contact op met uw servicevertegenwoordiger.



Als er schadelijke zaken (paperclips, water, andere vloeistoffen, enz.) in het apparaat terechtkomen, moet u onmiddellijk de hoofdstroomschakelaar uitzetten. Vervolgens moet u direct de stekker uit het stopcontact halen, om gevaar van brand of elektrische schokken te voorkomen. Neem hierna contact op met uw servicevertegenwoordiger.



Zorg dat u een stekker niet met natte handen in het stopcontact steekt of eruit haalt, omdat er dan gevaar van elektrische schokken bestaat.



Neem altijd contact op met uw onderhoudstechnicus voor onderhoud of reparatie van interne onderdelen.



Voorzichtig

Trek niet aan het netsnoer wanneer u dit uit het stopcontact haalt. Als u aan het netsnoer trekt, kunnen de draden breken en bestaat er gevaar van brand of elektrische schokken. (Pak altijd de stekker vast wanneer u het netsnoer wilt loskoppelen van het stopcontact.)



Haal altijd de stekker uit het stopcontact wanneer u het apparaat verplaatst. Als het netsnoer beschadigd raakt, bestaat er gevaar van brand of elektrische schokken.



Als het apparaat korte tijd (bijvoorbeeld 's nachts) niet wordt gebruikt, moet u de stroomschakelaar uitzetten (O). Als het apparaat langere tijd niet wordt gebruikt (tijdens vakanties, enz.), haalt u voor de veiligheid de stekker uit het stopcontact.



Houd bij het optillen of verplaatsen het apparaat altijd alleen vast op de daarvoor bestemde plaatsen.



Verwijder om veiligheidsredenen de stekker altijd uit het stopcontact bij het reinigen van het apparaat.



Als zich in het apparaat stof ophoopt, bestaat er gevaar van brand of andere problemen. Het wordt daarom aanbevolen uw onderhoudstechnicus te raadplegen met betrekking tot het reinigen van interne onderdelen. Dit is met name effectief als u dit laat doen voorafgaande aan een periode van hoge luchtvochtigheid. Raadpleeg uw servicevertegenwoordiger over de kosten voor het reinigen van de interne onderdelen in het apparaat.



Overige voorzorgsmaatregelen

Plaats geen zware voorwerpen op het apparaat en zorg dat het apparaat niet beschadigd raakt.

Open tijdens het afdrucken de bovenste voorklep niet, schakel de AAN/UIT-schakelaar niet uit en trek de stekker niet uit het stopcontact.

Neem contact op met de onderhoudstechnicus wanneer u het apparaat wilt optillen of verplaatsen.

Raak geen elektrische onderdelen, zoals connectoren of printplaten aan. Deze kunnen beschadigd raken door statische elektriciteit.

Probeer geen handelingen te verrichten die niet in deze handleiding zijn beschreven.

Gebruik beschermde interfacekabels.



Voorzichtig

Het gebruik van andere instellingen of aanpassingen of de uitvoering van andere procedures dan hierin vermeld, kan leiden tot gevaarlijke blootstelling aan straling.

Waarschuwingen voor de omgang met verbruiksartikelen



Voorzichtig

De tonercontainer mag niet worden verbrand. De vonken kunnen brandwonden veroorzaken.



Houd de tonercontainer buiten het bereik van kinderen.



Als er onverhoopt toner uit de tonercontainer wordt gemorst, moet u inademing of inname daarvan voorkomen, evenals contact met ogen en de huid.



- Als u onverhoeds toner inademt, gaat u naar een plaats met frisse lucht en gorgelt u met veel water. Neem bij opkomende hoest contact op met een arts.
- Als u toner binnenkrijgt, spoelt u uw mond met water en drinkt u 1 of 2 glazen water om de inhoud van uw maag te verdunnen. Neem indien nodig contact op met een arts.
- Als u toner in uw ogen krijgt, spoelt u ze grondig met water. Als de ogen gevoelig blijven, neemt u contact op met een arts.
- Als u toner op de huid krijgt, wast u deze met water en zeep.

De tonercontainer mag niet open worden gebroken of worden vernietigd.



Overige voorzorgsmaatregelen

Gooi de tonercontainer na gebruik altijd overeenkomstig de plaatselijke milieuwetgeving weg.

Bewaar alle verbruiksartikelen in een koele, donkere ruimte.

Als het apparaat langere tijd niet wordt gebruikt, verwijdert u het papier uit de cassette, legt u dit terug in de oorspronkelijke verpakking en verzegelt u deze weer.

Over de gebruikershandleiding

Deze gebruikershandleiding bestaat uit de volgende hoofdstukken:

1 Onderdelen van de machine

In dit hoofdstuk worden de namen van de onderdelen toegelicht.

2 Papier plaatsen

In dit hoofdstuk worden papierspecificaties voor deze printer uitgelegd en hoe het papier in de cassette of multifunctionele cassette geplaatst moet worden.

3 Aansluiten en afdrukken

In dit hoofdstuk wordt uitgelegd hoe u de printer moet opstarten, hoe u moet printen vanaf uw pc, en hoe u de software op de cd-rom moet gebruiken.

4 Onderhoud

In dit hoofdstuk wordt uitgelegd hoe de tonercontainer wordt vervangen en hoe u de printer onderhoudt.

5 Problemen oplossen


In dit hoofdstuk wordt uitgelegd hoe u eventueel optredende printerproblemen, zoals papierstoringen, oplost.

6 Appendix

Dit hoofdstuk bevat de specificaties van deze printer en geeft uitleg over standaard milieuvorwaarden.

Conventies in deze handleiding

In deze handleiding worden de volgende conventies gebruikt.

Conventie	Beschrijving	Voorbeeld
Cursief lettertype	Wordt gebruikt om een sleutelwoord, een woordgroep of verwijzing naar aanvullende informatie te benadrukken.	Raadpleeg <i>De tonercontainer vervangen</i> op pagina 4-3.
Vet	Wordt gebruikt om softwareknoppen aan te duiden	Selecteer de printer die u wilt installeren, en kies Volgende .
Vet tussen haakjes	Wordt gebruikt om toetsen op het bedieningspaneel aan te duiden.	Indien TCP/IP is ingesteld op Uit , gebruik △ of ▽ om Aan te selecteren en druk op [OK] .
Opmerking	Wordt gebruikt om aanvullende, nuttige informatie over een functie of toepassing te geven.	 Opmerking Haal de tonercontainer pas uit de doos als u klaar bent om de container in de printer te plaatsen.
Belangrijk	Wordt gebruikt om belangrijke informatie te verstrekken.	BELANGRIJK Verwijder tijdens het vervangen van de tonercontainer opslagmedia en computerbenodigdheden (zoals diskettes) uit de buurt van de tonercontainer. Zo wordt schade aan de media door de magnetische lading van de toner vermeden.
Voorzichtig	Met deze waarschuwingen wordt aangegeven dat er als gevolg van een actie mechanische beschadiging kan optreden.	VOORZICHTIG Trek niet te hard aan het papier, anders scheurt het. Gescheurde stukjes papier zijn lastig te verwijderen en kunnen gemakkelijk over het hoofd worden gezien, waardoor de storing niet kan worden opgelost..
Waarschuwing	Wordt gebruikt om gebruikers te wijzen op het gevaar van lichamelijk letsel.	WAARSCHUWING Als u de printer wilt verzenden, verwijdert u de ontwikkelaar, verpakt u deze in een plastic zak, en verzendt u deze apart van de printer.



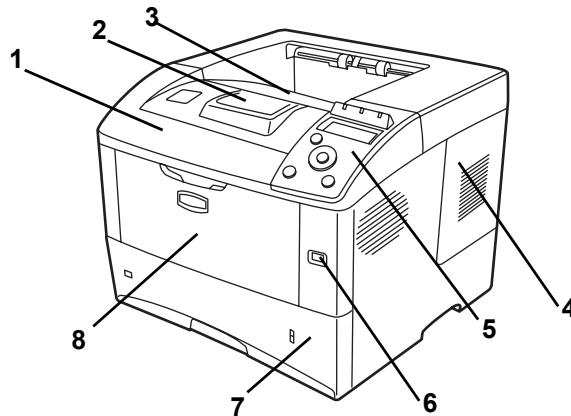
Opmerking De afbeeldingen in de gebruikershandleiding dienen enkel als voorbeeld. Afhankelijk van de inhoud zijn illustraties van de FS-2020D/3920DN/4020DN of FS-6970DN gebruikt.

1 Onderdelen van de machine

In dit gedeelte vindt u uitleg en afbeeldingen, zodat u de onderdelen en de functies van die onderdelen kunt vaststellen. Probeer voor het juiste gebruik en optimale prestaties thuis te raken in de namen en functies van deze onderdelen.

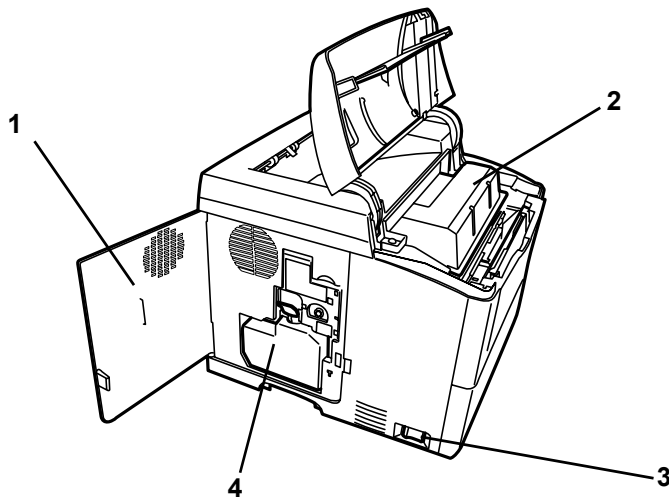
Onderdelen aan de voorkant van de printer	1-2
Onderdelen aan de achterkant van de printer	1-3
Bedieningspaneel	1-4

Onderdelen aan de voorkant van de printer



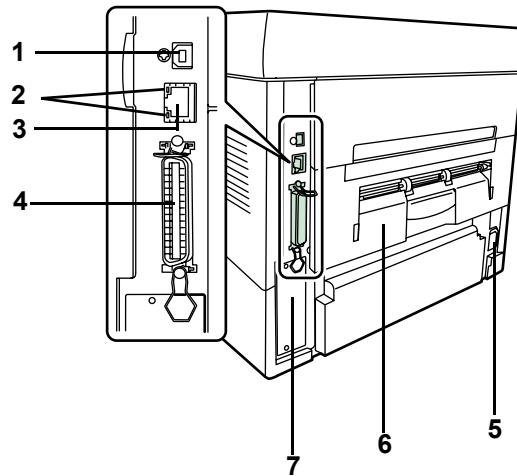
- 1 Bovenklep
- 2 Papierstopper
- 3 Bovenlade
- 4 Rechterklep
- 5 Bedieningspaneel
- 6 USB-geheugenslot
- 7 Papiercassette
- 8 MP-lade (multifunctionele cassette)

Onderdelen aan de linkerkant van de printer en interne onderdelen



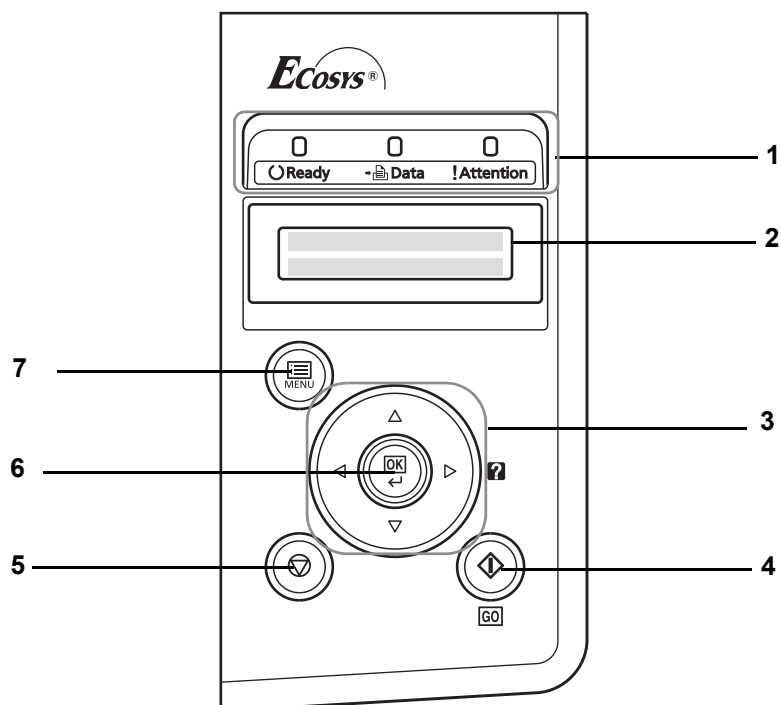
- 1 Linkerklep
- 2 Tonercontainer
- 3 AAN/UIT-schakelaar
- 4 Tonerafvalbak

Onderdelen aan de achterkant van de printer



- 1 USB-aansluiting
- 2 Netwerklampjes (alleen FS-3920DN/FS-4020DN/FS-6970DN)
- 3 Netwerkaansluiting (alleen FS-3920DN/FS-4020DN/FS-6970DN)
- 4 Parallele aansluiting
- 5 Netsnoeraansluiting
- 6 Achtereenheid
- 7 Optionele aansluitingsslot (netwerk/CF-kaart/harde schijf) (alleen FS-2020D/FS-3920DN/FS-4020DN)

Bedieningspaneel



- 1 Lampjes
- 2 Berichtenschermb
- 3 Cursortoetsen
- 4 [GO] toets
- 5 [Cancel] toets
- 6 [OK] toets
- 7 [MENU] toets

2 Papier plaatsen

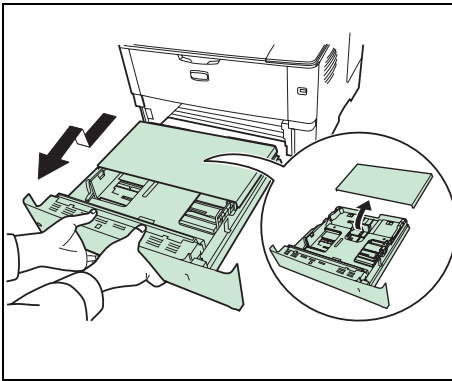
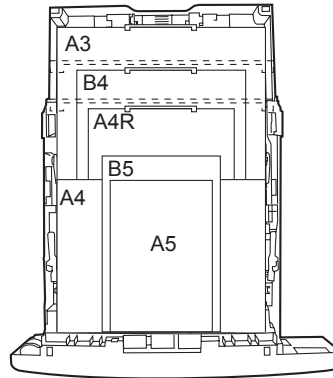
In dit hoofdstuk wordt uitgelegd hoe het papier in de cassette of de MP-lade geplaatst moet worden.

Papier in de cassette plaatsen	2-2
Papier plaatsen in de MP-lade (multifunctionele cassette)	2-6
Enveloppen in de MP-lade plaatsen (enkel de FS-2020D/3920DN/4020DN)	2-8

Papier in de cassette plaatsen

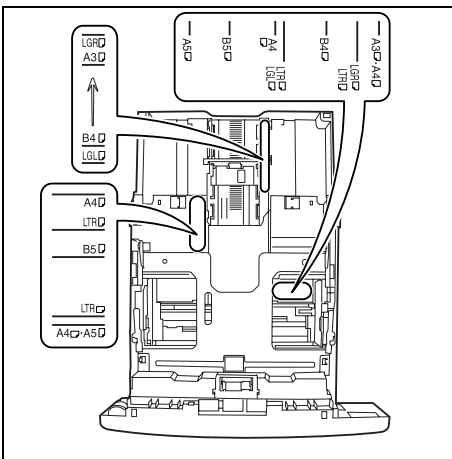
De papercassette is geschikt voor A6 (FS-2020D: A5) tot A4/Letter en Legal formaat papier en kan ongeveer 500 vel bevatten.

Voor de FS-6970DN: In de papercassette passen circa 250 vellen papier van het formaat A5 tot A3/Letter en Legal.

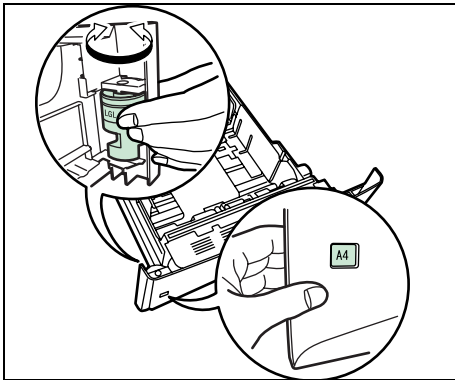


- 1 Trek de papercassette helemaal uit de printer.
Voor de FS-6970DN: verwijder het deksel van de cassette.

BELANGRIJK De cassette ondersteunen wanneer u deze uit de printer trekt, zodat deze niet uit de printer valt.



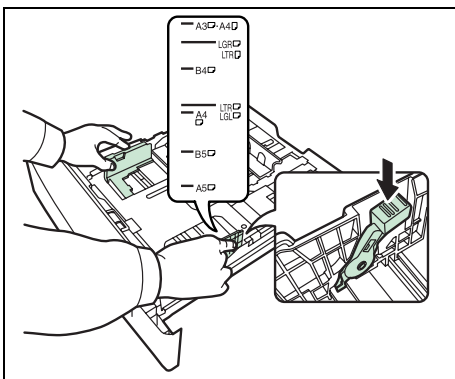
Standaard papierformaten zijn weergegeven aan de binnenkant van de papercassette.



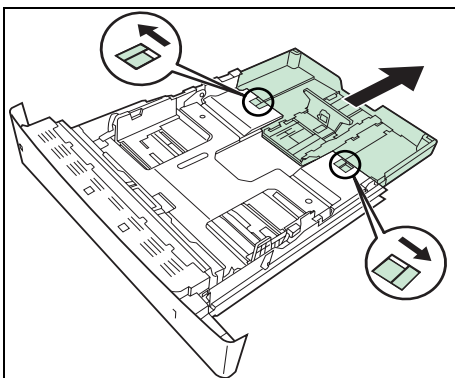
- 2 Draai aan de papiermaatknop zodat het formaat van het papier dat u gaat gebruiken verschijnt in het papiermaatvenster.



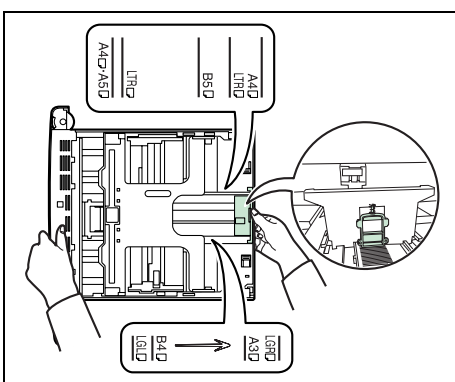
Opmerking Als de papiermaatknop is ingesteld op OTHER moet het papiermaat op het bedieningspaneel worden ingevoerd in de printer. Raadpleeg het *Aangepast papiermaat* gedeelte in de *Advanced Operation Guide*.



- 3 Trek aan de ontgrendelinghendel van de linkergeleider en schuif naar het gewenste papiermaat.

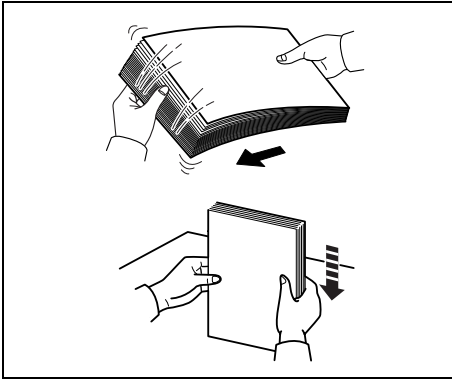


- 4 Als u papier instelt dat langer is dan A4, trekt u de verlengende papiercassettes een voor een uit door op de vergrendelinghendel te drukken en past u ze aan aan het gewenste papiermaat.

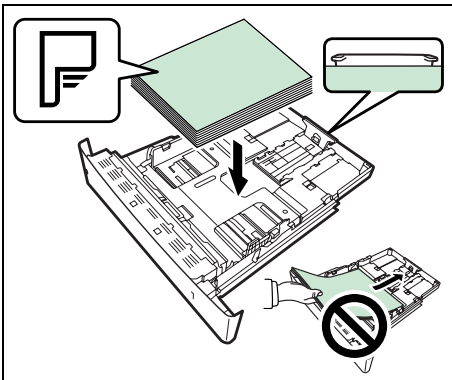


- 5 Trek aan de ontgrendelinghendel en schuif de papierstopper naar het gewenste papiermaat.

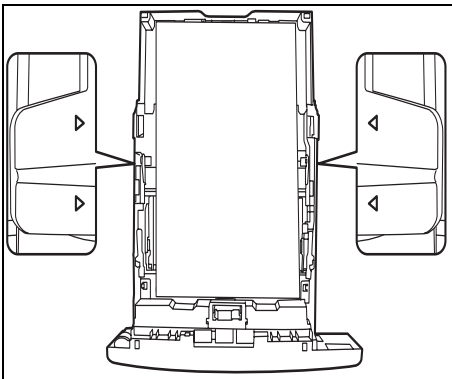
Bij gebruik van niet-standaard papiermaat, trek de papiergeleiders en de papierstopper helemaal uit, plaats het papier en pas dan de papiergeleiders en de papierstoppers aan aan het formaat van het papier. Stel ze zo in dat ze het papier licht raken.



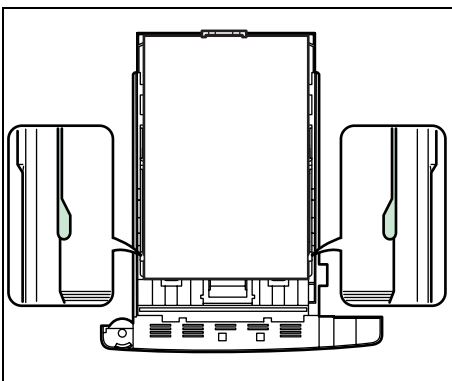
- 6** Waaier het papier los en klop daarna met de stapel op een vlakke ondergrond om hem recht te maken om papierstoringen of scheef printen te voorkomen.



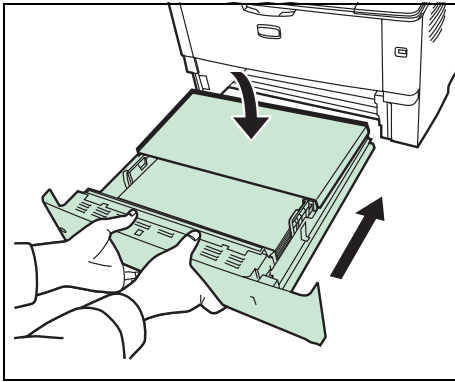
- 7** Plaats het papier in de papercassette. Zorg ervoor dat de zijde die moet worden bedrukt, omlaag wijst en dat het papier niet gevouwen, gekruld of beschadigd is.



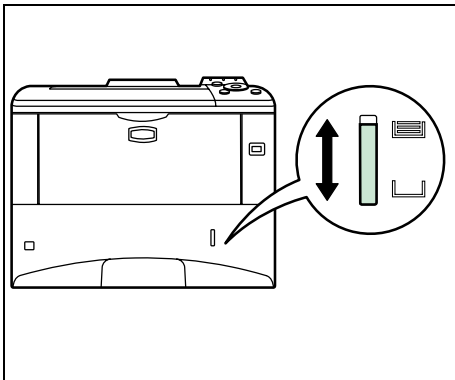
Opmerking Plaats niet meer papier dan past onder de maximale laadhoogte op de papiergeleiders.



- 8** Plaats de stapel papier zo dat hij onder de tabulators valt, zie afbeelding.



- 9 Plaats de papercassette in de sleuf van de printer. Duw de cassette recht naar voren tot deze niet verder kan.

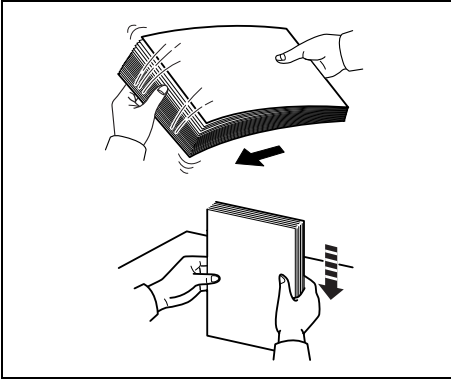


Er zit een papiermeter aan de rechtervoorkant van de papercassette die de resterende papiervoorraad aangeeft. Als het papier op is, zal de wijzer naar beneden gaan naar niveau (leeg).

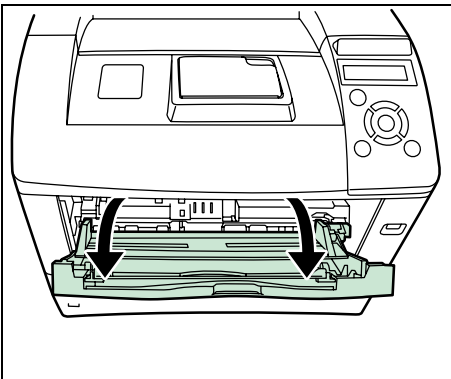
Papier plaatsen in de MP-lade (multifunctionele cassette)

De MP-lade is geschikt voor de verschillende papierformaten en kan ongeveer 100 vel papier bevatten.

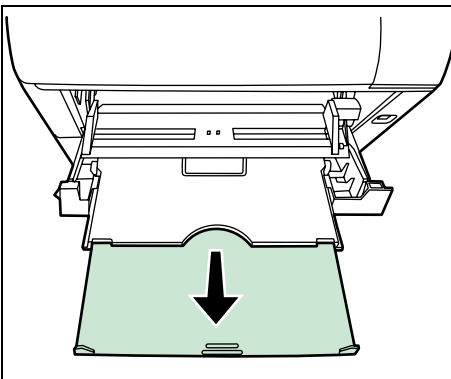
- 1 Waaier de media (papier/transparanten) los en klop ze daarna recht op een vlakke ondergrond om papierstoringen of scheef printen te voorkomen.



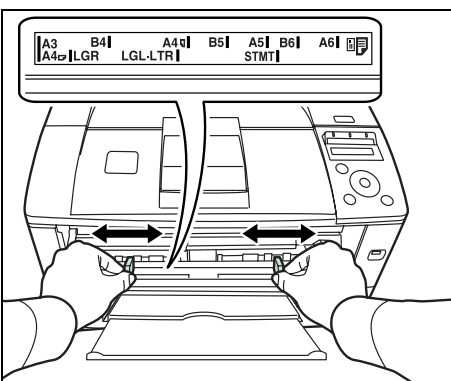
- 2 Trek de multifunctionele cassette naar u toe totdat deze stopt.

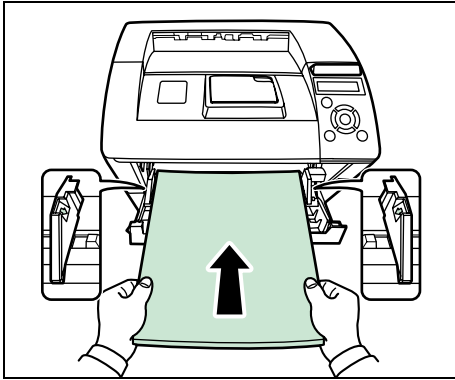


- 3 Trek de sublade uit.



- 4 Stel de papiergeleiders in op de MP-lade. Standaard papierformaten zijn aangegeven op de MP-lade. Schuif de papiergeleiders voor standaard papierformaten naar het overeenkomende teken.


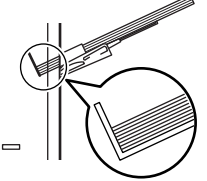
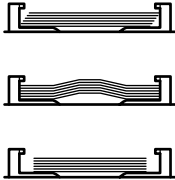
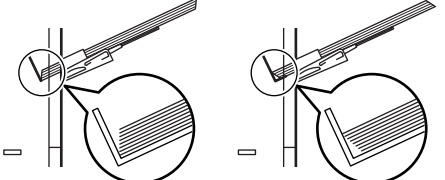




- 5** Leg het papier strak tegen de papiergeleiders en schuif het zo ver mogelijk naar binnen.



Opmerking Als het papier duidelijk naar een richting gekruld is, als het bijvoorbeeld al aan een kant bedrukt is, probeer dan om het papier in tegenovergestelde richting te rollen om de krul tegen te gaan. Afgedrukte vellen zullen er dan plat uitkomen.

Juist		
Niet juist		

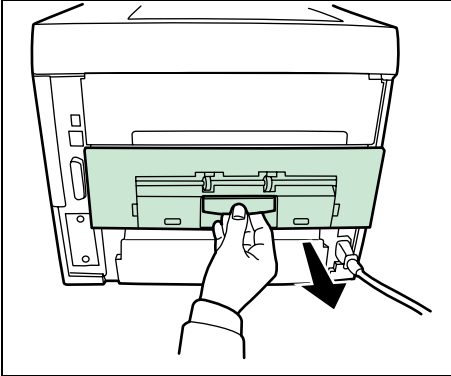
Wanneer u een envelop plaatst, doe dit dan met de klep gesloten en de te bedrukken zijde omhoog. Leg de envelop tegen de geleider met de klep aan de voorkant of linkerkant tot deze niet verder kan.

- 6** Stel het papierformaat van de MP-lade in op het bedieningspaneel van de printer. Raadpleeg het *Instellen van het papierformaat van de multifunctionele lade* gedeelte in de *Advanced Operation Guide*.

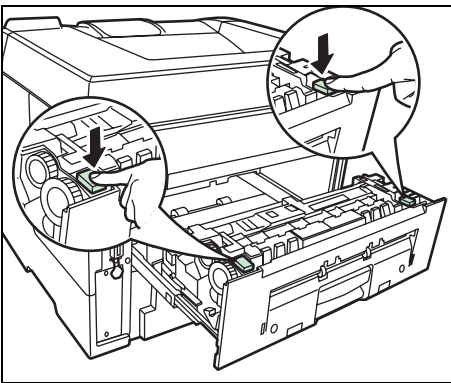
Enveloppen in de MP-lade plaatsen (enkel de FS-2020D/3920DN/4020DN)

Volg de onderstaande instructies om op de enveloppen af te drukken. Als u redelijk vaak enveloppen gebruikt, dan adviseren wij u de optionele papierinvoer EF-310 te gebruiken. (enkel bij de FS-3920DN/4020DN)

1 Open de achtereenheid.



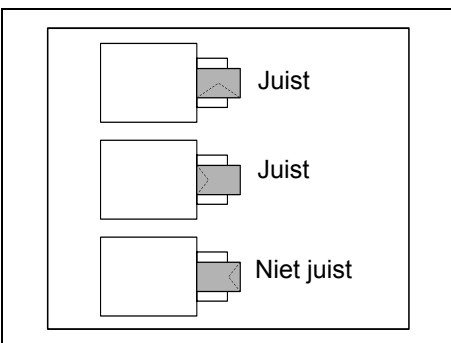
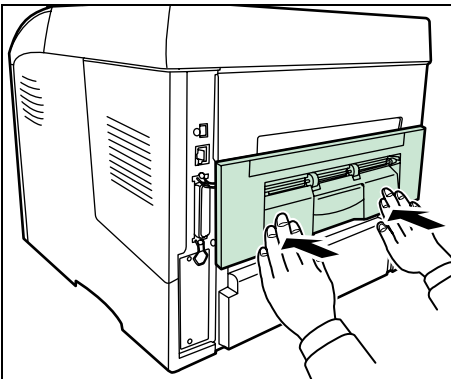
2 Druk op de groene knoppen om de papierdikte te veranderen.



VOORZICHTIG De fusereenheid binnen in de printer is heet. Raak de eenheid niet met uw handen aan, aangezien dit brandwonden kan veroorzaken.

3 Sluit de achtereenheid.

4 Volg de stappen van Papier plaatsen in de MP-lade (multifunctionele cassette) op pagina 2-6.



Wanneer u een envelop plaatst, doe dit dan met de klep gesloten en de te bedrukken zijde omhoog. Leg de envelop tegen de geleider met de klep aan de voorkant of linkerkant tot deze niet verder kan.

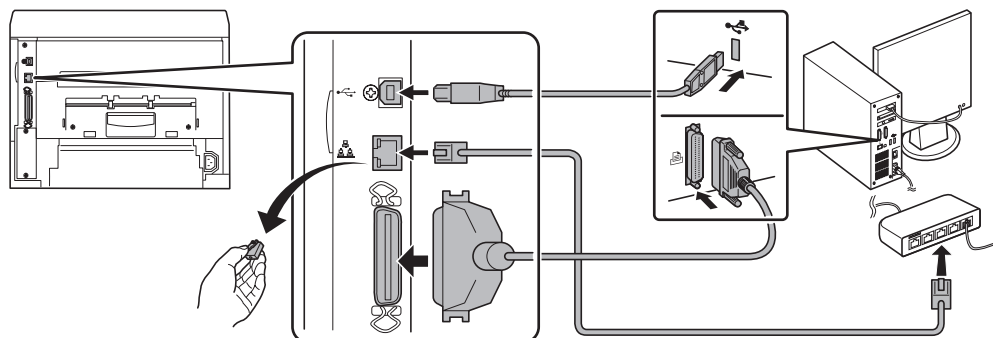
3 Aansluiten en afdrukken

In dit hoofdstuk wordt uitgelegd hoe u de printer moet opstarten, hoe u moet printen vanaf uw pc, en hoe u de software op de cd-rom moet gebruiken.

Aansluitingen	3-2
Netwerkinterface parameters wijzigen	3-4
Een Netwerkinterface-statuspagina afdrukken	3-12
Printerdriver installeren	3-13
Afdrukken vanuit applicaties	3-19
Status Monitor	3-20
Software verwijderen (Windows PC)	3-24

Aansluitingen

In dit gedeelte wordt uitgelegd hoe u de printer opstart. De onderstaande afbeelding is het overzicht van de verbindingen tussen de printer en de computer.



De USB-kabel aansluiten

Volg onderstaande stappen om de USB-kabel aan te sluiten.

- 1 Sluit de USB-kabel (niet meegeleverd) aan op de USB-aansluiting aan de achterkant van dit apparaat.



Opmerking Gebruik een USB-kabel met een rechthoekige stekker (Type A) en een vierkante stekker (type B). De USB-kabel moet afgeschermd zijn en mag niet langer dan 5 meter lang zijn.

- 2 Sluit het andere einde van de USB-kabel aan op de USB-aansluiting van de computer.

De netwerkkabel aansluiten

Volg onderstaande stappen om de netwerkkabel aan te sluiten.

- 1 Sluit de afgeschermd netwerkkabel (niet bijgeleverd) aan op de computer en de hub (concentrator).
- 2 Verwijder de dop aan de achterkant van dit apparaat en sluit het andere uiteinde van de netwerkkabel aan op de netwerkkabelinterfaceaansluiting van het apparaat en de hub.

De parallelle kabel aansluiten

Volg onderstaande stappen om de parallelle kabel aan te sluiten.

- 1 Sluit de parallelle kabel aan op de parallelle aansluiting aan de achterkant van dit apparaat.



Opmerking Gebruik een parallelle printerkabel die voldoet aan IEEE 1284 richtlijnen. Installeer de printer dicht bij de pc voor een optimaal resultaat. De verbindingkabel moet afgeschermd zijn en mag niet langer dan 3 meter lang zijn. De kabel wordt apart verkocht.

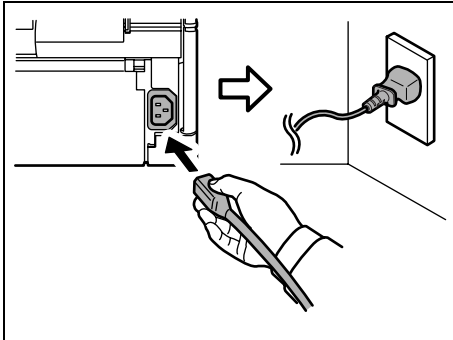
- 2 Sluit de andere kant van de parallelle kabel aan op de aansluiting van de computer aan de achterkant van dit apparaat.

Het netsnoer aansluiten

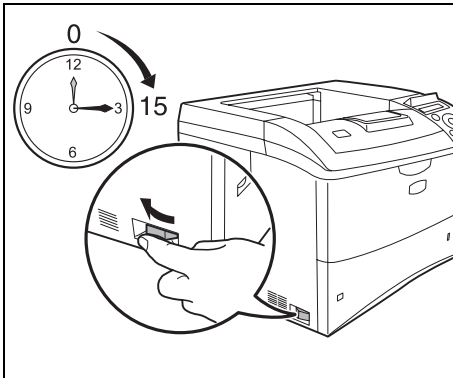
Installeer de printer dichtbij een AC stopcontact. Als u een verlengsnoer gebruikt, mag de totale lengte van het netsnoer plus het verlengsnoer niet meer dan 5 meter zijn.



Opmerking Zorg ervoor dat de printer is uitgeschakeld. Gebruik alleen het netsnoer dat bij de printer is geleverd.



- 1** Sluit het netsnoer aan op de netsnoeraansluiting aan de achterkant van de printer.



- 2** Sluit het andere einde van het netsnoer aan op een stopcontact.
- 3** Zet de AAN/UIT-schakelaar op AAN (|). De printer begint op te warmen.

BELANGRIJK Indien u de starttonercontainer installeert en de machine inschakelt, wordt na een aantal seconden het bericht Een ogenblik (toner toev.) weergegeven. Wanneer de printer na het plaatsen van de toner voor het eerst aangezet wordt, duurt het ongeveer 15 minuten voordat de printer kan gaan afdrukken. Pas als het **[Ready]** lampje brandt, is de printerinstallatie voltooid.

Netwerkinterface parameters wijzigen

Deze printer ondersteunt TCP/IP, TCP/IP (IPv6), NetWare, AppleTalk, IPP, SSL-server, IPSec-protocollen en Beveiligingsniveau. Raadpleeg voor meer informatie de *Advanced Operation Guide*.



Opmerking Doe de machine UIT en weer AAN, nadat alle netwerkinstellingen zijn gedaan. Dit moet om de instellingen van kracht te maken.

TCP/IP, TCP/IP (IPv6) instellingen

- 1 Druk op [MENU].
- 2 Druk meermaals op Δ of ∇ totdat `Netwerk>` verschijnt.

```
Netwerk >
```

- 3 Druk op \triangleright . Telkens als u op Δ of ∇ drukt, wijzigt de selectie. Raadpleeg de onderstaande uitleg bij het specificeren van de instellingen.

```
>TCP/IP  
  Uit
```

Stel dit onderdeel in op `Aan` wanneer u verbinding maakt met een netwerk m.b.v. TCP/IP. Submenu bevat onderdelen zoals DHCP, IP-adres, Subnetmasker, Gateway en Bonjour.



```
>TCP/IP (IPv6)  
  Uit
```

Stel dit onderdeel in op `Aan` wanneer u verbinding maakt met een netwerk m.b.v. TCP/IP (IPv6). Submenu bevat onderdelen zoals RA (Stateless) en DHCPv6.

TCP/IP

In dit gedeelte wordt uitgelegd hoe het TCP/IP-protocol in te schakelen.

```
>TCP/IP      >
  Aan
```

- 1 Indien TCP/IP is ingesteld op `Uit`, gebruik Δ of ∇ om `Aan` te selecteren en druk op **[OK]**.

```
>>DHCP
  Uit
```

- 2 Druk op \triangleright . Telkens als u op Δ of ∇ drukt, wijzigt de selectie.

```
>>IP-adres
  000.000.000.000
```

```
>>Subnetmasker
  000.000.000.000
```

```
>>Gateway
  000.000.000.000
```

```
>>Bonjour
  Uit
```

```
>>Subnetmasker
  000.000.000.000
```

- 3 Geef het onderdeel weer dat u wilt instellen en druk op **[OK]**. Een knipperend vraagteken (?) verschijnt terwijl u DHCP en Bonjour instelt. Een knipperende cursor () verschijnt terwijl u IP-adres, Subnetmasker en Gateway instelt.

- 4 Druk op Δ of ∇ om `Aan` of `Uit` te selecteren als instelling voor DHCP en Bonjour.

Druk voor de IP-adres, Subnetmasker en Gateway instellingen op Δ of ∇ om de knipperende cursor te verplaatsen naar het nummer dat u wilt wijzigen (000 tot 255). Gebruik \triangleleft en \triangleright om de cursor naar rechts en links te bewegen.



Opmerking Raadpleeg uw netwerkbeheerder voor de netwerkadres instellingen.

- 5 Druk op **[OK]**.
- 6 Druk op **[MENU]**. Het scherm keert terug naar `Klaar`.

TCP/IP (IPv6)

In dit gedeelte wordt uitgelegd hoe het TCP/IP (IPv6)-protocol in te schakelen.

```
>TCP/IP (IPv6) >
  Aan
```

```
>>RA (Stateless)
  Uit
```



```
>>DHCPv6
  Uit
```

```
>>RA (Stateless)
  ?Uit
```



```
>>DHCPv6
  ?Uit
```

1 Indien TCP/IP (IPv6) is ingesteld op `Uit`, gebruik Δ of ∇ om `Aan` te selecteren en druk op **[OK]**.

2 Druk op \triangleright . Telkens als u op Δ of ∇ drukt, wijzigt de selectie.

3 Geef het onderdeel weer dat u wilt instellen en druk op **[OK]**. Een knipperend vraagteken (?) verschijnt terwijl u `RA (Stateless)` en `DHCPv6` instelt.

4 Druk op Δ of ∇ om `Aan` of `Uit` te selecteren als instelling voor `RA (Stateless)` en `DHCPv6`.



Opmerking Raadpleeg uw netwerkbeheerder voor de netwerkadres instellingen.

5 Druk op **[OK]**.

6 Druk op **[MENU]**. Het scherm keert terug naar `Klaar`.

NetWare, AppleTalk, IPP, SSL-server, IPSec en Beveiligingsniveau instellingen

```
Beveiliging >
```

1 Druk op **[MENU]**.

2 Druk meermaals op Δ of ∇ totdat `Beveiliging >` verschijnt.

- 3 Druk op ▷. Telkens als u op △ of ▽ drukt, wijzigt de selectie. Raadpleeg de onderstaande uitleg bij het specificeren van de instellingen.

ID
—



Wachtwoord
—



>NetWare >
Aan



>AppleTalk
Aan



>IPP
Uit



>SSL-server
Uit



>IPSec
Uit

Als u NetWare, AppleTalk, IPP, SSL-server of IPSec gebruikt om verbinding te maken met een netwerk, moet u een beheerder-ID invoeren en op **[OK]** drukken. De standaard instelling is het numerieke gedeelte van de modelnaam van uw printer. Als u FS-2020D gebruikt, voer dan "2020" in.

Als u NetWare, AppleTalk, IPP, SSL-server of IPSec gebruikt om verbinding te maken met een netwerk, moet u een beheerderwachtwoord invoeren en op **[OK]** drukken. De standaard instelling is het numerieke gedeelte van de modelnaam van uw printer. Als u FS-2020D gebruikt, voer dan "2020" in.

Stel dit onderdeel in op Aan wanneer u verbinding maakt met een netwerk m.b.v. Netware. In het submenu kan de framemodus worden geselecteerd uit Auto, 802, 3, Ethernet-II, SNAP en 802, 2.

AppleTalk moet worden geactiveerd (Aan) om netwerkverbinding te maken met Macintosh computers.

Stel dit onderdeel in op Aan wanneer u verbinding maakt met een netwerk m.b.v. IPP.

Stel dit onderdeel in op Aan wanneer u verbinding maakt met een netwerk m.b.v. SSL-server. Submenu bevat onderdelen zoals DES, 3DES, AES, IPP over SSL en HTTPS.

Stel dit onderdeel in op Aan wanneer u verbinding maakt met een netwerk m.b.v. IPSec.

Vervolg op de volgende pagina.



```
>Beveilig.niveau  
Hoog
```

Stel het Beveiligingsniveau in op Hoog.

NetWare

In dit gedeelte wordt de procedure voor het inschakelen van NetWare beschreven.

```
>NetWare >  
Aan
```

1 Voer de beheerder-ID en wachtwoord in. Dan, indien NetWare is ingesteld op Uit, gebruik Δ of ∇ om Aan te selecteren en druk op **[OK]**.

```
>>Frametype  
Auto
```

2 Druk op \triangleright .

```
>>Frametype  
?Auto
```

3 Druk op **[OK]**. Er verschijnt een knipperend vraagteken (?). Telkens als u op Δ of ∇ drukt, wijzigt de selectie.



```
>>Frametype  
?802.3
```



```
>>Frametype  
?Ethernet-II
```



```
>>Frametype  
?802.2
```



```
>>Frametype  
?SNAP
```

4 Geef het onderdeel weer dat u wilt instellen en druk op **[OK]**.

5 Druk op **[MENU]**. Het scherm keert terug naar Klaar.

AppleTalk

In dit gedeelte wordt de procedure voor het inschakelen van AppleTalk beschreven.

```
>AppleTalk
  Aan
```

1 Voer de beheerder-ID en wachtwoord in. Dan, indien AppleTalk is ingesteld op `Uit`, gebruik Δ of ∇ om `Aan` te selecteren.

```
>AppleTalk
?Aan
```

2 Druk op **[OK]**. Er verschijnt een knipperend vraagteken (?).

3 Druk opnieuw op **[OK]**.

4 Druk op **[MENU]**. Het scherm keert terug naar `Klaar`.

IPP

In dit gedeelte wordt de procedure voor het inschakelen van IPP beschreven.

```
>IPP
  Aan
```

1 Voer de beheerder-ID en wachtwoord in. Dan, indien IPP is ingesteld op `Uit`, gebruik Δ of ∇ om `Aan` te selecteren.

```
>IPP
?Aan
```

2 Druk op **[OK]**. Er verschijnt een knipperend vraagteken (?).

3 Druk opnieuw op **[OK]**.

4 Druk op **[MENU]**. Het scherm keert terug naar `Klaar`.

SSL-server

In dit gedeelte wordt de procedure voor het inschakelen van de SSL-server beschreven.

```
>SSL-server
  Aan
```

- 1 Voer de beheerder-ID en wachtwoord in. Dan, indien `SSL-server` is ingesteld op `Uit`, gebruik Δ of ∇ om `Aan` te selecteren en druk op **[OK]**.

```
>>DES
  Uit
```



```
>>3DES
  Uit
```



```
>>AES
  Uit
```



```
>>IPP over SSL
  Uit
```



```
>>HTTPS
  Uit
```

```
>>DES
  ?Uit
```

- 2 Druk op \triangleright . Telkens als u op Δ of ∇ drukt, wijzigt de selectie.

- 3 Geef het onderdeel weer dat u wilt instellen en druk op **[OK]**. Er verschijnt een knipperend vraagteken (?).

- 4 Selecteer `Aan` of `Uit` m.b.v. Δ of ∇ .

- 5 Druk op **[OK]**.

- 6 Druk op **[MENU]**. Het scherm keert terug naar `Klaar`.

IPSec

In dit gedeelte wordt de procedure voor het inschakelen van IPSec beschreven.

```
>IPSec
  Aan
```

- 1 Voer de beheerder-ID en wachtwoord in. Dan, indien `IPSec` is ingesteld op `Uit`, gebruik Δ of ∇ om `Aan` te selecteren.

```
>IPSec
  ?Aan
```

- 2 Druk op **[OK]**. Er verschijnt een knipperend vraagteken (?).

- 3 Druk opnieuw op **[OK]**.

- 4 Druk op **[MENU]**. Het scherm keert terug naar `Klaar`.

Beveiligingsniveau

>Beveilig.niveau Hoog

Beveilig.niveau is een menu dat voornamelijk wordt gebruikt door servicepersoneel voor onderhoudswerk. Klanten hoeven dit menu niet te gebruiken.

Een Netwerkinterface-statuspagina afdrukken

U kunt een statuspagina voor de netwerkinterface afdrukken. De netwerkstatus pagina toont de netwerkadressen, en andere informatie onder verschillende netwerkprotocollen over de netwerkinterface.

Aanpassen/Onderhoud

Aanpassen/Onderhoud wordt gebruikt om de afdrukkwaliteit aan te passen en printeronderhoud uit te voeren.

De beschikbare opties in Aanpassen/Onderhoud zijn de volgende:

- Printer opnieuw starten
- Service

BELANGRIJK *Service* is een menu dat voornamelijk wordt gebruikt door servicepersoneel voor onderhoudswerk. Klanten hoeven dit menu niet te gebruiken.

1 Druk op **[MENU]**.

2 Druk meermaals op Δ of ∇ totdat *Aanpassen/Onderhoud >* verschijnt.

```
Aanpassen/
Onderhoud >
```

3 Druk op \triangleright terwijl *Aanpassen/Onderhoud >* wordt weergegeven.

4 Druk meermaals op Δ of ∇ totdat *>Service >* verschijnt.

5 Druk op \triangleright .

6 Druk meermaals op Δ of ∇ totdat *>>Netwerk afdr. Statuspagina* verschijnt.

```
>>Netwerk afdr.
Statuspagina ?
```

7 Druk op **[OK]**. Er verschijnt een vraagteken (?).

8 Druk op **[OK]**. *Bezig m verwerkn* verschijnt en er wordt een statuspagina afgedrukt.

9 Wanneer het afdrukken is beëindigd, keert het scherm terug naar *Klaar*.

Printerdriver installeren

Sluit de pc volgens de instructies in de handleiding aan op de printer en schakel de printer in om de printerdriver te installeren. Raadpleeg voor meer informatie over de printerdriver de *KX Driver User Guide* op de cd-rom.

De printerdriver op een Windows pc installeren

Dit hoofdstuk legt uit hoe de printerdriver onder Windows Vista geïnstalleerd moet worden..



Opmerking Om de printerdriver te installeren, moet u aanloggen met rechten van de beheerder.



- 1 Zorg ervoor dat de printer aan staat en aangesloten is op de USB of netwerkpoort van de computer voordat u de software vanaf de cd-rom installeert.



Opmerking Als er een Plug-en-Play venster zoals links afgebeeld verschijnt, selecteert u **Annuleren**.

- 2 Plaats de cd-rom (Product Library) in het cd-romstation. Als het venster **Automatisch afspelen** verschijnt, selecteert u **Run Setup.exe**. Het venster Kennisgeving verschijnt.



Opmerking Als het installatieprogramma niet automatisch wordt gestart, gebruikt u Windows Verkenner om de cd-rom te openen en selecteert u Setup.exe.

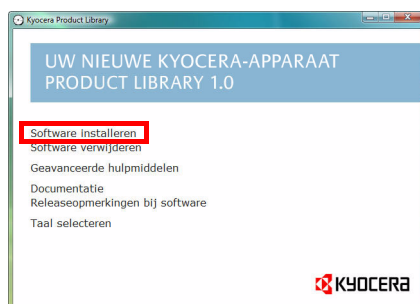
- 3 U kiest **Gebruiksrechtsovereenkomst weergeven** om de informatie te lezen en dan kiest u **Accepteren** om verder te gaan.



- 4 U kiest **Software installeren**. Het venster Installatiemethode verschijnt.



Opmerking U kiest in Windows XP **Software Installeren** om de Installatie wizard te starten. Kies **Volgende** om het Installatiemethode venster weer te geven.



- 5 Kies Snelle modus of Aangepaste modus als installatiemethode.

- Snelle modus: Als de printer via USB of het netwerk is aangesloten en ingeschakeld staat, detecteert het installatieprogramma de printer. Kies Snelle modus om een standaard installatie uit te voeren.
- Aangepaste modus: Met deze optie kunt u items selecteren die overeenkomstig geïnstalleerd worden en de poort specificeren.

Volg onderstaand hoofdstuk volgens de installatiemethode.

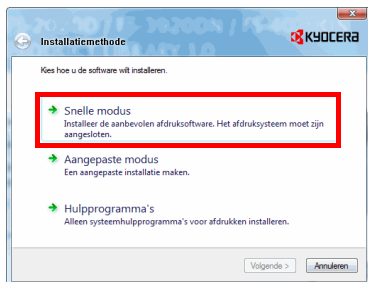
Snelle modus

Wanneer u kiest voor **Snelle modus**, worden de printerdriver en lettertypen geïnstalleerd. Nadat u met deze modus geïnstalleerd heeft, kunnen de andere functies toegevoegd worden door het gebruik van de **Aangepaste modus**.

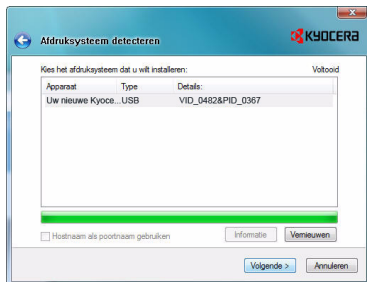
- 1 Kies in het venster Installatiemethode **Snelle modus**. Het installatieprogramma zoekt de aangesloten printers in het Afdruksysteem detecteren venster. Als er geen printer is gedetecteerd, zorg er dan voor dat de printer aan staat en aangesloten is op de USB of Netwerkpoot van de computer, kies dan **Vernieuwen** om opnieuw printers te zoeken.



Opmerking Als het dialoogvenster **Nieuwe hardware gevonden** verschijnt, selecteert u **Annuleren**.



- 2 Selecteer de printer die u wilt installeren, en kies **Volgende**.



- 3 Bevestig de instellingen en kies **Installeren**. De installatie van de printerdriver start.



Opmerking Als tijdens het installatieproces het Windows Beveiliging venster verschijnt, kiest u **Deze driversoftware toch installeren**.

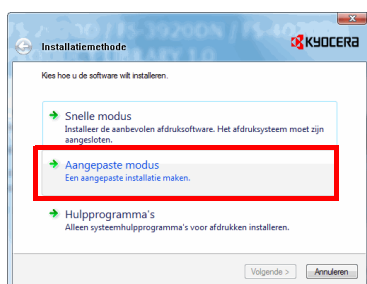
Als het venster Hardware Installatie verschijnt in Windows XP, kiest u **Toch doorgaan**.

- 4 Installatie voltooid venster verschijnt. Kies **Voltooien** om terug te keren naar het hoofdmenu.

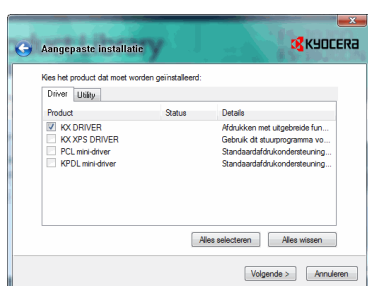
Aangepaste modus

Wanneer u kiest voor de **Aangepaste modus**, worden de printerpoort en de hulpprogramma's zo nodig veranderd.

- 1 Kies in het venster Installatiemethode **Aangepaste modus**.



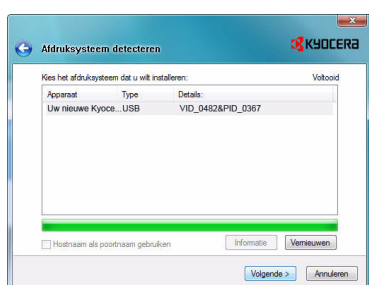
- 2 Op het tabblad Driver en het tabblad Hulpprogramma in het venster Aangepaste installatie kiest u de printerdriver en de hulpprogramma's die u wilt installeren, en klik op **Volgende**.



- 3 Selecteer de printer die u wilt installeren, en kies **Volgende**.



Opmerking Als u de poort die verbonden is met de printer wilt toevoegen of wijzigen selecteert u de printer en **Aangepaste selectie**, en kies **Volgende**. De wizard **Standaard TCP/IP printerpoort toevoegen** verschijnt. Volg de stappen in de wizard om de poort toe te voegen of te wijzigen.



- 4 Bevestig de instellingen en kies **Installeren**. De installatie van de printerdriver start.



Opmerking Als tijdens het installatieproces het Windows Beveiliging venster verschijnt, kiest u **Deze driversoftware toch installeren**.

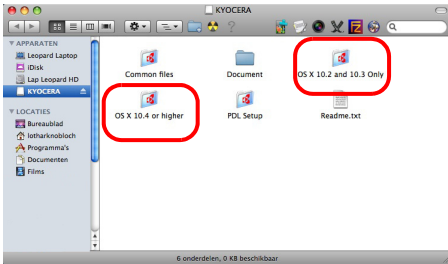
Als het venster Hardware Installatie verschijnt in Windows XP, kiest u **Toch doorgaan**.

- 5 Installatie voltooid venster verschijnt. Kies **Voltoeien** om terug te keren naar het hoofdmenu.

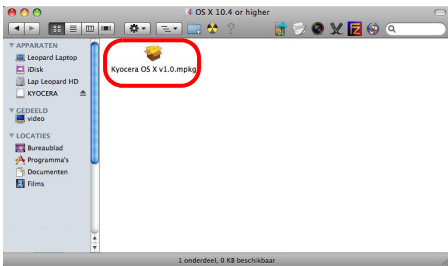
De printerdriver op een Mac Besturingssysteem installeren

Dit hoofdstuk legt uit hoe de printerdriver op een MAC Besturingssysteem geïnstalleerd moet worden.

- 1 Schakel de printer en de Macintosh in.
- 2 Plaats de bijgeleverde cd-rom (**Product Library**) in het cd-romstation.
- 3 Dubbelklik op het cd-rom pictogram.
- 4 Dubbelklik op **OS X 10.2 and 10.3 Only** of **OS X 10.4 or higher** afhankelijk van uw MAC OS-versie.



- 5 Dubbelklik op **Kyocera OS X x.x.**



- 6 Het installatieprogramma van de printerdriver start.



- 7 Kies **Bestemming selecteren**, **Installatietype** en installeer vervolgens de printerdriver zoals aangegeven door de instructies in de installatiesoftware.



Opmerking Behalve **Eenvoudige installatie**, omvatten de **Installatietype** opties **Aangepaste installatie**, waarmee u de te installeren onderdelen kunt specificeren.

BELANGRIJK Voer in het scherm Verificatie de naam en het wachtwoord in die worden gebruikt voor het besturingssysteem.

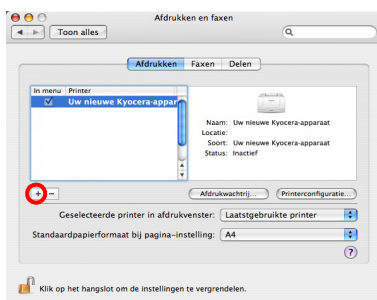
Hiermee is de installatie van de printerdriver voltooid. Specificeer vervolgens de afdrুকinstellingen.

Indien er een IP- of AppleTalk verbinding wordt gebruikt, zijn de onderstaande instellingen vereist. Indien een USB-verbinding wordt gebruikt, wordt de printer automatisch herkend en verbonden.

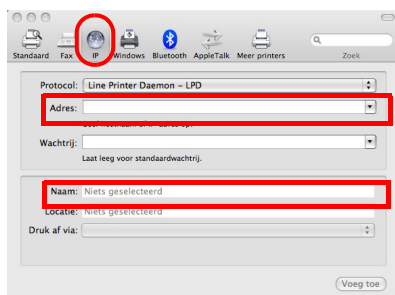
8 Open **Systeemvoorkeuren** en kies **Afdrukken en faxen**.



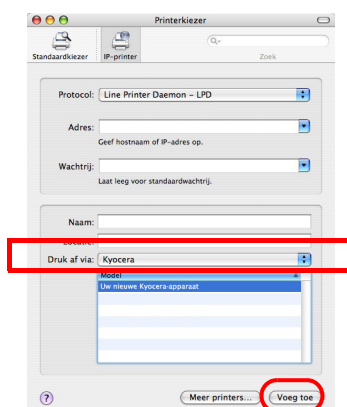
9 Klik op het plus-symbool (+) om de geïnstalleerde printerdriver toe te voegen.

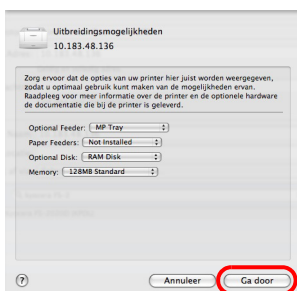


10 Klik op de IP-icoon voor een IP-verbinding en voer het IP-adres en de printernaam in. Wanneer u op de AppleTalk-icoon klikt voor een AppleTalk-verbinding, voer dan de printernaam in.

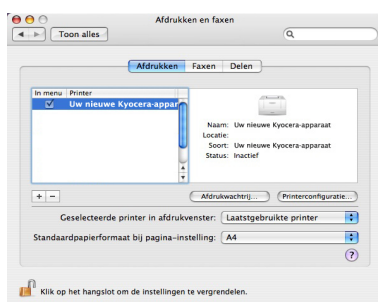


11 Selecteer de geïnstalleerde printerdriver en kies **Voeg toe**.





12 Selecteer de beschikbare opties voor de printer en kies **Ga door**.



13 De geselecteerde printer wordt toegevoegd. Hiermee is de procedure voor de printerinstelling voltooid.

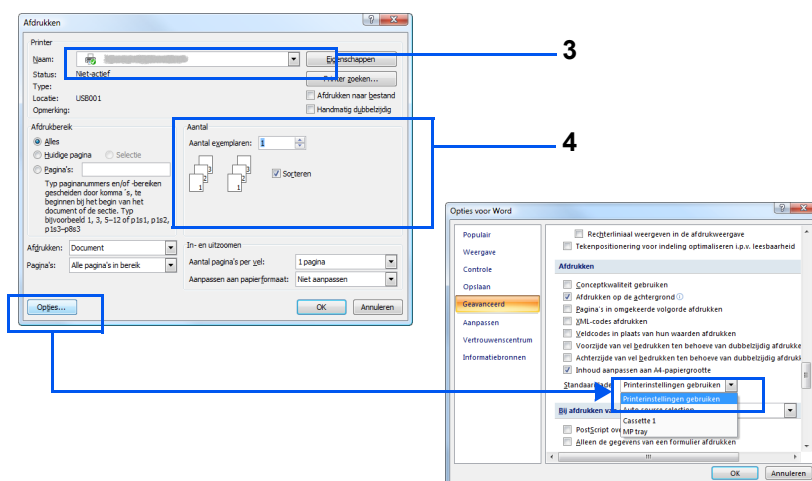
Afdrukken vanuit applicaties

Hieronder worden de stappen beschreven die nodig zijn voor het afdrukken van een document dat met een applicatie gemaakt is. U kunt het papierformaat en de afleveringsbestemming voor de afdrukken selecteren.



Opmerking U kunt ook de verschillende instellingen selecteren door te klikken op **Eigenschappen** om het dialoogvenster Eigenschappen te openen.

- 1 Plaats het gewenste papier in de papercassette.
- 2 Selecteer vanuit de applicatie in het menu **Bestand** de optie **Afdrukken**. Het dialoogvenster Afdrukken verschijnt.
- 3 Klik op de vervolgkeuzelijst met printernamen. Alle printers die zijn geïnstalleerd, staan vermeld. Klik op de naam van de printer.
- 4 Voer bij Aantal exemplaren het aantal afdrukken in dat u wilt maken. Er kunnen maximaal 999 exemplaren afgedrukt worden. Voor Microsoft Word wordt aanbevolen dat u op **Opties** klikt en **Printerinstellingen gebruiken specificeert** als standaard papierlade.



- 5 Klik op **OK** om te beginnen met afdrukken.

Status Monitor

De *Status Monitor* bewaakt de printerstatus en voorziet in een doorlopend functioneringsrapport. Het stelt u ook in de gelegenheid om instellingen voor printers te specificeren en te wijzigen die niet in de KX driver voorkomen.

De *Status Monitor* wordt automatisch geïnstalleerd tijdens de KX driver installatie.

Toegang tot de Status Monitor

Gebruik een van onderstaande methodes voor het starten van de Status Monitor.

- Start wanneer het afdrukken begint:
Wanneer u een printer specificeert en een afdruktaak start, wordt een Status Monitor gestart voor iedere printernaam. Als een Status Monitor start wordt vereist voor meerdere printers, wordt een Status Monitor gestart voor iedere printer die dat verzoek uitvaardigt.
- Start van de KX drivereigenschappen:
Klik op **Afdrukinstellingen** in het dialoogvenster Eigenschappen. Selecteer de tab Geavanceerd en klik op **Status Monitor** om de Status Monitor op te starten.

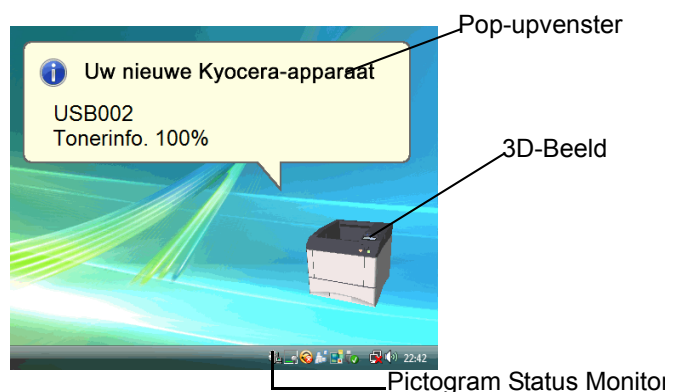
Verlaten van de Status Monitor

Gebruik een van onderstaande methodes voor het verlaten van de Status Monitor.

- Handmatig verlaten:
Klik met de rechter muisknop op het pictogram van de Status Monitor in de taakbalk en kies **Verlaten** in het menu, voor het verlaten van de Status Monitor.
- Automatisch verlaten:
De Status Monitor sluit automatisch na 5 minuten als deze niet wordt gebruikt.

Schermoverzicht

Het schermoverzicht van de Status Monitor is als volgt.



Pop-upvenster

Als een gebeurtenismelding zich voordoet, verschijnt een pop-upvenster. Dit venster verschijnt alleen als het 3D-Beeld geopend is op het bureaublad.

3D-Beeld

Dit laat de status van de bewaakte printer zien als een 3D-afbeelding. U kunt kiezen om het 3D-beeld te laten zien of te verbergen in het weergegeven menu wanneer u met de rechter muisknop op het pictogram van de Status Monitor klikt.

Als een gebeurtenismelding zich voordoet, worden het 3D-beeld en een geluidsmelding gebruikt om u in kennis te stellen. Raadpleeg voor meer informatie over de geluidsmelding *Instellingen Status Monitor* op pagina 3-22.

Pictogram Status Monitor

Het Status Monitor pictogram wordt weergegeven in het meldingsgebied van de taakbalk wanneer de Status Monitor loopt. Wanneer u de cursor over het pictogram beweegt, verschijnt de printernaam.

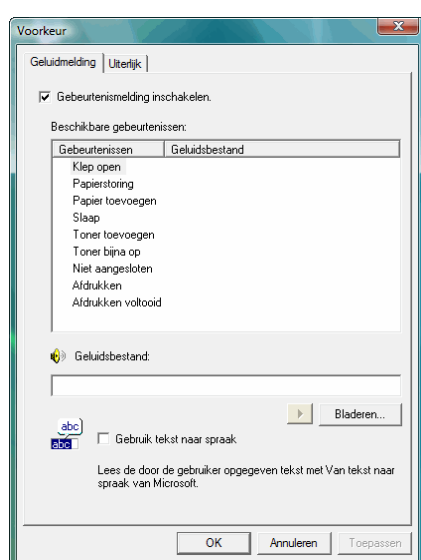
Instellingen Status Monitor

De Status Monitor heeft twee tabbladen waar u instellingen kunt configureren. Gebruik de **Voorkeur** functie voor het instellen van de Status Monitor.

Tabblad geluidsmelding

Het tabblad Gebeurtenismelding bevat de volgende onderdelen.

BELANGRIJK Uw computer vereist geluidsmogelijkheden zoals een geluidskaart en luidsprekers om de instellingen op het tabblad Geluidsmelding te kunnen bevestigen.



Gebeurtenismelding inschakelen

Kies in- of uitschakelen van gebeurtenissenbewaking in Gebeurtenissen beschikbaar.

Geluidsbestand

Een geluidsbestand kan geselecteerd worden als u een kennisgeving met geluid wilt ontvangen. Kies **Bladeren** om het geluidsbestand te zoeken.

Gebruik tekst naar spraak

Kies dit selectievakje om uw tekst in te voeren die u wilt horen tijdens gebeurtenissen. Hoewel een geluidsbestand niet nodig is, is deze functie alleen toepasbaar voor Windows XP en Windows Vista.

Neem de volgende stappen om deze functie te gebruiken.

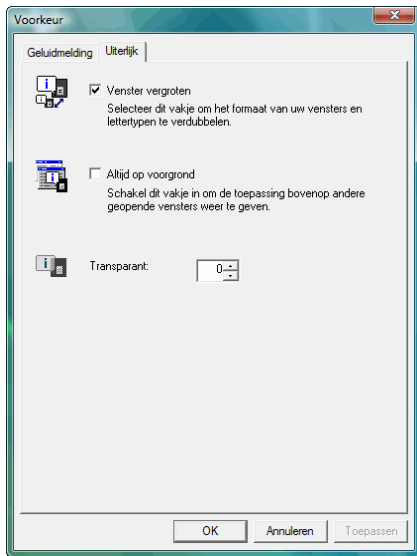
- 1 Kies **Inschakelen gebeurtenismelding**.
- 2 Selecteer een gebeurtenis of geluidsbestand die gebruikt moet worden met de optie tekst naar spraak in *Beschikbare gebeurtenissen*.
- 3 Kies **Bladeren** om de gebeurtenis te melden door een geluidbestand.



Opmerking De beschikbare bestandsopmaak is WAV.

Kies **Gebruik tekst naar spraak** om tekst die ingegeven is in het vakje *Tekst naar spraak* uit te spreken wanneer een gebeurtenis plaatsvindt.

- 4 Kies **Afspelen** om het juist afspelen van het geluid of de tekst te bevestigen.



Tabblad Uiterlijk

Het tabblad Uiterlijk bevat de volgende onderdelen.

Venster vergroten

Verdubbelt het formaat van het Status Monitor venster.

Altijd op voorgrond

Geeft de Status Monitor bovenop andere geopende vensters.

Transparant

Geeft de Status Monitor als een transparant venster weer.

Software verwijderen (Windows PC)

De software kan worden verwijderd m.b.v. de cd-rom (Product Library) die bij de printer is geleverd.

BELANGRIJK Op Macintosh computers kan de software niet worden verwijderd m.b.v. de cd-rom (Product Library), omdat de printerinstellingen worden gespecificeerd m.b.v. een PPD (PostScript Printer Description) -bestand.

- 1** Sluit alle actieve softwareapplicaties af.
- 2** Plaats de bijgeleverde cd-rom (Product Library) in het cd-romstation.
- 3** Volg de procedure die u heeft gebruikt om de printerdriver te installeren en kies **Software verwijderen**. De Kyocera Uninstaller wizard verschijnt.
- 4** Selecteer de te verwijderen softwareprogramma's.
- 5** Kies Verwijderen.



Opmerking In Windows Vista, verschijnt het Verwijder stuurprogramma en Pakket venster. Kies **Verwijder stuurprogramma en stuurprogrammapakket**, en klik op **OK**.

De uninstaller start.

- 6** Als het venster Verwijderen voltooid verschijnt, selecteert u **Volgende**.
- 7** Kies of u uw computer wilt herstarten of niet, en klik op **Finish**.

4 Onderhoud

In dit hoofdstuk wordt uitgelegd hoe de tonercontainer vervangen moet worden en hoe de printer gereinigd moet worden.

Algemene informatie	4-2
Vervanging tonercontainer	4-2
De printer reinigen	4-8
Langdurig buiten gebruik en de printer verplaatsen	4-9

Algemene informatie

In dit hoofdstuk worden basis onderhoudstaken beschreven die u op de printer kunt uitvoeren. U kunt de volgende onderdelen vervangen naar aanleiding van een bericht op het printerscherm:

- Tonerpakketten
- Tonerafvalbak

De interne onderdelen dienen tevens regelmatig gereinigd te worden.



Opmerking Verzamelen van informatie op geheugenchips - De geheugenchip die aan de tonercontainer vast zit, is ontwikkeld om het gemak voor de eindgebruiker te vergroten; om hergebruik van lege tonercontainers te ondersteunen; en om informatie te verzamelen ter ondersteuning van nieuwe productplanning en -ontwikkeling. De verzamelde informatie is anoniem - het kan met niemand in verband gebracht worden en de gegevens worden vertrouwelijk behandeld.

Vervanging tonercontainer

Hoe vaak de tonercontainer vervangen moet worden

De levensduur van de tonercontainers hangt af van de hoeveelheid toner die nodig is om uw afdruktaken uit te voeren. Volgens ISO/IEC 19798 en de EcoPrint uitgezet kan de toner container als volgt afdrukken (A4/Briefpapier wordt verondersteld): ongeveer om de 20.000 pagina's (FS-4020DN), 15.000 pagina's (FS-3920DN/FS-6970DN), 12.000 pagina's (FS-2020D) te worden vervangen.

U kunt een statuspagina afdrukken om te controleren hoeveel toner zich nog in de tonercontainer bevindt. Het gedeelte Toner niveau op de statuspagina voor verbruiksartikelen toont een voortgangsbalk, die ongeveer aangeeft hoeveel toner er nog in de tonercontainer zit.

Starttonercontainer

De tonercontainer die verpakt zit bij de nieuwe printer moet het systeem vullen wanneer het voor de eerste keer gebruikt wordt. Daardoor kan slechts 50% van de starttonerkit gebruikt worden om af te drukken. De bij de printer bijgeleverde tonercontainer kan ongeveer de volgende aantallen afdrukken:

FS-2020D: 6.000 pagina's

FS-3920DN/FS-6970DN: 7.500 pagina's

FS-4020DN: 10.000 pagina's

Tonerpakketten

Wij raden u aan om voor de beste resultaten alleen originele Kyocera onderdelen en voorraad te gebruiken. Indien schade is ontstaan door gebruik van een andere toner dan een originele Kyocera Mita toner, dan valt deze schade buiten de garantie.

Een nieuw tonerpakket bevat de volgende onderdelen:

- Tonercontainer
- Plastic afvalzak voor de oude tonercontainer en de tonerafvalbak
- Tonerafvalbak
- Installatiehandleiding



Opmerking Haal de tonercontainer pas uit de doos als u klaar bent om de container in de printer te plaatsen.

Uitleg over berichten waarin u wordt verzocht de tonercontainer te vervangen

De printer geeft op twee verschillende momenten berichten weer tijdens het gebruik van toner. Dit bericht wordt automatisch afgewisseld met het andere printerbericht (zoals `Klaar`):

- Wanneer de toner bijna op is in de printer, toont de printer het bericht `Toner laag` als eerste waarschuwing. Merk op dat vervanging op dit moment niet altijd nodig is.
- Als u het bovenstaande bericht negeert en doorgaat met afdrucken, toont de printer vlak voordat de toner op is, het bericht `Vervang toner`. De tonercontainer dient onmiddellijk vervangen te worden. Nadat de tonercontainer is vervangen, verandert het bericht echter niet automatisch in `Klaar`. Als u weer met afdrucken wilt beginnen, drukt u op [GO], zodat de printer klaar is.

Vervang in beide gevallen de tonercontainer. Raadpleeg *De tonercontainer vervangen* op pagina 4-3.

De tonercontainer vervangen

In dit gedeelte wordt uitgelegd hoe u de tonercontainer vervangt. Wanneer u de tonercontainer vervangt, dient u altijd tegelijkertijd de tonerafvalbak te vervangen. Als deze bak vol is, kan de printer beschadigd raken of worden vervuild door tonerafval dat uit de bak kan lekken.



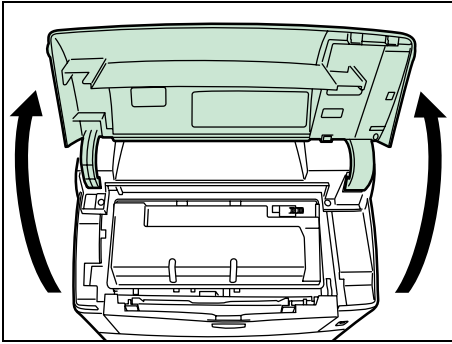
VOORZICHTIG De tonercontainer mag niet worden verbrand. De vonken kunnen brandwonden veroorzaken.

BELANGRIJK Verwijder tijdens het vervangen van de tonercontainer opslagmedia en computerbenodigdheden (zoals diskettes) uit de buurt van de tonercontainer. Zo wordt schade aan de media door de magnetische lading van de toner vermeden.

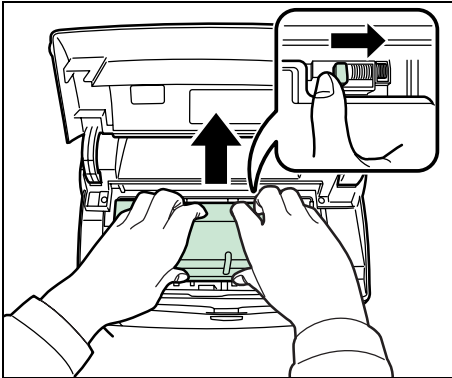
BELANGRIJK Kyocera Mita Corporation aanvaardt geen aansprakelijkheid voor schade of problemen die voortkomen uit het gebruik van andere tonercontainers dan de originele Kyocera tonercontainers. Het is ook aanbevolen om voor een optimale prestatie alleen Kyocera tonercontainers te gebruiken die speciaal bedoeld zijn voor gebruik in uw land of regio. Als een tonercontainer voor een ander land/regio wordt geïnstalleerd, zal de printer stoppen met afdrucken.



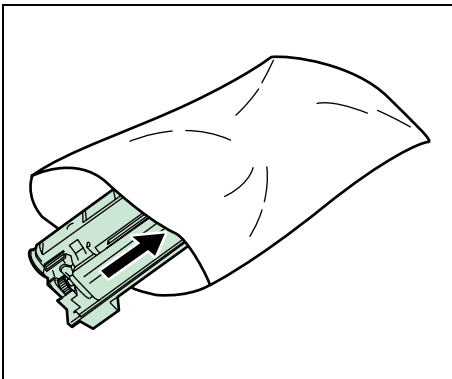
Opmerking U hoeft de printer niet uit te zetten voordat u met vervanging begint. Gegevens die zich al in het proces van de printer bevinden, worden verwijderd als u de printer uit zet.



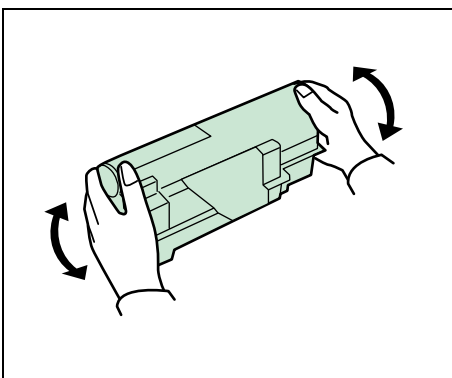
1 Open de bovenklep.



2 Duw de vergrendelinghendel naar rechts en trek de tonercontainer naar buiten.



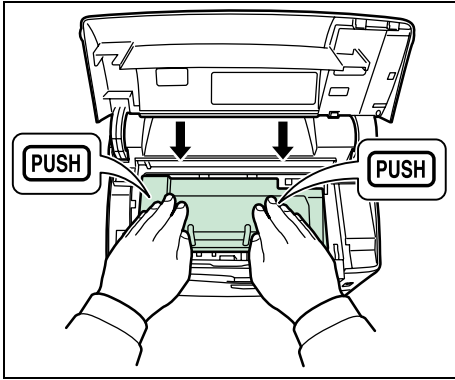
3 Plaats de oude tonercontainer in de plastic zak (bij het tonerpakket meegeleverd) en gooi de zak later weg volgens de plaatselijke regels of bepalingen voor het weggooien van afval.



4 Haal de nieuwe tonercontainer uit het tonerpakket.

5 Schud de nieuwe tonercontainer ten minste 10 keer (zie afbeelding) om de toner gelijkmatig in de container te verspreiden.

6 Verwijder het etiket van de tonercontainer.



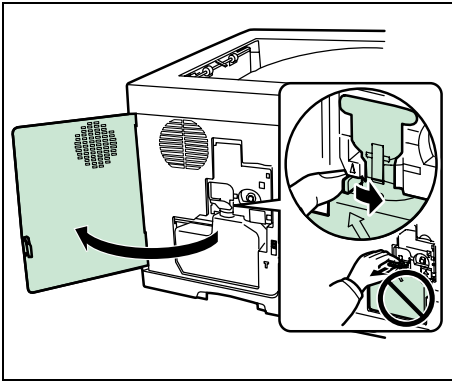
7 Plaats de nieuwe tonercontainer in de printer en duw op de bovenkant van de tonercontainer om de container stevig vast te zetten (zie afbeelding links).

8 Sluit de bovenklep.

Ga verder naar het volgende gedeelte.

De tonerafvalbak vervangen

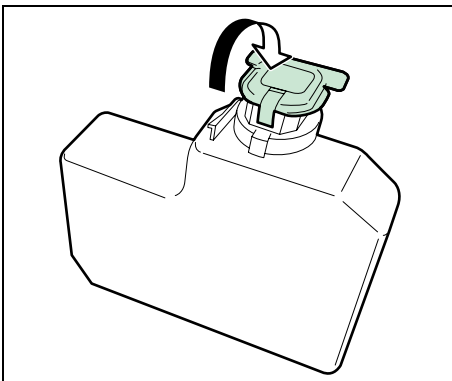
Wanneer u de tonercontainer vervangt, moet de gebruikte tonerafvalbak in de printer eveneens door een nieuwe afvalbak uit het nieuwe tonerpakket worden vervangen. Er zit een nieuwe tonerafvalbak in het tonerpakket. De printer werkt pas weer wanneer de tonerafvalbak is vervangen.



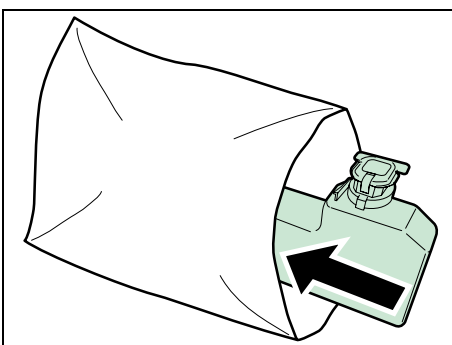
- 1 Open de linkerklep. Houd de tonerafvalbak vast en druk op de vergrendelinghendel. Verwijder de tonerafvalbak nu voorzichtig.



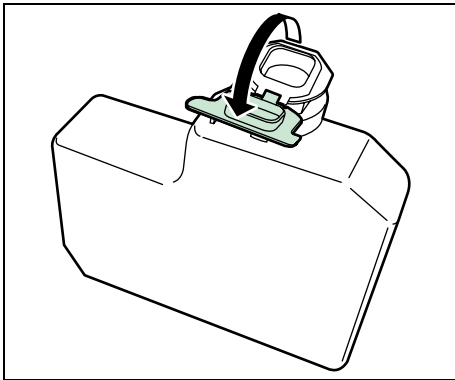
Opmerking Verwijder de tonerafvalbak zo voorzichtig mogelijk, zodat de toner niet wordt verspreid. Zorg ervoor dat opening van de tonerafvalbak omhoog wijst.



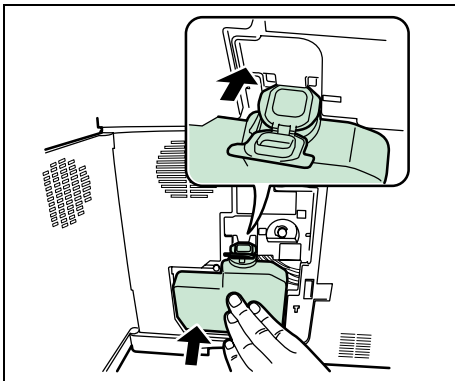
- 2 Sluit, nadat u de bak uit de printer heeft gehaald, de dop van de oude tonerafvalbak.



- 3 Plaats, om te voorkomen dat er toner wordt gemorst, de oude tonerafvalbak in de plastic zak (bij het tonerpakket inbegrepen) en gooi de zak later weg volgens de plaatselijke regels of bepalingen voor het weggooien van afval.



4 Open de dop van de nieuwe tonerafvalbak.



5 Plaats de nieuwe tonerafvalbak zoals links aangegeven. Als de bak goed geplaatst wordt, klikt hij vast.

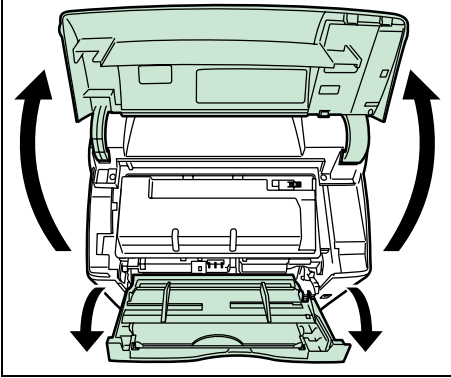
6 Zorg ervoor dat de tonerafvalbak goed is geplaatst en sluit de linkerklep.

Nadat de tonercontainers en de tonerafvalbak zijn vervangen, dient u de interne onderdelen te reinigen. Raadpleeg voor instructies *De printer reinigen* op pagina 4-8.

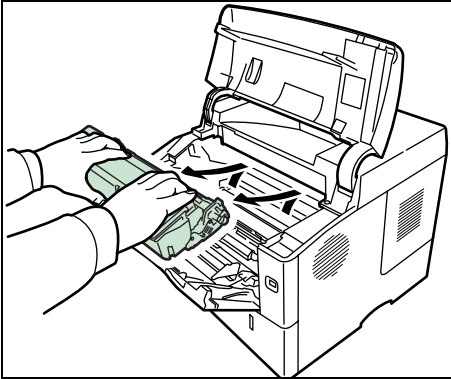
De printer reinigen

Om problemen met de afdrukkwaliteit te voorkomen, moet telkens wanneer de tonercontainer wordt vervangen, de binnenkant van de printer worden gereinigd.

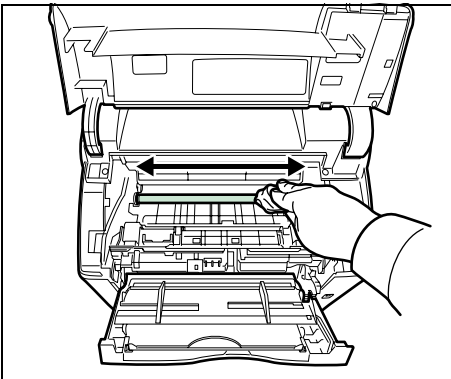
1 Open de bovenklep en de MP-lade.



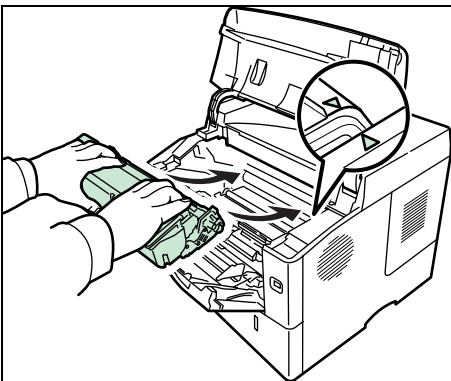
2 Til de ontwikkelaar samen met de tonercontainer uit de printer.



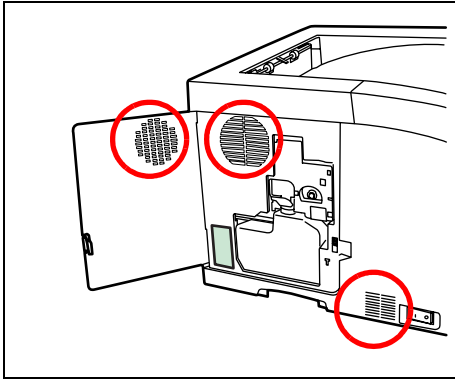
3 Gebruik een pluisvrije doek om stof en vuil van de registratierol (metaal) te verwijderen.



4 Plaats de ontwikkelaar samen met de tonercontainer terug in het apparaat.

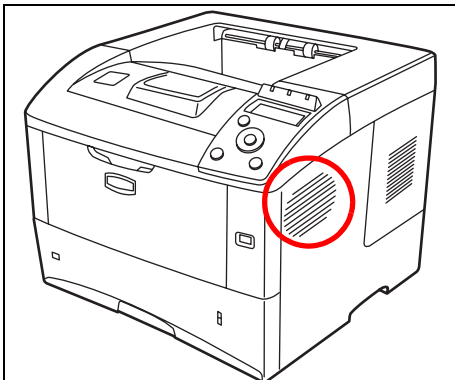


5 Sluit de bovenklep en de MP-lade.



6 Open de linkerklep. Gebruik een pluisvrije doek om stof en vuil van de ventilatieopeningen te verwijderen.

7 Sluit de linkerklep.



8 Gebruik een pluisvrije doek om stof en vuil uit de ventilatieopening aan de rechterkant van het apparaat te verwijderen.

Langdurig buiten gebruik en de printer verplaatsen

Langdurig buiten gebruik

Als u de printer voor langere tijd niet gebruikt, verwijdert u het netsnoer uit het stopcontact.

Wij raden u aan contact met uw dealer op te nemen over de aanvullende stappen die u moet ondernemen om mogelijke schade te voorkomen, die kan optreden wanneer de printer de volgende keer gebruikt wordt.

De printer verplaatsen

Wanneer u de printer verplaatst:

- Zorgvuldig verplaatsen.
- De printer zo horizontaal mogelijk houden om te voorkomen dat er toner in de printer terecht komt.
- Zorg ervoor dat u een servicetechnicus om advies vraagt voordat u de printer over een lange afstand gaat vervoeren.



WAARSCHUWING Als u de printer wilt verzenden, verwijdert u de ontwikkelaar, verpakt u deze in een plastic zak, en verzendt u deze apart van de printer.

5 Problemen oplossen

In dit hoofdstuk wordt uitgelegd hoe u printerproblemen kunt oplossen, berichten kunt begrijpen en papierstoringen kunt oplossen.

Algemene richtlijnen	5-2
Problemen met de afdrukkwaliteit	5-3
Foutberichten	5-5
Ready, Data en Attention lampjes	5-11
Papierstoringen oplossen	5-12

Als een probleem niet kan worden opgelost, neemt u contact op met uw servicetechnicus.

Algemene richtlijnen

In de onderstaande tabel staan basisoplossingen voor problemen die bij de printer kunnen optreden. Voordat u service voor reparatie belt, raden wij u aan eerst deze tabel te raadplegen om problemen op te lossen.

Symptoom	Controle-items	Correctie
Afdrukkwaliteit is slecht.	–	Raadpleeg <i>Problemen met de afdrukkwaliteit</i> op pagina 5-3.
Tekst mist op de Windows testpagina.	–	Dit is een specifiek probleem voor Windows OS. Het is geen printerprobleem. Het heeft geen invloed op de printkwaliteit.
Papier is vastgelopen.	–	Raadpleeg <i>Papierstoringen oplossen</i> op pagina 5-12.
Er branden geen lampjes op het bedieningspaneel, zelfs niet wanneer de printer aan staat, en de ventilator maakt geen geluid.	Controleer of het netsnoer goed op het stopcontact is aangesloten.	Beide uiteinden van het netsnoer goed vastmaken. Probeer het netsnoer te vervangen. Raadpleeg de <i>Installatiehandleiding</i> voor meer informatie.
	Controleer of de aan/uit-schakelaar in de stand Aan () staat.	Raadpleeg de <i>Installatiehandleiding</i> voor meer informatie.
De printer drukt een statuspagina af maar de gegevens van de computer worden niet afgedrukt.	Controleer de programmabestanden en de applicatiesoftware.	Probeer een ander bestand af te drukken of een andere afdrukopdracht te gebruiken. Als het probleem zich bij een bepaald bestand of een specifieke applicatie voordoet, controleert u de printerinstellingen van de applicatie.
	Controleer de interfacekabel.	Maak beide uiteinden van de interfacekabel goed vast. Probeer de printerkabel te vervangen. Raadpleeg de <i>Installatiehandleiding</i> voor meer informatie.
Er komt damp uit de achterkant van de printer.	Controleer of de temperatuur in de omgeving van de printer laag is of het papier dat is gebruikt vochtig is geworden.	Afhankelijk van de bedrijfsomgeving van de printer en de conditie van het papier kan vocht in het bedrukte papier verdampen door de hitte die ontstaat tijdens het printen, waardoor er damp uit de printer komt. In dit geval kunt u zonder problemen doorgaan met afdrukken. Om dit te verhelpen verhoogt u de temperatuur in de ruimte en gebruikt u papier dat is bewaard op een droge plaats.

Tips

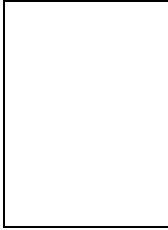
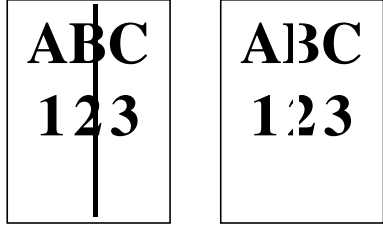
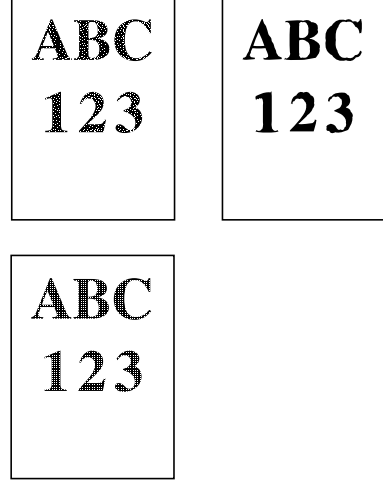
Printerproblemen kunnen gemakkelijk worden opgelost met behulp van onderstaande tips. Wanneer u een probleem tegenkomt dat met de bovenstaande richtlijnen niet kan worden opgelost, probeert u het volgende:

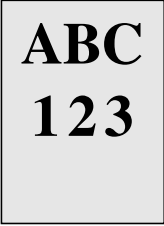
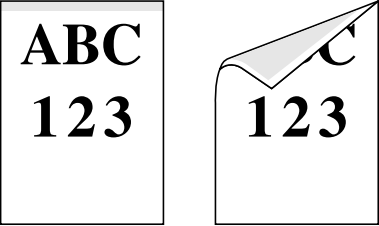
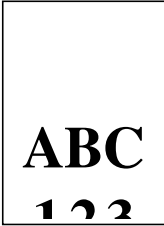
- Zet de printer uit en wacht enkele seconden. Zet de printer dan weer aan.
- Start de computer, die u gebruikt om afdruktaken naar de printer te sturen, opnieuw op.
- Zorg ervoor dat u over de nieuwste versie van de printerdriver beschikt en deze gebruikt. De nieuwste versies van printerdrivers en hulpprogramma's zijn beschikbaar op: <http://www.kyoceramita.com/download/>.
- Zorg ervoor dat de afdrukprocedures in de applicatiesoftware correct worden opgevolgd. Raadpleeg de documentatie die met de applicatiesoftware is meegeleverd.

Problemen met de afdrukkwaliteit

In de tabellen en diagrammen van de volgende gedeelten worden problemen met de afdrukkwaliteit gedefinieerd en vindt u de correcties die u kunt uitvoeren om de problemen op te lossen. Bij sommige oplossingen dient u onderdelen van de printer te reinigen of te vervangen.

Als het probleem niet wordt opgelost door de voorgestelde correctie, belt u service.

Afdrukte resultaten	Correctie
<p>Geheel lege afdruk</p> 	<p>Controleer de tonercontainer. Open de bovenklep en controleer of de tonercontainer goed in de printer is geplaatst. Voor meer informatie over het installeren van de tonercontainer, zie <i>Vervanging tonercontainer</i> op pagina 4-2.</p> <hr/> <p>Controleer of de applicatiesoftware goed werkt.</p>
<p>Zwarte of witte verticale strepen</p> 	<p>Controleer de toner op het bedieningspaneel. Als het bericht <code>Toner laag</code> wordt weergegeven, dient u een nieuw tonerpakket te installeren. Voor het vervangen van de tonercontainer, zie <i>Vervanging tonercontainer</i> op pagina 4-2.</p>
<p>Vage of onduidelijke afdrukken</p> 	<p>Controleer de EcoPrint-instellingen. Als de instelling op <code>Aan</code> staat, schakelt u deze uit op het bedieningspaneel.</p> <hr/> <p>Zorg ervoor dat de instelling voor de papiersoort overeenkomt met het gebruikte papier.</p> <hr/> <p>Controleer de toner op het bedieningspaneel. Als het bericht <code>Toner laag</code> wordt weergegeven, dient u een nieuw tonerpakket te installeren. Voor het vervangen van de tonercontainer, zie <i>Vervanging tonercontainer</i> op pagina 4-2.</p>

Afdrukte resultaten	Correctie
<p>Grijze achtergrond</p> 	<p>Controleer het bedieningspaneel.</p> <p>Als het bericht <i>Toner laag</i> wordt weergegeven en het [Attention]-lampje knippert, dient u een nieuw tonerpakket te installeren. Raadpleeg <i>Vervanging tonercontainer</i> op pagina 4-2 voor het vervangen van de toner.</p> <hr/> <p>Controleer de printdichtheid.</p> <p>Open het menu voor de printdichtheid via het bedieningspaneel en kies een lagere dichtheid.</p>
<p>Vuil op de bovenrand of achterkant van het papier</p> 	<p>Reinig de onderdelen in de papierpaden, zoals de papercassette e.d.</p>
<p>Afdrukken onvolledig of op verkeerde plaats</p> 	<p>Controleer of de applicatiesoftware goed werkt.</p> <hr/> <p>Raadpleeg <i>Tips</i> op pagina 5-2.</p>

Foutberichten

In de volgende tabel staan fouten en onderhoudsberichten die u zelf kunt corrigeren en uitvoeren.

Indien `Call service of Fout.Uit` en `aan` wordt weergegeven, zet u de printer uit en weer aan om te kijken of de printer zich hersteld heeft. Als het bericht nog steeds wordt weergegeven, schakelt u de printer uit, ontkoppelt u het netsnoer en neemt u contact op met uw servicevertegenwoordiger of erkend servicebedrijf.

Bij sommige fouten hoort u het alarm. Druk op **[Cancel]** om het alarm uit te zetten.

Bericht	Correctie
Accountfout ## Druk op GO	Dit bericht wordt weergegeven wanneer de taakaccounting-functie is ingeschakeld en een poging om taakaccount instellingen te specificeren of om een account te registreren of verwijderen, mislukt. Druk op [GO] om de printer naar de status online te doen terugkeren.
Plts pap MP-lade	Het papier in de weergegeven papierbron is op. Plaats papier in de weergegeven bron (papiercassettes, MP-lade, of optionele papierinvoer). Dit bericht wordt om en om weergegeven met berichten die de printerstatus aangeven, zoals <code>Klaar</code> , <code>Een ogenblik</code> , en <code>Bezig m verwerkn</code> .
Call service F###:	F### staat voor een controller-fout (#=0, 1, 2, ...). Bel service. De printer werkt niet wanneer dit bericht wordt weergegeven.
Bel service ####:0123456	#### staat voor een mechanische fout (#=0, 1, 2, ...). Bel service. De printer werkt niet wanneer dit bericht wordt weergegeven. Het totale aantal afgedrukte pagina's wordt tevens aangegeven. Bijvoorbeeld 0123456.
Data wrdn gewist	Wordt weergegeven wanneer gegevens worden geannuleerd.
Papiercassette is leeg	De overeenkomende papiercassette is niet geplaatst. Plaats de cassette. Het cassettenummer kan 1 (bovenste) tot 4 (onderste) zijn.
Wijzig positie envelopschakel.	Wordt weergegeven wanneer de papiersoort niet overeenkomt met de instelling van de envelopschakelaar. (enkel de FS-2020D/3920DN/4020DN)
Controleer cassette #	Dit bericht wordt weergegeven wanneer er zich een papierhijsfout heeft voorgedaan in de cassette van de papierbron. Trek de cassette voor de weergegeven papierbron naar buiten (de papiercassettes of optionele papierinvoeren) en controleer of het papier correct wordt geladen. (enkel de FS-2020D/3920DN/4020DN) Het bericht <code>Call service</code> wordt weergegeven wanneer deze fout zich herhaaldelijk voordoet.
Controleer tonerafvalbak	Dit bericht waarschuwt in de volgende twee gevallen. Installeer de nieuwe tonerafvalbak. De tonerafvalbak is niet geplaatst. De tonerafvalbak is vol.
Reinig printer Druk op GO	Reinig de binnenkant van de printer. Raadpleeg <i>De printer reinigen</i> op pagina 4-8. Dit bericht wordt weergegeven wanneer u de tonercontainer heeft vervangen nadat het bericht <code>Vervang toner</code> <code>Reinig printer</code> is weergegeven. Druk nadat u de binnenkant van de printer heeft gereinigd op [GO] . De printer is nu klaar om af te drukken.

Bericht	Correctie
Sluit linkerklap	De linkerklap van de printer staat open. Sluit de linkerklap van de printer.
Sluit achtereenheid	De achtereenheid van de printer staat open. Sluit de achtereenheid van de printer.
Sluit bovenklap	De bovenklap van de printer staat open. Sluit de bovenklap van de printer.
USB in gebruik	Dit bericht wordt weergegeven wanneer Appar. verwijd. werd geselecteerd terwijl een USB-geheugen in gebruik was. Het vorige scherm wordt opnieuw 1 of 2 seconden weergegeven.
Duplex uit Druk op GO	U heeft geprobeerd af te drukken met een papierformaat en papiersoort dat niet kan worden gebruikt voor dubbelzijdig afdrukken. Druk op [GO] om alleen op één kant van het papier af te drukken. U kunt een ander papierformaat en soort kiezen door te drukken op Δ of ∇ . U kunt ook drukken op [MENU] en de lade-instelling in het menu veranderen, waardoor de fout automatisch wordt geannuleerd en het afdrukken verder gaat. Tegelijkertijd gaat het [ATTENTION] lampje aan en het [READY] lampje begint te knipperen.
Voer account in	Er dient een accountcode te worden ingevoerd. Dit bericht wordt weergegeven indien u probeert af te drukken vanaf het bedieningspaneel (bv. een statuspagina afdrukken of de Taken bijhouden-functie gebruiken) wanneer de taakaccounting functie is ingeschakeld. Raadpleeg voor meer informatie het gedeelte <i>Taakaccounting (Taakaccounting selectie/instelling)</i> in de <i>Advanced Operation Guide</i> .
Envelopmodus	Wordt weergegeven wanneer de envelopschakelaars zijn ingesteld op envelopmodus. (enkel de FS-2020D/3920DN/4020DN)
Fout.Uit en aan F###	Schakel het apparaat uit en weer in. Als het bericht nog steeds wordt weergegeven, schakelt u het apparaat uit en neemt u contact op met uw servicevertegenwoordiger of erkend servicebedrijf.
Error.Power off. F000	De printercontroller en het bedieningspaneel kunnen geen data uitwisselen. Schakel de printer uit en ontkoppel hem van de netvoeding. Neem hierna contact op met uw servicevertegenwoordiger of erkend servicebedrijf. Zie de achterste pagina van deze handleiding voor de relevante telefoonnummers.
Max. uitv.limiet Druk op GO	Dit bericht wordt weergegeven wanneer de taakaccounting-functie is ingeschakeld en er een poging is ondernomen om de afdruklimiet die voor elke account is ingesteld, te overschrijden. Druk op [GO] om de printer naar de status online te doen terugkeren. Raadpleeg voor meer informatie het gedeelte <i>Taakaccounting (Taakaccounting selectie/instelling)</i> in de <i>Advanced Operation Guide</i> .
Formatteringfout Harde schijf	De in de printer geïnstalleerde harde schijf is niet geformatteerd en kan daarom niet worden gebruikt om te lezen of schrijven.
Formatteringfout Geheugenkaart	De in de printer geplaatste CF-kaart is niet geformatteerd en kan daarom niet worden gebruikt om te lezen of schrijven. Volg om een CF-kaart te formatteren de procedure in het gedeelte <i>Geheugenkaart (Gebruik van de geheugenkaart)</i> in de <i>Advanced Operation Guide</i> .
H. schijffout ## Druk op GO	Er is een fout op de harde schijf opgetreden. Bekijk de foutcode die op de plaats van ## staat en raadpleeg <i>Foutcodes met betrekking tot opslag</i> op pagina 5-10. Wilt u de fout op de harde schijf negeren, dan drukt u op [GO] .

Bericht	Correctie
ID-fout	De gebruikers-ID die voor een privé-taak is ingevoerd is niet correct. Controleer de gebruikers-ID die u op de printerdriver heeft ingevoerd. Raadpleeg voor meer informatie het gedeelte <i>Taak box</i> in de <i>Advanced Operation Guide</i> .
Illegaal account Druk op GO	Dit bericht wordt weergegeven wanneer de taakaccounting-functie is ingeschakeld en er geen account is ingesteld voor een verzonden afdruktaak of de gespecificeerde account niet is geregistreerd (de verkeerde account is ingesteld). Druk op [GO] om de printer naar de status online te doen terugkeren. Raadpleeg voor meer informatie het gedeelte <i>Taakaccounting (Taakaccounting selectie/instelling)</i> in de <i>Advanced Operation Guide</i> .
Installeer MK	Vervang het onderhoudspakket dat op het berichtenscherf wordt weergegeven. Het onderhoudspakket dient om de 300.000 afgedrukte pagina's te worden vervangen. U heeft hier een professionele servicetechnicus voor nodig. Neem contact op met uw servicetechnicus.
Job niet bewaard Druk op GO	Afdrukken m.b.v. de Taakbox-functie is mislukt omdat er onvoldoende ruimte was op de harde schijf of de RAM-schijf, of omdat de RAM-schijf uitgeschakeld was bij het demonteren van de harde schijf. Druk op [GO] om een foutenoverzicht af te drukken en de printer naar de status online te doen terugkeren.
Beperkte rechten Druk op GO	Dit bericht wordt weergegeven wanneer een poging tot afdrukken werd ondernomen, ondanks het feit dat de Taakaccount functie geactiveerd was met Beperking ingesteld als de taaklimiet voor elke taakaccount. Druk op [GO] om de printer naar de status online te doen terugkeren. Raadpleeg voor meer informatie het gedeelte <i>Taakaccounting (Taakaccounting selectie/instelling)</i> in de <i>Advanced Operation Guide</i> .
KPDL-fout ## Druk op GO	Het huidige afdrukproces kan niet worden voortgezet, als gevolg van een KPDL-fout die in de categorie ## valt. Geef voor het afdrukken van een foutenoverzicht in het systeemmenu >>Foutenrapport weer en selecteer Aan. Druk op [GO] om verder te gaan met afdrukken. U kunt ophouden met afdrukken door op [Cancel] te drukken. Als Auto fout wissen Aan staat, wordt het afdrukken na een vooraf ingestelde periode automatisch hervat.
Vul pap.cass. # (A4) / (NORMAAL)	De papercassette met het papierformaat en de papiersoort van de afdruktaak is leeg. Plaats papier in de papercassette met het nummer dat op de plaats van het hekje # wordt aangegeven. Het afdrukken wordt automatisch hervat. Als u wilt afdrukken vanaf een andere papierbron, druk dan op Δ of ∇ om die andere papierbron te selecteren en druk vervolgens op [OK] . Als u op [MENU] drukt, dan verschijnt <i>Papierinst.></i> . Druk op Δ of ∇ om het papierformaat en de papiersoort te selecteren. Druk op [OK] om <i>Gebrk alternat? weer</i> te geven en druk vervolgens op [OK] . Het afdrukken start waarbij de opgegeven papierbron gebruikt wordt.
Vul MF Lade (A4) / (NORMAAL)	Er is geen papercassette in de printer geïnstalleerd die overeenkomt met het papierformaat en de papiersoort van de afdruktaak. Plaats papier in de multifunctionele lade. Het afdrukken wordt automatisch hervat. (Wij wijzen u erop dat als u papier invoert van een formaat dat niet overeenkomt met het huidige papierformaat van de multifunctionele lade, het papier kan vastlopen.) Als u wilt afdrukken vanaf een andere papierbron, druk dan op Δ of ∇ om die andere papierbron te selecteren en druk vervolgens op [OK] . Als u op [MENU] drukt, dan verschijnt <i>Papierinst.></i> . Druk op Δ of ∇ om het papierformaat en de papiersoort te selecteren. Druk op [OK] om <i>Gebrk alternat? weer</i> te geven en druk vervolgens op [OK] . Het afdrukken start waarbij de opgegeven papierbron gebruikt wordt.

Bericht	Correctie
Lage beveiliging	Dit bericht wordt weergegeven wanneer Laag werd geselecteerd in Beveiligingsniveau.
Pas enveloppe aan schakelaars	Wordt weergegeven wanneer een van de envelopschakelaars niet is ingedrukt. Druk beide schakelaars in om op de envelop af te drukken. (enkel de FS-2020D/3920DN/4020DN)
Geheugen vol Druk op GO	De totale hoeveelheid door de printer ontvangen gegevens overschrijdt het interne geheugen van de printer. Probeer geheugen toe te voegen. Druk op [GO] om verder te gaan met afdrucken. U kunt ophouden met afdrucken door op [Cancel] te drukken. Als Auto fout wissen Aan staat, wordt het afdrucken na een vooraf ingestelde periode automatisch hervat.
Geh.kaart Fout## Druk op GO	Er is een fout op de CompactFlash-kaart opgetreden. Bekijk de foutcode die op de plaats van ## staat en raadpleeg <i>CompactFlash-kaart (CF-kaart) en USB-flashgeheugen fouten</i> op pagina 5-10. Wilt u de fout op de CompactFlash-kaart negeren, dan drukt u op [GO] .
Geh.kaart Fout20	De CompactFlash-kaart is per ongeluk in en uit de slot van de printer gedaan terwijl de printer aanstond. Schakel de printer uit, schuif de CompactFlash-kaart in en zet de printer weer aan.
Ontwikkeleenheid ontbreekt	De ontwikkelleenheid is niet geïnstalleerd of niet correct geplaatst. Plaats de ontwikkelleenheid goed in het apparaat.
Slechts 1 ex. Druk op GO	Er kan maar één exemplaar worden afgedrukt, omdat de RAM-schijf is uitgeschakeld of omdat de harde schijf niet is geïnstalleerd. Er is geen ruimte op de RAM-schijf of harde schijf beschikbaar. Verwijder onnodige bestanden. Druk op [GO] om een foutenoverzicht af te drukken.
Originele toner geïnstall.	Wordt weergegeven wanneer de geïnstalleerde toner een origineel Kyocera product is.
Papierstoring #####	Er heeft zich een papierstoring voorgedaan. De locatie van de papierstoring wordt aangegeven op de plaats van de #'s. Raadpleeg <i>Papierstoringen oplossen</i> op pagina 5-12 voor meer informatie.
Papier wordt geplaatst	De geselecteerde cassette wordt voorbereid. (enkel de FS-2020D/3920DN/4020DN)
Fout papierpad	Als een of meer optionele invoereenheden is geïnstalleerd verschijnt dit bericht als een van de papier invoereenheden of de printercassette boven de geselecteerde niet goed gesloten is.
Data te complex Druk op GO	De afdruktaak die naar de printer is overgebracht, is te ingewikkeld om op een pagina te kunnen afdrucken. Druk op [GO] om verder te gaan met afdrucken. (Het kan zijn dat er op sommige plaatsen automatisch een pagina-einde wordt ingevoegd.) U kunt ophouden met afdrucken door op [Cancel] te drukken. Als Auto fout wissen Aan staat, wordt het afdrucken na een vooraf ingestelde periode automatisch hervat.
RAM-schijffout## Druk op GO	Er is een fout op de RAM-schijf opgetreden. Bekijk de foutcode die op de plaats van ## staat en raadpleeg <i>Foutcodes met betrekking tot opslag</i> op pagina 5-10. Wilt u de fout op de RAM-schijf negeren, dan drukt u op [GO] .

Bericht	Correctie
Vervang toner Reinig printer	Toner is op in de tonercontainer. Vervang de tonercontainer met behulp van een nieuwe tonerset. De printer werkt niet wanneer dit bericht wordt weergegeven.
Verkeerd formaat (Pap.cass.) / (A4)	Het papierformaat van het papier waarop de printtaak is afgedrukt is korter dan het bedoelde papierformaat (het papierformaat dat gespecificeerd is in de papierbron of door de gebruiker). Deze foutmelding wordt gegeven om de papertoevoer opnieuw te starten door het gevraagde papierformaat in de gevraagde papierbron te stoppen of door de papierformaatinstellingen voor de papertoevoer overeen te laten komen aan het papierformaat waarop geprint is. U kunt ook tijdelijk de papertoevoer opnieuw starten door op [GO] te drukken. Tegelijkertijd gaat het [ATTENTION] lampje aan en het [READY] lampje begint te knipperen.
Toner laag	Vervang de tonercontainer met behulp van een nieuwe tonerset.
Boven opvangbak vol met papier	De bovenste opvangbak zit vol. U moet alle afgedrukte pagina's uit de bovenste bak verwijderen. Wanneer de printer merkt dat de bovenste bak weer leeg is, gaat de printer verder met het afleveren van afdrucken in de bovenste opvangbak.
Onbekende toner geinstall.	Wordt weergegeven wanneer de geïnstalleerde toner geen origineel Kyocera product is. Installeer een originele Kyocera toner. Installeer de tonercontainer.
OnbekendeToner PC	Dit bericht verschijnt als de regionale specificatie van de geïnstalleerde tonercontainer niet overeenkomt met die van de printer.
Fout USB-gehg.## Druk op GO	Er is een fout opgetreden in het USB-geheugenapparaat. Bekijk de foutcode die op de plaats van ## staat en raadpleeg <i>CompactFlash-kaart (CF-kaart) en USB-flashgeheugen fouten</i> op pagina 5-10. Druk op [GO] om de printer naar de status online te doen terugkeren.
Gebrk alternat? Pap.cass. 1	Wanneer de cassette geen papier bevat dat overeenkomt met de afdrukgegevens (papierformaat en -soort), kunt u aan de hand van dit bericht een andere cassette specificeren om te gebruiken. Een papierbron nummer wordt enkel weergegeven wanneer een optionele papier invoereenheid is geïnstalleerd. Als u wilt afdrucken vanaf een andere papierbron, druk dan op Δ of ∇ om die andere papierbron te selecteren en druk vervolgens op [OK] .
Verkeerde acc.	Wordt weergegeven wanneer wordt geprobeerd een account te registreren in het Taakaccounting-menu door een accountcode in te voeren die al bestaat. Raadpleeg voor meer informatie het gedeelte <i>Taakaccounting (Taakaccounting selectie/instelling)</i> in de <i>Advanced Operation Guide</i> .
Verkeerde ID	De ID of het wachtwoord ingevoerd voor de Beveiliging, Beheerder of Taakaccounting-functie is niet correct. Controleer de ID of het wachtwoord. Raadpleeg voor meer informatie het <i>Beveiliging</i> hoofdstuk, <i>Beheer (Beheerderinstellingen)</i> hoofdstuk en <i>Taakaccounting (Taakaccounting selectie/instelling)</i> hoofdstuk in de <i>Advanced Operation Guide</i> .
Verkeerd wachtwoord	Het wachtwoord komt niet overeen met het ingestelde wachtwoord. Voer het correcte wachtwoord in. Raadpleeg voor meer informatie het <i>Beveiliging</i> hoofdstuk, <i>Beheer (Beheerderinstellingen)</i> hoofdstuk en <i>Taakaccounting (Taakaccounting selectie/instelling)</i> hoofdstuk in de <i>Advanced Operation Guide</i> .

Foutcodes met betrekking tot opslag

Fouten met betrekking tot de harde schijf

Code	Betekenis
01	Formatteringfout harde schijf. Als deze fout zich blijft voordoen, ook als de stroom uit- en weer aangezet is, dient u de harde schijf opnieuw te formatteren.
02	Het schijfsysteem is niet geïnstalleerd. Controleer nogmaals de vereisten voor het gebruik van het systeem en de apparaten.
04	Er is geen harde schijf-ruimte beschikbaar. Verwijder onnodige bestanden e.d. om ruimte vrij te maken.
05	Het opgegeven bestand bestaat niet op de harde schijf.
06	Er is geen geheugen op het harde schijf-systeem beschikbaar. Vergroot het beschikbare geheugen.
10	Formatteren is niet mogelijk, omdat er hostgegevens op de harde schijf worden gespoeld. Wacht met formatteren tot de harde schijf klaar is.
97	Het aantal permanente codetaken dat kan worden opgeslagen, heeft de limietwaarde bereikt. Er kan niet meer worden opgeslagen. Verwijder onnodige taken e.d. of verhoog de limiet.
98	Er is een onleesbare pagina in een taak gevonden (de taak is beschadigd).
99	Er bestaat geen afdruktaak voor de opgegeven ID op de harde schijf.

CompactFlash-kaart (CF-kaart) en USB-flashgeheugen fouten




Code	Betekenis
01	De printer ondersteunt de geplaatste CF-kaart niet, of de CF-kaart is defect. Plaats de correcte CF-kaart. Raadpleeg voor meer informatie het gedeelte <i>Geheugenkaart (Gebruik van de geheugenkaart)</i> in de <i>Advanced Operation Guide</i> .
02	De CF-kaart is niet geïnstalleerd. Controleer nogmaals de vereisten voor het gebruik van het systeem en de CF-kaart.
03	De CF-kaart is beveiligd tegen schrijven. Controleer de status van de CF-kaart.
04	Er is onvoldoende ruimte op de CF-kaart. Verwijder onnodige bestanden of gebruik een nieuwe CF-kaart.
05	Het opgegeven bestand staat niet op de CF-kaart of het USB-flashgeheugen.
06	Er is onvoldoende printergeheugen om het CF-kaartsysteem te ondersteunen. Breid het printergeheugen uit.
50	Het USB-flashgeheugen is beveiligd tegen schrijven, of ongeldig. Controleer de status van het USB-flashgeheugen.

Fouten met betrekking tot de RAM-schijf

Code	Betekenis
01	Formatteringfout. Zet de stroom uit en weer aan.
02	RAM DISK-modus staat Uit . Zet de RAM DISK-modus Aan via het bedieningspaneel.
04	Geen schijfruimte. Verwijder onnodige bestanden.
05	Opgegeven bestand staat niet op schijf.
06	Onvoldoende printergeheugen om het RAM DISK-systeem te ondersteunen. Breid het printergeheugen uit.

Ready, Data en Attention lampjes

De volgende lampjes gaan branden tijdens normaal gebruik en als de printer aandacht nodig heeft. Afhankelijk van de status van de verlichting heeft elk lampje de volgende betekenis:

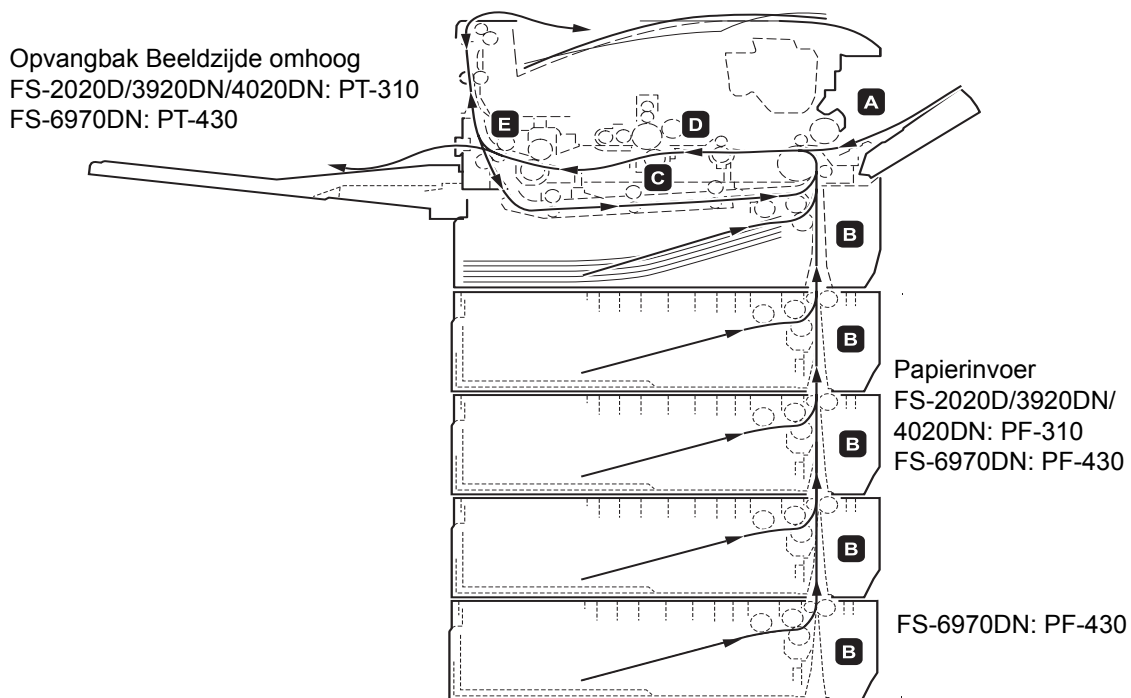
Lampje	Beschrijving
 Ready	<p>Knipperend. Geeft een fout aan die u kunt oplossen. Zie <i>Foutberichten</i> op pagina 5-5.</p> <p>Aan. Geeft aan dat de printer klaar is. De printer drukt de ontvangen gegevens af.</p> <p>Uit. [Cancel] werd ingedrukt terwijl Ready weergegeven werd. Er kunnen gegevens ontvangen worden, maar deze worden niet afgedrukt. Om verder te gaan met afdrucken, drukt u nogmaals op [Cancel]. Het afdrucken wordt geannuleerd.</p> <p>Kan ook aangeven dat er een papierstoring is, dat de toner op is, dat de klep openstaat enzovoort.</p>
 Data	<p>Knipperend. Geeft aan dat er gegevens worden ontvangen.</p> <p>Aan. Geeft aan dat ontvangen gegevens worden verwerkt voordat het afdrucken begint, of dat ontvangen gegevens worden geschreven naar of gelezen van een CompactFlash-kaart, harde schijf, RAM-schijf of USB-flashgeheugen.</p>
 Attention	<p>Knipperend. Geeft aan dat de printer klaar is om af te drukken wanneer. Een ogenblik weergegeven wordt. Geeft ook aan dat de bijbehorende papercassette niet geplaatst is.</p> <p>Geeft aan dat de printer onderhoud nodig heeft zoals toevoegen van papier, reinigen van de printer, vervangen van de onderhoudskit, voorbereiden van de tonercontainer, formatteren van de harddisk en CompactFlash-kaart.</p> <p>Aan. Geeft aan dat er een papierstoring is, dat de toner op is, dat de klep openstaat enzovoort. Als in het bericht Druk op [GO] staat, druk dan op [GO] om verder te gaan met afdrucken.</p> <p>De ID of het wachtwoord voor de beveiligings-, beheerder- of taakaccounting-functie is niet correct. Controleer de ID of het wachtwoord en voer de juiste ID of het juiste wachtwoord in.</p>

Papierstoringen oplossen

Als papier in het papiertransportsysteem is vastgelopen, of als er helemaal geen papier is doorgevoerd, verschijnt het bericht **Papierstoring** met de locatie van de papierstoring (het onderdeel waarin de papierstoring zich heeft voorgedaan). Status Monitor of COMMAND CENTER kunnen de plek van de papierstoring lokaliseren (het onderdeel waar de storing is opgetreden). Verwijder het vastgelopen papier. Wanneer u het vastgelopen papier heeft verwijderd, begint de printer weer met afdrucken.

Mogelijke locaties van papierstoringen

Onderstaande figuur laat de papierpaden van de printer zien, inclusief de optionele papierinvoer. De locaties waar de papierstoringen zich kunnen voordoen, worden hier tevens weergegeven, waarbij elke locatie in de onderstaande tabel wordt uitgelegd. Papierstoringen kunnen zich in meer dan één onderdeel langs de papierpaden voordoen.



Papierstorings-bericht	Locatie papierstoring	Beschrijving	Pagina
<div style="border: 1px solid black; padding: 2px; margin-bottom: 2px;">Papierstoring MF-lade</div> <div style="border: 1px solid black; padding: 2px; margin-bottom: 2px;">Papierstoring EF</div> <div style="border: 1px solid black; padding: 2px;">Papierstoring Bulkinvoer</div>	A	Papier is vastgelopen in de MF-lade. Afhankelijk van de geïnstalleerde opties, kunnen nog andere foutmeldingen voor de envelopinvoer of de bulkpapierinvoer verschijnen (enkel bij de FS-3920DN en de FS-4020DN).	<p><i>pagina 5-15</i></p> <p><i>pagina 5-19</i></p> <p><i>pagina 5-19</i></p>
<div style="border: 1px solid black; padding: 2px;">Papierstoring Pap.cass. 1 (tot en met 4)</div>	B	Het papier is in de papercassette vastgelopen. Het cassettenummer kan 1 (bovenste) tot en met 5 (onderste) zijn [FS-2020D: 1 en 2].	<i>pagina 5-16</i>
<div style="border: 1px solid black; padding: 2px;">Papierstoring Duplexeenheid</div>	C	Het papier is in het duplexgedeelte vastgelopen.	<i>pagina 5-17</i>
<div style="border: 1px solid black; padding: 2px;">Papierstoring Printer</div>	D	Papier is in de printer vastgelopen.	<i>pagina 5-18</i>
<div style="border: 1px solid black; padding: 2px;">Papierstoring Achtereenheid</div>	E	Het papier is in de achtereenheid vastgelopen.	<i>pagina 5-19</i>

Algemene aandachtspunten bij het oplossen van storingen


Houd rekening met de volgende aandachtspunten wanneer u papier probeert te verwijderen:



VOORZICHTIG Trek niet te hard aan het papier, anders scheurt het. Gescheurde stukjes papier zijn lastig te verwijderen en kunnen gemakkelijk over het hoofd worden gezien, waardoor de papierstoring niet kan worden opgelost.

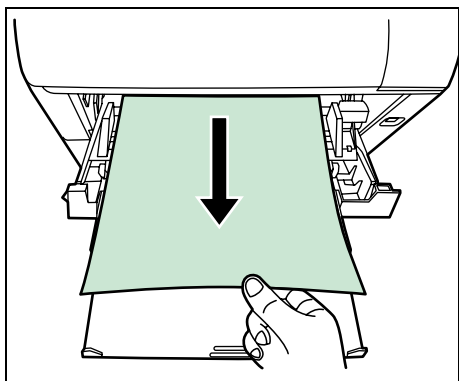
- Als er regelmatig een papierstoring optreedt, kunt u een andere papersoort proberen, het papier vervangen door nieuw papier of de papierstapel omdraaien. Het kan zijn dat de printer problemen ondervindt als de papierstoringen blijven optreden nadat het papier is vervangen.
- Of de vastgelopen pagina's gewoon worden gereproduceerd wanneer het afdrucken wordt hervat, hangt af van de locatie van de papierstoring.

Gebruik maken van online help-berichten

Online help-berichten zijn beschikbaar op het berichtenscherf van de printer en bieden eenvoudige instructies voor het oplossen van papierstoringen. Druk op () wanneer het bericht met de papierstoring verschijnt. Er verschijnt dan een help-bericht om het oplossen van de storing op de locatie mogelijk te maken.

Multifunctionele cassette

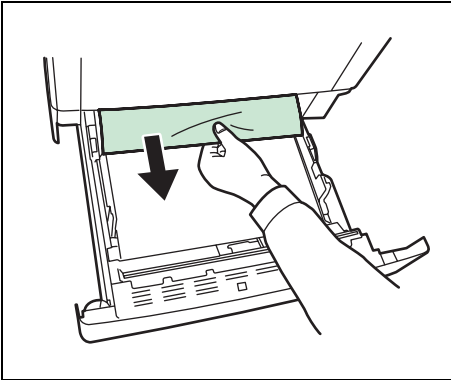
Het papier is in de MP-lade vastgelopen. Verwijder het vastgelopen papier met behulp van onderstaande procedure.



1 Verwijder het papier dat in de MP-lade is vastgelopen.

2 Open en sluit de bovenklep om de storing te verhelpen.

Papercassette/Papierinvoer



- 1 Trek de cassette of optionele papierinvoer naar buiten.
- 2 Verwijder het papier dat niet helemaal ingevoerd is.

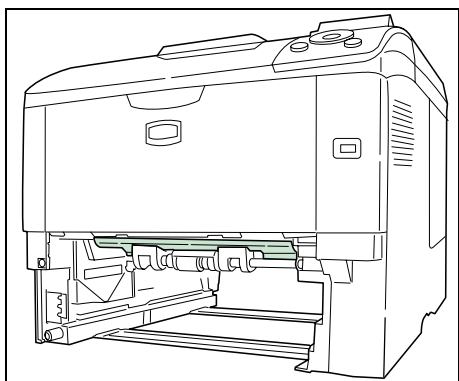


Opmerking Controleer of het papier goed is geplaatst. Als dit niet het geval is, plaatst u het papier opnieuw.

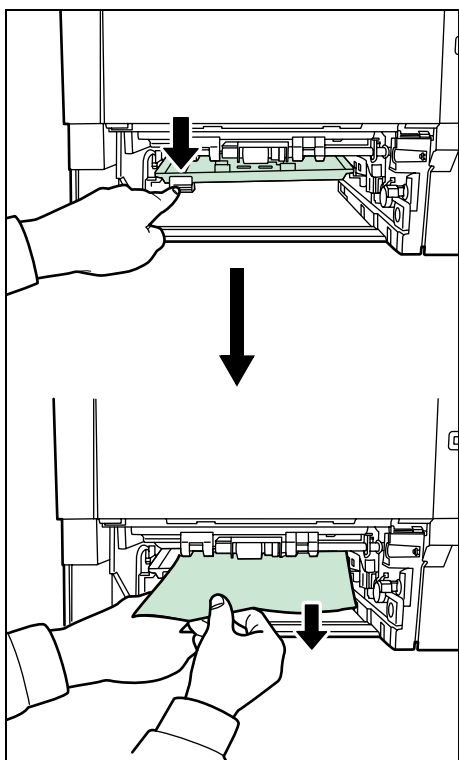
- 3 Duw de cassette weer goed naar binnen. De printer warmt op en gaat verder met afdrukken.

Duplex-eenheid

Het papier is in het duplexgedeelte vastgelopen. Verwijder het vastgelopen papier met behulp van onderstaande procedure.



VOORZICHTIG Raak geen onderdelen in dit gebied aan, want dit kan leiden tot brandwonden.

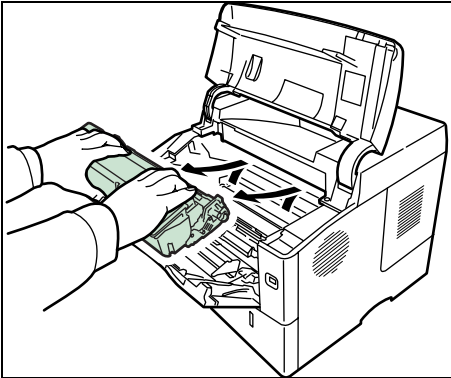


- 1 Trek de papercassette helemaal uit de printer.
- 2 Open de klep van de duplexeenheid en verwijder het vastgelopen papier.

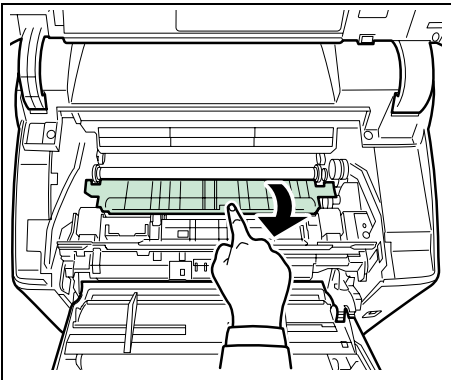
- 3 Plaats de papercassette in de sleuf van de printer. De printer warmt op en gaat verder met afdrucken.

Binnenin de printer

- 1 Open de bovenklep en de MP-lade.
- 2 Til de ontwikkelaar samen met de tonercontainer uit de printer.



- 3 Open de invoerklep.

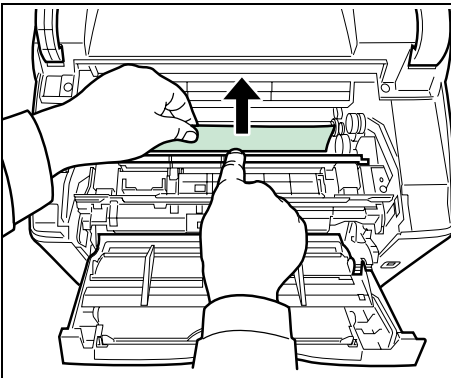


- 4 Haal het papier uit de printer.

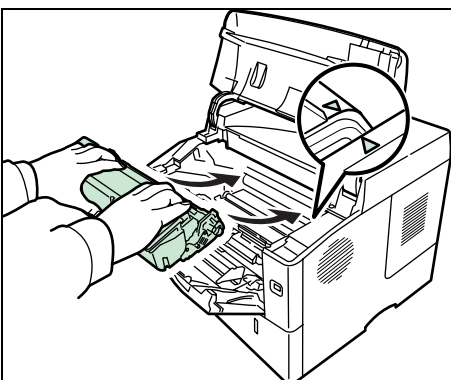
Als het papier tussen de rollen is vastgelopen, trekt u het papier in de normale papierrichting.



Opmerking Als u geen papierstoring kunt vinden, controleert u binnenin de achterkant van de printer. Raadpleeg *Achtereenheid* op pagina 5-19.

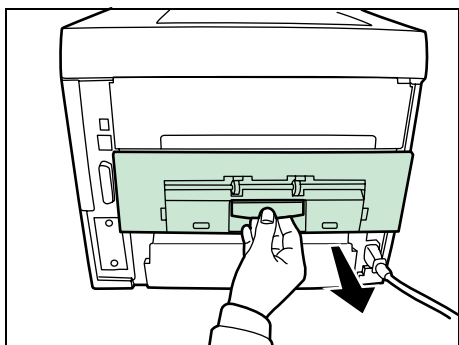


- 5 Plaats de ontwikkelaar samen met de tonercontainer terug in het apparaat.

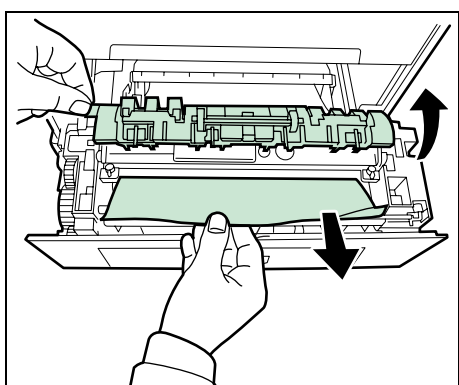


- 6 Sluit de bovenklep en de MP-lade. De printer warmt op en gaat verder met afdrukken.

Achtereenheid



- 1 Als het papier niet volledig in de uitvoerlade is uitgevoerd, opent u de achtereenheid.



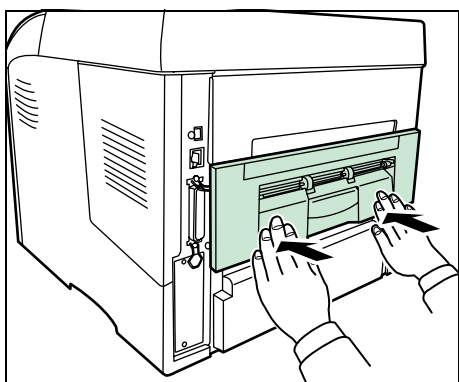
- 2 Open de fuserklep en verwijder het vastgelopen papier door het naar buiten te trekken.



Opmerking Als u geen papierstoring kunt vinden, controleert u binnenin de achterkant van de printer.



VOORZICHTIG De fuserenheid binnen in de printer is heet. Raak de eenheid niet met uw handen aan, aangezien dit brandwonden kan veroorzaken. Verwijder voorzichtig het vastgelopen papier.



- 3 Sluit de achtereenheid. De printer warmt op en gaat verder met afdrucken.

Envelop-invoer (enkel de FS-3920DN/4020DN)

Het papier is in de optionele envelopinvoer vastgelopen. Verwijder het vastgelopen papier via dezelfde procedure als voor papier dat in de MP-lade is vastgelopen. Open en sluit vervolgens de papiertransfer-eenheid. Raadpleeg de gebruikershandleiding voor de envelopinvoer voor meer informatie.

Bulktoevoer (enkel de FS-3920DN/4020DN)

Het papier is in de optionele bulktoevoer vastgelopen. Haal de bulktoevoer uit de printer door hem eruit te schuiven met de rail van de printer af. Houd de bulktoevoer met beide handen vast. Als er papier niet helemaal uitgevoerd is, trekt u het er met de hand uit.

6 Appendix

This section lists the following information of this printer.

Specificaties

6-2

Standaard milieuvorwaarden

6-5

Specificaties



Opmerking Deze specificaties kunnen zonder voorafgaande kennisgeving worden gewijzigd.

Item		Beschrijving			
		FS-2020D	FS-3920DN	FS-4020DN	FS-6970DN
Type		Bureaublad			
Afdrukmethode		Halfgeleiderlaser en elektrofotografie			
Papiergewicht	Cassette	60 tot 120 g/m ²			
	MP-lade	60 tot 220 g/m ²			
Papiersoort	Cassette	Gewoon, voorgedrukt, bankpost, hergebruikt, ruw, briefhoofd, kleur, voorgeponst, hoge kwaliteit en aangepast (1 tot 8)			
	Multifunctionele cassette/ Handinvoer:	Gewoon, transparant, voorgedrukt, etiketten, bankpost, hergebruikt, ruw, velijnpapier, briefhoofd, kleur, voorgeponst, envelop, kartonkaart, dik, hoge kwaliteit en aangepast (1 tot 8)			
Papierformaat	Cassette	A4, A5, JIS B5, Letter, Legal, Folio, Oficio II, Statement, ISO B5, Envelop C5, Executive, 16 kai, Custom (140 × 210 tot 216 × 356mm)	A4, A5, JIS B5, A6, Letter, Legal, Folio, Oficio II, Statement, ISO B5, Envelop C5, Executive, 16 kai, Custom (105 × 148 tot 216 × 356mm)	Ledger, Legal, Letter, A3, A4, B4, A5, JIS B5, A5, A6, Folio, Oficio II, Statement, Envelop C4, Envelop C5, ISO B5, Executive, 8 kai, 16 kai, Custom (148 × 210 tot 297 × 432mm)	
	MP-lade	A4, JIS B5, A5, Folio, Legal, Letter, Oficio II, Statement, Executive, A6, JIS B6, ISO B5, Envelop C5, Envelop #10, Envelop #9, Envelop #6, Envelop Monarch, Envelop DL, Hagaki, Ofuku-Hagaki, 16K, Yokei 2, Yokei 4, Custom (70 × 148 tot 216 × 356mm)		Ledger, Legal, Letter, A3, A4, B4, A5, JIS B5, A5, A6, Folio, Oficio II, Envelop Monarch, Envelop #10, Envelop DL, Statement, Envelop C4, Envelop C5, ISO B5, Executive, Envelop #9, Envelop #6, Hagaki, Ofuku-Hagaki, 8 kai, 16 kai, Yokei 2, Yokei 4, Custom (70 × 148 tot 297 × 450mm)	
Vergrotingsverhouding		25 tot 400%, 1% vergroting			

Item		Beschrijving			
		FS-2020D	FS-3920DN	FS-4020DN	FS-6970DN
Afdruk-snelheid	Eenzijdig	A6: 21 ppm*	A6: 22 ppm	A6: 23 ppm	A4: 35 ppm
		A5: 21 ppm	A5: 22 ppm	A5: 23 ppm	A5: 35 ppm
		A4: 35 ppm	A4: 40 ppm	A4: 45 ppm	A3: 17 ppm
		Letter: 37 ppm	Letter: 42 ppm	Letter: 47 ppm	-
		Legal: 28 ppm	Legal: 33 ppm	Legal: 38 ppm	-
	Dubbelzijdig	A4: 17,5 ppm	A4: 24,5 ppm	A4: 32,5 ppm	A4: 24,5 ppm
		Letter: 18,5 ppm	Letter: 26 ppm	Letter: 34 ppm	A5-R: 16 ppm
				A3: 10,5 ppm	
Eerste afdruk (A4, invoer vanuit cassette)		9 seconden of minder	10,5 seconden of minder	10,5 seconden of minder	9 seconden of minder als de EcoFuser uit staat en de printerstatus Ready is. 24 seconden of minder als de EcoFuser aan staat en de printer in de slaapstand staat.
Opwarmtijd (22°C, 60%RH)	Ingeschakeld	17 seconden of minder	17 seconden of minder	17 seconden of minder	15 seconden of minder
	Slaapstand	15,5 seconden of minder	15 seconden of minder	15 seconden of minder	15 seconden of minder
Papiercapaciteit	Cassette	500 vellen (80 g/m ²)			250 vellen (80 g/m ²)
	MP-lade	100 vellen (80 g/m ²)			100 vellen (80 g/m ²)
Capaciteit uitvoerlade	Bovenlade	250 vellen (80 g/m ²)	500 vellen (80 g/m ²)		250 vellen (80 g/m ²)
	Opvangbak Beeldzijde omhoog	-	PT-310: 250 vellen (80 g/m ²)		
Doorlopend afdrukken		1 tot 999 vellen			
Resolutie		Fijne 1200 modus, snelle 1200 modus, 600 dpi, 300 dpi			
Bedrijfsomgeving	Temperatuur	10 tot 32,5°C			
	Vochtigheid	15 tot 80 %			
	Hoogte	2.500 m maximaal			
	Verlichting	maximaal 1.500 lux			
Controller		PowerPC 440/533 MHz	PowerPC 440/600 MHz	PowerPC 440/667 MHz	PowerPC 440/600 MHz
Ondersteunde besturingssystemen		Windows 2000 Service Pack 2 of later, Windows Server 2003, Windows XP, Windows Vista, Mac OS X 10.x			

Item		Beschrijving			
		FS-2020D	FS-3920DN	FS-4020DN	FS-6970DN
Interface	Standaard	Parallel: 1 (IEEE1284) Hi-Speed USB: 1 Full-speed USB: 1 (USB-flashgeheugenslot) KUIO/W slot	Parallel: 1 (IEEE1284) Hi-Speed USB: 1 Netwerk: 1(10BASE-T/100BASE-TX) Full-speed USB: 1 (USB-flashgeheugenslot) KUIO/W slot		
	Optie	IB-31: 10/100BASE-TX	-	-	-
PDL		PRESCRIBE			
Emulatie		PCL 6, KPDL, KPDL (AUTO), Line Printer, IBM Proprinter, DIABLO 630, EPSON LQ-850		PCL 6, KPDL, KPDL (AUTO), Line Printer, IBM Proprinter, DIABLO 630, EPSON LQ-850, KC-GL	
Geheugen	Standaard	128MB			
	Maximaal	1152MB			
Afmeting (B x D x H)		382 x 394 x 285 mm	382 x 394 x 320 mm		469 x 395 x 285 mm
Gewicht (zonder tonercontainer)		16,2 kg	16,8 kg		19,5 kg
Stroomvereisten		220 tot 240 V AC, 50/60 Hz, 4.1 A	220 tot 240 V AC, 50/60 Hz, 4.2 A	220 tot 240 V AC, 50/60 Hz, 4.3 A	220 tot 240 V AC, 50/60 Hz, 3.9 A
Stroomverbruik	Maximaal	1004 W (Europa)	1022 W (Europa)	1029 W (Europa)	976 W
	Tijdens afdrucken	560 W (Europa)	641 W (Europa)	667 W (Europa)	516 W
	Tijdens stand-by	9,2 W wanneer de EcoFuser aan staat	9,5 W wanneer de EcoFuser aan staat	9,9 W wanneer de EcoFuser aan staat	9,6 W wanneer de EcoFuser aan staat
		68 W (Europa) wanneer de EcoFuser uit staat.	76 W wanneer de EcoFuser uit staat	79 W (Europa) wanneer de EcoFuser uit staat.	67 W wanneer de EcoFuser uit staat.
	Slaapstand	5,7 W (Europa)	5,9 W (Europa)	6,4 W (Europa)	-
	Stroom uit	0 W			
Opties		Geheugenuitbreiding, papierinvoer (500-vellen x 2), harde schijf (HD-5A)	Geheugenuitbreiding, papierinvoer (500-vellen x 3), harde schijf (HD-5A)		Geheugenuitbreiding, papierinvoer (250-vellen x 4), harde schijf (HD-5A)

*. alleen toepasbaar op invoer vanuit MP-lade.

Standaard milieuvorwaarden

Dit apparaat voldoet aan de volgende standaard milieuvorwaarden.

- Tijd voor overschakelen naar de slaapstand (standaard): 15 minuten (FS-2020D/3920DN/4020DN)/5 minuten (FS-6970DN)
- Dubbelzijdig afdrucken: Standaard uitrusting
- Duurzaam papier voor invoer: papier dat gemaakt is van 100% hergebruikt papier.



Opmerking Neem contact op met uw verkoper of vertegenwoordiger van de serviceafdeling voor aanbevolen papiersoorten.

Index

Symbols

[OK] toets
bedieningspaneel 1-4

Numerics

3D-beeld
status monitor 3-21

A

AAN/UIT-schakelaar
onderdelen 1-2

Aangepaste modus
installatiemethode 3-15

Aansluiting
netsnoer 3-3
netwerkkabel 3-2
parallele kabel 3-2
USB-kabel 3-2

Achtereenheid
onderdelen 1-3
papierstoringen oplossen 5-19

Afdrukken vanuit applicaties 3-19

Algemene problemen
problemen oplossen 5-2

B

Bedieningspaneel
lampjes, toetsen 1-4
onderdelen 1-2

Berichtenschermb
bedieningspaneel 1-4
Online help-berichten 5-14

Binnenin de printer.
papierstoringen oplossen 5-18

Bovenklep
onderdelen 1-2

Bovenlade
onderdelen 1-2

Bulktoevoer
papierstoringen oplossen 5-19

C

Cancel toets
bedieningspaneel 1-4

Cassette

papier plaatsen 2-2

Cursortoetsen
bedieningspaneel 1-4

D

De stroom aandoen 3-3

De tonerafvalbak vervangen 4-6

Dik papier en enveloppen plaatsen.
MP-lade 2-8

Duplex-eenheid
papierstoringen oplossen 5-17

E

Een netwerkinterface-statuspagina afdrukken 3-12

Envelop-invoer
papierstoringen oplossen 5-19

F

Foutberichten
in tabel, met correcties 5-5
met betrekking tot de geheugenkaart 5-10
met betrekking tot de harde schijf 5-10
met betrekking tot de RAM-schijf 5-11

Foutcodes met betrekking tot opslag
harde schijf, geheugenkaart, USB-flashgeheugen . 5-10

G

GO-toets
bedieningspaneel 1-4

I

Installatiemethode
aangepaste modus 3-15
snelle modus 3-14

Instellingen status monitor
tabblad geluidsmelding, tabblad uiterlijk 3-22

L

Lampjes
bedieningspaneel 1-4

Langdurig buiten gebruik 4-9

Linkerklep
onderdelen 1-2

M

MENU toets	
bedieningspaneel	1-4
Mogelijke locaties van papierstoringen	5-12
MP-lade	
dik papier plaatsen	2-8
enveloppen plaatsen	2-8
onderdelen	1-2
papier plaatsen	2-6
papierstoringen oplossen	5-15

N

Namen	
Bedieningspaneel	1-4
Netsnoer	
aansluiting	3-3
Netsnoeraansluiting	
onderdelen	1-3
NetWare, AppleTalk, IPP en SSL-server instellingen	
Netwerkinterface parameters	3-6
Netwerkaansluiting	
onderdelen	1-3
Netwerkinterface parameters	
AppleTalk	3-9, 3-10, 3-11
IPP	3-9
NetWare	3-8
SSL-server	3-10
TCP/IP	3-5
TCP/IP (IPv6)	3-6
Netwerkinterface parameters wijzigen	3-4
Netwerkinterface-statuspagina	
afdrukken	3-12
Netwerkkabel	
aansluiting	3-2
Netwerklampjes	
onderdelen	1-3

O

Onderdelen	
aan de achterkant van de printer	1-3
aan de linkerkant van de printer en intern	1-2
aan de voorkant van de printer	1-2
Onderdelen van de machine	1-1
Onderhoud	
Vervanging tonercontainer, reinigen	4-1
Online help-berichten	
voor het oplossen van papierstoringen	5-14
Optie	
Document finisher	4-8
Optionele aansluitingslot	
onderdelen	1-3

Originele platen	
Reinigen	5-2

P

Papier plaatsen	
cassette	2-2
MP-lade	2-6
Papiercassette	
onderdelen	1-2
papierstoringen oplossen	5-16
Papierinvoer	
papierstoringen oplossen	5-16
Papierstopper	
onderdelen	1-2
Papierstoringen oplossen	
achtereenheid	5-19
binnenin de printer	5-18
bulktoevoer	5-19
duplex-eenheid	5-17
envelop-invoer	5-19
MP-lade	5-15
papiercassette	5-16
papierinvoer	5-16
Parallele aansluiting	
onderdelen	1-3
Parallele kabel	
aansluiting	3-2
Pictogram status monitor	
status monitor	3-21
Pop-upvenster	
status monitor	3-20
Printer verplaatsen	4-9
Printerdriver installeren	3-13
Mac Besturingssysteem	3-16
Windows pc	3-13
Problemen met de afdrukkwaliteit	
problemen oplossen	5-3
Problemen oplossen	5-1
Algemene problemen	5-2
problemen met de afdrukkwaliteit	5-3

R

Rechterklep	
onderdelen	1-2
Reinigen	
printer	4-8
Documentverwerker	5-3

S

Schermoverzicht	
pop-upvenster, 3D-beeld, pictogram status monitor	3-20
Snelle modus	

installatiemethode	3-14
Software verwijderen	3-24
Specificaties	
Milieuspecificaties	6-5
Specifications	6-2
Standaard milieuvorwaarden	6-5
Startcontainer	
tonercontainer	4-2
Status monitor	
3D-beeld	3-21
pictogram status monitor	3-21
pop-upvenster	3-20
toegang	3-20
verlaat	3-20

T

Tabblad geluidsmelding	
Instellingen status monitor	3-22
Tabblad uiterlijk	
Instellingen status monitor	3-23
TCP/IP, TCP/IP (IPv6) instellingen	
netwerkiterface parameters	3-4
Tips	5-2
Toegang tot de Status Monitor	3-20
Tonerafvalbak	
onderdelen	1-2
Tonercontainer	
hoe te vervangen	4-3
onderdelen	1-2
vervanging	4-2
Tonercontainer vervangen	4-3
Tonerpakket	
tonercontainer, plastic wegwerpzak, tonerafvalbak, handleiding	4-2

U

USB-aansluiting	
onderdelen	1-3
USB-geheugenslot	
onderdelen	1-2
USB-kabel	
aansluiting	3-2

V

Verlaten van de Status Monitor	3-20
Vervanging	
tonerafvalbak	4-6
tonercontainer	4-2, 4-3

<Memo>

<Memo>

We bevelen het gebruik van onze eigen merkonderdelen aan.

We zijn niet aansprakelijk voor eventuele schade veroorzaakt door het gebruik van onderdelen van andere merken in dit apparaat.



PASSIONATE PEOPLE. FROM ALL OVER THE WORLD.



KYOCERA MITA EUROPE B.V.



EUROPEAN HEADQUARTERS
Bloemlaan 4
2132 NP Hoofddorp
The Netherlands
Phone: +31 20 654 0000
Fax: +31 20 653 1256
www.kyoceramita-europe.com



KYOCERA MITA Europe B.V.,
Amsterdam (NL)
Zweigniederlassung Zürich
Hohlstrasse 614
CH-8048 Zürich
Phone: +41 1 908 49 49
Fax: +41 1 908 49 50
www.kyoceramita.ch

KYOCERA MITA SALES COMPANIES IN EMEA



KYOCERA MITA INTERNATIONAL SALES
(Europe, Middle East & North Africa)
Bloemlaan 4
2132 NP Hoofddorp
The Netherlands
Phone: +31 20 654 0000
Fax: +31 20 653 1256
www.kyoceramita-europe.com



AUSTRIA
KYOCERA MITA AUSTRIA GmbH
Eduard Kittenberger Gasse 95
A-1230 Wien
Phone: +43 1 86 338 0
Fax: +43 1 86 338 400
www.kyoceramita.at



BELGIUM
S.A. KYOCERA MITA Belgium N.V.
Sint-Martinusweg 199-201
BE-1930 Zaventem
Phone: +32 2 720 9270
Fax: +32 2 720 8748
www.kyoceramita.be



DENMARK
KYOCERA MITA Denmark A/S
Ejby Industrivej 1
DK-2600 Glostrup
Phone: +45 70 22 3880
Fax: +45 45 76 3850
www.kyoceramita.dk



FINLAND
KYOCERA MITA Finland OY
Kirvesmiehenkatu 4
FI-00880 Helsinki
Phone: +358 9 4780 5200
Fax: +358 9 4780 5390
www.kyoceramita.fi



FRANCE
KYOCERA MITA France S.A.
Parc les Algorithmes Saint Aubin
FR-91194 Gif-Sur-Yvette
Phone: +33 1 6985 2600
Fax: +33 1 6985 3409
www.kyoceramita.fr



GERMANY
KYOCERA MITA Deutschland GmbH
Otto-Hahn-Str. 12
D-40670 Meerbusch / Germany
Phone: +49 2159 918 0
Fax: +49 2159 918 100
www.kyoceramita.de



ITALY
KYOCERA MITA Italia S.P.A.
Via Verdi, 89/91
I-20063 Cernusco sul Naviglio (MI)
Phone: +39 02 921 791
Fax: +39 02 921 796 00
www.kyoceramita.it



THE NETHERLANDS
KYOCERA MITA Nederland B.V.
Beechavenue 25
1119 RA Schiphol-Rijk
Phone: +31 20 587 7200
Fax: +31 20 587 7260
www.kyoceramita.nl



NORWAY
KYOCERA MITA Norge
Olaf Helsetsvvei 6
NO-0694 Oslo
Phone: +47 22 627 300
Fax: +47 22 627 200
www.kyoceramitanorge.no



PORTUGAL
KYOCERA MITA Portugal LDA.
Rua do Centro Cultural 41
PT-1700-106 Lisboa
Phone: +351 21 843 6780
Fax: +351 21 849 3312
www.kyoceramita.pt



SOUTH AFRICA
KYOCERA MITA South Africa (Pty) Ltd.
527 Kyalami Boulevard, Kyalami
Business Park · ZA-1685 Midrand
Phone: +27 11 540 2600
Fax: +27 11 466 3050
www.kyoceramita.co.za



SPAIN
KYOCERA MITA España S.A.
Avda. Manacor No. 2
ES-28290 Las Matas (Madrid)
Phone: +34 91 631 83 92
Fax: +34 91 631 82 19
www.kyoceramita.es



SWEDEN
KYOCERA MITA Svenska AB
Esbogatan 16B
SE-164 75 Kista
Phone: +46 8 546 550 00
Fax: +46 8 546 550 10
www.kyoceramita.se



UNITED KINGDOM
KYOCERA MITA UK Ltd.
8 Beacontree Plaza, Gillette Way,
Reading, Berkshire RG2 OBS
Phone: +44 1189 311 500
Fax: +44 1189 311 108
www.kyoceramita.co.uk

KYOCERA MITA WORLDWIDE



JAPAN
KYOCERA MITA Corporation
(Head Office)
2-28, 1-Chome, Tamatsukuri, Chuo-ku,
Osaka 540-8585, Japan
Phone: +81 6 6764 3555
Fax: +81 6 6764 3980
www.kyoceramita.com



USA
KYOCERA MITA America, INC.
(Head office)
225 Sand Road, P.O. Box 40008
Fairfield, New Jersey 07004-0008, USA
Phone: +1 973 808 8444
Fax: +1 973 882 6000
www.kyoceramita.com/us

KYOCERA CORPORATION



JAPAN
KYOCERA CORPORATION
(Corporate Headquarters)
6 Takeda Tobadono-cho, Fushimi-ku
Kyoto 612-8501, Japan
Phone: +81 75 604 3500
Fax: +81 75 604 3501
www.kyocera.co.jp

 **KYOCERA**

