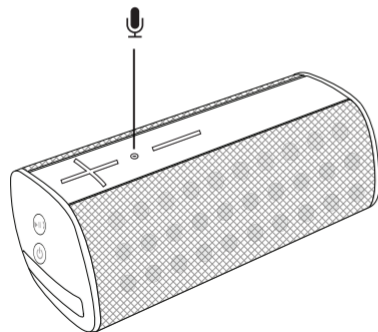
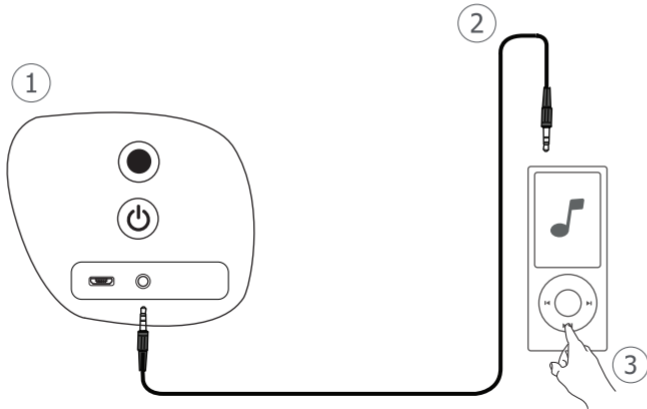


Wireless - phone call



Wired - setup

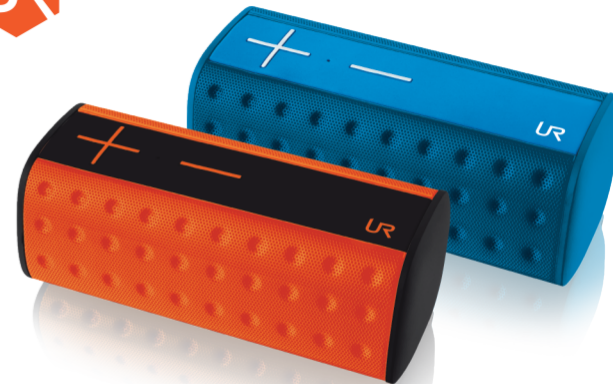


FAQ

Frequently asked questions

<http://www.urbanrevolt.com/20098/faq>

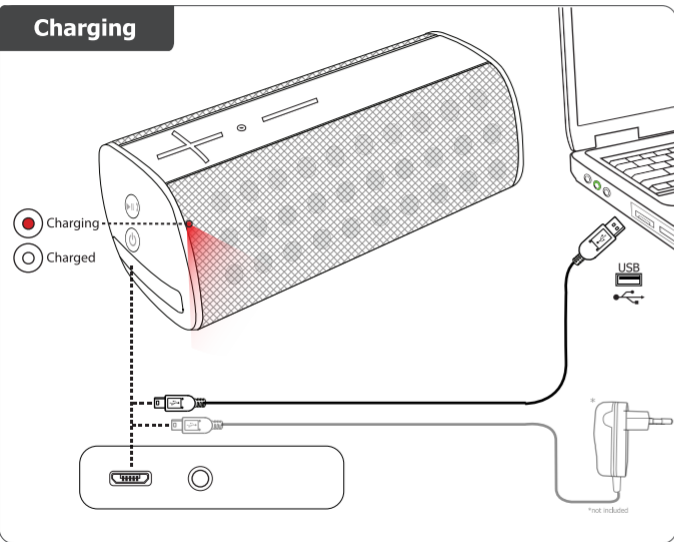
© 21-07-2014 Urban Revolt All rights reserved.



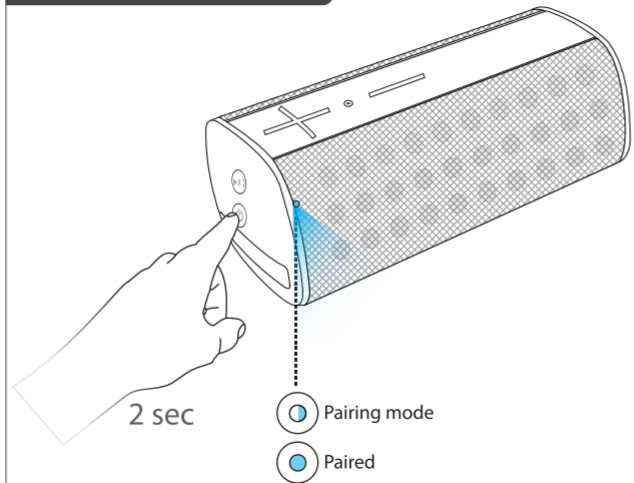
Quick Installation Guide

Deci wireless speaker

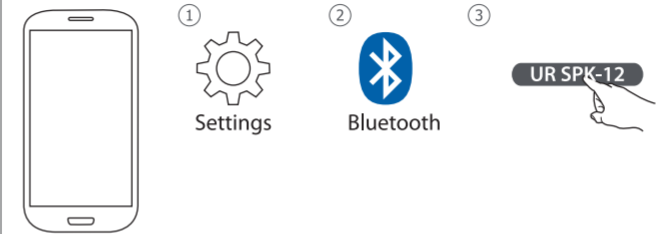
Charging



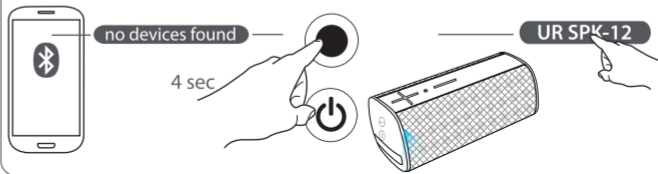
Wireless - setup 1/2



Wireless - setup 2/2



Wireless - Troubleshooting



Wireless - play music

