

masterchef gourmet

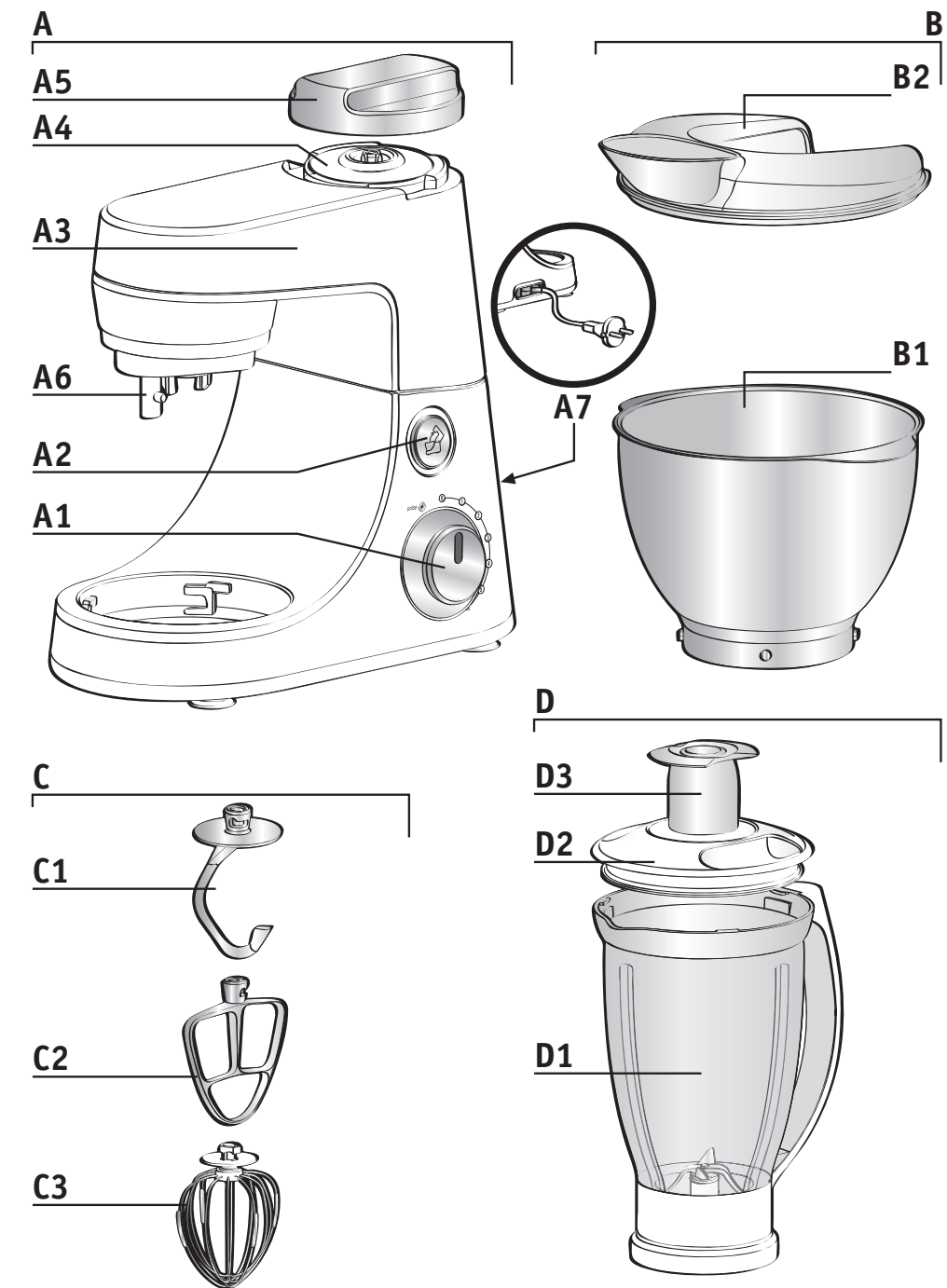


12/2013 - réalisation : Espace Graphique

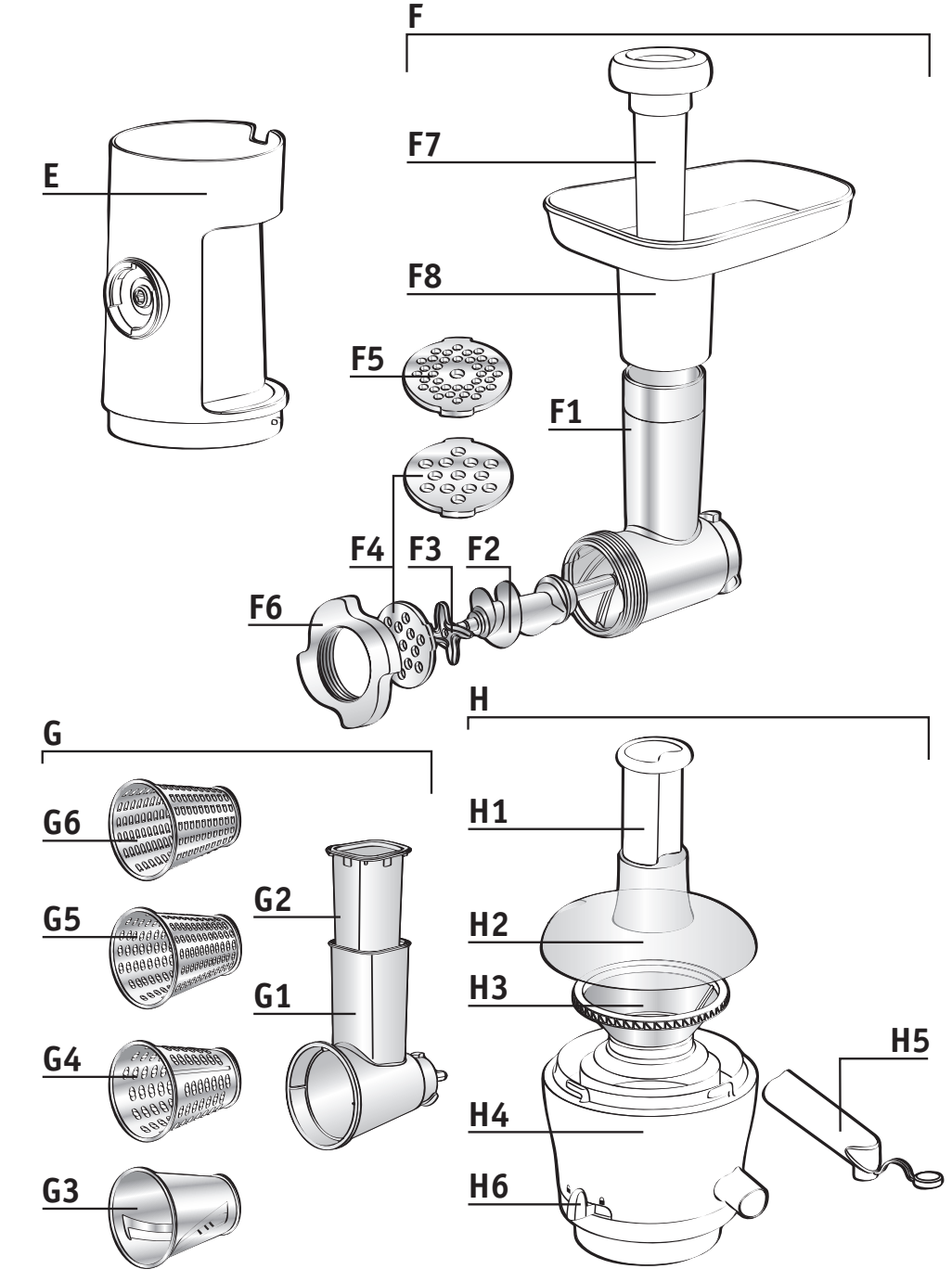
Ref. 8080013263

- EN p. 9
- NL p.20
- SV p.31
- NO p.42
- DA p.53
- FI p.64
- TR p.75
- ES p.87
- LV p.98
- LT p.109
- PL p.120

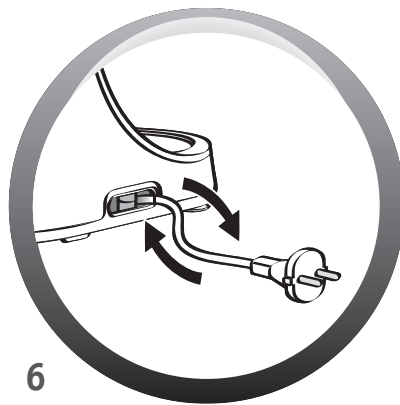
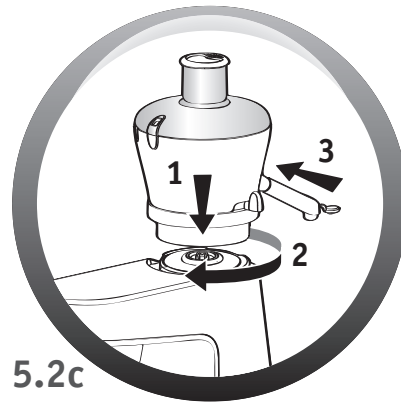
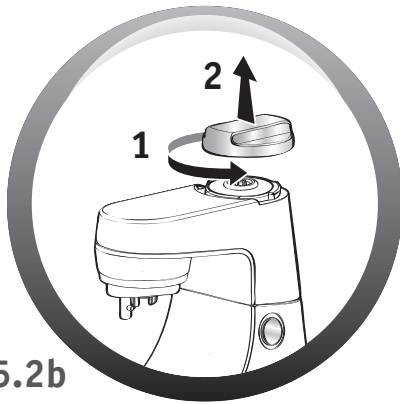
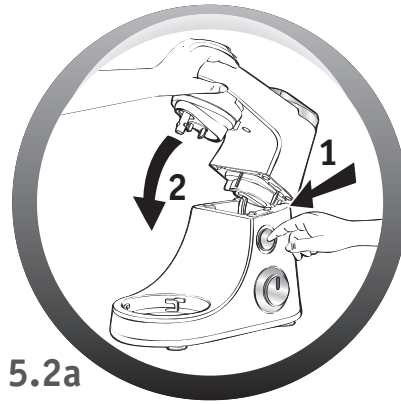
- EN
- NL
- SV
- NO
- DA
- FI
- TR
- ES
- LV
- LT
- PL



2



3





Thank you for choosing this appliance, which is intended exclusively for the preparation of food and is for indoor, domestic use only.

DESCRIPTION

EN

<p>a - Motor unit</p> <ul style="list-style-type: none"> a1 Electronic speed selector a2 Multi-function head (a3) release button a3 Multi-function head a4 High speed outlet (blender jug / juice extractor / grinder) a5 Safety cover a6 Mixer accessories outlet (kneader, balloon whisk, mixer) a7 Power cord storage <p>b - Bowl assembly</p> <ul style="list-style-type: none"> b1 Stainless steel bowl b2 Lid <p>c - Mixer accessories</p> <ul style="list-style-type: none"> c1 Kneader c2 Mixer c3 Balloon whisk <p>d - Blender jug (depending on model)</p> <ul style="list-style-type: none"> d1 Jug d2 Lid d3 Measuring cup <p>e - Attachment holder (depending on model)</p>	<p>f - Mincer head (depending on model)</p> <ul style="list-style-type: none"> f1 Metal body f2 Feed screw f3 Blade f4 Large-hole screen f5 Small-hole screen f6 Nut f7 Pusher f8 Tray <p>g - Vegetable slicer (depending on model)</p> <ul style="list-style-type: none"> g1 Drum body g2 Pusher g3 Slicer drum A g4 Coarse grater drum C g5 Fine grater drum D g6 Reibekuchen drum E <p>h - Juice extractor (depending on model)</p> <ul style="list-style-type: none"> h1 Pusher h2 Lid h3 Rotary filter h4 Juice collector h5 Pouring spout h6 Locking lever
--	---

SAFETY INSTRUCTIONS

- Please read the instructions for use carefully before using your appliance for the first time and retain them for future reference: the manufacturer shall accept no liability in the event of any use that does not comply with the instructions.
- This appliance is not intended for use by persons (including children) with reduced physical, sensory or mental capacities, or lack of experience and knowledge, unless they have been given supervision or instruction concerning use of the appliance by a person responsible for their safety. Children should be supervised to ensure that they do not play with the appliance.
- Check that the power rating of your appliance corresponds to your electrical supply. Any connection fault invalidates the warranty.
- Your appliance is intended only for domestic culinary use, in an indoor setting and under supervision, at an altitude below 2000m.
- Refer to « before first use » section to clean all accessories in contact with foodstuff, and refer to « cleaning » section to clean them after each use. Also refer to the "cleaning" section for maintenance and cleaning of your appliance.
- Always disconnect the appliance from the supply if it is left unattended and before assembling, disassembling or cleaning.
- Do not use the appliance if it is not working properly or if it has been damaged. Contact an authorised service centre (see list in the service booklet).

EN

- Any maintenance other than routine cleaning and upkeep by customers must be carried out by an approved service centre (see list in the service booklet).
- Do not place the appliance, the supply cable or the plug in water or any other liquid.
- The power cord must be kept out of the reach of children and must not be placed near or come into contact with the hot parts of the appliance, sources of heat or sharp corners.
- Do not use the appliance if the power cord or plug is damaged. The power cord must be replaced by an approved service centre (see list in the service booklet) in order to avoid danger.
- Do not place the accessories in a microwave oven.
- For your own safety, use only accessories and spare parts designed for your appliance and sold in an authorised service centre (see list in the service booklet).
- Remember: you may injure yourself if you use the appliance incorrectly
- To prevent injuries, handle the blades (d, f, g) with care when emptying the bowls, assembling and disassembling the accessories and when cleaning: they are extremely sharp.
- Always remove the blender (d) or the juice extractor (h) before pressing the multi-function head (a3) release button (a2).
- Always use the pusher (f7) with the mincer head accessory (f), to guide food in the feed tube. Never use your fingers, a fork, a spoon, a knife or any other object.
- Never touch any moving parts. Wait for the appliance to come to a complete stop before removing accessories.
- Do not touch the whisks or the kneader (c) when the appliance is running.
- Do not allow long hair, scarves, ties etc. to dangle over the appliance during operation.
- Never insert utensils (spoon, spatula, etc.) through the feed tube in the lids (b2), (d2) or (h2) in the drum body (g1).
- Do not run the blender jug (d1) without its lid (d2).
- Never fill the blender jug with boiling liquid. Only use liquids at temperature below 80°C (176°F)
- Never run the blender jug empty.
- Never remove the lid before the blades have stopped completely.
- Always pour liquid ingredients into the blender jug first before adding solid ingredients.
- Use only one accessory at a time.
- Do not use the bowls (b1, d1) as containers for freezing, cooking or sterilisation.
- Do not use the juice extractor if the rotary filter (h3) or the protecting cover (h2) or has visible cracks.
- Switch off the appliance and disconnect from supply before changing accessories or approaching parts that move in use.
- Be careful if hot liquid is poured into the food processor or blender as it can

- be ejected out of the appliance due to a sudden steaming..
- It is not intended to be used in the following applications, and the guarantee will not apply for:
 - staff kitchen areas in shops, offices and other working environments;
 - farm houses;
 - by clients in hotels, motels and other residential type environments;
 - bed and breakfast type environments.
 - Refer to the diagrams, « assembling the accessories » and « dismantling the accessories » sections for correct assembly and dismantling of the accessories.
 - Refer to the instructions to obtain the operating time and speed settings for each accessory.
 - **This appliance should not be used by children. Keep the appliance and its cord out of reach of children.**
 - **Children shall not play with the appliance.**
 - **This appliance may be used by persons with reduced physical, sensory or mental capabilities, or whose experience or knowledge is not sufficient, provided they are supervised or have received instruction to use the appliance safely and understand the dangers.**
 - **The multiwire whisk (c3), the coarse grater drum (g4) and fine grater drum (g5) can be used by children aged from 8 years and above if they have been given supervision or instruction concerning use of the appliance in a safe way and if they understand the hazards involved. Cleaning and user maintenance shall not be made by children unless they are aged from 8 years and above and supervised. Keep the appliance and its cord out of reach of children aged less than 8 years.**

BEFORE FIRST USE

- Before using for the first time, wash all accessory parts in soapy water (except for the attachment (e): see § Cleaning) Rinse and dry.
- Place the appliance on a flat, clean and dry surface. Make sure that the selector button (a1) is in "0" position and plug in your appliance.
- You have several options for starting your appliance:
 - **Intermittent operation (pulse):** Turn the selector button (a1) to the "pulse" position. Using a succession of pulses can give you better control when preparing certain foods.
 - **Continuous operation:** Turn the selector button (a1) to the desired position from "1" to "max" depending on the food you are preparing.

You can change it as required during preparation.

- To stop the appliance, turn the button (a1) to "0".

Important : The appliance will start only if the cover (a5) and the head (a3) are locked. The appliance will stop immediately if you unlock the cover (a5) and/or the head (a3) during operation. Lock the cover and/or the head, turn the control button (a1) to the "0" position, and then start the appliance normally by selecting the desired speed.

Your appliance comes with a microprocessor that controls and analyses the operating power. **If the load becomes too high, your appliance will stop automatically.** To restart your appliance, turn the rotary button (a1) to the "0" position and remove some of your ingredients. Allow your appliance to cool down for a few minutes. You can then select the desired speed to complete your preparation.

The paragraph numbering corresponds to the numbers in the diagrams.

1 - MIXING / KNEADING / BEATING / EMULSIFYING / WHISKING

EN

You can prepare up to 1,8 kg of dough using the stainless steel bowl (b1) and its lid (b2) depending on the food.

ACCESSORIES USED:

- Stainless steel bowl (b1).
- Lid (b2)
- Kneader (c1) or mixer (c2) or balloon whisk (c3)

1.1 - ASSEMBLING THE ACCESSORIES

- Press the button (a2) to release the multi-function head (a3) and raise it until it locks in place.
- Lock the stainless steel bowl (b1) (clockwise) on the appliance and put in the ingredients.
- Insert the desired accessory (c1, c2 or c3) on the outlet (a6), push and rotate it anti-clockwise a quarter turn to lock the accessory in its housing.
- Place the multi-function head (a3) to the horizontal position: press the button (a2) and manually lower the multi-function head (a3) until it locks (the button (a2) returns to its initial position).
- Slide the lid (b2) over the stainless steel bowl (b1).

Note: It is not essential to use the lid but it prevents splashing.

- Make sure that the cover (a5) is locked correctly (clockwise) on the high-speed outlet (a4).

1.2 - USAGE

Start by turning the selector button (a1) to the desired position according to the recipe.

- The appliance starts running immediately.
You can add food through the hole in the lid (b2) during preparation.
- To stop the appliance, turn the button (a1) to "0".

Tips:

- Kneading

- Use the kneader accessory (c1) **at speed "1"**.
You can knead up to 500 g of flour (e.g. white bread, grain bread, short crust pastry, etc.).

- Mixing

- Use the mixer (c2) **at speed "1" to "max"**.
You can mix up to 1,8 kg of light dough (light cake mixture, sponge cake, biscuit or cookie dough).
- **Never use the mixer (c2) to knead heavy dough.**

- Beating / emulsifying / whisking

- Use the balloon whisk (c3) **at speed "1" to "max"**.
- You can prepare: mayonnaise, aioli, sauces, whisked egg whites (up to 8 egg whites), whipped cream (up to 500 ml), meringues etc.
- **Never use the balloon whisk (c3) to knead heavy dough or mix light dough.**

1.3 - DISMANTLING THE ACCESSORIES

- **Wait for the appliance to come to a complete stop.**
- Remove the lid (b2).
- Using the button (a2), release the multi-function head (a3) and raise it to the upper position.
- Release the accessory (c1), (c2) or (c3) from the multi-function head by pushing the accessory into the head and rotating it clockwise a quarter turn.
- Remove the stainless steel bowl.

2 - BLENDING/MIXING (DEPENDING ON MODEL)

Depending on the nature of the food, you can use the blender (d) to prepare up to 1.5 L of thick mixtures and 1.25 L of liquid mixtures.

ACCESSORIES USED :

- Blender jug (d)

2.1 - ASSEMBLING THE ACCESSORIES

- Place the multi-function head (a3) in the horizontal position: press the button (a2) and manually lower the multi-function head (a3) until it locks (the button (a2) returns to its initial position).
- Unlock the safety cover (a5) from the high-speed outlet (a4) by rotating it anti-clockwise and then remove it.
- Make sure that the appliance is switched off before locking the blender (d).
- Lock the blender jug (d) on the outlet (a4) by rotating it clockwise.
- Place the food in the blender jug, and lock the lid (d2) fitted with the measuring cap (d3), by rotating it anti-clockwise.

2.2 - USAGE

- Start by turning the selector button (a1) to the desired position according to the recipe. Use the "Pulse" position for better mixing control and for a better blending of your preparation. You can add food through the hole in the measuring cap (d3) during preparation.
- To stop the appliance, turn the button (a1) to "0".

Tips :

You can prepare:

- finely blended soups, cream soups, stewed fruit, milkshakes and cocktails.
- liquid batter (pancake, fritters, Yorkshire pudding, waffles, clafoutis and custard flans).
If ingredients stick to the sides of the bowl when mixing, stop the appliance. Remove the blender, and push the food down onto the blades and put your blender back to continue your preparation.
- Never fill the blender jug with boiling liquid. Only use liquids or foods at simmering temperatures or below.
- Never run the blender jug empty.
- Always use the blender jug with its lid.
- Never remove the lid before the blades have stopped completely.
- Always pour liquid ingredients into the blender jug first before adding solid ingredients.

2.3 - DISMANTLING THE ACCESSORY

- Wait for the appliance to come to a complete stop before removing the blender by unlocking it in the anti-clockwise direction and put back the cover (a5) by locking it on the outlet (a4) (clockwise).

3 - MINCING (DEPENDING ON MODEL)**ACCESSORIES USED :**

- Attachment holder (e)
- Assembled mincer head (f)

3.1 - FITTING THE MINCER ATTACHMENT

- Press the button (a2) to release the multi-function head (a3) and raise it until it locks in place.
- Place the attachment (e) and lock it in the anti-clockwise direction such that the outlet is in alignment with the appliance.
- Place the multi-function head (a3) in the horizontal position by pressing the button (a2) once again.

3.2 - ASSEMBLING THE MINCER HEAD

- Hold the body (f1) by the feed tube, with the wider opening uppermost.
- Insert the feed screw (f2) (long shaft first) into the body (f1).
- Fit the blade (f3) onto the short shaft protruding from the feed screw (f2) with the cutting edges facing outwards.
- Fit the chosen screen (f4 or f5) on the blade (f3), aligning the two lugs with the two notches in the body (f1).
- Screw the nut (f6) home on the body (f1) in the clockwise direction, without locking it.

- Check the assembly. The shaft should have no play, neither should it be able to turn on its own. Otherwise, repeat the assembly procedure.

EN

3.3 - FITTING THE MINCER HEAD ON THE APPLIANCE

- Facing the attachment outlet (e), insert the assembled mincer head (f) inclined to the right, aligning the two bayonets in the mincer head with the two notches in the attachment. Push the mincer head home into the attachment and turn the mincer head anti-clockwise until it latches with the feed tube in the vertical position.
- Place the removable tray (f8) on the feed tube.

3.4 - USAGE, TIPS AND DISMANTLING

- Make sure that the safety cover (a5) is locked correctly (clockwise) on the high-speed outlet (a4).
- Place a container to collect the preparation in front of the appliance.
- Run the appliance by turning the selector (a1) to speed "3" or "4".
- Push the meat, piece by piece, down the feed tube, using the pusher (f7). **Never push the ingredients down the feed tube with your fingers or any other utensil.**
- To stop the appliance, turn the selector to "0" speed and wait for the appliance to come to a complete stop.
- Unlock the mincer head in the reverse order of the assembly.

Tips :

- Prepare all of the foodstuffs to be minced (for meat, remove the bones, gristle and tendons and cut it into pieces of approximately 2 x 2 cm).
- Make sure that frozen meat is thoroughly thawed.
- At the end of the operation, you can feed a few small pieces of bread into the feed tube to clear any meat remaining in the machine.

4 - GRATING / SLICING (DEPENDING ON MODEL)

ACCESSORIES USED :

- Attachment holder (e)
- Assembled vegetable slicer (g)
- Drums (depending on model)

4.1 - ASSEMBLING THE ACCESSORIES

- Press the button (a2) to release the multi-function head (a3) and raise it until it locks in place.
- Place the attachment (e) and lock it in the anti-clockwise direction such that the outlet is in alignment with the appliance.
- Place the multi-function head (a3) in the horizontal position by pressing the button (a2) once again.
- Make sure that the safety cover (a5) is locked correctly (clockwise) on the high-speed outlet (a4).
- Facing the attachment (e) outlet, insert the drum body (g1) inclined to the right, aligning the two bayonets in the drum body with the two notches in the attachment. Push the drum body home and turn the drum body anti-clockwise until it latches with the feed tube in the vertical position.
- Insert the chosen drum into the body, and make sure that it is fully engaged in the body.

4.2 - USAGE AND TIPS

- Place a container to collect the preparation in front of the appliance.
- Run the appliance by turning the selector (a1) to speed "3" to slice and to speed "4" to grate.
- Place the food in the feed tube on the body and press down with the pusher (g2). **Never push the ingredients with your fingers or any other utensil.**
- To stop the appliance, turn the selector to "0" speed and wait for the appliance to come to a **complete stop**.
- Unlock the drum body in the reverse order of the assembly.
- Use the drums to :
 - Grate coarsely C (g4) / grate finely D (g5): carrots, celery, potatoes, cheese, etc.
 - Slice thickly A (g3): potatoes, carrots, cucumbers, apples, beetroot, etc.
 - Reibekuchen E (g6): potatoes, parmesan, etc.

5 - EXTRACTING JUICE FROM FRUITS AND VEGETABLES (DEPENDING ON MODEL)

ACCESSORIES USED :

- Assembled juice extractor (h).

5.1 - ASSEMBLING THE JUICE EXTRACTOR

- Place the filter (h3) in the middle of the juice collector (h4).
- Lock the lid: turn it anti-clockwise and lock the lid (h2) on the juice collector (h4) (closed padlock position).
- General locking: push the locking lever (h6) to closed padlock position.

5.2 - FITTING THE JUICE EXTRACTOR ON THE APPLIANCE

- Place the multi-function head (a3) in the horizontal position: press the button (a2) and manually lower the multi-function head (a3) until it locks (the button (a2) returns to its initial position).
- Unlock and remove the cover (a5) from the outlet (a4) by turning it anti-clockwise.
- Make sure that the appliance is switched off before locking the juice extractor (h).
- Lock the assembled juice extractor on the outlet (a4) by turning it clockwise, so as to have the outlet for the pouring spout aligned with the appliance.
- Fit the pouring spout (h5) on the collector (h4).

5.3 - USAGE AND TIPS

- Place a large glass under the pouring spout (h5).
- Run the appliance by turning the selector (a1) to speed "3".
- Cut the fruits and/or vegetables into pieces.
- Insert them down the feed tube in the lid (h2) push them slowly using the pusher (h1). **Never push the ingredients with your fingers or any other utensil.**
- Do not process 500 g of food more than 5 times continuously, without allowing your appliance to cool down completely.
- For best results, clean the filter after every 300 g of ingredients.
- **Important:** When the pulp collector is full, stop the appliance and empty the collector.
- To stop the appliance, turn the selector to "0" speed and wait for the appliance to come to a complete stop.
- **Wait until the rotary filter comes to a complete stop before removing the assembly from the appliance.**
- To remove the juice extractor, unlock it by turning it anti-clockwise.
- Place the locking lever (h6) in the open padlock position. Open the lid (open padlock position). You can then remove the filter (h3) to clean it and empty the collector (h4).

Tips :

- You can make juice from: carrots, tomatoes, apples, grapes, raspberries, etc.
- Peel fruits with thick skins; remove stones and the core of pineapples.
- It is not possible to extract juice from certain fruits and vegetables: bananas, avocado pears, blackberries, etc.
- You can prepare juices with different fruits and vegetables without having to clean the juice extractor every time, the flavours will not be mixed. Just run the extractor with a little water to rinse it between two different juices.
- Drink the juices immediately after preparation, and add lemon juice to keep them in the fridge for a few hours.

6 - ADJUSTING THE CORD LENGTH

For more comfortable use or for storage, you can reduce the cord length by pushing it inside the motor unit (a) via the opening on the rear (a7).

7 - FINELY CHOPPING SMALL QUANTITIES (DEPENDING MODEL)

ACCESSORY USED :

EN - Assembled grinder.

You can use the grinder to :

- Chop in a few seconds by pulsing: dried figs, dried apricots, etc.

Quantity / max time: 100g / 5s

This grinder is not designed for hard products like coffee beans or hard spices.

CLEANING

- Unplug the appliance.
- Do not immerse the motor unit (a) or the attachment (e) in water or under running water. Wipe them with a dry or slightly damp cloth.
- For easier cleaning, rinse the accessories quickly after use. Dismantle the mincer head assembly fully. **Handle the blades with care to prevent injury.**
- Wash, rinse and dry the accessories: they are dishwasher-safe, except for all the metal components in the mincer head: body (f1), feed screw (f2), blade (f3), screens (f4 and f5), nut (f6).
- The screens (f4) and (f5) as well as the blade (f3) must remain greased. Coat them with cooking oil.

Tips :

- In the event any of your accessories are coloured by food (carrots, oranges, etc.), rub with a cloth soaked in cooking oil and then clean them as usual.
- Blender jug (d): pour some hot water containing a few drops of washing up liquid into the blender. Close the lid. Place it on the appliance and pulse a few times. After removing it, rinse the bowl in running water and allow to dry (bowl upside down).

STORAGE

Do not store your appliance in a humid environment.

WHAT TO DO IF YOUR APPLIANCE DOES NOT WORK

If your appliance does not work, check:

- that it is plugged in correctly.
- that the accessories are correctly locked.
- that the safety cover (a5) is present and locked when the high-speed outlet (a4) is not used.
- that the multi-function head (a3) is locked horizontally.

Your appliance comes with a microprocessor that controls and analyses the operating power. If the load becomes too high, your appliance will stop automatically. To restart your appliance, turn the rotary button (a1) to the "0" position and remove some of your ingredients. Allow your appliance to cool down for a few minutes. You can then select the desired speed to complete your preparation.

Your appliance still does not work? Contact an authorised service centre (see the list in the service booklet).

HELPLINE:

If you have any product problems or queries, please contact our Customer Relations Team first for expert help and advice:

0845 602 1454 – UK

(01) 677 4003 – Ireland

DISPOSAL OF PACKAGING AND THE APPLIANCE



The packaging is comprised exclusively of materials that present no danger for the environment and which may therefore be disposed of in accordance with the recycling measures in force in your area.

For disposing of the appliance itself, please contact the appropriate service of your local authority.

EN

END-OF-LIFE ELECTRICAL OR ELECTRONIC PRODUCTS



Think of the environment!

i Your appliance contains valuable materials which can be recovered or recycled.

➔ Leave it at a local civic waste collection point.

ACCESSORIES

You can customise your appliance and obtain the following accessories from your usual retailer or an authorised service centre:

Stainless steel bowl Stainless steel bowl lid Kneader Mixer Balloon whisk Blender jug Juice extractor Grinder Attachment holder	Mincer head Vegetable slicer: <ul style="list-style-type: none"> - A: Slicer - C: Coarse grating - D: fine grating - E: reibekuchen Kit pasta Coulis attachment Pasta rolling mill
---	---

Caution: This booklet contains instructions for additional accessories. Please keep safe for future reference. You can purchase new or replacement items directly from Tefal Customer Relations.

RECIPES

CHANTILLY CREAM

Ingredients (for 6/8 people): 250 ml very cold liquid crème fraîche - 50g icing sugar.

Put the crème fraîche and the icing sugar in the stainless steel bowl fitted with the kneader and the lid. Run the appliance on speed 4 for two minutes, then on maximum speed for three and a half minutes.

MAYONNAISE

Ingredients: 1 egg yolk - 1 tablespoon mild mustard - 1 teaspoon wine vinegar - 250 ml olive or sunflower oil - salt and pepper.

Put the egg yolk, mustard, vinegar, salt and pepper in the stainless steel bowl fitted with the balloon whisk and the lid. Select speed 1. Run the whisk and begin to add the oil in a thin trickle. After 10 seconds, increase to maximum speed. Once the oil is incorporated into the mixture, run the whisk for a further 30 seconds.

Tip: Add a grated clove of garlic, if suitable for your recipe. For best results, all the ingredients should be at room temperature.

EN

WHITE BREAD

Ingredients (for one round loaf of 800 g): 500 g white bread flour - 300 ml lukewarm water - 10 g dried yeast (the type which does not need dissolving in water first) - 10 g salt.*

Put the flour, salt and dried yeast into the stainless steel bowl. Fit the kneader and the lid and run for a few seconds on speed 1. Add the lukewarm water through the opening in the lid. Knead for eight minutes. Allow the dough to rest at room temperature for around half an hour. Then work the dough by hand into a ball. Place the ball of dough on a buttered, floured baking sheet. Allow to rise for a second time at room temperature for about an hour. Preheat the oven to 240 °C. Make cuts on the top of the loaf with a sharp blade, and brush with lukewarm water. Put a small container full of water into the oven: this helps the bread to form a golden crust. Bake for 40 minutes at 240 °C.

Tip: Dried yeast should never come into direct contact with either sugar or salt as they prevent the yeast from acting.

SHORTCRUST PASTRY

Ingredients (for a tart base of 350 g): 200 g plain flour - 100 g softened butter - 50 ml water - one pinch salt.

Put the flour, butter and salt into the stainless steel bowl. Fit the kneader and the lid and run for a few seconds on speed 1. Add the lukewarm water while the appliance is running. Allow the appliance to run until the pastry forms a ball. Allow the pastry to rest in a cool place, covered with cling film, for at least an hour before rolling out and cooking.

BRIOCHE

Ingredients (for 6 people): 250 g white bread flour - 5 g salt - 25 g sugar - 100 g butter (left to soften at room temperature 1 hour before using) - 2 whole eggs and 1 egg yolk - 3 tablespoons lukewarm milk - 2 tablespoons water - 5 g dried yeast (type which does not need dissolving in liquid first).

Put the flour into the stainless steel bowl, and create two hollows: put the salt and the sugar in one, and the yeast, lukewarm milk and water in the other. The salt and yeast should not be added together because the yeast reacts badly to contact with salt. Add the eggs and egg yolk, and fit the kneader and lid. Select speed 1 and knead for 15 seconds, then on speed 2 for two minutes 45 seconds. Without stopping the appliance, incorporate the butter within one minute, which should not be too soft (leave it at room temperature for half an hour before using). Continue kneading for five minutes on speed 2, then five minutes on speed 3. Cover the dough and leave it to rise for two hours at room temperature, then work the dough vigorously by slapping it against the sides of the bowl. Cover the dough and leave to rise for a further two hours in the refrigerator; work the dough by hand again by slapping it against the sides of the bowl. Then cover with cling film and leave the dough to rise overnight in the refrigerator. The next day, butter and flour a brioche tin. Shape the dough into a ball. Place it into the tin and leave to rise in a warm place until the dough has filled the tin (takes two to three hours). Put it into the oven at 180 °C and leave to cook for 25 minutes.

Tip: Add chocolate chips or glacé fruit.

SAVOURY LOAF

Ingredients (for 6 people): 200 g plain flour - 4 eggs - 11g baking powder - 100 ml milk - 50 ml olive oil - 12 sun-dried tomatoes 200 g feta cheese - 15 pitted green olives - a touch of curry powder (optional) - salt and pepper.

Preheat the oven to 180 °C. Butter and flour a loaf tin. In the stainless steel bowl fitted with the mixer and the lid, mix together the flour, eggs and baking powder, starting on speed 1 then increasing to speed 3. Add the olive oil and the milk and mix for one and a half minutes. Reduce to speed 1 and add the dried tomatoes (cut into pieces), cubed feta, green olives (cut into pieces) and curry powder. Season. Pour the mixture into the tin and put into the oven for 30 to 40 minutes, depending on the oven. Pierce with a knife to check that the loaf is cooked.

Tip: Replace the feta with mozzarella and add a few chopped basil leaves.

MOIST RICH CHOCOLATE CAKE

Ingredients (for 8 people): 200 g good quality plain chocolate - 150 g caster sugar - 125 g plain flour - 125 g softened butter - 4 eggs - 200 ml liquid cream (whipping cream) - 100 g ground almonds (optional) - 1 sachet vanilla sugar or 1 teaspoon vanilla extract (optional) - 11g baking powder - 1 pinch salt - 24cm loose bottom non-stick cake tin.

EN

Preheat the oven to 180 °C. In a bain marie or in the microwave oven, melt the chocolate cut into pieces with 3 tablespoons of water. While stirring, add a tablespoon of the butter to give a smooth chocolate mixture. Allow to cool. Separate the egg yolks from the whites. Set the egg whites aside. Put the egg yolks, melted chocolate, cream, sugar, vanilla sugar, ground almonds and the rest of the butter in the stainless steel bowl fitted with the mixer and the lid. Run on speed 1 for 20 seconds to mix. Increase to speed 2 and incorporate the flour mixed with baking powder through the opening in the lid. Allow the appliance to run for around two minutes until a smooth dough is obtained. Set aside in a large bowl. Put the egg whites and the pinch of salt in the cleaned stainless steel bowl fitted with the balloon whisk. Whisk the whites on speed 5 for one and three-quarter minutes, then on maximum speed for 30 seconds. Using a spatula, carefully incorporate the beaten egg whites into the chocolate mixture. Pour into a buttered, floured cake tin. Cook in the oven at 180 °C for 25 minutes.

Tip: This cake is delicious served with crème anglaise or scoops of vanilla ice cream.

For more recipe ideas, please visit www.tefal.com

Wij danken u voor uw keuze van dit apparaat dat uitsluitend bestemd is voor de bereiding van voedsel, voor huishoudelijk gebruik.

OMSCHRIJVING

NL

<p>a - Motorblok</p> <p>a1 Elektronische Snelheidskeuzeschakelaar</p> <p>a2 Ontgrendelknop van de multifunctionele arm (a3)</p> <p>a3 Multifunctionele arm</p> <p>a4 Aansluiting voor hoge snelheid (blender/sapcentrifuge/maler)</p> <p>a5 Veiligheidskap</p> <p>a6 Aansluiting voor mixeraccessoires (kneedhaak, garde, klopper)</p> <p>a7 Snoerhaspel</p> <p>b - Assemblage van de mengkom</p> <p>b1 Roestvrijstalen mengkom</p> <p>b2 Deksel</p> <p>c - Mixeraccessoires</p> <p>c1 Kneedhaak</p> <p>c2 Klopper</p> <p>c3 Garde</p> <p>d - Mengbeker (afhankelijk van het model)</p> <p>d1 Kan</p> <p>d2 Deksel</p> <p>d3 Maatdop</p> <p>e - Hulpstuk voor het gebruik van diverse accessoires (afhankelijk van het model)</p>	<p>f - Kop gehaktmolen (afhankelijk van het model)</p> <p>f1 Metalen behuizing</p> <p>f2 Aanvoerschroef</p> <p>f3 Mes</p> <p>f4 Schijf met grote gaten</p> <p>f5 Schijf met kleine gaten</p> <p>f6 Moer</p> <p>f7 Stamper</p> <p>f8 Verwijderbaar blad</p> <p>g - Groentemolen (afhankelijk van het model)</p> <p>g1 Trommelbehuizing</p> <p>g2 Stamper</p> <p>g3 Accessoire voor plakken snijden A</p> <p>g4 Accessoire voor grof raspen C</p> <p>g5 Accessoire voor fijn raspen D</p> <p>g6 Accessoire voor reibekuchen (aardappelpannekoeken/soort rösti)</p> <p>h - Sapcentrifuge (afhankelijk van het model)</p> <p>h1 Stamper</p> <p>h2 Deksel</p> <p>h3 Roterende filter</p> <p>h4 Sapreservoir</p> <p>h5 Schenktoet</p> <p>h6 Vergrendeling</p>
--	---

VEILIGHEIDSVOORSCHRIFTEN

- Lees deze gebruiksaanwijzing zorgvuldig voordat u het apparaat in gebruik neemt: indien het apparaat niet in overeenstemming met de gebruiksaanwijzing wordt gebruikt, vervalt de aansprakelijkheid van de fabrikant.
- Dit apparaat is niet bedoeld om zonder hulp of toezicht te worden gebruikt door kinderen of andere personen indien hun fysieke, zintuiglijke of mentale vermogen hen niet in staat stelt dit apparaat op een veilige wijze te gebruiken, tenzij zij van tevoren instructies hebben ontvangen betreffende het gebruik van dit apparaat van een verantwoordelijke persoon. U dient toezicht te houden op kinderen om te voorkomen dat zij met het apparaat spelen.
- Controleer of de netspanning van uw apparaat overeenkomt met die van het elektriciteitsnet. **Bij aansluitingsfouten vervalt de garantie.**
- Uw apparaat is uitsluitend bestemd voor het bereiden van voedsel en voor huishoudelijk gebruik binnenshuis onder toezicht en op een hoogte van minder dan 2000m.
- Reinig de oppervlakken die in contact komen met het voedsel vóór het eerste gebruik (zie hoofdstuk „Gebruiksklaar maken” van deze gebruiksaanwijzing) en na elk gebruik (zie hoofdstuk „Reinigen”). Zie hoofdstuk „Reinigen” voor het

onderhoud en de reiniging van uw apparaat.

- Trek altijd de stekker van het apparaat uit het stopcontact indien het onbewaakt wordt achtergelaten en vóór montage, demontage of reiniging.
- Gebruik het apparaat niet als het niet goed werkt of beschadigd is. Neem contact op met een erkend servicecentrum (zie de lijst in het serviceboekje).
- Elk ander onderhoud dan reiniging en het normale onderhoud door de klant moet door een erkend servicecentrum worden uitgevoerd (zie de lijst in het serviceboekje).
- Plaats het apparaat, het netsnoer of de stekker niet in water of enige andere vloeistof.
- Laat het netsnoer niet binnen handbereik van kinderen hangen en laat het niet in de buurt liggen van of in aanraking komen met warme onderdelen van het apparaat, warmtebronnen of scherpe hoeken.
- Gebruik het apparaat niet als het netsnoer of de stekker is beschadigd. Laat deze onderdelen vervangen door een erkend servicecentrum (zie de lijst in het serviceboekje) om zeker te zijn van een veilige werking.
- Gebruik de accessoires niet in de magnetron.
- Gebruik omwille van uw eigen veiligheid alleen de voor uw apparaat bedoelde accessoires en onderdelen die verkrijgbaar zijn bij een erkend servicecentrum. Wees voorzichtig om het risico op verwondingen bij foutief gebruik van het apparaat te voorkomen.
- De messen (d, f, g) zijn vlijmscherp: wees voorzichtig dat u zich niet snijdt wanneer u de kom leegt, bij het monteren/demonteren van de messen op het accessoire, en tijdens het reinigen.
- Verwijder de mengbeker (d) of de sapcentrifuge (h) altijd voordat u op de ontgrendelknop (a2) van de multifunctionele arm (a3) drukt.
- Gebruik altijd de stamper (f7) met het accessoire van de kop van de gehaktmolen (f) om voedsel in de aanvoerbuis naar beneden te drukken. Gebruik hiervoor nooit uw vingers, vorken, lepels, messen of enig ander voorwerp.
- Raak nooit bewegende onderdelen aan. Wacht totdat het apparaat volledig tot stilstand is gekomen voordat u accessoires verwijdert.
- Raak de garde of deeghaak niet aan wanneer het apparaat in werking is.
- Zorg ervoor dat er geen lang haar, sjaals, stropdassen, enz. boven het apparaat hangen wanneer het apparaat in werking is.
- Steek nooit keukengerei (lepels, spatels, enz.) door de aanvoerbuis in de deksels (b2), (d2) en (h2) of in de trommelbehuizing (g1).
- Gebruik de kan (d1) nooit zonder het bijbehorende deksel (d2).
- Gebruik slechts één accessoire tegelijk.
- Vul de mengbeker nooit met een kokende vloeistof.
- Gebruik de mengbeker nooit leeg.
- Gebruik de mengbeker altijd met het bijbehorende deksel.
- Verwijder het deksel nooit voordat het mes volledig tot stilstand is gekomen.
- Giet altijd eerst de vloeibare ingrediënten in de mengbeker en voeg dan pas de vaste ingrediënten toe.

NL

NL

- Gebruik de mengkom (b1) en de mengbeker (d1) niet om eten in te vriezen, te koken of te steriliseren.
- Gebruik de sapcentrifuge niet als de roterende filter (h3) of het deksel (h2) zijn beschadigd of zichtbare barsten vertonen.
- Zet het apparaat UIT en trek de stekker uit het stopcontact voordat u de accessoires verwisselt of onderdelen aanraakt die bewegen tijdens het gebruik van het apparaat.
- Let goed op als u een warme vloeistof in de keukenmachine of de mixer giet: door een plotselinge opborreling kan de vloeistof uit het apparaat spatten.
- Dit apparaat is niet bestemd voor huishoudelijk of vergelijkbaar gebruik (dit gebruik valt niet onder de garantie) in de volgende gevallen:
 - In keukens van winkels, kantoren en andere werkomgevingen;
 - Door klanten in hotels, motels en andere residentiële omgevingen.
- **Zie de verschillende afbeeldingen en de paragrafen „monteren van de accessoires” en „demonteren van de accessoires” voor de montage en demontage van accessoires op het apparaat.**
- **Zie de gebruiksaanwijzing voor het instellen van de werkingssnelheid en -tijd voor elk accessoire.**
- Dit apparaat mag niet worden gebruikt door kinderen. Bewaar het apparaat en netsnoer buiten het bereik van kinderen.
- Kinderen mogen het apparaat niet gebruiken als speelgoed.
- Dit apparaat mag worden gebruikt door personen met een beperkt lichamelijk, zintuiglijk of geestelijk vermogen of zonder ervaring en kennis, op voorwaarde dat zij worden begeleid of instructies hebben ontvangen inzake het veilige gebruik van het apparaat en op de hoogte zijn van de risico's waaraan zij zijn blootgesteld.
- De garde (c3) en de accessoires voor „fijn raspen” en „grof raspen” (g5 en g4) mogen worden gebruikt door kinderen vanaf 8 jaar, op voorwaarde dat zij worden begeleid of instructies hebben ontvangen inzake het veilige gebruik van het apparaat en op de hoogte zijn van de risico's waaraan zij zijn blootgesteld. De reiniging en het onderhoud door de gebruiker mogen niet worden uitgevoerd door kinderen, tenzij ze minstens 8 jaar oud zijn en worden begeleid door een volwassene. Bewaar het apparaat en netsnoer buiten het bereik van kinderen jonger dan 8.

VÓÓR HET EERSTE GEBRUIK

- Was voor het eerste gebruik alle accessoires in water met afwasmiddel (behalve onderdeel (e): zie § Reinigen.) Afspoelen en afdrogen.
- Zet het apparaat op een vlakke, schone en droge ondergrond. Zorg ervoor dat de snelheidskeuzeschakelaar (a1) op "0" staat en steek de stekker in het stopcontact.
- Het apparaat kan op verschillende manieren worden opgestart:
 - **Onderbroken werking (impulsen):** zet de snelheidskeuzeschakelaar (a1) op "pulse". Door het gebruik van achtereenvolgende impulsen hebt u een betere controle bij het bereiden van bepaalde gerechten.
 - **Continuwerking:** zet de snelheidskeuzeschakelaar (a1) op de gewenste stand, van "1" tot "max.", afhankelijk van de voeding die u bereidt.

U kunt de stand van de snelheidskeuzeschakelaar tijdens de bereiding naar wens wijzigen.

- Zet de schakelaar (a1) op "0" om het apparaat stop te zetten.

Belangrijk: Het apparaat start alleen als de kap (a5) en de arm (a3) zijn vergrendeld. Het apparaat stopt onmiddellijk als u tijdens het gebruik de kap (a5) en/of de arm (a3) ontgrendelt. Vergrendel de kap en/of de arm, zet de snelheidskeuzeschakelaar (a1) op "0", en start het apparaat daarna op de gebruikelijke manier door de gewenste snelheid in te stellen.

Het apparaat bevat een microprocessor die de werking ervan regelt en analyseert. **Als het apparaat te zwaar wordt beladen, zal het automatisch worden stopgezet.** Om het apparaat opnieuw te starten, zet u de schakelaar (a1) op "0" en verwijderd u een gedeelte van de ingrediënten. Laat het apparaat enkele minuten afkoelen. Daarna kunt u de gewenste snelheid selecteren om de bereiding te voltooien.

NL

De paragraafnummers komen overeen met de nummers in de diagrammen.

1 - MENGEN/KNEDEN/KLOPPEN/EMULGEREN/KLUTSEN

U kunt max. 1,8 kg deeg bereiden met de roestvrijstalen mengkom (b1) en het deksel (b2), afhankelijk van de voeding.

GEBRUIKTE ACCESSOIRES:

- roestvrijstalen mengkom (b1).
- Deksel (b2)
- Deeghaak (c1) of klopper (c2) of garde (c3)

1.1 - MONTEREN VAN DE ACCESSOIRES

- Druk op de ontgrendelknop (a2) om de multifunctionele arm (a3) te ontgrendelen en til de arm op totdat hij vastklikt.
 - Plaats de roestvrijstalen mengkom (b1) en draai deze rechtsom tot de aanslag. Doe alle ingrediënten in de kom.
 - Plaats de gewenste accessoire (c1, c2 of c3) in de aansluiting (a6) en draai hem een kwartslag linksom om hem te vergrendelen in de arm.
 - Zet de multifunctionele arm (a3) in de horizontale stand: druk op de ontgrendelknop (a2) en druk de multifunctionele arm (a3) handmatig omlaag tot de aanslag (de ontgrendelknop (a2) staat dan weer in de oorspronkelijke stand).
 - Schuif het deksel (b2) op de roestvrijstalen mengkom (b1).
- Opmerking:** Het gebruik van het deksel is niet noodzakelijk. Het deksel voorkomt spatten.
- Zorg ervoor dat het deksel (a5) goed wordt vergrendeld (rechtsom) op de aansluiting voor hoge snelheid (a4).

1.2 - GEBRUIK

Begin door de snelheidskeuzeschakelaar (a1) in de gewenste stand te zetten, afhankelijk van het recept.

- Het apparaat begint direct te werken.
Tijdens de bereiding kunt u voedsel door het gat in het deksel (b2) toevoegen.
- Zet de schakelaar (a1) op "0" om het apparaat stop te zetten.

Tips:

- **Kneden**
- Gebruik de kneedhaak (c1) **op snelheid "1"**.
U kunt max. 500 g bloem kneden (bijv. witbrood, granenbrood, korstdeeg, kruimeldeeg, enz.)
- **Mengen**
- Gebruik de klopper (c2) **op snelheid "1" tot "max"**.
U kunt max. 1,8 kg licht deeg mengen (roombotercake, koekjes, enz.)
- **Gebruik de klopper (c2) nooit voor het kneden van zwaar deeg.**
- **Kloppen/emulgeren/klutsen**
- Gebruik de garde (c3) **op snelheid "1" tot "max"**.
- U kunt het volgende bereiden: mayonaise, aioli, sauzen, opgeklopt eiwit (max. 8 eiwitten), slagroom (max. 500 ml), enz.
- **Gebruik de garde (c3) nooit voor het kneden van zwaar deeg of het mengen van licht deeg.**

1.3 - DEMONTEREN VAN DE ACCESSOIRES

- **Wacht totdat het apparaat volledig tot stilstand is gekomen.**
- Verwijder het deksel (b2).
- Druk op de ontgrendelknop (a2) om de multifunctionele arm (a3) te ontgrendelen en til de arm op totdat hij vastklikt.
- Haal de accessoire (c1), (c2) of (c3) uit de multifunctionele arm door de accessoire in de arm te drukken en een kwartslag rechtsom te draaien.
- Verwijder de roestvrijstalen mengkom.

NL

2 - MIXEN/MENGEN (AFHANKELIJK VAN HET MODEL)

Afhankelijk van de aard van het voedsel, kunt u de blender (d) gebruiken voor het bereiden van max. 1,5 L dikke mengsels en 1,25 L vloeibare mengsels.

GEBRUIKTE ACCESSOIRES:

- Mengbeker (d)

2.1 - MONTEREN VAN DE ACCESSOIRES

- Zet de multifunctionele arm (a3) in de horizontale stand: druk op de ontgrendelknop (a2) en druk de multifunctionele arm (a3) handmatig omlaag tot de aanslag (de ontgrendelknop (a2) staat dan weer in de oorspronkelijke stand).
- Verwijder de veiligheidskap (a5) van de aansluiting voor hoge snelheid (a4) door hem linksom te draaien en van het apparaat te tillen.
- Zorg ervoor dat het apparaat is uitgeschakeld voordat u de blender (d) op het apparaat plaatst.
- Plaats de mengbeker (d) op de aansluiting (a4) door hem rechtsom te draaien.
- Doe de ingrediënten in de mengbeker en plaats het deksel (d2) met de doseerdop (d3) erop door hem linksom te draaien.

2.2 - GEBRUIK

- Begin door de snelheidskeuzeschakelaar (a1) in de gewenste stand te zetten, afhankelijk van het recept.
Gebruik de "pulse" stand voor een betere controle over het mengen en voor een fijner resultaat. Tijdens de bereiding kunt u voedsel toevoegen door het gat in de maatdop (d3).
- Zet de schakelaar (a1) op "0" om het apparaat stop te zetten.

Tips:

U kunt het volgende bereiden.

- fijn gepureerde soepen, veloutés, vruchtenmoes, milkshakes en cocktails.
- Vloeibaar beslag (pannenkoeken, beignets, clafoutis en puddingtaart)
- Als de ingrediënten aan de wand van de mengkom blijven plakken tijdens het mengen, zet het apparaat dan stop. Verwijder de blender en duw het voedsel naar beneden. Plaats de blender terug op het apparaat en ga verder met de bereiding.

2.3 - DEMONTEREN VAN DE ACCESSOIRES

- Wacht totdat het apparaat volledig tot stilstand is gekomen voordat u de blender verwijdert door hem linksom te draaien, en plaats vervolgens de veiligheidskap (a5) op het contact (a4) (rechtsom).

3 - MALEN (AFHANKELIJK VAN HET MODEL)

GEBRUIKTE ACCESSOIRES:

- Hulpstuk voor het gebruik van diverse accessoires (e)
- Geassembleerde kop van de gehaktmolen (f)

3.1 - AANBRENGEN VAN DE GEHAKTMOLEN

- Druk op de ontgrendelknop (a2) om de multifunctionele arm (a3) te ontgrendelen en til de arm op totdat hij vastklikt.
- Plaats de accessoire (e) en draai deze linksom zodat de aansluiting op een lijn staat met het apparaat.
- Plaats de multifunctionele arm (a3) in de horizontale stand door nogmaals op de knop (a2) te drukken.

3.2 - MONTEREN VAN DE KOP VAN DE GEHAKTMOLEN

- Houd de behuizing (f1) vast aan de aanvoerbuis, met de brede kant van de opening naar boven gericht.
- Plaats de aanvoerschroef (f2) (met de lange as naar beneden) in de behuizing (f1).
- Plaats het mes (f3) op de korte as die uit de aanvoerschroef (f2) steekt met het snijgedeelte naar buiten gericht.
- Plaats de gewenste schijf (f4 of f5) op het mes (f3), door de twee uitsteeksels op een lijn te brengen met de ribbels op de behuizing (f1).
- Draai de moer (f6) rechtsom in de behuizing (f1) zonder deze te vergrendelen. Controleer de assemblage. Er mag geen speling op de as zitten, en de as moet niet zelfstandig kunnen ronddraaien. Is dit wel het geval, herhaal dan de procedure voor de assemblage.

3.3 - KOP VAN DE GEHAKTMOLEN OP HET APPARAAT PLAATSEN

- Als u voor de aansluiting (e) van de accessoire staat, houd dan de geassembleerde kop van de gehaktmolen (f) iets naar rechts gericht zodat de twee bajonetaansluitingen op de gehaktmolen op een lijn staan met de twee ribbels in de accessoire. Duw de kop van de gehaktmolen op de accessoire en draai de kop naar links tot de aanslag met de aanvoerbuis in de verticale stand.
- Plaats het verwijderbare blad (f8) op de aanvoerbuis.

3.4 - GEBRUIK, TIPS EN DEMONTEREN

- Zorg ervoor dat de veiligheidskap (a5) goed wordt vergrendeld (rechtsom) op de aansluiting voor hoge snelheid (a4).
- Zet een bak voor het apparaat om de bereiding in op te vangen.
- Zet het apparaat aan door de snelheidskeuzeschakelaar (a1) op snelheid "3" of "4" in te stellen.
- Duw de stukken vlees een voor een in de aanvoerbuis naar beneden met de stamper (f7). **Duw de ingrediënten nooit met uw vingers of enig ander voorwerp naar beneden in de aanvoerbuis.**
- Om het apparaat stop te zetten draait u de snelheidskeuzeschakelaar naar "0" en wacht totdat het apparaat volledig tot stilstand is gekomen.
- Ontgrendel de kop van de gehaktmolen in de tegengestelde volgorde van de montage.

Tips:

- Bereid alle ingrediënten voor die in de gehaktmolen worden geplaatst (botten, kraakbeen en zenuwen van het vlees verwijderen en het vlees in stukken snijden van ongeveer 2 x 2 cm).
- Zorg ervoor dat het vlees helemaal is ontdooid.
- Aan het einde van de bereiding kunt u enkele stukjes brood toevoegen via de aanvoerbuis om het al het vlees uit het apparaat te verwijderen.

4 - RASPEN/SNIJDEN (AFHANKELIJK VAN HET MODEL)

GEBRUIKTE ACCESSOIRES:

- Hulpstuk voor het gebruik van diverse accessoires (e)
- Geassembleerde groentemolen (g)
- Accessoires (Afhankelijk van het model)

4.1 - MONTEREN VAN DE ACCESSOIRES

- Druk op de ontgrendelknop (a2) om de multifunctionele arm (a3) te ontgrendelen en til de arm op totdat hij vastklikt.
- Plaats de accessoire (e) en draai deze linksom zodat de aansluiting op een lijn staat met het apparaat.
- Plaats de multifunctionele arm (a3) in de horizontale stand door nogmaals op de knop (a2) te drukken.
- Zorg ervoor dat de veiligheidskap (a5) goed wordt vergrendeld (rechtsom) op de aansluiting voor hoge snelheid (a4).
- Als u voor de aansluiting (e) van de accessoire staat, houd dan de accessoire (g) iets naar rechts

gericht en zodat de twee bajonetaansluitingen op de trommelbehuizing op een lijn staan met de twee ribbels in de accessoire. Duw de accessoire in de accessoire en draai de accessoire naar links tot de aanslag met de aanvoerbuis in de verticale stand.

- Plaats de gewenste accessoire in de behuizing en zorg ervoor dat deze goed stevig in de behuizing vast zit.

NL

4.2 - GEBRUIK EN TIPS

- Zet een bak voor het apparaat om de bereiding in op te vangen.
- Zet het apparaat aan door de snelheidskeuzeschakelaar (a1) op snelheid "3" om plakken te snijden en op "4" om te raspen.
- Duw het voedsel in de aanvoerbuis naar beneden met de stamper (g2). **Duw de ingrediënten nooit met uw vingers of enig ander voorwerp naar beneden.**
- Om het apparaat stop te zetten draait u de snelheidskeuzeschakelaar naar "0" en wacht u totdat het apparaat **volledig tot stilstand** is gekomen.
- Ontgrendel de trommelbehuizing in de tegengestelde volgorde van de montage.
- Gebruik de accessoires voor het volgende:
 - Grof raspen C (g4) / fijn raspen D (g5): wortels, selderij, aardappel, kaas, enz.
 - Dikke plakken snijden A (g3): aardappel, wortel, komkommer, appel, rode biet, enz.
 - Reibekuchen E (g6): aardappels, Parmezaan, enz.

5 - SAP PERSEN UIT VRUCHTEN EN GROENTEN (AFHANKELIJK VAN HET MODEL)

GEBRUIKTE ACCESSOIRES:

- Geassembleerde sapcentrifuge (h).

5.1 - MONTEREN VAN DE SAPCENTRIFUGE

- Plaats het filter (h3) op het sapreservoir (h4).
- Vergrendel het deksel: draai hem linksom en vergrendel het deksel (h2) op het sapreservoir (h4) (vergrendelde positie).
- Algemene vergrendeling: duw de hendel (h6) naar de vergrendelde positie.

5.2 - SAPCENTRIFUGE OP HET APPARAAT PLAATSEN

- Zet de multifunctionele arm (a3) in de horizontale stand: druk op de ontgrendelknop (a2) en druk de multifunctionele arm (a3) handmatig omlaag tot de aanslag (de ontgrendelknop (a2) staat dan weer in de oorspronkelijke stand).
- Ontgrendel de veiligheidskap (a5) en verwijder hem van de aansluiting (a4) door hem linksom te draaien.
- Zorg ervoor dat het apparaat is uitgeschakeld voordat u de sapcentrifuge (h) plaatst.
- Vergrendel de geassembleerde sapcentrifuge op de aansluiting (a4) door hem rechtsom te draaien, zodat de schenkruit op een lijn staat met het apparaat.
- Plaats de schenkruit (h5) op het sapreservoir (h4).

5.3 - GEBRUIK EN TIPS

- Zet een groot glas onder de schenkruit (h5).
- Zet het apparaat aan door de snelheidskeuzeschakelaar (a1) op snelheid "3" in te stellen.
- Snijd de vruchten en/of groente in stukken.
- Plaats de vruchten en/of groente in de aanvoerbuis in het deksel (h2) en duw ze langzaam naar beneden met de stamper (h1). **Duw de ingrediënten nooit met uw vingers of enig ander voorwerp naar beneden.**
- Verwerk 500 g voedsel niet meer dan 5 keer continue, zonder het apparaat volledig te laten afkoelen. U verkrijgt het beste resultaat als u het filter na elke 300 g ingrediënten reinigt.
- **Belangrijk:** Wanneer het pulpreservoir vol is, dient u het apparaat stop te zetten en het reservoir te legen.
- Om het apparaat stop te zetten, draait u de snelheidskeuzeschakelaar naar "0" en wacht u totdat het apparaat volledig tot stilstand is gekomen.
- **Wacht totdat de roterende filter volledig tot stilstand is gekomen voordat u de assemblage van het apparaat haalt.**

- Verwijder de sapcentrifuge door hem linksom te draaien.
- Zet de vergrendeling (h6) in de ontgrendelde positie. Open het deksel (ontgrendelde positie). U kunt dan het filter (h3) verwijderen om hem te reinigen en het reservoir te legen (h4).

Tips:

- U kunt sap maken van: wortels, tomaten, appels, druiven, frambozen, enz.
- Schil fruit met een dikke schil; verwijder pitten, klokhuisen en het hart van ananas.
- Het is niet mogelijk om sap te persen uit bepaalde vruchten en groenten zoals bananen, avocado's, bramen, enz.
- U kunt sap maken met diverse vruchten en groenten zonder dat u de sapcentrifuge telkens hoeft te reinigen; de smaken zullen zich niet vermengen. U hoeft enkel een beetje water in het apparaat te gieten om het apparaat schoon te spoelen tussen het maken van twee verschillende soorten sap in.
- Drink het sap direct na de bereiding, en voeg citroensap toe om het sap enkele uren in de koelkast te kunnen bewaren.

NL

6 - AANPASSEN VAN DE SNOERLENGTE

Voor een comfortabeler gebruik van het apparaat of het opbergen ervan, kunt u de lengte van het snoer verlagen door het snoer in de motorblok (a) te duwen door de opening aan de achterkant (a7).

7 - FIJN HAKKEN VAN KLEINE HOEVEELHEDEN (AFHANKELIJK VAN HET MODEL)

GEBRUIKTE ACCESSOIRES:

- Geassembleerde maler.

U kunt de maler gebruiken om:

- enkele seconden te hakken met impulsen: gedroogde vijgen, gedroogde abrikozen, enz.

Hoeveelheid/max. duur: 100 g / 5 s

Deze maler is niet geschikt voor harde producten zoals koffiebonen.

REINIGING

- Haal de stekker van het apparaat uit het stopcontact:
- Dompel het motorblok (a) of de accessoire (e) nooit onder in water en houd ze niet onder de kraan. Droog ze af met een droge of licht bevochtigde doek.
- Spoel de accessoires meteen na gebruik af om ze makkelijker te kunnen reinigen. Demonteer de kop van de gehaktmolen helemaal. **Wees voorzichtig met het mes om letsel te voorkomen.**
- Was de accessoires af, spoel ze af en droog ze af. Ze kunnen ook in de vaatwasser, behalve alle metalen onderdelen van de kop van de gehaktmolen: behuizing (f1), aanvoerschroef (f2), mes (f3), schijven (f4 en f5), moer (f6).
- De schijven (f4) en (f5) en het mes (f3) moeten worden ingevet. Vet ze in met slaolie.

Tips:

- Mochten uw accessoires door contact met voedingsmiddelen (wortelen, sinaasappelen, enz.) verkleuren, wrijf de verkleurde delen dan in met een stukje keukenpapier met slaolie en maak het onderdeel vervolgens op de gebruikelijke manier schoon.
- Mengbeker (d): giet warm water met een paar druppels afwasmiddel in de blender. Sluit het deksel. Plaats het deksel op het apparaat en geef een paar impulsen. Verwijder de mengbeker van het apparaat, spoel hem af en laat hem drogen (op zijn kop).

OPBERGEN

Berg het apparaat niet op in een vochtige omgeving.

WAT TE DOEN ALS UW APPARAAT NIET WERKT?

Als het apparaat niet werkt, controleer dan:

- of het apparaat goed is aangesloten.

- of de accessoires juist zijn aangebracht.
- of de veiligheidskap (a5) is aangebracht en vergrendeld wanneer de aansluiting voor hoge snelheid (a4) niet in gebruik is.
- of de multifunctionele arm (a3) horizontaal is vergrendeld.

NL

Het apparaat bevat een microprocessor die de werking ervan regelt en analyseert. Als het apparaat te zwaar wordt beladen, zal het automatisch worden stopgezet. Om het apparaat opnieuw te starten, zet u de schakelaar (a1) op "0" en verwijdert u een gedeelte van de ingrediënten. Laat het apparaat enkele minuten afkoelen. Daarna kunt u de gewenste snelheid selecteren om de bereiding te voltooien.

Werkt het apparaat nog steeds niet? Neem contact op met een erkend servicecentrum (zie de lijst in het serviceboekje).

WEGGOOIEN VAN HET APPARAAT EN HET VERPAKKINGSMATERIAAL



De verpakking bestaat uitsluitend uit voor het milieu ongevaarlijke materialen. U kunt ze dus conform de geldende recyclingvoorschriften weggooien.

Win voor het weggooien van het apparaat zelf inlichtingen in bij de betreffende gemeentelijke dienst in uw woonplaats.

ELEKTRISCHE OF ELEKTRONISCHE PRODUCTEN AAN HET EINDE VAN DE LEVENSDUUR



Wees zuinig op het milieu!

i Uw apparaat bevat veel materialen die geschikt zijn voor hergebruik of recycling.

➡ Breng het naar een verzamelpunt voor de juiste verwerking ervan.

ACCESSOIRES

U kunt uw apparaat aanpassen en bij uw winkelier of een erkend servicecentrum de volgende accessoires kopen.

Roestvrijstalen mengkom Deksel roestvrijstalen mengkom Deeghaak Klopper Garde Mengbeker Sapcentrifuge Maler	Hulpstuk voor het gebruik van diverse accessoires Kop gehaktmolen Groentemolen <ul style="list-style-type: none"> - A: plakken snijden - C: grof raspen - D: fijn raspen - E: reibekuchen (aardappelpannekoeken/ soort rösti) Accessoires voor diverse soorten pasta Accessoire voor het maken van pastasaus Wals voor het maken van diverse soorten pasta
--	--

Let op: u kunt uitsluitend accessoires aanschaffen op vertoon van de gebruiksaanwijzing van uw apparaat.

RECEPTEN

SLAGROOM

Ingrediënten (voor 6/8 personen): 25 cl koude vloeibare room - 50 g poedersuiker.

Doe de room en de poedersuiker in de roestvrijstalen kom, voorzien van de garde en het deksel. Laat 2 minuten draaien op snelheid 4 en dan 3 minuten en 30 seconden op maximale snelheid.

MAYONAISE

Ingrediënten: 1 eidooier - 1 eetlepel mosterd - 1 theelepels azijn - 25 cl olie - peper en zout.

Doe de eidooier, de mosterd, de azijn, het zout en de peper in de roestvrijstalen kom, voorzien van de garde en het deksel. Kies snelheid 1. Laat de garde werken en voeg de olie in een klein straaltje toe. Ga na 10 seconden over op maximale snelheid. Laat de garde nog 30 seconden werken nadat de olie in het mengsel is opgenomen.

Tip: Breng eventueel op smaak met een geraspt teentje knoflook, afhankelijk van het gebruik.

NL

WIT BROOD

Ingrediënten (voor een brood van 800 g): 500 g meel - 300 ml lauw water - 10 g bakkergist - 10 g zout.

Doe het meel, het zout en de bakkergist in de roestvrijstalen kom. Plaats de kneedarm en het deksel en laat enkele seconden draaien op snelheid 1. Giet het lauwe water door de opening in het deksel. Kneed 8 minuten. Laat het deeg ongeveer een half uur rusten bij kamertemperatuur. Kneed het deeg vervolgens met de hand en maak er een bal van die u op de met boter ingevette en met bloem bestrooide ovenplaat legt. Laat ongeveer 1 uur rijzen op een warme plaats. Verwarm de oven voor op 240° C. Maak inkepingen in de bovenkant van het brood met een scheermesje en bestrijk met een penseel met lauw water. Zet ook een kommetje met water in de oven. Zo krijgt u een mooie, goudkleurige korst. Zet 40 minuten in een oven van 240° C.

Tip: De bakkergist mag nooit rechtstreeks in contact komen met de suiker of het zout, want dit verhindert de werking van de gist.

KRUMELDEEG

Ingrediënten (voor een taartbodem van 350 g): 200 g bloem - 100 g boter - 5 cl water - een snuffje zout.

Doe de bloem, de boter en het zout in de roestvrijstalen kom. Plaats de kneedarm en het deksel en laat het apparaat enkele seconden draaien op snelheid 1. Voeg dan het water toe zonder het apparaat uit te schakelen. Laat draaien totdat het deeg een mooie bal wordt. Laat minimaal 1 uur rusten in de koelkast, omwikkeld in huishoudfolie, voordat u het uitrolt en bakt.

BRIOCHE

Ingrediënten (voor 6 personen): 250 g bloem - 5 g zout - 25 g suiker - 100 g boter - 2 hele eieren en 1 eidooier - 3 eetlepels lauwe melk - 2 eetlepels water - 5 g bakkergist.

Doe de bloem in de roestvrijstalen kom en maak twee kuiltjes: doe in het ene het zout en giet in het andere de gist, de suiker, de lauwe melk en het water. Houd zout en gist gescheiden, want gist reageert slecht in contact met zout. Doe de eieren erbij en zet de kneedarm en het deksel op hun plaats. Kies snelheid 1 en kneed 15 seconden. Laat dan 2 minuten 45 seconden kneden op snelheid 2. Voeg tijdens het kneden de niet te zachte boter toe (laat de boter een halfuur op kamertemperatuur komen) en laat nog 5 minuten kneden op snelheid 2 en vervolgens 5 minuten op snelheid 3. Dek het deeg af en laat het twee uur rijzen bij kamertemperatuur. Kneed het dan krachtig met de hand en sla het tegen de kom. Dek af en laat nogmaals twee uur rijzen in de koelkast. Kneed het deeg met de hand en sla het tegen de kom. Dek het af met huishoudfolie en laat het een nacht rijzen in de koelkast. Vet de volgende dag een briochevorm in met boter en bestrooi met bloem. Maak een bol van het deeg. Leg de bol in de vorm en laat deze op een warme plaats rijzen tot hij de vorm heeft gevuld (2 tot 3 uur). Zet in een oven van 180° C en laat 25 minuten bakken.

Tip: Voeg stukjes chocolade of gekonfijte vruchten toe.

HARTIGE CAKE

Ingrediënten (voor 6 personen): 200 g bloem - 4 eieren - 11 g gist 10 cl melk - 5 cl olijfolie - 12 zongedroogde tomaten - 200 g feta 15 ontpitte groene olijven - 1 mespuntje curry (optie) - peper, zout.

Verwarm de oven voor op 180° C. Beboter een cakevorm en bestrooi met bloem. Meng de bloem, de eieren en de gist in de roestvrijstalen kom, voorzien van de kneeder en het deksel. Begin op snelheid 1

en verhoog tot snelheid 3. Giet er de olijfolie en de koude melk bij en meng 1 minuut en 30 seconden. Ga naar snelheid 1 en voeg de gedroogde tomaten, de feta, de groene olijven (in stukjes gesneden), curry, zout en peper toe. Giet het mengsel in de cakevorm en bak 30 tot 40 minuten in de oven, afhankelijk van het type oven. Prik in de cake om te controleren of deze klaar is.

Tip: Vervang de feta door mozzarella en doe er enkele fijngehakte blaadjes basilicum bij.

NL

MOELLEUX VAN CHOCOLADE

Ingrediënten (voor 8 personen): 200 g pure bakchocolade - 150 g poedersuiker - 125 g bloem - 125 g zachte boter - 4 eieren - 20 cl vloeibare room - 100 g amandelpoeder (optie) - 1 zakje vanillesuiker - 1 zakje gist - 1 snufje zout.

Verwarm de oven voor op 180° C. Laat de in stukken gesneden chocolade au bain-marie of in de magnetron smelten met 3 eetlepels water. Voeg er langzaam en al roerend een beetje boter bij om de chocolade glad te maken. Laat een beetje afkoelen. Scheid de eidooiers van de eiwitten. Zet het eiwit opzij. Doe de eidooiers, de gesmolten chocolade, de room, de rest van de boter, de suiker, de vanillesuiker en het amandelpoeder in de roestvrijstalen kom, voorzien van de kneder en het deksel. Laat 20 seconden draaien op snelheid 1 om alles te mengen. Ga naar snelheid 2 en voeg de met gist gemengde bloem toe via de opening in het deksel. Laat ongeveer 2 minuten draaien totdat het deeg mooi glad is. Schep over in een grote kom. Giet het eiwit met een snufje zout in de afgewassen roestvrijstalen kom, voorzien van de garde. Klop het eiwit gedurende 1 minuut en 45 seconden stevig op snelheid 5 en laat vervolgens 30 seconden werken op maximale snelheid. Schep het opgeklopte eiwit voorzichtig met een spatel door het chocolademengsel. Giet in een met boter ingevette en met bloem bestrooide springvorm. Zet 25 minuten in een oven van 180° C.

Tip: Deze taart is heerlijk met crème anglaise of bolletjes vanille-ijs.

Tack för att du har valt denna apparat som endast är avsedd för tillredning av livsmedel inomhus, och är för hushållsbruk.

BESKRIVNING

<p>a - Motorenhet</p> <p>a1 Elektroniskt motorhastighetsreglage</p> <p>a2 Upplåsningsknapp för multifunktionsenheten (a3)</p> <p>a3 Multifunktionsenhet</p> <p>a4 Snabbfäste (mixerbägare/centrifug/hackare)</p> <p>a5 Säkerhetslucka</p> <p>a6 Fäste för blandningstillbehör (degkrok, ballongvisp, blandare)</p> <p>a7 Sladdhållare</p> <p>b - Skål</p> <p>b1 Rostfri skål</p> <p>b2 Lock</p> <p>c - Blandningstillbehör</p> <p>c1 Degkrok</p> <p>c2 Blandare</p> <p>c3 Ballongvisp</p> <p>d - Mixerbägare (beror på modellen)</p> <p>d1 Mixerbägare</p> <p>d2 Lock</p> <p>d3 Plugg</p> <p>e - Tillbehörshållare (beroende på modell)</p>	<p>f - Kvarn (beror på modellen)</p> <p>f1 Metallkropp</p> <p>f2 Skruv</p> <p>f3 Kniv</p> <p>f4 Hålskiva med stora hål</p> <p>f5 Hålskiva med små hål</p> <p>f6 Skruvring</p> <p>f7 Matare</p> <p>f8 Bricka</p> <p>g - Grönsaksskärare (beror på modellen)</p> <p>g1 Trummagasin</p> <p>g2 Matare</p> <p>g3 Trumma A för skivor</p> <p>g4 Trumma C för grov rivning</p> <p>g5 Trumma D för fin rivning</p> <p>g6 Trumma E för potatispannkakor</p> <p>h - Centrifug (beror på modellen)</p> <p>h1 Matare</p> <p>h2 Lock</p> <p>h3 Roterande filter</p> <p>h4 Uppsamlingskäril</p> <p>h5 Hällpip</p> <p>h6 Låsspak</p>
--	--

SV

SÄKERHETSANVISNINGAR

- Läs bruksanvisningen noga innan du använder apparaten första gången och behåll den: Tillverkaren fransäger sig alltansvar för användning som inte överensstämmer med bruksanvisningen.
- Apparaten är inte avsedd att användas av personer (inklusive barn) med funktionsnedsättningar (fysiska, intellektuella eller sensoriska), eller av personer som inte har kunskap om eller erfarenhet av hur apparaten används. Undantag kan göras om personerna övervakas eller om de får instruktionergällande apparatens användning av någon som är ansvarig för deras säkerhet. Barn ska hållas under uppsikt så att de inte leker med apparaten.
- Kontrollera att den spänning som anges på apparaten överensstämmer med den lokala nätspänningen. Samtliga inkopplingsfel upphäver garantin.
- Apparaten är endast avsedd för hemmabruk för matlagning under uppsikt inomhus och vid en höjd över havet på under 2 000 m.
- Rengör de ytor som kommer i kontakt med livsmedel före den första användningen, enligt kapitlet Igångsättning i detta dokument, och efter varje användning, enligt kapitlet Rengöring. Se kapitlet Rengöring för information om underhåll och rengöring av apparaten.

- Koppla alltid bort apparaten från strömkällan om den ska lämnas obevakad och före montering, demontering eller rengöring.
- Använd inte apparaten om den inte fungerar korrekt eller om den är skadad. Vänd dig i så fall till ett auktoriserat servicecenter (se listan i servicehäftet).
- Alla åtgärder, med undantag för rengöring och sedvanligt underhåll av apparaten, måste utföras av ett auktoriserat servicecenter (se listan i servicehäftet).
- SV** • Sänk aldrig ned apparaten, sladden eller kontakten i vatten eller annan vätska.
- Se till att sladden är utom räckhåll för barn, samt att den inte är i närheten av eller i kontakt med apparatens varma delar, annan värmekälla eller vass kant.
- Använd inte apparaten om sladden eller kontakten är skadade. För att undvika alla risker, låt ett auktoriserat servicecenter (se listan i servicehäftet) byta ut delarna.
- Placera inte tillbehören i en mikrovågsugn.
- Av säkerhetsskäl ska endast tillbehör och reservdelar avsedda för den här apparaten användas (sålda av ett auktoriserat servicecenter).
- Var uppmärksam på riskerna för kroppsskada vid felaktig användning av apparaten.
- Knivarna (d, f, g) är mycket vassa: Var försiktig när du hanterar dem för att undvika att skada dig när du tömmer skålen, monterar/demonterar knivarna på/från tillbehöret samt rengör apparaten.
- Ta alltid loss mixerbägaren (d) eller centrifugen (h) innan du trycker på upplåsningsknappen (a2) till multifunktionsenheten (a3).
- Använd alltid mataren (f7) för att föra ner livsmedlen i röret till kvarnen (f), använd aldrig fingrarna, en gaffel, sked, kniv eller något annat föremål.
- Rör aldrig vid apparatens rörliga delar och vänta tills den har stannat helt innan du tar loss tillbehören.
- Vidrör inte visparna eller degkrokarna (c) när apparaten är igång.
- Se till att inte långt hår, scarfar, slipsar osv. hänger över apparaten när den är igång.
- För aldrig in köksredskap (t.ex. skedar, spatlar) i röret i locket (b2), (d2) eller (h2) eller itrummagasinet (g1).
- Kör aldrig mixerbägaren (d1) utan lock (d2).
- Använd endast ett tillbehör i sänder.
- Fyll aldrig mixerbägaren med kokande vätska.
- Kör inte apparaten med mixerbägaren tom.
- Använd alltid mixerbägaren tillsammans med locket.
- Ta aldrig loss locket innan apparaten har stannat helt.
- Tillsätt alltid ingredienser i vätskeform före ingredienser i fast form i mixerbägaren.
- Använd inte skålarna (b1, d1) som allmänna köksredskap (för infrysning, tillagning, sterilisering).
- Använd inte centrifugtillbehöret om det roterande filtret (h3) eller

skyddslocket (h2) uppvisar skador eller synliga sprickor.

- Stäng av apparaten och dra ur kontakten innan du byter tillbehör eller hanterar rörliga delar.
- Var försiktig om het vätska hälls in i matberedaren eller blandaren eftersom det finns en risk för att stänker ut ur apparaten om den plötsligt kokar.
- Den här apparaten är inte avsedd att användas vid följande typer av hushållstillämpningar och liknande tillämpningar (sådan användning omfattas inte av garantin):
 - I köksområdet i butiker, kontor eller andra arbetsmiljöer.
 - På bondgårdar.
 - Av kunderna på hotell, motell och i andra liknande boendemiljöer.
 - I miljöer av typen Bed and Breakfast.
- **Se de olika figurerna och avsnitten Montera tillbehören och Ta loss tillbehören för information om hur du monterar och demonterar tillbehören på/från apparaten.**
- **Se bruksanvisningen för information om hur du ställer in hastigheten och funktionstiden för varje tillbehör.**
- Apparaten får inte användas av barn. Förvara apparaten och tillhörande sladd utom räckhåll för barn.
- Barn får inte använda apparaten som leksak.
- Apparaten får användas av personer med funktionsnedsättningar (fysiska, intellektuella eller sensoriska), eller av personer som inte har tillräcklig kunskap om eller erfarenhet av hur apparaten används, förutsatt att personerna övervakas eller får instruktionergällande apparatens användning under säkra förhållanden och förstår de möjliga riskerna ordentligt.
- Visptillbehöret (c3) och trummorna Riva fint och Riva grovt (g5 och g4) får användas av barn som är minst 8 år gamla, förutsatt att de övervakas eller får instruktioner gällande apparatens användning under säkra förhållanden och förstår de möjliga riskerna ordentligt. Rengöring och underhåll utfört av användaren får inte utföras av barn, annat än om de är minst 8 år gamla och övervakas av en vuxen. Förvara apparaten och tillhörande sladd utom räckhåll för barn som är under 8 år gamla.

SV

FÖRSTA ANVÄNDNINGEN

- Diska alla tillbehör noggrant med vatten och handdiskmedel innan du använder apparaten första gången (utom adaptorn (e): se avsnittet Rengöring). Skölj och torka dem.
- Placera apparaten på en plan, ren och torr yta, kontrollera att motorreglaget (a1) är i position "0" och sätt sedan i kontakten.
- Det finns flera alternativ för att starta apparaten:
 - **Oregelbunden körning (pulse):** Vrid motorreglaget (a1) till positionen "pulse" stegvis för att få bättre kontroll över tillredningen.
 - **Kontinuerlig körning:** Vrid motorreglaget (a1) till önskad position från "1" till "max", efter önskad tillredning.

Du kan ändra inställningen under tillredningen.

- Vrid tillbaka reglaget (a1) till "0" för att stanna apparaten.

Viktigt: Apparaten kan bara startas om säkerhetsluckan (a5) och multifunktionsenheten (a3) är låsta. Om du öppnar säkerhetsluckan (a5) och/eller multifunktionsenheten (a3) när apparaten är

igång, stannar den direkt. Lås säkerhetsluckan och/eller multifunktionsenheten igen, för tillbaka motorreglaget (a1) till position "0" och fortsätt sedan på normalt sätt för att starta apparaten genom att välja önskad hastighet.

Denna apparat är utrustad med en mikroprocessor som styr och analyserar köreffekten. **Vid alltför stor belastning stängs apparaten av automatiskt.** För att starta apparaten igen för du tillbaka motorreglaget (a1) till position "0" och avlägsnar en del av ingredienserna. Låt apparaten vila några minuter. Du kan sedan välja önskad hastighet för att slutföra tillredningen.

Numren på avsnitten överensstämmer med numren på bilderna.

SV

1 - BLANDA/KNÅDA/VISPA

Beroende på livsmedlens egenskaper kan du bereda upp till 1,8 kg deg med hjälp av den rostfria skålen (b1) och locket (b2).

TILLBEHÖR SOM ANVÄNDS:

- Rostfri skål (b1).
- Lock (b2)
- Degkrok (c1) eller blandare (c2) eller ballongvisp (c3)

1.1 - MONTERA TILLBEHÖREN

- Tryck på knappen (a2) för att låsa upp multifunktionsenheten (a3) och vicka upp den tills det tar stopp.
- Sätt fast den rostfria skålen (b1) (medurs) på apparaten och tillsätt ingredienserna.
- För in önskat tillbehör (c1, c2 eller c3) i fästet (a6), tryck fast det och vrid ett kvarts varv moturs för att låsa fast tillbehöret på plats.
- För tillbaka multifunktionsenheten (a3) i horisontalläge: tryck på knappen (a2) och sänk multifunktionsenheten (a3) manuellt tills den låses på plats (knappen (a2) ska återgå till ursprungspositionen).
- Skjut in locket (b2) över den rostfria skålen (b1).

OBS! Du måste inte använda locket. Det förhindrar att livsmedel stänker eller slungas över kanten.

- Kontrollera att säkerhetsluckan (a5) har låsts fast (medurs) på snabbfästet (a4).

1.2 - STARTA APPARATEN

Starta apparaten genom att vrida motorreglaget (a1) till önskad position enligt det recept du följer.

- Apparaten startar direkt.
Du kan tillsätta livsmedel genom öppningen i locket (c2) under tillredningen.
- Vrid tillbaka reglaget (a1) till "0" för att stanna apparaten.

Tips:

- **Knåda**
- Använd degkroken (c1) **med hastigheten "1"**.
Du kan knåda upp till 500 g mjöl (t.ex: bröd, fullkornsbröd, mördeg).
- **Blanda**
- Använd blandaren (c2) **med hastigheten "1" till "max"**.
Du kan blanda upp till 1,8 kg lätt deg eller smet (sockerkaka, kakor...).
- **Använd aldrig blandaren (c2) för att knåda tunga degar.**
- **Vispa**
- Använd ballongvispen (c3) **med hastigheten "1" till "max"**.
- Du kan göra: majonnäs, aioli, såser, uppvispad äggvita (upp till 8 äggvitor), vispad grädd (upp till 500 ml)...
- **Använd aldrig ballongvispen (c3) för att knåda tunga degar eller blanda lätta degar eller smet.**

1.3 - TA LOSS TILLBEHÖREN

- Vänta tills apparaten har stannat helt.
- Ta loss locket (b2).
- Lås upp multifunktionsenheten (a3) genom att trycka på knappen (a2) och vicka upp den.
- Ta loss tillbehöret (c1), (c2) eller (c3) från multifunktionsenheten genom att trycka tillbehöret mot enheten och vrida det ett kvarts varv medurs.
- Ta loss den rostfria skålen.

2 - RÖRA/BLANDA/MIXA (BEROR PÅ MODELLEN)

SV

Beroende på livsmedlet kan du tillreda upp till 1,5 l tjock blandning och 1,25 l vätska i mixerbägaren (d).

TILLBEHÖR SOM ANVÄNDS:

- Mixerbägare (d).

2.1 - MONTERA TILLBEHÖREN

- För multifunktionsenheten (a3) till horisontell position: tryck på knappen (a2) och sänk multifunktionsenheten (a3) manuellt tills den låses på plats (knappen (a2) ska återgå till ursprungspositionen).
- Lås upp säkerhetsluckan (a5) på snabbfästet (a4) genom att vrida den moturs och sedan avlägsna den.
- Kontrollera att apparaten står helt stilla innan du sätter fast mixerbägaren (d).
- Sätt fast mixerbägaren (d) på snabbfästet (a4) genom att vrida den medurs.
- Tillsätt livsmedlen i mixerbägaren och sätt på locket (d2) med pluggen (d3) genom att vrida det moturs.

2.2 - STARTA APPARATEN

- Starta apparaten genom att vrida motorreglaget (a1) till önskad position enligt det recept du följer. För att få bättre kontroll över mixningen och en bättre blandning under tillredningen kan du använda positionen "Pulse".
Du kan tillsätta livsmedel genom öppningen i pluggen (d3) under tillredningen.
- Vrid tillbaka reglaget (a1) till "0" för att stanna apparaten.

Tips:

Du kan göra:

- fint mixade soppor, krämer, mos, mjölkdrinkar och cocktails.
- lätt smet (pannkakor, munkar, sockerkakor osv...).
- Om ingredienserna fastnar på sidorna av mixerbägaren under mixningen stannar du apparaten, tar loss mixerbägaren, för ner ingredienserna mot knivbladen och sätter sedan tillbaka mixerbägaren för att fortsätta tillredningen.
- Fyll aldrig mixerbägaren med kokande vätska.
- Kör inte apparaten med mixerbägaren tom.
- Använd alltid mixerbägaren tillsammans med locket.
- Ta aldrig loss locket innan apparaten har stannat helt.
- Tillsätt alltid ingredienser i vätskeform före ingredienser i fast form i mixerbägaren.

2.3 - TA LOSS TILLBEHÖRET

- Vänta tills apparaten har stannat helt innan du tar loss mixerbägaren genom att vrida den moturs och sätt tillbaka säkerhetsluckan (a5) på snabbfästet (a4) (vrid medurs).

3 - MALA (BEROR PÅ MODELLEN)

TILLBEHÖR SOM ANVÄNDS:

- Tillbehörshållare (e)
- Kvarnenhet (f)

3.1 - MONTERA HACKADAPTERN

- Tryck på knappen (a2) för att låsa upp multifunktionsenheten (a3) och vicka upp den tills det tar stopp.
- Sätt fast adaptern (e) och vrid den moturs så att fästet blir en förlängning av apparaten.
- För tillbaka multifunktionsenheten (a3) i horisontalläge genom att trycka på knappen (a2) igen.

SV

3.2 - MONTERA KVARNEN

- Håll enheten (f1) i röret och sätt den största öppningen uppåt.
- Sätt i skruven (f2) (den långa axeln först) i enheten (f1).
- Sätt fast kniven (f3) på den korta axeln som sticker ut från skruven (f2) och rikta de vassa kanterna utåt.
- Sätt fast önskad hålskiva (f4 eller f5) på kniven (f3) genom att passa in de två stiften mot de två spåren i enheten (f1).
- Vrid på skruvringen (f6) kraftigt på enheten (f1) medurs, utan att låsa den helt.
- Kontrollera att du har monterat kvarnen rätt. Axeln får varken ha något spelrum eller kunna snurra själv. Om så är fallet ska du börja om med anvisningarna ovan.

3.3 - MONTERA KVARNEN PÅ APPARATEN

- För in kvarnenheten (f) genom att luta den åt höger, mot adapters framsida (e), passa in de två stiften i kvarnen mot de två spåren i adaptern. Sätt i kvarnen helt i adaptern och vrid sedan kvarnens rör moturs och uppåt till vertikal position tills det tar stopp.
- Sätt fast den löstagbara brickan (f8) på röret.

3.4 - STARTA APPARATEN, TIPS OCH NEDMONTERING

- Kontrollera att säkerhetsluckan (a5) har låsts fast (medurs) på snabbfästet (a4).
- Placera en behållare för att samla upp de tillredda livsmedlen framför apparaten.
- Starta apparaten genom att vrida på motorreglaget (a1) till hastighet "3" eller "4".
- För in köttet i röret bit för bit med hjälp av mataren (f7). **Tryck aldrig ner ingredienser med fingrarna eller med några köksredskap i röret.**
- Vrid motorreglaget till hastigheten "0" för att stanna apparaten och vänta tills den har stannat helt.
- Ta loss kvarnen genom att vrida den åt motsatt håll jämfört med monteringen.

Tips:

- Förbered allt du ska hacka (för kött ska du ta bort ben, brosk och senor och skära det i bitar på ca. 2 x 2 cm).
- Kontrollera att köttet är helt tinat.
- När du är klar kan du köra igenom några små brödbitar för att få ut all köttfärs.

4 - RIVA/SKIVA (BEROR PÅ MODELLEN)

TILLBEHÖR SOM ANVÄNDS:

- Tillbehörshållare (e)
- Grönsaksskärare (g)
- Trummor (beror på modellen)

4.1 - MONTERA TILLBEHÖREN

- Tryck på knappen (a2) för att låsa upp multifunktionsenheten (a3) och vicka upp den tills det tar stopp.

- Sätt fast adaptorn (e) och vrid den moturs så att fästet blir en förlängning av apparaten.
- För tillbaka multifunktionsenheten (a3) i horisontalläge genom att trycka på knappen (a2) igen.
- Kontrollera att säkerhetsluckan (a5) har låsts fast (medurs) på snabbfästet (a4).
- För in trummagasinet (g1) genom att luta det åt höger, mot adaptorns framsida (e), passa in de två stiftet i kvarnen mot de två spåren i adaptorn. Sätt i magasinet helt och vrid sedan magasinet rör moturs och uppåt till vertikal position tills det tar stopp.
- Sätt i önskad trumma i magasinet och kontrollera att den är korrekt insatt i magasinet.

4.2 - STARTA APPARATEN OCH TIPS

SV

- Placera en behållare för att samla upp de tillredda livsmedlen framför apparaten.
- Starta apparaten genom att vrida på motorreglaget (a1) till hastighet "3" för att skiva eller "4" för att riva.
- Tillsätt livsmedlen i magasinet rör med hjälp av mataren (g2). **Tryck aldrig ner ingredienser med fingrarna eller med några köksredskap.**
- Vrid motorreglaget till hastigheten "0" för att stanna apparaten och **vänta tills den har stannat helt.**
- Ta loss trummagasinet genom att vrida det åt motsatt håll jämfört med monteringen.
- Detta kan du göra med trummorna:
 - Riva grovt C (g4)/riva fint D (g5): morötter, rotselleri, potatis, ost
 - Skiva grovt A (g3): potatis, morötter, gurka, äpplen, betor
 - Potatispannkakor E (g6): potatis, parmesanost

5 - CENTRIFUGERA FRUKT OCH GRÖNSAKER (BEROR PÅ MODELLEN)

TILLBEHÖR SOM ANVÄNDS:

- Centrifugenhets (h).

5.1 - MONTERA CENTRIFUGEN

- Placera filtret (h3) i mitten av uppsamlingskärlet (h4).
- Stäng locket: vrid moturs och sätt fast locket (h2) på uppsamlingskärlet (h4) (position stängt hänglås).
- Stäng hela centrifugen: för låsspaken (h6) till positionen med ett stängt hänglås.

5.2 - MONTERA CENTRIFUGEN PÅ APPARATEN

- För multifunktionsenheten (a3) till horisontell position: tryck på knappen (a2) och sänk multifunktionsenheten (a3) manuellt tills den låses på plats (knappen (a2) ska återgå till ursprungspositionen).
- Lås upp och avlägsna säkerhetsluckan (a5) på snabbfästet (a4) genom att vrida det moturs.
- Kontrollera att apparaten står helt stilla innan du sätter fast centrifugen (h).
- Sätt fast centrifugenheten på snabbfästet (a4) genom att vrida den medurs, så att fästet för hållpipen är i linje med apparaten.
- Rikta hållpipen (h5) mot uppsamlingskärlet (h4).

5.3 - STARTA APPARATEN OCH TIPS

- Ställ ett stort glas under hållpipen (h5).
- Starta apparaten genom att vrida på motorreglaget (a1) till hastighet "3".
- Skär frukt och/eller grönsaker i bitar.
- Tillsätt livsmedlen i röret till locket (h2) och tryck långsamt ner dem med hjälp av mataren (h1). **Tryck aldrig med fingrarna eller med några köksredskap.**
- Tillred aldrig mer än 5 gånger 500 g livsmedel efter varandra utan att låta apparaten vila helt.
- För att få ett bättre resultat, rengör filtret efter 300 g ingredienser.
- **Viktigt:** När uppsamlingskärlet för fruktkött är fullt ska du stänga av apparaten och tömma uppsamlingskärlet.
- Vrid motorreglaget till hastigheten "0" för att stanna apparaten och vänta tills den har stannat helt.

- **Vänta tills det roterande filtret har stannat helt innan du tar loss enheten från apparaten.**
- För att avlägsna centrifugen tar du loss den genom att vrida den moturs.
- För låsspaken (h6) till positionen med ett öppet hänslås. Öppna locket (position öppet hänslås). Du kan sedan ta loss filtret (h3) för att rengöra det och tömma uppsamlingskärlet (h4).

Tips:

- Du kan pressa juicer från frukt och grönsaker som: morötter, tomater, äpplen, vindruvor, hallon.
- Skala frukter med tjockt skal, ta bort kärnorna och mitten på ananasfrukter.
- Man kan inte utvinna juice ur vissa frukter och grönsaker: bananer, avocado, björnbär, etc.
- Du kan göra juice av olika frukter och grönsaker utan att rengöra centrifugen varje gång, smakerna blandas inte. Det räcker med att tillsätta lite vatten i centrifugen för att skölja den mellan varje juicesort.
- Drick juicen omedelbart efter den har pressats eller tillsätt litet citronjuice och förvara den kallt i några timmar.

SV

6 - JUSTERING AV SLADDLÄNGD

För att förenkla användning eller förvaring kan du minska sladdlängden genom att trycka in sladden i motorenheten (a) genom öppningen på baksidan (a7).

7 - HACKA MYCKET FINT I SMÅ MÄNGDER (BEROR PÅ MODELLEN)

TILLBEHÖR SOM ANVÄNDS:

- hackenhet.

Med hackaren kan du:

- Hacka på några sekunder i pulsläget: torkade fikon, torkade aprikoser.
maximal mängd/tid: 100 g/5 sekunder
Hackaren är inte avsedd för hårda livsmedel som kaffe.

RENGÖRING

- Dra ut kontakten ur eluttaget.
- Nedsänk aldrig motorenheten (a) eller adaptern (e) i vatten eller under rinnande vatten. Torka av dem med en torr eller lätt fuktad trasa.
- Om du sköljer av tillbehören direkt efter användning blir de lättare att rengöra. Ta isär kvarnenheten helt. **Hantera kniven med försiktighet, du kan göra dig illa på den.**
- Rengör, skölj och torka tillbehören: de går att diska i diskmaskin förutom metalldelarna till kvarnen: enheten (f1), skruven (f2), kniven (f3), hålskivorna (f4 och f5) och skruvringen (f6).
- Hålskivorna (f4) och (f5) och kniven (f3) måste smörjas. Smörj dem med matolja för att skydda dem.

Tips:

- Om tillbehören har missfärgats av livsmedel (morötter, apelsiner) kan du torka av dem med en trasa indränkt i matolja och sedan rengöra dem på vanligt sätt.
- Mixerbägare (d): håll varmt vatten med några droppar diskmedel i mixerbägaren. Stäng locket. Sätt bägaren på apparaten och kör den några korta gånger. Ta loss bägaren och skölj den med rinnande vatten och låt den lufttorka (upp och ner).

FÖRVARING

Förvara inte apparaten på en fuktig plats.

VAD GÖR JAG OM APPARATEN INTE FUNGERAR?

Kontrollera följande om apparaten inte fungerar:

- Att apparaten är elansluten.
- Att alla tillbehör sitter fast ordentligt.
- Att säkerhetsluckan (a5) sitter på snabbfästet (a4) när den inte används.
- Att multifunktionsenheten (a3) är låst i horisontellt läge.

Denna apparat är utrustad med en mikroprocessor som styr och analyserar köreffekten. Vid alltför stor belastning stängs apparaten av automatiskt. För att starta apparaten igen för du tillbaka motorreglaget (a1) till position "0" och avlägsnar en del av ingredienserna. Låt apparaten vila några minuter. Du kan sedan välja önskad hastighet för att slutföra tillredningen.

SV

Vad gör jag om apparaten inte fungerar? Vänd dig i så fall till ett auktoriserat servicecenter (se listan i servicehäftet).

KASSERING AV EMBALLAGE OCH APPARAT



Emballaget består enbart av material som inte är skadliga för miljön och de kan kastas i enlighet med gällande bestämmelser för återvinning. Hör dig för med berörd lokal myndighet om du har frågor gällande kasseringen av apparaten.

UTTJÄNTA ELEKTRISKA/ELEKTRONISKA PRODUKTER



Tänk på miljön!

i Apparaten innehåller material som kan återanvändas eller återvinnas.

➔ Lämna den på en återvinningsstation.

TILLBEHÖR

Du kan köpa följande tillbehör hos återförsäljaren eller hos ett auktoriserat servicecenter:

Rostfri skål Lock till den rostfria skålen Degkrok Blandare Ballongvisp Mixerbägare Centrifug Hackare	Tillbehörshållare Kvarn Grönsaksskärare: <ul style="list-style-type: none"> - A: skiva - C: riva grovt - D: riva fint - E: potatispannkakor Pasta kit Fruktpottstillbehör Valsverk för pasta
--	--

Varning: Inget tillbehör får säljas till dig utan att du visat upp bruksanvisningen eller apparaten.

RECEPT

VISPAD GRÄDDE

Ingredienser (6 till 8 personer) : 2,5 dl kall vispgrädde - 50 g fl orsocker.

Häll vispgrädde och fl orsocker i den rostfria skålen och sätt ballongvispen och locket på plats. Vispa på hastighet 4 i 2 minuter, och sedan på maxhastighet i 3 minuter och 30 sekunder.

MAJONNÄS

Ingredienser: 1 äggula - 1 msk senap - 1 tsk vinäger - 2,5 dl olja - salt och peppar.

Blanda äggula, senap, vinäger, salt och peppar i den rostfria skålen med ballongvispen och locket på plats. Starta på hastighet 1. Häll i oljan i en tunn stråle utan att stanna vispen. Öka till maxhastighet efter 10 sekunder. När blandningen jämn och slät, vispa i ytterligare 30 sekunder.

Tips: Smaksätt majonnäsen med en pressad vitlöksklyfta."

SV VITT BRÖD

Ingredienser (för ett runt bröd på ca 800 g): 8,3 dl mjöl - 3 dl ljummet vatten - 10 g torrjäst - 2 tsk salt.

Blanda mjöl, salt och torrjäst i den rostfria skålen. Sätt degkroken och locket på plats och kör maskinen i några sekunder på hastighet 1. Tillsätt det ljumma vattnet genom lockets öppning och knåda i 8 minuter. Låt jäsa i rumstemperatur i ungefär en halv timme. Knåda sedan degen för hand och rulla den till en rund bulle. Placera brödbullen på en smord och mjölad bakplåt. Låt jäsa ytterligare 1 timme på ett ljummet ställe. Värm ugnen till 240°C. Skär små snitt på brödets yta med en vass kniv och pensla det med ljummet vatten. Ställ även in en liten vattenbehållare i ugnen, eftersom det gör att brödet får en gyllenbrun skorpa. Grädda i 40 minuter i 240°C.

Tips: Jäst bör aldrig komma i direkt kontakt med socker eller salt, eftersom socker och salt hindrar jästen från att reagera.

PAJDEG

Ingredienser (för en pajdeg på ca 350 g): 3,3 dl mjöl - 100 g smör - 0,5 dl vatten - 1 nypa salt.

Lägg mjöl, smör och salt i den rostfria skålen. Sätt i degkroken och lägg på locket. Kör maskinen på hastighet 1 i några sekunder, och håll sedan i vattnet utan att stanna maskinen. Fortsätt bearbeta degen tills den är en jämn, rund bulle. Låt degen vila minst 1 timme i kylskåp täckt med plastfolie innan du bakar ut och gräddar den.

BRIOCHE

Ingredienser (6 personer): 4,2 dl mjöl - 1 tsk salt - 2 msk socker - 100 g smör - 2 hela ägg och en 1 äggula - 3 msk ljummen mjölk - 2 msk vatten - 5 g torrjäst.

Häll mjölet i den rostfria skålen och forma två fördjupningar: I den ena fördjupningen lägger du saltet och sockret, och i den andra jäst, ljummen mjölk och vatten. Saltet och jästen ska inte tillsättas tillsammans eftersom jästen reagerar negativt i kontakt med salt. Tillsätt äggen och sätt degkroken och locket på plats. Starta på hastighet 1 och knåda i 15 sekunder, öka sedan till hastighet 2 i 2 minuter 45 sekunder. Arbeta in smöret, som inte ska vara för mjukt (låt stå i rumstemperatur i en halv timme), utan att stanna maskinen och fortsätt knåda i 5 minuter på hastighet 2, sedan i 5 minuter på hastighet 3. Täck degen och låt jäsa i två timmar i rumstemperatur. Knåda sedan degen ordentligt för hand i skålen. Täck degen igen och låt den jäsa ytterligare två timmar i kylskåp, knåda sedan degen för hand i skålen ännu en gång. Täck sedan degen med plastfolie och låt den jäsa i kylskåp över natten. Smörj och mjöla en brödform. Forma degen till en boll. Lägg degen i formen och låt jäsa på ett varmt ställe tills degen fyller hela formen (2 till 3 timmar). Värm ugnen till 180°C och grädda i 25 minuter.

Tips: Tillsätt chokladbitar eller kanderade frukter i degen.

SALT KAKA

Ingredienser (6 personer): 3,3 dl mjöl - 4 ägg - 11 g bakpulver 1 dl mjölk - 0,5 dl olivolja - 12 soltorkade tomater - 200 g fetaost - 15 gröna oliver utan kärnor - 1 knivsudd curry (kan utelämnas) - salt och peppar.

Värm ugnen till 180°C. Smörj och mjöla en kakform. Blanda mjöl, ägg och bakpulver i den rostfria skålen med blandaren och locket på plats. Starta på hastighet 1 och öka sedan till hastighet 3. Tillsätt olivoljan och den kalla mjölken och blanda i en och en halv minut. Sänk till hastighet 1 och tillsätt soltorkade

tomater, fetaost, gröna oliver (hackade i bitar) och curry. Salta och peppra. Häll över blandningen i kakformen och grädda i 30 till 40 minuter, beroende på ugnen. Känn med en sticka att kakan är torr.

Tips: Byt ut fetaosten mot mozzarella och tillsätt några hackade basilikablåd.

FYLLIG CHOKLADKAKA

Ingredienser (8 personer): 200 g mörk blockchoklad - 1,7 dl socker - 2 dl mjöl - 125 g rumstempererat smör - 4 ägg - 2 dl grädde - 100 g mald mandel (kan uteslutas) - 2 tsk vaniljsocker - 11g bakpulver - 1 nypa salt.

Värm ugnen till 180°C. Smält chokladen i vattenbad eller i mikrovågsugn tillsammans med 3 matskedar vatten. Tillsätt smöret lite i taget under omrörning så att chokladen blir jämn och slät. Låt svalna. Separera äggulorna och äggvitorna. Ställ äggvitorna åt sidan. Lägg äggulor, smält choklad, grädde, resten av smöret, socker, vaniljsocker och malda mandlar i den rostfria skålen och sätt blandaren och locket på plats. Blanda på hastighet 1 i 20 sekunder. Växla till hastighet 2 och tillsätt mjölet blandat med bakpulvret genom lockets öppning. Kör maskinen i ungefär 2 minuter tills smeten är jämn. Häll över smeten i en stor skål. Diska den rostfria skålen och sätt i ballongvispen. Lägg i äggvitorna och en nypa salt, vispa äggvitorna styva på hastighet 5 i 1 minut och 45 sekunder, och öka sedan till maxhastighet i 30 sekunder. Blanda försiktigt ned äggvitorna i chokladsmeten med hjälp av en slickepott. Häll över i en smord och mjölad form med höga kanter. Grädda i 180°C i 25 minuter.

Tips: Servera kakan med vaniljsås eller vaniljglass.

För fler receptförslag gå in på www.tefal.com

SV

Takk for at du valgte dette apparatet, som kun er beregnet på tilberedning av mat i private husholdninger innendørs.

BESKRIVELSE

NO

<p>a - Motorenhet</p> <p>a1 Hastighetsbryter</p> <p>a2 Åpneknapp for flerfunksjonshodet (a3)</p> <p>a3 Flerfunksjonshode</p> <p>a4 Hurtigutgang (blenderkanne/saftpresse/kvern)</p> <p>a5 Sikkerhetsdeksel</p> <p>a6 Utgang for blandetilbehøret (eltekrok, ballongvisp, blandekniv)</p> <p>a7 Ledningsrom</p> <p>b - Bolleenhet</p> <p>b1 Stålbolle</p> <p>b2 Lokk</p> <p>c - Blandetilbehør</p> <p>c1 Eltekrok</p> <p>c2 Blandekniv</p> <p>c3 Ballongvisp</p> <p>d - Blenderkanne (avhengig av modell)</p> <p>d1 Kanne</p> <p>d2 Lokk</p> <p>d3 Doseringskork</p> <p>e - tilbehørholder (avhengig av modell)</p>	<p>f - Kvernehode (avhengig av modell)</p> <p>f1 Metallrør</p> <p>f2 Skrue</p> <p>f3 Kniv</p> <p>f4 Skive med store hull</p> <p>f5 Skive med små hull</p> <p>f6 Mutter</p> <p>f7 Stapper</p> <p>f8 Brett</p> <p>g - Grønnsaksutter (avhengig av modell)</p> <p>g1 Trommelhus</p> <p>g2 Stapper</p> <p>g3 Trommel A skiver</p> <p>g4 Trommel C grovriving</p> <p>g5 Trommel D finriving</p> <p>g6 Trommel E ekstra fin riving</p> <p>h - Saftpresse (avhengig av modell)</p> <p>h1 Stapper</p> <p>h2 Lokk</p> <p>h3 Roterende filter</p> <p>h4 Beholder</p> <p>h5 skjenketut</p> <p>h6 låsetapp</p>
---	---

SIKKERHETSINSTRUKSJONER

- Les bruksanvisningen nøye før du tar i bruk apparatet første gang, og oppbevar den for senere bruk. Bruk i strid med bruksanvisningen fritar produsenten for ethvert ansvar.
- Dette apparatet er ikke ment brukt av personer (inkludert barn) med nedsatte fysiske, sensoriske eller mentale evner, eller mangel på erfaring og kunnskap, med mindre disse personene overvåkes eller får nødvendige instruksjoner i bruken av apparatet av en person som er ansvarlig for deres sikkerhet.
- Barn bør overvåkes for å sikre at de ikke leker med apparatet.
- Kontroller at nettspenningen som står på apparatets merkeskilt, samsvarer med ditt elektriske anlegg. Garantien faller bort ved koblingsfeil.
- Dette apparatet er kun beregnet på privat husholdningsbruk og til matlaging innendørs, i høyde over havet på under 2000 m.
- Delene av apparatet som er i kontakt med matvarer skal rengjøres før

første gangs bruk, i overensstemmelse med instruksjonene som gis i avsnittet "Igangsetting" i denne bruksanvisningen, og etter hver bruk, som oppgitt i avsnittet "Rengjøring". Se avsnittet "Rengjøring" for vedlikehold og rengjøring av apparatet.

- Koble alltid fra strømmen hvis apparatet skal stå uten tilsyn og før montering, demontering eller rengjøring.
- Ikke bruk apparatet hvis det har blitt skadet eller ikke fungerer som det skal. Ta det med til et autorisert servicesenter (se listen i servicehåndboken).
- Alt annet arbeid enn vanlig rengjøring og vedlikehold utført av kunden, skal gjøres av et autorisert servicesenter (se listen i servicehåndboken).
- Ikke ha apparatet, ledningen eller støpselet i vann eller annen væske.
- Ikke la strømledningen henge innenfor barns rekkevidde, være i kontakt med apparatets varme deler, nær en varmekilde eller på en skarp kant.
- Ikke bruk apparatet hvis strømledningen eller støpselet er skadet. Av sikkerhetsmessige årsaker må disse delene byttes ut av et autorisert servicesenter (se listen i servicehåndboken).
- Ikke sett tilbehørsdelene i mikrobølgeovnen.
- Av sikkerhetsgrunner må du utelukkende bruke tilbehørsdeler og reservedeler som passer til apparatet, og som kan fås fra et godkjent servicesenter.
- Det er risiko for skader ved feil bruk av apparatet.
- Knivene (d,f,g) er veldig skarpe: For å unngå å skade deg, vær forsiktig ved håndtering av disse når bollen tømmes, ved montering/demontering av knivene og ved rengjøring.
- Ta alltid ut blenderkannen (d) eller saftpressen (h) før du trykker på åpneknappen (a2) for flerfunksjonshodet (a3).
- Ved bruk av kvernehodet (f), må alltid stapperen (f7) brukes til å skyve matvarene ned i sjakten, bruk aldri fingrene, en gaffel, kniv eller andre gjenstander.
- Berør aldri delene i bevegelse, vent alltid til apparatet har stanset helt før tilbehørsdelene tas av.
- Ikke berør vispen eller eltekroken mens apparatet er i gang.
- Ikke la langt hår, skjerve, slips osv. henge over apparatet mens det er i gang.
- Stikk aldri redskaper (skje, sleiv ...) ned i sjakten i lokkene (b2), (d2) eller (h2) eller i trommelhuset (g1).
- Ikke start opp blenderkannen (d1) uten lokket (d2).
- Bruk kun én tilbehørsdel om gangen.
- Blenderkannen må aldri fylles med kokende væske.

NO

NO

- Blenderkannen må ikke brukes tom.
- Blenderkannen må alltid brukes med lokket.
- Løft aldri av lokket før apparatet har stanset helt.
- Ha alltid flytende ingredienser i blenderkannen før du tilsetter faste ingredienser.
- Bruk aldri bollen eller kannen (b1, d1) som beholder (til frysing, steking, sterilisering ...).
- Bruk ikke saftpressen dersom det roterende filteret (h3) eller beskyttelseslokket (h2) er skadet eller har synlige sprekker.
- Slå av apparatet og koble det fra før du skifter ut tilbehørsdelene eller kommer i nærheten av deler som er i bevegelse mens apparatet er i gang.
- Vær forsiktig dersom varm væske helles inn i matkvernen eller blanderen. Rask oppkoking kan nemlig gjøre at den spruter ut av apparatet.
- Apparatet er ikke ment for (garantien dekker ikke) følgende bruk i hjemmet eller lignende steder, som f.eks.:
 - Kjøkkensoner i butikker, kontorer eller på andre arbeidsplasser;
 - På gårder,
 - Av kunder på hotell, motell og andre overnattingssteder
 - På steder av typen bed & breakfast.
- **Se de forskjellige tegningene og avsnittene "montering av tilbehør" og "demontering av tilbehør" for demontering og montering av apparatets tilbehør.**
- **Se bruksanvisningen for regulering av hastigheter og funksjonstid for hvert tilbehør.**
- Dette apparatet skal ikke brukes av barn. Apparatet og strømledningen skal oppbevares utilgjengelig for barn.
- Påse at ingen barn leker med apparatet.
- Dette apparatet kan brukes av personer med nedsatte fysiske, sensoriske eller mentale evner, eller mangel på erfaring og kunnskap, på den betingelse at de er under overvåking eller har fått sikkerhetsinstruksjoner når det gjelder bruken av apparatet og at de har full forståelse for eventuelle faremomenter.
- Ballongvispen (c3) og tromlene som «rasper fint» og «rasper grovt» (g5 og g4) kan brukes av barn som er fylt 8 år på den betingelse at de er under overvåking eller har fått sikkerhetsinstruksjoner når det gjelder bruken av apparatet og at de har full forståelse for eventuelle faremomenter. Rengjøring og vedlikehold skal ikke gjøres av barn under 8 år. Barn over 8 år som utfører rengjøring eller vedlikehold, skal være under overvåking av en voksen. Apparatet og ledningen skal holdes utenfor rekkevidde for barn under 8 år.

IGANGSETTING

- Alle tilbehørsdelene må vaskes med såpevann før de brukes for første gang (unntatt adapteren (e): se avsnittet om rengjøring). Skyll og tørk.
- Sett apparatet på en jevn, ren og tørr overflate, og sørg for at hastighetsbryteren (a1) står på posisjon "0" før apparatet kobles til.
- Apparatet har flere kjøremoduser:
 - **Intervall (puls):** Vri hastighetsbryteren (a1) til posisjon "pulse" i flere korte omganger for å ha bedre kontroll over blandingen.
 - **Kontinuerlig:** Vri hastighetsbryteren (a1) til en posisjon fra "1" til "max" avhengig av oppskriften.

Du kan endre hastigheten mens apparatet går.

- Vri bryteren (a1) tilbake til "0" for å slå av apparatet.

Viktig: Apparatet starter ikke opp hvis dekkelet (a5) og hodet (a3) ikke er låst. Hvis du låser opp dekkelet (a5) og/eller hodet (a3) mens apparatet går, stopper apparatet med en gang. Lås fast dekkelet og/eller hodet, sett hastighetsbryteren (a1) tilbake på "0", og start opp apparatet som vanlig ved å velge en hastighet.

NO

Kjøkkenapparatet er utstyrt med en mikroprosessor som kontrollerer og analyserer funksjonseffekten. Hvis apparatet overbelastes, stanser det automatisk. For å starte apparatet opp igjen, må du sette hastighetsbryteren (a1) tilbake til posisjon "0" og ta ut en del av ingrediensene. La apparatet hvile i noen minutter. Deretter kan du velge ønsket hastighet for å avslutte tilberedningen.

Nummeret på hvert avsnitt tilsvarer nummeret på hver figur.

1 - BLANDE/ELTE/VISPE/EMULGERE/PISKE

Avhengig av typen matvare, er bollen (b1) og lokket (b2) beregnet på å tilberede 1,8 kg deig.

TILBEHØR:

- Stålbolle (b1).
- Lokk (b2)
- Eltekrok (c1) eller blandekniv (c2) eller ballongvisp (c3)

1.1 - MONTERE TILBEHØRSDELENE

- Trykk på knappen (a2) for å åpne flerfunksjonshodet (a3), og løft det inntil det stopper.
 - Lås fast stålbollen (b1) til apparatet (med klokka), og tilsett ingrediensene.
 - Sett ønsket tilbehørsdel (c1, c2 eller c3) på utgangen (a6), trykk den ned og vri den en kvart omgang mot klokken for å feste den på utgangen.
 - Senk flerfunksjonshodet (a3) til vannrett posisjon: trykk på knappen (a2) og senk flerfunksjonshodet (a3) manuelt inntil det låser seg (knappen (a2) går tilbake til utgangsposisjon).
 - Sett lokket (b2) på stålbollen (b1).
- Merk:** Det er ikke nødvendig å bruke lokket. Bruk av lokket hindrer søl og sprut.
- Sørg for at dekkelet (a5) er låst (med klokken) på hurtigutgangen (a4).

1.2 - IGANGSETTING

Start apparatet ved å sette hastighetsbryteren (a1) på ønsket posisjon avhengig av oppskriften.

- Apparatet setter straks i gang.
Du kan tilføye ingredienser gjennom sjakten i lokket (b2) mens apparatet er i gang.
- Vri bryteren (a1) tilbake til "0" for å slå av apparatet.

Råd:

- Elte
- Bruk eltekroken (c1) på hastighet "1".

Du kan elte inntil 500 g mel (f.eks.: hvetebrød, grovbrød, mørdeig, paideig ...).

- Blande

- Bruk blandekniven (c2) **på hastighet "1" til "max"**.

Du kan blande inntil 1,8 kg lett deig (formkake, sukkerbrød ...).

- **Bruk aldri blandekniven (c2) til å elte tunge deiger.**

- Vispe/emulgere/piske

- Bruk ballongvispen (c3) **på hastighet "1" til "max"**.

- Du kan tilberede: majones, aioli, sauser, piskede eggehviter (inntil åtte eggehviter), pisket krem (inntil 5 dl) ...

- **Bruk aldri ballongvispen (c3) til å elte tunge deiger eller blande lette deiger.**

NO

1.3 - DEMONTERE TILBEHØRSDELENE

• **Vent til apparatet har stanset helt.**

• Ta av lokket (b2).

• Trykk på knappen (a2) for å åpne flerfunksjonshodet (a3), og løft det til oppreist posisjon.

• Utløs tilbehørsdelen (c1), (c2) eller (c3) fra flerfunksjonshodet ved å skyve tilbehøret oppover og dreie det en kvart omgang med klokken.

• Ta ut stålballen.

2 - MIKSE/BLANDE/BLENDE (AVHENGIG AV MODELL)

Avhengig av typen matvare er blenderkannen (d) beregnet på å tilberede 1,5 l tykke blandinger og 1,25 l flytende blandinger.

TILBEHØR:

- Blenderkanne (d).

2.1 - MONTERE TILBEHØRSDELENE

• Senk flerfunksjonshodet (a3) til vannrett posisjon: trykk på knappen (a2) og senk flerfunksjonshodet (a3) manuelt inntil det låser seg (knappen (a2) går tilbake til utgangsposisjon).

• Åpne og ta av sikkerhetsdekselet (a5) fra hurtigutgangen (a4) ved å vri det mot klokken.

• Sørg for at apparatet har stanset helt før du setter på blenderkannen (d).

• Fest blenderkannen (d) på utgangen (a4) ved å vri den med klokken.

• Ha matvarene i blenderkannen, og fest lokket (d2) med doseringskorken (d3) ved å vri det mot klokken.

2.2 - IGANGSETTING

• Start apparatet ved å sette hastighetsbryteren (a1) på ønsket posisjon avhengig av oppskriften.

Med "Pulse"-funksjonen kontrollerer du blandingen bedre, og blandingen blir jevnere.

Du kan tilsette ingredienser gjennom sjakten i doseringskorken (d3) mens apparatet går.

• Vri bryteren (a1) tilbake til "0" for å slå av apparatet.

Råd:

Du kan tilberede:

- Finmikset suppe, saus, kompott, milkshake, cocktail.

- Flytende rører (pannekaker, vafler, frityrbakverk ...).

- Hvis ingredienser kleber seg til sidene i kannen mens de blandes, må du slå av apparatet, ta av blenderkannen og få ingrediensene ned på bladene. Sett blenderkannen tilbake på plass og fortsett blandingen.

2.3 - DEMONTERE TILBEHØRSDELEN

• Vent til apparatet har stanset helt før du tar av blenderkannen ved å dreie den mot klokken. Sett tilbake dekselet (a5) og fest den på utgangen (a4) (med klokken).

3 - KVERNE (AVHENGIG AV MODELL)

TILBEHØR:

- Tilbehørsholder (e)
- Montert kvernehode (f)

3.1 - MONTERE KVERNEADAPTEREN

- Trykk på knappen (a2) for å åpne flerfunksjonshodet (a3), og løft det inntil det stopper.
- Sett adapteren (e) på plass, og dreii den fast mot klokken slik at utgangen er på linje med apparatets lengderetning.
- Trykk på knappen (a2) på nytt for å senke flerfunksjonshodet (a3) til vannrett posisjon.



3.2 - SETTE SAMMEN KVERNEHODET

- Hold metallrøret (f1) i sjakten, og sett den bredeste åpningen slik at den peker oppover.
- Stikk skruen (f2) (lang akse først) i røret (f1).
- Sett kniven (f3) på den korte aksen som stikker ut av skruen (f2) med de skarpe kantene pekende utover.
- Sett hullskiven (f4 eller f5) på kniven (f3) slik at de to stopperne passer inn i de to rillene på røret (f1).
- Skru mutteren (f6) hardt på røret (f1) med klokken, men den må ikke sitte helt fast.
- Sjekk at alt er montert som det skal. Aksen må ikke være løs eller kunne dreie rundt alene. Hvis dette ikke er tilfellet, må du starte monteringen på nytt.

3.3 - MONTERE KVERNEHODET PÅ APPARATET

- Hold det monterte kvernehodet (f) på skrå til høyre foran adapterutgangen (e) slik at de to tappene på kvernehodet passer inn i de to rillene på adapteren. Skyv kvernehodet så langt det går inn i adapteren, og vri så sjakten på kvernehodet oppover mot klokken inntil hodet låser seg.
- Sett det avtakbare brettet (f8) på sjakten.

3.4 - IGANGSETTING, RÅD OG DEMONTERING

- Sørg for at sikkerhetsdekslet (a5) er festet (med klokken) på hurtigutgangen (a4).
- Sett en beholder til grønnsakene foran apparatet.
- Slå på apparatet ved å sette hastighetsbryteren (a1) på hastighet "3" eller "4".
- Ha kjøttet ned i sjakten bit for bit, og skyv det ned med stapperen (f7). **Bruk aldri fingrene eller redskaper til å skyve ingrediensene ned i sjakten.**
- For å slå av apparatet, setter du hastighetsbryteren på hastighet "0". Vent til apparatet har stanset helt.
- Skru løs kvernehodet i motsatt retning av monteringen.

Råd:

- Tilbered på forhånd hele mengden som skal kvernes (kjøtt: ta ut ben, brus, nerver, og skjær det i biter på ca. 2 x 2 cm).
- Sørg for at kjøttet er fullstendig opptint.
- Når du har kvernet alt kjøttet, kan du kverne noen brødbiter for å få ut alt kjøttet.

4 - RIVE/SKJÆRE (AVHENGIG AV MODELL)

TILBEHØR:

- Tilbehørsholder (e)
- Montert grønnsakskutter (g)
- Tromler (avhengig av modell)

4.1 - MONTERE TILBEHØRSDELENE

- Trykk på knappen (a2) for å åpne flerfunksjonshodet (a3), og løft det inntil det stopper.
- Sett adapteren (e) på plass, og drei den fast mot klokken slik at utgangen er på linje med apparatets lengderetning.
- Trykk på knappen (a2) på nytt for å senke flerfunksjonshodet (a3) til vannrett posisjon.
- Sørg for at sikkerhetsdekelet (a5) er festet (med klokken) på hurtigutgangen (a4).
- Hold trommelhuset (g1) på skrå til høyre foran adapterutgangen (e) slik at de to tappene på trommelhuset passer inn i de to rillene på adapteren. Skyv trommelhuset helt inn, og vri sjakten oppover mot klokken inntil det låser seg.
- Sett en trommel i trommelhuset, og sørg for at den er satt helt inn i huset.

NO

4.2 - IGANGSETTING OG RÅD

- Sett en beholder til grønnsakene foran apparatet.
- Slå på apparatet ved å sette hastighetsbryteren (a1) på hastighet "3" for å skjære, eller "4" for å rive.
- Ha ingrediensene ned i sjakten på trommelhuset, og skyv dem ned med stapperen (g2). **Bruk aldri fingrene eller redskaper til å skyve ned ingrediensene.**
- For å slå av apparatet setter du hastighetsbryteren på hastighet "0". Vent til apparatet har **stanset helt**.
- Skru løs trommelhuset i motsatt retning av monteringen.
- Tromlene kan brukes til:
 - Grovriving C (g4) / finriving D (g5): gulrøtter, sellerirot, poteter, ost ...
 - Tykke skiver A (g3): poteter, gulrøtter, agurk, epler, rødbeter ...
 - Ekstra fin riving E (g6): poteter, parmesan ...

5 - SAFTPRESSE TIL FRUKT OG GRØNNSAKER (AVHENGIG AV MODELL)

TILBEHØR:

- Montert saftpresse (h).

5.1 - SETTE SAMMEN SAFTPRESSEN

- Sett filteret (h3) midt i beholderen (h4).
- Feste lokket: vri mot klokken og fest lokket (h2) på beholderen (h4) (posisjon med lukket hengelås).
- Feste hele enheten: skyv låsetappen (h6) til posisjonen med lukket hengelås.

5.2 - MONTERE SAFTPRESSEN PÅ APPARATET

- Senk flerfunksjonshodet (a3) til vannrett posisjon: trykk på knappen (a2) og senk flerfunksjonshodet (a3) manuelt inntil det låser seg (knappen (a2) går tilbake til utgangsposisjon).
- Åpne og ta av sikkerhetsdekelet (a5) fra hurtigutgangen (a4) ved å vri det mot klokken.
- Sørg for at apparatet har stanset helt før du setter på saftpressen (h).
- Fest den monterte saftpressen på utgangen (a4) ved å vri den med klokken slik at røret til skjenketuten peker fremover.
- Sett skjenketuten (h5) på beholderen (h4).

5.3 - IGANGSETTING OG RÅD

- Sett et stort glass under skjenketuten (h5).
- Slå på apparatet ved å sette hastighetsbryteren (a1) på hastighet "3".
- Skjær frukten og/eller grønnsakene i biter.
- Ha bitene ned i sjakten i lokket (h2), og skyv dem langsomt ned med stapperen (h1). **Bruk aldri**

fingrene eller redskaper til å skyve.

- Ikke press mer enn 5 ganger 500 g frukt/grønnsaker sammenhengende uten å la apparatet hvile fullstendig.
- Du oppnår best resultat når filteret renses etter å ha presset 300 g frukt/grønnsaker.
- **Viktig:** Når restbeholderen er full, må du stanse apparatet og tømme beholderen.
- For å slå av apparatet setter du hastighetsbryteren på hastighet "0". Vent til apparatet har stanset helt.
- **Vent til det roterende filteret har stanset helt før du løfter enheten av apparatet.**
- Løsne saftpressen ved å vri den mot klokken.
- Sett låsetappen (h6) i posisjonen med åpen hengelås. Åpne lokket (åpen hengelås). Ta ut filteret (h3) for å rense det, og tøm beholderen (h4).

Råd:

- Du kan lage saft av: gulrøtter, tomater, epler, druer, bringebær ...
- Skrell frukt med tykt skall, fjern steinene og ta ut midten av ananas.
- Det er ikke mulig å lage saft av visse typer frukt og grønnsaker: bananer, avokado, bjørnebær ...
- Du kan lage saft av ulike frukt og grønnsaker uten å rengjøre saftpressen hver gang, smakene blandes ikke. Mellom ulike typer frukt og grønnsaker, er det er nok å helle litt vann ned i saftpressen mens den er i gang slik at den skylles.
- Bruk saften innen kort tid etter den er presset, og tilsett sitronsaft hvis du vil oppbevare den kjølig i noen timer.

NO**6 - LENGDEINNSTILLING AV LEDNINGEN**

For å gjøre det enklere å bruke apparatet eller rydde det bort, kan du forkorte strømledningen ved å skyve den inn i motorenheten (a) gjennom åpningen på baksiden (a7).

7 - FINKVERNE SMÅ MENGDER (AVHENGIG AV MODELL)**TILBEHØRSDEL:**

- montert kvern.

Kvernen kan brukes til å:

- Kverne på noen sekunder med pulse-funksjonen: tørket fiken, tørket aprikos ...
mengde/maks tid: 100 g / 5 s

Denne kvernen er ikke beregnet på harde produkter slik som kaffe.

RENGJØRING

- Trekk ut kontakten.
- Ikke dypp motorenheten (a) eller adapteren (e) ned i vann eller hold dem under rennende vann. Tørk dem av med en tørr eller lett fuktet klut.
- Det er enklere å rengjøre tilbehørsdelene hvis du skyller dem rett etter bruk. Demonter alle delene i kvernehodet. **Håndter alle knivene forsiktig slik at du ikke skader deg.**
- Vask, skyll og tørk tilbehørsdelene: de kan vaskes i oppvaskmaskin med unntak av alle metalldelene i kvernehodet: røret (f1), skruen (f2), kniven (f3), hullskivene (f4 og f5), mutteren (f6).
- Hullskivene (f4) og (f5), samt kniven (f3), skal ha litt fett på utsiden. Smør dem med matolje før oppbevaring.

Tips:

- Hvis tilbehørsdelene har blitt farget av matvarene (gulrøtter, appelsin ...), gnir du dem med en klut dynket med matolje før du vasker dem som vanlig.
- Blenderkanne (d): ha varmt vann og noen dråper oppvaskåpe i blenderkannen. Lukk lokket. Sett kannen på apparatet og kjør noen korte omganger. Ta av kannen, skyll den i rennende vann og la den tørke (opp ned).

OPPBEVARING

Apparatet skal ikke oppbevares på et fuktig sted.

HVA GJØR JEG HVIS APPARATET IKKE FUNGERER?

Hvis apparatet ikke fungerer, må du sjekke:

- at støpselet sitter i stikkontakten.
- at hver tilbehørsdel er riktig montert og festet.
- at sikkerhetsdekslet (a5) er på plass og låst når hurtigutgangen (a4) ikke er i bruk.
- at flerfunksjonshodet (a3) er låst i vannrett posisjon.

NO

Kjøkkenapparatet er utstyrt med en mikroprosessor som kontrollerer og analyserer funksjonseffekten. Hvis apparatet overbelastes, stanser det automatisk. For å starte apparatet opp igjen, må du sette hastighetsbryteren (a1) tilbake til posisjon "0" og ta ut en del av ingrediensene. La apparatet hvile i noen minutter. Deretter kan du velge ønsket hastighet for å avslutte tilberedningen.

Fungerer apparatet fortsatt ikke? Kontakt et godkjent servicesenter (se listen i servicehåndboken).

GJENVINNING AV EMBALLASJEN OG APPARATET



Emballasjen omfatter utelukkende miljøvennlige materialer som kan kastes i henhold til gjeldende bestemmelser om resirkulering.

Når du skal kassere apparatet, må du henvende deg til riktig avdeling i din kommune.

RESIRKULERING AV ELEKTRISKE ELLER ELEKTRONISKE PRODUKTER



Tenk grønt!

i Apparatet inneholder mange materialer som kan gjenvinnes eller resirkuleres.

➔ Lever apparatet til en miljøstasjon når det ikke skal brukes mer.

TILBEHØRSDELER

Du kan anskaffe følgende tilbehørsdeler fra din forhandler eller et godkjent servicesenter:

Stålbolle Lokk til stålbollen Eltekrok Blandekniv Ballongvisp Blenderkanne Saftpresse Kvern	Tilbehørsholder Grønnsaksakutter: - A: skiver - C: grovriving - D: finriving - E: ekstra fin riving Pastasett Saustilbehør Pastarulle
--	---

Merk: Bruksanvisningen eller apparatet må vises frem for å kunne kjøpe tilbehør.

OPPSKRIFTER

PISKET KREM

Ingredienser (til 6/8 personer): 2,5 dl svært kald kremfløte - 50 g melis.

Ha krem og melis i stålbollen med ballongvispen og lokket. Kjør på hastighet 4 i to minutter, kjør så på maksimal hastighet i 3½ minutt.

MAJONES

Ingredienser: 1 eggeplomme - 1 ss sennep - 1 ss eddik - 2,5 dl olje - salt og pepper.

Ha eggeplomme, sennep, eddik, salt og pepper i stålbollen med ballongvispen og lokket. Velg hastighet 1. Tilsett oljen i en tynn stråle mens maskinen visper. Sett maskinen på maksimal hastighet etter 10 sekunder. La maskinen fortsette å gå i 30 sekunder med vispen etter at all oljen er iblandet.

Tips: Tilsett gjerne et fedd revet hvitløk.

NO

HVETEBRØD

Ingredienser (til et brød på 800 g): 500 g mel - 3 dl lunke vann - 10 g tørrgjær - 10 g salt.

Ha mel, salt og gjær i stålbollen. Sett på plass eltekroken og lokket, og kjør på hastighet 1 i noen sekunder. Tilsett lunke vann gjennom åpningen i lokket. Elt i åtte minutter. La deigen heve i romtemperatur i ca. 30 minutter. Kna deigen for hånd til en form, og legg den på en smurt og melet stekeplate. La den etterheve på et lunt sted i ca. én time. Forvarm ovnen til 240 °C. Lag flere snitt på toppen av brødet med et barberblad, og pensle brødet med lunke vann. Sett også en liten form fylt med vann i ovnen slik at brødet får en gyllen skorpe. Stek brødet i 40 minutter på 240 °C.

Tips: Gjær skal aldri være i direkte kontakt med sukker eller salt da dette hindrer gjæren i å virke.

MØRDEIG

Ingredienser (til en paibunn på 350 g): 200 g mel - 100 g smør - 0,5 dl vann - en klype salt.

Ha mel, smør i biter og salt i stålbollen. Sett på plass eltekroken og lokket, og kjør maskinen på hastighet 1 i noen sekunder. Tilsett vannet mens maskinen er i gang. La maskinen kjøre inntil ingrediensene har blitt til en fin, rund deig. La deigen stå kjølig i minst én time før du kjevler den ut og steker den.

BRIOCHE

Ingredienser (til 6 personer): 250 g mel - 5 g salt - 25 g sukker - 100 g smør - 2 hele egg og 1 eggeplomme - 3 ss lunken melk - 2 ss vann - 5 g tørrgjær.

Ha melet i stålbollen, og lag to groper. I den ene has salt og sukker, og i den sandre gjær, lunken melk og vann. Salt og gjær må ikke blandes fordi gjær reagerer dårlig på salt. Tilsett egg, sett på plass eltekroken og lokket. Velg hastighet 1 og elt i 15 sekunder, gå så over til hastighet 2 i 2 minutter og 45 sekunder. Mens maskinen går, tilsett fast, romtemperert smør (det må ikke være for mykt - la det stå en halvtime i romtemperatur). Fortsett å elte i 5 minutter på hastighet 2, så 5 minutter på hastighet 3. Dekk til deigen og la den heve i to timer ved romtemperatur, kna så deigen godt for hånd ved å slå den lett mot kantene i bollen. Dekk til deigen og la den heve på nytt i to timer i kjøleskapet. Kna deigen godt på nytt ved å slå den lett mot kantene i bollen. Dekk til med plastfolie, og la den heve natten over i kjøleskapet. Smør og mel en brødform neste dag. Del deigen i tre, og kna hver del til en bolle. Sett bollene ved siden av hverandre i formen, og la dem heve på et varmt sted inntil de fyller formen (2-3 timer). Stekes på 180 °C i 25 minutter.

Tips: Tilsett gjerne sjokoladebiter eller kandisert frukt.

OLIVENBRØD

Ingredienser (til 6 personer): 200 g mel - 4 egg - 11 g bakepulver - 1 dl melk - 0,5 dl olivenolje - 12 tørkede tomater - 200 g fetaost - 15 steinfrie grønne oliven - 1 klype karri (valgfritt) - salt, pepper.

Forvarm ovnen til 180 °C. Smør og mel en brødform. Ha mel, egg og bakepulver i stålbollen med

blandekniven og lokket, og bland først på hastighet 1. Øk så hastigheten til 3. Tilsett olivenolje og kald melk, og bland i 1½ minutt. Sett ned hastigheten til 1, og tilsett tørkede tomater, fetaost, grønne oliven (i biter) og karri. Tilsett salt og pepper. Hell blandingen over i brødformen, og stek 30-40 minutter, avhengig av ovnen. Stikk med kniv for å se om det er ferdig.

Tips: Du kan bruke mozzarella istedenfor fetaost, og tilføy noen blader hakket basilikum.

SJOKOLADEFONDANT

Ingredienser (til 8 personer): 200 g mørk kokesjokolade - 150 g sukker - 125 g mel - 125 g mykt smør - 4 egg - 2 dl kremfløte - 100 g malte mandler (valgfritt) - 1 ts vaniljesukker - 11 g bakepulver - 1 klype salt.

Forvarm ovnen til 180 °C. Brekk sjokoladen i biter, og smelt den i vannbad eller mikrobølgeovn med 3 ss vann. Tilsett smør litt etter litt og rør sjokoladen jevn. La blandingen avkjøle. Skill eggene. Legg til side hvitene. Ha eggeplommer, smeltet sjokolade, krem, resten av smøret, sukker, vaniljesukker og malte mandler i stålbollen med blandekniven og lokket. Kjør på hastighet 1 i 20 sekunder for å blande ingrediensene. Kjør videre på hastighet 2, og ha melet blandet med bakepulveret gjennom åpningen i lokket. La maskinen kjøre i ca. to minutter inntil blandingen er jevn. Legg dette til side i en stor bolle. Vask stålbollen, ha eggehviter og en klype salt i stålbollen med ballongvispen, og visp hvitene stive på hastighet 5 i 1 min og 45 sek. Sett så maskinen på maksimal hastighet i 30 sekunder. Bruk en slikkepott til å vende eggehviten forsiktig inn i sjokoladeblanding. Hell over i en smurt og melet kakeform. Stek i ovn på 180 °C i 25 minutter.

Tips: Denne kaken er deilig servert med vaniljekrem eller vaniljeis.

Du kan finne flere ideer til oppskrifter på www.tefal.com

NO

Tak, fordi du har valgt dette apparat, som udelukkende er beregnet til tilberedning af madvarer i hjemmet.

BESKRIVELSE

<p>a - Motorblok</p> <p>a1 Elektronisk hastighedsvælger</p> <p>a2 Udløserknop til multifunktionsarm (a3)</p> <p>a3 Multifunktionsarm</p> <p>a4 Udtag (til blendeskål / saftcentrifuge / kværn)</p> <p>a5 Sikkerhedsklap</p> <p>a6 Udtag til blandetilbehør (dejkrog, ballonpiskeris, omrører)</p> <p>a7 Ledningsspor</p> <p>b - Skålstyr</p> <p>b1 Skål i rustfrit stål</p> <p>b2 Låg</p> <p>c - Blandetilbehør</p> <p>c1 Dejkrog</p> <p>c2 Omrører</p> <p>c3 Ballonpiskeris</p> <p>d - Blendeskål (afhængig af model)</p> <p>d1 Skål</p> <p>d2 Låg</p> <p>d3 Doseringsprop</p> <p>e - Adapter til tilbehør (afhængig af model)</p>	<p>f - Hakkeudstyr (afhængig af model)</p> <p>f1 Hus i metal</p> <p>f2 Snegl</p> <p>f3 Kniv</p> <p>f4 Grov hulskive</p> <p>f5 Fin hulskive</p> <p>f6 Møtrik</p> <p>f7 Nedstopper</p> <p>f8 Påfyldningsbakke</p> <p>g - Grøntsagsjern (afhængig af model)</p> <p>g1 Cylinderholder</p> <p>g2 Nedstopper</p> <p>g3 Snittecylinder A</p> <p>g4 Grov rivecylinder C</p> <p>g5 Fin rivecylinder D</p> <p>g6 Kartoffelrivejern E</p> <p>h - Saftcentrifuge (afhænger af model)</p> <p>h1 Nedstopper</p> <p>h2 Låg</p> <p>h3 Roterende filter</p> <p>h4 Beholder</p> <p>h5 Hældetud</p> <p>h6 Låsearm</p>
--	---

DA

SIKKERHEDSANVISNINGER

- Læs brugsanvisningen omhyggeligt igennem, inden apparatet tages i brug første gang og gem den: Producenten påtager sig intet ansvar for skader, der opstår ved forkert brug.
- Dette apparat er ikke beregnet til at blive brugt af personer (herunder børn), hvis fysiske, sensoriske eller mentale evner er svækkede, eller af personer uden erfaring eller kendskab til apparatet, medmindre de er under opsyn eller har modtaget forudgående instruktioner om brugen af apparatet af en person, der er ansvarlig for deres sikkerhed. Børn må ikke lege med apparatet.
- Kontroller, at el-nettets spænding svarer til det, der er anført på apparatet. **Alle fejl i tilslutningen medfører bortfald af garantien.**
- Apparatet er udelukkende beregnet til indendørs brug, og til madlavning under opsyn i hjemmet i en højde over havet på højst 2000 m.
- Vask alle flader i kontakt med fødevarer inden første ibrugtagning ved at følge beskrivelsen i afsnittet "Ibrugtagning" i denne brugsanvisning. Rengør alt tilbehør efter hver brug som beskrevet i afsnittet "Rengøring". Se også afsnittet "Rengøring" med hensyn til

vedligeholdelse og rengøring af apparatet.

- Afbryd altid strømmen til apparatet, og tag stikket ud, hvis det efterlades uden opsyn, og inden montering, demontering eller rengøring.
- Brug ikke apparatet, hvis det ikke fungerer korrekt, eller hvis det er beskadiget. Kontakt i så fald et autoriseret serviceværksted (se listen i servicehæftet).
- Anden vedligeholdelse end den regelmæssige rengøring og vedligeholdelse, som brugeren selv kan foretage, skal udføres af et autoriseret serviceværksted (se listen i servicehæftet).
- Dyp ikke apparatet, el-ledningen eller stikket ned i vand eller anden væske.
- **DA** Lad ikke ledningen hænge ned inden for børns rækkevidde, komme i nærheden af, eller i kontakt med apparatets varme dele eller en varmekilde, og anbring den aldrig, så den hænger ud over en skarp kant.
- Brug ikke apparatet, hvis el-ledningen eller stikket er beskadiget. For at undgå at der opstår farlige situationer, må de kun udskiftes af et autoriseret serviceværksted (se listen i servicehæftet).
- Stil ikke tilbehørsdele, der indeholder metal, i mikrobølgeovn.
- For at der ikke skal ske uheld eller skader, må der kun bruges tilbehørsdele og reservedele, der passer til modellen, og som sælges af et autoriseret serviceværksted.
- Vær opmærksom på, at der er risiko for at komme til skade, hvis apparatet bruges forkert.
- Vær forsigtig ved håndtering af knivene (d, f, g), for ikke at komme til skade, når du tømmer skålen, når knivene monteres/demonteres på tilbehøret, og når delene rengøres. Knivene er nemlig meget skarpe.
- Tag altid blenderskålen (d) eller saftcentrifugen (h) ud, inden du trykker på udløserknappen (a2) på multifunktionsarmen (a3).
- Brug altid nedstopperen (f7) sammen med hakkeudstyret (f) til at skubbe ingredienserne ned i påfyldningstragten. Brug aldrig fingrene, en gaffel, en ske, en kniv eller enhver anden genstand.
- Rør aldrig ved delene, når de er i bevægelse, og tag ikke tilbehørsdelene af, før apparatet er helt standset.
- Rør ikke ved piskeriset eller dejkrogen (c), når apparatet kører.
- Lad ikke langt hår, halstørklæder, slips, osv. hænge ned over tilbehørsudstyret, mens apparatet arbejder.
- Før aldrig redskaber (ske, skraber osv.) ned gennem lågenes åbning (b2), (d2) eller (h2) eller gennem cylinderholderen (g1).
- Brug ikke blenderskålen (d1) uden låg (d2).
- Brug kun ét tilbehør ad gangen.
- Hæld aldrig kogende væske ned i blenderskålen.
- Brug aldrig blenderskålen uden ingredienser.
- Brug altid blenderskålen med låget.

- Tag aldrig låget af, før apparatet er helt standset.
- Kom altid de faste ingredienser i blenderskålen før de flydende ingredienser.
- Brug ikke skålene (b1, d1) som beholdere (til dybfrysning, stegning, sterilisation).
- Saftcentrifugeren må ikke bruges, hvis det roterende filter (h3) eller låget (h2) er beskadiget eller har synlige revner.
- Sluk for apparatet, og tag stikket ud, før du skifter tilbehør eller nærmer dig bevægelige dele.
- Vær forsigtig, hvis der hældes varm væske i foodprocessoren eller blenderen, eftersom væsken kan sprøjte ud af apparatet, hvis den pludselig koger op.
- Denne maskine er ikke beregnet til følgende og lignende anvendelser (som ikke er dækket af garantien):
 - I tekøkkener i butikker, på kontorer og andre arbejds- og erhvervsomgivelser.
 - På gårde.
 - Af kunder på hoteller, moteller, lejlighedshoteller og andre former for indkvartering.
 - I omgivelser af typen Bed and Breakfast.
- **Se de forskellige figurer og afsnittene "Montering af tilbehøret" og "Afmontering af tilbehøret" med hensyn til montering og afmontering af tilbehør på apparatet.**
- **Se brugsanvisningen vedrørende indstilling af hastighed og driftstid for det enkelte tilbehør.**
- Dette apparat må ikke anvendes af børn. Opbevar apparatet og ledningen utilgængeligt for børn.
- Børn må ikke bruge apparatet som legetøj.
- Dette apparat kan benyttes af personer, hvis fysiske, sensoriske eller mentale evner er svækkede, eller af personer uden tilstrækkelig erfaring eller indsigt, såfremt de er under opsyn eller har fået forudgående instruktion i sikker brug af apparatet og har forstået de mulige farer forbundet med det.
- Ballonpiskeriset (c3) og den fine og grove rivecylinder (g5 og g4) kan anvendes af børn på mindst 8 år, såfremt de er under opsyn eller har fået forudgående instruktion i sikker brug af apparatet og har forstået de farer, der er forbundet med det. Rengøring og vedligeholdelse, som brugeren selv kan foretage, må ikke overlades til børn, medmindre de er mindst 8 år og under opsyn af en voksen. Opbevar apparatet og ledningen utilgængeligt for børn under 8 år.

DA

IBRUGTAGNING

- Vask alle tilbehørsdelene (undtaget adapteren (e): Se afsnittet Rengøring) i varmt sæbevand før første ibrugtagning. Skyl dem, og tør dem af.

- Anbring apparatet på en plan, ren og tør flade. Kontroller, at hastighedsvælgeren (a1) står på position "0", og sæt derefter stikket i.
- Der findes flere muligheder for at starte apparatet:
 - **Diskontinuerlig funktion (pulse):** Stil hastighedsvælgeren (a1) på "pulse" position, som fungerer med intervaller for at have en bedre kontrol over tilberedningen.
 - **Konstant funktion:** Stil hastighedsvælgeren (a1) på den ønskede position fra "1" til "max" afhængig af tilberedningen.

Man kan skifte hastighed under tilberedningen.

- Stil knappen (a1) tilbage på "0" for at standse apparatet.

Vigtigt: Apparatet kan kun starte, hvis klappen (a5) og multifunktionsarmen (a3) er blokeret. Hvis klappen (a5) og/eller multifunktionsarmen (a3) åbnes, mens apparatet kører, vil det straks standse. Lås klappen og/eller multifunktionsarmen fast, stil hastighedsvælgeren (a1) tilbage på position "0", og start apparatet igen på normal vis ved at vælge den ønskede hastighed.

Denne køkkenmaskine er udstyret med en mikroprocessor, som kontrollerer og analyserer effekten, mens den kører. **Hvis belastningen er for stor, standser apparatet automatisk.** Tag nogle af ingredienserne ud for at starte apparatet igen, og sæt hastighedsvælgeren (a1) tilbage på position "0". Lad apparatet hvile i nogle minutter. Nu kan du vælge den ønskede hastighed for at gøre tilberedningen færdig.

DA

Numrene på afsnittene svarer til numrene på de indrammede skemaer.

1 - BLANDE / ÆLTE / PISKE / EMULGERE

Afhængig af hvilke ingredienser, der bruges, giver skålen i rustfrit stål (b1) med låget (b2) mulighed for at tilberede op til 1,8 kg dej.

ANVENDT TILBEHØR:

- Skål i rustfrit stål (b1)
- Låg (b2)
- Dejkrog (c1) eller omrører (c2) eller ballonpiskeris (c3)

1.1 - MONTERING AF TILBEHØRET

- Tryk på knappen (a2) for at åbne multifunktionsarmen (a3) op, og løft den helt op.
- Sæt skålen i rustfrit stål (b1) fast (med uret) på apparatet, og kom ingredienserne i.
- Sæt det ønskede tilbehør (c1, c2 eller c3) på udtaget (a6), tryk det i bund, og drej en kvart omgang mod uret for at blokere tilbehøret i sit leje.
- Indstil multifunktionsarmen (a3) i vandret position. Tryk på knappen (a2), og sænk multifunktionsarmen (a3) manuelt, indtil den sidder fast (drej knappen (a2) tilbage til den oprindelige position).
- Sæt låget (b2) på skålen i rustfrit stål (b1).
Bemærk: Det er ikke obligatorisk at bruge låget. Det kan anvendes for at undgå risiko for stænk og sprøjt.
- Kontroller, at klappen (a5) er blokeret (med uret) på udtaget (a4).

1.2 - OPSTART

Start apparatet ved at dreje hastighedsvælgeren (a1) hen på den ønskede position afhængig af opskriften.

- Apparatet starter med det samme.
Man kan tilsætte ingredienser gennem lågets åbning (b2) under tilberedningen.
- Stil knappen (a1) tilbage på "0" for at standse apparatet.

Gode råd:

- **Ælte**
- Brug dejkrogen (c1) **ved hastighed "1"**.
Man kan ælte op til 500 g mel (f.eks.: til franskbrød, grovbrød, mørdej osv.).

- **Blande**
- Brug omrøreren (c2) **ved hastighed "1" til "max"**.
Man kan blande op til 1,8 kg tynd dej (sandkagedej, småkagedej osv.).
- **Brug aldrig omrøreren (c2) til at ælte tyk dej.**
- **Piske /emulgere**
- Brug ballonpiskeriset (c3) **ved hastighed "1" til "max"**.
- Man kan tilberede: Mayonnaise, aioli, saucer, æggehvider (op til 8 æggehvider), flødeskum (op til 500 ml) osv.
- **Brug aldrig ballonpiskeriset (c3) til at ælte tyk dej eller til at blande tynd dej.**

1.3 - AFMONTERING AF TILBEHØRET

- **Vent til apparatet er helt standset.**
- Tag låget (b2) af.
- Tryk på knappen (a2) for at åbne multifunktionsarmen (a3), og løft den helt op.
- Tag tilbehøret (c1), (c2) eller (c3) ud af multifunktionsarmen ved at skubbe tilbehøret mod armen og dreje en kvart omgang med uret.
- Tag skålen i rustfrit stål af.

DA

2 - BLENDE / BLANDE / RØRE (AFHÆNGIG AF MODELLEN)

Afhængig af de anvendte ingredienser kan man tilberede op til 1,25 l tynd dej med blenderskålen (d).

ANVENDT TILBEHØR:

- Blenderskål (d).

2.1 - MONTERING AF TILBEHØRET

- Sæt multifunktionsarmen (a3) i vandret position. Tryk på knappen (a2), og sænk multifunktionsarmen (a3) manuelt, indtil den sidder fast (drej knappen (a2) tilbage til den oprindelige position).
- Åbn klappen (a5) på udtaget (a4) ved at dreje den mod uret, og tag den af.
- Kontroller, at apparatet er standset, inden blenderskålen sættes fast (d).
- Sæt blenderskålen (d) fast på udtaget (a4) ved at dreje den med uret.
- Kom ingredienserne ned i blenderskålen, og sæt låget (d2) med doseringsproppen (d3) fast ved at dreje det mod uret.

2.2 - OPSTART

- Start apparatet ved at dreje hastighedsvælgeren (a1) på den ønskede position afhængig af opskriften. Brug "pulse" positionen for at have en bedre kontrol over tilberedningen.
Man kan tilsætte ingredienser gennem doseringsproppens åbning (d3) under tilberedningen.
- Stil knappen (a1) tilbage på "0" for at standse apparatet.

Gode råd:

Man kan tilberede:

- Fint blendede supper, saucer, cremer, frugtmos, milkshakes og cocktails.
- Tynd dej (til pandekager, beigneter, clafoutis, buddinger osv.).
- Hvis ingredienserne sidder fast på siderne af skålen under tilberedningen, stands apparatet, tag blenderskålen af, skub ingredienserne ned på klingens, og sæt derefter blenderskålen tilbage i apparatet for at genoptage tilberedningen.

2.3 - AFMONTERING AF TILBEHØRET

- Vent til apparatet er helt standset, før end du tager blenderskålen af ved at dreje den mod uret og sætte klappen (a5) på plads på udtaget (a4) (med uret).

3 - HAKKE (AFHÆNGIG AF MODELLEN)

ANVENDT TILBEHØR:

- Adapter til tilbehør (e)
- Hakkeudstyr (f)

3.1 - MONTERING AF ADAPTEREN TIL HAKKEUDSTYRET

- Tryk på knappen (a2) for at åbne multifunktionsarmen (a3), og løft den helt op.
- Anbring adapteren (e), og sæt den fast ved at dreje den mod uret, således at udtaget sidder i forlængelse af apparatet.
- Sæt multifunktionsarmen (a3) i vandret position ved at trykke en gang til på knappen (a2).

3.2 - MONTERING AF HAKKEUDSTYRET

DA

- Tag fat i metalhuset (f1) ved påfyldningstragten, og placer det sådan, at den største åbning vender opad.
- Før sneglen (f2) (med den lange akse først) ind i huset (f1).
- Sæt kniven (f3) på den korte akse, som går ud over sneglen (f2) således, at de skarpe kanter vender ud af.
- Sæt den valgte hulskive (f4 eller f5) på kniven (f3) således, at de to fremspring passer ind i husets to indhak (f1).
- Skru møtrikken (f6) godt fast på huset (f1) med uret uden at blokere det.
- Kontroller monteringen. Akslen må ikke have noget spil, og den må ikke kunne dreje rundt. I så fald skal forrige fremgangsmåde gentages.

3.3 - MONTERING AF HAKKEUDSTYRET PÅ APPARATET

- Hold hakkeudstyret (f) skråt til højre foran adapterens udtag (e) og før de to tilslutninger på hakkeudstyret ind i adapterens to indhak. Skub hakkeudstyret helt i bund i adapteren, og skub hakkeudstyrets påfyldningstragt lodret op, og drej den mod uret, indtil den sidder fast.
- Placer den aftagelige påfyldningsbakke (f8) på påfyldningstragten.

3.4 - OPSTART, GODE RÅD OG AFMONTERING

- Kontroller, at klappen (a5) sidder ordentligt fast (med uret) på udtaget (a4).
- Stil en skål foran apparatet, som tilberedningen kan falde ned i.
- Start apparatet ved at sætte hastighedsvælgeren (a1) på "3" eller "4".
- Kom kødet ned gennem påfyldningstragten et stykke ad gangen ved hjælp af nedstopperen (f7). **Skub aldrig ingredienserne ned med fingrene eller køkkenredskaber.**
- Drej hastighedsvælgeren tilbage på "0" for at standse apparatet, og vent til det er helt standset.
- Tag hakkeudstyret af ved at gå frem i modsat rækkefølge som for monteringen.

Gode råd:

- Forbered den mængde ingredienser, der skal hakkes (hvis det er kød, skal det udbenes, befris for sener og nerver og skæres i terninger på ca. 2x2 cm).
- Kontroller, at kødet er optøet.
- I slutningen af forarbejdningen kan man køre nogle små stykker brød igennem for at få alt det hakkede kød ud.

4 - RIVE / SNITTE (AFHÆNGIG AF MODELLEN)

ANVENDT TILBEHØR:

- Adapter til tilbehør (e)
- Grøntsagsjern (g)
- Cylindere (afhængig af model)

4.1 - MONTERING AF TILBEHØR

- Tryk på knappen (a2) for at åbne multifunktionsarmen (a3), og løft den helt op.
- Anbring adapteren (e), og sæt den fast ved at dreje den mod uret, således at udtaget sidder i forlængelse af apparatet.
- Sæt multifunktionsarmen (a3) i vandret position ved at trykke en gang til på knappen (a2).
- Kontroller, at klappen (a5) sidder ordentligt fast (med uret) på udtaget (a4).
- Hold cylinderholderen (g1) skråt til højre foran adapterens udtag (e), og før de to tilslutninger på cylinderholderen ind i adapterens to indhak. Skub den helt i bund, og skub holderens påfyldningstragt lodret op, og drej den mod uret, indtil den sidder fast.
- Sæt den ønskede cylinder ind i holderen, og kontroller, at den sidder helt inde i holderen.

4.2 - OPSTART OG GODE RÅD

- Stil en skål foran apparatet, som tilberedningen kan falde ned i.
- Start apparatet ved at sætte hastighedsvælgeren (a1) på "3" for at skære og på "4" for at rive.
- Kom ingredienserne ned gennem påfyldningstragten på holderen ved hjælp af nedstopperen (g2). **Skub aldrig ingredienserne ned med fingrene eller køkkenredskaber.**
- Drej hastighedsvælgeren tilbage på "0" for at standse apparatet, og vent til det er **helt standset**.
- Tag cylinderholderen af ved at gå frem i modsat rækkefølge som for monteringen.
- Med cylindrerne kan man:
 - Rive groft C (g4) / rive fint D (g5): Gulerødder, knoldselleri, kartofler, ost, m.m.
 - Snitte i tykke skiver A (g3): Kartofler, gulerødder, agurker, æbler, rødbeder, m.m.
 - Kartoffelrivejern E (g6): Kartofler, parmesan, m.m.

DA

5 - PRESSE SAFT FRA FRUGTER OG GRØNTSAFER (AFHÆNGIG AF MODEL)

ANVENDT TILBEHØR:

- Samlet saftcentrifuge (h)

5.1 - MONTERING AF SAFTCENTRIFUGEN

- Anbring filteret (h3) midt i beholderen (h4).
- Sæt låget fast: Drej det mod uret, og sæt låget (h2) fast på beholderen (h4) (position lukket hængelås).
- Lås hele systemet: Skub låsearmen (h6) hen til position lukket hængelås.

5.2 - MONTERING AF SAFTCENTRIFUGEN PÅ APPARATET

- Sæt multifunktionsarmen (a3) i vandret position. Tryk på knappen (a2), og sænk multifunktionsarmen (a3) manuelt, indtil den sidder fast (drej knappen (a2) tilbage til den oprindelige position).
- Åbn klappen (a5) på udtaget (a4), og tag den af ved at dreje den mod uret.
- Kontroller, at apparatet er standset, inden saftcentrifugen (d) sættes fast.
- Sæt den samlede saftcentrifuge fast på udtaget (a4) ved at dreje den med uret, således at udtaget på hældetuden sidder i forlængelse af apparatet.
- Sæt hældetuden (h5) på beholderen (h4).

5.3 - OPSTART OG GODE RÅD

- Stil et stort glas under hældetuden (h5).
- Start apparatet ved at sætte hastighedsvælgeren (a1) på "3".
- Skær frugterne og/eller grøntsager i stykker.
- Kom ingredienserne ned gennem åbningen i låget (h2), og skub dem forsigtigt ned med nedstopperen (h1). **Skub aldrig med fingrene eller køkkenredskaber.**
- Tilbered aldrig mere end 5 gange 500 g ingredienser ad gangen, uden at lade apparatet hvile et godt stykke tid.
- For at opnå et bedre resultat, anbefales det at rengøre filteret efter hver 300 g ingredienser.

- **Vigtigt:** Når beholderen med frugtkød er fuld, stands apparatet, og tøm beholderen.
- Drej hastighedsvælgeren tilbage på "0" for at standse apparatet, og vent til det er helt standset.
- **Vent indtil det roterende filter er helt standset, inden du tager saftcentrifugen ud.**
- Tag centrifugen ud ved at dreje den mod uret.
- Skub låsearmen (h6) hen til position åben hængelås. Åbn låget (position åben hængelås). Nu kan du tage filteret (h3) ud for at rengøre det og tømme beholderen (h4).

Gode råd:

- Du kan lave saft af: Gulerødder, tomater, æbler, vindruer, hindbær, m.m.
 - Skræl de frugter, der har tykke skræller, tag stenene ud, fjern den midterste del af ananas.
 - Det er ikke muligt at presse saft fra visse frugter og grøntsager: Bananer, avocadoer, brombær osv.
 - Man kan tilberede saft af forskellige frugter og grøntsager uden nødvendigvis at skulle rengøre saftcentrifugen hver gang. De forskellige smagsemner blandes ikke, og det er nok bare at hælde en smule vand ned i centrifugen og lade den køre lidt for at rense den, inden man kommer næste frugt eller grøntsag i.
- DA** • Den tilberedte saft skal hurtigt drikkes efter tilberedningen. Man kan eventuelt komme til citronsaft i for at gemme den et par timer i køleskabet.

6 - INDSTILLING AF LEDNINGENS LÆNGDE

For større brugervenlighed eller under opbevaring kan ledningens længde tilpasses ved at skubbe den ind i motorblokken (a) gennem åbningen bag på apparatet (a7).

7 - HAKKE SMÅ MÆNGDER MEGET FINT (AFHÆNGIG AF MODEL)

ANVENDT TILBEHØR:

- Samlet kværn

Kværnen kan bruges til at:

- Hakke følgende ingredienser på nogle få sekunder med pulsfunctionen: Tørrede figner, tørrede abrikoser osv.

Maks. mængde/tid: 100g / 5s

Denne kværn er ikke beregnet til at hakke hårde varer, såsom kaffe.

RENGØRING

- Tag stikket ud.
- Nedsenk aldrig motorblokken (a) eller adapteren (e) i vand, og hold dem aldrig under rindende vand. Tør dem af med en tør eller let fugtig klud.
- Det er lettere at rengøre tilbehøret, hvis det skylles hurtigt efter brug. Afmonter hele hakkeudstyret. **Vær altid forsigtig, når du håndterer klingerne, da de kan være meget skarpe.**
- Vask, skyl og tør tilbehøret af. Det kan vaskes i opvaskemaskinen undtaget metaldelene: Hus (f1), sneg (f2), kniv (f3), hulskiver (f4 og f5), møtrik (f6).
- Smør hulskiverne (f4) og (f5) og kniven (f3). Brug madolie til at smøre dem med.

Gode råd:

- Hvis tilbehøret er blevet misfarvet af fødevarer (gulerødder, appelsiner, m.m.), grib dem med en klud med lidt madolie, og rengør dem derefter på sædvanlig vis.
- Blenderskål (d): Hæld varmt vand tilsat et par dråber opvaskemiddel ned i blenderskålen. Luk låget. Stil blenderskålen i apparatet, og tryk et par gange på pulse-knappen. Tag skålen ud, skyld den under rindende vand, og lad den tørre (med bunden i vejret).

OPBEVARING

Opbevar ikke apparatet på et fugtigt sted.

HVIS APPARATET IKKE VIRKER?

Hvis apparatet ikke virker, kontroller:

- Om stikket er sat i.
- Om tilbehøret er sat ordentligt fast.
- Om klappen (a5) er låst, når udtaget (a4) ikke er i brug.
- Om multifunktionsarmen (a3) er låst fast i vandret position.

Denne køkkenmaskine er udstyret med en mikroprocessor, som kontrollerer og analyserer effekten, mens den kører. Hvis belastningen er for stor, standser apparatet automatisk. Tag nogle af ingredienserne ud for at starte apparatet igen, og sæt hastighedsvælgeren (a1) tilbage på position "0". Lad apparatet hvile i nogle minutter. Nu kan du vælge den ønskede hastighed for at gøre tilberedningen færdig.

Fungerer apparatet stadigvæk ikke? Kontakt et autoriseret serviceværksted (se listen i servicehæftet).

BORTSKAFFELSE AF EMBALLAGEN OG APPARATET



Emballagen består udelukkende af materialer, der er ufarlige for miljøet, og som kan bortskaffes i overensstemmelse med gældende regler for genbrug. Kontakt det lokale kommunekontor for at få at vide, hvordan du bortskaffer apparatet.

DA

BRUGTE ELEKTRONISKE ELLER ELEKTRISKE APPARATER



Tænk på miljøet!



Apparatet indeholder mange materialer, som kan genvindes eller genbruges.



Bring det til et specialiseret indsamlingscenter for genbrug, når det ikke skal bruges mere.

TILBEHØR

Du kan udbygge dit apparat med følgende tilbehør, som kan købes hos forhandleren eller på et autoriseret serviceværksted:

Skål i rustfrit stål Låg til skål i rustfrit stål Dejkrog Omrører Ballonpiskeris Blenderskål Saftcentrifuge Kværn	Adapter til tilbehør Hakkeudstyr Grøntsagsjern: <ul style="list-style-type: none"> - A: Snitte - C: Rive groft - D: Rive fint - E: Rive kartofler Pastatilbehør Purépresse Pastarulle
--	---

Vigtigt: Du kan ikke købe tilbehør uden at vise denne brugervejledning eller dit apparat.

OPSKRIFTER

FLØDESKUM

Ingredienser (til 6-8 personer): 25 cl meget kold fløde - 50 g flormelis.

Kom fløde og flormelis i den rustri stålskål med ballonpiskeriset og låget. Lad apparatet køre i 2 minutter på hastighed 4 og derefter i 3 minutter og 30 sekunder på maksimal hastighed.

MAYONNAISE

Ingredienser: 1 æggeblomme - 1 spsk. sennep - 1 tsk. vineddike - 25 cl olie - salt og peber.

Kom æg, sennep, vineddike, salt og peber i skålen i rustfrist stål med ballonpiskeriset og låget. Vælg hastighed 1. Lad piskeriset køre, og tilsæt langsomt olien i en tynd stråle. Skift til maksimal hastighed efter 10 sekunder. Lad piskeriset køre i endnu 30 sekunder, efter at olien er optaget i blandingen.

Godt råd: Tilsæt eventuel et knust fed hvidløg.

HVIDT BRØD

Ingredienser (til et brød på 800 g): 500 g mel - 300 ml lunkent vand - 10 g tørgær - 10 g salt.

Kom mel, salt og gær i den rustri stålskål. Sæt dejkrogen og låget på, og lad apparatet køre i nogle sekunder på hastighed 1. Tilsæt vand gennem åbningen på låget. Ælt i 8 minutter. Lad dejen hvile i ca. 1/2 time ved stuetemperatur. Ælt derefter dejen med hænderne, og form den til en kugle, som stilles på en smurt melet bageplade. Lad dejen hæve igen ca. 1 time på et lunt sted. Forvarm ovnen til 240 °C. Snit dejen med en kniv, og pensl den med lunkent vand. Stil en lille skål vand i ovnen: Dette gør skorpen mere gylden. Bag brødet i 40 minutter ved 240 °C.

Godt råd: Gæren må aldrig komme i direkte kontakt med salt eller sukker, da dette forhindrer gæren i at virke

MØRDEJ

Ingredienser (til en tærtbund på 350 g): 200 g mel - 100 g smør - 5 cl vand - knsp salt.

Kom mel, smør og salt i den rustri stålskål. Sæt dejkrogen og låget på, og kør apparatet på hastighed 1 i nogle sekunder. Tilsæt derefter vandet, samtidig med at apparatet kører. Lad apparatet køre, indtil dejen er fast. Dæk dejen til med husholdningsfilm, og lad den hvile køligt i mindst 1 time, inden den rulles ud og bages.

BRIOCHE

Ingredienser (til 6 personer): 250 g mel - 5 g salt - 25 g sukker 100 g smør - 2 hele æg og 1 æggeblomme - 3 spsk. lunken mælk - 2 spsk. vand - 5 g tørgær.

Kom mel i den rustfri stålskål, og form to fordybninger: Kom salt og sukker i den ene og gær, lunken mælk og vand i den anden. Salt og gær må ikke tilsættes sammen, da gæren reagerer i forbindelse med kontakt med salt. Tilsæt æggene, sæt dejkrogen og låget på. Vælg hastighed 1, og ælt i 15 sekunder. Skift derefter til hastighed 2 i 2 minutter 45 sekunder. Tilsæt smørret, der ikke må være for blødt (tag det ud af køleskabet en halv time før), uden at stoppe apparatet, og fortsæt med at ælte i 5 minutter på hastighed 2 og derefter på hastighed 3 i 5 minutter. Tildæk dejen, og lad den hæve i to timer ved stuetemperatur, slå derefter dejen ned i skålen med hånden. Dæk dejen til, og lad den efterhæve i to timer i køleskabet. Ælt den derefter igen i skålen. Dæk dejen til med husholdningsfilm, og lad den hvile i køleskabet natten over. Smør og mel en brødform dagen efter. Form dejen til en kugle. Læg dejen ned i brødformen, og lad den hæve på et lunt sted, indtil formen er fyldt op (ca. 2 til 3 timer). Stil formen i ovnen, og bag brødet ved 180 °C i 25 minutter.

Godt råd: Tilsæt chokoladestykker eller kandiserede frugter.

GRØNTSAGSKAGE

Ingredienser (til 6 personer): 200 g mel - 4 æg - 11 g tørgær - 10 cl mælk - 5 cl Olivenolie - 12 tørrede tomater - 200 g feta - 15 udstenede grønne oliven - 1 knsp. karry (valgfrit) - salt og peber.

Forvarm ovnen til 180 °C. Smør og mel en sandkageform. Bland mel, æg og gær sammen i den rustri stålskål med omrøreren og låget ved hastighed 1, og øg derefter hastigheden til position 3. Tilsæt olivenolie og kold mælk, og bland i 1 minut og 30 sekunder. Skift til hastighed 1, og tilsæt de tørrede tomater, feta, de grønne oliven (skåret i mindre stykker), karry, salt og peber. Hæld dejen over i sandkageformen, og bag kagen i 30 til 40 minutter, afhængig af ovnen. Stik i kagen under bagningen for at kontrollere, om den er færdig.

Gode råd: Man kan erstatte feta med mozzarella og tilsætte nogle hakkede basilikumblade.

CHOKOLADEKAGE

Ingredienser (til 8 personer): 200 g kagechokolade - 150 g sukker - 125 g mel - 125 g blødt smør - 4 æg - 20 cl fløde - 100 g mandelpulver (valgfrit) - 1 brev vanillesukker - 11 g bagepulver - 1 knsp. salt.

Forvarm ovnen til 180 °C. Smelt chokoladestykkerne over vandbad eller i mikrobølgeovnen med 3 spsk. vand. Tilsæt gradvist lidt smør under omrøring for at gøre chokoladen mere lind. Lad chokoladen køle lidt af. Adskil hviderne fra æggeblommerne. Læg æggehviderne til side. Kom æggeblommer, den smeltede chokolade, fløde, resten af smørret, sukker, vanillesukker og mandelpulver i den rustri stålskål med omrøreren og låget. Lad apparatet køre på hastighed 1 i 20 sekunder. Skift til hastighed 2, og tilsæt melet og bagepulveret gennem åbningen i låget. Lad apparatet køre i ca. 2 minutter, indtil dejen er lind. Hæld dejen over i en stor skål. Kom æggehviderne med en knsp. salt i den rengjorte skål i rustfrit stål med ballonpiskeriset, pisk hviderne på hastighed 5 i 1 minut og 45 sekunder, og skift derefter til maksimal hastighed i 30 sekunder. Vend forsigtigt de stive hvider i chokoladeblandingen med en skraber.

DA

Godt råd: Kagen kan serveres med creme anglaise eller vaniljeis.

Du kan finde flere ideer til opskrifter på www.tefal.com

Kiitos, että olet valinnut tämän laitteen, joka on tarkoitettu käytettäväksi ruoanvalmistukseen kotitalouksissa.

KUVAUS

<p>a - Moottoriyksikkö</p> <p>a1 Elektroninen nopeussäädin</p> <p>a2 Monitoimipään avauspainike (a3)</p> <p>a3 Monitoimipää</p> <p>a4 Pikaliitântä (sekoituskulho/mehulinko/survin)</p> <p>a5 Suojaluukku</p> <p>a6 Sekoitusosien liitântä (taikinakoukku, tiheä lankavispilä, sekoitusmela)</p> <p>a7 Tila johdon säilytystä varten</p> <p>b - Kulhon osat</p> <p>b1 Ruostumattomasta teräksestä valmistettu kulho</p> <p>b2 Kansi</p> <p>c - Sekoituslisätarvikkeet</p> <p>c1 Taikinakoukku</p> <p>c2 Sekoitusmela</p> <p>c3 Tiheä lankavispilä</p> <p>d - Sekoituskulho (mallikohtainen)</p> <p>d1 Kulho</p> <p>d2 Kansi</p> <p>d3 Annostelukorkki</p> <p>e - Kiinnityskappale (mallikohtainen)</p>	<p>f - Pilkkomispää (mallikohtainen)</p> <p>f1 Metallirunko</p> <p>f2 Ruuvi</p> <p>f3 Leikkuri</p> <p>f4 Isoaukkoisen levy</p> <p>f5 Pieni-aukkoisen levy</p> <p>f6 Mutteri</p> <p>f7 Syöttöpainin</p> <p>f8 Taso</p> <p>g - Raastinosa (mallikohtainen)</p> <p>g1 Rumpukotelo</p> <p>g2 Syöttöpainin</p> <p>g3 Viipaloitintirumpu A</p> <p>g4 Karkean raasteen rumpu C</p> <p>g5 Hienon raasteen rumpu D</p> <p>g6 Perunaraastin E</p> <p>h - Mehulinko (mallikohtainen)</p> <p>h1 Syöttöpainin</p> <p>h2 Kansi</p> <p>h3 Pyörivä suodatin</p> <p>h4 Astian runko</p> <p>h5 Kaatonokka</p> <p>h6 Lukitusvipu</p>
--	--

FI

TURVAOHJEET

- Lue käyttöohjeet huolella ennen laitteen ensimmäistä käyttökertaa ja säilytä ne. Valmistaja ei ole vastuussa virheellisestä käytöstä.
- Tätä laitetta ei ole tarkoitettu sellaisten henkilöiden (mukaan lukien lapset) käytettäväksi, joiden ruumiilliset tai henkiset kyvyt ovat rajalliset, tai kokemattomille käyttäjille, jos he eivät saa apua turvallisuudestaan huolehtivilta henkilöiltä, jotka valvovat ja antavat heille laitteen käyttöä koskevia ohjeita. Älä anna lasten leikkiä laitteella.
- Tarkista, että laitteen jännite vastaa sähköverkkosi jännitettä. **Virheellinen sähköliitântä kumoaa takuun.**
- Laite on tarkoitettu ruoanvalmistukseen kotitalouksissa ja sisätiloissa alle 2000 m:n korkeudessa. Laitetta tulee valvoa käytön aikana.
- Puhdista ennen ensimmäistä käyttökertaa ne osat, jotka tulevat kosketuksiin ruokien kanssa. Katso ohjeet Käyttöönotto-osiosta. Puhdista osat myös jokaisen käytön jälkeen (katso Puhdistus-osiota). Laitteen huoltoa ja puhdistusta koskevat ohjeet ovat Puhdistus-osiassa.

- Irrota laite sähköverkosta, kun et enää käytä sitä sekä kokoamisen, purkamisen ja puhdistuksen ajaksi.
- Älä käytä laitetta, jos se ei toimi kunnolla tai on vahingoittunut. Ota yhteys valtuutettuun huoltokeskukseen (luettelo mukana toimitetussa kirjasessa).
- Kaikki muut toimenpiteet puhdistusta ja tavallista huoltoa lukuun ottamatta tulee jättää valtuutetun huoltokeskuksen tehtäväksi (luettelo huoltokeskuksista on mukana toimitetussa kirjasessa).
- Älä laita laitetta, sähköjohtoa tai pistoketta veteen tai muuhun nesteeseen.
- Sähköjohtoa ei saa koskaan jättää lasten ulottuville, laitteen kuumien osien lähelle tai kosketuksiin niiden kanssa, lähelle lämmönlähdettä tai terävälle kulmalle.
- Älä käytä laitetta, jos sähköjohto tai pistoke on vahingoittunut. Vaaratilanteen välttämiseksi vahingoittuneet osat tulee ehdottomasti toimittaa valtuutetun huoltokeskuksen vaihdettavaksi (luettelo mukana toimitetussa kirjasessa).
- Älä laita lisätarvikkeita mikroaaltouuniin.
- Älä käytä muita kuin valtuutetun myyjän toimittamia lisätarvikkeita ja alkuperäisvaraosia oman turvallisuutesi vuoksi.
- Laitteen virheellisestä käytöstä voi seurata vammoja.
- Leikkuuosat (d, f, g) ovat erittäin teräviä ja voivat aiheuttaa vammoja. Käsittele niitä varovasti kulhon tyhjennyksen, leikkuuosien kiinnittämisen tai irrottamisen ja laitteen puhdistuksen yhteydessä.
- Irrota aina sekoituskulho (d) ja mehulinko (h), ennen kuin käytät monitoimipään (a3) avauspainiketta (a2).
- Kun käytät pilkkomispäätä (f), ohjaa ruoat täyttöaukkoon aina syöttöpainimella (f7). Älä koskaan käytä sormia, haarukkaa, lusikkaa, veistä äläkä mitään muuta esinettä.
- Älä koske liikkuvia osia. Anna aina osien pysähtyä kokonaan ennen lisätarvikkeiden irrotusta.
- Älä koske vispilöitä äläkä taikinakoukkaa laitteen ollessa toiminnassa.
- Varo, etteivät pitkät hiukset, huivit, solmiot tms. joudu laitteeseen sen ollessa toiminnassa.
- Älä koskaan työnnä keittiövälineitä (esim. lusikkaa tai paistinlastaa) kansien (b2), (d2) tai (h2) syöttöaukkoon äläkä rumpukoteloon (g1).
- Älä käytä sekoituskulhoa (d1) ilman kantta (d2).
- Käytä vain yhtä lisätarviketta kerrallaan.
- Älä kaada sekoituskulhoon kiehuvaa nestettä.
- Älä käytä sekoituskulhoa tyhjänä.
- Älä käytä sekoituskulhoa ilman kantta.
- Älä poista kantta, ennen kuin laite on pysähtynyt kokonaan.

- Aseta sekoituskulhoon aina nestemäiset ainekset ennen kiinteitä aineita.
- Älä käytä kulhoja (b1, d1) astioina (pakastukseen, keittämiseen tai sterilisointiin).
- Älä käytä mehulinkoa, jos pyörivä suodatin (h3) tai kansi (h2) on vaurioitunut tai siinä näkyy halkeamia.
- Katkaise laitteen virta ja irrota laite virtalähteestä, ennen kuin vaihdat lisälaitteita tai lähestyt käytön aikana liikkuvia osia.
- Ole varovainen, kun kaadat kuumaa nestettä laitteen kulhoon, sillä se voi kiehahda nopeasti ja roiskua ulos laitteesta.
- Laitetta ei ole tarkoitettu seuraaviin kotitalousmaisiin käyttökohteisiin (takuu ei koske tällaista käyttöä):
 - kauppojen, toimistojen ja muiden työpaikkojen keittiötilat
 - maatilat
 - hotellien, motellien ja muiden majoituspalvelujen asiakkaat
 - aamiaismajoitustyyppiset palvelut.
- **Katso ohjeita kuvista ja osioista Lisätarvikkeiden asennus ja Lisätarvikkeiden irrotus, kun asennat lisätarvikkeita laitteeseen ja irrotat niitä.**
- **Katso käyttöohjeesta kullekin lisätarvikkeelle sopivat nopeudet ja käyttöaika.**
- Lapset eivät saa käyttää laitetta. Älä jätä laitetta tai sen sähköjohtoa lasten ulottuville.
- Älä anna lasten leikkiä laitteella.
- Sellaiset henkilöt, joiden ruumiilliset tai henkiset kyvyt ovat rajalliset, tai joilla ei ole riittävästi kokemusta tai tietoa, voivat käyttää tätä laitetta, jos käyttöä valvotaan tai heille on annettu laitteen turvallista käyttöä koskevia ohjeita ja he ymmärtävät hyvin siihen liittyvät vaarat.
- Vähintään 8-vuotiaat lapset voivat käyttää tiheää lankavispilää (c3) sekä hienoa ja karkeaa raastinosaa (g5 et g4), jos käyttöä valvotaan tai heille on annettu laitteen turvallista käyttöä koskevia ohjeita ja he ymmärtävät hyvin siihen liittyvät vaarat. Lapset eivät saa puhdistaa tai huoltaa laitetta, paitsi jos lapsi on vähintään 8-vuotias ja aikuisen valvonnassa. Säilytä laite ja sähköjohto poissa alle 8-vuotiaiden lasten ulottuvilta.

FI

KÄYTTÖNOTTO

- ese ennen ensimmäistä käyttökertaa kaikki osat paitsi sovitin (e) saippuavedellä. (Katso Puhdistus-osio.) Huuhtelee ja kuivaa.
- Aseta laite tasaiselle, puhtaalle ja kuivalle pinnalle ja varmista, että nopeudensäädin (a1) on 0-asennossa. Kytke laite sähköverkkoon.

- Voit käynnistää laitteen usealla tavalla:
 - **Ajoittainen käyttö (sykäystoiminto):** Käännä nopeudensäädin (a1) sykäysasentoon. Lyhyillä sykäyksillä hallitset parhaiten ruoanvalmistusta.
 - **Jatkuva käyttö:** Käännä nopeudensäädin (a1) haluamaasi asentoon 1-asetuksen ja enimmäisasetuksen välillä valmistettavan ruoan mukaan.

Voit vaihtaa nopeutta käytön aikana.

- Sammuta laite siirtämällä säädin (a1) takaisin 0-asentoon.

Tärkeää: Laitetta ei voi käynnistää, elleivät kansi (a5) ja pää (a3) ole lukittuina. Jos avaat kannen (a5) ja/tai pään (a3) käytön aikana, laite pysähtyy. Sulje kansi ja/tai pää uudestaan, siirrä säädin (a1) takaisin 0-asentoon ja jatka laitteen käyttöönottoa normaalisti valitsemalla haluamasi nopeus.

Keittiövälineessäsi on mikroprosessori, joka ohjaa ja analysoi toiminnan tehoa. **Jos teho on liikaa, laite pysähtyy itsekseen.** Voit käynnistää laitteen uudestaan siirtämällä säätimen (a1) 0-asentoon ja poistamalla osan ruoista. Anna laitteen levätä hetken. Sitten voit valita haluamasi nopeuden ja jatkaa käyttöä.

Kappaleiden numerointi vastaa kuvien numerointia.

FI

1 - SEKOITUS / TAIKINAN ALUSTUS / VATKAUS / EMULGOINTI / VAAHDOTUS

Ainesosien ominaisuuksista riippuen voit valmistaa enintään 1,8 kg taikinaa käyttämällä ruostumattomasta teräksestä valmistettua kulhoa (b1) ja sen kantta (b2).

KÄYTETYT LISÄTARVIKKEET:

- Ruostumattomasta teräksestä valmistettu kulho (b1)
- Kansi (b2)
- Taikinakoukku (c1) tai sekoitusmela (c2) tai tiheä lankavispilä (c3)

1.1 - LISÄTARVIKKEIDEN ASENNUS

- Paina painiketta (a2), jolloin monitoimipään (a3) lukitus avautuu, ja nosta päätä pysäyttimeen saakka.
- Lukitse teräskulho (b1) (kääntämällä myötäpäivään) laitteeseen ja lisää sinne ainekset.
- Asenna haluamasi lisätarvike (c1, c2 tai c3) liitäntään (a6), paina ja kierrä neljänneskierroksen verran vastapäivään lisätarvikkeen lukitsemiseksi paikalleen.
- Laske monitoimipäätä (a3) taas vaaka-asentoon painamalla painiketta (a2) ja laskemalla monitoimipäätä (a3) käsin, kunnes se lukittuu. Palauta painike (a2) takaisin alkuasentoonsa.
- Liu'uta kansi (b2) teräskulhon (b1) päälle.

Huomio: Kannen käyttö ei ole pakollista. Se estää kuitenkin aineiden roiskumisen.

- Varmista, että luukku (a5) on kunnolla paikallaan (lukittuna myötäpäivään kääntämällä) pikaliitännässä (a4).

1.2 - KÄYNNISTYS

Käynnistä kääntämällä nopeudensäädinpainiketta (a1) reseptin mukaiseen asentoon.

- Laite käynnistyy heti.
Voit lisätä aineksia kannen (b2) aukosta valmistuksen aikana.
- Sammuta laite siirtämällä säädin (a1) takaisin 0-asentoon.

Ohjeita:

- Taikinan sekoittaminen

- Käytä taikinakoukku (c1) ja nopeutta 1.

Voit sekoittaa enintään 500 g jauhoja (esim.: vaaleaa leipää, moniviljaleipää, murotaikinaa tai makeaa murotaikinaa).

- Sekoitus

- Käytä sekoitusmelaa (c2) 1-nopeuden ja enimmäisnopeuden välillä.

Voit sekoittaa enintään 1,8 kg kevyttä taikinaa (esim. sokerikakku- tai keksitaikina).

- Älä käytä sekoitusmelaa (c2) raskaiden taikainoiden vaivaamiseen.

- Vatkaus/emulgointi/vaahdotus

- Käytä tiheää lankavispilää (c3) **1-nopeuden ja enimmäisnopeuden välillä.**

- Voit valmistaa esim. majoneesia, valkosipulimajoneesia, kastikkeita, munanvalkuaisvaahtoa (enintään 8 valkuaisesta) tai kermavaahtoa (enintään 500 ml).

- Älä käytä tiheää lankavispilää (c3) raskaiden taikainoiden vaivaamiseen äläkä kevyiden taikainoiden sekoittamiseen.

1.3 - LISÄTARVIKKEIDEN IRROTUS

• Odota, että laite pysähtyy kokonaan.

• Poista kansi (b2).

• Avaa monitoimipää (a3) painikkeella (a2) ja nosta pää yläasentoon.

• Irrota lisätarvike (c1), (c2) tai (c3) monitoimipäädästä painamalla lisätarviketta päätä kohden ja kääntämällä sitä neljänneskierroksen verran myötäpäivään.

• Irrota teräskulho.

FI

2 - HOMOGENOINTI/SEKOITUS/VATKAUS (MALLIKOHTAINEN)

Ruoka-aineiden tyypistä riippuen voit valmistaa sekoituskulhossa (d) enintään 1,5 l paksuja sekoituksia ja 1,25 l nestemäisiä sekoituksia.

KÄYTETYT LISÄTARVIKKEET:

- Sekoituskulho (d).

2.1 - LISÄTARVIKKEIDEN ASENNUS

• Aseta monitoimipää (a3) vaaka-asentoon painamalla painiketta (a2) ja laskemalla monitoimipäätä (a3) käsin, kunnes se lukittuu. Palauta painike (a2) takaisin alkuasentoonsa.

• Irrota suojaluukku (a5) pikaliitännästä (a4) kääntämällä sitä vastapäivään. Irrota luukku.

• Varmistu, että laite on pysähtynyt, ennen kuin irrotat sekoituskulhon (d).

• Lukitse sekoituskulho (d) liitántään (a4) kääntämällä sitä myötäpäivään.

• Aseta ainekset sekoituskulhoon ja lukitse annostelutulpalla (d3) varustettu kansi (d2) kääntämällä sitä vastapäivään.

2.2 - KÄYNNISTYS

• Käynnistä kääntämällä nopeudensäädinpainiketta (a1) reseptin mukaiseen asentoon.

Sykästoiminnolla voit hallita sekoitusta paremmin ja lopputuloksesta tulee tasaisempi.

Voit lisätä aineksia annostelutulpan (d3) aukosta valmistuksen aikana.

• Sammuta laite siirtämällä säädin (a1) takaisin 0-asentoon.

Ohjeita:

Voit valmistaa seuraavia ruokia:

- hienoksi sekoitettuja keittoja, kastikkeita, kompotteja, pirtelöitä tai cocktaileja

- kevyitä taikinoita (lettuja, munkkeja, hedelmäkakkuja tai luumupannukakua).

- Jos ainekset tarrautuvat sekoituskulhon seinämiin sekoituksen aikana, pysäytä laite, irrota sekoituskulho ja pudota ainekset terille. Aseta sitten sekoituskulho takaisin ja jatka valmistusta.

2.3 - LISÄTARVIKKEEN IRROTUS

• Odota, että laite on pysähtynyt kokonaan, ja irrota sitten sekoituskulho lukituksesta kääntämällä sitä vastapäivään. Laita sitten luukku (a5) takaisin paikoilleen lukitsemalla se liitántään (a4) (myötäpäivään).

3 - PILKKOMINEN (MALLIKOHTAINEN)

KÄYTETYT LISÄTARVIKKEET:

- Kiinnityskappale (e)
- Pilkkomispää koottuna (f)

3.1 - PILKKOMISSOVITTIMEN ASENNUS

- Paina painiketta (a2), jolloin monitoimipään (a3) lukitus avautuu, ja nosta päättä pysäyttimeen saakka.
- Aseta sovitin (e) paikalleen ja lukitse se kiertämällä vastapäivään siten, että liitäntä on laitteen pitkässä osassa.
- Palauta monitoimipää (a3) vaaka-asentoon painamalla uudestaan painikkeesta (a2).

3.2 - PILKKOMISPÄÄN KOKOAMINEN

- Tartu runkoon (f1) täyttöaukosta ja sijoita suurin aukko ylöspäin.
- Vie ruuvi (f2) (pitkä akseli edellä) runkoon (f1).
- Aseta leikkuri (f3) ruuvien (f2) yli ulottuvalle lyhyelle akselille ohjaamalla terävät reunat ulospäin.
- Aseta valitsemasi levy (f4 tai f5) leikkurille (f3) ohjaamalla kaksi hakasta rungon (f1) kahteen loveen.
- Kierrä voimakkaasti mutteria (f6) runkoon (f1) myötäpäivään lukitsematta sitä kuitenkaan täysin.
- Tarkista asennus. Akselissa ei saa olla välystä eikä se saa päästä kääntymään itsensä ympäri. Jos niin on, suorita edellä mainitut vaiheet uudestaan.



3.3 - PILKKOMISPÄÄN ASENNUS LAITTEeseen

- Vie koottu pilkkomispää (f) oikealle kallistettuna sovittimen (e) liitäntään ja varmista, että pilkkomispään kaksi uloketta osuvat kohdakkain sovittimen kahden loveen kanssa. Kiinnitä pilkkomispään pohja sovittimeen ja nosta paloittelupään täyttöaukkoa vastapäivään pystysuoraan asentoon, kunnes se lukittuu paikalleen.
- Aseta irrotettava taso (f8) täyttöaukkoon.

3.4 - KÄYNNISTYS, NEUVOT JA PURKU

- Varmista, että suojaluukku (a5) on lukittuna (myötäpäivään) pikaliitännässä (a4).
- Aseta laitteen eteen astia, johon voit kerätä valmiin ruoan.
- Käynnistä laite kääntämällä säädintä (a1) nopeuteen 3 tai 4.
- Laita liha täyttöaukkoon pala palalta syöttöpainimen (f7) avulla. **Älä koskaan työnnä aineksia täyttöaukkoon sormin tai keittiövälineillä.**
- Sammuta laite kääntämällä säädin nopeudelle 0 ja odota, että laite pysähtyy kokonaan.
- Avaa pilkkomispää kääntämällä vastakkaiseen suuntaan kuin asennettaessa.

Ohjeita:

- Valmistelemme kaikki pilkottavat ainekset (poista lihasta luut, rustot ja jätteet ja leikkaa n. 2 x 2 cm:n paloiksi).
- Varmista, että liha on sulaa.
- Kun lopetat käytön, voit työntää syöttöaukkoon pieniä leipäpaloja, jotta kaikki paloittelutähteet poistuvat.

4 - RAASTO/VIIPALOINTI (MALLIKOHTAINEN)

KÄYTETYT LISÄTARVIKKEET:

- Kiinnityskappale (e)
- Koottu raastinosa (g)
- Rummut (mallikohtainen)

4.1 - LISÄTARVIKKEIDEN ASENNUS

- Paina painiketta (a2), jolloin monitoimipään (a3) lukitus avautuu, ja nosta päättä pysäyttimeen saakka.
- Aseta sovitin (e) paikalleen ja lukitse se kiertämällä vastapäivään siten, että liitäntä on laitteen pitkässä osassa.

- Palauta monitoimipää (a3) vaaka-asentoon painamalla uudestaan painikkeesta (a2).
- Varmista, että suojaluukku (a5) on lukittuna (myötöpäivään) pikaliitännässä (a4).
- Vie rumpukotelo (g1) oikealle kallistettuna kohti sovittimen (e) liitäntää ja varmista, että rumpukotelon kaksi uloketta osuvat kohdakkain sovittimen kahden loven kanssa. Kiinnitä rumpuosa pohjasta ja nosta kotelon syöttöaukkoa vastapäivään pystyasentoon, kunnes se lukittuu.
- Työnnä rumpusäiliöön valitsemasi rumpu ja varmista, että se on kokonaan kotelossa.

4.2 - KÄYNNISTYS JA NEUVOJA

- Aseta laitteen eteen astia, johon voit kerätä valmiin ruoan.
- Käynnistä laite kääntämällä säädintä (a1) nopeuteen 3, jos haluat viipaleita tai nopeuteen 4, jos haluat raastetta.
- Vie ainekset kotelon syöttöaukosta ja ohjaa ne syöttöpainimen (g2) avulla. **Älä koskaan paina aineksia sormin äläkä keittiövälineillä.**
- Sammuta laite kääntämällä säädin nopeudelle 0 ja odota, **että laite** pysähtyy kokonaan.
- Avaa rumpukotelo kääntämällä vastakkaiseen suuntaan kuin asennettaessa.
- Voit käyttää rumpuja seuraavasti:
 - Karkea raastinosa C (g4) ja hieno raastinosa D (g5) soveltuvat esim. porkkanoiden, juurisellerin, perunoiden tai juuston raastamiseen.
 - Viipalointiosalla A (g3) saat paksuja viipaleita esim. perunoista, porkkanoista, kurkusta, omenoista tai punajuurista.
 - Perunaraastimella E (g6) voit raastaa esim. perunoita ja parmesania.

FI

5 - HEDELMÄ- JA VIHANNESMEHULINKO (MALLIKOHTAINEN)

KÄYTETYT LISÄTARVIKKEET:

- koottu mehulinko (h).

5.1 - MEHULINGON KOKOAMINEN

- Aseta suodatin (h3) astian rungon (h4) keskelle.
- Lukitse kansi kääntämällä vastapäivään ja lukitsemalla kansi (h2) astian runkoon (h4) (suljetun riippulukon kuva).
- Yleislukitus: paina lukitusvipu (h6) suljetun riippulukon kuvaan.

5.2 - MEHULINGON ASETUS LAITTEeseen

- Aseta monitoimipää (a3) vaaka-asentoon painamalla painiketta (a2) ja laskemalla monitoimipäätä (a3) käsin, kunnes se lukittuu. Palauta painike (a2) takaisin alkuasentoonsa.
- Avaa luukku (a5) liitännästä (a4) kääntämällä sitä vastapäivään ja irrota se.
- Varmistu, että laite on pysähtynyt, ennen kuin lukitset lingon (h).
- Lukitse mehulinko liitäntään (a4) kääntämällä sitä myötöpäivään siten, että kaatonokan liitäntä on kohdistettuna laitteen kanssa.
- Liitä kaatonokka (h5) astian runkoon (h4).

5.3 - KÄYNNISTYS JA NEUVOJA

- Aseta suuri lasi kaatonokan (h5) alle.
- Käynnistä laite kääntämällä säädintä (a1) nopeuteen 3.
- Paloittele hedelmät ja/tai vihannekset.
- Vie ainekset kannen (h2) syöttöaukosta ja paina niitä hitaasti syöttöpainimella (h1). **Älä koskaan paina aineksia sormin äläkä keittiövälineillä.**
- Käsittele enintään 5 kertaa 500 g aineksia antamatta laitteen levätä kunnolla välillä.
- Saat parhaat tulokset, kun puhdistat suodattimen aina 300 gramman välein.
- **Tärkeää:** Kun jätessäsi öliä on täynnä, pysäytä laite ja tyhjennä astian runko.
- Sammuta laite kääntämällä säädin nopeudelle 0 ja odota, että laite pysähtyy kokonaan.
- **Odota, että pyörivät suodatin pysähtyy kokonaan, ennen kuin irrotat kokonaisuuden laitteesta.**

- Avaa lingon lukitus poistoa varten kääntämällä linkoa vastapäivään.
- Siirrä lukitusvipu (h6) suljetun riippulukon kuvan kohdalle. Avaa kansi (avatun riippulukon kuva). Voit irrottaa suodattimen (h3) puhdistusta varten ja tyhjentää astian rungon (h4).

Ohjeita:

- Voit valmistaa mehuja esimerkiksi porkkanoista, tomaateista, omenoista, viinirypäleistä ja mansikoista.
- Kuori paksukuoriset hedelmät, poista siemenet ja irrota ananaksen keskiosa.
- Joistakin hedelmistä ja kasviksista ei saa mehua. Tällaisia ovat esimerkiksi banaanit ja avokadot.
- Voit valmistaa mehua eri hedelmistä ja kasviksista puhdistamatta linkoa aina välillä, sillä maut eivät sekoitu. Riittää, että huuhtelet lingon eri mehujen välillä käyttämällä siellä hieman vettä.
- Juo mehut nopeasti valmistuksen jälkeen. Sitruunamehulla saat mehun säilymään tuoreena muutaman tunnin.

6 - JOHDON PITUUDEN SÄÄTÄMINEN

Jotta laitteen käyttö ja säilytys olisi käytännöllistä, voit lyhentää johdon pituutta työntämällä sitä moottoriyksikön (a) sisään takaosassa olevan aukon kautta (a7).

7 - PIENTEN MÄÄRIEN PALOITTELU HYVIN HIEKOKSI (MALLIKOHTAINEN)

FI

KÄYTETTY LISÄTARVIKE:

- survin koottuna.

Survimella voit:

- Paloitella sykäystoiminnolla muutaman sekunnin kerrallaan esim. kuivia viikunoita ja aprikooseja.

Määrä/enimmäisaika: 100 g / 5 s

Survinta ei ole tarkoitettu koville tuotteille, kuten kahvipavuille.

PUHDISTUS

- Katkaise sähkövirta.
- Älä upota moottoriyksikköä (a) äläkä sovitinta (e) veteen äläkä juoksevan veden alle. Pyyhi ne kuivalla tai hieman kostealla liinalla.
- Jotta puhdistaminen kävisi helpommin, huuhtelee lisätarvikkeet joka käytön jälkeen. Pura pilkkomispää kokonaan. **Käsittele teriä varovasti, jotta et loukkaa itseäsi.**
- Pese, huuhtelee ja kuivaa lisätarvikkeet. Ne voi pestä astianpesukoneessa pilkkomispään metalliosia runkoa (f1), ruuvia (f2), leikkuria (f3), levyjä (f4 ja f5) ja mutteria (f6) lukuun ottamatta.
- Levyjen (f4) ja (f5) ja leikkurin (f3) on oltava voideltuja. Huolla niitä ruokaöljyllä.

Vihjeitä:

- Jos jotkut ruoka-aineet (esim. porkkana tai appelsiini) värjäävät lisätarvikkeita, hankaa lisätarviketta ruokaöljyssä kotutetulla kankaalla ja puhdistaa sen jälkeen tavalliseen tapaan.
- Sekoituskulho (d): Kaada kuumaa saippuavettä sekoituskulhoon. Sulje kansi. Aseta kulho laitteeseen ja käytä sykäystoimintoa muutaman kerran. Poista kulho, huuhtelee se juoksevalla vedellä ja anna kuivua (alassuun).

SÄILYTYS

Älä säilytä laitetta kosteassa tilassa.

MITÄ TEHDÄ, JOS LAITE EI TOIMI?

Jos laite ei toimi, tarkista seuraavat asiat:

- Sähkövirta on kytketty päälle.
- Kaikki osat on kiinnitetty oikein.
- Suojaluukku (a5) on paikoillaan ja lukittu, kun pikaliitäntää (a4) ei käytetä.
- Monitoimipään vaakalukitus (a3).

Keittövälineessäsi on mikroprosessori, joka ohjaa ja analysoi toiminnan tehoa. Jos teho on liikaa, laite pysähtyy itsekseen. Voit käynnistää laitteen uudestaan siirtämällä säätimen (a1) 0-asentoon ja poistamalla osan ruoista. Anna laitteen levätä hetken. Sitten voit valita haluamasi nopeuden ja jatkaa käyttöä.

Eikö laitteesi vieläkään toimi? Ota yhteys valtuutettuun huoltokeskukseen (luettelo huoltokeskuksista on mukana toimitetussa kirjasessa).

LAITTEEN PAKKAUSMATERIAALIN HÄVITTÄMINEN



Pakkausmateriaali ei ole ympäristölle haitallinen, ja se voidaan kierrättää tai hävittää tavallisten jätteiden mukana. Ota selvää paikallisista määräyksistä itse laitteen hävittämistä varten.

SÄHKÖLAITE TAI ELEKTRONINEN LAITE KÄYTTÖIKÄNSÄ LOPUSSA

FI



Suojele ympäristöä!



Laitteessa on lukuisia materiaaleja, jotka voidaan kerätä talteen tai kierrättää.



Toimita laite kierrätyskeskukseen.

LISÄTARVIKKEET

Voit hankkia seuraavia lisätarvikkeita myyjältä ja valtuutetuista huoltokeskuksista:

Ruostumattomasta teräksestä valmistettu kulho	Kiinnityskappale
Ruostumattomasta teräksestä valmistetun kulhon kansi	Pilkkomispää
Taikinakoukku	Raastimet:
Sekoitusmela	- A: viipalointiosa
Tiheä lankavispilä	- C: karkea raastin
Sekoituskulho	- D: hieno raastin
Mehulinko	- E: perunaraastin
Survin	Pasta Kit
	Soseutukseen erikoistunut lisälaite
	Lisälaite pastalle

Huomio: Mitään lisätarviketta ei voida myydä ilman käyttöohjeen tai laitteen esittämistä.

RESEPTJÄ

KERMAVAAHTO

Ainekset (6/8 annosta): 2,5 dl kylmää ranskankermaa - 50 g tomosokeria.

Kiinnitä teräskulhoon tiheä lankavispilä ja kansi ja laita kulhoon ranskankerma ja tomosokeri. Sekoita 4-nopeudella 2 minuuttia ja sitten suurimmalla nopeudella 3 minuuttia 30 sekuntia.

MAJONEESI

Ainekset: 1 munankeltuainen - 1 rkl sinappia - 1 tl viinietikkaa - 2,5 dl öljyä - suolaa ja pippuria.

Kiinnitä teräskulhoon tiheä lankavispilä ja kansi ja lisää kananmunankeltuainen, sinappi, viinietikka, suola ja pippuri. Valitse nopeus 1. Käytä vispilää ja ala kaataa öljyä ohuena nauhana. Vaihda suurimmalle nopeudelle 10 sekunnin kuluttua. Kun öljy on sekoittunut, sekoita vispilällä vielä 30 sekuntia.

Vihje: halutessasi voit lisätä raastetun valkosipulinkynnen.

VAALEA LEIPÄ

Ainekset (800 g:n leipä): 500 g jauhoja - 3 dl lämmintä vettä - 10 g kuivahiivaa - 10 g suolaa.

Kaada jauhot, suola ja hiiva teräskulhoon. Kiinnitä taikinakoukku ja kansi ja sekoita muutama sekunti 1-nopeudella. Lisää lämmintä vettä kannen aukosta. Sekoita taikinaa 8 minuuttia. Anna taikinan nousta lämpimässä tilassa noin ½ tunnin ajan. Vaivaa taikinasta käsin pyöreä leipä ja aseta se voidellulle ja jauhotetulle uunipellille. Kohota vielä 1 tunnin ajan lämpimässä paikassa. Lämmitä uuni 240 asteeseen. Tee leipään viiltoja terävällä veitsellä ja sivele pinnalle lämmintä vettä leivontasudilla. Aseta uuniin myös pieni astia täynnä vettä. Se tekee pinnasta rapean. Paista 40 minuuttia 240 asteessa.

Vihje: hiiva ei saa osua suoraan sokeriin tai suolaan, sillä ne estävät hiivan toiminnan.

MUROTAIKINA

Ainekset (350 g:n piirakkapohja): 200 g jauhoja - 100 g voita - 0,5 dl vettä - hyppysellinen suolaa.

Kaada teräskulhoon jauhot, voi ja suola. Kiinnitä taikinakoukku ja kansi ja käytä laitetta 1-nopeudella muutaman sekunnin ajan. Kaada sitten sekaan vesi sekoittaen koko ajan. Sekoita taikinaa, kunnes se on pyöreänmuotoinen. Anna taikinan levätä vähintään 1 tunnin ajan kelmun peitossa ennen leipomista ja paistamista.



BRIOSSI

Ainekset (6 annosta): 250 g jauhoja - 5 g suolaa - 25 g sokeria - 100 g voita - 2 kokonaista kananmunaa ja 1 munankeltuainen - 3 rkl lämmintä maitoa - 2 rkl vettä - 5 g kuivahiivaa.

Kaada jauho teräskulhoon ja tee siihen kaksi koloa: laita toiseen suola ja sokeri ja toiseen hiiva, lämmin maito sekä vesi. Suolaa ja hiivaa ei pidä yhdistää, koska suola estää hiivaa toimimasta. Lisää kananmunat ja aseta paikoilleen taikinakoukku ja kansi. Valitse nopeus 1 ja sekoita taikinaa 15 sekuntia. Siirry sitten 2-nopeudelle 2 minuuttia ja 45 sekuntia. Pysäyttämättä laitetta lisää voi, joka ei saa olla liian pehmeää (puolisen tuntia huoneenlämpötilassa). Jatka vaivaamista noin viisi minuuttia 2-nopeudella ja sitten viisi minuuttia nopeudella 3. Peitä taikina ja anna sen nousta kaksi tuntia huoneenlämmössä. Vaivaa sitten taikinaa voimakkaasti käsin ja läiskytä sitä kulhoa vasten. Peitä taikina ja anna sen nousta taas kaksi tuntia jääkaapissa. Vaivaa taas taikinaa käsin ja taputtele sitä kulhoa vasten. Peitä sitten taikina kelmuun ja anna sen kohota yön yli jääkaapissa. Seuraavana päivänä voitele ja jauhota leipävuoka. Muovaa taikina palloksi. Aseta taikinapallo vuokaan ja anna turvota kuumassa paikassa, kunnes vuoka on täyttynyt (2–3 tuntia). Paista 180 asteessa 25 minuutin ajan.

Vihje: lisää suklaanpaloja tai liemeen säilöttyjä hedelmiä.

SUOLAINEN KAKKU

Ainekset (6 annosta): 200 g jauhoja - 4 kananmunaa - 11g leivinjauhetta - 0,1 dl maitoa - 0,5 dl oliiviöljyä - 12 kuivatua tomaattia - 200 g fetajuustoa - 15 vihreää kivetöntä oliivia - 1 hyppysellinen currya (ei pakollinen) - suolaa ja pippuria.

Lämmitä uuni 180 asteeseen. Voitele ja jauhota kakkuvuoka. Kiinnitä sekoitusmela ja kansi teräskulhoon ja lisää kulhoon jauhot, kananmunat ja leivinjauhe. Aloita nopeudella 1 ja nosta sitten 3-nopeuteen. Lisää oliiviöljyä ja kylmä maito ja sekoita 1 minuutin 30 sekunnin ajan. Vaihda 1-nopeudelle ja lisää kuivatut tomaatit, feta, vihreät oliivit (paloiteltuina) ja curry. Mausta suolalla ja pippurilla. Kaada sekoitus vuokaan ja paista 30–40 minuuttia uunista riippuen. Varmista kypsyys esimerkiksi tulitikulla.

Vihjeitä: käytä fetan tilalla mozzarellaa ja lisää silputtuja basilikanlehtiä.

SUKLAAHERKKU

Ainekset (8 annosta): 200 g tummaa taloussuklaata - 150 g sokeria - 125 g jauhoja - 125 g pehmeää voita - 4 kananmunaa - 2 dl kermaa - 100 g mantelijauhetta (ei pakollinen) - 1 rkl vaniljasokeria - 11g leivinjauhetta - 1 hyppysellinen suolaa.

Lämmitä uuni 180 asteeseen. Sulata paloitettu suklaa ja 3 rkl vettä joko vesihauteessa tai mikroaaltouunissa. Lisää vähitellen voita samalla sekoittaen, kunnes suklaa tuntuu notkealta. Anna jäähtyä. Erotta kananmunanvalkuaiset ja -keltuaiset toisistaan. Siirrä syrjään kananmunanvalkuaiset. Kiinnitä sekoitusmela ja kansi teräskulhoon, lisää kananmunankeltuaiset, sulatettu suklaa, kerma, loput voista, sokeri, vaniljasokeri ja mantelijauhe. Sekoita 1-nopeudella 20 sekuntia. Vaihda nopeuteen 2 ja lisää keskenään sekoitetut jauhot ja leivinjauhe kannen aukon kautta. Sekoita vielä noin 2 minuutin ajan, kunnes taikina tuntuu notkealta. Kaada taikina suureen kulhoon. Kiinnitä pestyyn teräskulhoon tiheä lankavispilä, lisää kulhoon munanvalkuaiset ja hyppysellinen suolaa, sekoita munanvalkuaiset kiinteäksi 5-nopeudella 1 minuutin 45 sekunnin ajan ja käytä sitten suurinta nopeutta 30 sekunnin ajan. Sekoita lastalla valkuaisvahto ja suklaaseos keskenään. Kaada voideltuun ja jauhotettuun uunivuokaan. Paista 180 asteessa 25 minuuttia.

Vihje: tarjoile kakku yhdessä vaniljakastikkeen tai vaniljajäätelön kanssa.

Katso lisää resepti-ideoita osoitteesta www.tefal.com

FI

TÜRKÇE KULLANMA ve TANITMA KILAVUZU

QB404H38 - QB404D38 - QB413H38

Sadece evde kullanılmak üzere gıda hazırlamak için tasarlanmış olan bu cihazı seçtiğiniz için teşekkür ederiz.

AÇIKLAMA

<p>a - Motor ünitesi</p> <p>a1 Elektronik hız seçici a2 Çıkarma düğmesi a3 Çok fonksiyonlu başlık a4 Yüksek hız çıkış alanı (mikser haznesi / katı meyve sıkacağı / öğütücü) a5 Güvenlik kapağı a6 Mikser aksesuarları çıkışı (yoğurucu, balon çırpıcı, karıştırıcı uçlar) a7 Güç kordonu saklama bölümü</p> <p>b - Hazne grubu</p> <p>b1 Paslanmaz çelik hazne b2 Kapak</p> <p>c - Mikser aksesuarları</p> <p>c1 Yoğurucu c2 Mikser c3 Balon çırpıcı</p> <p>d - Blender haznesi (modele göre değişir)</p> <p>d1 Hazne d2 Kapak d3 Ölçme kabı</p> <p>e - Aksesuar tutucu (modele göre)</p> <p>f - Kıyma başlığı (modele göre değişir)</p>	<p>f1 Metal gövde f2 Besleme vidası f3 Bıçak f4 Büyük delikli kıyma disk f5 Küçük delikli kıyma disk f6 Somun f7 İtici f8 Tepsi</p> <p>g - Sebze dilimleyici (modele göre değişir)</p> <p>g1 Silindir gövde g2 İtici g3 Dilimleme silindiri A g4 Kalın rendeleme silindiri C g5 İnce rendeleme silindiri D g6 Reibekuchen (patates rendeleme) silindiri E</p> <p>h - Katı meyve sıkacağı (modele göre değişir)</p> <p>h1 İtici h2 Kapak h3 Döner filtre h4 Meyve suyu haznesi h5 Hazne ağzı h6 Kilit kolu</p>
---	--

TR

GÜVENLİK ÖNERİLERİ

- Bu cihazı ilk defa kullanmadan önce kullanma kılavuzunu dikkatle okuyun ve saklayın: Cihazın talimatlara uyulmadan kullanılması durumunda üretici sorumluluk kabul etmez.
- Cihaz bedensel, duyuşal veya zihinsel engeli olan kişiler (ve çocuklar) tarafından ya da daha önce cihaz hakkında bilgisi veya deneyimi olmayan kişiler tarafından kullanılmak üzere de tasarlanmamıştır. Kişinin güvenliğinden sorumlu birinin gözetimi altında veya cihazın kullanımına ilişkin talimatlar sağlandıktan sonra kullanılabilir. Cihazla oynamadıklarından emin olmak için, çocukların gözetim altında tutulması tavsiye edilir.
- Cihazın çalışma voltajının elektrik tesisatınıza uygun olduğundan emin olun. **Hatalı elektrik bağlantısından kaynaklanan tüm arızalar garanti kapsamı dışındadır.**
- Cihazınız yalnızca evde, mutfakta, iç mekanlarda ve en fazla 2.000 m rakımda gözetim altında kullanılmak üzere tasarlanmıştır.

- İlk kullanımdan önce, yiyeceklerle temasta olan tüm yüzeyleri bu tanıtma yazısındaki "İlk Kullanım" bölümünde tarif edildiği gibi temizleyin ve aletin her kullanımdan sonraki bakımı ve temizliği için "Temizleme" bölümüne bakın.
- Cihazınızın elektrik fişini, gözetim altında bulunmadığı zamanlar, parça takma ve sökme işlemleri öncesinde ve temizlik sırasında daima prizden çıkarın.
- Düzgün çalışmıyorsa veya hasar görmüşse cihazı kullanmayın. Yetkili servis ile iletişim kurun (servis kitapçığındaki listeye bakın).
- Müşteriler tarafından gerçekleştirilen rutin temizleme ve bakım dışındaki tüm işlemler yetkili bir servis tarafından yapılmalıdır (servis kitapçığındaki listeye bakın).
- Cihazı, kabloyu veya fişi suyla veya herhangi başka bir sıvıyla temas ettirmeyin.
- Elektrik kablosunu çocukların erişiminden, cihazın ısınan parçalarından, herhangi bir ısı kaynağından ve sivri köşelerden uzak tutulması gerekir.
- Elektrik kablosu veya fişi hasarlıysa cihazı kullanmayın. Güvenliği sağlamak için bu parçaların yetkiliservis tarafından değiştirilmesi gerekir (servis kitapçığındaki listeye bakın).
- Aksesuarları mikrodalga fırında kullanmayın..
- Güvenliğiniz için yalnızca cihazınıza uygun ve yetkili servis merkezinde satılan yedek parça ve aksesuarları kullanın.
- Dikkat ! Cihazın yanlış kullanılması yaralanmalara sebep olabilir.
- Bıçaklar ve rendeler (d,f,g) çok keskindir: Haznenin boşaltılması, bıçakların ve rendelerin aksesuarlara takılması / sökülmesi ve temizlik sırasında yaralanmamak için dikkatli olun.
- Çok fonksiyonlu başlığı (a3) çıkarma düğmesine (a2) basmadan önce blenderi (d) veya katı meyve sıkacağı (h) her zaman çıkarın.
- Kıyma başlığı aksesuarıyla (f) besleme borusundaki yiyeceği yönlendirmek için daima iticiyi (f7) kullanın, asla parmaklarınızı, çatal, kaşık, bıçak veya başka bir nesne kullanmayın.
- Cihazın hareket eden parçalarına asla dokunmayın aksesuarları çıkarmadan önce cihazın tamamen durmasını bekleyin.
- Cihaz çalışırken çırpıcı veya yoğurucu uçlara dokunmayın.
- Çalışırken saç, eşarp, kravat veya herhangi başka bir şeyin blender ile temas etmesinden kaçınin.
- Silindir gövdede (g1) bulunan (b2), (d2) veya (h2) kapaklarındaki besleme borusundan içeri hiçbir nesne (kaşık, spatula, vs.) sokmayın.
- Blender haznesini (d1) kapaksız (d2) çalıştırmayın.
- Her seferde sadece bir aksesuar kullanın.
- Blender haznesini asla kaynar sıvıyla doldurmayın.
- Blender haznesini asla boşken çalıştırmayın.
- Blender haznesini her zaman kapağıyla kullanın.
- Bıçaklar tamamen durmadan asla kapağı açmayın.

TR

- Katı malzemeleri eklemeyen önce her zaman ilk olarak sıvı malzemeleri blender haznesine koyun.
- Hazneleri (b1, d1) dondurma, pişirme veya sterilizasyon işlemlerinde kap olarak kullanmayın.
- Eğer döner filtre (h3) veya koruma kapağı (h2) hasarlıysa veya üzerlerinde görülebilir çatlaklar varsa katı meyve sıkacağı kullanmayın.
- Aksesuarları değiştirmeden veya kullanım sırasında hareket eden parçaları tutmadan önce cihazı kapatın ve prizden çekin.
- Mutfak aletinin veya mikserin içine sıcak su dökülürse dikkat edin. Kaynama sebebiyle ani taşmalar meydana gelebilir.
- Bu cihazın garantisi, ev içinde ve benzeri yerlerde kullanılsa dahi, aşağıdaki ortamlarda geçersiz olur:
 - Mağazaların, büroların ve başka işyerlerinin mutfaklarında;
 - Çiftliklerde;
 - Otel, motel ve ikamet edilen başka yerlerde;
 - Otel odası tarzındaki yerlerde.
- **Cihazın aksesuarlarını takmak ve sökmek için yukarıdaki resimlere ve "Aksesuarların monte edilmesi" ile "Aksesuarları sökme" paragraflarına bakın.**
- **Aksesuarların hız ayarları ve işleme süreleri için kullanma kılavuzuna bakın.**
- Bu cihaz çocuklar tarafından kullanılmamalıdır. Cihazı ve kablosunu kullanmadığınız zaman çocukların ulaşamayacağı bir yere kaldırın.
- Bu cihaz çocuk oyuncuğı değildir.
- Bu cihaz fiziksel, duyuşsal veya zihinsel engelleri olan veya cihaz ile deneyimi olmayan veya cihazı tanımayan kişiler tarafından sadece gözetim altında veya cihazın güvenli kullanımına dair bilgilendirilmişler ve olası tehlikeleri anlamışlar ise kullanılabilir.
- Balon çırpıcı (c3) ile kalın ve ince rendeleme silindirleri (g5 ve g4), sadece gözetim altında veya cihazın güvenli kullanımına dair bilgilendirilmişler ve olası tehlikeleri anlamışlar ise 8 yaşın üzerindeki çocuklar tarafından kullanılabilir. Cihazın bakımı ve temizliğı, en az 8 yaşındaki çocuklar tarafından sadece bir yetişkinin gözetimi altında gerçekleştirilebilir. Cihazı ve kablosunu 8 yaşın altındaki çocukların ulaşamayacağı bir yere kaldırın.

TR

İLK KULLANIMDAN ÖNCE

- İlk kez kullanmadan önce tüm aksesuar parçalarını ılık ve sabunlu suyla yıkayın ((e) takma ünitesi dışında: bkz. Temizleme) durulayın ve kurutun.
- Cihazınızı düz, temiz ve kuru bir yüzeye yerleştirin. Seçme düğmesinin (a1) "0" konumunda olduğundan emin olun ve cihazınızı fişe takın.
- Cihazınızı çalıştırmak için birçok seçeneğe sahipsiniz:
 - **Aralıklı çalıştırma (anlık çalıştırma):** Seçme düğmesini (a1) "pulse" konumuna getirin. Bazı yiyecekleri hazırlarken art arda anlık çalıştırma daha iyi bir kontrol sağlayabilir.
 - **Sürekli çalıştırma:** Hazırladığınız yiyeceğe göre seçme düğmesini (a1) "1" konumundan "max"

konumu arasında istenilen bir pozisyona getirin.
Hazırlama sırasında istediğiniz gibi değiştirebilirsiniz.

- Cihazı durdurmak için düğmeyi (a1) "0" konumuna getirin.

Önemli: Kapağın (a5) ve başlığın (a3) kilitlemesi koşuluyla cihaz çalışmaya başlar. Çalışırken kapağın (a5) ve/veya başlığın (a3) kilidini açarsanız cihaz hemen duracaktır. Başlığı ve/veya kapağı kilitleyin, kontrol düğmesini (a1) "0" konumuna getirin ve istediğiniz hızı seçerek cihazı normal olarak çalıştırın.

Mutfak cihazınız çalıştırma gücünü denetleyen ve analiz eden bir mikro işlemciye sahiptir. **Yük çok artarsa, cihazınız otomatik olarak durur.** Cihazınızı tekrar başlatmak için hız seçme düğmesini (a1) "0" konumuna getirin ve malzemelerin bir kısmını çıkarın. Birkaç dakika cihazınızın soğumasını bekleyin. Sonra yiyecek hazırlamaya devam etmek için istenilen hızı seçebilirsiniz.

Paragraf numaraları şemalardaki numaralara karşılık gelir.

1 - KARIŞTIRMA / YOĞURMA / ÇIRPMA / AKICI HALE GETİRME

Yiyeceğin türüne uygun paslanmaz çelik hazneyi (b1) ve kapağını (b2) kullanarak 1,8 kg hamur hazırlayabilirsiniz.

KULLANILAN AKSESUARLAR:

TR

- Paslanmaz çelik hazne (b1).
- Kapak (b2)
- Yoğurucu (c1), mikser (c2) veya balon çırpıcı (c3)

1.1 - AKSESUARLARIN MONTE EDİLMESİ

- Çok fonksiyonlu başlığı (a3) çıkarmak için düğmeye (a2) basın ve yerine kilitlene kadar kaldırın.
- Paslanmaz çelik hazneyi (b1) çevirerek (saat yönünde) cihazın üzerine kilitleyin ve malzemeleri içine koyun.
- İstenilen aksesuarı (c1, c2 or c3) çıkışa (a6) takın, itin ve saat yönünün tersine çeyrek tur çevirerek aksesuarı yerine kilitleyin.
- Çok fonksiyonlu başlığı (a3) yatay konumda yerleştirin: düğmeye (a2) basın ve manuel olarak çok fonksiyonlu başlık (a3) yerine kilitlenceye kadar bastırın (düğme (a2) önceki durumuna döner).
- Kapağı (b2) paslanmaz çelik haznenin (b1) üzerinden kaydırın.

Not: Kapağı kullanmak zorunlu değildir. Sıçramayı önler.

- Yüksek hız çıkışındaki (a4) kapağın (a5) doğru bir şekilde kilitletiğinden emin olun (saat yönünde).

1.2 - KULLANIM

Tarife göre hız seçme düğmesini (a1) istenilen konuma getirerek başlayın.

- Cihaz hemen çalışmaya başlar.
Hazırlama işlemi boyunca kapaktaki (b2) delikten yiyecek ekleyebilirsiniz.
- Cihazı durdurmak için düğmeyi (a1) "0" konumuna getirin.

İpuçları:

- Yoğurma

- Yoğurma aksesuarını (c1) **"1" hızında kullanın.**
500 gr unu yoğurabilirsiniz (örn. beyaz ekme, tahıllı ekme, tart hamuru, turta hamuru, vs.).

- Karıştırma

- Mikser aparatını (c2) **"1" ile "max" konumu arasında kullanın.**
En fazla 1,8 kg ağırlığında yumuşak hamur (kek, kurabiye, vs.) karıştırabilirsiniz.
- **Sert hamur yoğurmak için asla mikser aparatını (c2) kullanmayın.**

- Çırpma / akıcı hale getirme

- Balon çırpıcıyı (c3) **"1" ile "max" konumu arasında kullanın.**
- Şunları hazırlayabilirsiniz: mayonez, soslar, çırpılmış yumurta beyazı (en fazla 8 yumurta beyazı), kremşanti, (en fazla 500 ml), vs.

- Balon ırpıcıyı (c3) asla sert hamur yoęurmak veya yumuřak hamur karıřtırmak iin kullanmayın.

1.3 - AKSESUARLARI SÖKME

- Cihazın tamamen durmasını bekleyin.
- Kapaęı ıkarın (b2).
- Dügmeyi (a2) kullanarak ok fonksiyonlu bařlıęı (a3) ıkarın ve yukarıya kaldırın.
- (c1), (c2) veya (c3) aksesuarlarını bařlıęın iine itip saat yönünde eyrek tur döndürerek ok fonksiyonlu bařlıktan ıkarın.
- Paslanmaz elik hazneyi ıkarın.

2 - BLENDER/KARIŐTIRMA (MODELE GÖRE DEęİŐİR)

Yiyeceęin yapısına göre 1,5 L yoęun ve 1,25 L akıcı karıřım hazırlamak iin blender (d) aparatını kullanabilirsiniz.

KULLANILAN AKSESUARLAR:

- Blender haznesi (d).

2.1 - AKSESUARLARIN MONTE EDİLMESİ

- ok fonksiyonlu bařlıęı (a3) yatay konumda yerleřtirin: düęmeye (a2) basın ve manuel olarak ok fonksiyonlu bařlık (a3) yerine kilitleninceye kadar bastırın (düęme (a2) önceki durumuna döner).
- Yüksek hız ıkıřındaki (a4) güvenlik kapaęının (a5) kilidini saat yönünün tersine evirerek aın ve ıkarın.
- Blender (d) aparatını yerine kilitlemeden önce cihazın kapalı olduęundan emin olun.
- Blender haznesini (d) saat yönünde döndürerek hız ıkıř alanı (a4) üzerine kilitleyin.
- Yiyeceęi blender haznesine koyun ve ölekli kapaęın (d3) takıldıęı kapaęı (d2) yerleřtirip saat yönünün tersine döndürerek kilitleyin.

TR

2.2 - KULLANIM

- Tarife göre hız seme düęmesini (a1) istenilen konuma getirerek bařlayın.
Karıřımı daha iyi kontrol edebilmek ve daha iyi karıřtırmak iin "Pulse" kademesini kullanın.
Hazırlık sırasında ölekli kapaktaki (d3) delikten malzeme ekleyebilirsiniz.
- Cihazı durdurmak iin düęmeyi (a1) "0" konumuna getirin.

İpuları:

Őunları hazırlayabilirsiniz:

- blender'dan geirilmiş orbalar, soslar, kompostolar, milkshake ve kokteyller.
- sıvı hamur (pancake, kızartma hamuru, clafoutis ve krem karameller).
- Karıřtırma sırasında malzemeler haznenin kenarlarına yapıřırsa cihazı durdurun. Blender haznesini ıkarın, yiyeceęi bıaklara doęru itin, blender haznesini yerine takın ve hazırlık iřlemine devam edin.

2.3 - AKSESUARI SÖKME

- Blender haznesinin kilidini saat yönünün tersine döndürerek amadan önce cihazın tamamen durmasını bekleyin ve kapaęı (a5) hız ıkıř alanına (a4) kilitleyerek yerine takın (saat yönünde).

3 - KIYMA (MODELE GÖRE DEęİŐİR)

KULLANILAN AKSESUARLAR:

- Aksesuar tutucu (e)
- Monte edilmiř kıyma bařlıęı (f)

3.1 - ADAPTÖRÜ TAKMA

- ok fonksiyonlu bařlıęı (a3) ıkarmak iin düęmeye (a2) basın ve yerine kilitlenene kadar kaldırın.

- Takma ünitesini (e) yerleştirin ve cihaz ile çıkış aynı hizaya gelecek şekilde saat yönünün tersine kilitleyin.
- Çok fonksiyonlu başlığı (a3) düğmeye (a2) bir kez daha basarak yatay konumda yerleştirin.

3.2 - ET KIYMA BAŞLIĞININ MONTE EDİLMESİ

- Gövdeyi (f1) besleme tüpünden, geniş ağız kısmı yukarı gelecek şekilde tutun.
- Besleme vidasını (f2) (uzun kısmı önce gelecek şekilde) gövdeye (f1) takın.
- Bıçağı (f3) besleme vidasının uzantısı olan kısa kola (f2) kesici kenarları dışarı gelecek şekilde takın.
- Seçilen diski (f4 veya f5) bıçağın üstüne (f3), iki kulbunu gövdedeki (f1) uygun girintilere hizalayarak takın.
- Somunu (f6) gövdedeki (f1) yerine saat yönünde kitlemeden yerleştirin.
- Grubu kontrol edin. Mil kendi başına dönmemelidir ve hareket etmemelidir. Aksi halde monte etme işlemini tekrarlayın.

3.3 - KIYMA BAŞLIĞININ CİHAZ ÜZERİNE YERLEŞTİRİLMESİ

- Takma ünitesi çıkışına (e) dönük, monte edilmiş kıyma başlığını(f) başlıktaki iki kesiciyle aparat üzerindeki girintileri aynı hizaya getirerek sağa doğru eğimli olacak şekilde yerleştirin. Kıyma başlığını aparattaki yerine doğru itin ve besleme borusuyla yatay konumda birbirlerini kavrayıncaya kadar başlığı saat yönünün tersine döndürün.
- Çıkarılabilir tepsiyi (f8) besleme borusuna yerleştirin.

TR

3.4 - KULLANIM, İPUÇLARI VE SÖKME

- Yüksek hız çıkışındaki (a4) güvenlik kapağının (a5) doğru bir şekilde kilitlendiğinden emin olun (saat yönünde).
- Karışım için kullanacağınız kabı cihazın önüne yerleştirin.
- Seçicinin (a1) hızını "3" veya "4" kademesine getirerek cihazı çalıştırın.
- İticiyi (f7) kullanarak parçalara ayırdığınız eti besleme borusundan itin. **Malzemeleri besleme borusundan iterken asla parmaklarınızı veya herhangi başka bir nesne kullanmayın.**
- Cihazı durdurmak için hız seçim düğmesini "0" konumuna getirin ve tamamen durmasını bekleyin.
- Kıyma başlığını birleştirirken takip ettiğiniz adımları, tersinden izleyerek kilidi açın.

İpuçları:

- Kırılacak tüm yiyecekleri hazırlayın (etin kemiklerini, kırıkdaıklarını ve sinirlerini ayırın ve yaklaşık 2 x 2 cm boyunda kesin).
- Etin tamamen çözüldüğünden emin olun.
- Uygulama sonunda makinenin içinde kalan kıyma parçalarını çıkarmak amacıyla birkaç dilim ekmeği makinede çekebilirsiniz.

4 - RENDELEME/DİLİMLEME (MODELE GÖRE DEĞİŞİR)

KULLANILAN AKSESUARLAR:

- Aksesuar tutucu (e)
- Monte edilmiş sebze dilimleyici (g)
- Silindirler (modele göre değişir)

4.1 - AKSESUARLARIN MONTE EDİLMESİ

- Çok fonksiyonlu başlığı (a3) çıkarmak için düğmeye (a2) basın ve yerine kilitlenene kadar kaldırın.
- Takma ünitesini (e) yerleştirin ve cihaz ile çıkış aynı hizaya gelecek şekilde saat yönünün tersine kilitleyin.
- Çok fonksiyonlu başlığı (a3) düğmeye (a2) bir kez daha basarak yatay konumda yerleştirin.
- Yüksek hız çıkışındaki (a4) güvenlik kapağının (a5) doğru bir şekilde kilitlendiğinden emin olun (saat yönünde).
- Takma ünitesi (e) çıkışına dönük, silindir gövdeyi (g1), üzerindeki iki kesiciyle aparatdaki girintiler aynı hizaya gelecek şekilde yerleştirin. Silindir gövdeyi cihazdaki yerine itin ve besleme borusuyla

- yatay konumda birbirlerini kavrayıncaya kadar gövdeyi saat yönünün tersine döndürün.
- Seçilen silindiri gövdeye takın ve tamamen kavrandığından emin olun.

4.2 - KULLANIM VE İPUÇLARI

- Karışım için kullanacağınız kabı cihazın önüne yerleştirin.
- Hız seçim düğmesini (a1) dilimlemek için "3" ve rendelemek için "4" konumuna getirerek cihazı çalıştırın.
- Gövdedeki besleme borusuna yiyeceği koyun ve iticiyle (g2) aşağı itin. **Malzemeleri kesinlikle parmaklarınızı veya başka bir aleti kullanarak itmeyin.**
- Cihazı durdurmak için hız seçim düğmesini "0" konumuna getirin ve tamamen **durmasını bekleyin.**
- Silindir gövdeyi birleştirirken takip ettiğiniz adımları, tersinden izleyerek kilidi açın.
- Silindirleri şu işlemler için kullanabilirsiniz:
 - Kalın rendeleme C (g4) / ince rendeleme D (g5): havuç, kereviz, patates, peynir, vs.
 - Kalın dilimleme A (g3): patates, havuç, salatalık, elma, pancar, vs.
 - Reibekuchen E (patates rendeleme) (g6): patates, parmesan, vs.

5 - MEYVE VE SEBZE SUYU SIKMA (MODELE GÖRE DEĞİŞİR)

KULLANILAN AKSESUARLAR:

- Monte edilmiş katı meyve sıkacağı (h).

5.1 - KATI MEYVE SIKACAĞINI MONTE ETME

- Filtreyi (h3) meyve suyu haznesinin (h4) ortasına yerleştirin.
- Kapağı kilitleyin: saat yönünün tersine döndürün ve kapağı (h2) meyve suyu haznesinin (h4) üzerine kilitleyin (kapalı kilit konumu).
- Genel kilitleme: kilit kolunu (h6) kilit konumu kapalıya gelecek şekilde itin.

5.2 - KATI MEYVE SIKACAĞININ CİHAZA MONTE EDİLMESİ

- Çok fonksiyonlu başlığı (a3) yatay konumda yerleştirin: düğmeye (a2) basın ve manuel olarak çok fonksiyonlu başlık (a3) yerine kilitleninceye kadar bastırın (düğme (a2) önceki durumuna döner).
- Kilidi açın ve saatin tersi yönünde döndürerek kapağı (a5) çıkış alanından (a4) çıkarın.
- Katı meyve sıkacağı (h) yerine kilitlemeden önce cihazın kapalı olduğundan emin olun.
- Monte edilen katı meyve sıkacağı (h) saat yönünde döndürerek çıkış (a4) üzerine kilitleyin, böylece hazne ağzı ve cihaz aynı hizaya gelir.
- Hazne ağzını (h5) hazneye (h4) takın.

5.3 - Kullanım ve ipuçları

- Hazne ağzının (h5) altına büyük bir bardak yerleştirin.
- Seçicinin (a1) hızını "3" konumuna getirerek cihazı çalıştırın.
- Meyveleri ve/veya sebzeleri parçalara ayırın.
- Parçaları kapaktaki (h2) besleme borusundan içeri atın ve iticiyi (h1) kullanarak yavaşça itin. **Malzemeleri kesinlikle parmaklarınızı veya başka bir aleti kullanarak itmeyin.**
- 500 gr. yiyeceği 5 defadan fazla cihazınızın tamamen soğumasına izin vermeden, durmaksızın işlemeyin.
- En iyi sonuçları almak için filtreyi her 300 gr. yiyecek hazırladıktan sonra temizleyin.
- Önemli:** Posa haznesi dolduğunda cihazı durdurun ve hazneyi boşaltın.
- Cihazı durdurmak için hız seçiciyi "0" konumuna getirin ve tamamen durmasını bekleyin.
- Grubu cihazdan çıkarmadan önce döner filtrenin tamamen durmasını bekleyin.**
- Katı meyve sıkacağı (h) çıkarmadan önce saat yönünün tersine döndürerek kilidi açın.
- Kilit kolunu (h6) açık kilit konumunda yerleştirin. Kapağı açın (açık kilit konumu) Şimdi filtreyi (h3) temizlemek için çıkarabilirsiniz ve hazneyi (h4) boşaltabilirsiniz.

İpuçları:

- Şunların suyunu sıkabilirsiniz: havuç, domates, elma, üzüm, frambuaz, vs.

- Kalın kabuklu meyvelerin kabuğunu soyun ve çekirdeklerini çıkarın.
- Belirli meyvelerin ve sebzelerin suyunu sıkmak mümkün değildir: muz, avokado, böğürtlen, vs.
- Her defasında katı meyve sıkacağına temizlemeden farklı meyvelerin ve sebzelerin sularını hazırlayabilirsiniz, lezzetler birbirine karışmaz. Sadece katı meyve sıkacağına farklı iki malzeme arasında besleme borusundan biraz su akıtarak çalıştırın.
- Suyu sıkar sıkamaz için veya birkaç saat buzdolabında bekletecekseniz içine biraz limon suyu ekleyin.

6 - KABLO BOYUNU AYARLAMA

Kolay kullanım veya saklama için motor ünitesindeki (a) açık bölmenin (a7) içine iterek kabloyu kısaltabilirsiniz.

7 - KÜÇÜK MİKTARLARDA KESME (MODELE GÖRE DEĞİŞİR)

KULLANILAN AKSESUAR:

- Monte edilmiş öğütücü.

Öğütücüyü şu işlemler için kullanabilirsiniz:

- Anlık çalıştırarak birkaç saniyede şunları kıyabilirsiniz: kuru incir ve kuru kayısı, vs.
Miktar / maks. süre: 100 gr. / 5 s
Bu öğütücü, kahve gibi sert ürünler için tasarlanmamıştır.

TR

TEMİZLEME

- Cihazı fişten çekin.
- Motor ünitesini (a) veya takma ünitesini (e) suyun içinde yıkamayın veya akan suya tutmayın. Bunları kuru veya nemli bir bezle silin.
- Daha kolay temizlemek için kullandıktan sonra aksesuarları yıkayın. Kıyma başlığı grubunu tamamen sökün. **Yaralanmayı engellemek için bıçakları tutarken dikkatli olun.**
- Aksesuarları yıkayın, durulayın ve kurulaştırın: kıyma başlığındaki tüm metal aksamlar dışındaki aksesuarlar bulaşık makinesinde yıkanabilir: gövde (f1), besleme vidası (f2), bıçak (f3), diskler (f4 ve f5), somun (f6).
- (f4) ve (f5) disklerinin yanı sıra bıçak (f3) yağlı kalmalıdır. Bu parçaları yemeklerde kullandığınız sıvı yağ ile yağlayın.

İpuçları:

- Aksesuarlar yiyeceklerle boyanırsa (havuç, portakal vb.) sıvı yağ damlattığınız bir bezle ovun ve her zamanki gibi temizleyin.
- Blender haznesi (d): birkaç damla bulaşık deterjanı damlattığınız sıcak suyu blender haznesinin içine dökün. Kapağı kapatın. Cihaz üzerine yerleştirin ve birkaç defa anlık çalıştırın. Yerinden çıkardıktan sonra, hazneyi akan suyla durulayın ve kurumaya bırakın (hazneyi başı aşağı kurutun).

SAKLAMA

Cihazınızı nemli bir ortamda saklamayın.

CİHAZINIZ ÇALIŞMIYORSA NE YAPMANIZ GEREKİR?

Cihazınız çalışmıyorsa:

- fişe doğru takılıp takılmadığından
- aksesuarların doğru kilitletiğinden
- güvenlik kapağının (a5) takılı olduğundan ve yüksek hız çıkışı (a4) kullanılmadığında kilitli olduğundan

- çok fonksiyonlu başlığın (a3) yatay konumda kilitli olduğundan emin olun.

Mutfak cihazınız çalıştırma gücünü denetleyen ve analiz eden bir mikro işlemciye sahiptir. Yük çok artarsa, cihazınız otomatik olarak durur. Cihazınızı tekrar başlatmak için döner düğmeyi (a1) "0" konumuna getirin ve malzemelerin bir kısmını çıkarın. Birkaç dakika cihazınızın soğumasını bekleyin. Sonra yiyecek hazırlamaya devam etmek için istenilen hızı seçebilirsiniz.

Cihazınız hâlâ çalışmıyor mu? Yetkili servisle iletişim kurun (servis kitapçığındaki listeye bakın).

CİHAZIN VE AMBALAJIN ATILMASI



Ambalaj, çevre için tehlike barındırmayan malzemelerden üretilmiştir ve yaşadığınız yerde geçerli olan geri dönüşüm tedbirleri doğrultusunda atılabilir. Cihazın atılması ile ilgili olarak, bulunduğunuz bölgedeki yetkili servisten bilgi alınız.

KULLANIM ÖMRÜ SONA EREN ELEKTRİKLİ VE ELEKTRONİK ÜRÜNLER



Çevreyi koruyun!

i Cihazınız çok sayıda yeniden üretilebilen veya geri dönüştürülebilen parça içerir.

➔ Lütfen atık geri dönüşüm merkezlerine götürün.

TR

AKSESUARLAR

Cihazınızı ihtiyacınıza göre özelleştirebilir ve satıcınızdan veya yetkili servisten şu aksesuarları tedarik edebilirsiniz:

Paslanmaz çelik hazne
Paslanmaz çelik hazne kapağı
Yoğurucu
Mikser
Balon çırpıcı
Blender haznesi
Katı meyve sıkacağı
Öğütücü

Aksesuar tutucu
Kıyma başlığı
Sebze dilimleyici:
- **A:** Dilim
- **C:** Kalın rende
- **D:** ince rende
- **E:** Patates dilimleme
Makarna seti
Sos/püre aksesuar
Makarna aksesuar

Dikkat: Bir aksesuar satın alırken talimat kitapçığınızı veya cihazınızı göstermeniz gerekir.

YEMEK TARİFLERİ

KREM ŞANTI

İçindekiler (6/8 kişi için): 250 ml çok soğuk sıvı krema - 50 gr pudra şekeri

Çırpmalı teli ve kapak takılı metal kabin içine, krema ve pudra şekeri koyun. Dördüncü hızda 2 dakika, ardından maksimum hızda 3 dakika 30 saniye çalıştırın.

MAYONEZ

İçindekiler:1 yumurta sarısı-1 yemek kaşığı hardal-1 çay kaşığı sirke-250 ml zeytinyağı veya ayçiçek yağı-tuz ve kara biber.

Yumurta sarısı,hardal,sirke ve karabiberi çok bıçaklı çırpıcı ve kapaktan oluşan yapışmaz çelik haznenin içine koyun.1. hızı seçin.Çırpıcıyı çalıştırın ,yavaşıca yağı dökün.10 saniyeden sonra, maksimum hıza çıkartın.Yağ tamamen karışımın içine karıştığında,çırpıcıyı 30 saniye kadar çalıştırın.

Not:Eğer tarifiniz için uygunsa, bir diş rendelenmiş sarımsak ekleyin.En iyi sonucu almak için, malzemeler oda sıcaklığında olmalıdır..

BEYAZ EKMEK

İçindekiler (800 gramlık yuvarlak bir ekmek için): 500 gr un - 300 ml ılık su - 10 gr ekmek mayası - 10 gr tuz. Unu, tuzu ve ekmek mayasını metal bir kabin içine dökün. Yoğurma aparatını ve kapağı yerleştirin ve birinci hızda birkaç saniye çalıştırın. Kapağın deliğinden ılık su ilave edin. 8 dakika yoğurun. Hamuru oda sıcaklığında yaklaşık yarım saat dinlenmeye bırakın. Ardından, hamuru tekrar elle yoğurun ve hamurdan bir top oluşturun; bu topu fırınınızın tereyağı ile yağlanmış ve unlanmış tepsinin üzerine koyacaksınız. Yaklaşık 1 saat boyunca ılık bir yerde ikinci kez kabarmaya bırakın. Fırını 240°C sıcaklığa kadar önceden ısıtın. Bir bıçak ile ekmek hamurunun üstünde yarıklar açın ve bir fırça yardımıyla üstüne ılık su sürün. Fırının içine su dolu küçük bir kap da koyun. Bu, sarı bir kabuğun oluşmasını kolaylaştıracaktır. 240°C sıcaklıkta 40 dakika fırınlayın.

TR

Öneri: Ekmek mayası asla şeker veya tuz ile doğrudan temas etmemelidir, zira bunlar mayanın etkisine engel olur.

TARTÖLET HAMURU

İçindekiler (350 gramlık bir turta hamuru için): 200 gr un - 100 gr tereyağı - 50 ml su - bir tutam tuz.

Unu, tereyağını ve tuzu metal kabin içine dökün. Yoğurucuyu ve kapağı yerleştirin ve cihazı birinci hızda birkaç saniye çalıştırın, ardından cihaz çalışırken su akıtın. Hamur güzel bir top şekli alana kadar, cihazı çalıştırın. Yayıp pişirmeden önce, üstü streç film ile örtülü olarak en az bir saat serin bir yerde dinlenmeye bırakın.

BRIYOŞ

İçindekiler (6 kişi için): 250 gr un - 5 gr tuz - 25 gr şeker - 100 gr tereyağı - 2 tam yumurta ve 1 yumurta akı - 3 çorba kaşığı ılık süt - 2 çorba kaşığı su - 5 gr ekmek mayası.

Metal bir kabin içine un koyun ve içine iki çukur açın: Birinin içine tuz koyun, diğerinin içine ekmek mayası, şeker, ılık süt ve su doldurun.Tuz ve maya bir araya getirilmemelidir, zira maya tuzla temas ettiğinde kötü tepki verir. Yumurtaları ilave edin, yoğurma aparatını ve kapağı yerleştirin. Birinci hızı seçin ve 15 saniye boyunca yoğurun; ardından 2 dakika 45 saniye boyunca ikinci hıza geçin. Cihazı durdurmadan, fazla yumuşak olmaması gereken tereyağını ilave edin (tereyağını yarım saat ortam sıcaklığında bırakın). 5 dakika boyunca ikinci hızda, ardından 5 dakika boyunca üçüncü hızda yoğurma işlemine devam edin. Hamurun üstünü örtün ve oda sıcaklığında iki saat kabarmaya bırakın; ardından, hamuru kabin içine vurarak elle güçlü bir şekilde yoğurun. Üstünü örtün ve yeniden, buzdolabında iki saat mayalanmaya bırakın; kabin içine vurarak hamuru elle yeniden yoğurun . Ardından, hamurun üstünü bir streç film ile örtün ve bir gece buzdolabında kabarmaya bırakın. Ertesi sabah, bir briyoş kalıbını tereyağı ile yağlayın ve unlayın. Hamura top şekli verin. Kalıbın için koyun ve kalıp dolana dek sıcak bir yerde şişmeye bırakın (2 ila 3 saat). 180°C sıcaklıkta fırınlayın ve 25 dakika pişirin.

Öneri: Çikolata parçacıkları veya meyve şekerlemeleri ilave edilebilir."

BAHARATLI EKMEK

İçindekiler(6 kişilik):200 gr saf un-4 yumurta-11g kabartma tozu-100 ml süt-50 ml zeytinyağı-12 adet güneşte kurutulmuş domates-200 gr beyaz peynir-15 adet çekirdekleri çıkartılmış yeşil zeytin-1 tutam köri(isteğe bağlı)-tuz ve karabiber.

Fırını 180 °C'ye kadar önceden ısıtın.Fırın tepsisini katı yağ ile yağlayalım ve unlayalım.Mikser ve kapak takılmış yapışmaz kaplama metal kabin içinde un,yumurta ve kabartma tozunu karıştırın.1. hızda başlayıp 3. hıza kadar çıkartarak çırpın.Yağ ve sütü ekleyip 1,5 dk kadar karıştırın.Hızı 1. seviyeye düşürün ve kurutulmuş domatesler(doğranmış),küp küp kesilmiş beyaz peynir,yeşil zeytin(doğranmış)ve köriyi ekleyin.Karışımı fırın tepsisinin içine dökün ve 30-40 dk kadar fırında bekletin(süre,fırın çeşidine göre değişebilir).Bir bıçakla delerek,ekmeğin pişip pişmediğini kontrol edebilirsiniz.

Öneri:Beyaz peynir yerine mozzarella peyniri kullanabilirsiniz ve doğranmış fesleğen ekleyebilirsiniz.

ERİMİŞ ÇİKOLATALI KEK

İçindekiler (8 kişi için): 200 gr bitter pastacı çikolata - 150 gr pudra şekeri - 125 gr un - 125 gr yumuşak tereyağı - 4 yumurta - 200 ml şekerli krema - 100 gr badem tozu (isteğe bağlı) - 1 paket vanilyalı şeker - 1 paket maya - 1 tutam tuz.

Fırını 180°C sıcaklığa kadar önceden ısıtın. parçalara bölünmüş çikolatayı ben maride veya mikrodalgı fırında 3 çorba kaşığı su ile eritin. Çikolatayı kayganlaştırmak amacıyla karıştırarak, kademeli olarak biraz tereyağı ekleyin. Soğumaya bırakın. Yumurtaların sarısını akından ayırın. Yumurta aklarını saklayın. Mikser ve kapak takılmış metal kabin içine, yumurta sarısı, erimiş çikolata, krema, tereyağının kalan kısmı ve şeker, vanilyalı şeker ile badem tozu koyun. Karıştırmak için 20 saniye birinci hızda çalıştırın. İkinci hıza geçin ve kapak deliğinden maya ile karıştırılmış unu ilave edin; kaygan bir hamur elde edinceye dek yaklaşık 2 dakika çalıştırın. Büyük bir salata tabağının içinde saklayın. Çırpma teli ile donatılmış temizlenmiş paslanmaz çelik kabin içine, yumurta aklarını bir tutam tuz ile birlikte ilave edin; yumurta aklarını beşinci hızda 1 dakika 45 saniye güçlü bir şekilde çırpın; ardından 30 saniye boyunca maksimum hızda çalıştırın. Bir spatül yardımıyla yumurta aklarını özenle çikolatalı karışıma katın Tereyağı ile yağlanmış ve unlanmış bir pasta kalıbına dökün. 180°C sıcaklıkta 25 dakika fırınlayın.

Öneri: Bu kek İngiliz kreması veya vanilyalı dondurma topları ile servis yapılabilir.

TR

Daha fazla yemek tarifi için lütfen sitemizi ziyaret edin www.tefal.com

GARANTİ BELGESİ

GARANTİ İLE İLGİLİ OLARAK DİKKAT EDİLMESİ GEREKEN HUSUSLAR

Groupe Seb İstanbul tarafından verilen bu garanti, ürünün kullanma kılavuzunda yer alan hususlara aykırı kullanılmasından doğacak arızaların giderilmesini kapsamadığı gibi, aşağıdaki durumlar garanti dışıdır.

1. Kullanma hatalarından meydana gelen hasar ve arızalar,
 2. Hatalı elektrik tesisatı kullanılması nedeniyle meydana gelebilecek arıza ve hasarlar,
 3. Tüketici ürünü teslim aldıktan sonra, dış etkenler nedeniyle (vurma, çarpma, vs.) meydana gelebilecek hasarlar,
 4. Garantili onarım için yetkili servise başvurulmadan önce Groupe Seb yetkili personeli veya yetkili servis personeli dışında birinin, cihazı onarım veya tadiline kalkışması durumunda,
 5. Üründe kullanılan aksesuar parçalar.
- Yukarıda belirtilen arızaların giderilmesi ücret karşılığı yapılır.

GARANTİ ŞARTLARI

Bu ürün ev kullanımı için tasarlanmıştır. Profesyonel kullanım için uygun değildir.

1. Garanti Süresi, ürünün teslim tarihinden itibaren başlar ve 2 yıldır.
2. Ürünün bütün parçaları dahil olmak üzere tamamı firmamızın garantisine kapsamındadır.
3. Ürünün garanti süresi içinde arızalanması durumunda, tamirde geçen süre garanti süresine eklenir.
4. Ürünün tamir süresi en fazla 30 iş günüdür. Bu süre, ürünün servis istasyonuna, servis istasyonunun olmaması durumunda, ürünün satıcısı, bayii, acentası, temsilciliği, ithalatçısı veya imalatçısından birine bildirim tarihinden itibaren başlar.

5. Sanayi ürününün arızasının 15 iş günü içerisinde giderilmemesi halinde, imalatçı veya ithalatçı; ürünün tamiri tamamlanıncaya kadar, benzer özelliklere sahip başka bir sanayi ürününü tüketicinin kullanımına tahsis etmek zorundadır.
 6. Ürünün garanti süresi içerisinde, gerek malzeme ve işçilik, gerekse montaj hatalarından dolayı arızalanması halinde, işçilik masrafı, değiştirilen parça bedeli ya da başka herhangi bir ad altında hiçbir ücret talep etmeksizin, tamiri yapılacaktır.
 7. Ürünün:
 - Teslim tarihinden itibaren garanti süresi içinde kalmak kaydıyla bir yıl içerisinde, aynı arızayı ikiden fazla tekrarlaması veya farklı arızaların dörtten fazla veya belirlenen garanti süresi içerisinde farklı arızaların toplamının altıdan fazla olması unsurlarının yanı sıra, bu arızaların üründen yararlanmamayı sürekli kılması,
 - Tamiri için gereken azami sürenin aşılması,
 - Servis istasyonunun mevcut olmaması halinde sırasıyla satıcısı, bayii, acentası, temsilciliği, ithalatçısı veya imalatçısından birinin düzenleyeceği raporla arızanın tamirinin mümkün bulunmadığının belirlenmesi durumlarıdır.
 8. Ürünün kullanma kılavuzunda yer alan hususlara aykırı kullanılmasından kaynaklanan arızalar garanti kapsamı dışındadır.
 9. Garanti süresi içerisinde, servis istasyonları tarafından yapılmasının zorunlu olduğu, imalatçı veya ithalatçı tarafından şart koşulan periyodik bakımlarda; verilen hizmet karşılığında tüketiciden işçilik ücreti veya benzeri bir ücret talep edilemez.
 10. Garanti belgesi ile ilgili olarak çıkabilecek sorunlar için T.C. Sanayi ve Ticaret Bakanlığı Tüketicinin ve Rekabetin Korunması Genel Müdürlüğü'ne başvurulabilir.
- Bu Garanti Belgesi'nin kullanılmasına 4077 sayılı Kanun ile bu Kanun'a dayanılarak yürürlüğe konulan Garanti Belgesi Uygulama Esaslarına Dair Tebliğ uyarınca, T.C. Sanayi ve Ticaret Bakanlığı Tüketicinin ve Rekabetin Korunması Genel Müdürlüğü tarafından izin verilmiştir.

TR

İMALATÇI VEYA İTHALATÇI FİRMANIN:

Ünvanı : Groupe SEB İstanbul Ev Aletleri Tic. A.Ş.

Adresi : Beybi Giz Plaza Dereboyu Cad. Meydan sok. No:28 Kat:12 34398 Maslak/İstanbul

DANIŞMA HATTI: 444 40 50

GROUPE SEB İSTANBUL
EV ALETLERİ TİCARET A.Ş.
[Signature]

Size en yakın servisimizi 444 40 50 numaralı Tüketici Danışma Hattımızdan öğrenebilirsiniz.

İthalatçı Firma;

GROUPE SEB İSTANBUL A.Ş.

Dereboyu Cad. Meydan Sokak

No:1 BEYBİ GİZ PLAZA Kat:12

Maslak / İSTANBUL

0850 222 40 50

444 40 50

Üretici Firma;

GROUPE SEB INTERNATIONAL

Chemin du Petit Bois Les 4 M-BP 172

69134 ECULLY Cedex – FRANCE

Tel : 00 33 472 18 18 18

Fax: 00 33 472 18 16 15

www.grouperseb.com

TÜKETİCİ HİZMETLERİ DANIŞMA HATTI

0850 222 40 50

444 40 50

KULLANIM ÖMRÜ: 7 YIL

Le agradecemos que haya seleccionado este aparato diseñado exclusivamente para la preparación de alimentos y uso doméstico en el interior del hogar.

DESCRIPCIÓN

<p>a - Bloque motor</p> <p>a1 Regulador electrónico de la velocidad</p> <p>a2 Botón de desbloqueo del cabezal multifunción (a3)</p> <p>a3 Cabezal multifunción</p> <p>a4 Salida rápida (vaso mezclador / licuadora / molinillo)</p> <p>a5 Tapa de seguridad</p> <p>a6 Terminal para los accesorios mezcladores (amasador, varilla de múltiples aspas, batidor)</p> <p>a7 Almacenamiento para el cable</p> <p>b - Conjunto del vaso</p> <p>b1 Vaso de acero inoxidable</p> <p>b2 Tapa</p> <p>c - Accesorios mezcladores</p> <p>c1 Amasador</p> <p>c2 Batidor</p> <p>c3 Varilla de múltiples aspas</p> <p>d - Vaso mezclador (según modelo)</p> <p>d1 Vaso</p> <p>d2 Tapa</p> <p>d3 Tapón dosificador</p> <p>e - Adaptador (según modelo)</p>	<p>f - Cabezal picador (según modelo)</p> <p>f1 Cuerpo metálico</p> <p>f2 Serpentin</p> <p>f3 Cuchilla</p> <p>f4 Disco de picado grueso</p> <p>f5 Disco de picado fino</p> <p>f6 Tuerca</p> <p>f7 Embutidor</p> <p>f8 Bandeja</p> <p>g - Corta-verduras (según modelo)</p> <p>g1 Depósito del tambor</p> <p>g2 Embutidor</p> <p>g3 Tambor A para cortar</p> <p>g4 Tambor C para rallado grueso</p> <p>g5 Tambor D para rallado fino</p> <p>g6 Tambor E para reibekuchen (tortas de patata rallada)</p> <p>h - Licuadora (según modelo)</p> <p>h1 Embutidor</p> <p>h2 Tapa</p> <p>h3 Filtro giratorio</p> <p>h4 Recipiente</p> <p>h5 Vertedor</p> <p>h6 Palanca de bloqueo</p>
--	--

ES

CONSEJOS DE SEGURIDAD

- Lea detenidamente las instrucciones de uso antes de utilizar el aparato por primera vez y consérvelas: un uso no conforme con las instrucciones eximirá al fabricante de cualquier responsabilidad.
- Este aparato no está diseñado para que lo utilicen personas (incluyendo niños) con alguna discapacidad física, sensorial o mental, o con falta de experiencia y conocimientos, a no ser que sean supervisadas, o que la persona responsable de su seguridad les haya proporcionado instrucciones sobre el funcionamiento del aparato. No permita que los niños jueguen con el aparato.
- Compruebe que la tensión de alimentación del aparato coincida con la tensión de su red eléctrica. Cualquier conexión incorrecta anula la garantía.
- Este aparato está destinado únicamente al uso doméstico y culinario, bajo supervisión, siempre en el interior del hogar y a una altitud inferior a 2000m.
- Antes de utilizar el aparato por primera vez, limpie todas las superficies en contacto con los alimentos como se indica en el capítulo «Puesta en marcha» de estas instrucciones, y después de cada uso hágalo siguiendo las indicaciones del apartado «Limpieza». Para realizar la conservación y la limpieza del aparato consulte también el apartado de «Limpieza».
- Desconecte el aparato de la alimentación siempre que no esté bajo supervisión

y antes de montarlo, desmontarlo o limpiarlo.

- No utilice el aparato si no funciona correctamente o si está dañado. En este caso, diríjase a un centro de servicio oficial (consulte la lista en el folleto de servicio).
- Cualquier tarea de mantenimiento, salvo las tareas de limpieza y conservación realizadas por el cliente, debe llevarse a cabo en un centro de servicio oficial (consulte la lista en el folleto de servicio).
- No sumerja el aparato, el cable de alimentación ni el enchufe en líquidos.
- El cable de alimentación debe mantenerse fuera del alcance de los niños y no debe colocarse cerca de ni estar en contacto con piezas calientes del aparato, fuentes de calor o ángulos pronunciados.
- Si el cable de alimentación o el enchufe están dañados, no utilice el aparato. Para que el aparato sea seguro en todo momento, estas piezas deben ser sustituidas en un centro de servicio oficial (consulte la lista en el folleto de servicio).
- No coloque los accesorios en el microondas.
- Para su seguridad, utilice únicamente accesorios y piezas de recambio adecuadas para el aparato, vendidas en un centro de servicio oficial.
- Existe riesgo de heridas en caso de una mala utilización del aparato.
- Deberá tener cuidado cuando manipule las cuchillas afiladas (d, f, g) al vaciar los recipientes, al montar o desmontar las cuchillas en el accesorio o durante la limpieza, ya que pueden provocar cortes graves.
- Retire siempre el vaso mezclador (d) o la licuadora (h) antes de pulsar el botón de desbloqueo (a2) del cabezal multifunción (a3).
- Con el accesorio picador (f), utilice siempre el embudidor (f7) para guiar los alimentos por el tubo, nunca los dedos, ni tenedores, cucharas, cuchillos u otros objetos.
- Nunca toque las piezas en movimiento y espere a que el aparato se detenga completamente antes de retirar los accesorios.
- No toque ni las varillas ni el amasador cuando el aparato esté en funcionamiento.
- Mantenga el pelo, bufandas, corbatas, etc. fuera del alcance del aparato en funcionamiento.
- Nunca introduzca utensilios (cucharas, espátulas, etc.) por el tubo de alimentación de las tapas (b2), (d2) o (h2) ni por el depósito del tambor (g1).
- No utilice el vaso mezclador (d1) sin la tapa (d2).
- No utilice varios accesorios a la vez.
- Nunca llene el vaso mezclador con un líquido en ebullición.
- No utilice el vaso mezclador vacío.
- Utilice siempre el vaso mezclador con la tapa.
- Nunca retire la tapa antes de que el aparato se detenga completamente.
- En el vaso mezclador, introduzca siempre los ingredientes líquidos antes que los ingredientes sólidos.
- No utilice los vasos (b1, d1) como recipientes (para congelar, cocinar, esterilizar, etc.).

ES

- No utilice la licuadora si el filtro giratorio (h3) o la tapa de protección (h2) están dañados o agrietados.
- Apague el aparato y desconéctelo de la red antes de cambiar los accesorios o de tocar las piezas móviles durante su funcionamiento.
- Tenga cuidado al verter líquidos calientes en el preparador culinario o en el mezclador, ya que pueden salpicar si se produce una ebullición repentina.
- Este aparato no está diseñado para ser utilizado en las siguientes aplicaciones domésticas y análogas (utilización no cubierta por la garantía):
 - Zonas de trabajo de cocina en tiendas, oficinas y otros entornos de trabajo;
 - Granjas;
 - Uso por parte de clientes en hoteles, moteles y otros entornos de tipo residencial;
 - Entornos de tipo "bed and breakfast".
- **Consulte las ilustraciones y los apartados «Montaje de los accesorios» y «Desmontaje de los accesorios» para montar y desmontar los accesorios en el aparato.**
- **Consulte las instrucciones de uso para ajustar las velocidades y el tiempo de funcionamiento de cada accesorio.**
- Este aparato no está diseñado para ser utilizado por niños. Mantenga el aparato y su cable fuera del alcance de los niños.
- No permita que los niños jueguen con el aparato.
- Este aparato puede ser utilizado por personas con capacidades físicas, sensoriales o mentales reducidas o falta de conocimientos y experiencia en el manejo de este tipo de aparatos, siempre que cuenten con supervisión o hayan recibido instrucciones sobre el uso seguro del electrodoméstico y entiendan los riesgos que implica.
- La varilla de múltiples aspas (c3) y los tambores para rallado fino y para rallado grueso (g5 y g4) pueden ser utilizados por niños de 8 años en adelante, siempre que cuenten con supervisión o hayan recibido instrucciones sobre el uso seguro del electrodoméstico y entiendan los riesgos que implica. La limpieza y el mantenimiento de usuario no deben realizarlas los niños, excepto si son mayores de 8 años y lo hacen bajo la supervisión de un adulto. Mantenga el aparato y su cable fuera del alcance de los niños menores de 8 años.

ES

PUESTA EN MARCHA

- Antes de utilizar el aparato por primera vez, lave todas las piezas de los accesorios con agua y jabón (excepto el adaptador (e): consulte § limpieza) Aclárelos y séquelos.
- Coloque el aparato sobre una superficie plana, limpia y seca, compruebe que el botón regulador (a1) esté en la posición "0" y, a continuación, conéctelo.
- Para la puesta en marcha, dispone de varias posibilidades:
 - **Marcha intermitente (pulse):** Gire el botón regulador (a1) hacia la posición "pulse", impulsos sucesivos, para conseguir un mejor control de las preparaciones.
 - **Marcha continua:** Gire el botón regulador (a1) hacia la posición deseada de "1" a "máx" según las preparaciones que realice.

Se puede modificar durante la preparación.

- Para detener el aparato, devuelva el botón (a1) a la posición "0".

Importante: el aparato sólo se pondrá en marcha si la tapa de seguridad (a5) y el cabezal (a3) están acoplados. Si durante el funcionamiento desacopla la tapa (a5) y/o el cabezal (a3), el aparato se detendrá inmediatamente. Vuelva a acoplar la tapa y/o el cabezal, gire el botón regulador (a1) hasta la posición "0" y, a continuación, prosiga normalmente con la puesta en marcha del aparato seleccionando la velocidad deseada.

Este aparato de cocina está equipado con un microprocesador que controla y analiza la potencia durante el funcionamiento. **En caso de sobrecarga, el aparato se detendrá automáticamente.** Para volver a poner el aparato en marcha, devuelva el botón regulador (a1) a la posición "0" y retire una parte de los ingredientes. Deje reposar el aparato durante unos minutos. A continuación, podrá seleccionar la velocidad que desee para terminar la preparación.

La numeración de los apartados se corresponde con la numeración de los esquemas encuadrados.

1 - MEZCLAR / AMASAR / BATIR / EMULSIONAR / BATIR CON LAS VARILLAS

Según la naturaleza de los alimentos, el vaso de acero inoxidable (b1) y la tapa (b2) le permitirán preparar hasta 1,8 kg de pasta.

ACCESORIOS UTILIZADOS:

- Vaso de acero inoxidable (b1).
- Tapa (b2)
- Amasador (c1), batidor (c2) o varilla de múltiples aspas (c3)

1.1 - MONTAJE DE LOS ACCESORIOS

- Pulse el botón (a2) para desacoplar el cabezal multifunción (a3) y retírelo hasta el tope.
 - Acople el vaso de acero inoxidable (b1) (sentido horario) en el aparato y coloque los ingredientes.
 - Inserte el accesorio deseado (c1, c2 o c3) en el terminal (a6), presiónelo y gírelo con un cuarto de vuelta en el sentido contrario a las agujas del reloj para bloquearlo en su cavidad.
 - Devuelva el cabezal multifunción (a3) a la posición horizontal: pulse el botón (a2) y baje manualmente el cabezal multifunción (a3) hasta que se bloquee (devuelva el botón (a2) a la posición inicial).
 - Deslice la tapa (b2) sobre el vaso de acero inoxidable (b1).
- Nota:** el uso de la tapa no es obligatorio. Evita el riesgo de salpicaduras.
- Compruebe que la tapa (a5) esté bien acoplada (sentido horario) a la salida rápida (a4).

1.2 - PUESTA EN MARCHA

- Ponga en marcha el aparato girando el botón regulador (a1) hasta la posición deseada según la receta.
- El aparato se pone en funcionamiento inmediatamente.
 - Puede añadir los alimentos por el orificio de la tapa (b2) durante la preparación.
 - Para detener el aparato, devuelva el botón (a1) a la posición "0".

Consejos:

- **Amasar**
- Utilice el accesorio amasador (c1) **a la velocidad "1"**.
Puede amasar hasta 500 g de harina (por ejemplo: pan blanco, pan de cereales, pasta brisa, pasta sablée, ...).
- **Mezclar**
- Utilice el mezclador (c2) **de la velocidad "1" a "máx"**.
Puede mezclar hasta 1,8 kg de pasta ligera (bizcocho de cuatro partes, galletas, etc.)
- **Nunca utilice el mezclador (c2) para amasar pastas pesadas.**
- **Batir / emulsionar / batir con varillas**
- Utilice la varilla de múltiples aspas (c3) **de la velocidad "1" a "máx"**.
Puede preparar: mayonesa, alioli, salsas, claras a punto de nieve (hasta 8 claras de huevo), chantillí (hasta 500 ml)...
- **Nunca utilice la varilla de múltiples aspas (c3) para amasar pastas pesadas o mezclar pastas ligeras.**

1.3 - DESMONTAJE DE LOS ACCESORIOS

- Espere a que el aparato se detenga completamente.
- Retire la tapa (b2).
- Utilizando el botón (a2), desacople el cabezal multifunción (a3) y levántelo.
- Desbloquee el accesorio (c1), (c2) o (c3) del cabezal multifunción apretando el accesorio hacia el cabezal y girándolo un cuarto de vuelta en sentido horario.
- Retire el vaso de acero inoxidable.

2 - HOMOGENEIZAR / MEZCLAR / BATIR (SEGÚN MODELO)

Según la naturaleza de los alimentos, el vaso mezclador (d) permite preparar hasta 1,5 l de mezclas espesas y 1,25 l de mezclas líquidas.

ACCESORIOS UTILIZADOS:

- Vaso mezclador (d).

2.1 - MONTAJE DE LOS ACCESORIOS

- Sitúe el cabezal multifunción (a3) a la posición horizontal: pulse el botón (a2) y baje manualmente el cabezal multifunción (a3) hasta que se bloquee (devuelva el botón (a2) a la posición inicial).
- Desacople la tapa de seguridad (a5) de la salida rápida (a4) girándola en sentido contrario a las agujas del reloj y, a continuación, retírela.
- Compruebe que el aparato se haya detenido completamente antes de acoplar el vaso mezclador (d).
- Acople el vaso mezclador (d) en el terminal (a4) girándolo en sentido horario.
- Introduzca los alimentos en el vaso mezclador y acople la tapa (d2) con el tapón dosificador (d3), girándola en sentido contrario a las agujas del reloj.



2.2 - PUESTA EN MARCHA

- Ponga en marcha el aparato girando el botón regulador (a1) hasta la posición deseada según la receta. Para un mejor control de la mezcla y una mejor homogeneización de la preparación, utilice la posición "Pulse".
Puede añadir los alimentos por el orificio del tapón dosificador (d3) durante la preparación.
- Para detener el aparato, devuelva el botón (a1) a la posición "0".

Consejos:

Puede preparar:

- sopas con una textura muy suave, cremas, compotas, batidos de leche, cócteles.
- pastas ligeras (crepes, buñuelos, clafoutis, flanes, etc.).
- Si, durante la mezcla, los ingredientes se quedan pegados en la pared del vaso, detenga el aparato, retire el vaso mezclador, haga caer los ingredientes encima de las hojas y vuelva a colocar el vaso mezclador para continuar con la preparación.

2.3 - DESMONTAJE DEL ACCESORIO

- Espere a que el aparato se detenga completamente para retirar el vaso mezclador desacoplándolo en el sentido contrario a las agujas del reloj, y vuelva a colocar la tapa (a5) acoplándola en la salida (a4) (sentido horario).

3 - PICAR (SEGÚN MODELO)

ACCESORIOS UTILIZADOS:

- Adaptador (e)
- Cabezal picador montado (f)

3.1 - COLOCAR EL ADAPTADOR PICADOR

- Pulse el botón (a2) para desacoplar el cabezal multifunción (a3) y retírelo hasta el tope.
- Coloque el adaptador (e) y acóplelo en el sentido contrario a las agujas del reloj de manera que obtenga la salida en la prolongación del aparato.
- Devuelva el cabezal multifunción (a3) a la posición horizontal pulsando nuevamente el botón (a2).

3.2 - MONTAJE DEL CABEZAL PICADOR

- Sujete el cuerpo (f1) por el tubo de alimentación, con la apertura más ancha hacia arriba.
- Introduzca el serpentín (f2) (eje largo en primer lugar) en el cuerpo (f1).
- Coloque la cuchilla (f3) en el eje corto que sobresale del serpentín (f2) con las aristas cortantes hacia el exterior.
- Coloque el disco seleccionado (f4 o f5) en la cuchilla (f3) de manera que las dos pestañas coincidan con las dos muescas del cuerpo (f1).
- Enrosque la tuerca (f6) en el cuerpo (f1) con fuerza, en sentido horario, pero sin bloquearla.
- Compruebe el montaje. El eje no debe tener juego ni debe girar sobre sí mismo. En caso contrario, vuelva a realizar las operaciones anteriores.

3.3 - COLOCAR EL CABEZAL PICADOR EN EL APARATO

- Coloque el conjunto del cabezal picador (f) inclinado hacia la derecha, frente a la salida del adaptador (e) y haga corresponder los dos cierres de bayoneta del cabezal picador con las dos muescas del adaptador. Acople completamente el cabezal picador en el adaptador y, a continuación, devuelva el tubo de alimentación del cabezal picador a la posición vertical hasta el punto de bloqueo, girándolo en el sentido contrario de las agujas del reloj.
- Coloque la bandeja extraíble (f8) en el tubo.

3.4 - PUESTA EN MARCHA, CONSEJOS Y DESMONTAJE

- Compruebe que la tapa de seguridad (a5) esté bien acoplada (sentido horario) a la salida rápida (a4).
- Coloque un recipiente para recoger la preparación delante del aparato.
- Ponga el aparato en marcha girando el botón regulador (a1) a la velocidad "3" o "4".
- Introduzca la carne troceada por el tubo de alimentación con la ayuda del embutidor (f7). **Nunca apriete los ingredientes con los dedos o con otro utensilio por el tubo.**
- Para detener el aparato, gire el botón regulador hasta la velocidad "0" y espere a que el aparato se detenga completamente.
- Desacople el cabezal picador en el sentido contrario del montaje.

ES

Consejos:

- Prepare la cantidad de alimentos que desee picar (para la carne, elimine los huesos, cartílagos y nervios y córtela en trozos de unos 2 x 2 cm).
- Compruebe que la carne esté bien descongelada.
- Al final de la operación, puede hacer pasar unos pequeños trozos de pan para hacer salir todo el picadillo.

4 - RALLAR / CORTAR (SEGÚN MODELO)

ACCESORIOS UTILIZADOS:

- Adaptador (e)
- Corta-verduras montado (g)
- Tambores (según modelo)

4.1 - MONTAJE DE LOS ACCESORIOS

- Pulse el botón (a2) para desacoplar el cabezal multifunción (a3) y retírelo hasta el tope.
- Coloque el adaptador (e) y acóplelo en el sentido contrario a las agujas del reloj de manera que obtenga la salida en la prolongación del aparato.
- Devuelva el cabezal multifunción (a3) en posición horizontal pulsando nuevamente el botón (a2).
- Compruebe que la tapa de seguridad (a5) esté bien acoplada (sentido horario) a la salida rápida (a4).
- Coloque el depósito del tambor (g1) inclinado hacia la derecha, frente a la salida del adaptador (e) y haga corresponder los dos cierres de bayoneta del depósito del tambor con las dos muescas del adaptador. Acóplelo completamente y devuelva el tubo del depósito a la posición vertical hasta el punto de bloqueo, girándolo en el sentido contrario a las agujas del reloj.
- Inserte el tambor seleccionado en el depósito y compruebe que ha entrado completamente en el depósito.

4.2 - PUESTA EN MARCHA Y CONSEJOS

- Coloque un recipiente para recoger la preparación delante del aparato.

- Ponga el aparato en marcha girando el botón regulador (a1) a la velocidad "3" para cortar y a la velocidad "4" para rallar.
- Introduzca los alimentos por el tubo del depósito y guíelos con la ayuda del embutidor (g2). Nunca apriete los ingredientes con los dedos o con otros utensilios.
- Para detener el aparato, gire el botón regulador hasta la velocidad "0" y espere a que el aparato **se detenga completamente**.
- Desacople el depósito del tambor en el sentido contrario del montaje.
- con los tambores puede:
 - Rallar ingredientes de forma gruesa C (g4) / rallar ingredientes finos D (g5): zanahorias, apio-rábano, patatas, queso, etc.
 - Cortar ingredientes gruesos A (g3): patatas, zanahorias, pepinos, manzanas, remolacha, etc.
 - Reibekuchen E (g6): patatas, parmesano, etc.

5 - CENTRIFUGAR FRUTAS Y VERDURAS (SEGÚN MODELO)

ACCESORIOS UTILIZADOS:

- licuadora montada (h).

5.1 - MONTAJE DE LA LICUADORA

- Coloque el filtro (h3) en el centro del recipiente (h4).
- Bloqueo de la tapa: gírela en sentido contrario a las agujas del reloj y bloquee la tapa (h2) en el recipiente (h4) (posición cerrada del candado).
- Bloqueo global: coloque la palanca de bloqueo (h6) en la posición cerrada del candado.

5.2 - COLOCAR LA LICUADORA EN EL APARATO

- Sitúe el cabezal multifunción (a3) a la posición horizontal: pulse el botón (a2) y baje manualmente el cabezal multifunción (a3) hasta que se bloquee (devuelva el botón (a2) a la posición inicial).
- Desacople y retire la tapa (a5) de la salida rápida (a4) girándola en sentido contrario a las agujas del reloj.
- Compruebe que el aparato se haya detenido completamente antes de acoplar la licuadora (h).
- Bloquee la licuadora montada en la salida (a4) girándola en el sentido horario, para que la salida del vertedor quede alienada con el aparato.
- Encaje el vertedor (h5) en el recipiente (h4).

ES

5.3 - PUESTA EN MARCHA Y CONSEJOS

- Coloque un vaso grande debajo del vertedor (h5).
- Ponga el aparato en marcha girando el botón regulador (a1) a la velocidad "3".
- Trocee las frutas y/o las verduras.
- Introdúzcalas por el tubo de la tapa (h2) y guíelas con la ayuda del embutidor (h1). **Nunca apriete los ingredientes con los dedos o con otros utensilios.**
- No procese más de 5 veces seguidas 500 g de alimentos, sin dejar reposar el aparato completamente.
- Para obtener un mejor rendimiento, limpie el filtro cada 300 g de ingredientes.
- **Importante:** cuando el recipiente para la pulpa esté lleno, detenga el aparato y vacíelo.
- Para detener el aparato, gire el botón regulador hasta la velocidad "0" y espere a que el aparato se detenga completamente.
- **Espere a que el filtro giratorio se detenga completamente antes de retirar el conjunto del aparato.**
- Para retirar la licuadora, desacóplela girándola en el sentido contrario a las agujas del reloj.
- Coloque la palanca de bloqueo (h6) con el candado en posición cerrada. Abra la tapa (candado en posición abierta). Ya puede retirar el filtro (h3) para limpiarlo y vaciar el recipiente (h4).

Consejos:

- Puede preparar zumos de: zanahoria, tomate, manzana, uva, frambuesa, etc.
- Pele las frutas con piel gruesa, retire los huesos, retire la parte central de las piñas.
- Es imposible extraer zumo de determinadas frutas y verduras: plátanos, aguacates, moras, etc.
- Puede preparar zumos con diferentes tipos de frutas y verduras sin limpiar cada vez la licuadora; los sabores no se mezclarán. Sólo debe pasar un poco de agua por la licuadora en funcionamiento para aclararla antes de cada zumo.

- Consuma rápidamente los zumos después de su preparación y añada zumo de limón para conservarlos unas horas en fresco.

6 - ADAPTAR LA LONGITUD DEL CABLE

Para una utilización más cómoda o para el almacenamiento, puede reducir la longitud del cable colocándolo en el interior del bloque motor (a) mediante la apertura situada en la parte posterior (a7).

7 - PICAR FINAMENTE PEQUEÑAS CANTIDADES (SEGÚN MODELO)

ACCESORIO UTILIZADO:

- molinillo montado.

Con el molinillo puede:

- Picar en pocos segundos por impulsos: higos secos, albaricoques secos, etc.
cantidad / tiempo máximo: 100 g / 5 seg
Este molinillo no se ha diseñado para productos como el café.

LIMPIEZA

- Desconecte el aparato.
- No sumerja el bloque motor (a) ni el adaptador (e) en el agua o debajo de agua corriente. Límpielos con un trapo seco o un poco húmedo.
- Para una limpieza más fácil, aclare rápidamente los accesorios después de su utilización. Desmonte completamente el accesorio del cabezal picador. **Manipule todas las cuchillas con precaución; puede cortarse.**
- Lave, aclare y seque todos los accesorios: todos son aptos para el lavavajillas excepto el conjunto de accesorios metálicos del cabezal picador: cuerpo (f1), serpentín (f2), cuchilla (f3), discos (f4 y f5), tuerca (f6).
- Los discos (f4) y (f5) así como la cuchilla (f3) deben permanecer engrasados. Úntelos con aceite comestible con el fin de conservarlos.

Trucos:

- En caso de coloración de los accesorios por parte de alimentos (zanahorias, naranjas,...), frótelos con un trapo empapado en aceite comestible y, a continuación, prosiga con la limpieza habitual.
- Vaso mezclador (d): vierta agua caliente con unas cuantas gotas de jabón líquido en el vaso mezclador. Cierre la tapa. Colóquela en el aparato y dele unos cuantos impulsos. Una vez retirado, enjuague el vaso en agua corriente y déjelo secar (vaso invertido).

ALMACENAMIENTO

No guarde el aparato en un entorno húmedo.

¿QUÉ HACER SI EL APARATO NO FUNCIONA?

Si el aparato no funciona, compruebe:

- La conexión del aparato.
- El bloqueo de cada accesorio.
- La presencia y el bloqueo de la tapa de seguridad (a5) cuando no se utilice la salida rápida (a4).
- El bloqueo horizontal del cabezal multifunción (a3).

Este aparato de cocina está equipado con un microprocesador que controla y analiza la potencia durante el funcionamiento. En caso de sobrecarga, el aparato se detendrá automáticamente. Para volver a poner el aparato en marcha, devuelva el botón regulador (a1) a la posición "0" y retire una parte de los ingredientes. Deje reposar el aparato durante unos minutos. A continuación, podrá seleccionar la velocidad que desee para terminar la preparación.

¿Su aparato sigue sin funcionar? Diríjase a un centro de servicio oficial (consulte la lista del folleto de servicio).

ELIMINACIÓN DE LOS MATERIALES DE EMBALAJE Y DEL APARATO



El embalaje está exclusivamente compuesto por materiales inocuos para el medio ambiente que pueden eliminarse con arreglo a la normativa de reciclaje vigente en su localidad. Para deshacerse del aparato, contacte con el servicio correspondiente de su ayuntamiento.

PRODUCTO ELECTRÓNICO O ELÉCTRICO AL FINAL DE SU VIDA ÚTIL



¡Piense en el medioambiente!



Su aparato contiene numerosos materiales recuperables o reciclables.



Lleve el aparato a un centro de reciclaje de residuos (punto limpio).

ACCESORIOS

Puede personalizar su aparato y adquirir los siguientes accesorios de su proveedor habitual o de un centro oficial:

Vaso de acero inoxidable Tapa del vaso de acero inoxidable Amasador Batidor Varilla de múltiples aspas Vaso mezclador Licuadora Molinillo	Adaptador Cabezal picador Corta-verduras: - A: cortar - C: rallado grueso - D: rallado fino - E: reibekuchen Kit para pasta Accesorio para coulis Laminador
--	--

ES

Atención: no se le podrá vender ningún accesorio sin presentar las instrucciones de uso o el aparato.

RECETAS

NATA MONTADA

Ingredientes (para 6/8 personas) : 25 cl de nata líquida bien fría - 50 g de azúcar glas.

En el cuenco de acero inoxidable provisto del batidor de varillas y la tapa, ponga la nata líquida y el azúcar glas. Ponga en marcha a la velocidad 4 durante 2 minutos y luego a velocidad máxima durante 3 minutos y medio.

MAYONESA

Ingredientes : 1 yema de huevo - 1 cucharada sopera de mostaza 1 cucharadita de café de vinagre - 25 cl de aceite - sal y pimienta.

En el cuenco de acero inoxidable provisto del batidor de varillas y la tapa, ponga la yema de huevo, la mostaza, el vinagre, la sal y la pimienta. Seleccione la velocidad 1. Deje en marcha el batidor y empiece a echar el aceite en un chorrito pequeño. Al cabo de 10 segundos, pase a la velocidad máxima. Una vez incorporado el aceite a la preparación, deje en marcha el batidor durante otros 30 segundos.

Sugerencia: según su uso, añada un diente de ajo rallado.

PAN BLANCO

Ingredientes (para una hogaza de pan de 800 g) : 500 g de harina - 300 ml de agua templada - 10 g de levadura seca de panadería 10 g de sal.

En el cuenco de acero inoxidable, eche la harina, la sal y la levadura de panadería. Instale la amasadora de gancho y la tapa y ponga en marcha durante unos segundos a la velocidad 1. Añada el agua templada por la abertura de la tapa. Amase durante 8 minutos. Deje reposar la masa a temperatura ambiente durante 1/2 hora aproximadamente. A continuación, vuelva a trabajar la masa a mano y forme con ella una bola que colocará sobre la bandeja de repostería untada con mantequilla y enharinada de su horno. Deje crecer por segunda vez en un lugar templado durante aproximadamente 1 hora. Precaliente el horno a 240 °C. Practique unos cortes en la parte superior de la hogaza con ayuda de una cuchilla de afeitar y, con una brocha, moje con agua templada. Meta también en el horno un pequeño recipiente lleno de agua; esto favorecerá la formación de una corteza dorada. Hornee durante 40 minutos a 240 °C.

Sugerencia: la levadura de panadería no debe entrar nunca en contacto directo con el azúcar ni con la sal, ya que estos impiden que la levadura actúe.

MASA QUEBRADA

Ingredientes (para un fondo de tarta de 350 g) : 200 g de harina - 100 g de mantequilla - 5 cl de agua - una pizca de sal.

En el cuenco de acero inoxidable, eche la harina, la mantequilla y la sal. Instale la amasadora de gancho y la tapa, ponga en marcha el aparato a la velocidad 1 durante unos segundos y luego vierta toda el agua con el aparato en marcha. Deje el aparato en marcha hasta que la masa forme una gran bola. Déjela reposar al fresco durante al menos 1 hora, tapada con película transparente, antes de extenderla y hornearla.

ES**BRIOCHE**

Ingredientes (para 6 personas) : 250 g de harina - 5 g de sal - 25 g de azúcar - 100 g de mantequilla - 2 huevos enteros y 1 yema de huevo - 3 cucharadas soperas de leche tibia - 2 cucharadas soperas de agua - 5 g de levadura seca de panadería.

En el cuenco de acero inoxidable, ponga la harina y forme dos huecos: en uno de ellos ponga la sal y el azúcar, y en el segundo la levadura, la leche tibia y el agua. La sal y la levadura no deben ponerse juntas porque la levadura reacciona mal al contacto con la sal. Añada los huevos e instale la amasadora de gancho y la tapa. Seleccione la velocidad 1 y amase durante 15 segundos; luego pase a la velocidad 2 durante 2 minutos y 45 segundos. Sin detener el aparato, incorpore la mantequilla, que no deberá estar demasiado blanda (déjela previamente al uso media hora a temperatura ambiente) durante un minuto. Continúe amasando durante 5 minutos a la velocidad 2 y luego 5 minutos a la velocidad 3. Tape la masa y déjela crecer dos horas a temperatura ambiente. A continuación, trabaje vigorosamente la masa a mano haciéndola chasquear en el cuenco. Tape y deje crecer de nuevo dos horas en el frigorífico. Vuelva a trabajar la masa a mano haciéndola chasquear en el cuenco. Luego tape con película transparente y deje crecer la masa toda la noche en el frigorífico. Al día siguiente, unte con mantequilla y enharine un molde para brioche. Modele la masa en forma de bola. Póngala en el molde y déjela crecer en un lugar cálido hasta que rellene el molde (de 2 a 3 horas). Hornee a 180 °C durante 25 minutos.

Sugerencia: añada pepitas de chocolate o frutas confitadas.

BIZCOCHO SALADO

Ingredientes (para 6 personas) : 200 g de harina - 4 huevos - 1 sobre de levadura - 10 cl de leche - 5 cl de aceite de oliva - 12 tomates secos - 200 g de queso feta - 15 aceitunas verdes - deshuesadas - 1 pizca de curry (opcional) - sal, pimienta.

Precaliente el horno a 180 °C. Unte con mantequilla y enharine un molde para bizcocho. En el cuenco de acero inoxidable provisto de la amasadora de espas y la tapa, mezcle la harina, los huevos y la levadura empezando a la velocidad 1 y subiendo luego hasta la velocidad 3. Añada el aceite de oliva y

la leche fría y mezcle durante 1 minuto y medio. Pase a la velocidad 1 y añada los tomates secos, el queso feta, las aceitunas verdes (cortadas en trocitos) y el curry, y salpimente. Vierta la preparación en el molde y hornee de 30 a 40 minutos, según el horno. Pinche para comprobar el grado de cocción.

Sugerencia: sustituya el queso feta por mozzarella y añada unas hojas de albahaca troceadas.

BIZCOCHO DE CHOCOLATE

Ingredientes (para 8 personas) : 200 g de chocolate negro de pastelería - 150 g de azúcar en polvo - 125 g de harina - 125 g de mantequilla reblandecida - 4 huevos - 20 cl de nata líquida - 100 g de almendras en polvo (opcional) - 1 sobre de azúcar de vainilla 11 g de levadura química - 1 pizca de sal.

Precaliente el horno a 180 °C. Funda al baño maría o en horno microondas el chocolate cortado en trozos con 3 cucharadas soperas de agua. Añada gradualmente un poco de mantequilla removiendo para que el chocolate quede homogéneo. Deje enfriar hasta que esté templado. Separe las yemas de huevo de las claras. Reserve las claras. En el cuenco de acero inoxidable equipado con la amasadora de espas y la tapa, ponga las yemas de huevo, el chocolate fundido, la nata, el resto de la mantequilla, el azúcar, el azúcar de vainilla y las almendras en polvo. Ponga en marcha a la velocidad 1 durante 20 segundos para mezclar. Pase a la velocidad 2 e incorpore la harina mezclada con la levadura por la abertura de la tapa, y deje en marcha unos 2 minutos hasta obtener una masa homogénea. Reserve en una ensaladera grande. En el cuenco de acero inoxidable limpio equipado con el batidor de varillas, ponga las claras de huevo con la pizca de sal, bata bien las claras a la velocidad 5 durante 1 minuto y 45 segundos y pase luego a la velocidad máxima durante 30 segundos. Con ayuda de una espátula, incorpore suavemente las claras a punto de nieve a la preparación de chocolate. Vierta en un molde de bizcocho untado de mantequilla y enharinado. Hornee a 180 °C durante 25 minutos.

Sugerencia: este pastel está delicioso servido con crema inglesa o bolas de helado de vainilla.

ES

Para más ideas de recetas, visite www.tefal.com

Paldies, ka izvēlējāties šo ierīci, kas īpaši paredzēta ēdiena gatavošanai mājās (iekštelpās).

APRAKSTS

<p>a - Motora bloks</p> <p>a1 Elektroniskais ātruma regulators</p> <p>a2 Daudzfunkcionālā uzgaļa atbrīvošanas taustiņš (a3)</p> <p>a3 Daudzfunkcionālais uzgalis</p> <p>a4 Ātrā izeja (blendera trauks/sulu spiede/dzirnaviņas)</p> <p>a5 Drošības uzlika</p> <p>a6 Miksera piederumu izeja (mīcītājs, daudzزارu slotiņa, maisītājs)</p> <p>a7 Vada glabātava</p> <p>b - Trauka komplekts</p> <p>b1 Nerūsējošā tērauda trauks</p> <p>b2 Vāks</p> <p>c - Miksera piederumi</p> <p>c1 Mīcītājs</p> <p>c2 Maisītājs</p> <p>c3 Daudzزارu slotiņa</p> <p>d - Blendera trauks (atkarībā no modeļa)</p> <p>d1 Trauks</p> <p>d2 Vāks</p> <p>d3 Dozēšanas noslēgs</p> <p>e - Piederumu turētājs (atkarībā no modeļa)</p>	<p>f - Gaļasmašīnas uzgalis (atkarībā no modeļa)</p> <p>f1 Metāla korpuss</p> <p>f2 Vītne</p> <p>f3 Asmens</p> <p>f4 Restīte ar lielām atverēm</p> <p>f5 Restīte ar mazām atverēm</p> <p>f6 Uzgrieznis</p> <p>f7 Spiede</p> <p>f8 Paplāte</p> <p>g - Dārzeņu griezējs (atkarībā no modeļa)</p> <p>g1 Cilindru kārbā</p> <p>g2 Spiede</p> <p>g3 A cilindrs griešanai</p> <p>g4 C cilindrs rupjai rīvēšanai</p> <p>g5 D cilindrs smalkai rīvēšanai</p> <p>g6 E cilindrs saberšanai</p> <p>h - Sulu spiede (atkarībā no modeļa)</p> <p>h1 Spiede</p> <p>h2 Vāks</p> <p>h3 Rotējošais filtrs</p> <p>h4 Savākšanas korpuss</p> <p>h5 Noteces snīpis</p> <p>h6 Atbrīvošanas svira</p>
--	--

LV

DROŠĪBAS NORĀDĪJUMI

- Pirms ierīces pirmās izmantošanas rūpīgi iepazīstieties ar lietošanas norādījumiem un saglabāiet tos: jebkura izmantošana, kas neatbilst lietošanas norādījumiem, atbrīvo ražotāju no jebkādas atbildības.
- Šo ierīci aizliegts izmantot personām ar nepietiekamām fiziskajām, maņu vai garīgajām spējām (tostarp bērniem) vai arī personām ar nepietiekamu pieredzi vai zināšanām, ja persona, kura atbildīga par to drošību, nav tās iepazīstinājusi ar ierīces lietošanu un nav iemācījusi šo ierīci lietot. Neļaujiet bērniem rotaļāties ar šo ierīci.
- Pārliedzinieties, vai ierīces spriegums atbilst jūsu elektrotīklam. **To neievērojot, garantija tiek zaudēta.**
- Šī ierīce ir paredzēta vienīgi uzraudzītai lietošanai mājsaimniecības kulinārijai iekštelpās augstumā, kas nepārsniedz 2000 m.
- Pirms ierīces pirmās izmantošanas notīriet virsmas, kas nonāk saskarē ar pārtikas produktiem. Lūdzu, skatiet norādījumus šīs pamācības nodaļā „ledarbināšana”, bet pēc katras izmantošanas reizes, kā arī norādījumus par ierīces apkopi un tīrīšanu skatiet norādījumus nodaļā „Tīrīšana”.

- Vienmēr atvienojiet ierīci no tīkla, pirms to atstājat bez uzraudzības, kā arī pirms ierīces salikšanas, izjaukšanas vai tīrīšanas.
- Nelietojiet ierīci, ja tā nedarbojas pareizi vai ir bojāta. Šādā gadījumā vērsieties sertificētā servisa centrā (to saraksts ir pievienots).
- Jebkādas darbības, kas nav parastā tīrīšana vai apkope, ko veic klients, jāveic sertificētam servisam (to saraksts ir pievienots).
- Ne ierīci, ne kontaktdakšu, ne kabeli nelieciet ūdenī vai citā šķidrumā.
- Neļaujiet elektrības kabelim brīvi karāties bērniem pieejamā vietā, pieskarieties tās karstajām daļām, siltuma avotiem un asām malām vai atrasties to tuvumā.
- Ja elektrības kabelis vai kontaktdakša ir bojāta, nelietojiet ierīci. Lai neietekmētu drošību, detaļu maiņu vai remontu uzticiet sertificētam servisa centram (to saraksts ir pievienots).
- Neievietojiet piederumus mikroviļņu krāsnī.
- Jūsu drošības labad, izmantojiet vienīgi tādus piederumus un papildu detaļas, kas piemērotas jūsu ierīcei un ko pārdod sertificētos servisa centros.
- Ja ierīci izmantosiet nepareizi, jūs varat savainoties.
- Asmeņi (d, f, g) ir ļoti asi — iztukšojot trauku, uzstādot asmeņus uz piederuma vai noņemot asmeņus no tā, kā arī tīrīšanas laikā rīkojieties ar tiem piesardzīgi, lai nesavainotos.
- Vienmēr noņemiet blendera trauku (d) vai sulu spiedi (h), pirms piespiežat daudzfunkcionālā uzgaļa, (a3) atbrīvošanas taustiņu (a2).
- Strādājot ar gaļasmašīnas uzgaļa piederumu (f), bīdot produktus vienmēr izmantojiet spiedi (f7), nekad nedariet to ar pirkstiem, dakšu, karoti, nazi vai kādu citu priekšmetu.
- Nekad neaiztieciest kustīgās detaļas un pirms piederumu noņemšanas sagaidiet pilnīgu ierīces apstāšanos.
- Iekārtas darbības laikā neaiztieciest ne slotiņas, ne mīcītāju.
- Kad ierīce darbojas, uzmanieties, lai virs tās nenokarātos mati, šalles, kaklasaites u. tml.
- Nekad neievietojiet galda piederumus (karoti, lāpstiņu...) caur vāku atverēm (b2), (d2) vai (h2), kā arī cilindru kārbā (g1).
- Nedarbiniet blendera trauku (d1) bez vāka (d2).
- Vienā reizē lietojiet tikai vienu piederumu.
- Nekad nelejiet blendera traukā verdošu šķidrumu.
- Nelietojiet blendera trauku, kad tas ir tukšs.
- Vienmēr izmantojiet blendera trauku ar vāku.
- Nekad nenoņemiet vāku, pirms ierīce nav pilnībā apstājusies.
- Blendera traukā vienmēr vispirms leļiet šķidrās sastāvdaļas un tikai tad pievienojiet cietās sastāvdaļas.
- Neizmantojiet tvertnes (b1, d1) kā konteinerus (saldēšanai, vārīšanai,

sterilizācijai...).

- Nelietojiet sulas spiedi, ja rotējošais filtrs (h3) vai aizsargvāks (h2) ir bojāts vai saplaisājis.
- Pirms piederumu nomaiņas un piekļuves detaļām, kas darbības laikā ir kustīgas, izslēdziet ierīci un atvienojiet to no tīkla.
- Esiet piesardzīgi, lejojot karstu šķidrumu virtuves kombainā vai mikserī, jo tas var pēkšņi izvirt no ierīces.
- Šī ierīce nav paredzēta izmantošanai mājās šādā un tamlīdzīgā veidā (uz šādu izmantojumu garantija neattiecas):
 - virtuves darba zonā veikalos, birojos un citās darba vietās;
 - zemnieku saimniecībās;
 - to nevar izmantot viesnīcā, moteļā un citu dzīvojamo vietu apmeklētāji;
 - viesu namos un tamlīdzīgās vietās.
- **Informāciju par to, kā uzstādīt un noņemt ierīces piederumus, var atrast dažādos attēlos un iedaļās „Piederumu uzstādīšana” un „Piederumu noņemšana”.**
- **Informāciju par to, kā iestatīt katra piederuma darbības ātrumu un laiku, var atrast lietošanas norādījumos.**
- Šo ierīci nedrīkst izmantot bērni. Glabājiet ierīci un tās vadu bērniem nepieejamā vietā.
- Bērni nedrīkst ar ierīci spēlēt.
- Personas ar nepietiekamām fiziskajām, maņu vai garīgajām spējām vai arī personas ar nepietiekamu pieredzi vai zināšanām drīkst izmantot šo ierīci, ja tās tiek uzraudzītas vai ir iepazinušās ar norādījumiem par to, kā ierīci izmantot droši, un apzinās tās radītos draudus.
- Slotiņu (c3) un cilindrus smalkai un rupjai rīvēšanai (g5 un g4) var izmantot bērni, kuriem ir vismaz 8 gadi, ja viņi tiek uzraudzīti vai ir saņēmuši norādījumus par to, kā ierīci izmantot droši, un apzinās ierīces radītos draudus. Bērni drīkst tīrīt un apkopt ierīci tikai tad, ja viņiem ir vismaz 8 gadi un ja viņus uzrauga pieaugušais. Ierīce un tās vads jāglabā vietā, kurai nevar piekļūt bērni, kam vēl nav 8 gadi.

LV

IEDARBINĀŠANA

- Pirms pirmās izmantošanas visus piederumus nomazgājiet ziepjūdenī (izņemot adapteri (e): skatīt nodaļu par tīrīšanu). Noskalojiet un noslaukiet.
- Nolieciet iekārtu uz gludas, tīras un sausas virsmas, pārlicinieties, ka regulatora taustiņš (a1) ir pozīcijā "0", pieslēdziet ierīci strāvai.
- Ir vairāki veidi, kā to iedarbināt:
 - **Darbība ar pārtraukumiem (pulse):** Pagrieziet regulatora taustiņu (a1) pozīcijā "pulse", veicot secīgas darbības, lai labāk kontrolētu gatavošanas procesu.
 - **Nepārtraukta darbība:** Pagrieziet regulatora taustiņu (a1) vēlamajā pozīcijā no "1" līdz "max", ņemot vērā veicamo darbību.

Gatavošanas laikā jūs to varat mainīt.

• Lai apturētu ierīci, pagrieziet taustiņu (a1) "0" pozīcijā.

Svarīgi: Ierīci var iedarbināt vienīgi tad, ja uzlika (a5) un uzgalis (a3) ir nostiprināti. Ja darbības laikā noņemat uzliku (a5) un/vai uzgali (a3), ierīce uzreiz apstājas. No jauna nostipriniet uzliku un/vai uzgali, vadības taustiņu (a1) pagrieziet "0" pozīcijā un veiciet parastās darbības, lai iedarbinātu ierīci, izvēloties vajadzīgo ātrumu.

Šī virtuves ierīce ir aprīkota ar mikroprocesoru, kas kontrolē un analizē darbības jaudu. **Pārāk lielas noslodzes gadījumā, ierīce pati izslēdzas.** Lai atkārtoti iedarbinātu ierīci, pagrieziet regulēšanas taustiņu (a1) "0" pozīcijā un izņemiet daļu sastāvdaļu. Dažas minūtes ierīci nedarbiniet. Pēc tam jūs varat izvēlēties vēlamo ātrumu, lai pabeigtu gatavošanu.

Sadaļu numerācija atbilst ierāmēto shēmu numerācijai.

1 - MAISIŠANA/MĪCĪŠANA/PUTOŠANA /EMULSIJAS GATAVOŠANA/KULŠANA

Atkarībā no sastāvdaļām nerūsējošā tērauda traukā (b1) ar vāku (b2) jūs varat sagatavot līdz pat 1,8 kg mīklas.

IZMANTOTIE PIEDERUMI:

- Nerūsējošā tērauda trauks (b1).
- Vāks (b2)
- Mīcītājs (c1), maisītājs (c2) vai daudzaru slotiņa (c3)

1.1 - PIEDERUMU UZSTĀDĪŠANA

- Piespiediet taustiņu (a2), lai atbrīvotu daudzfunkcionālo uzgali (a3), un paceliet to līdz galam.
 - Nostipriniet nerūsējošā tērauda trauku (b1) uz ierīces (pulksteņrādītāja virzienā) un ielieciet sastāvdaļas.
 - Ievietojiet vēlamo piederumu (c1, c2 vai c3) izejā (a6), piespiediet un pagrieziet par četrdesmit pieciem grādiem pretēji pulksteņrādītāja virzienam, lai nostiprinātu piederumu.
 - Novietojiet daudzfunkcionālo uzgali (a3) horizontālā pozīcijā: piespiediet taustiņu (a2) un manuāli laidiet lejā daudzfunkcionālo uzgali (a3), līdz tas ir nostiprināts (taustiņš (a2) atgriežas sākotnējā pozīcijā).
 - Novietojiet vāku (b2) uz nerūsējošā tērauda trauka (b1).
- Piezīme:** Vāka lietošana nav obligāta. Tas ļauj izvairīties no traipiem un izšļakstīšanās.
- Pārļiecinieties, ka virs ātrās izejas (a4) ir kārtīgi nostiprināta uzlika (a5) (pulksteņrādītāja virzienā).

1.2 - IEDARBINĀŠANA

Ieslēdziet ierīci, pagriežot regulatora taustiņu (a1) vēlamajā pozīcijā, saskaņā ar recepti.

- Ierīce uzreiz sāk darboties.
- Jūs gatavošanas laikā varat pievienot produktus caur vāka (b2) atveri.
- Lai apturētu ierīci, pagrieziet taustiņu (a1) "0" pozīcijā.

leiekumi:

- Mīcīšanai

- Izmantojiet mīcīšanas piederumu (c1) **ar "1" ātrumu.**

Jūs varat samīcīt līdz 500 g miltu (piemēram: baltmaize, graudu maize, drupaču mīkla, smilšu mīkla u. c.).

- Maisīšanai

- Izmantojiet maisītāju (c2) **ar ātrumu "1" līdz "max".**

Jūs varat samaisīt līdz 1,8 kg vieglas mīklas (pirāgiem, cepumiem utt.).

- **Nekad neizmantojiet maisītāju (c2) smago mīklu mīcīšanai.**

- Putošanai/kulšanai/emulsijas gatavošanai

- Izmantojiet daudzaru slotiņu (c3) **ar ātrumu "1" līdz "max".**

- Jūs varat sagatavot: majonēzi, ķiploku mērci, citas mērces, saputot olu baltumus (līdz astoņiem olu baltumiem), putukrējumu (līdz 500 ml)...
- **Nekad neizmantojiet daudzزارu slotiņu (c3), lai mīcītu smagās mīklas vai maisītu vieglās mīklas.**

1.3 - PIEDERUMU NONEMSANA

- **Pagaidiet, līdz ierīce pilnībā apstājas.**
- Noņemiet vāku (b2).
- Piespiežot taustiņu (a2), atbrīvojiet daudzfunkcionālo uzgali (a3) un paceliet to uz augšu.
- Atbloķējiet piederumu (c1), (c2) vai (c3) no daudzfunkcionālā uzgaļa, spiežot piederumu uzgaļa virzienā un pagriežot to par četrdesmit pieciem grādiem pulksteņrādītāja virzienā.
- Noņemiet nerūsējošā tērauda trauku.

2 - VIENDABĪGAS MASAS VEIDOŠANAI/MAISĪŠANAI/SMALCINĀŠANAI (ATKARĪBĀ NO MODEĻA)

Atkarībā no produktu veida blendera traukā (d) jūs varat sagatavot līdz 1,5 l bieza maisījuma un 1,25 l šķidra maisījuma.

IZMANTOTIE PIEDERUMI:

- Blendera trauks (d).

2.1 - PIEDERUMU UZSTĀDĪŠANA

- Novietojiet daudzfunkcionālo uzgali (a3) horizontālā pozīcijā: piespiediet taustiņu (a2) un manuāli laidiet lejā daudzfunkcionālo uzgali (a3) līdz tas ir nostiprināts (taustiņš (a2) atgriežas sākotnējā pozīcijā).
- No ātrās izejas (a4) ņemiet drošības uzliku (a5), pagriežot to pretēji pulksteņrādītāja virzienam un paceļot.
- Pirms blendera trauka (d) nostiprināšanas pārlicinieties, ka ierīce ir izslēgta.
- Nostipriniet blendera trauku (d) uz izejas (a4), pagriežot pulksteņrādītāja virzienā.
- Lieciet produktus smalcinātāja traukā un uzlieciet vāku (d2), kas aprīkots ar dozēšanas noslēgu (d3), pagriežot to pretēji pulksteņrādītāja virzienam.

2.2 - IEDARBINĀŠANA

- Ieslēdziet ierīci, pagriežot regulatora taustiņu (a1) vēlamajā pozīcijā, saskaņā ar recepti. Labākai smalcināšanas kontrolei un viendabīgas masas veidošanai, izmantojiet pozīciju "Pulse". Jūs gatavošanas laikā varat pievienot produktus caur dozēšanas noslēga (d3) atveri.
- Lai apturētu ierīci, pagriežiet taustiņu (a1) "0" pozīcijā.

Ieteikumi:

Jūs varat sagatavot:

- Biezzupas, krēmus, kompotus, piena kokteiļus, kokteiļus.
- Vieglas mīklas (pankūkas, plāceņi, augļu pīrāgs, krēms brulē...).
- Ja jaukšanas laikā sastāvdaļas paliek pie trauka sienām, apturiet ierīci, noņemiet blendera trauku, sabīdīdiet sastāvdaļas uz asmeņiem, novietojiet blendera trauku atpakaļ un turpiniet gatavošanu.

2.3 - PIEDERUMA NOŅĒMŠANA

- Sagaidiet, lai ierīce ir pilnībā apstājusies, noņemiet blendera trauku, pagriežot to pretēji pulksteņrādītāja virzienam, un uzlieciet uzliku (a5), noslēdzot izeju (a4) (pulksteņrādītāja virzienā).

3 - GAĻAS MALŠANAI (ATKARĪBĀ NO MODEĻA)

IZMANTOTIE PIEDERUMI:

- Piederumu turētājs (e)
- Salikts gaļasmašīnas uzgalis (f)

3.1 - GAĻASMAŠĪNAS ADAPTERA UZSTĀDĪŠANA

- Piespiediet taustiņu (a2), lai atbrīvotu daudzfunkcionālo uzgali (a3), un paceliet to līdz galam.
- Novietojiet adapteri (e), pagriežot pretēji pulksteņrādītāja virzienam tā, lai izeja būtu ierīces pagarinātajā daļā.
- Daudzfunkcionālo uzgali (a3) novietojiet horizontālā pozīcijā, vēlreiz nospiežot taustiņu (a2).

3.2 - GAĻASMAŠĪNAS UZGAĻA SALIKŠANA

- Satveriet korpusu (f1) aiz padeves caurules un novietojiet ar lielāko atveri uz augšu.
- Ievietojiet korpusā (f1) vītņi (f2) (ar garo asi pa priekšu).
- Novietojiet asmeni (f3) uz vītnes (f2) isās ass ar asajām malām uz ārpusi.
- Novietojiet izvēlēto restīti (f4 vai f5) uz asmens (f3), saskaņojot abus izciļņus ar abām iedobēm korpusā (f1).
- Pulksteņrādītāja virzienā stingri uzskrūvējiet uzgriezni (f6) uz korpusa (f1), tomēr to nenobloķējot.
- Pārbaudiet, kā ir salikts. Ass nedrīkst kustēties un griezties ap sevi. Pretējā gadījumā atkārtojiet iepriekš minētās darbības.

3.3 - GAĻASMAŠĪNAS DARBINĀŠANA UZ IERĪCES

- Pavēršot uz labo pusi, pielieciet salikto gaļasmašīnu (f) pie adaptera (e) izejas, saskaņojiet abus gaļasmašīnas izvirkumus ar abām adaptera iedobēm. Ievietojiet gaļasmašīnas uzgali līdz galam un tad, griežot pretēji pulksteņrādītāja virzienam, novietojiet gaļasmašīnas uzgali vertikālā pozīcijā, līdz tas nobloķējas.
- Virs padeves caurules novietojiet noņemamo paplāti (f8).

3.4 - IEDARBINĀŠANA, PADOMI UN NOŅĒMŠANA

- Pārliecinieties, ka drošības uzlika (a5) virs ātrās izejas (a4) ir kārtīgi nostiprināta (pulksteņrādītāja virzienā).
- Ierīces priekšā nolieciet trauku sagatavotās masas savākšanai.
- Iedarbiniet, regulatoru (a1) pagriežot līdz "3" vai "4" ātrumam.
- Ar spiedes (f7) palīdzību caur padeves cauruli vienu pēc otra ievietojiet gaļas gabalus. **Nekad nebidiet produktus padeves caurulē ar pirkstiem vai gada piederumiem.**
- Lai apturētu ierīci, pagriežiet regulatoru "0" pozīcijā un sagaidiet līdz ierīce pilnībā apstājas.
- Noņemiet gaļasmašīnas uzgali, veicot uzstādīšanai pretējas darbības.

Ieteikumi:

- Sagatavojiet visus maļamos produktus (gaļai izņemiet kaulus, skrimšļus un cīpslas un sagrieziet to aptuveni 2x2 cm lielos gabalos).
- Pārliecinieties, ka gaļa ir kārtīgi atsaldēta.
- Darbības beigās jūs varat ievietot dažus nelielus maizes gabalus, lai dabūtu ārā visu samalto gaļu.

4 - RĪVĒŠANAI/GRIEŠANAI (ATKARĪBĀ NO MODEĻA)

IZMANTOTIE PIEDERUMI:

- Piederumu turētājs (e)
- Salikts dārzenu griezējs (g)
- Cilindri (atkarībā no modeļa)

4.1 - PIEDERUMU UZSTĀDĪŠANA

- Piespiediet taustiņu (a2), lai atbrīvotu daudzfunkcionālo uzgali (a3), un paceliet to līdz galam.
- Novietojiet adapteri (e), pagriežot pretēji pulksteņrādītāja virzienam tā, lai izeja būtu ierīces pagarinātajā daļā.
- Daudzfunkcionālo uzgali (a3) novietojiet horizontālā pozīcijā, vēlreiz nospiežot taustiņu (a2).

- Pārlicinieties, ka drošības uzlika (a5) virs ātrās izejas (a4) ir kārtīgi nostiprināta (pulksteņrādītāja virzienā).
- Paveršot uz labo pusi, pielieciet salikto cilindru kārbu (g1) pie adaptera (e) izejas, saskaņojiet abus cilindru kārbas izvirkumus ar abām adaptera iedobēm. Ievietojiet cilindru kārbu līdz galam un tad, griežot pretēji pulksteņrādītāja virzienam, novietojiet to vertikālā pozīcijā, līdz tā nobloķējas.
- Ievietojiet kārbā izvēlēto cilindru un pārlicinieties, ka tas ir ievietots pilnībā.

4.2 - IEDARBINĀŠANA UN PADOMI

- Ierīces priekšā nolieciet trauku sagatavotās masas savākšanai.
- Iedarbiniet, regulatoru (a1) pagriežot līdz "3" ātrumam griešanai un "4" ātrumam rīvēšanai.
- Ievietojiet produktus kārbas padeves caurulē un bidiet tos ar spiedi (g2). **Nekad nebīdīet produktus ar pirkstiem vai galda piederumiem.**
- Lai apturētu ierīci, pagriežiet regulatoru "0" pozīcijā un sagaidiet līdz ierīce **pilnībā apstājas**.
- Noņemiet cilindru kārbu, veicot uzstādīšanai pretējas darbības.
- Izmantojot cilindrus, jūs varat:
 - Rupji sarīvēt C (g4)/smalki sarīvēt D (g5): burkānus, selerijas sakni, kartupeļus, sieru...
 - Sagriezt biežās šķēlēs A (g3): kartupeļus, burkānus, gurķus, ābolus, bietes,...
 - Sāberzt E (g6): kartupeļus, parmežānu ...

5 - AUGĻU UN DĀRZEŅU SULU SPIEŠANAI (ATKARĪBĀ NO MODEĻA)

IZMANTOTIE PIEDERUMI:

- salikta sulu spiede (h).

LV

5.1 - SULU SPIEDES SALIKŠANA

- Novietojiet filtru (h3) savākšanas korpusa (h4) centrā.
- Vāka nostiprināšana: pagriežiet pretēji pulksteņrādītāja virzienam un nostipriniet vāku (h2) uz savākšanas korpusa (h4) (pozīcijā "piekaramā atslēga slēgta").
- Pilnīga nostiprināšana: pabīdīet atbrīvošanas sviru (h6) pozīcijā "piekaramā atslēga slēgta".

5.2 - SULU SPIEDES NOVIETOŠANA UZ IERĪCES

- Novietojiet daudzfunkcionālo uzgali (a3) horizontālā pozīcijā: piespiediet taustiņu (a2) un manuāli laidiet lejā daudzfunkcionālo uzgali (a3) līdz tas ir nostiprināts (taustiņš (a2) atgriežas sākotnējā pozīcijā).
- No izejas (a4) ņemiet uzliku (a5), pagriežot to pretēji pulksteņrādītāja virzienam un paceļot.
- Pirms sulu spiedes (h) nostiprināšanas pārlicinieties, ka ierīce ir izslēgta.
- Nostipriniet salikto sulu spiedi uz izejas (a4), pagriežot pulksteņrādītāja virzienā tā, lai noteces snīps atrastos ierīces taisnajā daļā.
- Pievienojiet noteces snīpi (h5) savākšanas korpusam (h4).

5.3 - IEDARBINĀŠANA UN PADOMI

- Zem noteces snīpja novietojiet lielu glāzi (h5).
- Iedarbiniet, regulatoru (a1) pagriežot līdz "3" ātrumam.
- Augļus un/vai dārzeņus sagriežiet gabaliņos.
- Ievietojiet produktus vāka atverē (h2) un lēnām bīdīet tos ar spiedi (h1). **Nekad nebīdīet produktus ar pirkstiem vai galda piederumiem.**
- Vienmēr pēc tam, kad piecas reizes pēc kārtas ir ievietoti 500 g produktu, ļaujiet ierīcei pilnībā atdzist.
- Lai iegūtu vislabāko rezultātu, ik pēc 300 g sastāvdaļu iztīriet filtru.
- **Svarīgi:** Tiklīdz savākšanas korpusi ir pilni ar mīkstumam, apturiet ierīci un iztukšojiet savākšanas korpusu.
- Lai apturētu ierīci, pagriežiet regulatoru "0" pozīcijā un sagaidiet līdz ierīce pilnībā apstājas.
- **Pirms saliktā piederuma noņemšanas no ierīces sagaidiet, līdz rotejošais filtrs pilnībā apstājas.**

- Lai noņemtu sulu spiedi, atbrīvojiet to, pagriežot pretēji pulksteņrādītāja virzienam.
- Novietojiet atbrīvošanas sviru (h6) pozīcijā "piekaramā atslēga atvērta". Atveriet vāku (pozīcijā "piekaramā atslēga atvērta"). Tagad jūs varat izņemt filtru (h3), lai to iztīrītu un iztukšotu savākšanas korpusu (h4).

Ieteikumi:

- Jūs varat sagatavot dažādas sulas: burkānu, tomātu, ābolu, vīnogu, zemeņu,...
- Nomizojiet augļus ar biezu mizu, izņemiet kauliņus, ananāsam izņemiet serdi.
- No dažiem augļiem un dārzeņiem sulu nav iespējams iegūt: banāniem, avokado, ļoti gataviem augļiem, dārzeņiem utt.
- Jūs varat gatavot sulas no dažādiem augļiem un dārzeņiem, katru reizi nemazgājot sulu spiedi. Pietiek vien starp dažādiem augļiem un dārzeņiem sulu spiedes darbības laikā ieliet tajā nedaudz ūdens, lai to izskalotu.
- Dzeriet sulas uzreiz pēc to sagatavošanas vai pievienojiet nedaudz citronu sulas, lai tās dažas stundas saglabātu svaigumu.

6 - VADA GARUMA REGULĒŠANA

Lai ierīces lietošana un uzglabāšana būtu ērtāka, jūs varat samazināt vada garumu, iestumjot to motora blokā (a) caur atveri, kas atrodas ierīces aizmugurē (a7).

7 - NĒLIELA PRODUKTU DAUDZUMA SĪKAI SMALCINĀŠANAI (ATKARĪBĀ NO MODEĻA)

IZMANTOTIE PIEDERUMI:

- saliktas dzirnaviņas.

LV

Ar dzirnaviņām jūs varat:

- Pāris pulsācijas sekundēs sasmalcināt: žāvētas vīģes, žāvētas aprikozes...
 daudzums / maksimālais laiks: 100g / 5s
 Šīs dzirnaviņas nav piemērotas cietiem produktiem, piemēram, kafijai.

TĪRĪŠANA

- Atslēdziet ierīci no strāvas.
- Ne motora bloku (a), ne adapteri (e) nekad nemērciet ūdenī un nelieciet zem tekoša ūdens. Notīriet tos ar sausu vai nedaudz mitru drāniņu.
- Lai tīrīšana būtu vieglāka, visus piederumus noskalojiet uzreiz pēc lietošanas. Gaļasmašīnas uzgali izjauciet pilnībā. **Ar visiem asmeņiem rīkojieties uzmanīgi, ar tiem jūs varat savainoties.**
- Piederumus nomazgājiet, noskalojiet un noslaukiet: tos var mazgāt trauku mazgājamajā mašīnā, izņemot gaļasmašīnas uzgaļa metāla sastāvdaļas: korpusu (f1), vītņi (f2), asmeni (f3), restītes (f4 un f5), uzgriezni (f6).
- Restītēm (f4) un (f5), kā arī asmenim (f3) ir jābūt ieeļļotiem. To glabāšanai izmantojiet pārtikas eļļu.

Padomi:

- Gadījumā, ja piederumi maina krāsu saskarē ar noteiktiem produktiem (burkāniem, apelsīniem), notīriet tos ar nedaudz eļļā samitrinātu drāniņu, pēc tam veiciet parasto tīrīšanu.
- Blendera trauks (d): blendera traukā ielejiet siltu ūdeni un pievienojiet dažus pilienus mazgājamā līdzekļa. Aiztaisiet vāku. Uzlieciet to uz ierīces un veiciet dažus impulsus. Noņemiet trauku, noskalojiet tekošā ūdenī un atstājiet žāvēties (apgriežot trauku).

GLABĀŠANA

Neglabājiet ierīci mitrā vietā.

KO DARĪT, JA JŪSU IERĪCE NEDARBOJAS?

Ja jūsu ierīce nedarbojas, pārbaudiet, vai:

- ierīce ir pieslēgta elektrotīklam;
- piederumi ir uzlikti pareizi;
- ir uzlikta un nostiprināta drošības uzlika (a5), ja ātrā izeja (a4) netiek izmantota;
- daudzfunkcionālais uzgalis (a3) ir nostiprināts horizontāli.

Šī virtuves ierīce ir aprīkota ar mikroprocesoru, kas kontrolē un analizē darbības jaudu. Pārāk lielas noslodzes gadījumā, ierīce pati izslēdzas. Lai atkārtoti iedarbinātu ierīci, pagrieziet regulēšanas taustiņu (a1) "0" pozīcijā un izņemiet daļu sastāvdaļu. Dažas minūtes ierīci nedarbiniet. Pēc tam jūs varat izvēlēties vēlamo ātrumu, lai pabeigtu gatavošanu.

Ierīce joprojām nedarbojas? Vērsieties apstiprinātā pakalpojumu centrā (to saraksts pievienots).

IEPAKOJUMA MATERIĀLU UN IERĪCES UTILIZĀCIJA



Iepakojuma sastāvā ir tikai dabai nekaitīgi materiāli, kurus var izmest atkritumos saskaņā ar spēkā esošajiem atkritumu pārstrādes noteikumiem.

Par ierīces utilizācijas iespējām interesējieties savas pilsētas attiecīgajā dienestā.

ELEKTRISKO UN ELEKTRONISKO PRODUKTU UTILIZĀCIJA



Veicināsim apkārtējās vides aizsardzību!



Ierīce sastāv no tādiem daudziem materiāliem, kurus var atkārtoti izmantot vai pārstrādāt.



Nogādājiet ierīci atkritumu pārstrādes uzņēmumā vai apstiprinātā apkalpošanas centrā.

LV

PIEDERUMI

Ja vēlaties papildināt savu ierīci, jūsu rīcībā ir pilnvarotie pārstāvji un apstiprinātie pakalpojuma centri, kur varat iegādāties šādus piederumus:

<p>Nerūsējošā tērauda trauks Nerūsējošā tērauda trauka vāks Mīcītājs Maisītājs Daudzزارu slotiņa Blendera trauks Sulu spiede Dzirnaviņas Piederumu turētājs</p>	<p>Gaļasmašīnas uzgalis Dārzenu griezējs: - A: griešanai šķēlēs - C: rupjai rīvēšanai - D: smalkai rīvēšanai - E: saberšanai Komplekts makaroniem Piederums Coulis mērcei Piederums makaronu rullēšanai</p>
---	---

Uzmanību: lai varētu iegādāties kādu no šiem piederumiem, ir jāuzrāda lietošanas instrukcija vai jūsu ierīce.

RECEPTES

PUTUKRĒJUMS

Sastāvdaļas (6/8 personām): 250 ml ļoti auksta saldā krējuma, 50 g pūdercukura.

Nerūsējošā tērauda bļodā, kurai uzstādīts mīklas mīcītājs un vāks, ieliek saldo krējumu un pievieno

pūdercukuru. Ierīci darbina divas minūtes 4. ātrumā, pēc tam trīsarpus minūtes maksimālajā ātrumā.

MAJONĒZE

Sastāvdaļas: 1 olas dzeltenums, 1 ēdamkarote maigu sinepju, 1 tējkarote etiķa, 250 ml olīveļļas vai saulespuķu eļļas, sāls un pipari.

Nerūsējošā tērauda bļodā, kurai uzstādīts putotājs un vāks, ieliek olas dzeltenumu un pievieno sinepes, etiķi, sāli un piparus. Izvēlas 1. ātrumu. Iedarbina putotāju un pamazām sāk pievienot eļļu. Pēc 10 sekundēm palielina putošanas ātrumu līdz maksimālajam. Pēc eļļas iestrādāšanas masā turpina putot vēl 30 sekundes.

Padoms. Pievieno sasmalcināta ķiploka daiviņu, ja tas iederas attiecīgajā receptē. Lai sasniegtu vislabākos rezultātus, visām sastāvdaļām jābūt istabas temperatūrā.

BALTMAIZE

Sastāvdaļas (vienam apaļam klaipam, 800 g): 500 g baltmaizes miltu, 300 ml remdena ūdens, 10 g sausā cepamā rauga, 10 g sāls.*

Nerūsējošā tērauda bļodā ieber miltus, sāli un sauso raugu. Uzstāda mīklas mīcītāju un vāku un dažas sekundes darbina 1. ātrumā. Caur vāka atveri pievieno remdenu ūdeni. Mīca astoņas minūtes. Atstāj mīklu aptuveni pusstundu istabas temperatūrā. Pēc tam ar rokām no mīklas izveido lodes formu. Lodes formas mīklu novieto uz cepamās plāts, kas ieziesta ar sviestu un pārkaisīta ar miltiem. Ļauj mīklai atkal uzcelties, atstājot to aptuveni pusstundu istabas temperatūrā.

Uzkarsē krāsni līdz 240 °C. Izdara iegriezumus klaipa augšdaļā, izmantojot asu nazi, un aplaka ar remdenu ūdeni. Krāsni ieliek nelielu ar ūdeni piepildītu trauku — tādējādi maizei veidosies zeltaina garoza. Cep 40 minūtes 240 °C temperatūrā.

Padoms. Cepamais raugs nedrīkst nonākt saskarē ar cukuru vai sāli, jo tas kavēs rūgšanu.

LV

SMILŠU MĪKLA

Sastāvdaļas (pirāga pamatnei, 350 g): 200 g parasto miltu, 100 g sviesta, 50 ml ūdens, šķipsna sāls.

Nerūsējošā tērauda bļodā ieber miltus un pievieno sviestu un sāli. Uzstāda mīklas mīcītāju un vāku un dažas sekundes darbina 1. ātrumā. Kamēr ierīce darbojas, pievieno remdenu ūdeni. Ļauj ierīcei darboties, kamēr mīkla saveļas lodes formā. Pārklāj mīklu ar pārtikas plēvi un atstāj to vismaz stundu vēsā vietā. Pēc tam to var izveltnēt un cept.

BRIOŠA MAIZE

Sastāvdaļas (6 personām): 250 g baltmaizes miltu, 5 g sāls, 25 g cukura, 100 g sviesta, 2 veselas olas un 1 olas dzeltenums, 3 ēdamkarotes remdena piena, 2 ēdamkarotes ūdens, 1 paciņa sausā cepamā rauga.

Nerūsējošā tērauda bļodā ieber miltus un izveido divas iedobes. Vienā no iedobēm ieber sāli un cukuru, bet otrajā — raugu, kā arī pievieno remdenu pienu un ūdeni. Raugu nedrīkst pievienot kopā ar sāli, jo, nonākot ar to saskarē, raugs nerūgst. Pievieno olas un uzstāda mīklas mīcītāju un vāku. Mīca 15 sekundes 1. ātrumā, pēc tam — 45 sekundes 2. ātrumā. Neapturot ierīci, vienas minūtes laikā mīklā iestrādā sviestu, kam nevajadzētu būt pārāk mīkstam (atstāj istabas temperatūrā pusstundu pirms izmantošanas). Turpina mīcīt piecas minūtes 2. ātrumā, pēc tam — piecas minūtes 3. ātrumā. Mīklu aplāj un ļauj tai uzcelties divas stundas istabas temperatūrā; pēc tam mīklu enerģiski apstrādā ar rokām, to strauji sviežot bļodā. Mīklu aplāj ar pārtikas plēvi un ļauj tai uzcelties, atstājot ledusskapī vēl uz divām stundām; pēc tam mīklu vēlreiz enerģiski apstrādā ar rokām, to strauji sviežot bļodā. Pēc tam aplāj ar pārtikas plēvi un ļauj tai uzcelties, atstājot uz nakti ledusskapī. Nākamajā dienā brioša maizes cepamo formu ieziež ar sviestu un pārkaisa to ar miltiem. No mīklas izveido lodes formu. Ieliek mīklu cepamajā formā un atstāj siltā vietā, līdz mīkla ir uzcelusies un piepildījusi formu (divas līdz trīs stundas), ieliek krāsni, kas uzkaršeta līdz 180 °C, un cep 25 minūtes.

Padoms. Brioša maizi var pasniegt pārkaisītu ar šokolādes skaidiņām vai kopā ar iecukurotiem augļiem.

SĀLAIS KĒKSS

Sastāvdaļas (6 personām): 200 g parasto miltu, 4 olas, 11 g cepamā pulvera, 100 ml piena, 50 ml olīveļļas, 12 saulē kaltēti tomāti, 200 g fetas siera, 15 zaļās olīvas bez kauliņiem, šķipsna karija pulvera (pēc izvēles), sāls un pipari.

Uzkarsē krāsni līdz 180 °C. Kēksa cepamo formu ieziež ar sviestu un pievieno miltus. Nerūsējošā tērauda bļodā, kurai uzstādīts mikseris un vāks, sajauc kopā miltus, olas un cepamo pulveri (vispirms jauc 1. ātrumā, pēc tam jaukšanu paātrina līdz 3. ātrumam). Pievieno olīveļļu un pienu un turpina jaukt vienarpus minūti. Palēnina jaukšanu līdz 1. ātrumam un pievieno sagrieztus kaltētos tomātus, kubiciņos sagrieztu fetas sieru, sagrieztas zaļās olīvas un karija pulveri. Pievieno garšvielas. Ielej masu cepamajā formā un liek krāsni uz 30 līdz 40 minūtēm (atkarībā no krāsns). Maizes gatavību pārbauda, iedurot tajā nazi.

Padoms. Fetas sieru var aizstāt ar mocarellas sieru, kam pievieno dažas sasmalcinātas bazilika lapas.

KAUSĒTAS ŠOKOLĀDES KŪKA

Sastāvdaļas (8 personām): 200 g kvalitatīvas parastās šokolādes, 150 g smalkā cukura, 125 g parasto miltu, 125 g atļaidināta sviesta, 4 olas, 200 ml saldā krējuma (putukrējums), 100 g maltu mandeļu (pēc izvēles), 1 paciņa vaniļas cukura (pēc izvēles), 11 g cepamā pulvera, 1 šķipsna sāls.

Uzkarsē krāsni līdz 180 °C. Ūdens peldē vai mikroviļņu krāsni izkausē gabaliņos sagrieztu šokolādi, kam pievieno 3 ēdamkarotes ūdens. Maisot pakāpeniski pievieno sviestu — katru reizi pa mazam gabaliņam —, lai panāktu viendabīgu šokolādes masu. Ļauj atdzist. Atdala olu dzeltenumus no baltumiem. Olu baltumus uz brīdi noliek malā. Nerūsējošā tērauda bļodā, kurai uzstādīts mikseris un vāks, ieliek olu dzeltenumus, kausēto šokolādi, krējumu, cukuru, vaniļas cukuru, maltas mandeles un atlikušo sviestu.

LV

Darbina mikseri 20 sekundes 1. ātrumā. Paātrina līdz 2. ātrumam un caur vāka atveri iestrādā miltus, kas sajaukti ar raugu. Ļauj ierīcei darboties aptuveni divas minūtes, līdz ir iegūta viendabīga mīkla. Mīklu ieliek lielā bļodā un uz brīdi noliek malā. Iztīrītai nerūsējošā tērauda bļodai uzstāda putotāju un bļodā ieliek olu dzeltenumus un šķipsnu sāls. Olu baltumus puto 5. ātrumā 1 minūti un 45 sekundes, pēc tam puto maksimālajā ātrumā 30 sekundes. Šokolādes masā lēnām iecilā sakultos olu baltumus, izmantojot lāpstiņu. Masu ielej kūkas cepamajā formā, kas ieziesta ar sviestu un pārkaisīta ar miltiem. Cep krāsni 25 minūtes 180 °C temperatūrā.

Padoms. Šo kūku ieteicams pasniegt ar vaniļas mērci (skatīt peldošo salu recepti) vai vaniļas saldējuma bumbiņām.

Vairāk recepšu pieejamas www.tefal.com

Dėkojame, kad pasirinkote šį prietaisą, skirtą išimtinai maisto produktams ruošti, naudoti buityje, patalpų viduje.

VARIKLIO SKYRIUS

<p>a - Variklio skyrius</p> <p>a1 Elektroninis greičio reguliatorius</p> <p>a2 Daugiafunkcės galvutės atfiksavimo mygtukas (a3)</p> <p>a3 Daugiafunkcė galvutė</p> <p>a4 Spartusis išvadas (maišytuvo indas / centrifuga / smulkintuvas)</p> <p>a5 Saugos liukas</p> <p>a6 Maišymo priedų išvadas (minkytuvas, kelių vijų plaktuvas, maišytuvas)</p> <p>a7 Skyrius laidui</p> <p>b - Surinktas indas</p> <p>b1 Nerūdijančio plieno indas</p> <p>b2 Dangtis</p> <p>c - Maišymo priedai</p> <p>c1 Minkytuvas</p> <p>c2 Maišytuvas</p> <p>c3 Kelių vijų plaktuvas</p> <p>d - Maišytuvo indas (priklausomai nuo modelio)</p> <p>d1 Indas</p> <p>d2 Dangtis</p> <p>d3 Dozatoriaus kamštis</p> <p>e - Priedo laikiklis (priklausomai nuo modelio)</p>	<p>f - Smulkintuvo galvutė (priklausomai nuo modelio)</p> <p>f1 Metalinis korpusas</p> <p>f2 Varžtas</p> <p>f3 Peilis</p> <p>f4 Grotelės su stambiomis skylėmis</p> <p>f5 Grotelės su smulkiomis skylėmis</p> <p>f6 Veržlė</p> <p>f7 Stūmiklis</p> <p>f8 Padėklas</p> <p>g - Daržovių pjaustyklė (priklausomai nuo modelio)</p> <p>g1 Būgno dėtuvė</p> <p>g2 Stūmiklis</p> <p>g3 Būgnas A pjaustymui skiltelėmis</p> <p>g4 Būgnas C stambiam tarkavimui</p> <p>g5 Būgnas D smulkiam tarkavimui</p> <p>g6 Būgnas E tarkuotiems blynams</p> <p>h - Centrifuga (priklausomai nuo modelio)</p> <p>h1 Stūmiklis</p> <p>h2 Dangtis</p> <p>h3 Sukamasis filtras</p> <p>h4 Rezervuaro korpusas</p> <p>h5 snapelis</p> <p>h6 fiksavimo svirtis</p>
--	--

LT

SAUGUMO INSTRUKCIJOS

- Prieš naudodami aparatą pirmą kartą, atidžiai perskaitykite naudojimo instrukciją ir išsaugokite ją bei atminkite, kad jei nesilaikysite naudojimo instrukcijos, gamintojas atleidžiamas nuo bet kokios atsakomybės.
- Asmenys (taip pat ir vaikai), kurių fizinės, jutiminės arba protinės galimybės ribotos bei nepatyrę ar nesąmoningi asmenys negali naudotis šiuo aparatu, jei jų neprižiūri asmuo, atsakingas už šių asmenų saugumą, priežiūrą ar jie iš anksto nėra gavę instrukcijų dėl prietaiso naudojimo. **Vaikus reikia prižiūrėti, kad jie nežaistų su aparatu.**
- Patikrinkite, ar aparato maitinimo įtampa atitinka jūsų elektros tinklo įtampą. Prijungus prie netinkamo tinklo garantija nebegalioja.
- Šis aparatas yra skirtas tik buitiniams ir kulinariams tikslams patalpų viduje mažiau kaip 2 000 m aukštyje bei užtikrinus priežiūrą.
- Prieš naudodami aparatą pirmą kartą, nuvalykite paviršių, su kuriuo liesis maisto produktai. Žr. šios instrukcijos skyrių „Paruošimas naudoti“ ir po kiekvieno naudojimo žr. skyrių „Valymas“. Norėdami išvalyti prietaisą ir atlikti jo techninę priežiūrą žr. skyrių „Valymas“.

- Visada atjunkite aparatą nuo elektros tinklo, jei jis paliekamas be priežiūros ir prieš montuojant (išmontuojant) arba valant.
- Jei aparatas veikia netinkamai arba buvo sugadintas, jo nebenaudokite. Tokiu atveju kreipkitės į patvirtintas dirbtuves (žr. sąrašą aptarnavimo knygelėje).
- Bet kokie aptarnavimo darbai, išskyrus valymą ir įprastus priežiūros darbus, kuriuos atlieka klientas, turi būti atlikti patvirtintose remonto dirbtuvėse (žr. sąrašą aptarnavimo knygelėje).
- Nenardinkite aparato, maitinimo laido arba kištuko į vandenį ar bet kokį kitą skystį.
- Nepalikite kabančio maitinimo laido vaikams prieinamoje vietoje, šalia arba ant įkaitusių aparato dalių, prie šilumos šaltinių arba ant aštrių kampų.
- Jei maitinimo laidas arba kištukas yra pažeisti, aparato nebenaudokite. Siekiant išvengti pavojaus, būtina juos pakeisti patvirtintose dirbtuvėse (žr. sąrašą aptarnavimo knygelėje).
- Nekaitinkite priedų mikrobangų krosnelėje.
- Savo pačių saugumui naudokite tik šiam aparatui pritaikytus patvirtintose dirbtuvėse įsigytus priedus ir atsargines dalis.
- Netinkamai naudojant prietaisą atsiranda pavojus susižeisti.
- Peiliai (d, f, g) yra labai aštrūs, todėl ištuštindami indą, uždėdami ant priedo peilius arba juos nuimdami ir valydami būkite atsargūs, kad nesusižeistumėte.
- Visada išimkite maišytuvo indą (d) arba centrifugą (h) prieš nuspausdami daugiafunkcės galvutės (a3) atfiksavimo mygtuką (a2).
- Su smulkintuvo galvutės priedu (f) visada naudokite stūmiklį (f7) maisto produktams stumti kamine, niekada to nedarykite pirštais, šakute, šaukštu, peiliu ar bet koku kitu daiktu.
- Niekada nelieskite judančių dalių ir palaukite, kol aparatas visiškai sustos prieš išimdami priedus.
- Niekada nelieskite nei plaktuvų, nei minkytuvų (c) aparatui veikiant.
- Saugokitės, kad ilgi plaukai, šalikas, kaklaraištis ir pan. nekybotų virš veikiančio aparato.
- Niekada nekiškite stalo įrankių (šaukšto, mentelės...) į dangčių (b2), (d2) arba (h2) kaminą bei į būgno dėtuve (g1).
- Nejunkite maišytuvo indo (d1) be dangčio (d2).
- Vienu metu naudokite tik vieną priedą.
- Niekada nepilkite į maišytuvo indą verdančio skysčio.
- Nenaudokite tuščio maišytuvo indo.
- Visada naudokite maišytuvo indą uždengę jį dangčiu.
- Niekada nenuimkite dangčio, kol aparatas visiškai nesustos.
- Visada į maišytuvo indą iš pradžių supilkite skystas sudedamąsias dalis, paskui – kietas.
- Nenaudokite aparato talpų (b1, d1) vietoje indų (sušaldymui, kepimui, sterilizavimui ir pan.).
- Nenaudokite centrifugos priedo, jei sukamasis filtras (h3) arba apsauginis dangtelis (h2) yra sugadintas arba ant jo paviršiaus yra įtrūkimų.
- Prieš keisdami priedus arba liesdami veikimo metu judančias dalis, išjunkite

- aparata ir atjunkite maitinimą.
- Pildami karštą skystį į maisto ruošimo kombainą arba maišytuvą būkite atsargūs, kad staiga užviręs jis neišsiliėtų iš aparato.
- Šis aparatas nėra skirtas naudoti pagal buitinę ir panašią paskirtį (kurioms netaikomas garantija) toliau nurodytais atvejais:
 - parduotuvių, biurų ir kitų darbo vietų darbo zonose;
 - ūkiuose;
 - viešbučių, motelių ir kitų gyvenamosios paskirties patalpų klientams;
 - svečių namų tipo aplinkose.
- **Norėdami sumontuoti arba išmontuoti apardo priedus, žr. įvairius paveikslus ir dalis, išdėstytas skyriuose „Priedų montavimas“ ir „Priedų išmontavimas“.**
- **Norėdami nustatyti kiekvieno priedo greitį ir veikimo laiką, žr. naudojimo instrukciją.**
- Vaikams šį aparatą naudoti draudžiama. Aparatą ir jo laidą laikykite vaikams nepasiekiamoje vietoje.
- Vaikams draudžiama žaisti su prietaisu.
- Šį aparatą gali naudoti sumažėjusių fizinių, sensorinių ar protinių gebėjimų žmonės arba žmonės, kurių patirtis ar žinios nėra pakankamos, su sąlyga, kad jie yra prižiūrimi kito asmens arba yra instruktuoti, kaip saugiai naudotis aparatu ir puikiai supranta galimus pavojus.
- Plaktuvą (c3) ir būgnus, skirtus smulkiai ir stambiai tarkuoti (g5 ir g4), gali naudoti 8 metų ir vyresnio amžiaus vaikai, su sąlyga, kad jie yra prižiūrimi kito asmens arba yra instruktuoti, kaip saugiai naudotis aparatu ir puikiai supranta galimus pavojus. Vaikams, kuriems yra mažiau nei 8 metai ir kurie nėra prižiūrimi suaugusiojo, draudžiama valyti prietaisą ir atlikti jo techninę priežiūrą. Laikykite prietaisą ir jo laidą atokiau nuo vaikų iki 8 metų amžiaus.

LT

PARUOŠIMAS NAUDOTI

- Prieš naudodami pirmą kartą išplaukite visus priedus muilinu vandeniu (išskirus adapterį (e): žr. § „Valymas“). Nuskalaukite ir išdžiovinkite.
- Pastatykite aparatą ant lygaus, švaraus ir sauso paviršiaus, įsitikinkite, kad regulatoriaus mygtukas (a1) yra padėtyje „0“, tada įjunkite aparatą.
- Įjungti galite keliais būdais:
 - **Nereguliari eiga (impulsas):** pasukite regulatoriaus mygtuką (a1) į padėtį „pulse“ (impulsas) keliais impulsais iš eilės, kad ruošiami patiekalai būtų geriau kontroliuojami.
 - **Nuolatinė eiga:** pasukite regulatoriaus mygtuką (a1) į pageidaujamą padėtį nuo „1“ iki „maks.“ priklausomai nuo ruošiamų patiekalų.

Padėtį galite keisti ruošimo metu.

- Norėdami išjungti aparatą vėl nustatykite mygtuką (a1) į padėtį „0“.

Svarbu: aparatą įjungti galima tik jei liukas (a5) ir galvutė (a3) yra užfiksuoti. Jei atfiksuosite liuką (a5) ir (arba) galvutę (a3) veikimo metu, aparatas iš karto išsijungs. Vėl užfiksuokite liuką ir (arba) galvutę, nustatykite valdymo mygtuką (a1) į padėtį „0“, po to įjunkite aparatą įprastu būdu, pasirinkdami pageidaujamą greitį.

Šiame virtuvės aparate įmontuotas mikroprocesorius, kuris kontroliuoja ir analizuoja galingumą veikimo metu. **Per didelės apkrovos atveju aparatas išsijungs pats.** Norėdami vėl įjungti aparatą, nustatykite sukamąjį mygtuką (a1) ties padėtimi „0“ ir ištraukite dalį produktų. Išjungę aparatą palaukite kelias minutes. Tada galite pasirinkti pageidaujamą greitį, kad baigtumėte ruošti produktus.

Paragrafų numeracija atitinka rėmeliuose pateiktų schemų numeraciją.

1 - MAIŠYMAS / MINKYMAS / PLAKIMAS / EMULSIJOS RUOŠIMAS / PLAKIMAS

Priklausomai nuo maisto produktų pobūdžio naudodami nerūdijančio plieno indą (b1) ir jo dangtį (b2) galite paruošti iki 1,8 kg tešlos.

NAUDOJAMI PRIEDAI:

- Nerūdijančio plieno indas (b1).
- Dangtis (b2)
- Minkytuvas (c1), maišytuvas (c2) arba kelių vijų plaktuvas (c3).

1.1 - PRIEDU MONTAVIMAS

- Nuspauskite mygtuką (a2), kad atfiksotumėte daugiafunkcę galvutę (a3), ir pakelkite jį iki atramos.
 - Užfiksokite nerūdijančio plieno indą (b1) (pagal laikrodžio rodyklę) ant aparato ir sudėkite produktus.
 - Įstatykite pageidaujamą priedą (c1, c2 arba c3) į išvadą (a6), įspauskite ir pasukite ketvirtį rato prieš laikrodžio rodyklę, kad užfiksotumėte priedą angoje.
 - Nustatykite daugiafunkcę galvutę (a3) horizontalioje padėtyje: paspauskite mygtuką (a2) ir nuleiskite rankiniu būdu daugiafunkcę galvutę (a3), kol ji užfiksuos (mygtukas (a2) grįžta į pradinę padėtį).
 - Įstumkite dangtį (b2) ant nerūdijančio plieno indo (b1).
- Pastaba:** dangčio naudoti nebūtina. Jis apsaugo nuo taškymosi arba išsviedimo pavojaus.
- Įsitinkinkite, kad liukas (a5) yra gerai užfiksotas (pagal laikrodžio rodyklę) ant sparčiojo išvado (a4).

1.2 - ĮJUNGIMAS

Įjunkite pasukdami regulatoriaus mygtuką (a1) ties pageidaujama padėtimi pagal receptą.

- Aparatas iš karto pradeda veikti.
- Ruošimo metu galite dėti produktus pro dangtyje (b2) esančią angą.
- Norėdami išjungti aparatą vėl nustatykite mygtuką (a1) į padėtį „0“.

Patarimai:

- **Minkymas**
- Naudokite minkymo priedą (c1) „**1“ greičiu.**
Galite minkyti iki 500 g miltų (pvz.: balta duona, duona su grūdais, sluoksniuota tešla, trupininė tešla ir pan.).
- **Maišymas**
- Naudokite maišytuvą (c2) **greičiu nuo „1“ iki „max“.**
Galite maišyti iki 1,8 kg lengvos tešlos (biskvitams, sausainiams ir pan.).
- **Niekada nenaudokite maišytuvo (c2) sunkiai tešlai minkyti.**
- **Suplakimas / emulsijos ruošimas / plakimas**
- Naudokite kelių vijų plaktuvą (c3) **greičiu nuo „1“ iki „max“.**
- Galite ruošti: majonezą, česnakų padažą, padažus, plakti kiaušinių baltymus (iki 8 baltymų), grietinėlę (iki 500 ml) ir pan.
- **Niekada nenaudokite kelių vijų plaktuvo (c3) sunkiai tešlai minkyti arba lengvai tešlai maišyti.**

1.3 - PRIEDU ISMONTAVIMAS

- **Palaukite, kol aparatas visiškai sustos.**
- Nuimkite dangtį (b2).
- Mygtuku (a2) atfiksokite daugiafunkcę galvutę (a3) ir pakelkite ją į viršutinę padėtį.
- Išblokuokite daugiafunkcės galvutės priedą (c1), (c2) arba (c3) stumdami jį link galvutės ir pasukdami ketvirtį rato laikrodžio rodyklių kryptimi.
- Nuimkite nerūdijančio plieno indą.

2 - SUMAIŠYMAS / MAIŠYMAS / MAIŠYTUVAS (PRIKLAUSOMAI NUO MODELIO)

Priklausomai nuo produktų pobūdžio maišytuvo indu (d) galima paruošti iki 1,5 l tirštų mišinių ir 1,25 skystų mišinių.

NAUDOJAMI PRIEDAI:

– Maišytuvo indas (d).

2.1 - PRIEDU MONTAVIMAS

- Nustatykite daugiafunkcę galvutę (a3) horizontalioje padėtyje: paspauskite mygtuką (a2) ir nuleiskite rankiniu būdu daugiafunkcę galvutę (a3), kol ji užsifiksuos (mygtukas (a2) grįžta į pradinę padėtį).
- Išblokuokite sparčiojo išvado (a4) apsauginį liuką (a5) pasukdami jį prieš laikrodžio rodyklę, po to jį nuimkite.
- Prieš užblokuodami maišytuvo indą (d) įsitikinkite, kad aparatas išjungtas.
- Užfiksuokite maišytuvo indą (d) ant išvado (a4) pasukdami laikrodžio rodyklės kryptimi.
- Sudėkite produktus į maišytuvo indą ir užfiksuokite pateiktą dozatoriaus kamščio (d3) dangtį (d2), pasukdami jį prieš laikrodžio rodyklę.

2.2 - ĮJUNGIMAS

- Įjunkite pasukdami regulatoriaus mygtuką (a1) ties pageidaujama padėtimi pagal receptą. Norėdami geriau kontroliuoti mišinį ir sumaišyti jį tolygiau naudokite padėtį „Impulsas“. Ruošimo metu galite dėti produktus pro dozatoriaus kamštyje (d3) esančią angą.
- Norėdami išjungti aparatą vėl nustatykite mygtuką (a1) į padėtį „0“.

Patarimai:

Galite ruošti:

- kruopščiai sumaišytas daržovių sriubas, trintas sriubas, kompotus, pieno kokteilius, kokteilius.
- lengvos tešlos produktus (blynus, plikytos tešlos pyragaičius, vaisių pyragą ir pan.)
- Jei maišymo metu ingredientai lieka prilipę prie indo dugno išjunkite aparatą, nuimkite indą, nustumkite ingredientus ant peilių, po to vėl uždėkite maišytuvo indą ir tęskite ruošti produktus.

LT

2.3 - PRIEDO NUEMIMAS

- Palaukite, kol aparatas visiškai sustos, tik tada nuimkite maišytuvo indą, išblokuodami jį prieš laikrodžio rodyklę, ir vėl uždėkite liuką (a5), užfiksuodami jį ant išvado (a4) (pagal laikrodžio rodyklę).

3 - SMULKINIMAS (PRIKLAUSOMAI NUO MODELIO)

NAUDOJAMI PRIEDAI:

- Priedo laikiklis (e)
- Uždėta smulkintuvo galvutė (f)

3.1 - SMULKINTUVO ADAPTERIO UZDEJIMAS

- Nuspauskite mygtuką (a2), kad atfiksuotumėte daugiafunkcę galvutę (a3), ir pakelkite jį iki atramos.
- Uždėkite adapterį (e) ir užfiksuokite jį sukdami prieš laikrodžio rodyklę taip, kad išvadas būtų aparato ilgintuve.
- Nustatykite daugiafunkcę galvutę (a3) į horizontalią padėtį dar kartą paspausdami mygtuką (a2).

3.2 - SMULKINTUVO GALVUTES SURINKIMAS

- Suimkite korpusą (f1) už kamino, platesnė anga turi būti nukreipta į viršų.
- Įkiškite varžtą (f2) (iš pradžių kišdami ilgąją ašį) į korpusą (f1).
- Užmaukite peilį (f3) ant trumposios ašies, kuri išsikiša iš varžto (f2), nukreipdami pjaunančias briaunas į išorę.

- Uždėkite pasirinktas groteles (f4 arba f5) ant peilio (f3) sutapdindami abi iškyšas su įdubomis korpuse (f1).
- Tvirtai prisukite veržlę (f6) ant korpuso (f1) laikrodžio rodyklės kryptimi jos neužblokuodami.
- Patikrinkite sumontavimą. Ašis neturi būti nei per laisva, nei suktis pati. Priešingu atveju vėl atlikite anksčiau nurodytus veiksmus.

3.3 - SMULKINTUVO GALVUTĖS UŽDĖJIMAS ANT APARATO

- Pridėkite surinktą smulkintuvo galvą (f), palenkę į dešinę, nukreipę į adapterio išėjimą (e), sutapdinkite dvi smulkintuvo galvutės iškyšas su abiem adapterio įdubomis. Įstumkite smulkintuvo galvutę iki galo adapteryje, po to atstatykite smulkintuvo galvutės kaminą į vertikalią padėtį, kol jis užsifiksuos, pasukdami prieš laikrodžio rodyklę.
- Uždėkite nuimamą padėklą (f8) ant kamino.

3.4 - ĮJUNGIMAS, PATARIMAI IR ISMONTAVIMAS

- Įsitinkite, kad apsauginis liukas (a5) yra gerai užfiksuotas (pagal laikrodžio rodyklę) ant sparčiojo išvado (a4).
- Pastatykite prieš aparatą indą paruoštai masei.
- Įjunkite pasukdami reguliatorių (a1) ties „3“ arba „4“ greičiu.
- Įdėkite mėsą į kaminą po gabalėlį, stumdami stūmikliu (f7). **Niekada nestumkite ingrediento kamine pirštais arba stalo įrankiais.**
- Norėdami išjungti aparatą pasukite reguliatorių ties greičiu „0“ ir palaukite, kol aparatas visiškai sustos.
- Atfiksukite smulkintuvo galvutę, atlikdami montavimo veiksmus priešinga eilės tvarka.

Patarimai:

- Paruoškite visą smulkinamų produktų kiekį (jei smulkinate mėsą, pašalinkite kaulus, kremzles ir nervus, supjaustykite ją maždaug 2 x 2 cm gabalėliais).
- Patikrinkite, ar mėsa gerai atšildyta.
- Darbo pabaigoje galite aparatu susmulkinti kelis gabalėlius duonos, kad pasišalintų visas faršas.

LT

4 - TARKAVIMAS / PJAUSTYMAS SKILTELĖMIS (PRIKLAUSOMAI NUO MODELIO)

NAUDOJAMI PRIEDAI:

- Priedo laikiklis (e)
- Surinkta daržovių pjaustyklė (g)
- Būgnai (priklausomai nuo modelio)

4.1 - PRIEDŲ MONTAVIMAS

- Nuspauskite mygtuką (a2), kad atfiksotuotumėte daugiafunkcę galvutę (a3), ir pakelkite jį iki atramos.
- Uždėkite adapterį (e) ir užfiksukite jį sukdamis prieš laikrodžio rodyklę taip, kad išvadas būtų aparato ilginu.
- Nustatykite daugiafunkcę galvutę (a3) į horizontalią padėtį dar kartą paspausdami mygtuką (a2).
- Įsitinkite, kad apsauginis liukas (a5) yra gerai užfiksuotas (pagal laikrodžio rodyklę) ant sparčiojo išvado (a4).
- Pridėkite būgno dėtuvę (g1), palenkę į dešinę, nukreipę į adapterio išėjimą (e), sutapdinkite dvi būgno dėtuvės iškyšas su abiem adapterio įdubomis. Įstumkite iki galo ir atstatykite dėtuvės kaminą į vertikalią padėtį, kol jis užsiblokuos, pasukdami prieš laikrodžio rodyklę.
- Įdėkite į dėtuvę pasirinktą būgną ir įsitinkite, ar jis iki galo tilpo dėtuvėje.

4.2 - ĮJUNGIMAS IR PATARIMAI

- Pastatykite prieš aparatą indą paruoštai masei.
- Įjunkite pasukdami reguliatorių (a1) ties „3“ greičiu, jei norite pjaustyti riekėmis, ir ties „4“ greičiu, jei norite tarkuoti.

- Sudėkite produktus į dėtuvės kaminą ir stumkite juos stūmikliu (g2). **Niekada nestumkite ingrediento pirštais arba stalo įrankiais.**
- Norėdami išjungti aparatą pasukite reguliatorių ties greičiu „0“ ir palaukite, kol aparatas **visiškai sustos.**
- Atfiksukite būgno dėtuvę, atlikdami montavimo veiksmus priešinga eilės tvarka.
- Naudodami būgnus galite paruošti:
 - Stambus tarkavimas C (g4) / smulkus tarkavimas D (g5): morkos, salierai, bulvės, sūris ir pan.
 - Pjaustymas storomis riekėmis A (g3): bulvės, morkos, agurkai, obuoliai, burokėliai ir pan.
 - Tarkuoti blynai E (g6): bulvės, parmezano sūris ir pan.

5 - VAISIŲ IR DARŽOVIŲ CENTRIFUGAVIMAS (PRIKLAUSOMAI NUO MODELIO)

NAUDOJAMI PRIEDAI:

- Surinkta centrifuga (h).

5.1 - CENTRIFUGOS SURINKIMAS

- Uždėkite filtrą (h3) rezervuaro korpuso centre (h4).
- Dangčio užfiksavimas: pasukite prieš laikrodžio rodyklę ir užfiksukite dangtį (h2) ant rezervuaro korpuso (h4) (užrakintos spynos padėtis).
- Viso aparato užblokavimas: pastumkite fiksavimo svirtį (h6) į užrakintos spynos padėtį.

5.2 - CENTRIFUGOS UZDEJIMAS ANT APARATO

- Nustatykite daugiafunkcę galvutę (a3) horizontalioje padėtyje: paspauskite mygtuką (a2) ir nuleiskite rankiniu būdu daugiafunkcę galvutę (a3), kol ji užsifiksuos (mygtukas (a2) grįžta į pradinę padėtį).
- Išblokuokite išvado (a4) liuką (a5) pasukdami jį prieš laikrodžio rodyklę.
- Prieš užblokuodami centrifugą (h) įsitikinkite, kad aparatas išjungtas.
- Užfiksukite surinktą centrifugą ant išvado (a4), pasukdami laikrodžio rodyklės kryptimi taip, kad išėjimas į snapelį būtų sulgyjuotas su aparatu.
- Įstatykite snapelį (h5) į rezervuaro korpusą (h4).

LT

5.3 - ĮJUNGIMAS IR PATARIMAI

- Po snapeliu (h5) pastatykite didelę stiklinę.
- Įjunkite pasukdami reguliatorių (a1) ties „3“ greičiu.
- Supjaustykite vaisius ir (arba) daržoves gabalėliais.
- Sudėkite juos į dėtuvės kaminą (h2) ir lėtai stumkite juos stūmikliu (h1). **Niekada nestumkite pirštais arba stalo įrankiais.**
- Neapdorokite 500 g produktų daugiau kaip 5 kartus iš eilės, palaukite, kol aparatas iki galo atvės.
- Norėdami gauti geriausią išėigą, valykite filtrą kaskart apdoroję 300 g ingredientų.
- **Svarbu:** kai rezervuaro korpusas minkštimui prisipildo, išjunkite aparatą ir ištuštinkite rezervuarą.
- Norėdami išjungti aparatą pasukite reguliatorių ties greičiu „0“ ir palaukite, kol aparatas visiškai sustos.
- **Prieš išimdami mazgą iš aparato, palaukite, kol sukamasis filtras visiškai sustos.**
- Norėdami išimti centrifugą išblokuokite ją pasukdami prieš laikrodžio rodyklę.
- Pastumkite fiksavimo svirtį (h6) į atrakintos spynos padėtį. Atidarykite dangtį (atrakintos spynos padėtis). Dabar galite išimti filtrą (h3) ir jį išvalyti bei ištuštinti rezervuaro korpusą (h4).

Patarimai:

- Galite ruošti šias sultis: morkų, pomidorų, obuolių, vynuogių, aviečių ir pan.
- Nulupkite storą vaisių odą, išimkite kauliukus, išpjaukite centrinę ananaso dalį.
- Neįmanoma išspausti kai kurių vaisių ir daržovių sultis: bananų, avokadų, gervuogių ir pan.
- Galite ruošti skirtingų vaisių ir daržovių sultis ir kiekvieną kartą centrifugos valyti nereikia, skoniai nesimaišo, pakanka įpilti į centrifugą šiek tiek vandens ir ją išplauti įjungiant tarp skirtingų sulčių ruošimo.

- Sultis suvartokite iš karto po paruošimo arba įpilkite citrinos sulčių, jei sultys norite kelias valandas laikyti vėsioje vietoje.

6 - LAIDO ILGIO NUSTATYMAS

Tam, kad naudoti būtų patogiau, arba norint padėti aparatą saugoti, galite sutrumpinti laido ilgį sustumdami jį į variklio bloko vidų (a) pro kitoje pusėje esančią angą (a7).

7 - LABAI SMULKUS NEDIDELIŲ KIEKIŲ TARKAVIMAS (PRIKLAUSOMAI NUO MODELIO)

NAUDOJAMAS PRIEDAS:

- surinktas smulkintuvas.

Smulkintuvu galite:

– Per kelias sekundas susmulkinti impulsais: džiovintas figas, džiovintus abrikosus ir pan.

kiekis / maks. laikas: 100 g / 5 s

Šis smulkintuvas nėra skirtas tokiems kietiems produktams, kaip kava.

VALYMAS

- Išjunkite aparatą.
- Nenardinkite variklio bloko (a) nei adapterio (e) į vandenį arba po tekančiu vandeniu. Šluostykite juos sausu arba šiek tiek sudrėkintu skudurėliu.
- Kad valyti būtų lengviau, po naudojimo greitai nuskalaukite priedus. Visiškai išmontuokite smulkintuvo galvutės priedą. Visais peiliais naudokitės atsargiai, galite susižeisti.
- Išplaukite, nuskalaukite ir nušluostykite priedus: juos galima plauti indaplovėje, išskyrus metalines smulkintuvo galvutės dalis: korpusą (f1), varžtą (f2), peilį (f3), groteles (f4 et f5), veržlę (f6).
- Groteles (f4) ir (f5) bei peilis (f3) turi likti sutepti alyva. Panardinkite juos maistinėje alyvoje, kad apsaugotumėte.

LT

Patarimai:

- Jei maisto produktai (morkos, apelsinai ir pan.) nudažo priedus, nušluostykite juos skudurėliu, pamirkytu maistiniame aliejuje, po to išvalykite įprastu būdu.
- Maišytuvo indas (d): įpilkite į maišytuvo indą karšto vandens, į jį įlašinę kelis lašus skysto muilo. Uždarykite dangtį. Uždėkite jį ant aparato ir įjunkite, atlikdami kelis impulsus. Nuėmę indą praplaukite jį tekančiame vandenyje ir palikite džiūti (apvertę).

SUTVARKYMAS

Nelaikykite nenaudojamo aparato drėgnoje aplinkoje.

KAŲ DARYTI, JEI APARATAS NEVEIKIA?

Jei aparatas neveikia, patikrinkite:

- ar jis tinkamai prijungtas;
- ar kiekvienas priedas gerai užfiksuotas;
- ar yra ir gerai užfiksuotas apsauginis liukas (a5), kai spartusis išvadas (a4) nenaudojamas;
- ar daugiafunkcė galvutė užfiksuota horizontaliai (a3).

Šiame virtuvės aparate įmontuotas mikroprocesorius, kuris kontroliuoja ir analizuoja galingumą veikimo metu. Per didelės apkrovos atveju aparatas išsijungs pats. Norėdami vėl įjungti aparatą, nustatykite sukamąjį mygtuką (a1) ties padėtimi „0“ ir ištraukite dalį produktų. Išjungę aparatą palaukite kelias minutes. Tada galite pasirinkti pageidaujamą greitį, kad baigtumėte ruošti produktus.

Aparatas vistiek neveikia? Kreipkitės į patvirtintas dirbtuves (žr. sąrašą aptarnavimo knygelėje).

PAKUOTĖS MEDŽIAGŲ IR APARATO ŠALINIMAS



Pakuotę sudaro tik aplinkai nekenksmingos medžiagos, kurias galima išmesti pagal galiojančias perdirbimo nuostatas. Norėdami grąžinti aparatą perdirbti, kreipkitės į atitinkamą savo apylinkės tarnybą.

NEBETINKAMI NAUDOTI ELEKTRONINIAI ARBA ELEKTRINIAI PRIETAISAI



Mąstykite apie aplinką!

i Šiame aparate yra įvairių vertingų arba tinkamų perdirbti medžiagų.

➡ Pristatykite jas į surinkimo punktą perdirbti.

PRIEDAI

Galite pritaikyti aparatą savo poreikiams ir iš įprasto pardavėjo arba patvirtintų remonto dirbtuvių įsigyti šiuos priedus:

Nerūdijančio plieno indas Nerūdijančio plieno indo dangtis Minkytuvas Maišytuvas Kelių vijų plaktuvas Maišytuvo indas Centrifuga Smulkintuvas Priedo laikiklis	Smulkintuvo galvutė Daržovių pjaustyklė: – A : pjaustyti skiltelėmis – C : stambiai tarkuoti – D : smulkiai tarkuoti – E : tarkuoti blynus Rinkinys makaronams ruošti Coulis priedas Makaronų gaminimo malūnelis
--	--

LT

Dėmesio: jokie priedo nebus galima įsigyti nepateikus naudojimo instrukcijos arba aparato.

RECEPTAI

PLAKTA GRIETINĖLĖ

Sudedamosios dalys (6–8 asmenims): 25 ml labai šaltos skystos grietinės, 50 g cukraus pudros.

Įpilkite grietinę ir įberkite cukraus pudrą į nerūdijančio plieno indą, kurį galima pastatyti į minkymo prietaisą su dangčiu. Įjunkite prietaisą 4 greičio režimu dviems minutėms, tada įjunkite didžiausią greitį 3,5 minutėms.

MAJONEZAS

Sudedamosios dalys: 1 kiaušinio trynys, 1 šaukštas neaštrių garstyčių, 1 šaukštelis acto, 250 ml alyvuogių arba saulėgrąžų aliejaus, druska ir pipirai.

Įdėkite kiaušinio trynį ir garstyčias, įpilkite actą, įberkite druskos ir pipirų į nerūdijančio plieno indą, kurį galima pastatyti į daugiamentį plaktuvą su dangčiu. Pasirinkite 1 greičio režimą. Paleiskite plaktuvą ir lėtai pilkite aliejų. Po 10 sekundžių padidinkite greitį iki didžiausio. Į mišinį įpylę aliejaus, įjunkite plaktuvą dar 30 sekundžių.

Patarimas Jeigu norite, galite įdėti tarkuotą česnako skiltelę. Siekiant geriausių rezultatų, visos sudedamosios dalys turi būti kambario temperatūros.

BALTA DUONA

Sudedamosios dalys (vienas apskritas kepalas, sveriantis 800 g): 500 g baltų duonos miltų, 300 ml drungno vandens, 10 g džiovintų kepimo mielių ir 10 g druskos.*

Įberkite miltus, druską ir sausas mieles į nerūdijančio plieno indą. Įdėkite gautą tešlą į minkymo mašiną, uždarykite dangčiu ir kelioms sekundėms įjunkite 1 greičio režimą. Įpilkite drungną vandenį pro dangtyje esančią angą. Minkykite aštuonias minutes. Palikite tešlą kambario temperatūroje maždaug pusę valandos. Tada rankomis padarykite iš tešlos kamuolį. Padėkite tešlos kamuolį ant sviestu pateptos ir miltais pabarstytos kepimo skardos. Leiskite tešlai antrą kartą pakilti kambario temperatūroje apie valandą. Įkaitinkite orkaitę iki 240 °C. Aštriu peiliu kelis kartus įpjaukite kepalą viršų ir pašlakstykite drungnu vandeniu. Orkaitėje pastatykite nedidelę talpą su vandeniu, kad kepalas pasidengtų auksine plutele. Kepkite 40 minučių 240 °C temperatūroje.

Patarimas. Neleiskite kepimo mielėms susiliesti su cukrumi arba druska, nes tada tešla nepasikels.

TRAPI TEŠLA

Sudedamosios dalys (vienas saldus pyragas, sveriantis 350 g): 200 g paprastų kvietinių miltų, 100 g sviesto, 50 ml vandens ir žiupsnelis druskos.

Įberkite miltus ir druską bei įdėkite sviestą į nerūdijančio plieno indą. Įdėkite gautą tešlą į minkymo prietaisą, uždarykite dangčiu ir kelioms sekundėms įjunkite 1 greičio režimą. Prietaisui veikiant įpilkite drungno vandens. Leiskite prietaisui veikti, kol iš tešlos susidarys kamuolys. Bent valandą prieš kočiodami tešlą ir pradėdami gaminti, palikite tešlą vėsioje vietoje, padengtą lipnia plėvele.

BRIJOŠĖ

Sudedamosios dalys (6 asmenims): 250 g baltos duonos miltų, 5 g druskos, 25 g cukraus, 100 g sviesto, 2 kiaušiniai ir 1 kiaušinio trynys, 3 šaukštai drungno pieno, 2 šaukštai vandens, 1 pakelis kepimo mielių.*

Į nerūdijančio plieno indą įberkite miltų ir suformuokite dvi duobutes. Į vieną duobutę įberkite druskos ir cukraus, o į antrą įmaišykite mielių bei įpilkite šilto pieno ir vandens. Neleiskite druskai ir mielėms susiliesti, nes mielės blogai reaguoja su druska. Įdėkite kiaušinius, paruoškite minkymo mašiną ir uždarykite ją dangčiu. Pasirinkite 1 greičio režimą ir minkykite 15 sekundžių, tada 2 greičio režimą ir minkykite dvi minutes 45 sekundes. Nestabdydami prietaiso per minutę įdėkite sviestą. Sviestas neturėtų būti labai minkštas (pusę valandos iki minkymo palikite jį kambario temperatūroje). Ir toliau minkykite penkias minutes esant 2 greičio režimui, tada dar penkias minutes įjungę 3 greičio režimą. Uždenkite tešlą ir palikite ją dvi valandas kambario temperatūroje, kad pakiltų. Tada stipriai minkykite tešlą rankomis, vis tekštelėdami ją į indą. Uždenkite tešlą ir palikite kilti dar dvi valandas šaldytuve. Vėl minkykite tešlą rankomis, tekštelėdami ją į indą. Tada uždenkite tešlą lipnia plėvele ir palikite pakilti per naktį šaldytuve. Kitą dieną sviestu sutepkite ir miltais pabarstykite brijošei kepti skirtą skardą. Iš tešlos suformuokite kamuolį. Įdėkite jį į skardą ir palikite kilti šiltoje vietoje, kol tešla užpildys skardą (dviritis valandas). Įdėkite skardą į orkaitę esant 180 °C ir kepkite 25 minutes.

Patarimas. Įdėkite šokolado gabaliukų arba cukatų.

PIKANTIŠKAS KEPALAS

Sudedamosios dalys (6 asmenims): 200 g paprastų kvietinių miltų, 4 kiaušiniai, 11 g kepimo miltelių, 100 ml pieno, 50 ml alyvuogių aliejaus, 12 saulėje džiovintų pomidorų, 200 g fetos sūrio, 15 žaliųjų alyvuogių be kauliukų, žiupsnelis kario prieskonių (nebūtina), druska ir pipirai.

Įkaitinkite orkaitę iki 180 °C. Ištepkite skardą sviestu ir pabarstykite miltais. Nerūdijančio plieno inde, kurį galima pastatyti į maišytuvą su dangčiu, sumaišykite miltus, kiaušinius ir kepimo miltelius. Maišyti pradėkite įjungę 1 greitį, tada didinkite iki 3 greičio. Įpilkite alyvuogių aliejaus ir pieno bei maišykite pusantros minutės. Sumažinkite greitį iki 1 ir įdėkite džiovintus pomidorus (supjaustytus gabaliukais), kubeliais supjaustytą fetos sūrį, žalias alyvuoges (supjaustytas gabaliukais) ir kario prieskonių. Įberkite druskos ir pipirų. Supilkite mišinį į skardą ir įdėkite ją į orkaitę 30–40 minučių, atsižvelgiant į tai, kokia naudojama orkaitė. Peiliu tikrinkite, ar kepalas iškepęs.

Patarimas. Vietoje fetos sūrio naudokite mocarelą ir įdėkite keletą kapotų baziliko lapų.

LYDYTO ŠOKOLADO PYRAGAS

Sudedamosios dalys Ingredientai (8 asmenims): 200 g aukštos kokybės juodojo šokolado, 150 g cukraus pudros, 125 g paprastų miltų, 125 g minkšto sviesto, 4 kiaušiniai, 200 ml skystos grietinėlės (plaktos grietinėlės), 100 g maltų migdolų (nebūtina), 1 pakelis vanilės cukraus (nebūtina), 11 g kepimo miltelių, žiupsnelis druskos.

Įkaitinkite orkaitę iki 180 °C. 3 šaukštuose vandens išlydykite šokoladą vandens vonelėje arba mikrobangų krosnelėje. Maišydami po truputį dėkite sviestą, kad šokoladas išsilydytų į vientisą masę. Leiskite mišiniui atvėsti. Atskirkite kiaušinių trynius nuo baltymų. Kiaušinių baltymus atidėkite į šalį. Įdėkite kiaušinių trynius, išlydytą šokoladą, grietinėlę, cukrų, vanilinį cukrų, maltus migdolos ir likusį sviestą į nerūdijančio plieno indą, kurį galima pastatyti į maišytuvą su dangčiu. Įjunkite maišytuvo 1 greitį ir maišykite 20 sekundžių. Padidinkite greitį iki 2 greičio režimo ir per dangčio angą įberkite miltus su mielėmis. Taip maišykite apie dvi minutes, kol tešla bus vientisa. Gautą tešlą įdėkite į didelį dubenį. Įdėkite kiaušinių baltymus su žiupsneliu druskos į išvalytą nerūdijančio plieno indą, kurį galima pastatyti į daugiamentį plaktuvą su dangčiu. 1 min. ir 45 sek. plakite kiaušinių baltymus įjungę 5 greičio režimą, tada 30 sek. plakite didžiausiu greičiu. Mentele atsargiai įpilkite suplaktus kiaušinių baltymus į šokolado masę. Visą mišinį supilkite į sviestu pateptą ir miltais pabarstytą skardą kepti. Kepkite orkaitėje 180 °C temperatūroje 25 minutes.

Patarimas. Šis pyragas bus dar skanesnis patiektas su "creme anglaise" (liet. angliškas kremas) (žr. plaukiojančių salų receptą) arba keliais vanilinių ledų kaušeliais.

Daugiau receptų idėjų rasite www.tefal.com

Dziękujemy za wybranie tego urządzenia, które przeznaczone jest wyłącznie do przygotowywania produktów spożywczych w warunkach domowych.

OPIS

<p>a - Silnik</p> <p>a1 Pokrętło do regulacji prędkości</p> <p>a2 Przycisk odblokowania głowicy wielofunkcyjnej (a3)</p> <p>a3 Głowica wielofunkcyjna</p> <p>a4 Napęd szatkownicy (pojemnik blendera / sokowirówka / rozdrabniacz)</p> <p>a5 Pokrywa zabezpieczająca</p> <p>a6 Napęd akcesoriów do mieszania (hak do wyrabiania ciasta, trzepaczka, mieszadło)</p> <p>a7 Schowek na kabel</p> <p>b - Pojemnik</p> <p>b1 Pojemnik ze stali nierdzewnej</p> <p>b2 Pokrywa</p> <p>c - Akcesoria do mieszania</p> <p>c1 Hak do wyrabiania ciasta</p> <p>c2 Mieszadło</p> <p>c3 Trzepaczka</p> <p>d - Pojemnik blendera (zależnie od modelu)</p> <p>d1 Pojemnik</p> <p>d2 Pokrywa</p> <p>d3 Korek-dozwonnik</p> <p>e - przełącznik mocująca (zależnie od modelu)</p>	<p>f - Końcówka do mielenia (zależnie od modelu)</p> <p>f1 Korpus metalowy</p> <p>f2 Ślimak</p> <p>f3 Nóż</p> <p>f4 Sitko z dużymi otworami</p> <p>f5 Sitko z małymi otworami</p> <p>f6 Nakrętka</p> <p>f7 Popychacz</p> <p>f8 Taca</p> <p>g - Szatkownica (zależnie od modelu)</p> <p>g1 Obudowa bębna</p> <p>g2 Popychacz</p> <p>g3 Bęben A do krojenia na plasterki</p> <p>g4 Bęben C do tarcia grubego</p> <p>g5 Bęben D do tarcia drobnego</p> <p>g6 Bęben E do ucierania</p> <p>h - Sokowirówka (zależnie od modelu)</p> <p>h1 Popychacz</p> <p>h2 Pokrywa</p> <p>h3 Filtr obrotowy</p> <p>h4 Korpus zbiornika</p> <p>h5 Wylewka</p> <p>h6 Dźwignia blokowania</p>
--	---

PL WSKAZÓWKI BEZPIECZEŃSTWA

- Przed pierwszym użyciem zakupionego urządzenia należy uważnie przeczytać instrukcję obsługi i zachować ją: obsługa niezgodna z zaleceniami instrukcji zwalnia producenta z wszelkiej odpowiedzialności.
- Z niniejszego urządzenia nie powinny korzystać osoby (w tym dzieci), których możliwości fizyczne, sensoryczne lub mentalne są ograniczone oraz osoby nieposiadające odpowiedniego doświadczenia lub wiedzy, z wyjątkiem sytuacji gdy mogą skorzystać z nadzoru lub uzyskać instrukcje dotyczące obsługi urządzenia od osoby odpowiedzialnej za ich bezpieczeństwo. Należy dopilnować, aby dzieci nie bawiły się urządzeniem.
- Sprawdzić, czy napięcie domowej sieci elektrycznej jest zgodne z napięciem podanym na urządzeniu. **Niewłaściwe podłączenie do sieci powoduje utratę gwarancji.**
- Urządzenie to jest przeznaczone wyłącznie do użytku domowego do celów kulinarnych i pod kontrolą, wewnątrz pomieszczeń, na wysokości poniżej 2000 m.
- Przed pierwszym użyciem należy umyć części mające styczność z żywnością (patrz rozdział „Uruchomienie” niniejszej instrukcji), podobnie po każdym

użyciu (rozdział „Czyszczenie”). Wskazówki co do konserwacji i czyszczenia urządzenia znajdują się w rozdziale „Czyszczenie”.

- Zawsze należy odłączać zasilanie urządzenia, gdy pozostawia się je bez nadzoru, oraz przed montażem, demontażem lub czyszczeniem.
- Nie używać urządzenia, jeżeli nie działa ono prawidłowo lub jest uszkodzone. W takim wypadku należy zwrócić się do autoryzowanego punktu serwisowego (patrz lista w książeczce serwisowej).
- Każda interwencja niezwiązana z czyszczeniem i zwykłą konserwacją musi być wykonana w autoryzowanym punkcie serwisowym (patrz lista w książeczce serwisowej).
- Nie wkładać urządzenia, przewodu zasilania lub wtyczki do wody lub innych płynów.
- Kabel zasilania należy układać w miejscu niedostępnym dla dzieci, kabel zasilania nie może znajdować się w pobliżu nagrzewających się elementów urządzenia, źródeł ciepła lub ostrych krawędzi lub stykać się z nimi.
- Jeżeli kabel zasilania lub wtyczka są uszkodzone, nie należy używać urządzenia. Aby zapobiec wszelkiemu niebezpieczeństwu, przewód musi zostać wymieniony w autoryzowanym punkcie serwisowym (patrz lista w książeczce serwisowej).
- Nie wkładać akcesoriów metalowych do kuchenki mikrofalowej.
- Dla Państwa bezpieczeństwa należy używać tylko oryginalnych akcesoriów oraz części zamiennych dostosowanych do urządzenia i sprzedawanych w autoryzowanym punkcie serwisowym.
- Niewłaściwe korzystanie z urządzenia grozi skaleczeniem.
- Ostrza (d, f, g) są bardzo ostre. Należy obchodzić się z nimi ostrożnie, aby uniknąć skaleczenia podczas opróżniania miski, montażu/demontażu ostrzy na akcesorium oraz podczas czyszczenia.
- Przed naciśnięciem przycisku odblokowania (a2) głowicy wielofunkcyjnej (a3), należy zawsze zdjąć pojemnik miksera (d) lub sokowirówkę (h).
- Należy zawsze używać popychacza (f7) z końcówką do mielenia (f) do wprowadzenia produktów do komina, nigdy nie używać palców ani widelca, łyżki, noża lub innych przedmiotów.
- Nigdy nie dotykać części w ruchu, zaczekać do całkowitego zatrzymania przed wyjęciem akcesoriów.
- Nigdy nie dotykać trzepaków albo mieszadła (c), kiedy urządzenie pracuje.
- Uważać, aby nad urządzeniem w czasie pracy nie zwisały długie włosy, szaliki, krawaty itp.
- Nigdy nie wkładać przyrządów kuchennych (łyżka, szpatułka...) w komin pokrywek (b2), (d2) lub (h2) oraz obudowy bębna (g1).
- Nie uruchamiać pojemnika miksera (d1) bez pokrywy (d2).
- Za każdym razem należy używać tylko jednego akcesorium.
- W żadnym wypadku nie wolno wlewać do pojemnika wrzących płynów.
- Nie używać pojemnika bez produktów.
- Zawsze używać pojemnika z pokrywą.
- Nigdy nie zdejmować pokrywy przed całkowitym zatrzymaniem urządzenia.

- Do pojemnika należy zawsze najpierw wkładać składniki płynne, a następnie składniki stałe.
- Nie używać pojemników (b1, d1) do zamrażania, pieczenia lub sterylizacji itp.
- Nie należy używać sokowirówki, jeżeli filtr obrotowy (h3) lub pokrywa (h2) są uszkodzone lub widać na nich pęknięcia.
- Wyłączyć urządzenie i odłączyć od zasilania przed wymianą akcesoriów lub zbliżeniem do części, które poruszają się podczas działania urządzenia.
- Należy zachować ostrożność przy wlewaniu gorącej cieczy do pojemnika miksera lub blendera, ponieważ może ona zostać wyrzucona z urządzenia w wyniku nagłego zagotowania.
- Urządzenie nie jest przeznaczone do zastosowań domowych i analogicznych (użytkowanie nieobjęte gwarancją) takich jak:
 - Aneksy kuchenne w sklepach, biurach i innych miejscach pracy;
 - Gospodarstwa rolne/agroturystyczne;
 - Przez klientów hoteli, moteli i innych obiektów o charakterze usługowym;
 - W miejscach takich jak pokoje do wynajęcia.
- **Przy składaniu i demontowaniu akcesoriów urządzenia należy posługiwać się rysunkami oraz informacjami podanymi w sekcjach „Montaż akcesoriów” i „Demontaż akcesoriów”.**
- **Należy korzystać z zawartych w instrukcji obsługi wskazówek w odniesieniu do regulacji prędkości i czasu pracy każdego akcesorium.**
- Z urządzenia nie powinny korzystać dzieci. Przechowywać urządzenie oraz kabel poza zasięgiem dzieci.
- Dzieci nie powinny używać urządzenia jako zabawki.
- Osoby o ograniczonych możliwościach fizycznych, sensorycznych lub mentalnych lub osoby nieposiadające odpowiedniego doświadczenia lub wiedzy mogą korzystać z urządzenia pod warunkiem, że są pod nadzorem lub uzyskały instrukcje dotyczące całkowicie bezpiecznej obsługi urządzenia i dobrze rozumieją potencjalne zagrożenia.
- Trzepaczki (c3) i bębnow do tarcia drobnego i grubego (g5 i g4) mogą używać dzieci w wieku co najmniej 8 lat, pod warunkiem, że są pod nadzorem lub uzyskały instrukcje dotyczące całkowicie bezpiecznej obsługi urządzenia i dobrze rozumieją potencjalne zagrożenia. Czyszczeniem i konserwacją urządzenia nie mogą zajmować się dzieci, z wyjątkiem sytuacji, gdy mają co najmniej 8 lat i znajdują się pod nadzorem osoby dorosłej. Przechowywać urządzenie oraz kabel poza zasięgiem dzieci w wieku poniżej 8 lat.

PL

URUCHOMIENIE

- Przed pierwszym użyciem, należy umyć wszystkie części akcesoriów w wodzie z płynem do mycia (z wyjątkiem przejściówki (e): Patrz § Czyszczenie) Oplukać i wysuszyć.
- Umieścić urządzenie na płaskiej, czystej i suchej powierzchni sprawdzić, czy pokrętło do regulacji (a1) jest w położeniu „0” następnie podłączyć urządzenie.
- Uruchomienie można wykonać na kilka sposobów:
 - **Praca przerywana (pulse):** Obrócić pokrętło do regulacji (a1) w pozycję „pulse” naciskając kilka

razy dla uzyskania idealnej kontroli nad przygotowywanym produktem.

- **Praca ciągła:** Obrócić pokrętko do regulacji (a1) w wybraną pozycję od „1” do „max” zależnie od przygotowywanego produktu.

Pozycję można zmieniać w trakcie pracy.

- Aby wyłączyć urządzenie, należy ustawić pokrętko (a1) w pozycji „0”.

Ważna uwaga: Urządzenie można uruchomić tylko gdy pokrywa (a5) i głowica (a3) są zablokowane. Po odblokowaniu pokrywy (a5) i/lub głowicy (a3) w czasie działania, urządzenie wyłącza się. Zablokować ponownie pokrywę i/lub głowicę, ustawić w pozycji „0” pokrętko do regulacji (a1), następnie postępować w normalny sposób w celu uruchomienia urządzenia ustawiając wybraną prędkość.

Urządzenie kuchenne jest wyposażone w mikroprocesor kontrolujący i analizujący moc działania.

W razie przeciążenia, urządzenie samoczynnie wyłącza się. Aby ponownie uruchomić urządzenie, należy ustawić pokrętko do regulacji (a1) w pozycji „0” i wyjąć część składników. Pozostawić urządzenie do schłodzenia na kilka minut. Następnie można ustawić wymaganą prędkość w celu zakończenia przygotowywania potrawy.

Numeracja poszczególnych punktów odpowiada numeracji schematów w ramce.

1 - MIESZANIE / WYRABIANIE CIASTA / UBIJANIE / WYTWARZANIE EMULSJI / ROZBEŁTANIE

Zależnie od rodzaju produktów, pojemnik ze stali nierdzewnej (b1) i pokrywa (b2) umożliwiają przygotowanie do 1,8 kg ciasta.

STOSOWANE AKCESORIA:

- Pojemnik ze stali nierdzewnej (b1).
- Pokrywa (b2)
- Hak do wyrabiania ciasta (c1) lub mieszadło (c2) lub trzepaczka (c3)

1.1 - MONTAŻ AKCESORIÓW

- Nacisnąć przycisk (a2) odblokowania głowicy wielofunkcyjnej (a3) i unieść ją do oporu.
 - Zablokować pojemnik ze stali nierdzewnej (b1) (w prawo) na urządzeniu i wysypać składniki.
 - Założyć wybrane akcesorium (c1, c2 lub c3) na napęd (a6), wcisnąć i obrócić o ćwierć obrotu w lewo w celu zablokowania akcesorium w gnieździe.
 - Ustawić głowicę wielofunkcyjną (a3) w położeniu poziomym: nacisnąć przycisk (a2) i opuścić ręcznie głowicę wielofunkcyjną (a3) do punktu zablokowania (ustawienie przycisku (a2) w położeniu początkowym).
 - Założyć pokrywę (b2) na pojemnik ze stali nierdzewnej (b1).
- Uwaga:** Użycie pokrywy nie jest obowiązkowe. Umożliwia ona zapobieganie powstania odprysków lub chlapaniu.
- Należy upewnić się, że pokrywa (a5) jest zablokowana (w prawo) na napędzie szybkim (a4).

PL

1.2 - URUCHOMIENIE

Uruchomić obracając pokrętko do regulacji (a1) w wybraną pozycję w zależności od przepisu.

- Urządzenie uruchamia się.
- Przez otwór w pokrywie (b2) można dodawać składniki w trakcie przyrządzania.
- Aby wyłączyć urządzenie, należy obrócić pokrętko (a1) w pozycję „0”.

Wskazówki:

- Wyrabianie ciasta

- Użyć hak do wyrabiania ciasta (c1) **z prędkością od „1”**.
- Można zagniatć do 500 g mąki (np.: chleb biały, chleb pełnoziarnisty, ciasto kruche, ciasto piaskowe, ...).

- Mieszanie

- Użyć mieszadła (c2) **z prędkością od „1” do „max”**.
- Można wymieszać do 1,8 kg lekkiego ciasta (proszkowe, biszkoptowe...).
- **Nigdy nie używać mieszadła (c2) do wyrabiania ciast ciężkich.**

- **Ubijanie/wytwarzanie emulsji/rozbełtanie**
- Użyć trzepaczki (c3) z **prędkością od „1” do „max”**.
- Można przyrządzać: majonez, sos czosnkowy, sosy, pianę z białka (do 8 białek jajka), bitą śmietaną (do 500 ml)...
- **Trzepaczki (c3) nigdy nie należy używać do wyrabiania ciężkich ciast albo mieszania ciast lekkich.**

1.3 - DEMONTAŻ AKCESORIÓW

- **Odczekać, aż urządzenie zatrzyma się całkowicie.**
- Zdjąć pokrywę (b2).
- Za pomocą przycisku (a2), odblokować głowicę wielofunkcyjną (a3) i ustawić ją w górnym położeniu.
- Odblokować akcesoria (c1), (c2) lub (c3) z głowicy wielofunkcyjnej przesuwając akcesorium w stronę głowicy i obracając je o ćwierć obrotu w prawo.
- Wyjąć pojemnik ze stali nierdzewnej.

2 - HOMOGENIZACJA/MIESZANIE/MIKSOWANIE (ZALEŻNIE OD MODELU)

Zależnie od rodzaju potrawy w pojemniku (d) można przygotować do 1,5 litra gęstej mieszanki i 1,25 l płynnej mieszanki.

STOSOWANE AKCESORIA:

- Pojemnik (d).

2.1 - MONTAŻ AKCESORIÓW

- Ustawić głowicę wielofunkcyjną (a3) w pozycji poziomej: przekręcić pokrętło (a2) i opuścić ręczną głowicę wielofunkcyjną (a3) do punktu zablokowania (ustawienie przycisku (a2) w położeniu początkowym).
- Odblokować pokrywkę zabezpieczającą (a5) napędu (a4) obracając ją w lewo i wyjąć ją.
- Upewnić się, że urządzenie zatrzymało się przed zablokowaniem pojemnika (d).
- Odblokować pojemnik (d) z napędu (a4) obracając w prawo.
- Umieścić produkty w pojemniku i zablokować pokrywę (d2) z korkiem- dozownikiem (d3) obracając go w lewo.

PL

2.2 - URUCHOMIENIE

- Uruchomić obracając pokrętło do regulacji prędkości (a1) w wybraną pozycję w zależności od przepisu.
W celu zapewnienia idealnej kontroli miksowania i dobrego rozmieszania potrawy należy używać pozycji „pulse”.
Przez otwór na korek- dozownik (d3) produkty można dodawać w trakcie przyrządzania.
- Aby wyłączyć urządzenie, należy obrócić pokrętło (a1) w pozycję „0”.

Wskazówki:

Można przyrządzać:

- zmiksowane zupy, kremy, musy, milk-shake i koktajle.
- ciasta płynne (naleśniki, pączki, gofry, biszkopty...).
- Jeżeli składniki przykleją się do ścianek pojemnika podczas miksowania, należy wyłączyć urządzenie, zdjąć pojemnik, zsunąć składniki na noże i założyć pojemnik w celu kontynuowania miksowania.

2.3 - DEMONTAŻ AKCESORIÓW

- Zaczekać do całkowitego zatrzymania się urządzenia w celu zdjęcia pojemnika przez odblokowanie go w lewo, następnie należy założyć na miejsce pokrywę (a5) blokując ją na napędzie (a4) (w prawo).

3 - MIELENIE (ZALEŻNIE OD MODELU)

STOSOWANE AKCESORIA:

- przejściówka mocująca (e)
- Zmontowana końcówka do mielenia (f)

3.1 - MONTAŻ PRZEJŚCIÓWKI DO MIELENIA

- Nacisnąć przycisk (a2) odblokowania głowicy wielofunkcyjnej (a3) i unieść ją do oporu.
- Zamontować przejściówkę (e) i zablokować w lewo, tak aby napęd znajdował się na przedłużeniu urządzenia.
- Ustawić głowicę wielofunkcyjną (a3) w pozycji poziomej ponownie naciskając przycisk (a2).

3.2 - MONTAŻ KOŃCÓWKI DO MIELENIA

- Złapać korpus (f1) za komin ustawiając szerszy otwór w górę.
- Następnie włożyć ślimak (f2) (najpierw dłuższa oś) w korpus (f1).
- Umieścić nóż (f3) na osi krótkiej, która wystaje ze ślimaka (f2) kierując krawędzie tnące na zewnątrz.
- Odpowiednie sitko (f4 albo f5) założyć na nóż (f3) zwracając uwagę, aby oba kołeczki były dopasowane do dwóch zagłębień w korpusie (f1).
- Dokręcić silnie nakrętkę (f6) na korpusie (f1) w prawo, bez blokowania.
- Sprawdzić montaż. Oś nie może mieć luzu i nie może też obracać się wokół siebie. W przeciwnym wypadku, należy powtórzyć opisane powyżej czynności.

3.3 - ZAKŁADANIE KOŃCÓWKI DO MIELENIA NA URZĄDZENIE

- Ustawić zmontowaną końcówkę do mielenia (f) nachyloną w prawo na wprost napędu przejściówki (e), wyrównać dwa złącza bagnetowe końcówki do mielenia z dwoma rowkami w przejściówce. Włożyć do oporu końcówkę do mielenia w przejściówkę, następnie ustawić komin końcówki do mielenia w pionie do zablokowania obracając w lewo.
- Założyć tacę (f8) na kominie.

3.4 - URUCHOMIENIE, WSKAZÓWKI I DEMONTAŻ

- Należy upewnić się, że pokrywa zabezpieczająca (a5) jest prawidłowo zablokowana (w prawo) na napędzie (a4).
- Ustawić miskę do zbierania produktu przed urządzeniem.
- Uruchomić ustawiając pokrętło (a1) w pozycji „3” lub „4”.
- Mięso należy wkładać po kawałku do kominia i dociskać popychaczem (f7). **Nigdy nie popychać składników palcami lub innymi narzędziami w kominie.**
- W celu wyłączenia urządzenia należy ustawić pokrętło w pozycji „0” i zaczekać do całkowitego zatrzymania urządzenia.
- Odblokować końcówkę do mielenia obracając ją w przeciwnym kierunku niż przy montażu.

Wskazówki:

- Przygotować wszystkie produkty przeznaczone do zmielenia (w przypadku mięsa usunąć kości, chrząstki i ścięgna i pokroić mięso na kawałki o wielkości około 2x2 cm).
- Przed rozpoczęciem mielenia należy sprawdzić, czy mięso jest rozmrożone.
- Na zakończenie można zmielić kilka kawałków chleba, co pozwoli usunąć resztę mięsa z maszynki.

4 - TARCIE / KROJENIE (ZALEŻNIE OD MODELU)

STOSOWANE AKCESORIA:

- przejściówka mocująca (e)
- Zmontowana szatkownica (g)
- Bębny (zależnie od modelu)

4.1 - MONTAŻ AKCESORIÓW

- Nacisnąć przycisk (a2) odblokowania głowicy wielofunkcyjnej (a3) i unieść ją do oporu.
- Zamontować przejściówkę (e) i zablokować w lewo, tak aby napęd znajdował się na przedłużeniu urządzenia.
- Ustawić głowicę wielofunkcyjną (a3) w pozycji poziomej ponownie naciskając przycisk (a2).
- Należy upewnić się, że pokrywa zabezpieczająca (a5) jest prawidłowo zablokowana (w prawo) na napędzie (a4).
- Ustawić zmontowaną obudowę bębna (g1) nachyloną w prawo na wprost napędu przejściówki (e), wyrównać dwa złącza bagnetowe końcówki do mielenia z dwoma rowkami w przejściówce. Włożyć do oporu, następnie ustawić komin w pionie do zablokowania obracając w lewo.

- Włożyć w obudowę wybrany bęben i sprawdzić, czy jest wsunięty całkowicie w obudowę.

4.2 - URUCHOMIENIE I ZALECENIA

- Ustawić miskę do zbierania produktu przed urządzeniem.
- U uruchomić ustawiając pokrętko (a1) w pozycji „3” do krojenia i na prędkość „4” do tarcia.
- Produkty należy wkładać w kominek obudowy i dociskać lekko za pomocą popychacza (g2). **Nigdy nie popychać składników palcami lub innymi narzędziami.**
- W celu wyłączenia urządzenia należy ustawić pokrętko w pozycji „0” i zaczekać do **całkowitego zatrzymania** urządzenia.
- Odblokować obudowę bębna obracając ją w przeciwnym kierunku niż przy montażu.
- Za pomocą bębnow można wykonać:
 - Tarcie grube C (g4) / tarcie drobne D (g5): marchew, seler, ziemniaki, ser,...
 - Krojenie grube A (g3): ziemniaki, marchew, ogórki, jabłka, buraki,...
 - Ucieranie E (g6): ziemniaki, parmezan ...

5 - ODWIROWANIE SOKU Z OWOCÓW I WARZYW (ZALEŻNIE OD MODELU)

STOSOWANE AKCESORIA:

- Zmontowana sokowirówka (h).

5.1 - MONTAŻ SOKOWIRÓWKI

- Umieścić filtr (h3) na środku korpusu zbiornika (h4).
- Odblokowanie pokrywy: obrócić w lewo i zablokować pokrywę (h2) na korpusie zbiornika (h4) (pozycja z zamkniętą kłódką).
- Blokowanie ogólne: przesunąć dźwignę blokowania (h6) w pozycję zamkniętej kłódki.

5.2 - MONTAŻ SOKOWIRÓWKI NA URZĄDZENIU

- Ustawić głowicę wielofunkcyjną (a3) w pozycji poziomej: nacisnąć przycisk (a2) i opuścić ręcznie głowicę wielofunkcyjną (a3) do punktu zablokowania (ustawienie przycisku (a2) w położeniu początkowym).
- Odblokować i zdjąć pokrywkę (a5) z napędu (a4) obracając ją w lewo.
- Upewnić się, że urządzenie zatrzymało się przed zablokowaniem sokowirówki (h).
- Zablokować zmontowaną sokowirówkę na napędzie (a4) obracając ją w prawo, tak aby wylot wylewki był wyrównany z urządzeniem.
- Nałożyć wylewkę (h5) na korpus zbiornika (h4).

5.3 - URUCHOMIENIE I ZALECENIA

- Ustawić dużą szklanekę pod wylewkę (h5).
- U uruchomić ustawiając pokrętko (a1) w pozycji „3”.
- Pokroić owoce i/lub warzywa na kawałki.
- Produkty należy wkładać w kominek pokrywki (h2) i dociskać lekko za pomocą popychacza (h1). **Nigdy nie popychać palcami lub innymi narzędziami.**
- Nie przetwarzać więcej niż 5 porcji po 500 g produktów bez przerwy umożliwiającej całkowite schłodzenie urządzenia.
- W celu uzyskania jak najlepszego wyniku, należy czyścić filtr co 300 g składników.
- Ważna uwaga: Gdy korpus zbiornika na drobinki owoców jest pełny, należy wyłączyć urządzenie i opróżnić korpus zbiornika.
- W celu wyłączenia urządzenia należy ustawić regulator w pozycji „0” i zaczekać do całkowitego zatrzymania urządzenia.
- **Zaczekać do całkowitego zatrzymania filtra obrotowego przed wyjęciem całego urządzenia.**
- Aby wyjąć sokowirówkę, należy odblokować ją obracając w lewo.
- Ustawić dźwignę blokowania (h6) w pozycję otwartej kłódki. Otworzyć pokrywkę (pozycja otwartej kłódki). Następnie można wyjąć filtr (h3), aby go wyczyścić i opróżnić korpus zbiornika (h4).

Wskazówki:

- Można przygotować soki z następujących produktów: marchew, pomidory, jabłka, winogrona, maliny,...

- Należy obrać owoce z grubą skórką, usunąć pestki, usunąć środkową część ananasa.
- Nie można przygotować soku z niektórych owoców i warzyw: banany, awokado, jeżyn itd.
- Można przygotowywać sok z różnych owoców i warzyw bez konieczności każdorazowego mycia sokowirówki, smaki nie będą mieszać się, jeżeli przez uruchomioną sokowirówkę przepuści się niewielką ilość wody w celu wypłukania pozostałości soku.
- Soki należy spożyć w krótkim czasie po ich przygotowaniu i dodać do nich soku z cytryny przed przechowaniem ich przez kilka godzin w lodówce.

6 - DOSTOSOWANIE DŁUGOŚCI PRZEWODU

W celu zapewnienia wygodnego użytkowania lub przy przechowywaniu, można skrócić długość przewodu wsuwając go do wnętrza silnika (a) przez otwór z tyłu (a7).

7 - DROBNE SIEKANIE MAŁYCH ILOŚCI (ZALEŻNIE OD MODELU)

STOSOWANE AKCESORIA:

- Zmontowany rozdrabniacz.

Za pomocą rozdrabniacza można:

– W ciągu kilku sekund posiekać w trybie pulse: suszone figi, suszone morele...

ilość / maks. czas: 100 g / 5 s

Rozdrabniacz nie nadaje się do przetwarzania produktów twardych, takich jak kawa.

CZYSZCZENIE

- Odłączyć urządzenie.
- Nie zanurzać silnika (a), ani przejściówki (e) w wodzie i nie wkładać pod bieżącą wodę. Wytrzeć suchą lub lekko wilgotną ścierką.
- Dla ułatwienia czyszczenia, należy opłukać akcesoria po użyciu. Zdemontować całkowicie końcówkę do mielenia mięsa. **Posługiwać się nożami z zachowaniem ostrożności ze względu na ryzyko zranienia.**
- Umyć i wysuszyć akcesoria: nadają się do mycia w zmywarce z wyjątkiem elementów metalowych końcówek do mielenia mięsa: korpus (f1), ślimak (f2), nóż (f3), sitka (f4 i f5), nakrętka (f6).
- Sitka (f4) i (f5) oraz nóż (f3) powinny być nasmarowane. Należy je lekko natłuścić olejem jadalnym w celu ochrony przed korozją.

PL

Porady:

- W razie zabarwienia akcesoriów przez produkty (marchew, pomarańcze, ...) należy je przetrzeć ścierką zwilżoną olejem jadalnym, a następnie normalnie umyć.
- Pojemnik (d): wlać ciepłą wodę i kilka kropel płynu do mycia naczyń do pojemnika. Zamknąć pokrywę. Założyć na urządzenie i wykonać kilka impulsów. Po zdjęciu wypłukać pojemnik wodą i pozostawić do wyschnięcia (pojemnik skierowany dnem do góry).

PRZECHOWYWANIE

Nie przechowywać urządzenia w miejscu wilgotnym.

CO ROBIĆ, JEŻELI PAŃSTWA URZĄDZENIE NIE DZIAŁA?

Jeżeli urządzenie nie działa sprawdzić, czy:

- Wtyczka jest włożona do zasilania.
- Wszystkie akcesoria są zablokowane.
- Obecność i blokada pokrywki zabezpieczającej (a5) gdy napęd (a4) nie jest używany.
- Blokada w poziomie głowicy wielofunkcyjnej (a3).

Urządzenie kuchenne jest wyposażone w mikroprocesor kontrolujący i analizujący moc działania. W razie przeciążenia, urządzenie samoczynnie wyłącza się. Aby ponownie uruchomić urządzenie, należy

ustawić przycisk obrotowy (a1) w pozycji „0” i wyjąć część składników. Pozostawić urządzenie do schłodzenia na kilka minut. Następnie można ustawić wymaganą prędkość w celu zakończenia przygotowywania potrawy.

Urządzenie nadal nie działa? Należy zwrócić się do autoryzowanego punktu serwisowego (patrz lista w książeczce serwisowej).

USUWANIE OPAKOWANIA I URZĄDZENIA



Opakowanie zawiera wyłącznie materiały niestanowiące zagrożenia dla środowiska, które mogą być usuwane zgodnie z obowiązującymi przepisami dotyczącymi recyklingu.

Przy usuwaniu urządzenia, należy uzyskać odpowiednie informacje w urzędzie gminy.

ZUŻYTE PRODUKTY ELEKTRYCZNE LUB ELEKTRONICZNE

Pomóżmy chronić środowisko!



i To urządzenie jest zbudowane z licznych materiałów nadających się do powtórnego wykorzystania lub recyklingu.



Należy je przekazać do punktu zbiórki odpadów w celu zapewnienia odpowiedniego przetworzenia.

AKCESORIA

Urządzenie można dostosować odpowiednio do osobistych potrzeb użytkownika poprzez dokupienie następujących elementów wyposażenia w sklepie lub autoryzowanym serwisie:

Pojemnik ze stali nierdzewnej
Pokrywa pojemnika ze stali nierdzewnej
Hak do wyrabiania ciasta
Mieszadło
Trzepaczka
Pojemnik
Sokowirówka
Rozdrabniacz
Przejsściówka mocująca

Końcówka do mielenia mięsa
Szatkownica:
– **A**: krojenie na plasterki
– **C**: tarcie grube
– **D**: tarcie drobne
– **E**: ucieranie
Zestaw do makaronu
Przystawka do robienia Coulis
Młynek obrotowy do makaronu

Uwaga: żadne akcesorium nie zostanie sprzedane bez przedstawienia instrukcji obsługi lub urządzenia.

PRZEPISY

BITA ŚMIETANA

Składniki (dla 6/8 osób): 250 ml schłodzonej śmietany crème fraîche - 50 g cukru pudru.

Dodaj crème fraîche oraz cukier puder do wykonanej ze stali nierdzewnej miski z nasadką do ugniatacia ciasta i pokrywą. Mieszaj składniki przez 2 minuty z prędkością 4, a następnie przez 3,5 minuty z prędkością maksymalną.

MAJONEZ

Składniki: 1 żółtko - 1 łyżka stołowa łagodnej musztardy - 1 łyżka stołowa octu - 250 ml oliwy z oliwek lub oleju słonecznikowego - sól i pieprz.

Dodaj żółtko, musztardę, ocet, sól i pieprz do wykonanej ze stali nierdzewnej miski z trzepaczką i

pokrywą. Ustaw pokrętko do regulacji prędkości w pozycji 1. Uruchom trzepaczkę i bardzo powoli dolewaj olej.

Po 10 sekundach zwiększ prędkość do maksymalnej. Po dodaniu oleju mieszaj masę przy użyciu trzepaczki przez dalsze 30 sekund.

Wskazówka: Do majonezu można dodać starty ząbek czosnku. Aby uzyskać najlepszy efekt, należy użyć składników o temperaturze pokojowej.

BIAŁE PIECZYWO

Składniki (na jeden okrągły bochenek o masie 800 g): 500 g mąki pszennej chlebowej 300 ml letniej wody - 10 g suszonych drożdży piekarskich - 10 g soli.

Dodaj mąkę, sól i suszone drożdże do miski ze stali nierdzewnej. Załóż nasadkę do ugniatania ciasta i pokrywą, a następnie mieszaj masę przez kilka sekund z prędkością 1. Dodaj letnią wodę przez otwór w pokrywie. Ugniataj masę przez 8 minut. Pozostaw ciasto na około pół godziny w temperaturze pokojowej. Dłońmi uformuj z ciasta kulę. Umieść ją na nasmarowanym masłem i oprószonym mąką papierze do pieczenia. Pozostaw ciasto na około godzinę w temperaturze pokojowej, aby wyrosło. Nagrzej piekarnik do temperatury 240°C. Wykonaj nożem nacięcia i skrop bochenek letnią wodą. Umieść wypełniony wodą pojemnik w piekarniku. Dzięki niemu chleb będzie miał złocistą skórkę. Piecz przez 40 minut w temperaturze 240°C.

Wskazówka: Drożdży piekarskich nie powinno się nigdy łączyć bezpośrednio z cukrem lub solą, ponieważ dojdzie do niepożądanego reakcji.

CIASTO KRUCHE

Składniki (na podkład do tarty o masie 350 g): 200 g mąki zwykłej - 100 g masła - 50 ml wody - szczypta soli.

Dodaj mąkę, masło i sól do miski ze stali nierdzewnej. Załóż nasadkę do ugniatania ciasta i pokrywą, a następnie mieszaj masę przez kilka sekund z prędkością 1. Podczas mieszania dodaj letnią wodę. Wyłącz urządzenie, gdy ciasto zacznie przypominać kulę. Przed rozwałkowaniem oraz upieczeniem przykryj ciasto folią kuchenną i pozostaw je w chłodnym miejscu na przynajmniej godzinę.

BRIOSZKI

Składniki (dla 6 osób): 250 g mąki pszennej chlebowej - 5 g soli - 25 g cukru - 100 g masła - 2 całe jaja i 1 żółtko - 3 łyżki stołowe letniego mleka - 2 łyżki stołowe wody - 5 g suszonych drożdży piekarskich.

Wsyp mąkę do miski ze stali nierdzewnej i wykonaj dwa wgłębienia: do jednego z nich wsyp sól i cukier, a w drugim umieść drożdże, letnie mleko oraz wodę. Sól nie należy łączyć z drożdżami, ponieważ prowadzi to do niepożądanego reakcji obu składników. Dodaj jaja, a następnie załóż nasadkę do ugniatania ciasta i pokrywą. Ustaw regulator prędkości w pozycji 1 i ugniataj masę przez 15 sekund, a następnie przez 2 minuty 45 sekund z prędkością 2. Stale mieszając, dodaj masło w ciągu jednej minuty. Należy pamiętać, że nie powinno ono być zbyt miękkie (pół godziny przed użyciem wyjmij je z lodówki). Kontynuuj ugniatanie przez kolejne 5 minut z prędkością 2, a następnie przez 5 minut z prędkością 3. Nakryj ciasto i pozostaw je na 2 godziny w temperaturze pokojowej. Po upływie tego czasu ciasto należy wyrobić, uderzając je dynamicznie dłońią. Nakryj ciasto i wstaw je na kolejne 2 godziny do lodówki, aby wyrosło. Po wyjęciu ciasto należy ponownie wyrobić, uderzając je dłońią. Przykryj ciasto folią kuchenną i wstaw na noc do lodówki, aby wyrosło. Następnego dnia nasmaruj masłem i oprósz mąką formę do brioszek. Uformuj ciasto tak, aby przybrało kształt kuli. Umieść ciasto w formie i pozostaw w ciepłym miejscu do momentu, aż urośnie i wypełni formę (2-3 godziny). Umieść formę w piekarniku rozgrzanym do temperatury 180°C i piecz przez około 25 minut.

Wskazówka: Dodaj kawałki czekolady lub kandyzowane owoce.

PIECZYWO ŚRÓDZIEMNOMORSKIE

Składniki (dla 6 osób): 200 g mąki zwykłej - 4 jaja - 11 g proszku do pieczenia - 100 ml mleka - 50 ml oliwy z oliwek - 12 suszonych pomidorów - 200 g sera feta - 15 zielonych oliwek bez pestki - odrobina curry (opcjonalnie) - sól i pieprz.

Nagrzij piekarnik do temperatury 180°C. Formę wysmaruj masłem i oprósz mąką. W misie ze stali nierdzewnej z nasadką mieszającą oraz pokrywą zmieszaj mąkę, jaja i proszek do pieczenia, zaczynając od prędkości 1 i stopniowo zwiększając ją do poziomu 3. Dodaj oliwę oraz mleko i mieszaj masę przez półtorej minuty. Zmniejsz prędkość do poziomu 1 i dodaj suszone pomidory (pokrojone na kawałki), kostki sera feta, zielone oliwki (pokrojone na kawałki) oraz curry. Dopraw. Masę przelej do formy i włóż na 30-40 minut do piekarnika. Nakłuj bochenek nożem, aby sprawdzić, czy już jest upieczony.

Wskazówka: Ser feta można zastąpić mozzarellą i dodać kilka posiekanych liści bazylii.

CIASTO CZEKOLADOWE

Składniki (dla 8 osób): 200 g prawdziwej gorzkiej czekolady - 150 g cukru pudru - 125 g mąki zwykłej - 125 g miękkiego masła - 4 jaja - 200 ml płynnej śmietany (35%) - 100 g zmielonych migdałów (opcjonalnie) - 1 saszetka cukru waniliowego (opcjonalnie) - 11 g proszku do pieczenia - 1 szczypta soli.

Nagrzij piekarnik do temperatury 180°C. Połamaną na cząstki czekoladę rozpuść z 3 łyżkami stołowymi wody w kuchenke mikrofalowej lub w garnku do kąpeli wodnej. Cały czas mieszając, dodawaj stopniowo w niewielkich ilościach masło. Odczekaj, aż całkowicie ostygnie. Oddziel żółtka od białek. Odstaw białka. Dodaj żółtka, rozpuszczoną masę czekoladową, śmietaną, cukier, cukier waniliowy, mielone migdały oraz pozostałą porcję masła do wykonanej ze stali nierdzewnej miski z nasadką mieszającą i pokrywą. Mieszaj całość przez 20 sekund z prędkością 1. Zwiększ prędkość do 2 i wsyp przez otwór w pokrywie mąkę zmieszaną z drożdżami. Mieszaj całość przez około 2 minuty do osiągnięcia jednolitej konsystencji. Przelej ciasto do dużej miski i odstaw je. Dodaj białka oraz szczyptę soli do oczyszczonej miski ze stali nierdzewnej z trzepaczką. Ubijaj białka z prędkością 5 przez minutę i 45 sekund, a następnie przez 30 sekund z prędkością maksymalną. Przy pomocy łopatką ostrożnie dodaj pianę do masy czekoladowej. Całość wlej do nasmarowanej masłem i oprószonej mąką formy. Piecz przez 25 minut w piekarniku rozgrzanym do temperatury 180°C.

Wskazówka: Ciasto smakuje wyjątkowo z sosem crème anglaise (patrz przepis na „pływające wyspy”) lub z gałką lodów waniliowych.

PL

Jeśli chcesz poznać inne ciekawe przepisy, odwiedź stronę www.tefal.com

INTERNATIONAL GUARANTEE : COUNTRY LIST

			
الجزائر ALGERIA	(0)41 28 18 53	سنة واحدة 1 year	CIJA 9 rue Puvis de Chavannes Saint Euquene Oran
ARGENTINA	0800-122-2732	2 años 2 years	GRUPE SEB ARGENTINA S.A. Billinghurst 1833 3° C1425DTK Capital Federal Buenos Aires
ՀԱՅԱՍՏԱՆ ARMENIA	(010) 55-76-07	2 տարի 2 years	ՓԲԸ "Գրուպպա ՄԵԲ", 125171, Մոսկվա, Լենինգրադայան խճուղի, 16A, շին.3
AUSTRALIA	02 97487944	2 years	GRUPE SEB AUSTRALIA PO Box 7535, Silverwater NSW 2128
ÖSTERREICH AUSTRIA	01 866 70 299 00	2 Jahre 2 years	SEB ÖSTERREICH GmbH Campus 21 - Businesspark Wien Süd, Liebermannstr. A02 702 2345 Brunn am Gebirge
БЕЛАРУСЬ BELARUS	017 2239290	2 года 2 years	ЗАО «Группа СЕБ-Восток», 125171, Москва, Ленинградское шоссе, д. 16А, стр. 3
BELGIQUE BELGIE BELGIUM	070 23 31 59	2 ans 2 years	GRUPE SEB BELGIUM SA NV 25 avenue de l'Espérance - ZI 6220 Fleurus
BOSNA I HERCEGOVINA	Info-linija za potrošače 033 551 220	2 godine 2 years	SEB Développement Predstavništvo u BiH Vrazova 8/II 71000 Sarajevo
BRASIL BRAZIL	0800-119933	1 ano 1 year	SEB COMERCIAL DE PRODUTOS DOMÉSTICOS LTDA Rua Venâncio Aires, 433/437/447, Pompéia, São Paulo/SP
БЪЛГАРИЯ BULGARIA	0700 10 330	2 години 2 years	ГРУП СЕБ БЪЛГАРИЯ ЕООД бул. България 81 В, ет. 5 1404 София
CANADA	1-800-418-3325	1 an 1 year	GRUPE SEB CANADA 345 Passmore Avenue Toronto, ON, M1V 3N8
CHILE	12300 209207	2 años 2 years	GRUPE SEB CHILE Comercial Ltda Av. Providencia, 2331, Piso 5, Oficina 501 Santiago
COLOMBIA	18000919288	2 años 2 years	GRUPE SEB COLOMBIA Apartado Aereo 172, Kilometro 1 Via Zipaquira, Cajica Cundinamarca
HRVATSKA CROATIA	01 30 15 294	2 godine 2 years	SEB Développement S.A.S. Vodnjanska 26, 10000 Zagreb
ČESKÁ REPUBLIK CZECH REPUBLIC	731 010 111	2 roky 2 years	GRUPE SEB ČR spol. s r. o. Jankovcova 1569/2c 170 00 Praha 7

DANMARK DENMARK	44 663 155	2 år 2 years	GRUPE SEB NORDIC AS Tempovej 27, 2750 Ballerup
EESTI ESTONIA	5 800 3777	2 aastat 2 years	GRUPE SEB POLSKA Sp. z o.o. ul. Bukowińska 22b 02-703 Warszawa
مصر EGYPT	الخط الساخن: 16622	سنة واحدة 1 year	جروب سب إيجيبت طريق 14 مايو - سموحه الإسكندرية - مصر
SUOMI FINLAND	09 622 94 20	2 vuotta 2 years	Groupe SEB Finland Kutojantie 7, 02630 Espoo
FRANCE Continentale + Guadeloupe, Martinique, Réunion, Saint-Martin	09 74 50 47 74	1 an 1 year	GRUPE SEB FRANCE Service Consommateur Tefal BP 15 69131 ECULLY CEDEX
DEUTSCHLAND GERMANY	0212 387 400	2 Jahre 2 years	GRUPE SEB DEUTSCHLAND GmbH / KRUPS GmbH Herrrainweg 5, 63067 Offenbach
ΕΛΛΑΔΑ GREECE	2106371251	2 χρόνια 2 years	SEB GROUPE ΕΛΛΑΔΟΣ Α.Ε. Οδός Καβαλιεράτου 7 Τ.Κ. 145 64 Κ. Κηφισιά
香港 HONG KONG	8130 8998	1 year	SEB ASIA Ltd. Room 903, 9/F, South Block, Skyway House 3 Sham Mong Road, Tai Kok Tsui, Kowloon, Hong-Kong
MAGYARORSZÁG HUNGARY	06 1 801 8434	2 év 2 years	GRUPE SEB CENTRAL EUROPE Kft. Táviró köz 4 2040 Budaörs
INDONESIA	+62 21 5793 6881	1 year	GRUPE SEB INDONESIA (Representative office) Sudirman Plaza, Plaza Marein 8th Floor JL Jendral Sudirman Kav 76-78, Jakarta 12910, Indonesia
ITALIA ITALY	199207354	2 anni 2 years	GRUPE SEB ITALIA S.p.A. Via Montefeltro, 4 20156 Milano
日本 JAPAN	0570 077 772	1 year	株式会社グループセブジャパン 〒141-0022 東京都品川区東五反田 3-14-13 高輪ミューズビル
ҚАЗАҚСТАН KAZAKHSTAN	727 378 39 39	2 жыл 2 years	ЖАҚ «Группа СЕБ- Восток» 125171, Мәскеу, Ленинградское шоссесі, 16А, 3 үйі
한국어 KOREA	1588-1588	1 year	(유)그룹 세브 코리아 서울시 종로구 서린동 88 서린빌딩 3층, 110-790
LATVJA LATVIA	6 716 2007	2 gadi 2 years	GRUPE SEB POLSKA Sp. z o.o. ul. Bukowińska 22b, 02-703 Warszawa

LIETUVA LITHUANIA	6 470 8888	2 metai 2 years	GRUPE SEB POLSKA Sp. z o.o. ul. Bukowińska 22b, 02-703 Warszawa
LUXEMBOURG	0032 70 23 31 59	2 ans 2 years	GRUPE SEB BELGIUM SA NV 25 avenue de l'Espérance - ZI 6220 Fleurus
МАКЕДОНИЈА MACEDONIA	(0)2 20 50 022	2 години 2 years	Groupe SEB Bulgaria EOOD Office 1, floor 1, 52G Borovo St., 1680 Sofia - Bulgaria ГРУП СЕБ БЪЛГАРИЯ ДООЕЛ Ул. Борово 52 Г, сп. 1, офис 1, 1680 София, България
MALAYSIA	603 7710 1175	2 years	GRUPE SEB MALAYSIA SDN. BHD Unit No. 402-403, Level 4, Uptown 2, No. 2, Jalan SS21/37, Damansara Uptown, 47400, Petaling Jaya, Selangor D.E Malaysia
MEXICO	(01800) 112 8325	1 año 1 year	Groupe S.E.B. México, S.A. DE C.V. Goldsmith 38 Desp. 401, Col. Polanco Delegación Miguel Hidalgo 11 560 México D.F.
MOLDOVA	(22) 929249	2 ani 2 years	ТОВ «Груп СЕБ Україна» 02121, Харківське шосе, 201-203, 3 поверх, Київ, Україна
NEDERLAND The Netherlands	0318 58 24 24	2 jaar 2 years	GRUPE SEB NEDERLAND B.V. De Schutterij 27 3905 PK Veenendaal
NEW ZEALAND	0800 700 711	1 year	GRUPE SEB NEW ZEALAND Unit E, Building 3, 195 Main Highway, Ellerslie, Auckland
NORGE NORWAY	815 09 567	2 år 2 years	GRUPE SEB NORDIC AS Tempovej 27 2750 Ballerup
PERU	441 4455	1 año 1 year	Groupe SEB Perú Av. Camino Real N° 111 of. 805 B San Isidro - Lima
POLSKA POLAND	0801 300 421 koszt jak za połączenie lokalne	2 lata 2 years	GRUPE SEB POLSKA Sp. z o.o. ul. Bukowińska 22b, 02-703 Warszawa
PORTUGAL	808 284 735	2 anos 2 years	GRUPE SEB IBÉRICA SA Urb. da Matinha Rua Projectada à Rua 3 Bloco1 - 3° B/D 1950 - 327 Lisboa
REPUBLIC OF IRELAND	01 677 4003	1 year	GRUPE SEB IRELAND Unit B3 Aerodrome Business Park, College Road, Rathcoole, Co. Dublin
ROMÂNIA ROMANIA	0 21 316 87 84	2 ani 2 years	GRUPE SEB ROMÂNIA Str. Daniel Constantin nr. 8 010632 București

РОССИЯ RUSSIA	495 213 32 30	2 года 2 years	ЗАО «Группа СЕБ-Восток», 125171, Москва, Ленинградское шоссе, д. 16А, стр. 3
SRBIJA SERBIA	060 0 732 000	2 godine 2 years	SEB Developpement Đorđa Stanojevića 11b 11070 Novi Beograd
SINGAPORE	6550 8900	1 year	GRUPE SEB SINGAPORE Pty Ltd. 59 Jalan Pemimpin, #04-01/02 L&Y Building, Singapore 577218
SLOVENSKO SLOVAKIA	233 595 224	2 roky 2 years	GRUPE SEB Slovensko, spol. s r.o. Rybničná 40, 831 06 Bratislava
SLOVENIJA SLOVENIA	02 234 94 90	2 leti 2 years	SEB d.o.o Gregorčičeva ulica 6 2000 MARIBOR
ESPAÑA SPAIN	902 31 24 00	2 años 2 years	GRUPE SEB IBÉRICA S.A. C/ Almogàvers, 119-123, Complejo Ecourban, 08018 Barcelona
SVERIGE SWEDEN	08 594 213 30	2 år 2 years	TEFAL SVERIGE SUBSIDIARY OF GRUPE SEB NORDIC Truckvägen 14 A, 194 52 Upplands Väsby
SUISSE SCHWEIZ SWITZERLAND	044 837 18 40	2 ans 2 Jahre 2 years	GRUPE SEB SCHWEIZ GmbH Thurgauerstrasse 105 8152 Glattbrugg
台灣 TAIWAN	02 28333716	1 year	SEB ASIA Ltd. Taiwan Branch 4F., No. 37 Dexing W. Rd., Shilin Dist., Taipei City 11158, Taiwan (R.O.C.)
ประเทศไทย THAILAND	02 769 7477	2 years	GRUPE SEB THAILAND 2034/66 Italthai Tower, 14th Floor, n° 14-02, New Phetchburi Road, Bangkapi, Huaykwang, Bangkok, 10320
TÜRKIYE TURKEY	216 444 40 50	2 YIL 2 years	GRUPE SEB ISTANBUL AS Beybi Giz Plaza Dereboyu Cad. Meydan Sok., No: 28 K.12 Maslak
U.S.A.	800-395-8325	1 year	GRUPE SEB USA 2121 Eden Road, Millville, NJ 08332
Україна UKRAINE	044 300 13 04	2 роки 2 years	ТОВ «Груп СЕБ Україна» 02121, Харківське шосе, 201-203, 3 поверх, Київ, Україна
UNITED KINGDOM	0845 602 1454	1 year	GRUPE SEB UK LTD Riverside House, Riverside Walk Windsor, Berkshire, SL4 1NA
VENEZUELA	0800-7268724	2 años 2 years	GRUPE SEB VENEZUELA Av Eugenio Mendoza, Centro Letonia, Torre ING Bank, Piso 15, Ofc 155 Urb. La Castellana, Caracas
VIETNAM	08 38645830	2 years	Vietnam Fan Joint Stock Company 25 Nguyen Thi Nho Str, Ward 9, Tan Binh Dist, HCM city