

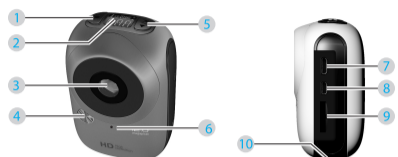


Model: 727

LIC Xtreme Sport Cam User manual

EGO062012ENG

Part Names:



- Shutter / Select / Wifi Start & Shutdown button
- LCD Display
- Camera Lens
- Mode Light Indicator
- Power / Mode button
- Microphone
- USB Port
- HDMI Port
- Micro SD card slot
- Accessory Knob

This manual explains how to safely operate the Ego Sports Camera. Please read these instructions carefully before using the camera.

Liquid Image will update the software regularly, please refer to the information on our website and download the newest software. www.liquidimageco.com

Please note before use

- Check if the Micro SD card of this equipment was installed properly.
- Check if the memory card has enough free space.
- The lithium battery must be fully charged before the first use. You can either use the supplied USB cable and charge it with your computer, or use a wall charger (sold separately)
- A Liquid Image charging cable must be used to avoid damage to the camera.

Basic information



Turn on/off:

The Camera will not function without a Micro SDHC card up to 32GB with a class 6 or higher rating. Insert Micro SDHC card. Turn on the camera by pressing the Mode button. The Camera will turn on in the 720p@60fps Mode (Blue LED). The WiFi signal icon will begin flashing once the WiFi module is available in about 8 seconds. To turn on the WiFi connection, press and hold the Shutter button down for 3 seconds or until the WiFi icon becomes solid (see WiFi setting section of user manual). To turn off the camera, press and hold the Mode button for three seconds.

If the camera remains in standby mode for three minutes, it will automatically power off.

Note: If the WiFi function is on, the function of auto shut down will be inactive.

Firmware Upgrade Procedure:

Copy the firmware file to the root directory of the SD card, outside of the main directory folders. Then, disconnect the USB cable and the camera will automatically shut down. Now, with the camera off, press and hold both the on/off button and the shutter button. Once you hear the camera beep, release both buttons at the same time. (Please note that LCD will show UP during the process. After the upgrade finishes, the camera will shut down automatically.)

SOS message

When the camera shows SOS, it means the current recording document is damaged; the user can press any key to repair this document.

HOT message

When the LCD display shows HOT, it means the temperature of the camera is too high and needs to shut down for cooling. It won't damage the camera and is only for reminding the user that the temperature of the equipment cannot be too high. The user only needs to reboot the camera after it cools down.

Mode Setting



WiFi	wireless WiFi signal icon
Battery	shows the battery level
Photo Mode	Photo mode or Continuous photo mode
SD card	Icon flashes continuously when no SD card is recognized
720	720 mode 720p@60 Frames per second mode
1080	1080 mode 1080p@30 frames per second mode

Mode Switching

When the camera is turned on, the default mode is 720p@60 frames per second. This will be indicated by the LED showing solid blue. To switch between the different modes of the camera, briefly press the mode button.

Pressing the Power / Mode button cycles through the modes in the following order: 720P 60, 1080P 30, Photo, and Continuous Photo. Pressing the SHUTTER and mode buttons at the same time in the 720P/1080P mode will switch to the PAL / NTSC standard. Press the mode button to switch, and press the SHUTTER button to save and exit.

720P@60fps recording mode – Blue LED

Press the SHUTTER button once in the preview mode and the camera will start recording. During the recording process, the blue LED light will flash. Press again to stop recording and the blue LED light will stay solid.

1080P@30fps recording mode – Green LED

In the 720P 60 mode, press the Mode button briefly to switch to the 1080P 30 mode. In the preview mode, press the SHUTTER button once and the camera will start recording. During the recording process, the green LED light will flash. Press again to stop recording and the green LED light will stay solid.

Photo mode – red LED

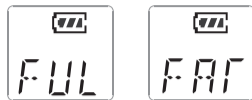
In the 1080P 30 mode, press the mode button briefly to switch to the Photo mode, and the red LED light will be solid.

With the camera in standby mode, if you wish to take a single photo, press the shutter button briefly. You will hear a beep and see the red LED flash once, which indicates that a single photo has been taken.

Continuous Photo mode – purple LED

In the photo mode, press the mode button briefly to switch to the Continuous Photo mode, and the purple LED light will be solid.

With the camera in standby mode (indicated by a solid purple LED) press the shutter button briefly to activate the continuous shooting mode. You will hear a beep and see the LED flash every time a photo is recorded. To stop the continuous shot mode, press the shutter button again briefly, and the LED will return to a solid state.

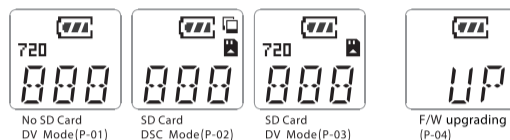


Reminder

When the memory card is full, the LCD display will show FUL. If you wish to format the memory card, please use the following operation: Insert the memory card into the camera and hold the shutter button. Then, press the Mode button continuously four times in a row. The LCD will then show FAT on the screen which indicates that the MicroSD card is being formatted.

LCD Display

If a Micro SD card is not inserted, and the camera is powered on, the SD card icon on the right side will flash, as shown in P-01 below. If the Micro SD is present in the camera, the LCD screen will display as shown in P-02. The display in the DV mode is as pictured in P-03 below.



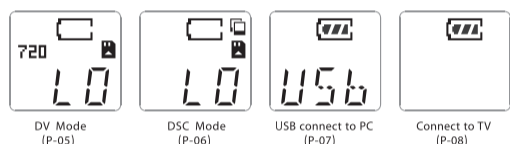
F/W Upgrade Display When Using Micro SD Card:

The LCD display shows picture P-04 above.

Low battery

When the battery is low, the LCD display in Video mode will display like picture P-05. When it is in Camera mode, it will display as shown in P-06. When no bars remain, it will beep 3 times and the word "LO" flashes on the screen, and the LED light will flash red. After it stops beeping, the battery icon will begin to flash.

When the battery is about to cut off, the camera will beep 9-12 times. At this time, the video document that is in the process of recording will be saved before the power is cut off, and the document will be able to be played normally.



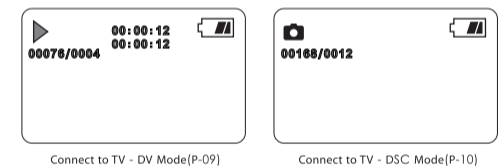
USB connection mode

When the USB is used to connect the camera to the computer, the LCD display will display as shown in P-07. You may access or move the photos and video files in the camera to the computer. At this time, the battery is also simultaneously charging.

HDMI connection mode

When an HDMI cable is used to connect to the TV, the LCD display will display as shown in P-08. The TV will display as shown in P-09.

When the camera is on, connect it to the TV via the HDMI cable. The camera will play the first video automatically and stop after this video is completed. Then, press the shutter button to play the next video, or press the mode button to play the previous video. If you would like to switch to photo mode, press and hold the mode button for 3 seconds. When in photo mode, it will show the first photo automatically. Press the shutter button to advance to the next photo, or press the mode button to display the previous photo. To switch back to the video display, press and hold the mode button for 3 seconds.



Note:

The TV screen will show the Digital Video playback icon, the battery symbol, the video file number/total number of videos, and the playing time/total time. Picture P-10 is what will be displayed on the TV when connected in photo viewing mode. It will show the picture file number/ total file number and the battery symbol.

Only turn the camera off after it has been disconnected from the HDMI cable, as it will not turn off while still connected to the TV.

When the camera is connected to both the computer and TV at the same time, it will override to the MSDC mode, and the LCD screen will display "USB".

Charging

While charging, the battery symbol will show the animation of the battery charging, and the camera will shut down automatically when it has reached a full charge. If you wish to use the camera while it is charging, you can press the shutter button to switch to the 720p mode. Charging will pause and you will be able to use the camera normally. While charging, the LCD screen will display as in P-11.



Power On	1 Beep sound
Button Pressing	1 Beep sound
Wifi activation	WiFi icon is solid
720P 60 Video mode	Blue light flashes
1080P 30 Video mode	Green light flashes
Photo mode	Red light flashes once
Continuous Photo mode	Purple light flashes
Wifi shutdown	Wifi icon flashes
Low battery, the battery symbol shows empty	Red light flashes, short continuous beep sounds.

Wifi setting

The Wifi feature on the camera is off by default, as displayed by the flashing WiFi icon (Note: The WiFi icon will take around 8 seconds after powering on before it is shown on the LCD screen. Please do not press any buttons until you see this icon)

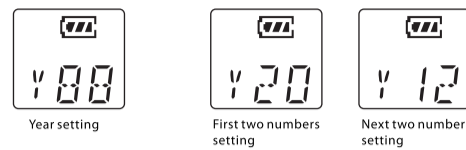
To activate the feature, simply hold the shutter button for two seconds, and you will hear two beeps, and the LCD display will show a solid WiFi symbol. The WiFi takes 8 seconds to boot, so do not press any buttons during this time.

After the WiFi is activated, press and hold the recording button for two seconds to shut it off. This procedure will be indicated by a flashing WiFi symbol in the LCD screen. When the WiFi is activated, it will automatically shut off if you press the shutter button to begin recording, and will take 8 seconds to complete the shut-down procedure.

(Note: If the WiFi is activated, it will auto switch off if you press shutter button for recording. And the wifi shutdown process may take around 8 second.)

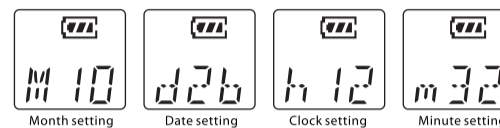
Date, time setting

With the camera switched off, press the SHUTTER button and press the MODE button for two seconds to activate the camera, hold the SHUTTER button, and press the MODE button three times continuously to enter the date and time settings. The sequence of the display is: year-month-day- clock- minute.



The numbers in the LCD screen will flash. To change the numbers press the mode button, and use the shutter button to confirm your selection.

After you have completed all of your selections for date and time, press the shutter button and the mode button at the same time to save the settings and exit.

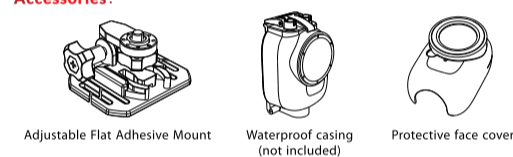


Specification

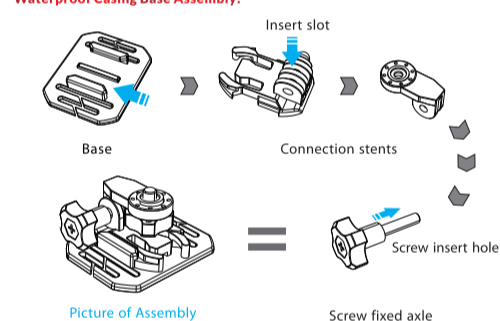
Item	Specifications
Video Resolution	1080p @30 frames per second, 720p @60 frames per second.
Video file format	H.264 MOV
Audio	Yes, Mono
Photo Resolution	12.0 Megapixels
Photo format	JPEG
Internal memory	256MB
External memory	Micro SDHC Class 6+ up to 32GB
Sensor	3MP sensor
Lens	F/3.2
Field of View	135 degree
Lens focus	0.4m to infinite
Shutter speed	1/2 to 1/8000 second
USB	2.0 High Speed
HDMI	Mini HDMI output
Battery Power	1050mAh
WiFi	Yes

Accessory installation

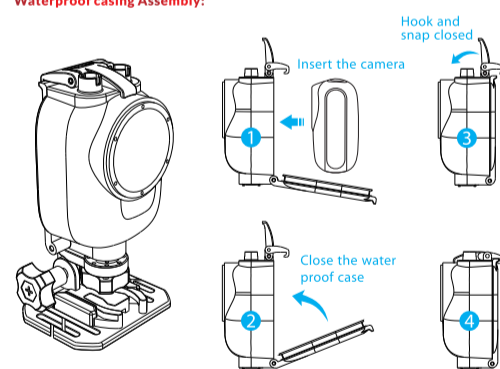
Accessories:



Waterproof Casing Base Assembly:



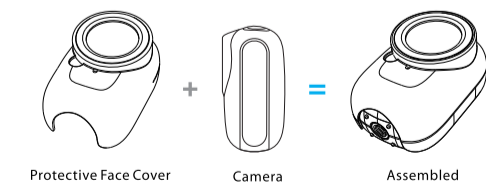
Waterproof casing Assembly:



Description:

The waterproof housing for the Ego HD can allow you to use the camera in a variety of environments. The flat adhesive mount connects directly to the base of the housing and allows you a great amount of versatility and mounting options.

Protective Face Cover Assembly:



Warning:

Please use care to follow the correct installation steps for the waterproof housing to avoid damage to the camera from immersion.

- Keep the sticking area clean.
- The flat adhesive mount needs to attach to a smooth surface.
- Apply the adhesive mount at room temperature.
- Let the mount air-dry for 24 hours before use.

