


	Note! Bemærk! Achtung!	A noter Attentie! Obs!	¡Atención! Attenzione! Atenção!	Huomaa! 注意! Προσοχή!	Внимание! Megjegyzés! Uwaga!	Dikkat! Upozornění! Pozor!	Opomba! 注意! ملاحظة!
	Wrong Forkert Falsch!	Faux Fout! Fel!	¡Incorrecto! Sbagliato! Errado!	Väärin! 错误! Λάθος!	Неправильно! Hibás! Nieprawidłowo!	Yanlış! Špatně! Nesprávne!	Napačno! 間違い! خطأ!
	Correct Korrekt Richtig!	Vrai Goed! Rätt!	¡Correcto! Giusto! Correto!	Oikein! 正确! Σωστό!	Правильно! Megfelelő! Prawidłowo!	Doğru! Správně! Správne!	Pravilno! 正しい! صحيح!

IMPORTANT SAFETY INSTRUCTIONS!

1. READ these instructions.
2. KEEP these instructions.
3. HEED all warnings.
4. FOLLOW all instructions.
5. DO NOT use this apparatus near water.
6. CLEAN ONLY with dry cloth.
7. DO NOT block any ventilation openings. Install in accordance with the manufacturer's instructions.
8. Do not install near any heat sources such as radiators, heat registers, stoves, or other apparatus (including amplifiers) that produce heat.
9. ONLY USE attachments/accessories specified by the manufacturer.
10. USE only with a cart, stand, tripod, bracket, or table specified by the manufacturer, or sold with the apparatus. When a cart is used, use caution when moving the cart/apparatus combination to avoid injury from tip-over. 
11. DO NOT expose this apparatus to dripping or splashing and ensure that no objects filled with liquids, such as vases, are placed on the apparatus.



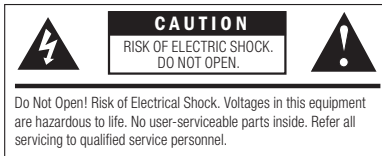
The exclamation point, within an equilateral triangle, is intended to alert the user to the presence of important operating and maintenance (servicing) instructions in the literature accompanying the product.



The lightning flash with arrowhead symbol within an equilateral triangle, is intended to alert the user to the presence of uninsulated "dangerous voltage" within the product's enclosure that may be of sufficient magnitude to constitute a risk of electrical shock to persons.

WARNING: To reduce the risk of fire or electrical shock, do not expose this apparatus to rain or moisture.

WARNING: No naked flame sources – such as candles – should be placed on the product.



EU COMPLIANCE INFORMATION:

Eligible to bear the CE mark, Conforms to European Union EMC Directive 2004/108/EC.

WEEE NOTICE

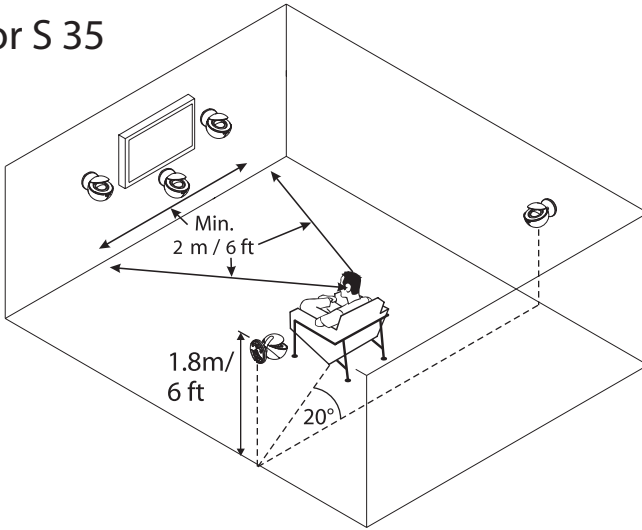
Note: This mark applies only to countries within the European Union (EU) and Norway.



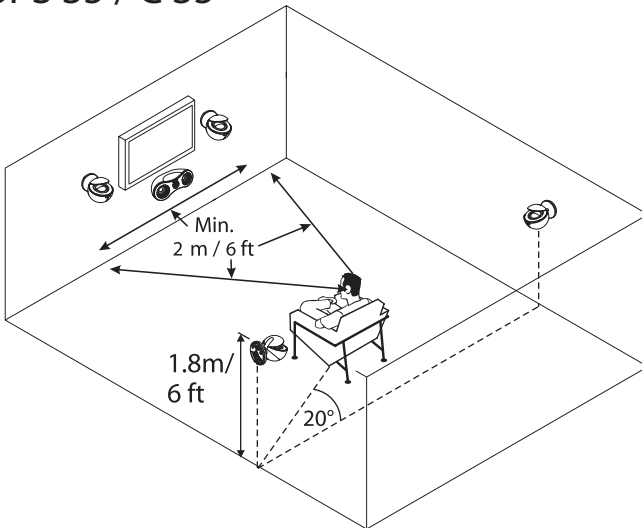
This appliance is labeled in accordance with European Directive 2002/96/EC concerning waste electrical and electronic equipment (WEEE). This label indicates that this product should not be disposed of with household waste. It should be deposited at an appropriate facility to enable recovery and recycling.

1 Placement

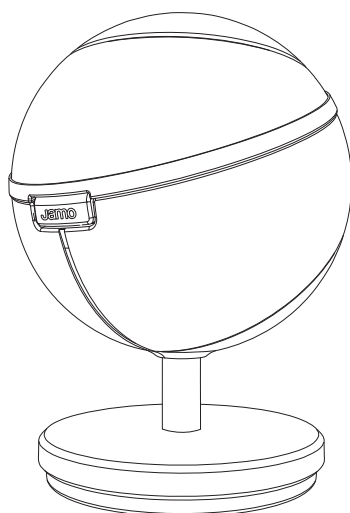
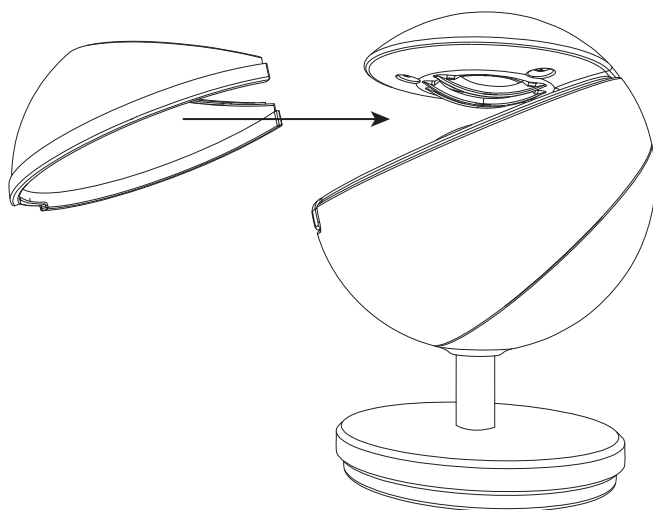
S 25 or S 35



S 25 or S 35 / C 35

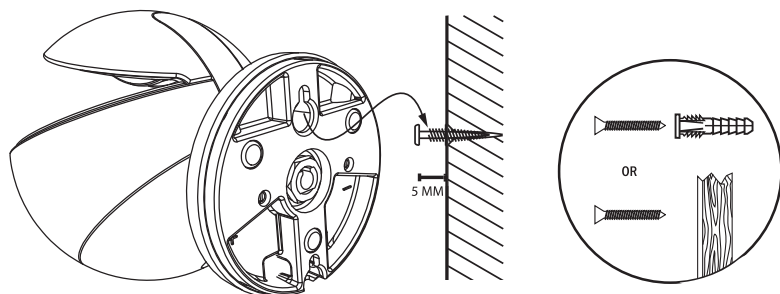
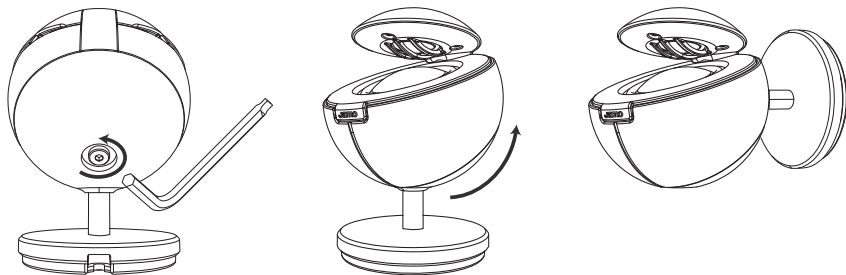


2 Grille

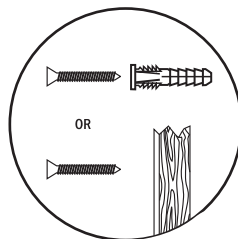
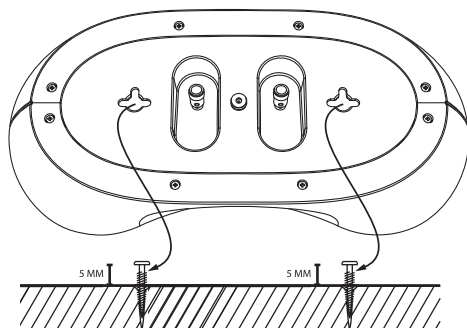
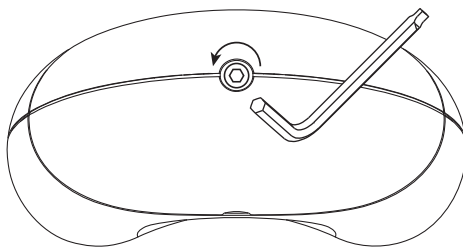
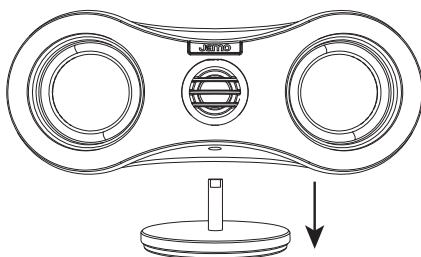
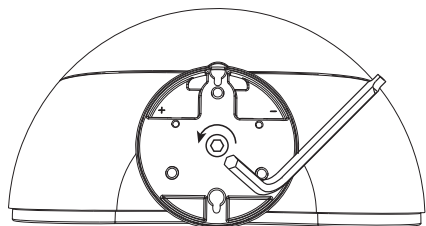


3 Mounting

S 25 or S 35

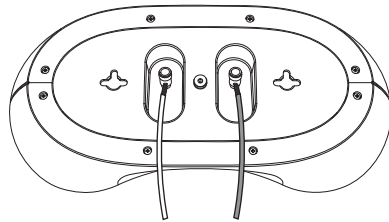
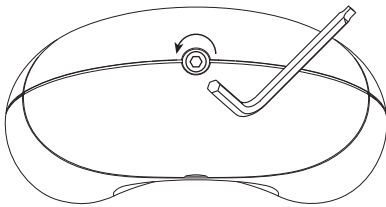
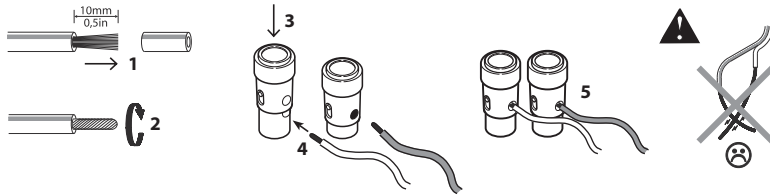


C 35

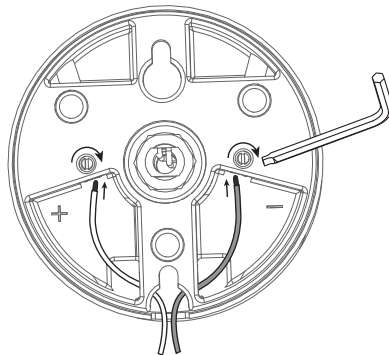
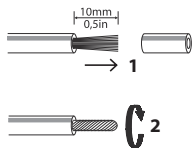


4 Connecting

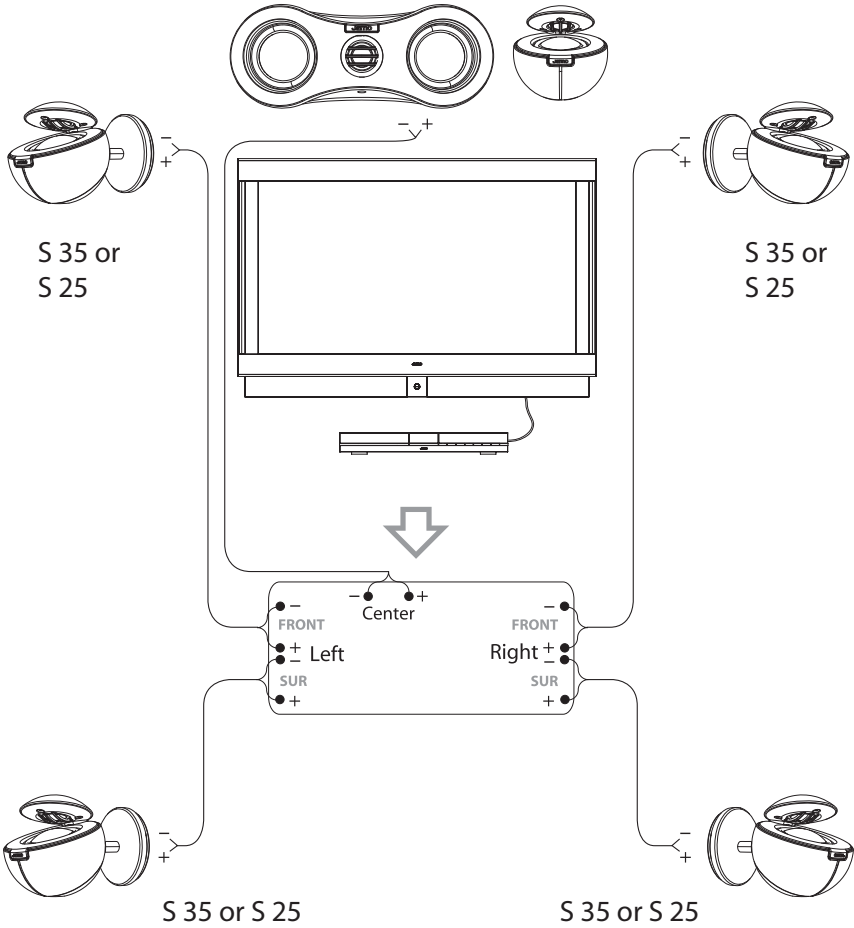
C 35



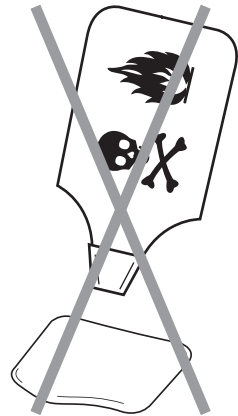
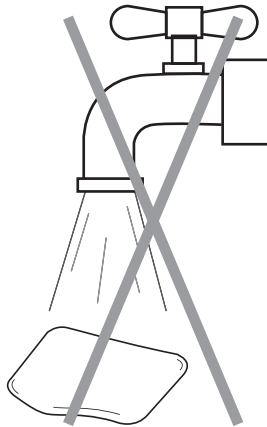
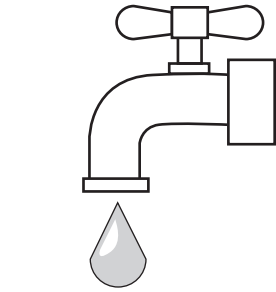
S 25 or S 35



C 35 or S 35 or S 25



5 Care



A/V RECEIVER SETTINGS	S25	S35	C35
Speaker Size	Small	Small	Small
Crossover Frequency	150Hz – 200Hz	120Hz – 150Hz	100Hz – 120Hz

*We recommend always using a subwoofer with any configuration of Jamo 360 speaker models.

*Please ensure that none of the Jamo 360 models are set to a speaker size of "Large" or are operated with a full range of frequencies.

RÉGLAGES DU RÉCEPTEUR A/V	S25	S35	C35
Taille d'enceinte	Petite	Petite	Petite
Fréquence de coupure	150 Hz à 200 Hz	120 Hz à 150 Hz	100 Hz à 120 Hz

*Nous recommandons de toujours utiliser un caisson de graves avec toute configuration des modèles d'enceintes Jamo 360.

*Veuillez vous assurer qu'aucun des modèles Jamo 360 n'est défini à une taille d'enceinte de taille « Large » ou n'est configuré pour fonctionner à la pleine gamme de fréquences.

CONFIGURACIONES DE RECEPTORES DE A/V	S25	S35	C35
Tamaño de altavoz	Pequeño	Pequeño	Pequeño
Frecuencia de crossover	150 Hz a 200 Hz	120 Hz a 150 Hz	100 Hz a 120 Hz

* Recomendamos incorporar siempre un subwoofer en toda configuración de modelos de altavoz Jamo 360.

* Asegúrese de que ninguno de los modelos Jamo 360 se configure con tamaño de altavoz Grande (Large) o se haga funcionar con gama completa de frecuencias.

A/V-RECEIVER-EINSTELLUNGEN	S25	S35	C35
Lautsprechergröße	„Small“ (Klein)	„Small“ (Klein)	„Small“ (Klein)
Crossover-Frequenz	150 Hz – 200 Hz	120 Hz – 150 Hz	100 Hz – 120 Hz

*Wir empfehlen, immer einen Subwoofer in einer Konfiguration von Jamo 360-Lautsprechermodellen zu verwenden.

*Stellen Sie bitte sicher, dass keines der Jamo 360-Modelle auf die Lautsprechergröße „Large“ (Groß) eingestellt oder mit dem vollen Frequenzbereich verwendet wird.

AJUSTES DO RECEIVER DE A/V:	S25	S35	C35
Tamanho da caixa acústica	Pequena (Small)	Pequena (Small)	Pequena (Small)
Frequência de crossover	150Hz – 200Hz	120Hz – 150Hz	100Hz – 120Hz

*Recomendamos sempre usar um subwoofer com qualquer configuração de modelos de caixas acústicas Jamo 360.

*Certifique-se de que nenhum dos modelos Jamo 360 estejam configurados para um tamanho de caixa acústica "Grande" (Large) ou sejam operados com uma faixa completa de frequências.

A/V 接收器设置	S25	S35	C35
音箱规格	小	小	小
混音频率	150Hz – 200Hz	120Hz – 150Hz	100Hz – 120Hz

*我们建议始终与任何配置的 Jamo 360 音箱型号配合使用一个低音炮。

*请确保, 任何 Jamo 360 型号都不得将规格设置为“大”或以满频工作。

Jamo[®]

Jamo Corporate Office: 3502 Woodview Trace, Indianapolis, IN USA 46268-1104

A wholly-owned subsidiary of VOXX International Corporation

jamo.com 1-800-554-7724

©2012 Klipsch Group, Inc. All Rights Reserved.

Jamo is a registered trademark of Klipsch Group, Inc.

Engineered by Klipsch Group, Inc., USA. Product of China