

ONKYO®

Stereo Receiver

TX-8030

Instruction Manual

Thank you for purchasing an Onkyo Stereo Receiver.
Please read this manual thoroughly before making
connections and plugging in the unit.
Following the instructions in this manual will enable
you to obtain optimum performance and listening
enjoyment from your new Stereo Receiver.
Please retain this manual for future reference.

Contents

IntroductionEn-2

ConnectionsEn-9

Enjoying Audio Sources..... En-17

Appendix
Troubleshooting En-37
Specifications En-39

WARNING:

TO REDUCE THE RISK OF FIRE OR ELECTRIC SHOCK, DO NOT EXPOSE THIS APPARATUS TO RAIN OR MOISTURE.

CAUTION:

TO REDUCE THE RISK OF ELECTRIC SHOCK, DO NOT REMOVE COVER (OR BACK). NO USER-SERVICEABLE PARTS INSIDE. REFER SERVICING TO QUALIFIED SERVICE PERSONNEL.



WARNING
RISK OF ELECTRIC SHOCK
DO NOT OPEN

AVIS
RISQUE DE CHOC ELECTRIQUE
NE PAS OUVRIR




The lightning flash with arrowhead symbol, within an equilateral triangle, is intended to alert the user to the presence of uninsulated "dangerous voltage" within the product's enclosure that may be of sufficient magnitude to constitute a risk of electric shock to persons.



The exclamation point within an equilateral triangle is intended to alert the user to the presence of important operating and maintenance (servicing) instructions in the literature accompanying the appliance.

Important Safety Instructions

1. Read these instructions.
2. Keep these instructions.
3. Heed all warnings.
4. Follow all instructions.
5. Do not use this apparatus near water.
6. Clean only with dry cloth.
7. Do not block any ventilation openings. Install in accordance with the manufacturer's instructions.
8. Do not install near any heat sources such as radiators, heat registers, stoves, or other apparatus (including amplifiers) that produce heat.
9. Do not defeat the safety purpose of the polarized or grounding-type plug. A polarized plug has two blades with one wider than the other. A grounding type plug has two blades and a third grounding prong. The wide blade or the third prong are provided for your safety. If the provided plug does not fit into your outlet, consult an electrician for replacement of the obsolete outlet.
10. Protect the power cord from being walked on or pinched particularly at plugs, convenience receptacles, and the point where they exit from the apparatus.
11. Only use attachments/accessories specified by the manufacturer.
12. Use only with the cart, stand, tripod, bracket, or table specified by the manufacturer, or sold with the apparatus. When a cart is used, use caution when moving the cart/apparatus combination to avoid injury from tip-over.


PORTABLE CART WARNING
S3125A
13. Unplug this apparatus during lightning storms or when unused for long periods of time.
14. Refer all servicing to qualified service personnel. Servicing is required when the apparatus has been damaged in any way, such as power-supply cord or plug is damaged, liquid has been spilled or objects have fallen into the apparatus, the apparatus has been exposed to rain or moisture, does not operate normally, or has been dropped.
15. Damage Requiring Service
Unplug the apparatus from the wall outlet and refer servicing to qualified service personnel under the following conditions:
 - A. When the power-supply cord or plug is damaged,
 - B. If liquid has been spilled, or objects have fallen into the apparatus,
 - C. If the apparatus has been exposed to rain or water,
 - D. If the apparatus does not operate normally by following the operating instructions. Adjust only those controls that are covered by the operating instructions as an improper adjustment of other controls may result in damage and will often require extensive work by a qualified technician to restore the apparatus to its normal operation,
 - E. If the apparatus has been dropped or damaged in any way, and
 - F. When the apparatus exhibits a distinct change in performance this indicates a need for service.
16. Object and Liquid Entry
Never push objects of any kind into the apparatus through openings as they may touch dangerous voltage points or short-out parts that could result in a fire or electric shock.
The apparatus shall not be exposed to dripping or splashing and no objects filled with liquids, such as vases shall be placed on the apparatus.
Don't put candles or other burning objects on top of this unit.
17. Batteries
Always consider the environmental issues and follow local regulations when disposing of batteries.
18. If you install the apparatus in a built-in installation, such as a bookcase or rack, ensure that there is adequate ventilation.
Leave 20 cm (8") of free space at the top and sides and 10 cm (4") at the rear. The rear edge of the shelf or board above the apparatus shall be set 10 cm (4") away from the rear panel or wall, creating a flue-like gap for warm air to escape.

Precautions

- 1. Recording Copyright**—Unless it's for personal use only, recording copyrighted material is illegal without the permission of the copyright holder.
- 2. AC Fuse**—The AC fuse inside the unit is not user-serviceable. If you cannot turn on the unit, contact your Onkyo dealer.
- 3. Care**—Occasionally you should dust the unit all over with a soft cloth. For stubborn stains, use a soft cloth dampened with a weak solution of mild detergent and water. Dry the unit immediately afterwards with a clean cloth. Don't use abrasive cloths, thinners, alcohol, or other chemical solvents, because they may damage the finish or remove the panel lettering.
- 4. Power**
WARNING
BEFORE PLUGGING IN THE UNIT FOR THE FIRST TIME, READ THE FOLLOWING SECTION CAREFULLY.
AC outlet voltages vary from country to country. Make sure that the voltage in your area meets the voltage requirements printed on the unit's rear panel (e.g., AC 230 V, 50 Hz or AC 120 V, 60 Hz).
The power cord plug is used to disconnect this unit from the AC power source. Make sure that the plug is readily operable (easily accessible) at all times.
Pressing **ON/STANDBY** to select Standby mode does not fully disconnect from the mains. If you do not intend to use the unit for an extended period, remove the power cord from the AC outlet.
- 5. Preventing Hearing Loss**
Caution
Excessive sound pressure from earphones and headphones can cause hearing loss.
- 6. Batteries and Heat Exposure**
Warning
Batteries (battery pack or batteries installed) shall not be exposed to excessive heat as sunshine, fire or the like.
- 7. Never Touch this Unit with Wet Hands**—Never handle this unit or its power cord while your hands are wet or damp. If water or any other liquid gets inside this unit, have it checked by your Onkyo dealer.
- 8. Handling Notes**
 - If you need to transport this unit, use the original packaging to pack it how it was when you originally bought it.
 - Do not leave rubber or plastic items on this unit for a long time, because they may leave marks on the case.
 - This unit's top and rear panels may get warm after prolonged use. This is normal.
 - If you do not use this unit for a long time, it may not work properly the next time you turn it on, so be sure to use it occasionally.

For British models

Replacement and mounting of an AC plug on the power supply cord of this unit should be performed only by qualified service personnel.

IMPORTANT

The wires in the mains lead are coloured in accordance with the following code:

Blue: Neutral

Brown: Live

As the colours of the wires in the mains lead of this apparatus may not correspond with the coloured markings identifying the terminals in your plug, proceed as follows:

The wire which is coloured blue must be connected to the terminal which is marked with the letter N or coloured black.

The wire which is coloured brown must be connected to the terminal which is marked with the letter L or coloured red.

IMPORTANT

The plug is fitted with an appropriate fuse. If the fuse needs to be replaced, the replacement fuse must be approved by ASTA or BSI to BS1362 and have the same ampere rating as that indicated on the plug. Check for the ASTA mark or the BSI mark on the body of the fuse.

If the power cord's plug is not suitable for your socket outlets, cut it off and fit a suitable plug. Fit a suitable fuse in the plug.

For European Models

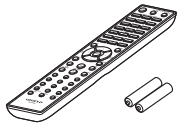
Declaration of Conformity	
We, ONKYO EUROPE ELECTRONICS GmbH LIEGNITZERSTRASSE 6, 82194 GROEBENZELL, GERMANY	
declare in own responsibility, that the ONKYO product described in this instruction manual is in compliance with the corresponding technical standards such as EN60065, EN55013, EN55020 and EN61000-3-2, -3-3.	
GROEBENZELL, GERMANY	 K. MIYAGI
ONKYO EUROPE ELECTRONICS GmbH	

Contents

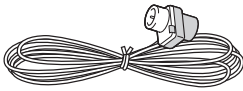
Important Safety Instructions	2	Advanced Setup	27
Precautions.....	3	Changing the Advanced Setup Settings	27
Supplied Accessories	5	Advanced Setup Menu	28
Installing the Batteries	5	Zone 2	29
Aiming the Remote Controller	5	Connecting Zone 2	29
Features	5	Zone 2 Out Settings	29
Getting to Know the Receiver	6	Using Zone 2	30
Front Panel	6	Connecting Components Not Reached by the	
Rear Panel	7	Remote Controller Signals (IR IN/OUT)	32
Display	7	If Remote Controller Signal Does Not Reach the	
Remote Controller	8	Receiver Remote Sensor	32
Connecting the Receiver	9	If Remote Controller Signal Does Not Reach Other	
Speaker Connection Precautions	9	Components	32
Connecting the Speaker Cables	9	iPod/iPhone Playback via Onkyo Dock	33
Connecting a Powered Subwoofer	10	Using the Onkyo Dock	33
Connecting a Power Amplifier	10	Controlling Your iPod/iPhone	34
Configuring the Speaker Impedance	11	Controlling Other Components	36
Connecting Antennas	12	Troubleshooting	37
Connecting Your Components	13	Power	37
About AV Connections	13	Audio	37
Connecting Onkyo RI Components	15	Video	37
Connecting a Recording Component	16	Tuner	37
Connecting the Power Cord	16	Remote Controller	37
Turning On the Receiver	17	UP-A1 Dock for iPod/iPhone	38
Turning On and Standby	17	Recording	38
Changing the Input Display	17	Others	38
Enjoying Audio Sources	18	Specifications	39
Selecting the Speaker Set	18		
Muting the Receiver			
(remote controller only)	18		
Using Headphones	18		
Setting the Display Brightness			
(remote controller only)	19		
Using the Sleep Timer			
(remote controller only)	19		
Using the Tone and Balance Controls	19		
Setting the DIRECT Function	20		
Enjoying the Pure Audio Sound	20		
Recording	21		
Recording the Input Source	21		
Recording Audio and Video from Separate			
Sources	21		
Listening to the Radio	22		
Listening to AM/FM Stations	22		
Using RDS	25		

Supplied Accessories

Make sure you have the following accessories:



Remote controller and two batteries (AAA/R03)



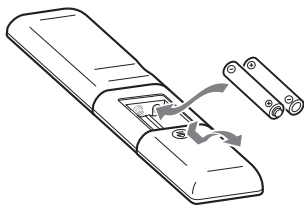
Indoor FM antenna



AM loop antenna

* In catalogs and on packaging, the letter at the end of the product name indicates the color. Specifications and operation are the same regardless of color.

Installing the Batteries

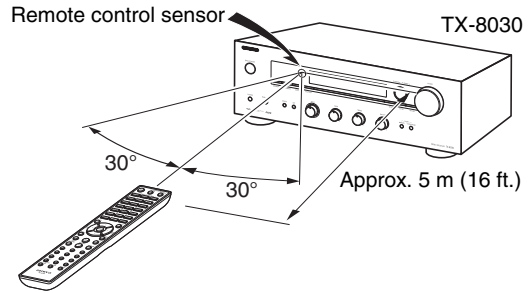


Notes:

- If the remote controller doesn't work reliably, try replacing the batteries.
- Don't mix new and old batteries or different types of batteries.
- If you intend not to use the remote controller for a long time, remove the batteries to prevent damage from leakage or corrosion.
- Expired batteries should be removed as soon as possible to prevent damage from leakage or corrosion.

Aiming the Remote Controller

When using the remote controller, point it toward the receiver's remote control sensor, as shown below.

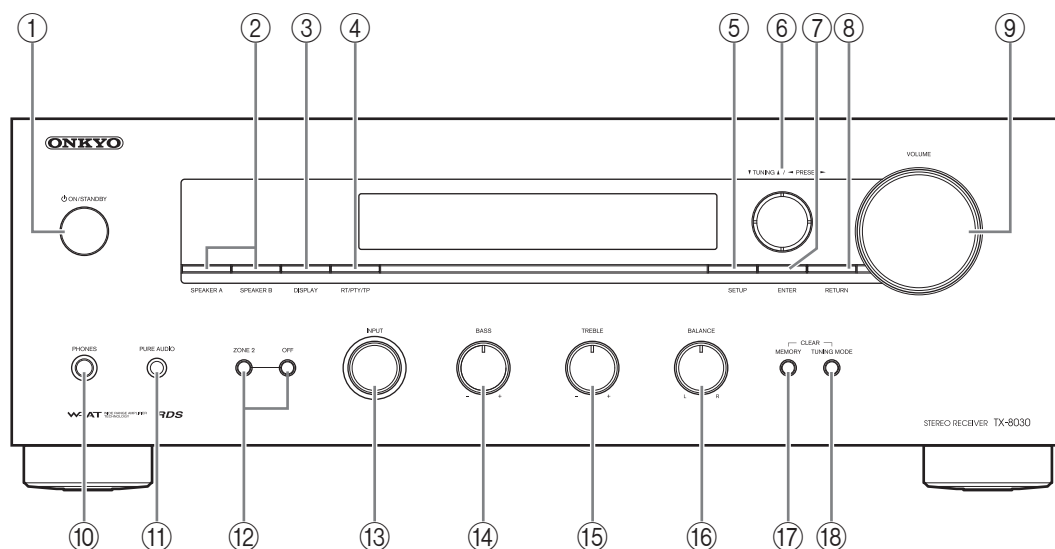


Features

- Clean Design Aluminum Front Panel
- WRAT (Wide Range Amplifier Technology)
- Discrete Amplifier with Massive Transformer
- Zone 2 Capability
- Gold Plated Terminals
- 130 Watts/channel @ 6 Ω (IEC)
- AM/FM 40 Presets
- RDS (PS/PTY/RT/TP)
- Pure Audio Mode
- Direct Mode
- Anti-vibration Oval Chassis
- Phono Equalizer
- RI Input
- 1 IR Input and 1 Output
- Universal Port
- Headphone Output
- 2.1 ch Pre-outs

Getting to Know the Receiver

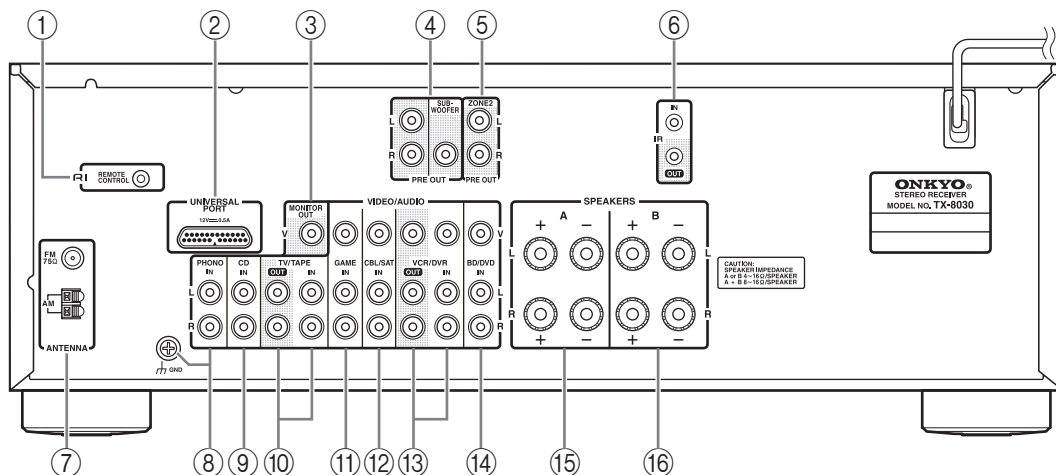
Front Panel



For detailed information, see the pages in parentheses.

- | | |
|--|---|
| ① ON/STANDBY button (17, 30, 37) | ⑩ PHONES jack (18) |
| ② SPEAKERS A and B switches (18) | ⑪ PURE AUDIO button and indicator (20) |
| ③ DISPLAY button (24) | ⑫ ZONE 2, OFF buttons (30) |
| ④ RT/PTY/TP button (26) | ⑬ INPUT selector (18, 21, 22, 26, 30) |
| ⑤ SETUP button (11, 27, 29) | ⑭ BASS control (19) |
| ⑥ TUNING ▲/▼, PRESET ◀/▶ buttons (22, 23, 26, 27) | ⑮ TREBLE control (19) |
| ⑦ ENTER button (26) | ⑯ BALANCE control (19) |
| ⑧ RETURN button (27) | ⑰ MEMORY button (23) |
| ⑨ VOLUME control (18) | ⑱ TUNING MODE button (22, 24, 37) |

Rear Panel

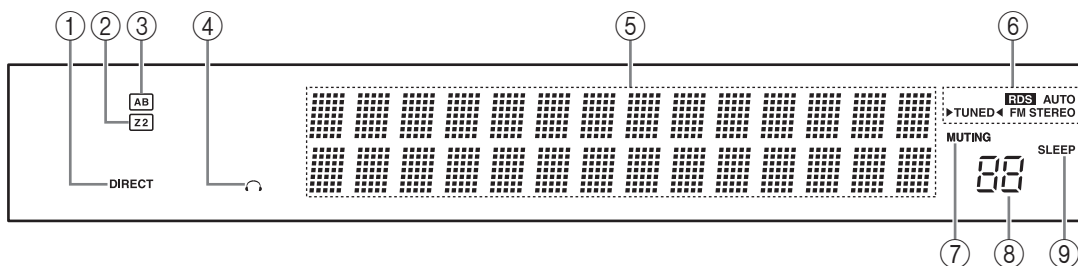


For detailed information, see the pages in parentheses.

- | | |
|---|--|
| ① RI REMOTE CONTROL jack (15) | ⑩ TV/TAPE IN/OUT jacks (14, 16) |
| ② UNIVERSAL PORT jack (14) | ⑪ GAME IN jacks (14) |
| ③ MONITOR OUT jack (14) | ⑫ CBL/SAT IN jacks (14) |
| ④ PRE OUT jacks (10) | ⑬ VCR/DVR IN/OUT jacks (14, 16) |
| ⑤ ZONE 2 PRE OUT jacks (29) | ⑭ BD/DVD IN jacks (14) |
| ⑥ IR IN/OUT jacks (32) | ⑮ SPEAKERS A terminals (9) |
| ⑦ FM ANTENNA jack and AM ANTENNA terminal (12) | ⑯ SPEAKERS B terminals (9) |
| ⑧ PHONO IN (MM) and GND terminal (14) | |
| ⑨ CD IN jacks (14) | |

See “Connecting the Receiver” for connection (→ pages 9 to 16).

Display

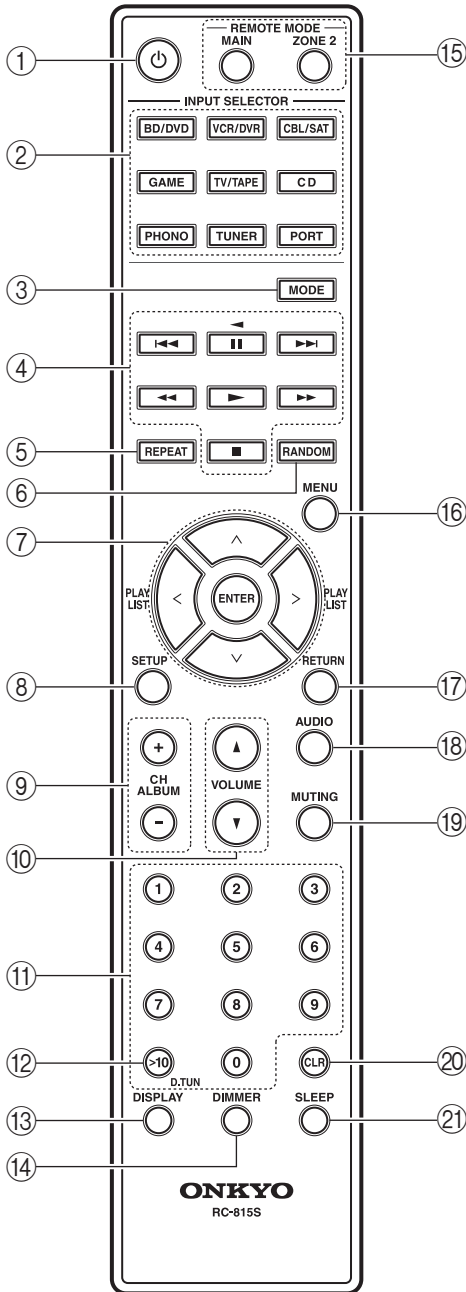


For detailed information, see the pages in parentheses.

- | | |
|-------------------------------------|---------------------------------------|
| ① DIRECT indicator (20) | ⑤ Tuning indicators |
| ② Z2 (Zone 2) indicator (30) | • RDS indicator (25) |
| ③ A/B speaker indicator (18) | • AUTO indicator (22) |
| ④ Headphone indicator | • TUNED indicator (22) |
| ⑤ Message area | • FM STEREO indicator (22, 37) |
| | ⑦ MUTING indicator (37) |
| | ⑧ Volume level (18) |
| | ⑨ SLEEP indicator (19, 28) |

Remote Controller

For detailed information, see the pages in parentheses.



- ① **⏻ button (11, 17, 30)**
- ② **INPUT SELECTOR buttons (17, 18, 21, 22, 30, 35, 36)**
- ③ **MODE button (35, 36)**
- ④ **Control buttons (35, 36)**
- ⑤ **REPEAT button (35, 36)**
- ⑥ **RANDOM button (35, 36)**
- ⑦ **Arrow [^]/[v]/[<]/[>] and ENTER buttons (11, 22, 27, 29, 35, 36)**
- ⑧ **SETUP button (11, 27, 29)**
- ⑨ **CH/ALBUM buttons (24, 35, 36)**
- ⑩ **VOLUME ▲/▼ buttons (18, 31)**
- ⑪ **Number buttons (23, 36)**
- ⑫ **>10/D.TUN button (23)**
- ⑬ **DISPLAY button (24, 35, 36)**
- ⑭ **DIMMER button (19)**
- ⑮ **REMOTE MODE buttons (8, 30, 31, 36)**
- ⑯ **MENU button (36)**
- ⑰ **RETURN button (27, 35, 36)**
- ⑱ **AUDIO button (20)**
- ⑲ **MUTING button (18, 31)**
- ⑳ **CLR button (24)**
- ㉑ **SLEEP button (19)**

Using the REMOTE MODE buttons



You can use this remote controller's Zone 2 capability to control a Zone 2 device. To control a Zone 2 device, start by pressing the REMOTE MODE [ZONE 2] button. After you've finished operating the Zone 2 device, and would like to operate this receiver once again, press the REMOTE MODE [MAIN] button.

If the expected operation does not occur even though the remote controller is pointed toward the receiver, it may be that Zone 2 is selected. Please press the REMOTE MODE [MAIN] button. Once you've pressed the REMOTE MODE [MAIN] button, there's no need to press this button again before each operation; you can simply use the remote controller to operate the receiver as usual. Similarly, once you've pressed the REMOTE MODE [ZONE 2] button, you can continue operating the Zone 2 device without having to press this button again before each operation.

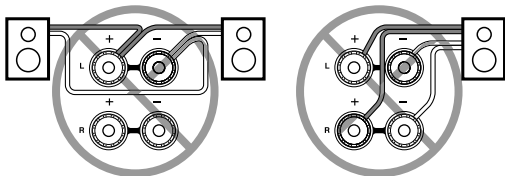
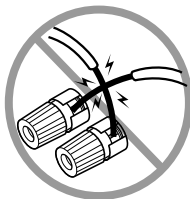
Connecting the Receiver

⚠ **Disconnect the power cord from the electrical outlet before making any connections.**

Speaker Connection Precautions

The receiver allows you to connect two sets of speakers. When two sets of speakers are connected, you can select which speaker set outputs sound or use both sets to output sound simultaneously. (→ page 18 about “Speakers A” and “Speakers B”)

- When you connect one set of speakers to either SPEAKERS A or SPEAKERS B terminal posts, or when you connect two sets of speakers to both speaker terminal posts and output sound only from either speaker set, use speakers whose impedance is 4 to 16 Ω, and set the speaker impedance setting on the receiver to 4 or 6 Ω (→ page 11). When the impedance of the speaker to be used is less than 6 Ω, set the speaker impedance to 4 Ω.
- When you connect speakers to both SPEAKERS A and SPEAKERS B terminal posts and output sound from both speaker sets simultaneously, use speakers whose impedance is 8 to 16 Ω. Set the speaker impedance setting on the receiver to 4 Ω.
- Read the instructions supplied with your speakers.
- Pay close attention to speaker wiring polarity. In other words, connect positive (+) terminals only to positive (+) terminals, and negative (–) terminals only to negative (–) terminals. If you get them the wrong way around, the sound will be out of phase and will sound unnatural.
- Unnecessarily long or very thin speaker cables may affect the sound quality and should be avoided.
- Be careful not to short the positive and negative wires. Doing so may damage the receiver.
- Don't connect more than one cable to each speaker terminal. Doing so may damage the receiver.
- Don't connect a speaker to more than one pair of speaker terminals.

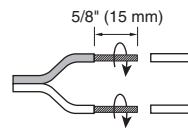


Note:

If you make an incorrect setting for the speakers or the impedance values, the built-in protection circuit may be activated resulting in no sound output from speakers.

Connecting the Speaker Cables

- 1 Strip about 5/8" (15 mm) of insulation from the ends of the speaker cables, and twist the bare wires tightly, as shown.**



- 2 Unscrew the terminal.**



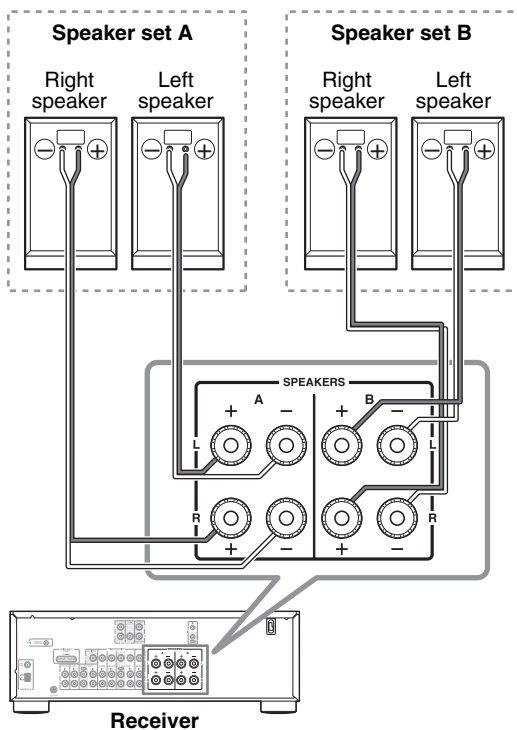
- 3 Fully insert the bare wire.**



- 4 Screw the terminal tight.**

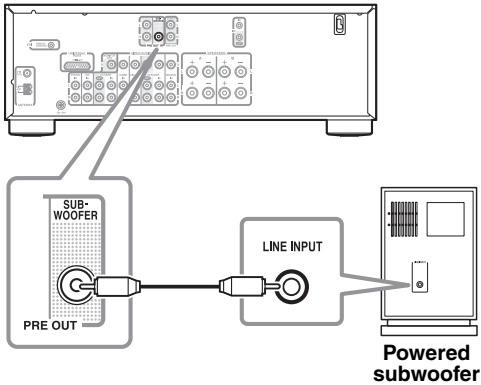


The following illustration shows which speaker should be connected to each pair of terminals.



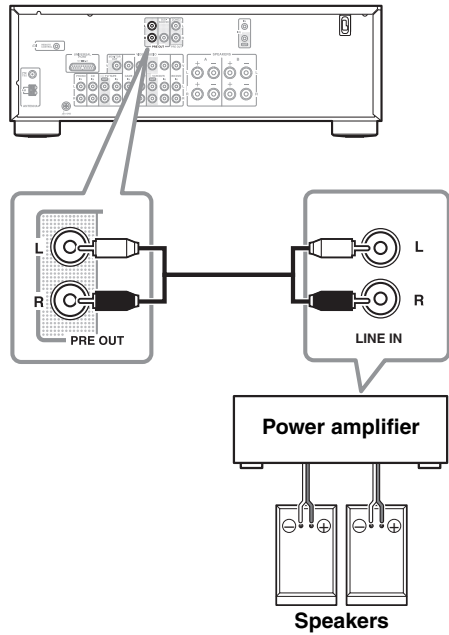
Connecting a Powered Subwoofer

Using a suitable cable, connect the receiver's PRE OUT: SUBWOOFER to the input on your powered subwoofer. If your subwoofer is unpowered and you're using an external amplifier, connect the PRE OUT: SUBWOOFER to the amp's input.



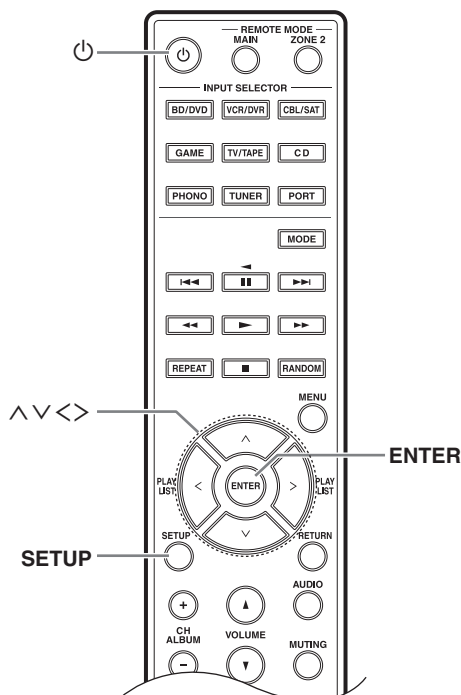
Connecting a Power Amplifier

If you want to use a more powerful power amplifier and use the receiver as a preamp, connect the receiver's PRE OUT: L, R to the amp's input, and connect all speakers to the power amplifier.



Configuring the Speaker Impedance

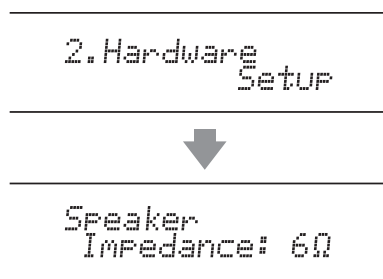
On the receiver, the factory default for speaker impedance is “6 Ω”. If you need to change the speaker impedance setting, read “Speaker Connection Precautions” on page 9 carefully before performing the procedure below.



Note:

Be sure to minimize the volume level on the receiver before configuring the speaker impedance.

- 1** Press the [⏻] button to turn on the power.
- 2** Press the [SETUP] button on the remote controller.
- 3** Use the arrow [^]/[v] buttons to select “2. Hardware Setup,” and then press [ENTER].



- 4** Change the impedance value to “4 Ω” using the arrow [<]/[>] buttons.
- 5** Press the [SETUP] button on the remote controller to complete the setting.

If you want to change the impedance setting back to the factory default setting of 6 Ω, follow the same procedure described above.

Notes:

- This procedure can also be performed on the receiver by using [SETUP], TUNING [▲]/[▼], PRESET [◀]/[▶], and [ENTER].
- Press [RETURN] button to return to the previous menu.

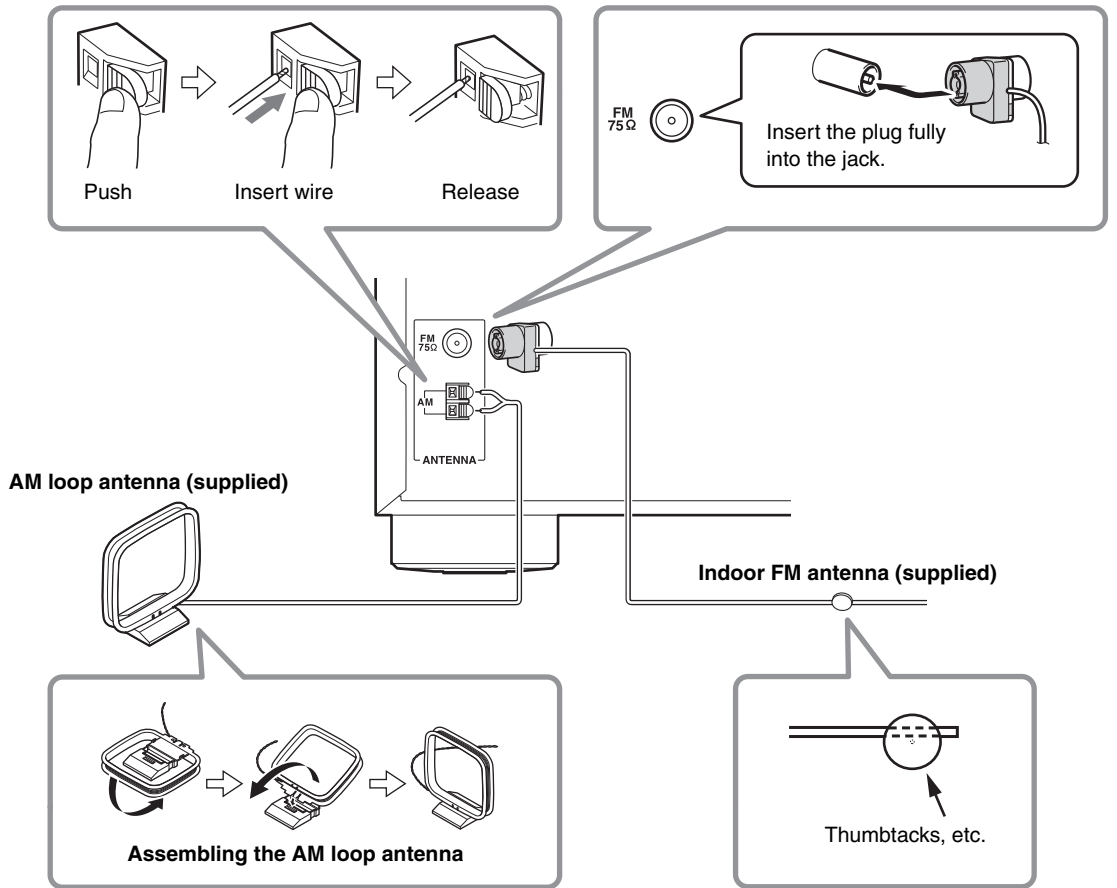
Setting example :

If you're using only one of the speaker sets connected to SPEAKERS A or B, choose the 4 Ω setting if each speaker's impedance is 4 Ω to less than 6 Ω, or choose the 6 Ω setting if each speaker's impedance is 6 Ω or more.

If you're using both of the speaker sets connected to SPEAKERS A and B, choose the 4 Ω setting if each speaker's impedance is 8 to 16 Ω.

Connecting Antennas

This section explains how to connect the supplied indoor FM antenna and AM loop antenna. The receiver won't pick up any radio signals if no antenna is connected, so you must connect the antenna to use the tuner.



Caution:
Be careful that you don't injure yourself when using thumbtacks.

Notes:

- Once your receiver is ready for use, you'll need to tune into a radio station and position the antenna to achieve the best possible reception.
- Keep the AM loop antenna as far away as possible from your receiver, TV, speaker cables, and power cords.
- Refer to "Hardware Setup" on page 28 for more information on switching the frequency setup.

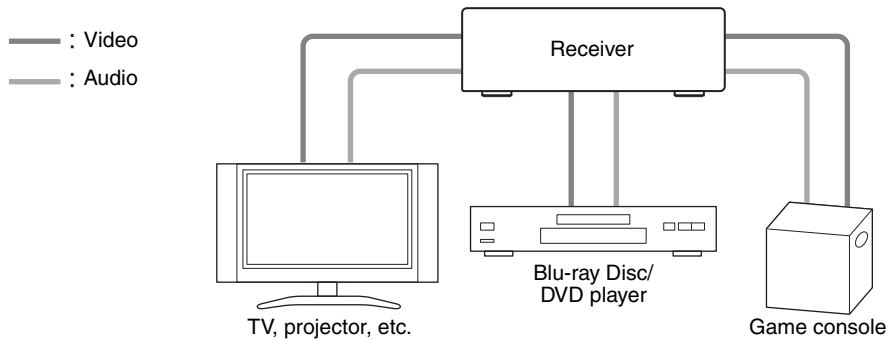
Tips:

- If you cannot achieve good reception with the supplied indoor FM antenna, try a commercially available outdoor FM antenna instead.
- If you cannot achieve good reception with the supplied indoor AM loop antenna, try using it with a commercially available outdoor AM antenna.

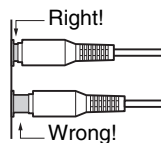
Connecting Your Components

About AV Connections

Connecting AV components





- Before making any AV connections, read the manuals supplied with your AV components.
- Don't connect the power cord until you've completed and double-checked all AV connections.
- Push plugs in all the way to make good connections (loose connections can cause noise or malfunctions).



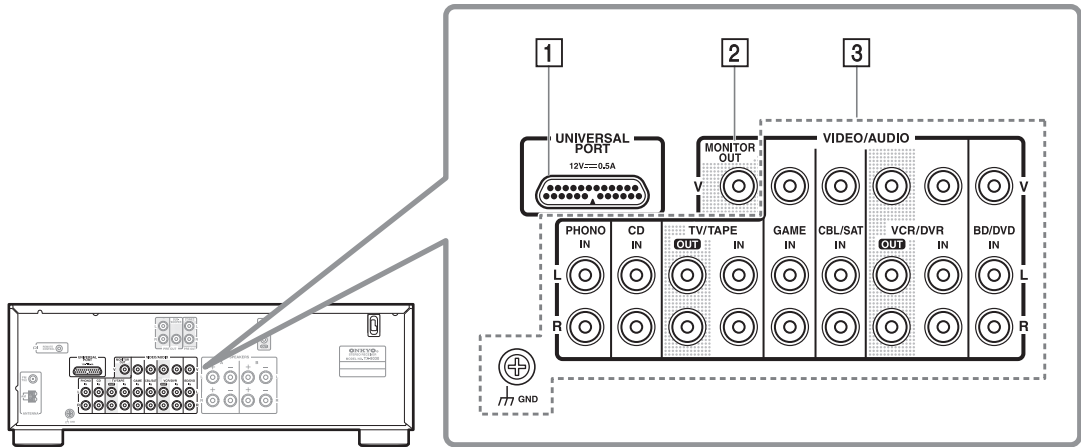
- To prevent interference, keep audio and video cables away from power cords and speaker cables.

AV Cables and Jacks

Signal	Cable	Jack	Description
Video	Composite video	 Yellow	Composite video is commonly used on TVs, VCRs, and other video equipment.
Audio	Analog audio (RCA)	 White Red	Analog audio connections (RCA) carry analog audio.

Note:

- The receiver does not support SCART plugs.



No.	Jack/Port	Connectable components
1	UNIVERSAL PORT	Universal port option dock (UP-A1 etc.)
2	MONITOR OUT	TV, projector, etc.
3	BD/DVD IN	Blu-ray Disc/DVD player
	VCR/DVR IN	VCR or DVD recorder/digital video recorder, RI dock
	CBL/SAT IN	Satellite/cable set-top box, etc.
	GAME IN	Game console, RI dock
	TV/TAPE IN	TV, cassette tape deck, RI dock
	CD IN	CD player, Turntable
	PHONO IN	Turntable

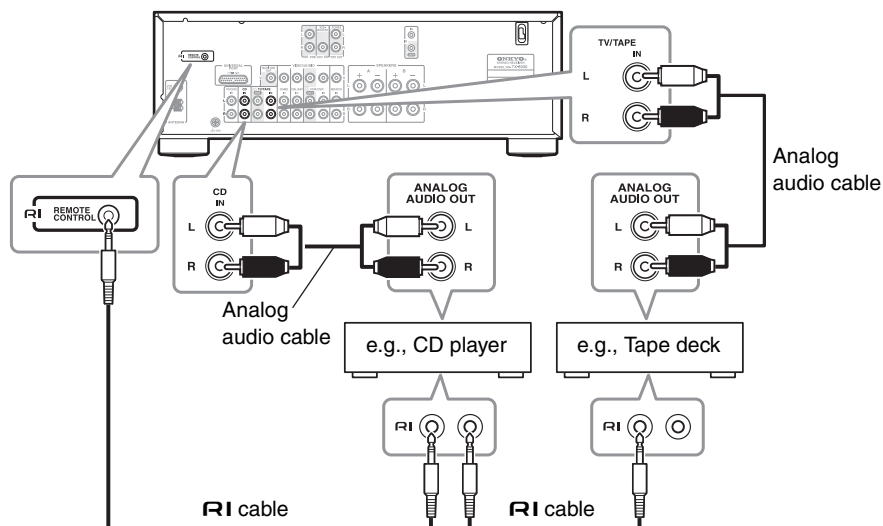
Notes:

- Refer to the connected component’s instruction manual for details.
- Connect a turntable (MM) that has a built-in phono preamp to CD IN, or connect it to PHONO IN with the phono preamp turned off. If your turntable (MM) doesn’t have a phono preamp, connect it to PHONO IN. If your turntable has a moving coil (MC) type cartridge, you’ll need a commercially available MC head amp or MC transformer to connect to PHONO IN. See your turntable’s manual for details. If your turntable has a ground wire, connect it to the GND screw. With some turntables, connecting the ground wire may produce an audible hum. If this happens, disconnect it.
- Connection 1 and 3 lets you listen to and record audio from the external components while you are in Zone 2. You can listen to and record audio from the external components in the main room; you can listen to the audio in Zone 2 as well.
- If your Blu-ray Disc/DVD player has both main stereo and multichannel outputs, be sure to connect the main stereo output using connection 3.

■ **How to record a video source**

See “Recording” to make connections for video recording (→ page 21).

Connecting Onkyo RI Components



1 Make sure that each Onkyo component is connected with an analog audio cable (connection 3 in the hookup examples) (→ page 14).

2 Make the RI connection (see the illustration).

With **RI** (Remote Interactive), you can use the following special functions:

■ System On/Auto Power On

When you start playback on a component connected via **RI**, while the receiver is on Standby, the receiver will automatically turn on and select that component as the input source.

■ Direct Change

When playback is started on a component connected via **RI**, the receiver automatically selects that component as the input source.

■ Remote Control

You can use the receiver's remote controller to control your other **RI**-capable Onkyo components, pointing the remote controller at the receiver's remote control sensor instead of the component.

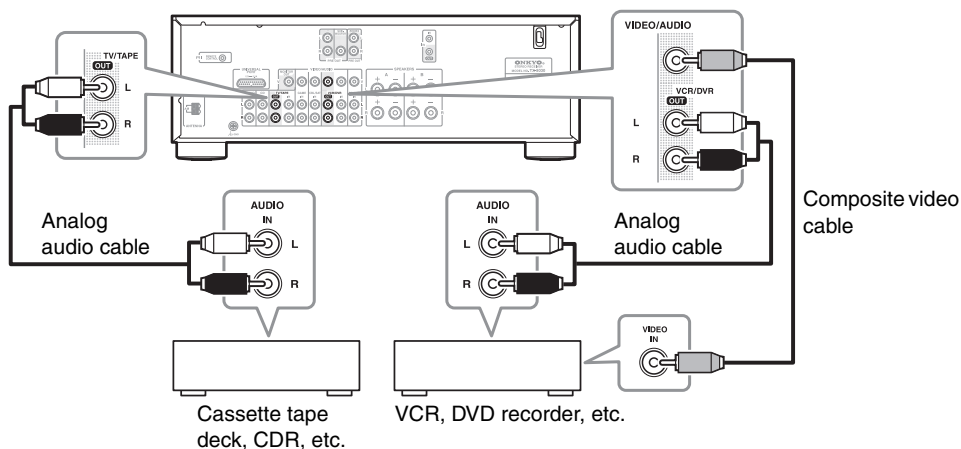
Notes:

- Use only **RI** cables for **RI** connections. **RI** cables are supplied with Onkyo players (CD, etc.).
- Some components have two **RI** jacks. You can connect either one to the receiver. The other jack is for connecting additional **RI**-capable components.

- Connect only Onkyo components to **RI** jacks. Connecting other manufacturer's components may cause a malfunction.
- Some components may not support all **RI** functions. Refer to the manuals supplied with your Onkyo components.
- While Zone 2 is on, the System On/Auto Power On and Direct Change **RI** functions do not work.

Connecting a Recording Component

See “Recording” for an explanation of recording (→ page 21).



Notes:

- The receiver must be turned on for recording. Recording is not possible while it's in Standby mode.
- If you want to record directly from your TV or playback VCR to the recording VCR without going through the receiver, connect the TV/VCR's audio and video outputs directly to the recording VCR's audio and video inputs. See the manuals supplied with your TV and VCR for details.
- Video signals connected to composite video inputs can be recorded only via composite video outputs. If your TV/VCR is connected to a composite video input, the recording VCR must be connected to a composite video output.
- Copy-protected Blu-ray discs and DVDs cannot be recorded.
- Sources connected to a digital input cannot be recorded. Only analog inputs can be recorded.
- DTS signals will be recorded as noise, so don't attempt analog recording of DTS CDs or LDs.
- If Pure Audio is turned on, no video signal is output from the receiver. If you want to make recordings, select another listening mode.

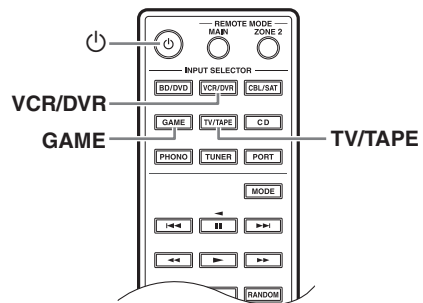
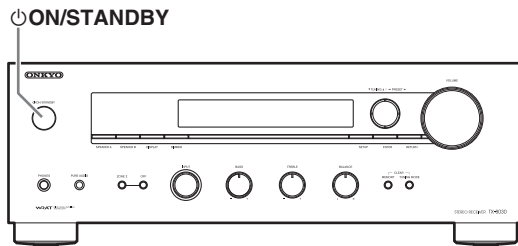
Connecting the Power Cord

Connect the receiver's power cord to a suitable wall outlet.

Notes:

- **Before connecting the power cord, connect all of your speakers and AV components.**
- Turning on the receiver may cause a momentary power surge that might interfere with other electrical equipment on the same circuit. If this is a problem, plug the receiver into a different branch circuit.

Turning On the Receiver



Turning On and Standby

**Press the [⏻ ON/STANDBY] button.
Alternatively, press the remote controller's [⏻] button.**

The receiver comes on, and the display lights up.

To turn the receiver off, press the [⏻ ON/STANDBY] button, or press the remote controller's [⏻] button. The receiver will enter Standby mode. To prevent any loud surprises when you next turn on the receiver, always turn down the volume before you turn it off.

Note:

If you can't use the remote controller to turn the receiver on/off, make sure that REMOTE MODE is set correctly. (→ page 8)

Changing the Input Display

For the [TV/TAPE], [VCR/DVR] and [GAME] buttons, the input display name can be changed as shown below. When the input display name has been changed for one of the buttons below, the display name for the other button cannot be changed.

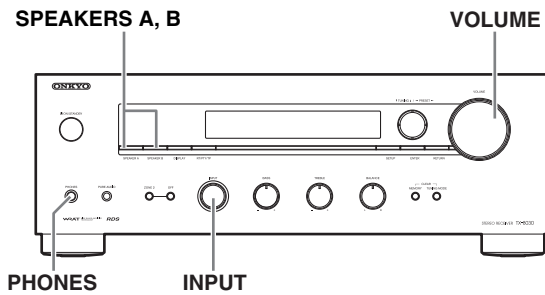
- [TV/TAPE] button : TV/TAPE ↔ DOCK
- [VCR/DVR] button : VCR/DVR ↔ DOCK
- [GAME] button : GAME ↔ DOCK

1 Press the remote controller's appropriate INPUT SELECTOR button.

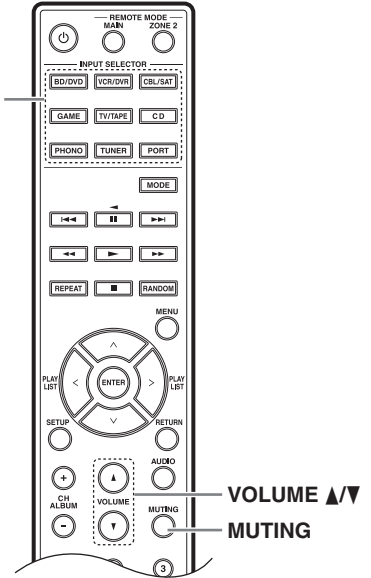
The selected input name appears in the display.

2 Press and hold down the INPUT SELECTOR button selected in the Step 1 above for approximately 3 seconds to change the display name.

Enjoying Audio Sources

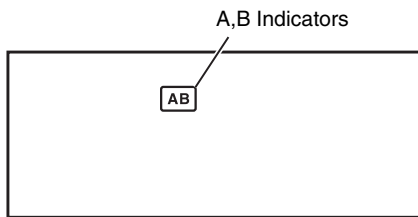


INPUT
SELECTOR



Selecting the Speaker Set

- 1 Rotate the receiver's [INPUT] selector, or press the remote controller's INPUT SELECTOR buttons to select the source you want to hear.
- 2 Use the [SPEAKERS A] and [SPEAKERS B] buttons on the receiver to select the speaker set that you want to use.
The A and B speaker indicators show whether each speaker set is on or off.



- 3 Start playback on the selected component.
- 4 To adjust the volume, use the receiver's [VOLUME] control, or the remote controller's VOLUME [▲]/[▼] buttons.
Turn the control clockwise to turn up the volume or counterclockwise to turn down the volume.

Muting the Receiver (remote controller only)

You can temporarily mute the output of the receiver.

Press the remote controller's [MUTING] button.

The receiver is muted.

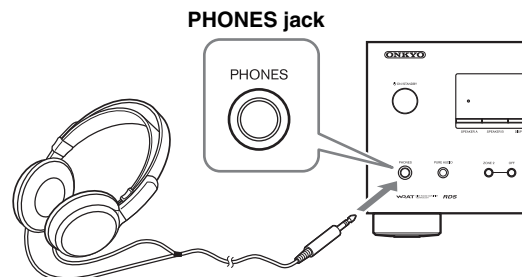
To unmute the receiver, press the [MUTING] button again.

Note:

The Mute function will be cancelled if the remote controller's [VOLUME] buttons are pressed or the receiver is set to Standby.

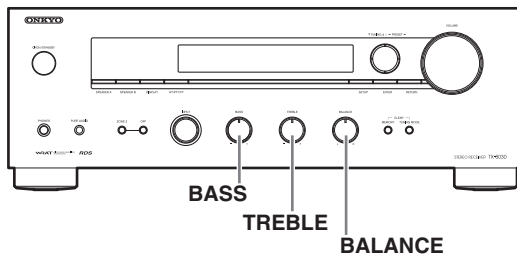
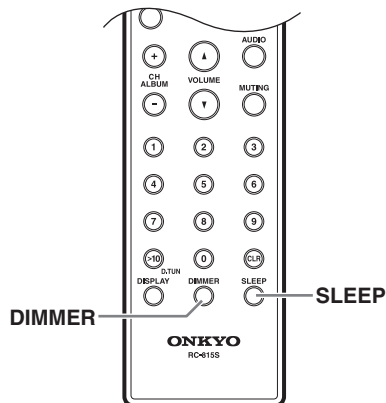
Using Headphones

You can connect a pair of stereo headphones (1/4-inch phone plug) to the receiver's PHONES jack for private listening.



Notes:

- Always turn down the volume before connecting your headphones.
- While the headphones plug is inserted in the PHONES jack, the speakers are turned off.



Setting the Display Brightness (remote controller only)

You can adjust the brightness of the display.

Press the remote controller's [DIMMER] button repeatedly to select: dim, dimmer, or normal brightness.

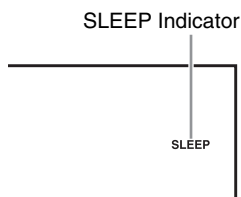
Using the Sleep Timer (remote controller only)

With the sleep timer, you can set the receiver so that it turns off automatically after a specified period.

Press the remote controller's [SLEEP] button repeatedly to select the required sleep time.

You can set the sleep time from 90 to 10 minutes in 10 minute steps.

The SLEEP indicator appears on the display when the sleep timer has been set, as shown. The specified sleep time appears on the display for about 5 seconds; then the previous display reappears.



To cancel the sleep timer, press the [SLEEP] button repeatedly until the SLEEP indicator disappears.

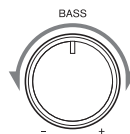
To check the remaining sleep time, press the [SLEEP] button. Note that if you press the [SLEEP] button while the sleep time is being displayed, you'll shorten the sleep time by 10 minutes.

Using the Tone and Balance Controls

This section explains functions the following can be used with any input source.

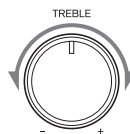
Adjusting the Bass

The BASS control adjusts bass sounds. Turn it up to make them louder. Turn it down to make them quieter. Normally, it should be set midway.



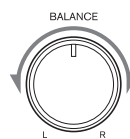
Adjusting the Treble

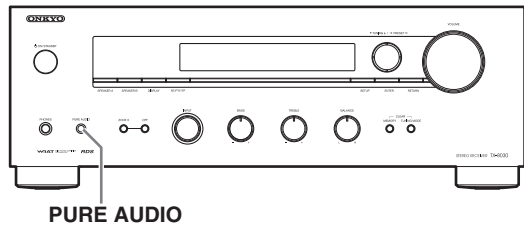
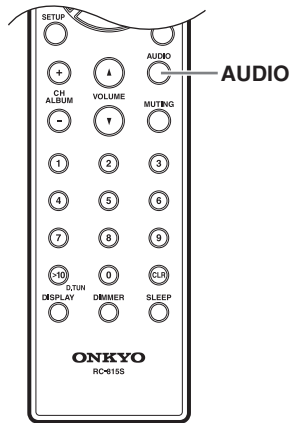
The TREBLE control adjusts treble sounds. Turn it up to make them louder. Turn it down to make them quieter. Normally, it should be set midway.



Adjusting the Balance

The BALANCE control is used to control the relative volume level of the left and right speaker systems.





Setting the DIRECT Function

Press the remote controller's [AUDIO] button repeatedly to select DIRECT. The setting will change as follows each time you press the [AUDIO] button.



→ Stereo → Pure Audio → Direct

When the DIRECT function is off, the tone controls can be used to adjust the sound, and the DIRECT indicator goes off.

When the DIRECT function is on, the tone controls are bypassed, so you can enjoy pure sound. The DIRECT indicator lights up.

You can configure whether the DIRECT function is applied or not for input sources individually.

To cancel the DIRECT function, press the remote controller's [AUDIO] button repeatedly to select Stereo.

Enjoying the Pure Audio Sound

Pressing the [PURE AUDIO] button on the receiver activates the Pure Audio listening mode.



The Pure Audio listening mode allows you to enjoy purer sound by disabling the video signal output and turning off the indication in the display.

In the Pure Audio listening mode, the tone controls are bypassed and adjustments using the BASS and TREBLE controls are ignored.

Pure Audio listening mode can be turned on/off individually for each input source.

Notes:

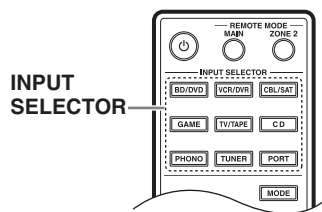
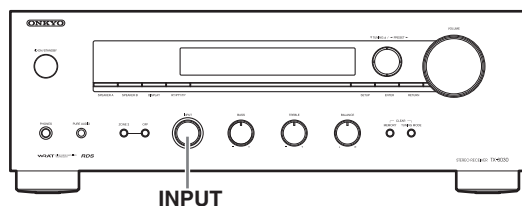
- You can't select Pure Audio mode if Zone 2 is on.

To cancel the Pure Audio listening mode, press the receiver's [PURE AUDIO] button.

Recording

Unless you have the full consent of the copyright holder, copyright laws prohibit using your recordings for anything other than personal enjoyment!

This section explains how to record the selected input source to a component with recording capability, and how to record audio and video from different sources.



Recording the Input Source

Audio sources can be recorded to a recorder (e.g., cassette tape deck, CDR, MD recorder). Video sources can be recorded to a video recorder (e.g., VCR, DVD recorder).

1 Prepare the recorder:

- Set the recorder so that it's ready for recording.
- If necessary, adjust the recording level on the recorder.
- See the recorder's manual for more information.

2 Use the receiver's [INPUT] selector, or the remote controller's INPUT SELECTOR buttons to select the component that you want to record from.

3 Start playback on the component selected in step 1.

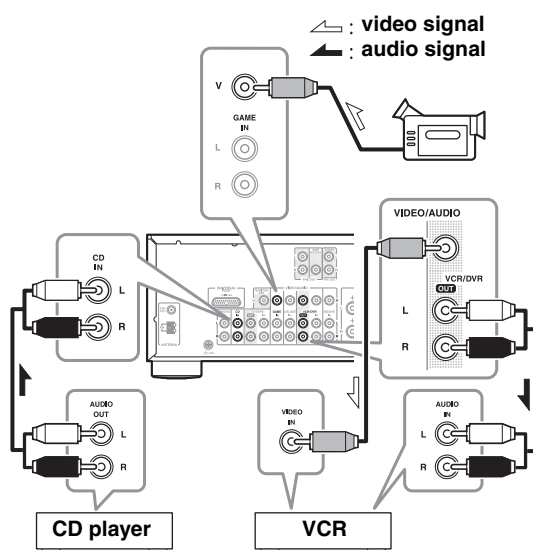
Notes:

- If you select another input source during recording, the newly selected input source will be recorded.
- The volume, balance, mute and tone controls have no effect on the signal being recorded.

Recording Audio and Video from Separate Sources

You can overdub audio onto your video recordings by simultaneously recording audio and video from two separate sources. This is possible because the audio source is recorded when an audio-only input source, such as TAPE, TUNER, or CD is selected; the video source can be recorded simultaneously when a video input source is connected to BD/DVD, CBL/SAT or GAME.

In the following example, audio from the CD player connected to the CD IN jacks and video from the camcorder connected to the GAME IN jack are recorded by the VCR connected to the VCR/DVR OUT jacks.



1 Prepare the camcorder and CD player for playback.

2 Prepare the VCR for recording.

3 Press the remote controller's [GAME] INPUT SELECTOR button.

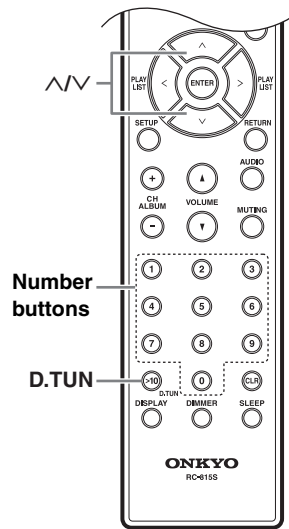
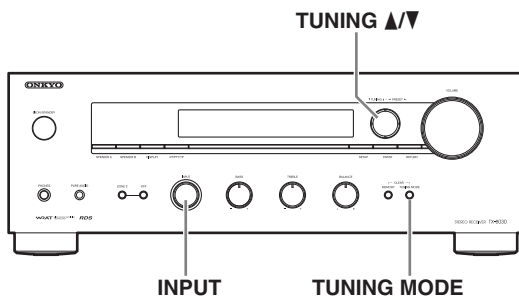
4 Press the remote controller's [CD] INPUT SELECTOR button.

This selects the CD player as the audio source, but leaves the camcorder as the video source.

5 Start recording on the VCR, then start playback on the camcorder and CD player.

Video from the camcorder and audio from the CD player are recorded by the VCR.

Listening to the Radio

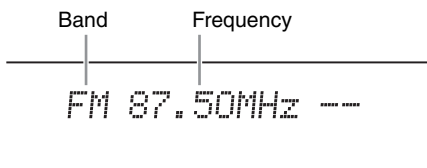


Listening to AM/FM Stations

With the built-in tuner, you can enjoy AM and FM radio stations.

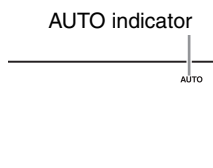
- 1 Use the receiver's [INPUT] selector, or the remote controller's INPUT SELECTOR buttons to select AM or FM.

In this example, FM has been selected.



(Actual display depends on the country.)

- 2 Press the [TUNING MODE] button so that the AUTO indicator appears or disappears from the display.



Auto Tuning

To activate this mode, press the [TUNING MODE] button to turn on the "AUTO" indicator. In this mode, you will receive the broadcast in stereo sound.

Manual Tuning

To activate this mode, press the [TUNING MODE] button to turn off the "AUTO" indicator. In this mode, you will receive the broadcast in monaural sound.

- 3 Press the TUNING [▲] or [▼] button.

You can also use the remote controller's arrow [▲]/[▼] buttons to tune the radio.

Auto Tuning

Searching stops when a station is found.

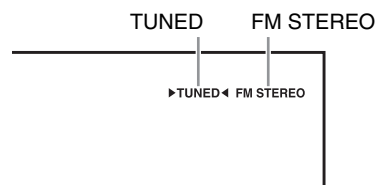
Manual Tuning

The frequency stops changing when you release the button.

Press the buttons repeatedly to change the frequency one step at a time.

The frequency changes in 0.05 MHz steps (or 0.05 MHz to 0.2 MHz for North American model) for FM, and 9 kHz (or 10 kHz) steps for AM.

When tuned to a station, the TUNED indicator appears. When tuned to a stereo FM station, the FM STEREO indicator also appears.



Tuning to Weak FM Stereo Stations

If the signal from a stereo FM station is weak, it may be impossible to get good reception. In this case, switch to Manual Tuning mode and listen to the station in mono.

■ Tuning into Stations by Frequency

You can tune to AM and FM stations directly by entering the appropriate frequency.

- 1 Press the remote controller's [D.TUN] button.**

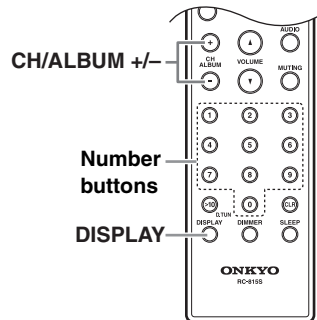
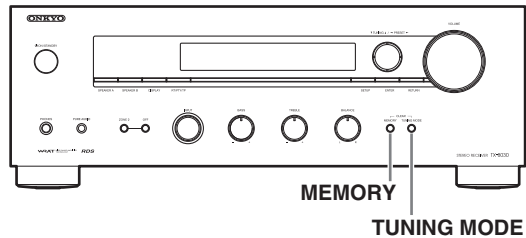


(Actual display depends on the country.)

- 2 Within 8 seconds, use the number buttons to enter the frequency of the radio station.**

For example, to tune to 87.5 (FM), press 8, 7, 5.

Presetting AM/FM Stations



You can store up to 40 of your favorite AM/FM radio stations as presets.

Presetting FM/AM stations is performed by the receiver.

- 1 Tune to the AM/FM station that you want to store as a preset.**

- 2 Press the [MEMORY] button.**

The preset number flashes.



- 3 While the preset number flashes (about 8 seconds), use the PRESET [◀]/[▶] buttons to select a preset from 1 through 40.**

- 4 Press the [MEMORY] button again to store the station or channel.**

The station or channel is stored and the preset number stops flashing.

Repeat this procedure for all of your favorite AM/FM radio stations.

■ Selecting Presets

To select a preset, use the number buttons on the remote controller, the remote controller's CH/ALBUM [+]/[-] buttons or the receiver's PRESET ◀/▶ buttons.

■ Deleting Presets

1 Select the preset that you want to delete.

See the previous section.

2 While holding down the [MEMORY] button, press the [TUNING MODE] button.

The preset is deleted and its number disappears from the display.

■ Name Edit

You can enter a custom name for radio preset for easy identification. When entered, the custom name will appear on the display.

The custom name is edited using the character input screen.

1 Press the [SETUP] button on the remote controller.

2 Use the arrow [^]/[v] button to select "1. Source Setup," and then press [ENTER].

3 Use the arrow [^]/[v] button to select "Name Edit," and then press [ENTER].

4 Use the arrow [^]/[v]/[<]/[>] button to select a character, and then press [ENTER].

Repeat this step to enter up to 10 characters.

```
<■>  
#bcdefghijklm
```

5 When you've finished editing the name and want to store it, be sure to use the arrow [^]/[v]/[<]/[>] button to select "OK" and then press [ENTER]. If you fail to do this, the name won't be saved.

```
<favorite01>  
Shift+BS OK
```

Shift*1:

Switches the displayed character.

←(Left)/→(Right):

Select these to move the cursor within the Name input area.

Space:

Enters a space character.

Back Space*2:

"Back Space" moves the cursor backward one character space. In addition, "Back Space" deletes the character to the left of the cursor.

OK:

Specifies that the entry is complete.

Tips:

*1 You can also perform this on the remote controller by using >10.

*2 By pressing [CLR] on the remote controller, you can delete all characters in the input.

Notes:

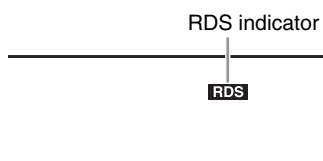
- This procedure can also be performed on the receiver by using [SETUP], TUNING[▲]/[▼], PRESET [◀]/[▶], and [ENTER].
- Press [RETURN] to return to the previous menu.

■ Switching the Display

When receiving AM or FM, you can press the remote controller's [DISPLAY] button to switch the display between the name you specified in Name Edit and the frequency that's being received.

Using RDS

RDS only works in areas where RDS broadcasts are available. When tuned into an RDS station, the RDS indicator appears.



■ What is RDS?

RDS stands for Radio Data System and is a method of transmitting data embedded in FM radio signals. It was developed by the European Broadcasting Union (EBU) and is available in most European countries. Many FM stations use it these days. In addition to displaying text information, RDS can also help you find radio stations by type (e.g., news, sport, rock, etc.).

The receiver supports four types of RDS information:

PS (Program Service)

When tuned to an RDS station that's broadcasting PS information, the station's name will be displayed.

RT (Radio Text)

When tuned to an RDS station that's broadcasting text information, the text will be shown on the display (→ page 26).

PTY (Program Type)

This allows you to search for RDS radio stations by type (→ page 26).

TP (Traffic Program)

This allows you to search for RDS radio stations that broadcast traffic information (→ page 26).

Notes:

- In some cases, the text characters displayed on the receiver may not be identical to those broadcast by the radio station. Also, unexpected characters may be displayed when unsupported characters are received. This is not a malfunction.
- If the signal from an RDS station is weak, RDS data may be displayed intermittently or not at all.

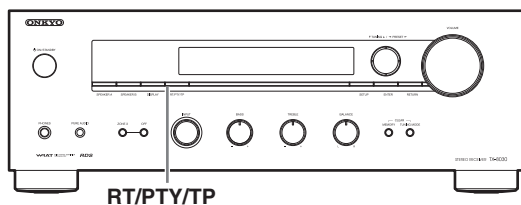
■ Switching the Display

When receiving RDS, you can press the remote controller's [RT/PTY/TP] button to switch the information shown in the display.

RDS Program Types (PTY)

Type	Display
None	NONE
News reports	NEWS
Current affairs	AFFAIRS
Information	INFO
Sport	SPORT
Education	EDUCATE
Drama	DRAMA
Culture	CULTURE
Science and technology	SCIENCE
Varied	VARIED
Pop music	POP M
Rock music	ROCK M
Middle of the road music	EASY M
Light classics	LIGHT M
Serious classics	CLASSICS
Other music	OTHER M
Weather	WEATHER
Finance	FINANCE
Children's programmes	CHILDREN
Social affairs	SOCIAL
Religion	RELIGION
Phone in	PHONE IN
Travel	TRAVEL
Leisure	LEISURE
Jazz music	JAZZ
Country music	COUNTRY
National music	NATION M
Oldies music	OLDIES
Folk music	FOLK M
Documentary	DOCUMENT
Alarm test	TEST
Alarm	ALARM

Displaying Radio Text (RT)



When tuned to an RDS station that's broadcasting text information, the text can be displayed.

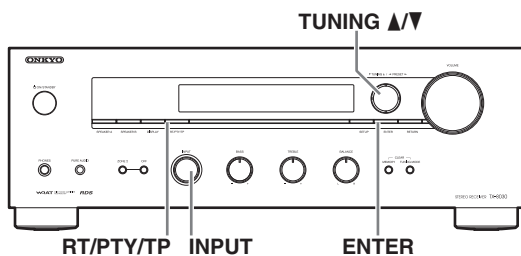
Press the [RT/PTY/TP] button once.

The RT information scrolls across the display.

Notes:

- The message "Waiting" may appear while the receiver waits for the RT information.
- If the message "No Text Data" appears on the display, no RT information is available.

Finding Stations by Type (PTY)



You can search for radio stations by type.

1 Use the [INPUT] selector to select RDS.

2 Press the [RT/PTY/TP] button twice.

The current program type appears on the display.

3 Use the TUNING [▲]/[▼] buttons to select the type of program you want.

See the table on page 25.

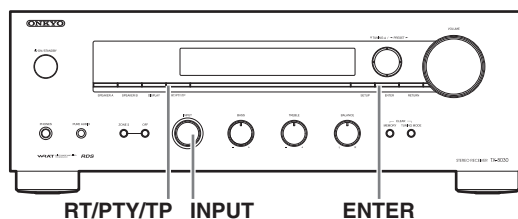
4 To start the search, press [ENTER].

The receiver searches until it finds a station of the type you specified, at which point it stops briefly before continuing with the search.

5 When a station you want to listen to is found, press [ENTER].

If no stations are found, the message "Not Found" appears.

Listening to Traffic News (TP)



You can search for stations that broadcast traffic news.

1 Use the [INPUT] selector to select RDS.

2 Press the [RT/PTY/TP] button three times.

If the current radio station is broadcasting TP (Traffic Program), "[TP]" will appear on the display, and traffic news will be heard as and when it's broadcast. If "TP" without square brackets appears, this means that the station is not broadcasting TP.

3 To locate a station that is broadcasting TP, press [ENTER].

The receiver searches until it finds a station that's broadcasting TP.

If no stations are found, the message "Not Found" appears.

Advanced Setup

Changing the Advanced Setup Settings

Here's how to change the Advanced Setup settings.

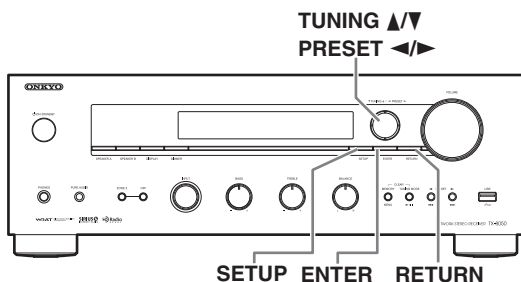
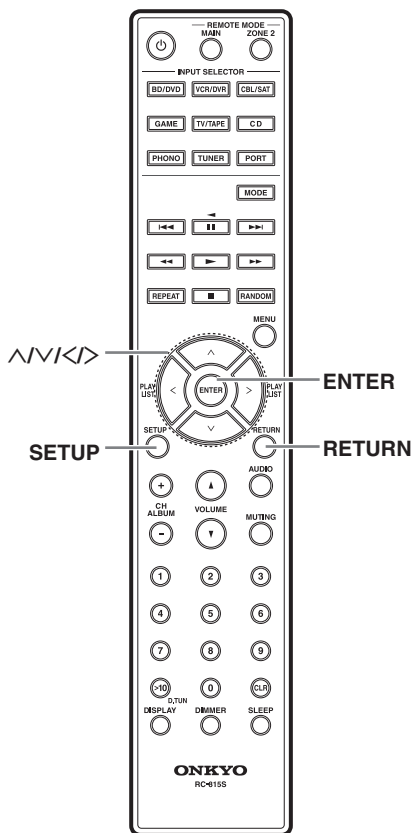
Example: Intelli volume setting procedure

Intelli Volume

With Intelli Volume, you can set the input level for each input selector individually. This is useful if one of your source components is louder or quieter than the others.

Use the arrow [\leftarrow]/[\rightarrow] buttons to set the level.

If a component is noticeably louder than the others, use the arrow [\leftarrow] button to reduce its input level. If it's noticeably quieter, use the arrow [\rightarrow] button to increase its input level. The input level can be adjusted from -12 dB to $+12$ dB in 1 dB steps.



1 Turn on the power.

2 Press the [SETUP] button on the remote controller.

The setup menu appears in the display.

3 Use the arrow [\wedge]/[\vee] buttons to select "1. Source Setup," and then press [ENTER].

The Hardware setup menu appears in the display.

1. Source Setup

4 Use the arrow [\wedge]/[\vee] buttons to select "Intelli Volume: 0 dB".

IntelliVolume
: 0dB

5 Change the Intelli volume to " -2 dB" using the arrow [\leftarrow]/[\rightarrow] buttons.

IntelliVolume
: -2dB

6 Press the [SETUP] button on the remote controller to complete the setting.

Notes:

- This procedure can also be performed on the receiver by using [SETUP], TUNING [\blacktriangle]/[\blacktriangledown], PRESET [\blacktriangleleft]/[\blacktriangleright], and [ENTER].
- Press [RETURN] to return to the previous menu.

Advanced Setup Menu

1. Source Setup

Intelli Volume

See page 27.

IntelliVolume does not apply for Zone 2.

Name

This changes the name displayed by the [INPUT] selector. First use the [INPUT] selector to select the name of the source you want to change, and then use this Setup Menu to change the name that's displayed. Use the [<]/[>] buttons to step through the following names.

--- → Blu-ray → DVD → HD DVD → VCR → DVR
→ Tivo → CableSTB → SAT STB → PS3 → Wii →
Xbox → PC → TV → CD → TAPE → iPod → ---

Name Edit

You can edit the name of the radio preset if an FM or AM preset station is being received. (See page 23)

2. Hardware Setup

Speaker Impedance

See “Configuring the Speaker Impedance” on page 11.

AM Frequency Setup

For AM tuning to work properly, you must specify the AM frequency step (9 kHz/10 kHz) used in your area. Note that when this setting is changed, all radio presets will be deleted.

Default setting: 9 kHz

Auto Standby

When “Auto Standby” is set to “On”, the receiver will automatically enter Standby mode if there is no operation for 3 hours with no audio and no video signal input.

Default setting: On

Notes:

- If you're listening at a low volume, the Auto Standby function may detect this as silence.
- With some sources, the Auto Standby function may activate itself during playback.
- The Auto Standby function does not work when Zone2 is on.

UP-A1 Charge Mode

You can specify how the power is fed to your iPod/iPhone when the receiver is in Standby Mode.

Auto: Power feeding is interrupted when your iPod/iPhone is fully charged.

On: Power feeding continues even if your iPod/iPhone is fully charged.

Off: Your iPod/iPhone is not charged.

Default setting: Auto

Notes:

- This cannot be selected if no device is connected to UNIVERSAL PORT.
- This setting cannot be selected when:
 - the UP-A1 Dock with docked iPod/iPhone is not connected to the receiver, or
 - the docked iPod/iPhone model is not supported.
- When the “UP-A1 Charge Mode” setting is set to “On”, or to “Auto” with your iPod/iPhone recharging, the SLEEP indicator is dimly lit in standby mode. In such conditions, the power consumption of the receiver slightly increases.

3. Zone2 Setup

Zone2 Out

If you have connected your Zone 2 speakers to an amp with no volume control, set the Zone 2 Out setting to Variable so that you can set the zone's volume, balance, and tone on the receiver.

Fixed: The Zone 2 volume must be set on the amp in that zone.

Variable: The Zone 2 volume can be set on the receiver.

Default setting: Fixed

Z2 Bass

With this setting, you can boost or cut low-frequency sounds output from the speakers for Zone 2.

The output can be adjusted from -10 dB to +10 dB in 2 dB steps.

Default setting: 0 dB

Z2 Treble

With this setting, you can boost or cut high-frequency sounds output from the speakers for Zone 2.

The output can be adjusted from -10 dB to +10 dB in 2 dB steps.

Default setting: 0 dB

Z2 Balance

With this setting, you can control the relative volume level of the left and right speaker for Zone 2.

Default setting: 0

Zone 2

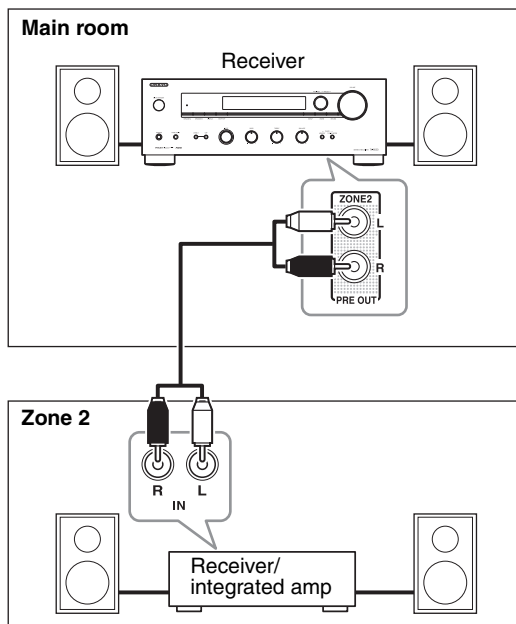
In addition to your main listening room, you can also enjoy playback in a second room referred to as Zone 2. In addition, you can select a different source for each room.

Connecting Zone 2

This setup allows 2-channel playback (with the speaker set A and B) in your main listening room and 2-channel stereo playback in Zone 2, with a different source in each room.

Hookup

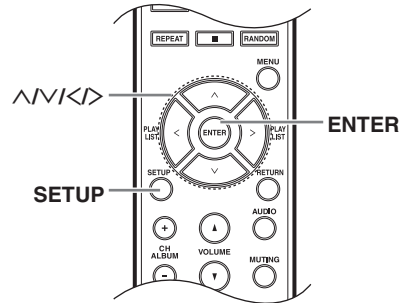
- Use an RCA audio cable to connect the receiver's ZONE 2 PRE OUT L/R jacks to an analog audio input on your Zone 2 amp.
- Connect your Zone 2 speakers to the speaker terminals on your Zone 2 amp.



Notes:

- The Zone 2 volume must be set on the Zone 2 amp.
- If you're using a power amp with no volume control in Zone 2, you must set the Zone 2 Out setting to Variable (→ page 28).

Zone 2 Out Settings



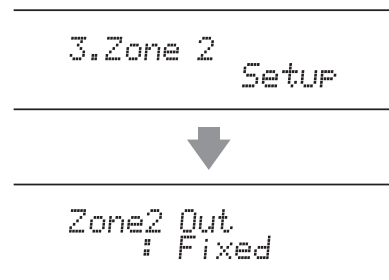
If you have connected your Zone 2 speakers to an amp with no volume control, set the Zone 2 Out setting to Variable so that you can set the zone's volume, balance, and tone on the receiver.

1 Press the [SETUP] button.

The setup menu appears on the display.

2 Use the arrow [^]/[v] buttons to select "3. Zone 2 Setup" and then press [ENTER].

The Zone 2 Setup menu appears.



3 Use the arrow [<]/[>] buttons to select:

Fixed: The Zone 2 volume must be set on the amp in that zone.

Variable: The Zone 2 volume can be set on the receiver.

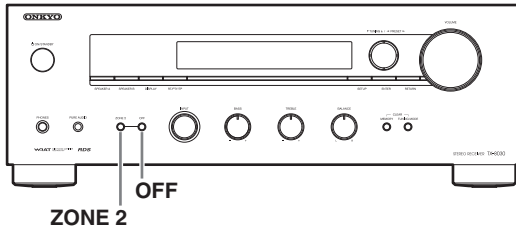
4 Press the [SETUP] button.

Setup closes.

Using Zone 2

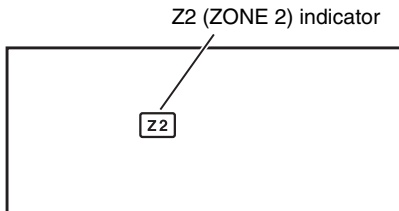
This section explains how to turn Zone 2 on and off, how to select an input source for Zone 2, and how to adjust the volume for Zone 2.

Controlling Zone 2 from the receiver



- To turn on Zone 2 and select an input source, press the [ZONE 2] button repeatedly. Alternatively, press the [ZONE 2] button followed by an INPUT selector within 8 seconds.**

Zone 2 turns on and the Z2 (ZONE 2) indicator appears.



To select the same source as that of the main room, press the [ZONE 2] button repeatedly until “Zone 2 Selector: Source” appears.

```
Zone2 Selector
: Source
```

Rotate the INPUT selector to select AM or FM.

Note:

You cannot select different AM or FM radio stations for your main room and Zone 2. The same AM/FM radio station will be heard in each room.

- To turn off Zone 2, press the Zone 2 [OFF] button.**

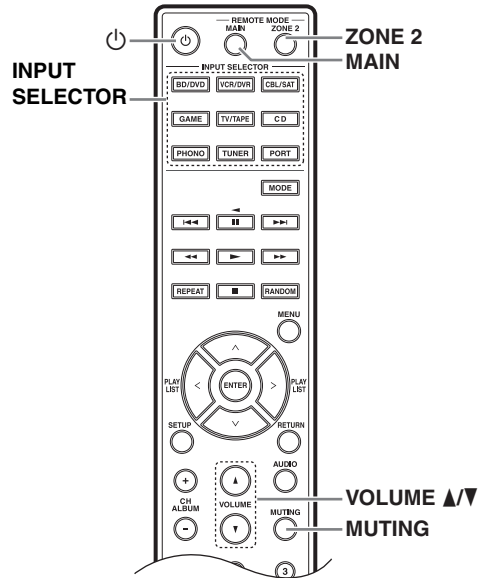
Notes:

- Only analog input sources are output by Zone 2. Digital input sources are not output. If no sound is heard when an input source is selected, check to make sure it's connected to an analog input.
- While Zone 2 is on, the Auto Power On/Standby and Direct Change RI functions do not work.

Controlling Zone 2 with the Remote Controller

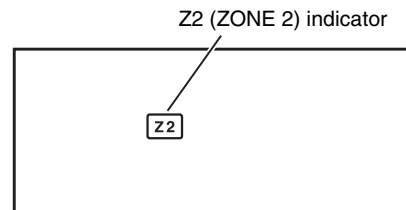
Note:

To control Zone 2, you must press the remote controller's [ZONE 2] button first.



- Press the [ZONE 2] button, then point the remote controller at the receiver and press the [ON/STANDBY] button.**

Zone 2 turns on and the Z2 (ZONE 2) indicator appears.



- To select an input source for Zone 2, press the [ZONE 2] button, followed by an INPUT SELECTOR button.**

To select AM or FM press the [TUNER] Input Selector button repeatedly.

Note:

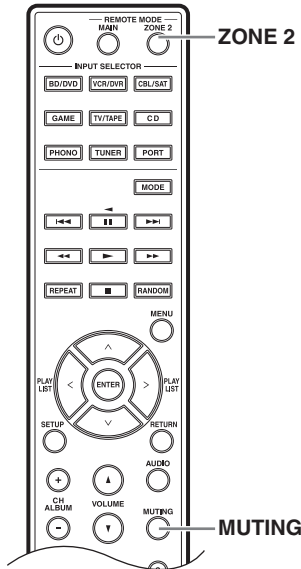
You cannot select different AM or FM radio stations for your main room and Zone 2. The same AM/FM radio station will be heard in each room.

- To turn off Zone 2, press the [ZONE 2] button, followed by the [ON/STANDBY] button.**

Adjusting the Volume of Zone 2

Press the receiver's [ZONE 2] button, and then use the [VOLUME] control, or remote controller's [ZONE 2] button, and then use the VOLUME [▲]/[▼] buttons.

Muting Zone 2



On the remote controller, press the [ZONE 2] button, and then press the [MUTING] button.

To unmute Zone 2, press the remote controller's [ZONE 2] button, and then press the [MUTING] button again.

Notes:

- Zone 2 can also be unmuted by adjusting the volume.
- The Zone 2 level, balance, and tone functions have no effect on the ZONE 2 PRE OUT when the Zone 2 Out setting is set to Fixed (→ page 28).
- To control the volume and mute of the receiver in the main room, press the remote controller's [MAIN] button and then perform the desired operation.

Checking the Source Selected for Zone 2

Press the [ZONE 2] button on the receiver itself. The display will show the name of the selected source.

Connecting Components Not Reached by the Remote Controller Signals (IR IN/OUT)

In order to use the remote controller to control the receiver from a remote location, you will need to prepare a multiroom kit (sold separately) such as one listed below:

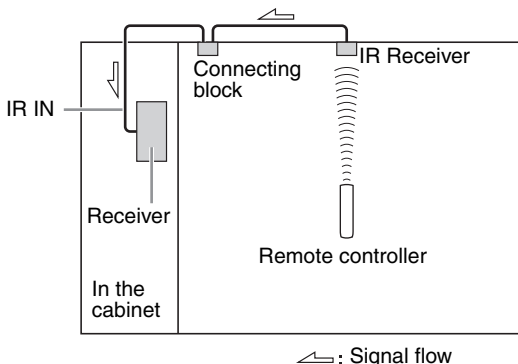
- Multiroom A/V distribution and control system such as those from Niles® and Xantech®
- * Xantech is a registered trademark of Xantech Corporation.
- * Niles is a registered trademark of Niles Audio Corporation.

If Remote Controller Signal Does Not Reach the Receiver Remote Sensor

Effective Sensor Layout

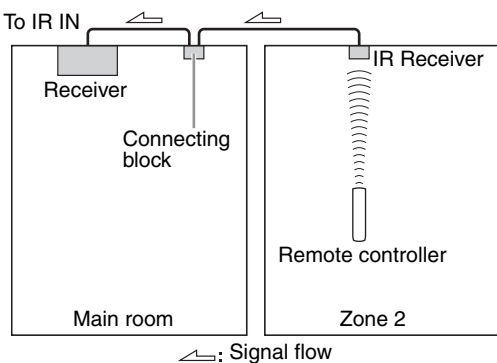
Example for the main room

If the receiver is located inside a cabinet or other enclosure where the infrared rays from the remote controller cannot enter, then operation with the remote controller will not be possible. In such a case, it will be necessary to install a remote sensor at a location outside of the cabinet so that the infrared rays from the controller can be sensed.



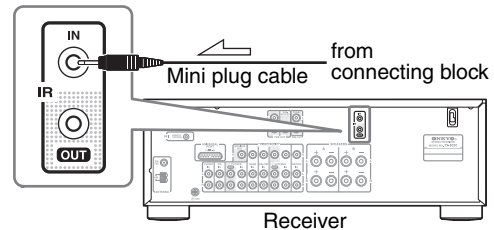
Example for Zone 2

The IR IN input allows you to control the receiver from Zone 2 with the remote controller even though Zone 2 may be on the other side of the building from the main zone. The diagram below shows how to make the proper connections for Zone 2.



Making Sensor Connections

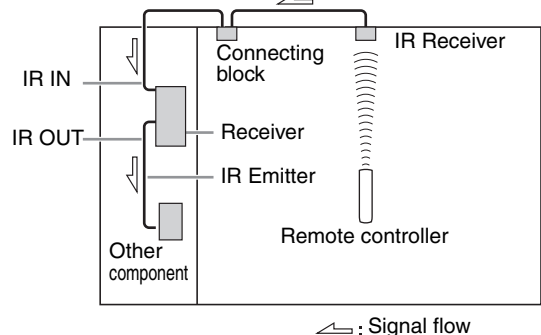
When you place the IR receiver in the main room, connect the cable from the connecting block to the IR IN terminal. Make the connection as shown below. Do not plug any equipment into the power outlet until all the connections are complete.



If Remote Controller Signal Does Not Reach Other Components

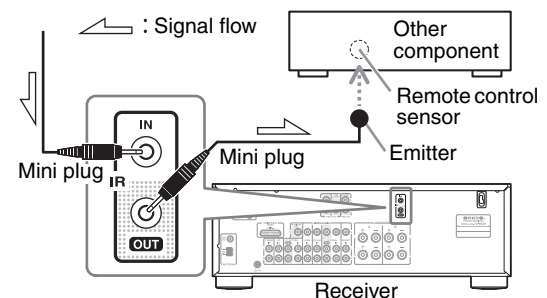
Effective Sensor Layout

In this situation, you will need to use a commercially available IR emitter. Connect the mini plug of the IR emitter to the IR OUT terminal on the receiver and then place the IR emitter on the remote sensor of the component or facing it. When the IR emitter is connected, only the signal input to the IR IN terminal is output to the IR OUT terminal. The signal input from the remote sensor on the front of the receiver will not be output to the IR OUT terminal.



Making Sensor Connections

The IR emitter should be connected to the receiver's IR OUT Terminal, as shown below.



iPod/iPhone Playback via Onkyo Dock

Using the Onkyo Dock

Dock is sold separately. Models sold are different depending on the region.

For the latest information on Onkyo Dock components, see the Onkyo web site at: <http://www.onkyo.com>

Before using an Onkyo Dock, update your iPod/iPhone with the latest software, available from the Apple web site.

For supported iPod/iPhone models, see the instruction manual of the Onkyo Dock.

- When Zone 2 is turned on, you can't use Auto Power On and Direct Change functions.
- Do not turn off the power with the iPod/iPhone still connected to this unit via the UP-A1 Dock.
- Set your iPod/iPhone in the UP-A1 Dock after the receiver turns on.

UP-A1 Dock

With the UP-A1 Dock, you can easily play the music stored on your Apple iPod/iPhone through the receiver and enjoy great sound.

You can use the receiver's remote controller to operate your iPod/iPhone.

■ System Function

The receiver may take several seconds to start up, so you might not hear the first few seconds of the first song.

Auto Power On

If you start iPod/iPhone playback while the receiver is on Standby, the receiver will automatically turn on and select your iPod/iPhone as the input source.

Direct Change

If you start iPod/iPhone playback while listening to another input source, the receiver will automatically select your iPod/iPhone as the input source.

Using the receiver's Remote Controller

You can use the receiver's remote controller to control basic iPod/iPhone functions (→ page 34).

Operating Notes

- Functionality depends on your iPod/iPhone model and generation.
- Before selecting a different input source, stop iPod/iPhone playback to prevent the receiver from selecting the iPod/iPhone input source by mistake.
- If any accessories are connected to your iPod/iPhone, the receiver may not be able to select the input source properly.
- While your iPod/iPhone is in the UP-A1 Dock, its volume control has no effect. If you adjust your iPod/iPhone model's volume control while it's in the UP-A1 Dock, make sure it's not set too high before you reconnect your headphones.
- The Auto Power On function will not work if you set your iPod/iPhone in the UP-A1 Dock while it is playing.

■ Using Your iPod/iPhone model's Alarm Clock

You can use your iPod/iPhone model's Alarm Clock function to automatically turn on your iPod/iPhone and the receiver at a specified time. The receiver's input source will automatically be set to PORT.

Notes:

- To use this function, your iPod/iPhone must be in the UP-A1 Dock, and the UP-A1 Dock must be connected to the receiver.
- When you use this function, be sure to set the receiver's volume control to a suitable level.
- When Zone 2 is turned on, you can't use this function.
- You cannot use this function for sound effects on your iPod/iPhone.

■ Charging Your iPod/iPhone model's Battery

The UP-A1 Dock charges your iPod/iPhone model's battery while your iPod/iPhone is in the UP-A1 Dock connected to the receiver. While your iPod/iPhone is seated in the UP-A1 Dock, its battery will be charged when the receiver is set to On or Standby.

You can specify how the power is fed to your iPod/iPhone when the receiver is in Standby Mode.

Note:

When a UP-A1 Dock with an inserted iPod/iPhone is connected, the power consumption on standby mode slightly increases.

■ Status Messages

If none of the following messages are displayed on the receiver's display, check the connection to your iPod/iPhone.

PORT Connecting

The receiver is checking the connection with the dock.

PORT Not Support

The receiver do not support the connected dock.

PORT UP-A1

UP-A1 Dock is connected.

Note:

The receiver displays the message "UP-A1" for several seconds after recognizing the UP-A1.

RI Dock

With the RI Dock, you can easily play the music stored on your Apple iPod/iPhone through the receiver and enjoy great sound. You can even use the receiver's remote controller to operate your iPod/iPhone.

Notes:

- Connect the RI Dock to the receiver with an **RI** cable (→ page 15).
- Set the RI Dock's RI MODE switch to "HDD" or "HDD/DOCK".
- Set the receiver's Input Display to "DOCK" (→ page 17).

■ System Function

System On

When you turn on the receiver, the RI Dock and your iPod/iPhone turn on automatically. In addition, when the RI Dock and iPod/iPhone are on, the receiver can be turned on by pressing [⏻/ON/STANDBY].

Auto Power On

If you start iPod/iPhone playback while the receiver is on Standby, the receiver will automatically turn on and select your iPod/iPhone as the input source.

Direct Change

If you start iPod/iPhone playback while listening to another input source, the receiver will automatically switch to the input to which the RI Dock is connected.

Other Remote Controllers

You can use the remote controller that came with the receiver to control other iPod/iPhone functions. The available functionality depends on the receiver.

iPod/iPhone Alarm

If you use the Alarm function on your iPod/iPhone to start playback, the receiver will turn on at the specified time and select your iPod/iPhone as the input source automatically.

Notes:

- Linked operations do not work with video playback or when the alarm is set to play a sound.
- If you use your iPod/iPhone with any other accessories, iPod/iPhone playback detection may not work.

Operating Notes

- Use the receiver's volume control to adjust the playback volume.
- While your iPod/iPhone is inserted in the RI Dock, its volume control has no effect.
- If you do adjust the volume control on your iPod/iPhone while it's inserted in the RI Dock, be careful that it's not set too loud before you reconnect your earphones.

Note:

On the iPod with video and iPod nano (1st generation), the click wheel is disabled during playback.

Controlling Your iPod/iPhone

See the Dock's instruction manual for more information.

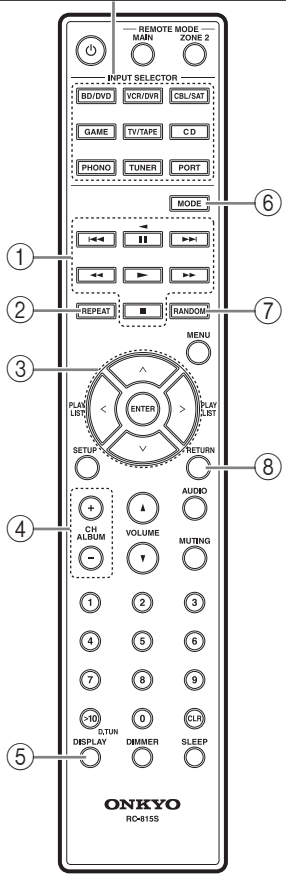
■ UP-A1 Dock

You can control your iPod/iPhone when "PORT" is selected as the input source.

■ RI Dock

- Set the RI Dock's RI MODE switch to "HDD" or "HDD/DOCK".
- You can control your iPod/iPhone when "DOCK" is selected as the input source.

Press the appropriate **INPUT SELECTOR** first.



- *1 If a UP-A1 is connected to UNIVERSAL PORT in Extended mode (→ page 14), the [PLAY LIST] buttons are used as the page jump buttons. With the page modes, you can quickly locate your favorite songs even when your song lists, artist lists, and so on are very long.
- *2 [DISPLAY] turns on the backlight for 30 seconds.
- *3 If a UP-A1 is connected to UNIVERSAL PORT, you can press [MODE] to switch between the following modes:

Standard mode

Nothing is displayed on the receiver’s display and you navigate and select your contents by using the display of your iPod/iPhone. Video playback is possible only in this mode.

Extended mode

Playlists (artists, albums, songs, and so on) are displayed on the receiver’s display, and you can navigate and select your music while looking at receiver’s display.

Note:

- In Extended mode, you cannot operate your iPod/iPhone directly.
- In Extended mode, it may take some time to acquire the contents.
- In Extended mode, video content cannot be displayed on your TV.

Notes:

- With some iPod/iPhone models or generations, or some RI Docks, certain buttons may not work as expected.
- For details on operating your iPod/iPhone, please refer to the instruction manual of the RI Dock.

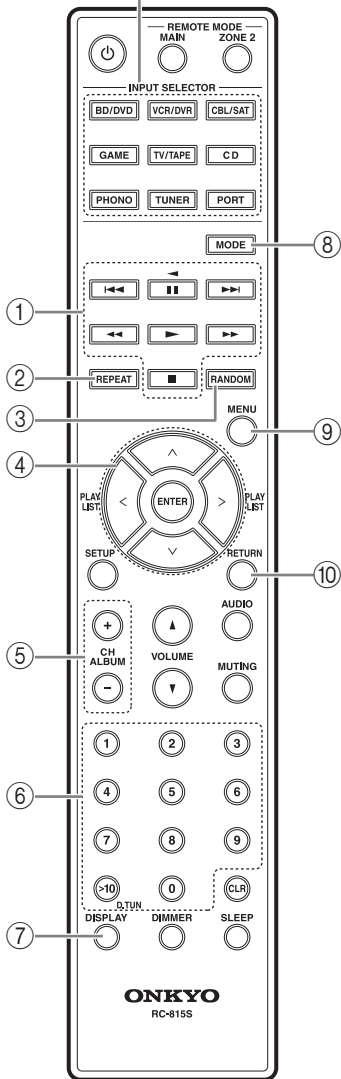
✓: Available buttons

Onkyo Dock	UP-A1	RI Dock
① ▶, II, ■, ◀◀, ▶▶, ◀◀◀, ▶▶▶	✓	✓
② REPEAT	✓	✓
③ ^/~/</>, ENTER	✓	✓
PLAY LIST </>	✓*1	✓
④ ALBUM +/-	✓	✓
⑤ DISPLAY *2	✓	✓
⑥ MODE	✓*3	
⑦ RANDOM	✓	✓
⑧ RETURN	✓	

Controlling Other Components

You can use the receiver's remote controller to control your other AV components.

Use the REMOTE MODE buttons to select the zone of the component you want to control (MAIN or ZONE 2). Then press the INPUT SELECTOR button of the component you want to control.



✓: Available buttons

Components		UNIVERSAL PORT	RI DOCK	CD player	Cassette tape deck ^{*1}
①	▶, II, ■, ◀▶▶, ▶▶▶, ◀◀◀, ▶▶▶	✓	✓	✓	✓ ^{*2}
②	REPEAT	✓	✓	✓	
③	RANDOM	✓	✓	✓	
④	^/∨/</>, ENTER	✓	✓	✓	
⑤	CH +/-	✓			
⑥	Number: 1 to 9, 0	✓	✓	✓	
	Number: +10	✓	✓	✓	
⑦	DISPLAY	✓	✓	✓	
⑧	MODE	✓			
⑨	MENU ^{*3}	✓			
⑩	RETURN	✓	✓		

*1 If using a double cassette deck, cassette B will be operated.

*2 [II] (Pause) functions as reverse playback. The [◀◀]/[▶▶] buttons will not operate.

*3 If you're using a Universal Port device, this operates as the [SETUP] button.

Note:

For details on controlling your iPod/iPhone, see "Controlling Your iPod/iPhone" on page 34

Note:

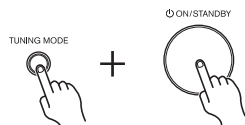
With some components, certain buttons may not work as expected, and some may not work at all.

Troubleshooting

If you have any trouble using the receiver, look for a solution in this section.

If you can't resolve the issue yourself, try resetting the receiver before contacting your Onkyo dealer.

To reset the receiver to its factory defaults, turn it on and, while holding down the [TUNING MODE] button, press the [ON/STANDBY] button.



Note that resetting the receiver will delete your radio presets and custom settings.

Power

Can't turn on the receiver

- Make sure that the power cord is plugged into the electric outlet properly.
- Unplug the power cord from the electric outlet, wait 5 seconds or more, then plug it in again.

Audio

There's no sound or it's very quiet

- Make sure the speaker set A or B is on (→ page 18).
- Make sure that all audio connecting plugs are pushed in all the way (→ page 13-16).
- Make sure that the polarity of the speaker cables is correct, and that the bare wire is in contact with the metal part of each speaker terminal (→ page 9).
- Make sure that the speaker cables are not shorting.
- Make sure that the inputs and outputs of all components are connected properly.
- Make sure that the correct input source is selected (→ page 18).
- If the MUTING indicator is shown on the display, press the remote controller's [MUTING] button to unmute the receiver (→ page 18).
- If your turntable uses an MC cartridge, you must connect an MC head amp, or an MC transformer and a phono preamp.
- While a pair of headphones is connected to the PHONES jack, no sound is output from the speakers. (→ page 18).

Noise can be heard

- Using cable ties to bundle audio cables with power cords, speaker cables, and so on may degrade the audio performance; do not bundle audio cables together with power cords or speaker cables.
- An audio cable may be picking up interference. Try repositioning your cables.

The tone controls have no effect

- If the DIRECT is turned on, or PURE AUDIO button lights up, the tone controls have no effect. Press the [AUDIO] or [PURE AUDIO] button to turn the function off. The PURE AUDIO button's indicator will go off (→ page 19).

Video

There's no picture

- Make sure that all video connecting plugs are pushed in all the way. (→ page 13)
- Make sure that each video component is properly connected. (→ page 13, 16)
- If the video source is connected to a composite video input, your TV must be connected to the corresponding composite video output. (→ page 13)

Tuner

Reception is noisy, stereo FM reception suffers from hiss, or the FM STEREO indicator doesn't appear

- Relocate your antenna.
- Move the receiver away from your TV or computer.
- Listen to the station in mono (→ page 22).
- When listening to an AM station, operating the remote controller may cause noise.
- Passing cars and airplanes can cause interference.
- Concrete walls weaken radio signals.
- If nothing improves the reception, install an outdoor antenna.

Remote Controller

The remote controller doesn't work

- After inserting or replacing the batteries, press the remote controller's [MAIN] or [Zone 2] button before you start performing the desired operation (→ page 8).
- Make sure that the batteries are installed with the correct polarity (→ page 5).
- Install new batteries. Don't mix different types of batteries or old and new batteries (→ page 5).
- Make sure that the remote controller is not too far away from the receiver, and that there's no obstruction between the remote controller and the receiver's remote control sensor (→ page 5).
- Make sure that the receiver is not subjected to direct sunshine or inverter-type florescent lights. Relocate if necessary (→ page 5).

Can't control other components

- Make sure that REMOTE MODE is set correctly (→ page 8).

- If you have connected an **RI**-capable Onkyo DS- A1 Remote Interactive Dock to the TAPE IN or VCR/ DVR IN jacks, you must set the input display to DOCK for the remote controller to work correctly (→ page 17).
- If it is an Onkyo component, make sure that the **RI** cable and analog audio cable are connected properly. Connecting only an **RI** cable won't work (→ page 15).
- With some components, certain buttons may not work as expected, and some may not work at all.
- To control an Onkyo component that's connected via **RI**, point the remote controller at the receiver.

UP-A1 Dock for iPod/iPhone

There's no sound

- Make sure your iPod/iPhone is actually playing.
- Make sure your iPod/iPhone is inserted properly in the Dock.
- Make sure the UP-A1 Dock is connected to the UNIVERSAL PORT jack on the receiver.
- Make sure the receiver is turned on, the correct input source is selected, and the volume is turned up.
- Make sure the plugs are pushed in all the way.
- Try resetting your iPod/iPhone.

There's no video

- Make sure that your iPod/iPhone model's TV OUT setting is set to On.
- Make sure the correct input is selected on your TV or the receiver.
- Some versions of the iPod/iPhone do not output video.

The receiver's remote controller doesn't control your iPod/iPhone

- Make sure your iPod/iPhone is properly inserted in the Dock. If your iPod/iPhone is in a case, it may not connect properly to the Dock. Always remove your iPod/iPhone from the case before inserting it into the Dock.
- The iPod/iPhone cannot be operated while it's displaying the Apple logo.
- Make sure you've selected the right remote mode.
- When you use the receiver's remote controller, point it toward your receiver.
- If you've connected the UP-A1 Dock to the UP-DT1 radio tuner with the tuner's Mode Selector switch set to AUTO, you can switch the input source between the UP-A1 Dock and the tuner by pressing the [PORT] button repeatedly on the remote controller.
- If you still can't control your iPod/iPhone, start playback by pressing your iPod/iPhone model's Play button. Remote operation should then be possible.
- Try resetting your iPod/iPhone.
- Depending on your iPod/iPhone, some buttons may not work as expected.

The receiver unexpectedly selects your iPod/iPhone as the input source

- Always pause iPod/iPhone playback before selecting a different input source. If playback is not paused, the Direct Change function may select your iPod/iPhone as the input source by mistake during the transition between tracks.

Recording

Can't record

- On your recorder, make sure the correct input is selected.
- To prevent signal loops and damage to the receiver, input signals are not fed through to outputs with the same name (e.g., TAPE IN to TAPE OUT, or VCR/ DVR IN to VCR/DVR OUT).
- When the Pure Audio mode is selected, recording is not possible because no video signals are output. Disable the mode before recording.

Others

Standby Power Consumption

In the following case, the power consumption may reach up to a maximum of 32 W:

- You are using the Universal Port jack.

The display doesn't work

- The display is turned off when the Pure Audio mode is selected.

The functions don't work

- To use **RI**, you must make an **RI** connection and an analog audio connection (RCA) between the component and receiver, even if they are connected digitally (→ page 15).
- While Zone 2 is selected, the **RI** functions don't work.

The receiver contains a microcomputer for signal processing and control functions. In very rare situations, severe interference, noise from an external source, or static electricity may cause it to lockup. In the unlikely event that this happens, unplug the power cord from the wall outlet, wait at least five seconds, and then plug it back in again.

Onkyo is not responsible for damages (such as CD rental fees) due to unsuccessful recordings caused by the unit's malfunction. Before you record important data, make sure that the material will be recorded correctly.

Before disconnecting the power cord from the wall outlet, set the receiver to Standby.

Specifications

Amplifier Section

Rated Output Power (IEC)	2 ch × 130W at 6 Ω, 1 kHz, 1 ch driven of 1%
Dynamic Power	180 W (3 Ω, Front) 160 W (4 Ω, Front) 100 W (8 Ω, Front)
THD +N (Total Harmonic Distortion +Noise)	0.08 % (20 Hz–20 kHz, half power)
Damping Factor	60 (1 kHz, 8 Ω)
Input Sensitivity and Impedance (Un balance)	200 mV/ 47 k Ω (LINE) 2.5 mV/ 47 k Ω (PHONO MM)
Rated RCA Output Level and Impedance	200 mV/ 2.2 kΩ (REC OUT)
Maximum RCA Output Level and Impedance	2 V/2.2 kΩ (REC OUT)
Phono Overload	60 mV (MM, 1 kHz, 0.5%)
Frequency Response	5 Hz–100 kHz/ +1 dB–3 dB
Tone Control Characteristics	±10 dB, 50 Hz (BASS) ±10 dB, 20 kHz (TREBLE)
Signal to Noise Ratio	106 dB (LINE, IHF-A) 80 dB (PHONO MM, IHF-A)
Speaker Impedance	4 Ω–16 Ω

Video Section

Input Sensitivity/ Output Level and Impedance	1Vp-p /75 Ω (Composite)
---	-------------------------

Tuner Section

■ FM

Tuning Frequency Range	87.5 MHz–108.0 MHz, RDS
------------------------	-------------------------

■ AM

Tuning Frequency Range	522/530 kHz–1611/1710 kHz
Preset Channel	40

General

Power Supply	AC 230 V, 50 Hz
Power Consumption	278 W
No-sound Power Consumption	45 W
Stand-by Power Consumption	0.3 W
Dimensions (W × H × D)	435 × 149.5 × 328 mm (17-1/8" × 5-7/8" × 12-15/16")
Weight	8.8 kg (19.4 lbs.)

■ Video Inputs

Composite	BD/DVD, VCR/DVR, CBL/SAT, GAME
-----------	--------------------------------

■ Video Outputs

Composite	MONITOR OUT, VCR/DVR
-----------	----------------------

■ Audio Inputs

Analog Inputs	PHONO, CD, TV/TAPE, GAME, CBL/SAT, BD/DVD, VCR/DVR
---------------	--

■ Audio Outputs

Analog Outputs	TV/TAPE, VCR/DVR
Pre Outputs	L/R, SUBWOOFER, ZONE 2 L/R
Speaker Outputs	SPEAKERS A SPEAKERS B

Phones	1 (6.3 Ø)
--------	-----------

IR Input/Output	1/1
-----------------	-----

■ Others

Universal Port	1
----------------	---

 RF	1
--	---

Specifications and features are subject to change without notice.

ONKYO®

ONKYO SOUND & VISION CORPORATION

2-1, Nisshin-cho, Neyagawa-shi, OSAKA 572-8540, JAPAN
Tel: 072-831-8023 Fax: 072-831-8163
<http://www.onkyo.com/>

ONKYO U.S.A. CORPORATION

18 Park Way, Upper Saddle River, N.J. 07458, U.S.A.
Tel: 800-229-1687, 201-785-2600 Fax: 201-785-2650
<http://www.us.onkyo.com/>

ONKYO EUROPE ELECTRONICS GmbH

Liegnitzerstrasse 6, 82194 Groebenzell, GERMANY
Tel: +49-8142-4401-0 Fax: +49-8142-4401-555
<http://www.eu.onkyo.com/>

ONKYO EUROPE ELECTRONICS GmbH (UK BRANCH)

The Coach House 81A High Street, Marlow, Buckinghamshire, SL7 1AB, UK
Tel: +44-(0)1628-473-350 Fax: +44-(0)1628-401-700

ONKYO CHINA LIMITED

Unit 1 & 12, 9/F, Ever Gain Plaza Tower 1, 88, Container Port Road, Kwai Chung,
N.T., Hong Kong. Tel: 852-2429-3118 Fax: 852-2428-9039
<http://www.ch.onkyo.com/>

ONKYO CHINA PRC

1301, 555 Tower, No.555 West NanJin Road, Jin an, Shanghai,
China 200041, Tel: 86-21-52131366 Fax: 86-21-52130396

SN 29400689A

(C) Copyright 2011 ONKYO SOUND & VISION CORPORATION Japan. All rights reserved.

I1103-2



* 2 9 4 0 0 6 8 9 A *