

★ ★ ★ TRISTAR



- EN *Instruction manual*
- NL *Gebruiksaanwijzing*
- FR *Mode d'emploi*
- DE *Bedienungsanleitung*
- ES *Manual de usuario*
- PT *Manual de utilizador*
- PL *Instrukcja obsługi*
- IT *Manuale utente*
- SV *Bruksanvisning*

KZ-2271

Dear customer,

Congratulations and thank you for purchasing this high quality product. Please read the instruction manual carefully so that you will be able to make the best possible use of the appliance. This manual includes all the necessary instructions and advice for using, cleaning and maintaining the appliance. If you follow these instructions you will be guaranteed of an excellent result, it saves you time and will avoid problems. We hope you will have a great deal of pleasure from using this appliance.

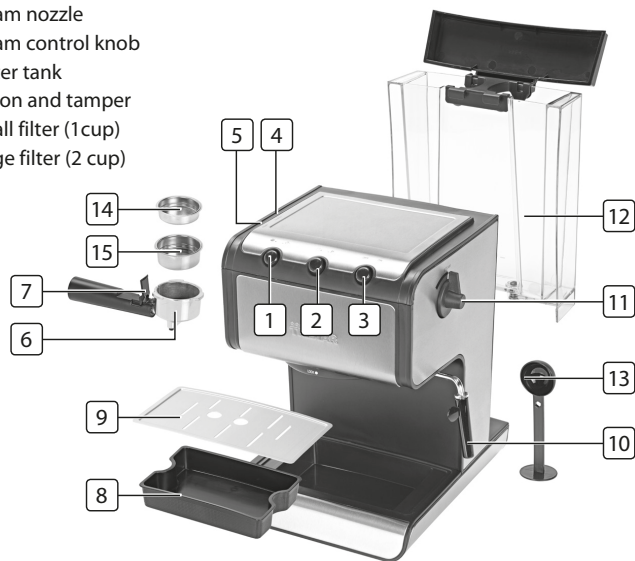
SAFETY INSTRUCTIONS

- Please read the instruction manual carefully before using the device. Please keep these instructions, the guarantee certificate, the sales receipt and, if possible, the carton with the inner packaging.
- This appliance is not intended to be used by persons (including children) with reduced physical, sensory or mental capabilities, or lack of experience and knowledge, unless they have been given supervision or instructions concerning the use of the appliance by a person that is responsible for their safety.
- By ignoring the safety instructions the manufacturer can not be hold responsible for the damage.
- To protect children against the dangers of electrical appliances, please make sure that you never leave the appliance unattended. Therefore you have to select a storage place for the appliance where children are not able to grab it. Make sure that the cable is not hanging in a downward position.
- This appliance is only to be used for household purposes and only for the purpose it is made for.
- The appliance must be placed on a stable, level surface.
- Do not use when the appliance is fallen, if there are any signs of damage or when it leaks.
- Do not touch hot surfaces. Use handles or knobs.
- Never use the device unsupervised.
- Extreme caution is advised when moving an appliance containing hot liquids.
- All repairs should be made by a competent qualified repair service(*).
- Make sure that the appliance is stored in a dry environment.
- It is absolutely necessary to keep this appliance clean at all times, because it comes into direct contact with food.
- Check if the voltage of the appliance corresponds to the main voltage of your home. Rated voltage: AC230V 50Hz. The socket must be at least 16A or 10 A slow-protected.
- This appliance complies with all standards regarding electromagnetic fields (EMF). If handled properly and according to the instructions in this user manual, the appliance is safe to use based on scientific evidence available today.
- The use of accessory that are not recommended by the manufacturer can cause injuries and will invalidate any warranty that you may have.
- Never move the appliance by pulling the cord and make sure the cord can not become entangled.
- Allow the appliance to cool down before you clean or store it.
- To protect yourself against an electric shock, do not immerse the cord, plug or appliance in the water or any other liquid.
- Unplug the appliance from the socket when changing the spare parts or for maintenance.
- Do not use this appliance with a damaged cord or plug or when the appliance has malfunctions, or has been damaged in any manner. To avoid a hazard make sure that a damaged cord or plug will be replaced by an authorized technician(*). Do not repair this appliance yourself.

- Do not use this appliance near direct heat sources.
 - Unplug the appliance from the socket when you are not using it.
 - Allow the device to cool down before you are going to remove or replace spare parts.
 - Make sure that the cord is not hanging over the edge of the table or counter, does not touch any hot surfaces or is coming directly into contact with the hot parts of the appliance. Do not place the appliance underneath or close to curtains, window coverings etc.
 - Make sure the cord does not touch the hot parts of the appliance.
 - Do not use this appliance in the bathroom or near a sink filled with water. If this appliance has fallen into the water do not under no circumstances directly grab this appliance, but first pull the plug from the socket.
 - Never use the appliance if the jug shows any signs of damage. Only use the jug with this appliance. The glass of the jug is very fragile, so handle with care.
 - Be careful, do not get burned by the steam which is evaporating from the coffee filter.
 - Only use vinegar or a dedicated product for the removal of lime scale. Never use ammonia or any other substance that might damage your health.
 - Make sure that the maximum level will never be exceeded.
- * *Competent qualified repair service: after sales department of the producer or importer or any person who is qualified, approved and competent to perform this kind of repairs in order to avoid all danger. In any case you should return the appliance to this repair service.*

PARTS DESCRIPTION

1. Coffee/steam button
2. Pump control button
3. On/off button
4. Heating indicator
5. Power indicator
6. Filter holder
7. Filter lock (use this lock when removing the coffee residue)
8. Drip tray
9. Removable shelf
10. Steam nozzle
11. Steam control knob
12. Water tank
13. Spoon and tamper
14. Small filter (1 cup)
15. Large filter (2 cup)



BEFORE THE FIRST USE

- To ensure the first cup of coffee tastes excellent, you should rinse the coffee maker with warm water.
- Pull out the tank and pour water into it, the water level should not exceed the "max" mark in the tank. Then replace the water tank.
- Place one of the filters into the filter holder (without coffee)
- Place an espresso cup on the removable shelf. Make sure the steam control knob is in the "off" position.
- Activate the appliance by pressing down the on/off button, the power indicator will illuminate.
- Press down the pump control button, the device starts pumping water, when the water flows out stop the pump by pressing the pump control button (the purpose of this step is pumping water out of the water tank into the housing).
- Make sure the coffee/steam button is in the higher position and wait until the heating indicator is illuminated, this indicates the preheating is finished. Pressing the pump control button to the lower position, the water will flow out.
- After this process you can start brewing.
- Note: there may be some noise when pumping the water the first time, this is normal, the appliance is releasing the air in the appliance. After about 20 seconds the noise will disappear.

PREHEATING

- To make a cup of good hot espresso coffee, we recommend you to preheat the appliance before making coffee, including the filter holder, and cup, so that the coffee flavor can't be influenced by the cold parts.
- For preheating please follow the same steps as described in the paragraph "before the first use".

MAKE ESPRESSO COFFEE

- Remove after preheating the filter holder by turning it clockwise, add ground coffee in the filter by using the supplied spoon. One spoon ground coffee can make about a cup of top grade coffee. Press the ground coffee powder tightly with the tamper.
- Place the filter into the filter holder, make sure the handle of the filter holder aligns with the groove in the appliance, then insert the filter holder into the appliance and turn it anticlockwise until it's in the lock position with the handle pointing forward.
- Pour out the hot water from the preheating process and replace the cup under the appliance.
- When the heating indicator illuminates you should press down the pump control button to the lower position, now the coffee will flow out.
- Note: if the heating indicator is extinguished please press the pump control button to stop making espresso. After a few seconds, when the heating indicator illuminates again you could resume the pump process.
- When you've obtained the desired amount of coffee or the color changed weak, please press the on/off button, the power indicator will extinguish and the coffee maker stops working, your coffee is ready now.
- Note: do not leave the coffee maker unattended during making coffee, sometimes you need to operate manually.
- After finishing making the coffee, please take out the filter holder, lock the filter, and pour out the coffee residue.

FROTHING MILK/ MAKE CAPPUCCINO

- You get a cappuccino when you top up a cup of espresso with frothing milk.
- Press down the coffee/steam button to the lower position which is the steam position, wait until the heating indicator illuminates.

- Note: make sure the steam control knob is turned to the off position.
- If the heating indicator illuminates press the coffee steam button to the higher position.
- Then press the pump control button and wait until the water is flowing out.
- When the water is flowing out press the coffee/steam button to the lower (steam) position and stop pumping water, wait until the heating indicator illuminates.
- Fill a jug with about 100 ml. of milk for each cappuccino to be prepared, we recommend to use only whole milk at refrigerator temperature (not hot). In choosing the size of the jug we recommend to use a jug which volume is about 450ml. With a diameter between 65mm. And 75mm. Bear in mind that the milk increases in volume by 2 times, make sure the cup is high enough.
- Insert the steam nozzle about two centimeter into the milk, then turn the steam control knob slowly anti-clockwise, now the steam will come out, move the jug round and up and down while frothing.
- Note: never turn the steam control knob rapidly.
- When the required purpose is reached, you can turn the steam control knob to the off position and turn off the coffee maker.
- Note: clean the steam nozzle immediately after use, please be aware you do not burn yourself.
- Note: we recommend to allow the device to cool down at least for 5 minutes before making coffee again. Otherwise burnt odor may occurred in your espresso coffee.

CLEANING AND MAINTENANCE

- Unplug the device and let it cool down completely before cleaning.
- Clean the housing of the device with a damp cloth. Clean the water tank, drip tray and removable shelf regularly under warm running water.
- Detach the filter holder by turning it clockwise, then pour out the coffee residue and clean it with a cleaner, make sure you rinse the parts with clear water after cleaning.
- Dry all the parts after cleaning thoroughly.

Cleaning mineral deposits

- To make sure your coffee maker operating efficiently, you should remove the mineral deposits left every 2-3 months.
- Fill the tank with water and descaler (water/descaler ratio: 4:1).
- Simply follow the steps for making espresso and frothing milk and rinse the device with the water/descaler mixture.
- Make sure you always rinse the device with clear water after rinse it with the water/descaler mixture.

GUARANTEE

- Tristar is not liable for damages occurred through:
 - In case the appliance has fallen.
 - In case the appliance has been technically changed by the owner or another third party.
 - In case of improper use of the appliance.
 - In case of normal wear of the appliance.
- By executing repairs the original warranty period of 2 years will not be extended, nor the right to a complied new warranty. This warranty

- is only legal on European soil. This warranty does not overrule the European directive 1944/44CE.
- Always keep your receipt, without this receipt you can not claim any form of warranty whatsoever.
 - Damage caused by not following the instruction manual will lead to a void of warranty, if this results in consequential damages Tristar will not be liable.
 - Tristar will not be liable for material damage or personal injury caused by improper use or if the safety instructions are not properly executed.
 - Cleaning, as mentioned in this manual, is the only necessary maintenance for this appliance.
 - When the appliance should be repaired, make sure that this will be performed by an authorized company.
 - This appliance may not be amended or changed.
 - If problems arise during the 2 years from the date of purchase, which are covered by the factory warranty, you can go back to the point of purchase to replace it for a new one.
 - For questions or compliances please contact your retailer "point of purchase."
 - This appliance is covered with a 24 month guarantee starting on the date of purchase (receipt).
 - Only material or manufacturing defects are included in this warranty.
 - If you wish to make a claim please return the entire machine in the original packaging to your dealer together with the receipt.
 - Damage to accessories does not mean automatic free replacement of the whole appliance. In such cases please contact our hotline. Broken glass or breakage of plastic parts are always subject to a charge.
 - Defects to consumables or parts subject to wearing, as well as cleaning, maintenance or the replacement of these parts are not covered by the guarantee and hence are to be paid!
- The guarantee lapses in case of unauthorized tampering.
 - After the expiry of the guarantee repairs can be carried by the competent dealer or repair service against the payment of the ensuing costs.



GUIDELINES FOR PROTECTION OF THE ENVIRONMENT

This appliance should not be put into the domestic garbage at the end of its durability, but must be offered at a central point for the recycling of electric and electronic domestic appliances. This symbol on the appliance, instruction manual and packaging puts your attention to this important issue. The materials used in this appliance can be recycled. By recycling used domestic appliances you contribute an important push to the protection of our environment. Ask your local authorities for information regarding the point of recollection.

Packaging

The packaging is 100% recyclable, return the packaging separated.

Product

This device is equipped with a mark according to the European Directive 2012/19/EU on Waste Electrical and Electronic Equipment (WEEE). By ensuring that this product will be correctly processed into waste, it will help prevent possible negative consequences for the environment and human health.

EC declaration of conformity

This appliance is designed to come into contact with food and is designed in accordance with EC Directive 1935/2004/EEC

This device is designed, manufactured and marketed in accordance with the safety objectives of the Low Voltage Directive "No 2006/95/EC", the protection requirements of the EMC Directive 2004/108/EC "Electromagnetic Compatibility" and the requirement of Directive 93/68/EEC.

Geachte klant,

Gefeliciteerd met de aankoop van dit kwaliteitsproduct. Lees de gebruiksaanwijzing zorgvuldig door zodat u optimaal gebruik kunt maken van dit apparaat. In deze handleiding vindt u alle benodigde aanwijzingen en adviezen voor het gebruik, schoonmaak en onderhoud van het apparaat. Als u deze aanwijzingen volgt, heeft u altijd een uitstekend resultaat, bespaart u tijd en kunt u problemen voorkomen. Wij hopen dat u dit apparaat met plezier zult gebruiken.

VEILIGHEIDSVOORSCHRIFTEN

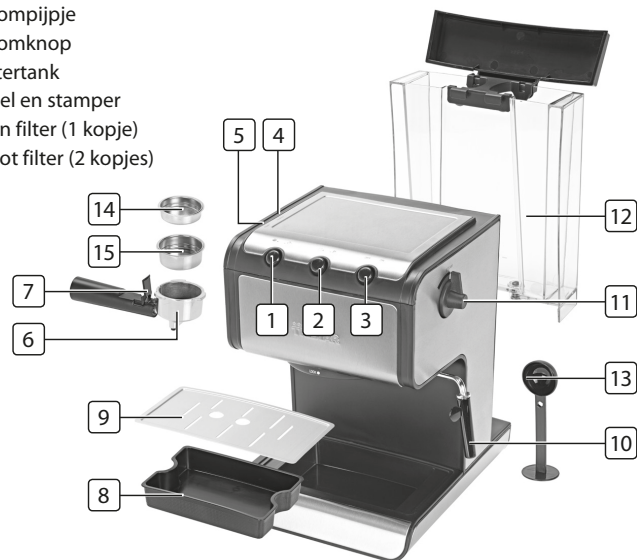
- Lees de gebruiksaanwijzing aandachtig door voordat u het apparaat voor het eerst gebruikt. Bewaar de gebruiksaanwijzing, het garantiecertificaat, de verkoopbon en indien mogelijk de kartonnen doos met de binnenste verpakking om deze indien nodig later te kunnen raadplegen.
- Dit apparaat is niet bedoeld voor gebruik door personen (waaronder kinderen) met verminderde lichamelijke, zintuiglijke of geestelijke vermogens, of die gebrek aan ervaring of kennis hebben, tenzij iemand die verantwoordelijk is voor hun veiligheid toezicht op hen houdt of hun heeft uitgelegd hoe het apparaat dient te worden gebruikt.
- Als de veiligheidsinstructies niet worden opgevolgd, kan de fabrikant niet verantwoordelijk worden gesteld voor schade die daar eventueel het gevolg van is.
- Om kinderen te beschermen tegen de gevaren van elektrische apparatuur mag u ze nooit zonder toezicht bij het apparaat laten. Selecteer daarom een plek voor uw apparaat op dusdanige wijze dat kinderen er niet bij kunnen. Zorg ervoor dat het snoer niet naar beneden hangt.
- Dit apparaat is alleen voor huishoudelijk gebruik en voor het doel waar het voor bestemd is.
- Het apparaat moet worden geplaatst op een stabiele, vlakke ondergrond.
- Dit apparaat mag niet gebruikt worden als het gevallen is, er tekenen van schade zijn of als het lekt.
- Raak hete oppervlakken niet aan. Gebruik hendels of draaiknoppen.
- Laat het apparaat nooit onbeheerd achter wanneer het in werking is.
- Uiterste voorzichtigheid is geboden bij het verplaatsen van een apparaat dat hete dranken bevat
- Reparaties dienen te geschieden door een bekwame gekwalificeerde dienst(*).
- Zorg dat het apparaat opgeborgen wordt op een droge plaats.
- Het is noodzakelijk om dit toestel zuiver te houden, aangezien het in direct contact komt met eetwaren.
- Controleer of het voltage dat wordt aangegeven op het apparaat, overeenkomt met de plaatselijke netspanning voordat u het apparaat aansluit. Voltage 230V 50Hz. De contactdoos moet met ten minste 16 A of 10 A traag beveiligd zijn.
- Dit apparaat voldoet aan alle richtlijnen met betrekking tot elektromagnetische velden (EMV). Mits het apparaat op de juiste wijze en volgens de instructies in deze gebruiksaanwijzing wordt gebruikt, is het veilig te gebruiken volgens het nu beschikbare wetenschappelijke bewijs.
- Gebruik nooit accessoires die niet aanbevolen worden door de fabrikant. Deze kunnen gevaar opleveren voor de gebruiker en schade toebrengen aan het apparaat.
- Verplaats het apparaat nooit door aan het snoer te trekken en zorg ervoor dat het snoer nergens in verstrikt kan raken.
- Zorg ervoor dat het apparaat afgekoeld is voordat u het schoonmaakt en opbergt.
- Dompel het snoer, de stekker en/of het apparaat nooit in het water of een andere vloeistof, dit om u te beschermen tegen een elektrische schok.
- Haal de stekker uit het stopcontact als u toebehoren wisselt en voor onderhoudswerkzaamheden.

- Gebruik het apparaat niet indien de stekker, het netsnoer of het apparaat zelf beschadigd is. Indien het netsnoer beschadigd is, moet u het laten vervangen door een bekwame gekwalificeerde dienst(*) om gevaar te voorkomen.
- Gebruik het apparaat nooit in de buurt van directe hittebronnen.
- Haal de stekker uit het stopcontact wanneer het apparaat niet gebruikt wordt.
- Laat het apparaat afkoelen alvorens onderdelen te verwijderen of te monteren.
- Laat het snoer niet over de rand van de tafel hangen of tegen hete oppervlakken. Plaats het product niet onder of dichtbij de gordijnen, raambekleding enz.
- Zorg dat het snoer niet in aanraking komt met de warme onderdelen van het apparaat.
- Gebruik het apparaat nooit in de buurt van een met water gevulde gootsteen of iets dergelijks. Pak een apparaat dat in het water is gevallen nooit zomaar vast, maar trek eerst de stekker uit het stopcontact.
- Gebruik dit toestel enkel indien de koffiekannan geen enkele beschadiging vertoont. Gebruik de koffiekannan enkel met dit toestel. Wees voorzichtig met de kan, aangezien het glas breekbaar is.
- Pas op dat u zich niet brandt aan de stoom die boven uit het koffiefilter ontsnapt.
- Gebruik voor het ontkalken azijn of een speciaal hiertoe bestemd product. Gebruik geen ammoniak of andere stof die uw gezondheid zou kunnen schaden.
- Zorg dat u het maximumpeil bij het vullen niet overschrijdt.

* *Bekwame gekwalificeerde dienst: after-sales dienst van de fabrikant of de importeur, die erkend en bevoegd is om dergelijke reparaties te doen zodat elk gevaar vermeden wordt. Gelieve het toestel bij problemen naar deze dienst terug te brengen.*

OMSCHRIJVING ONDERDELEN

1. Koffie/stoomknop
2. Pompbedieningsknop
3. Aan/uitknop
4. Verwarmingsindicator
5. Power indicatielampje
6. Filterhouder
7. Filterslot (gebruik dit slot wanneer u de koffiedrab verwijdert)
8. Lekbakje
9. Verwijderbaar plaatje
10. Stoompijpje
11. Stoomknop
12. Watertank
13. Lepel en stamper
14. Klein filter (1 kopje)
15. Groot filter (2 kopjes)



VOOR HET EERSTE GEBRUIK

- Om ervoor te zorgen dat de koffie vanaf de eerste kop uitstekend smaakt, moet u het koffiezetapparaat met warm water omspoelen.
- Verwijder de tank en vul deze met water. Het niveau mag niet boven de “max” markering komen. Plaats de watertank terug.
- Plaats een van de filters in de filterhouder (zonder koffie)
- Zet een espressokopje op het verwijderbare plaatje. Zorg ervoor dat de stoomknop in de “uit” positie staat.
- Zet het apparaat aan door de aan/uit-knop in te drukken. Het power indicatielampje zal nu gaan branden.
- Druk de knop voor de pompbediening in. Het apparaat begint nu water te pompen. Wanneer het water naar buiten stroomt stopt u de pomp door weer op de knop voor de pompbediening te drukken (de bedoeling hiervan is het pompen van water uit de tank in de behuizing).
- Zorg ervoor dat de koffie/stoomknop omhoog staat en wacht tot de verwarmingsindicator brandt. Dit geeft aan dat het voorverwarmen klaar is. Druk de schakelaar voor de pompbediening naar beneden en laat het water stromen.
- Na dit proces kunt u beginnen met het koffiezetten.
- Let op: er kan wat lawaai te horen zijn wanneer het water voor de eerste keer opgepompt wordt. Dit is normaal. De aanwezige lucht in het apparaat komt vrij. Na ongeveer 20 seconden zal dit lawaai verdwijnen.

VOORVERWAMEN

- Om een goed hete kop espresso te maken, raden we u aan het apparaat, filterhouder en kopje voor te verwarmen voor u begint met koffiezetten zodat de smaak van de koffie niet wordt beïnvloed door koude delen.

- Voor het voorverwarmen volgt u dezelfde stappen als beschreven in de paragraaf “Voor het eerste gebruik”.

MAKEN VAN ESPRESSO

- Verwijder de filterhouder na het voorverwarmen door deze met de klok mee te draaien. Doe er met de meegeleverde lepel gemalen koffie in. Een lepel gemalen koffie geeft ongeveer één uitstekende kop koffie. Druk de gemalen koffie aan met de stamper.
- Plaats de filter in de filterhouder en zorg ervoor dat het handvat van de filterhouder in lijn is met de groef in het apparaat. Doe dan de filterhouder in het apparaat en draai deze tegen de klok in om hem te vergrendelen, uiteindelijk staat het handvat naar voren.
- Giet het hete water van het voorverwarmproces weg en zet het kopje terug onder het apparaat.
- Wanneer de verwarmingsindicator brandt moet u de pompbedieningsknop naar beneden drukken. Nu zal de koffie eruit stromen.
- Let op: wanneer de verwarmingsindicator uit is, druk dan op de pompbedieningsknop om te stoppen met het zetten van espresso. Na een paar seconden, wanneer de verwarmingsindicator weer brandt, kunt u verdergaan met het pompproces.
- Als u de gewenste hoeveelheid koffie heeft of de kleur wordt vager, druk dan op de aan/uitknop. De rood-groen indicator zal dan uitgaan en het koffiezetapparaat stopt. Uw koffie is nu klaar.
- Let op: laat het koffiezetapparaat niet onbeheerd achter tijdens het zetten van de koffie. Soms zult u handmatig verder moeten gaan.
- Na het maken van de koffie, haalt u de filterhouder eruit, vergrendelt u het filter en klopt u de koffiedrab uit het filter.

OPSCHUIMEN VAN MELK/ CAPPUCHINO MAKEN

- Een cappuchino wordt verkregen wanneer u een laag opgeschuimde melk op een kopje espresso doet.
- Druk de koffie/stoomknop omlaag zodat hij in de stoompositie staat en wacht tot de verwarmingsindicator brandt.
- Let op: Zorg ervoor dat de stoomknop in de "uit" positie staat.
- Wanneer de verwarmingsindicator brandt, druk dan de koffie/stoomknop omhoog.
- Druk de pompbedieningsknop in en wacht tot het water begint te stromen.
- Wanneer het water stroomt, druk dan de koffie/stoomknop omlaag (stomen) en stop het pompen van water. Wacht tot de verwarmingsindicator brandt.
- Vul een kan met ongeveer 100 ml. melk voor elke cappucino die gemaakt moet worden. Wij raden aan om alleen volle, gekoelde melk te gebruiken (geen warme melk). Wij raden het gebruik van een kan met een inhoud van ongeveer 450ml aan. Met een diameter tussen 65mm en 75mm. let op: het volume van de melk verdubbelt ongeveer dus zorg ervoor dat het kopje hoog genoeg is.
- Breng het stoompijpje ongeveer twee centimeter in de melk, draai dan de stoomknop langzaam tegen de klok in en de stomen zal bgeinnen. Beweeg de kan op en neer en heen en weer tijdens het opschuimen.
- Let op: draai nooit snel aan de stoomknop.
- Wanneer het gewenste resultaat is behaald kunt u de stoomknop naar uit draaien en het koffiezetapparaat uitzetten.
- Let op: maak stoompijpje meteen na het gebruik schoon, let er goed op dat u zichzelf niet brandt.
- Let op: wij raden aan het apparaat minstens 5 minuten af te laten afkoelen voor u weer begint met het zetten van koffie. Anders kan er een verbrande lucht aan uw espressokoffie zitten.

REINIGEN EN ONDERHOUD

- Haal de stekker uit het stopcontact en laat het apparaat volledig afkoelen voor u het schoonmaakt.
- Reinig de behuizing met een vochtige doek. Reinig de watertank, druppelvanger en het verwijderbare plaatje regelmatig met warm stromend water.
- Maak de filterhouder los door deze met de klok mee te draaien. Gooi dan de koffiedrab weg en maak de houder schoon. Spoel na het reinigen alle onderdelen goed na met schoon water.
- Droog alle delen zorgvuldig na het reinigen.

Verwijderen van kalkafzetting

- Om er voor te zorgen dat uw koffiezetapparaat goed werkt, dient u hem elke 2-3 maanden te ontkalken.
- Vul de tank met water en ontkalker (water/ontkalker verhouding: 4:1).
- Volg simpelweg de stappen voor het maken van espresso en het opschuimen van melk en spoel het apparaat met het water/ontkalker mengsel.
- Zorg ervoor dat u het apparaat na het ontkalken altijd spoelt met schoon water.

GARANTIEVOORWAARDEN

- Tristar is niet verantwoordelijk voor schade:
 - o Ten gevolge van een val of ongeluk.
 - o Indien het apparaat technisch is gewijzigd door gebruiker of derden.
 - o Door oneigenlijk gebruik van het apparaat.
 - o Door normale gebruiksslijtage.

- Door eventuele reparatie wordt de oorspronkelijke garantieperiode van 2 jaar niet verlengd. Deze garantie is slechts geldig op Europees grondgebied. Deze garantie heft de gebruikersrechten volgens Europese richtlijn 1944/44CE niet op.
- Bewaar altijd uw aankoopbewijs, zonder dit aankoopbewijs kunt u geen aanspraak maken op enige vorm van garantie.
- Bij schade veroorzaakt door het niet opvolgen van de gebruiksaanwijzing vervalt het recht op garantie! Voor vervolgschade die hieruit ontstaat is Tristar niet aansprakelijk.
- Voor materiële schade of persoonlijk letsel veroorzaakt door ondeskundig gebruik of het niet opvolgen van de veiligheidsvoorschriften is Tristar niet aansprakelijk. In dergelijke gevallen vervalt elke aanspraak op garantie.
- Anders dan het schoonmaken, zoals genoemd in deze handleiding, is aan dit apparaat geen onderhoud noodzakelijk.
- Indien er reparaties moeten worden uitgevoerd, mag dit uitsluitend door een geautoriseerd bedrijf gebeuren.
- Het product mag niet worden gewijzigd of veranderd.
- Indien zich problemen zouden voordoen gedurende 2 jaar na aankoopdatum, welke gedekt zijn door de fabrieksgarantie, kunt u het apparaat ter vervanging aanbieden bij uw aankooppunt.
- Voor vragen of klachten kunt zich melden bij uw verkooppunt.
- Dit apparaat heeft 24 maanden garantie vanaf de datum van aankoop (kassabon).
- Uitsluitend materiaal- en/of fabricagefouten komen in aanmerking voor deze garantie.
- Als u gebruik wilt maken van uw garantieaanspraak, zorgt u er dan voor dat u het volledige apparaat in zijn originele doos en aankoopbewijs inlevert bij uw aankooppunt.
- Schade aan accessoires of onderdelen betekent niet automatisch dat het gehele apparaat zal worden vervangen. In dit soort gevallen moet u contact opnemen met onze serviceafdeling. Afgebroken glazen/plastic onderdelen of accessoires vallen niet onder de garantie en zullen dus altijd tegen een vergoeding kunnen worden vervangen.
- Defecten aan hulpstukken of aan de slijtende onderdelen, alsmede reiniging, onderhoud of de vervanging van slijtende delen vallen niet onder de garantie en zullen dus in rekening worden gebracht!
- De garantie vervalt in geval van ongeoorloofde manipulatie.
- Na het verstrijken van de garantie kunnen reparaties worden uitgevoerd door de bevoegde dealer of reparatieservice tegen de betaling van de daaruit voortvloeiende kosten.



AANWIJZINGEN TER BESCHERMING VAN HET MILIEU

Dit product mag aan het einde van zijn levensduur niet bij het normale huisafval worden gedeponerd, maar dient bij een speciaal inzamelpunt voor het hergebruik van elektrische en elektronische apparaten te worden aangeboden. Het symbool op artikel, gebruiksaanwijzing en verpakking attendeert u hierop. De gebruikte grondstoffen zijn geschikt voor hergebruik. Met het hergebruik van gebruikte apparaten of grondstoffen levert u een belangrijke bijdrage aan de bescherming van ons milieu. Informeer bij uw lokale overheid naar het bedoelde inzamelpunt.

Verpakking

Het verpakkingsmateriaal is 100% recyclebaar, lever het verpakkingsmateriaal gescheiden in.

Product

Dit apparaat is voorzien van het merkteken volgens de Europese richtlijn 2012/19/EU inzake afgedankte elektrische en elektronische apparaten (WEEE). Door ervoor te zorgen dat dit product op de juiste manier als afval wordt verwerkt, helpt u mogelijk negatieve consequenties voor het milieu en de menselijke gezondheid te voorkomen.

EC-conformiteitsverklaring

Dit apparaat is ontworpen om in contact te komen met levensmiddelen en is ontworpen in overeenstemming met de EG-richtlijn 1935/2004/EEC.

Dit apparaat is ontworpen, vervaardigd en in de handel gebracht in overeenstemming met de veiligheidsdoeleinden van de "laagspanningsrichtlijn" nr. 2006/95/EC, de beschermingsvoorschriften van de EMC-richtlijn 2004/108/EC "Elektromagnetische compatibiliteit" en de vereiste van richtlijn 93/68/EG.

Cher client,

Félicitations et merci d'avoir acheté ce produit de haute qualité. Veuillez lire ce manuel d'instructions avec attention pour pouvoir profiter du meilleur de cet appareil. Ce manuel contient toutes les instructions et avis nécessaires pour l'utilisation, le nettoyage et l'entretien de l'appareil. Si vous suivez ces instructions, vous avez la garantie d'un excellent résultat, ceci vous économisera du temps et des soucis. Nous espérons que vous éprouverez beaucoup de plaisir en utilisant cet appareil.

INSTRUCTIONS DE SÉCURITÉ IMPORTANTES

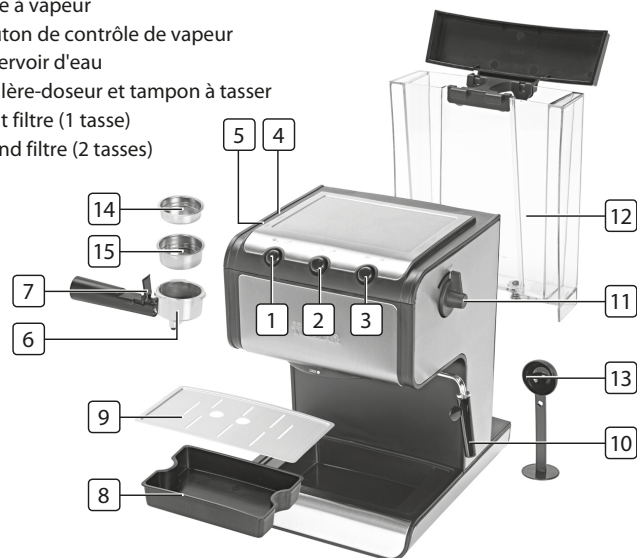
- Veuillez lire attentivement la notice d'emploi avant l'utilisation de l'appareil. Veuillez conserver cette notice, le certificat de garantie, le ticket de caisse et si possible, le carton avec l'emballage intérieur.
- Cet appareil n'est pas destiné à être utilisé par ces personnes (y compris les enfants) ayant des difficultés physiques, sensorielles ou mentales, ou sans expérience et connaissance, à moins de leur en donner la responsabilité ou d'être informés sur l'utilisation de l'appareil par une personne responsable de leur sécurité.
- Le fabricant ne sera pas tenu responsable de tous dommages si les consignes de sécurité ne sont pas respectées.
- Pour protéger les enfants des dangers des appareils électriques, veillez à ne jamais laisser les appareils sans surveillance. Par conséquent, il faudra choisir un lieu de rangement pour l'appareil inaccessible aux enfants. Veillez à ce que le cordon ne pende pas.
- Cet appareil est uniquement destiné à des utilisations domestiques et seulement dans le but pour lequel il est fabriqué.
- L'appareil doit être posé sur une surface stable et nivelée.
- Ne pas utiliser l'appareil s'il est tombé, s'il apparaît endommagé ou s'il fuit.
- Ne touchez pas les surfaces brûlantes. Utilisez les poignées ou les boutons.
- Ne jamais utiliser l'appareil sans supervision.
- Il est recommandé d'être extrêmement prudent lors du déplacement d'un appareil contenant des liquides chauds.
- Toutes les réparations doivent être effectuées par un Centre de réparation qualifié agréé (*).
- Veillez à ce que l'appareil soit rangé dans un lieu sec.
- Il est impératif de conserver cet appareil propre en permanence car il est en contact direct avec des aliments.
- Vérifiez si la tension de l'appareil correspond à la tension du secteur de votre domicile. Tension nominale : 230V CA 50Hz. La prise doit être d'au moins 16A ou 10A et à fusible lent.
- Cet appareil est conforme à toutes les normes des champs électromagnétiques (EMF). L'appareil est sans danger à l'utilisation selon les preuves scientifiques disponibles à ce jour, à condition de manipulation correcte et en respectant les consignes de cette notice d'emploi.
- L'utilisation d'accessoires qui ne sont pas recommandés par le fabricant peut entraîner des blessures et annulera toutes garanties en votre possession.
- Ne jamais déplacer l'appareil en tirant sur le cordon et veillez à ce que ce dernier ne devienne pas entortillé.
- Laissez refroidir l'appareil avant de le nettoyer ou de le ranger.
- Ne pas immerger le cordon, la prise ou l'appareil dans de l'eau ou autre liquide afin de vous éviter un choc électrique.
- Débranchez l'appareil de la prise lors du changement de pièces ou pour l'entretien.
- Ne pas utiliser cet appareil avec un cordon ou une prise endommagés ou s'il ne fonctionne pas correctement, ou a subi des dégâts quelconques. Afin d'éviter tous dangers, veillez à ce qu'un cordon ou prise endommagés soient remplacés par un technicien agréé (*). Ne réparez pas vous-même cet appareil.

- Ne pas utiliser cet appareil à proximité de sources directes de chaleur.
- Débranchez l'appareil de la prise lorsqu'il n'est pas utilisé.
- Laissez refroidir l'appareil avant de retirer ou de remplacer des pièces.
- Veillez à ce que le cordon ne soit pas suspendu au bord d'une table ou d'un comptoir, qu'il ne touche aucune surface chaude ou n'entre pas en contact direct avec des parties brûlantes de l'appareil. Ne pas positionner l'appareil sous ou à proximité de rideaux, de tentures, etc.
- Veillez à ce que le cordon ne touche pas les parties brûlantes de l'appareil.
- Ne pas utiliser cet appareil dans la salle de bain ou à proximité d'un évier rempli d'eau. Si cet appareil est tombé dans l'eau il ne faut en aucun cas le saisir directement. Débranchez d'abord la fiche de la prise.
- Ne jamais utiliser l'appareil si des traces d'endommagement sont visibles sur la carafe. N'utilisez la carafe qu'avec cet appareil. Le verre de cette carafe est très fragile, manipulez-le donc avec soin.
- Soyez prudent ! Ne vous brûlez pas avec la vapeur du filtre à café.
- N'utilisez que du vinaigre ou un produit approprié pour le détartrage. N'utilisez jamais d'ammoniaque ou d'autres substances pouvant nuire à votre santé.
- Veillez à ne jamais dépasser le niveau maximum.

* Centre de réparation qualifié agréé : Service après vente du fabricant ou de l'importateur ou tout autre personne qualifiée, agréé et apte à effectuer ce type de réparation afin d'éviter tous dangers. L'appareil doit, dans tous les cas, être renvoyé à cet Centre de réparation.

DESCRIPTION DES ÉLÉMENTS

1. Bouton Café/Vapeur
2. Bouton de contrôle de la pompe
3. Bouton On/Off (marche/arrêt)
4. Indicateur de chauffage
5. Indicateur d'alimentation
6. Porte-filtre
7. Anneau de blocage (utilisez cet anneau pour éliminer les résidus de café)
8. Tiroir d'égouttement
9. Plateau amovible
10. Buse à vapeur
11. Bouton de contrôle de vapeur
12. Réservoir d'eau
13. Cuillère-doseur et tampon à tasser
14. Petit filtre (1 tasse)
15. Grand filtre (2 tasses)



AVANT LA PREMIÈRE UTILISATION

- Afin de réussir votre première tasse de café, vous devez rincer la cafetière électrique avec de l'eau chaude.
- Retirez le réservoir et versez-y de l'eau, le niveau d'eau du réservoir ne doit pas dépasser le repère "max". Ensuite, remettez en place le réservoir d'eau.
- Placez l'un des filtres dans le porte-filtre (sans café).
- Placez une tasse à café expresso sur le plateau amovible. Vérifiez que le bouton de contrôle de vapeur est sur la position "Off".
- Allumez la cafetière en appuyant sur le bouton On/Off, l'indicateur d'alimentation s'allume.
- Appuyez le bouton de contrôle de la pompe, l'appareil amorce la pompe à eau : quand l'eau finit de s'écouler, arrêtez la pompe en appuyant le bouton de contrôle de la pompe (le but de ces opérations est de remplir le circuit d'eau avec l'eau du réservoir).
- Vérifiez que le bouton Café/Vapeur est en position haute et attendez que l'indicateur de chauffage s'allume indiquant que le préchauffage est achevé. En plaçant le bouton de contrôle de la pompe en position basse, l'eau s'écoule.
- Après ces opérations, vous pouvez commencer la préparation du café.
- Remarque: des bruits peuvent se produire la première fois que la pompe est amorcée, c'est un fonctionnement normal car l'air présent dans l'appareil est libéré. Après 20 secondes environ, les bruits disparaissent.

PRÉCHAUFFAGE

- Pour préparer une bonne tasse de café expresso, nous vous recommandons de préchauffer l'eau de la cafetière avant l'infusion, y compris le porte-filtre et la tasse, de façon à ce que la saveur du café ne soit pas altérée par des éléments froids.

- Pour le préchauffage, suivez les mêmes opérations décrites au paragraphe "Avant la première utilisation".

PRÉPARATION D'UN CAFÉ EXPRESSO

- Retirez après le préchauffage le porte-filtre en le tournant dans le sens des aiguilles d'une montre, ajoutez du café moulu dans le filtre en utilisant la cuillère. Une cuillère de café moulu suffit pour préparer une tasse de café de bonne qualité. Pressez fortement le café moulu avec le tampon à tasser.
- Placez le filtre dans le porte-filtre, vérifiez que la poignée du porte-filtre s'aligne avec la rainure de l'appareil, ensuite insérez le porte-filtre dans l'appareil et tournez-le dans le sens inverse des aiguilles d'une montre jusqu'à sa position de blocage avec la poignée dirigée vers l'avant.
- Faites couler de l'eau chaude préparée comme au préchauffage et remplacez la tasse sous l'appareil.
- Quand l'indicateur de chauffage s'allume, vous devez placer le bouton de contrôle de la pompe en position basse : le café s'écoule à présent.
- Remarque : si l'indicateur de chauffage est éteint, veuillez appuyer le bouton de contrôle de la pompe pour interrompre la préparation de l'expresso. Après quelques secondes, quand l'indicateur de chauffage se rallume, vous pouvez reprendre le processus avec la pompe.
- Quand la quantité souhaitée de café est obtenue ou si la couleur a changé légèrement, veuillez appuyer le bouton On/Off, les indicateurs rouge et vert s'éteignent et la cafetière cesse de fonctionner, votre café est alors prêt.
- Remarque : ne pas laisser la cafetière électrique sans surveillance lors de la préparation d'un café, il sera parfois nécessaire de réaliser des opérations manuelles.
- Après avoir préparé du café, veuillez retirer le porte-filtre, bloquer le filtre et éliminer les résidus de café.

PRÉPARATION D'UN CAPPUCCINO OU DE LAIT MOUSSEUX

- Vous obtenez une tasse de cappuccino lorsque vous versez du lait mousseux sur l'expresso.
- Placez le bouton Café/Vapeur en position basse de production de vapeur, attendez que l'indicateur de chauffage s'allume.
- Remarque : vérifiez que le bouton de contrôle de vapeur est tourné sur la position "Off".
- Quand l'indicateur de chauffage s'allume, placez le bouton Café/Vapeur en position haute.
- Ensuite appuyez le bouton de contrôle de la pompe et attendez que l'eau s'écoule.
- Quand l'eau s'écoule, placez le bouton Café/Vapeur en position basse (vapeur) et arrêtez le pompage de l'eau, attendez que l'indicateur de chauffage s'allume.
- Remplissez un bol avec 100 ml de lait pour chaque cappuccino à préparer, nous vous recommandons d'utiliser exclusivement du lait entier à la température de réfrigérateur (non chaud). Pour bien choisir le bol, nous vous recommandons d'utiliser un bol avec une capacité de 450 ml d'un diamètre entre 65 et 75 mm. Gardez à l'esprit que le lait augmente de 2 fois de volume, vérifiez que la tasse est assez grande.
- Insérez la buse à vapeur d'environ deux centimètres dans le lait, ensuite tournez doucement le bouton de contrôle de vapeur dans le sens inverse des aiguilles d'une montre, de la vapeur s'échappe alors, agitez le bol en le tournant et de haut en bas alors que la mousse se crée.
- Remarque : ne jamais tourner rapidement le bouton de contrôle de vapeur.
- Quand vous avez obtenu suffisamment de lait mousseux, vous pouvez tourner la commande de contrôle de vapeur sur la position "Off" et éteindre la cafetière électrique.

- Remarque : nettoyez immédiatement la buse à vapeur après son utilisation, veuillez faire attention à ne pas vous brûler.
- Remarque : nous vous recommandons de laisser refroidir l'appareil pendant au moins 5 minutes avant de préparer à nouveau du café. Autrement votre café expresso aura une odeur de brûlé.

NETTOYAGE ET ENTRETIEN

- Débranchez l'appareil et laissez-le refroidir complètement avant le nettoyage.
- Nettoyez le boîtier de l'appareil avec un chiffon humide. Nettoyez régulièrement le réservoir d'eau, le tiroir d'égouttement et le plateau amovible sous l'eau chaude courante.
- Démontez le porte-filtre en le faisant tourner dans le sens des aiguilles d'une montre, éliminez ensuite les résidus de café et nettoyez-le avec un détergent, veillez à rincer les éléments à l'eau propre après le nettoyage.
- Essuyez à fond tous les éléments après leur nettoyage.

Élimination des dépôts de tartre

- Pour garantir le bon fonctionnement de votre cafetière électrique, vous devez éliminer les dépôts de tartre incrustés tous les 2 ou 3 mois.
- Remplissez le réservoir d'eau et d'un détartrant (rapport eau/détartrant : 4:1).
- Suivez simplement les opérations de préparation d'un café et de lait mousseux et utilisez l'appareil avec le mélange eau/détartrant.
- Veillez à toujours rincer l'appareil avec de l'eau propre après avoir utilisé le mélange eau/détartrant.

GARANTIE

- Tristar n'est pas tenu responsable des dégâts intervenus :
 - o En cas de la chute de l'appareil
 - o En cas de modification technique de l'appareil par le propriétaire ou par un tiers
 - o En cas de mauvaise utilisation de l'appareil
 - o En cas d'usure normale de l'appareil
 - L'exécution de réparations ne prolongera pas la période originale de garantie de 24 mois, ni ne donnera droit à une nouvelle garantie conforme. Cette garantie n'est légale qu'en Europe. Cette garantie ne change pas la Directive Européenne 1944/44CE.
 - Conservez toujours votre reçu, il vous sera impossible de faire une réclamation sous garantie sans ce reçu.
 - Les dommages causés par le non respect de la notice d'emploi, entraineront l'annulation de la garantie, Tristar ne sera pas tenu responsable si des dégâts en résultent.
 - Tristar ne sera pas responsable des dégâts matériels ou des blessures physiques résultant de la mauvaise utilisation ou si les consignes de sécurité ne sont pas correctement suivies.
 - Le nettoyage mentionné dans cette notice est le seul entretien nécessaire à cet appareil.
 - Si la finition doit être réparée, veillez à ce que cela soit accompli par une société agréée.
 - Cet appareil ne peut pas être modifié ou changé.
 - En cas de problèmes durant les 2 ans suivant la date d'achat, qui sont couverts par la garantie du fabricant, il est possible de revenir chez le revendeur pour un échange contre un appareil neuf.
 - Veuillez contacter votre revendeur pour des questions ou des problèmes de conformités.
- Cet appareil est couvert par une garantie de 24 mois à partir de la date d'achat (reçu).
 - Seul le matériel défectueux ou les vices de fabrication sont inclus dans cette garantie.
 - Si une réclamation doit être faite, veuillez renvoyer l'appareil complet à votre revendeur dans l'emballage d'origine avec le reçu.
 - Si les accessoires sont endommagés, cela ne signifie pas que l'appareil complet sera remplacé gratuitement. Dans de tels cas, veuillez contacter notre assistance téléphonique. Du verre ou des pièces en plastique cassés sont toujours sujets à des frais.
 - Les défauts des consommables ou des pièces susceptibles à l'usure, ainsi que le nettoyage, l'entretien ou la réparation desdites pièces ne sont pas couverts par la garantie et doivent donc être payés.
 - La garantie est caduque en cas de modification non autorisée.
 - Après l'expiration de la garantie, les réparations peuvent être effectuées par un revendeur compétent ou par un réparateur contre un paiement pour les frais occasionnés.



DIRECTIVES POUR LA PROTECTION DE L'ENVIRONNEMENT

Cet appareil ne doit pas être jeté aux ordures ménagères à la fin de sa durée de vie, mais doit être rendu à un centre de recyclage d'appareils ménagers électriques et électroniques. Ce symbole sur l'appareil, la notice d'emploi et l'emballage attirent votre attention sur ce sujet important. Composants utilisés dans cet appareil sont recyclables. En recyclant les appareils ménagers. Usagés, vous contribuez à un apport important à la protection de notre. Environnement. Adressez vous aux autorités locales pour des renseignements concernant le centre de Recyclage

Emballage

L'emballage est 100% recyclable, retournez-le séparément.

Produit

Cet appareil comporte un symbole conforme à la Directive Européenne 2012/19/EU relative aux Déchets d'Equipements Electriques et Electroniques (WEEE). En veillant à ce que cet appareil soit correctement recyclé, des effets éventuellement nuisibles à l'environnement et à la santé humaine seront évités.

Déclaration de conformité EC

Cet appareil est destiné à être en contact avec de la nourriture et est conçu conformément à la directive CE 1935/2004/CEE.

Cet appareil est conçu, fabriqué et commercialisé conformément aux consignes de sécurité de "Low Voltage Directive "No 2006/95/EC, les conditions de protection de la Directive CEM 2004/108/EC "Compatibilité Electromagnétique" et la stipulation de la Directive 93/68/CEE.

Sehr geehrter Kunde,

Wir gratulieren Ihnen und bedanken uns für den Kauf dieses hochwertigen Produkts. Bitte lesen Sie sorgfältig die Bedienungsanleitung, um das Gerät bestmöglich nutzen zu können. Diese Anleitung beinhaltet alle erforderlichen Anweisungen und Empfehlungen für Gebrauch, Reinigung und Wartung des Geräts. Wenn Sie diese Anweisungen befolgen, garantieren wir ein hervorragendes Ergebnis, zeitsparend und problemlos. Wir hoffen, dass Sie mit diesem Gerät viel Vergnügen haben werden.

WICHTIGE SICHERHEITSVORKEHRUNGEN

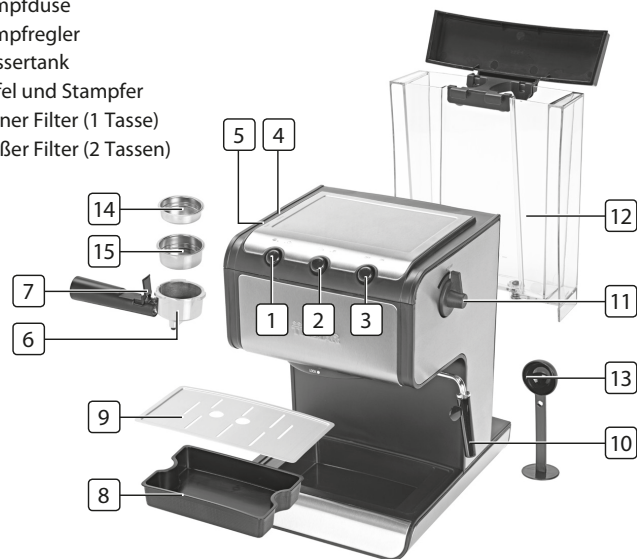
- Bitte lesen Sie die Bedienungsanleitung sorgfältig, bevor Sie das Gerät verwenden. Bitte bewahren Sie diese Anleitung, die Garantiekarte, die Rechnung und, wenn möglich, den Karton mit dem Verpackungsmaterial sorgfältig auf.
- Dieses Gerät darf nicht von Personen (einschließlich Kindern) mit eingeschränkten körperlichen, sensorischen oder geistigen Fähigkeiten, oder Mangel an Erfahrung und Wissen bedient werden, außer wenn sie unter Beaufsichtigung oder Anleitung bezüglich des Geräts von einer für ihre Sicherheit verantwortlichen Person stehen.
- Beim Ignorieren der Sicherheitshinweise kann der Hersteller nicht für Schäden haftbar gemacht werden.
- Um Kinder vor den Gefahren eines Elektrogeräts zu schützen, müssen Sie darauf achten, dass das Gerät niemals unbeaufsichtigt ist. Aus diesem Grund müssen Sie für das Gerät einen Aufbewahrungsort auswählen, den Kinder nicht erreichen können. Achten Sie darauf, dass das Kabel nicht herunter hängt.
- Dieses Gerät darf nur für Haushaltszwecke, und für die Anwendung, für die es hergestellt wurde, verwendet werden.
- Das Gerät muss auf einer ebenen, stabilen Fläche platziert werden.
- Benutzen Sie es nicht, wenn das Gerät heruntergefallen ist oder wenn es Anzeichen von Beschädigung aufweist oder wenn es nicht dicht ist.
- Berühren Sie keine heißen Oberflächen. Benutzen Sie Griffe oder Knöpfe.
- Lassen Sie das Gerät niemals unbeaufsichtigt.
- Extreme Aufmerksamkeit ist geboten, wenn das Gerät heiße Flüssigkeiten enthält.
- Alle Reparaturen müssen durch einen kompetenten, qualifizierten Reparaturzentrum durchgeführt werden(*).
- Stellen Sie sicher, dass das Gerät in einer trockenen Umgebung gelagert wird.
- Es ist absolut notwendig, dieses Gerät jederzeit sauber zu halten, da es in direkten Kontakt mit Lebensmitteln kommt.
- Überprüfen Sie, ob die Gerätespannung mit der Spannung Ihrer Hausversorgung übereinstimmt. Betriebsspannung: AC 230 V 50 Hz - 850 Watt. Die Anschlussdose muss mindestens mit 16A oder 10 A abgesichert sein.
- Dieses Gerät stimmt mit allen Standards elektromagnetischer Felder (EMF) überein. Wenn das Gerät ordnungsgemäß und den Anweisungen in dieser Bedienungsanleitung entsprechend behandelt wird, ist es sicher im Gebrauch, da es auf aktuellen wissenschaftlichen Grundlagen basiert.
- Die Benutzung von Zubehör, das nicht vom Hersteller empfohlen wurde, kann zu Verletzungen führen und den Garantieanspruch erlöschen lassen.
- Bewegen Sie das Gerät niemals, indem Sie am Kabel ziehen, und achten Sie darauf, dass das Kabel nicht verwickelt wird.
- Lassen Sie das Gerät abkühlen, bevor sie es reinigen oder lagern.
- Um sich vor einem Stromschlag zu schützen, tauchen Sie das Kabel, den Stecker oder das Gerät niemals in Wasser oder eine andere Flüssigkeit.
- Trennen Sie das Gerät vom Strom, bevor Sie Teile austauschen oder Wartungsarbeiten durchführen.
- Verwenden Sie das Gerät niemals, wenn Kabel oder Stecker beschädigt sind, oder wenn das Gerät eine Fehlfunktion aufweist, oder auf irgendeine Weise beschädigt wurde. Um einer Gefahr vorzubeugen, stellen Sie sicher, dass beschädigte Kabel oder Stecker von einem autorisierten Techniker (*) ausgetauscht werden. Reparieren Sie das Gerät nicht selbst.
- Verwenden Sie das Gerät niemals direkt neben einer Wärmequelle.
- Trennen Sie das Gerät vom Strom, wenn Sie es nicht verwenden.

- Lassen Sie das Gerät abkühlen, bevor Sie Ersatzteile entfernen oder ersetzen.
- Stellen Sie sicher, dass das Kabel nicht über die Kante eines Tisches oder einer Theke hängt, irgendeine heiße Oberfläche berührt oder in direkten Kontakt mit heißen Teilen des Geräts kommt. Platzieren Sie das Gerät nicht unter oder neben Gardinen, Fenstervorhängen usw.
- Stellen Sie sicher, dass das Kabel nicht mit heißen Teilen des Geräts in Berührung kommt.
- Benutzen Sie dieses Gerät nicht im Badezimmer oder in der Nähe des Waschbeckens, das mit Wasser gefüllt ist. Wenn dieses Gerät ins Wasser gefallen ist, greifen Sie unter keinen Umständen ins Wasser, um das Gerät herauszuholen, sondern ziehen Sie zuerst den Stecker aus der Steckdose.
- Benutzen Sie niemals das Gerät, wenn das Gefäß Anzeichen von Beschädigung aufweist. Benutzen Sie das Gefäß nur zusammen mit diesem Gerät. Das Glas des Gefäßes ist sehr zerbrechlich. Behandeln Sie es deshalb mit Sorgfalt.
- Seien Sie vorsichtig und verbrühen Sie sich nicht am Dampf, der aus dem Kaffeefilter entweicht.
- Benutzen Sie nur Essig oder ein für die Entfernung von Kalkablagerungen vorgesehenes Produkt. Benutzen Sie niemals Ammoniak oder irgendeine andere Substanz, die für Ihre Gesundheit schädlich sein könnten.
- Stellen Sie sicher, dass das maximale Niveau niemals überschritten wird.
- Dieses Gerät ist dazu bestimmt, im Haushalt und ähnlichen Anwendungen verwendet zu werden, wie beispielsweise: In Küchen für Mitarbeiter in Läden, Büros und anderen gewerblichen Bereichen. Von Kunden in Hotels, Motels und anderen Wohneinrichtungen. In Frühstückspensionen. In landwirtschaftlichen Anwesen.

* *Kompetenter, qualifizierter Reparaturzentrum: nach der Verkaufsabteilung des Herstellers oder des Importeurs oder jede Person, die qualifiziert, genehmigt und kompetent ist, um diese Art von Reparatur durchzuführen, um alle Gefahren zu vermeiden. In jedem Falle sollten Sie das Gerät zu diesem Reparaturzentrum zurückbringen.*

TEILEBEZEICHNUNG

1. Kaffee/Dampftaste
2. Pumpensteuerungstaste
3. Ein/Ausschalter
4. Heizkontrollleuchte
5. Betriebskontrollleuchte
6. Filterhalter
7. Filterverriegelung (diese Verriegelung beim Entfernen der Kaffeerückstände benutzen)
8. Tropfschale
9. Abnehmbare Ablage
10. Dampfduse
11. Dampfregler
12. Wassertank
13. Löffel und Stampfer
14. Kleiner Filter (1 Tasse)
15. Großer Filter (2 Tassen)



VOR ERSTINBETRIEBNAHME

- Um sicherzustellen, dass die erste Tasse Kaffee hervorragend schmeckt, sollten Sie den Kaffeeautomaten mit warmem Wasser ausspülen.
- Ziehen Sie den Tank ab und füllen Sie ihn mit Wasser, der Wasserstand sollte die "Max" Markierung im Tank nicht überschreiten. Anschließend setzen Sie den Tank wieder ein.
- Legen Sie einen Filter in den Filterhalter (ohne Kaffee)
- Stellen Sie eine Espressotasse auf die abnehmbare Ablage. Stellen Sie sicher, dass der Dampfregler auf "Aus" steht.
- Schalten Sie das Gerät durch Drücken des Ein/Ausschalters ein, die Betriebskontrollleuchte leuchtet.
- Drücken Sie die Pumpensteuerungstaste, das Gerät pumpt Wasser; wenn Wasser ausfließt, stoppen Sie die Pumpe durch Drücken der Pumpensteuerungstaste (dieser Schritt wird durchgeführt, um Wasser aus dem Wassertank in das Gehäuse zu pumpen).
- Stellen Sie sicher, dass die Kaffee/Dampftaste oben steht und warten Sie, bis die Heizkontrollleuchte leuchtet und anzeigt, dass das Vorheizen beendet ist. Durch Drücken der Pumpensteuerungstaste nach unten fließt das Wasser aus.
- Danach können Sie mit dem Brühen anfangen.
- Hinweis: Beim ersten Pumpen können Geräusche auftreten, das ist normal, das Gerät lässt die Luft in das Gerät ab. Nach ca. 20 Sekunden verschwindet das Geräusch.

VORHEIZEN

- Für die Zubereitung eines guten, heißen Espresso empfehlen wir, dass Sie das Gerät einschließlich Filterhalter und Tasse vor der Kaffeezubereitung vorheizen, damit das Kaffeearoma nicht von kalten Teilen beeinträchtigt wird.

- Für das Vorheizen befolgen Sie bitte dieselben Schritte wie in Abschnitt "Vor Erstinbetriebnahme" beschrieben.

ESPRESSO ZUBEREITEN

- Nach dem Vorheizen entfernen Sie den Filterhalter durch Drehen im Uhrzeigersinn und füllen gemahlene Kaffee mit dem mitgelieferten Löffel in den Filter. Aus einem Löffel mit gemahlene Kaffee kann ungefähr eine Tasse erstklassiger Kaffee zubereitet werden. Drücken Sie das gemahlene Kaffeepulver mit dem Stampfer fest.
- Legen Sie den Filter in den Filterhalter und stellen Sie sicher, dass der Griff des Filterhalters mit der Rille im Gerät abgeglichen ist. Dann setzen Sie den Filterhalter in das Gerät ein und drehen ihn gegen den Uhrzeigersinn, bis er einrastet, dabei muss der Griff nach vorne zeigen.
- Gießen Sie das heiße Wasser vom Vorheizen aus und stellen Sie die Tasse wieder unter das Gerät.
- Sobald die Heizkontrollleuchte leuchtet, drücken Sie die Pumpensteuerungstaste nach unten und der Kaffee fließt aus.
- Hinweis: Sobald die Heizkontrollleuchte erlischt, drücken Sie bitte die Pumpensteuerungstaste, um die Espressozubereitung zu stoppen. Wenn nach ein paar Sekunden die Heizkontrollleuchte wieder aufleuchtet, können Sie mit dem Pumpen fortfahren.
- Nach dem Erhalt der gewünschten Kaffeemenge oder wenn die Farbe verblasst, drücken Sie bitte den Ein/Ausschalter, die rote und die grüne Kontrollleuchte gehen aus und der Kaffeeautomat stellt den Betrieb ein. Ihr Kaffee ist jetzt fertig.
- Hinweis: Lassen Sie den Kaffeeautomaten während der Kaffeezubereitung nicht unbeaufsichtigt, ab und zu muss er manuell bedient werden.
- Nach der Kaffeezubereitung nehmen Sie bitte den Filter heraus, verriegeln den Filter und gießen die Kaffeerückstände aus.

MILCH AUFSCHÄUMEN/CAPPUCCINO ZUBEREITEN

- Wenn Sie auf eine Tasse Espresso aufgeschäumte Milch geben, erhalten Sie einen Cappuccino.
- Drücken Sie die Kaffee/Dampftaste nach unten in die Dampfposition und warten Sie, bis die Heizkontrollleuchte aufleuchtet.
- Hinweis: Der Dampfregler muss auf Aus gestellt sein.
- Nach dem Aufleuchten der Heizkontrollleuchte drücken Sie die Kaffee/Dampftaste nach oben.
- Anschließend drücken Sie die Pumpensteuerungstaste und warten, bis das Wasser ausläuft.
- Wenn das Wasser ausläuft, drücken Sie die Kaffee/Dampftaste nach unten (Dampfposition) und stoppen den Pumpvorgang, dann warten Sie, bis die Heizkontrollleuchte aufleuchtet.
- Füllen Sie für jeden Cappuccino einen Krug mit ca. 100 ml Milch. Wir empfehlen, nur Vollmilch mit Kühlschranktemperatur (nicht heiß) zu verwenden. Die Verwendung eines Krugs mit ca. 450 ml Füllmenge und einem Durchmesser zwischen 65 mm und 75 mm wird empfohlen. Beachten Sie, dass sich die Milchmenge verdoppelt, daher muss die Tasse hoch genug sein.
- Stecken Sie die Dampfdüse ca. 2 cm tief in die Milch, dann drehen Sie den Dampfregler langsam gegen den Uhrzeigersinn, jetzt tritt Dampf aus. Bewegen Sie während des Aufschäumens den Krug im Kreis und nach oben und unten.
- Hinweis: Den Dampfregler niemals schnell drehen.
- Wenn das gewünschte Ergebnis erreicht ist, können Sie den Dampfregler auf Aus stellen und den Kaffeeautomaten ausschalten.
- Hinweis: Reinigen Sie die Dampfdüse sofort nach Gebrauch und achten Sie bitte darauf, dass Sie sich nicht verbrennen.

- Hinweis: Es wird empfohlen, das Gerät vor der nächsten Kaffeezubereitung mindestens 5 Minuten abkühlen zu lassen. Ansonsten könnte Ihr Espresso verbrannt riechen.

REINIGUNG UND WARTUNG

- Vor der Reinigung Netzstecker ziehen und vollständig abkühlen lassen.
- Das Gehäuse des Geräts mit einem feuchten Tuch reinigen. Wassertank, Tropfschale und abnehmbare Ablage regelmäßig unter warmem, fließendem Wasser reinigen.
- Den Filterhalter durch Drehen im Uhrzeigersinn abnehmen, dann die Kaffeerückstände ausgießen und mit einem Reiniger reinigen. Die Teile müssen nach der Reinigung mit klarem Wasser abgespült werden.
- Nach der Reinigung alle Teile gründlich abtrocknen.

Kalkablagerungen entfernen

- Um sicherzustellen, dass Ihr Kaffeeautomat richtig funktioniert, sollten Sie die Kalkablagerungen alle 2-3 Monate entfernen.
- Füllen Sie den Tank mit Wasser und Entkalker (Verhältnis Wasser/Entkalker: 4:1).
- Befolgen Sie einfach die Schritte für die Espressozubereitung und das Aufschäumen von Milch und spülen Sie das Gerät mit der Wasser/Entkalkermischung durch.
- Das Gerät muss nach dem Durchspülen mit der Wasser/Entkalkermischung immer mit klarem Wasser gespült werden.

GARANTIE

- Tristar ist nicht verantwortlich für Beschädigungen, die auftreten aufgrund von:
 - o Herunterfallen des Geräts.
 - o Technischen Veränderungen des Geräts durch den Eigentümer oder Dritte.
 - o Unsachgemäßer Verwendung des Geräts.
 - o Normalem Verschleiß des Geräts.
 - Bei Durchführung von Reparaturen am Gerät wird die ursprüngliche Garantiezeit von 24 Monaten nicht verlängert, es entsteht auch kein Recht auf eine neue Garantie. Diese Garantie gilt nur auf europäischem Boden. Diese Garantie setzt die Europäische Richtlinie 1944/44CE nicht außer Kraft.
 - Bewahren Sie die Rechnung immer auf, ohne diese Rechnung können Sie keine Form der Garantie einfordern.
 - Beschädigungen, die durch Nichtbefolgen der Bedienungsanleitung entstehen, führen zu einem Garantieverlust, wenn das zu nachfolgenden Beschädigungen führt, kann Tristar nicht zur Verantwortung gezogen werden.
 - Tristar ist nicht verantwortlich für Material- oder Personenschäden, die durch unsachgemäße Handhabung oder durch unsachgemäße Ausführung der Sicherheitsanweisungen verursacht werden.
 - Eine Reinigung ist, wie in dieser Bedienungsanleitung erwähnt, der einzige Wartungsvorgang, der für dieses Gerät notwendig ist.
 - Wenn das Gerät repariert werden muss, stellen Sie bitte sicher, dass dies von einer autorisierten Firma durchgeführt wird.
 - Dieses Gerät darf nicht ergänzt oder verändert werden.
 - Wenn während der ersten 2 Jahre ab Kaufdatum Probleme auftreten, die von der Werksgarantie abgedeckt sind, können Sie das Gerät am Einkaufsort gegen ein neues umtauschen lassen.
- Bei Fragen oder Beanstandungen wenden Sie sich bitte an Ihren Händler.
 - Dieses Gerät hat eine Garantie von 24 Monaten ab Kaufdatum (Quittung).
 - In dieser Garantie sind nur Material- oder Herstellungsfehler eingeschlossen.
 - Wenn Sie einen Anspruch geltend machen möchten, reichen Sie bitte das vollständige Gerät in der Originalverpackung mit der Quittung bei Ihrem Händler ein.
 - Die Beschädigung von Zubehörteilen führt nicht automatisch zum kostenlosen Austausch des gesamten Geräts. Kontaktieren Sie in diesen Fällen bitte unsere Hotline. Glasbruch oder Bruch von Plastikteilen ist immer kostenpflichtig.
 - Defekte an Verbrauchsmaterialien oder Verschleißteilen, ebenso wie Reinigung, Wartung oder Austausch besagter Teile werden durch die Garantie nicht abgedeckt und sind daher kostenpflichtig!
 - Im Fall unsachgemäßer Produktmanipulation erlischt die Garantie.
 - Nach Ablauf der Garantie können Reparaturen durch den Fachhändler oder Reparaturservice kostenpflichtig durchgeführt werden.



UMWELTSCHUTZRICHTLINIEN

Dieses Gerät darf am Ende seiner Lebensdauer nicht im Hausmüll entsorgt werden, sondern muss an einer zentralen

■ Sammelstelle für das Recycling von elektrischen und elektronischen Haushaltsgeräten abgegeben werden. Dieses Symbol auf dem Gerät, der Bedienungsanleitung und der Verpackung lenkt Ihre Aufmerksamkeit auf diesen wichtigen Fakt. Das bei diesem Gerät verwendete Material kann recycled werden. Durch das Recyclen gebrauchter Haushaltsgeräte leisten Sie einen wichtigen Beitrag zum Umweltschutz. Fragen Sie Ihre örtliche Behörde nach Informationen bezüglich einer Sammelstelle.

Verpackung

Die Verpackung ist zu 100 % recyclebar, geben Sie die Verpackung getrennt zurück.

Produkt

Dieses Gerät ist in Übereinstimmung mit der Europäischen Richtlinie 2012/19/EU für die Entsorgung von elektrischen und elektronischen Geräten (WEEE) gekennzeichnet. Indem die korrekte Entsorgung des Produkts sichergestellt wird, werden mögliche negative Folgen für Umwelt und Gesundheit vermieden.

EC-Konformitätserklärung

Dieses Gerät wurde für den Kontakt mit Lebensmitteln und in Übereinstimmung mit der EU Richtlinie 1935/2004/EEC konstruiert. Dieses Gerät wurde in Übereinstimmung mit den Sicherheitszielen der Niederspannungsrichtlinie „Nr. 2006/95/EU, den Sicherheitsanforderungen der EMC Richtlinie 2004/108/EU "Elektromagnetische Kompatibilität" und den Anforderungen der Richtlinie 93/68/EEC konstruiert, hergestellt und vermarktet.

Estimado cliente,

Enhorabuena y gracias por comprar este product de alta calidad. Lea atentamente el manual de instrucciones para poder utilizar el aparato de la mejor manera posible. El manual incluye todas las instrucciones y consejos necesarios para utilizar, limpiar y mantener el aparato. Si sigue estas instrucciones le garantizamos unos resultados excelentes, ahorrará tiempo y evitará problemas. Esperamos que disfrute enormemente utilizando este aparato.

PRECAUCIONES IMPORTANTES

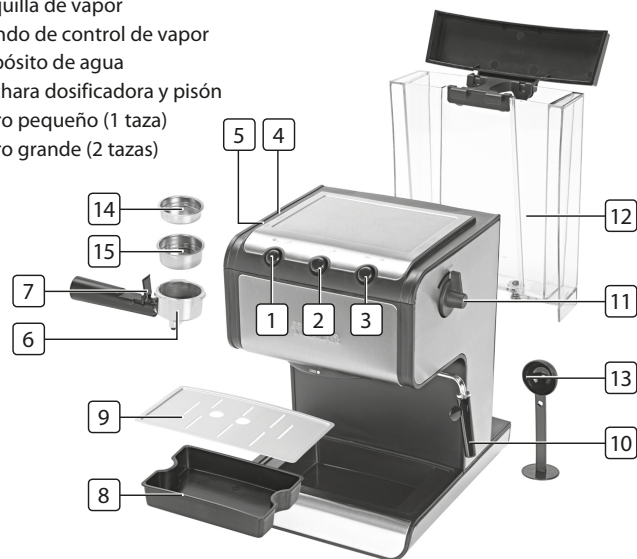
- Lea el manual de instrucciones detenidamente antes de utilizar el dispositivo. Guarde estas instrucciones, el certificado de garantía, el ticket de venta y, si es posible, el cartón con el embalaje interior.
- Este aparato no se ha diseñado para ser utilizado por personas con capacidades físicas, sensoriales o mentales reducidas, ni por personas con falta de experiencia y conocimientos (niños incluidos), a no ser que hayan recibido supervisión o instrucciones respecto al uso del aparato por parte de una persona responsable de su seguridad.
- Si ignora las instrucciones de seguridad, eximirá al fabricante de toda responsabilidad por posibles daños.
- Para proteger a los niños frente a los peligros de los aparatos eléctricos, asegúrese de no dejar los aparatos sin vigilancia. Elija un lugar de almacenamiento para el aparato donde los niños no puedan acceder a él. Asegúrese de que el cable no cuelgue hacia abajo.
- Este aparato se debe utilizar únicamente para el uso doméstico y sólo para las funciones para las que se ha diseñado.
- Este aparato se debe colocar sobre una superficie estable nivelada.
- No lo utilice cuando el aparato se haya caído, si hay algún signo de daños o si tiene fugas.
- No toque las superficies calientes. Utilice las asas o los mandos.
- No utilice el dispositivo sin supervisión.
- Se recomienda extremar las precauciones cuando se mueve un aparato que contiene líquidos calientes.
- Todas las reparaciones deberá realizarlas un centro de ceparación competente cualificado (*).
- Asegúrese de que el aparato esté almacenado en un entorno seco.
- Es absolutamente necesario mantener este aparato limpio en todo momento porque entra en contacto directo con los alimentos.
- Compruebe si el voltaje del electrodoméstico es igual la tensión principal de su hogar. Tensión nominal: CA 230 V 50 Hz. La toma debe ser de al menos 16 A o 10 A con protección frente a suministros lentos.
- Este aparato cumple con todos los estándares relativos a los campos electromagnéticos(CEM). Si se manipula correctamente conforme a las instrucciones de este manual de usuario, el uso del aparato será seguro según la evidencia científica disponible en la actualidad.
- El uso de accesorios no son recomendados por el fabricante puede provocar heridas e invalidar la garantía que pueda tener.
- No mueva el aparato tirando del cable y asegúrese de que el cable no se enrolle.
- Deje que el aparato se enfríe antes de limpiarlo o almacenarlo.
- Como medida de protección contra las descargas eléctricas, no sumerja el cable, el enchufe o el aparato en agua o cualquier otro líquido.
- Desenchufe el aparato de la toma cuando cambie piezas o realice tareas de mantenimiento.
- No utilice ningún aparato con el cable o el enchufe dañados, después de que se haya sufrido una avería o de que se haya dañado de cualquier manera. Para evitar riesgos, asegúrese de que un técnico autorizado (*) sustituya el cable o el enchufe dañado. No repare usted mismo el aparato.
- No utilice este aparato cerca de fuentes de calor directo.

- Desenchufe el aparato de la toma cuando no lo esté utilizando.
- Deje que el dispositivo se enfríe antes de quitar o sustituir repuestos.
- Asegúrese de que el cable no cuelgue por el filo de la mesa o encimera, no toque ninguna superficie caliente o entre en contacto directo con las partes calientes del aparato. No coloque el aparato debajo o cerca de las cortinas, persianas, etc.
- Asegúrese de que el cable no toque las partes calientes del aparato.
- No utilice el dispositivo en el cuarto de baño ni cerca de un fregadero llenó de agua. Si este aparato se ha caído en el agua, bajo ninguna circunstancia agarre el aparato, primero saque el enchufe de la toma.
- Nunca utilice el aparato si la jarra muestra signos de daños. Sólo utilice la jarra con este aparato. El cristal de la jarra es muy frágil, así que manéjela con cuidado.
- Tenga cuidado de no quemarse con el vapor que se evapora del filtro de café.
- Sólo utilice vinagre o un producto específico para la eliminación de las incrustaciones de cal. Nunca utilice amoníaco ni ninguna otra sustancia que pueda dañar su salud.
- Asegúrese de que nunca se supera el nivel máximo.

* *Centro de reparación competente cualificado: departamento post-venta del fabricante o importador o cualquier persona cualificada, autorizada y competente para realizar este tipo de reparación para evitar cualquier peligro. En cualquier caso deberá devolver el aparato a este centro de reparación.*

DESCRIPCIÓN DE LAS PIEZAS

1. Botón de café/vapor
2. Botón de control de la bomba
3. Botón de encendido/apagado
4. Indicador de calentamiento
5. Indicador de encendido
6. Portafiltro
7. Dispositivo de bloqueo del filtro (utilice este dispositivo al retirar los residuos de café)
8. Bandeja recogegotas
9. Repisa desmontable
10. Boquilla de vapor
11. Mando de control de vapor
12. Depósito de agua
13. Cuchara dosificadora y pisón
14. Filtro pequeño (1 taza)
15. Filtro grande (2 tazas)



ANTES DE UTILIZAR LA CAFETERA POR PRIMERA VEZ

- Para garantizar que la primera taza de café tenga un gusto excelente, debe lavar la cafetera con agua templada.
- Saque el depósito y eche agua dentro; el nivel del agua no debe sobrepasar la marca "max" del depósito. A continuación, vuelva a colocar el depósito de agua en su lugar.
- Coloque uno de los filtros en el portafiltro (sin café).
- Coloque una taza de café expreso en la repisa desmontable. Asegúrese de que el mando de control de vapor esté en la posición de desconexión ("off").
- Ponga en marcha el electrodoméstico apretando hacia abajo en botón de encendido/apagado: el indicador de encendido se iluminará.
- Pulse hacia abajo el botón de control de la bomba y el aparato comenzará a bombear agua; cuando comience a salir agua pare la bomba pulsando el botón de control de la bomba (este paso tiene por objeto bombear agua fuera del depósito de agua y hacia la carcasa).
- Asegúrese de que el botón de café/vapor esté en la posición superior y espere hasta que el indicador de calentamiento se ilumine: esto indica que el calentamiento previo ha terminado. Si se pulsa el botón de control de la bomba hasta la posición inferior, saldrá agua.
- Después de este proceso ya puede empezar a preparar el café.
- Nota: se puede producir algo de ruido al bombear el agua por primera vez: esto es normal, ya que el electrodoméstico está liberando el aire que tiene dentro. Este ruido desaparecerá después de unos 20 segundos.

CALENTAMIENTO PREVIO

- Para hacer una taza de buen café expreso caliente, recomendamos que caliente previamente el electrodoméstico antes de hacer café, incluido el portafiltro y la taza, para que las piezas frías no influyan en el sabor del café.
- Para realizar el calentamiento previo siga los mismos pasos que se describen en el párrafo "antes de utilizar la cafetera por primera vez".

CÓMO PREPARAR CAFÉ EXPRESO

- Después de llevar a cabo el precalentamiento retire el portafiltros, haciéndolo girar en sentido horario, añada café molido al filtro, utilizando la cuchara suministrada. Una cuchara de café molido puede equivaler a un café de primera calidad. Apriete firmemente el café molido con el pisón.
- Coloque el filtro en el portafiltro, asegurándose de que el mango del portafiltro quede alineado con la ranura del electrodoméstico; a continuación, introduzca el portafiltro en el electrodoméstico y gírelo en sentido antihorario hasta que quede fijo en su posición, con el mango apuntando hacia adelante.
- Vierta el agua caliente del proceso de calentamiento previo y vuelva a colocar la taza debajo del aparato.
- Cuando el indicador de calentamiento se ilumine debe pulsar hacia abajo el botón de control de la bomba hasta la posición inferior: ahora comenzará a salir el café.
- Nota: si el indicador de calentamiento se apaga, pulse el botón de control de la bomba para dejar hacer café expreso. Tras unos segundos, cuando el indicador de calentamiento se ilumine de nuevo, puede reanudar el proceso de la bomba.

- Cuando haya obtenido la cantidad de café deseada o el color se vuelva atenuado, pulse el botón de encendido/apagado. El indicador rojo y verde se apagan y la cafetera deja de funcionar: ahora su café ya está preparado.
- Nota: no deje la cafetera sin supervisión mientras se prepara el café, ya que a veces es necesario accionarla manualmente.
- Cuando termine de hacer el café, saque el portafiltro, fije en su posición el filtro y deseche los residuos del café.

CÓMO HACER UN CAPUCHINO / ESPUMA DE LECHE

- Podrá obtener un capuchino si completa la parte de superior de una taza de expreso con espuma de leche.
- Pulse hacia abajo el botón de café/vapor hasta la posición inferior, que es la posición del vapor, y espere hasta que el indicador de calentamiento se ilumine.
- Nota: asegúrese de que el mando de control de vapor esté situado en la posición de desconexión ("off").
- Si el indicador de calentamiento se ilumina, pulse el botón de vapor de café hasta la posición superior.
- A continuación, pulse el botón de control de la bomba y espere hasta que salga agua.
- Cuando comience a salir agua, pulse el botón de café/vapor hasta la posición inferior (vapor) y deje de bombear agua; espere hasta que el indicador de calentamiento se ilumine.
- Llene una jarra con unos 100 ml de leche para cada capuchino que se vaya a preparar; recomendamos utilizar solamente leche entera a temperatura del frigorífico (no caliente). A la hora de elegir el tamaño

de la jarra recomendamos utilizar una cuyo volumen sea de 450 ml aproximadamente y que tenga un diámetro entre 65 mm y 75 mm. Tenga en cuenta que la leche aumenta de volumen 2 veces, por lo que debe asegurarse de que la taza sea bastante alta.

- Introduzca la boquilla de vapor aproximadamente dos centímetros en la leche y después gire lentamente el mando de control de vapor en sentido antihorario; en ese momento saldrá vapor, mueva la jarra alrededor y arriba y abajo mientras se va formando la espuma.
- Nota: nunca se debe girar rápidamente el mando de control de vapor.
- Cuando se consiga el objetivo deseado, puede girar el mando de control de vapor a la posición de desconexión ("off") y apagar la cafetera.
- Nota: limpie la boquilla de vapor inmediatamente después de cada uso; tenga cuidado de no quemarse.
- Nota: recomendamos que deje enfriar el dispositivo al menos durante 5 minutos antes de volver a hacer café de nuevo. De lo contrario, se puede quedar cierto olor en su café expreso.

LIMPIEZA Y MANTENIMIENTO

- Desenchufe el aparato y déjelo enfriar completamente antes de proceder a su limpieza.
- Limpie la carcasa del dispositivo con un paño humedecido. Limpie el depósito de agua, la bandeja recogegotas y la repisa desmontable debajo de agua corriente templada.
- Separe el portafiltro girándolo en sentido horario y, a continuación, deseche los residuos de café y limpie el portafiltro con un limpiador; asegúrese de enjuagar las piezas con agua limpia después de limpiarlas.
- Seque todas las piezas después de limpiarlas a fondo.

LIMPIEZA DE LOS DEPÓSITOS MINERALES

- Para cerciorarse de que su cafetera funciona de manera eficaz, debe retirar los depósitos minerales que se acumulan cada 2-3 meses.
- Llene el depósito con agua y descalcificador (relación entre agua/descalcificador de 4:1).
- Sencillamente siga los pasos para hacer café expreso y espuma de leche y lave el aparato con la mezcla de agua/descalcificador.
- Asegúrese de lavar siempre el aparato con agua limpia después de haberlo enjuagado con la mezcla de agua/descalcificador.

GARANTÍA

- Tristar no es responsable de los daños que se produzcan:
 - o En caso de caída del aparato
 - o En caso de que el propietario o un tercero modifique técnicamente el aparato
 - o En caso de un uso incorrecto del aparato
 - o Por el desgaste habitual del aparato
- Al ejecutar reparaciones, no se ampliará el período de garantía original de 24 meses, ni el derecho a una nueva garantía. Esta garantía sólo tiene validez en territorio europeo. Esta garantía no anula la directiva europea 1944/44CE.
- Conserve siempre el ticket de compra, ya que sin él no podrá reclamar ningún tipo de garantía.
- Los daños provocados al no seguirse el manual de instrucciones darán lugar a una anulación de la garantía; Tristar no será responsable si se producen daños derivados.
- Tristar no será responsable de los daños materiales o lesiones personales causados por un uso incorrecto o si no se respetan las instrucciones de seguridad.

- Además de la limpieza, como se ha mencionado en este manual, es el único mantenimiento necesario para este aparato.
- Cuando se deba reparar el aparato, asegúrese de que lo lleve a cabo una empresa autorizada.
- Este aparato no puede ser modificado.
- Si se produce algún problema durante los dos años a partir de la fecha de compra, al estar cubierto por la garantía, podrá dirigirse al punto de compra y cambiar el aparato por uno nuevo.
- Si tiene cualquier pregunta o dudas acerca de conformidades, contacte a representante comercial de su "punto de compra"
- Este aparato está cubierto por una garantía de 2 años a partir de la fecha de compra (recibo).
- Esta garantía solo incluye defectos de fabricación o de los materiales.
- Si desea realizar una reclamación, devuelva la máquina completa en su embalaje original al representante comercial, junto con el recibo.
- Daños a los accesorios no garantizan una sustitución gratuita automática de la aparato entera. En tales casos póngase en contacto con nuestra línea de atención. La rotura de cristales o piezas de plástico siempre tendrá cargo.
- Los defectos de consumibles o piezas susceptibles al desgaste, así como la limpieza, mantenimiento o sustitución de dichas piezas, no están cubiertos por la garantía y, por tanto, deben pagarse.
- La garantía quedará anulada en caso de manipulación no autorizada.
- Tras la caducidad de la garantía, las reparaciones se pueden realizar por vendedores capacitados o por el servicio de reparaciones mediante el pago correspondiente.



NORMAS DE PROTECCIÓN DEL MEDIOAMBIENTE

Este aparato no se debe desechar con los residuos domésticos cuando finalice su durabilidad, sino que se debe ofrecer a un centro de reciclaje de aparatos eléctricos y electrónicos domésticos. Este símbolo en el aparato, manual de instrucciones y embalaje le avisa de este aspecto importante. El los materiales utilizados en este aparato se pueden reciclar. Mediante el reciclaje de electrodomésticos, usted contribuye a fomentar la protección del medioambiente. Consulte a sus autoridades locales para obtener información acerca del punto de recogida.

Embalaje

El embalaje es 100% reciclable, devuelva el embalaje por separado.

Producto

Este aparato está marcado de acuerdo con la Directiva Europea 2012/19/EU para Desechos de Aparatos Eléctricos y Electrónicos (WEEE). Si se asegura de que este producto se desecha correctamente, ayudará a prevenir posibles consecuencias negativas para medio ambiente y la salud humana.

Declaración de conformidad EC

Este aparato se ha diseñado para entrar en contacto con alimentos y se ha diseñado de acuerdo con la Directiva 1935/2004/EEC.

Este aparato ha sido diseñado, fabricado y comercializado de acuerdo con los objetivos de seguridad de la Directiva de Baja Tensión "Nº 2006/95/EC, los requisitos de protección de la Directiva EMC 2004/108/EC "Compatibilidad Electromagnética" y los requisitos de la Directiva 93/68/EEC.

Estimado cliente,

Parabéns e obrigado por ter adquirido este produto de elevada qualidade. Leia este manual de instruções cuidadosamente para que possa utilizar este aparelho da melhor forma. Este manual inclui todas as instruções e conselhos necessários para a utilização, limpeza e manutenção do aparelho. Se seguir estas instruções é garantido que terá excelentes resultados, que poupará tempo e que evitará problemas. Esperamos que se divirta a utilizar este aparelho.

CUIDADOS IMPORTANTES

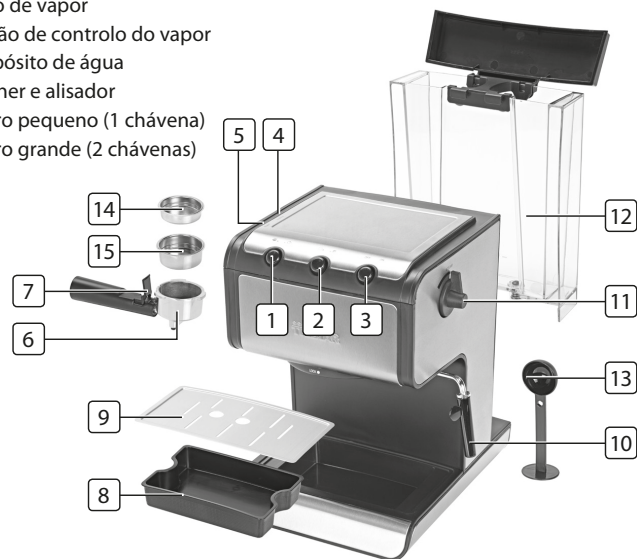
- Leia cuidadosamente o manual de instruções antes de utilizar o aparelho. Guarde estas instruções, o certificado de garantia, o comprovativo de compra e, se possível, a caixa com as embalagens interiores.
- Este aparelho não deve ser utilizado por pessoas (incluindo crianças) com capacidades físicas, sensoriais ou mentais reduzidas, ou com falta de experiência e conhecimento, a não ser que tenham recebido supervisão ou instruções sobre a utilização do aparelho por uma pessoa responsável pela sua segurança.
- Se não seguir as instruções de segurança, o fabricante não pode ser considerado responsável pelo dano.
- Para proteger as crianças contra os perigos de aparelhos eléctricos, certifique-se de que nunca deixa os aparelhos sem supervisão. Para isso, deve seleccionar um local de armazenamento para o aparelho onde as crianças não cheguem. Certifique-se de que o cabo não está pendurado para baixo.
- Este aparelho destina-se apenas a uma utilização doméstica e para os fins para os quais foi concebido.
- O aparelho deve ser colocado numa superfície plana e estável.
- Não use o aparelho quando este tiver caído e se houver sinais de danos ou de fugas.
- Não toque em superfícies quentes. Use pegas ou puxadores.
- Nunca utilize o aparelho sem supervisão.
- Aconselha-se usar de extrema precaução ao deslocar um aparelho contendo líquidos quentes.
- Todas as reparações devem ser realizadas por um reparação qualificado e competente (*).
- Certifique-se de que o aparelho é guardado num ambiente seco.
- É absolutamente necessário manter este aparelho sempre limpo uma vez que entra em contacto directo com alimentos.
- Verifique se a tensão do aparelho corresponde à corrente eléctrica de sua casa. Tensão indicada: 230 V CA 50Hz. A tomada deve ser de, pelo menos, 16 A ou 10 A de baixa protecção.
- Este aparelho está em conformidade com todos os padrões relativos a campos electromagnéticos (EMF). Se manuseado de forma adequada e de acordo com as instruções deste manual de instruções, o aparelho é seguro com base em provas científicas disponíveis actualmente.
- A utilização de acessórios que não sejam recomendados pelo fabricante pode provocar ferimentos e invalidará qualquer garantia que possa ter.
- Nunca mova o aparelho puxando o cabo e certifique-se de que nunca fica preso.
- Deixe o aparelho arrefecer antes de o limpar e guardar.
- Para se proteger de choque eléctrico, não mergulhe o cabo, a ficha ou o aparelho em água ou noutro líquido.
- Desligue o aparelho da tomada quando trocar para peças sobresselentes ou para manutenção.
- Não utilize este aparelho com um cabo ou ficha danificado ou quando o aparelho está avariado, após ocorrer avaria ou qualquer outro dano. Para evitar perigos, certifique-se de que o cabo ou a tomada danificados são substituídos por um técnico autorizado (*). Não repare o aparelho sozinho.

NL

- Não utilize este aparelho próximo de fontes de calor directas.
 - Desligue o aparelho da tomada quando não o estiver a utilizar.
 - Deixe arrefecer o aparelho antes de o deslocar ou de substituir peças.
 - Certifique-se de que o cabo não fica pendurado no canto da mesa ou do balcão, não toca em nenhuma superfície quente nem entra em contacto directo com as partes quentes do aparelho. Não coloque o aparelho por baixo ou perto de cortinas, coberturas de janelas, etc.
 - Certifique-se de que o cabo não entra com contacto com partes quentes do aparelho.
 - Não utilize este aparelho na casa de banho ou nas proximidades de um lavatório com água. Se este aparelho tiver caído na água, não o agarre, em nenhuma circunstância. Primeiro, desligue-o da corrente.
 - Nunca use o aparelho se o jarro apresentar quaisquer sinais de danos. Use o jarro só com este aparelho. O vidro do jarro é muito frágil, por isso trate-o com cuidado.
 - Tenha cuidado para não se queimar com o vapor emitido pelo filtro do café.
 - Use apenas vinagre ou um produto específico para remover o calcário. Nunca use amoníaco ou qualquer outra substância que possa ser perigosa para a sua saúde.
 - Nunca ultrapasse o nível máximo.
- * *Reparação qualificado competente: departamento pós-venda do fabricante ou do importador ou qualquer outra pessoa qualificada, aprovada e competente para realizar este tipo de reparações para evitar perigos. De qualquer das formas, deve entregar o aparelho a esse reparação.*

DESCRIÇÃO DAS PEÇAS

1. Botão para café/vapor
2. Botão de controlo da bomba
3. Botão para ligar/desligar
4. Indicador de aquecimento
5. Indicador de alimentação eléctrica
6. Suporte do filtro
7. Bloqueio do filtro (utilize este bloqueio quando remover os resíduos de café)
8. Tabuleiro de recolha de água
9. Base amovível
10. Bico de vapor
11. Botão de controlo do vapor
12. Depósito de água
13. Colher e alisador
14. Filtro pequeno (1 chávena)
15. Filtro grande (2 chávenas)



ANTES DA PRIMEIRA UTILIZAÇÃO

- Para assegurar que a primeira chávena de café tenha um óptimo sabor, deve enxaguar a máquina de café com água quente.
- Retire o depósito e coloque água no seu interior sem deixar que o nível da água ultrapasse o indicador máximo do depósito. Em seguida, volte a colocar o depósito no seu lugar.
- Coloque um dos filtros no suporte do filtro (sem café).
- Coloque uma chávena de café expresso na base amovível. Certifique-se de que o botão de controlo do vapor está na posição de desligado.
- Active a máquina premindo o botão para ligar/desligar. O indicador de alimentação eléctrica liga-se.
- Carregue no botão de controlo da bomba para que o dispositivo comece a bombear água. Quando a água sair, pare a bomba carregando no respectivo botão de controlo (o objectivo desta acção é bombear água do depósito de água para o reservatório).
- Certifique-se de que o botão para café/vapor está na posição mais elevada e aguarde que o indicador se ilumine, indicando que o pré-aquecimento está concluído. Se colocar o botão de controlo de bomba na posição inferior, a água sairá da bomba.
- Após este processo, pode começar a preparar o café.
- Nota: Pode ouvir algum ruído quando bombear a água pela primeira vez. Esse ruído é normal e significa que o equipamento está a libertar ar na máquina. Ao fim de aproximadamente 20 segundos, o ruído desaparece.

PRÉ-AQUECIMENTO

- Para preparar uma boa chávena de café expresso, recomendamos que pré-aqueça a máquina, bem como o suporte do filtro e a chávena, antes de fazer café, para que o sabor não seja afectado pelos objectos frios.
- Para efectuar o pré-aquecimento, siga os passos descritos na secção “Antes da primeira utilização”.

PREPARAR CAFÉ EXPRESSO

- Após o pré-aquecimento, retire o suporte do filtro rodando-o no sentido dos ponteiros do relógio e coloque café moído no filtro utilizando a colher fornecida com a máquina. Uma colher de café moído serve para preparar sensivelmente uma chávena de café de elevada qualidade. Pressione com firmeza o café moído com o alisador.
- Coloque o filtro no respectivo suporte, certifique-se de que o manípulo do suporte está alinhado com o encaixe do aparelho e, em seguida, introduza o suporte no aparelho rodando-o no sentido contrário aos dos ponteiros do relógio até ficar na posição bloqueada com o manípulo voltado para a frente.
- Retire a água quente do processo de pré-aquecimento e substitua a chávena por baixo da máquina.
- Quando o indicador de aquecimento se acender, deve colocar o botão de controlo da bomba na posição inferior para que o café possa sair.
- Nota: Se o indicador de aquecimento se apagar, carregue no botão de controlo de bomba para parar a preparação do café expresso. Após alguns segundos, quando o indicador de aquecimento se voltar a iluminar, pode retomar o processo de bombeamento.
- Quando tiver a quantidade de café pretendida ou o café começar a perder a cor ideal, carregue no botão para ligar/desligar. O indicador vermelho e verde desliga-se, e a máquina de café pára de funcionar. O seu café está pronto.
- Nota: Não deve deixar a máquina sem supervisão durante a preparação de café porque, por vezes, é necessário efectuar operações manualmente.
- Depois de fazer o café, retire o suporte do filtro, bloqueie o filtro e elimine os resíduos de café.

ESPUMA DE LEITE/PREPARAÇÃO DE UM CAPPUCCINO

- Para obter um cappuccino, deve colocar espuma de leite sobre uma chávena de café expresso.
- Coloque o botão para café/vapor na posição inferior – a posição de vapor – e aguarde que o indicador de aquecimento se acenda.
- Nota: Certifique-se de que o botão de controlo do vapor está na posição de desligado.
- Se o indicador de aquecimento se iluminar, coloque o botão para café/vapor na posição superior.
- Em seguida, carregue no botão de aquecimento da bomba e aguarde que a água saia.
- Quando a água estiver a sair, coloque o botão para café/vapor na posição inferior (vapor), interrompa o bombeamento de água e aguarde que o indicador de aquecimento se ligue.
- Encha um jarro com aproximadamente 100 ml de leite por cada cappuccino que pretenda preparar. Recomendamos que utilize apenas leite gordo à temperatura do frigorífico (e não quente). No que respeita ao tamanho, recomendamos que utilize um jarro com um volume de cerca de 450 ml, com um diâmetro entre 65 mm e 75 mm. Note que o volume do leite duplica, pelo que a chávena deve ter altura suficiente para o cappuccino.
- Introduza aproximadamente 2 cm do bico de vapor no leite e, em seguida, rode lentamente o botão de controlo do vapor no sentido contrário ao dos ponteiros do relógio para fazer sair o vapor. Movimente o jarro de forma circular e para cima e para baixo durante a criação da espuma.
- Nota: Nunca deve rodar rapidamente o botão de controlo do vapor.
- Quando obtiver a espuma pretendida, pode colocar o botão de controlo do vapor na posição de desligado e desligar a máquina de café.

- Nota: Limpe o bico de vapor imediatamente após a utilização, tendo cuidado para não se queimar.
- Nota: Recomendamos que deixe o dispositivo arrefecer durante pelo menos 5 minutos antes de voltar a preparar café. Se não o fizer, o café expresso pode ter algum cheiro a queimado.

LIMPEZA E MANUTENÇÃO

- Desligue o dispositivo da tomada e deixe-o arrefecer totalmente antes de o limpar.
- Limpe a estrutura do dispositivo com um pano húmido. Limpe regularmente o depósito de água, o tabuleiro de recolha de água e a base amovível com água quente da torneira.
- Retire o suporte do filtro rodando-o no sentido contrário ao dos ponteiros do relógio e, em seguida, elimine os resíduos de café e limpe o suporte com um pano. Enxagúe as peças com água da torneira após a limpeza.
- Seque todas as peças depois de as limpar cuidadosamente.

Eliminar depósitos minerais

- Para assegurar que a máquina de café funcione correctamente, deve remover os depósitos minerais a cada 2 ou 3 meses.
- Encha o depósito com água e descalcificante (proporção de água/descalcificante: 4:1).
- Siga os passos normais de preparação de café expresso e espuma de leite, enxaguando depois o dispositivo com a mistura de água e descalcificante.
- Certifique-se de que enxagua sempre o dispositivo com água da torneira depois de o enxaguar com a mistura de água e descalcificante.

GARANTIA

- A Tristar não é responsável por danos ocorridos nos seguintes casos:
 - o O aparelho tiver caído
 - o O aparelho tiver sido alterado tecnicamente pelo proprietário ou por terceiros
 - o Utilização indevida do aparelho
 - o Desgaste normal do aparelho
 - Realizando reparações o período de garantia original de 24 meses não será alargado, nem terá direito a uma nova garantia. Esta garantia só é legal na Europa. Esta garantia não se sobrepõe à Directiva Europeia 1944/44CE.
 - Guarde sempre o seu recibo pois sem ele não pode reclamar qualquer tipo de garantia.
 - Danos causados pelo não seguimento do manual de instruções anularão a garantia e se isso resultar em danos consequentes, a Tristar não será responsável.
 - A Tristar não será responsável por danos materiais ou ferimentos pessoais causados pela utilização indevida ou se as instruções de segurança não forem devidamente executadas.
 - A limpeza, conforme indicada neste manual, é a única manutenção necessária para este aparelho.
 - Quando for necessário reparar o aparelho, certifique-se de que a reparação será realizada por uma empresa autorizada.
 - Este aparelho não deve ser alterado.
 - Se surgirem problemas nos 2 anos seguintes à data da aquisição do aparelho, cobertos pela garantia da fábrica, pode dirigir-se ao ponto de aquisição para que seja substituído por um novo aparelho.
 - Para colocar questões ou queixas, contacte o seu revendedor “ponto de aquisição”
 - Este aparelho está coberto por uma garantia de 24 meses após a data de aquisição (recibo).
- Apenas defeitos do material ou de fabrico estão cobertos por esta garantia.
 - Se pretender efectuar uma queixa, devolva o aparelho na embalagem original ao revendedor, juntamente com o recibo.
 - Os danos a acessórios não significam a substituição gratuita automática de todo o aparelho. Nesses casos, contacte a nossa linha de apoio. Vidros partidos ou peças de plástico quebradas estão sempre sujeitas a um custo adicional.
 - Os defeitos a consumíveis ou peças sujeitas a desgaste, assim como limpeza, manutenção ou a substituição dessas peças, não estão cobertos pela garantia e, por esse motivo, têm de ser pagos.
 - A garantia fica anulada no caso de abertura não autorizada.
 - Após o término do período da garantia, as reparações podem ser realizadas pelo agente autorizado ou serviço de reparação, mediante o pagamento dos devidos custos.



ORIENTAÇÕES PARA A PROTECÇÃO DO MEIO AMBIENTE

Este aparelho não deve ser colocado juntamente com os resíduos domésticos no final do seu tempo de vida útil, deve ser entregue num local adequado para reciclagem de aparelhos domésticos eléctricos e electrónicos. Este símbolo indicado no aparelho, no manual de instruções e na embalagem chama a sua atenção para a importância desta questão. Os materiais utilizados neste aparelho podem ser reciclados. Ao reciclar electrodomésticos usados está a contribuir para dar um importante passo na protecção do nosso meio ambiente. Peça às autoridades locais informações relativas aos pontos de recolha.

Embalagem

A embalagem é 100% reciclável, entregue a embalagem em separado.

Produto

Este aparelho está equipado com uma marca, de acordo com a Directiva europeia 2012/19/EU relativa a Resíduos de Equipamentos Eléctricos e Electrónicos (WEEE). Ao assegurar que este produto é correctamente processado enquanto resíduo, ajudará a evitar possíveis consequências negativas no ambiente e na saúde humana.

Declaração de conformidade EC

Este aparelho está concebido para entrar em contacto com alimentos e está em conformidade com a Directiva CE 1935/2004/EEC. Este aparelho foi concebido, fabricado e comercializado em conformidade com os objectivos de segurança da Directiva de Baixa Tensão "Nº 2006/95/EC, os requisitos de protecção da Directiva EMC 2004/108/EC "Compatibilidade electromagnética" e os requisitos da Directiva 93/68/EEC".

Drogi kliencie,

Składamy gratulacje i dziękujemy za zakup tego wysokiej jakości produktu. Prosimy przeczytać instrukcje użytkowania dokładnie, tak aby jak najlepiej użytkować urządzenie. Podręcznik zawiera wszystkie konieczne instrukcje oraz porady dotyczące użytkowania, czyszczenia oraz konserwacji urządzenia. Postępowanie zgodne z instrukcjami gwarantuje doskonałe wyniki, oszczędność czasu oraz uniknięcie wszelkich problemów w przyszłości. Mamy nadzieję, że użytkowanie urządzenia przyniesie Państwu wiele przyjemności.

INSTRUKCJE DOTYCZĄCE BEZPIECZEŃSTWA

- Przed rozpoczęciem korzystania z urządzenia należy przeczytać uważnie instrukcję obsługi. Należy zachować niniejszą instrukcję, kartę gwarancyjną, paragon oraz, o ile to możliwe, pudełko z wewnętrznym opakowaniem.
- Urządzenie to nie jest przeznaczone do użytku przez osoby (w tym dzieci) o ograniczonych zdolnościach fizycznych, sensorycznych lub umysłowych, a także przez osoby pozbawione doświadczenia i wiedzy, chyba że osoby odpowiedzialne za ich bezpieczeństwo zapewnią nadzór lub udzielią instrukcji dotyczących używania tego urządzenia.
- Producent nie ponosi odpowiedzialności za uszkodzenia wynikające z niestosowania się do instrukcji dotyczących bezpieczeństwa.
- Aby chronić dzieci przed zagrożeniami wynikającymi z użytkowania urządzeń elektrycznych, nie należy nigdy pozostawiać tego rodzaju urządzeń bez nadzoru. Dlatego też należy wybrać takie miejsce przechowywania tego urządzenia, z którego dzieci nie będą mogły go wyjąć. Należy uważać, aby kabel nie zwisał.
- Urządzenie to może być używane wyłącznie do celów domowych i tylko zgodnie z przeznaczeniem.
- Urządzenie należy umieszczać na stabilnej i poziomej powierzchni.
- Z urządzenia nie należy korzystać, gdy spadło, gdy widoczne są oznaki uszkodzenia lub gdy przecieka.
- Nie dotykać gorących powierzchni. Używać uchwytów i rączek.
- Nigdy nie należy zostawiać włączonego urządzenia bez nadzoru.
- Urządzenie wypełnione gorącym płynem należy przenosić z zachowaniem szczególnej ostrożności.
- Wszelkie naprawy powinny być wykonywane przez kompetentnego i wykwalifikowanego naprawcę (*).
- Urządzenie należy przechowywać w suchym miejscu.
- Urządzenie to musi być zawsze utrzymywane w czystości, ponieważ styka się z żywnością.
- Sprawdzić, czy napięcie urządzenia odpowiada napięciu sieciowemu w domu użytkownika. Napięcie znamionowe: AC230V 50Hz. Gniazdo elektryczne musi być swobodnie chronione, a wartość natężenia prądu musi wynosić co najmniej 16 A lub 10 A.
- Urządzenie to jest zgodne ze wszystkimi standardami w zakresie pól elektromagnetycznych (EMF). Zgodnie z dostępnymi obecnie dowodami naukowymi użytkowanie tego urządzenia jest bezpieczne, o ile jest ono obsługiwane właściwie i zgodnie z instrukcjami zawartymi w niniejszym podręczniku użytkownika.
- Korzystanie z akcesoriów, które nie są zalecane przez producenta, może prowadzić do obrażeń ciała, a także spowoduje unieważnienie posiadanej gwarancji.
- Urządzenia nie należy nigdy przenosić, ciągnąc za kabel, a także należy uważać, aby kabel się zaplątał.
- Przed czyszczeniem lub schowaniem urządzenia należy je odstawić w celu ostygnięcia.
- Aby chronić siebie przed porażeniem prądem, nie należy zanurzać kabla, wtyczki ani urządzenia w wodzie ani żadnym innym płynie.
- Przed wymianą części zamiennych lub podjęciem czynności konserwacyjnych urządzenie należy odłączyć od gniazda elektrycznego.
- Urządzenia nie należy używać, jeśli kabel lub wtyczka są uszkodzone albo gdy urządzenie działa wadliwie lub zostało w jakikolwiek sposób uszkodzone. Aby uniknąć zagrożenia, uszkodzony kabel lub wtyczkę

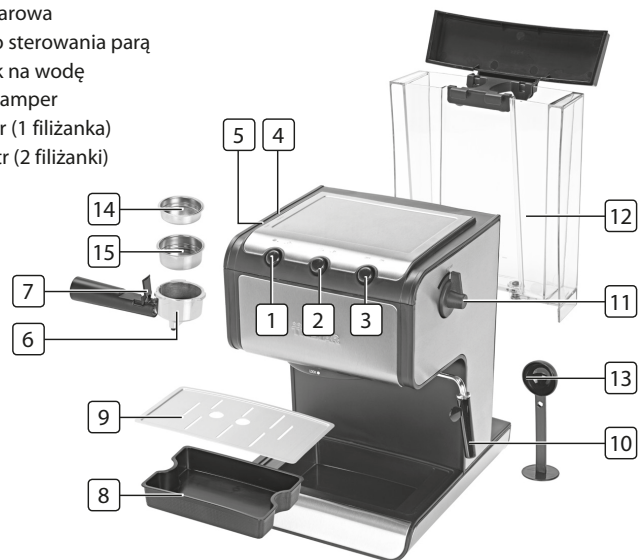
powinien wymienić upoważniony technik(*). Urządzenia tego nie należy naprawiać samodzielnie.

- Urządzenia tego nie należy używać w pobliżu źródeł ciepła.
- Jeśli urządzenie nie jest używane, należy je odłączyć od gniazda elektrycznego.
- Przed wyjęciem lub wymianą części zamiennych urządzenie należy odstawić w celu ostygnięcia.
- Kabel nie powinien zwisać z krawędzi stołu ani blatu, stykać się z gorącymi powierzchniami, a także nie powinien stykać się z gorącymi elementami innych urządzeń. Urządzenia nie należy umieszczać pod zastonami i innymi materiałami wykończeniowymi okien ani w ich pobliżu.
- Kabel nie powinien stykać się z gorącymi elementami urządzenia.
- Urządzenia tego nie należy używać w łazience ani w pobliżu zlewu wypełnionego wodą. Jeśli urządzenie wpadnie do wody, pod żadnym pozorem nie można dotykać bezpośrednio urządzenia; należy najpierw wyciągnąć wtyczkę z gniazda elektrycznego.
- Z urządzenia nie należy nigdy korzystać, gdy na dzbanku widoczne są jakiegokolwiek oznaki uszkodzenia. Dzbanka należy używać wyłącznie z tym urządzeniem. Szkło, z którego wykonany jest dzbanek, jest bardzo kruche, dlatego należy posługiwać się nim ostrożnie.
- Należy uważać, aby nie poparzyć się parą, wydobywającą się z filtra do kawy.
- Do usuwania kamienia należy używać wyłącznie octu lub przeznaczonych do tego celu produktów. Nie należy nigdy używać amoniaku ani żadnych innych szkodliwych dla zdrowia substancji.
- Nie należy nigdy przekraczać poziomu maksymalnego.

* *Kompetentny i wykwalifikowany naprawa: dział posprzedażny producenta, importer lub inna osoba, która jest wykwalifikowana, zatwierdzona i kompetentna do wykonywania tego rodzaju napraw; korzystanie z usług tych osób ma na celu uniknięcie wszelkich zagrożeń. W każdym wymagającym tego przypadku urządzenie należy przekazać jednemu z wymienionych powyżej elektryków.*

OPIS CZĘŚCI

1. Przycisk kawy/pary
2. Przycisk sterowania pompą
3. Włącznik/wyłącznik
4. Wskaźnik nagrzewania
5. Wskaźnik zasilania
6. Uchwyt filtra
7. Blokada filtra (należy jej używać podczas usuwania resztek kawy)
8. Tacka ociekowa
9. Zdejmowana półka
10. Dysza parowa
11. Pokrętko sterowania parą
12. Zbiornik na wodę
13. Łyżka i tamper
14. Mały filtr (1 filiżanka)
15. Duży filtr (2 filiżanki)



PRZED PIERWSZYM UŻYCIEM

- W celu zapewnienia doskonałego smaku pierwszej filiżanki kawy, ekspres do kawy należy przepłukać ciepłą wodą.
- Wyjmij zbiornik i wlej do niego wodę, tak aby jej poziom nie przekroczył znajdującego się w zbiorniku oznaczenia „maks.". Następnie umieść zbiornik na wodę ponownie na miejscu.
- Umieść jeden z filtrów w uchwycie filtra (bez kawy).
- Postaw filiżankę do kawy espresso na zdejmowanej półce. Upewnij się, że pokrętko sterowania parą jest w pozycji „wyl.".
- Włącz urządzenie, naciskając włącznik/wyłącznik; zaświeci się wskaźnik zasilania.
- Naciśnij przycisk sterowania pompą; urządzenie zacznie pompować wodę; gdy zakończy się jej przepływ, wyłącz pompę, naciskając przycisk sterowania pompą (celem tej czynności jest przepompowanie wody ze zbiornika do obudowy).
- Upewnij się, że przycisk kawy/pary jest ustawiony w wyższej pozycji i poczekaj, aż zaświeci się wskaźnik nagrzewania; oznacza to zakończenie nagrzewania wstępnego. Naciśnięcie przycisku sterowania pompą do niższej pozycji spowoduje wypłynięcie wody.
- Po zakończeniu tego procesu można rozpocząć parzenie kawy.
- Uwaga: Pompowaniu wody po raz pierwszy może towarzyszyć hałas; jest to normalne zjawisko, oznaczające, że urządzenie uwalnia nagromadzone w środku powietrze. Po około 20 sekundach hałas ucichnie.

NAGRZEWANIE WSTĘPNE

- W celu zaparzenia filiżanki dobrej gorącej kawy espresso zalecane jest nagrzanie wstępne urządzenia przed rozpoczęciem parzenia kawy, włączając z uchwytem filtra i filiżanką, tak aby na smak kawy nie miało wpływu zimno tych elementów.

- W celu nagrzania wstępnego należy wykonać te same czynności, które zostały opisane w sekcji „Przed pierwszym użyciem".

PARZENIE KAWY ESPRESSO

- Zdejmij uchwyt filtra po jego wstępnym nagrzaniu, obracając go w prawo, a następnie wsyp do filtra zmieloną kawę za pomocą dostarczonej łyżki. Z jednej łyżki zmielonej kawy można przyrządzić mniej więcej filiżankę doskonałej kawy. Dociśnij mocno zmieloną kawę za pomocą tampera.
- Umieść filtr w uchwycie filtra; wyrównaj rączkę uchwytu filtra z wgłębieniem w urządzeniu, a następnie umieść uchwyt filtra w urządzeniu i obróć go w lewo do momentu zablokowania, z rączką skierowaną do przodu.
- Rozpocznij wlewanie gorącej wody podgrzanej w procesie nagrzewania wstępnego i postaw filiżankę pod wylotem kawy.
- Po zaświeceniu się wskaźnika nagrzewania naciśnij przycisk sterowania pompą do niższej pozycji; spowoduje to wypłynięcie kawy.
- Uwaga: Jeśli wskaźnik nagrzewania zgaśnie, należy nacisnąć przycisk sterowania pompą, aby zatrzymać parzenie kawy espresso. Gdy po kilku sekundach wskaźnik nagrzewania ponownie się zaświeci, można wznowić proces pompowania.
- Po uzyskaniu żądanej ilości kawy lub osłabieniu intensywności koloru, naciśnij włącznik/wyłącznik; zgaśnie czerwony i zielony wskaźnik, a ekspres do kawy zostanie wyłączony; kawa jest gotowa do wypicia.
- Uwaga: nie należy zostawiać ekspresu do kawy bez nadzoru podczas parzenia kawy; czasami wymagana jest jego ręczna obsługa.
- Po zakończeniu parzenia kawy wyjmij uchwyt filtra, zablokuj filtr i wysyp resztki kawy.

SPIENIANIE MLEKA/PRZYGOTOWYWANIE KAWY CAPPUCCINO

- Aby przygotować kawę cappuccino, należy dopełnić filiżankę z kawą espresso spienionym mlekiem.
- Naciśnij przycisk kawy/pary do niższej pozycji, która odpowiada pozycji pary; poczekaj, aż zaświeci się wskaźnik nagrzewania.
- Uwaga: należy upewnić się, że pokrętko sterowania parą jest ustawione w pozycji wyłączenia.
- Po zaświeceniu się wskaźnika nagrzewania naciśnij przycisk kawy/pary do wyższej pozycji.
- Następnie naciśnij przycisk sterowania pompą i poczekaj na wypłynięcie wody.
- Gdy woda zacznie wypływać, naciśnij przycisk kawy/pary do niższej pozycji (pary) i zakończ pompowanie wody; poczekaj, aż zaświeci się wskaźnik nagrzewania.
- Wlej do dzbanka około 100 ml mleka na każdą przygotowywaną kawę cappuccino; zalecane jest używanie wyłącznie mleka pełnotłustego z lodówki (nie gorącego). Zalecane jest wybranie dzbanka o objętości około 450 ml i średnicy między 65 mm a 75 mm. Należy pamiętać o tym, że mleko zwiększy swoją objętość 2-krotnie; należy przygotować odpowiednio wysoką filiżankę.
- Wsuń dyszę parową na około dwa centymetry do mleka, a następnie przekręć pokrętko sterowania parą powoli w lewo; zacznie wydobywać się para; podczas spieniania przesuwaj dzbanek dookoła, a także do góry i do dołu.
- Uwaga: nie należy nigdy szybko przekręcać pokrętkła sterowania parą.
- Po uzyskaniużądanego efektu przekręć pokrętko sterowania parą do pozycji wyłączenia i wyłącz ekspres do kawy.
- Uwaga: dyszę parową należy czyścić zaraz po użyciu; należy uważać, aby się nie oparzyć.

- Uwaga: Zalecane jest pozostawienie urządzenia w celu ostygnięcia na co najmniej 5 minut przed ponownym parzeniem kawy. W przeciwnym razie z ekspresu do kawy może wydobywać się zapach spalenizny.

CZYSZCZENIE I KONSERWACJA

- Przed rozpoczęciem czyszczenia urządzenie należy odłączyć od zasilania i odstawić do całkowitego ostygnięcia.
- Obudowę urządzenia należy czyścić wilgotną szmatką. Zbiornik na wodę, tackę ociekową i zdejmowaną półkę należy czyścić regularnie pod bieżącą ciepłą wodą.
- Uchwyt filtra należy zdjąć, przekręcając go w prawo, następnie należy wysypać resztki kawy i wyczyścić go przy użyciu środka czyszczącego; po wyczyszczeniu części należy wypłukać dokładnie czystą wodą.
- Po zakończeniu czyszczenia wszystkie części należy dokładnie wysuszyć.

Usuwanie osadów mineralnych

- W celu zapewnienia wydajnej pracy ekspresu do kawy co 2–3 miesiące należy usuwać osady mineralne.
- Wlej do zbiornika wodę i środek do usuwania kamienia (proporcje woda/środek do usuwania kamienia: 4:1).
- Wykonaj czynności dotyczące parzenia kawy espresso i spieniania mleka w celu przepłukania urządzenia roztworem wody/środku do usuwania kamienia.
- Po przepłukaniu urządzenia roztworem wody/środku do usuwania kamienia należy je zawsze przepłukać czystą wodą.

GWARANCJA

- Firma Tristar nie jest odpowiedzialna za uszkodzenia powstałe w wyniku:
 - o upadku urządzenia,
 - o technicznej modyfikacji urządzenia dokonanej przez właściciela lub inną osobę,
 - o niewłaściwego użytkownika urządzenia,
 - o normalnego zużywania się urządzenia.
 - Przeprowadzenie napraw nie przedłuża oryginalnego 24-miesięcznego okresu gwarancyjnego ani nie upoważnia do uzyskania nowej gwarancji. Gwarancja ta jest wiążąca prawnie tylko na terenie Europy. Gwarancja ta nie unieważnia wytycznych dyrektywy europejskiej 1944/44CE.
 - Należy pamiętać o zachowaniu paragonu; bez paragonu nie można składać żadnych roszczeń gwarancyjnych.
 - Uszkodzenia spowodowane niestosowaniem się do instrukcji obsługi spowodują unieważnienie gwarancji, a za powstałe w wyniku tego uszkodzenia firma Tristar nie będzie ponosić odpowiedzialności.
 - Firma Tristar nie ponosi odpowiedzialności za szkody materialne lub obrażenia ciała spowodowane niewłaściwym użytkowaniem lub niestosowaniem się do instrukcji dotyczących bezpieczeństwa.
 - Opisany w instrukcji sposób czyszczenia jest jedyną czynnością konserwacyjną wymaganą dla tego urządzenia.
 - Jeśli urządzenie wymaga naprawy, naprawa powinna zostać zlecona upoważnionej do tego firmie.
 - Urządzenia tego nie można modyfikować ani zmieniać.
 - Jeśli w ciągu 2 lat od daty zakupu wystąpią problemy, które są objęte gwarancją fabryczną, urządzenie można zwrócić do sklepu, w którym zostało kupione, aby wymienić je na nowe.
 - W przypadku pytań lub w celu uzyskania informacji dotyczących zgodności należy kontaktować się ze sprzedawcą „w miejscu zakupu”.
- Urządzenie to jest objęte 24-miesięczną gwarancją, rozpoczynającą się z dniem jego zakupu (odbioru).
 - Gwarancja obejmuje tylko wady materiałowe i produkcyjne.
 - W przypadku roszczenia należy przekazać sprzedawcy całe urządzenie wraz z jego oryginalnym opakowaniem i dowodem zakupu.
 - Uszkodzenie wyposażenia dodatkowego nie oznacza automatycznej bezpłatnej wymiany całego urządzenia. W takich przypadkach prosimy kontaktować się z naszą gorącą linią (hotline). Zbite szkło czy uszkodzenie części plastikowych zawsze podlega opłacie.
 - Uszkodzenia części łatwo zużywających się, jak też i czyszczenie, konserwacja czy wymiana tych części nie podlega gwarancji i stąd podlega opłacie.
 - Gwarancja podlega utracie w przypadku nieupoważnionej naprawy czy nieumiejętnego użytkowania.
 - Po wygaśnięciu gwarancji naprawy mogą być przeprowadzane przez właściwy punkt sprzedaży czy serwis naprawczy z chwilą zapłaty za poniesione koszty.



WYTYCZNE W ZAKRESIE OCHRONY ŚRODOWISKA

Po zakończeniu okresu żywotności urządzenia tego nie należy wyrzucać wraz z odpadami domowymi; urządzenie to powinno zostać zutytylizowane w centralnym punkcie recyklingu domowych urządzeń elektrycznych i elektronicznych. Symbol ten znajdujący się na urządzeniu, w instrukcji obsługi i na opakowaniu zwraca uwagę na tę ważną kwestię. Materiały, z których wytworzono to urządzenie, nadają się do przetworzenia. Recykling zużytych urządzeń gospodarstwa domowego jest znaczącym wkładem użytkownika w ochronę środowiska. W celu uzyskania informacji dotyczących punktów zbiórki należy skontaktować się z przedstawicielem władz lokalnych.

Opakowanie

Opakowanie jest w 100% materiałem podlegającym ponownemu wykorzystaniu, należy go zwrócić po wyodrębnieniu.

Produkt

Urządzenie to posiada znak zgodności z dyrektywą europejską 2012/19/EU w sprawie zużytego sprzętu elektrycznego i elektronicznego (WEEE). Zapewnienie właściwego przetworzenia tego produktu pomoże w uniknięciu możliwego niekorzystnego wpływu na środowisko i zdrowie ludzkie.

Deklaracja zgodności EC

To urządzenie, zgodnie z Dyrektywą 1935/2004/EEC, może wchodzić w kontakt z żywnością.

To urządzenie zaprojektowano, wykonano i wprowadzono na rynek zgodnie z założeniami dotyczącymi bezpieczeństwa Dyrektywy Niskonapięciowej (LVD) nr 2006/95/EC, wymaganiami zabezpieczenia Dyrektywy EMC 2004/108/EC „Kompatybilność Elektromagnetyczna” oraz wymaganiami Dyrektywy 93/68/EEC.

Caro cliente,

Congratulations e grazie per aver comprato questo prodotto di alta qualità. La preghiamo di leggere attentamente il manuale d'istruzioni cosicché possa utilizzare al meglio l'apparecchio. Questo manuale include tutte le istruzioni necessarie e i consigli per utilizzare, pulire ed effettuare la manutenzione di questo apparecchio. Se segue queste istruzioni avrà la garanzia di un risultato eccellente, le farà risparmiare tempo e le eviterà problemi. Ci auguriamo che ottenga grandi soddisfazioni dall'utilizzo di questo apparecchio.

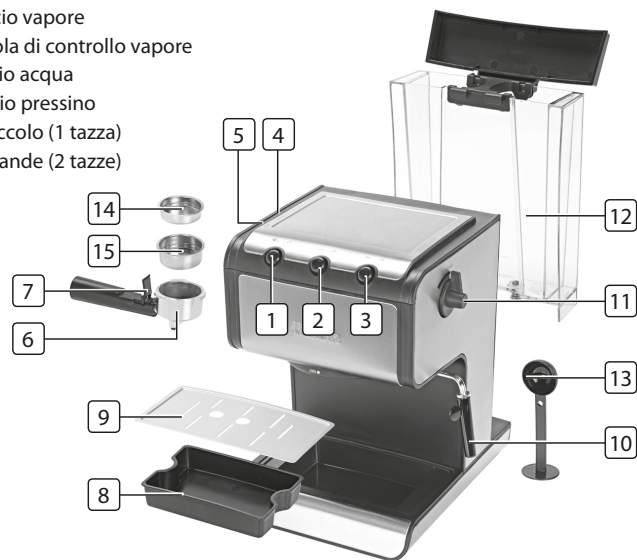
ISTRUZIONI IMPORTANTI PER LA SICUREZZA

- Leggere attentamente il manuale istruzioni prima di mettere in funzione l'apparecchio. Conservare istruzioni, certificato di garanzia, ricevuta di acquisto e, se possibile, la scatola con l'imballaggio interno.
- L'apparecchio non deve essere utilizzato da persone (compresi i bambini) con ridotte abilità fisiche, sensoriali o mentali o mancanza di esperienza e conoscenza, se non sotto la supervisione e le istruzioni sull'uso dell'apparecchio fornite dalla persona responsabile della loro sicurezza.
- Il produttore non è responsabile di eventuali danni e lesioni conseguenti alla mancata osservanza delle istruzioni.
- Per proteggere i bambini dai pericoli derivanti dalle apparecchiature elettriche, non lasciare mai l'apparecchio senza sorveglianza. Collocare quindi l'apparecchio in un luogo non accessibile ai bambini. Non lasciare il cavo penzoloni.
- Questo apparecchio ha uso esclusivamente domestico e deve essere utilizzato soltanto per gli scopi previsti.
- Collocare l'apparecchio su una superficie stabile e piana.
- Non utilizzare l'apparecchio se è caduto, se presenta danni o se vi sono perdite.
- Non toccare le superfici calde. Utilizzare le impugnature.
- Non lasciare mai l'apparecchio senza sorveglianza.
- Prestare la massima cautela quando si sposta un dispositivo contenente liquidi caldi .
- Far effettuare tutte le riparazioni da un riparazione qualificato (*).
- Conservare l'apparecchio in ambiente asciutto.
- E assolutamente necessario pulire l'apparecchio prima che esso venga in contatto con gli alimenti.
- Assicurarsi che il voltaggio dell'apparecchio corrisponda a quello della vostra rete domestica. Tensione nominale: AC230V 50Hz. La presa deve essere almeno 16 A o 10 A a protezione lenta.
- L'apparecchio è conforme agli standard sui campi elettromagnetici (EMF). Se utilizzato in modo corretto e secondo le istruzioni del manuale, l'apparecchio è sicuro secondo i controlli effettuati fino al momento.
- L'uso di accessori non consigliati dal produttore può provocare lesioni e invalidare la garanzia.
- Non spostare mai l'apparecchio tirandolo per il cavo e controllare che il cavo non possa rimanere impigliato.
- Lasciar raffreddare l'apparecchio prima di pulirlo o utilizzarlo.
- Per proteggervi da scosse elettriche, non immergere cavo, spina o apparecchio in acqua o altri liquidi.
- Sfilare la spina dalla presa prima di sostituire parti durante la manutenzione.
- Non utilizzare l'apparecchio se il cavo o la spina sono danneggiati oppure in caso di anomalie o danni di qualunque tipo. Per evitare pericoli, far sostituire un cavo o una spina danneggiati da un tecnico autorizzato (*). Non riparare l'apparecchio da soli.
- Non utilizzare l'apparecchio vicino a fonti di calore.
- Sfilare la spina dalla presa quando non si utilizza l'apparecchio.
- Lasciar raffreddare l'apparecchio prima di rimuovere o sostituire parti.

- Controllare che il cavo non penzoli sul bordo di un tavolo o un supporto, non entri in contatto con superfici calde e non entri in contatto con le parti calde dell'apparecchio. Non collocare l'apparecchio sotto o vicino a tende, tendine ecc..
 - Controllare che il cavo non entri in contatto con le parti calde dell'apparecchio.
 - Non utilizzare l'apparecchio nella stanza da bagno o vicino a un lavandino pieno d'acqua. Se l'apparecchio è caduto nell'acqua, non afferrare l'apparecchio, ma sfilare prima la spina dalla presa .
 - Non utilizzare l'apparecchio se la caraffa mostra segni di danni. Utilizzare la caraffa esclusivamente insieme all'apparecchio. Il vetro della caraffa è molto fragile, maneggiare con cura.
 - Prestare attenzione a non bruciarsi con il vapore che fuoriesce dal filtro del caffè.
 - Per rimuovere il calcare, utilizzare esclusivamente aceto o un prodotto delicato. Non utilizzare mai ammoniaca o altre sostanze potenzialmente nocive per la salute.
 - Non superare mai il livello max.
- * *Riparazione competente qualificato: reparto post-vendite del produttore o dell'importatore o qualunque persona qualificata, approvata e competente per eseguire questo tipo di riparazioni per evitare pericoli. In ogni caso, restituire personalmente l'apparecchio all'riparazione.*

DESCRIZIONE PARTI

1. Pulsante Caffè/vapore
2. Pulsante controllo pompa
3. Pulsante On/off
4. Indicatore di riscaldamento
5. Indicatore alimentazione
6. Portafiltro
7. Blocco filtro (usare questo filtro durante la rimozione dei residui di caffè)
8. Vaschetta di raccolta
9. Ripiano removibile
10. Beccuccio vapore
11. Manopola di controllo vapore
12. Serbatoio acqua
13. Cucchiaio pressino
14. Filtro Piccolo (1 tazza)
15. Filtro grande (2 tazze)



PRIMA DEL PRIMO UTILIZZO

- Per garantire che la prima tazza di caffè abbia un gusto eccellente, si deve sciacquare la macchina per il caffè con acqua tiepida.
- Estrarre il serbatoio e versarvi dell'acqua; il livello dell'acqua non deve superare il segno "max" nel serbatoio. Quindi, sostituire il serbatoio dell'acqua.
- Posizionare uno dei filtri nel portafiltro (senza il caffè)
- Posizionare una tazza da espresso sul ripiano rimovibile. Assicurarsi che la manopola di controllo vapore sia in posizione "off".
- Attivare l'apparecchio premendo il pulsante on/off verso il basso, l'indicatore di alimentazione si accenderà.
- Premere verso il basso il pulsante di controllo pompa; il dispositivo inizia a pompare acqua, quando l'acqua fuoriesce, fermare la pompa premendo il pulsante di controllo pompa (lo scopo di questo passaggio è pompare acqua fuori dal serbatoio nell'alloggiamento).
- Assicurarsi che il pulsante caffè/vapore sia nella posizione più alta ed attendere che l'indicatore di riscaldamento si accenda, questo indica che il pre-riscaldamento è completato. Premendo il pulsante di controllo della pompa nella posizione più bassa, l'acqua fluirà fuori.
- Dopo questo procedimento si può iniziare l'erogazione.
- Nota: ci può essere del rumore quando si pompa l'acqua per la prima volta, è normale, l'apparecchio rilascia l'aria al suo interno. Dopo circa 20 secondi il rumore sparirà.

PRE-RISCALDAMENTO

- Per fare una buona tazza di caffè espresso caldo, si consiglia di pre-riscaldare l'apparecchio prima di fare il caffè, compreso il portafiltro, e la tazza, cosicché il sapore del caffè non possa essere condizionato dalle parti fredde.
- Per il pre-riscaldamento, seguire gli stessi passaggi descritti nel paragrafo "prima del primo utilizzo".

FARE UN CAFFÈ ESPRESSO

- Dopo il pre-riscaldamento, rimuovere il portafiltro ruotandolo in senso orario, aggiungere caffè macinato nel filtro usando il cucchiaino in dotazione. Un cucchiaino di caffè macinato può fare circa una tazza di caffè di qualità superiore. Premere bene il caffè macinato con il pressino.
- Posizionare il filtro nel portafiltro, assicurarsi che il manico del portafiltro sia allineata con la scanalatura nell'elettrodomestico, quindi inserire il portafiltro nell'elettrodomestico e girarlo in senso anti-orario fin quando non è bloccato in posizione con il manico rivolto in avanti.
- Versare l'acqua calda dal processo di pre-riscaldamento e sostituire la tazza sotto l'elettrodomestico.
- Quando l'indicatore di riscaldamento si accende si deve premere verso il basso il pulsante di controllo della pompa alla posizione più bassa, ora il caffè uscirà.
- Nota: Se l'indicatore di riscaldamento è spento, premere il pulsante di controllo della pompa per smettere di fare l'espresso. Dopo alcuni secondi, quando l'indicatore di riscaldamento si accenderà nuovamente, potrete riprendere il procedimento.
- Una volta ottenuta la quantità desiderata di caffè, o il colore è leggermente cambiato, premere il pulsante on/off, l'indicatore rosso e verde si spegne e la macchina da caffè smette di funzionare. Ora il vostro caffè è pronto.
- Nota: non lasciare la macchina da caffè incustodita durante l'uso, a volte è necessario operare manualmente.
- Dopo aver finito di fare il caffè, estrarre il portafiltro, bloccare il filtro e versare il residuo di caffè.

SCHIUMARE IL LATTE/ FARE ILCAPPUCCINO

- Si ottiene un cappuccino quando si riempie una tazza di caffè espresso con schiuma di latte.
- Premere verso il basso il pulsante caffè/vapore alla posizione più bassa, che è la posizione vapore, attendere finché l'indicatore di riscaldamento si accende.
- Nota: assicurarsi che la manopola di controllo vapore sia girata in posizione off.
- Se l'indicatore di riscaldamento si accende, premere il pulsante caffè/vapore alla posizione più alta.
- Quindi premere il pulsante di controllo della pompa e attendere finché l'acqua fuoriesce.
- Quando l'acqua fuoriesce, premere il pulsante caffè/vapore alla posizione più bassa (vapore) e smettere di pompare l'acqua; attendere che l'indicatore di riscaldamento si accenda.
- Riempire una lattierina con circa 100 ml. di latte per ciascun cappuccino da preparare, si consiglia di usare solo latte intero a temperatura di frigorifero (non caldo). Scegliendo le dimensioni della caraffa si consiglia di usare una caraffa del volume di circa 450ml. con un diametro compreso tra 65mm. e 75mm. Ricordare che il latte aumenta di volume per 2 volte, assicurarsi che la tazza sia abbastanza alta.
- Inserire il beccuccio del vapore circa due centimetri nel latte, quindi ruotare lentamente la manopola di controllo vapore in senso anti-orario; ora il vapore uscirà, fare ruotare la brocca e muoverla verso l'alto e verso il basso mentre si forma la schiuma.
- Nota: non ruotare mai la manopola di controllo vapore rapidamente.
- Una volta raggiunto lo scopo, è possibile portare la manopola di controllo vapore in posizione off e spegnere la macchina da caffè.
- Nota: pulire il beccuccio del vapore immediatamente dopo l'uso, attenzione a non bruciarvi.

- Nota: si consiglia di lasciare raffreddare il dispositivo per almeno 5 minuti prima di fare di nuovo il caffè, altrimenti si potrà avvertire odore di bruciato nel vostro caffè espresso.

PULIZIA E MANUTENZIONE

- Scollegare il dispositivo e lasciarlo raffreddare completamente prima di pulirlo.
- Pulire l'alloggiamento del dispositivo con un panno umido. Pulire il serbatoio dell'acqua, la vaschetta di raccolta e il ripiano rimovibile regolarmente sotto acqua corrente tiepida.
- Staccare il portafiltro ruotandolo in senso orario, quindi versare il caffè residuo e pulire, assicurarsi di risciacquare le parti con acqua pulita dopo la pulizia.
- Dopo la pulizia asciugare accuratamente tutte le parti.

Pulire i depositi minerali

- Per garantire che la vostra macchina da caffè funzioni correttamente, è necessario rimuovere i depositi minerali rimasti ogni 2-3 mesi.
- Riempire il serbatoio con acqua e anticalcare (rapporto acqua/anticalcare: 4:1).
- Seguire semplicemente i passaggi per fare l'espresso e schiumare il latte e risciacquare il dispositivo con la mistura di acqua/anticalcare.
- Assicurarsi sempre di sciacquare il dispositivo con acqua pulita dopo aver risciacquato con la mistura di acqua/anticalcare.

GARANZIA

- Tristar non è responsabile dei danni causati da:
 - o Caduta dell'apparecchio.
 - o Modifiche tecniche apportate dall'utilizzatore o da terze parti.
 - o Uso improprio dell'apparecchio.
 - o Normale usura dell'apparecchio.
 - All'atto di una riparazione la garanzia originale di 24 mesi non verrà estesa né verrà completamente rinnovata. La presente garanzia ha valore legale solo per l'Europa e non annulla la direttiva europea 1944/44CE
 - Conservare sempre lo scontrino, senza di esso non si può utilizzare alcuna forma di garanzia.
 - Eventuali danni causati dal mancato rispetto delle indicazioni fornite nel manuale di istruzioni annulleranno la garanzia. Tristar non è responsabile per qualsiasi danno conseguente.
 - Tristar non è responsabile di danni materiali o lesioni personali causate da un uso improprio o da un mancato rispetto delle istruzioni di sicurezza.
 - La pulizia eseguita secondo le indicazioni di questo manuale è l'unica manutenzione necessaria per questo apparecchio.
 - Qualora l'apparecchio dovesse essere riparato, assicurarsi che la riparazione venga eseguita da una ditta autorizzata.
 - Non si devono apportare modifiche o alterazioni all'apparecchio.
 - Se si verificano problemi durante i 2 anni successivi all'acquisto, che sono coperti dalla garanzia del fabbricante, potete tornare al punto vendita e farvelo sostituire con un apparecchio nuovo.
 - Per qualsiasi domanda o reclamo si prega di contattare il dettagliante presso cui avete acquistato l'apparecchio.
 - Questo apparecchio è coperto da una garanzia di 24 mesi a partire dalla data di acquisto (ricevuta).
 - Questa garanzia include soltanto difetti materiali o di fabbricazione.
- Se desiderate fare un reclamo, per favore restituite l'intero apparecchio al vostro negoziante nell'imballo originale, unitamente alla ricevuta di acquisto.
 - Danni agli accessori non comportano l'automatica sostituzione gratuita dell'intero apparecchio. In questi casi contattare il nostro servizio assistenza. La rottura di parti in vetro o in plastica è sempre soggetta a pagamento.
 - Difetti alle parti consumabili o alle parti soggette a usura, così come la pulizia, la manutenzione o la sostituzione di dette parti non è coperta da garanzia e quindi deve essere pagata!
 - La garanzia decade in caso di manomissione non autorizzata.
 - Dopo la scadenza della garanzia le riparazioni possono essere effettuate da un rivenditore autorizzato o dal servizio assistenza dietro pagamento dei costi previsti.



LINEE GUIDA PER LA PROTEZIONE AMBIENTALE

Al termine del suo utilizzo questo apparecchio non deve essere gettato tra i rifiuti domestici, ma deve essere consegnato ad un punto centrale di raccolta per il riciclo delle apparecchiature elettriche ed elettroniche domestiche. Questo simbolo sull'apparecchio, il manuale di istruzioni e la confezione mettono in evidenza questo problema importante. I materiali usati in questo apparecchio possono essere riciclati. Riciclando i dispositivi domestici puoi contribuire alla protezione del nostro ambiente. Contattare le autorità locali per informazioni in merito ai punti di raccolta.

Confezione

La confezione è riciclabile al 100%, restituire la confezione separatamente.

Prodotto

Questo apparecchio è contrassegnato da un marchio corrispondente alla Direttiva Europea 2012/19/EU sui Rifiuti delle Apparecchiature Elettriche ed Elettroniche (WEEE). Assicurarne il corretto riciclo aiuterà a prevenire possibili conseguenze negative all'ambiente e alla salute.

Dichiarazione EC di conformità

L'apparecchio è stato progettato per entrare in contatto con gli alimenti secondo la Direttiva EC 1935/2004/EEC. L'apparecchio è stato progettato, prodotto e commercializzato in accordo alle norme di sicurezza previste dalla Direttiva Bassa Tensione "N" 2006/95/EC, i requisiti di protezione previsti dalla Direttiva EMC 2004/108/EC "Compatibilità elettromagnetica" e i requisiti previsti dalla Direttiva 93/68/EEC.

Käre kund,

Vi gratulerar till ditt inköp av denna högkvalitetsprodukt. Läs instruktionsmanualen noga så att du kan använda apparaten på bästa möjliga sätt. Denna manual innehåller alla nödvändiga instruktioner och råd för användning, rengöring och underhåll av apparaten. Om du följer dessa instruktioner är du garanterad utmärkta resultat, det besparar dig tid och du undviker problem. Vi hoppas du kommer ha mycket glädje av att använda denna apparat.

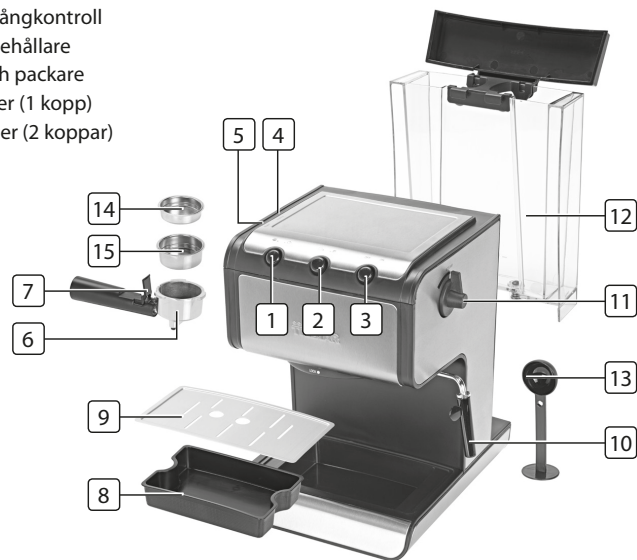
VIKTIGA SÄKERHETSANORDNINGAR

- Läs bruksanvisningen noga innan du börjar använda apparaten. Förvara dessa anvisningar, garantibeviset, inköpskvittot och, om möjligt, förpackningen (även innerförpackningen) på en säker plats.
- Denna apparat är ej avsedd att användas av personer (inkl. barn) med nedsatta sinnesförmågor, eller nedsatt fysisk eller mental förmåga, eller som saknar erfarenhet och kunskap, om de inte är under tillsyn av eller erhållit anvisningar om apparatens användning av en person som är ansvarig för deras säkerhet.
- Om dessa säkerhetsanvisningar ignoreras kan inget ansvar utkrävas av tillverkaren för eventuella skador som uppkommer.
- För att skydda barn mot farorna med elektriska apparater ber vi dig att aldrig lämna apparaten utan tillsyn. Välj därför en förvaringsplats för apparaten som är oåtkomlig för barn. Kontrollera så att kabeln inte hänger nedåt.
- Denna apparat får endast användas för hushållsändamål och endast för det syfte den är konstruerad för.
- Apparaten måste placeras på en stabil, jämn yta.
- Använd den inte när apparaten har fallit, om det finns några tecken på skada eller om den läcker.
- Rör inte de varma ytorna. Använd handtagen
- Använd aldrig apparaten oövervakad.
- Extrem försiktighet uppmanas när man flyttar en apparat innehållande het vätska.
- Alla reparationer måste utföras av en kompetent kvalificerad reparation (*).
- Var noga med att förvara apparaten i en torr miljö.
- Det är absolut nödvändigt att apparaten alltid är ren eftersom den kommer i direkt kontakt med livsmedel.
- Kontrollera så att apparatens spänning stämmer överens med hemmets huvudspänning. Märkspänning: AC230V 50Hz. Väggtuttaget måste vara minst 16 A eller 10 A trög säkring.
- Denna apparat uppfyller alla standarder för elektromagnetiska fält (EMF). Om den hanteras ordentligt och enligt anvisningarna i denna bruksanvisning är apparaten säker att använda enligt de vetenskapliga bevis som finns tillgängliga för närvarande.
- Användning av tillbehör som inte rekommenderas av tillverkaren kan orsaka skador och ogiltiggör eventuella garantier.
- Flytta aldrig apparaten genom att dra den i sladden och se till att sladden inte kan trassla sig.
- Låt apparaten svalna innan du rengör eller förvarar den.
- För att undvika eltötar ska du aldrig sänka ned sladden, kontakten eller apparaten i vatten eller någon annan vätska.
- Dra alltid ut kontakten ur uttaget när du ska byta revervdelar eller utföra underhåll på apparaten.
- Använd inte den här apparaten om sladden eller kontakten är skadad eller om apparaten inte fungerar ordentligt eller om den har skadats på något sätt. För att undvika faror ska alltid en skadad sladd eller kontakt bytas av en auktoriserad tekniker (*). Försök inte reparera apparaten själv.
- Använd inte apparaten i närheten av direkta värmekällor.
- Dra ut kontakten ur uttaget när du inte använder apparaten.
- Låt enheten svalna innan du tar loss eller byter ut lösa delar.

- Kontrollera så att sladden inte hänger över bords- eller diskkanten, att den inte rör vid varma ytor eller kommer i direkt kontakt med apparatens varma delar. Placera inte apparaten under eller i närheten av gardiner, fönsterövertäckningar etc.
 - Kontrollera så att sladden inte rör vid apparatens varma delar.
 - Använd inte denna apparat i badrum eller nära en ho fylld med vatten. Om denna apparat faller ner i vatten får du inte under några omständigheter ta i apparaten utan att först ha dragit ur kontakten ur vägguttaget.
 - Använd aldrig apparaten om kannan visar tecken på skada. Använd bara kannan med den här apparaten. Kannans glas är väldigt ömtåligt, så hantera den varsamt.
 - Var försiktig så att du inte bränner dig på ångan som kommer från kaffefiltret.
 - Använd endast vinäger eller en produkt avsedd för borttagning av kalkavlagringar. Använd aldrig ammoniak eller andra ämnen som kan skada din hälsa.
 - Se till att maxnivån aldrig överskrids.
- * *Kompetent kvalificerad reparation: tillverkarens eller importörens kundtjänst eller en kvalificerad, godkänd och kompetent person som kan utföra den här typen av reparationer utan att utsätta sig själv eller andra för faror. Lämna alltid in apparaten till den reparation.*

BESKRIVNING AV DELAR

1. Knapp för kaffe/ånga
2. Knapp för pumpkontroll
3. Strömbrytare
4. Värmeindikator
5. Strömindikator
6. Filterhållare
7. Filterlås (använd det här låset när du tar bort kaffesumpen)
8. Droppbricka
9. Borttagbar hylla
10. Ångmunstycke
11. Ratt för ångkontroll
12. Vattenbehållare
13. Sked och packare
14. Litet filter (1 kopp)
15. Stort filter (2 koppar)



INNAN FÖRSTA ANVÄNDNINGEN

- För att vara säker på att den första koppen kaffe smakar gott, bör du först skölja ur kaffebryggaren med varmt vatten.
- Dra ut vattenbehållaren och håll i vatten i den. Vattennivån bör inte överstiga "max"-markeringen i tanken. Sätt sedan tillbaka vattenbehållaren.
- Placera ett av filterna i filterhållaren (utan kaffe).
- Placera en espressokopp på den borttagbara hyllan. Kontrollera att ratten för ångkontroll står i läget "off" (av).
- Aktivera apparaten genom att trycka ned strömbrytaren. Strömindikatorn tänds.
- Tryck ned knappen för pumpkontroll. Apparaten börjar då pumpa vatten, och när vattnet strömmar ut stoppar du pumpen genom att trycka på knappen för pumpkontroll (syftet med det här steget är att pumpa vatten ut ur vattenbehållaren och in i huset).
- Kontrollera att knappen för kaffe/ånga är i det höga läget och vänta tills värmeindikatorn tänds, det indikerar att förvärmningen är färdig. Om du trycker ned knappen för pumpkontroll till det lägre läget kommer vattnet att strömma ut.
- Efter den här processen kan du börja brygga.
- OBS: första gången du pumpar vattnet kan det föra lite oväsen. Detta är normalt, apparaten släpper ut luften som är i apparaten. Efter cirka 20 sekunder kommer oljudet att försvinna.

FÖRVARMNING

- Om du vill göra en riktigt god kopp varm espresso, rekommenderar vi att du förvärmer apparaten innan du brygger kaffet, inklusive filterhållaren och koppen, så att kaffesmaken inte påverkas av de kalla delarna.
- För förvärmning använder du samma steg som beskrivs i stycket "Innan första användningen".

BRYGGA ESPRESSOKAFFE

- Ta efter förvärmningen bort filterhållaren genom att vrida den medurs, lägg i malt kaffe i filtret med den medföljande skeden. En sked malt kaffe ger ungefär en kopp kaffe av högsta klass. Packa det malda kaffet hårt med packaren.
- Placera filtret i filterhållaren, var noga med att kontrollera att filterhållarens handtag passar in med spåret i apparaten, och för sedan in filterhållaren i apparaten och vrid den moturs tills den hamnar i låst läge och handtaget pekar framåt.
- Häll ut det varma vattnet från förvärmningsprocessen och ställ tillbaka koppen under apparaten.
- När värmeindikatorn tänds trycker du ner knappen för pumpkontroll till det låga läget, och då ska kaffet strömma ut.
- OBS: om värmeindikatorn slocknar trycker du på knappen för pumpkontroll för att sluta brygga espresso. Efter ett par sekunder när värmeindikatorn tänds igen kan du återuppta pumpprocessen.
- När du fått önskad mängd kaffe eller när färgen bleknat, trycker du på strömbrytaren. Då slocknar den röda och den gröna indikatorn och kaffebryggaren slutar jobba, ditt kaffe är nu färdigt.
- OBS: lämna inte kaffebryggaren obevakad under bryggningen, ibland behöver du ingripa manuellt.
- När du har bryggt ditt kaffe färdigt tar du ut filterhållaren, låser filtret och håller bort kaffesumpen.

SV

SKUMMA MJÖLK/ GÖRA CAPPUCINO

- Du får en cappuccino om du fyller på en kopp espresso med skummad mjölk.
- Tryck ned knappen för kaffe/ånga till det låga läget som är ångläget, och vänta tills värmeindikatorn tänds.
- OBS: kontrollera att ratten för ångkontroll är vriden till avstängt läge.

- När värmeindikatorn tänds trycker du knappen för kaffe/ånga till det högre läget.
- Tryck sedan på knappen för pumpkontroll och vänta tills vattnet strömmar ut.
- När vattnet strömmar ut trycker du knappen för kaffe/ånga till det låga (ång-)läget och stoppar pumpa vatten, vänta sedan tills värmeindikatorn tänds.
- Fyll en kanna med ca 100 ml mjölk per cappuccino som ska tillredas. Vi rekommenderar att du endast använder kylskåpskall (inte varm) helmjölk. Vi rekommenderar att du använder en kanna som rymmer cirka 450 ml med en diameter mellan 65 mm och 75 mm. Tänk på att mjölken fördubblar sin volym, så använd en kopp som är tillräckligt hög.
- Stoppa ned ångmunstycket cirka två centimeter i mjölken och vrid sedan knappen för ångkontroll långsamt moturs. Nu kommer ångan att strömma ut och du får flytta kannan uppåt och nedåt medan du skummar.
- OBS: vrid aldrig snabbt på knappen för ångkontroll.
- När du är färdig kan du vrida knappen för ångkontroll till avstängningsläget och stänga av kaffebyggaren.
- OBS: rengör ångmunstycket omedelbart efter användning, men var försiktig så att du inte bränner dig.
- OBS: vi rekommenderar att du låter apparaten svalna i minst 5 minuter innan du brygger kaffe igen. Annars kan en bränd lukt uppstå i ditt espressokaffe.

RENGÖRING OCH UNDERHÅLL

- Koppla ur apparaten och låt den svalna helt innan du rengör den.
- Rengör apparatens hölje med en fuktig trasa. Rengör vattenbehållaren, droppbrickan och den borttagbara hyllan regelbundet under rinnande varmt vatten.

- Ta bort filterhållaren genom att vrida den medurs, töm sedan ut kaffesumpen och rengör den med rengöringsmedel. Var noga med att skölja av alla delar i rent vatten efter rengöringen.
- Torka alla delar noggrant efter rengöringen.

RENGÖRING AV MINERALBELÄGGNINGAR

- För att din kaffebyggare ska kunna arbeta effektivt bör du rensa bort mineralbeläggningar var 2:e till var 3:e månad.
- Fyll vattenbehållaren med vatten och avkalkningsmedel (1 del avkalkningsmedel, 4 delar vatten).
- Följ helt enkelt stegen för hur du brygger espresso och skummar mjölk och rengör enheten med blandningen av vatten och avkalkningsmedel.
- Var noga med att alltid skölja enheten med rent vatten efter att du använt blandningen av vatten och avkalkningsmedel.

GARANTI

- Tristar kan inte hållas ansvariga för skador som orsakats av:
 - o Att apparaten har fallit ned
 - o Att apparaten har ändrats tekniskt av ägaren eller tredje person
 - o Att apparaten har använts felaktigt
 - o Att apparaten har råkat ut för normalt slitage
- Genom att reparation utförs kommer inte den ursprungliga garantitiden på 24 månader att förlängas, och inte heller rätten till en ny uppfyllande garanti. Denna garanti gäller endast på europeisk mark. Denna garanti upphäver inte det europeiska direktivet 1944/44CE.
- Spara alltid ditt kvitto, utan kvittot kan du inte göra anspråk på någon

som helst garanti.

- Skador som orsakats av att bruksanvisningen inte följts leder till att garantin ogiltigförklaras. Om detta leder till följdskador kan Tristar inte hållas ansvariga.
- Tristar kan inte hållas ansvariga för materiell skada eller personskada som orsakas av felaktig användning eller av att säkerhetsanvisningarna inte följts.
- Rengöringen som nämns i denna bruksanvisning är det enda underhåll som behövs utföras för denna apparat.
- Om apparaten behöver repareras måste detta utföras av en auktoriserad firma.
- Denna apparat får inte modifieras eller ändras.
- Om det uppstår problem med apparaten inom 2 år från inköpsdatumet och dessa täcks av fabriksgarantin kan du gå till inköpsstället och byta ut apparaten mot en ny.
- För frågor eller uppfyllelser kontaktar du din återförsäljare, "köpstället".
- Denna apparat täcks av en 24 månaders garanti som startar på inköpsdagen (kvittot).
- I denna garanti ingår endast material- och tillverkningsfel.
- Om du vill göra anspråk på garantin ber vi dig att lämna in hela apparaten i originalförpackningen till din återförsäljare tillsammans med kvittot.
- Skador på tillbehör innebär inte automatiskt att hela apparaten byts ut utan kostnad. Ta kontakt med vår "hotline" vid sådana fall. Det tas alltid ut en kostnad om delar av glas eller plast har gått sönder.
- Skador på förbrukningsvaror eller delar som utsätts för slitage i form av t.ex. rengöring, underhåll eller byte omfattas inte av garantin och måste därför alltid betalas.
- Garantin upphör att gälla vid obehöriga ändringar av apparaten.
- När garantin har gått ut kan reparationer utföras av en kompetent återförsäljare eller annan reparationservice mot påföljande betalning.



RIKTLINJER FÖR SKYDDANDE AV MILJÖN

Denna apparat ska ej slängas bland vanligt hushållsavfall när den slutat fungera. Den ska slängas vid en återvinningsstation för elektriskt och elektroniskt hushållsavfall. Denna symbolen på apparaten, bruksanvisningen och förpackningen gör dig uppmärksam på denna viktiga fråga. Materialen som används i denna apparat kan återvinnas. Genom att återvinna hushållsapparater gör du en viktig insats för att skydda vår miljö. Fråga de lokala myndigheterna var det finns insamlingsställen.

Förpackningen

Förpackningen består av 100 % återvinningsbart material, lämna in förpackningen uppdelad.

Produkten

Denna apparat är märkt enligt EU-direktivet 2012/19/EU om avfall från elektrisk och elektronisk utrustning (WEEE). Genom att se till att produkten återvinnas ordentligt hjälper du till att förhindra att den påverkar miljön och människors hälsa på ett negativt sätt

EC-deklaration om överensstämmelse

Denna apparat är gjord för att komma i direkt kontakt med mat och är tillverkad i enlighet med EU-direktiv 1935/2004/EEC.

Denna apparat är skapad, tillverkad och marknadsförd i enlighet med säkerhetsmålen i Lågvoltsdirektivet "Nr 2006/95/EC, skyddskraven i EMC-direktivet 2004/108/EC "Elektromagnetisk kompatibilitet" och kraven i direktivet 93/68/EEC.

★★★
TRISTAR

Quality shouldn't be a luxury!



RA-2992



BP-2988



BQ-2818



www.tristar.eu