

**OVEN**

User Manual

**FOUR**

Manuel d'utilisation

## Please read this user manual first!

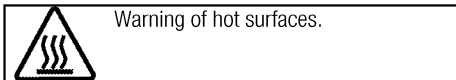
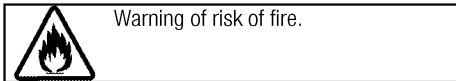
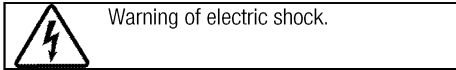
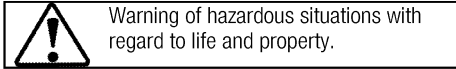
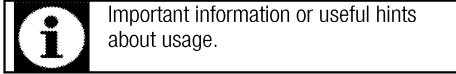
Dear Customer,

Thank you for purchasing this Beko product. We hope that you get the best results from your product which has been manufactured with high quality and state-of-the-art technology. Therefore, please read this entire user manual and all other accompanying documents carefully before using the product and keep it as a reference for future use. If you handover the product to someone else, give the user manual as well. Follow all warnings and information in the user manual.

Remember that this user manual is also applicable for several other models. Differences between models will be identified in the manual.

### Explanation of symbols

Throughout this user manual the following symbols are used:



**Arçelik A.Ş.**  
Karaağaç caddesi No:2-6  
34445 Söğütözü/İstanbul/TURKEY  
Made in TURKEY



**1 Important instructions and warnings for safety and environment 4**

General safety ..... 4  
 Safety when working with gas ..... 4  
 Electrical safety ..... 5  
 Product safety ..... 6  
 Intended use ..... 7  
 Safety for children ..... 8  
 Disposing of the old product ..... 8  
 Package information ..... 9

**2 General information 10**

Overview ..... 10  
 Package contents ..... 11  
 Technical specifications ..... 12  
 Injector table ..... 12

**3 Installation 13**

Before installation ..... 13  
 Installation and connection ..... 14  
 Gas conversion ..... 15  
 Future Transportation ..... 16

**4 Preparation 17**

Tips for saving energy ..... 17  
 Initial use ..... 17  
 Time setting ..... 17  
 First cleaning of the appliance ..... 18  
 Initial heating ..... 18

**5 How to use the hob 19**

General information about cooking ..... 19  
 Using the hobs ..... 19

**6 How to operate the oven 21**

General information on baking, roasting and grilling ..... 21  
 How to operate the electric oven ..... 21  
 Operating modes ..... 22  
 Using the oven clock ..... 23  
 Using the keylock ..... 24  
 Using the clock as an alarm ..... 24  
 Cooking times table ..... 25  
 How to operate the grill ..... 26  
 Cooking times table for grilling ..... 27

**7 Maintenance and care 28**

General information ..... 28  
 Cleaning the hob ..... 28  
 Cleaning the control panel ..... 28  
 Cleaning the oven ..... 28  
 Removing the oven door ..... 29  
 Removing the door inner glass ..... 29  
 Replacing the oven lamp ..... 30

**8 Troubleshooting 31**

## **1 Important instructions and warnings for safety and environment**

This section contains safety instructions that will help protect from risk of personal injury or property damage. Failure to follow these instructions shall void any warranty.

### **General safety**

- This appliance can be used by children aged from 8 years and above and persons with reduced physical, sensory or mental capabilities or lack of experience and knowledge if they have been given supervision or instruction concerning use of the appliance in a safe way and understand the hazards involved.

Children shall not play with the appliance. Cleaning and user maintenance shall not be made by children without supervision.

- Never place the product on a carpet-covered floor. Otherwise, lack of airflow beneath the product will cause electrical parts to overheat. This will cause problems with your product.
- Installation and repair procedures must always be performed by Authorized Service Agents. The manufacturer shall not be held responsible for damages arising from procedures carried out by unauthorized persons which may

also void the warranty. Before installation, read the instructions carefully.

- Do not operate the product if it is defective or has any visible damage.
- Control that the product function knobs are switched off after every use.

### **Safety when working with gas**

- Any works on gas equipment and systems may only be carried out by authorised qualified persons who are Gas Safe registered.
- Prior to the installation, ensure that the local distribution conditions (nature of the gas and gas pressure) and the adjustment of the appliance are compatible.
- This appliance is not connected to a combustion products or evacuation device. It shall be installed and connected in accordance with current installation regulations. Particular attention shall be given to the relevant requirements regarding ventilation; See *Before installation*, page 13
- The use of gas cooking appliance results in the production of heat and moisture in the room in which it is installed. Ensure that the

kitchen is well ventilated: keep natural ventilation holes open or install a mechanical ventilation device (mechanical extractor hood). Prolonged intensive use of the appliance may call for additional ventilation, for example increasing the level of the mechanical ventilation where present.

- Gas appliances and systems must be regularly checked for proper functioning. Regulator, hose and its clamp must be checked regularly and replaced within the periods recommended by its manufacturer or when necessary.
- Clean the gas burners regularly. The flames should be blue and burn evenly.
- Good combustion is required in gas appliances. In case of incomplete combustion, carbon monoxide (CO) might develop. Carbon monoxide is a colourless, odourless and very toxic gas, which has a lethal effect even in very small doses.
- Request information about gas emergency telephone numbers and safety measures in case of gas smell from you local gas provider.

### **What to do when you smell gas**

- Do not use open flame or do not smoke. Do not operate any

electrical buttons (e.g. lamp button, door bell and etc.) Do not use fixed or mobile phones. Risk of explosion and toxication!

- Open doors and windows.
- Turn off all valves on gas appliances and gas meter at the main control valve, unless it's in a confined space or cellar.
- Check all tubes and connections for tightness. If you still smell gas leave the property.
- Warn the neighbours.
- Call the fire-brigade. Use a telephone outside the house.
- Do not re-enter the property until you are told it is safe to do so.

### **Electrical safety**

- If the product has a failure, it should not be operated unless it is repaired by the Authorized Service Agent. There is the risk of electric shock!
- Only connect the product to a grounded outlet/line with the voltage and protection as specified in the "Technical specifications". Have the grounding installation made by a qualified electrician while using the product with or without a transformer. Our company shall not be liable for any problems arising due to the product not being earthed in accordance with the local regulations.

- Never wash the product by spreading or pouring water onto it! There is the risk of electric shock!
  - never touch the plug with wet hands! Never unplug by pulling on the cable, always pull out by grabbing the plug.
  - The product must be unplugged during installation, maintenance, cleaning and repairing procedures.
  - If the power connection cable for the product is damaged, it must be replaced by the manufacturer, its service agent or similiary qualified persons in order to avoid a hazard.
  - The appliance must be installed so that it can be completely disconnected from the network. The separation must be provided either by a mains plug, or a switch built into the fixed electrical installation, according to construction regulations.
  - Rear surface of the oven gets hot when it is in use. Make sure that the gas/electrical connection does not contact the rear surface; otherwise, connections can get damaged.
  - Do not trap the mains cable between the oven door and frame and do not route it over hot surfaces. Otherwise, cable insulation may melt and cause fire as a result of short circuit.
  - Any work on electrical equipment and systems should only be carried out by authorized and qualified persons.
  - In case of any damage, switch off the product and disconnect it from the mains. To do this, turn off the fuse at home.
  - Make sure that fuse rating is compatible with the product.
- Product safety**
- The appliance and its accessible parts become hot during use. Care should be taken to avoid touching heating elements. Children less than 8 years of age shall be kept away unless continuously supervised.
  - Never use the product when your judgment or coordination is impaired by the use of alcohol and/or drugs.
  - Be careful when using alcoholic drinks in your dishes. Alcohol evaporates at high temperatures and may cause fire since it can ignite when it comes into contact with hot surfaces.
  - Do not place any flammable materials close to the product as the sides may become hot during use.
  - During use the appliance becomes hot. Care should be taken to avoid touching heating elements inside the oven.

- Keep all ventilation slots clear of obstructions.
  - Do not heat closed tins and glass jars in the oven. The pressure that would build-up in the tin/jar may cause it to burst.
  - Do not place baking trays, dishes or aluminium foil directly onto the bottom of the oven. The heat accumulation might damage the bottom of the oven.
  - Do not use harsh abrasive cleaners or sharp metal scrapers to clean the oven door glass since they can scratch the surface, which may result in shattering of the glass.
  - Do not use steam cleaners to clean the appliance as this may cause an electric shock.
  - Use the shelves as described in "How to operate the electric oven".
  - Do not use the product if the front door glass removed or cracked.
  - Oven handle is not towel dryer. Do not hang up towel, gloves, or similar textile products when the grill function is at open door.
  - Always use heat resistant oven gloves when putting in or removing dishes into/from the hot oven.
  - Ensure that the appliance is switched off before replacing the lamp to avoid the possibility of electric shock.
  - Do not close the top cover before the hotplates or burners cool down. Wipe the top cover dry before opening it in order to avoid water leakage to the rear and inner sections of the oven.
  - Unattended cooking on a hob with fat or oil can be dangerous and may result in fire. NEVER try to extinguish a fire with water, but switch off the appliance and then cover flame e.g. with a lid or a fire blanket.
  - Danger of fire: Do not store items on the cooking surfaces.
- For the reliability of the fire of the product;
- Make sure the plug is fitting to socket as well for not cause to spark.
  - Do not use damaged or cutted or extension cable except the original cable.
  - Make sure that not whether liquid or moisture on the socket is plugged to product .
  - Make sure your gas connection is installed as well for not cause the gas leakage.

### **Intended use**

- This product is designed for domestic use. Commercial use will void the guarantee.

- This appliance is for cooking purposes only. It must not be used for other purposes, for example room heating.
- This product should not be used for warming the plates under the grill, drying towels, dish cloths etc. by hanging them on the oven door handles. This product should also not be used for room heating purposes.
- The manufacturer shall not be liable for any damage caused by improper use or handling errors.
- The oven can be used for defrosting, baking, roasting and grilling food.

### **Safety for children**

- Accessible parts may become hot during use. Young children should be kept away.
- The packaging materials will be dangerous for children. Keep the packaging materials away from children. Please dispose of all parts of the packaging according to environmental standards.
- Electrical and/or gas products are dangerous to children. Keep children away from the product when it is operating and do not allow them to play with the product.
- Do not place any items above the appliance that children may reach for.

- When the door is open, do **not** load any heavy object on it and do **not** allow children to sit on it. It may overturn or door hinges may get damaged.

### **Disposing of the old product**

#### **Compliance with the WEEE Directive and Disposing of the Waste Product:**



This product complies with EU WEEE Directive (2012/19/EU). This product bears a classification symbol for waste electrical and electronic equipment (WEEE).

This product has been manufactured with high quality parts and materials which can be reused and are suitable for recycling. Do not dispose of the waste product with normal domestic and other wastes at the end of its service life. Take it to the collection center for the recycling of electrical and electronic equipment. Please consult your local authorities to learn about these collection centers.

#### **Compliance with RoHS Directive:**

The product you have purchased complies with EU RoHS Directive (2011/65/EU). It does not contain harmful and prohibited materials specified in the Directive.

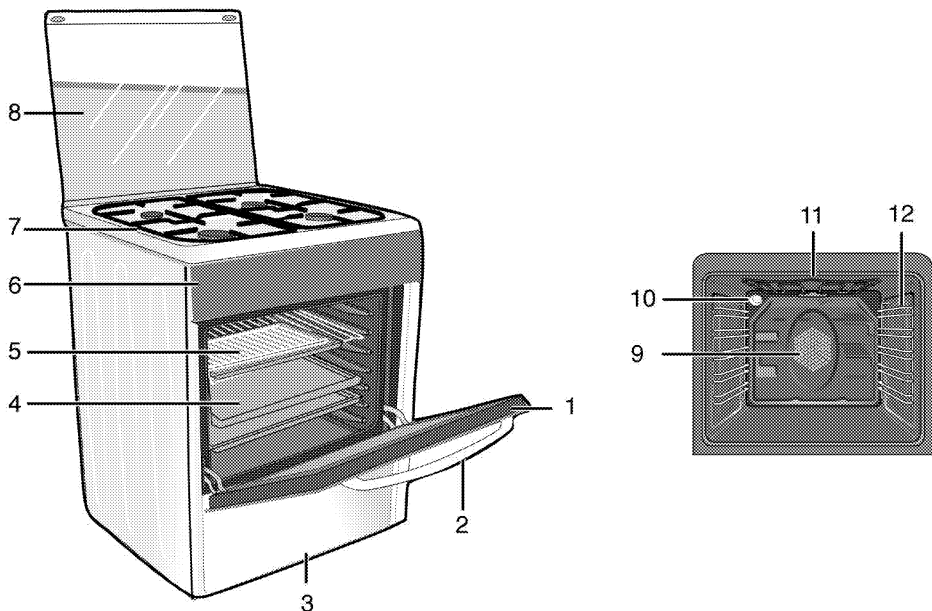


## **Package information**

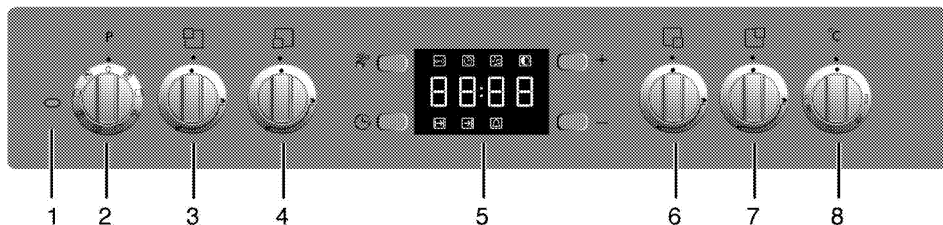
- Packaging materials of the product are manufactured from recyclable materials in accordance with our National Environment Regulations. Do not dispose of the packaging materials together with the domestic or other wastes. Take them to the packaging material collection points designated by the local authorities.

## 2 General information

### Overview



- |   |               |    |                                |
|---|---------------|----|--------------------------------|
| 1 | Front door    | 7  | Burner plate                   |
| 2 | Handle        | 8  | Top lid                        |
| 3 | Bottom drawer | 9  | Fan motor (behind steel plate) |
| 4 | Tray          | 10 | Lamp                           |
| 5 | Wire shelf    | 11 | Grill heating element          |
| 6 | Control panel | 12 | Shelf positions                |



- |   |                              |
|---|------------------------------|
| 1 | Thermostat lamp              |
| 2 | Function knob                |
| 3 | Normal burner Rear left      |
| 4 | Wok burner Front left        |
| 5 | Digital timer                |
| 6 | Auxiliary burner Front right |
| 7 | Normal burner Rear right     |
| 8 | Thermostat knob              |

## Package contents

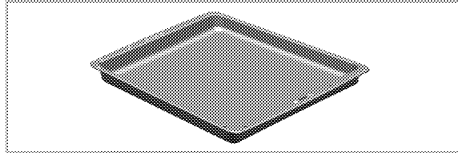


Accessories supplied can vary depending on the product model. Not every accessory described in the user manual may exist on your product.

1. **User manual**

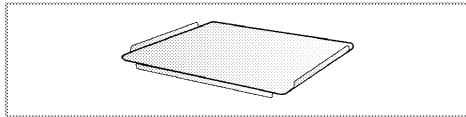
2. **Oven tray**

Used for pastries, frozen foods and big roasts.



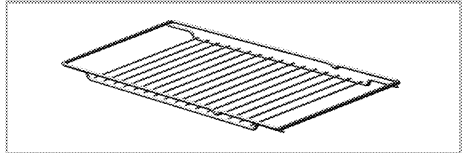
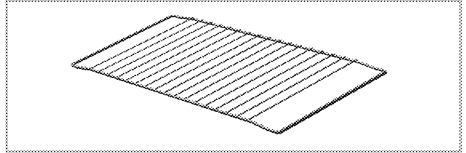
3. **Cake tray**

Used for pastries such as cookies and biscuits.



4. **Wire Shelf**

Used for roasting and for placing the food to be baked, roasted or cooked in casserole dishes to the desired rack.



5. **Coffee pot adaptor**



Used for coffe pots.

## Technical specifications

GENERAL	
External dimensions (height / width / depth)	850 mm/600 mm/600 mm
Voltage / frequency	220-240 V ~ 50 Hz
Total power consumption	2.4 kW
Fuse	min. 16 A
Cable type / section	H05VV-FG 3 x 1,5 mm <sup>2</sup>
Cable length	max. 2 m
Category of gas product	II 2E+3+ / II 2L3B/P
Gas type / pressure	NG G 20/20 mbar
Total gas consumption	8.3 kW
Converting the gas type / pressure <sup>S</sup>	LPG G 30/ 28-30 mbar
– optional	Propane 31/37 mbar - NG G 25/25 mbar
HOB	
Burners	
Rear left	<b>Normal burner</b>
Power	2000 W
Front left	<b>Wok burner</b>
Power	3300 W
Front right	<b>Auxiliary burner</b>
Power	1000 W
Rear right	<b>Normal burner</b>
Power	2000 W
OVEN/GRILL	
Main oven	<b>Multifunction oven</b>
Energy efficiency class*	A
Inner lamp	15–25 W
Grill power consumption	2.2 kW

\* Basics: Information on the energy label of electrical ovens is given in accordance with the EN 50304 standard. Those values are determined under standard load with bottom-top heater or fan assisted heating (if any) functions.



Technical specifications may be changed without prior notice to improve the quality of the product.



Figures in this manual are schematic and may not exactly match your product.



Values stated on the product labels or in the documentation accompanying it are obtained in laboratory conditions in accordance with relevant standards. Depending on operational and environmental conditions of the product, these values may vary.

## Injector table

Position hob zone	2000 W Rear left	3300 W Front left	1000 W Front right	2000 W Rear right
Gas type / Gas pressure				
G 20/20 mbar	103	140	72	103
G 30/28-30 mbar	72	96	50	72
G 25/25 mbar	103	140	72	103
G 31/ 37 mbar	72	96	50	72

### 3 Installation

Product must be installed by a qualified person in accordance with the regulations in force. The manufacturer shall not be held responsible for damages arising from procedures carried out by unauthorized persons which may also void the warranty.



Preparation of location and electrical and gas installation for the product is under customer's responsibility.



**DANGER:**

The product must be installed in accordance with all local gas and/or electrical regulations.



**DANGER:**

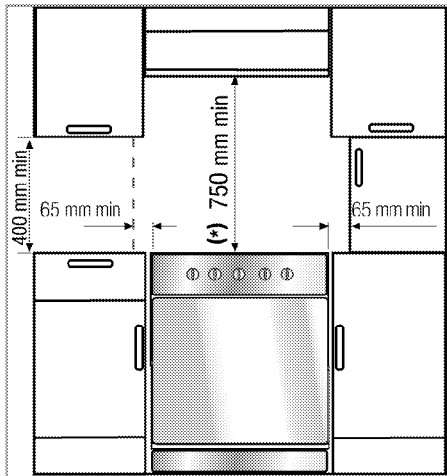
Prior to installation, visually check if the product has any defects on it. If so, do not have it installed.  
Damaged products cause risks for your safety.

- It can be used with cabinets on either side but in order to have a minimum distance of 400mm above hotplate level allow a side clearance of 65mm between the appliance and any wall, partition or tall cupboard.
- It can also be used in a free standing position. Allow a minimum distance of 750 mm above the hob surface.
- (\*) If a cooker hood is to be installed above the cooker, refer to cooker hood manufacturer' instructions regarding installation height (min 650 mm).
- The appliance corresponds to device class 1, i.e. it may be placed with the rear and **one** side to kitchen walls, kitchen furniture or equipment of any size. The kitchen furniture or equipment on the **other** side may only be of the same size or smaller.
- Any kitchen furniture next to the appliance must be heat-resistant (100 °C min.).

#### Before installation

To ensure that critical air gaps are maintained under the appliance, we recommend that this appliance is mounted on a solid base and that the feet do not sink into any carpet or soft flooring.

The kitchen floor must be able to carry the weight of the appliance plus the additional weight of cookware and bakeware and food.



#### Room ventilation

All rooms require an openable window, or equivalent, and some rooms will require a permanent vent as well.

The air for combustion is taken from the room air and the exhaust gases are emitted directly into the room.

Good room ventilation is essential for safe operation of your appliance. If there is no window or door available for room ventilation, an extra ventilation must be installed.

The appliance may be located in a kitchen, kitchen/diner or a bed-sitting room, but not in a room containing a bath or shower. The appliance must not be installed in a bed-sitting room of less than 20m<sup>3</sup>.

Do not install this appliance in a room below ground level unless it is open to ground level on at least one side.

Room size	Ventilation opening
smaller than 5 m <sup>3</sup>	min. 100 cm <sup>2</sup>
5 m <sup>3</sup> to 10 m <sup>3</sup>	min. 50 cm <sup>2</sup>
greater than 10 m <sup>3</sup> den	not required
In the cellar or basement	min. 65 cm <sup>2</sup>

## Installation and connection

Product can only be installed and connected in accordance with the statutory installation rules.



Do not install the product next to refrigerators or freezers. The heat emitted by the product will increase the energy consumption of cooling appliances.

- Carry the product with at least two persons.
- Product must be placed directly on the floor. It must not be placed onto a base or a pedestal.



Do not use the door and/or handle to carry or move the product. The door, handle or hinges get damaged.

### Electrical connection

Connect the product to a grounded outlet/line protected by a fuse of suitable capacity as stated in the "Technical specifications" table. Have the grounding installation made by a qualified electrician while using the product with or without a transformer. Our company shall not be liable for any damages that will arise due to using the product without a grounding installation in accordance with the local regulations.



#### **DANGER:**

The product must be connected to the mains supply only by an authorised and qualified person. The product's warranty period starts only after correct installation.

Manufacturer shall not be held responsible for damages arising from procedures carried out by unauthorised persons.



#### **DANGER:**

The power cable must not be clamped, bent or trapped or come into contact with hot parts of the product.

A damaged power cable must be replaced by a qualified electrician. Otherwise, there is risk of electric shock, short circuit or fire!

The mains supply data must correspond to the data specified on the type label of the product. The rating plate is either seen when the door or the lower cover is opened or it is located at the rear wall of the unit depending on the unit type.

Power cable of your product must comply with the values in "Technical specifications" table.



Power cable plug must be within easy reach after installation (do not route it above the hob).



#### **DANGER:**

Before starting any work on the electrical installation, disconnect the product from the mains supply. There is the risk of electric shock!

Plug the power cable into the socket.

### Gas connection



#### **DANGER:**

Product can be connected to gas supply system only by an authorised and qualified person.

Risk of explosion or toxication due to unprofessional repairs!

Manufacturer shall not be held responsible for damages arising from procedures carried out by unauthorised persons.



#### **DANGER:**

Before starting any work on the gas installation, disconnect the gas supply. There is the risk of explosion!

- Gas adjustment conditions and values are stated on labels (or ion type label).
- Refer to the detailed gas connection and gas conversion information in the user manual supplied with your product.



#### **DANGER:**

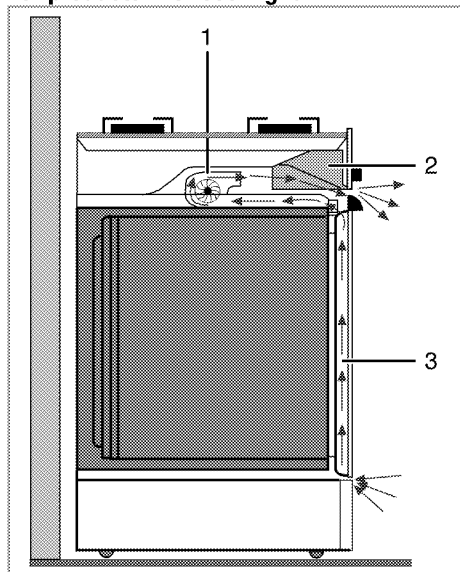
The gas hose must not be clamped, bent or trapped or come into contact with hot parts of the product. There is the risk of explosion due to damaged gas hose.

- Push the product towards the kitchen wall.
- **Adjusting the feet of oven**  
Vibrations during use may cause cooking vessels to move. This dangerous situation can be avoided if the product is level and balanced.

For your own safety please ensure the product is level by adjusting the four feet at

the bottom by turning left or right and align level with the work top.

### For products with cooling fan



- 1 Cooling fan
- 2 Control panel
- 3 Door

The cooling fan cools both the control panel and the front of the appliance.


**i** Cooling fan continues to run for up to 20-30 minutes (approx.) even after the oven is turned off.

### Final check

1. Check electrical functions.
2. Open gas supply.
3. Check gas installations for secure fitting and tightness.
4. Ignite burners and check appearance of the flame.

**i** Flame must be blue and have a regular shape. If the flame is yellowish, check if the burner cap is seated securely or clean the burner.

## Gas conversion

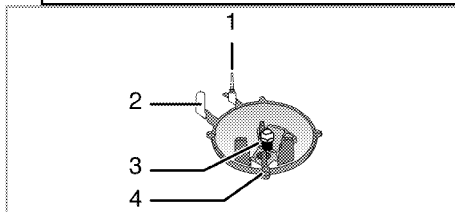
**DANGER:**  
 Before starting any work on the gas installation, disconnect the gas supply. There is the risk of explosion!

In order to change your appliance's gas type, change all injectors and make flame adjustment for all valves at reduced flow rate position.

### Exchange of injector for the burners

1. Take off burner cap and burner body.
2. Unscrew injectors by turning the counter-clockwise.
3. Fit new injectors.
4. Check all connections for secure fitting and tightness.

**i** New injectors have their position marked on their packing or injector table on *Injector table, page 12* can be referred to.



- 1 Flame failure device (model dependant)
- 2 Spark plug
- 3 Injector
- 4 Burner

**i** Unless there is an abnormal condition, do not attempt to remove the gas burner taps. You must call an Authorised service agent if it is necessary to change the taps.

### Reduced gas flow rate setting for hob taps

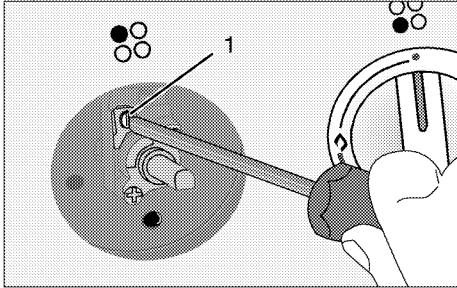
1. Ignite the burner that is to be adjusted and turn the knob to the reduced position.
2. Remove the knob from the gas tap.
3. Use an appropriately sized screwdriver to adjust the flow rate adjustment screw.

For LPG (Butane - Propane) turn the screw clockwise. For the natural gas, you should turn the screw **counter-clockwise** once.

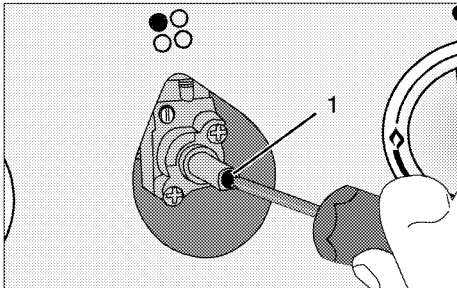
» The normal length of a straight flame in the reduced position should be 6-7 mm.

4. If the flame is higher than the desired position, turn the screw clockwise. If it is smaller turn anticlockwise.
5. For the last control, bring the burner both to high-flame and reduced positions and check whether the flame is on or off.

Depending on the type of gas tap used in your appliance the adjustment screw position may vary.



1 Flow rate adjustment screw



1 Flow rate adjustment screw

**i** If the gas type of the unit is changed, then the rating plate that shows the gas type of the unit must also be changed.

## Future Transportation

- Keep the product's original carton and transport the product in it. Follow the instructions on the carton. If you do not have the original carton, pack the product in bubble wrap or thick cardboard and tape it securely.
- To prevent the wire grill and tray inside the oven from damaging the oven door, place a strip of cardboard onto the inside of the oven door that lines up with the position of the trays. Tape the oven door to the side walls.
- Secure the caps and pan supports with adhesive tape.
- Do not use the door or handle to lift or move the product.

**i** Do not place any objects onto the product and move it in upright position.

**i** Check the general appearance of your product for any damages that might have occurred during transportation.



## 4 Preparation

### Tips for saving energy

The following information will help you to use your appliance in an ecological way, and to save energy:

- Use dark coloured or enamel coated cookware in the oven since the heat transmission will be better.
- While cooking your dishes, perform a preheating operation if it is advised in the user manual or cooking instructions.
- Do not open the door of the oven frequently during cooking.
- Try to cook more than one dish in the oven at the same time whenever possible. You can cook by placing two cooking vessels onto the wire shelf.
- Cook more than one dish one after another. The oven will already be hot.
- You can save energy by switching off your oven a few minutes before the end of the cooking time. Do not open the oven door.
- Defrost frozen dishes before cooking them.
- Use pots/pans with cover for cooking. If there is no cover, energy consumption may increase 4 times.
- Select the burner which is suitable for the bottom size of the pot to be used. Always select the correct pot size for your dishes. Larger pots require more energy.

### Initial use

#### Time setting

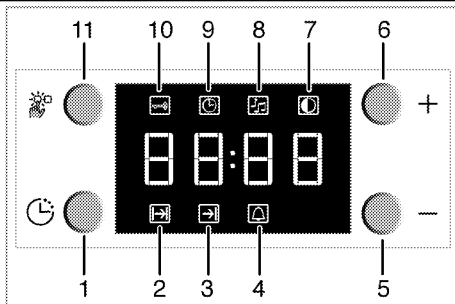


Before you can use the oven, the time must be set. If the time is not set, oven will not operate.



While making any adjustment, related symbols on the clock will flash.

Press „-“ or „+“ (5/6) keys to set the time after the oven is energized for the first time.



- 1 Program key
- 2 Cooking time
- 3 End of cooking time
- 4 Alarm symbol
- 5 Minus key
- 6 Plus key
- 7 Screen brightness setting
- 8 Alarm volume
- 9 Current time
- 10 Keylock
- 11 Adjustment key

After setting the time, you can start and end the cooking by selecting the desired position with temperature button and function button.



If the current time is not set, time setting will start increasing/moving up from **12:00**. Clock symbol '9' will be displayed to indicate that the current time has not been set. This symbol will disappear once the time is set.



Current time settings are cancelled in case of power failure. It needs to be readjusted.

To change the time of the day you have previously set:

1. Press (11) key to activate current time symbol '9'.
2. Press „-“ or „+“ (5/6) keys to set the current time.

## Changing screen brightness adjustment

1. Press (11) key to activate screen brightness symbol '7' for screen brightness adjustment.
  2. Press '-' or '+' (5/6) keys to set the desired brightness.
- » Selected brightness level will appear as **d-01**, **d-02** or **d-03** on the display.

## First cleaning of the appliance



The surface might get damaged by some detergents or cleaning materials.

Do not use aggressive detergents, cleaning powders/creams or any sharp objects during cleaning.

Do not use harsh abrasive cleaners or sharp metal scrapers to clean the oven door glass since they can scratch the surface, which may result in shattering of the glass.

1. Remove all packaging materials.
2. Wipe the surfaces of the appliance with a damp cloth or sponge and dry with a cloth.

## Initial heating

Heat up the product for about 30 minutes and then switch it off. Thus, any production residues or layers will be burnt off and removed.



### WARNING

Hot surfaces cause burns!

Product may be hot when it is in use. Never touch the hot burners, inner sections of the oven, heaters and etc. Keep children away. Always use heat resistant oven gloves when putting in or removing dishes into/from the hot oven.

## Electric oven

1. Take all baking trays and the wire grill out of the oven.
2. Close the oven door.
3. Select Static position.
4. Select the highest oven power; See *How to operate the electric oven, page 21*.
5. Operate the oven for about 30 minutes.
6. Turn off your oven; See *How to operate the electric oven, page 21*

## Grill oven

1. Take all baking trays and the wire grill out of the oven.
2. Close the oven door.
3. Select the highest grill power; see *How to operate the grill, page 26*.
4. Operate the grill about 30 minutes.
5. Turn off your grill; see *How to operate the grill, page 26*



Smoke and smell may emit for a couple of hours during the initial operation. This is quite normal. Ensure that the room is well ventilated to remove the smoke and smell. Avoid directly inhaling the smoke and the smell that emits.

## 5 How to use the hob

### General information about cooking



Never fill the pan with oil more than one third of it. Do not leave the hob unattended when heating oil. Overheated oils bring risk of fire. **Never attempt to extinguish a possible fire with water!** When oil catches fire, cover it with a fire blanket or damp cloth. Turn off the hob if it is safe to do so and call the fire department.

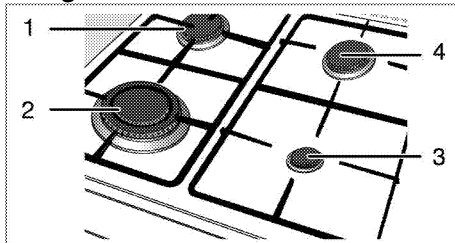
- Before frying foods, always dry them well and gently place into the hot oil. Ensure complete thawing of frozen foods before frying.
- Do not cover the vessel you use when heating oil.
- Place the pans and saucepans in a manner so that their handles are not over the hob to prevent heating of the handles. Do not place unbalanced and easily tilting vessels on the hob.
- Do not place empty vessels and saucepans on cooking zones that are switched on. They might get damaged.
- Operating a cooking zone without a vessel or saucepan on it will cause damage to the product. Turn off the cooking zones after the cooking is complete.
- As the surface of the product can be hot, do not put plastic and aluminum vessels on it. Such vessels should not be used to keep foods either.
- Use flat bottomed saucepans or vessels only.
- Put appropriate amount of food in saucepans and pans. Thus, you will not have to make any unnecessary cleaning by preventing the dishes from overflowing. Do not put covers of saucepans or pans on cooking zones. Place the saucepans in a manner so that they are centered on the cooking zone. When you want to move the saucepan onto another cooking zone, lift and place it onto

the cooking zone you want instead of sliding it.

### Gas cooking

- Size of the vessel and the flame must match each other. Adjust the gas flames so that they will not extend the bottom of the vessel and center the vessel on saucepan carrier.

### Using the hobs



- 1 Normal burner 20–22 cm
- 2 Wok burner 22–24 cm
- 3 Auxiliary burner 12–18 cm
- 4 Normal burner 20–22 cm is list of advised diameter of pots to be used on related burners.

Large flame symbol indicates the highest cooking power and small flame symbol indicates the lowest cooking symbol. In turned off position (top), gas is not supplied to the burners.

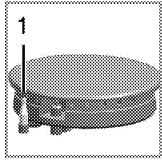
### Igniting the gas burners

1. Keep burner knob pressed.
2. Turn it counter clockwise to large flame symbol.
  - » Gas is ignited with the spark created.
3. Adjust it to the desired cooking power.

### Turning off the gas burners

Turn the keep warm zone knob to off (upper) position.

## Gas shut off safety system (in models with thermic component)



1. Gas shut off safety

As a counter measure against blow out due to fluid overflows at burners, safety mechanism trips and shuts off the gas.

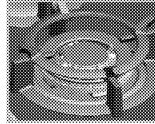
- Push the knob inwards and turn it counter clockwise to ignite.
- After the gas ignites, keep the knob pressed for 3-5 seconds more to engage the safety system.
- If the gas does not ignite after you press and release the knob, repeat the same procedure by keeping the knob pressed for 15 seconds.



### DANGER:

Release the button if the burner is not ignited within 15 seconds.  
Wait at least 1 minute before trying again.  
There is the risk of gas accumulation and explosion!

## Wok burner





Wok burners help you to cook faster. Wok, which is particularly used in Asian kitchen is a kind of deep and flat fry-pan made of sheet metal, which is used to cook minced vegetable and meat at strong flame in a short time.

Since meals are cooked at strong flame and in a very short time in such fry-pans that conduct the heat rapidly and evenly, the nutrition value of the food is preserved and vegetables remain crispy. You can use wok burner for regular saucepans as well.

## 6 How to operate the oven

### General information on baking, roasting and grilling

 **WARNING**  
Hot surfaces cause burns!  
Product may be hot when it is in use. Never touch the hot burners, inner sections of the oven, heaters and etc. Keep children away. Always use heat resistant oven gloves when putting in or removing dishes into/from the hot oven.

 **DANGER:**  
Be careful when opening the oven door as steam may escape.  
Exiting steam can scald your hands, face and/or eyes.

#### Tips for baking

- Use non-sticky coated appropriate metal plates or aluminum vessels or heat-resistant silicone moulds.
- Make best use of the space on the rack.
- Place the baking mould in the middle of the shelf.
- Select the correct rack position before turning the oven or grill on. Do not change the rack position when the oven is hot.
- Keep the oven door closed.

#### Tips for roasting

- Treating whole chicken, turkey and large piece of meat with dressings such as lemon juice and black pepper before cooking will increase the cooking performance.
- It takes about 15 to 30 minutes longer to roast meat with bones when compared to roasting the same size of meat without bones.
- Each centimeter of meat thickness requires approximately 4 to 5 minutes of cooking time.
- Let meat rest in the oven for about 10 minutes after the cooking time is over. The juice is better distributed all over the roast and does not run out when the meat is cut.

- Fish should be placed on the middle or lower rack in a heat-resistant plate.

#### Tips for grilling

When meat, fish and poultry are grilled, they quickly get brown, have a nice crust and do not get dry. Flat pieces, meat skewers and sausages are particularly suited for grilling as are vegetables with high water content such as tomatoes and onions.

- Distribute the pieces to be grilled on the wire shelf or in the baking tray with wire shelf in such a way that the space covered does not exceed the size of the heater.
- Slide the wire shelf or baking tray with grill into the desired level in the oven. If you are grilling on the wire shelf, slide the baking tray to the lower rack to collect fats. Add some water in the tray for easy cleaning.



Foods that are not suitable for grilling carry the risk of fire. Only grill food which is suitable for intensive grilling heat.

Do not place the food too far in the back of the grill. This is the hottest area and fatty food may catch fire.

### How to operate the electric oven



Before you can use the oven, the time must be set. If the time is not set, oven will not operate.

#### Select temperature and operating mode



1 Function knob

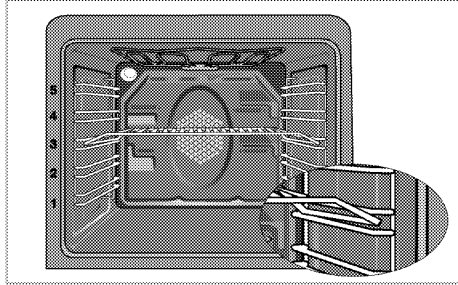
2 Thermostat knob

1. Set the Temperature knob to the desired temperature.
2. Set the Function knob to the desired operating mode.

» Oven heats up to the adjusted temperature and maintains it. During heating, temperature lamp stays on.

### Switching off the electric oven

Turn the function knob and temperature knob to off (upper) position.



### Rack positions (For models with wire shelf)

It is important to place the wire shelf onto the side rack correctly. Wire shelf must be inserted between the side racks as illustrated in the figure. Do not let the wire shelf stand against the rear wall of the oven. Slide your wire shelf to the front section of the rack and settle it with the help of the door in order to obtain a good grill performance.

### Operating modes

The order of operating modes shown here may be different from the arrangement on your product.

#### Top and bottom heating



Top and bottom heating are in operation. Food is heated simultaneously from the top and bottom. For example, it is suitable for cakes, pastries, or cakes and casseroles in baking moulds. Cook with one tray only.

#### Bottom heating



Only bottom heating is in operation. It is suitable for pizza and for subsequent browning of food from the bottom.

### Fan supported bottom/top heating



Top heating, bottom heating plus fan (in the rear wall) are in operation. Hot air is evenly distributed throughout the oven rapidly by means of the fan. Cook with one tray only.

### Operating with fan



The oven is not heated. Only the fan (in the rear wall) is in operation. Suitable for thawing frozen granular food slowly at room temperature and cooling down the cooked food.

### Fan Heating



Warm air heated by the rear heater is evenly distributed throughout the oven rapidly by means of the fan. It is suitable for cooking your meals in different rack levels and preheating is not required in most cases. Suitable for cooking with multi trays.

### "3D" function



Top heating, bottom heating and fan assisted heating (in the rear wall) are in operation. Food is cooked evenly and quickly all around. Cook with one tray only.

### Full grill



Large grill at the ceiling of the oven is in operation. It is suitable for grilling large amount of meat.

- Put big or medium-sized portions in correct rack position under the grill heater for grilling.
- Set the temperature to maximum level.
- Turn the food after half of the grilling time.

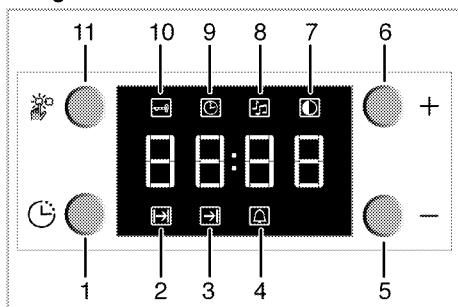
## Grill+Fan



Grilling effect is not as strong as in Full Grill

- Put small or medium-sized portions in correct shelf position under the grill heater for grilling.
- Set the desired temperature.
- Turn the food after half of the grilling time.

## Using the oven clock



- 1 Program key
- 2 Cooking time
- 3 End of cooking time
- 4 Alarm symbol
- 5 Minus key
- 6 Plus key
- 7 Screen brightness setting
- 8 Alarm volume
- 9 Current time
- 10 Keylock
- 11 Adjustment key



Maximum time that can be set for end of cooking is 5 hours 59 minutes. Program will be cancelled in case of power failure. You must reprogram the oven.



While making any adjustments, related symbols will flash on the display. You must wait for a short time for the settings to take effect.



If no cooking setting is made, time of the day cannot be set.



Cooking time will be displayed once the cooking starts.

## Cooking by specifying the cooking time:

You can set the oven so that it will stop at the end of the specified time by setting the cooking time on the clock.

1. To adjust the cooking time, Press Program key (1) and activate the Cooking Time symbol (2).
2. Press '-' / '+' (5/6) keys to set the cooking time.

» Once the Cooking Time is set, Cooking symbol will be displayed continuously.

## If you want to set the end of cooking time to a later time:

After setting the cooking time on the clock, you can set the end of cooking time to a later time.

1. To adjust the cooking time, press Program key (1) and activate the Cooking Time symbol (2).
2. Adjust the cooking time with Minus (5) and Plus (6) keys.  
» Cooking Time symbol remains lit (displayed continuously) after setting the cooking time.
3. To set the End of Cooking Time, Press Program key (1) and activate the Cooking Time symbol (3).
4. Press - (5) and + (6) keys to set the end of cooking time.

» Once the End of Cooking Time is set, End of Cooking symbol and Cooking symbol will be displayed continuously. The End of Cooking Time symbol (3) will disappear as soon as the cooking starts.

5. Put your dish into the oven.
6. Select operation mode and temperature.  
» Oven timer automatically calculates the startup time for cooking by using the end of cooking time and the cooking period you have set. Selected operation mode is activated when the startup time of cooking has come and the oven is heated up to the set temperature. It maintains this temperature until the end of cooking time.

7. After the cooking process is completed, **"End"** appears on the displayed and the alarm will sound.
8. Alarm signal will sound for 2 minutes. To stop the alarm signal, just press any key. Alarm will be silenced and current time will be displayed.



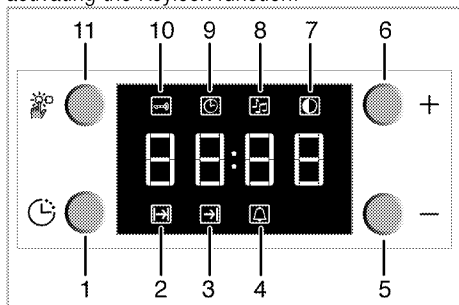
If you mute the alarm by pressing any key, the oven will restart operating. If you press any button at the end of the alarm period, the oven will restart operating.

9. Turn off the oven with the Temperature knob and Function knob.

## Using the keylock

### Activating the keylock

You can prevent oven from being used by activating the Keylock function.



- 1 Program key
  - 2 Cooking time
  - 3 End of cooking time
  - 4 Alarm symbol
  - 5 Minus key
  - 6 Plus key
  - 7 Screen brightness setting
  - 8 Alarm volume
  - 9 Current time
  - 10 Keylock
  - 11 Adjustment key
1. Press the key (11) to activate Keylock symbol (10).
  - » **"OFF"** will appear on the display.
  2. Press '+' key (6) to activate the keylock.

» Once the keylock is activated, **"On"** appears on the display and the Keylock symbol (10) remains lit.



When the Keylock function is activated, control panel buttons except for the key (11) cannot be used.

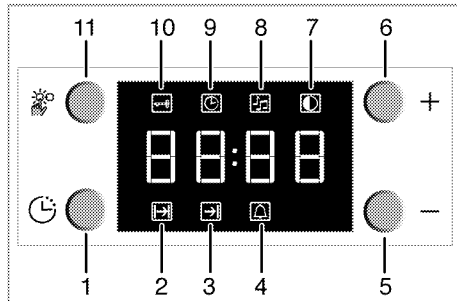
### Deactivating the keylock

1. Press Adjustment key (11) to activate Keylock symbol (10).
- » **"On"** will appear on the display.
2. Press '-' (5) to deactivate the keylock.
- » **"OFF"** will be displayed once the keylock is deactivated.

### Using the clock as an alarm

You can use the clock of the product for any warning or reminder apart from the cooking programme.

The alarm clock has no influence on the functions of the oven. It is only used as a warning. For example, this is useful when you want to turn food in the oven at a certain point of time. Alarm clock will give a signal once the time you set is over.



- 1 Program key
- 2 Cooking time
- 3 End of cooking time
- 4 Alarm symbol
- 5 Minus key
- 6 Plus key
- 7 Screen brightness setting
- 8 Alarm volume
- 9 Current time
- 10 Keylock
- 11 Adjustment key



## Setting the alarm clock

1. Press Program key (1) to activate the alarm time symbol (4).



Maximum alarm time can be 23 hours and 59 minutes.

2. Adjust the alarm time using „+“ / „-“ (5/6) keys.  
» Alarm symbol will remain lit and the alarm time will appear on the display once the alarm time is set.
3. At the end of the alarm time, Alarm Time symbol (4) will start flashing and the alarm signal is heard.

## Turning off the alarm

1. To stop the alarm, just press any key.  
» Alarm will be silenced and current time will be displayed.

## If you want to cancel the alarm:

1. To reset the alarm time, press Program key (1) to activate the alarm time symbol (4).
2. Press and hold the '–' (5) key until "00:00" is displayed.



Alarm time will be displayed. If the alarm time and cooking time are set concurrently, shortest time will be displayed.

## Changing alarm tone

1. Press Setting key (11) to activate the Alarm Tone symbol (8).
2. Adjust the desired tone using „+“ / „-“ (5/6) keys.  
» Selected alarm tone will appear as "b-01", "b-02" or "b-03" on the display.

## Cooking times table









The timings in this chart are meant as a guide. Timings may vary due to temperature of food, thickness, type and your own preference of cooking.

## Baking and roasting



1st rack of the oven is the **bottom** rack.

Dish	Cooking level number		Rack position	Temperature (°C)	Cooking time (approx. in min.)
Cakes in tray*	One level	☐	4	175	30 ... 35
Cakes in mould*	One level	☒	2	180	40 ... 50
Cakes in cooking paper*	One level	☐	3	175	25 ... 30
	2 levels	☒	1 - 5	175	30 ... 40
	3 levels	☒	1 - 3 - 5	180	45 ... 55
Sponge cake*	One level	☐	3	200	5 ... 10
	2 levels	☒	1 - 5	175	18 ... 25
Cookies*	One level	☐	3	175	20 ... 25
	2 levels	☒	1 - 5	175	25 ... 30
	3 levels	☒	1 - 3 - 5	175	30 ... 40
Dough pastry*	One level	☐	2	200	30 ... 40
	2 levels	☒	1 - 5	200	45 ... 55
	3 levels	☒	1 - 3 - 5	200	55 ... 65
Rich pastry*	One level	☐	2	200	25 ... 35
	2 levels	☒	1 - 5	200	30 ... 40
	3 levels	☒	1 - 3 - 5	190	40 ... 50
Leaven*	One level	☐	2	200	35 ... 45
	2 levels	☒	1 - 3	200	35 ... 45
Lasagna*	One level	☐	2 - 3	200	30 ... 40
Pizza*	One level	☐	2	200 ... 220	15 ... 20
Beef steak (whole) / Roast	One level	☒	3	25 min. 250/max. then 180 ... 190	100 ... 120
Leg of Lamb (casserole)	One level	☒	3	25 min. 250/max. then 190	70 ... 90

Roasted chicken	One level		2	15 min. 250/max. then 180 ... 190	65 ... 70
	One level		2	15 min. 250/max. then 180 ... 190	55 ... 65
Turkey (5.5 kg)	One level		2	25 min. 250/max. then 180 ... 190	150 ... 210
	One level		2	25 min. 250/max. then 180 ... 190	150 ... 210
Fish	One level		3	200	20 ... 30
	One level		3	200	20 ... 30

When cooking with 2 trays at the same time, place the deeper tray on the upper rack and the other one on the lower rack.  
\* It is suggested to perform preheating for all foods.


(\*\*) In a cooking that requires preheating, preheat at the beginning of cooking until the thermostat lamp turns off.

### Tips for baking cake

- If the cake is too dry, increase the temperature by 10°C and decrease the cooking time.
- If the cake is wet, use less liquid or lower the temperature by 10°C.
- If the cake is too dark on top, place it on a lower rack, lower the temperature and increase the cooking time.
- If cooked well on the inside but sticky on the outside use less liquid, lower the temperature and increase the cooking time.

### Tips for baking pastry


- If the pastry is too dry, increase the temperature by 10°C and decrease the cooking time. Dampen the layers of dough with a sauce composed of milk, oil, egg and yoghurt.
- If the pastry takes too long to bake, pay care that the thickness of the pastry you have prepared does not exceed the depth of the tray.
- If the upper side of the pastry gets browned, but the lower part is not cooked, make sure that the amount of sauce you have used for the pastry is not too much at the bottom of the pastry. Try to scatter the sauce equally between the dough layers and on the top of pastry for an even browning.

 Cook the pastry in accordance with the mode and temperature given in the cooking table. If the bottom part is still not browned enough, place it on one lower rack next time.

### Tips for cooking vegetables

- If the vegetable dish runs out of juice and gets too dry, cook it in a pan with a lid instead of a tray. Closed vessels will preserve the juice of the dish.
- If a vegetable dish does not get cooked, boil the vegetables beforehand or prepare them like canned food and put in the oven.

### How to operate the grill

 Before you can use the oven, the time must be set. If the time is not set, oven will not operate.

 **WARNING**  
Close oven door during grilling.  
Hot surfaces may cause burns!

### Switching on the grill

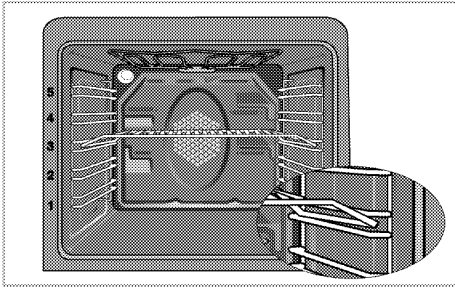
1. Turn the Function knob to the desired grill symbol.
  2. Then, select the desired grilling temperature.
  3. If required, perform a preheating of about 5 minutes.
- » Temperature light turns on.

### Switching off the grill

1. Turn the Function knob to Off (top) position.

### Rack positions

Grill performance will decrease if the wire grill stands against rear part of the oven. Slide your wire grill to the front section of the rack and settle it with the help of the door in order to obtain the best grill performance.



Foods that are not suitable for grilling carry the risk of fire. Only grill food which is suitable for intensive grilling heat.  
Do not place the food too far in the back of the grill. This is the hottest area and fatty food may catch fire.

## Cooking times table for grilling

### Grilling with electric grill

Food	Insertion level	Grilling time (approx.)
Fish	4..5	20...25 min. <sup>#</sup>
Sliced chicken	4..5	25...35 min.
Lamb chops	4..5	20...25 min.
Roast beef	4..5	25...30 min. <sup>#</sup>
Veal chops	4..5	25...30 min. <sup>#</sup>
Toast bread	4	1...2 min.

<sup>#</sup> depending on thickness

## 7 Maintenance and care

### General information

Service life of the product will extend and the possibility of problems will decrease if the product is cleaned at regular intervals.



#### DANGER:

Disconnect the product from mains supply before starting maintenance and cleaning works.

There is the risk of electric shock!



#### DANGER:

Allow the product to cool down before you clean it.

Hot surfaces may cause burns!

- Clean the product thoroughly after each use. In this way it will be possible to remove cooking residues more easily, thus avoiding these from burning the next time the appliance is used.
- No special cleaning agents are required for cleaning the product. Use warm water with washing liquid, a soft cloth or sponge to clean the product and wipe it with a dry cloth.
- Always ensure any excess liquid is thoroughly wiped off after cleaning and any spillage is immediately wiped dry.
- Do not use cleaning agents that contain acid or chloride to clean the stainless or inox surfaces and the handle. Use a soft cloth with a liquid detergent (not abrasive) to wipe those parts clean, paying attention to sweep in one direction.
- Do not use solid metal scrapers or abrasive cleaning materials to clean the glass cover. Glass surface can get damaged.



The surface might get damaged by some detergents or cleaning materials.

Do not use aggressive detergents, cleaning powders/creams or any sharp objects during cleaning.

Do not use harsh abrasive cleaners or sharp metal scrapers to clean the oven door glass since they can scratch the surface, which may result in shattering of the glass.



Do not use steam cleaners to clean the appliance as this may cause an electric shock.

### Cleaning the hob

#### Gas hobs

1. Remove and clean the saucepan carriers and burner caps.
2. Clean the hob.
3. Install the burner caps and make sure that they are seated correctly.
4. When installing the upper grills, pay attention to place the saucepan carriers so that the burners are centered.

### Cleaning the control panel

Clean the control panel and knobs with a damp cloth and wipe them dry.



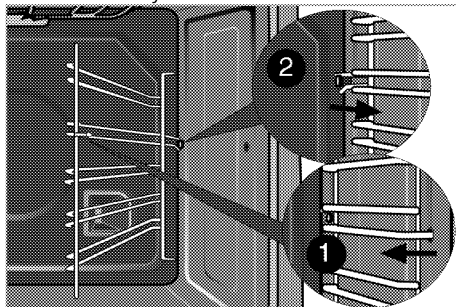
Do not remove the control buttons/knobs to clean the control panel.

Control panel may get damaged!

### Cleaning the oven

#### To clean the side wall

1. Remove the front section of the side rack by pulling it in the opposite direction of the side wall.
2. Remove the side rack completely by pulling it towards you.



#### Clean oven door

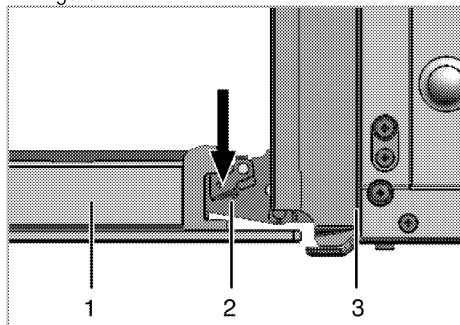
To clean the oven door, use warm water with washing liquid, a soft cloth or sponge to clean the product and wipe it with a dry cloth.



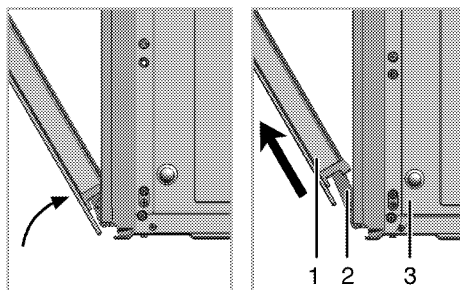
Don't use any harsh abrasive cleaners or sharp metal scrapers for cleaning the oven door. They could scratch the surface and destroy the glass.

## Removing the oven door

1. Open the front door (1).
2. Open the clips at the hinge housing (2) on the right and left hand sides of the front door by pressing them down as illustrated in the figure.



- 1 Front door
- 2 Hinge
- 3 Oven



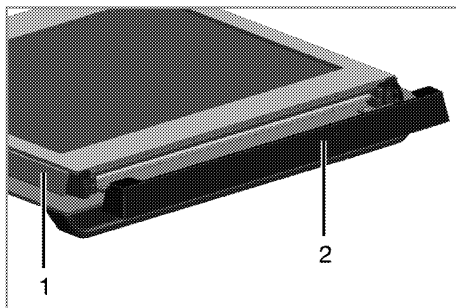
3. Move the front door to half-way.
4. Remove the front door by pulling it upwards to release it from the right and left hinges.



Steps carried out during removing process should be performed in reverse order to install the door. Do not forget to close the clips at the hinge housing when reinstalling the door.

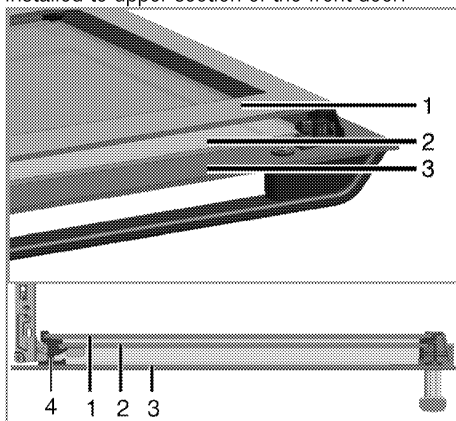
## Removing the door inner glass

The inner glass panel of the oven door can be removed for cleaning. Open the oven door.



- 1 Frame
- 2 Plastic part

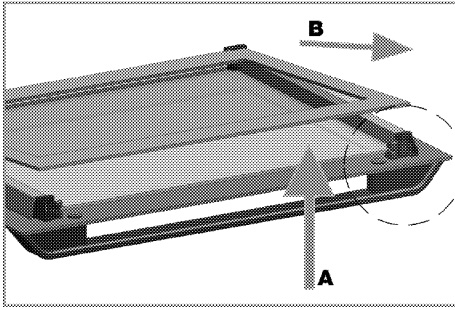
Pull towards yourself and remove the plastic part installed to upper section of the front door.



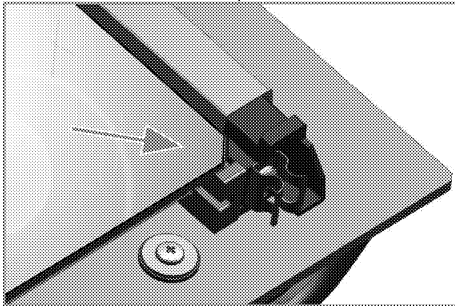
- 1 Innermost glass panel
- 2 Inner glass panel
- 3 Outer glass panel
- 4 Plastic glass panel slot-Lower

As illustrated in figure, raise the innermost glass panel (1) slightly in direction A and pull it out in direction B.

Repeat the same procedure to remove the inner glass panel (2).



The first step to regroup the door is reinstalling inner glass panel (2).  
As illustrated in figure, place the chamfered corner of the glass panel so that it will rest in the chamfered corner of the plastic slot.



Inner glass panel (2) must be installed into the plastic slot close the innermost glass panel (1).  
When installing the innermost glass panel (1), make sure that the printed side of the panel faces towards the inner glass panel.  
It is important to seat lower corner of inner glass panel into the lower plastic slot.  
Push the plastic part towards the frame until you hear a "click".

## Replacing the oven lamp



### DANGER:

Before replacing the oven lamp, make sure that the product is disconnected from mains and cooled down in order to avoid the risk of an electrical shock.  
Hot surfaces may cause burns!



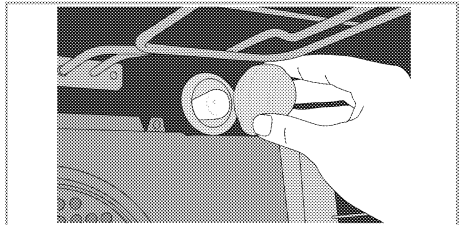
The oven lamp is a special electric light bulb that can resist up to 300 °C. See *Technical specifications, page 12* for details. Oven lamps can be obtained from Authorised Service Agents.



Position of lamp might vary from the figure.

### If your oven is equipped with a round lamp:

1. Disconnect the product from mains.
2. Turn the glass cover counter clockwise to remove it.



3. Remove the oven lamp by turning it counter clockwise and replace it with the new one.
4. Install the glass cover.

## 8 Troubleshooting

### **Oven emits steam when it is in use.**

- It is normal that steam escapes during operation. >>> *This is not a fault.*

### **Product emits metal noises while heating and cooling.**

- When the metal parts are heated, they may expand and cause noise. >>> *This is not a fault.*

### **Product does not operate.**

- The mains fuse is defective or has tripped. >>> *Check fuses in the fuse box. If necessary, replace or reset them.*
- Product is not plugged into the (grounded) socket. >>> *Check the plug connection.*
- Buttons/knobs/keys on the control panel do not function. >>> *Keylock may be enabled. Please disable it. (See. Using the keylock, page 24 )*

### **Oven light does not work.**

- Oven lamp is defective. >>> *Replace oven lamp.*
- Power is cut. >>> *Check if there is power. Check the fuses in the fuse box. If necessary, replace or reset the fuses.*

### **Oven does not heat.**

- Function and/or Temperature are not set. >>> *Set the function and the temperature with the Function and/or Temperature knob/key.*
- In models equipped with a timer, the timer is not adjusted. >>> *Adjust the time.* (In products with microwave oven, timer controls only microwave oven.)
- Power is cut. >>> *Check if there is power. Check the fuses in the fuse box. If necessary, replace or reset the fuses.*

### **There is no ignition spark.**

- No current. >>> *Check fuses in the fuse box.*
- Time is not set. >>> *Set the time.*

### **There is no gas.**

- Main gas valve is closed. >>> *Open gas valve.*
- Gas pipe is bent. >>> *Install gas pipe properly.*

### **Burners are not burning properly or at all.**

- Burners are dirty. >>> *Clean burner components.*
- Burners are wet. >>> *Dry the burner components.*
- Burner cap is not mounted safely. >>> *Mount the burner cap properly.*
- Gas valve is closed. >>> *Open gas valve.*
- Gas cylinder is empty (when using LPG). >>> *Replace gas cylinder.*

### **(In models with timer) Clock display is blinking or clock symbol is on.**

- A previous power outage has occurred. >>> *Adjust the time / Switch of the product and switch it on again.*



Consult the Authorised Service Agent or the dealer where you have purchased the product if you can not remedy the trouble although you have implemented the instructions in this section. Never attempt to repair a defective product yourself.

## Avant de commencer, bien vouloir lire ce manuel d'utilisation !

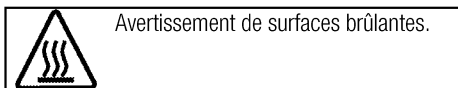
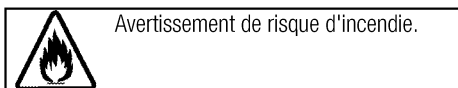
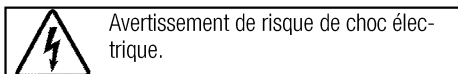
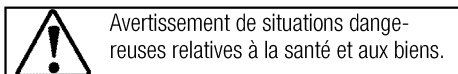
Chère cliente, cher client,

Nous vous remercions d'avoir porté votre choix sur un produit Beko. Nous espérons que vous tirerez le meilleur parti de votre produit, qui a été fabriqué avec une technologie de pointe et de qualité supérieure. C'est pourquoi nous vous prions de lire attentivement le présent manuel et tous les autres documents connexes dans leur intégralité avant d'utiliser le produit et de les conserver ensuite car vous pourrez avoir besoin de vous en servir ultérieurement. Si vous cédez l'appareil à une tierce personne, n'oubliez pas de lui fournir le Manuel d'utilisation également. Respectez tous les avertissements et informations contenus dans le manuel d'utilisation.

Souvenez-vous que ce Manuel d'utilisation s'applique également à plusieurs autres modèles. Les différences entre les modèles seront identifiées dans le manuel.

### Explication des symboles

Vous trouverez les symboles suivants dans ce Manuel d'utilisation :



**Arçelik A.Ş.**  
Karaağaç caddesi No:2-6  
34445 Sütlüce/Istanbul/TURKEY  
Made in TURKEY



**1 Instructions importantes et mises en garde relatives à la sécurité et à l'environnement 4**

Sécurité générale .....4  
 Sécurité lors de travaux concernant le gaz .....4  
 Sécurité électrique .....6  
 Sécurité du produit.....7  
 Utilisation prévue.....8  
 Sécurité des enfants.....9  
 Mise au rebut de l'ancien appareil.....9  
 Elimination des emballages.....9

**2 Généralités 10**

Vue d'ensemble .....10  
 Contenu de l'emballage.....11  
 Caractéristiques techniques .....11  
 Tableau des injecteurs.....12

**3 Installation 13**

Avant l'installation .....13  
 Installation et branchement.....14  
 Conversion du gaz.....16  
 Déplacement ultérieur .....17

**4 Préparations 18**

Conseils pour faire des économies d'énergie .18  
 Première utilisation .....18  
 Réglage du temps initial .....18  
 Premier nettoyage de l'appareil.....19  
 Première cuisson .....19

**5 Utilisation de la table de cuisson 20**

Généralités concernant la cuisson ..... 20  
 Utilisation des tables de cuisson..... 20

**6 Utilisation du four 22**

Informations générales concernant la pâtisserie, la rôtisserie et les grillades..... 22  
 Utilisation du four électrique ..... 22  
 Modes de fonctionnement..... 23  
 Utilisation de l'horloge du four ..... 24  
 Utilisation du verrouillage des touches ..... 25  
 Utilisation de l'horloge comme alarme ..... 26  
 Tableau des temps de cuisson ..... 26  
 Utilisation du grill..... 28  
 Tableau des temps de cuisson pour le grill.... 28

**7 Maintenance et entretien 29**

Généralités ..... 29  
 Nettoyage de la table de cuisson ..... 29  
 Nettoyage du bandeau de commande..... 29  
 Nettoyage du four..... 29  
 Retirer la porte du four..... 30  
 Retrait de la vitre de la porte ..... 30  
 Remplacement de l'ampoule du four ..... 31

**8 Recherche et résolution des pannes 32**

## **1 Instructions importantes et mises en garde relatives à la sécurité et à l'environnement**

Ce chapitre contient les instructions de sécurité qui vous aideront à éviter les risques de blessure corporelle ou de dégâts matériels. Le non respect de ces instructions entraînera l'annulation de toute garantie.

### **Sécurité générale**

- Cet appareil peut être utilisé par des enfants de 8 ans et plus et des personnes aux capacités physiques, sensorielles ou mentales réduites ou des personnes dénuées d'expérience ou de connaissance si elles ont pu bénéficier d'une surveillance ou d'instructions concernant l'utilisation de l'appareil en toute sécurité et comprennent les risques encourus.  
Les enfants ne doivent pas jouer avec l'appareil. Le nettoyage et l'entretien ne doivent pas être effectués par un enfant sans surveillance.
- Ne jamais poser l'appareil sur un sol recouvert de moquette. Dans le cas contraire, l'absence de circulation d'air en-dessous de l'appareil entraînera la surchauffe des pièces électriques. Cette surchauffe causera des dommages à votre appareil.

- Les procédures d'installation et de réparation doivent en tout temps être effectuées par des agents d'entretien qualifiés. Le fabricant ne sera pas responsable des dommages causés à la suite d'une utilisation faite par des personnes non qualifiées, situation susceptible d'annuler aussi la garantie. Avant l'installation, lisez attentivement les instructions.
- Ne faites pas fonctionner l'appareil s'il est défectueux ou présente des dégâts visibles.
- Assurez-vous que les boutons de fonctionnement de l'appareil sont en position d'arrêt après chaque utilisation.

### **Sécurité lors de travaux concernant le gaz**

- Toutes les opérations sur des équipements et des systèmes de gaz ne peuvent être réalisées que par des personnes habilitées et qualifiées.
- Avant l'installation, assurez-vous que les conditions de distribution locale (type et pression du gaz) sont compatibles aux réglages de l'appareil.
- Cet appareil n'est pas raccordé à un dispositif d'évacuation des produits de la combustion. Il doit

être installé et raccordé conformément aux réglementations d'installation en vigueur. Une attention particulière doit être portée aux exigences applicables concernant la ventilation; consultez *Avant l'installation*, page 13.

- L'utilisation d'un appareil de cuisson à gaz produit de la chaleur, de l'humidité et des produits de combustion dans la pièce où il est installé. Veillez à ce que la cuisine soit bien ventilée. Notamment quand l'appareil est en fonctionnement: Gardez les espaces de ventilation ouverts ou installez un appareil de ventilation mécanique (hotte aspirante). Une utilisation intensive prolongée de l'appareil peut nécessiter une ventilation supplémentaire. À titre d'exemple, vous pouvez renforcer le niveau de ventilation mécanique le cas échéant.
- Les appareils et les systèmes à gaz doivent être vérifiés régulièrement pour assurer leur fonctionnement correct. Le régulateur, le tuyau et son collier de serrage doivent être vérifiés régulièrement et remplacés à la fréquence recommandée par le fabricant ou lorsque nécessaire.
- Nettoyez régulièrement les brûleurs à gaz. Les flammes doivent

être bleues et brûler de manière uniforme.

- Une bonne combustion est nécessaire dans les appareils à gaz. En cas de combustion incomplète, du monoxyde de carbone (CO) pourrait être généré. Le monoxyde de carbone est incolore, inodore et très toxique, pouvant être mortel même à très petites doses.
- Demandez les informations concernant les numéros de téléphone d'urgence et les mesures de sécurité à prendre en cas d'odeur de gaz auprès de votre fournisseur en gaz.

### **Que faire si vous sentez une odeur de gaz**

- N'utilisez pas de flamme nue et ne fumez pas. N'appuyez sur aucun bouton électrique (ex., bouton de l'ampoule, sonnette d'entrée, etc.) N'utilisez pas de téléphone fixe ou de téléphone portable. Risque d'explosion et d'intoxication !
- Ouvrez les portes et fenêtres.
- Fermez toutes les valves sur les appareils à gaz et les compteurs de gaz.
- Vérifiez le branchement de tous les tuyaux et raccords. Si vous sentez toujours une odeur de gaz, quittez l'appartement.
- Avertissez les voisins.

- Contactez les pompiers. Utilisez un téléphone en-dehors de votre domicile.
- Ne rentrez pas dans votre domicile tant qu'on ne vous a pas indiqué que cela pouvait se faire en toute sécurité.

## **Sécurité électrique**

- Si le produit est en panne, ne l'utilisez pas, à moins qu'il ne soit réparé par un Agent d'entretien agréé. Vous risqueriez un choc électrique !
- Branchez l'appareil uniquement à une sortie/ligne avec mise à la terre ainsi que la tension et la protection spécifiées dans le chapitre « Spécifications techniques ». Faites installer la mise à la terre par un électricien qualifié lorsque vous utilisez l'appareil avec ou sans transformateur. Notre entreprise décline sa responsabilité par rapport à tout problème consécutif à la non mise à la terre de l'appareil suivant la réglementation locale en vigueur.
- Ne lavez jamais l'appareil en y versant de l'eau. Vous risqueriez un choc électrique !
- Ne touchez jamais la prise si vous avez des mains mouillées ! De même, ne débranchez jamais l'appareil en le tirant par le câble. Pour ce faire, il est conseillé de toujours tenir la prise avant de la tirer.
- Débranchez l'appareil pendant les opérations d'installation, d'entretien, de nettoyage et de réparation.
- Si le cordon d'alimentation est endommagé, il doit être remplacé par le fabricant, l'un de ses techniciens ou une personne de qualification similaire afin d'éviter tout risque.
- Installez l'appareil de sorte que l'on puisse le déconnecter complètement du réseau. La séparation doit être effectuée par une prise secteur ou un commutateur intégré à l'installation électrique fixe, suivant la réglementation en matière de construction.
- La surface arrière du four devient chaude pendant l'utilisation. Vérifiez que le raccordement de gaz/électrique n'est pas en contact avec la surface arrière, cela pourrait endommager les connexions.
- Ne pas coincer le câble d'alimentation entre la porte du four et le châssis et ne pas le faire passer sur des surfaces brûlantes. Dans le cas contraire, l'isolation du câble pourrait fondre et provoquer un incendie suite à un court-circuit.

- Toutes les opérations sur des équipements et des systèmes électriques ne peuvent être réalisées que par des personnes habilitées et qualifiées.
- En cas de dégâts, éteignez l'appareil et débranchez-le du secteur. Pour ce faire, coupez le fusible domestique.
- Vérifiez que la tension du fusible est compatible avec l'appareil.

### **Sécurité du produit**

- Les parties accessibles de l'appareil deviennent chaudes au cours de son utilisation. Des mesures doivent être prises pour éviter de toucher aux éléments de chauffage. Les enfants de moins de 8 ans doivent être maintenus à l'écart, sauf s'ils sont continuellement surveillés.
- Ne jamais utiliser l'appareil lorsque le jugement ou la coordination est affectée par l'alcool et/ou la drogue.
- Prenez garde lorsque vous utilisez des boissons alcoolisées dans vos plats. L'alcool s'évapore à températures élevées et peut provoquer un incendie étant donné qu'il peut s'enflammer lorsqu'il entre en contact avec des surfaces chaudes.
- Assurez-vous qu'aucune substance inflammable ne soit placée à proximité de l'appareil étant

donné que les côtés peuvent chauffer pendant son utilisation.

- L'appareil chauffe pendant son utilisation. Des mesures doivent être prises pour éviter de toucher aux éléments de chauffage qui se trouvent à l'intérieur du four.
- épargnez les ouvertures de ventilation d'éventuelles obstructions.
- Ne pas faire chauffer de boîtes de conserves et de bocaux en verre clos dans le four. La pression qui s'accumulerait dans la boîte/le bocal pourrait le faire éclater.
- Ne placez pas de plaques de cuisson, de plats ou de feuille d'aluminium directement sur le bas du four. L'accumulation de chaleur pourrait endommager le fond du four.
- N'utilisez pas de nettoyeurs fortement abrasifs ou de grattoir en métal affûté pour nettoyer la porte vitrée du four car ils peuvent rayer la surface, ce qui peut entraîner fêler la vitre.
- N'utilisez pas de nettoyeurs à vapeur pour le nettoyage de l'appareil, car ceux-ci présentent un risque d'électrocution.
- Utilisez les grilles telles que décrites dans la section « Utilisation du four électrique ».
- Ne pas utiliser l'appareil si la porte en verre est absente ou fendue.

- La poignée du four n'est pas un sèche-serviettes. Ne pendez pas de serviettes, gants ou produits textiles similaires lorsque la porte est ouverte avec la fonction grill.
- Utilisez toujours des gants de protection thermique lorsque vous placez dans ou retirez des plats du four chaud.
- Assurez-vous d'avoir éteint l'appareil avant de procéder au remplacement de l'ampoule. Cette précaution vous évite tout risque de choc électrique.
- Ne refermez pas la plaque de recouvrement supérieure avant que les plaques chauffantes ou les brûleurs n'aient refroidi. Essayez la plaque de recouvrement supérieure avant de l'ouvrir afin d'éviter tout écoulement d'eau vers l'arrière ou l'intérieur du four.
- Le fait de cuire les aliments contenant de l'huile ou des matières grasses sur une table de cuisson sans surveillance peut s'avérer dangereux, au point de provoquer un incendie. N'essayez JAMAIS d'éteindre le feu avec de l'eau. Coupez plutôt l'alimentation de l'appareil, puis couvrez la flamme avec un couvercle ou une couverture pare-flammes.
- Danger d'incendie : ne rien conserver sur les surfaces de cuisson.

Pour que le feu produit par votre appareil soit fiable,

- veillez à ce que la fiche soit bien branchée dans la prise afin que des étincelles ne se produisent pas.
- Utilisez uniquement les câbles de rallonge d'origine, et veillez à ce qu'ils ne soient pas coupés ou autrement endommagés.
- Assurez-vous également que la prise ne contient pas de liquide ni de moisissure avant de brancher l'appareil.
- Veillez enfin à ce que votre connexion au gaz soit installée afin d'éviter toute fuite de gaz.

### **Utilisation prévue**

- Cet appareil est conçu pour un usage domestique. L'utilisation commerciale est interdite.
- Cette appareil doit être utilisé seulement à des fins de cuisson. Il ne doit pas être utilisé à d'autres fins, par exemple le chauffage de la pièce.'
- Évitez d'utiliser cet appareil pour réchauffer les assiettes sous le grill, accrocher des serviettes et des torchons, etc. sur les poignées, sécher et réchauffer quoi que ce soit.
- Le fabricant ne saurait être tenu responsable des dégâts causés par une utilisation ou une manipulation incorrecte.

- Le four peut être utilisé pour décongeler, cuire, rôti et griller des aliments.

### **Sécurité des enfants**

- Les parties accessibles peuvent s'échauffer pendant l'utilisation. Les enfants doivent être tenus à l'écart.
- Les matériaux d'emballage peuvent présenter un danger pour les enfants. Gardez les matériaux d'emballage hors de portée des enfants. Veuillez jeter les pièces de l'emballage en respectant les normes écologiques.
- Les appareils électriques et/ou à gaz sont dangereux pour les enfants. Tenez les enfants à l'écart de l'appareil lorsqu'il fonctionne et interdisez-leur de jouer avec.
- Ne rangez pas d'objets au dessus de l'appareil que les enfants pourraient atteindre.
- Lorsque la porte avant est ouverte, **ne posez pas** d'objets lourds dessus et **ne permettez pas** aux enfants de s'y asseoir. Il pourrait basculer ou les charnières de porte être endommagées.

### **Mise au rebut de l'ancien appareil**

#### **Conformité avec la directive DEEE et mise au rebut des déchets :**



Ce produit est conforme à la directive DEEE (2012/19/UE) de l'Union européenne). Ce produit porte un symbole

de classification pour la mise au rebut des équipements électriques et électroniques (DEEE).

Le présent produit a été fabriqué avec des pièces et du matériel de qualité supérieure susceptibles d'être réutilisés et adaptés au recyclage. Par conséquent, nous vous conseillons de ne pas le mettre au rebut avec les ordures ménagères et d'autres déchets à la fin de sa durée de vie. Au contraire, rendez-vous dans un point de collecte pour le recyclage de tout matériel électrique et électronique. Veuillez vous rapprocher des autorités de votre localité pour plus d'informations concernant le point de collecte le plus proche.

#### **Conformité avec la directive LdSD :**

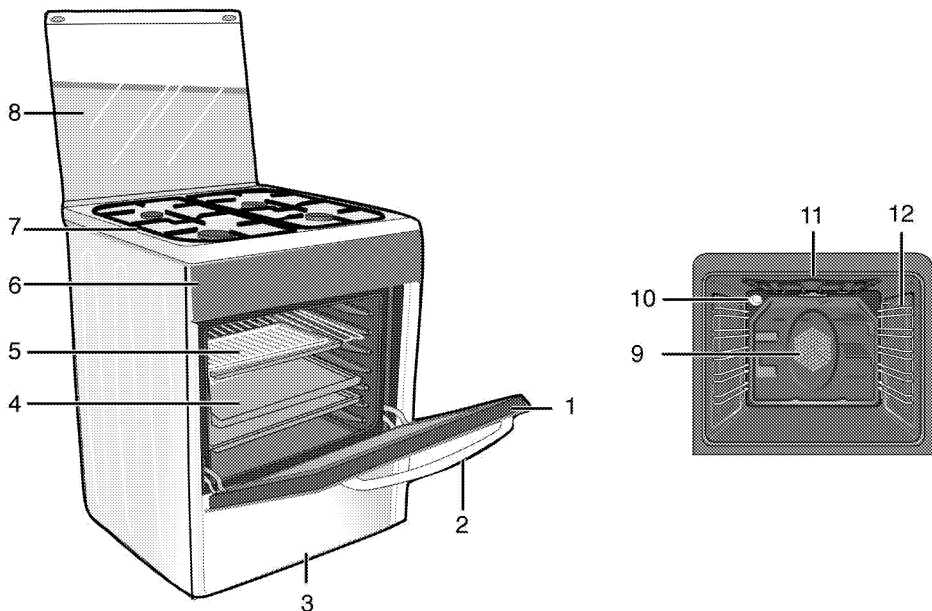
L'appareil que vous avez acheté est conforme à la directive LdSD (2011/65/UE) de l'Union européenne. Il ne comporte pas les matériels dangereux et interdits mentionnés dans la directive.

#### **Élimination des emballages**

- Les emballages sont dangereux pour les enfants. Conservez les emballages en lieu sûr à l'écart des enfants. Les emballages de l'appareil sont fabriqués à partir de matériaux recyclés. Éliminez-les de manière appropriée et triez-les en fonction des instructions de recyclage des déchets. Ne les jetez pas avec les déchets domestiques normaux.

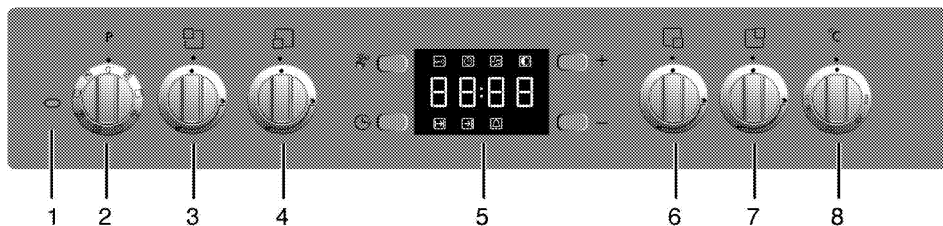
## 2 Généralités

### Vue d'ensemble



- 1 Porte frontale
- 2 Poignée
- 3 Tiroir inférieur
- 4 Plaque
- 5 Grille
- 6 Bandeau de commande
- 7 Plaque de brûleur

- 8 Couvercle supérieur
- 9 Moteur du ventilateur (derrière la plaque en acier)
- 10 Ampoule
- 11 Élément chauffant du grill
- 12 Positions de la grille



- 1 Lampe de thermostat
- 2 Molette de sélection des fonctions
- 3 Brûleur normal Arrière gauche
- 4 Brûleur à wok Avant gauche
- 5 Minuteur numérique
- 6 Brûleur auxiliaire Avant droit
- 7 Brûleur normal Arrière droit

- 8 Molette de réglage du thermostat



## Contenu de l'emballage

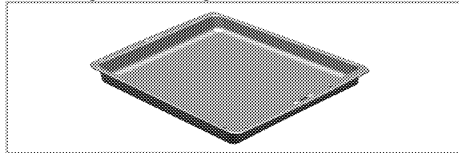


Les accessoires fournis peuvent varier selon le modèle de l'appareil. Tous les accessoires décrits dans le manuel d'utilisation peuvent ne pas faire partie de votre appareil.

### 1. Manuel de l'utilisateur

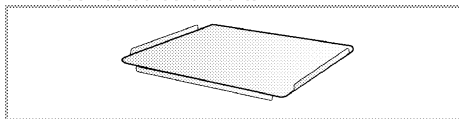
### 2. Plaque à four

Utilisée pour les pâtisseries, les aliments congelés et les grands rôtis.



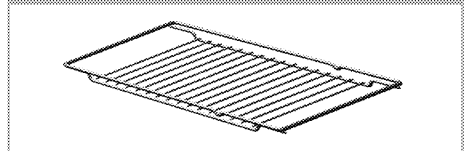
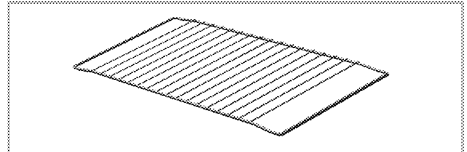
### 3. Plaque à gâteau

Utilisée pour les pâtisseries telles que les cookies et les biscuits.



### 4. Grille

Utilisée pour les rôtis et pour les aliments à cuire, rôtir ou pour les ragoûts, elle se place dans le châssis à la hauteur souhaitée.



### 5. Adaptateur pour cafetière



Utilisé pour les cafetières.

## Caractéristiques techniques

### GENERALITES

Dimensions extérieures (hauteur/longueur/profondeur)	850 mm/600 mm/600 mm
Tension/fréquence	220-240 V ~ 50 Hz
Consommation d'énergie totale	2.4 kW
Fusible	min. 16 A
Type de câble/section	H05VV-FG 3 x 1,5 mm <sup>2</sup>
Longueur de câble	max. 2 m
Catégorie de produit à gaz	II 2E+3+ / II 2L3B/P
Type /pression de gaz	NG G 20/20 mbar
Consommation totale de gaz	8.3 kW
Type / pression de conversion au gaz <sup>S</sup>	LPG G 30/ 28-30 mbar
en option	Propane 31/37 mbar - NG G 25/25 mbar

### Table de cuisson

#### Brûleurs

Arrière gauche	Brûleur normal
Puissance	2000 W
Avant gauche	Brûleur à wok
Puissance	3300 W
Avant droit	Brûleur auxiliaire
Puissance	1000 W
Arrière droit	Brûleur normal
Puissance	2000 W

FOUR/GRILL	
Four principal	Four multifonction
Classe d'efficacité énergétique <sup>#</sup>	A
Ampoule interne	15–25 W
Consommation électrique du grill	2,2 kW

<sup>#</sup> Données de base : Les informations sur l'étiquette énergétique des fours électriques sont fournies conformément à la norme EN 50304. Ces valeurs sont déterminées à charge standard avec des résistances de voûte et de sole ou des fonctions de cuisson ventilée (le cas échéant).



Les caractéristiques techniques peuvent changer sans avis préalable afin d'améliorer la qualité de l'appareil.



Les illustrations comprises dans ce manuel sont schématiques et peuvent ne pas correspondre exactement à l'appareil.



Les valeurs mentionnées sur les étiquettes de l'appareil ou dans la documentation qui l'accompagnent sont obtenues dans des conditions de laboratoire conformément aux normes correspondantes. En fonction des conditions de fonctionnement et de l'environnement de l'appareil, ces valeurs peuvent varier.

## Tableau des injecteurs

Position de la zone de la table de cuisson	2000 W Arrière gauche	3300 W Avant gauche	1000 W Avant droit	2000 W Arrière droit
Type / pression de gaz				
G 20/20 mbar	103	140	72	103
G 30/28-30 mbar	72	96	50	72
G 25/25 mbar	103	140	72	103
G 31/ 37 mbar	72	96	50	72

### 3 Installation

Le produit doit être installé par une personne qualifiée conformément à la réglementation en vigueur. Dans le cas contraire, la garantie n'est pas valable. Le fabricant se sera pas tenu pour responsable des dégâts consécutifs à des procédures réalisées par des personnes non autorisées et pourra annuler la garantie dans ce cas.



La préparation de l'emplacement et l'installation du gaz et de l'électricité pour l'appareil sont sous la responsabilité du client.



#### DANGER:

Installez l'appareil conformément aux réglementations en matière de gaz et d'électricité en vigueur dans votre localité.



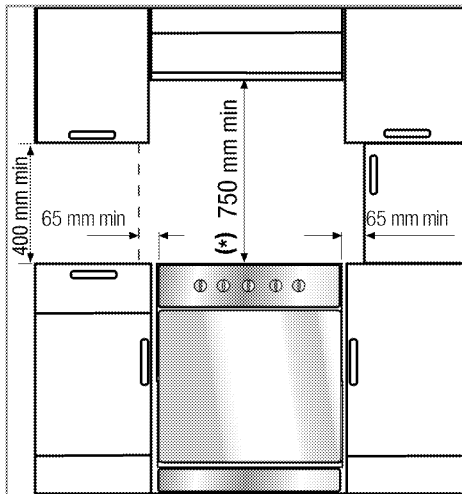
#### DANGER:

Avant l'installation, regardez si l'appareil présente des défauts. Si tel est le cas, ne le faites pas installer. Les appareils endommagés présentent des risques pour votre sécurité.

### Avant l'installation

Pour veiller à ce qu'une distance libre soit conservée sous l'appareil, nous vous recommandons de monter l'appareil sur une base solide et de veiller à ce que ses pieds ne transpercent pas le tapis, la moquette, ou tout autre revêtement de sol.

Le sol de la cuisine doit pouvoir supporter le poids de l'appareil plus le poids des instruments de cuisine et de la nourriture.



- Vous pouvez l'utiliser avec des meubles de part et d'autre, mais en prévoyant une distance minimale de 400 mm au-dessus du niveau de la plaque chauffante ; prévoyez un écart de 65 mm entre l'appareil et le mur, la cloison ou le placard géant.
- Il peut aussi être utilisé en position debout, de manière autonome. Laissez une distance minimum de 750 mm au-dessus de la surface de la table de cuisson.
- S'il faut encaster une hotte au-dessus de la cuisinière, reportez-vous aux consignes du fabricant de la hotte concernant la hauteur d'installation (Min 650 mm)..
- L'appareil correspond à un appareil de classe 1. En d'autres termes, il peut être placé avec le côté arrière et un côté contre les murs de la cuisine, des meubles ou des équipements de toute taille. Les meubles ou les équipements de cuisine situés sur l'autre côté doivent être de taille inférieure ou égale.
- Tout meuble de cuisine situé à côté de l'appareil doit résister à la chaleur (100 °C min.).

### Ventilation de la pièce

Toutes les pièces nécessitent une fenêtre ouvrable, ou équivalent, et certaines pièces néces-

siteront également un orifice d'aération permanent.

L'air de combustion est prélevé dans l'air de la pièce. Les gaz émis sont directement rejetés dans la pièce.

Une bonne ventilation est essentielle au fonctionnement en toute sécurité de votre appareil. S'il n'y a pas de porte ou de fenêtre pour la ventilation de la pièce, une ventilation d'appoint doit être installée.

Vous pouvez installer votre appareil à la cuisine, dans la salle à manger ou dans la chambre-salon, mais jamais dans une salle de douches ou de bains. La cuisinière ne doit pas être installée dans une chambre-salon de moins de 20 m<sup>3</sup>. Évitez d'installer cet appareil dans une pièce en dessous du niveau du sol à moins que cette pièce soit ouverte au niveau du sol sur l'un des côtés au moins.

Taille de la pièce	Ouverture de ventilation
inférieure à 5 m <sup>3</sup>	min. 100 cm <sup>2</sup>
5 m <sup>3</sup> à 10 m <sup>3</sup>	min. 50 cm <sup>2</sup>
supérieure à 10 m <sup>3</sup> ,den	facultatif
Dans une cave ou sous-sol	min. 65 cm <sup>2</sup>

## Installation et branchement

L'appareil doit être installé et raccordé conformément aux réglementations d'installation en vigueur.



N'installez pas l'appareil à proximité de réfrigérateurs ou congélateurs. La chaleur émise par l'appareil augmenterait la consommation d'énergie des dispositifs de refroidissement.

- Transportez l'appareil avec au moins deux personnes.
- L'unité doit être placée directement au sol. Elle ne doit pas être placée sur une base ou un socle.



N'utilisez pas la porte et/ou la poignée pour porter ou déplacer l'appareil. Cela endommage la porte, la poignée et les charnières.

## Raccordement électrique

Branchez l'appareil à une ligne de terre protégée par un fusible de capacité suffisante tel qu'indiqué dans le tableau "Caractéristiques techniques". Faites installer la mise à la terre par un électricien qualifié lorsque vous utilisez l'appareil avec ou sans transformateur. Notre société ne sera pas tenue pour responsable des dégâts qui surviendraient de l'utilisation de l'appareil sans une installation de mise à la terre conforme aux réglementations locales en vigueur.



### DANGER:

L'appareil doit uniquement être raccordé à l'alimentation électrique par une personne autorisée et qualifiée. La période de garantie de l'appareil démarre uniquement après son installation correcte.

Le fabricant se sera pas tenu pour responsable des dégâts consécutifs à des procédures réalisées par des personnes non autorisées.



### DANGER:

Le câble d'alimentation ne doit pas être serré, plié ou pincé ou entrer en contact avec des pièces chaudes de l'appareil.

Un câble d'alimentation endommagé doit être remplacé par un électricien qualifié. Dans le cas contraire, il présente un risque d'électrocution, de court-circuit ou d'incendie !

Les valeurs de l'alimentation électrique doivent correspondre aux valeurs figurant sur la plaque signalétique de l'appareil. La plaque signalétique est visible lorsque la porte ou le couvercle inférieur sont ouverts, ou elle est située sur la paroi arrière de l'appareil, en fonction du type de l'appareil.

Le câble d'alimentation de l'appareil doit être conforme aux valeurs du tableau "Caractéristiques techniques".



La prise du câble d'alimentation doit être facile d'accès après l'installation (ne le faites pas passer au-dessus de la table de cuisson).

**DANGER:**

Avant d'effectuer tout travail sur l'installation électrique, l'appareil doit être débranché du réseau d'alimentation électrique.

Vous risqueriez un choc électrique !

Branchez le câble d'alimentation dans la prise.

**Raccordement au gaz****DANGER:**

L'appareil doit être connecté au système d'alimentation en gaz uniquement par un technicien autorisé et qualifié. Risque d'explosion et d'intoxication causé par des réparations effectuées par des personnes non professionnelles !

Le fabricant se sera pas tenu pour responsable des dégâts consécutifs à des procédures réalisées par des personnes non autorisées.

**DANGER:**

Avant d'effectuer tout travail sur l'installation de gaz, l'appareil doit être débranché du réseau de distribution du gaz.

Vous risqueriez une explosion !

- Les conditions et valeurs de réglages du gaz sont indiquées sur les plaques signalétiques (ou plaques type ion)
- Consultez les informations détaillées sur le raccordement et la conversion au gaz dans le manuel d'utilisateur fourni avec votre produit.

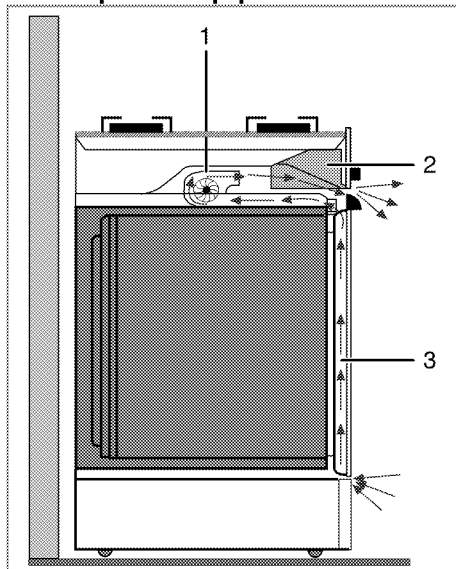
**DANGER:**

Le tuyau de gaz ne doit pas être serré, plié ou pincé ou entrer en contact avec des pièces chaudes de l'appareil.

Un tuyau de gaz endommagé vous expose à un risque d'explosion.

- Poussez le produit vers le mur de la cuisine.
- **Réglages des pieds du four**  
Les vibrations pendant l'usage peuvent faire bouger les plats de cuisson. Cette situation dangereuse peut être évitée si le produit est équilibré et stable.

Pour votre sécurité; veuillez vérifiez que le produit est stable en réglant les quatre pieds en bas en les tournant vers la gauche et la droite et en les alignant vers le haut.

**Pour les produits équipés d'un ventilateur**

- 1 Ventilateur
- 2 Bandeau de commande
- 3 Porte

Le ventilateur refroidit à la fois le bandeau de commande et la façade de l'appareil.



Le ventilateur continue de fonctionner pendant 20 à 30 minutes même après l'extinction du four.

**Vérification finale**

1. Vérifiez les fonctions électriques.
2. Ouvrez le robinet de gaz.
3. Vérifiez les raccords de l'installation de gaz.
4. Allumez les brûleurs et vérifiez l'aspect de la flamme.



La flamme doit être bleue et avoir une forme régulière. Si elle est jaunâtre, assurez-vous que le bouchon du brûleur est solidement installé et nettoyez le brûleur.

## Conversion du gaz



### DANGER:

Avant d'effectuer tout travail sur l'installation de gaz, l'appareil doit être débranché du réseau de distribution du gaz.

Vous risqueriez une explosion !

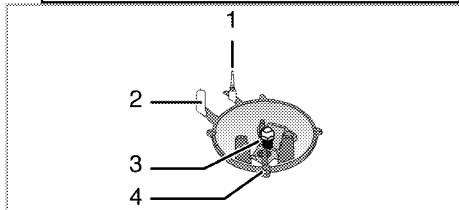
Pour changer le type de gaz de votre appareil, changez tous les injecteurs et réglez les flammes de toutes les valves à la position de débit réduit.

### Changement de l'injecteur des brûleurs.

1. Retirez le couvercle de brûleur et le corps du brûleur.
2. Dévissez les injecteurs en tournant dans le sens contraire des aiguilles d'une montre.
3. Fixez les nouveaux injecteurs.
4. Vérifiez le branchement de tous les raccords.



La position des nouveaux injecteurs est marquée sur leurs emballage ou le tableau de l'injecteur. *Tableau des injecteurs, page 12* peut être consulté.



- 1 Dispositif de sécurité à l'allumage (modèle dépendant)
- 2 Electrode
- 3 Injecteur
- 4 Brûleur



Sauf en cas de condition anormale, ne tentez pas de retirer les robinets des brûleurs de gaz. Vous devez contacter le service agréé s'il est nécessaire de changer les robinets.

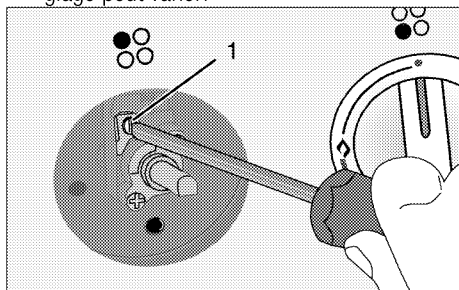
### Réglage de débit de gaz réduit pour les robinets de la plaque de cuisson

1. Allumez le brûleur à régler et positionnez la manette sur la position inférieure.
2. Enlevez le bouton du robinet de gaz.

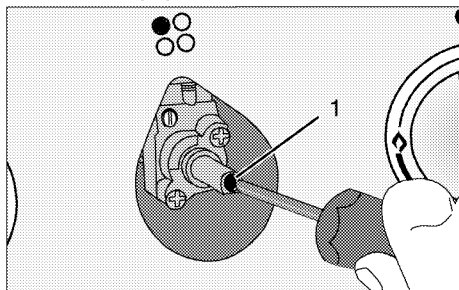
3. Utilisez un tournevis conventionnel pour ajuster la vis de réglage du débit.  
Pour le LPG (Butane - Propane), tournez le tournevis dans le sens contraire des aiguilles d'une montre. Pour l'alimentation en gaz naturel, tournez une fois la vis **dans le sens inverse des aiguilles d'une montre**.

» La hauteur normale d'une flamme régulière en débit réduit doit être de 6-7 mm.

4. Si la flamme est plus grande que la longueur souhaitée, tournez la vis dans le sens des aiguilles d'une montre. Si elle est plus petite, tournez dans le sens contraire des aiguilles d'une montre.
5. Pour le dernier contrôle, placez le brûleur sur les positions flamme haute et flamme réduite et vérifiez si la flamme est allumée ou éteinte.
6. En fonction du type de robinet de gaz utilisé sur votre appareil, la position de la vis de réglage peut varier.



1 Vis de réglage du débit



1 Vis de réglage du débit



Si le type de gaz de l'appareil est modifié, alors la plaque signalétique indiquant le type de gaz utilisé par l'appareil doit également être modifiée.

### Déplacement ultérieur

- Conservez le carton d'origine de l'appareil et utilisez-le pour déplacer le produit. Suivez les instructions figurant sur le carton. Si vous n'avez plus le carton original, emballez l'appareil dans du film à bulles ou du carton épais avec du ruban adhésif pour maintenir le tout.
- Afin d'éviter que la grille et la plaque situés à l'intérieur du four n'endommagent la porte, placez une bande de carton sur la contre-

porte à hauteur des plaques. Attachez la porte du four aux parois latérales à l'aide de ruban adhésif.

- Attachez les couvercles et grilles de support avec du ruban adhésif.
- N'utilisez pas la porte ou la poignée pour soulever ou déplacer l'appareil.



Ne placez aucun objet sur l'appareil et déplacez-le bien à plat.



Inspectez l'aspect général de l'appareil pour déceler les dégâts potentiellement dus au transport.

## 4 Préparations

### Conseils pour faire des économies d'énergie

Les conseils suivants vous permettront d'utiliser votre appareil de façon écologique et d'économiser ainsi de l'énergie :

- Utilisez des ustensiles de cuisine de couleur obscure et recouverts d'émail car la transmission de chaleur sera améliorée.
- Lorsque vous cuisinez, lancez un préchauffage si cela est conseillé dans le manuel d'utilisation ou la description de la recette.
- N'ouvrez pas la porte du four trop souvent pendant la cuisson.
- Essayez de faire cuire plusieurs plats simultanément dans le four lorsque vous le pouvez. Vous pouvez placer deux plats de cuisson sur le châssis métallique.
- Faites cuire plusieurs plats successivement. Le four sera déjà à température.
- Vous pouvez économiser de l'énergie en éteignant votre four quelques minutes avant la fin du temps de cuisson. N'ouvrez pas la porte du four.
- Décongelez les plats surgelés avant de les cuire.
- Utilisez des récipients munis de couvercles. Sans couvercle, la consommation d'énergie peut être 4 fois plus importante.
- Sélectionnez le brûleur le mieux adapté à la taille du bas de la casserole utilisée. Sélectionnez toujours la casserole à la taille la plus appropriée pour vos plats. Les grandes casseroles nécessitent davantage d'énergie.

### Première utilisation

#### Réglage du temps initial

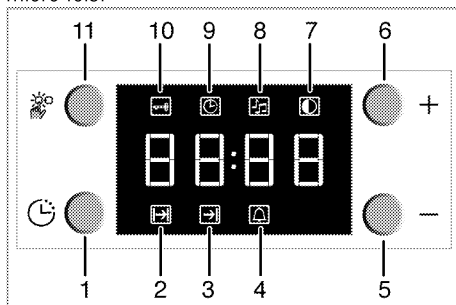


Avant d'utiliser le four, il vous faut régler l'heure. Si le minuteur n'est pas réglé, le four ne fonctionnera pas.



Les symboles correspondants clignoteront sur l'horloge pendant la réalisation des réglages.

Appuyez les touches '-' et '+' (5/6) pour régler l'heure après avoir branché le four pour la première fois.



- 1 Touche programme
- 2 Temps de cuisson
- 3 Fin de la durée de cuisson
- 4 Symbole de l'alarme
- 5 Touche moins
- 6 Touche plus
- 7 Réglage de la luminosité de l'écran
- 8 Volume de l'alarme
- 9 Heure actuelle
- 10 Verrouillage des touches
- 11 Touche de réglage

Après avoir réglé l'heure, vous pouvez débuter et arrêter la cuisson en sélectionnant la position désirée à l'aide du bouton de température et du bouton des fonctions.



Si l'heure n'a pas été réglée, le paramètre de l'heure commencera à augmenter/se déplacer à partir de **12:00**. L'icône de l'horloge '9' s'affichera pour indiquer que l'heure n'a pas été réglée. Cette icône disparaît lorsque l'heure est réglée.



Le réglage de l'heure actuelle est annulé en cas de coupure de courant. Il vous faudra réaliser le réglage de nouveau.

Pour changer l'heure que vous aviez réglée auparavant :

1. Appuyez sur la touche (11) pour activer le symbole de l'heure '9'.



2. Appuyez sur les touches '-' et '+' (5/6) pour régler l'heure.

### Modifier la luminosité de l'écran

1. Appuyez sur la touche (11) pour activer le symbole de la luminosité de l'écran '7' pour régler la luminosité de l'écran.
  2. Appuyez sur les touches '-' ou '+' (5/6) pour régler la luminosité désirée.
- » Le niveau de luminosité sélectionné s'affichera sous le format **d-01**, **d-02** ou **d-03** à l'écran.

### Premier nettoyage de l'appareil



La surface pourrait être endommagée par certains détergents ou produits de nettoyage.

N'utilisez pas de détergents agressifs, de poudre/crèmes de nettoyage ou d'objets tranchants pour le nettoyage.

1. Retirez tous les matériaux d'emballage.
2. Essuyez les surfaces de l'appareil à l'aide d'un chiffon humide ou d'une éponge et terminez avec un chiffon.

### Première cuisson

Faites chauffer l'appareil pendant 30 minutes puis éteignez-le. De cette manière, tous les résidus de production ou les couches de conservation seront brûlés et supprimés.



#### AVERTISSEMENT

Les surfaces chaudes peuvent provoquer des brûlures !

L'appareil peut être très chaud pendant son utilisation. Ne touchez jamais les brûleurs, sections internes du four, résistances, etc. lorsqu'ils sont chauds. Tenez les enfants à l'écart.

Utilisez toujours des gants de protection thermique lorsque vous placez dans ou retirez des plats du four chaud.

### Four électrique

1. Sortez toutes les plaques de cuisson et la grille métallique du four.
2. Fermez la porte du four.
3. Sélectionnez la position "Traditionnel".
4. Sélectionnez l'intensité la plus forte pour le grill ; voir *Utilisation du four électrique*, page 22.
5. Faites fonctionner le four environ 30 minutes.
6. Eteignez votre four ; voir *Utilisation du four électrique*, page 22

### Four à grill

1. Sortez toutes les plaques de cuisson et la grille métallique du four.
2. Fermez la porte du four.
3. Sélectionnez l'intensité la plus forte pour le grill ; voir *Utilisation du grill*, page 28.
4. Faites fonctionner le four environ 30 minutes.
5. Eteignez votre grill ; voir *Utilisation du grill*, page 28



Une odeur et de la fumée peuvent se dégager pendant quelques heures au cours de la première utilisation. Ce phénomène est tout à fait normal. Assurez-vous que la pièce est bien aérée pour évacuer l'odeur et la fumée. Évitez d'avaler la fumée et l'odeur qui se dégagent.

## 5 Utilisation de la table de cuisson

### Généralités concernant la cuisson



Ne remplissez jamais la poêle à plus d'un tiers. Ne laissez pas la table de cuisson sans surveillance lorsque vous chauffez de l'huile. Une huile surchauffée expose au risque d'incendie. **Ne tentez jamais d'éteindre un éventuel incendie avec de l'eau !** Lorsque l'huile s'enflamme, couvrez-la avec une couverture pare-flammes ou un chiffon humide. Éteignez la table de cuisson si cela ne pose aucun risque et appelez les sapeurs-pompiers.

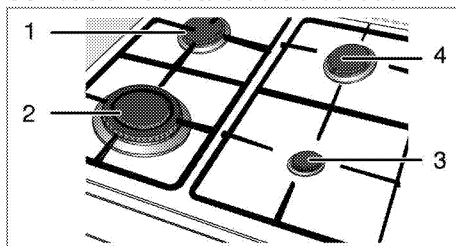
- Avant de faire frire des aliments, séchez-les toujours avant de les tremper dans l'huile chaude. Assurez-vous que les aliments surgelés soient bien décongelés avant de les faire frire.
- Ne couvrez pas le récipient lorsque vous faites chauffer de l'huile.
- Disposez les poêles et casseroles de manière à ce que leur poignée ne se trouve pas au-dessus de la table de cuisson afin d'éviter de faire chauffer les poignées. Ne placez pas de récipients instables et pouvant se renverser facilement sur la table de cuisson.
- Ne placez pas de récipients et de casseroles vides sur les foyers qui sont allumés. Ils pourraient être endommagés.
- Faire chauffer un foyer en l'absence d'un récipient ou d'une casserole peut entraîner des dommages pour l'appareil. Arrêtez les foyers de cuisson une fois la cuisson terminée.
- La surface de l'appareil peut être brûlante, évitez donc de poser des récipients en plastique ou en aluminium dessus. Évitez également d'utiliser ce type de récipients pour y conserver de la nourriture.
- N'utilisez que des casseroles à fond plat.
- Placez la quantité de nourriture appropriée dans les casseroles utilisées. Ainsi, vous

n'aurez pas à effectuer un nettoyage superflu en évitant que vos plats ne débordent. Ne posez pas les couvercles de vos poêles et casseroles sur les foyers de cuisson. Placez les casseroles de manière à ce qu'elles soient centrées sur le foyer de cuisson. Lorsque vous voulez déplacer la casserole sur un autre foyer de cuisson, soulevez-la et placez-la sur le foyer de cuisson soulevé au lieu de la faire glisser.

### Cuisson au gaz

- La taille du récipient et celle de la flamme doivent correspondre. Réglez les flammes du gaz afin qu'elles ne dépassent pas du fond du récipient et centrez ce dernier sur la grille.

### Utilisation des tables de cuisson



- 1 Brûleur normal 20–22 cm
- 2 Brûleur à wok 22–24 cm
- 3 Brûleur auxiliaire 12-18 cm
- 4 Brûleur normal 20-22 cm est une liste des diamètres de récipients recommandés à utiliser sur les brûleurs correspondants.

Le symbole représentant une grande flamme indique la puissance de cuisson la plus élevée et le symbole représentant une petite flamme indique la puissance de cuisson la moins élevée. En position OFF (indicateur vers le haut), les brûleurs ne sont pas alimentés en gaz.

### Allumage des brûleurs à gaz

1. Maintenez le bouton du brûleur approprié enfoncé.
2. Tournez-le dans le sens anti-horaire vers le symbole représentant la grande flamme.

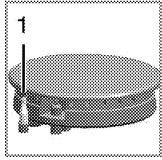
» Le gaz s'allume grâce à l'étincelle ainsi générée.

3. Réglez la puissance de cuisson souhaitée.

### **Arrêt des brûleurs à gaz.**

Tournez le bouton de la zone garde-au-chaud sur la position OFF (indicateur vers le haut).

### **Système de coupure de sécurité du gaz (sur les modèles dotés d'un composant thermique)**



1. Sécurité de coupure du gaz

Un mécanisme de sécurité fait office de contre-mesure et se déclenche pour couper l'arrivée de gaz en cas de débordement de liquide sur les brûleurs.

- Appuyez sur le bouton et tournez-le dans le sens anti-horaire pour allumer le gaz.
- Maintenez ensuite le bouton enfoncé pendant 3 à 5 secondes supplémentaires pour activer le système de sécurité.
- Si le gaz ne s'allume pas après avoir appuyé et relâché le bouton, répétez l'opération en maintenant le bouton enfoncé pendant une quinzaine de secondes.



### **DANGER:**

Relâchez le bouton si le brûleur à gaz ne s'allume pas après 15 secondes. Patientez au moins 1 minute avant de réessayer. Vous risqueriez une accumulation de gaz et une explosion !

### **Brûleur à wok**



Les brûleurs à wok vous permettent de cuire vos aliments plus rapidement. Le wok s'apparente à une poêle à frire profonde et plate en métal. Il est surtout utilisé dans la cuisine asiatique pour cuire des légumes et de la viande émincés à feu vif en très peu de temps.

Dans ce type de poêle à frire qui conduit la chaleur rapidement et de manière uniforme, les plats sont cuits à feu vif en très peu de temps, la valeur nutritionnelle des aliments est ainsi préservée et les légumes restent croquants. Vous pouvez également utiliser le brûleur à wok pour vos casseroles normales.

## 6 Utilisation du four

### Informations générales concernant la pâtisserie, la rôtisserie et les grillades



#### AVERTISSEMENT

Les surfaces chaudes peuvent provoquer des brûlures !

L'appareil peut être très chaud pendant son utilisation. Ne touchez jamais les brûleurs, sections internes du four, résistances, etc. lorsqu'ils sont chauds. Tenez les enfants à l'écart.

Utilisez toujours des gants de protection thermique lorsque vous placez dans ou retirez des plats du four chaud.



#### DANGER:

Faites attention lors de l'ouverture du four car de la vapeur peut s'en échapper.

La vapeur peut provoquer des brûlures sur vos mains, votre visage et/ou vos yeux.

### Conseils pour la pâtisserie

- Utilisez des plats en métal anti-adhérent adaptés ou des ustensiles en aluminium ou des moules en silicone résistant à la chaleur.
- Utilisez l'espace de la plaque au mieux.
- Placez le moule de cuisson au milieu.
- Sélectionnez l'emplacement adapté avant d'allumer le four ou le grill. Ne changez pas d'emplacement lorsque le four est chaud.
- Gardez la porte du four fermée.

### Conseils pour rôtir

- Assaisonner les poulets entiers, dindes et gros morceaux de viande avec du jus de citron et du poivre noir avant la cuisson augmentera la performance de cuisson.
- La viande rôtie met 15 à 30 minutes de plus à cuire avec des os par rapport à un rôti équivalent sans os.
- Chaque centimètre d'épaisseur de viande requiert environ 4 à 5 minutes de temps de cuisson.
- Laissez la viande reposer dans le four pendant environ 10 minutes après le temps de

cuisson. Le jus se répartira sur l'ensemble de la viande et ne coulera pas à sa découpe.

- Le poisson doit être placé au milieu du four ou plus bas dans un plat résistant au feu.

### Conseils pour les grillades

Lorsque la viande, poissons et volailles sont grillés, ils brunissent rapidement, deviennent croustillants et ne sèchent pas. Les morceaux minces, les brochettes de viandes et les saucisses mais également les légumes à forte teneur en liquide (par exemple les tomates et les oignons, sont particulièrement adaptés à cette cuisson.

- Répartissez les morceaux à griller sur la grille métallique ou la plaque de cuisson avec la grille métallique de manière à ce que l'espace couvert ne dépasse pas la taille de la résistance.
- Glissez la grille ou la plaque de cuisson avec la grille dans le four au niveau souhaité. Si vous faites des grillades sur la grille, glissez la plaque de cuisson sur le châssis pour recueillir les graisses. Ajoutez un peu d'eau dans la plaque de cuisson pour faciliter le nettoyage.



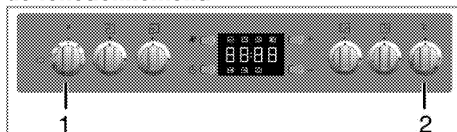
Les aliments non adaptés pour le grill exposent à des risques d'incendie. N'utilisez que des aliments à griller adaptés à une chaleur de grill intense. Ne placez pas la nourriture trop au fond du grill. Il s'agit de la zone la plus chaude et les aliments gras pourraient prendre feu.

### Utilisation du four électrique



Avant d'utiliser le four, il vous faut régler l'heure. Si le minuteur n'est pas réglé, le four ne fonctionnera pas.

### Sélection d'une température et d'un mode de fonctionnement.



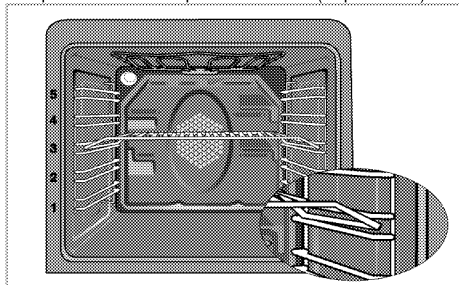
- 1 Molette de sélection des fonctions
- 2 Molette de réglage du thermostat

1. Réglez la manette Température sur la température souhaitée.
2. Réglez la manette des fonctions sur la température souhaitée.

» Le four chauffe à la température réglée et garde cette température. Pendant le chauffage, l'ampoule de la température reste allumée.

### Arrêt du four électrique

Tournez la manette des fonctions et celle de la température sur la position arrêt (supérieure).



### Positions des châssis (pour modèle avec grill)

Il est important de placer la grille correctement sur le châssis. La grille doit être insérée entre les châssis métalliques comme sur l'illustration.

Ne laissez pas la plaque du grill appuyée sur le mur arrière du four. Faites coulisser la grille vers l'avant du châssis et placez-la à l'aide de la contre-porte afin d'obtenir les meilleures performances du grill.

### Modes de fonctionnement

L'ordre des modes de fonctionnement présenté peut varier sur votre appareil.

#### Chauffage supérieur et inférieur



Le chauffage supérieur et inférieur fonctionne. Les aliments sont cuits simultanément par le dessus et le dessous. Par exemple, il est adapté pour des gâteaux, des pâtisseries ou des gâteaux et des ragoûts dans des moules. Cuisson avec une seule plaque.

#### Sole



Seule la sole fonctionne. Adapté par ex. pour des pizza et pour dorer le dessous des plats.

### Élément chauffant supérieur/inférieur avec ventilateur



Les éléments supérieur et inférieur et le ventilateur (dans la paroi arrière) sont en marche. De l'air chaud est rapidement envoyé également dans le four au moyen du ventilateur. Cuisson avec une seule plaque.

### Fonctionnement avec ventilateur



Le four n'est pas chauffé. Seul le ventilateur (dans la paroi arrière) est en marche. Adapté pour décongeler les aliments granulaires surgelés lentement à température ambiante et refroidir les aliments cuisinés.

### Chaleur tournante



L'air chaud généré par la résistance arrière est réparti rapidement et de façon uniforme dans le four à l'aide du ventilateur. Cela permet de cuire des plats sur différents châssis et le préchauffage n'est pas nécessaire dans la plupart des cas. Adapté pour la cuisson avec des plaques multiples.

### Fonction "3D"



Les éléments supérieur et inférieur et le ventilateur (dans la paroi arrière) sont en marche. La nourriture est cuite également sur tous les côtés et rapidement. Cuisson avec une seule plaque.

### Grill fort



Le grand grill sur le haut du four fonctionne. Adapté pour les griller de grandes quantités de viande.

- Placez des portions de grande ou moyenne taille correctement sous la résistance de grill pour les grilles.
- Réglez la température sur le niveau maximum.
- Retournez la nourriture à mi-cuisson.

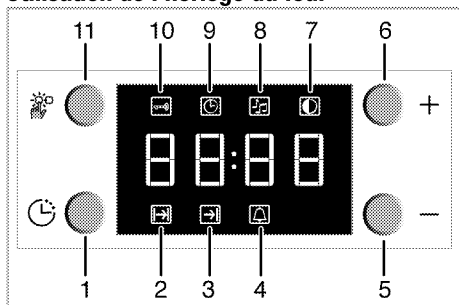
## Grill pulsé



L'effet grill n'est pas aussi fort que sur Grill fort

- Placez des portions de petite ou moyenne taille correctement sous l'élément de grill pour les grillades.
- Réglez la température désirée.
- Retournez la nourriture à mi-cuisson.

## Utilisation de l'horloge du four



- 1 Touche programme
- 2 Temps de cuisson
- 3 Fin de la durée de cuisson
- 4 Symbole de l'alarme
- 5 Touche moins
- 6 Touche plus
- 7 Réglage de la luminosité de l'écran
- 8 Volume de l'alarme
- 9 Heure actuelle
- 10 Verrouillage des touches
- 11 Touche de réglage



Le temps limite réglable pour la fin de la cuisson est de 5 heures et 59 minutes. Le programme est annulé en cas de coupure de courant. Vous devez reprogrammer le four.



Les symboles correspondants clignoteront sur l'écran pendant la réalisation des réglages. Vous devez attendre un court instant pour que les réglages prennent effet.



Si le mode semi-automatique ou entièrement automatique est activé, vous ne pouvez pas régler l'heure.



L'heure de cuisson s'affiche au début de la cuisson.

## Passage en fonctionnement semi-automatique

Dans ce mode de fonctionnement, vous pouvez régler la durée pendant laquelle le four fonctionne (temps de cuisson).

1. Pour régler le temps de cuisson, appuyez sur la touche Programme (1) et activez le symbole de temps de cuisson (2).
2. Appuyez - sur les touches (5) et + (6) pour régler l'heure de fin de cuisson.

» Le symbole de la durée de cuisson reste allumé (en continu= après le réglage de la durée de la cuisson).

3. Placez votre plat dans le four.
4. Sélectionnez une température et un mode de fonctionnement.

» Le four chauffera jusqu'à la température définie et il maintiendra cette température jusqu'à la fin de la durée de cuisson sélectionnée.

5. Après la fin du processus de cuisson, "End" (Fin) apparaît à l'écran et l'alarme sonne.
6. Le signal de l'alarme se fera entendre pendant 2 minutes. Vous pouvez appuyer sur n'importe quelle touche pour arrêter l'alarme.

L'alarme s'éteint et l'heure actuelle s'affiche à l'écran.



Si vous coupez le son de l'alarme en appuyant sur une touche, le four recommencera à fonctionner.

Si vous appuyez sur un bouton à la fin de la période d'alarme, le four recommencera à fonctionner.

7. Eteignez le four à l'aide du bouton de réglage des températures et/ou de la manette des fonctions.

## Activer le mode de fonctionnement semi-automatique

Dans ce mode de fonctionnement, vous pouvez régler la durée pendant laquelle le four fonctionne automatiquement (temps de cuisson) ainsi que l'heure d'arrêt automatique (heure de fin de cuisson).

1. Pour régler le temps de cuisson, appuyez sur la touche Programme (1) et activez le symbole de temps de cuisson (2).

2. Réglez la durée de cuisson avec les touches Moins (5) et Plus (6).

» Le symbole de la durée de cuisson reste allumé (en continu= après le réglage de la durée de la cuisson.

3. Pour régler la fin de la durée de cuisson, appuyez sur la touche Programme (1) et activez le symbole de la durée de cuisson (3).

4. Appuyez -sur les touches (5) et + (6) pour régler l'heure de fin de cuisson.

» Lorsque l'heure de fin de cuisson est définie, le symbole de fin de cuisson et le symbole de cuisson restent allumés (en continu). Le symbole de l'heure de fin de cuisson (3) disparaît dès que la cuisson débute.

5. Placez votre plat dans le four.

6. Sélectionnez une température et un mode de fonctionnement.

» Le minuteur de four calcule automatiquement l'heure de début de cuisson en utilisant l'heure de fin de cuisson et la durée de cuisson que vous avez déterminées. Le mode de fonctionnement sélectionné est activé lorsque l'heure de début de cuisson est arrivée et le four chauffe à la température sélectionnée. Il maintient cette température jusqu'à la fin de la durée de cuisson.

7. Après la fin du processus de cuisson, **"End"** (Fin) apparaît à l'écran et l'alarme sonne.

8. Le signal de l'alarme se fera entendre pendant 2 minutes. Vous pouvez appuyer sur n'importe quelle touche pour arrêter l'alarme. L'alarme s'éteint et l'heure actuelle s'affiche à l'écran.



Si vous coupez le son de l'alarme en appuyant sur une touche, le four recommencera à fonctionner.

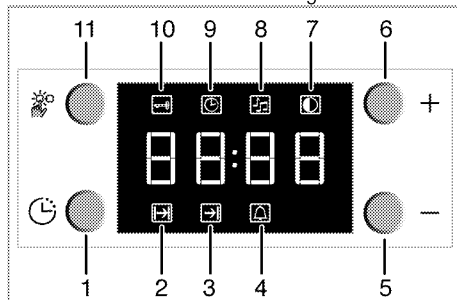
Si vous appuyez sur un bouton à la fin de la période d'alarme, le four recommencera à fonctionner.

9. Eteignez le four à l'aide du bouton de réglage des températures et/ou de la manette des fonctions.

## Utilisation du verrouillage des touches

### Activation du verrouillage des touches

Vous pouvez empêcher l'utilisation du four en activant la fonction de verrouillage des touches.



- 1 Touche programme
- 2 Temps de cuisson
- 3 Fin de la durée de cuisson
- 4 Symbole de l'alarme
- 5 Touche moins
- 6 Touche plus
- 7 Réglage de la luminosité de l'écran
- 8 Volume de l'alarme
- 9 Heure actuelle
- 10 Verrouillage des touches
- 11 Touche de réglage

1. Appuyez sur les touches (11) pour activer le symbole Verrouillage des touches (10).

» **"OFF"** (Arrêt) apparaît à l'écran.

2. Appuyez sur la touche '+' (6) pour activer le verrouillage des touches.

» Une fois le verrouillage des touches activé, **'Marche'** s'affiche à l'écran et le symbole Verrouillage des touches (10) reste allumé.



Une fois que le verrouillage des touches est activé, tous les boutons sont désactivés, à l'exception de la touche (11).

### Désactivation du verrouillage des touches

1. Appuyez sur la touche de réglage (11) pour activer le symbole Verrouillage des touches (10).

» **"Marche"** apparaît à l'écran.

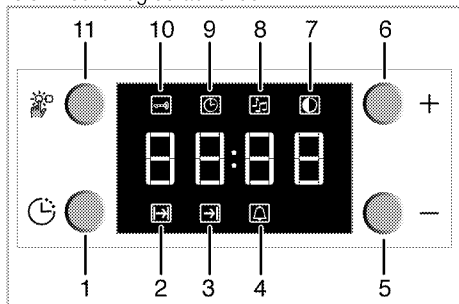
2. Appuyez sur la touche '-' (5) pour désactiver le verrouillage des touches.

» **"ARRET"** s'affiche après la désactivation du verrouillage des touches.

## Utilisation de l'horloge comme alarme

Vous pouvez utiliser l'horloge de l'appareil pour tout type d'avertissement ou pense-bête en plus du programme de cuisson.

L'alarme n'a aucune influence sur les fonctions du four. Elle sert uniquement d'avertissement. Cela peut être utile, par exemple, lorsque vous voulez retourner les aliments dans le four après un certain temps. L'alarme émettra un signal une fois l'heure réglée achevée.



- 1 Touche programme
- 2 Temps de cuisson
- 3 Fin de la durée de cuisson
- 4 Symbole de l'alarme
- 5 Touche moins
- 6 Touche plus
- 7 Réglage de la luminosité de l'écran
- 8 Volume de l'alarme
- 9 Heure actuelle
- 10 Verrouillage des touches
- 11 Touche de réglage

### Définir l'alarme

1. Appuyez sur la touche Programme (1) pour activer le symbole du temps de l'alarme (4).



L'heure d'alarme maximum de cuisson est de 23 heures et 59 minutes.

2. Réglez la durée de l'alarme avec les touches '- / '+ (5/6).

» Le symbole alarme restera allumé et le temps de l'alarme s'affichera à l'écran une fois le temps de l'alarme réglé.

3. A la fin du temps de l'alarme, le symbole Heure de l'alarme (4) se met à clignoter et le signal de l'alarme retentit.

### Couper l'alarme.

1. Vous pouvez appuyer sur n'importe quelle touche pour arrêter l'alarme.

» L'alarme s'éteint et l'heure actuelle s'affiche à l'écran.

### Si vous voulez annuler l'alarme:

1. Pour réinitialiser la durée de l'alarme, appuyez sur la touche Programme (1) pour activer le symbole de l'alarme (4).
2. Appuyez sur la touche '- / '+ (5) jusqu'à ce que "00:00" s'affiche.



La durée de l'alarme s'affiche. Si la durée de l'alarme et la durée de cuisson sont activées simultanément, la durée la plus courte sera affichée.

### Changez le son de l'alarme

1. Appuyez sur la touche Réglage (11) pour activer le symbole du son de l'alarme (8).
2. Réglez le son désiré avec les touches '- / '+ (5/6).

» Le son de l'alarme sélectionné s'affichera sous le format "b-01", "b-02" ou "b-03" à l'écran.

### Tableau des temps de cuisson



Les durées indiquées dans ce tableau ne servent que d'exemple. Elles peuvent varier selon la température, l'épaisseur et le type d'aliments, ainsi que vos préférences de cuisson.

### Cuisson au four et rôtisserie



Le 1er étage du four est l'emplacement du châssis du bas.

Plat	Numéro du niveau de cuisson		Emplacement du châssis	Température (°C)	Temps de cuisson (approx. en min.)
Gâteaux sur plaque*	Un niveau	☐	4	175	30 ... 35
Gâteaux en moule*	Un niveau	☉	2	180	40 ... 50
Gâteaux dans du papier alimentaire*	Un niveau	☐	3	175	25 ... 30
	2 niveaux	☉	1 - 5	175	30 ... 40
	3 niveaux	☉	1 - 3 - 5	180	45 ... 55
Génoise*	Un niveau	☐	3	200	5 ... 10



	2 niveaux		1 - 5	175	18 ... 25
Cookies*	Un niveau		3	175	20 ... 25
	2 niveaux		1 - 5	175	25 ... 30
	3 niveaux		1 - 3 - 5	175	30 ... 40
Pâte à chou*	Un niveau		2	200	30 ... 40
	2 niveaux		1 - 5	200	45 ... 55
	3 niveaux		1 - 3 - 5	200	55 ... 65
Pâte au beurre*	Un niveau		2	200	25 ... 35
	2 niveaux		1 - 5	200	30 ... 40
	3 niveaux		1 - 3 - 5	190	40 ... 50
Levain de pâte*	Un niveau		2	200	35 ... 45
	2 niveaux		1 - 3	200	35 ... 45
Lasagnes*	Un niveau		2 - 3	200	30 ... 40
Pizza*	Un niveau		2	200 ... 220	15 ... 20
Bifteck (entier) / Rôti	Un niveau		3	25 min. 250/max. puis 180 ... 190	100 ... 120
Gigot d'agneau (casserole)	Un niveau		3	25 min. 250/max. puis 190	70 ... 90
	Un niveau		2	15 min. 250/max. puis 180 ... 190	65 ... 70
	Un niveau		2	15 min. 250/max. puis 180 ... 190	55 ... 65
Dinde (5,5 kg)	Un niveau		2	25 min. 250/max. puis 180 ... 190	150 ... 210
	Un niveau		2	25 min. 250/max. puis 180 ... 190	150 ... 210
Poisson	Un niveau		3	200	20 ... 30
	Un niveau		3	200	20 ... 30

Lors de la cuisson avec deux plaques simultanées, placez la plaque crouse sur la partie supérieure et l'autre plaque sur la partie inférieure.

\* Nous vous suggérons de procéder à un préchauffage pour tout aliment à faire cuire.

(\*\*) Pour une cuisson nécessitant un préchauffage, préchauffez au début de la cuisson jusqu'à ce que le témoin du thermostat s'éteigne.

### Conseils pour la pâtisserie

- Si le gâteau est trop sec, augmentez la température de 10°C et réduisez le temps de cuisson.
- Si le gâteau est trop humide, utilisez moins de liquide ou baissez la température de 10°C.
- Si le gâteau est trop foncé sur le dessus, placez-le au niveau inférieur, baissez la température et augmentez le temps de cuisson.
- S'il est bien cuit à l'intérieur mais collant à l'extérieur, utilisez moins de liquide, baissez la température et augmentez le temps de cuisson.

### Conseils pour la pâtisserie

- Si la pâtisserie est trop sèche, augmentez la température de 10°C et réduisez le temps de cuisson. Humectez les couches de pâte

avec une sauce composée de lait, d'huile, d'oeuf et de yaourt.

- Si la pâtisserie met trop de temps pour cuire, faites attention à ce que l'épaisseur de la pâtisserie que vous avez préparée ne dépasse pas la profondeur de la plaque.
- Si la partie supérieure de la pâtisserie dore mais que la partie inférieure n'est pas cuite, vérifiez que vous n'avez pas utilisé trop de sauce pour le bas de la pâtisserie. Essayez de répandre la sauce équitablement sur les couches de pâte et le haut de la pâtisserie afin de les dorer au même niveau.



Faites cuire la pâte conformément au mode et à la température indiqués dans le tableau de cuisson. Si la partie inférieure n'est toujours pas suffisamment dorée, la prochaine fois, placez-la à un niveau inférieur.

### Conseils pour la cuisson des légumes

- Si le plat de légumes ne contient plus de jus et devient trop sec, cuisez-les dans une casserole avec un couvercle au lieu d'une

plaque. Les récipients clos préservent le jus du plat.

- Si un plat de légumes ne cuit pas, faites bouillir les légumes au préalable ou préparez-les comme des aliments en conserve et placez-les au four.

## Utilisation du grill



Avant d'utiliser le four, il vous faut régler l'heure. Si le minuteur n'est pas réglé, le four ne fonctionnera pas.



### AVERTISSEMENT

Fermez la porte du four pendant les grillades.  
Les surfaces chaudes peuvent brûler !

## Allumage du grill

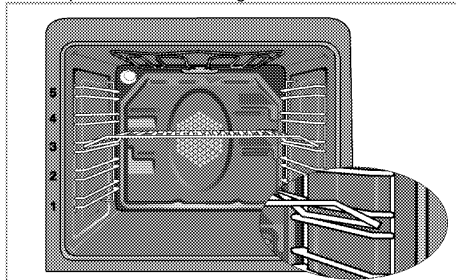
1. Tournez la manette Fonction dans le sens des aiguilles d'une montre sur le symbole du grill.
  2. Réglez ensuite la température désirée du grill.
  3. Si nécessaire, effectuez un préchauffage d'environ 5 minutes.
- » Le voyant du thermostat (température) s'allume.

## Extinction du grill

1. Tournez la manette des fonctions sur la position arrêt (haut).

## Emplacements des châssis

Les performances du grill diminuent si la grille repose contre l'arrière du châssis. Faites coulisser la grille vers l'avant du châssis et placez-la à l'aide de la contre-porte afin d'obtenir les meilleures performances du grill.



Les aliments non adaptés pour le grill exposent à des risques d'incendie. N'utilisez que des aliments à griller adaptés à une chaleur de grill intense. Ne placez pas la nourriture trop au fond du grill. Il s'agit de la zone la plus chaude et les aliments gras pourraient prendre feu.

## Tableau des temps de cuisson pour le grill

### Grillade par grill électrique

Aliments	Position de la grille	Temps de grillade (environ)
Poisson	4..5	20...25 min. #
Ailes ou cuisses de poulet	4..5	25...35 min.
Côtelettes d'agneau	4..5	20...25 min.
Rôti de bœuf	4..5	25...30 min. #
Côtelettes de veau	4..5	25...30 min. #
Pain toast	4	1...2 min.

# selon l'épaisseur

## 7 Maintenance et entretien

### Généralités

Un nettoyage régulier de l'appareil en rallongera la durée de vie et diminuera l'apparition de problèmes.



#### DANGER:

Débranchez l'appareil de la prise d'alimentation avant de commencer le nettoyage et l'entretien.  
Vous risqueriez un choc électrique !



#### DANGER:

Laissez l'appareil refroidir avant de le nettoyer.  
Les surfaces chaudes peuvent brûler !

- Nettoyez l'appareil après chaque utilisation. Il vous sera ainsi possible d'ôter plus facilement les résidus de nourriture éventuels, évitant ainsi qu'ils ne brûlent lors de l'utilisation suivante.
- Aucun produit nettoyant particulier n'est nécessaire pour nettoyer l'appareil. Utilisez de l'eau tiède avec du détergent, un chiffon doux ou une éponge pour nettoyer l'appareil et essuyez-le à l'aide d'un chiffon sec.
- Veillez toujours à bien essuyer les excès de liquide après le nettoyage et essuyez immédiatement tout déversement.
- N'utilisez pas de détergents contenant de l'acide ou du chlore pour nettoyer les surfaces en acier inoxydable et la poignée. Utilisez un chiffon doux avec un détergent liquide non abrasif pour nettoyer ces parties, en prenant soin de toujours frotter dans le même sens.
- N'utilisez pas de grattoirs métalliques ou de matériaux de nettoyage abrasifs pour nettoyer le couvercle en verre. La surface en verre pourrait être endommagée.



La surface pourrait être endommagée par certains détergents ou produits de nettoyage.

N'utilisez pas de détergents agressifs, de poudre/crèmes de nettoyage ou d'objets tranchants pour le nettoyage.



N'utilisez pas de nettoyeurs à vapeur pour le nettoyage de l'appareil, car ceux-ci présentent un risque d'électrocution.

### Nettoyage de la table de cuisson

#### Tables de cuisson à gaz

1. Retirez et nettoyez les grilles et les chapeaux de brûleurs.
2. Nettoyez la table de cuisson.
3. Installez les chapeaux de brûleurs et vérifiez qu'ils sont bien posés.
4. Lorsque vous installez la grille supérieure, veillez à bien positionner les grilles afin de centrer les brûleurs.

### Nettoyage du bandeau de commande

Nettoyez le bandeau de commande et les boutons de commande avec un chiffon humide et essuyez-les.

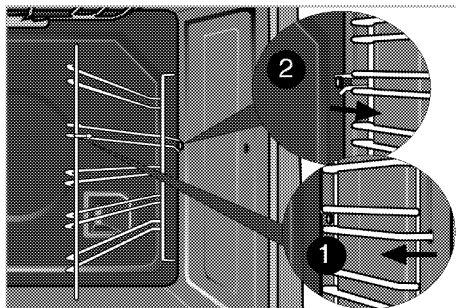


Ne retirez pas les boutons de commande pour nettoyer le bandeau de commande. Le panneau de commande pourrait être endommagé !

### Nettoyage du four

#### Pour nettoyer la paroi latérale

1. Retirez la partie avant du rail latéral en le tirant vers le côté opposé de la paroi latérale.
2. Retirez le rail latéral complètement en le tirant vers vous.



#### Nettoyage de la porte du four.

Utilisez de l'eau tiède avec du détergent, un chiffon doux ou une éponge pour nettoyer la

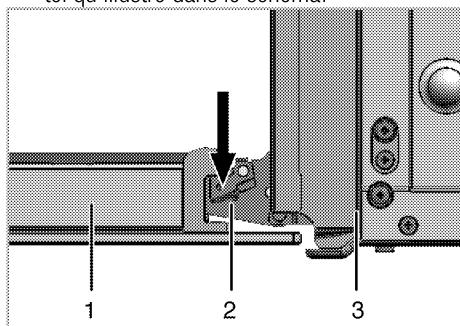
porte du four et essuyez l'appareil à l'aide d'un chiffon sec.



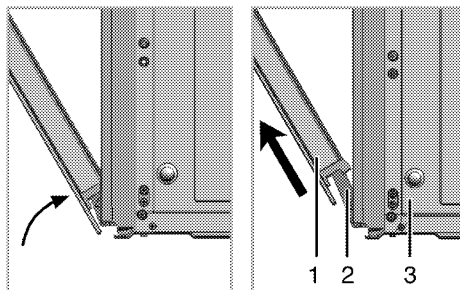
N'utilisez pas de détergents abrasifs ou de grattoirs en métal dur pour nettoyer la porte du four. Vous pourriez rayer la surface et endommager la vitre.

## Retirer la porte du four.

1. Ouvrez la porte frontale (1).
2. Ouvrez les clips sur le logement de la charnière (2) sur les côtés droit et gauche de la porte frontale en faisant pression sur les clips, tel qu'illustré dans le schéma.



- 1 Porte frontale
- 2 Charnière
- 3 Four



3. Ouvrez la porte frontale à moitié.
4. Retirez la porte frontale en la tirant vers le haut pour la libérer des charnières droite et gauche.

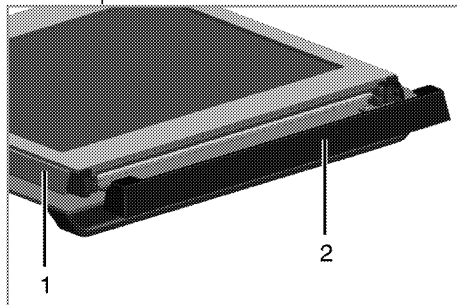


Les étapes effectuées pendant le processus de retrait doivent être suivies dans l'ordre inverse pour installer la porte. N'oubliez pas de fermer les clips du logement de la charnière lors de la réinstallation de la porte.

## Retrait de la vitre de la porte

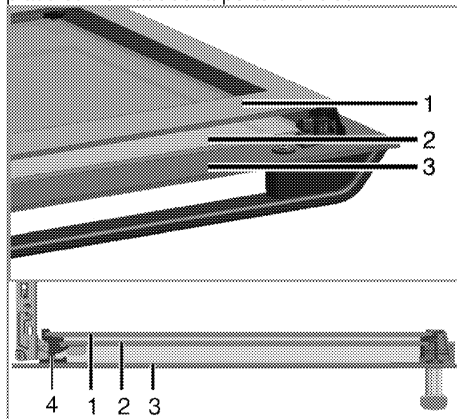
Le panneau vitré interne de la porte du four peut être retiré pour le nettoyage.

Ouvrez la porte du four.



- 1 Cadre
- 2 Pièce en plastique

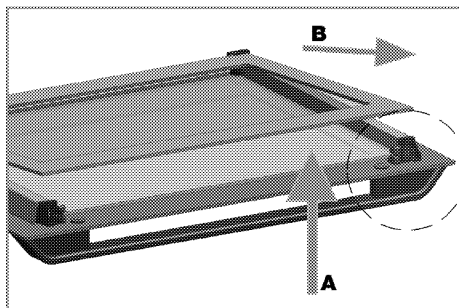
Tirez vers vous et retirez le morceau en plastique placé sur le haut de la porte d'entrée.



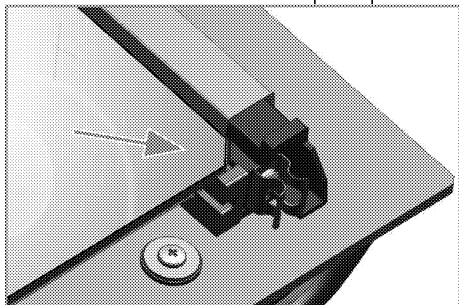
- 1 Panneau vitré du fond
- 2 Panneau vitré du fond
- 3 Panneau de verre extérieur
- 4 Encoche en plastique du panneau de vert-Bas

Comme illustré sur la figure, soulevez le panneau de verre du fond (1) légèrement dans la direction **A** et retirez-le dans la direction **B**.

Répétez cette opération pour enlever le panneau en verre intérieur (2).



La première étape pour réassembler la porte est de réinstaller le panneau de verre intérieur (2). Comme illustré sur la figure, placez le coin chanfreiné du panneau en verre pour qu'il reste sur le coin chanfreiné de l'encoche en plastique.



Le panneau de verre intérieur (2) doit être installé dans l'encoche en plastique près du panneau en verre du fond (1).

Quand vous installez le panneau en verre de derrière (1), vérifiez que le côté imprimé du panneau fait face au second panneau en verre. Il est important d'asseoir les coins inférieurs de tous les panneaux en verre intérieurs dans l'encoche en plastique inférieure.

Poussez le morceau en plastique dans le cadre jusqu'à ce que vous entendiez un "click".

## Remplacement de l'ampoule du four



### DANGER:

Avant de remplacer l'ampoule de four, vérifiez que l'appareil est débranché de l'alimentation et froid afin d'éviter tout risque de choc électrique. Les surfaces chaudes peuvent brûler !



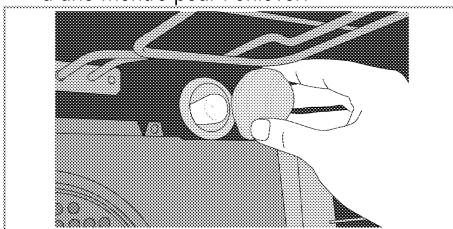
L'ampoule du four est une ampoule électrique d'éclairage spéciale pouvant résister à des chaleurs allant jusqu'à 300°C. Reportez-vous aux *Caractéristiques techniques*, page 11 pour les détails. Des ampoules de four sont disponibles auprès de votre technicien autorisé.



L'emplacement de la lampe peut varier par rapport à l'illustration.

### Si votre four est équipé d'une lampe ronde :

1. Débranchez l'appareil de l'alimentation.
2. Dévissez le cache de l'ampoule en le tournant dans le sens contraire des aiguilles d'une montre pour l'enlever.



3. Dévissez l'ampoule du four en la tournant dans le sens inverse des aiguilles d'une montre et remplacez-la par une ampoule neuve.
4. Remettez en place le cache de l'ampoule.

## 8 Recherche et résolution des pannes

### Le four émet de la vapeur lorsqu'il est en marche..

- Il est normal que de la vapeur s'échappe pendant le fonctionnement. >>> *Cela n'est pas un défaut.*

### Le four émet des bruits métalliques lors des phases de chauffage et de refroidissement.

- Lorsque les pièces métalliques sont chauffées, elles peuvent se détendre et émettre ces bruits. >>> *Cela n'est pas un défaut.*

### Le four ne fonctionne pas.

- Le fusible d'alimentation est défectueux ou grillé. >>> *Vérifiez les fusibles dans la boîte à fusibles. Remplacez ou réactivez-les le cas échéant.*
- L'appareil n'est pas relié à la prise de mise à la terre. >>> *Vérifiez le branchement de la prise.*
- Les boutons/manettes/touches sur le bandeau de commande de fonctionnent pas. >>> *Il se peut que le verrouillage des touches soit activé. Veuillez le désactiver. (Reportez-vous à Utilisation du verrouillage des touches, page 25 )*

### La lumière du four ne s'allume pas.

- L'ampoule du four est défectueuse. >>> *Remplacer l'ampoule du four.*
- L'alimentation est coupée. >>> *Vérifiez s'il y a du courant. Vérifiez les fusibles dans la boîte à fusibles. Remplacez ou réactivez-les le cas échéant.*

### Le four ne chauffe pas.

- La fonction et /ou la température ne sont pas réglées. >>> *Réglez la fonction et la température avec les touches/manettes fonction et/ou température.*
- Sur les modèles équipés d'un minuteur, le minuteur n'est pas réglé. >>> *Réglez l'heure.* (Sur les produits avec four micro-ondes, le minuteur ne contrôle que le micro-ondes.)
- L'alimentation est coupée. >>> *Vérifiez s'il y a du courant. Vérifiez les fusibles dans la boîte à fusibles. Remplacez ou réactivez-les le cas échéant.*

### Il n'y a pas d'étincelle d'allumage.

- Pas de courant. >>> *Vérifiez les fusibles dans la boîte à fusibles.*
- L'heure n'est pas réglée. >>> *Réglez l'heure.*

### Il n'y a pas de gaz.

- Le robinet de gaz principal est fermé. >>> *Ouvrez le robinet du gaz.*
- Le tuyau du gaz est plié. >>> *Installez le tuyau du gaz correctement.*

### Les brûleurs ne s'allument pas correctement ou pas du tout.

- Les brûleurs sont sales. >>> *Nettoyez les composants des brûleurs.*
- Les brûleurs sont humides. >>> *Séchez les composants des brûleurs.*
- Le couvercle du brûleur n'est pas assemblé correctement. >>> *Assemblez le couvercle du brûleur correctement.*
- Le robinet de gaz principal est fermé. >>> *Ouvrez le robinet du gaz.*
- La bonbonne de gaz est vide (en cas d'utilisation du LPG). >>> *Remplacez la bonbonne du gaz.*

### (Sur les modèles avec un minuteur) L'écran de l'horloge clignote ou le symbole de l'horloge est allumé.

- Une coupure de courant a eu lieu. >>> *Réglez l'heure / Eteignez l'appareil, puis rallumez-le.*



Consultez le technicien autorisé ou le revendeur qui vous a vendu l'appareil si vous ne parvenez pas à résoudre le problème après avoir suivi les instructions comprises dans ce chapitre. N'essayez jamais de réparer un appareil défectueux vous-même.



