

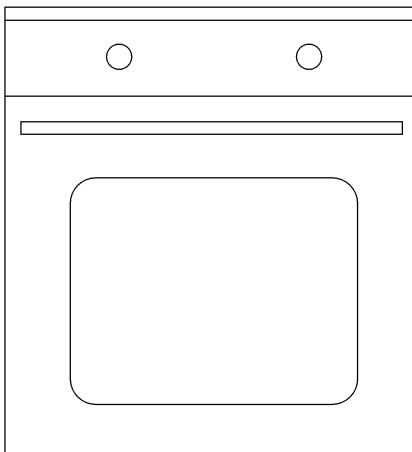
# **Built-in Oven**

User Manual

# **Einbau-Backofen**

Gebrauchsanleitung

BIR15500XPS



## Please read this user manual first!

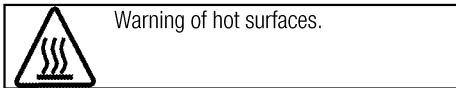
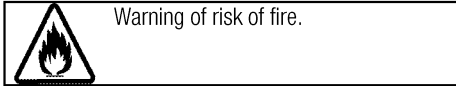
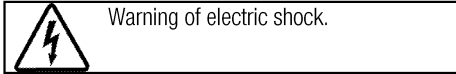
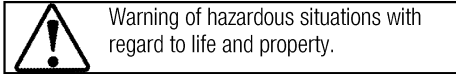
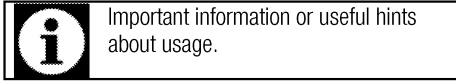
Dear Customer,

Thank you for purchasing this Beko product. We hope that you get the best results from your product which has been manufactured with high quality and state-of-the-art technology. Therefore, please read this entire user manual and all other accompanying documents carefully before using the product and keep it as a reference for future use. If you handover the product to someone else, give the user manual as well. Follow all warnings and information in the user manual.

Remember that this user manual is also applicable for several other models. Differences between models will be identified in the manual.

### Explanation of symbols

Throughout this user manual the following symbols are used:



**Arçelik A.Ş.**

Karaağaç caddesi No:2-6  
34445 Söğütözü/İstanbul/TURKEY

Made in TURKEY



This product was manufactured using the latest technology in environmentally friendly conditions.

## TABLE OF CONTENTS

### **1 Important instructions and warnings for safety and environment 4**

General safety .....	4
Electrical safety .....	4
Product safety .....	5
Intended use .....	6
Safety for children.....	7
Disposing of the old product.....	7
Package information .....	7

### **2 General information 8**

Overview .....	8
Package contents .....	9
Technical specifications .....	10

### **3 Installation 11**

Before installation .....	11
Installation and connection .....	12
Future Transportation.....	13

### **4 Preparation 14**

Tips for saving energy .....	14
Initial use .....	14
Time setting .....	14
First cleaning of the appliance .....	15
Initial heating.....	15

### **5 How to operate the oven 16**

General information on baking, roasting and grilling	16
How to operate the electric oven .....	16
Operating modes.....	19
How to operate the oven control unit .....	21
Using the keylock.....	23
Using the clock as an alarm .....	23
Cooking times table.....	24
Cooking guide functions .....	26
Settings menu.....	27
How to operate the grill.....	27
Cooking times table for grilling .....	27

### **6 Maintenance and care 28**

General information .....	28
Cleaning the control panel .....	28
Cleaning the oven .....	28
Removing the oven door .....	29
Removing the door inner glass .....	30
Replacing the oven lamp.....	31

### **7 Troubleshooting 32**

## **1 Important instructions and warnings for safety and environment**

This section contains safety instructions that will help protect from risk of personal injury or property damage. Failure to follow these instructions shall void any warranty.

### **General safety**

- This appliance can be used by children aged from 8 years and above and persons with reduced physical, sensory or mental capabilities or lack of experience and knowledge if they have been given supervision or instruction concerning use of the appliance in a safe way and understand the hazards involved.

Children shall not play with the appliance. Cleaning and user maintenance shall not be made by children without supervision.

- Installation and repair procedures must always be performed by Authorized Service Agents. The manufacturer shall not be held responsible for damages arising from procedures carried out by unauthorized persons which may also void the warranty. Before installation, read the instructions carefully.
- Do not operate the product if it is defective or has any visible damage.

- Ensure that the product function knobs are switched off after every use.

### **Electrical safety**

- If the product has a failure, it should not be operated unless it is repaired by an Authorized Service Agent. There is the risk of electric shock!
- Only connect the product to a grounded outlet/line with the voltage and protection as specified in the "Technical specifications". Have the grounding installation made by a qualified electrician while using the product with or without a transformer. Our company shall not be liable for any problems arising due to the product not being earthed in accordance with the local regulations.
- Never wash the product by spreading or pouring water onto it! There is the risk of electric shock!
- Never touch the plug with wet hands! Never unplug by pulling on the cable, always pull out by grabbing the plug.
- The product must be disconnected during installation, maintenance, cleaning and repairing procedures.

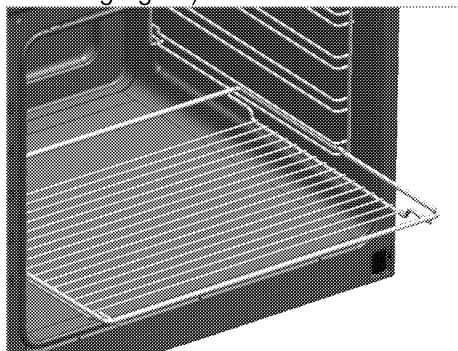
- If the power connection cable for the product is damaged, it must be replaced by the manufacturer, its service agent or similarly qualified persons in order to avoid a hazard.
- The appliance must be installed so that it can be completely disconnected from the mains supply. The separation must be provided by a switch built into the fixed electrical installation, according to construction regulations.
- Rear surface of the oven gets hot when it is in use. Make sure that the electrical connection does not contact the rear surface; otherwise, connections can get damaged.
- Do not trap the mains cable between the oven door and frame and do not route it over hot surfaces. Otherwise, cable insulation may melt and cause fire as a result of short circuit.
- Any work on electrical equipment and systems should only be carried out by authorized and qualified persons.
- In case of any damage, switch off the product and disconnect it from the mains. To do this, turn off the fuse at home.
- Make sure that fuse rating is compatible with the product.

## Product safety

- The appliance and its accessible parts become hot during use. Care should be taken to avoid touching heating elements. Children less than 8 years of age shall be kept away unless continuously supervised.
- Never use the product when your judgment or coordination is impaired by the use of alcohol and/or drugs.
- Be careful when using alcoholic drinks in your dishes. Alcohol evaporates at high temperatures and may cause fire since it can ignite when it comes into contact with hot surfaces.
- Do not place any flammable materials close to the product as the sides may become hot during use.
- During use the appliance becomes hot. Care should be taken to avoid touching heating elements inside the oven.
- Keep all ventilation slots clear of obstructions.
- Do not heat closed tins and glass jars in the oven. The pressure that would build-up in the tin/jar may cause it to burst.
- Do not place baking trays, dishes or aluminium foil directly onto the bottom of the oven. The heat

accumulation might damage the bottom of the oven.

- Do not use harsh abrasive cleaners or sharp metal scrapers to clean the oven door glass since they can scratch the surface, which may result in shattering of the glass.
- Do not use steam cleaners to clean the appliance as this may cause an electric shock.
- Placing the wire shelf and tray onto the wire racks properly  
It is important to place the wire shelf and/or tray onto the rack properly. Slide the wire shelf or tray between 2 rails and make sure that it is balanced before placing food on it (Please see the following figure).



- Do not use the product if the front door glass removed or cracked.
- Do not use the oven handle to hang towels for drying. Do not hang up towel, gloves, or similar textile products when the grill function is at open door.

- Always use heat resistant oven gloves when putting in or removing dishes into/from the hot oven.
- Ensure that the appliance is switched off before replacing the lamp to avoid the possibility of electric shock.
- Before the cleaning cycle, remove dirt from exterior surfaces and oven interior with a damp cloth. Remove all accessories inside of oven.
- Hot surfaces cause burns! Do not touch the product during self cleaning step and keep children away from it. Keep at least 30 minutes before removing the remnants.
- During pyrolytic cleaning, surfaces may become hotter than with standard use. Keep children away.

Prevention against possible fire risk!

- Ensure all electrical connections are secure and tight to prevent risk of arcing.
- Do not use damaged cables or extension cables.
- Ensure liquid or moisture is not accessible to the electrical connection point.

#### Intended use

- This product is designed for domestic use. Commercial use will void the guarantee.

- This appliance is for cooking purposes only. It must not be used for other purposes, for example room heating.
- This product should not be used for warming the plates under the grill, drying towels, dish cloths etc. by hanging them on the oven door handles. This product should also not be used for room heating purposes.
- The manufacturer shall not be liable for any damage caused by improper use or handling errors.
- The oven can be used for defrosting, baking, roasting and grilling food.

### Safety for children

- Accessible parts may become hot during use. Young children should be kept away.
- The packaging materials will be dangerous for children. Keep the packaging materials away from children. Please dispose of all parts of the packaging according to environmental standards.
- Electrical products are dangerous to children. Keep children away from the product when it is operating and do not allow them to play with the product.

- Do not place any items above the appliance that children may reach for.
- When the door is open, do not load any heavy object on it and do not allow children to sit on it. It may overturn or door hinges may get damaged.

### Disposing of the old product

#### Compliance with the WEEE Directive and Disposing of the Waste Product:



This product complies with EU WEEE Directive (2012/19/EU). This product bears a classification symbol for waste electrical and electronic equipment (WEEE).

This product has been manufactured with high quality parts and materials which can be reused and are suitable for recycling. Do not dispose of the waste product with normal domestic and other wastes at the end of its service life. Take it to the collection center for the recycling of electrical and electronic equipment. Please consult your local authorities to learn about these collection centers.

#### Compliance with RoHS Directive:

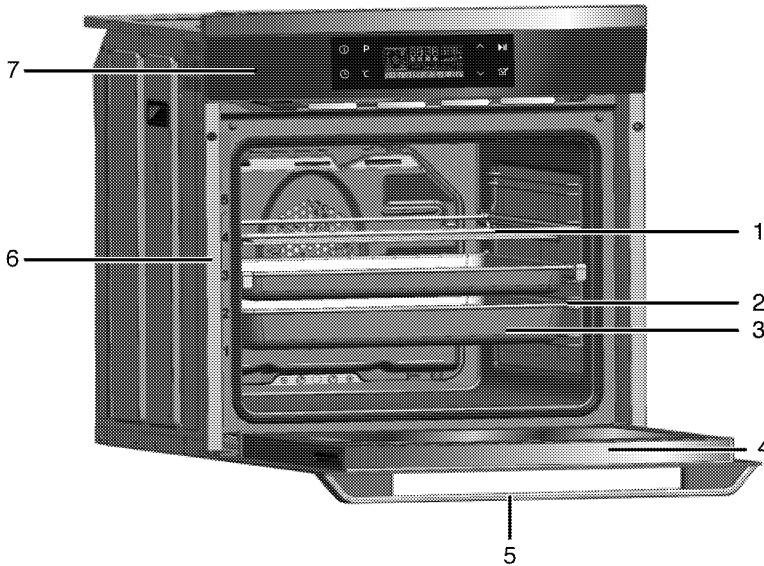
The product you have purchased complies with EU RoHS Directive (2011/65/EU). It does not contain harmful and prohibited materials specified in the Directive.

### Package information

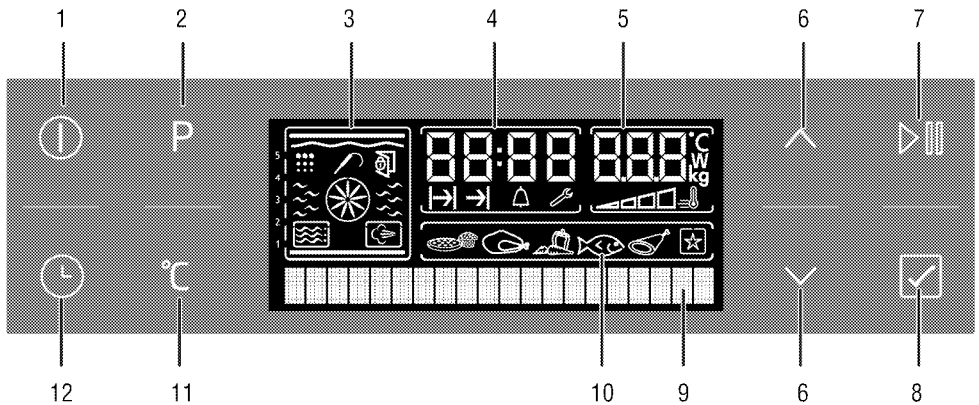
- Packaging materials of the product are manufactured from recyclable materials in accordance with our National Environment Regulations. Do not dispose of the packaging materials together with the domestic or other wastes. Take them to the packaging material collection points designated by the local authorities.

## 2 General information

### Overview



- |   |            |   |                 |
|---|------------|---|-----------------|
| 1 | Wire shelf | 5 | Handle          |
| 2 | Shelves    | 6 | Shelf positions |
| 3 | Tray       | 7 | Control panel   |
| 4 | Front door |   |                 |



- |   |  |    |  |
|---|--|----|--|
| 1 | ON/OFF key                                       | 8  | Convenience food menu selection key    |
| 2 | Program selection key                            | 9  | Text display                           |
| 3 | Function display                                 | 10 | Convenience food selection display     |
| 4 | Current time indicator field                     | 11 | Temperature/weight/booster setting key |
| 5 | Temperature/weight indicator field               | 12 | Time and settings key                  |
| 6 | Temperature-time increase/decrease-navigate keys |    |  |
| 7 | Start/stop cooking key                           |    |  |



## Package contents

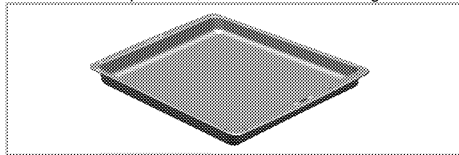


Accessories supplied can vary depending on the product model. Not every accessory described in the user manual may exist on your product.

1. **User manual**

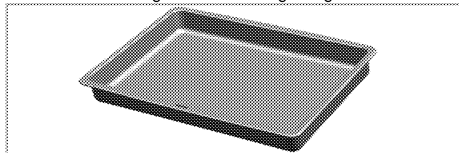
2. **Oven tray**

Used for pastries, frozen foods and big roasts.



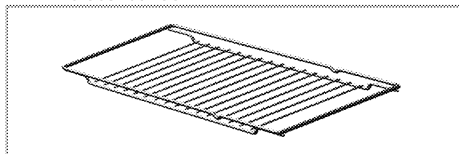
3. **Deep tray**

Used for pastries, large roasts, juicy dishes, and for collecting the fat while grilling.



4. **Wire Shelf**

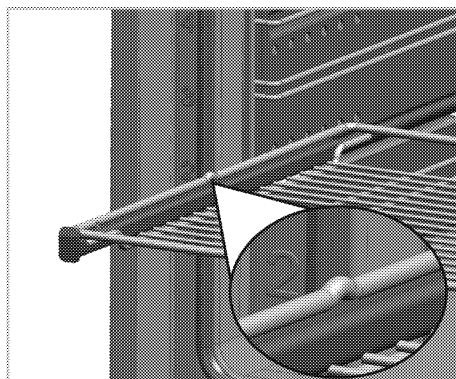
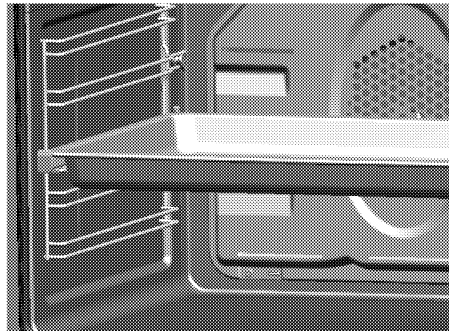
Used for roasting and for placing the food to be baked, roasted or cooked in casserole dishes to the desired rack.



5. **Placing the wire shelf and tray onto the telescopic racks properly**

Telescopic racks allow you to install and remove the trays and wire shelf easily.

When using the tray and wire shelf with telescopic racks, make sure that the pins at the rear section of the telescopic rack stands against the rear edges of the wire shelf and tray.



## Technical specifications

Voltage / frequency	220-240 V ~ 50 Hz
Total power consumption	3.1kW
Fuse	min. 16 A
Cable type / section	H05VV-FG 3 x 1,5 mm <sup>2</sup>
External dimensions (height / width / depth)	595 mm/594 mm/567 mm
Installation dimensions (height / width / depth)	**590 or 600 mm/560 mm/min. 550 mm
<b>Main oven</b>	<b>Multifunction oven</b>
Inner lamp	15/25 W
Grill power consumption	2.2 kW

# Basics: Information on the energy label of electrical ovens is given in accordance with the EN 60350-1 / IEC 60350-1 standard. Those values are determined under standard load with bottom-top heater or fan assisted heating (if any) functions.

Energy efficiency class is determined in accordance with the following prioritization depending on whether the relevant functions exist on the product or not. 1-Cooking with eco-fan, 2- Turbo cooking, 3- Turbo cooking, 4- Fan assisted bottom/top heating, 5-Top and bottom heating.

\*\* See. *Installation, page 11.*



Technical specifications may be changed without prior notice to improve the quality of the product.



Figures in this manual are schematic and may not exactly match your product.



Values stated on the product labels or in the documentation accompanying it are obtained in laboratory conditions in accordance with relevant standards. Depending on operational and environmental conditions of the product, these values may vary.

### 3 Installation

Product must be installed by a qualified person in accordance with the regulations in force. The manufacturer shall not be held responsible for damages arising from procedures carried out by unauthorized persons which may also void the warranty.



Preparation of location and electrical installation for the product is under customer's responsibility.



**DANGER:**

The product must be installed in accordance with all local electrical regulations.



**DANGER:**

Prior to installation, visually check if the product has any defects on it. If so, do not have it installed.

Damaged products cause risks for your safety.

#### Before installation

The appliance is intended for installation in commercially available kitchen cabinets. A safety

distance must be left between the appliance and the kitchen walls and furniture. See figure (values in mm).

- Surfaces, synthetic laminates and adhesives used must be heat resistant (100 °C minimum).
- Kitchen cabinets must be set level and fixed.
- If there is a drawer beneath the oven, a shelf must be installed between oven and drawer.
- Carry the appliance with at least two persons.



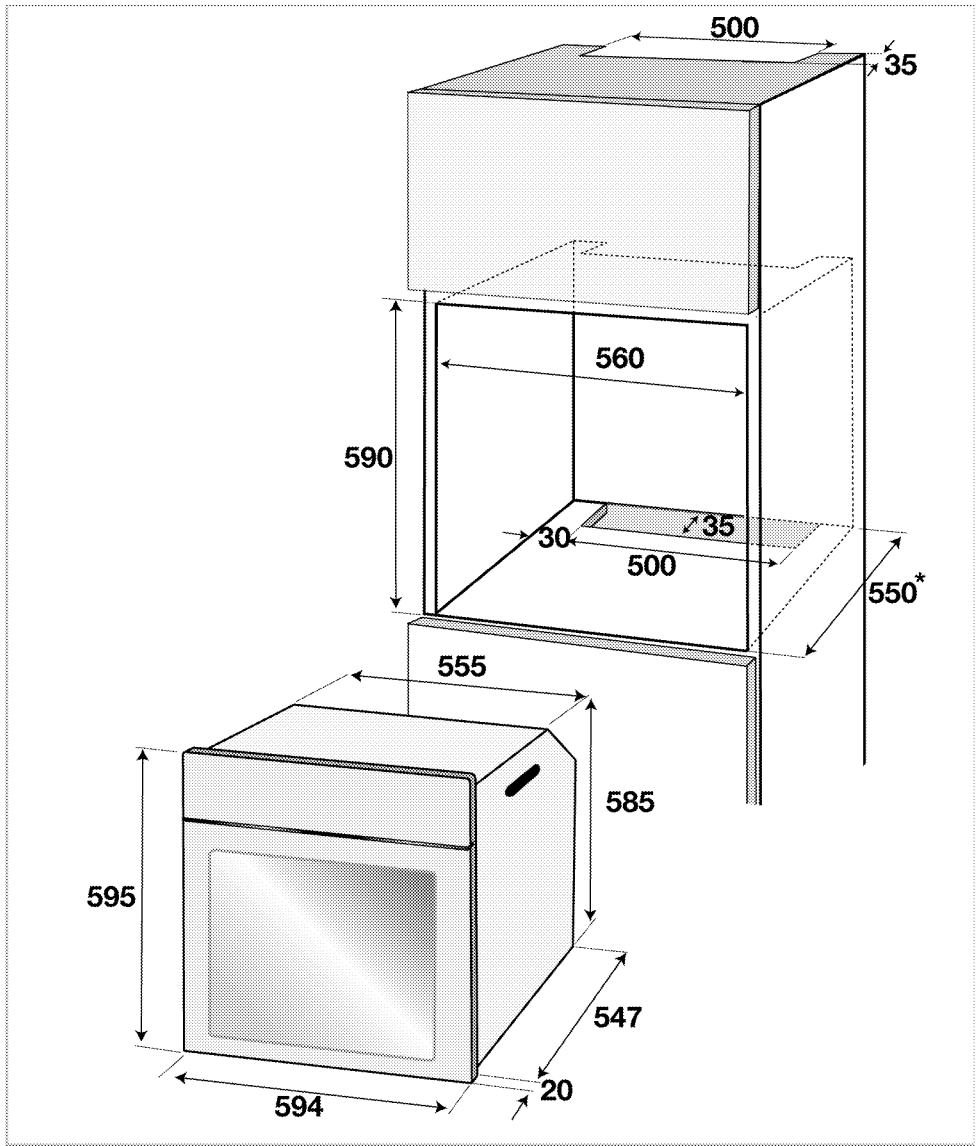
Do not install the appliance next to refrigerators or freezers. The heat emitted by the appliance will lead to an increased energy consumption of cooling appliances.



The door and/or handle must not be used for lifting or moving the appliance.



If the appliance has wire handles, push the handles back into the side walls after moving the appliance.



\* min.

### Installation and connection

- The product must be installed in accordance with all local gas and electrical regulations.

### Electrical connection

Connect the product to a grounded outlet/line protected by a fuse of suitable capacity as stated in the "Technical specifications" table. Have the grounding installation made by a qualified electrician

while using the product with or without a transformer. Our company shall not be liable for any damages that will arise due to using the product without a grounding installation in accordance with the local regulations.

**DANGER:**

Risk of electric shock, short circuit or fire by unprofessional installation!  
The appliance may be connected to the mains supply only by an authorized qualified person and the appliance is only guaranteed after correct installation.

**DANGER:**

Risk of electric shock, short circuit or fire by damage of the mains lead!  
The mains lead must not be clamped, bent or trapped or come into contact with hot parts of the appliance.  
If the mains lead is damaged, it must be replaced by a qualified electrician.

- Connection must comply with national regulations.
- The mains supply data must correspond to the data specified on the type label of the product. Open the front door to see the type label.
- Power cable of your product must comply with the values in "Technical specifications" table.

**DANGER:**

Risk of electric shock!  
Before starting any work on the electrical installation, please disconnect the appliance from the mains supply.

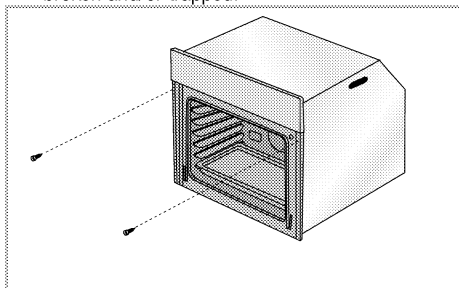


Power cable plug must be within easy reach after installation (do not route it above the hob).

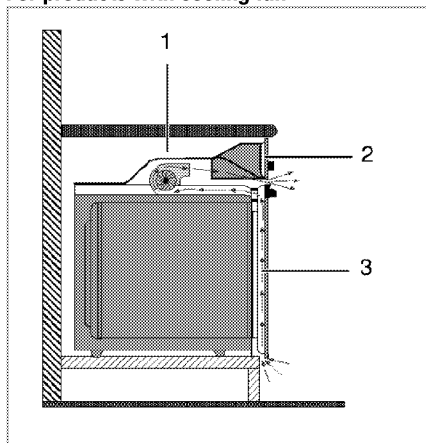
Plug the power cable into the socket.

**Installing the product**

1. Slide the oven into the cabinet, align and secure it while making sure that the power cable is not broken and/or trapped.



Secure the oven with 2 screws as illustrated.

**For products with cooling fan**

- 1 Cooling fan
- 2 Control panel
- 3 Door

The built-in cooling fan cools both the built-in cabinet and the front of the product.



Cooling fan continues to operate for about 20-30 minutes after the oven is switched off. If you have cooked by programming the timer of the oven, cooling fan will also be switched off at the end of the cooking time together with all functions.

**Final check**

1. Plug in the power cable and switch on the product's fuse.
2. Check the functions.

**Future Transportation**

- Keep the product's original carton and transport the product in it. Follow the instructions on the carton. If you do not have the original carton, pack the product in bubble wrap or thick cardboard and tape it securely.
- To prevent the wire grill and tray inside the oven from damaging the oven door, place a strip of cardboard onto the inside of the oven door that lines up with the position of the trays. Tape the oven door to the side walls.
- Do not use the door or handle to lift or move the product.



Do not place other items on the top of the appliance. The appliance must be transported upright.



Check the general appearance of your product for any damages that might have occurred during transportation.

## 4 Preparation

### Tips for saving energy

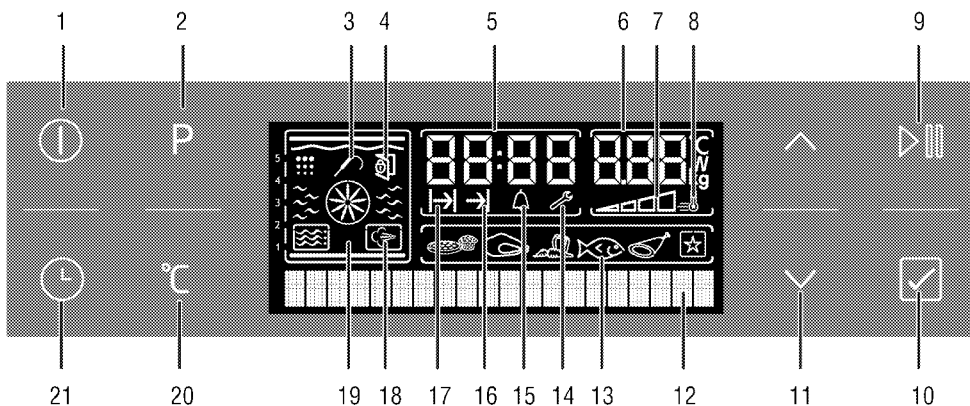
The following information will help you to use your appliance in an ecological way, and to save energy:

- Use dark coloured or enamel coated cookware in the oven since the heat transmission will be better.
- While cooking your dishes, perform a preheating operation if it is advised in the user manual or cooking instructions.
- Do not open the door of the oven frequently during cooking.

- Try to cook more than one dish in the oven at the same time whenever possible. You can cook by placing two cooking vessels onto the wire shelf.
- Cook more than one dish one after another. The oven will already be hot.
- You can save energy by switching off your oven a few minutes before the end of the cooking time. Do not open the oven door.
- Defrost frozen dishes before cooking them.

### Initial use

#### Time setting

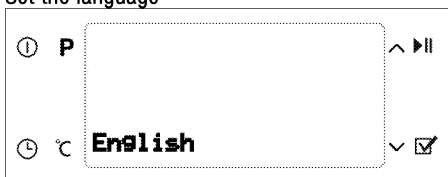


- 1 ON/OFF key
  - 2 Program selection key
  - 3 Meat Probe symbol (\*)
  - 4 Door Lock symbol (\*)
  - 5 Current time indicator field
  - 6 Temperature/weight indicator field
  - 7 Oven Inner Temperature symbol
  - 8 Booster symbol (rapid pre-heating)
  - 9 Start/stop cooking key
  - 10 Convenience food menu selection key
  - 11 Temperature-time increase/decrease-navigate keys
  - 12 Text display
  - 13 Convenience food selection display
  - 14 Settings symbol
  - 15 Alarm symbol
  - 16 End of Cooking Time symbol
  - 17 Cooking Time symbol
  - 18 Steam Cooking symbol (\*)
  - 19 Function display
  - 20 Temperature-Weight and Rapid Heating Setting key
  - 21 Time and settings key
- \* Varies depending on the product model.

Plug in the power cable and switch on the product's fuse.

You have to set the language before setting the time.

#### Set the language



When you switch on the oven for the first time, "English" appears on the Text display (12). Press or (11) lightly to select the desired language. (10)

Press lightly to confirm the language selection.

Language setting screen will appear only during the initial startup. Use Settings menu to change the language. *Settings menu, page 27.*

#### Set the time



After selecting the language, "Time setting" appears on the Text display (12). Press  $\wedge$  or  $\vee$  (11) lightly to enter the current time.



Before you can use the oven, the time must be set. If the time is not set, Settings symbol (14) will remain lit. It will disappear once the time is set.

### First cleaning of the appliance



The surface may get damaged by some detergents or cleaning materials. Do not use aggressive detergents, cleaning powder/cream or any sharp objects.

1. Remove all packaging materials.
2. Wipe the surfaces of the appliance with a damp cloth or sponge and dry with a cloth.

### Initial heating

Heat up the product for about 30 minutes and then switch it off. Thus, any production residues or layers will be burnt off and removed.



### WARNING

Hot surfaces may cause burns!  
Do not touch the hot surfaces of the appliance.  
Use oven gloves. Keep children away from the appliance.

### Electric oven

1. Take all baking trays and the wire grill out of the oven.
2. Close the oven door.
3. Select Static position.
  1. Select the highest oven power; See *How to operate the electric oven, page 16*.
  2. Operate the oven for about 30 minutes.
  3. Turn off your oven; See *How to operate the electric oven, page 16*

### Grill oven

1. Take all baking trays and the wire grill out of the oven.
2. Close the oven door.
3. Select the highest grill power; see *How to operate the grill, page 27*.
4. Operate the grill about 30 minutes.
5. Turn off your grill; see *How to operate the grill, page 27*



Smell and smoke may emit during first heating. Ensure that the room is well ventilated.

## 5 How to operate the oven

### General information on baking, roasting and grilling



#### WARNING

Hot surfaces may cause burns!  
Do not touch the hot surfaces of the appliance.  
Use oven gloves. Keep children away from the appliance.



#### DANGER:

Risk of scalding by hot steam!  
Take care when opening the oven door as steam may escape.

#### Tips for baking

- Use non-sticky coated appropriate metal plates or aluminum vessels or heat-resistant silicone moulds.
- Make best use of the space on the rack.
- Place the baking mould in the middle of the shelf.
- Select the correct rack position before turning the oven or grill on. Do not change the rack position when the oven is hot.
- Keep the oven door closed.

#### Tips for roasting

- Treating whole chicken, turkey and large piece of meat with dressings such as lemon juice and black pepper before cooking will increase the cooking performance.
- It takes about 15 to 30 minutes longer to roast meat with bones when compared to roasting the same size of meat without bones.
- Each centimeter of meat thickness requires approximately 4 to 5 minutes of cooking time.
- Let meat rest in the oven for about 10 minutes after the cooking time is over. The juice is better distributed all over the roast and does not run out when the meat is cut.
- Fish should be placed on the middle or lower rack in a heat-resistant plate.

#### Tips for grilling

When meat, fish and poultry are grilled, they quickly get brown, have a nice crust and do not get dry. Flat pieces, meat skewers and sausages are particularly suited for grilling as are vegetables with high water content such as tomatoes and onions.

- Distribute the pieces to be grilled on the wire shelf or in the baking tray with wire shelf in such a way that the space covered does not exceed the size of the heater.

- Slide the wire shelf or baking tray with grill into the desired level in the oven. If you are grilling on the wire shelf, slide the baking tray to the lower rack to collect fats. Add some water in the tray for easy cleaning.



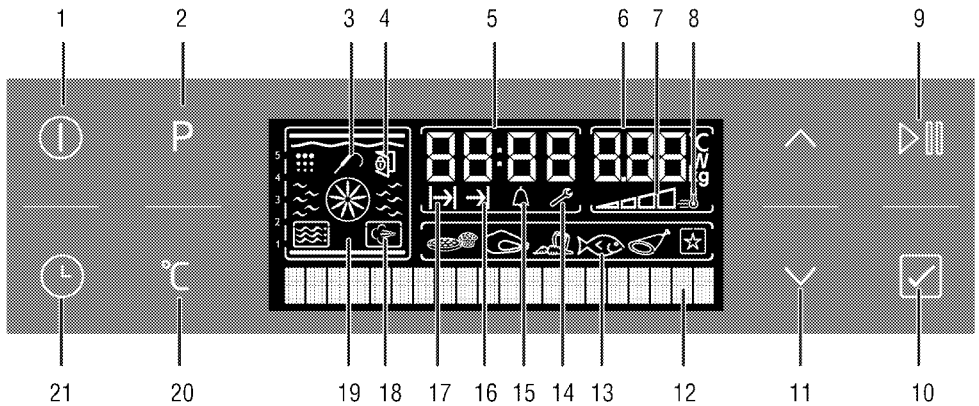
#### Fire danger due to food which is unsuitable for grilling!

Only use food for grilling which is suitable for intensive grilling heat.  
Do not place the food too far in the back of the grill. This is the hottest area and fat food may catch fire.

### How to operate the electric oven





## Control panel




- 1 ON/OFF key
- 2 Program selection key
- 3 Meat Probe symbol (\*)
- 4 Door Lock symbol (\*)
- 5 Current time indicator field
- 6 Temperature/weight indicator field
- 7 Oven Inner Temperature symbol
- 8 Booster symbol (rapid pre-heating)
- 9 Start/stop cooking key
- 10 Convenience food menu selection key
- 11 Temperature-time increase/decrease-navigate keys
- 12 Text display
- 13 Convenience food selection display
- 14 Settings symbol
- 15 Alarm symbol
- 16 End of Cooking Time symbol
- 17 Cooking Time symbol
- 18 Steam Cooking symbol (\*)
- 19 Function display
- 20 Temperature-Weight and Rapid Heating Setting key
- 21 Time and settings key
- \* Varies depending on the product model.

### Adjust the current time

You can set the time again when desired.

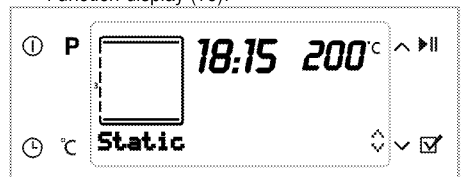
1. To set the current time, press Time and Settings key (21) three times until "Set day time" appears on the Text display (12) while the oven is switched off.
2. Press  or  (11) lightly to set the current time.






 During power outages that last shorter than 20 minutes, time setting will remain stored. Current time can not be changed when any of the oven functions is in use.

### Select temperature and operating mode

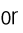

1. Press On/Off key (1) to switch on the oven. When the oven switches on, top and bottom heating icons appear in Function display (19) and "Static" appears in Text display (12). Recommended temperature appears in Temperature/Weight indicator field (6). Active heaters and recommended tray position appears in the Function display (19).

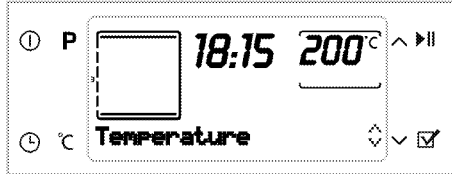


 Oven will switch off automatically within 20 seconds if no oven setting is made on Function display (19).

2. Press  or  (11) to select the desired operating mode.


After the function is selected, "Temperature", "Cook time", "Cook end time" and "Booster" (rapid heating) can be set.

3. 2. Press Temperature - Weight and Rapid Heating Setting key (20) once to reach the temperature display.
4. Press  or  (11) until the desired temperature appears in the Temperature/Weight Indicator field (6).



5. Press Start/stop Cooking key (9) to start the oven with the selected function. "Cooking" appears on the display.



 If the oven door is opened during cooking, "Door open" warning appears on the display.

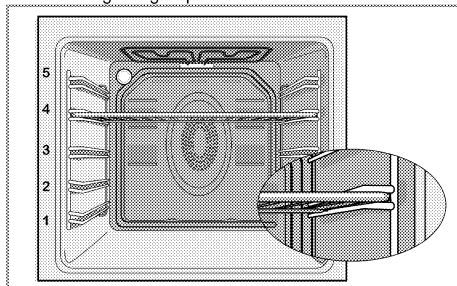
### Switching off the electric oven

Press On/Off key (1) to switch off the oven.

### Rack positions (For models with wire shelf)








It is important to place the wire shelf onto the side rack correctly. Wire shelf must be inserted between the side racks as illustrated in the figure.

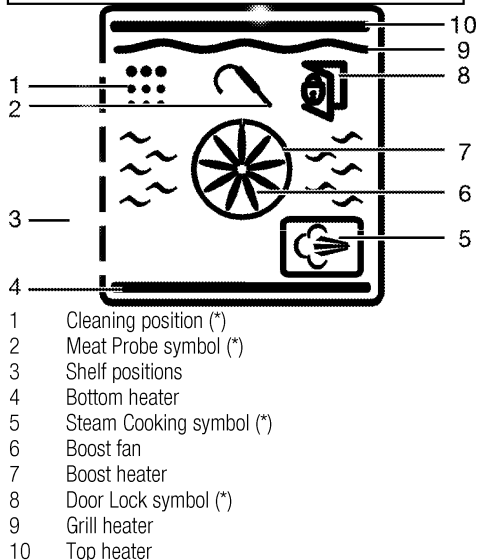
Do not let the wire shelf stand against the rear wall of the oven. Slide your wire shelf to the front section of the rack and settle it with the help of the door in order to obtain a good grill performance.



### Function table

Function table indicates the functions that can be used in the oven and their respective maximum and minimum temperatures.

	Functions vary depending on the product model.
	Due to safety reasons, maximum time that can be set for "Cook time" is limited with 6 hours at all positions apart from "Warm Keeping" and "Low Temperature Cooking" functions.
	While making any adjustment, related symbols will flash on the display.
	Program will be cancelled in case of power failure. You must reprogram the oven.
	Current time cannot be set while the oven is operating in any function, or if semi-automatic or full automatic programming is made on the oven.
	If no button is pressed within 20 seconds while making any settings on the oven, it will switch itself off.
	Even if the oven is switched off, oven lamp lights up when the oven door is opened.





Functions vary depending on the product model!

Function	Recommended temperature (°C)	Temperature range (°C)
Static	200	40-280
Static + Fan	175	40-280
Surf	180	40-280
Multi (3D)	205	40-280
Pizza	210	40-280
Full grill+Fan (fan assisted large grill)	200	40-280
Full Grill	280	40-280
Grill	280	40-280
Slow cooking/Eco Fan Heating	180	160-220
Bottom heating	180	40-220
Warm keeping	60	40-100
Low temperature cooking	100	50-150
Defrost	-	-

\* Functions vary depending on the product model.

### Operating modes

The order of operating modes shown here may be different from the arrangement on your product.

#### Static

Food is heated simultaneously from the top and bottom. It is suitable for cakes, pastries, or cakes and casseroles in baking moulds. Cook with one tray.



#### Static+fan

Hot air heated by the bottom and top heaters is evenly distributed throughout the oven rapidly by means of the fan. Cook with one tray.



#### Fan assisted cooking / Surf function

Hot air heated by the rear heater is evenly distributed throughout the oven rapidly by means of the fan. It is suitable for cooking your meals in different rack levels and preheating is not required in most cases. Suitable for cooking with multi trays.



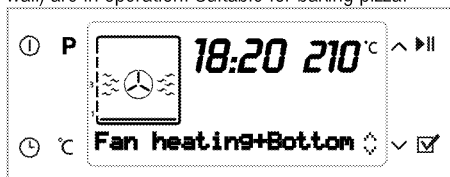
#### Multi (3-D) cooking

Top heating, bottom heating and fan assisted heating are in operation. Food is cooked evenly and quickly all around. Cook with one tray.



#### Fan heat.+bottom

Bottom heating and fan assisted heating (in the rear wall) are in operation. Suitable for baking pizza.



#### Full grill+Fan

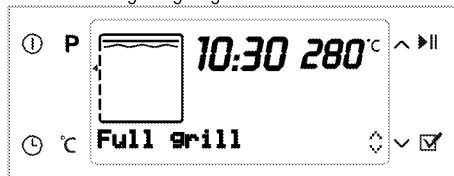
Hot air heated by the full grill is distributed very fast in the oven by means of the fan. It is suitable for grilling large amount of meat.



- Put big or medium-sized portions in correct rack position under the grill heater for grilling.
- Set the temperature to maximum level.
- Turn the food after half of the grilling time.

### Full grill

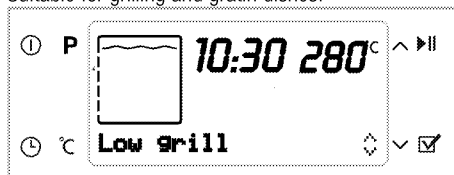
Large grill at the ceiling of the oven is in operation. It is suitable for grilling large amount of meat.



- Put big or medium-sized portions in correct rack position under the grill heater for grilling.
- Set the temperature to maximum level.
- Turn the food after half of the grilling time.

### Grill

Small grill at the ceiling of the oven is in operation. Suitable for grilling and gratin dishes.



- Put small or medium-sized portions in correct rack position under the grill heater for grilling.
- Set the temperature to maximum level.
- Turn the food after half of the grilling time.

### Slow cooking/Eco Fan Heating

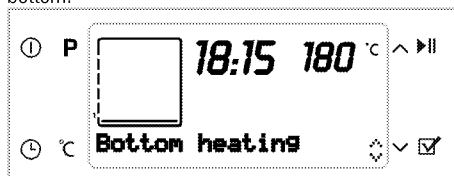
To save power, you can use this function instead of the cooking operations that you would perform by using Fan Heating at 160-220 °C temperature range. However, the cooking time will increase a little bit.

Cooking times related to this function are indicated in "Slow cooking/Eco Fan Heating" table.



### Bottom Heating

Only bottom heating is in operation. It is suitable for pizza and for subsequent browning of food from the bottom.



### Warm keeping

Used for keeping food at a temperature ready for serving for a long period of time.



### Low temperature cooking

Used for cooking at low temperatures in longer times (10-15 hours).



### Defrost

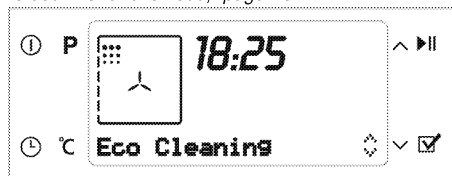
The oven is not heated. Only the fan (in the rear wall) is in operation.

Suitable for thawing frozen granular food slowly at room temperature and cooling down the cooked food.



### Pyrolysis - economy mode

Used for allowing the oven to clean itself at a high temperature. It is recommended for lightly soiled ovens. Read the description in the cleaning section to use this function see, *page 29*.



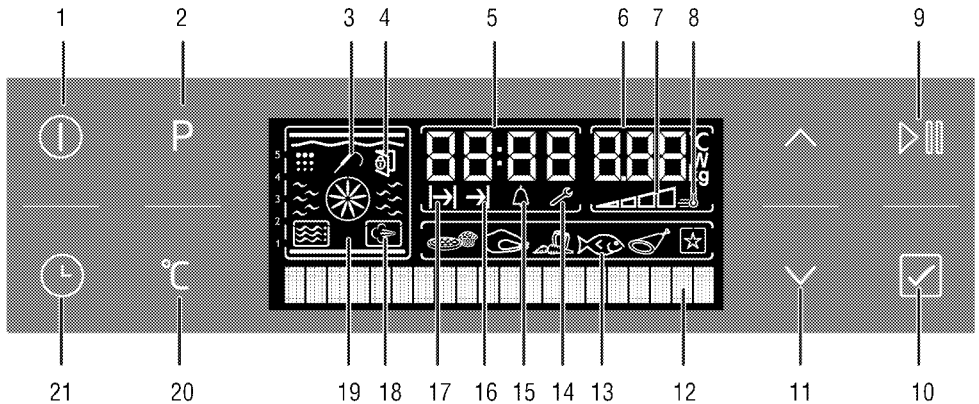
## Pyrolysis

Used for allowing the oven to clean itself at a high temperature. Read the description in the cleaning section to use this function see, *page 29*.

## Pyrolysis



## How to operate the oven control unit



- 1 ON/OFF key
- 2 Program selection key
- 3 Meat Probe symbol (\*)
- 4 Door Lock symbol (\*)
- 5 Current time indicator field
- 6 Temperature/weight indicator field
- 7 Oven Inner Temperature symbol
- 8 Booster symbol (rapid pre-heating)
- 9 Start/stop cooking key
- 10 Convenience food menu selection key
- 11 Temperature-time increase/decrease-navigate keys
- 12 Text display
- 13 Convenience food selection display
- 14 Settings symbol
- 15 Alarm symbol
- 16 End of Cooking Time symbol
- 17 Cooking Time symbol
- 18 Steam Cooking symbol (\*)
- 19 Function display
- 20 Temperature-Weight and Rapid Heating Setting key

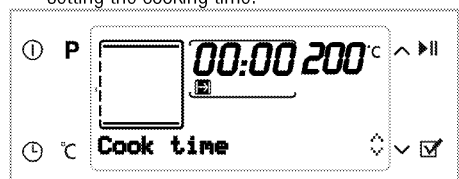
- 21 Time and settings key

\* Varies depending on the product model.

### Enable semi-automatic operation

In this operation mode, you may adjust the time period during which the oven will operate (cook time).

1. Press On/Off button (1) to switch on the oven.
2. Press or (11) to select the desired function.
3. For cooking time, press Time and Settings button (21) for once to highlight "Cook time" on the Text display (12). Cooking Time symbol (17) flashes at the same time.
4. Press or (11) lightly to set the cooking time. Cooking Time symbol (17) is displayed after setting the cooking time.



5. Put your dish into the oven and close the door.
6. For cooking temperature, press Temperature - Weight and Rapid Heating Setting key (20) for

once to highlight **"Temperature"** on the Text display.

- Press or (11) to set the temperature.
- Press Start/Stop Cooking key (9) to start cooking.

**"Cooking"** appears on the display.

» The oven will be heated up to the preset temperature and will maintain this temperature until the end of the cooking time you selected. The oven lamp is lit during the cooking process.



All segments of the inner oven temperature symbol (7) will turn on when the oven reaches the set temperature.

- After the cooking is completed, **"Good appetite... Press to continue"** appears on the display and alarm signal is heard.
- To stop the alarm signal, just press any key. If you press Start/Stop Cooking key (9), oven continues to operate in the selected mode. Alarm stops.
- If you do not press Start/Stop Cooking key (9), oven switches off automatically and current time is displayed.

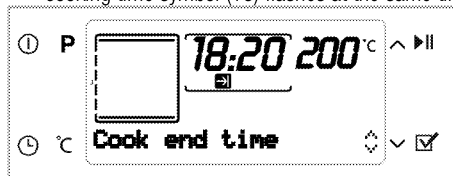
### Switch on fully automatic operation

In this operation mode you can adjust cooking time and end of cooking time.

- Press On/Off key (1) to switch on the oven.
- Press or (11) to select the desired function.
- For cooking time, press Time and Settings key (21) for once to highlight **"Cook time"** on the Text display (12). Cooking Time symbol (17) flashes at the same time.
- Press or (11) lightly to set the cooking time.

» Cooking Time symbol (17) is displayed after setting the cooking time.

- For end of cooking time, press Time and Settings key (21) with short intervals until **"Cook end time"** appears on the Text display (12). End of cooking time symbol (16) flashes at the same time.



- Press or (11) to set the end of cooking time.

» After setting the end of cooking time, End of Cooking Time symbol (16) appears on the display.

- Put your dish into the oven and close the door.

- For cooking temperature, press Temperature - Weight and Rapid Heating Setting key (20) for once to highlight **"Temperature"** on the Text display. Press or (11) to set the temperature.

- Press Start/Stop Cooking key (9) to start cooking. **"Waiting"** appears on the display.

» Oven timer automatically calculates the startup time for cooking by deducting the cooking time from the end of cooking time you have set.

- Selected operation mode is activated when the startup time of cooking has come, **"Cooking"** appears on the display and the oven is heated up to the set temperature. It maintains this temperature until the end of the cooking time. The oven lamp is lit during the cooking process.



All segments of the inner oven temperature symbol (7) will turn on when the oven reaches the set temperature.

- After the cooking is completed, **"Good appetite... Press to continue"** appears on the display and alarm signal is heard.
- To stop the alarm signal, just press any key. If you press Start/Stop Cooking key (9), oven continues to operate in the selected mode. Alarm stops.
- If you do not press Start/Stop Cooking key (9), oven switches off automatically and current time is displayed.



If you want to cancel the semi-automatic or automatic programming after you have set them, you need to reset the cooking time. You can also switch off the oven by pressing the On/Off key (1) if desired.

### Setting the booster

Use Booster (rapid pre-heating) function to make the oven reach the desired temperature faster.



Booster can not be selected in Defrost, Slow cooking, Warm keeping and Low temperature cooking functions. Booster settings will be cancelled in case of power outage.

Select the desired cooking function and then:

- Press Temperature - Weight and Rapid Heating Setting key (20) with short intervals until "Booster passive" appears on the display.
- Press (11) to display 1 **"Booster active"**. Booster symbol (8) remains lit.



» Booster symbol (8) disappears as soon as the oven reaches the desired temperature and oven resumes operating in the function it was in before the Booster function.

- To cancel Booster function, press Temperature - Weight and Rapid Heating Setting key (20) with short intervals until "Booster active" appears on the display.
- Press (11) to display 1 "Booster passive".



» When you return to the function selection display after this process, Booster symbol (8) disappears.

### Using the keylock

You can prevent oven from being intervened with by activating the Keylock function.



Keylock can be used either when the oven is operating or not. Oven can be switched off by pressing the On/Off button (1) even when the keylock is activated while the oven is operating.

### Activating the keylock

- Press Time and Settings button (21) with short intervals until **Key lock passive** appears on the display.
- Press (11) to activate the keylock. After activating the keylock, "**Key lock active**" will appear on the display.



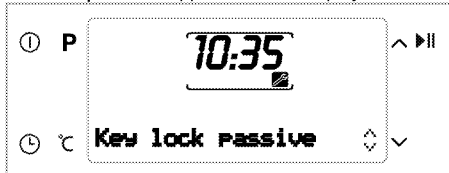
» After activating the keylock, "Keylock active" warning will appear on the display when you press any key (except ).



Oven keys are not functional when the Keylock function is activated. Keylock will not be cancelled in case of power outage.

### Deactivating the keylock

- Press (11) to deactivate the keylock. "Key lock passive" appears on the display.



### Using the clock as an alarm

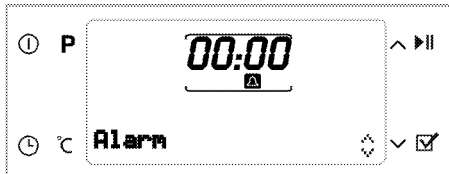
You can use the clock of the product for any warning or reminder apart from the cooking programme.

The alarm clock has no influence on the functions of the oven. It is only used as a warning. For example, this is useful when you want to turn food in the oven at a certain point of time. Alarm clock will give a signal once the time you set is over.



The maximum alarm time can be 23 hours and 59 minutes.

### To set the alarm:



- Press Time and Settings button (21) with short intervals until Alarm symbol (15) appears on the display.
- Press or (11) to set the time. Alarm symbol (15) remains lit after setting the alarm time.
- After the alarm time is finished, alarm symbol will start flashing and an alarm signal is heard.
- Press any key to stop the alarm.

### To cancel the alarm:

- Press Time and Settings button (21) with short intervals until Alarm symbol (15) appears on the display.
- Press (11) until "00:00" appears on the display.

## Cooking times table



The values indicated in the table below are data indicative. They may vary according to the type of food as well as your preferences of cooking.

## Baking and roasting



Level 1 is the **bottom** level in the oven.

Dish	Cooking level number		Rack position	Temperature (°C)	Cooking time (approx. in min.)
Cakes in tray*	One level		3 3	175	25 ... 30
Cakes in mould*	One level		2	180	50 ... 60
Cakes in cooking paper*	One level		3	175	25 ... 30
	2 levels		3 - 5	175	35 ... 40
	3 levels		1 - 3 - 5	180	35 ... 40
Sponge cake*	One level		3	200	8 ... 12
	2 levels		3 - 5	175	15 ... 20
	3 levels		1 - 3 - 5	175	15 ... 20
Cookies*	One level		3	175	25 ... 30
	2 levels		3 - 5	175	30 ... 40
	3 levels		1 - 3 - 5	175	35 ... 45
Dough pastry*	One level		2	200	30 ... 40
	2 levels		3 - 5	200	45 ... 55
	3 levels		1 - 3 - 5	200	45 ... 55
Rich pastry*	One level		2	200	25 ... 35
	2 levels		3 - 5	200	35 ... 45
	3 levels		1 - 3 - 5	200	35 ... 45
Leaven*	One level		2	200	35 ... 45
Lasagna*	One level		2 - 3	200	30 ... 40
Pizza*	One level		2	200 ... 220	15 ... 20
	One level		3	200	10 ... 15
Beef steak (whole) / Roast	One level		3	25 min. 250/max. then 180 ... 190	100 ... 120
Leg of Lamb (casserole)	One level		3	25 min. 250/max. then 190	70 ... 90
	One level		3	25 min. 250/max. then 190	60 ... 80
Roasted chicken	One level		2	15 min. 250/max. then 180 ... 190	60 ... 70
	One level		2	15 min. 250/max. then 180 ... 190	55 ... 65
Turkey (5.5 kg)	One level		1	25 min. 250/max. then 180 ... 190	150 ... 210
	One level		1	25 min. 250/max. then 180 ... 190	150 ... 210
Fish	One level		3	200	20 ... 30
	One level		3	200	20 ... 30

When cooking with 2 trays at the same time, place the deeper tray on the upper rack and the other one on the lower rack.

\* It is suggested to perform preheating for all foods.

(\*\*) In a cooking that requires preheating, preheat at the beginning of cooking until the oven temperature symbol (8) attains the last level.



## Slow cooking/Eco Fan Heating



Do not change the cooking temperature after cooking starts in Slow cooking/Eco Fan Heating mode.



Do not open the door during cooking in the Slow cooking/Eco Fan Heating mode.

Dish	Cooking level number		Rack position	Temperature (°C)	Cooking time (approx. in min.)
Meat-Casserole	One level		2	160	100 ... 120
Chicken-Casserole	One level		2	160	70 ... 100
Haricot Bean	One level		2	160	130 ... 150
Eggplant-Casserole	One level		2	160	130 ... 150
Steak – Whole	One level		2	160	110 ... 130
Steak – Sliced	One level		2	160	100 ... 120
Cakes in cooking paper	One level		2	185	35 ... 40
Cookies	One level		2	185	30 ... 35
Dough pastry	One level		2	200	40 ... 45
Rich pastry	One level		2	200	40 ... 45

- Perform a preheating for 6-7 minutes.
- White/red meats have to be flipped over in the pan prior to cooking until boiled down.
- Haricot beans have to be boiled for 30 minutes prior to cooking. You may directly use canned bean.
- Covering the cooking pan will increase performance of cooking.

### Tips for baking cake

- If the cake is too dry, increase the temperature by 10°C and decrease the cooking time.
- If the cake is wet, use less liquid or lower the temperature by 10°C.
- If the cake is too dark on top, place it on a lower rack, lower the temperature and increase the cooking time.
- If cooked well on the inside but sticky on the outside use less liquid, lower the temperature and increase the cooking time.

### Tips for baking pastry

- If the pastry is too dry, increase the temperature by 10°C and decrease the cooking time. Dampen the layers of dough with a sauce composed of milk, oil, egg and yoghurt.
- If the pastry takes too long to bake, pay care that the thickness of the pastry you have prepared does not exceed the depth of the tray.
- If the upper side of the pastry gets browned, but the lower part is not cooked, make sure that the amount of sauce you have used for the pastry is not too much at the bottom of the pastry. Try to scatter the sauce equally between the dough layers and on the top of pastry for an even browning.



Cook the pastry in accordance with the mode and temperature given in the cooking table. If the bottom part is still not browned enough, place it on one lower rack next time.

### Tips for cooking vegetables

- If the vegetable dish runs out of juice and gets too dry, cook it in a pan with a lid instead of a tray. Closed vessels will preserve the juice of the dish.
- If a vegetable dish does not get cooked, boil the vegetables beforehand or prepare them like canned food and put in the oven.

### For the best cooking result (Fan assisted heating/Fan heating/Surf function):

- You can cook foods made of dense dough such as buns, cake in paper, cookies or biscuits simultaneously in 1, 2 or 3 trays thanks to the homogenous heat distribution ensured by this function.
- You may cook wet dough foods such as apple pie and tart in tray simultaneously in 2 trays.
- Cooking large amount of foods containing much liquid or yeasted dough in a single tray will improve the cooking result. More homogenous cooking is obtained in large volume foods which are rising as the hot air comes from the side walls as well, which is a function not contained in conventional ovens.
- Time and energy can be saved and perfect cooking results can be obtained thanks to the multi-tray cooking feature of this function.

## Cooking guide functions

### Selecting the convenience food functions

Convenience Foods menu contains meal programmes that are prepared for you by professional cooks specially and stored in the memory of the control unit. In this menu, temperature, rack position, weight and cooking functions are set automatically.

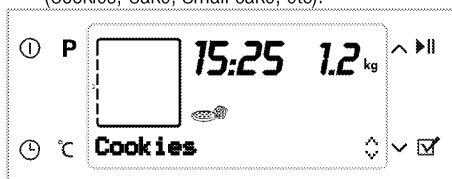
You can change the weight and cooking time according to your meal and your taste.

To select the Cooking Guide functions:

1. Press On/Off key (1) to switch on the oven.
2. Press Programme Selection button (2) to select the Convenience Food function display. In this step, "Cakes&Breads&Tarts" appears on the display and Convenience Food Selection display (13) is highlighted.



3. Press  $\wedge$  or  $\vee$  (11) to select the desired convenience food function main menu (Cakes&Breads&Tarts, Meat Poultry, Meat, Fish, Special meals, Special).
4. Press Convenience Food Menu Selection key (10) to confirm the desired Main Meal menu.
5. Press  $\wedge$  or  $\vee$  (11) to select the desired meal (Cookies, Cake, Small cake, etc).




6. Put your meal into the oven.
7. Press Start/Stop Cooking key (9) to start cooking. "Cooking" appears on the display.

 If Start/Stop Cooking key (9) is not pressed within 20 seconds, the oven will switch itself off.

8. After the cooking is completed, "Good appetite..." appears on the display and alarm signal is heard.

 To stop the alarm signal, just press any key.

 "Back" appearing on the display while navigating in the meal menu allows you to return to the upper menu. Press Convenience Food Menu Selection button (10) to return to the upper menu.

Before starting to cook in the Convenience Food menu, you can set the weight depending on the meal type you have selected. To do this:

1. Press Temperature - Weight and Rapid Heating Setting button (20) until the weight indicator field starts flashing.



2. Press  $\wedge$  or  $\vee$  (11) to set the weight. Before starting to cook in the convenience food menu, you can set the weight depending on the meal type you have selected. To do this:

1. Press Temperature - Weight and Rapid Heating Setting button (20) until the weight indicator field starts flashing.
2. Press (11) key to set the weight.

### Convenience food menu:



May vary depending on the models

Cakes&Breads&Tarts	Meat poultry	Special meals	Fish	Meat	Special
Cookies	Chicken, grilled	Casserole	Fish fillet	Roast beef	Fermenting
Small cake	Chicken, fillet	Quiches	Baked anchovy	Dalyan meatball	Yoghurt
Brownie		Macaroni cheese	Haddock (Merlans)		Dried apple
Sponge cake		Lasagna	Salmon fillet		Fried chestnut
Apple strudel		Moussaka			
Apple pie					

## Settings menu

### Brightness setting

Brightness can only be set when the oven is switched off.


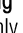
1. Press Time and Settings key (21) with short intervals until "Brightness" appears on the display.
2. There are 4 brightness levels, namely 1, 2, 3 and 4.
3. Press  or  (11) to select the desired level.



Brightness level decreases to save power when the oven is switched off. It restores to the set level again when the oven is switched on.


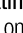
### Contrast setting

Contrast can only be set when the oven is switched off.

1. Press Time and Settings key (21) with short intervals until "Contrast" appears on the display.
2. There are 4 contrast levels, namely 1, 2, 3 and 4.
3. Press  or  (11) to select the desired level.

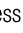

### Volume setting

Volume can only be set when the oven is switched off.

1. Press Time and Settings key (21) with short intervals until "Volume" appears on the display.
2. There are 3 volume levels, namely 0 (mute), 1 and 2.
3. Press  or  (11) to select the desired level.

### Language setting


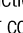

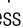
Language can only be set when the oven is switched off.

1. Press Time and Settings key (21) with short intervals until the last selected language appears on the display.
2. Press  or  (11) to select the desired language.
3. Confirm with Convenience Food Menu Selection key (10).

## How to operate the grill



**Close oven door during grilling.**  
Hot surfaces may cause burns!

1. Press On/Off key (1) to switch on the oven.
2. Press  or  (11) to select the desired grill function.
3. For cooking temperature, press Temperature - Weight and Rapid Heating Setting key (20) for once to highlight "Temperature" on the Text display. Press  or  (11) to set the temperature.
4. Press On/Off key (1) to switch off the oven.



**Fire danger due to food which is unsuitable for grilling!**

Only use food for grilling which is suitable for intensive grilling heat.  
Do not place the food too far in the back of the grill. This is the hottest area and fat food may catch fire.

## Cooking times table for grilling

### Grilling with electric grill

Food	Insertion level	Grilling time (approx.)
Fish	4..5	20...25 min. #
Sliced chicken	4..5	25...35 min.
Lamb chops	4..5	20...25 min.
Roast beef	4..5	25...30 min. #
Veal chops	4..5	25...30 min. #
Toast bread	4	1...2 min.

# depending on thickness

## 6 Maintenance and care

### General information

Service life of the product will extend and the possibility of problems will decrease if the product is cleaned at regular intervals.

**DANGER:**

Risk of electric shock!  
Switch off the electricity before cleaning appliance to avoid an electric shock.

**DANGER:**

Hot surfaces may cause burns!  
Allow the appliance to cool down before you clean it.

- Clean the product thoroughly after each use. In this way it will be possible to remove cooking residues more easily, thus avoiding these from burning the next time the appliance is used.
- No special cleaning agents are required for cleaning the product. Use warm water with washing liquid, a soft cloth or sponge to clean the product and wipe it with a dry cloth.
- Always ensure any excess liquid is thoroughly wiped off after cleaning and any spillage is immediately wiped dry.
- Do not use cleaning agents that contain acid or chloride to clean the stainless or inox surfaces and the handle. Use a soft cloth with a liquid detergent (not abrasive) to wipe those parts clean, paying attention to sweep in one direction.



The surface may get damaged by some detergents or cleaning materials.  
Do not use aggressive detergents, cleaning powder/cream or any sharp objects.



Do not use steam cleaners for cleaning.

### Cleaning the control panel

Clean the control panel and knobs with a damp cloth and wipe them dry.

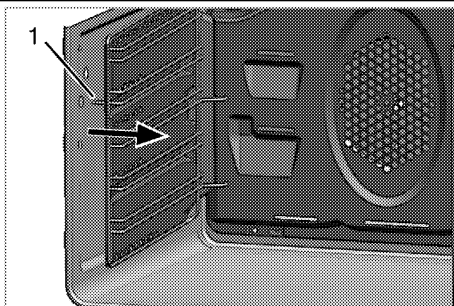


Damage of the control panel!  
Do not remove the control knobs for control panel cleaning.

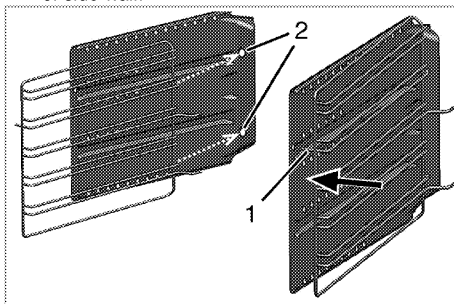
### Cleaning the oven

#### To clean the side wall

1. Remove pin (1) of the side rack by pulling it in the direction of arrow with the side wall it is mounted.

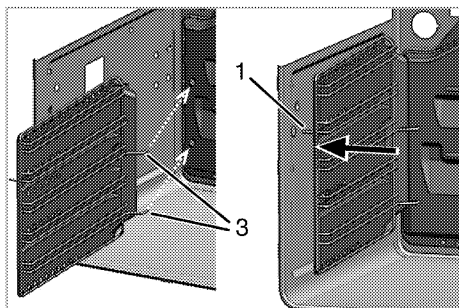


2. Remove the side rack and side wall completely by pulling it towards you.
3. Remove the side rack from the holes (2) on the oven wall by pulling.
4. To clean the side rack and side wall, use warm water with washing liquid, a soft cloth or sponge to clean the product and wipe it with a dry cloth.
5. Place side rack by pulling to holes (2) on the back of side wall.



If you have the flexi telescopic feature of your product; there is one hole on the back surf side wall. Place side rack by pulling to hole.

6. Lock side rack to side wall by pulling pin (1) of side rack in the direction of arrow.
7. Place side rack and side wall assembly to its place by pulling pins (3) to holes on the back wall as shown in figure.



8. Place pin (1) at side rack to its place as shown in figure.

**i** Be sure that side rack and side wall has been placed properly.

### Pyrolytic self-cleaning




#### DANGER:


Hot surfaces may cause burns!  
Do not touch the equipment and keep children away from the equipment during self-cleaning. Wait at least 30 minutes before removing residues.


The oven is equipped with pyrolytic self-cleaning. The oven is heated to approx. 480 °C and existing dirt is burned to ashes. A strong smoke development may arise. Provide for good ventilation. The pyrolysis should be used after approx. every 10th oven usage.

1. Remove all accessories from the oven. In models with side rack; do not forget to take out the side racks.
2. Before the cleaning cycle, remove dirt from exterior surfaces and oven interior with a damp cloth.

**i** Do not clean the door sealing. The fibre glass sealing is very sensitive and can be damaged easily.

3. "Pyrolysis"  Select the pyrolytic function (self-cleaning).

 **eco** It is advised to use economic cleaning function if the oven does not have too much dirt. If this function is used for heavy dirt, there won't be sufficient cleaning. For such cases, pyrolysis function



 should be applied after economic cleaning

 **eco** cycle finished.

The self-cleaning time appears in the display. This duration can not be adjusted.

The end of self cleaning cycle can be adjusted.

**i** The health of some birds is extremely sensitive to the fumes given off during the Self-Cleaning cycle. Always move birds to another closed and well ventilated room. Keep the kitchen well-ventilated during the Self-Cleaning cycle.

4. Oven door cannot be opened and lock symbol  appears on the time display during self cleaning. It remains locked for a while after the pyrolysis function ends. Do not force the door lock with handle until lock symbol  disappears.
5. After a clean cycle, remove soil deposits with vinegar water.

### Clean oven door

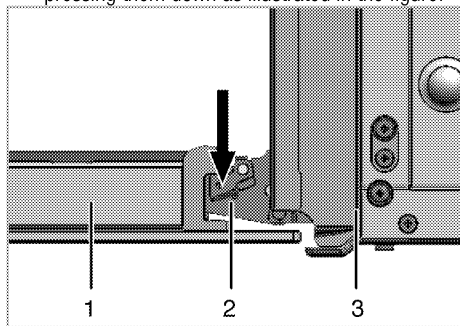
To clean the oven door, use warm water with washing liquid, a soft cloth or sponge to clean the product and wipe it with a dry cloth.



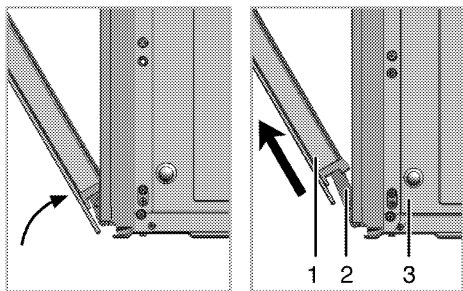
Don't use any harsh abrasive cleaners or sharp metal scrapers for cleaning the oven door. They could scratch the surface and destroy the glass.

### Removing the oven door

1. Open the front door (1).
2. Open the clips at the hinge housing (2) on the right and left hand sides of the front door by pressing them down as illustrated in the figure.



- 1 Front door
- 2 Hinge
- 3 Oven



3. Move the front door to half-way.
4. Remove the front door by pulling it upwards to release it from the right and left hinges.

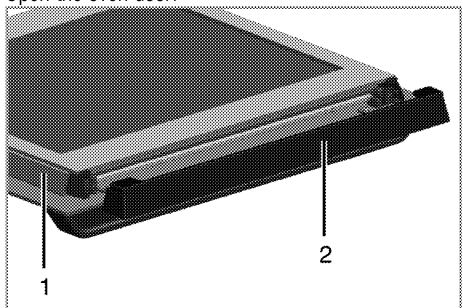


Steps carried out during removing process should be performed in reverse order to install the door. Do not forget to close the clips at the hinge housing when reinstalling the door.

### Removing the door inner glass

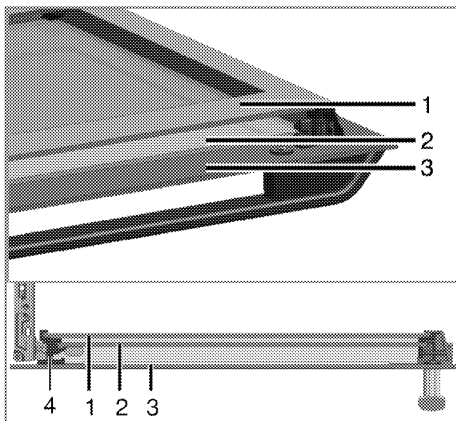
The inner glass panel of the oven door can be removed for cleaning.

Open the oven door.



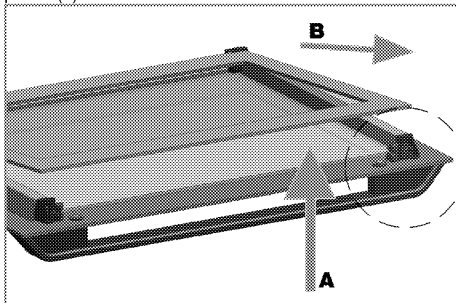
- 1 Frame
- 2 Plastic part

Pull towards yourself and remove the plastic part installed to upper section of the front door.



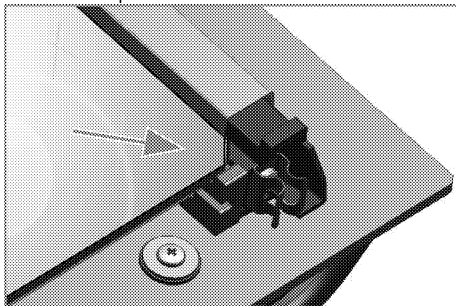
- 1 Innermost glass panel
- 2 Inner glass panel
- 3 Outer glass panel
- 4 Plastic glass panel slot-Lower

As illustrated in figure, raise the innermost glass panel (1) slightly in direction A and pull it out in direction B. Repeat the same procedure to remove the inner glass panel (2).



The first step to regroup the door is reinstalling inner glass panel (2).

As illustrated in figure, place the chamfered corner of the glass panel so that it will rest in the chamfered corner of the plastic slot.



Inner glass panel (2) must be installed into the plastic slot close the innermost glass panel (1).

When installing the innermost glass panel (1), make sure that the printed side of the panel faces towards the inner glass panel.

It is important to seat lower corner of inner glass panel into the lower plastic slot.

Push the plastic part towards the frame until you hear a "click".

## Replacing the oven lamp



### DANGER:

Hot surfaces may cause burns!

Make sure that the appliance is switched off and cooled down in order to avoid the risk of an electrical shock.



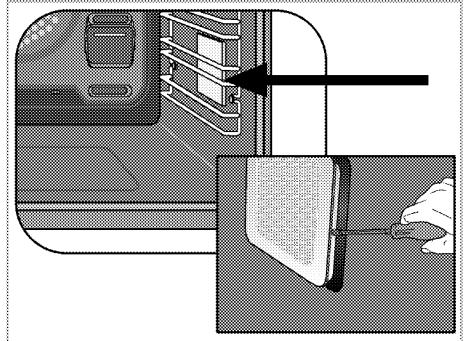
The oven lamp is a special electric light bulb that can resist up to 300 °C. See *Technical specifications, page 10* for details. Oven lamps can be obtained from Authorised Service Agents or technician with licence.



Position of lamp might vary from the figure.

### If your oven is equipped with a square lamp:

1. Disconnect the product from mains.
2. Remove the wire racks as described. See *Cleaning the oven, page 28*.



3. Remove the protective glass cover with a screwdriver.
4. Pull out oven lamp and replace it with new one.
5. Install the glass cover and then the wire racks.

## 7 Troubleshooting

### **Oven emits steam when it is in use.**

- It is normal that steam escapes during operation. >>> *This is not a fault.*

### **Product emits metal noises while heating and cooling.**

- When the metal parts are heated, they may expand and cause noise. >>> *This is not a fault.*

### **Product does not operate.**

- The mains fuse is defective or has tripped. >>> *Check fuses in the fuse box. If necessary, replace or reset them.*
- Product is not plugged into the (grounded) socket. >>> *Check the plug connection.*
- Buttons/knobs/keys on the control panel do not function. >>> *Keylock may be enabled. Please disable it. (See. Using the keylock, page 23 )*

### **Oven light does not work.**

- Oven lamp is defective. >>> *Replace oven lamp.*
- Power is cut. >>> *Check if there is power. Check the fuses in the fuse box. If necessary, replace or reset the fuses.*

### **Oven does not heat.**

- Function and/or Temperature are not set. >>> *Set the function and the temperature with the Function and/or Temperature knob/key.*
- Power is cut. >>> *Check if there is power. Check the fuses in the fuse box. If necessary, replace or reset the fuses.*



Consult the Authorised Service Agent or technician with licence or the dealer where you have purchased the product if you can not remedy the trouble although you have implemented the instructions in this section. Never attempt to repair a defective product yourself.





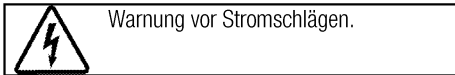
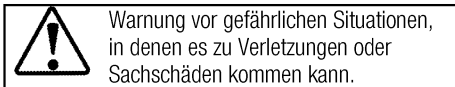
## Bitte zuerst diese Bedienungsanleitung lesen!

Sehr geehrte Kundin, sehr geehrter Kunde,  
vielen Dank für den Kauf eines Beko-Produktes. Wir hoffen, dass dieses Produkt, das mit hochwertiger und hochmoderner Technologie hergestellt wurde, beste Ergebnisse erzielt. Daher bitte die gesamte Bedienungsanleitung und alle beiliegenden Dokumente aufmerksam durchlesen und zum zukünftigen Nachschlagen aufbewahren. Bei Weitergabe des Produktes auch die Bedienungsanleitung mit aushändigen. Alle Warnungen und Informationen in der Bedienungsanleitung einhalten.

Bitte beachten, dass diese Bedienungsanleitung für unterschiedliche Modelle geschrieben wurde. Unterschiede zwischen den verschiedenen Modellen werden natürlich in der Anleitung erwähnt.

### Die Symbole

In dieser Anleitung verwenden wir folgende Symbole:



**Arçelik A.Ş.**  
Karaağaç caddesi No:2-6  
34445 Sütlüce/Istanbul/TURKEY  
Made in TURKEY

**1 Wichtige Sicherheits- und Umwelthinweise 4**

Allgemeine Sicherheit .....	4
Elektrische Sicherheit .....	4
Produktsicherheit .....	5
Bestimmungsgemäße Verwendung .....	7
Sicherheit von Kindern .....	7
Altgeräte entsorgen .....	8
Verpackungsmaterialien entsorgen .....	8

**2 Allgemeine Informationen 9**

Geräteübersicht .....	9
Lieferumfang .....	10
Technische Daten .....	11

**3 Installation 12**

Vor der Installation .....	12
Einbauen und Anschließen .....	13
Transport .....	14

**4 Vorbereitungen 16**

Tipps zum Energiesparen .....	16
Erste Inbetriebnahme .....	16
Zeiteinstellung .....	16
Erstreinigung des Gerätes .....	17
Erstaufheizung .....	17

**5 Bedienung des Backofens 18**

Allgemeine Hinweise zum Backen, Braten und Grillen .....	18
So bedienen Sie den Backofen .....	18
Betriebsarten .....	21
Das Bedienfeld .....	23
Tastensperre Kindersicherung .....	25
Alarmfunktion .....	25
Garzeitentabelle .....	26
Kochbuch-Funktionen .....	28
Einstellungsmenü .....	29
So bedienen Sie den Grill .....	29
Garzeitentabelle zum Grillen .....	30

**6 Reinigung und Wartung 31**

Allgemeine Hinweise .....	31
Bedienfeld reinigen .....	31
Backofen reinigen .....	31
Backofentür ausbauen .....	32
Türinnenscheibe ausbauen .....	33
Beleuchtung des Backofens auswechseln .....	34

**7 Problemlösungen 35**

## **1 Wichtige Sicherheits- und Umwelthinweise**

Dieser Abschnitt enthält Hinweise, die für die Sicherheit des Benutzers und anderer Personen unerlässlich sind. Diese Hinweise müssen beachtet werden, damit es nicht zu Verletzungen oder Sachschäden kommt.

Bei Nichteinhaltung dieser Anweisungen erlöschen sämtliche Garantieansprüche.

### **Allgemeine Sicherheit**

- Dieses Gerät darf von Kindern (ab acht Jahren) oder Personen bedient werden, die unter körperlichen, sensorischen oder geistigen Einschränkungen leiden oder denen es an der nötigen Erfahrung und Wissen im Umgang mit solchen Geräten mangelt, wenn solche Personen beaufsichtigt werden und, zuvor gründlich mit der sicheren Bedienung des Gerätes vertraut gemacht wurden und sich der damit verbundenen Gefahren voll und ganz bewusst sind. Kinder dürfen nicht mit dem Gerät spielen. Reinigungs- und Wartungsarbeiten dürfen von Kindern nicht ohne Aufsicht eines Erwachsenen durchgeführt werden.
- Installation und Reparaturen müssen grundsätzlich vom

autorisierten Kundendienst ausgeführt werden. Der Hersteller haftet nicht für Schäden, die durch den Eingriff nicht autorisierter Personen entstehen; zudem kann dadurch die Garantie erlöschen. Vor der Installation aufmerksam alle Anweisungen lesen.

- Gerät nicht nutzen, falls es nicht ordnungsgemäß funktioniert oder sichtbare Beschädigungen aufweist.
- Nach jeder Benutzung prüfen, ob die Funktionsknöpfe des Produktes ausgeschaltet sind.

### **Elektrische Sicherheit**

- Falls das Produkt einen Fehler aufweist, sollten es bis zur Reparatur durch einen autorisierten Kundendienstmitarbeiter nicht in Betrieb genommen werden. Es besteht Stromschlaggefahr!
- Schließen Sie das Produkt nur an eine geerdete Steckdose an, deren Spannung und Schutz den Angaben unter „Technische Daten“ entsprechen. Lassen Sie durch einen qualifizierten Elektriker eine Erdung vornehmen. Unser Unternehmen haftet nicht für Probleme, die durch ein nicht entsprechend den örtlichen

Richtlinien geerdetes Produkt entstehen.

- Reinigen Sie das Produkt niemals, indem Sie Wasser darauf verteilen oder schütten! Es besteht Stromschlaggefahr!
- Berühren Sie den Stecker niemals mit feuchten oder gar nassen Händen! Trennen Sie das Kabel niemals durch Ziehen am Kabel; greifen und ziehen Sie immer am Stecker.
- Das Produkt darf während Installation, Wartung, Reinigung und Reparatur nicht an eine Steckdose angeschlossen sein.
- Falls das Netzkabel des Produktes beschädigt ist, muss es zur Vermeidung von Gefahren vom Hersteller, einem Kundendienstmitarbeiter oder vergleichbar qualifizierten Personen ausgetauscht werden.
- Das Gerät muss so installiert sein, dass es vollständig vom Netzwerk getrennt werden kann. Die Trennung muss entsprechend den Baurichtlinien entweder durch einen Netzstecker oder einen in der festen elektrischen Installation eingebauten Schalter ermöglicht werden.
- Die Rückseite des Ofens wird im Betrieb heiß. Achten Sie darauf, dass der Elektroanschluss die Rückseite nicht berührt;

andernfalls kann der Anschluss beschädigt werden.

- Klemmen Sie das Netzkabel nicht zwischen Backofentür und Rahmen ein; führen Sie es nicht über heiße Oberflächen. Andernfalls kann die Kabelisolierung schmelzen und in Folge eines Kurzschlusses einen Brand verursachen.
- Jegliche Arbeiten an elektrischen Geräten und Systemen sollten von autorisierten und qualifizierten Personen ausgeführt werden.
- Schalten Sie das Gerät bei Schäden aus, unterbrechen Sie die Stromversorgung. Schalten Sie dazu die Sicherungen im Haus ab.
- Stellen Sie sicher, dass die Sicherungsangaben mit dem Produkt kompatibel sind.

### **Produktsicherheit**

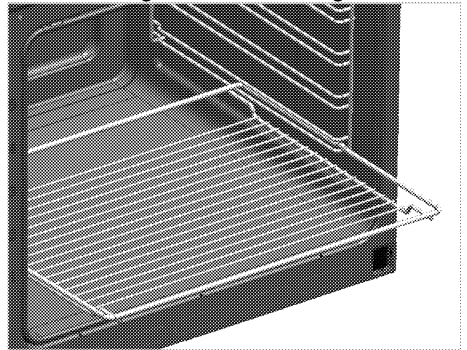
- Das Gerät und seine zugänglichen Teile werden während des Betriebs heiß. Keine Heizelemente berühren. Kinder unter 8 Jahren fernhalten, sofern nicht kontinuierlich beaufsichtigt.
- Produkt niemals nutzen, wenn Urteilsvermögen oder Koordination durch Alkohol und/oder Drogen beeinträchtigt sind.
- Bei alkoholischen Getränken in den Gerichten entsprechend

vorsichtig sein. Alkohol verdampft bei hohen Temperaturen und kann durch Entzünden bei Kontakt mit heißen Oberflächen Feuer verursachen.

- Keine brennbaren Materialien in der Nähe des Produktes aufstellen, da die Seiten während des Gebrauchs heiß werden können.
- Während des Gebrauchs wird das Gerät heiß. Keine Heizelemente im Inneren des Backofens berühren.
- Darauf achten, dass keine Belüftungsschlitze blockiert werden.
- Keine geschlossenen Dosen und Glasgefäße im Ofen erhitzen. Der in der Dose/im Glasgefäß entstehende Druck könnte Dose/Glasgefäß bersten lassen.
- Backbleche, Gerichte und Alufolie nicht direkt auf den Boden des Backofens stellen. Der Hitzestau kann den Boden des Backofens beschädigen.
- Zur Reinigung der Backofen-Glastür keine aggressiven scheuernden Reiniger oder scharfen Metallschaber verwenden, da diese die Oberfläche zerkratzen und so das Glas springen lassen können.
- Zur Reinigung des Gerätes keine Dampfreiniger verwenden;

andernfalls besteht Stromschlaggefahr.

- Rost und Backblech richtig einsetzen  
Es ist wichtig, dass Rost und/oder Blech richtig in den Einschüben sitzen. Schieben Sie Rost oder Blech zwischen zwei Schienen ein, vergewissern Sie sich, dass insbesondere der Rost gerade sitzt, bevor Sie Lebensmittel darauf legen; bitte schauen Sie sich die folgende Abbildung an.



- Produkt nicht verwenden, falls das Glas der Fronttür entfernt oder gesprungen ist.
- Griff der Ofentüre nicht zum Trocknen von Geschirrtüchern verwenden. Keine Geschirrtücher, Handschuhe oder vergleichbare Textilprodukte aufhängen, wenn die Grillfunktion bei geöffneter Tür arbeitet.
- Beim Hineingeben oder Herausnehmen von Gerichten in den/aus dem heißen Ofen immer

hitzebeständige Handschuhe verwenden.

- Zur Vermeidung von Stromschlaggefahr vor dem Auswechseln der Lampe sicherstellen, dass das Gerät abgeschaltet ist.
- Vor dem Reinigungszyklus mit einem feuchten Tuch Schmutz von den Außenflächen und vom Ofeninnenraum abwischen. Jegliches Zubehör aus dem Ofen entfernen.
- Heiße Oberflächen verursachen Verbrennungen! Produkt während der Selbstreinigung nicht berühren und Kinder fernhalten. Mindestens 30 Minuten mit dem Entfernen von Resten warten.
- Während der Pyrolysereinigung können Oberflächen heißer werden als beim herkömmlichen Einsatz. Kinder fernhalten.

Brandschutzvorkehrungen des Produktes:

- Sicherstellen, dass der Stecker richtig in die Steckdose eingesteckt ist und keine Funken erzeugt.
- Keine beschädigten oder abgeschnittenen Kabel bzw. Verlängerungskabel verwenden; nur das Originalkabel einsetzen.
- Beim Anschließen des Produktes sicherstellen, dass sich keine

Flüssigkeit oder Feuchtigkeit am Stecker befindet.

### **Bestimmungsgemäße Verwendung**

- Dieses Gerät wurde für den reinen Hausgebrauch entwickelt. Eine gewerbliche Nutzung ist nicht zulässig.
- Dieses Gerät dient ausschließlich der Zubereitung von Speisen. Es darf nicht zu anderen Zwecken eingesetzt werden.
- Benutzen Sie das Gerät nicht zum Vorwärmen von Tellern, hängen Sie keine Küchentücher, Handtücher und dergleichen zum Trocknen oder Anwärmen an die Griffe.
- Der Hersteller haftet nicht für Schäden, die durch unsachgemäßen Gebrauch oder falsche Bedienung verursacht werden.
- Das Gerät ist zum Garen, Auftauen, Backen, Braten und Grillen von Lebensmitteln geeignet.

### **Sicherheit von Kindern**

- Verschiedene Teile des Gerätes werden während des Gebrauchs heiß. Daher kleine Kinder vom Gerät fernhalten.
- Verpackungsmaterialien können eine Gefahr für Kinder darstellen. Sämtliche Verpackungsmaterialien an einem sicheren Ort und außerhalb der

Reichweite von Kindern aufbewahren.

- Elektrische Produkte können eine Gefahr für Kinder darstellen. Kinder im Betrieb daher unbedingt vom Gerät fernhalten. Kinder nicht mit dem Gerät spielen lassen.
- Keine Gegenstände auf das Gerät stellen, die Kinder erreichen können.
- Wenn die Ofentür geöffnet ist, keine schweren Gegenstände darauf ablegen und keine Kinder darauf sitzen lassen. Das Gerät kann kippen oder die Ofentür oder die Türscharniere können beschädigt werden.

## **Altgeräte entsorgen**

### **Erfüllung von WEEE-Vorgaben zur Entsorgung von Altgeräten:**



Dieses Produkt erfüllt die Vorgaben der EU-WEEE-Direktive (2012/19/EU). Das Produkt wurde mit einem Klassifizierungssymbol für elektrische und elektronische Altgeräte (WEEE) gekennzeichnet. Dieses Gerät wurde aus hochwertigen Materialien hergestellt, die wiederverwendet und recycelt werden können. Entsorgen Sie das Gerät am Ende seiner Einsatzzeit nicht mit dem regulären Hausmüll; geben Sie es stattdessen bei einer Sammelstelle zur Wiederverwertung von elektrischen und elektronischen Altgeräten ab. Ihre Stadtverwaltung informiert Sie gerne über geeignete Sammelstellen in Ihrer Nähe.

### **Einhaltung von RoHS-Vorgaben:**

Das von Ihnen erworbene Produkt erfüllt die Vorgaben der EU-RoHS Direktive (2011/65/EU). Es enthält keine in der Direktive angegebenen gefährlichen und unzulässigen Materialien.

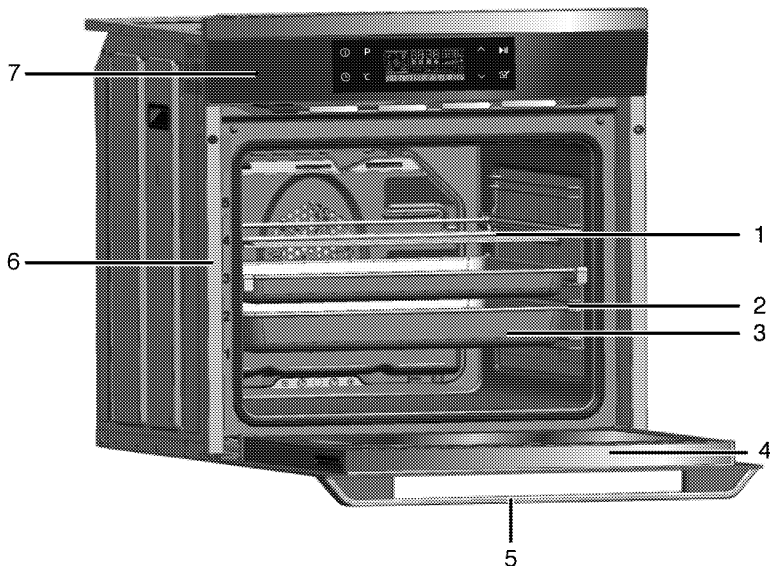
### **Verpackungsmaterialien entsorgen**

- Die Verpackung des Gerätes besteht aus wiederverwertbaren Materialien. Entsorgen Sie diese vorschriftsgemäß und entsprechend sortiert. Entsorgen Sie solche Materialien nicht mit dem normalen Hausmüll.

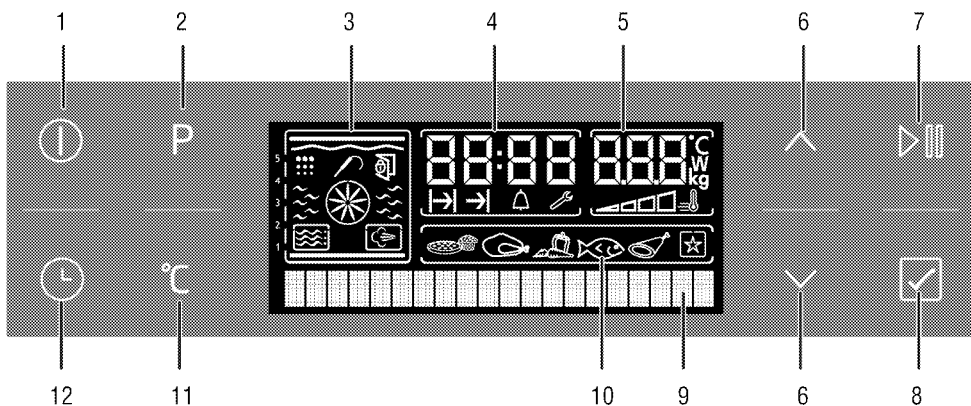


## 2 Allgemeine Informationen

### Geräteübersicht



- |   |             |   |                    |
|---|-------------|---|--------------------|
| 1 | Gitterrost  | 5 | Griff              |
| 2 | Einschübe   | 6 | Einschubpositionen |
| 3 | Backblech   | 7 | Bedienfeld         |
| 4 | Backofentür |   |                    |



- |   |   |    |  |
|---|---|----|--|
| 1 | Ein-/Austaste                             | 9  | Textanzeige                              |
| 2 | Programmähltaste                          | 10 | Lebensmittelauswahl                      |
| 3 | Funktionsanzeige                          | 11 | Temperatur/Gewicht- und Schnellheiztaste |
| 4 | Uhrzeitanzeige                            | 12 | Zeiteinstelltaste                        |
| 5 | Temperatur-/Gewichtsanzeige               |    |  |
| 6 | Temperatur/Zeit erhöhen/vermindern-Tasten |    |  |
| 7 | Start-/Stopptaste                         |    |  |
| 8 | Lebensmittelauswahl                       |    |  |

## Lieferumfang

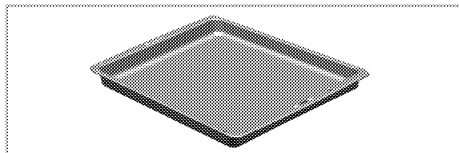


Je nach Modell wird eventuell unterschiedliches Zubehör mitgeliefert. Daher kann es vorkommen, dass nicht sämtliches in der Anleitung erwähntes Zubehör mit Ihrem Gerät geliefert wird.

### 1. Bedienungsanleitung

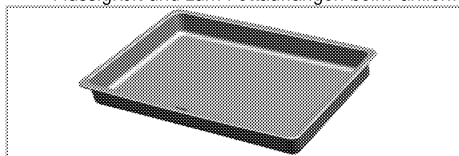
### 2. Backblech

Für Backwaren, Tiefkühlerichte und große Braten.



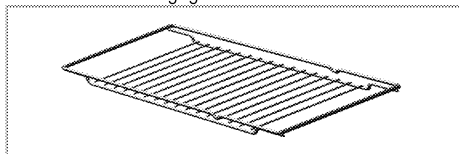
### 3. Tiefes Backblech/Tropfschale

Für Gebäck, große Braten, Gerichte mit viel Flüssigkeit und zum Fettauffangen beim Grillen.



### 4. Gitterrost

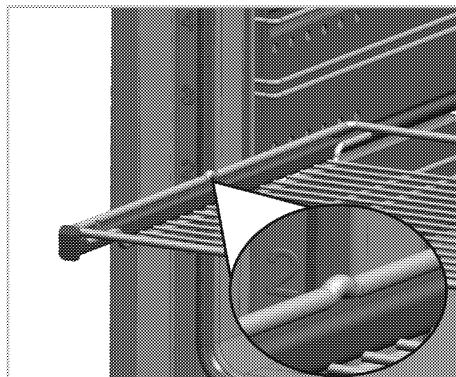
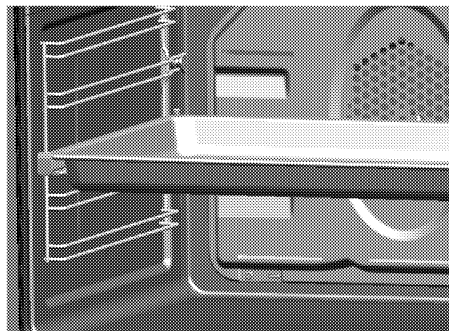
Zum Rösten und Grillen und als Unterlage für Behälter, in denen unterschiedlichste Lebensmittel gegart werden können.



### 5. Gitterrost und Backblech richtig in die Teleskopeinschübe einschieben

Durch die Teleskopeinschübe lassen sich Bleche und Rost besonders leicht einlegen und entfernen.

Achten Sie beim Einsatz von Backblech und Gitterrost mit den Teleskopeinschüben darauf, dass die Stifte am rückwärtigen Teil des Teleskopeinschubs die Kanten von Backblech und Gitterrost berühren.



## Technische Daten

<b>Spannung/Frequenz</b>	<b>220-240 V ~ 50 Hz</b>
Leistungsaufnahme gesamt	3.1kW
Sicherung	Minimum 16 A
Kabeltyp/Kabelquerschnitt	H05VV-FG 3 x 1,5 mm <sup>2</sup>
<b>Außenabmessungen (Höhe/Breite/Tiefe)</b>	<b>595 mm/594 mm/567 mm</b>
Einbaumaße (Höhe/Breite/Tiefe)	**590 oder 600 mm/560 mm/Minimum 550 mm
<b>Hauptofen</b>	<b>Multifunktionsofen</b>
Garraumleuchte	15/25 W
Leistungsaufnahme Grill	2.2 kW

# Allgemeine Hinweise: Energieangaben von Elektroöfen werden gemäß der Richtlinie EN 60350-1 / IEC 60350-1 ermittelt. Die entsprechenden Werte werden unter üblichen Einsatzbedingungen bei Ober-/Unterhitze oder im Umluftbetrieb (sofern vorhanden) ermittelt.  
Die Energieeffizienzklasse wird gemäß Funktion ermittelt: je nachdem, ob das Gerät mit den entsprechenden Funktionen ausgestattet ist. 1. Garen mit Eco-Umluft, 2. Turbo-Niedertemperaturgaren, 3. Turbogaren, 4. Ober-/Unterhitze mit Umluft, 5. Ober-/Unterhitze

\*\* Siehe *Installation, Seite 12*.



Im Zuge der Qualitätsverbesserung können sich technische Daten ohne Vorankündigung ändern.



Die Abbildungen in dieser Anleitung dienen lediglich der Veranschaulichung und können etwas vom tatsächlichen Aussehen des Gerätes abweichen.



Angaben am Produkt oder in der begleitenden Dokumentation wurden unter Laborbedingungen unter Berücksichtigung der zutreffenden Richtlinien ermittelt. Solche Werte können je nach Einsatzumgebung und Nutzungsweise des Gerätes abweichen.

### 3 Installation

Gerät vom nächstgelegenen autorisierten Kundendienst gemäß gültigen Bestimmungen installieren lassen. Andernfalls erlischt die Garantie. Der Hersteller haftet nicht für Schäden, die durch Aktivitäten nicht autorisierter Personen entstehen; zudem kann dadurch die Garantie erlöschen.



Die Vorbereitung des Aufstellungsortes und der elektrischen und Anschlüsse sind Sache des Kunden.



#### GEFAHR:

Die Installation des Gerätes muss in Übereinstimmung mit sämtlichen zutreffenden Vorschriften zur Elektroinstallation erfolgen.



#### GEFAHR:

Gerät vor der Installation auf eventuelle, sichtbare Defekte untersuchen. Falls Defekte vorliegen, darf das Gerät nicht installiert werden.

Beschädigte Geräte müssen grundsätzlich als Sicherheitsrisiko betrachtet werden.

#### Vor der Installation

Das Gerät ist für den Einbau in handelsübliche Küchenmöbel vorgesehen. Zwischen Gerät und angrenzenden Küchenwänden und -möbeln muss ein

Sicherheitsabstand verbleiben. Siehe Abbildung auf der nächsten Seite (Angaben in mm)..

- Oberflächen, Kunststoffbeläge und verwendete Kleber müssen hitzebeständig sein (bis mindestens 100 °C).
- Küchenmöbel müssen waagrecht ausgerichtet und fixiert sein.
- Befindet sich unter dem Backofen eine Schublade, muss zwischen Backofen und Schublade ein Trennboden eingesetzt werden.
- Tragen Sie das Gerät grundsätzlich mit mindestens zwei Personen.



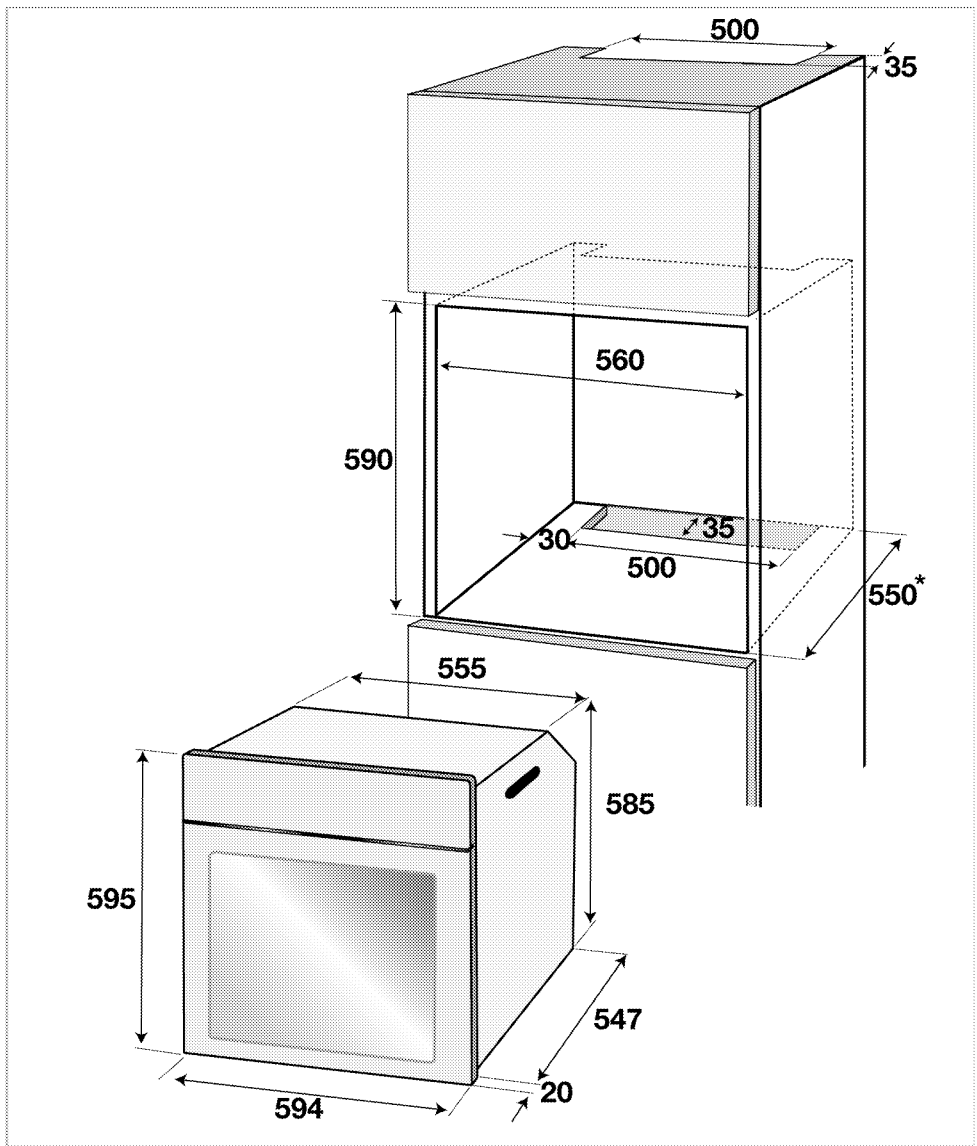
Stellen Sie das Gerät nicht neben Kühl- oder Gefriergeräten auf. Die Wärmeabgabe des Gerätes führt zu steigendem Energieverbrauch der Kühlgeräte.



Missbrauchen Sie die Tür/den Türgriff nicht zum Anheben oder Bewegen des Gerätes.



Bei Geräten mit Drahtgriffen schieben Sie die Griffe nach dem Transport des Gerätes wieder in die Seitenwände zurück.



\* Minimum

## Einbauen und Anschließen

- Die Installation des Gerätes muss in Übereinstimmung mit sämtlichen zutreffenden Vorschriften zur Gas- und Elektroinstallation erfolgen.

## Elektrischer Anschluss

Schließen Sie das Gerät an eine geerdete Schutzkontaktsteckdose/Leitung an, die mit einer

Sicherung passender Stromstärke abgesichert wird, siehe dazu den Abschnitt „Technische Daten“. Lassen Sie die Erdung in jedem Fall von einem qualifizierten Elektriker vornehmen oder überprüfen. Der Hersteller haftet nicht bei Schäden, die durch den Einsatz des Gerätes ohne vorschriftsmäßige Erdung entstehen.

**GEFAHR:**

Stromschlag-, Kurzschluss-, Feuergefahr durch nicht fachgerechte Installation! Das Gerät darf nur von einer autorisierten Fachkraft an das Stromnetz angeschlossen werden. Der korrekte und sichere Betrieb des Gerätes kann nur nach ordnungsgemäßer Installation gewährleistet werden.

**GEFAHR:**

Stromschlag-, Kurzschluss-, Feuergefahr durch Beschädigung des Geräteschlusskabels! Das Netzkabel darf nicht eingeklemmt, geknickt oder gequetscht werden oder mit heißen Geräteteilen in Berührung kommen. Falls das Netzkabel beschädigt sein sollte, muss es von einem qualifizierten Elektriker ausgetauscht werden.

- Der Anschluss muss gemäß nationalen Richtlinien erfolgen.
- Die Netzanschlussdaten müssen mit den Daten auf dem Typenschild des Gerätes übereinstimmen. Das Typenschild finden Sie nach Öffnen der Ofentür an der Unterseite des Gerätes.
- Verwenden Sie nur Netzkabel, die den Angaben im Abschnitt „Technische Daten“ entsprechen.

**GEFAHR:**

Stromschlaggefahr! Trennen Sie das Gerät von der Stromversorgung, bevor Sie an der Elektroinstallation arbeiten.

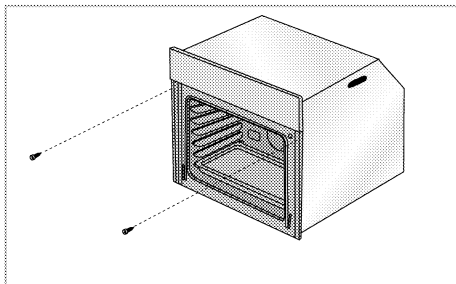


Der Netzstecker muss nach der Installation frei zugänglich bleiben, das Netzkabel darf jedoch nicht über das Gerät hinweg verlegt werden.

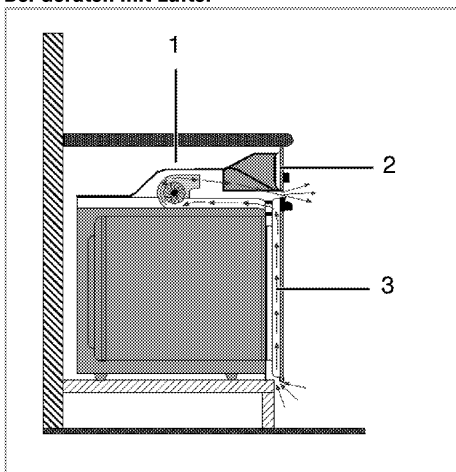
Stecken Sie den Netzstecker in die Steckdose.

**Gerät installieren**

1. Schieben Sie den Backofen in die vor-gesehene Nische/Küchenschrank, richten Sie ihn richtig aus und fixieren Sie ihn – achten Sie dabei unbedingt darauf, dass das Netzkabel nicht beschädigt oder eingeklemmt wird.



Fixieren Sie den Backofen wie in der Abbildung gezeigt mit zwei Schrauben.

**Bei Geräten mit Lüfter**

- 1 Lüfter
- 2 Bedienfeld
- 3 Tür

Der integrierte Lüfter kühlt den Einbauschränk und die Vorderseite des Gerätes.



Der Kühlungslüfter läuft auch nach dem Abschalten des Backofens noch etwa 20 bis 30 Minuten lang nach.

Wenn Sie Lebensmittel Timer-programmiert zubereiten, schaltet sich gemeinsam mit den restlichen Funktionen auch der Lüfter zum Ende der Garzeit ab.

**Endkontrolle**

1. Schalten Sie die entsprechende Sicherung ein.
2. Prüfen Sie die Funktion.

**Transport**

- Bewahren Sie den Originalkarton auf, falls Sie das Gerät künftig transportieren müssen. Halten Sie sich an die Hinweise auf dem Karton. Falls

Sie den Originalkarton nicht mehr besitzen sollten, verpacken Sie das Gerät in Luftpolsterfolie oder starken Karton, anschließend gut mit Klebeband sichern.

- Damit Gitterroste und Bleche nicht zu Beschädigungen der Ofentür führen, schützen Sie die Ofentür von innen mit einem passenden Stück Karton. Fixieren Sie die Ofentür mit Klebeband.
- Verwenden Sie die Tür/den Türgriff nicht zum Anheben oder Bewegen des Gerätes.



Keine sonstigen Gegenstände auf dem Gerät abstellen. Das Gerät muss aufrecht transportiert werden.



Überprüfen Sie das Gerät nach dem Transport genau, überzeugen Sie sich davon, dass es nicht zu Beschädigungen gekommen ist.

## 4 Vorbereitungen

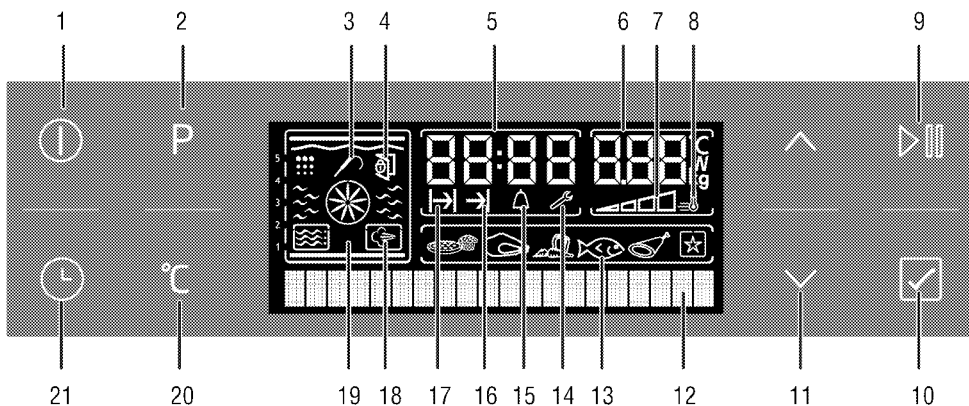
### Tipps zum Energiesparen

Mit den folgenden Hinweisen nutzen Sie Ihr Gerät umweltbewusst und energiesparend:

- Verwenden Sie am besten dunkles oder emailliertes Kochgeschirr – dies leitet die Wärme besser.
- Lassen Sie den Backofen vorheizen, wenn dies durch Bedienungs- oder Zubereitungsanleitung empfohlen wird.
- Verzichten Sie bei der Zubereitung auf häufiges Öffnen der Backofentür.
- Bereiten Sie mehrere Gerichte gleichzeitig zu, sofern dies möglich ist. Dazu stellen Sie einfach mehrere Behälter auf den Gitterrost.

- Größere Gerichte und solche, deren Geschmack sich nicht gegenseitig beeinflussen soll, bereiten Sie nacheinander zu. Der Backofen ist dann bereits vorgeheizt.
- Sie können zusätzliche Energie sparen, indem Sie den Backofen ein paar Minuten vor Ende der Garzeit bereits abschalten. Verzichten Sie während der Zubereitung möglichst auf ein Öffnen der Backofentür.
- Tauen Sie gefrorene Gerichte vor der Zubereitung auf.

### Erste Inbetriebnahme Zeiteinstellung



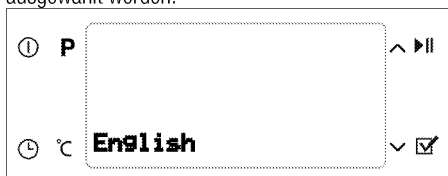
- |    |   |    |  |
|----|---|----|--|
| 1  | Ein-/Ausaste                              | 17 | Garzeitsymbol                            |
| 2  | Programmwahltaete                         | 18 | Dampfgarensymbol (*)                     |
| 3  | Temperaturfühlersymbol (*)                | 19 | Funktionsanzeige                         |
| 4  | Türsperrsymbol (*)                        | 20 | Temperatur/Gewicht- und Schnellheiztaste |
| 5  | Uhrzeitanzeige                            | 21 | Zeiteinstelltaste                        |
| 6  | Temperatur-/Gewichtsanzeige               |    |  |
| 7  | Temperatursymbol                          |    |  |
| 8  | Schnellheizensymbol (Schnellheizen)       |    |  |
| 9  | Start-/Stopptaste                         |    |  |
| 10 | Lebensmittelauswahl                       |    |  |
| 11 | Temperatur/Zeit erhöhen/vermindern-Tasten |    |  |
| 12 | Textanzeige                               |    |  |
| 13 | Lebensmittelauswahl                       |    |  |
| 14 | Einstellungssymbol                        |    |  |
| 15 | Alarmsymbol                               |    |  |
| 16 | Garzeitensymbol                           |    |  |

\* Variiert je nach Produktmodell.


Schließen Sie die Stromversorgung an, schalten Sie die entsprechende Sicherung ein.

Die Sprache muss vor dem Einstellen der Zeit ausgewählt werden.


Die Sprache muss vor dem Einstellen der Zeit ausgewählt werden.





Beim ersten Einschalten des Ofens erscheint „English“ in der Textanzeige (12). Wählen Sie die gewünschte Sprache mit  (11). (10)


Bestätigen Sie die Sprachauswahl mit .

 Die Sprachauswahl erscheint nur beim ersten Einschalten. Im „Einstellungen“-Menü können Sie die Sprache zu einem späteren Zeitpunkt bei Bedarf auch wieder ändern.  
*Einstellungsmenü, Seite 29.*


### Zeit einstellen



Nachdem Sie die Sprache ausgewählt haben, erscheint „Zeiteinstellung“ in der Textanzeige (12). Geben Sie die aktuelle Uhrzeit mit  (11) ein.

 Die Uhrzeit muss eingestellt werden, bevor Sie den Backofen benutzen können. Solange die Zeit nicht eingestellt wird, leuchtet das Einstellungs-Symbol (14) weiter. Das Symbol verschwindet nach der Zeiteinstellung.


### Erstreinigung des Gerätes

 Oberflächenbeschädigung durch Reinigungsmittel und -geräte.  
Keine scharfen Reinigungsmittel, Scheuerpulver, -milch oder spitzen Gegenstände verwenden.

1. Entfernen Sie sämtliches Verpackungsmaterial.
2. Geräteoberflächen mit einem feuchten Tuch oder Schwamm abwischen und mit einem Tuch trocknen.

### Erstaufheizung

Lassen Sie das Gerät etwa 30 Minuten lang aufheizen, schalten Sie es anschließend ab. Auf diese Weise werden sämtliche Rückstände und Beschichtungen durch Abbrennen entfernt.

 **WARNUNG**  
Verbrennungsgefahr durch heiße Oberflächen!  
Heiße Oberflächen des Gerätes nicht berühren.  
Halten Sie Kinder vom Gerät fern, verwenden Sie Ofenhandschuhe.

### Elektroofen

1. Nehmen Sie sämtliches Zubehör (z. B. Backbleche und Gitterrost) aus dem BackOfen heraus.
2. Schließen Sie die BackOfentür.
3. Wählen Sie die Einstellung „Ober- und Unterhitze“.
  1. Wählen Sie die höchste Ofentemperatur; Siehe "So bedienen Sie den Backofen, Seite 18".
  2. Lassen Sie den BackOfen etwa 30 Minuten lang arbeiten.
  3. Schalten Sie den BackOfen ab; Siehe "So bedienen Sie den Backofen, Seite 18"

### Grill

1. Nehmen Sie sämtliches Zubehör (z. B. Backbleche und Gitterrost) aus dem BackOfen heraus.
2. Schließen Sie die BackOfentür.
3. Wählen Sie die höchste Temperatureinstellung; Siehe "So bedienen Sie den Grill, Seite 29".
4. Lassen Sie den Grill etwa 30 Minuten lang arbeiten.
5. Schalten Sie den Grill ab; Siehe "So bedienen Sie den Grill, Seite 29"

 Beim ersten Aufheizen des Ofens kann es zu Rauch- und Geruchsentwicklung kommen.  
Achten Sie auf gute Belüftung.

## 5 Bedienung des Backofens

### Allgemeine Hinweise zum Backen, Braten und Grillen



#### WARNUNG

Verbrennungsgefahr durch heiße Oberflächen!  
Heiße Oberflächen des Gerätes nicht berühren.  
Halten Sie Kinder vom Gerät fern, verwenden Sie Ofenhandschuhe.



#### GEFAHR:

Verbrühungsgefahr durch heißen Dampf!  
Öffnen Sie die Gerätetür im oder kurz nach dem Betrieb zuerst nur ein kleines Stück, um den Dampf abziehen zu lassen.

### Tipps zum Backen

- Benutzen Sie Metallgeschirr mit Antihafbeschichtung oder hitzebeständige Silikonformen.
- Nutzen Sie den Platz auf dem Gitterrost gut aus.
- Stellen Sie Backformen in die Mitte des Gitterrostes.
- Wählen Sie die richtige Einschubposition, bevor Sie Backofen oder Grill einschalten. Wechseln Sie die Einschubposition nicht, solange der Backofen heiß ist.
- Halten Sie die Backofentür geschlossen.

### Tipps zum Rösten

- Eine Würzmischung aus Zitronensaft und schwarzem Pfeffer sorgt für eine besonders schmackhafte Zubereitung von ganzen Hühnern, Puten und größeren Fleischportionen.
- Fleisch mit Knochen braucht etwa 15 – 30 Minuten länger zum Garen als dieselbe Menge Fleisch ohne Knochen.
- Jeder Zentimeter an Fleischdicke braucht etwa 4 – 5 Minuten mehr an Garzeit.
- Lassen Sie Fleisch nach Ablauf der Garzeit noch etwa 10 Minuten im Backofen ruhen. Der Fleischsaft verteilt sich so gleichmäßiger im Braten und läuft beim Anschneiden nicht aus.
- Fisch stellen Sie auf einem hitzebeständigem Teller möglichst in der mittleren oder unteren Einschubposition in den Backofen.

### Tipps zum Grillen

Fleisch, Geflügel und Fisch werden durch das Grillen schnell braun, bekommen eine schöne Kruste und trocknen dabei nicht aus. Insbesondere flache Stücke, Fleischspieße und Würstchen sowie Gemüse mit hohem Wasseranteil (wie Tomaten oder Zwiebeln) sind zum Grillen gut geeignet.

- Verteilen Sie das Grillgut so auf dem Gitterrost, dass es nicht über die Kanten des Gitterrostes hinausragt.
- Schieben Sie den Gitterrost (mit darunter eingeschobener Tropfschale) in die richtige Einschubposition. Vergessen Sie nicht, die Tropfschale beim Grillen in den untersten Einschub einzuschieben, damit das Fett aufgefangen wird. Geben Sie etwas Wasser in die Tropfschale – so wird die Reinigung einfacher.



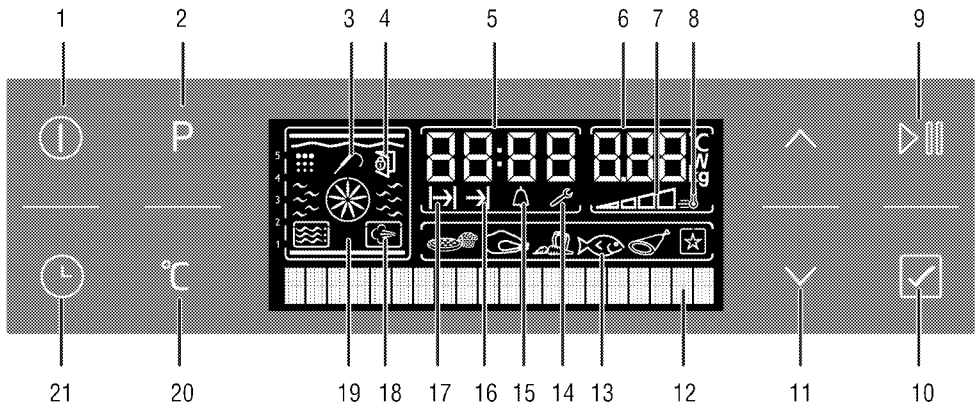
#### Feuergefahr durch ungeeignetes Grillgut!

Nur für die intensive Grillhitze geeignetes Grillgut verwenden.

Grillgut nicht zu weit nach hinten in den Grill legen. Dort wird es besonders heiß, und fettes Grillgut kann in Brand geraten.

### So bedienen Sie den Backofen

## Bedienfeld



- 1 Ein-/Austaste
  - 2 Programmwahltaste
  - 3 Temperaturfühlersymbol (\*)
  - 4 Türsperrsymbol (\*)
  - 5 Uhrzeitanzeige
  - 6 Temperatur-/Gewichtsanzeige
  - 7 Temperatursymbol
  - 8 Schnellheizensymbol (Schnellheizen)
  - 9 Start-/Stopptaste
  - 10 Lebensmittelauswahlstaste
  - 11 Temperatur/Zeit erhöhen/vermindern-Tasten
  - 12 Textanzeige
  - 13 Lebensmittelauswahl
  - 14 Einstellungssymbol
  - 15 Alarmsymbol
  - 16 Garzeitendesymbol
  - 17 Garzeitsymbol
  - 18 Dampfgarensymbol (\*)
  - 19 Funktionsanzeige
  - 20 Temperatur/Gewicht- und Schnellheiztaste
  - 21 Zeiteinstelltaste
- \* Variiert je nach Produktmodell.

### Aktuelle Uhrzeit einstellen

Die Uhrzeit lässt sich bei Bedarf jederzeit neu einstellen.

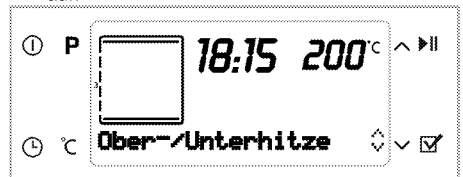
1. Zum Einstellen der aktuellen Uhrzeit drücken Sie die Zeiteinstellungstaste (21) bei ausgeschaltetem Ofen dreimal, bis „Uhrzeit einstellen“ in der Anzeige (12) erscheint.
2. Geben Sie die aktuelle Uhrzeit mit (11) ein.



**i** Nach weniger als 20 Minuten andauernden Stromausfällen muss die Uhrzeit nicht neu eingestellt werden. Die Uhrzeit kann nur eingestellt werden, wenn der Ofen nicht arbeitet.

### Temperatur und Betriebsart einstellen

1. Schalten Sie den Ofen mit der Ein-/Austaste (1) ein. Beim Einschalten erscheinen die Ober- und Unterhitze-Symbole in der Funktionsanzeige (19), „Ober-/unterhitze“ erscheint in der Textanzeige (12). In der Temperatur-/Gewichtsanzeige (6) wird die empfohlene Temperatur dargestellt. In der Funktionsanzeige (19) leuchten Symbole für aktive Heizelemente und empfohlene Einschubposition auf.

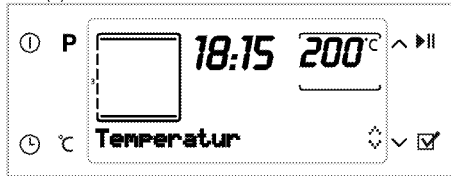


**i** Wenn innerhalb 20 Sekunden keine Einstellungen vorgenommen werden, schaltet sich der Ofen automatisch ab.

2. Wählen Sie mit (11) den gewünschten Betriebsmodus.

Nach der Funktionsauswahl können Sie „Temperatur“, „Garzeit“, „Garzeitende“ und „Schnellheizen“ einstellen.

3. 2. Wechseln Sie mit der Temperatur/Gewicht- und Schnellheiztaste (20) zur Temperaturanzeige.
4. Drücken Sie  (11), bis die gewünschte Temperatur in der Temperatur-/Gewichtsanzeige (6) erscheint.



5. Starten Sie die gewünschte Ofenfunktion mit der Start-/Stopptaste (9). „Garen“ erscheint in der Anzeige.



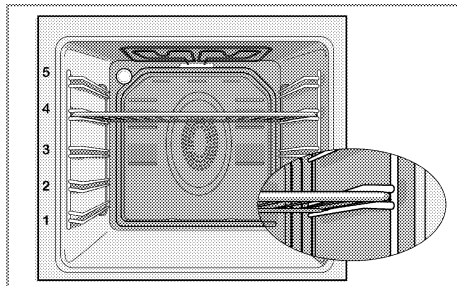
**i** Falls die Backofentür im Betrieb geöffnet wird, erscheint die Warnung „Tür offen“ in der Anzeige.

### Backofen ausschalten

Schalten Sie den Ofen mit der Ein-/Austaste (1) aus.

### Einschubpositionen (bei Modellen mit Grillrost)

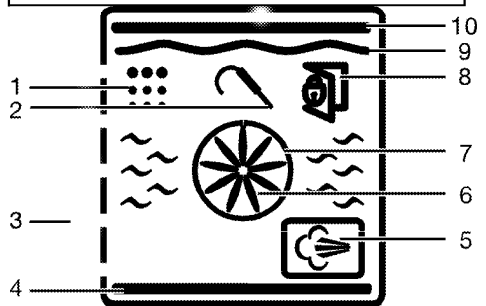
Es ist wichtig, dass der Grillrost richtig in die Einschübe eingesetzt wird. Setzen Sie den Grillrost wie in der Abbildung gezeigt in den Einschub ein. Achten Sie darauf, dass der Grillrost nicht die Rückwand des Ofens berührt. Schieben Sie den Rost daher nur so weit ein, bis sich die Backofentür problemlos schließen lässt – so funktioniert der Grill am besten.



### Funktionstabelle

In der Funktionstabelle finden Sie sämtliche Ofenfunktionen mitsamt den jeweiligen Maximal- und Minimaltemperaturen.

<b>i</b>	Die Funktionen können je nach Modell unterschiedlich ausfallen.
<b>i</b>	Aus Sicherheitsgründen ist die maximale Garzeit bei sämtlichen Betriebsarten (mit Ausnahme von Warmhalten und Niedertemperaturgaren) auf 6 Stunden begrenzt.
<b>i</b>	Wenn Sie Einstellungen ändern, blinken die entsprechenden Symbole in der Anzeige.
<b>i</b>	Bei Stromausfällen wird die aktuelle Betriebsart aufgehoben. Sie müssen den Ofen also wieder neu einstellen.
<b>i</b>	Solange der Ofen arbeitet, kann die aktuelle Uhrzeit nicht eingestellt werden.
<b>i</b>	Falls Sie innerhalb 20 Sekunden keine Einstellungen vornehmen, schaltet sich der Ofen automatisch ab.
<b>i</b>	Die Ofenbeleuchtung leuchtet beim Öffnen der Tür auch dann auf, wenn der Ofen abgeschaltet ist.



- 1 Reinigungspose (\*)
- 2 Temperaturfühlersymbol (\*)
- 3 Einschubpositionen
- 4 Unterhitze
- 5 Dampfgarensymbol (\*)
- 6 Schnellheizlüfter
- 7 Schnellheizelement
- 8 Türsperrsymbol (\*)
- 9 Grillheizelement



Die Funktionen können je nach Modell unterschiedlich ausfallen.

Funktion	Empfohlene Temperatur (°C)	Temperaturbereich (°C)
Normal	200	40-280
Normal + Umluft	175	40-280
Surf	180	40-280
Multi (3D)	205	40-280
Pizza	210	40-280
Grill, groß + Umluft	200	40-280
Grill, groß	280	40-280
Grill	280	40-280
Niedertemperaturgaren/Öko-Umluft	180	160-220
Unterhitze	180	40-220
Warmhalten	60	40-100
Niedertemperaturgaren	100	50-150
Auftauen	-	-

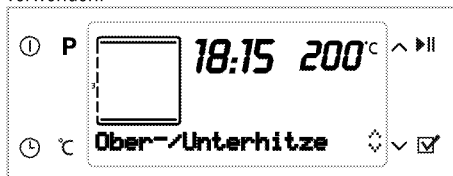
\* Die Funktionen können je nach Modell unterschiedlich ausfallen.

### Betriebsarten

Die hier gezeigte Reihenfolge der Betriebsarten kann je nach Gerätemodell etwas abweichen.

### Ober- und Unterhitze

Das Gargut wird gleichzeitig von oben und unten erhitzt. Diese Betriebsart eignet sich beispielsweise für Kuchen, Gebäck und Aufläufe. Nur ein Blech verwenden.



### Ober- und Unterhitze + Umluft

Durch den Lüfter wird heiße Luft von den oberen und unteren Heizelementen gleichmäßig und schnell im Backofen verteilt. Nur ein Blech verwenden.



### Garen mit Umluft / Surf Funktion

Durch den Lüfter wird heiße Luft vom hinteren Heizelement mit hoher Geschwindigkeit im Backofen verteilt. Diese Betriebsart eignet sich zum Garen auf unterschiedlichen Einschubebenen; in den meisten Fällen ist kein Vorheizen erforderlich. Mehrere Bleche können verwendet werden.



### 3D - Kochen

Oberhitze, Unterhitze und Umluft sind in Betrieb. Das Gargut wird gleichmäßig und schnell von allen Seiten gegart. Nur ein Blech verwenden.



### Pizzastufe

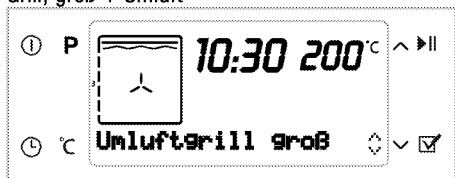
Bei dieser Betriebsart werden Unterhitze und Umluft (hinteres Heizelement) eingesetzt. Besonders zum Backen von Pizza geeignet.



### Grill, groß + Umluft

Durch den Lüfter wird heiße Luft vom Grillelement sehr schnell im Inneren des Backofens verteilt. Diese Betriebsart eignet sich insbesondere zum Grillen größerer Fleischmengen.

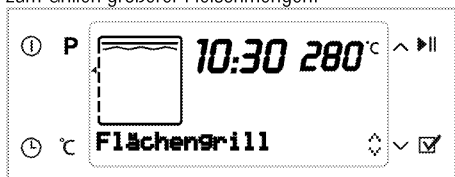
## Grill, groß + Umluft



- Stellen Sie mittelgroße bis große Portionen auf dem richtigen Einschub direkt unter das Grillelement.
- Stellen Sie die maximale Temperatur ein.
- Wenden Sie das Grillgut nach der Hälfte der Garzeit.

## Grill, groß

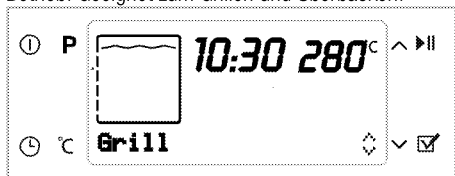
Der große Grill an der Oberseite des Backofens ist in Betrieb. Diese Betriebsart eignet sich insbesondere zum Grillen größerer Fleischmengen.



- Stellen Sie mittelgroße bis große Portionen auf dem richtigen Einschub direkt unter das Grillelement.
- Stellen Sie die maximale Temperatur ein.
- Wenden Sie das Grillgut nach der Hälfte der Garzeit.

## Grill

Der kleine Grill an der Oberseite des Backofens ist in Betrieb. Geeignet zum Grillen und Überbacken.



- Stellen Sie kleine bis mittelgroße Portionen auf dem richtigen Einschub direkt unter das Grillelement.
- Stellen Sie die maximale Temperatur ein.
- Wenden Sie das Grillgut nach der Hälfte der Garzeit.

## Niedertemperaturgaren/Öko-Umluft

Wenn Sie Strom sparen möchten, können Sie diese Funktion statt der üblichen Umluft-Funktion im Temperaturbereich 160 bis 220 °C nutzen. Die Garzeit verlängert sich dabei allerdings ein wenig. Bitte entnehmen Sie die entsprechenden Garzeiten der Tabelle „Niedertemperaturgaren/Öko-Umluft“.



## Unterhitze

Bei dieser Betriebsart wird lediglich das untere Heizelement eingesetzt. Geeignet z. B. für Pizza und zum Nachbräuen von unten.



## Warmhalten

Hiermit können Sie Speisen bei niedriger Temperatur über einen längeren Zeitraum bis zum Servieren warmhalten.



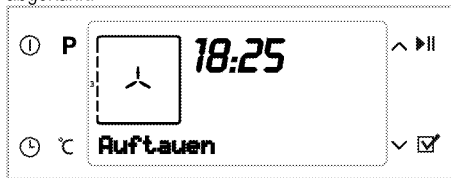
## Niedertemperaturgaren

Zur schonenden Zubereitung von Gerichten bei geringerer Temperatur und verlängerter Garzeit (10 – 15 Stunden).



## Auftauen

Der Backofen wird nicht beheizt. Nur der Lüfter (in der Rückwand) arbeitet.  
Gefrorene Lebensmittel werden langsam bei Zimmertemperatur aufgetaut, heiße Lebensmittel abgekühlt.



## Pyrolyse – Energiesparmodus

Diese Funktion dient der Selbstreinigung Ihres Backofens bei besonders hoher Temperatur. Wir empfehlen dies bei nur leicht verschmutztem Backofen. Bitte lesen Sie vor der Nutzung dieser Funktion die Hinweise im Abschnitt "Backofen reinigen" ab siehe, Seite 32.

## Pyrolyse – Energiesparmodus

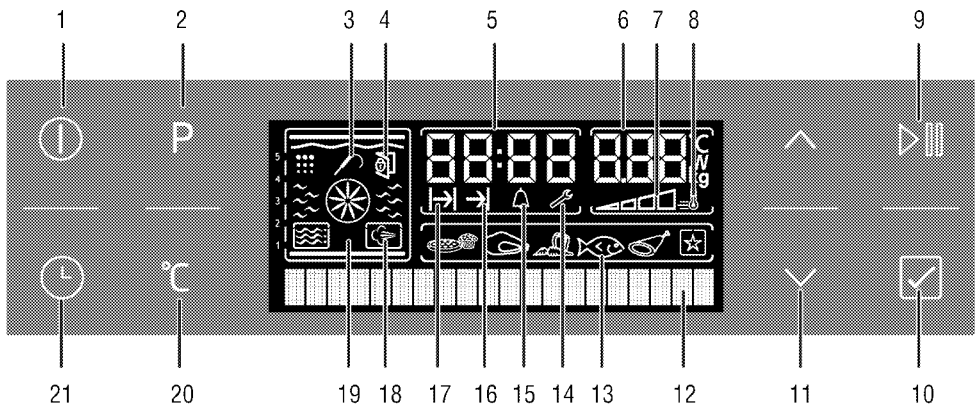


## Pyrolyse

Diese Funktion dient der Selbstreinigung Ihres Backofens bei besonders hoher Temperatur. Bitte lesen Sie vor der Nutzung dieser Funktion die Hinweise im Abschnitt "Backofen reinigen" ab siehe, Seite 32.



## Das Bedienfeld





- |   |                                     |    |  |
|---|-------------------------------------|----|--|
| 1 | Ein-/Austaste                       | 10 | Lebensmittelauswahl taste                  |
| 2 | Programmwahl taste                  | 11 | Temperatur-/Zeit erhöhen/vermindern-Tasten |
| 3 | Temperaturfühlersymbol (*)          | 12 | Textanzeige                                |
| 4 | Türsperrsymbol (*)                  | 13 | Lebensmittelauswahl                        |
| 5 | Uhrzeitanzeige                      | 14 | Einstellungssymbol                         |
| 6 | Temperatur-/Gewichtsanzeige         | 15 | Alarmsymbol                                |
| 7 | Temperatursymbol                    | 16 | Garzeitendesymbol                          |
| 8 | Schnellheizensymbol (Schnellheizen) | 17 | Garzeitsymbol                              |
| 9 | Start-/Stopptaste                   | 18 | Dampfgarensymbol (*)                       |



- 19 Funktionsanzeige
- 20 Temperatur-/Gewicht- und Schnellheiztaste
- 21 Zeiteinstelltaste
- \* Variiert je nach Produktmodell.

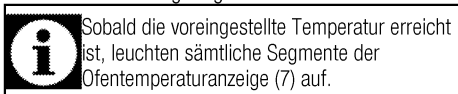
### Halbautomatischer Betrieb

Bei dieser Betriebsart können Sie vorgeben, wie lange der Ofen arbeiten soll (Garzeit).

1. Schalten Sie den Ofen mit der Ein-/Austaste (1) ein.
2. Wählen Sie die gewünschte Funktion mit den Tasten  (11).
3. Zum Einstellen der Garzeit drücken Sie die Zeiteinstelltaste (21), bis „Garzeit“ in der Anzeige (12) erscheint. Das Garzeitsymbol (17) beginnt zu blinken.
4. Stellen Sie die Garzeit mit  (11) ein. Das Garzeitsymbol (17) leuchtet nach dem Einstellen der Garzeit auf.



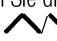

5. Geben Sie die Speisen in den Ofen, schließen Sie die Ofentür.
6. Zum Einstellen der Temperatur drücken Sie die Temperatur-/Gewicht- und Schnellheiztaste (20), bis „Temperatur“ in der Anzeige erscheint.
7. Stellen Sie die gewünschte Temperatur mit den Tasten  /  (11) ein.
8. Starten Sie das Gerät mit der Start-/Stopptaste (9). „Garen“ erscheint in der Anzeige.  
» Der Ofen heizt sich bis zur vorgegebenen Temperatur auf und hält diese Temperatur bis zum eingestellten Garzeitende. Während des Garens bleibt die Ofenbeleuchtung eingeschaltet.



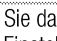

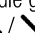
9. Nach Ablauf der Garzeit erscheint „Guten Appetit. Mit  fortsetzen“ in der Anzeige, Sie hören einen Signalton.
10. Zum Abstellen des Alarmsignals drücken Sie eine beliebige Taste. Wenn Sie die Start-/Stopptaste (9) betätigen, arbeitet der Ofen in der ausgewählten Betriebsart weiter. Der Signalton schaltet sich ab.
11. Wenn Sie die Start-/Stopptaste (9) nicht betätigen, schaltet sich der Ofen automatisch ab, die Uhrzeit wird angezeigt.

### Vollautomatischer Betrieb

Bei dieser Betriebsart können Sie Garzeit und Garzeitende vorgeben.

1. Schalten Sie den Ofen mit der Ein-/Austaste (1) ein.
2. Wählen Sie die gewünschte Funktion mit den Tasten  (11).
3. Zum Einstellen der Garzeit drücken Sie die Zeiteinstelltaste (21), bis „Garzeit“ in der Anzeige (12) erscheint. Das Garzeitsymbol (17) beginnt zu blinken.
4. Stellen Sie die Garzeit mit  (11) ein.  
» Das Garzeitsymbol (17) leuchtet nach dem Einstellen der Garzeit auf.
5. Zum Einstellen des Garzeitendes drücken Sie die Zeiteinstelltaste (21) mehrmals kurz, bis „Endzeit“ in der Anzeige (12) erscheint. Das Garzeitendesymbol (16) beginnt zu blinken.



6. Stellen Sie das Garzeitende mit  (11) ein.  
» Nach der Einstellung des Garzeitendes erscheint das Garzeitendesymbol (16) in der Anzeige.
7. Geben Sie die Speisen in den Ofen, schließen Sie die Ofentür.
8. Zum Einstellen der Temperatur drücken Sie die Temperatur-/Gewicht- und Schnellheiztaste (20), bis „Temperatur“ in der Anzeige erscheint. Stellen Sie die gewünschte Temperatur mit den Tasten  /  (11) ein.
9. Starten Sie das Gerät mit der Start-/Stopptaste (9). „Warten“ erscheint in der Anzeige.  
» Der Ofentimer berechnet die richtige Startzeit anhand von Garzeitende und Garzeit automatisch.
10. Beim Erreichen der Startzeit wird der ausgewählte Betriebsmodus automatisch eingestellt, „Garen“ erscheint in der Anzeige, der Ofen wird auf die festgelegte Temperatur vorgeheizt. Diese Temperatur wird bis zum Garzeitende beibehalten. Während des Garens bleibt die Ofenbeleuchtung eingeschaltet.



11. Nach Ablauf der Garzeit erscheint „Guten Appetit. Mit  fortsetzen“ in der Anzeige, Sie hören einen Signalton.



- Zum Abstellen des Alarmsignals drücken Sie eine beliebige Taste. Wenn Sie die Start-/Stopptaste (9) betätigen, arbeitet der Ofen in der ausgewählten Betriebsart weiter. Der Signalton schaltet sich ab.
- Wenn Sie die Start-/Stopptaste (9) nicht betätigen, schaltet sich der Ofen automatisch ab, die Uhrzeit wird angezeigt.

**i** Falls Sie die halbautomatische oder automatische Programmierung wieder abbrechen möchten, müssen Sie die Garzeit zurücksetzen. Alternativ können Sie den Ofen auch mit der Ein-/Austaste (1) abschalten.

### Schnellheizen

Mit der Schnellheizen-Funktion bringen Sie den Ofen schneller auf die gewünschte Temperatur; sehr praktisch beim Vorheizen.

**i** Bei den Betriebsarten Auftauen, Niedertemperaturgaren und Warmhalten kann die Schnellheizen-Funktion nicht ausgewählt werden. Bei einem Stromausfall wird die Schnellheizen-Funktion wieder aufgehoben.

Wählen Sie die gewünschte Betriebsart; anschließend:

- Drücken Sie die Temperatur/Gewicht- und Schnellheiztaste (20) mehrmals kurz hintereinander, bis „Schnellheizen aus“ in der Anzeige erscheint.
- Drücken Sie  $\wedge$  (11) – „Schnellheizen ein“ wird angezeigt. Das Schnellheizen-Symbol (8) leuchtet.



» Das Schnellheizen-Symbol (8) erlischt, sobald der Ofen die gewünschte Temperatur erreicht hat. Der Ofen wechselt nun zu der Betriebsart, die vor dem Einschalten der Schnellheizen-Funktion ausgewählt wurde.

- Zum Abschalten der Schnellheizen-Funktion drücken Sie die Temperatur/Gewicht- und Schnellheiztaste (20) mehrmals kurz, bis „Schnellheizen ein“ in der Anzeige erscheint.
- Drücken Sie  $\wedge$  (11) – „Schnellheizen aus“ wird angezeigt.



» Anschließend erlischt das Schnellheizen-Symbol (8).

### Tastensperre Kindersicherung

Die Tastensperre verhindert die unerwünschte Bedienung des Ofens.

**i** Die Tastensperre können Sie im laufenden Betrieb verwenden und auch dann, wenn der Ofen nicht arbeitet. Auch bei aktiver Tastensperre lässt sich der Ofen nach wie vor mit der Ein-/Austaste (1) abschalten.

### Tastensperre einschalten

- Drücken Sie die Zeiteinstelltaste (21) wiederholt, bis „Tastensperre aus“ in der Anzeige erscheint.
- Aktivieren Sie die Tastensperre mit der Taste  $\wedge$  (11). Nach der Aktivierung erscheint „Tastensperre ein“ in der Anzeige.



» Bei aktiver Tastensperre leuchtet die Meldung „Tastensperre aktiv“ auf, wenn Tasten betätigt werden (mit Ausnahme von  $\surd$ ).

**i** Bei eingeschalteter Tastensperre sind die Bedientasten ohne Funktion. Auch nach einem Stromausfall bleibt die Tastensperre weiterhin eingeschaltet.

### Tastensperre ausschalten

- Schalten Sie die Tastensperre mit der Taste  $\surd$  (11) ab. „Tastensperre aus“ erscheint in der Anzeige.



### Alarmpunktion

Sie können die Alarmpunktion des Gerätes als Kurzzeitwecker einsetzen, wenn Sie sich an etwas erinnern lassen möchten.

Der Kurzzeitwecker hat keinen Einfluss auf die Funktionen des Backofens. Er wird lediglich zur Erinnerung eingesetzt. Dies ist beispielsweise sinnvoll, wenn Sie Speisen nach einer bestimmten Zeit wenden müssen. Nach Ablauf der eingestellten Zeit wird ein Tonsignal ausgegeben.



Der Alarm kann auf maximal 23 Stunden und 59 Minuten eingestellt werden.

### So stellen Sie den Alarm ein:



1. Drücken Sie die Zeiteinstelltaste (21) wiederholt, bis das Alarmsymbol (15) in der Anzeige erscheint.

2. Stellen Sie die gewünschte Zeit mit den Tasten  $\wedge$  /  $\vee$  (11) ein. Nach der Einstellung leuchtet das Alarmsymbol (15) in der Anzeige weiter.
3. Nach Ablauf der Alarmzeit blinkt das Alarmsymbol, ein Tonsignal erklingt.
4. Durch Betätigen einer beliebigen Taste stellen Sie das Tonsignal ab.

### So heben Sie den Alarm auf:

1. Drücken Sie die Zeiteinstelltaste (21) wiederholt, bis das Alarmsymbol (15) in der Anzeige erscheint.
2. Drücken Sie  $\wedge$  (11), bis "00:00" in der Anzeige erscheint.

### Garzeitentabelle



Die angegebenen Werte wurden im Labor ermittelt. Die für Sie richtigen Werte können davon abweichen.

### Backen und Braten



Einschubebene 1 ist die **unterste** Ebene im Backofen.

Gericht	Leistungsstufe		Einschubposition	Temperatur (°C)	Gardauer (ca.-Angabe in Min.)
Kuchenblech*	Einschub 1		3 3	175	25 ... 30
Kuchen, Form*	Einschub 1		2	180	50 ... 60
Kuchen in Backpapier*	Einschub 1		3	175	25 ... 30
	Einschub 2		3 - 5	175	35 ... 40
	Einschub 3		1 - 3 - 5	180	35 ... 40
Biskuitkuchen*	Einschub 1		3	200	8 ... 12
	Einschub 2		3 - 5	175	15 ... 20
	Einschub 3		1 - 3 - 5	175	15 ... 20
Kekse*	Einschub 1		3	175	25 ... 30
	Einschub 2		3 - 5	175	30 ... 40
	Einschub 3		1 - 3 - 5	175	35 ... 45
Teiggebäck*	Einschub 1		2	200	30 ... 40
	Einschub 2		3 - 5	200	45 ... 55
	Einschub 3		1 - 3 - 5	200	45 ... 55
Teilchen*	Einschub 1		2	200	25 ... 35
	Einschub 2		3 - 5	200	35 ... 45
	Einschub 3		1 - 3 - 5	200	35 ... 45
Sauerteig*	Einschub 1		2	200	35 ... 45
Lasagne*	Einschub 1		2 - 3	200	30 ... 40
Pizza*	Einschub 1		2	200 ... 220	15 ... 20
	Einschub 1		3	200	10 ... 15
Rindersteak (ganz)/Braten	Einschub 1		3	25 Min. bei 250 max., dann 180 ... 190	100 ... 120
Lammkeule (Auflauf)	Einschub 1		3	25 Min. bei 250 max., dann 190	70 ... 90
	Einschub 1		3	25 Min. bei 250 max., dann	60 ... 80

				190	
Brathähnchen	Einschub 1		2	15 Min. bei 250 max., dann 180 ... 190	60 ... 70
	Einschub 1		2	15 Min. bei 250 max., dann 180 ... 190	55 ... 65
Pute (5,5 kg)	Einschub 1		1	25 Min. bei 250 max., dann 180 ... 190	150 ... 210
	Einschub 1		1	25 Min. bei 250 max., dann 180 ... 190	150 ... 210
Fisch	Einschub 1		3	200	20 ... 30
	Einschub 1		3	200	20 ... 30

Wenn Sie mit zwei Blechen gleichzeitig arbeiten, wählen Sie den oberen Einschub für das tiefe, den unteren Einschub für das andere Blech.  
\* Wir empfehlen, den Ofen grundsätzlich vorzuheizen.

(\*\*) Wenn vorgeheizt werden muss, lassen Sie den Ofen zu Beginn vorheizen, bis das Ofentempersymbol (8) den letzten Wert erreicht hat.

### Niedertemperaturgaren/Öko-Umluft

Verändern Sie die Temperatureinstellung nach Beginn des Garens nicht mehr, wenn Sie Niedertemperaturgaren/Öko-Umluft nutzen.

Halten Sie die Backofentür beim Niedertemperaturgaren/Öko-Umluft geschlossen.

Gericht	Leistungsstufe		Einschubposition	Temperatur (°C)	Gardauer (ca.-Angabe in Min.)
Fleischaufflauf	Einschub 1		2	160	100 ... 120
Geflügelaufflauf	Einschub 1		2	160	70 ... 100
Weißer Bohnen	Einschub 1		2	160	130 ... 150
Auberginenaufflauf	Einschub 1		2	160	130 ... 150
Steak, ganz	Einschub 1		2	160	110 ... 130
Steak, geschnitten	Einschub 1		2	160	100 ... 120
Kuchen in Backpapier	Einschub 1		2	185	35 ... 40
Kekse	Einschub 1		2	185	30 ... 35
Teiggebäck	Einschub 1		2	200	40 ... 45
Teifchen	Einschub 1		2	200	40 ... 45

- 6 bis 7 Minuten lang vorheizen.
- Weißes und rotes Fleisch muss vor dem Niedertemperaturgaren kräftig von beiden Seiten angebraten werden.
- Weiße Bohnen werden vor dem Niedertemperaturgaren 30 Minuten lang gekocht. Bohnen aus der Dose müssen nicht vorgekocht werden.
- Durch Abdecken der Gargeschirrs lässt sich die Garzeit in den meisten Fällen verkürzen.

### Tipps zum Kuchenbacken


- Falls Gebäck zu trocken wird, erhöhen Sie die Temperatur etwas und vermindern gleichzeitig die Garzeit.
- Werden Kuchen zu feucht, reduzieren Sie die Flüssigkeiten oder senken die Temperatur um 10 °C.
- Sofern die Oberseite des Kuchens zu stark gebräunt wird, backen Sie etwas länger mit reduzierter Temperatur.
- Wenn der Kuchen außen gut gelingt, innen jedoch noch klebrig ist, geben Sie weniger

Flüssigkeit hinzu, senken die Temperatur und verlängern dafür die Garzeit etwas.

### Tipps für Gebäck

- Falls Gebäck zu trocken wird, erhöhen Sie die Temperatur etwas und vermindern gleichzeitig die Garzeit. Befeuchten Sie den Teig mit einer Mischung aus Milch, Öl, Ei und Joghurt.
- Sollte Gebäck sehr lange zum Garen benötigen, achten Sie darauf, dass das Gebäck nicht über die Oberkante des Backblechs hinausragt.
- Wird Gebäck an der Oberseite gut gebräunt, innen jedoch nicht richtig gar, achten Sie darauf, dass sich Flüssigkeiten nicht am Boden des

Gebäcks konzentrieren. Versuchen Sie, Flüssigkeitsmischungen gleichmäßig zwischen den Teigschichten zu verteilen; so erreichen Sie eine gleichmäßige Bräunung.



Halten Sie sich beim Backen an die Betriebsart- und Temperaturempfehlungen der Zubereitungstabelle. Falls die Unterseite nicht ausreichend gebräunt wird, nutzen Sie beim nächsten Mal den nächstniedrigeren Einschub.

### Tipps zur Zubereitung von Gemüse

- Falls Gemüsegerichte zu trocken werden, bereiten Sie diese in einem Geschirr mit Deckel statt auf dem Blech zu. Geschlossene Behälter sorgen dafür, dass nicht zu viel Flüssigkeit verloren wird.
- Falls Gemüsegerichte nicht richtig gar werden, kochen Sie das Gemüse zuvor und geben es erst danach in den Ofen.

### Tipps zum Garen mit Umluft (Surf):

- Dank der gleichmäßigen Hitzeverteilung können Sie mit Blechen in den Einschüben 1, 2 und 3 gleichzeitig arbeiten, wenn Sie Lebensmittel mit geringem Flüssigkeitsanteil (wie Kekse, Küchlein in Papierformen, Biskuits und dergleichen) zubereiten.
- Rohteig und Hefeteigprodukte wie Apfel- und sonstige Obstkuchen können Sie auf zwei Blechen gleichzeitig backen.
- Wenn Sie Lebensmittel mit hohem Flüssigkeitsgehalt oder Hefeteig auf einem Blech mitbacken, gelingt das Backen noch besser. Ein noch gleichmäßigeres Ergebnis erhalten Sie bei Speisen, die beim Backen aufgehen, da heiße Luft auch von den Seiten an die Speisen gelangt – dies ist eine Eigenschaft, die sich mit konventionellen Öfen gewöhnlich nicht erzielen lässt.
- Zusätzlich können Sie Zeit und Energie sparen, indem Sie mehrere Bleche gleichzeitig nutzen und dennoch beste Ergebnisse erzielen.

## Kochbuch-Funktionen

### Lebensmittelfunktionen auswählen

Im Lebensmittelmenü finden Sie Gerichte, die von professionellen Köchen zusammengestellt und im Speicher des Gerätes abgelegt wurden. In diesem Menü werden Temperatur, Einschubposition, Gewicht und sonstige Funktionen automatisch festgelegt.

Gewicht und Garzeit können Sie dabei individuell abändern.

So wählen Sie die Kochbuch-Funktionen:


1. Schalten Sie den Ofen mit der Ein-/Austaste (1) ein.
2. Wählen Sie die Lebensmittelfunktion mit der Programmauswahltaaste (2). Nun erscheint „Kuchen/Brot/Torten“ in der Anzeige, die Lebensmittelauswahl (13) wird markiert.



3. Wählen Sie mit den Tasten  $\wedge$  /  $\vee$  (11) das gewünschte Lebensmittel-Hauptmenü (Kuchen / Brot / Torten, Geflügel, Fleisch, Fisch, Spezialgerichte, Spezial).
4. Bestätigen Sie das ausgewählte Hauptmenü mit der Lebensmittelauswahltaaste (10).
5. Wählen Sie die gewünschte Speise (Kekse, Kuchen, Kleinkuchen etc.) mit  $\wedge$  /  $\vee$  (11).



6. Schieben Sie die Lebensmittel in den Ofen.
7. Starten Sie das Gerät mit der Start-/Stopptaste (9). „Garen“ erscheint in der Anzeige.




Falls Sie die Start-/Stopptaste (9) nicht innerhalb 20 Sekunden betätigen, schaltet sich der Ofen ab.

8. Nach Abschluss des Garens leuchtet „Guten Appetit!“ auf, Sie hören einen Signalton.



Zum Abstellen des Alarmsignals drücken Sie eine beliebige Taste.



Wenn beim Durchblättern der verschiedenen Gerichte „Zurück“ in der Anzeige erscheint, können Sie damit wieder zum nächsthöheren Menü zurück wechseln. Zur Rückkehr zum nächsthöheren Menü drücken Sie die Lebensmittelauswahltaaste (10).

Bevor Sie die Zubereitung über das Lebensmittelmenü starten, können Sie zuvor das Gewicht des ausgewählten Gerichtes festlegen. Dazu führen Sie einfach die folgenden Schritte aus:

1. Drücken Sie die Temperatur/Gewicht- und Schnellheiztaste (20), bis die Gewichtsanzeige blinkt.



2. Stellen Sie das gewünschte Gewicht mit den Tasten  $\wedge$  /  $\vee$  (11) ein.

Bevor Sie die Zubereitung über das Lebensmittelmennü starten, können Sie zuvor das Gewicht des ausgewählten Gerichtes festlegen. Dazu führen Sie einfach die folgenden Schritte aus:

1. Drücken Sie die Temperatur/Gewicht- und Schnellheiztaste (20), bis die Gewichtsanzeige blinkt.
2. Stellen Sie das gewünschte Gewicht mit der Taste (11) ein.

### Lebensmittelauswahlmenü:

Dies kann je nach Modell unterschiedlich ausfallen.

Kuchen / Brot / Torten	Geflügel	Spezialgerichte	Fisch	Fleisch	Spezial
Kekse	Grillhähnchen	Auflauf	Fischfilet	Roastbeef	Fermentieren
Kleinkuchen	Hühnerfilet	Quiche	Gebackene Sardellen	Frikadellen	Joghurt
Brownie		Käsemakkaroni	Schellfisch (Merlan)		Dörrapfel
Biskuitkuchen		Lasagne	Lachsfilet		Kastanien
Apfelstrudel		Moussaka			
Apfelkuchen					

### Einstellungsmenü

#### Helligkeit

Die Helligkeit kann nur bei abgeschaltetem Ofen eingestellt werden.

1. Drücken Sie die Zeiteinstelltaste (21) wiederholt, bis „Helligkeit“ in der Anzeige erscheint.
2. Es gibt 4 Helligkeitsstufen und zwar 1, 2, 3 und 4. Wählen Sie mit  $\wedge$  oder  $\vee$  (11) die gewünschte Stufe.



Bei abgeschaltetem Ofen wird die Helligkeit automatisch vermindert; dies spart etwas Energie. Beim Einschalten des Ofens wird wieder die ursprüngliche Helligkeit eingestellt.

#### Kontrast

Der Kontrast kann nur bei abgeschaltetem Ofen eingestellt werden.

1. Drücken Sie die Zeiteinstelltaste (21) wiederholt, bis „Kontrast“ in der Anzeige erscheint.
2. Es gibt 4 Kontraststufen und zwar 1, 2, 3 und 4. Wählen Sie mit  $\wedge$  oder  $\vee$  (11) die gewünschte Stufe.

#### Lautstärke

Die Lautstärke kann nur bei abgeschaltetem Ofen eingestellt werden.

1. Drücken Sie die Zeiteinstelltaste (21) wiederholt, bis „Lautstärke“ in der Anzeige erscheint.
2. Es gibt 3 Lautstärkestufen und zwar 0 (stumm), 1 und 2. Wählen Sie mit  $\wedge$  oder  $\vee$  (11) die gewünschte Stufe.

### Sprache

Die Sprache kann nur bei abgeschaltetem Ofen eingestellt werden.

1. Drücken Sie die Zeiteinstelltaste (21) wiederholt, bis die zuletzt gewählte Sprache in der Anzeige erscheint.
2. Wählen Sie die gewünschte Sprache mit  $\wedge$  /  $\vee$  (11).
3. Bestätigen Sie mit der Lebensmittelauswahl taste (10).

### So bedienen Sie den Grill



**Schließen Sie beim Grillen die Ofentür.**

Verbrennungsgefahr durch heiße Oberflächen!

1. Schalten Sie den Backofen mit der Ein-/Austaste (1) ein.
2. Wählen Sie die gewünschte Grillfunktion mit den Tasten  $\wedge$  /  $\vee$  (11).
3. Zum Einstellen der Temperatur drücken Sie die Temperatur-/Gewicht- und Schnellheiztaste (20), bis „Temperatur“ in der Anzeige erscheint. Stellen Sie die gewünschte Temperatur mit den Tasten  $\wedge$  /  $\vee$  (11) ein.
4. Schalten Sie den Backofen mit der Ein-/Austaste (1) aus.

**Feuerefahr durch ungeeignetes Grillgut!**

Nur für die intensive Grillhitze geeignetes Grillgut verwenden.

Grillgut nicht zu weit nach hinten in den Grill legen. Dort wird es besonders heiß, und fettiges Grillgut kann in Brand geraten.

**Garzeitentabelle zum Grillen****Elektrischer Grill**

Speise	Einschubebene	Grilldauer (ca.)
Fisch	4..5	20...25 Min. <sup>#</sup>
Hühnerklein	4..5	25...35 Min.
Lammkoteletts	4..5	20...25 Min.
Rinderbraten	4..5	25...30 Min. <sup>#</sup>
Kalbskoteletts	4..5	25...30 Min. <sup>#</sup>
Toastbrot	4	1...2 min.

<sup>#</sup> je nach Dicke

## 6 Reinigung und Wartung

### Allgemeine Hinweise

Durch regelmäßiges Reinigen verlängern Sie die Lebenserwartung Ihres Gerätes und beugen Fehlfunktionen vor.



#### GEFAHR:

Stromschlaggefahr!

Trennen Sie das Gerät vor dem Reinigen von der Stromversorgung, damit es nicht zu Stromschlägen kommt.



#### GEFAHR:

Verbrennungsgefahr durch heiße Oberflächen!

Lassen Sie das Gerät abkühlen, bevor Sie es reinigen.

- Reinigen Sie das Gerät nach jedem Gebrauch gründlich. Dadurch lassen sich Speisereste leichter entfernen und können sich beim nächsten Einsatz des Backofens nicht einbrennen.
- Zur Reinigung benötigen Sie keine Spezialreiniger. Verwenden Sie am besten warmes Wasser mit etwas herkömmlichem Reiniger, ein weiches Tuch oder einen Schwamm. Anschließend mit einem Tuch trocknen.
- Achten Sie stets darauf, überschüssige und verschüttete Flüssigkeiten nach der Reinigung gründlich ab- bzw. aufzuwischen.
- Wenn Sie Edelstahl und Griffe reinigen verzichten Sie auf Reinigungsmittel, die Säuren oder Chlor enthalten. Reinigen Sie diese Teile mit einem weichen Tuch und etwas Flüssigreiniger (kein Scheuermittel); wischen Sie dabei am besten nur in eine Richtung.



Oberflächenbeschädigung durch Reinigungsmittel und -geräte.

Keine scharfen Reinigungsmittel, Scheuermittel, -milch oder spitzen Gegenstände verwenden.



Benutzen Sie keine Dampfreiniger zur Reinigung.

### Bedienfeld reinigen

Reinigen Sie Bedienfeld und Knöpfe mit einem feuchten Tuch; anschließend trocken reiben.



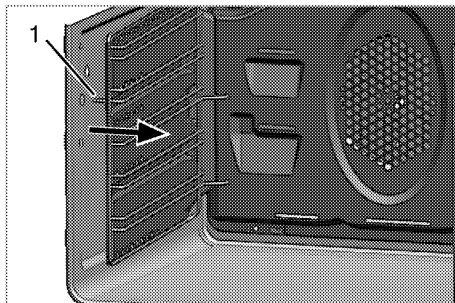
Beschädigung der Bedienblende!

Zum Reinigen der Bedienblende die Knöpfe nicht abziehen.

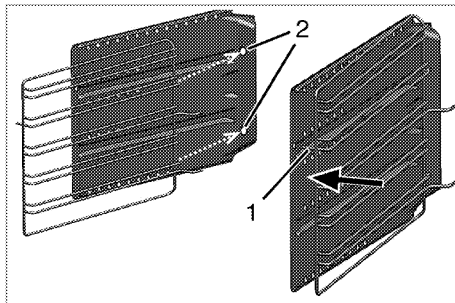
### Backofen reinigen

#### So reinigen Sie die Seitenwand

1. Remove pin (1) of the side rack by pulling it in the direction of arrow with the side wall it is mounted.

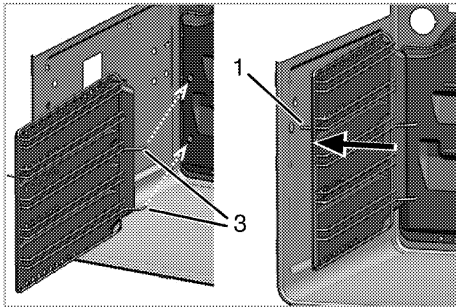


2. Ziehen Sie Seitenwand und Halterung zu sich hin aus dem Gerät heraus.
3. Ziehen Sie die Halterung aus den Öffnungen (2) in der Seitenwand des Gerätes.
4. Verwenden Sie zum Reinigen der seitlichen Halterung und Seitenwand am besten warmes Wasser mit etwas herkömmlichem Reiniger, ein weiches Tuch oder einen Schwamm. Anschließend mit einem Tuch trocknen.
5. Hängen Sie die Halterung in die Öffnungen (2) der Seitenwand ein.



Wenn Sie die flexi Teleskop-Funktion Ihres Produkts; gibt es ein Loch auf der Rückseite Surf Seitenwand. Hängen Sie die Halterung in die Öffnung.

6. Fixieren Sie die Halterung an der Seitenwand, indem Sie den Stift (1) in Pfeilrichtung einstecken.
7. Setzen Sie die Stifte (3) an der Halterung/Seitenwand-Kombination wie in der Abbildung gezeigt in die Öffnungen an der Rückwand ein.



8. Drücken Sie den Stift (1) der Seitenwand wie abgebildet in die Öffnung.



Überzeugen Sie sich davon, dass Halterung und Seitenwand richtig sitzen.

### Pyrolytische Selbstreinigung



#### GEFAHR:

Verbrennungsgefahr durch heiße Oberflächen! Fassen Sie das Gerät nicht an und halten Sie Kinder während der Selbstreinigung vom Gerät fern. Warten Sie mindestens 30 Minuten, bevor Sie Rückstände entfernen.


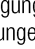

Der Backofen ist mit einer pyrolytischen Selbstreinigung ausgestattet. Der Backofen wird auf ca. 480 °C aufgeheizt und vorhandene Verunreinigungen zu Asche verbrannt. Es kann zu einer starken Rauchentwicklung kommen. Sorgen Sie für eine gute Belüftung. Die Pyrolyse sollten Sie nach etwa jeder 10. Backofennutzung verwenden.

1. Sämtliches Zubehör aus dem Garraum entfernen. Bei Modellen mit seitlichen Halterungen vergessen Sie nicht, diese Halterungen herauszunehmen.
2. Entfernen Sie Verschmutzungen der Außen- und Innenflächen vor der Reinigung mit einem feuchten Tuch.



Nicht die Türdichtung reinigen. Die Fiberglasdichtung ist sehr empfindlich und kann leicht beschädigt werden.

3. „Pyrolyse“  Wählen Sie die Pyrolysefunktion (Selbstreinigung).

 Bei nur leichten Verschmutzungen empfehlen wir die ökonomische Reinigungsfunktion. Bei extremen Verschmutzungen ist etwas mehr Reinigungsaufwand erforderlich. In solchen Fällen sollte die Pyrolysefunktion  nach Abschluss der ökonomischen Reinigung  angewandt werden. In der Anzeige erscheint die Dauer der Selbstreinigung. Die Dauer ist festgelegt und kann nicht verändert werden.


Das Ende der Selbstreinigung kann eingestellt werden.



Manche Vögel können durch die Dämpfe, die bei der Selbstreinigung entstehen, starke gesundheitliche Schäden davongetragen. Bringen Sie Vögel daher immer in einen anderen Raum, der geschlossen und gut belüftet sein sollte. Achten Sie darauf, dass auch die Küche während der Selbstreinigung gut belüftet wird.

4. Während der Selbstreinigung kann die Backofentür nicht geöffnet werden; das



Sperrsymbol  erscheint in der Zeitanzeige. Nach Abschluss der Pyrolysefunktion bleibt die Tür noch eine Weile gesperrt. Versuchen Sie nicht, die Tür mit Gewalt zu öffnen, solange das



Sperrsymbol  leuchtet.

5. Nach der Reinigung entfernen Sie Rückstände mit etwas Essigwasser.

### Backofentür reinigen

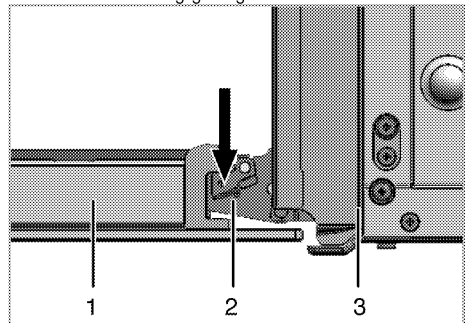
Verwenden Sie zum Reinigen der Backofentür am besten warmes Wasser mit etwas herkömmlichem Reiniger, ein weiches Tuch oder einen Schwamm. Anschließend mit einem Tuch trocknen.



Verzichten Sie bei der Reinigung der Backofentür auf aggressive Reinigungsmittel und auf scharfkantige Schaber aus Metall. Solche Hilfsmittel können die Oberflächen zerkratzen und das Glas beschädigen.

### Backofentür ausbauen

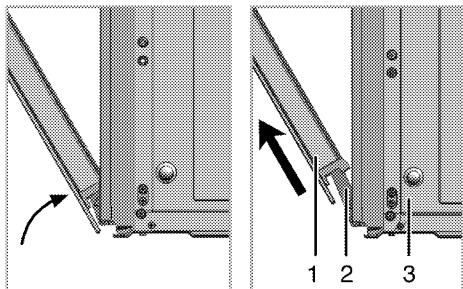
1. Öffnen Sie die Backofentür (1).
2. Öffnen Sie die Clips am Scharniergehäuse links und rechts der Backofentür, indem Sie diese wie in der Abbildung gezeigt nach unten drücken.



- 1 Backofentür
- 2 Scharnier



### 3 Backofen



3. Öffnen Sie die Backofentür zur Hälfte.
4. Nehmen Sie die Ofentür heraus, indem Sie diese etwas anheben und von den Scharnieren rechts und links lösen.

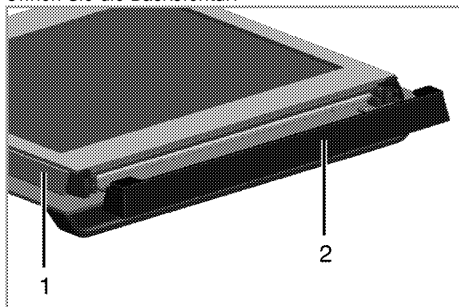


Zum Einbau führen Sie die obigen Schritte wieder in umgekehrter Reihenfolge aus. Vergessen Sie nicht, die Clips am Scharniergehäuse nach dem Wiedereinsetzen der Tür wieder zu schließen.

### Türinnenscheibe ausbauen

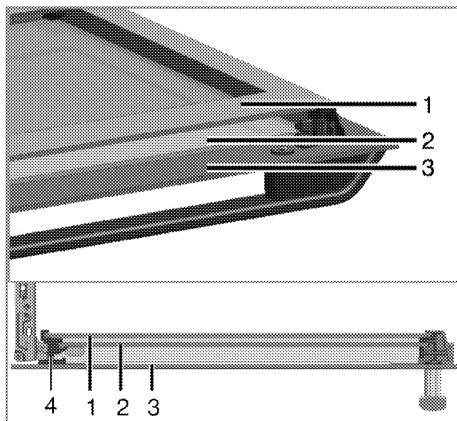
Die Türinnenscheibe kann zur Reinigung ausgebaut werden.

Öffnen Sie die Backofentür.



- 1 Rahmen
- 2 Kunststoffteil

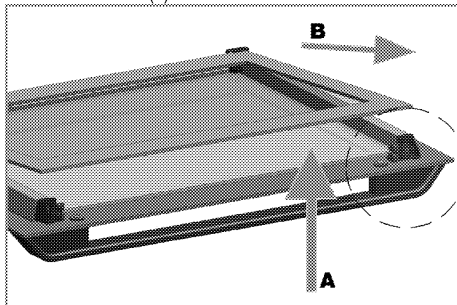
Ziehen Sie das im oberen Bereich der Fronttür installierte Kunststoffteile zu sich heraus.



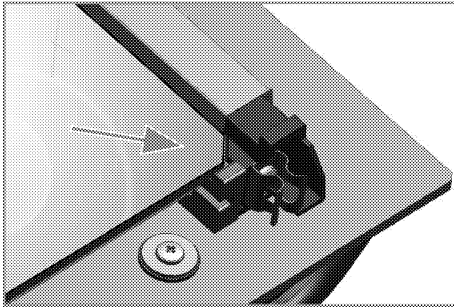
- 1 Innerste Scheibe
- 2 Innenscheibe
- 3 Äußere Glasscheibe
- 4 Scheibenkunststoffschlitz, unten

Heben Sie die innerste Scheibe (1) wie in der Abbildung gezeigt leicht in Richtung A an, ziehen Sie sie in Richtung B heraus.

Wiederholen Sie dieses Verfahren zum Entfernen der inneren Scheibe (2).



Der erste Schritt zum Zusammensetzen der Tür besteht darin, die Innenscheibe (2) wieder anzubringen. Platzieren Sie die abgeschrägte Ecke der Scheibe wie in der Abbildung gezeigt so, dass sie in der abgeschrägten Ecke des Kunststoffschlitzes aufliegt.



Die Innenscheibe (2) muss im Kunststoffschlitz in der Nähe der innersten Scheibe (1) installiert werden. Achten Sie bei der Anbringung der innersten Scheibe (1) darauf, dass die bedruckte Seite der Scheibe in Richtung der inneren Scheibe zeigt. Es ist wichtig, die untere Kante der inneren Scheibe im unteren Kunststoffschlitz einzusetzen. Drücken Sie das Kunststoffteil gegen den Rahmen, bis es mit einem Klickgeräusch einrastet.

### Beleuchtung des Backofens auswechseln



#### GEFAHR:

Verbrennungsgefahr durch heiße Oberflächen! Vor dem Auswechseln der Lampe sicherstellen, dass das Gerät abgekühlt und abgeschaltet ist, um einen möglichen elektrischen Schlag zu vermeiden



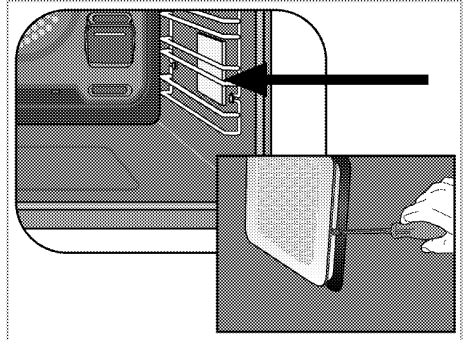
Als Leuchtmittel wird eine spezielle Glühlampe eingesetzt, die für Temperaturen bis 300 °C ausgelegt ist. Weitere Hinweise finden Sie in "Technische Daten, Seite 11". Passende Leuchtmittel erhalten Sie beim autorisierten Kundendienst.



Die Position der Beleuchtung kann etwas von der Abbildung abweichen.

### Wenn Ihr Ofen mit einer rechteckigen Leuchte ausgestattet ist:

1. Trennen Sie das Gerät vollständig von der Stromversorgung.
2. Bauen Sie die Einschubhalterungen wie beschrieben aus. Siehe "*Backofen reinigen, Seite 31*".



3. Lösen Sie das Schutzglas mit einem Schraubendreher.
4. Ziehen Sie das alte Leuchtmittel heraus, setzen Sie ein neues ein.
5. Bringen Sie das Schutzglas wieder an, bauen Sie anschließend die Einschubhalterungen wieder ein.

## 7 Problemlösungen

### **Aus dem Backofen tritt im Betrieb Dampf aus.**

- Während des Betriebs ist ein Dampfaustritt normal. >>> *Dies ist kein Fehler.*

### **Beim Aufheizen und Abkühlen sind metallische Geräusche zu hören.**

- Wenn sich die Temperatur von Metallteilen ändert, dehnen sich diese aus oder ziehen sich zusammen – dabei entstehen Geräusche. >>> *Dies ist kein Fehler.*

### **Das Gerät funktioniert nicht.**

- Die Sicherung ist durchgebrannt oder ausgelöst. >>> *Kontrollieren Sie die Sicherungen im Sicherungskasten. Bei Bedarf austauschen oder zurücksetzen.*
- Das Gerät ist nicht richtig an die (geerdete) Steckdose angeschlossen. >>> *Überprüfen Sie die Steckerverbindung.*
- Die Tasten/Knöpfe am Bedienfeld funktionieren nicht. >>> *Die Tastensperre ist eventuell aktiv. Bitte abschalten. (Siehe Tastensperre Kindersicherung, Seite 25)*

### **Die Ofenbeleuchtung funktioniert nicht.**

- Das Leuchtmittel ist defekt. >>> *Tauschen Sie das Leuchtmittel aus.*
- Die Stromversorgung wurde unterbrochen. >>> *Überprüfen Sie die Stromversorgung. Kontrollieren Sie die Sicherungen im Sicherungskasten. Sicherungen bei Bedarf austauschen oder zurücksetzen.*

### **Backofen heizt nicht.**

- Falsche Funktion ausgewählt und/oder Temperatur nicht richtig eingestellt. >>> *Stellen Sie Funktion und Temperatur entsprechend ein.*
- Die Stromversorgung wurde unterbrochen. >>> *Überprüfen Sie die Stromversorgung. Kontrollieren Sie die Sicherungen im Sicherungskasten. Sicherungen bei Bedarf austauschen oder zurücksetzen.*



Falls sich ein Problem nicht mit den obigen Hinweisen lösen lassen sollte, wenden Sie sich bitte an den autorisierten Kundendienst oder an den Händler, bei dem Sie das Gerät gekauft haben. Versuchen Sie niemals, ein defektes Gerät selbst zu reparieren.

