

Instructions for use

WASHING MACHINE

GB

GB

English,1

F

Français,13

NL

Nederlands,25

SE

Svenska,37

FI

Suomi,49

DK

Dansk,61

NO

Norsks,73

IWC 6165

Contents

Installation, 2-3

Unpacking and levelling
Connecting the electricity and water supplies
The first wash cycle
Technical data

Care and maintenance, 4

Cutting off the water or electricity supply
Cleaning the washing machine
Cleaning the detergent dispenser drawer
Caring for the door and drum of your appliance
Cleaning the pump
Checking the water inlet hose

Precautions and tips, 5

General safety
Disposal

Description of the washing machine and starting a wash cycle, 6-7

Control panel
Indicator lights
Starting a wash cycle

Wash cycles, 8

Table of wash cycles

Personalisation, 9

Setting the temperature
Setting the spin speed
Functions

Detergents and laundry, 10

Detergent dispenser drawer
Bleach cycle
Preparing the laundry
Garments requiring special care
Load balancing system

Troubleshooting, 11

Service, 12

Installation

GB

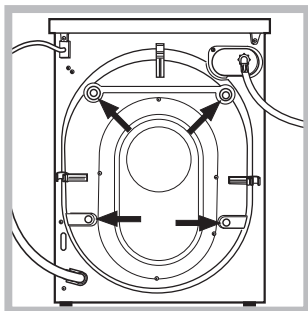
! This instruction manual should be kept in a safe place for future reference. If the washing machine is sold, transferred or moved, make sure that the instruction manual remains with the machine so that the new owner is able to familiarise himself/herself with its operation and features.

! Read these instructions carefully: they contain vital information relating to the safe installation and operation of the appliance.

Unpacking and levelling

Unpacking

1. Remove the washing machine from its packaging.
2. Make sure that the washing machine has not been damaged during the transportation process. If it has been damaged, contact the retailer and do not proceed any further with the installation process.



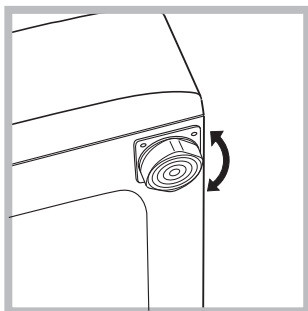
3. Remove the 4 protective screws (used during transportation) and the rubber washer with the corresponding spacer, located on the rear part of the appliance (see figure).

4. Close off the holes using the plastic plugs provided.
5. Keep all the parts in a safe place: you will need them again if the washing machine needs to be moved to another location.

! Packaging materials should not be used as toys for children.

Levelling

1. Install the washing machine on a flat sturdy floor, without resting it up against walls, furniture cabinets or anything else.

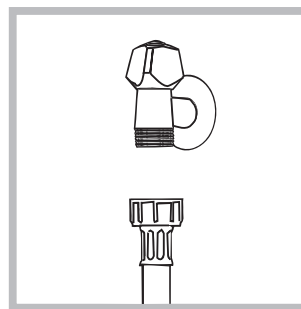


2. If the floor is not perfectly level, compensate for any unevenness by tightening or loosening the adjustable front feet (see figure); the angle of inclination, measured in relation to the worktop, must not exceed 2°.

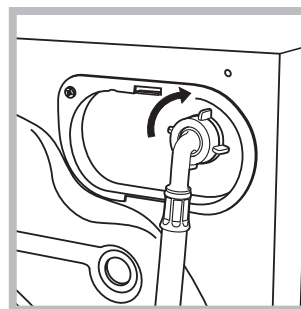
Levelling the machine correctly will provide it with stability, help to avoid vibrations and excessive noise and prevent it from shifting while it is operating. If it is placed on carpet or a rug, adjust the feet in such a way as to allow a sufficient ventilation space underneath the washing machine.

Connecting the electricity and water supplies

Connecting the water inlet hose



1. Connect the supply pipe by screwing it to a cold water tap using a $\frac{3}{4}$ gas threaded connection (see figure). Before performing the connection, allow the water to run freely until it is perfectly clear.



2. Connect the inlet hose to the washing machine by screwing it onto the corresponding water inlet of the appliance, which is situated on the top right-hand side of the rear part of the appliance (see figure).

3. Make sure that the hose is not folded over or bent.

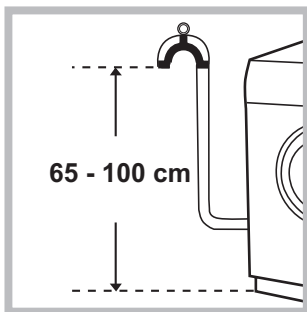
! The water pressure at the tap must fall within the values indicated in the Technical details table (see next page).

! If the inlet hose is not long enough, contact a specialised shop or an authorised technician.

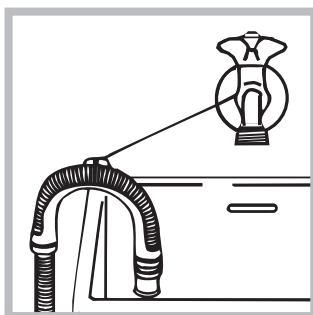
! Never use second-hand hoses.

! Use the ones supplied with the machine.

Connecting the drain hose



Connect the drain hose, without bending it, to a drainage duct or a wall drain located at a height between 65 and 100 cm from the floor;



alternatively, rest it on the side of a washbasin or bathtub, fastening the duct supplied to the tap (see figure). The free end of the hose should not be underwater.

! We advise against the use of hose extensions; if it is absolutely necessary, the extension must have the same diameter as the original hose and must not exceed 150 cm in length.

Electrical connections

Before plugging the appliance into the electricity socket, make sure that:

- the socket is earthed and complies with all applicable laws;
- the socket is able to withstand the maximum power load of the appliance as indicated in the Technical data table (see opposite);
- the power supply voltage falls within the values indicated in the Technical data table (see opposite);
- the socket is compatible with the plug of the washing machine. If this is not the case, replace the socket or the plug.

! The washing machine must not be installed outdoors, even in covered areas. It is extremely dangerous to leave the appliance exposed to rain, storms and other weather conditions.

! When the washing machine has been installed, the electricity socket must be within easy reach.

! Do not use extension cords or multiple sockets.

! The cable should not be bent or compressed.

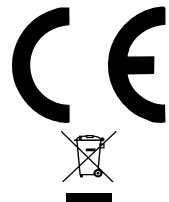
! The power supply cable must only be replaced by authorised technicians.

Warning! The company shall not be held responsible in the event that these regulations are not respected.

The first wash cycle

Once the appliance has been installed, and before you use it for the first time, run a wash cycle with detergent and no laundry, using the wash cycle 2.

Technical data

Model	IWC 6165
Dimensions	width 59,5 cm height 85 cm depth 53,5 cm
Capacity	from 1 to 6 kg
Electrical connections	please refer to the technical data plate fixed to the machine
Water connection	maximum pressure 1 MPa (10 bar) minimum pressure 0.05 MPa (0.5 bar) drum capacity 52 litres
Spin speed	up to 1600 rotations per minute
Test wash cycles in accordance with directives 1061/2010 and 1015/2010	Programme 3: Cotton standard 60°C. Programme 4: Cotton standard 40°C.
	This appliance conforms to the following EC Directives: - 2004/108/CE (Electromagnetic Compatibility) - 2002/96/EC - 2006/95/EC Low Voltage)

Care and maintenance

GB

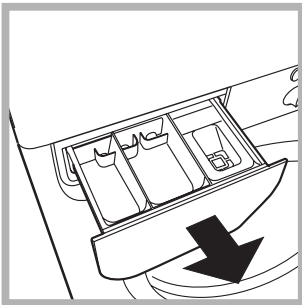
Cutting off the water and electricity supplies

- Turn off the water tap after every wash cycle. This will limit wear on the hydraulic system inside the washing machine and help to prevent leaks.
- Unplug the washing machine when cleaning it and during all maintenance work.

Cleaning the washing machine

The outer parts and rubber components of the appliance can be cleaned using a soft cloth soaked in lukewarm soapy water. Do not use solvents or abrasives.

Cleaning the detergent dispenser drawer



Remove the dispenser by raising it and pulling it out (see figure). Wash it under running water; this operation should be repeated frequently.

Caring for the door and drum of your appliance

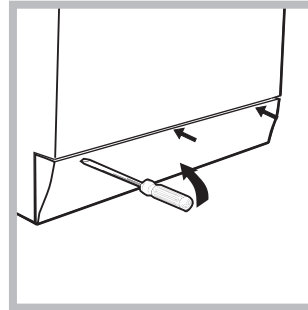
- Always leave the porthole door ajar in order to prevent unpleasant odours from forming.

Cleaning the pump

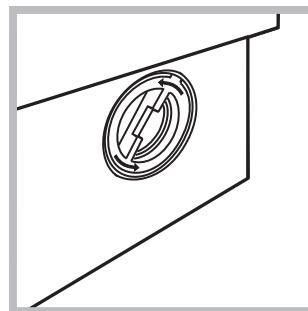
The washing machine is fitted with a self-cleaning pump which does not require any maintenance. Sometimes, small items (such as coins or buttons) may fall into the pre-chamber which protects the pump, situated in its bottom part.

- ! Make sure the wash cycle has finished and unplug the appliance.

To access the pre-chamber:



1. using a screwdriver, remove the cover panel on the lower front part of the washing machine (see figure);



2. unscrew the lid by rotating it anti-clockwise (see figure): a little water may trickle out. This is perfectly normal;

3. clean the inside thoroughly;
4. screw the lid back on;
5. reposition the panel, making sure the hooks are securely in place before you push it onto the appliance.

Checking the water inlet hose

Check the inlet hose at least once a year. If there are any cracks, it should be replaced immediately: during the wash cycles, water pressure is very strong and a cracked hose could easily split open.

- ! Never use second-hand hoses.

! This washing machine was designed and constructed in accordance with international safety regulations. The following information is provided for safety reasons and must therefore be read carefully.

Consumers should contact their local authority or retailer for information concerning the correct disposal of their old appliance.

GB

General safety

- This appliance was designed for domestic use only.
- This appliance can be used by children aged from 8 years and above and persons with reduced physical, sensory or mental capabilities or lack of experience and knowledge if they have been given supervision or instruction concerning use of the appliance in a safe way and understand the hazards involved. Children shall not play with the appliance. Cleaning and user maintenance shall not be made by children without supervision.
- Do not touch the machine when barefoot or with wet or damp hands or feet.
- Do not pull on the power supply cable when unplugging the appliance from the electricity socket. Hold the plug and pull.
- Do not open the detergent dispenser drawer while the machine is in operation.
- Do not touch the drained water as it may reach extremely high temperatures.
- Never force the porthole door. This could damage the safety lock mechanism designed to prevent accidental opening.
- If the appliance breaks down, do not under any circumstances access the internal mechanisms in an attempt to repair it yourself.
- Always keep children well away from the appliance while it is operating.
- The door can become quite hot during the wash cycle.
- If the appliance has to be moved, work in a group of two or three people and handle it with the utmost care. Never try to do this alone, because the appliance is very heavy.
- Before loading laundry into the washing machine, make sure the drum is empty.

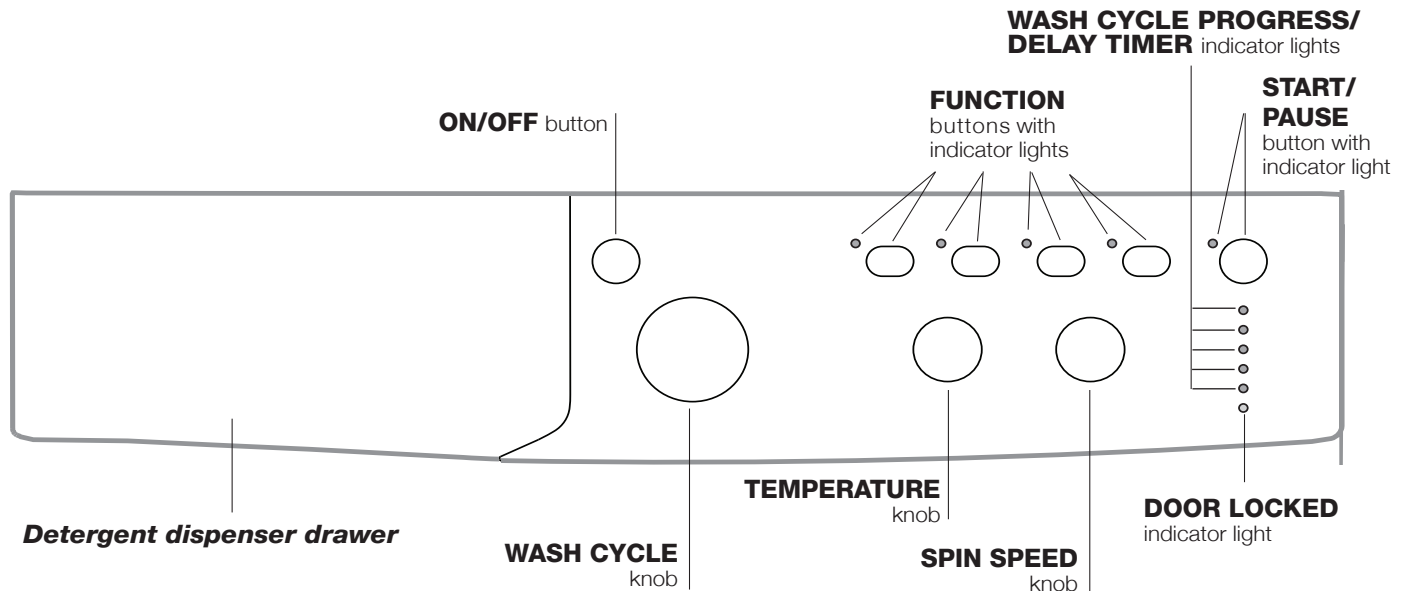
Disposal

- Disposing of the packaging materials: observe local regulations so that the packaging may be re-used.
- The European Directive 2002/96/EC on Waste Electrical and Electronic Equipment, requires that old household electrical appliances must not be disposed of in the normal unsorted municipal waste stream. Old appliances must be collected separately in order to optimise the recovery and recycling of the materials they contain and reduce the impact on human health and the environment. The crossed out “wheeled bin” symbol on the product reminds you of your obligation, that when you dispose of the appliance it must be separately collected.

Description of the washing machine and starting a wash cycle

GB

Control panel



Detergent dispenser drawer: used to dispense detergents and washing additives (see “Detergents and laundry”).

ON/OFF button: switches the washing machine on and off.

WASH CYCLE knob: programmes the wash cycles. During the wash cycle, the knob does not move.

FUNCTION buttons with indicator light: used to select the available functions. The indicator light corresponding to the selected function will remain lit.

TEMPERATURE knob: sets the temperature or the cold wash cycle (see “Personalisation”).


SPIN SPEED knob: sets the spin speed or exclude the spin cycle completely (see “Personalisation”).

WASH CYCLE PROGRESS/DELAY TIMER indicator lights: used to monitor the progress of the wash cycle. The illuminated indicator light shows which phase is in progress.

If the Delay Timer function has been set, the time remaining until the wash cycle starts will be indicated (see next page).

DOOR LOCKED indicator light: indicates whether the door may be opened or not (see next page).

START/PAUSE button with indicator light: starts or temporarily interrupts the wash cycles.

N.B. To pause the wash cycle in progress, press this button; the corresponding indicator light will flash orange, while the indicator light for the current wash cycle phase will remain lit in a fixed manner. If the DOOR LOCKED  indicator light is switched off, the door may be opened. To start the wash cycle from the point at which it was interrupted, press this button again.

Standby mode

This washing machine, in compliance with new energy saving regulations, is fitted with an automatic standby system which is enabled after about 30 minutes if no activity is detected. Press the ON-OFF button briefly and wait for the machine to start up again.

Consumption in off-mode: 0,5 W

Consumption in Left-on: 0,5 W

Indicator lights

The indicator lights provide important information. This is what they can tell you:

Delayed start

If the DELAY TIMER function has been activated (see “Personalisation”), after the wash cycle has been started the indicator light corresponding to the selected delay period will begin to flash:



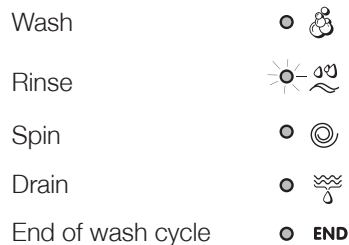
As time passes, the remaining delay will be displayed and the corresponding indicator light will flash:



The set programme will start once the selected time delay has expired.

Wash cycle phase indicator lights

Once the desired wash cycle has been selected and has begun, the indicator lights switch on one by one to indicate which phase of the cycle is currently in progress.



Function buttons and corresponding indicator lights

When a function is selected, the corresponding indicator light will illuminate.

If the selected function is not compatible with the programmed wash cycle, the corresponding indicator light will flash and the function will not be activated.

If the selected function is not compatible with another function which has been selected previously, the indicator light corresponding to the first function selected will flash and only the second function will be activated; the indicator light corresponding to the enabled option will remain lit.


Door locked indicator light

When the indicator light is on, the porthole door is locked to prevent it from being opened; make sure the indicator light is off before opening the door (wait approximately 3 minutes). To open the door during a running wash cycle, press the START/PAUSE button; the door may be opened once the DOOR LOCKED indicator light turns off.

Starting a wash cycle

1. Switch the washing machine on by pressing the ON/OFF button. All indicator lights will switch on for a few seconds, then they will switch off and the START/PAUSE indicator light will pulse.
2. Load the laundry and close the door.
3. Set the WASH CYCLE knob to the desired programme.
4. Set the washing temperature (see “Personalisation”).
5. Set the spin speed (see “Personalisation”).
6. Measure out the detergent and washing additives (see “Detergents and laundry”).
7. Select the desired functions.
8. Start the wash cycle by pressing the START/PAUSE button and the corresponding indicator light will remain lit in a fixed manner, in green.



To cancel the set wash cycle, pause the machine by pressing the START/PAUSE button and select a new cycle.

9. At the end of the wash cycle the **END** indicator light will switch on. The door can be opened once the DOOR LOCKED  indicator light turns off. Take out your laundry and leave the appliance door ajar to make sure the drum dries completely. Switch the washing machine off by pressing the ON/OFF button.

Wash cycles

GB

Table of wash cycles

Wash cycles	Description of the wash cycle	Max. temp. (°C)	Max. speed (rpm)	Detergents				Max. load (kg)	Residual dampness %	Energy consumption kWh	Total water lt	Cycle duration
				Prewash	Wash	Fabric softener	Bleach					
Daily												
1	Cotton with prewash: extremely soiled whites.	90°	1600	●	●	●	-	6	44	2,18	75	150'
2	Cotton: extremely soiled whites.	90°	1600	-	●	●	●	6	44	2,10	70	140'
3	Cotton Standard 60° (1): heavily soiled whites and resistant colours.	60°	1600	-	●	●	●	6	44	1,03	49	190'
4	Cotton Standard 40° (2): lightly soiled whites and delicate colours.	40°	1600	-	●	●	●	6	44	1,09	92	180'
5	Coloured Cottons: lightly soiled whites and delicate colours.	40°	1600	-	●	●	●	6	44	0,60	50	85'
6	Synthetics: heavily soiled resistant colours.	60°	800	-	●	●	●	3,5	44	0,93	47	115'
6	Synthetics (3): lightly soiled resistant colours.	40°	800	-	●	●	●	3,5	44	0,57	46	100'
7	Cotton Standard 20°: lightly soiled whites and delicate colours.	20°	1600	-	●	●	●	6	-	-	-	170'
Special												
8	Wool: for wool, cashmere, etc.	40°	800	-	●	●	-	1,5	-	-	-	70'
9	Silk/Curtains: for garments in silk and viscose, lingerie.	30°	0	-	●	●	-	1	-	-	-	55'
10	Jeans	40°	800	-	●	●	-	3,5	-	-	-	75'
11	Express: to refresh lightly soiled garments quickly (not suitable for wool, silk and clothes which require washing by hand).	30°	800	-	●	●	-	1,5	71	0,19	31	15'
Sport												
12	Sport Intensive	30°	600	-	●	●	-	2,5	-	-	-	85'
13	Sport Light	30°	600	-	●	●	-	2,5	-	-	-	60'
14	Special Shoes	30°	600	-	●	●	-	Max. 2 pairs	-	-	-	60'
Partial wash cycles												
	Rinse	-	1600	-	-	●	●	6	-	-	-	36'
	Spin + Drain	-	1600	-	-	-	-	6	-	-	-	16'

The length of cycle shown on the display or in this booklet is an estimation only and is calculated assuming standard working conditions. The actual duration can vary according to factors such as water temperature and pressure, the amount of detergent used, the amount and type of load inserted, load balancing and any wash options selected.

1) Test wash cycle in compliance with directive 1061/2010: set wash cycle 3 with a temperature of 60°C.

This cycle is designed for cotton loads with a normal soil level and is the most efficient in terms of both electricity and water consumption; it should be used for garments which can be washed at 60°C. The actual washing temperature may differ from the indicated value.

2) Test wash cycle in compliance with directive 1061/2010: set wash cycle 4 with a temperature of 40°C.

This cycle is designed for cotton loads with a normal soil level and is the most efficient in terms of both electricity and water consumption; it should be used for garments which can be washed at 40°C. The actual washing temperature may differ from the indicated value.

For all Test Institutes:

2) Long wash cycle for cottons: set wash cycle 4 with a temperature of 40°C.

3) Long wash cycle for synthetics: set wash cycle 6; with a temperature of 40°C.

Cotton Standard 20° (wash cycle **7**) ideal for heavily soiled cotton loads. The effective performance levels achieved at cold temperatures, which are comparable to washing at 40°, are guaranteed by a mechanical action which operates at varying speed, with repeated and frequent peaks.

Express (wash cycle **11**) this wash cycle was designed to wash lightly soiled garments quickly: it lasts just 15 minutes and therefore saves both energy and time. By selecting this wash cycle (**11** at 30°C), it is possible to wash different fabrics together (except for wool and silk items), with a maximum load of 1,5 kg.

Sport Intensive (wash cycle **12**) is for washing heavily soiled sports clothing fabrics (tracksuits, shorts, etc.); for best results, we recommend not exceeding the maximum load indicated in the "Table of wash cycles".

Sport Light (wash cycle **13**) is for washing lightly soiled sports clothing fabrics (tracksuits, shorts, etc.); for best results, we recommend not exceeding the maximum load indicated in the "Table of wash cycles". We recommend using a liquid detergent and dosage suitable for a half-load.

Special Shoes (wash cycle **14**) is for washing sports shoes; for best results, do not wash more than 2 pairs simultaneously.

Setting the temperature

Turn the TEMPERATURE knob to set the wash temperature (see *Table of wash cycles*).

The temperature may be lowered, or even set to a cold wash .


The washing machine will automatically prevent you from selecting a temperature which is higher than the maximum value set for each wash cycle.

Setting the spin speed

Turn the SPIN SPEED knob to set the spin speed for the selected wash cycle.

The maximum spin speeds available for each wash cycle are as follows:

Wash cycles	Maximum spin speed
Cottons	1600 rpm
Synthetics	800 rpm
Wool	800 rpm
Silk	drain only

The spin speed may be lowered, or the spin cycle can be excluded altogether by selecting the symbol .

The washing machine will automatically prevent you from selecting a spin speed which is higher than the maximum speed set for each wash cycle.

Functions

The various wash functions available with this washing machine will help to achieve the desired results, every time.



To activate the functions:

1. Press the button corresponding to the desired function;
2. the function is enabled when the corresponding indicator light is illuminated.

Note: If the indicator light flashes rapidly, this signals that this particular function may not be selected in conjunction with the selected wash cycle.

Ec@Time

Selecting this option enables you to suitably adjust drum rotation, temperature and water to a reduced load of lightly soiled cotton and synthetic fabrics (refer to the "*Programme table*"). "Ec@Time" enables you to wash in less time thereby saving water and electricity. We suggest using a liquid detergent suitably measured out to the load quantity.

! This function may not be used in conjunction with wash cycles 1, 2, 7, 8, 9, 10, 11, 12, 13, 14, , .


Stain removal

Bleaching cycle designed to remove the toughest stains. Please remember to pour the bleach into extra compartment 4 (see "*Bleach cycle*").

! This function may not be used in conjunction with wash cycles 1, 8, 9, 10, 11, 12, 13, 14, .

Extra rinse

By selecting this option, the efficiency of the rinse is increased and optimal detergent removal is guaranteed. It is particularly useful for sensitive skin.

! This function may not be used in conjunction with wash cycles 11, .

Delay timer

This timer delays the start time of the wash cycle by up to 12 hours.

Press the button repeatedly until the indicator light corresponding to the desired delay time switches on. The fifth time the button is pressed, the function will be disabled.

N.B. Once the START/PAUSE button has been pressed, the delay time can only be modified by decreasing it until launching the set programme.

! This option is enabled with all programmes.

Detergents and laundry

GB

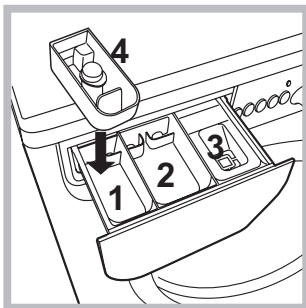
Detergent dispenser drawer

Good washing results also depend on the correct dose of detergent: adding too much detergent will not necessarily result in a more efficient wash, and may in fact cause build up on the inside of your appliance and contribute to environmental pollution.

! Do not use hand washing detergents because these create too much foam.

! Use powder detergent for white cotton garments, for pre-washing, and for washing at temperatures over 60°C.

! Follow the instructions given on the detergent packaging.



Open the detergent dispenser drawer and pour in the detergent or washing additive, as follows.

compartment 1: Pre-wash detergent (powder)

Before pouring in the detergent, make sure that extra compartment 4 has been removed.

compartment 2: Detergent for the wash cycle (powder or liquid)

Liquid detergent should only be poured in immediately prior to the start of the wash cycle.

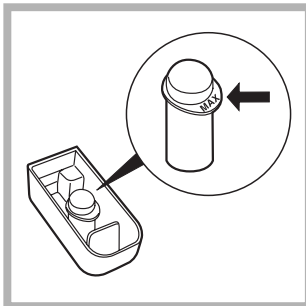
compartment 3: Additives (fabric softeners, etc.)

The fabric softener should not overflow the grid.



extra compartment 4: Bleach


Bleach cycle

! **Traditional** bleach should be used on sturdy white fabrics, and **delicate** bleach for coloured fabrics, synthetics and for wool.



This option is particularly useful for the removal of stubborn stains. Place extra compartment 4 (supplied) into compartment 1. When pouring in the bleach, be careful not to exceed the "max" level marked on the central pivot (see figure).

To run the bleach cycle on its own, pour the bleach into extra compartment 4, set the "Rinse"  programme and activate the "Stain removal"  option.

To bleach during a wash cycle, pour in the detergent and any fabric softener you wish to use, set the desired wash cycle and enable the "Stain removal"  option.

The use of extra compartment 4 excludes the "Pre-wash" option.


Preparing the laundry

- Divide the laundry according to:
 - the type of fabric/the symbol on the label
 - the colours: separate coloured garments from whites.
- Empty all garment pockets and check the buttons.
- Do not exceed the listed values, which refer to the weight of the laundry when dry: see "Table of wash cycles".

How much does your laundry weigh?

- 1 sheet 400-500 g
- 1 pillow case 150-200 g
- 1 tablecloth 400-500 g
- 1 bathrobe 900-1200 g
- 1 towel 150-250 g

Garments requiring special care

Wool: all wool garments can be washed using programme 8, even those carrying the "hand-wash only"  label. For best results, use special detergents and do not exceed 1,5 kg of laundry.

Silk: use special wash cycle 9 to wash all silk garments. We recommend the use of special detergent which has been designed to wash delicate clothes.

Curtains: fold curtains and place them in a pillow case or mesh bag. Use wash cycle 9.

Jeans: Turn garments inside-out before washing and use a liquid detergent. Use programme 10.

Load balancing system

Before every spin cycle, to avoid excessive vibrations and to distribute the load in a uniform manner, the drum rotates continuously at a speed which is slightly greater than the washing rotation speed. If, after several attempts, the load is not balanced correctly, the machine spins at a reduced spin speed. If the load is excessively unbalanced, the washing machine performs the distribution process instead of spinning. To encourage improved load distribution and balance, we recommend small and large garments are mixed in the load.

Your washing machine could fail to work. Before contacting the Technical Assistance Centre (see “Assistance”), make sure that the problem cannot be not solved easily using the following list.

Problem:

Possible causes / Solutions:

The washing machine does not switch on.

- The appliance is not plugged into the socket fully, or is not making contact.
- There is no power in the house.

The wash cycle does not start.

- The washing machine door is not closed properly.
- The ON/OFF button has not been pressed.
- The START/PAUSE button has not been pressed.
- The water tap has not been opened.
- A delayed start has been set (see “Personalisation”).

The washing machine does not take in water (the indicator light for the first wash cycle stage flashes rapidly).

- The water inlet hose is not connected to the tap.
- The hose is bent.
- The water tap has not been opened.
- There is no water supply in the house.
- The pressure is too low.
- The START/PAUSE button has not been pressed.

The washing machine continuously takes in and drains water.

- The drain hose is not fitted at a height between 65 and 100 cm from the floor (see “Installation”).
- The free end of the hose is under water (see “Installation”).
- The wall drainage system is not fitted with a breather pipe.

If the problem persists even after these checks, turn off the water tap, switch the appliance off and contact the Assistance Service. If the dwelling is on one of the upper floors of a building, there may be problems relating to water drainage, causing the washing machine to fill with water and drain continuously. Special anti-draining valves are available in shops and help to avoid this inconvenience.

The washing machine does not drain or spin.

- The wash cycle does not include draining: some wash cycles require the drain phase to be started manually.
- The drain hose is bent (see “Installation”).
- The drainage duct is clogged.

The washing machine vibrates a lot during the spin cycle.

- The drum was not unlocked correctly during installation (see “Installation”).
- The washing machine is not level (see “Installation”).
- The washing machine is trapped between cabinets and walls (see “Installation”).

The washing machine leaks.

- The water inlet hose is not screwed on properly (see “Installation”).
- The detergent dispenser drawer is blocked (for cleaning instructions, see “Care and maintenance”).
- The drain hose is not fixed properly (see “Installation”).

The “option” indicator lights and the “start/pause” indicator light flash, while one of the “phase in progress” indicator lights and the “door locked” indicator light will remain lit in a fixed manner.

- Switch off the machine and unplug it, wait for approximately 1 minute and then switch it back on again.
If the problem persists, contact the Technical Assistance Service.

There is too much foam.

- The detergent is not suitable for machine washing (it should display the text “for washing machines” or “hand and machine wash”, or the like).
- Too much detergent was used.

Service

GB

Before calling for Assistance:

- Check whether you can solve the problem alone (see “*Troubleshooting*”);
- Restart the programme to check whether the problem has been solved;
- If this is not the case, contact an authorised Technical Assistance Centre using the telephone number provided on the guarantee certificate.

! Always request the assistance of authorised technicians.

Have the following information to hand:

- the type of problem;
- the appliance model (Mod.);
- the serial number (S/N).

This information can be found on the data plate applied to the rear of the washing machine, and can also be found on the front of the appliance by opening the door.

FR

Français

IWC 6165

Sommaire

Installation, 14-15

Déballage et mise à niveau
Raccordements eau et électricité
Premier cycle de lavage
Caractéristiques techniques

Entretien et soin, 16

Coupure de l'arrivée d'eau et du courant
Nettoyage du lave-linge
Nettoyage du tiroir à produits lessiviels.
Entretien du hublot et du tambour
Nettoyage de la pompe
Contrôle du tuyau d'arrivée de l'eau

Précautions et conseils, 17

Sécurité générale
Mise au rebut

Description du lave-linge et démarrage d'un programme, 18-19

Bandeau de commandes
Voyants
Démarrage d'un programme

Programmes, 20

Tableau des programmes

Personnalisations, 21

Sélection de la température
Sélection de l'essorage
Fonctions

Produits lessiviels et linge, 22

Tiroir à produits lessiviels
Cycle blanchissage
Triage du linge
Linge ou vêtements particuliers
Système d'équilibrage de la charge

Anomalies et remèdes, 23

Assistance, 24

Installation

FR

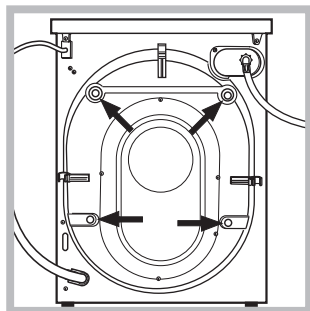
! Conserver ce mode d'emploi pour pouvoir le consulter à tout moment. En cas de vente, de cession ou de déménagement, veiller à ce qu'il suive toujours le lave-linge pour que son nouveau propriétaire soit informé sur son mode de fonctionnement et puisse profiter des conseils correspondants.

! Lire attentivement les instructions: elles fournissent des conseils importants sur l'installation, l'utilisation et la sécurité de l'appareil.

Déballage et mise à niveau

Déballage

1. Déballer le lave-linge.
2. Contrôler que le lave-linge n'a pas été endommagé pendant le transport. S'il est abîmé, ne pas le raccorder et contacter le vendeur.



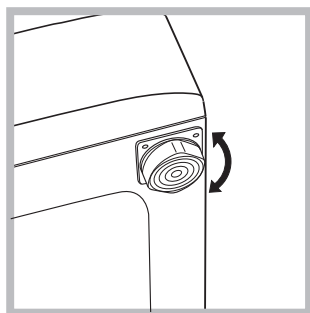
3. Enlever les 4 vis de protection servant au transport, le caoutchouc et la cale, placés dans la partie arrière (voir figure).

4. Boucher les trous à l'aide des bouchons plastique fournis.
5. Conserver toutes ces pièces: il faudra les remonter en cas de transport du lave-linge.

! Les pièces d'emballage ne sont pas des jouets pour enfants.

Mise à niveau

1. Installer le lave-linge sur un sol plat et rigide, sans l'appuyer contre des murs, des meubles ou autre.

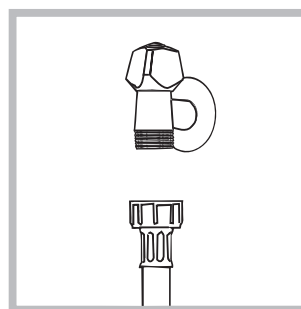


2. Si le sol n'est pas parfaitement horizontal, visser ou dévisser les pieds de réglage avant (voir figure) pour niveler l'appareil; son angle d'inclinaison, mesuré sur le plan de travail, ne doit pas dépasser 2°.

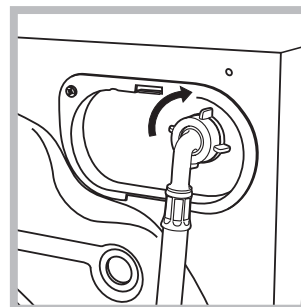
Une bonne mise à niveau garantit la stabilité de l'appareil et évite qu'il y ait des vibrations, du bruit et des déplacements en cours de fonctionnement. Si la machine est posée sur de la moquette ou un tapis, régler les pieds de manière à ce qu'il y ait suffisamment d'espace pour assurer une bonne ventilation.

Raccordements eau et électricité

Raccordement du tuyau d'arrivée de l'eau



1. Reliez le tuyau d'alimentation en le vissant à un robinet d'eau froide à embout fileté 3/4 gaz (voir figure). Faire couler l'eau jusqu'à ce qu'elle soit limpide et sans impuretés avant de raccorder.



2. Raccorder le tuyau d'arrivée de l'eau au lave-linge en le vissant à la prise d'eau prévue, dans la partie arrière en haut à droite (voir figure).

3. Attention à ce que le tuyau ne soit pas plié ou écrasé.

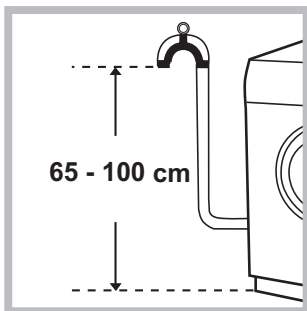
! La pression de l'eau doit être comprise entre les valeurs indiquées dans le tableau des Caractéristiques techniques (voir page ci-contre).

! Si la longueur du tuyau d'alimentation ne suffit pas, s'adresser à un magasin spécialisé ou à un technicien agréé.

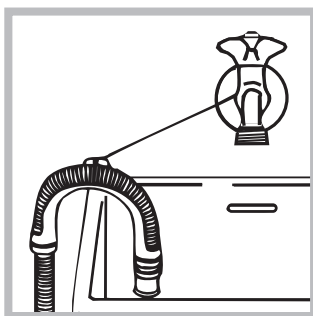
! N'utiliser que des tuyaux neufs.

! Utiliser ceux qui sont fournis avec l'appareil.

Raccordement du tuyau de vidange



Raccorder le tuyau d'évacuation, sans le plier, à un conduit d'évacuation ou à une évacuation murale placés à une distance du sol comprise entre 65 et 100 cm;



ou bien l'accrocher à un évier ou à une baignoire, dans ce cas, fixer le support en plastique fourni avec l'appareil au robinet (voir figure). L'extrémité libre du tuyau d'évacuation ne doit pas être plongée dans l'eau.

! L'utilisation d'un tuyau de rallonge est absolument déconseillée mais si on ne peut faire autrement, il faut absolument qu'il ait le même diamètre que le tuyau original et sa longueur ne doit pas dépasser 150 cm.

Branchement électrique

Avant de brancher la fiche dans la prise de courant, s'assurer que:

- la prise est bien reliée à la terre et est conforme aux réglementations en vigueur;
- la prise est bien apte à supporter la puissance maximale de l'appareil indiquée dans le tableau des Caractéristiques techniques (voir ci-contre);
- la tension d'alimentation est bien comprise entre les valeurs figurant dans le tableau des Caractéristiques techniques (voir ci-contre);
- la prise est bien compatible avec la fiche du lave-linge. Autrement, remplacer la prise ou la fiche.

! Le lave-linge ne doit pas être installé dehors, même à l'abri, car il est très dangereux de le laisser exposé à la pluie et aux orages.

! Après installation du lave-linge, la prise de courant doit être facilement accessible.

! N'utiliser ni rallonges ni prises multiples.

! Le câble ne doit être ni plié ni trop écrasé.

! Le câble d'alimentation ne doit être remplacé que par des techniciens agréés.

Attention! Nous déclinons toute responsabilité en cas de non-respect des normes énumérées ci-dessus.

Premier cycle de lavage

Avant la première mise en service de l'appareil, effectuer un cycle de lavage avec un produit lessiviel mais sans linge et sélectionner le programme 2.

Caractéristiques techniques

Modèle	IWC 6165
Dimensions	largeur 59,5 cm hauteur 85 cm profondeur 53,5 cm
Capacité	de 1 à 6 kg
Raccordements électriques	Voir la plaque signalétique appliquée sur la machine
Raccorde-ments hydrauliques	pression maximale 1 MPa (10 bar) pression minimale 0,05 MPa (0,5 bar) capacité du tambour 52 litres
Vitesse d'essorage	jusqu'à 1600 tours minute
Programmes de contrôle selon les directives 1061/2010 et 1015/2010	programme 3; programme coton standard à 60°C. programme 4; programme coton standard à 40°C.
 	Cet appareil est conforme aux Directives Communautaires suivantes: - 2004/108/CE (Compatibilité électromagnétique) - 2002/96/CE - 2006/95/CE (Basse Tension)

Entretien et soin

FR

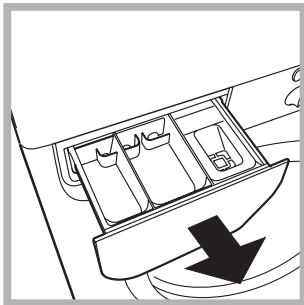
Coupure de l'arrivée d'eau et du courant

- Fermer le robinet de l'eau après chaque lavage. Cela réduit l'usure de l'installation hydraulique du lave-linge et évite tout danger de fuites.
- Débrancher la fiche de la prise de courant lors de tout nettoyage du lave-linge et pendant tous les travaux d'entretien.

Nettoyage du lave-linge

Pour nettoyer l'extérieur et les parties en caoutchouc, utiliser un chiffon imbibé d'eau tiède et de savon. N'utiliser ni solvants ni abrasifs.

Nettoyage du tiroir à produits lessiviels.



Soulever le tiroir et le tirer vers soi pour le sortir de son logement (voir figure). Le laver à l'eau courante; effectuer cette opération assez souvent.

Entretien du hublot et du tambour

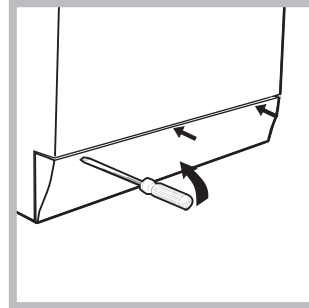
- Il faut toujours laisser le hublot entrouvert pour éviter la formation de mauvaises odeurs.

Nettoyage de la pompe

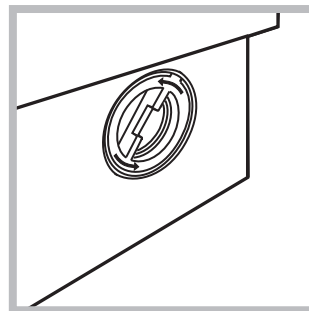
Le lave-linge est équipé d'une pompe autonettoyante qui n'exige aucune opération d'entretien. Il peut toutefois arriver que de menus objets (pièces de monnaie, boutons) tombent dans la préchambre qui protège la pompe, placée en bas de cette dernière.

! S'assurer que le cycle de lavage est bien terminé et débrancher la fiche.

Pour accéder à cette préchambre:



1. démonter le panneau situé à l'avant du lave-linge à l'aide d'un tournevis (voir figure);



2. dévisser le couvercle en le tournant dans le sens inverse des aiguilles d'une montre (voir figure); il est normal qu'un peu d'eau s'écoule;

3. nettoyer soigneusement l'intérieur;
4. revisser le couvercle;
5. remonter le panneau en veillant à bien enfiler les crochets dans les fentes prévues avant de le pousser contre l'appareil.

Contrôle du tuyau d'arrivée de l'eau

Contrôler le tuyau d'alimentation au moins une fois par an. Procéder à son remplacement en cas de craquèlements et de fissures; car les fortes pressions subies pendant le lavage pourraient provoquer des cassures.

! N'utiliser que des tuyaux neufs.

! Ce lave-linge a été conçu et fabriqué conformément aux normes internationales de sécurité. Ces consignes sont fournies pour des raisons de sécurité, il faut les lire attentivement.

Les consommateurs devront contacter les autorités locales ou leur revendeur concernant la démarche à suivre pour l'enlèvement de leur vieil appareil.

FR

Sécurité générale

- Cet appareil est conçu pour un usage domestique.
- Cet appareil peut être utilisé par les enfants à partir de 8 ans et par les personnes dont les capacités physiques, sensorielles ou mentales sont réduites ou qui ne disposent pas des connaissances suffisantes, à condition qu'ils soient encadrés ou aient été formés de façon appropriée pour l'utilisation de l'appareil de façon sûre et en comprenant les dangers qui y sont liés. Les enfants ne doivent pas jouer avec l'appareil. L'entretien et le nettoyage ne doivent pas être effectués par les enfants sans surveillance.
- Ne jamais toucher l'appareil si l'on est pieds nus et si les mains sont mouillées ou humides.
- Ne jamais tirer sur le câble pour débrancher la fiche de la prise de courant.
- Ne pas ouvrir le tiroir à produits lessiviels si la machine est branchée.
- Ne pas toucher à l'eau de vidange, elle peut atteindre des températures très élevées.
- Ne pas forcer pour ouvrir le hublot: le verrouillage de sécurité qui protège contre les ouvertures accidentelles pourrait s'endommager.
- En cas de panne, éviter à tout prix d'accéder aux mécanismes internes pour tenter une réparation.
- Veiller à ce que les enfants ne s'approchent pas de l'appareil pendant son fonctionnement.
- Pendant le lavage, le hublot a tendance à se réchauffer.
- Deux ou trois personnes sont nécessaires pour déplacer l'appareil avec toutes les précautions nécessaires. Ne jamais le déplacer tout seul car il est très lourd.
- Avant d'introduire le linge, s'assurer que le tambour est bien vide.

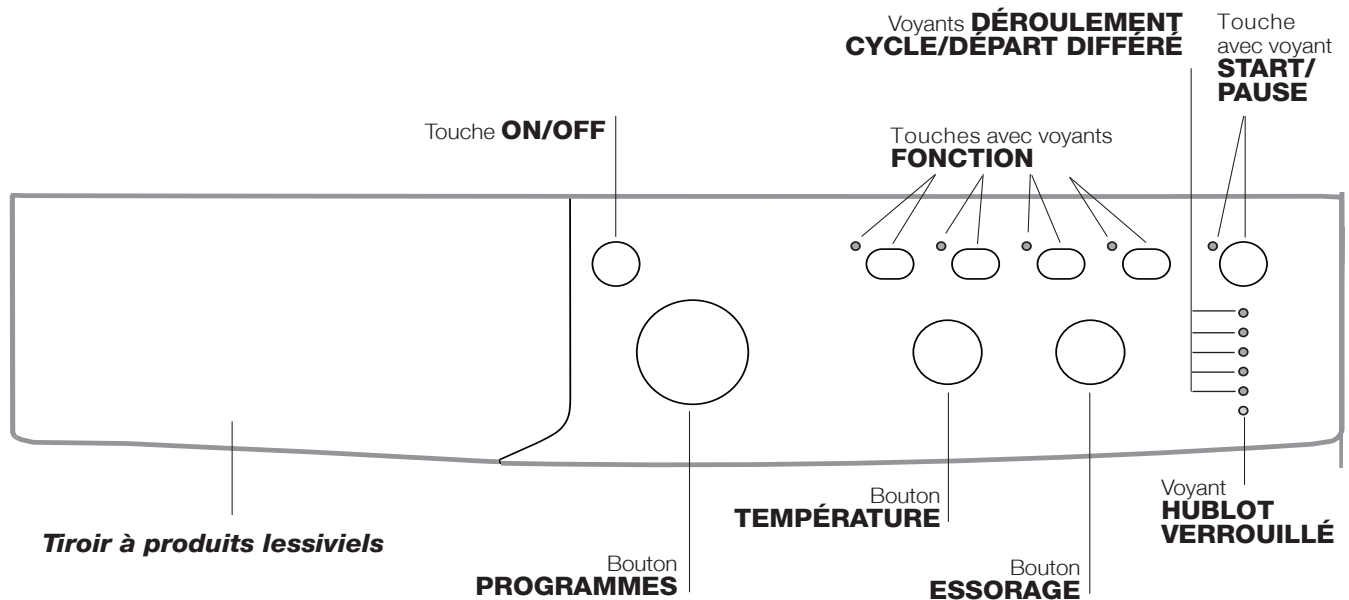
Mise au rebut

- Mise au rebut du matériel d'emballage: se conformer aux réglementations locales de manière à ce que les emballages puissent être recyclés.
- La Directive Européenne 2002/96/EC sur les Déchets des Equipements Electriques et Electroniques, exige que les appareils ménagers usagés ne soient pas jetés dans le flux normal des déchets municipaux. Les appareils usagés doivent être collectés séparément afin d'optimiser le taux de récupération et le recyclage des matériaux qui les composent et réduire l'impact sur la santé humaine et l'environnement. Le symbole de la "poubelle barrée" est apposée sur tous les produits pour rappeler les obligations de collecte séparée.

Description du lave-linge et démarrage d'un programme

FR

Bandeau de commandes



Tiroir à produits lessiviels: pour charger les produits lessiviels et les additifs (voir "Produits lessiviels et linge").

Touche **ON/OFF:** pour allumer ou éteindre le lave-linge.

Bouton **PROGRAMMES:** pour sélectionner les programmes. Pendant le programme, le bouton ne tournera pas.

Touches avec voyants **FONCTION:** pour sélectionner les fonctions disponibles. Le voyant correspondant à la fonction sélectionnée restera allumé.

Bouton **TEMPÉRATURE:** pour sélectionner la température ou un lavage à froid (voir "Personnalisations").


Bouton **ESSORAGE:** pour sélectionner l'essorage ou le supprimer (voir "Personnalisations").

Voyants **DÉROULEMENT CYCLE/DÉPART DIFFÉRE:** pour suivre le stade d'avancement du programme de lavage.

Le voyant allumé indique la phase de lavage en cours. Si la fonction "Départ différé" (départ différé) a été sélectionnée, ils indiquent le temps restant jusqu'au démarrage du programme (voir page ci-contre).

Voyant **HUBLOT VERROUILLÉ:** indique si la porte est verrouillée (voir page ci-contre).

Touche avec voyant **START/PAUSE:** pour démarrer les programmes ou les interrompre momentanément.

N.B.: pour effectuer une pause du lavage en cours, appuyer sur cette touche, le voyant correspondant se mettra à clignoter en orange tandis que celui de la phase en cours restera allumé fixe. Si le voyant HUBLOT VERROUILLÉ  est éteint, on peut ouvrir la porte.

Pour faire redémarrer le lavage exactement de l'endroit où il a été interrompu, appuyer une nouvelle fois sur la touche.

Stand-by

Ce lave-linge, conformément aux nouvelles normes en vigueur dans le domaine de l'économie d'énergie, est équipée d'un système d'extinction automatique (veille) activé après 30 minutes environ d'inutilisation. Appuyez brièvement sur la touche ON/OFF et attendre que la machine soit réactivée.

Consommation en off-mode : 0,5 W

Consommation en Left-on : 0,5 W

Voyants

Les voyants fournissent des informations importantes. Voilà ce qu'ils signalent:

Départ différé

Si la fonction "Départ différé" a été activée (voir "Personnalisations"), le voyant correspondant au temps sélectionné se mettra à clignoter, après avoir lancé le programme:

3h 

6h 

9h 

12h 

Au fur et à mesure que le temps passe, le temps restant est affiché avec clignotement du voyant correspondant.

3h 

6h 

9h 

12h 

Quand le retard sélectionné touche à sa fin le programme sélectionné démarre.

Voyants phase en cours

Une fois que le cycle de lavage sélectionné a démarré, les voyants s'allument progressivement pour indiquer son stade d'avancement:

Lavage 

Rinçage 

Essorage 

Vidange 

Fin de Lavage 

Touches fonction et voyants correspondants

La sélection d'une fonction entraîne l'allumage du voyant correspondant.


Si la fonction sélectionnée est incompatible avec le programme sélectionné, le voyant correspondant se met à clignoter et la fonction n'est pas activée.

Si l'option sélectionnée est incompatible avec une autre fonction précédemment sélectionnée, le voyant correspondant à la première fonction se met à clignoter et seule la deuxième fonction est activée, le voyant de la touche s'allume au fixe.

Voyant hublot verrouillé

Le voyant allumé indique que le hublot est verrouillé pour en empêcher l'ouverture. Attendre que le voyant cesse de clignoter avant d'ouvrir la porte (3 minutes environ). Pour ouvrir le hublot tandis qu'un cycle est en cours, appuyer sur la touche START/PAUSE; si le voyant HUBLOT VERROUILLÉ est éteint, on peut ouvrir le hublot.



Démarrage d'un programme

1. Allumer le lave-linge en appuyant sur la touche ON/OFF. Tous les voyants s'allument pendant quelques secondes puis s'éteignent, seul le voyant START/PAUSE flashe.
2. Charger le linge et fermer le hublot.
3. Sélectionner à l'aide du bouton PROGRAMMES le programme désiré.
4. Sélectionner la température de lavage (voir "Personnalisations").
5. Sélectionner la vitesse d'essorage (voir "Personnalisations").
6. Verser les produits lessiviels et les additifs (voir "Produits lessiviels et linge").
7. Sélectionner les fonctions désirées.
8. Appuyer sur la touche START/PAUSE pour démarrer le programme, le voyant correspondant vert restera allumé en fixe. Pour annuler le cycle sélectionné, appuyer sur la touche START/PAUSE pour placer l'appareil en pause et choisir un nouveau cycle.
9. A la fin du programme, le voyant END s'allume. Quand le voyant HUBLOT VERROUILLÉ  s'éteint, on peut ouvrir le hublot. Sortir le linge et laisser le hublot entrouvert pour faire sécher le tambour. Eteindre le lave-linge en appuyant sur la touche ON/OFF.

Programmes

FR

Tableau des programmes

Programmes	Description du Programme	Temp. maxi. (°C)	Vitesse maxi (tours minute)	Lessive				Charge maxi (Kg)	Humidité résiduelle %	Consommation d'énergie kWh	Eau totale lt	Durée cycle
				Pré-lavage	Lavage	Assou-plissant	Javel					
Programmes Quotidiens (Daily)												
1	Coton avec pré-lavage: blancs extrêmement sales.	90°	1600	●	●	●	-	6	44	2,18	75	150'
2	Coton blanc: blancs extrêmement sales.	90°	1600	-	●	●	●	6	44	2,10	70	140'
3	Coton standard 60°C (1): blancs et couleurs résistantes très sales.	60°	1600	-	●	●	●	6	44	1,03	49	190'
4	Coton standard 40°C (2): blancs et couleurs délicates peu sales.	40°	1600	-	●	●	●	6	44	1,09	92	180'
5	Coton couleurs: blancs peu sales et couleurs délicates.	40°	1600	-	●	●	●	6	44	0,60	50	85'
6	Synthétiques: couleurs résistantes très sales.	60°	800	-	●	●	●	3,5	44	0,93	47	115'
6	Synthétiques (3): couleurs délicates peu sales.	40°	800	-	●	●	●	3,5	44	0,57	46	100'
7	Coton standard 20°C: blancs et couleurs délicates peu sales.	20°	1600	-	●	●	●	6	-	-	-	170'
Spéciaux (Special)												
8	Laine: pour laine, cachemire, etc.	40°	800	-	●	●	-	1,5	-	-	-	70'
9	Soie et voilages: pour linge en soie, viscose, lingerie.	30°	0	-	●	●	-	1	-	-	-	55'
10	Jeans	40°	800	-	●	●	-	3,5	-	-	-	75'
11	Express: pour rafraîchir rapidement du linge peu sale (ne convient pas pour la laine, la soie et le linge à laver à la main).	30°	800	-	●	●	-	1,5	71	0,19	31	15'
Sport												
12	Sport Intensif	30°	600	-	●	●	-	2,5	-	-	-	85'
13	Sport Léger	30°	600	-	●	●	-	2,5	-	-	-	60'
14	Baskets	30°	600	-	●	●	-	Max. 2 paires	-	-	-	60'
Programmes partiels												
	Rinçage	-	1600	-	-	●	●	6	-	-	-	36'
	Essorage + Vidange	-	1600	-	-	-	-	6	-	-	-	16'

La durée du cycle indiquée sur l'écran ou dans la notice représente une estimation calculée dans des conditions standard. Le temps effectif peut varier en fonction de nombreux facteurs tels que : température et pression de l'eau en entrée, température ambiante, quantité de lessive, quantité et type de charge, équilibrage de la charge, options supplémentaires sélectionnées.

1) Programme de contrôle selon la directive 1061/2010: sélectionner le programme 3 et une température de 60°C.

Ce cycle convient au lavage d'une charge de coton normalement sale et c'est le plus performant en termes de consommation d'eau et d'énergie, l'utiliser pour du linge lavable à 60°C. La température effective de lavage peut différer de la température indiquée.

2) Programme de contrôle selon la directive 1061/2010: sélectionner le programme 4 et une température de 40°C.

Ce cycle convient au lavage d'une charge de coton normalement sale et c'est le plus performant en termes de consommation d'eau et d'énergie, l'utiliser pour du linge lavable à 40°C. La température effective de lavage peut différer de la température indiquée.

Pour tous les instituts qui effectuent ces tests :

2) Programme coton long: sélectionner le programme 4 et une température de 40°C.

3) Programme Synthétique ainsi que: sélectionner le programme 6 et une température de 40°C.

Programme coton standard 20 °C (programme 7): idéal pour des charges de linge sale en coton. Les bonnes performances, même à froid, comparables à celles d'un lavage à 40°, sont assurées grâce à une action mécanique qui brasse en variant la vitesse et avec des pics répétés et rapprochés.

Express: spécialement conçu pour laver du linge peu sale en un rien de temps: il ne dure que 15 minutes et permet ainsi de faire des économies d'énergie et de temps. La sélection de ce programme (11 à 30°C) permet de laver ensemble des textiles différents (sauf laine et soie) en ne dépassant pas 1,5 kg de charge.

Sport Intensif (programme 12): est spécialement conçu pour laver des textiles vêtements de sport (survêtements, shorts, etc.) très sales; pour obtenir d'excellents résultats nous recommandons de ne pas dépasser la charge maximale indiquée dans le "Tableau des programmes".

Sport Léger (programme 13): est spécialement conçu pour laver des textiles vêtements de sport (survêtements, shorts, etc.) peu sales; pour obtenir d'excellents résultats nous recommandons de ne pas dépasser la charge maximale indiquée dans le "Tableau des programmes". Nous recommandons d'utiliser de la lessive liquide, avec une dose pour la demi-charge.

Baskets (programme 14): est spécialement conçu pour laver des chaussures de sport; pour obtenir d'excellents résultats nous recommandons de ne pas en laver plus de 2 paires à la fois.

Sélection de la température

Tourner le bouton TEMPÉRATURE pour sélectionner la température de lavage (voir *Tableau des programmes*).

La température peut être abaissée jusqu'au lavage à froid .

La machine interdira automatiquement toute sélection d'une température supérieure à la température maximale prévue pour chaque programme.

Sélection de l'essorage

Tourner le bouton ESSORAGE pour sélectionner la vitesse d'essorage du programme sélectionné.

Les vitesses maximales prévues pour les programmes sont:

Programmes	Vitesse maximale
Coton	1600 tours/minute
Synthétiques	800 tours/minute
Laine	800 tours/minute
Soie	vidange seule

La vitesse d'essorage peut être réduite ou l'essorage supprimé en sélectionnant le symbole .

La machine interdira automatiquement tout essorage à une vitesse supérieure à la vitesse maximale prévue pour chaque programme.

Fonctions

Les différentes fonctions de lavage prévues par le lave-linge permettent d'obtenir la propreté et le blanc souhaités.


Pour activer les fonctions:

1. appuyer sur la touche correspondant à la fonction désirée;
2. l'allumage du voyant correspondant signale que la fonction est activée.

Remarque: Le clignotement rapide du voyant signale que la fonction correspondante n'est pas disponible pour le programme sélectionné.


Ec@Time

La sélection de cette option permet d'optimiser les mouvements mécaniques, la température et l'eau en fonction d'une charge réduite de coton et synthétiques peu sales (voir *"Tableau des programmes"*). "Ec@Time" permet de laver en faisant des économies considérables de temps et de consommations d'eau et d'énergie. Il est conseillé d'utiliser une dose de lessive liquide adaptée à la charge.

! Cette fonction n'est pas activable avec les programmes 1, 2, 7, 8, 9, 10, 11, 12, 13, 14, .

Anti-tâches

Cycle de anti-tâches conseillé pour l'élimination de taches très résistantes. N'oubliez pas de verser l'eau de Javel dans le bac supplémentaire 4 (voir *"Cycle blanchissage"*).

! Cette option n'est pas activable avec les programmes 1, 8, 9, 10, 11, 12, 13, 14, .

Super Rinçage

La sélection de cette option permet d'augmenter l'efficacité du rinçage et d'éliminer totalement toute trace de lessive. Elle est très utile pour les peaux particulièrement sensibles.

! Cette fonction n'est pas activable avec les programmes 11, .

Départ différé

Pour différer la mise en marche de la machine jusqu'à 12 heures.

Appuyer plusieurs fois de suite sur la touche jusqu'à ce que le voyant correspondant au retard souhaité s'allume. A la cinquième pression sur la touche, la fonction se désactive.

N.B: Après avoir appuyé sur la touche START/PAUSE, le retard programmé ne peut être modifié que pour le diminuer jusqu'à lancer le programme sélectionné.

! Il est activé avec tous les programmes.

Produits lessiviels et linge

FR

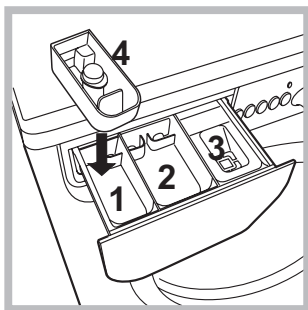
Tiroir à produits lessiviels

Un bon résultat de lavage dépend aussi d'un bon dosage de produit lessiviel: un excès de lessive ne lave pas mieux, il incruste l'intérieur du lave-linge et pollue l'environnement.

! Ne pas utiliser de lessives pour lavage à la main, elles moussent trop.

! Utiliser des lessives en poudre pour du linge en coton blanc et en cas de pré-lavage et de lavages à une température supérieure à 60°C.

! Respecter les indications figurant sur le paquet de lessive.



Sortir le tiroir à produits lessiviels et verser la lessive ou l'additif comme suit.

bac 1: Lessive pré-lavage (en poudre)

Avant d'introduire la lessive, assurez-vous que le bac supplémentaire 4 n'est pas présent.

bac 2: Lessive lavage (en poudre ou liquide)

Verser la lessive liquide juste avant la mise en marche.

bac 3: Additifs (adoucissant, etc.)

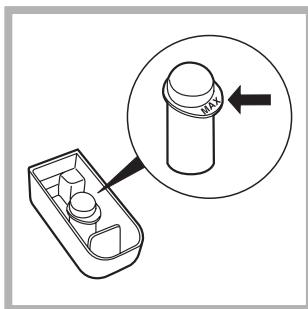
L'assouplissant ne doit pas déborder de la grille.

bac supplémentaire 4: Eau de javel

! N'utilisez pas de lessives pour lavage à la main, elles génèrent trop de mousse.

Cycle blanchissage

! N'utilisez de l'eau de Javel **traditionnelle** que pour les tissus blancs résistants et des détachants **déliçats** pour les couleurs, les synthétiques et la laine.



Montez le bac supplémentaire 4 fourni avec l'appareil à l'intérieur du bac 1.

Lorsque vous versez l'eau de Javel, attention à ne pas dépasser le niveau "max" indiqué sur le pivot central (voir figure).

Pour blanchir uniquement, versez l'eau de Javel dans le bac supplémentaire 4, sélectionnez le programme «Rinçage» et activez la fonction «Anti-tâches».

Pour blanchir en cours de lavage, versez le produit lessiviel et les additifs, sélectionnez le programme souhaité et activez la fonction «Anti-tâches».

L'utilisation du bac supplémentaire 4 exclut le pré-lavage.

Triage du linge

- Trier correctement le linge d'après:
 - le type de textile / le symbole sur l'étiquette.
 - les couleurs: séparer le linge coloré du blanc.
- Vider les poches et contrôler les boutons.
- Ne pas dépasser les valeurs indiquées dans le "Tableau des programmes" correspondant au poids de linge sec.

Combien pèse le linge ?

- 1 drap 400-500 g
- 1 taie d'oreiller 150-200 g
- 1 nappe 400-500 g
- 1 peignoir 900-1200 g
- 1 serviette éponge 150-250 g

Linge ou vêtements particuliers

Laine: grâce au programme 8 vous pouvez laver à la machine tous vos vêtements en laine, y compris ceux qui portent l'étiquette " lavage à la main uniquement ".

Pour obtenir d'excellents résultats utilisez un produit lessiviel spécial et ne dépassez pas une charge de 1,5 kg.

Soie: sélectionner le programme de lavage spécial 9 pour vêtements en soie. Il est conseillé d'utiliser une lessive spéciale pour linge délicat.

Rideaux: pliez-les bien et glissez-les dans une taie d'oreiller ou dans un sac genre filet. Sélectionner le programme 9.

Jeans: mettez les jeans à l'envers avant de les laver et utilisez une lessive liquide. Sélectionnez le programme 10.

Système d'équilibrage de la charge

Avant tout essorage, pour éviter toute vibration excessive et répartir le linge de façon uniforme, le lave-linge fait tourner le tambour à une vitesse légèrement supérieure à la vitesse de lavage. Si au bout de plusieurs tentatives, la charge n'est toujours pas correctement équilibrée, l'appareil procède à un essorage à une vitesse inférieure à la vitesse normalement prévue. En cas de déséquilibre excessif, le lave-linge préfère procéder à la répartition du linge plutôt qu'à son essorage. Pour une meilleure répartition de la charge et un bon équilibrage, nous conseillons de mélanger de grandes et petites pièces de linge.

Il peut arriver que le lave-linge ne fonctionne pas bien. Avant d'appeler le Service de dépannage (voir "Assistance"), contrôler s'il ne s'agit pas par hasard d'un problème facile à résoudre à l'aide de la liste suivante.

Anomalies:

Causes / Solutions possibles:

Le lave-linge ne s'allume pas.

- La fiche n'est pas branchée dans la prise de courant ou mal branchée.
- Il y a une panne de courant.

Le cycle de lavage ne démarre pas.

- Le hublot n'est pas bien fermé.
- La touche ON/OFF n'a pas été enfoncée.
- La touche START/PAUSE n'a pas été enfoncée.
- Le robinet de l'eau n'est pas ouvert.
- Un départ différé a été sélectionné (voir "Personnalisations").

Il n'y a pas d'arrivée d'eau (le voyant de la première phase de lavage clignote rapidement).

- Le tuyau d'arrivée de l'eau n'est pas raccordé au robinet.
- Le tuyau est plié.
- Le robinet de l'eau n'est pas ouvert.
- Il y a une coupure d'eau.
- La pression n'est pas suffisante.
- La touche START/PAUSE n'a pas été enfoncée.

Le lave-linge prend l'eau et vidange continuellement.

- Le tuyau de vidange n'est pas installé à une distance du sol comprise entre 65 et 100 cm (voir "Installation").
- L'extrémité du tuyau de vidange est plongée dans l'eau (voir "Installation").
- L'évacuation murale n'a pas d'évent.

Si après ces vérifications, le problème persiste, fermer le robinet de l'eau, éteindre la machine et appeler le service Assistance. Si l'appartement est situé en étage dans un immeuble, il peut y avoir des phénomènes de siphonnage qui font que le lave-linge prend et évacue l'eau continuellement. Pour supprimer cet inconvénient, on trouve dans le commerce des soupapes spéciales anti-siphonnage.

Le lave-linge ne vidange pas et n'essore pas.

- Le programme ne prévoit pas de vidange: pour certains programmes, il faut la faire partir manuellement.
- Le tuyau de vidange est plié (voir "Installation").
- La conduite d'évacuation est bouchée.

Le lave-linge vibre beaucoup pendant l'essorage.

- Le tambour n'a pas été débloqué comme il faut lors de l'installation du lave-linge (voir "Installation").
- Le lave-linge n'est pas posé à plat (voir "Installation").
- Le lave-linge est coincé entre des meubles et le mur (voir "Installation").

Le lave-linge a des fuites.

- Le tuyau d'arrivée de l'eau n'est pas bien vissé (voir "Installation").
- Le tiroir à produits lessiviels est bouché (pour le nettoyer voir "Entretien et soin").
- Le tuyau de vidange n'est pas bien fixé (voir "Installation").

Les voyants des options et le voyant START/PAUSE clignotent. Le voyant du phase de lavage et le voyant hublot verrouillé restent fixes.

- Eteindre l'appareil et débrancher la fiche de la prise de courant, attendre 1 minute environ avant de rallumer.
Si l'anomalie persiste, appeler le service d'assistance.

Il y a un excès de mousse.

- Le produit de lavage utilisé n'est pas une lessive spéciale machine (il faut qu'il y ait l'inscription "pour lave-linge", "main et machine", ou autre semblable).
- La quantité utilisée est excessive.

Assistance

FR

Avant d'appeler le service après-vente:

- Vérifier si on ne peut pas résoudre l'anomalie par ses propres moyens (voir "*Anomalies et Remèdes*");
- Remettre le programme en marche pour contrôler si l'inconvénient a disparu;
- Autrement, contacter le Centre d'Assistance technique agréé au numéro de téléphone indiqué sur le certificat de garantie.

! Ne jamais s'adresser à des techniciens non agréés.

Communiquer:

- le type de panne;
- le modèle de l'appareil (Mod.);
- son numéro de série (S/N).

Ces informations se trouvent sur la plaque signalétique apposée à l'arrière du lave-linge et à l'avant quand on ouvre la porte hublot.

NL

Nederlands

IWC 6165

Inhoud

Installatie, 26-27

Uitpakken en waterpas zetten
Hydraulische en elektrische aansluitingen
Eerste wascyclus
Technische gegevens

Onderhoud en verzorging, 28

Afsluiten van water en stroom
Reinigen van de wasautomaat
Reinigen van het wasmiddelbakje
Onderhoud van deur en trommel
Reinigen van de pomp
Controleren van de buis van de watertoevoer

Voorzorgsmaatregelen en advies, 29

Algemene veiligheid
Afvalverwijdering

Beschrijving van de wasautomaat en starten van een programma, 30-31

Bedieningspaneel
Controlelampjes
Een programma starten

Programma's, 32

Programmatabel

Persoonlijke instellingen, 33

Instellen van de temperatuur
Instellen van de centrifuge
Functies

Wasmiddelen en wasgoed, 34

Wasmiddelbakje
Bleekcyclus
Vorbereiden van het wasgoed
Bijzondere kledingstukken
Balanceersysteem van de lading

Storingen en oplossingen, 35

Service, 36

Installatie

NL

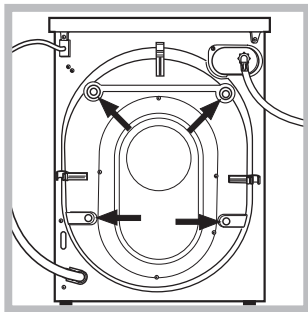
! Het is belangrijk deze handleiding te bewaren voor latere raadpleging. In het geval u het apparaat verkoopt, of u verhuist, moet het boekje bij de wasautomaat blijven zodat de nieuwe gebruiker de functies en betreffende raadgevingen kan doornemen.

! Lees de instructies aandachtig door: u vindt er belangrijke informatie betreffende installatie, gebruik en veiligheid.

Uitpakken en waterpas zetten

Uitpakken

1. De wasautomaat uitpakken.
2. Controleer of de wasautomaat geen schade heeft geleden gedurende het vervoer. Indien dit wel het geval is moet hij niet worden aangesloten en moet u contact opnemen met de handelaar.

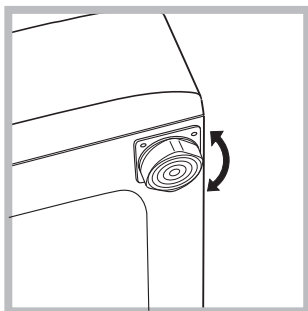


3. Verwijder de 4 schroeven die het apparaat beschermen tijdens het vervoer en de rubberen ring met bijbehorende afstandslider die zich aan de achterkant bevinden (zie afbeelding).

4. Sluit de openingen af met de bijgeleverde plastic doppen.
 5. Bewaar alle onderdelen: mocht de wasautomaat ooit worden vervoerd, dan moeten deze weer worden aangebracht.
- ! Het verpakkingsmateriaal is geen speelgoed voor kinderen.

Waterpas zetten

1. Installeer de wasautomaat op een rechte en stevige vloer en laat hem niet steunen tegen een muur, meubel of dergelijke.

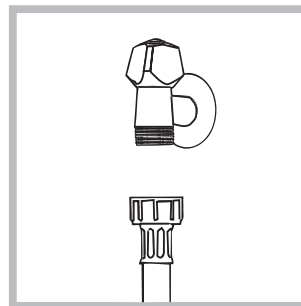


2. Als de vloer niet volledig horizontaal is kunt u de onregelmatigheid opheffen door de stelvoetjes aan de voorkant losser of vaster te schroeven (zie afbeelding); de

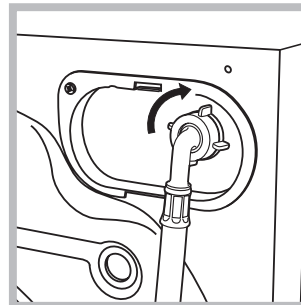
inclinatiehoek, gemeten ten opzichte van het werkvlak, mag de 2° niet overschrijden. Een correcte nivellering geeft de machine stabiliteit en voorkomt trillingen, lawaai en het zich verplaatsen van de automaat tijdens de werking. In het geval van vloerbedekking of een tapijt regelt u de stelvoetjes zodanig dat onder de wasmachine genoeg plaats is voor ventilatie.

Hydraulische en elektrische aansluitingen

Aansluiting van de watertoevoerbuis



1. Sluit de toevoerbuis aan op de koudwaterkraan met een mondstuk met schroefdraad van 3/4 gas (zie afbeelding). Voordat u de wasautomaat aansluit moet u het water laten lopen totdat het helder is.



2. Verbind de watertoevoerbuis aan de wasautomaat door hem op de betreffende watertoevoer te schroeven, rechtsboven aan de achterkant (zie afbeelding).

3. Let erop dat er geen knellingen of kronkels in de buis zijn.

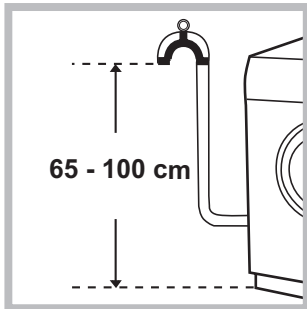
! De waterdruk van de kraan moet zich binnen de waarden van de tabel Technische Gegevens bevinden (zie bladzijde hiernaast).

! Als de toevoerbuis niet lang genoeg is moet u zich wenden tot een gespecialiseerde winkel of een bevoegde installateur.

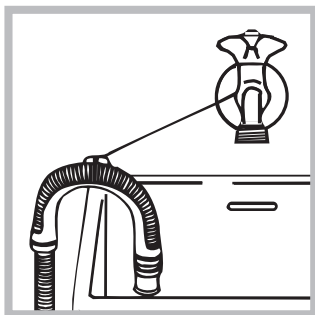
! Gebruik nooit tweedehands buizen.

! Gebruik de buizen die bij het apparaat worden geleverd.

Aansluiting van de afvoerbuīs



Verbind de buīs, zonder hem te buigen, aan een afvoerleiding of aan een afvoer in de muur tussen de 65 en 100 cm van de grond



af of hang hem aan de rand van een wasbak of badkuip, en bind de bijgeleverde steun aan de kraan (zie afbeelding). Het uiteinde van de afvoerslang mag niet onder water hangen.

! Gebruik nooit verlengstukken voor de buīs; indien dit niet te vermijden is moet het verlengstuk dezelfde doorsnede hebben als de oorspronkelijke buīs en mag hij niet langer zijn dan 150 cm.

Elektrische aansluiting

Voordat u de stekker in het stopcontact steekt moet u zich ervan verzekeren dat:

- het stopcontact geaard is en voldoet aan de geldende normen;
- het stopcontact het maximum vermogen van de wasautomaat kan dragen, zoals aangegeven in de tabel Technische Gegevens (zie hiernaast);
- de spanning zich bevindt tussen de waarden die zijn aangegeven in de tabel Technische Gegevens (zie hiernaast);
- de contactdoos geschikt is voor de stekker van de wasautomaat. Indien dit niet zo is moet de stekker of het stopcontact vervangen worden.

! De wasautomaat mag niet buitenshuis worden geïnstalleerd, ook niet op een beschutte plaats, aangezien het gevaarlijk is hem aan regen en onweer bloot te stellen.

! Als de wasautomaat is geïnstalleerd moet het stopcontact gemakkelijk te bereiken zijn.

! Gebruik geen verlengsnoeren of dubbelstekkers.

! Het snoer mag niet gebogen of samengedrukt worden.

! De voedingskabel mag alleen door een bevoegde installateur worden vervangen.

Belangrijk! De fabrikant kan niet aansprakelijk worden gesteld wanneer deze normen niet worden nageleefd.

Eerste wascyclus

Na de installatie en voor u de wasautomaat in gebruik neemt, dient u een wascyclus uit te voeren met wasmiddel maar zonder wasgoed, op het programma 2.

Technische gegevens

Model	IWC 6165
Afmetingen	breedte cm 59,5 hoogte cm 85 diepte cm 53,5
Vermogen	van 1 tot 6 kg
Elektrische aansluitingen	zie het typeplaatje met de technische eigenschappen dat op het apparaat is bevestigd
Aansluiting waterleiding	max. druk 1 MPa (10 bar) min. druk 0,05 MPa (0,5 bar) Inhoud trommel 52 liters
Snelheid centrifuge	tot 1600 toeren per minuut
Controleprogramma's volgens de richtlijnen 1061/2010 en 1015/2010	programma 3; standaardprogramma voor katoen op 60°C. programma 4; standaardprogramma voor katoen op 40°C.
	Deze apparatuur voldoet aan de volgende EEC voorschriften: - 2004/108/CE (Elektromagnetische compatibiliteit) - 2002/96/CE - 2006/95/CE (Laagspanning)

Onderhoud en verzorging

NL

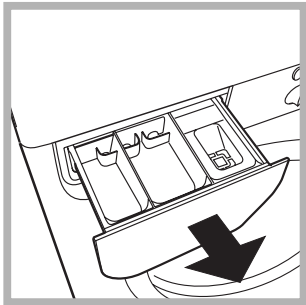
Afsluiten van water en stroom

- Sluit na iedere wasbeurt de kraan af. Hiermee beperkt u slijtage van de waterinstallatie van de wasmachine en voorkomt u lekkage.
- Sluit altijd eerst de stroom af voordat u de wasautomaat gaat schoonmaken en gedurende onderhoudswerkzaamheden.

Reinigen van de wasautomaat

De buitenkant en de rubberen onderdelen kunnen met een spons en een lauw sopje worden schoongemaakt. Gebruik nooit schuurmiddelen of oplosmiddelen.

Reinigen van het wasmiddelbakje



Verwijder het bakje door het op te lichten en naar voren te trekken (zie afbeelding). Was het onder stromend water. Dit moet u regelmatig doen.

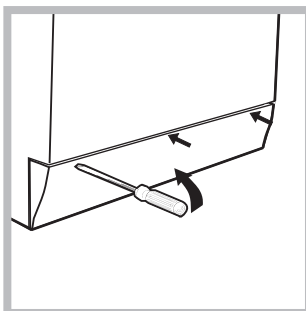
Onderhoud van deur en trommel

- Laat de deur altijd op een kier staan om nare luchtjes te vermijden.

Reinigen van de pomp

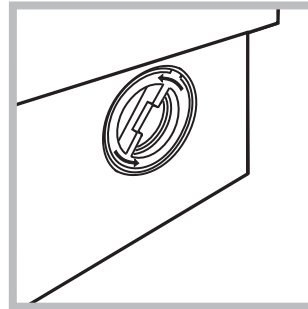
De wasautomaat is voorzien van een zelfreinigende pomp en hoeft dus niet te worden onderhouden. Het kan echter gebeuren dat kleine voorwerpen (muntjes, knopen) in het voorvakje dat de pomp beschermt en zich aan de onderkant ervan bevindt, terechtkomen.

! Verzeker u ervan dat de wascyclus klaar is en haal de stekker uit het stopcontact.



Toegang tot het voorvakje:

1. verwijder het afdekpaneel aan de voorkant van de wasautomaat met behulp van een schroevendraaier (zie afbeelding);



2. draai het deksel eraf, tegen de klok in (zie afbeelding); het is normaal dat er een beetje water uit komt;

3. maak de binnenkant goed schoon;
4. schroef het deksel er weer op;
5. monteer het paneel weer, met de haakjes goed bevestigd in de juiste openingen, voordat u het paneel tegen de machine aandrukt.

Controleren van de buis van de watertoevoer

Controleer minstens eenmaal per jaar de slang van de watertoevoer. Als er barstjes of scheuren in zitten moet hij vervangen worden: gedurende het wassen kan de hoge waterdruk onverwachts breuken veroorzaken.

! Gebruik nooit tweedehands buizen.

! De wasmachine is ontworpen en geproduceerd volgens de internationale veiligheidsnormen. Deze aanwijzingen zijn voor uw eigen veiligheid geschreven en moeten aandachtig worden doorgenomen.

Algemene veiligheid

- Dit apparaat is uitsluitend ontworpen voor huishoudelijk niet-professioneel gebruik.
- Dit apparaat mag alleen door kinderen van 8 jaar en ouder, door personen met een beperkt lichamelijk, sensorieel of geestelijk vermogen, of met onvoldoende ervaring of kennis worden gebruikt, mits ze worden begeleid, of wanneer zij toereikende instructies hebben gekregen betreffende het veilige gebruik van het apparaat en mits zij op de hoogte zijn van de betreffende gevaren. Kinderen mogen niet met het apparaat spelen. Onderhoud en reiniging mogen niet door kinderen zonder supervisie worden uitgevoerd.
- Raak de machine niet aan als u blootsvoets bent of met natte of vochtige handen of voeten.
- Trek de stekker nooit uit het stopcontact door aan het snoer te trekken, maar altijd door de stekker zelf beet te pakken.
- Open het wasmiddelbakje niet terwijl de machine in werking is.
- Raak het afvoerwater niet aan aangezien het zeer heet kan zijn.
- Forceer de deur nooit: het veiligheidsmechanisme dat een ongewild openen van de deur voorkomt, kan beschadigd worden.
- Probeer in geval van storingen nooit zelf de interne mechanismen van de wasautomaat te repareren.
- Zorg ervoor dat kleine kinderen niet te dicht bij de machine komen als deze in werking is.
- De deur kan tijdens het wassen zeer heet worden.
- Als de machine verplaatst moet worden, doe dit dan met twee of drie personen tegelijk en zeer voorzichtig. Doe dit nooit alleen, want het apparaat is erg zwaar.
- Voordat u het wasgoed in de automaat laadt, moet u controleren of hij leeg is.

Afvalverwijdering

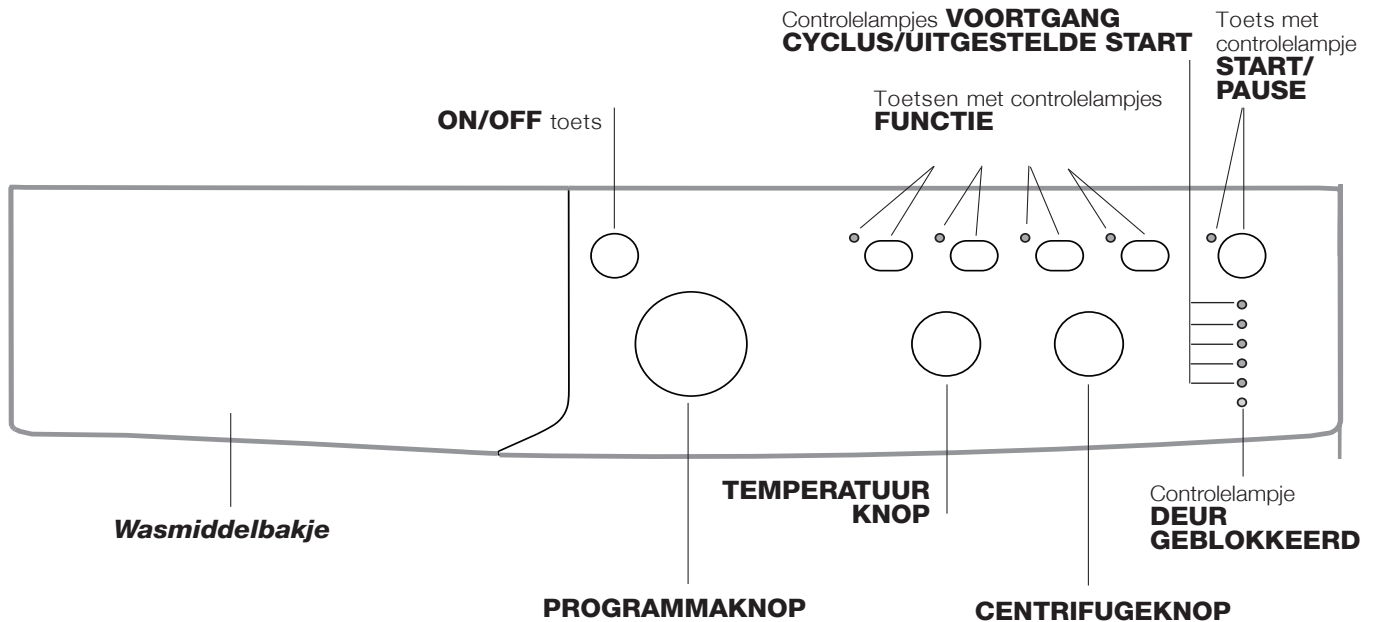
- Het wegdoen van het verpakkingsmateriaal: houdt u aan de plaatselijke normen zodat het materiaal hergebruikt kan worden.
- De Europese Richtlijn 2002/96/EC over Vernietiging van Elektrische en Electronische Apparatuur, vereist dat oude huishoudelijke elektrische apparaten niet mogen vernietigd via de normale ongesorteerde afvalstroom. Oude apparaten moeten apart worden ingezameld om zo het hergebruik van de gebruikte materialen te optimaliseren en de negatieve invloed op de gezondheid en het milieu te reduceren. Het symbool op het product van de

“afvalcontainer met een kruis erdoor” herinnert u aan uw verplichting, dat wanneer u het apparaat vernietigt, het apparaat apart moet worden ingezameld.

Consumenten moeten contact opnemen met de lokale autoriteiten voor informatie over de juiste wijze van vernietiging van hun oude apparaat.

Beschrijving van de wasautomaat en starten van een programma

Bedieningspaneel



Wasmiddelbakje: voor wasmiddelen en wasversterkers (zie "Wasmiddelen en wasgoed").

Toets **ON/OFF:** voor het in- en uitschakelen van de wasautomaat.

PROGRAMMAKNOP: voor het instellen van de programma's. Gedurende het programma blijft de knop stilstaan.

Toetsen met controlelampje **FUNCTIE:** voor het selecteren van de beschikbare functies. Het controlelampje van de gekozen functie zal aanblijven.

CENTRIFUGEKNOP: voor het instellen of uitsluiten van de centrifuge (zie "Persoonlijke Instellingen").

TEMPERATUURKNOP: voor het instellen van de temperatuur of koud wassen (zie "Persoonlijke Instellingen").

Controlelampjes **VOORTGANG CYCLUS/UITGESTELDE START:** voor het volgen van het verloop van het wasprogramma.

Het controlelampje geeft de lopende fase weer. Als de functie "Uitgestelde start" is ingesteld, tonen de lampjes de tijd die resteert tot het starten van het programma (zie pagina hiernaast).

Controlelampje **DEUR GEBLOKKEERD:** om te zien of de deur kan worden geopend (zie pagina hiernaast).

Toets met controlelampje **START/PAUSE:** om programma's te starten of ze tijdelijk te onderbreken.

N.B.: om de lopende wascyclus te pauzeren drukt u op deze toets. Het oranje licht van het betreffende controlelampje zal gaan knipperen terwijl het lampje van de lopende fase vast aan zal blijven staan. Als het controlelampje DEUR GEBLOKKEERD uit is, kunt u het deurtje openen. Om het programma te hervatten drukt u opnieuw op deze toets.

Stand- by modus

Deze wasautomaat beschikt, in overeenkomst met de nieuwe normen betreffende de energiebesparing, over een systeem wat het apparaat automatisch na 30 minuten uitschakelt (stand-by) indien men het niet gebruikt. Druk kort op de ON/OFF toets en wacht tot de wasautomaat weer aangaat.

Gebruik in off-mode: 0,5 W

Gebruik in Left-on: 0,5 W

Controlelampjes

De controlelampjes geven belangrijke informatie. Ze geven informatie over:

Uitgestelde start

Als de functie "Uitgestelde Start" is geactiveerd (zie "Persoonlijke Instellingen") zal, nadat het programma is gestart, het controlelampje dat bij de uitgestelde start hoort gaan knipperen:

3h 

6h 

9h 

12h 

Naar gelang de tijd verloopt wordt de resterende wachttijd getoond, met het knipperen van het betreffende controlelampje:

3h 

6h 

9h 

12h 

Als de geselecteerde vertraging is verlopen zal het ingestelde programma van start gaan.


Controlelampjes lopende fase

Als u de gewenste wascyclus heeft geselecteerd en gestart gaan de controlelampjes één voor één aan om te tonen op welk punt de cyclus is:

Hoofdwash 

Spoelen 

Centrifuge 

Waterafvoer 

Einde hoofdwash 


Functietoetsen en betreffende controlelampjes

Als u een functie selecteert gaat het bijbehorende controlelampje aan. Als de gekozen functie niet geschikt is voor het ingestelde programma gaat het betreffende controlelampje knipperen en zal de functie niet worden geactiveerd. Als de geselecteerde functie niet compatibel is met een optie die daarvoor is ingesteld, zal het controlelampje van de eerder geselecteerde functie gaan knipperen en zal alleen de tweede functie worden geactiveerd; het controlelampje van de geactiveerde functie zal aangaan.

Controlelampje deur geblokkeerd:

Als het controlelampje aan is betekent het dat de deur is geblokkeerd om te verhinderen dat hij per ongeluk wordt geopend. Om het deurtje te openen moet u wachten tot het controlelampje uitgaat (wacht circa 3 minuten). Om de deur te openen tijdens de wascyclus drukt u op de knop START/PAUSE; als het controlelampje DEUR GEBLOKKEERD uit is, kunt u het deurtje openen.



Een programma starten

- Schakel de wasautomaat in met de ON/OFF toets. Alle controlelampjes gaan een paar seconden aan en gaan dan weer uit en het controlelampje START/PAUSE knippert.
- Laad het wasgoed in en sluit de deur.
- Stel het gewenste programma in met de PROGRAMMAKNOP.
- Stel de wastemperatuur in (zie "Persoonlijke instellingen").
- Stel het centrifuge-toerental in (zie "Persoonlijke instellingen").
- Voeg wasmiddel en wasversterkers toe (zie "Wasmiddelen en wasgoed").
- Selecteer de gewenste functies.
- Start het programma door op de START/PAUSE toets te drukken. Het betreffende controlelampje zal een vast groen licht vertonen. Om de ingestelde cyclus te annuleren zet u de wasautomaat op pauze door op de START/PAUSE toets te drukken en een nieuwe cyclus te kiezen.
- Aan het einde van het programma gaat het controlelampje **END** aan. Als het controlelampje DEUR GEBLOKKEERD  uitgaat, kunt u het deurtje openen. Haal het wasgoed eruit en laat de deur op een kier staan zodat de trommel kan drogen. Schakel de wasautomaat uit in met de ON/OFF toets.

Programma's

NL

Programmatabel

Programma's	Beschrijving van het Programma	Maximale Temp (°C)	Maximaal toerental (toeren per minuut)	Wasmiddel				Maximale lading (kg)	Overgebleven vochtigheid %	Energieverbruik kWh	Totaal water lt	Duur cyclus
				Voorwas	Wassen	Wasverzachter	Bleekmiddel					
Dagelijkse was (Daily)												
1	Katoen met voorwas: zeer vuile witte was.	90°	1600	●	●	●	-	6	44	2,18	75	150'
2	Katoen: Zeer vuile witte was.	90°	1600	-	●	●	●	6	44	2,10	70	140'
3	Standaardprogramma voor katoen op 60° (1): zeer vuil wit en kleurecht bont wasgoed.	60°	1600	-	●	●	●	6	44	1,03	49	190'
4	Standaardprogramma voor katoen op 40° (2): niet zo vuile witte en bonte fijne was.	40°	1600	-	●	●	●	6	44	1,09	92	180'
5	Katoen bont delicaat: niet zo vuile witte en bonte was.	40°	1600	-	●	●	●	6	44	0,60	50	85'
6	Synthetisch: zeer vuile kleurvaste bonte was.	60°	800	-	●	●	●	3,5	44	0,93	47	115'
6	Synthetisch (3): niet zo vuile kleurvaste bonte was.	40°	800	-	●	●	●	3,5	44	0,57	46	100'
7	Standaardprogramma voor katoen op 20°: niet zo vuile witte en bonte fijne was.	20°	1600	-	●	●	●	6	-	-	-	170'
Speciale was (Special)												
8	Wol: voor wol, kasjmier, etc.	40°	800	-	●	●	-	1,5	-	-	-	70'
9	Zijde/Gordijnen: voor zijde, viscose, lingerie.	30°	0	-	●	●	-	1	-	-	-	55'
10	Jeans	40°	800	-	●	●	-	3,5	-	-	-	75'
11	Express: voor het snel oprispen van niet zo vuil wasgoed (niet geschikt voor wol, zijde en handwas).	30°	800	-	●	●	-	1,5	71	0,19	31	15'
Sport												
12	Sport Intensief	30°	600	-	●	●	-	2,5	-	-	-	85'
13	Sport Licht	30°	600	-	●	●	-	2,5	-	-	-	60'
14	Sport Schoenen	30°	600	-	●	●	-	Max. 2 paar.	-	-	-	60'
Delprogramma's												
	Spoelen	-	1600	-	-	●	●	6	-	-	-	36'
	Centrifugereren + Afpompen	-	1600	-	-	-	-	6	-	-	-	16'

De duur van de cyclus die wordt aangegeven op het display of op de gebruiksaanwijzing is een geschatte waarde die wordt gecalculereerd bij standaard omstandigheden. De effectieve tijd kan variëren aan de hand van talloze factoren zoals temperatuur en druk van de watertoevoer, de kamertemperatuur, de hoeveelheid wasmiddel, de hoeveelheid en type lading, de balancerings van de was en de geselecteerde aanvullende opties.

1) Controleprogramma volgens de directive 1061/2010: selecteer het programma 3 met een temperatuur van 60°C.

Dit is de geschiktste cyclus voor het wassen van een middelmatig vuile lading katoenen wasgoed. Het is ook de efficiëntste cyclus v.w.b. het gecombineerde verbruik van energie en water, voor wasgoed dat op 60°C kan worden gewassen. De effectieve wastemperatuur kan verschillen van de temperatuur die wordt aangegeven.

2) Controleprogramma volgens de directive 1061/2010: selecteer het programma 4 met een temperatuur van 40°C.

Dit is de geschiktste cyclus voor het wassen van een middelmatig vuile lading katoenen wasgoed. Het is ook de efficiëntste cyclus v.w.b. het gecombineerde verbruik van energie en water, voor wasgoed dat op 40°C kan worden gewassen. De effectieve wastemperatuur kan verschillen van de temperatuur die wordt aangegeven.

Voor alle Test Institutes:

2) Programma katoen lang: selecteer het programma 4 met een temperatuur van 40°C.

3) Programma synthetisch lang: selecteer het programma 6 met een temperatuur van 40°C.

Standaardprogramma voor katoen op 20°C (programma 7) ideaal voor een lading vuil katoen. De optimale prestaties, zelf met koud water, die kunnen worden vergeleken met een wascyclus op 40°C, worden gegarandeerd door een mechanische werking die de snelheid varieert met herhaaldelijke en zeer dicht op elkaar liggende piekvariëaties.

Express (programma 11) is bedoeld voor het snel wassen van niet zo vuil wasgoed: het duurt slechts 15 minuten en bespaart dus elektriciteit en tijd. Met het programma (11 op 30 °C) kunt u verschillende soorten stoffen samen wassen (behalve zijde en wol) met een lading van max. 1,5 kg.

Sport Intensief (programma 12) is ontwikkeld voor het wassen van zeer vuile sportkleding (trainingspakken, sportbroeken, enz.). Om optimale resultaten te bereiken raden wij u aan nooit de maximaal aangegeven hoeveelheid te overschrijden die staat aangegeven in de "Programmatabel".

Sport Licht (programma 13) is ontwikkeld voor het wassen van niet zo vuile sportkleding (trainingspakken, sportbroeken, enz.). Om optimale resultaten te bereiken raden wij u aan nooit de maximaal aangegeven hoeveelheid te overschrijden die staat aangegeven in de "Programmatabel". We raden u aan een vloeibaar wasmiddel te gebruiken, met een hoeveelheid die voldoende is voor een halve lading.

Sport Schoenen (programma 14) is ontwikkeld voor het wassen van sportschoenen. Voor optimale resultaten dient u nooit meer dan 2 paar tegelijk te wassen.

Instellen van de temperatuur

Door aan de TEMPERATUURKNOP te draaien kunt u de wastemperatuur instellen (zie *Programmatabel*).

De temperatuur kan verlaagd worden tot aan koud wassen .

De machine voorkomt dat u een temperatuur instelt die hoger is dan het maximum voorzien voor dat programma.

Instellen van de centrifuge

Door aan de CENTRIFUGEKNOP te draaien stelt u de snelheid van de centrifuge van het gekozen programma in.

De maximum snelheden voorzien voor de programma's zijn:

Programma's	Maximum snelheid
Katoen	1600 toeren per minuut
Synthetisch	800 toeren per minuut
Wol	800 toeren per minuut
Zijde	alleen waterafvoer

U kunt de snelheid van de centrifuge verminderen, of uitsluiten met het symbool .

De machine voorkomt automatisch dat er een centrifuge wordt uitgevoerd die sneller is dan het maximum voorzien voor dat programma.

Functies

De verschillende functies van de wasautomaat zorgen voor de door u gewenste schone en witte was.

Voor het activeren van de functies:

1. druk op de toets die bij de gewenste functie hoort;
2. het aangaan van het betreffende controlelampje geeft aan dat de functie actief is.

N.B.: Het snel knipperen van het lampje geeft aan dat de bijbehorende functie niet gekozen kan worden bij het ingestelde programma.

EcoTime

Als u deze optie selecteert zullen de mechanische beweging, de temperatuur en het water geoptimaliseerd worden voor een beperkte lading van niet zo vuil katoenen en synthetisch wasgoed (zie *"Programmatabel"*). Met "EcoTime" kunt u wassen in een kortere tijd en kunt u water en energie besparen. We raden u aan een hoeveelheid vloeibaar wasmiddel te gebruiken die voldoet voor een halve lading.

! Deze optie kan niet worden geactiveerd bij de programma's 1, 2, 7, 8, 9, 10, 11, 12, 13, 14, , .

Bleken

Bleekprogramma in staat de meest hardnekkige vlekken te verwijderen. Vergeet niet bleekwater in het hiervoor bestemde bakje 4 te gieten (zie *"Bleekcyclus"*).

! Deze optie kan niet worden geactiveerd bij de programma's 1, 8, 9, 10, 11, 12, 13, 14, .

Extra Spoelen

Door deze functie te selecteren verhoogt u het spoelresultaat en zorgt u ervoor dat elk spoor van wasmiddel verdwijnt. Deze optie is vooral nuttig bij personen met een gevoelige huid.

! Deze optie kan niet worden geactiveerd bij de programma's 11, .

Uitgestelde Start

Stelt de start van de wasautomaat tot aan 12 uur uit.

Druk meerdere malen op de toets totdat het controlelampje dat bij de gewenste vertraging hoort aangaat. Bij de vijfde druk op de toets wordt de functie uitgeschakeld.

N.B.: Als de START/PAUSE knop eenmaal is ingedrukt kan de vertraging alleen verminderd worden voor u het ingestelde programma van start doet gaan.

! Deze optie is bij alle programma's mogelijk.

Wasmiddelen en wasgoed

NL

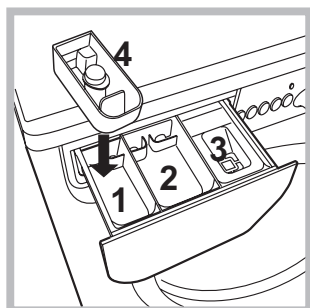
Wasmiddelbakje

Een goed wasresultaat hangt ook af van de juiste dosis wasmiddel: te veel wasmiddel maakt het wassen niet beter. Het wasmiddel blijft aan de binnenzijde van de wasautomaat zitten en zorgt voor het vervuilen van het milieu.

! Gebruik nooit wasmiddelen voor handwas aangezien die te veel schuim vormen.

! Gebruik waspoeder voor witte katoenen was, voor de voorwas en voor het wassen op temperaturen van meer dan 60°C.

! Volg de aanwijzingen op de wasmiddelverpakking.



Trek het laatje naar voren en giet het wasmiddel of de wasversterker er als volgt in:

bakje 1: Wasmiddel voor voorwas (poeder)

Voordat u het wasmiddel erin strooit moet u controleren of het bakje 4 is verwijderd.

bakje 2: Wasmiddel voor hoofdwash (poeder of vloeibaar)

Het vloeibare wasmiddel moet vlak voor de start in het bakje worden gegoten.

bakje 3: Wasversterkers (wasverzachter, enz.)

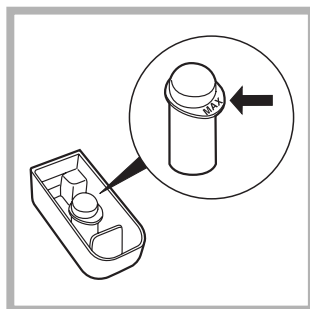
De wasverzachter mag niet boven het roostertje uitkomen.

extra bakje 4: Bleekmiddel

Bleekcyclus

! Het **traditionele** bleekmiddel kan alleen voor stevig wit wasgoed gebruikt worden, terwijl het **delicate** bleekmiddel geschikt is voor gekleurde stoffen, synthetische stoffen en wol.

Plaats het bijgeleverde extra bakje 4 in bakje 1. Let er bij het gieten van het bleekwater op dat het niveau "max", aangegeven op de centrale pin, niet wordt overschreden (zie afb.).



Als u alleen wilt bleken giet u het bleekwater in het extra bakje 4, stelt u het programma "Spoelen" \approx en activeert u de functie "Bleken" (E).

Voor bleken tijdens het wassen giet u het wasmiddel en de toevoegmiddelen in de bakjes, stelt u het gewenste programma in en activeert u de functie "Bleken" (E). Gebruik van het extra bakje 4 sluit het voorwassen uit.

Voorbereiden van het wasgoed

- Verdeel het wasgoed volgens:
 - het soort stof / het symbool op het etiket.
 - de kleuren: scheid de bonte was van de witte was.
- Leeg de zakken en controleer de knopen.
- Overschrijd het aangegeven gewicht, berekend voor droog wasgoed, nooit: zie "Programmatabel".

Hoeveel weegt wasgoed?

- 1 laken 400-500 g.
- 1 sloop 150-200 g.
- 1 tafelkleed 400-500 g.
- 1 badjas 900-1200 g.
- 1 handdoek 150-250 g.

Bijzondere kledingstukken

Wol: met het programma 8 is het mogelijk alle wollen kledingstukken in de wasautomaat te wassen, ook die met het etiket "alleen handwas" W . Voor de beste resultaten dient u een specifiek wasmiddel te gebruiken en nooit de 1,5 kg wasgoed te overschrijden.

Zijde: gebruik het speciale programma 9 om alle zijden kledingstukken te wassen. We raden u aan een speciaal wasmiddel voor fijne was te gebruiken.

Gordijnen: vouw de gordijnen en doe ze in de bijgeleverde zak. Gebruik het programma 9.

Jeans: draai de kledingstukken binnenstebuiten voor u ze wast en gebruik een vloeibaar wasmiddel. Gebruik het programma 10.

Balanceersysteem van de lading

Om overmatige trillingen te vermijden verdeelt de automaat de lading voor het centrifugeren op een gelijkmatige manier. Dit gebeurt door de trommel te laten draaien op een snelheid die iets hoger ligt dan de wassnelheid. Als na herhaaldelijke pogingen de lading nog steeds niet goed is gebalanceerd, zal de wasautomaat de centrifuge op een lagere snelheid uitvoeren dan die voorzien was. Als de lading zeer uit balans is zal de wasautomaat een verdeling uitvoeren in plaats van een centrifuge. Teneinde een betere distributie van de waslading en een juiste balancering te bereiken raden wij u aan kleine en grote kledingstukken te mengen.

Het kan gebeuren dat de wasautomaat niet werkt. Voor u contact opneemt met de Servicedienst (zie "Service") moet u controleren of het niet een storing betreft die u zelf makkelijk kunt verhelpen met behulp van de volgende lijst.

Storingen:

De wasautomaat gaat niet aan.

Mogelijke oorzaken / Oplossing:

- De stekker zit niet in het stopcontact of niet ver genoeg om contact te maken.
- Het hele huis zit zonder stroom.

De wascyclus start niet.

- De deur zit niet goed dicht.
- De ON/OFF toets is niet ingedrukt.
- De START/PAUSE toets is niet ingedrukt.
- De waterkraan is niet open.
- De uitgestelde start is ingesteld (zie "Persoonlijke Instellingen").

De wasautomaat heeft geen watertoevoer (het controlelampje van de eerste wasfase knippert snel).

- De watertoevoerbuis is niet aangesloten op de kraan.
- De buis is gebogen.
- De waterkraan is niet open.
- Het hele huis zit zonder water.
- Er is onvoldoende druk.
- De START/PAUSE toets is niet ingedrukt.

De wasautomaat blijft water aan- en afvoeren.

- De afvoerbuis is niet op 65 tot 100 cm afstand van de grond af geïnstalleerd (zie "Installatie").
- Het uiteinde van de afvoerbuis ligt onder water (zie "Installatie").
- De afvoer in de muur heeft geen ontluchting.

Als na deze controles het probleem niet is opgelost, moet u de waterkraan dichtdraaien, de wasautomaat uitzetten en de Servicedienst inschakelen. Als u op een van de hoogste verdiepingen van een flatgebouw woont kan zich een hevelingsprobleem voordoen, waarbij de wasautomaat voortdurend water aan- en afvoert. Om deze storing te verhelpen zijn er in de handel speciale beluchters te koop.

De wasautomaat voert het water niet af of centrifugeert niet.

- Het programma voorziet geen afvoer: bij enkele programma's moet dit met de hand worden gestart (zie "Starten en Programma's").
- De afvoerbuis is gebogen (zie "Installatie").
- De afvoerleiding is verstopt.

De machine trilt erg tijdens het centrifugereren.

- De trommel is bij het installeren niet op de juiste wijze gedeblokkeerd (zie "Installatie").
- De wasautomaat staat niet goed recht (zie "Installatie").
- De wasautomaat staat te krap tussen meubels en muur (zie "Installatie").

De wasautomaat lekt.

- De buis van de watertoevoer is niet goed aangeschroefd (zie "Installatie").
- Het wasmiddelbakje is verstopt (voor reiniging zie "Onderhoud en verzorging").
- De afvoerbuis is niet goed aangesloten (zie "Installatie").

De controlelampjes van de "opties" en het controlelampje "START/PAUSE" gaan knipperen, en een van de controlelampjes van de "lopende fase" en van "deur geblokkeerd" blijven vast aanstaan.

- Doe de wasautomaat uit en haal de stekker uit het stopcontact. Wacht circa 1 minuut en doe hem daarna weer aan. Als de storing voortzet, dient u de Servicedienst in te schakelen.

Er ontstaat teveel schuim.

- Het wasmiddel is niet bedoeld voor wasautomaten (er moet "voor wasautomaat", "handwas en machinewas", of dergelijke op staan).
- U heeft teveel wasmiddel gebruikt.

Voordat u de Servicedienst inschakelt:

- Controleer eerst of u het probleem zelf kunt oplossen (zie “Storingen en oplossingen”).
- Start het programma opnieuw om te controleren of de storing is verholpen;
- Als dit niet het geval is moet u contact opnemen met de erkende Technische Servicedienst via het telefoonnummer dat op het garantiebewijs staat.

! Wendt u nooit tot een niet erkende installateur.

Vermeld:

- het type storing;
- het model van de machine (Mod.);
- het serienummer (S/N);

Deze informatie vindt u op het typeplaatje aan de achterkant van de wasautomaat en aan de voorzijde als u het deurtje opendoet.

SE

Svenska

IWC 6165

Innehållsförteckning

Installation, 38-39

Uppackning och nivellering
Anslutningar av vatten och el
Första tvättcykeln
Tekniska data

Underhåll och skötsel, 40

Avstängning av vatten och el
Rengöring av tvättmaskinen
Rengöring av tvättmedelslådan
Skötsel av luckan och trumman
Rengöring av pumpen
Kontrollera vatteninloppsslangen

Råd och föreskrifter, 41

Säkerhet i allmänhet
Kassering

Beskrivning av tvättmaskinen och starta ett program, 42-43

Kontrollpanel
Kontrollampor
Starta ett program

Program, 44

Programtabell

Specialanpassningar, 45

Inställning av temperaturen
Inställning av centrifugeringen
Funktioner

Tvättmedel och tvättgods, 46

Tvättmedelsfack
Blekningscykel
Förbered tvättgodset
Särskilda plagg
Balanseringssystem för lasten

Fel och åtgärder, 47

Service, 48

Installation

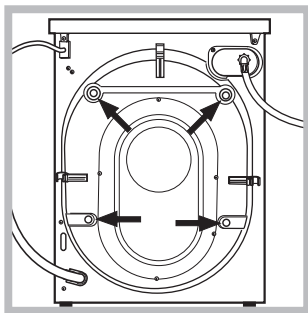
SE

! Det är viktigt att förvara denna bruksanvisning så att den alltid finns till hands. Vid försäljning, överlåtelse eller flytt ska du försäkra dig om att bruksanvisningen förblir tillsammans med tvättmaskinen så att den nye ägaren kan ta del av dess information och varningar.
! Läs noggrant anvisningarna: Det finns viktig information angående installation, användning och säkerhet.

Uppackning och nivellering

Uppackning

1. Ta ur tvättmaskinen ur förpackningen.
2. Kontrollera att tvättmaskinen inte skadats under transporten. Om det skulle finnas skador ska du inte ansluta den utan kontakta återförsäljaren.

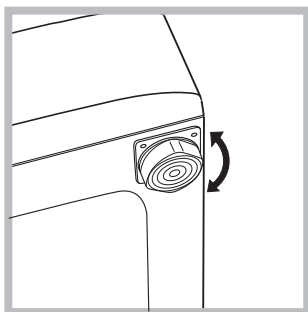


3. Ta bort de 4 skruvarna, som skyddat maskinen under transporten, samt gummidelen med dess avståndsbricka, som sitter på bakstycket (se figur).

4. Stäng igen hålen med de medföljande plastpluggarna.
 5. Spar alla delar: Om tvättmaskinen måste flyttas ska de monteras tillbaka.
- ! Emballagematerialet ska inte användas som leksaker för barn.

Nivellering

1. Installera tvättmaskinen på ett hårt och jämnt underlag utan att stödja den mot väggar, möbler eller annat.

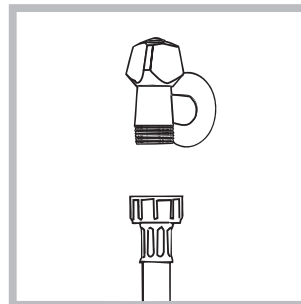


2. Om golvet inte skulle vara fullständigt plant kan ojämnheten kompenseras genom att de främre fötterna dras åt eller lossas (se figur). Lutningsvinkeln, mätt på arbetsplanet, får inte överstiga 2°.

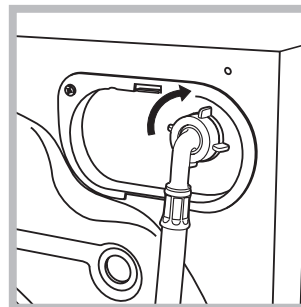
En ordentligt utförd nivellering ger maskinen stabilitet och hindrar uppkomsten av vibrationer, buller samt att maskinen flyttar sig under användningen. Om golvet har heltäckningsmatta eller en annan matta ska fötterna justeras på så sätt att det finns tillräckligt utrymme under tvättmaskinen för ventilationen.

Anslutningar av vatten och el

Anslutning av vatteninloppsslangen



1. Anslut inloppslangens ände och skruva fast den på en kallvattenkran som har en öppning med 3/4 gasgång (se figur). Innan du ansluter slangen ska du låta vattnet rinna tills det är helt klart.



2. Anslut inloppsslangen till tvättmaskinen genom att skruva fast den till det avsedda vattenuttaget i den bakre delen uppe till höger (se figur).

3. Se till att slangen inte har några veck eller är hopklämd.

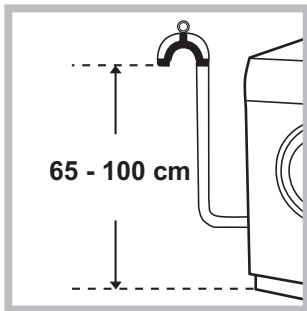
! Kranens vattentryck måste befinna sig inom de värden som finns i tabellen över Tekniska Data (se sidan intill).

! Om längden på inloppsslangen inte är tillräcklig ska du vända dig till fackhandeln eller en auktoriserad tekniker.

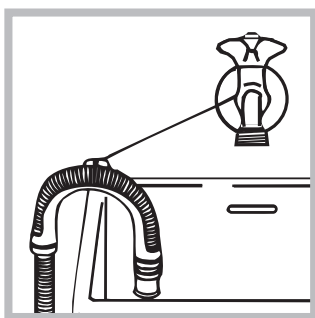
! Använd aldrig begagnade slangar.

! Använd slangarna som följer med maskinen.

Anslutning av avloppsslang



Anslut avloppsslangen, utan att böja den, till en avloppsledning eller ett väggavlopp som är placerat på en höjd mellan 65 och 100 cm från golvet,



eller lägg den i ett handfat eller ett badkar och bind fast den bifogade skenan på kranen (se figur). Den fria slangänden får inte vara nedsänkt i vatten.

! Vi avråder från att använda förlängnings-slangar; om det ändå skulle vara nödvändigt måste förlängningsslangen ha samma diameter som originalslangen och den får inte vara längre än 150 cm.

Elektrisk anslutning

Innan du sätter i kontakten i uttaget ska du försäkra dig om att:

- Väggtutttaget är jordanslutet och i enlighet med gällande standard.
- Uttaget klarar maskinens maxeffekt som anges i tabellen över Tekniska Data (se intill).
- Spänningstillförseln befinner sig inom de värden som anges i tabellen över Tekniska Data (se intill).
- Uttaget passar ihop med tvättmaskinens stickkontakt. Om det inte förhåller sig på detta vis ska du byta ut uttaget eller kontakten.

! Tvättmaskinen får inte installeras utomhus, inte ens om installationsplatsen skyddas av ett tak, eftersom det är mycket farligt att utsätta den för regn och oväder.

! När tvättmaskinen har installerats ska strömuttaget vara lättåtkomligt.

! Använd inte skarvsladdar eller grenuttag.



! Kabeln ska inte böjas eller klämmas.

! Driftsladden får endast bytas ut av behöriga tekniker.

OBS! Företaget avsäger sig allt ansvar om dessa föreskrifter inte respekteras.

Första tvättcykeln

Efter installationen, innan du börjar använda maskinen, ska du köra en tvättcykel med tvättmedel men utan tvättgods, genom att ställa in programmet **2**.

Tekniska data	
Modell	IWC 6165
Mått	Bredd 59,5 cm Höjd 85 cm Djup 53,5 cm
Kapacitet	Från 1 till 6 kg
Elektriska anslutningar	Se märkskylten med tekniska egenskaper som sitter på maskinen.
Vattenanslutningar	Max. tryck 1 MPa (10 bar) Min. tryck 0,05 MPa (0,5 bar) Trummans kapacitet 52 liter
Centrifugeringshastighet	Upp till 1600 varv/min
Kontrollprogram enligt standard 1061/2010 och 1015/2010	Program 3; Standardprogram bomull 60°C. Program 4; Standardprogram bomull 40°C.
 	Denna apparat överensstämmer med följande EU-direktiv: - 2004/108/EG (Elektromagnetisk kompatibilitet) - 2002/96/EG - 2006/95/EG (Lågspänningsdirektiv).

Underhåll och skötsel

SE

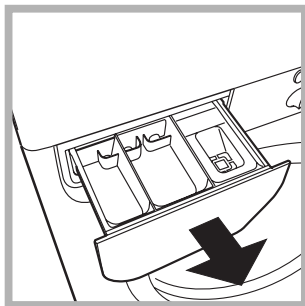
Avstängning av vatten och el

- Stäng av vattenkranen efter varje tvätt. På så sätt begränsas slitaget av tvättmaskinens vattensystem och risken för läckage undviks.
- Ta ur kontakten ur uttaget när du gör rent tvättmaskinen och under underhållsingenjören.

Rengöring av tvättmaskinen

De yttre delarna och gummidelarna kan göras rent med en trasa indränkt med ljummen tvållösning. Använd inte lösningsmedel eller slipmedel.

Rengöring av tvättmedelslådan



Dra ut facket genom att lyfta upp det och dra det utåt (se figur). Tvätta det under rinnande vatten. Denna rengöring ska utföras ofta.

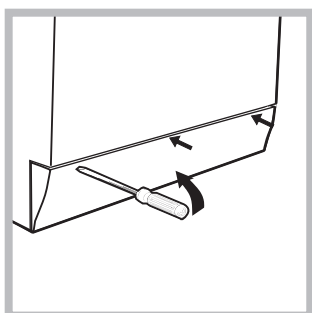
Skötsel av luckan och trumman

- Lämna alltid luckan på glänt för att hindra att dålig lukt bildas.

Rengöring av pumpen

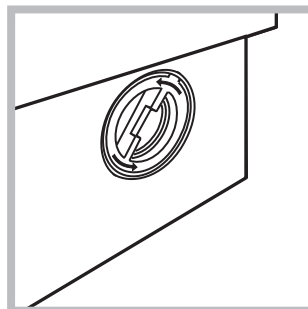
Tvättmaskinen är försedd med en självrengörande pump som inte behöver något underhåll. Det kan dock hända att små föremål (mynt, knappar) faller ned i förkammaren, som skyddar pumpen, och som är placerad i dess nedre del.

! Försäkra dig om att tvättcykeln är avslutad och ta ur kontakten.



För att komma åt förkammaren:

1. Ta bort skyddspanelen på tvättmaskinens framsida med hjälp av en skruvmejsel (se figur).



2. Lossa locket genom att vrida det moturs (se figur): Det är normalt att lite vatten rinner ut.

3. Gör rent insidan noggrant.
4. Skruva tillbaka locket.
5. Montera tillbaka panelen, och försäkra dig om att krokarna förts in i de avsedda hålen, innan du skjuter den mot maskinen.

Kontrollera vatteninloppsslangen

Kontrollera inloppsslangen minst en gång om året. Om den har sprickor eller skårar ska den bytas ut: Under tvättcyklerna kan plötsliga brott uppstå på grund av det starka trycket.

! Använd aldrig begagnade slangar.

! Tvättmaskinen har utarbetats och tillverkats i överensstämmelse med internationell säkerhetsstandard. Dessa säkerhetsföreskrifter bifogas av säkerhetsskäl och ska läsas noggrant.

Säkerhet i allmänhet

- Denna utrustning har tillverkats för att endast användas i hemmet.
- Denna utrustning kan användas av barn från 8 år och uppåt samt av personer med nedsatta fysiska, sensorisk eller mentala förmågor eller med bristande erfarenhet och kunskap om de övervakas av eller har instruerats på ett lämpligt sätt angående en säker användning av utrustningen och förstår riskerna i samband med användningen. Barn får inte leka med utrustningen. Rengörings- och underhållsmomenten får inte utföras av barn utan en vuxens tillsyn.
- Rör inte i tvättmaskinen om du är barfota eller med fuktiga händer eller fötter.
- Ta inte ut stickkontakten ur vägguttaget genom att dra i elkabeln. Ta istället tag i stickkontakten.
- Öppna inte tvättmedelsfacket när maskinen är igång.
- Rör inte avloppsvattnet eftersom det kan bli vara mycket varmt.
- Öppna aldrig luckan med våld: säkerhetsmekanismen som skyddar mot att den öppnas ofrivilligt kan skadas.
- I händelse av fel ska du aldrig utföra ingrepp på inre mekanismer för att utföra reparationer.
- Kontrollera alltid att inga barn närmar sig maskinen då den är igång.
- Under tvättcykeln blir luckan varm.
- Om tvättmaskinen måste flyttas ska detta ske med försiktighet och av minst två eller tre personer. Detta ska inte göras av en enda person eftersom maskinen är mycket tung.
- Innan du lägger in tvätten ska du kontrollera att trumman är tom.

Kassering

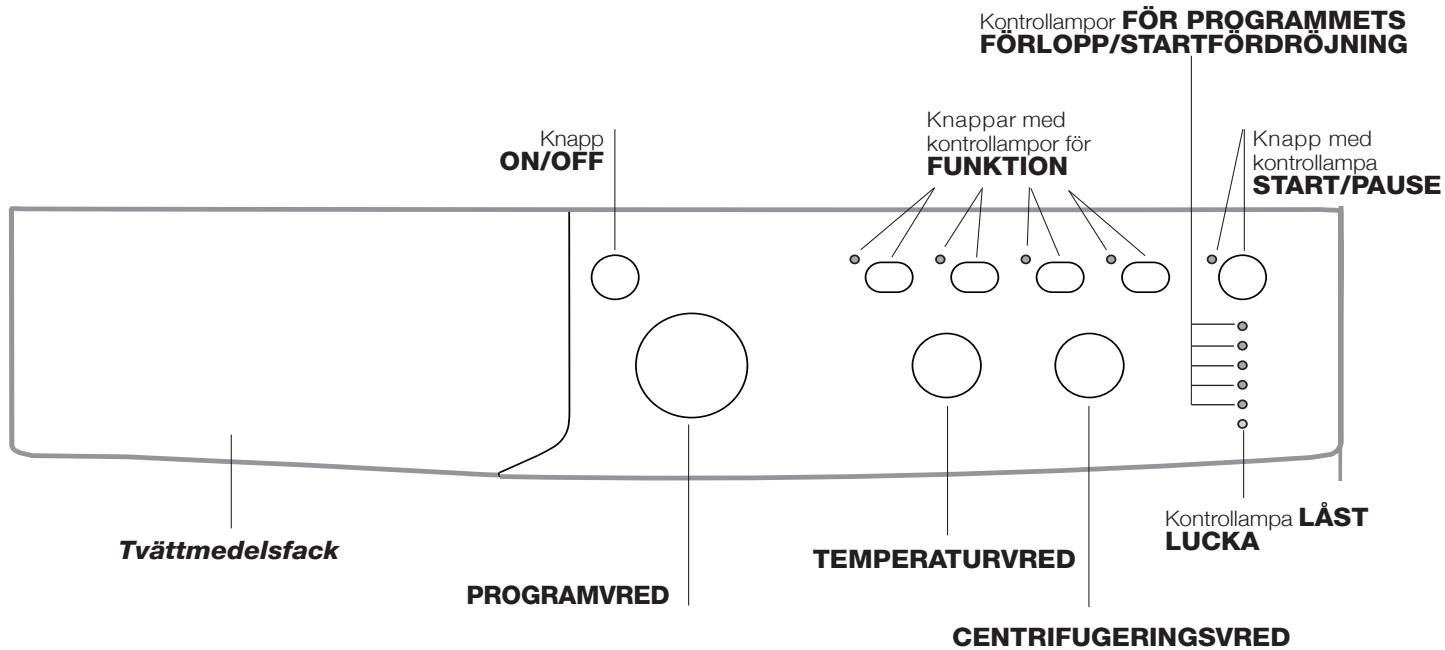
- Kassering av emballagematerial: Respektera gällande lokala föreskrifter, på så sätt kan emballaget återanvändas.
- Det europeiska direktivet 2002/96/EC gällande Waste Electrical and Electronic Equipment (hantering av förbrukad elektrisk och elektronisk utrustning), kräver att gammal hushålls elektronik INTE kasseras tillsammans med det vanliga osorterade avfallet. Förbrukad utrustning måste samlas ihop separat för att optimera materialåtervinnandet samt att reducera negativ inverkan på miljön och människors hälsa. Symbolen av en överkryssad soptunna påminner dig om din skyldighet att hantera den förbrukade utrustningen separat.

Du kan kontakta din kommun eller lokala återförsäljare för ytterligare information gällande hantering av förbrukad elektronisk utrustning.

Beskrivning av tvättmaskinen och starta ett program

Kontrollpanel

SE



Tvättmedelsfack för att fylla på tvättmedel och tillsatser (se "Tvättmedel och tvättgods").

Knapp **ON/OFF**: För att sätta på och stänga av tvättmaskinen.

PROGRAMVRED: För att ställa in programmen. Under programmet förblir vredet stilla.

Knappar med kontrollampor för **FUNKTION**: För att välja de funktioner som finns tillgängliga. Kontrollampen för den valda funktionen förblir tänd.

CENTRIFUGERINGSVRED: För att aktivera eller deaktivera centrifugeringen (se "Specialanpassningar").

TEMPERATURVRED: För att ställa in temperaturen eller tvätt i kallt vatten (se "Specialanpassningar").

Kontrollampor **FÖR PROGRAMMETS FÖRLOPP/STARTFÖRDRÖJNING**: För att följa framskridandet av tvättprogrammet.

Tänd kontrollampa indikerar pågående fas.

Om "Startfördröjning" funktionen har ställts in visar de hur lång tid som återstår innan programmet startas (se sidan intill).

Kontrollampa för **LÅST LUCKA**: För att veta om luckan kan öppnas (se sidan intill).

Knapp med kontrollampa **START/PAUSE**: För att starta eller avbryta programmen tillfälligt.

OBS! Tryck på denna knapp för att avbryta pågående tvättning. Respektive kontrollampa blinkar orange och kontrollampen för pågående fas lyser med fast sken. Om kontrollampen **LÅST LUCKAN** är släckt kan luckan öppnas.

Tryck åter på denna knapp för att återstarta tvättningen från den punkt där den har avbrutits.

Standby-läge

Denna tvättmaskin överensstämmer med ny lagstiftning om energibesparing och är försedd med ett självavstängningssystem (standby) som aktiveras 30 minuter efter att maskinen inte längre används. Tryck kort på ON/OFF-knappen och vänta tills maskinen startar på nytt.

Förbrukning i off-mode: 0,5 W

Förbrukning i Left-on: 0,5 W

Kontrollampor

Kontrollamporna förser dig med viktig information. De upplyser dig om:

Startfördröjning

Om funktionen "Startfördröjning" (se "Specialanpassningar") har aktiverats efter att programmet har startats, börjar kontrollampan för vald fördröjning att blinka:

3h 

6h 

9h 

12h 

Efter en stund kommer kontrollampan att börja blinka för att visa hur lång tid som återstår:

3h 

6h 




9h 

12h 

När den tid som ställts in för fördröjd start har förflutit startar inställt program.

Kontrollampor för pågående fas

När önskat tvättprogram har valts och startats, tänds kontrollamporna successivt för att upplysa om hur programmet framskrider.

Tvätt	
Sköljning	
Centrifugering	
Tömning	
Avslutad tvätt	

Funktionsknappar och respektive kontrollampor

När en funktion väljs tänds respektive kontrollampa.


Om den funktion som valts inte är förenlig med det inställda programmet, kommer respektive kontrollampa att blinka och funktionen aktiveras inte.

Om vald funktion inte är kompatibelt med ett tidigare valt tillval, blinkar kontrollampan för det första tillvalet som har valts och endast det andra tillvalet aktiveras. Kontrollampan för det aktiverade tillvalet tänds.

Kontrollampa för låst lucka

Tänd kontrollampa meddelar att luckan är låst för att förhindra att den öppnas. För att öppna luckan är det nödvändigt att vänta (ca 3 minuter) tills kontrollampan släcks. För att öppna luckan under pågående tvättprogram, tryck på knappen START/PAUSE. Om kontrollampan LUCKLÅS är släckt går det att öppna luckan.



Starta ett program

1. Sätt på tvättmaskinen genom att trycka på knappen ON/OFF. Under några sekunder tänds alla kontrollampor för att därefter slockna och kontrollampan START/PAUSE blinkar.
2. Lasta tvätten och stäng luckan.
3. Ställ in önskat program med PROGRAMVREDET.
4. Ställ in tvättemperaturen (se "Specialanpassningar").
5. Ställ in centrifugeringshastigheten (se "Specialanpassningar").
6. Fyll på tvättmedel och tillsatser (se "Tvättmedel och tvättgods").
7. Välj önskade funktioner.
8. Starta programmet med knappen START/PAUSE och respektive kontrollampa fortsätter att lysa med grönt fast sken. Sätt maskinen i pausläge, tryck på knappen START/PAUSE för att radera inställt program och välj ett nytt program.
9. I slutet av programmet tänds kontrollampan **END**. Om kontrollampan LÅST LUCKA  är släckt kan luckan öppnas. Ta ur tvätten och lämna luckan på glänt så att trumman torkar. Stäng av tvättmaskinen genom att trycka på knappen ON/OFF.

Program

SE

Programtabell

Program	Beskrivning av programmet	Max. temp. (°C)	Max. hastighet (varv/min)	Tvättmedel				Max. last (kg)	Restfuktighet %	Energiförbrukning Wh	Total vattenanvändning lt	Programmets längd
				Förvätt	Tvätt	Sköljmedel	Blekmedel					
Daily												
1	Bomull Förvätt 90°: mycket smutsig vittvätt.	90°	1600	●	●	●	-	6	44	2,18	75	150'
2	Bomull: mycket smutsig vittvätt.	90°	1600	-	●	●	●	6	44	2,10	70	140'
3	Standardprogram bomull 60°C (1): mycket smutsig tålig vit- och kulörvätt.	60°	1600	-	●	●	●	6	44	1,03	49	190'
4	Standardprogram bomull 40°C (2): mycket smutsig ömtålig vit- och kulörvätt.	40°	1600	-	●	●	●	6	44	1,09	92	180'
5	Färgad Bomull: lätt smutsig vittvätt och ömtåliga färger.	40°	1600	-	●	●	●	6	44	0,60	50	85'
6	Syntet: mycket smutsig tålig kulörvätt.	60°	800	-	●	●	●	3,5	44	0,93	47	115'
6	Syntet energisk (3): lätt smutsig tålig kulörvätt.	40°	800	-	●	●	●	3,5	44	0,57	46	100'
7	Standardprogram bomull 20°C: mycket smutsig ömtålig vit- och kulörvätt.	20°	1600	-	●	●	●	6	-	-	-	170'
Special												
8	Ylle: för ylle, kashmir o.s.v.	40°	800	-	●	●	-	1,5	-	-	-	70'
9	Silke/Gardiner: för plagg av silke, viskos och underkläder.	30°	0	-	●	●	-	1	-	-	-	55'
10	Jeans	40°	800	-	●	●	-	3,5	-	-	-	75'
11	Express: för att snabbt fräscha upp lätt smutsade plagg (ej lämpligt för ylle, silke och plagg som ska handtvättas).	30°	800	-	●	●	-	1,5	71	0,19	31	15'
Sport												
12	Sport Intensive	30°	600	-	●	●	-	2,5	-	-	-	85'
13	Sport Light	30°	600	-	●	●	-	2,5	-	-	-	60'
14	Sport Shoes	30°	600	-	●	●	-	Max. 2 par.	-	-	-	60'
Extra Tillval												
	Sköljning	-	1600	-	-	●	●	6	-	-	-	36'
	Centrifugering + Tömning	-	1600	-	-	-	-	6	-	-	-	16'

Programmets tidslängd som anges på displayen eller i bruksanvisningen är en uppskattad tid baserad på standardförhållanden. Effektiv tid kan variera beroende på ett stort antal faktorer såsom inloppsvattnets temperatur och tryck, omgivningstemperatur, mängd tvättmedel, mängd och typ av last, lastens jämnhet samt tillval som har valts.

1) Tvättprov har utförts i enlighet med standard 1061/2010: Ställ in programmet 3 med en temperatur på 60 °C.

Detta program är avsett för normalt smutsig bomullstvätt som kan tvättas i 60°C och är det snälaste programmet vad gäller energi och vatten. Den verkliga tvättemperaturen kan skilja sig från den som anges.

2) Tvättprov har utförts i enlighet med standard 1061/2010: Ställ in programmet 4 med en temperatur på 40 °C.

Detta program är avsett för normalt smutsig bomullstvätt som kan tvättas i 40°C och är det snälaste programmet vad gäller energi och vatten. Den verkliga tvättemperaturen kan skilja sig från den som anges.

För alla Test Institutes:

2) Långt bomullsprogram: Ställ in programmet 4 med en temperatur på 40 °C.

3) Syntetiska programmet tillsammans: Ställ in programmet 6 med en temperatur på 40 °C.

Standardprogram bomull 20 °C (programma 7) idealisk för tvätt med smutsig bomull. Den goda prestandan, även med kallt vatten (jämförbar med tvätt på 40°), garanteras av en mekanisk rörelse som arbetar med olika hastighetsvariationer med upprepade nära liggande toppar.

Express (program 11) har utarbetats för att tvätta lätt smutsade plagg på kort tid: Programmet tar bara 15 minuter och gör att du på så sätt spar energi och tid. Om du ställer in program (11 på 30 °C) går det att tvätta olika material tillsammans (förutom ylle och silke) med en maxlast på 1,5 kg.

Sport Intensive (program 12) är särskilt avsett för att tvätta mycket smutsiga sportkläder (overaller, strumpor o.s.v.). För att uppnå bästa resultat rekommenderas att inte överstiga max. last som anges i "Programtabell".

Sport Light (program 13) är särskilt avsett för att tvätta lätt smutsiga sportkläder (overaller, strumpor o.s.v.). För att uppnå bästa resultat rekommenderas att inte överstiga max. last som anges i "Programtabell". Det rekommenderas att använda flytande tvättmedel och en dos som är lämplig för halv last.

Sport Shoes (program 14) är särskilt avsett för att tvätta sportskor. För att uppnå bästa resultat rekommenderas att inte tvätta mer än 2 par.

Inställning av temperatur

Tvätttemperaturen ställs in när du vrider på TEMPERATURVREDET (se *Programtabell*).

Temperaturen kan sänkas ned till tvätt i kallvatten .

Maskinen förhindrar automatiskt att en högre temperatur än den som är den maximalt avsedd för varje program ställs in.

Inställning av centrifugeringen

Centrifugeringshastigheten på det valda programmet ställs in när du vrider på CENTRIFUGERINGSVREDET.

Programmets maxhastigheter är:

Program	Maxhastighet
Bomull	1600 varv/min
Syntet	800 varv/min
Ylle	800 varv/min
Silke	endast tömning

Centrifugeringshastigheten kan sänkas eller uteslutas med hjälp av symbol .

Maskinen förhindrar automatiskt att en kraftigare centrifugering än den som är den maximalt avsedda för varje program körs.

Funktioner

Tvättmaskinens olika avsedda tvättfunktioner ser till att du alltid får en ren och vit tvätt.

För att aktivera funktionerna:

1. Tryck på knappen för önskad funktion.
2. Kontrolllampan tänds för att meddela att funktionen är aktiv.

Notering: Om kontrolllampan blinkar snabbt betyder det att respektive funktion inte går att välja för det program som ställts in.

EcoTime

Genom att välja denna funktion optimeras den mekaniska rörelsen, temperaturen och vattnet för en mindre last bomull och syntet som är mycket smutsig (se *"Programtabell"*). Med funktionen **"EcoTime"** kan du tvätta på kortare tid och därmed spara vatten och energi. Det rekommenderas att använda en dos flytande diskmedel som är lämplig för mängden tvätt.

! Detta tillval kan inte aktiveras för programmen 1, 2, 7, 8, 9, 10, 11, 12, 13, 14,  .

Antifläck

Blekningscykel lämplig för att avlägsna de envisaste fläckarna. Kom ihåg att fylla på blekmedel i tilläggsfacket 4 (se *"Blekningscykel"*).

! Denna funktion kan inte aktiveras för programmen 1, 8, 9, 10, 11, 12, 13, 14, .

Extra sköljning

Med denna funktion ökas sköljefekten och tvättmedlet tas bort på bästa möjliga sätt. Detta program rekommenderas för personer som har särskilt känslig hud.

! Detta tillval kan inte aktiveras för programmen 11, .

Startfördröjning

Fördröjer starten av maskinen upp till 12 timmar.

Tryck på knappen flera gånger tills kontrolllampan för önskad senare start tänds. Vid femte tryckningen på knappen frånkopplas funktionen.

OBS! När du väl tryckt på knappen START/PAUSE kan värdet för fördröjningen endast minskas tills inställt program startar.

! Är aktiv för alla program.

Tvättmedel och tvättgods

SE

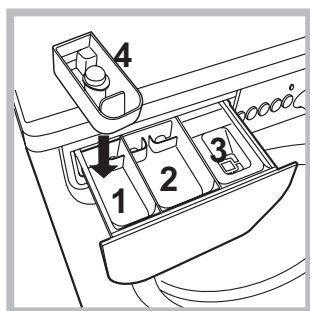
Tvättmedelsfack

Ett gott tvättresultat beror även på att tvättmedlet doseras korrekt: En överdriven dosering innebär inte att tvätten blir renare utan orsakar istället att tvättmaskinen får beläggningar och att miljön förorenas.

! Använd inte tvättmedel avsett för handtvätt eftersom dessa bildar för mycket lödder.

! Använd tvättmedel i pulverform för vita bomullsplagg, för förtvätt och vid tvättprogram över 60 °C.

! Följ anvisningarna som anges på tvättmedelsförpackningen.



Dra ut tvättmedelsfacket och fyll på tvättmedel och tillsatser enligt följande.

Fack 1: Tvättmedel för förtvätt (pulver)

Kontrollera att inte tilläggsfacket 4 är isatt innan du fyller på tvättmedel.

Fack 2: Tvättmedel (i pulver eller flytande form)

Flytande tvättmedel får endast fyllas på innan start.

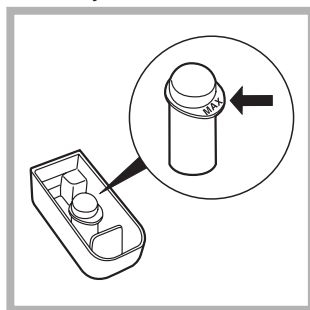
Fack 3: Tillsatser (sköljmedel, o.s.v.)

Sköljmedlet får inte rinna över gallret.

Tilläggsfack 4: Blekmedel

Blekningscykel

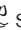

! **Traditionellt** blekmedel används endast för vita tåliga material, **medan mildt** blekmedel används för syntetmaterial och ylle.




Denna funktion är användbar för att ta bort de mest envisa fläckar. Sätt i det bifogade tilläggsfacket 4 i fack 1.

Var noga när du håller i blekmedel så att du inte överstiger markeringen för "max" som anges på mittappen (se figur).

För att endast bleka ska blekmedel fyllas på i

tilläggsfacket 4 och programmet "Sköljning"  ställas in och funktionen "Antifläck"  aktiveras.

Om du vill bleka under tvättcykeln ska du fylla på tvättmedel och tillsatser, ställa in önskat program och aktivera funktionen "Antifläck" .

När tilläggsfacket 4 används utesluts förtvätten.


Förbered tvätten

- Dela upp tvätten beroende på:
 - Typ av material/symbolen på etiketten.
 - Färgerna: Separera färgade plagg från vita.
- Töm fickorna och kontrollera knapparna.
- Överskrid inte värdena som indikeras i "Programtabell" som avser vikten för torr tvätt.

Hur mycket väger tvätten?

- 1 lakan 400-500 g
- 1 örngott 150-200 g
- 1 bordsduk 400-500 g
- 1 morgonrock 900-1200 g
- 1 handduk 150-250 g

Särskilda plagg

Ylle: med programmet 8 går det att tvätta alla typer av ylleplagg i tvättmaskinen, även de som är märkta med endast handtvätt . För att uppnå bästa resultat ska ett specifikt tvättmedel användas och lägg inte in mer än 1,5 kg tvätt.

Silke: Använd därtill avsett program 9 för att tvätta alla typer av silkesplagg. Det rekommenderas att använda ett särskilt tvättmedel för ömtåliga plagg.

Gardiner: vik ihop dem och lägg dem i ett örngott eller en nätpåse. Använd programmet 9.

Jeans: vänd plaggen ut och in innan de tvättas och använd ett flytande tvättmedel. Använd programmet 10.

Balanseringssystem för lasten

För att undvika överdrivna vibrationer fördelar maskinen lasten på ett jämnt sätt före varje centrifugering. Det sker genom att ett antal rotationer utförs i följd med en hastighet som är något högre än tvätthastigheten. Om lasten trots upprepade försök inte fördelas perfekt, kör maskinen en centrifugering med lägre hastighet än vad som var avsett. Vid mycket stor obalans utför tvättmaskinen fördelningen av tvätten i stället för centrifugeringen. För främja en god fördelning av lasten och balansera den korrekt, rekommenderas att blanda stora och små plagg.

Den kan hända att maskinen inte fungerar. Innan du ringer till Kundservice (se *Service*) ska du kontrollera att det inte rör sig om ett problem som kan åtgärdas på ett enkelt sätt med hjälp av följande lista.

Fel:

Möjliga orsaker/Åtgärd:

Tvättmaskinen går inte att sätta på.

- Kontakten är inte ordentligt isatt eller inte isatt alls i uttaget.
- Det saknas ström i bostaden.

Tvättcykeln startar inte.

- Luckan är inte ordentligt stängd.
- Knappen ON/OFF har inte tryckts in.
- Knappen START/PAUSE har inte tryckts in.
- Vattenkranen är inte öppen.
- En senare starttid har ställts in (se "*Specialanpassningar*").

Tvättmaskinen tar inte in vatten (kontrolllampan för den första tvättfasen blinkar snabbt).

- Vatteninloppsslangen är inte ansluten till kranen.
- Slangen är böjd.
- Vattenkranen är inte öppen.
- Det saknas vatten i bostaden.
- Vattentrycket är inte tillräckligt.
- Knappen START/PAUSE har inte tryckts in.

Tvättmaskinen tar in och tömmer ut vatten oavbrutet.

- Avloppsslangen har inte installerats på en höjd mellan 65 och 100 cm från marken (se "*Installation*").
- Avloppsslangens ände är nedsänkt i vatten (se "*Installation*").
- Väggtutloppet har inget luftutsläpp.

Om problemet kvarstår efter dessa kontroller ska du stänga av vattenkranen och tvättmaskinen samt kontakta servicetjänsten. Om din bostad ligger högst upp i ett hus kan häverteffekter uppstå som gör att tvättmaskinen tar in och tömmer vatten oavbrutet. För att lösa detta problem finns särskilda hävertventiler att köpa som förhindrar denna effekt.

Tvättmaskinen tömmer inte eller centrifugerar inte.

- Programmet saknar tömning: Med vissa program måste tömningen startas manuellt (se "*Start och program*").
- Avloppsslangen är böjd (se "*Installation*").
- Avloppsledningen är tilltäppt.

Tvättmaskinen vibrerar mycket under centrifugeringen.

- Trumman har inte lossats ordentligt vid installationen (se "*Installation*").
- Tvättmaskinen står inte plant (se "*Installation*").
- Tvättmaskinen är inträngd mellan möbler och väggar (se "*Installation*").

Tvättmaskinen läcker vatten.

- Vatteninloppsslangen är inte ordentligt åtskruvad (se "*Installation*").
- Tvättmedelsfacket är igensatt (för rengöring se "*Underhåll och skötsel*").
- Avloppsslangen är inte ordentligt fastsatt (se "*Installation*").

Lamporna för "Funktioner" och lampan för "START/PAUSE" blinkar och en av lamporna för pågående fas och "låst lucka" tänds med fast sken.

- Stäng av maskinen och dra ur stickkontakten ur vägguttaget. Vänta cirka 1 minut och sätt sedan på maskinen igen. Om felet kvarstår, ring teknisk assistans.

De bildas för mycket lödder.

- Tvättmedlet är inte avsett för maskintvätt (det måste vara märkt med texten "för tvättmaskin", "för hand och i maskin", eller liknande).
- För stor mängd tvättmedel har doserats.

Service

SE

Innan du kallar på Servicetjänsten:

- Kontrollera om du kan åtgärda felet på egen hand (se "*Fel och åtgärder*");
- Starta programmet igen för att kontrollera om problemet är löst;
- Om det inte förhåller sig så ska du kontakta den auktoriserade Servicetjänsten på det telefonnummer som finns på garantisedel.

! Anlita aldrig obehöriga tekniker.

Uppge:

- Typ av fel;
- Maskinmodell (Mod.);
- Serienummer (S/N).

Denna information hittar du på typskylten som sitter på tvättmaskinens bakstycke och på framsidan efter att luckan har öppnats.

FI

Suomi

IWC 6165

Yhteenveto

Asennus, 50-51

Pakkauksen purkaminen ja vaaitus
Vesi- ja sähköliitännät
Ensimmäinen pesujakso
Tekniset tiedot

Huolto ja hoito, 52

Veden ja sähkövirran pois sulkeminen
Pyykinpesukoneen puhdistaminen
Pesuainelokerikon puhdistaminen
Luukun ja rummun hoito
Pumpun puhdistaminen
Veden syöttöletkun tarkistaminen

Varotoimet ja neuvot, 53

Yleinen turvallisuus
Hävittäminen

Pyykinpesukoneen kuvaus ja ohjelman käynnistys 54-55

Ohjauspaneeli
Merkkivalot
Ohjelman käynnistys

Ohjelmat, 56

Ohjelmataulukko

Omavalintaiset toiminnot, 57

Lämpötilan asettaminen
Linkouksen asettaminen
Lisätoiminnot

Pesuaineet ja pyykit, 58

Pesuainelokerikko
Valkaisujakso
Pyykin valmistelu
Erityiset vaatekappaleet
Lastin tasapainottamisjärjestelmä

Häiriöt ja korjaustoimet, 59

Huoltoapu, 60

Asennus

FI

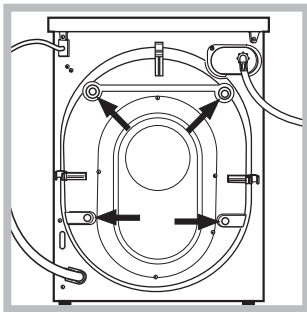
! On tärkeää säilyttää huolella tämä ohjekirjanen, jotta sitä voidaan tutkia tarvittaessa. Myytäessä, luovutettaessa tai muuton yhteydessä varmista, että se pysyy yhdessä pyykinpesukoneen kanssa, jotta myös uusi omistaja voi tutustua toimintaan ja vastaaviin varoituksiin.

! Lue ohjeet huolellisesti: niissä on tärkeitä tietoja asennuksesta, käytöstä ja turvallisuudesta.

Pakkauksen purkaminen ja vaaitus

Pakkauksen purkaminen

1. Poista pyykinpesukone pakkauksestaan.
2. Tarkista, että pyykinpesukone ei ole kärsinyt vahinkoja kuljetuksen aikana. Jos siinä on havaittavissa vaurioita, älä suorita liitäntöjä ja ota yhteys jälleenmyyjään.



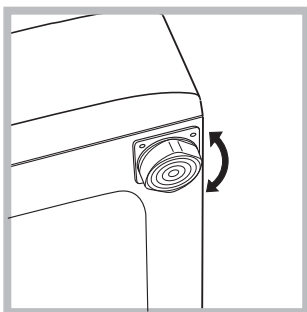
3. Poista 4 kuljetuksen suojaruuvia sekä tiiviste vastaavan välikappaleen kanssa, jotka sijaitsevat takaojassa (katso kuvaa).

4. Sulje reiät toimitetuilla muovitapeilla.
5. Säilytä kaikki osat: mikäli pyykinpesukonetta tulee kuljettaa, ne tulee asentaa takaisin.

! Pakkaukset eivät ole lasten leluja.

Vaaitus

1. Asenna pyykinpesukone tasaiselle ja kovalle lattialle siten, että se ei kosketa seiniin, huonekaluihin tai muihin esineisiin.

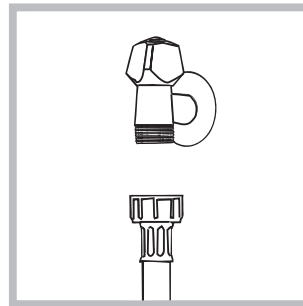


2. Jos lattia ei ole täysin tasainen, sen epätasaisuudet tulee tasoittaa ruuvaten kiinni tai auki etujalkoja (katso kuvaa); kallistuman kulma työskentelytasolta mitattuna ei saa olla yli 2°.

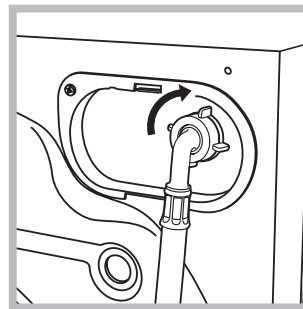
Huolellinen vaaitus antaa vakautta koneelle sekä estää tärinää, meluisuutta ja sen liikkumista toiminnan aikana. Mikäli asennat koneen kokolattiamaton tai muun maton päälle, säädä tukijalat siten, että pesukoneen alle jää riittävä tila tuulettumiselle.

Vesi- ja sähköliitännät

Veden syöttöletkun liittäminen



1. Liitä syöttöletku ruuvaten se kylmävesihanaan, jonka suuaukko on $\frac{3}{4}$ putkikierteitetty (katso kuvaa). Ennen liitäntää anna veden juosta, kunnes se kirkastuu.



2. Liitä syöttöletku pyykinpesukoneeseen ruuvaten se kiinni asiaankuuluvaan koneen takana oikeassa yläosassa olevaan vesiliittimeen (katso kuvaa).

3. Ole varovainen, että letku ei taitu tai joudu puristuksiin.

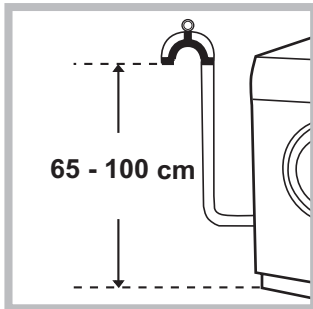
! Hanan vedenpaineen tulee olla niiden arvojen mukainen, jotka esitetään Teknisten tietojen taulukossa (katso viereistä sivua).

! Jos syöttöletkun pituus ei ole riittävä, käänny erikoisliikkeen tai valtuutetun teknikon puoleen.

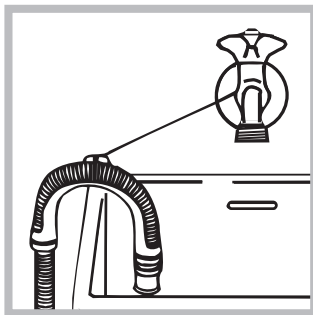
! Älä käytä koskaan käytettyjä letkuja.

! Käytä letkuja, jotka on toimitettu koneen mukana.

Veden poistoletkun liittäminen



Poistoletkua ei saa koskaan asentaa suoraan lattiakaivoon, vaan se on asennettava kuvan mukaisesti siten, että poistoletkun pää on 65-100 cm korkeudella tasosta jolle kone on asennettu. Varo taivuttamasta poistoletkua niin että se litistyy!



tai aseta se pesualtaan tai kylpyammeen laidalle kiinnittäen toimitettu ohjain hanaan (katso kuvaa). Poistoletkun vapaan pään ei tule jäädä upoksiin veteen.

! Ei suositella käyttämään jatkoletkuja; jos jatkoletkun käyttö on välttämätöntä, sen tulee olla halkaisijaltaan alkuperäisen kokoinen ja korkeintaan 150 cm pitkä.

Sähköliitäntä

Ennen pistokkeen työntämistä pistorasiaan varmista, että:

- pistorasia on maadoitettu ja että se on lain vaatimusten mukainen;
- pistorasia kestää koneen tehon enimmäiskuormituksen, joka on annettu Teknisten tietojen taulukossa (katso viereen);
- syöttöjännite sisältyy arvoihin, jotka on annettu Teknisten tietojen taulukossa (katso viereen);
- pistorasia ja pesukoneen pistoke ovat yhteensopivat. Päinvastaisessa tapauksessa vaihda pistorasia tai pistoke.

! Pesukonetta ei saa asentaa ulos edes silloin, kun asennustila on suojattu katoksella, koska on hyvin vaarallista jättää pesukone alttiiksi sateelle ja ukkosenilmalle.

! Pesukoneen asentamisen jälkeenkin pistorasian tulee olla helposti saavutettavissa.

! Älä käytä jatkojohtoja ja liitinkappaleita.

! Johtoa ei saa taittaa tai se ei saa joutua puristuksiin.

! Syöttöjohdon vaihto tulee antaa tehtäväksi ainoastaan valtuutetuille tekniikoille. Varoitus! Valmistaja ei vastaa vahingoista, jotka johtuvat yllä olevien ohjeiden laiminlyönnistä.

Ensimmäinen pesujakso

Asennuksen jälkeen ennen varsinaista käyttöä tulee suorittaa yksi pesujakso pesuaineen kanssa ilman pyykkiä asettaen ohjelma 2.

Tekniset tiedot

Malli	IWC 6165
Mitat	leveys cm 59,5 korkeus cm 85 syvyys cm 53,5
Täyttömäärä	1 - 6 kg
Sähköliitännät	Katso koneessa olevaa teknisten tietojen tietolaattaa.
Vesiliitännät	maks. Vedenpaine 1 MPa (10 bar) min. vedenpaine 0,05 MPa (0,5 bar) rummun tilavuus 52 litraa
Linkousnopeus	1600 kierr./min saakka
Testiohjelmat direktiivien 1061/2010 ja 1015/2010 mukaisesti	Ohjelma 3; 60°C:n vaikiopuuvillaohjelmaksi. Ohjelma 4; 40°C:n vaikiopuuvillaohjelmaksi.
 	Tämä kodinkone on seuraavien Euroopan yhteisön direktiivien vaatimusten mukainen: - 2004/108/CE (Sähkömagneettinen yhteensopivuus) - 2006/95/CE Pienjännite) - 2002/96/CE

Huolto ja hoito

FI

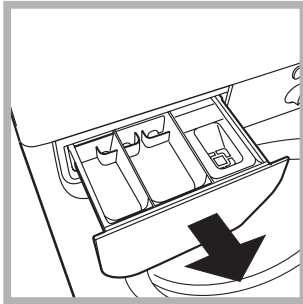
Veden ja sähkövirran pois sulkeminen

- Sulje vesihana jokaisen pesun jälkeen. Täten vähennetään pesukoneen vesilaitteiden kulumista ja estetään vuotovaara.
- Irrota sähköpistoke konetta puhdistaussasi ja huoltotoimenpiteiden ajaksi.

Pyykinpesukoneen puhdistaminen

Ulkoiset ja kumiset osat voidaan puhdistaa rievulla, joka huuhdellaan lämpimän veden ja saippuan muodostamassa liuoksessa. Älä käytä liuottimia tai hankaavia aineita.

Pesuainelokerikon puhdistaminen



Irrota lokerikko nostamalla sitä ja vetäen sitä ulospäin (katso kuvaa).

Pese se juoksevan veden alla; tämä puhdistus tulee suorittaa säännöllisesti.

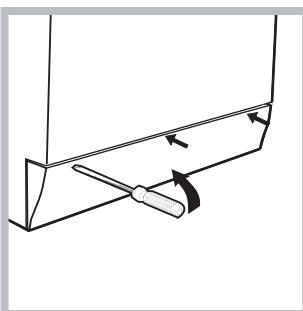
Luukun ja rummun hoito

- Jätä luukku aina hieman auki, jotta vältetään pahan hajun muodostuminen.

Pumpun puhdistaminen

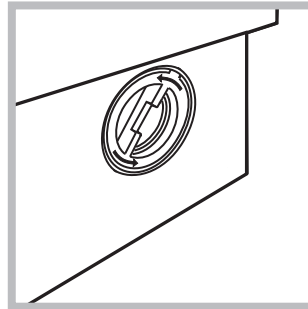
Pyykinpesukone on varustettu itsestään puhdistuvalla pumpulla, joka ei tarvitse huoltoa. Voi kuitenkin tapahtua, että pienet esineet (rahat, napit) putoavat pumppua suojaavaan eteiseen, joka sijaitsee tämän alapuolella.

! Varmista, että pesujakso on päättynyt ja irrota pistoke.



Eteisen saavuttamiseksi:

1. poista pesukoneen etupuolella oleva suojapaneeli ruuvi-meisselin avulla (katso kuvaa);



2. ruuvaa irti kansi kierteen kierteen vastapäivään (katso kuvaa): on normaalia, että tulee ulos hieman vettä;

3. puhdistu huolellisesti sisäpuoli;
4. ruuvaa kansi takaisin paikalleen;
5. asenna suojapaneeli paikoilleen varmistaen ennen sen työntämistä konetta kohden, että olet työntänyt koukut asiaankuuluviin reikiin.

Veden syöttöletkun tarkistaminen

Tarkista syöttöletku vähintään kerran vuodessa. Jos siinä on havaittavissa halkeamia tai säröjä, se tulee vaihtaa: pesujen aikana kova paine voi aiheuttaa yllättävän halkeamisen.

! Älä käytä koskaan käytettyjä letkuja.

! Pesukone on suunniteltu ja valmistettu kansainvälisiä turvallisuusvaatimuksia vastaavaksi. Nämä varoitukset toimitetaan turvallisuussyistä ja ne tulee lukea huolellisesti.

Yleinen turvallisuus

- Tämä laite on suunniteltu ainoastaan kotitalouskäyttöön.
- Tätä laitetta voivat käyttää yli 8-vuotiaat lapset sekä henkilöt, joiden fyysinen, henkinen tai aistien toimintakyky on alentunut, tai henkilöt, joilla ei ole kokemusta ja tietoa laitteen käytöstä, jos heitä valvotaan asianmukaisesti tai jos heidät on opastettu laitteen turvalliseen käyttöön ja he ymmärtävät siihen liittyvät vaarat. Lapset eivät saa leikkiä laitteella. Lapset eivät saa suorittaa huolto- ja puhdistustoimenpiteitä ilman valvontaa.
- Älä koske koneeseen avojaloin tai silloin, kun kätesi tai jalkasi ovat märät tai kosteat.
- Älä irrota pistoketta pistorasiasta johdosta vetämällä vaan ota kiinni pistokkeesta.
- Älä avaa pesuainelokerikkoa, mikäli pesukone on käynnissä.
- Älä kosketa pesukoneesta poistettavaan veteen, koska se voi olla hyvin kuumaa.
- Älä missään tapauksessa yritä avata luukkuja väkisin: vahingonomaisilta avaamisilta suojaava turvamekanismi voi vahingoittua.
- Vian tapauksessa älä milloinkaan yritä käsitellä sisäisiä mekanismeja korjauksen suorittamiseksi.
- Tarkista aina, että lapset eivät pääse toimivan koneen läheisyyteen.
- Pesun aikana luukku voi kuumentua.
- Pesukoneen mahdollinen siirto on suoritettava varovasti kahden tai kolmen henkilön voimin. Älä yritä siirtää sitä yksin, sillä kone on erittäin painava.
- Tarkista, että rumpu on tyhjä ennen kuin panet pyykit pesukoneeseen.

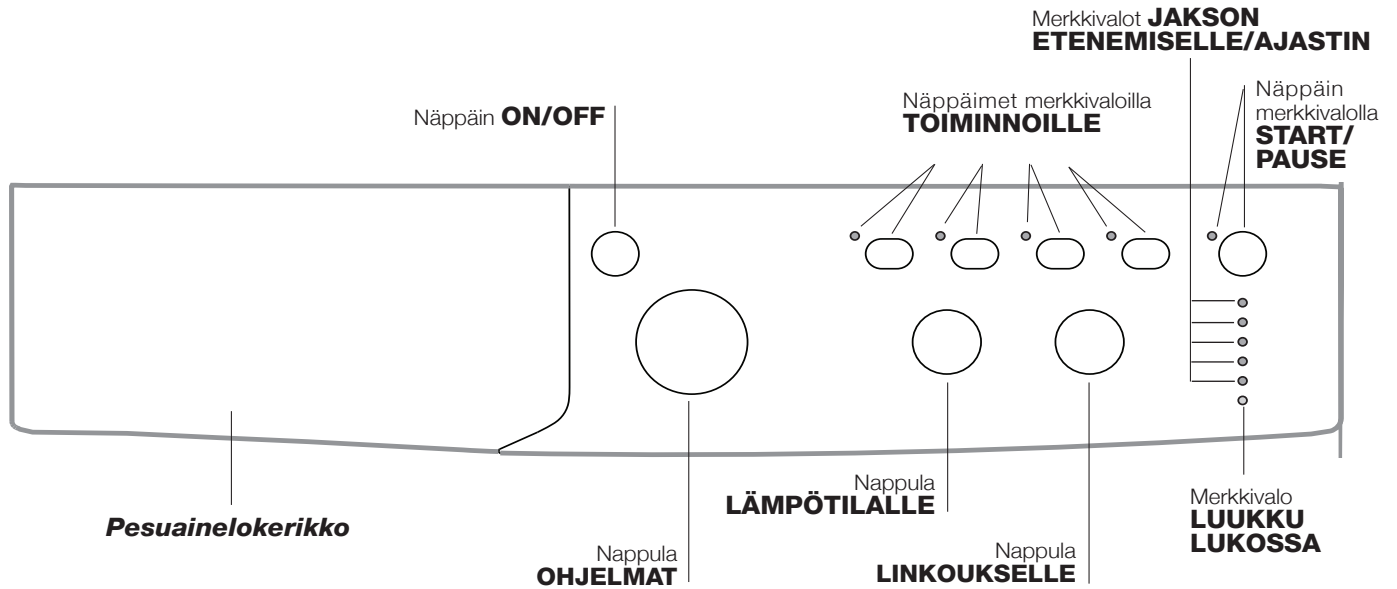
Hävittäminen

- Pakkaustarvikkeiden hävittäminen: noudata paikallisia määräyksiä, siten pakkausmateriaalit voidaan käyttää uudelleen.
- Euroopan Direktiivi 2002/96/EC Waste Electrical and Electronic Equipment (elektroniikka romulle), vaatii vanhojen sähkölaitteiden romun erottamisen normaali jätteen kierrosta. Vanhat sähkölaitteet tulee kerätä erikseen, jotta näin voidaan optimoida laitteiden kierrätys ja näin ollen vähentää vaaran aiheutumista ihmisille ja luonnolle. Merkinä rasti jäteastian päällä muistuttaa vastuustasi laitteiden hävittämisestä erikseen.
Kuluttajien tulee ottaa yhteyttä paikallisiin viranomaisiin tai jälleenmyyjiin saadakseen tietoa vanhojen laitteiden oikeasta kierrättämisestä.

Pyykinpesukoneen kuvaus ja ohjelman käynnistys

FI

Ohjauspaneeli



Pesuainelokerikko: pesuaineiden ja lisäaineiden lisäämiseksi (katso "Pesuaineet ja pyykit").

Näppäin **ON/OFF:** pyykinpesukoneen käynnistämiseksi ja sammuttamiseksi.

Nappula **OHJELMAT:** ohjelmien asettamiseksi. Pesun aikana nappula pysyy paikoillaan.

Näppäimet merkkivaloilla **TOIMINNOILLE:** saatavilla olevien toimintojen valitsemiseksi. Valittua toimintoa vastaava merkkivalo jää palamaan.

Nappula **LINKOUKSELLE:** linkouksen asettamiseksi tai pois sulkemiseksi (katso "Omavalintaiset toiminnot").

Nappula **LÄMPÖTILALLE:** pesulämpötilan tai kylmäpesun asettamiseksi (katso "Omavalintaiset toiminnot").

Merkkivalot **JAKSON ETENEMISELLE/AJASTIN:** jotta voidaan seurata pesuohjelman etenemistä. Palava merkkivalo osoittaa käynnissä olevan vaiheen. Jos on asetettu toiminto "Ajastin", merkkivalot osoittavat ajan, jonka kuluttua ohjelma käynnistyy (katso viereistä sivua).

Merkkivalo **LUUKKU LUKOSSA:** näyttää, onko luukku avattavissa (katso viereistä sivua).

Näppäin merkkivalolla **START/PAUSE:** ohjelmien käynnistämiseksi tai niiden keskeyttämiseksi väliaikaisesti.

HUOM.: käynnissä olevan ohjelman keskeyttämiseksi, paina tätä näppäintä, vastaava merkkivalo vilkkuu oranssina, kun taas käynnissä olevan vaiheen merkkivalo palaa kiinteänä. Jos merkkivalo **LUUKKU LUKOSSA** ei pala, voidaan avata luukkuovi.

Pesun käynnistämiseksi uudelleen pisteestä, johon se oli keskeytetty, paina uudelleen tätä painiketta.

Valmiustila

Pesukone on varustettu uusien energiansäästöön liittyvien määräysten mukaisella automaattisella sammutusjärjestelmällä, joka siirtää koneen valmiustilaan 30 minuutissa, mikäli konetta ei käytetä. Paina lyhyesti painiketta ON/OFF ja odota, että kone kytkeytyy uudelleen päälle.

Kulutus off-tilassa: 0,5 W

Kulutus Left-on-tilassa: 0,5 W

Merkkivalot

Merkkivalot antavat tärkeitä tietoja. Ne ilmoittavat muun muassa:

Ajastin

Jos on kytketty päälle toiminto "Ajastin" (katso "Omavalintaiset toiminnot"), ohjelman käynnistämisen jälkeen voidaan nähdä vilkkuva merkkivalo, joka vastaa valittua viivästystä:

3h 

6h 

9h 

12h 

Ajan kuluessa ilmoitetaan jäljellä oleva viivästysaika vastaavan merkkivalon vilkkumisella.

3h 

6h 

9h 

12h 

Valitun viivästysajan kuluttua loppuun asetettu ohjelma käynnistyy.

Käynnissä oleva vaiheen merkkivalot:

Sen jälkeen kun on valittu ja käynnistetty haluttu pesuohjelma, merkkivalot syttyvät peräkkäisessä järjestyksessä osoittaen etenemisvaiheen.

Pesu	
Huuhtelu	
Linkous	
Tyhjennys	
Pesun loppu	


Toimintojen näppäimet ja vastaavat merkkivalot

Valittaessa jokin toiminto vastaava merkkivalo syttyy. Jos valittu lisätoiminto ei sovi yhteen asetetun ohjelman kanssa, merkkivalo vilkkuu ja toiminto ei kytkeydy päälle. Jos valittu lisätoiminto ei sovi yhteen toisen aiemmin asetetun toiminnon kanssa, ensimmäistä valittua toimintoa vastaava merkkivalo alkaa vilkkua ja päälle kytketään ainoastaan viimeksi valittu lisätoiminto, päälle kytketyn lisätoiminnon merkkivalo syttyy.

Merkkivalo luukku lukossa

Palava merkkivalo osoittaa luukun olevan lukossa avaamisen estämiseksi; jotta luukku voidaan avata, merkkivalon tulee sammua; (odota noin 3 minuuttia). Luukun avaamiseksi jakson ollessa käynnissä paina painiketta START/PAUSE; jos merkkivalo LUUKKU LUKOSSA on sammussa, luukku voidaan avata.



Ohjelman käynnistys

- Käynnistä pyykinpesukone painaen näppäintä ON/OFF. Kaikki merkkivalot syttyvät muutaman sekunnin ajaksi, sitten ne sammuvat ja merkkivalo START/PAUSE vilkkuu.
- Laita pyykit pesukoneeseen ja sulje luukku.
- Valitse nappulalla OHJELMAT haluttu pesuohjelma.
- Aseta pesulämpötila (katso Omavalintaiset toiminnot).
- Aseta linkousnopeus (katso Omavalintaiset toiminnot).
- Lisää pesuaine ja lisäaineet (katso "Pesuaineet ja pyykit").
- Valitse halutut lisätoiminnot.
- Käynnistä ohjelma painaen näppäintä START/PAUSE ja vastaava vihreä merkkivalo syttyy palamaan kiinteänä. Asetetun jakson peruuttamiseksi laita kone taukotilaan painaen näppäintä START/PAUSE ja valitse uusi jakso.
- Ohjelman loppuksi syttyy merkkivalo END. Kun merkkivalo LUUKKU LUKOSSA  sammuu, voidaan luukku avata. Ota pois pyykit ja jätä luukku hieman auki rummun kuivattamiseksi. Sammuta pyykinpesukone painaen näppäintä ON/OFF.

Ohjelmat

FI

Ohjelmataulukko

Ohjelmat	Ohjelman kuvaus	Enimmäislämpötila (°C)	Enimmäisnopeus kierrosta/min.	Pesuaineet					Enimmäistäyttö (kg)	Overskydende fugt %	Energiforbrug Wh	I alt vand lt	Jakson kesto
				Esipesu	Pesu	Huuhtele	luaine	Valkaisua					
Päivittäiset ohjelmat (Daily)													
1	PUUVILLA ESIPESU 90°: Erittäin likainen valkopyykin.	90°	1600	●	●	●	-	6	44	2,18	75	150'	
2	PUUVILLA: Erittäin likainen valkopyykin.	90°	1600	-	●	●	●	6	44	2,10	70	140'	
3	60 °C:n vakiopuuvillaohjelmaksi (1): Erittäin likainen kestävä kirjo- ja valkopyykin.	60°	1600	-	●	●	●	6	44	1,03	49	190'	
4	40 °C:n vakiopuuvillaohjelmaksi (2): Erittäin likainen herkkä kirjo- ja valkopyykin.	40°	1600	-	●	●	●	6	44	1,09	92	180'	
5	VÄRILLINEN PUUVILLA: Hieman likainen valkopyykin ja herkkä kirjopyykin.	40°	1600	-	●	●	●	6	44	0,60	50	85'	
6	SYNTEETTISET: Erittäin likainen kestävä kirjopyykin.	60°	800	-	●	●	●	3,5	44	0,93	47	115'	
6	SYNTEETTISET ENERGINEN (3): Hieman likainen kestävä kirjopyykin.	40°	800	-	●	●	●	3,5	44	0,57	46	100'	
7	20 °C:n vakiopuuvillaohjelmaksi: Erittäin likainen herkkä kirjo- ja valkopyykin.	20°	1600	-	●	●	●	6	-	-	-	170'	
Erikois ohjelmat (Special)													
8	VILLA: Villa-, cashmeretuotteet, jne.	40°	800	-	●	●	-	1,5	-	-	-	70'	
9	SILKKI/VERHOT: Silkki- ja viskoosituotteet, alusvaatteet.	30°	0	-	●	●	-	1	-	-	-	55'	
10	JEANS	40°	800	-	●	●	-	3,5	-	-	-	75'	
11	EXPRESS: Vähän likaisten pyykkien nopeaan raikastamiseen (ei sovi villalle, silkille tai käsin pestäville tuotteille).	30°	800	-	●	●	-	1,5	71	0,19	31	15'	
Sport													
12	Sport Intensive	30°	600	-	●	●	-	2,5	-	-	-	85'	
13	Sport Light	30°	600	-	●	●	-	2,5	-	-	-	60'	
14	Sport Shoes	30°	600	-	●	●	-	ENINTÄÄN 2 paria	-	-	-	60'	
Lisäohjelmat													
	 HUUHTELU	-	1600	-	-	●	●	6	-	-	-	36'	
	 LINKOUS + VEDEN POISTO	-	1600	-	-	-	-	6	-	-	-	16'	

Näytöllä tai ohjekirjassa osoitettu jakson kesto on arvio, joka on laskettu perusolosuhteiden mukaisesti. Todellinen aika saattaa vaihdella riippuen useista eri tekijöistä kuten tulevan veden lämpötila ja paine, ympäristön lämpötila, pesuaineen määrä, lastin määrä ja tyyppi, lastin tasapainoisuus, valitut lisätoiminnot.

1) Testiohjelma normin 1061/2010 mukaisesti aseta ohjelma 3 ja lämpötilaksi 60°C.

Tämä jakso sopii normaallikaisen puuvillapyykkikoneellisen pesuun ja se tehokkain otettaessa huomioon energian ja veden kulutus, sopii 60°C:ssa pestäville pyykeille. Pesun todellinen lämpötila voi poiketa ilmoitetusta.

2) Testiohjelma normin 1061/2010 mukaisesti aseta ohjelma 4 ja lämpötilaksi 60°C.

Tämä jakso sopii normaallikaisen puuvillapyykkikoneellisen pesuun ja se tehokkain otettaessa huomioon energian ja veden kulutus, sopii 40°C:ssa pestäville pyykeille. Pesun todellinen lämpötila voi poiketa ilmoitetusta.

Kaikille testauslaitoksille:

2) Pitkä puuvillaohjelma: aseta ohjelma 4 ja lämpötilaksi 40°C.

3) Synteettinen ohjelma sekä: aseta ohjelma 6 ja lämpötilaksi 40°C.

20 °C:n vakiopuuvillaohjelmaksi (ohjelma 7) on paras valinta likaisille puuvillapyykeille. Hyvä pesutulos myös kylmässä vedessä, verrattavissa pesuun 40°:ssa, taataan mekaanisella toiminnolla, joka työskentelee vaihtelemalla nopeutta toistuvien peräkkäisten huippujen kanssa.

Express (ohjelma 11) on suunniteltu hieman likaisten vaatteiden pesemiseksi nopeasti: se kestää ainoastaan 15 minuuttia mahdollistaen siten ajan ja energian säästön. Asettamalla ohjelma (11, 30°C:ssa) voidaan pestä yhdessä eri tyyppisiä kankaita (villaa ja silkkiä lukuun ottamatta) enimmäistäyttömäärän ollessa 1,5 kg.


Sport Intensive (ohjelma 12) on suunniteltu erittäin likaisten urheiluvaatteiden pesua varten (verryttelyasut, sukat, jne.); parhaan pesutuloksen saamiseksi suositellaan, että et ylitä enimmäistäyttömäärää, joka osoitetaan "Ohjelmataulukko".

Sport Light (ohjelma 13) on suunniteltu hieman likaisten urheiluvaatteiden pesua varten (verryttelyasut, sukat, jne.); parhaan pesutuloksen saamiseksi suositellaan, että et ylitä enimmäistäyttömäärää, joka osoitetaan "Ohjelmataulukko". Suositellaan käyttämään nestemäistä pesuainetta, käytä puolitäytölle sopivaa annostelua.

Sport Shoes (ohjelma 14) on suunniteltu urheilukenkien pesuun; parhaan tuloksen saamiseksi älä pese enemmän kuin 2 paria kerrallaan.

Lämpötilan asettaminen

Kiertäen nappulaa LÄMPÖTILA asetetaan pesulämpötila (katso *Ohjelmataulukko*).

Lämpötilaa voidaan alentaa aina kylmäpesuun  saakka.


Kone estää automaattisesti valitun ohjelman enimmäislämpötilaa korkeamman lämpötilan asettamisen.

Linkouksen asettaminen

Kiertäen nappulaa LINKOUS asetetaan valitun ohjelman linkousnopeus.

Seuraavassa ohjelmien sallimat enimmäisnopeudet:

Ohjelmat	Enimmäisnopeus
Puuvilla	1600 kierrosta/min.
Synteettiset	800 kierrosta/min.
Villa	800 kierrosta/min.
Silkki	vain veden poisto

Linkousnopeutta voidaan alentaa tai sulkea kokonaan pois valiten tunnus .

Kone estää automaattisesti valitun ohjelman enimmäislinkousnopeutta suuremman linkousnopeuden suorittamisen.

Lisätoiminnot

Pesun eri lisätoiminnoilla pyykinpesukoneella saavutetaan halutut tulokset sekä puhtauden että valkaisu suhteen.



Toimintojen kytkemiseksi päälle:

1. paina haluttua lisätoimintaa vastaavaa näppäintä;
2. vastaavan merkkivalon syttyminen osoittaa, että lisätoiminto on päällä.

Huomaa: Merkkivalon nopea vilkkuminen osoittaa, että vastaava lisätoiminto ei ole valittavissa asetetulle ohjelmalle.

EcoTime

Valittaessa tämä vaihtoehto mekaaninen liike, lämpötila ja veden käyttö optimoidaan vähäiselle täyttömäärälle vähän likaisten puuvillaisten tai synteettisten tuotteiden pesua varten (katso *“Ohjelmataulukko”*). Vaihtoehdolla **“EcoTime”** voit pestä lyhyemmässä ajassa säästäten vettä ja energiaa. Suositellaan, että käytät nestemäistä pesuainetta ja annostelet sen täyttömäärän mukaan.

Sitä ei voida käyttää ohjelmien 1, 2, 7, 8, 9, 10, 11, 12, 13, 14, , , kanssa.

Tahranpoisto

Valkaisujakso, joka sopii poistamaan pinttyneimmät tahrat. Muista lisätä valkaisuainetta lisälokeroon 4 (katso *“Valkaisujakso”*).

! Lisätoimintoa ei voida käyttää ohjelmien 1, 8, 9, 10, 11, 12, 13, 14, , kanssa.

Ylimääräinen huuhtelu

Valittaessa tämä lisätoiminto lisätään huuhtelun tehokkuutta ja varmistetaan pesuaineen paras mahdollinen poistaminen.

Tämä on tärkeää erityisesti herkkäihoisille.

! Toimintoa ei voida käyttää ohjelmien 11, , kanssa.

Ajastin

Viivästä käynnistystä jopa 12 tuntia.

Paina useampia kertoja näppäintä, kunnes haluttua viivästysaikaa vastaava merkkivalo syttyy. Näppäimen viidennellä painalluksella lisätoiminto kytkeytyy pois päältä.

HUOM.: Näppäimen START/PAUSE painamisen jälkeen viivästysaikaa voidaan muuttaa ainoastaan vähentämällä sitä, kunnes asetettu ohjelman käynnistyy.

! Se on voimassa kaikkien ohjelmien kanssa.

Pesuaineet ja pyykki

FI

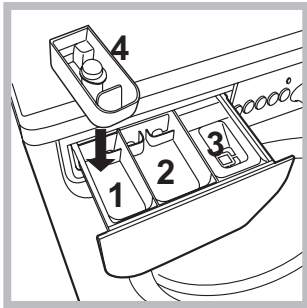
Pesuainelokerikko

Hyvä pesutulos riippuu myös pesuaineen oikeasta annostelusta: liioittelemalla pesuaineen käytössä ei paranneta pesutulosta vaan aiheutetaan pesukoneen sisäosien karstautumista ja saastutetaan ympäristöä.

! Älä käytä käsinpesuun tarkoitettuja pesuaineita niiden liiallisen vaahtoutumisen vuoksi.

! Käytä jauheista pesuainetta, joka sopii valkoisille puuvilapyykkeille, esipesuun ja pesuun yli 60°C:en lämpötiloissa.

! Noudata pesuainepakkauksen ohjeita.



Vedä ulos pesuainelokerikko ja laita pesuaine tai lisäaine seuraavasti.

kaukalo 1: Pesuaine esipesua varten (jauheena)

Ennen pesuaineen kaatamista varmista, että lisäkaukalo 4 ei ole pesuainelokerikossa.

kaukalo 2: Pesuaine varsinaista pesua varten (jauheena tai nesteinä)

Nestemäinen pesuaine tulee kaataa juuri ennen käynnistystä.

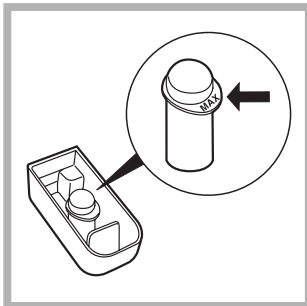
kaukalo 3: Lisäaineet (huuhteluaine, jne.)

Huuhteluaine ei saa tulla ulos ritilästä.

lisäkaukalo 4: Valkaisuaine

Valkaisujakso

! Käytä perinteistä valkaisuainetta ainoastaan kestäville valkoisille kankailla. Sen sijaan värillisille kankailla, synteettisille kuduille sekä villalle käytä hellää hienopesuun sopivaa valkaisuainetta.



Tämä toiminto on hyödyllinen vaikeimpien tahrojen poistamiseksi. Aseta toimitettu lisäkaukalo 4 kaukaloon 1. Annosteltaessa valkaisuainetta älä ylitä tasoa "max", joka näkyy keskitapissa (katso kuvaa).

Ainoastaan valkaisun suorittamiseksi kaada valkaisuainetta lisäkaukaloon 4, aseta ohjelma "Huuhtelu" ja käynnistä toiminto "Tahrannoisto".

Valkaistaksesi pesun aikana laita pesuaine ja lisäaineet, aseta haluttu ohjelma ja kytke päälle toiminto "Tahrannoisto".

Lisäkaukalon 4 käyttö sulkee pois esipesun.

Pyykin valmistelu

- Jaottele pyykki seuraavasti:
 - kangastyypit / merkit tuoteselosteessa.
 - värit: erottele värilliset vaatteet valkoisista.
- Tyhjennä taskut ja tarkista napit.
- Älä ylitä suositusarvoja, jotka osoitetaan "Ohjelmataulukko" ja jotka viittaavat kuivan pyykin painoon.

Paljonko pyykki painavat?

- 1 lakana 400-500 gr.
- 1 tyynynpäällinen 150-200 gr.
- 1 pöytäliina 400-500 gr.
- 1 kylpytakki 900-1.200 gr.
- 1 pyyhe 150-250 gr.

Erietyiset vaatekappaleet

Villa: Ohjelmalla 8 voidaan pestä pesukoneessa kaiken tyyppisiä villatuotteita, myös merkinnällä "vain käsinpesuun" varustettuja vaatteita. Parhaan tuloksen saavuttamiseksi käytä erityistä villapesuainetta äläkä ylitä täytmäärää 1,5 kg.

Silkki: käytä kyseistä ohjelmaa 9 kaikkien silkivaatteiden pesuun. Suositellaan käyttämään erityistä herkkien tuotteiden pesuun soveltuvaa pesuainetta.

Verhot: taita verhot ja laita ne tyynynpäällisen tai verkkopussin sisälle. Käytä ohjelmaa 9.

Jeans: käännä vaatteet ennen pesua ja käytä nestemäistä pesuainetta. Käytä ohjelmaa 10.

Lastin tasapainottamisjärjestelmä

Ennen jokaista linkousta liiallisen tärimän välttämiseksi ja lastin jakamiseksi tasaisesti rumpu suorittaa muutaman kiertoa hieman tavallista pesua nopeammin. Jos toistuvista yrityksistä huolimatta lasti ei jakaudu riittävän tasaisesti, kone suorittaa linkouksen oletettua hitaammalla nopeudella. Mikäli epätasapaino on liiallinen, pyykinpesukone suorittaa jakamisen linkouksen sijasta. Jotta edesautetaan lastin jakautumista ja sen tasapainottumista oikein, suositellaan sekoittamaan suuret ja pienet pyykki.

Pesukoneen toiminnassa voi joskus ilmetä ongelmia. Ennen Huoltoapuun soittamista (*katso "Huoltoapu"*), tarkista seuraavan luettelon avulla, että kyseessä ei ole helposti ratkaistava ongelma.

Häiriöt:

Pesukone ei käynnisty.

Mahdolliset syyt / Ratkaisu:

- Pistoketta ei ole työnnetty pistorasiaan tai se on työnnetty niin huonosti, että ei muodostu kontaktia.
- Kodissa on sähkökatkos.

Pesujakso ei aloita toimintaansa.

- Luukku ei ole kunnolla kiinni.
- Näppäintä ON/OFF ei ole painettu.
- Näppäintä START/PAUSE ei ole painettu.
- Vesihana ei ole auki.
- On asetettu viivästys käynnistykseen (*katso "Omavalintaiset toiminnot"*).

Pesukoneeseen ei tule vettä (pesun ensimmäisen vaiheen merkkivalo vilkkuu nopeasti).

- Veden syöttöletkua ei ole liitetty vesihanaan.
- Letku on taipunut.
- Vesihana ei ole auki.
- Kodista puuttuu vesi.
- Vedenpaine ei ole riittävä
- Painiketta START/PAUSE ei ole painettu.

Pesukone täyttää ja poistaa vettä jatkuvasti.

- Poistoletkua ei ole asennettu 65 – 100 cm:n korkeudelle maasta (*katso "Asennus"*).
- Poistoletkun pää on veteen upotettuna (*katso "Asennus"*).
- Seinäviemärissä ei ole ilma-aukkoa.
Jos näiden tarkistusten jälkeen ongelma ei ratkea, sulje vesihana, sammuta pesukone ja soita huoltoapuun. Jos asunto on kerrostalon ylimmissä kerroksissa voi esiintyä ns. lappoilmiöitä, joiden vuoksi pesukone syöttää ja poistaa vettä jatkuvasti. Tämän häiriön poistamiseksi on mahdollista ostaa tarkoitukseen sopiva lappoilmiön estoventtiili.

Pesukone ei poista vettä tai linkoa.

- Ohjelmaan ei kuulu veden tyhjennys: joidenkin ohjelmien yhteydessä tulee käynnistää se manuaalisesti (*katso "Käynnistys ja ohjelmat"*).
- Veden poistoletku on taipunut (*katso "Asennus"*).
- Veden poistokanava on tukkeutunut.

Pesukone pärisee voimakkaasti linkouksen aikana.

- Rumpua ei ole vapautettu kunnollisesti asennuksen yhteydessä (*katso "Asennus"*).
- Pesukone ei ole vaakatasossa (*katso "Asennus"*).
- Pesukone on tiukassa huonekalujen ja seinän välissä (*katso "Asennus"*).

Pesukoneesta vuotaa vettä.

- Veden syöttöletkua ei ole kiinnitetty kunnolla (*katso "Asennus"*).
- Pesuainelokerikko on tukkeutunut (sen puhdistamiseksi *katso "Huolto ja hoito"*).
- Veden poistoletkua ei ole kiinnitetty kunnolla (*katso "Asennus"*).

"Lisätoiminnot" merkkivalot sekä merkkivalo "START/PAUSE" vilkkuvat ja toinen merkkivaloista "käynnissä olevan vaihe" tai "luukku lukossa" syytty kiinteänä.

- Sammuta kone ja poista pistoke pistorasiasta, odota noin 1 minuutti ja käynnistä se uudelleen.
Jos häiriö on edelleen havaittavissa, soita huoltoapuun.

Vahtoa muodostuu liikaa.

- Pesuainetta ei ole tarkoitettu pesukoneille (siitä täytyy löytyä kirjoitus "pesukoneille", "pesukoneille tai käsinpesuun", tai vastaava).
- Annostelu on ollut liiallinen.

Huoltoapu

FI

Ennen huoltoapuun soittamista:

- Tarkista, voidaanko häiriö poistaa omin voimin (*katso "Häiriöt ja korjaustoimet"*);
- Käynnistä ohjelma uudelleen tarkistaaksesi, onko ongelma jo ratkennut;
- Kielteisessä tapauksessa ota yhteyttä valtuutettuun huoltoliikkeeseen, jonka puhelinnumero löytyy takuutodistuksesta.

! Älä koskaan käytä valtuuttamattomia teknikoita.

Ilmoita:

- häiriön tyyppi;
- koneen malli (Mod.);
- sarjanumero (S/N).

Nämä tiedot löytyvät tietolaatasta, joka sijaitsee pyykinpesukoneen takapuolella sekä etupuolelta avaamalla luukku.

DK

Dansk

IWC 6165

Indholdsfortegnelse

Installation, 62-63

Udpakning og planstilling
Tilslutning af vand og elektricitet
Første vaskecyklus
Tekniske oplysninger

Vedligeholdelse, 64

Afbrydelse af vand og elektricitet
Rengøring af vaskemaskinen
Rengøring af skuffen til vaskemiddel
Behandling af låge og tromle
Rengøring af pumpen
Eftersyn af slangen til vandforsyning

Forholdsregler og råd, 65

Generelle sikkerhedsregler
Bortskaffelse

Beskrivelse af vaskemaskinen, og start af et program, 66-67

Betjeningspanel
Kontrollamper
Start af et program

Programmer, 68

Programoversigt

Personlige indstillinger, 69

Indstilling af temperaturen
Indstilling af centrifugeringen
Funktioner

Vaskemiddel og vasketøj, 70

Skuffe til vaskemiddel
Blegecyklus
Klargøring af vasketøjet
Specielt vasketøj
System til afbalancering af vasketøjet

Fejl og afhjælpning, 71

Servicetjeneste, 72

Installation

DK

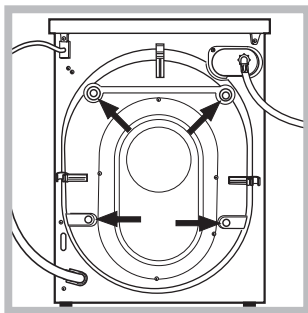
! Det er vigtigt at opbevare denne vejledning til senere opslag. Ved salg, overdragelse eller flytning skal man sørge for, at brugervejledningen følger med vaskemaskinen, samt oplyse den nye ejer om funktionen og forholdsreglerne.

! Læs venligst vejledningen omhyggeligt: den indeholder vigtige oplysninger om installation, brug og sikkerheden.

Udpakning og planstilling

Udpakning

1. Pak vaskemaskinen ud.
2. Undersøg, at vaskemaskinen ikke er blevet beskadiget under transporten. Hvis den er beskadiget, må den ikke tilsluttes, og man skal rette henvendelse til forhandleren.



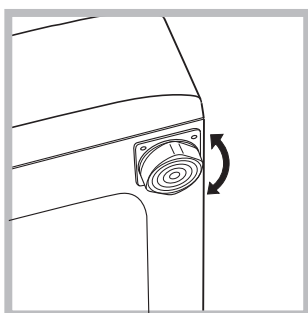
3. Fjern de 4 skruer til beskyttelse under transporten, samt gummidelen og det tilhørende afstandsstykke anbragt bagpå (se illustrationen).

4. Luk hullerne med de medfølgende plastikpropper.
5. Gem alle delene. De skal genmonteres, hvis vaskemaskinen skal transporteres.

! Emballagen må ikke bruges som legetøj af børn.

Planstilling

1. Installer vaskemaskinen på et solidt og fladt gulv; undgå at støtte den op ad mure, møbler eller andet.

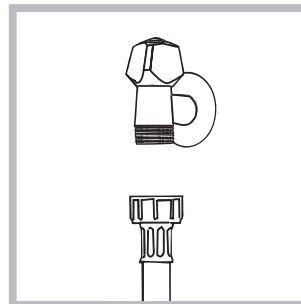


2. Hvis gulvet ikke er helt vandret, skal uregelmæssigheden udjævnes ved at stramme eller slække de forreste justeringsben (se illustrationen). Hældningsvinklen, der måles på arbejdsfladen, må ikke overskride 2°.

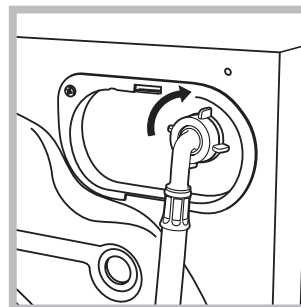
Præcis planstilling giver maskinen større stabilitet og forhindrer vibrationer, støj og flytning under funktionen. Hvis gulvet er dækket af et tæppe, skal benene justeres på en sådan måde, at der under vaskemaskinen efterlades et rum, der er tilstrækkelig stort til at sikre ventilation.

Tilslutning af vand og elektricitet

Tilslutning af slangen til vandforsyning



1. Fastgør forsyningsslangen ved at skrue den fast til en koldt vandshane med det gevindskårne 3/4 mundstykke (se illustrationen). Inden tilslutningen skal vandet løbe, indtil det er klart.



2. Skru forsyningsslangen til vaskemaskinen på vandindtaget øverst til højre bagpå (se illustrationen).

3. Sørg for at slangen hverken er bøjet eller klempt.

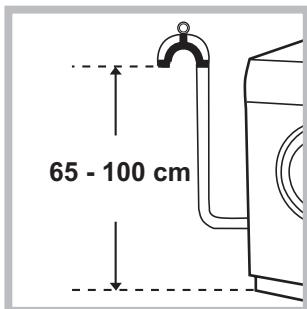
! Vandtrykket fra hanen skal ligge inden for de værdier, der kan ses på tabellen med tekniske oplysninger (se modstående side).

! Hvis forsyningsslangen ikke er tilstrækkelig lang, skal man kontakte en specialforretning eller en autoriseret tekniker.

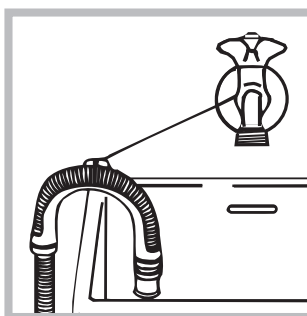
! Udskift aldrig med brugte slanger.

! Brug de slanger, der følger med maskinen.

Tilslutning af afløbsslangen



Tilslut afløbsslangen, uden at den bøjes, til et afløbsrør eller et vægmonteret afløb anbragt mellem 65 og 100 cm over jorden,



eller lad den støtten på kanten af en vask eller et badekar, og fastgør den medfølgende ledeskinne til hanen (se illustrationen). Den frie ende af afløbsslangen må ikke dækkes af vand.

! Brug af forlængerstykker på slangen frarådes. Såfremt dette ikke kan undgås, skal forlængerenslange have samme diameter som den originale slange og må ikke være længere end 150 cm.

Tilslutning af strøm

Inden stikket sættes i stikkontakten skal man sørge for følgende:

- at stikkontakten er udstyret med jordforbindelse og overholder kravene i lovgivningen;
- at stikkontakten tåler vaskemaskinens maksimale effekt, der fremgår af tabellen med tekniske oplysninger (se modstående side);
- at forsyningsspændingen er inden for værdierne, der fremgår af tabellen med tekniske oplysninger (se modstående side);
- at stikkontakten passer til vaskemaskinens stik. Hvis dette ikke er tilfældet skal stikkontakten eller stikket udskiftes.

! Vaskemaskinen må ikke installeres uden dørs - dette gælder også, selvom stedet er overdækket, da det er meget farligt at udsætte vaskemaskinen for regn, tordenvejre etc.

! Når vaskemaskinen er installeret skal det være let at få adgang til stikkontakten.

! Anvend aldrig forlængerledninger eller flerdobbelte stikdåser.


! Forsyningsledningen må ikke være bøjet eller sammentrykket.

! Forsyningsledningen må udelukkende udskiftes af autoriserede teknikere.

Pas på! Fabrikanten kan ikke gøres ansvarlig for skader, der opstår som følge af manglende overholdelse af disse regler.

Første vaskecyklus

Efter installation, og inden brug bør man foretage en vaskecyklus uden vasketøj, men med vaskemiddel, efter at have indstillet programmet 2.

Tekniske oplysninger	
Model	IWC 6165
Mål	bredde 59,5 cm højde 85 cm dybde 53,5 cm
Kapacitet	fra 1 til 6 kg
Elektriske tilslutninger	Se typeskiltet med tekniske egenskaber på maskinen
Tilslutning af vand	max tryk 1 MPa (10 bar) min tryk 0,05 MPa (0,5 bar) tromlens kapacitet 52 liter
Centrifugeringshastighed	max 1600 omdr./min
Kontrolprogrammer iht. direktiverne 1061/2010 og 1015/2010	Program 3: Bomuld 60°C. Program 4: Bomuld 40°C.
	Apparatet opfylder kravene i følgende EU-direktiver: - 2004/108/CE (Elektromagnetisk kompatibilitet) og senere ændringer - 2006/95/CE (Lavspænding) - 2002/96/CE

Vedligeholdelse

DK

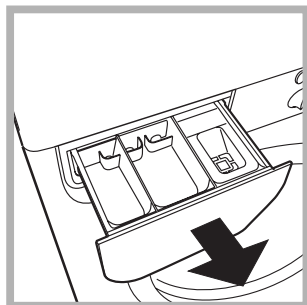
Afbrydelse af vand og elektricitet

- Luk vandhanen efter hver vask. På denne måde begrænses sliddet på vaskemaskinens vandanlæg, og man fjerner faren for lækage.
- Træk stikket ud fra stikkontakten, når vaskemaskinen rengøres og under vedligeholdelse.

Rengøring af vaskemaskinen

Vaskemaskinens yderside og gummidele kan rengøres med en klud, der er fugtet med lunkent vand og sæbe. Anvend aldrig opløsningsmidler eller slibemidler.

Rengøring af skuffen til vaske-middel



Træk skuffen ud ved at løfte opad og trække udad (se illustrationen). Vask skuffen under rindende vand; denne rengøring skal udføres med jævne mellemrum.

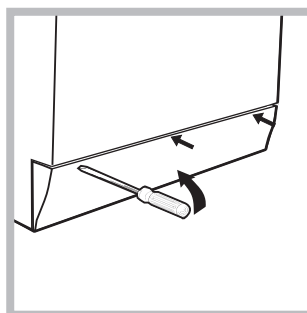
Behandling af låge og tromle

- Lågen skal altid efterlades på klem, således at der ikke opstår dårlig lugt.

Rengøring af pumpen

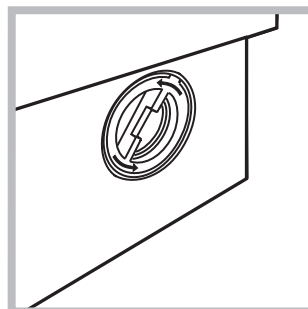
Vaskemaskinen er forsynet med en selvrensende pumpe, der ikke kræver nogen form for vedligeholdelse. Det kan dog hænde, at små genstande (mønter, knapper) falder ned i forkammeret til beskyttelse af pumpen; dette forkammer er placeret inde i selve pumpen.

! Kontrollér, at vaskecyklussen er afsluttet, og træk stikket ud.



Adgang til forkammeret:

1. Fjern tildækningspanelet på forsiden af vaskemaskinen ved hjælp af en skruetrækker (se illustrationen).



2. Skru låget af ved at dreje det venstre om (se illustrationen): det er normalt, at der løber lidt vand ud.

3. Rengør indersiden omhyggeligt.
4. Skru låget på igen.
5. Genmonter panelet efter først at have sørget for, at krogene er indsat i åbningerne, inden panelet skubbes mod maskinen.

Eftersyn af slangen til vandforsyning

Kontrollér forsyningsslangen mindst én gang om året. Hvis slangen er revnet eller har fordybninger skal den udskiftes. Under vask kan de kraftige tryk medføre pludselige brud.

! Udskift aldrig med brugte slanger.

! Vaskemaskinen er udviklet og bygget i overensstemmelse med de internationale sikkerhedsstandarder. Disse advarsler gives af hensyn til sikkerheden, og der henstilles til, at de læses omhyggeligt.

Generelle sikkerhedsregler

- Dette apparat er udviklet udelukkende til brug i hjemmet.
- Dette apparat må kun anvendes af børn fra 8 år og op og personer med nedsatte fysiske, sansemæssige eller mentale evner, eller personer, som ikke har tilstrækkelig erfaring med eller kendskab til apparatet, hvis det sker under opsyn eller hvis de forinden er blevet instrueret i brugen af apparatet på sikker vis og under forsikring om, de er bevidste om faren forbundet med brugen. Børn må ikke lege med apparatet. Vedligeholdelse og rengøring må ikke udføres af børn uden opsyn.
- Vaskemaskinen må kun anvendes af voksne i overensstemmelse med oplysningerne i denne brugervejledning.
- Undgå at røre ved maskinen, hvis man er barfodet eller har våde hænder eller fødder.
- Træk aldrig stikket ud fra stikkontakten v.h.a. ledningen; tag derimod fat i stikket.
- Træk aldrig skuffen til vaskemiddel ud, mens vaskemaskinen er i funktion.
- Rør aldrig afløbsvandet, da vandet kan nå meget høje temperaturer.
- Bryd under ingen omstændigheder lågen op: sikkerhedsmekanismen til beskyttelse mod utilsigtet åbning kan blive ødelagt.
- I tilfælde af fejlfunktioner må man aldrig skaffe sig adgang til de interne mekanismer for at forsøge at reparere dem.
- Sørg altid for, at børn ikke kommer i nærheden af maskinen mens den er i funktion.
- Under vask har lågen tendens til at blive varm.
- Hvis vaskemaskinen skal flyttes, skal flytningen udføres af 2-3 personer, og der skal udvises stor forsigtighed. Forsøg aldrig at flytte vaskemaskinen alene, da den er meget tung.
- Kontroller, at tromlen er tom, inden der lægges tøj i vaskemaskinen.

Bortskaffelse

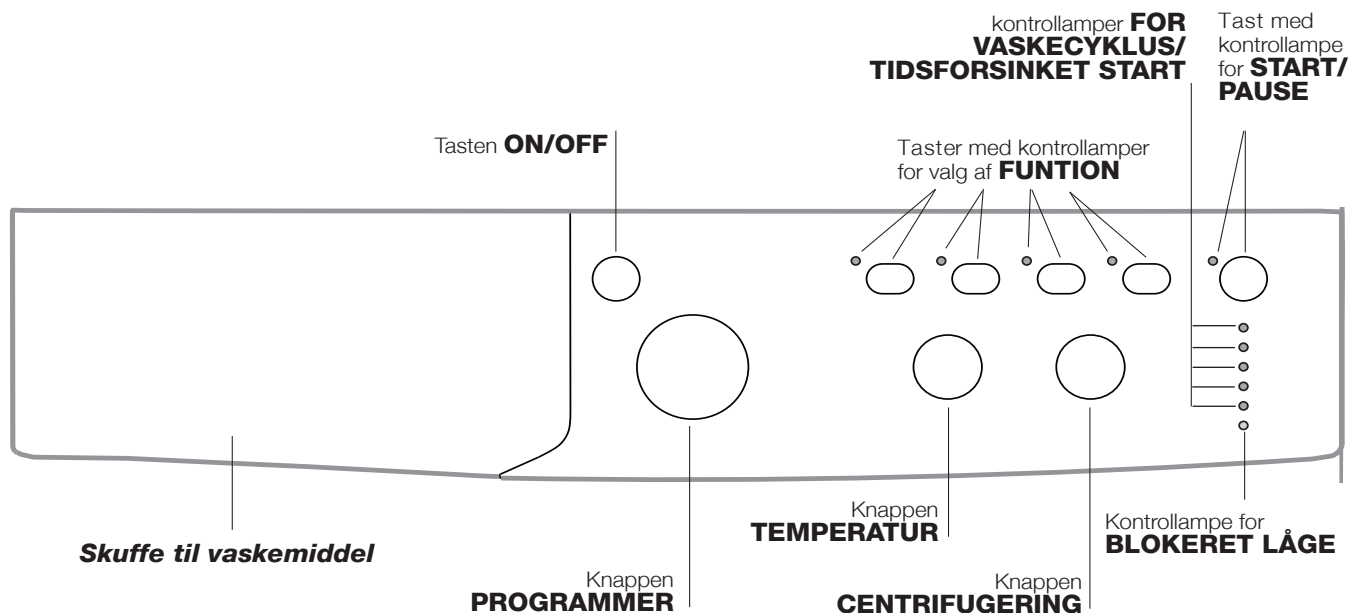
- Bortskaffelse af emballagematerialet: Overhold den lokale lovgivning, således at emballagen kan genbruges.
- Det Europæiske Direktiv 2002/96/EC angående Waste Electrical and Electronic Equipment (Affaldshåndtering af Elektriske og Elektroniske udstyr), kræver at når gamle elektronisk husholdningsudstyr skal udskilles må dette ikke ske på en usorteret

måde. Gamle elektroniske apparater skal indsamles separat for at optimere genbrugligheden af de materialer apparaterne besidder. Derved reduceres den skadelig påvirkning på mennesker og miljø mest mulig. Symbolet med krydset over skallespanden på produktet, vil påminde dig om dit ansvar til at indsamle disse produkter separat. Det opfordres stærkt, at man tager kontakt til sin lokale kommune eller forhandler for yderligere information angående affaldshåndteringen af gamle elektroniske apparater.

Beskrivelse af vaskemaskinen, og start af et program

DK

Betjeningspanel



Skuffe til vaskemiddel Til ifyldning af vaskemiddel og tilsætningsmidler (se "Vaskemiddel og vasketøj").

Tasten **ON/OFF**: Tænder og slukker for vaskemaskinen.

Knappen **PROGRAMMER**: Til indstilling af programmer. Under programmet bevæges knappen ikke.

Taster med kontrollamper for valg af **FUNKTION**: Til valg af de tilgængelige funktioner. Kontrollampen for den valgte funktion vil være tændt.

Knappen **CENTRIFUGERING**: Til indstilling eller afbrydelse af centrifugering (se "Personlige indstillinger").

Knappen **TEMPERATUR**: til indstilling af temperaturen eller vask i koldt vand (se "Personlige indstillinger").

Kontrollamper **FOR VASKECYKLUS/TIDSFORSINKET START**: Giver mulighed for at se på hvilket niveau vaskesprogrammet befinder sig.

Den tændte lampe angiver den igangværende fase. Hvis funktionen "Tidsforsinket start" er indstillet, vises den resterende tid til start af programmet (se *modsatte side*).

Kontrollampe for **BLOKERET LÅGE**: Viser, om lågen kan åbnes (se *modsatte side*).

Tast med kontrollampe for **START/PAUSE**: Til start af programmer eller midlertidig afbrydelse.

N.B.: På denne knap kan man sætte vasken på pause. Den pågældende lampe blinker orange, mens lampen for den igangværende fase lyser konstant. Hvis kontrollampen **BLOKERET LÅGE** er slukket, kan man åbne lågen. For at genstarte vasken fra det punkt, hvor den blev afbrudt, skal man trykke på tasten igen.

Standby

Denne vaskemaskine stemmer overens med de nye standarder for el-besparelse og er udstyret med et selvlu-kkende system (standby), der slås til efter 30 minutter, hvis vaskemaskinen ikke er i brug. Tryk kort på tasten ON/OFF, og vent på, at maskinen genaktiveres.

Forbrug i off-mode: 0,5 W

Forbrug i Left-on: 0,5 W

Kontrollamper

Kontrollamperne giver vigtige oplysninger. Deres betydning:

Tidsforsinket start

Hvis man har aktiveret funktionen for "Tidsforsinket start" (se "Personlige indstillinger"), vil kontrollampen for den valgte forsinkelse efter start begynde at blinke:

- 3h 
- 6h 
- 9h 
- 12h 






Som tiden skrider frem vises den resterende tid ved at den pågældende lampe blinker.

- 3h 
- 6h 
- 9h 
- 12h 

Når tiden for den forsinkede start er gået, starter det indstillede program.

Fase under udførelse

Efter valg og start af vaskecyklussen tænder kontrollamperne i trin for at vise det aktuelle vaskeniveau.

- Vask 
- Skylninger 
- Centrifugering 
- Tømning 
- Afslutning vask 

Funktionstaster og kontrollamper

Når der vælges en funktion, tænder den pågældende kontrollampe. Hvis den valgte funktion ikke kan anvendes til det indstillede program, blinker lampen og funktionen vil ikke blive aktiveret.

Hvis den valgte funktion ikke kan køre sammen med en tidligere indstillet funktion, blinker lampen ud for den første valgte funktion, og det er så kun den anden funktion, der aktiveres. Lampen ud for den aktiverede funktion tænder.

Kontrollampe for blokeret låge


Kontrollampen tændes for at vise, at lågen er blokeret til forebyggelse af utilsigtet åbning; man skal vente indtil kontrollampen slukker før lågen åbnes (ca. 3 minutter).

For at åbne lågen under en igangværende vask skal man trykke på knappen START/PAUSE. Hvis kontrollampen BLOKERET LÅGE er slukket, er det muligt at åbne lågen.

Start af et program

1. Tænd vaskemaskinen ved at trykke på tasten ON/OFF. Alle kontrollamper tænder i nogle sekunder, hvorefter de slukker igen og kontrollampen for START/PAUSE blinker.
2. Læg vasketøjet i vaskemaskinen og luk lågen.
3. Indstil PROGRAM-knappen på det ønskede program.
4. Indstil vasketemperaturen (se "Personlige indstillinger").
5. Indstil centrifugeringshastigheden (se "Personlige indstillinger").
6. Hæld vaskemiddel og tilsætningsmidler i (se "Vaskemiddel og vasketøj").
7. Vælg de ønskede funktioner.
8. Start programmet ved at trykke på tasten START/PAUSE. Den pågældende kontrollampe lyser grønt.

For at annullere den indstillede vaskecyklus, skal man sætte maskinen på pause ved at trykke på tasten START/PAUSE og vælge en ny vaskecyklus.



9. Når programmet er færdigt, tænder kontrollampen **END**. Når kontrollampen for BLOKERET LÅGE  slukker, kan man åbne lågen. Tag vasketøjet ud og efterlad lågen på klem for at tørre tromlen.

Sluk for vaskemaskinen ved at trykke på tasten ON/OFF.

Programmer

DK

Programoversigt

Programmer	Programbeskrivelse	Maks. temp. (°C)	Maks. hastighed (omdr./ min.)	Vaskemiddel				Maks. mængde (kg)	Overskydende fugt %	Energiforbrug Wh	I alt vand lt	Varighed Normal
				Forvask	Vask	Skyll- middel	Blege- middel					
Hverdagsprogrammer (Daily)												
1	Bomuld Forvask: Meget snavsede hvide tekstiler.	90°	1600	●	●	●	-	6	44	2,18	75	150'
2	Bomuld: Meget snavsede hvide tekstiler.	90°	1600	-	●	●	●	6	44	2,10	70	140'
3	Bomuld 60°C (1): Meget snavsede hvide og resistente kulørte tekstiler.	60°	1600	-	●	●	●	6	44	1,03	49	190'
4	Bomuld 40°C (2): Meget snavsede hvide og sarte kulørte tekstiler.	40°	1600	-	●	●	●	6	44	1,09	92	180'
5	Kulørte Bomuld: Let snavsede hvide og sarte kulørte tekstiler.	40°	1600	-	●	●	●	6	44	0,60	50	85'
6	Syntetisk: Meget snavsede, resistente kulørte tekstiler.	60°	800	-	●	●	●	3,5	44	0,93	47	115'
6	Syntetisk (3): Let snavsede, resistente kulørte tekstiler.	40°	800	-	●	●	●	3,5	44	0,57	46	100'
7	Bomuld 20°C: Meget snavsede hvide og sarte kulørte tekstiler.	20°	1600	-	●	●	●	6	-	-	-	170'
Specialprogrammer (Special)												
8	Uld: Til uld, kashmir osv.	40°	800	-	●	●	-	1,5	-	-	-	70'
9	Silke/Gardiner: Til tekstiler i silke, viskose, linge.	30°	0	-	●	●	-	1	-	-	-	55'
10	Jeans	40°	800	-	●	●	-	3,5	-	-	-	75'
11	Express: For hurtig opfriskning af let snavsede tøj (anbefales ikke til uld, silke og tekstiler, der er beregnet til håndvask).	30°	800	-	●	●	-	1,5	71	0,19	31	15'
Sport												
12	Sport Intensive	30°	600	-	●	●	-	2,5	-	-	-	85'
13	Sport Light	30°	600	-	●	●	-	2,5	-	-	-	60'
14	Sport Shoes	30°	600	-	●	●	-	Max. 2 par.	-	-	-	60'
Tilvalgsfunktioner												
	Skyllning	-	1600	-	-	●	●	6	-	-	-	36'
	Centrifugering + Tømning	-	1600	-	-	-	-	6	-	-	-	16'

Vaskens varighed, der angives på displayet eller i vejledningen, er et skøn beregnet på baggrund af standardbetingelserne. Den faktiske tid kan variere afhængigt af en lang række faktorer såsom vandets temperatur og tryk, omgivelsesens temperatur, mængden af vaskemiddel, den konkrete mængde og type vasketøj samt fordelingen af vasketøjet og valget af tilvalgsfunktioner.

1) Kontrolprogrammer iht. 1061/2010 standarden. Indstil programmet 3 ved en temperatur på 60° C.

Denne cyklus er egnet til vask af moderat snavsede bomuldstekstiler og er den mest effektive hvad angår energi- og vandforbrug. Programmet bruges til tekstiler, der kan vaskes på 60°C. Vasketemperaturen kan afvige fra den angivne temperatur.

2) Kontrolprogrammer iht. 1061/2010 standarden. Indstil programmet 4 ved en temperatur på 40° C.

Denne cyklus er egnet til vask af moderat snavsede bomuldstekstiler og er den mest effektive hvad angår energi- og vandforbrug. Programmet bruges til tekstiler, der kan vaskes på 40°C. Vasketemperaturen kan afvige fra den angivne temperatur.

Til alle Test Institutes:

2) Langt uldprogram: Indstil programmet 4 ved en temperatur på 40° C.

3) Syntetisk program sammen: Indstil programmet 6 ved en temperatur på 40° C.

Bomuld 20° (program 7) er ideelt til vask af snavsede bomuld. De gode præstationer, også ved koldvask, kan sammenlignes med en vask på 40° og garanteres af en mekanisme, der arbejder med variationer i hastigheden med gentagne og hyppige spidsværdier.

Express (program 11) er beregnet til hurtig vask af let snavsede tøj. Programmet varer kun 15 minutter og sparer således både energi og tid. Ved at indstille programmet (11 på 30° C) er det muligt at vaske forskellige slags tekstiler (med undtagelse af uld og silke) med en samlet vægt på maks. 1,5 kg samtidigt.


Sport Intensive (program 12) er beregnet til vask af sportbeklædning (træningstøj, sokker osv.), som er meget snavsede. For det bedste vaskeresultat tilrådes det ikke at fylde maskinen mere end angivet i "Programoversigt".

Sport Light (program 13) er beregnet til vask af sportbeklædning (træningstøj, sokker osv.), som kun er let snavsede. For det bedste vaskeresultat tilrådes det ikke at fylde maskinen mere end angivet i "Programoversigt". Det anbefales at bruge flydende vaskemiddel og en dosering til halv fyldning.

Sport Shoes (program 14) er beregnet til vask af gummisko. For bedst muligt vaskeresultat bør man maks. vaske 2 par ad gangen.

Indstilling af temperaturen

Ved drejning af TEMPERATUR-knappen indstilles vasketemperaturen (se *Programoversigten*).

Temperaturen kan sænkes ned til vask med koldt vand .

Maskinen forhindrer automatisk, at man kan indstille en højere temperatur end beregnet for hvert enkelt program.

Indstilling af centrifugeringen

Ved drejning af CENTRIFUGERINGS-knappen indstilles centrifugeringshastigheden for det valgte program.

Der findes følgende maks. hastigheder:

Programmer	Maks. hastighed
Bomuld	1600 omdr./min.
Syntetiske tekstiler	800 omdr./min.
Uld	800 omdr./min.
Silke	kun tømning

Centrifugeringshastigheden kan sænkes, eller helt afbrydes ved valg af symbolet .

Maskinen forhindrer automatisk, at der udføres hurtigere centrifugering end beregnet for hvert enkelt program.

Funktioner

De forskellige vaskefunktioner på vaskemaskinen giver mulighed for at få den ønskede renhed og hvidt vasketøj.

Aktivering af funktionerne:

1. Tryk på tasten for den ønskede funktion.
2. Den pågældende kontrollampe tænder og angiver, at funktionen er slået til.

Bemærk: Hvis kontrollampen blinker hurtigt, er det tegn på, at den pågældende funktion ikke kan vælges til det indstillede program.

EcoTime

Ved valg af denne tilvalgsfunktion vil den mekaniske bevægelse, temperaturen og vandet blive optimeret til reduceret fyldning af let snavsede bomuldstekstiler og syntetiske tekstiler (se *“Programoversigt”*). Med **“EcoTime”** udføres vasken på kortere tid, hvilket sparer på både vand og energi. Det anbefales at tilpasse doseringen af vaskemidlet til mængden af tøj.

! Funktionen kan ikke bruges på programmerne 1, 2, 7, 8, 9, 10, 11, 12, 13, 14, , .

Pletfjerner

Blegecyklus egnet til fjernelse af de vanskeligste pletter. Husk at hælde blegemiddel i beholderen til tilsætningsmiddel 4 (se *“Blegecyklus”*).

! Funktionen kan ikke anvendes med programmerne 1, 8, 9, 10, 11, 12, 13, 14, .

Ekstra skylning

Ved valg af denne funktion øges skylleeffektiviteten, hvilket sikrer, at al vaskemiddel skylles ud. Denne funktion er især nyttig til særligt sarte skindtyper.

! Funktionen kan ikke anvendes på programmerne 11, .

Tidsforsinket start

Forsinker start af vaskemaskinen med op til 12 timer.

Tryk flere gange på tasten, indtil kontrollampen for den ønskede forsinkelse tændes. Ved det femte tryk på tasten slås funktionen fra.

N.B.: Når der er trykket på tasten START/PAUSE kan forsinkelsestiden kun ændres med reducere indtil programstart.

! Den er aktiv med alle programmer.

Vaskemiddel og vasketøj

DK

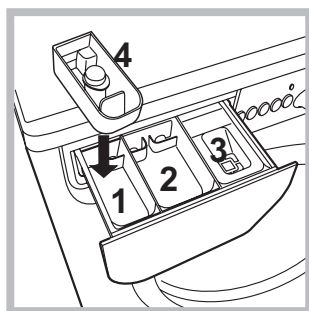
Skuffe til vaskemiddel

Et godt vaskeresultat afhænger også af korrekt dosering af vaskemidlet. Hvis man bruger for meget får man ikke et bedre vaskeresultat, og man forårsager skorpedannelse på vaskemaskinens inderside og medvirker til forurening af naturen.

! Benyt aldrig vaskemidler til vask i hånden, idet de danner for meget skum.

! Brug vaskemidler i pulverform til hvide bomuldstekstiler, forvask og vask ved temperaturer på over 60 °C.

! Følg anvisningerne på vaskemiddelemballagen.



Træk skuffen til vaskemiddel ud og fyld vaskemiddel eller tilsætningsmiddel i ved at følge nedenstående fremgangsmåde:

Beholder 1: Vaskemiddel til forvask (pulver)

Inden ifyldning skal man kontrollere, at beholderen til tilsætningsmiddel 4 ikke er indsat.

Beholder 2: Vaskemiddel til vask (pulver eller flydende)

Flydende vaskemiddel skal først hældes i umiddelbart inden start af vaskemaskinen.

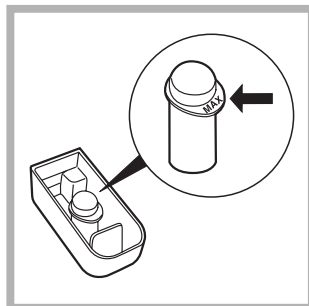
Beholder 3: Tilsætningsmidler (skyllemiddel, etc.)

Skyllimidlet må ikke flyde ud over risten.

Beholder til tilsætningsmiddel 4: Blegemiddel

Blegecyklus

! **Almindeligt** blegemiddel kan kun anvendes til resistente hvide tekstiler, hvorimod **skånsomt** blegemiddel kan anvendes til kulørte tekstiler, syntetiske tekstiler og til uld.



Denne funktion er nyttigt til fjernelse af selv de mest genstridige pletter. Sæt den medfølgende beholder til tilsætningsmiddel 4 ned i beholder 1.

Overskrid ikke "max" niveauet på den midterste stift (se figuren) ved påfyldning af blegemiddel.

For kun at udføre blegning, skal blegemidlet hældes i beholderen til tilsætningsmidlet 4, hvorefter man skal indstille programmet "Skylning" og aktivere funktionen "Pletfjerner".

Ved blegning under vask skal vaskemidlet og tilsætningsmidlerne hældes i, hvorefter man skal indstille det ønskede program og tilslutte funktionen "Pletfjerner". Brug af beholderen til tilsætningsmiddel 4 udelukker forvask.

Klargøring af vasketøjet

- Sorter vasketøjet på grundlag af:
 - tekstiltypen/symbolet på etiketten.
 - farverne: vask kulørte tekstiler adskilt fra hvide tekstiler.
- Tøm lommer og undersøg, at knapperne sidder fast.
- Overskrid aldrig de anførte mængder i "Programoversigt", der henviser til vægten på det tørre vasketøj.

Hvor meget vejer vasketøjet?

- 1 lagen 400-500 g.
- 1 pudebetræk 150-200 g.
- 1 dug 400-500 g.
- 1 badekåbe 900-1.200 g.
- 1 håndklæde 150-250 g.

Specielt vasketøj

Uld: Med program 8 kan man vaske alle typer uldtøj, også dem med etikette med påskriften "vask i hånden". For bedst muligt vaskeresultat tilrådes det at bruge specielt vaskemiddel og ikke fylde maskinen med mere end 1,5 kg vasketøj.

Silke: brug det passende program 9 til vask af alle silke-tekstiler. Det anbefales at bruge et særligt vaskemiddel til sarte tekstiler.

Gardiner: fold dem omhyggeligt og læg dem i et pudebetræk eller i en netpose. Brug programmet 9.

Jeans: Vend vrangen udad og brug flydende vaskemiddel. Brug program 10.

System til afbalancering af vasketøjet

Inden centrifugeringen udfører tromlen nogle omdrejninger ved en hastighed, der er lidt højere end under vask, for at undgå vibrationer og for at fordele tøjet ligeligt. Hvis tøjet efter gentagne forsøg stadig ikke af korrekt afbalanceret, foretager maskinen centrifugeringen ved en lavere hastighed end normalt. Hvis uligevægten er for stor, fordeler vaskemaskinen tøjet frem for at udføre centrifugeringen. For at opnå en bedre fordeling af tøjet og en korrekt afbalancering, tilrådes det at blande store og små stykker tøj.

Det kan hænde, at vaskemaskinen ikke fungerer. Inden der ringes til servicetjenesten (se "Servicetjeneste"), skal man kontrollere, at det ikke drejer sig om et problem, der nemt kan løses ved hjælp af nedenstående oversigt.

Fejl:

Mulige årsager / Løsning:

Vaskemaskinen tændes ikke.

- Stikket er ikke sat i stikkontakten, eller er ikke sat helt ind.
- Der er strømsvigt i huset.

Vaskecyklussen starter ikke.

- Lågen er ikke lukket rigtigt.
- Der er ikke trykket på tasten ON/OFF.
- Der er ikke trykket på tasten START/PAUSE.
- Vandhanen er ikke åben.
- Der er indstillet forsinket start (se "Personlige indstillinger").

Vaskemaskinen tager ikke vand ind (kontrollampen for første vaskefase blinker hurtigt).

- Slangen til vandforsyning er ikke tilsluttet vandhanen.
- Slangen er bøjet.
- Vandhanen er ikke åben.
- Der er ingen vandforsyning i huset.
- Der er ikke tilstrækkeligt tryk.
- Der er ikke trykket på tasten START/PAUSE.

Vaskemaskinen tager vand ind og tømmer vand ud samtidigt.

- Afløbsslangen er ikke monteret mellem 65 og 100 cm fra gulvet (se "Installation").
 - Den frie ende af afløbsslangen er dækket af vand (se "Installation").
 - Afløbet i væggen er ikke forsynet med udluftningshul.
- Hvis problemet ikke er blevet løst efter denne kontrol, skal vandhanen lukkes og vaskemaskinen slukkes. Ring til servicecenteret. Hvis boligen ligger på en høj etage, er der risiko for, at der opstår hævert-forstyrrelser, således at vaskemaskinen tager vand ind og tømmer vand ud samtidigt. Denne form for forstyrrelse afhjælpes ved montering af specielle anti-hævertventiler, der kan købes i almindelig handel.

Vaskemaskinen tømmer ikke vandet ud og centrifugerer ikke.

- Programmet medfører ikke udtømning af vandet. På nogle programmer skal dette gøres manuelt (se "Start og programmer").
- Afløbsslangen er bøjet (se "Installation").
- Afløbsrørforbindelsen er tilstoppet.

Vaskemaskinen vibrerer kraftigt under centrifugeringen.

- Tromlen er ikke blevet frigivet korrekt i forbindelse med installering af vaskemaskinen (se "Installation").
- Maskinen står ikke plant (se "Installation").
- Maskinen står for tæt op ad møbler og væg (se "Installation").

Der kommer vand ud fra vaskemaskinen.

- Slangen til vandforsyning er ikke korrekt strammet (se "Installation").
- Skuffen til vaskemiddel er tilstoppet (for rengøring se "Vedligeholdelse").
- Afløbsslangen er ikke fastgjort korrekt (se "Installation").

Kontrollamperne for "tilvalgsfunktioner" og kontrollampen "START/PAUSE" blinker og en af kontrollamperne for "programstatus" og "blokeret låge" lyser fast.

- Sluk for maskinen, tag stikket ud af stikkontakten, vent i ca. 1 minut og tænd den igen.
Hvis fejlen varer ved, skal man kontakte servicetjenesten.

Der dannes for meget skum.

- Vaskemidlet er ikke egnet til vaskemaskiner (der skal stå "til maskinvask", "til vask i hånden eller maskinvask" eller tilsvarende).
- Der er fyldt for meget vaskemiddel i.

Servicejeneste

DK

Inden der ringes til Servicejenesten:

- Kontrollér, om du selv kan udbedre fejlen (se "*Fejl og afhjælpning*");
- Start programmet igen for at undersøge om fejlen er blevet udbedret;
- Hvis dette ikke er tilfældet, bedes man ringe til servicecenteret på telefonnummeret anført på garantibeviset.

! Tilkald aldrig uautoriserede teknikere.

Oplys venligst:

- Type af fejl;
- Maskinmodellen (Mod.);
- Serienummeret (S/N).

Disse oplysninger finder man på typeskiltet, der sidder bag på vaskemaskinen og nederst foran, hvis man åbner lågen.

NO

Norsk

IWC 6165

Innhold

Installering, 74-75

Utpakking og nivellering
Tilkopling til strøm og vannforsyning
Den første vaskesyklusen
Tekniske data

Pleie og vedlikehold, 76

Stenge forsyningen av vann og strøm
Rengjøring av vaskemaskinen
Rengjøre såpeskuffen
Ta vare på døren og trommelen til apparatet
Rengjøring av pumpen
Kontrollere vanninntaksslangen

Forholdsregler og tips, 77

Generell sikkerhet
Skrotning

Beskrivelse av vaskemaskinen og start av en vaskesyklus, 78-79

Kontrollpanel
Indikatorlamper
Starte en vaskesyklus

Programmer, 80

Tabell over vaskesykluser

Enkeltilfeller, 81

Stille temperaturen
Innstilling av sentrifugeringshastigheten
Funksjoner

Vaskemidler og vask, 82

Såpeskuff
Blekesyklus
Klargjøre vasken
Plagg som krever spesialbehandling
Laste balansesystem

Feilsøking, 83

Hjelp, 84

Installering

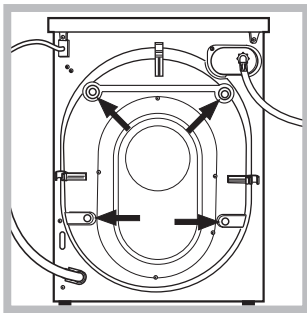
NO

! Lagre denne brukerveiledningen på et trygt sted for fremtidig bruk. Hvis vaskemaskinen selges, overføres eller flyttes, se til at instruksene medfølger maskinen, slik at den nye eieren kan bli kjent med bruk av maskinen og funksjonene.
! Les disse instruksjonene nøye: Disse inneholder viktig informasjon om sikker installering og drift av apparatet.

Utpakking og nivellering

Utpakking

1. Fjern maskinen fra innpakningen.
2. Se til at vaskemaskinen ikke har blitt skadet under transporten. Hvis den er skadet, ta kontakt med forhandleren, og ikke fortsett med installasjonsprosessen.



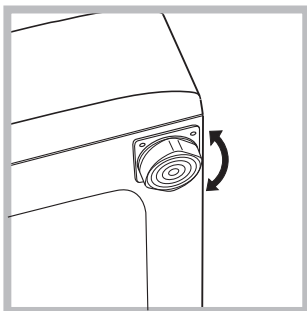
3. Fjern 4 beskyttelsesskruer (som brukes under transport) og gummitetningen med tilhørende avstandsstykke, som befinner seg på baksiden av apparatet (se figur).

4. Lukk hullene ved bruk av plastpluggene som medfølger.
5. Oppbevar alle delene på et trygt sted: Du vil ha behov for disse igjen hvis maskinen må flyttes til et annet sted.

! Pakkematerialer er ikke leketøy for barn.

Nivellering

1. Installer vaskemaskinen på et flatt, stødig underlag, uten å sette den opp mot vegger, møbelskap eller noe annet.

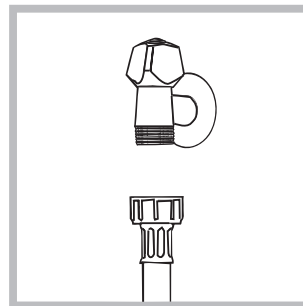


2. Hvis gulvet ikke er helt flatt, skal denne ujevnheten kompenseres for ved å trekke til eller løsne de justerbare frontføttene (se figur); hellingsvinkelen målt i forhold til arbeidsbenken skal ikke overstige 2°.

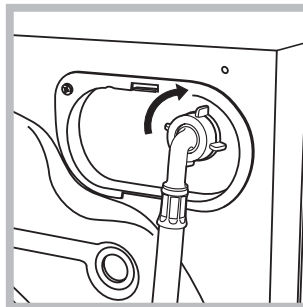
Riktig nivellering av maskinen gir stabilitet, hjelp til å unngå vibrasjoner og unødig støy, samt forhindre den fra å forskyve seg under drift. Hvis den plasseres på et teppe eller løper, skal føttene justeres slik at det er nok ventilasjonsplass under vaskemaskinen.

Tilkopling til strøm og vannforsyning

Kople til vanninntaksslangen



1. Kople inntaksslangen ved å skru den til en kaldtvannskran med gjengetut $\frac{3}{4}$ gass (se figur). Før gjennomføring av tilkoplingen skal vannet renne fritt inntil det er helt klart.



2. Tilkople inntaksslangen til vaskemaskinen ved å skru den på tilhørende vanninntak på apparatet, som befinner seg øverst til høyre på apparatets bakside (se figur).

3. Se til at slangen ikke knekkes eller bøyes.

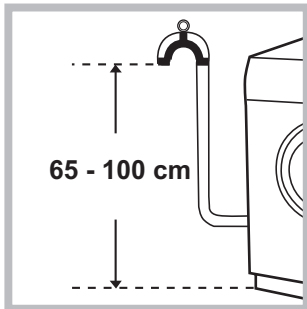
! Vanntrykket ved kranen må være innenfor de verdiene som er indikert i tabellen over tekniske data (se neste side).

! Hvis inngangsslangen ikke er lang nok, ta kontakt med en spesialbutikk eller en autorisert tekniker.

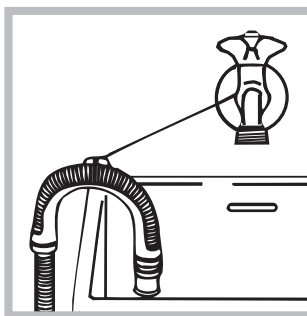
! Bruk aldri brukte slanger.

! Bruk de som medfølger maskinen.

Tilkopling av tømmeslangen



Tilkople tømmeslangen, uten å bøye den, for å tømme et rør eller veggavløp som befinner seg i en høyde på mellom 65 og 100 cm fra gulvet,



eller legg den i en utslagsvask eller et badekar og fest medfølgende kanal som medfølger til kranen (se figur). Den fri enden av slagen skal ikke være under vann.

! Vi advarer mot bruk av slangeforlengelser, men hvis det er absolutt nødvendig, må forlengelsen ha samme diameter som den opprinnelige slangen og skal ikke være lenger enn 150 cm.

Elektriske tilkoplinger

Før apparatet tilkoples strømuttaket, se til at:

- uttaket er jordet og oppfyller alle gjeldende lover;
- uttaket er i stand til å motstå maks. strømbelastning fra apparatet slik som indikert i tabellen over tekniske data (se neste side);
- strømforsyningsspenningen faller innenfor de verdiene som finnes i tabellen over tekniske data (se neste side);
- uttaket er kompatibelt med støpselet på vaskemaskinen. Hvis dette ikke er tilfelle, skal uttaket eller støpselet skiftes.

! Vaskemaskinen skal ikke installeres utendørs, selv på tildekkede steder. Det er ekstremt farlig å la apparatet utsettes for regn, stormer og andre værforhold.

! Når vaskemaskinen er installert, må strømuttaket være innen lett rekkevidde.

! Ikke bruk flerstikksinnretninger eller skjøteledninger.

! Ledningen skal ikke være bøyd eller under trykk.

! Strømledningen skal kun skiftes av autoriserte teknikere.

Advarsel! Selskapet skal ikke holdes ansvarlig hvis disse reglene ikke respekteres.

Den første vaskesyklusen

Når apparatet er installert og før du bruker det for første gang, kjør en vaskesyklus med vaskemiddel og ingen vask, ved bruk av vaskesyklus 2.

Tekniske data

Modell	IWC 6165
Mål	bredde 59,5 cm høyde 85 cm dybde 53,5 cm
Kapasitet	Fra 1 til 6 kg
Tilkopling til strømmettet	Se merkeskiltet med tekniske egenskaper som er plassert på maskinen
Tilkopling til vannuttak	Maksimalt trykk 1 MPa (10 bar) Minimalt trykk 0,05 MPa (0,5 bar) lastekapasitet i vasketrommelen 52 liter
Sentrifugehastighet	opp til 1600 omdreininger i minuttet
Kontrollprogrammer i henhold til direktivene 1061/2010 og 1015/2010	Program 3: Standard bomull 60°C. Program 4: Standard bomull 40°C.
 	Dette apparatet er i samsvar med følgende Direktiver fra den Europeiske Union: - 2004/108/CE (Elektromagnetisk kompatibilitet) - 2002/96/CE - 2006/95/CE (Lavspenning)

Pleie og vedlikehold

NO

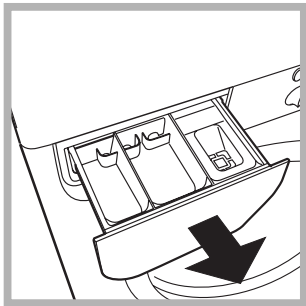
Stenge forsyningen av vann og strøm

- Slå av vannkranen etter hver vaskesyklus. Dette vil begrense slitasjen på hydraulikksystemet inne i vaskemaskinen og hjelpe til med å forhindre lekkasjer.
- Trekk ut vaskemaskinen ved rengjøring og under alt vedlikeholdsarbeid.

Rengjøring av vaskemaskinen

De ytre delene og gummikomponentene på apparatet skal rengjøres ved bruk av en myk klut bløtgjort i lunkent såpevann. Ikke bruk løsemidler eller skuremidler.

Rengjøre såpeskuffen



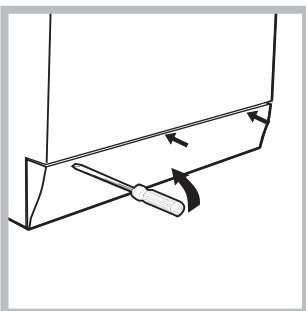
Fjern skuffen ved å løfte den og så trekke den rett ut (se figuren). Vask den under rennende vann. Dette skal gjøres ofte.

Ta vare på døren og trommelen til apparatet

- La alltid døren stå på gløtt for å forhindre ubehagelige lukter fra å dannes.

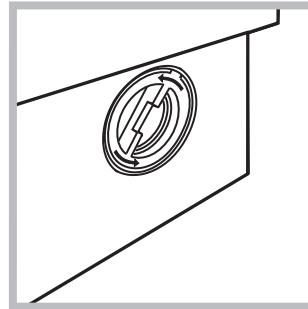
Rengjøring av pumpen

Vaskemaskinen er montert med en selvrensende pumpe som ikke krever noe vedlikehold. Noen ganger kan små gjenstander (f.eks. mynter eller knapper) falle inn i forkammeret som beskytter pumpen, plassert i nedre del. **!** Se til at vaskesyklusen er ferdig, og trekk ut støpselet fra strømuttaket.



For å nå forkammeret:

1. Ved bruk av en skrutrekker, fjernes panelet på nedre forside av vaskemaskinen (se figur);



2. Skru løs lokket ved å rotere det mot venstre (se figur): litt vann kan renne ut. Dette er normalt;

3. Rengjør innsiden grundig;
4. Skru på lokket igjen;
5. Plasser panelet igjen, og se til at krokene er sikkert på plass før du skyver dem på apparatet.

Kontrollere vanninntaksslangen

Kontroller vanninntaksslangen minst én gang årlig. Hvis det er noen sprekker, skal den straks skiftes ut: I løpet av vaskesyklusene er vanntrykket svært høyt, og en sprukket slange kan lett eksplodere.

! Bruk aldri brukte slanger.

! Denne vaskemaskinen ble designet og konstruert i overensstemmelse med internasjonale sikkerhetsforskrifter. Følgende informasjon er gitt av sikkerhetsmessige årsaker og skal derfor leses omhyggelig.

Generell sikkerhet

- Dette apparatet er designet kun for hjemmebruk.
- Dette apparatet kan brukes av barn fra åtteårsalderen og av personer med nedsatte sanse-, fysiske og mentale evner, eller personer uten erfaring eller kunnskap, på betingelse av at de holdes under oppsyn eller de har blitt forklart hvordan apparatet skal brukes på en trygg måte, og at de er klar over risikoene det innebærer. Man må ikke tillate at barn leker med apparatet. Barn skal ikke vedlikeholde eller rengjøre apparatet uten oppsyn.
- Ikke rør maskinen når du er barfot eller med våte eller fuktige hender eller føtter.
- Ikke kople fra strømmen ved å trekke i strømledningen når apparatet frakoples strømuttaket. Hold i støpselet og trekk.
- Ikke åpne såpeskuffen mens maskinen er i bruk.
- Ikke rør det uttømte vannet, siden dette kan nå ekstremt høye temperaturer.
- Ikke bruk makt på porthulldøren. Dette kan skade sikkerhetslåsemekanismen som er designet til å forhindre utilsiktet åpning.
- Hvis apparatet svikter, skal du ikke under noen omstendighet gå inn i de indre mekanismene i et forsøk på å reparere apparatet selv.
- Hold alltid barn på avstand fra apparatet når det er i bruk.
- Døren kan bli svært varm i løpet av vaskesyklusen.
- Hvis apparatet må flyttes, jobb i en gruppe på to eller tre personer og håndter det ytterst forsiktig. Prøv aldri å gjøre dette alene, da apparatet er svært tungt.
- Før det legges inn vask i vaskemaskinen, se til at trommelen er tom.

Skroting

- Deponering av pakkematerialene: Overhold lokale forskrifter, slik at pakkematerialene kan gjenbrukes.
- Det europeiske direktivet 2002/96/EC i forbindelse med elektrisk og elektronisk avfallsutstyr (WEEE) erklærer at husholdningsapparater ikke skal kastes med annet vanlig husholdningsavfall. Utslitte apparater skal samles separat for å optimere kostnaden av gjenbruk og resirkulering av materialene inne i maskinen, mens potensiell skade på atmosfæren og offentlig helse forhindres. Den utkryssede papirkurven finnes på alle produkter for å minne eieren om pliktene vedrørende separat avfallshåndtering. For mer

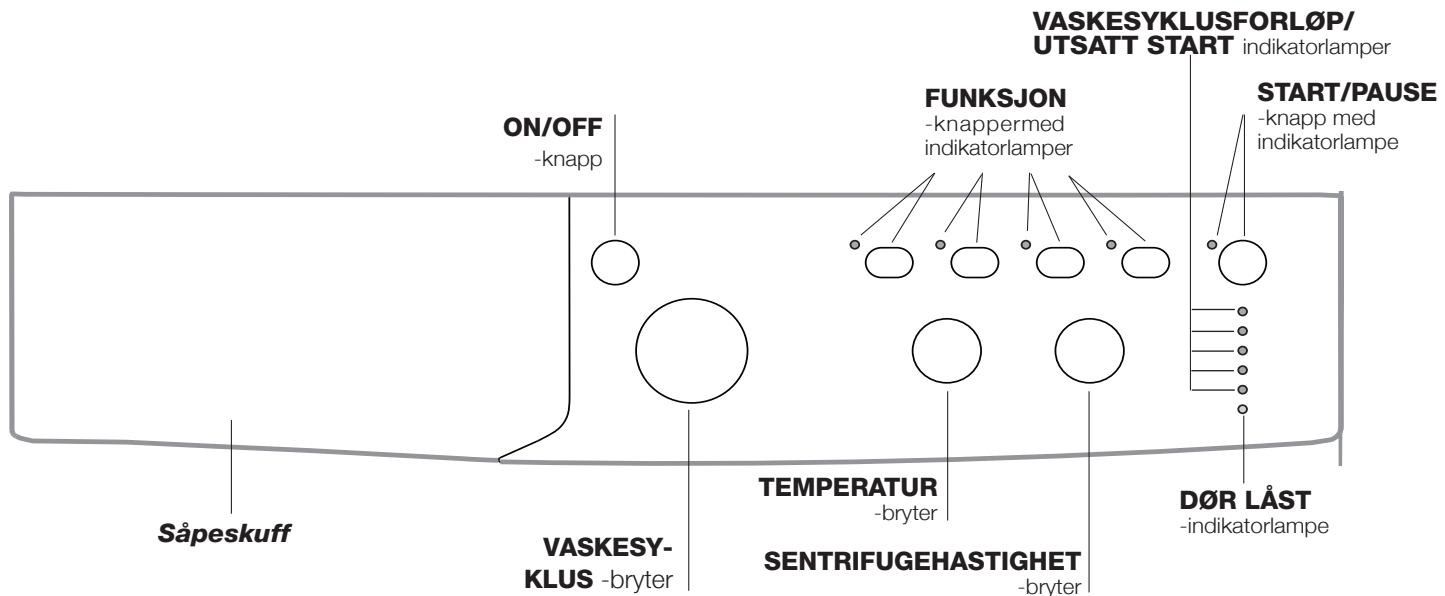
informasjon om riktig avfallshåndtering av husholdningsapparater, skal eierne kontakte de lokale myndighetene eller apparatets forhandler.

NO

Beskrivelse av vaskemaskinen og start av en vaskesyklus

Kontrollpanel

NO



Såpeskuff: brukes til å lagre vaskemiddel og tilsetninger (se "Vaskemidler og vask").

ON/OFF -knapp: Slår vaskemaskinen på og av.

VASKESYKLUS -bryter: Programmerer vaskesyklusene. I løpet av vaskesyklusen beveger ikke bryteren seg.

FUNKSJON- knapper med indikatorlamper: brukes til å velge tilgjengelige funksjoner. Indikatorlyset som tilhører valgt funksjon vil være tent.


SENTRIFUGEHASTIGHET -bryter: stiller inn sentrifugehastigheten eller utelukker sentrifugeringen helt (se "enkelttilfeller").

TEMPERATUR -bryter: stiller inn temperaturen eller kald vaskesyklus (se "enkelttilfeller").

VASKESYKLUSFORLØP/UTSATT START indikatorlamper: brukes til å overvåke forløpet av vaskesyklusen. Den tente indikatorlampen viser hvilken fase som pågår. Hvis forsinkelsestimeren er stilt inn, vil gjenstående tid inntil vaskesyklusen starter indikeres (se neste side).

DØR LÅST indikatorlys: indikerer om døren kan åpnes eller ikke (se neste side).

START/PAUSE -knapp med indikatorlampe: starter eller stopper vaskesyklusen midlertidig.

N.B.: For å stanse vaskesyklusen midlertidig under vasking, trykkes denne knappen. Den tilhørende indikatorlampen vil blinke oransje mens indikatorlyset for aktuell vaskesyklus vil forbli tent. Hvis indikatoren DØR LÅST  slukker, kan døren åpnes.

For å starte vaskesyklusen fra det punktet den ble avbrutt, trykker du på denne knappen enda en gang.

Modus for stand by

Denne vaskemaskinen er, i samsvar med de nye forskriftene for energibesparelse, utstyrt med et selvslukkende system (stand by) som trår i kraft etter 30 minutter der maskinen ikke er i bruk. Trykk kort på tasten ON/OFF og vent til maskinen settes i gang igjen.

Forbruk i off-modus: 0,5 W

Forbruk i Left-on: 0,5 W

Indikatorlamper

Indikatorlampene gir viktig informasjon. Dette er hva de kan fortelle deg:

Utsatt start

Hvis "Utsatt start" -funksjon har blitt aktivert (se "enkelttilfeller"), etter at vaskesyklusen har blitt startet, vil indikatorlampen til tilhører valgt forsinkelsestid begynne å blinke:

3h 

6h 

9h 

12h 

Etter som tiden går, vil gjenstående forsinkelse vises, og tilhørende indikatorlampe vil blinke:

3h 

6h 






9h 

12h 

Når innstilt forsinkelsestid er utløpt, vil blinkeindikatorlyset slås av, og valgt vaskesyklus vil begynne.

Indikatorlamper for vaskesyklusfase

Når den ønskede vaskesyklusen har blitt valgt og har begynt, bytter indikatorlampene en etter en til å indikere hvilken fase av syklusen som for tiden er i gang.


Vask	
Skyllinger	
Sentrifugering	
Tømming	
Slutten av en vaskesyklus	

Funksjonsknapper og tilhørende indikatorlamper

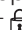
Når en funksjon velges, vil det tilhørende indikatorlyset tennes. Hvis den valgte funksjonen ikke er kompatibel med programmert vaskesyklus, vil det tilhørende indikatorlyset blinke, og så vil funksjonen vil ikke bli aktivert. Hvis den valgte funksjonen ikke er kompatibel med en annen funksjon som tidligere er valgt, vil indikatorlyset som tilhører første funksjon blinke og kun den andre funksjonen aktiveres, indikatorlyset som tilhører den aktiverte funksjonen vil være tent.

indikatorlampe for låst dør

Når varsellampen er tent betyr det at vaskeluken er blokkert for å hindre tilfeldig åpning. For å kunne åpne den, må du vente til varsellampen slukkes (vent cirka 3 minutter).



For å åpne luken mens en vaskesyklus er i gang, trykker man på tasten START/PAUSE, dersom varsellampen DØR LÅST  slukkes vil det være mulig å åpne luken.

Starte en vaskesyklus

- Slå av maskinen ved å trykke på ON/OFF-knappen. Alle indikatorlampene vil slås på i noen sekunder, så vil de slukke, og START/PAUSE-indikatoren vil blinke.
- Legg inn vasken og lukk døren.
- Still VASKESYKLUS-knotten på ønsket program.
- Stiller inn vasketemperaturen (se "enkelttilfeller").
- Stiller inn sentrifugehastigheten (se "enkelttilfeller").
- Mål vaskemiddel og vasketilsetninger (se "Vaskemidler og vask").
- Velg ønskede funksjoner.
- Start vaskesyklusen ved å trykke på START/PAUSE-knappen, og tilhørende indikatorlampe vil bli varig tent, i grønt. For å avbryte innstilt vaskesyklus, still maskinen på pause ved å trykke på START/PAUSE-knappen og velge en ny syklus.
- På slutten av vaskesyklusen vil END-indikatoren tennes. Når varsellampen DØR LÅST  slukkes vil det være mulig å åpne luken. Ta ut vasken og la apparatets dør stå på gløtt og se til at trommelen tørker fullstendig. Slå av maskinen ved å trykke på ON/OFF-knappen.

Vaskesykluser

Tabell over vaskesykluser

Vaskesykluser	Beskrivelse av vaskesyklusen	Maks. temp. (°C)	Maks. hastighet (omdreininger per minutt)	Vaskemidler				Maks. last (kg)	Resterende fuktighet %	Energiforbruk Wh	Totalt vann lt	Syklusvarighet
				Forvask	Hovedvask	Tøymykner	Blekemiddel					
Hverdagsprogram (Daily)												
1	Bomull Forvask 90°: Hvitt, veldig skittent tøy.	90°	1600	●	●	●	-	6	44	2,18	75	150'
2	Bomull: Hvitt, veldig skittent tøy.	90°	1600	-	●	●	●	6	44	2,10	70	140'
3	Standard bomull 60° (1): Svært skitten hvitvask og resistente farger.	60°	1600	-	●	●	●	6	44	1,03	49	190'
4	Standard bomull 40° (2): Svært skitten hvitvask og delikate farger.	40°	1600	-	●	●	●	6	44	1,09	92	180'
5	Kulørt Bomull : Lett skitten hvitvask og delikate farger.	40°	1600	-	●	●	●	6	44	0,60	50	85'
6	Syntetisk: Svært skitten holdbar kulørtvask.	60°	800	-	●	●	●	3,5	44	0,93	47	115'
6	Syntetisk (3): Lett skitten holdbar kulørtvask.	40°	800	-	●	●	●	3,5	44	0,57	46	100'
7	Standard bomull 20°: Svært skitten hvitvask og delikate farger.	20°	1600	-	●	●	●	6	-	-	-	170'
Spesialprogram (Special)												
8	Ull: For ull, kashmir osv.	40°	800	-	●	●	-	1,5	-	-	-	70'
9	Silke/Gardiner: For plagg i silke og viskose, pent undertøy.	30°	0	-	●	●	-	1	-	-	-	55'
10	Jeans	40°	800	-	●	●	-	3,5	-	-	-	75'
11	Express: For å friske opp lett skitne plagg hurtig (egner seg ikke for ull, silke og klær som krever håndvask).	30°	800	-	●	●	-	1,5	71	0,19	31	15'
Sport												
12	Sport Intensive	30°	600	-	●	●	-	2,5	-	-	-	85'
13	Sport Light	30°	600	-	●	●	-	2,5	-	-	-	60'
14	Sport Shoes	30°	600	-	●	●	-	Maks. 2 par.	-	-	-	60'
Delprogram												
	 Skyllinger	-	1600	-	-	●	●	6	-	-	-	36'
	 Sentrifugering + Tømming	-	1600	-	-	-	-	6	-	-	-	16'

Lengden på vaskesyklusen, som angis på skjermen eller i anvisningen, er et overslag basert på standard forhold. Den virkelige tiden kan variere på grunnlag av flere faktorer, så som temperatur og vanntrykk i innførsel, romtemperatur, mengde vaskemiddel, mengde og type klær som vaskes, hvordan klærne er lastet inn, samt ekstra valgmuligheter som er valgt.

1) Testvaskesykluse i overensstemmelse med bestemmelse 1061/2010: Still inn vaskesyklus 3, med en temperatur på 60°C.

Denne syklusen passer til å rengjøre en normal skitten last med bomullsplagg og er den mest effektive når det gjelder kombinert forbruk av vann og strøm, og kan brukes på plagg som kan vaskes ved 60°C. Den effektive vasketemperaturen kan være forskjellig fra den som angis.

2) Testvaskesykluse i overensstemmelse med bestemmelse 1061/2010: Still inn vaskesyklus 4, med en temperatur på 40°C.

Denne syklusen passer til å rengjøre en normal skitten last med bomullsplagg og er den mest effektive når det gjelder kombinert forbruk av vann og strøm, og kan brukes på plagg som kan vaskes ved 40°C. Den effektive vasketemperaturen kan være forskjellig fra den som angis.

For alle testinstitutter:

2) Lang vaskesyklus for bomullstoffer: Still inn vaskesyklus 4, med en temperatur på 40°C.

3) Syntetisk program sammen: Still inn vaskesyklus 6, med en temperatur på 40°C.

Standard bomull 20° (program 7) Ideelt for vask av skittent bomullstøy. De gode vaskeresultatene som man oppnår selv i kaldt vann, kan sammenlignes med de man oppnår ved 40 grader, takket være en mekanisk funksjon med varierende hastighet med gjentatte og hyppige topper.

Express (vaskesyklus 11) denne vaskesyklusen ble utviklet for å vaske lett skittent tøy hurtig: Det varer kun 15 minutter og sparer dermed både energi og tid. Ved å velge denne vaskesyklusen (11 ved 30°C), er det mulig å vaske ulike stoffer sammen (unntatt for ull- og silkeplagg), med en maksimal last på 1,5 kg.

Sport Intensive (vaskesyklus 12) er laget med tanke på veldig skittent sportstøy (joggedrakter, shorts, osv.); For å oppnå de beste resultatene anbefales det å ikke overskride maksimal last som angis i "Tabell over vaskesykluser".

Sport Light (vaskesyklus 13) er laget med tanke på lite skittent sportstøy (joggedrakter, shorts, osv.); For å oppnå de beste resultatene anbefales det å ikke overskride maksimal last som angis i "Tabell over vaskesykluser". Det anbefales å bruke flytende vaskemiddel og bruk en mengde som passer til halvlastet vaskemaskin.

Sport Shoes (vaskesyklus 14) er laget med tanke på sportssko. For å oppnå de beste resultatene skal ikke mer enn 2 par vaskes om gangen.

Stille temperaturen

Vri TEMPERATUR-bryteren for å stille inn vasketemperaturen (se *Tabell for vaskesykluser*).

Temperaturen kan senkes eller stilles til kald vask .

Vaskemaskinen vil automatisk forhindre at du velger en temperatur som er høyere enn maks. verdi som er innstilt for hver vaskesyklus.

Innstilling av sentrifugeringshastigheten

Vri bryteren SENTRIFUGEHASTIGHET for å stille inn sentrifugehastighet for valgt vaskesyklus.

Maks. sentrifugehastighet som er tilgjengelig for hver vaskesyklus er som følger:

Vaskesykluser	Maksimal sentrifugehastighet
Bomullstoffer	1600 o/min
Syntetiske stoffer	800 o/min
Ull	800 o/min
Kun	silketømming

Sentrifugehastigheten kan senkes, eller sentrifugesyklusen kan utelukkes helt ved å velge symbolet .

Vaskemaskinen vil automatisk forhindre at du velger en sentrifugehastighet som er høyere enn maks. hastighet som er innstilt for hver vaskesyklus.

Funksjoner

De ulike vaskefunksjonene som er tilgjengelige med denne vaskemaskinen vil hjelpe til å oppnå ønskede resultater, hver gang.

For å aktivere funksjonene:

1. Trykk på knappen som tilsvarer den ønskede funksjonen.
2. Funksjonen er aktivert når det tilhørende indikatorlyset lyser.

Merk: Hvis indikatorlampen blinker hurtig, signaliserer dette at den bestemte funksjonen ikke kan velges i forbindelse med valgt vaskesyklus.


Ec@Time

Ved å velge dette valget vil den mekaniske bevegelsen, temperaturen og vannet optimeres for redusert last med lite skitne bomulls- og syntetiske klær (se *"Tabell over vaskesykluser"*). Med **"Ec@Time"** kan du vaske på kortere tid, og dermed spare vann og strøm. Det anbefales å bruke en mengde flytende vaskemiddel som passer til mengden last.

! Den kan ikke brukes med programmene 1, 2, 7, 8, 9, 10, 11, 12, 13, 14, , .

Flekkfjerner

Syklus for bleking egnet for å fjerne de vanskeligste flekker. Husk å fylle på blekemiddel i det ekstra kammeret 4 (se *"Blekesyklus"*).

! Denne funksjonen kan ikke brukes i forbindelse med vaskesyklusene 1, 8, 9, 10, 11, 12, 13, 14, .

Ekstra Skylling

Ved å velge dette alternativet økes effektiviteten til skyllingen, og optimal fjerning av vaskemiddel garanteres. Det er spesielt nyttig for sensitiv hud.

! Den kan ikke brukes sammen med programmene 11, .

Utsatt start

Denne timeren forsinker starttiden på vaskesyklusen med inntil 12 timer.

Trykk gjentatte ganger på knappen inntil indikatorlampen som tilsvarer ønsket forsinkelsestid tennes. Den femte gangen knappen trykkes, vil funksjonen deaktiveres.

N.B.: når du har trykket på knappen START/PAUSE, er det bare mulig å redusere forsinkelsestiden ved å redusere den til inntastet program settes i gang.

! Dette alternativet er aktivert med alle programmer.

Vaskemidler og vask

NO

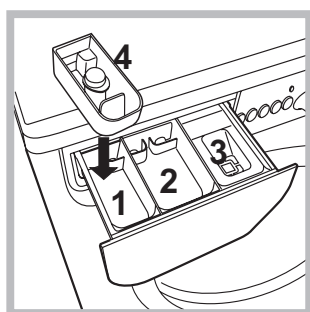
Såpeskuff

Gode vaskeresultater avhenger også av riktig dosering på vaskemiddel: hvis det tilsettes for mye vaskemiddel, betyr ikke dette nødvendigvis at effektiviteten på vaskingen blir bedre, men kan tvert i mot forårsake avleiring på innsiden av maskinen og før til miljøforurensning.

! Ikke bruk vaskemidler for håndvask, siden disse skaper for mye skum.

! Bruk vaskepulver for hvitt bomullstøy og til forvask og for vask ved temperaturer høyere enn 60° C.

! Følg anvisningene som gis på vaskemiddelets forpakning.



Åpne såpeskuffen, og tilsett vaskemiddel eller tilsetninger på følgende måte.

del 1: Vaskemiddel til forvask (pulver)

Før vaskemiddel fylles på, se til at det ekstra huset 4 har blitt fjernet.

del 2: Vaskemiddel til vaskesyklusen (pulver eller flytende)

Flytende vaskemidler skal kun påfylles straks før starten av vaskesyklusen.

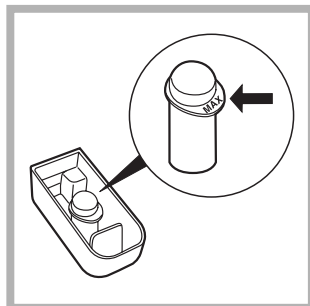
del 3: Tilsetninger (tøymykner osv.)

Tøymykneren skal ikke flyte over.

ekstra del 4: Blekemiddell

Blekesyklus

! Det **vanlige** blekemiddelet må kun brukes på slitesterke hvite tekstiler, mens det **skånsomme** blekemiddelet må brukes for syntetisk kulørt tøy og for ull.



Denne funksjonen er spesielt nyttig for fjerning av vanskelige flekker. Plasser ekstra del 4 (medfølger) i del 1.

Ved tilsetning av blekemiddel se til å ikke helle i mer enn til nivåmerket "max" på midtre bro (se figur).

Kjør blekesyklusen på egen hånd, hell blekemiddelet i ekstradelen 4, still inn programmet "Skyling" og aktiver programmet "Flekkfjerning".

For å bleke i løpet av en vaskesyklus hell i vaskemiddel og tøymykner som du ønsker å bruke, still inn ønsket vaskesyklus og aktiver funksjonen "Flekkfjerning". Bruk av den ekstra delen 4 utelukker forvask-funksjonen.

Klargjøre vasken

- Del opp vasken etter:
 - stofftypen/symbolet på merkelappen.
 - fargene: separer kulørt tøy fra hvitvask.
- Tøm lommene i alle plagg og kontroller knappene.
- Unngå å gå over verdiene angitt i "Tabell over vaskesykluser" med hensyn til vekten på det tørre tøyet.

Hvor mye veier vasken?

- 1 laken 400-500 g
- 1 putevar 150-200 g
- 1 duk 400-500 g
- 1 badekåpe 900-1.200 g
- 1 håndkle 150-250 g

Plagg som krever spesialbehandling

Ull: Med program 8 er det mulig å vaske alle ullplaggene i vaskemaskinen, også de som er merket med etiketten "kun håndvask". For å oppnå best mulig resultat må du bruke et spesifikk vaskemiddel og ikke overskride 1,5 kg med last.

Silke: bruk spesiell vaskesyklus 9 til å vaske alle silkeplagg. Vi anbefaler bruk av spesialvaskemiddel som er laget til å vaske delikate klær.

Gardiner: brett dem sammen og legg dem inni et pute-trekk eller en nettpose. Bruk vaskesyklus 9.

Jeans: Vreng plaggene før vask og bruk flytende vaskemiddel. Bruk program 10.

Laste balansesystem

Før hver sentrifugering roterer trommelen kontinuerlig ved en hastighet som er litt høyere enn vaskeroteringshastigheten for å unngå for mye vibrasjon før hver sentrifugering og fordele lasten jevnt. Hvis lasten etter flere forsøk ikke er balansert riktig, vil maskinen sentrifugere ved redusert sentrifugehastighet. Hvis lasten er svært ubalansert, utfører vaskemaskinen fordelingsprosessen i stedet for å sentrifugere. For å oppmuntre forbedret lastfordeling og balanse anbefaler vi at små og større plagg blandes i lasten.

Det kan hende at vaskemaskinen slutter å virke. Før du tar kontakt med teknisk støttesenter (se "Hjelp"), se til at problemet ikke bare kan løses lett ved å bruke følgende liste.

Problem:

Mulige årsaker / Løsninger:

Vaskemaskinen slås ikke på.

- Apparatet er ikke plagget helt inn i kontakten, eller har ingen kontakt.
- Det er ikke noen strøm i huset.

Vaskesyklusen starter ikke.

- Vaskemaskinens dør er ikke skikkelig lukket.
- ON/OFF-knappen har ikke blitt trykket.
- START/PAUSE-knappen har ikke blitt trykket.
- Vannkranen er ikke åpnet.
- En forsinket start har blitt innstilt (ved bruk av forsinkelsestimeren, se "Enkelttilfeller").

Vaskemaskinen tar ikke inn vann (indikatorlyset for første vaskesyklus blinker hurtig).

- Vanninntaksslangen er ikke tilkoplek kranen.
- Slangen er bøyd.
- Vannkranen er ikke åpnet.
- Det er ikke noen vannforsyning i huset.
- Trykket er for lavt.
- START/PAUSE-knappen har ikke blitt trykket.

Vaskemaskinen tar inn og tømmer ut vann kontinuerlig.

- Tømmeslangen er ikke montert i en høyde mellom 65 og 100 cm fra gulvet (se "Installering").
 - Den fri enden av slangen er under vann (se "Installering").
 - Veggømmingssystemet er ikke montert med ventilatorrør.
- Hvis problemet fortsetter seg etter disse kontrollene, slå av vannkranen, slå av apparatet og ta kontakt med hjelpetjenesten. Hvis husværet ligger i en av de øvre etasjene i en bygning, kan det være problemer som er forbundet med vanntømming, slik at vaskemaskinen fylles med vann og tømmer kontinuerlig. Spesielle anti-tømmingsventiler er tilgjengelige i butikker og hjelper til med å unngå denne kjedelige hendelsen.

Vaskemaskinen kvitter seg ikke med vannet og sentrifugerer ikke.

- Vaskesyklusen inkluderer ikke tømming: Noen vaskesykluser krever at tømme-fasen startes manuelt (se "Starte en vaskesyklus").
- Slangen er bøyd (se "Installering").
- Tømmekanalen er tilstoppet.

Vaskemaskinen vibrerer mye under sentrifugeringen.

- Trommelen ble ikke låst opp riktig under installering (se "Installering").
- Vaskemaskinen er ikke nivellert (se "Installering").
- Vaskemaskinen står fast mellom skap og vegger (se "Installering").

Vaskemaskinen lekker.

- Vanninntaksslangen er ikke skrudd på skikkelig (se "Installering").
- Såpeskuffen er tilstoppet (for rengjøringsinstruksjoner, se "Pleie og vedlikehold").
- Slangen er ikke festet riktig (se "Installering").

Varsellampene for "funksjons-alternativer" og varsellampen for "START/PAUSE" blinker og en av varsellampene for "fase som pågår" og for "dør låst" tennes og lyser fast.

- Slå av maskinen og trekk ut støpselet, vent i ca. 1 minutt og slå den på igjen. Dersom problemet vedvarer, bør du kontakte Teknisk hjelpesenter om problemet.

Det er for mye skum.

- Vaskemiddelet er ikke egnet for maskinvask (det skal vise teksten "For vaskemaskiner" eller "Håndvask og maskinvask" eller lignende).
- For mye vaskemiddel ble brukt.

NO

Før du ringer for hjelp:

- Kontroller om du kan løse problemet selv (se *"Feilsøking"*);
- Start programmet på nytt for å kontrollere om problemet er løst;
- Hvis dette ikke er tilfelle, ta kontakt med et autorisert hjelpesenter ved bruk av telefonnumrene som finnes på garantibeviset.

! Be alltid om hjelp fra autoriserte teknikere.

Ha følgende informasjon klar:

- Problemtype;
- Apparatets modell (Mod.);
- Serienummeret (S/N).

Denne informasjonen kan finnes på dataskiltet som befinner seg på baksiden av vaskemaskinen og kan også finnes foran på apparatet ved å åpne døren.