

Operating instructions

DISHWASHER

EN

English, 1

FR

Français, 16

NL

Nederlands, 31

DIFP 68B1

Contents

Product Fiche, 2

Precautions, advice and Assistance, 3-4

General safety
Disposal
Saving energy and respecting the environment
Assistance

Installation, 5-6

Positioning and levelling
Connecting the water and electricity supplies
Advice regarding the first wash cycle
Technical data

Description of the appliance, 7

Overall view
Control panel

Loading the racks, 8-9

Lower rack
Cutlery basket
Upper rack
Adjusting upper rack

Start-up and use, 10

Starting the dishwasher
Measuring out the detergent

Wash cycles, 11

Table of wash cycles

Special wash cycles and Options, 12

Rinse aid and refined salt, 13

Measuring out the rinse aid
Measuring out the refined salt

Care and maintenance, 14

Shutting off the water and electricity supplies
Cleaning the dishwasher
Preventing unpleasant odours
Cleaning the sprayer arms
Cleaning the water inlet filter
Cleaning the filters
Leaving the machine unused for extended periods


Troubleshooting, 15

Product fiche

EN

Product Fiche	
Brand	INDESIT
Model	DIFP 68B1
Rated capacity in standard place settings (1)	13
Energy efficiency class on a scale from A+++ (low consumption) to D (high consumption)	A+
Energy consumption per year in kWh (2)	293.0
Energy consumption of the standard cleaning cycle in kWh	1.03
Power consumption of the off-mode in W	0.5
Power consumption of the left-on mode in W	5.0
Water consumption per year in litres (3)	3080.0
Drying efficacy class on a scale from G (low efficacy) to A (high efficacy)	A
Programme time for standard cleaning cycle in minutes	190
The duration of the left-on mode in minutes	10
Noise in dB(A) Re 1pW	46
Built-in model	Yes
NOTES	
1) The information on the label and fiche relates to the standard cleaning cycle, this programme is suitable to clean normally soiled tableware and it is the most efficient programme in terms of combined energy and water consumption. The standard cleaning cycle corresponds to the Eco cycle.	
2) Based on 280 standard cleaning cycles using cold water fill and the consumption of the low power modes. Actual energy consumption depends on how the appliance is used.	
3) Based on 280 standard cleaning cycles. Actual water consumption depends on how the appliance is used.	

Precautions, advice and Assistance

 This appliance was designed and manufactured in compliance with international safety standards. The following information has been provided for safety reasons and should therefore be read carefully.

Keep this instruction manual in a safe place for future reference. If the appliance is sold, given away or moved, please ensure the manual is kept with the machine.

Please read these instructions carefully: they contain important information on installation, use and safety.

This appliance is designed for domestic use or similar applications, for example:

- staff kitchen areas in shops, offices and other work environments;
- farmhouses;
- use by guests in hotels, motels and other residential settings;
- bed & breakfasts.

General safety

- The appliance should not be operated by people (including children) with reduced physical, sensory or mental capacities, or by inexperienced people who are not familiar with the product, unless supervision or instructions on how to use it are provided by someone who assumes responsibility for their safety.
- An adult must supervise children at all times to prevent them from playing with the appliance.
- The appliance was designed for domestic use inside the home and is not intended for commercial or industrial use.
- The appliance must be used by adults only to wash domestic crockery in accordance with the instructions in this manual.
- The appliance must not be installed outdoors, even in covered areas. It is extremely dangerous to leave the machine exposed to rain and storms.
- Do not touch the appliance when barefoot.
- When unplugging the appliance always pull the plug from the mains socket. Do not pull on the cable.
- The water supply tap must be shut off and the plug should be removed from the electrical socket before cleaning or maintaining the appliance.
- If the appliance breaks down, do not under any circumstances touch the internal parts in an attempt to perform the repair work yourself.
- Do not lean or sit on the open door of the appliance: this may cause the appliance to overturn.
- The door should not be left open as it may create

a dangerous obstacle.

- Keep detergent and rinse aid out of reach of children.
- The packaging material should not be used as a toy for children.

Disposal

- Disposal of packaging material: observe local legislation so that the packaging may be reused.
- The European Directive 2012/19/EU relating to Waste Electrical and Electronic Equipment (**WEEE**) states that household appliances should not be disposed of using the normal solid urban waste cycle. Exhausted appliances should be collected separately in order to optimise the re-using and recycling rate of the materials inside the machine, while preventing potential damage to the environment and public health. The crossed-out dustbin symbol is marked on all products to remind the owners of their obligations regarding separated waste collection.

For further information relating to the correct disposal of household appliances, owners may contact the relevant public authority or the local appliance dealer.

Saving energy and respecting the environment

Saving water and energy

- Only begin a wash cycle when the dishwasher is full. While waiting for the dishwasher to be filled, prevent unpleasant odours using the Soak cycle (*see Wash cycles*).
- Select a wash cycle that is suited to the type of crockery and to the soil level of the crockery using the Table of wash cycles:
 - for dishes with a normal soil level use the Eco wash cycle, which ensures low energy/water consumption levels.
 - If the load is smaller than usual activate the Half Load option* (*see Start-up and use*).
- If your electricity supply contract gives details of electricity-saving time bands, run wash cycles when electricity prices are lower. The Delayed Start button * (*see Start-up and use*) helps you organise the wash cycles accordingly.

* Only available in selected models.

Phosphate-free and chlorine-free detergents containing enzymes

- We strongly recommend that you use detergents that do not contain phosphates or chlorine, as these products are harmful to the environment.
- Enzymes provide a particularly effective action at temperatures around 50°C. As a result detergents containing enzymes can be used in conjunction with low-temperature wash cycles in order to achieve the same results as a normal 65°C wash cycle.
- To avoid wasting detergent, use the product in appropriate quantities based on the manufacturer's recommendations, the hardness of the water, the soil level and the quantity of crockery to be washed. Even if they are biodegradable, detergents contain substances which may alter the balance of nature.

Assistance

Before contacting Assistance:

- Check whether the problem can be resolved using the Troubleshooting guide (*see Troubleshooting*).
- Restart the programme to check whether the problem has ceased to exist.
- If the problem persists, contact the Authorised Technical Assistance Service.



Never use the services of unauthorised technicians.

Please have the following information to hand:

- The type of malfunction.
- The appliance model (Mod.).
- The serial number (S/N).

This information can be found on the appliance data plate (*see Description of the appliance*).

⚠ If the appliance must be moved at any time, keep it in an upright position; if absolutely necessary, it may be tilted onto its back.

Positioning and levelling

1. Remove the appliance from all packaging and check that it has not been damaged during transportation. If it has been damaged, contact the retailer and do not proceed any further with the installation process.

2. Arrange the dishwasher so that its sides or back panel are in contact with the adjacent cabinets or the wall. This appliance can also be recessed under a single worktop* (*see the Assembly Instruction sheet.*)

3. Position the dishwasher on a level sturdy floor. If the floor is uneven, the front feet of the appliance should be adjusted until it reaches a horizontal position. If the appliance is levelled correctly, it will be more stable and much less likely to move or cause vibrations and noise while it is operating.

4*. To adjust the height of the rear foot, turn the red hexagonal bushing on the lower central part at the front of the dishwasher using a hexagonal spanner with an opening of 8 mm. Turn the spanner in a clockwise direction to increase the height and in an anticlockwise direction to decrease it (*see Building-in Instruction sheet attached to the documentation.*)

Connecting the water and electricity supplies

⚠ Connection to the water and electricity supplies should only be performed by a qualified technician.

⚠ The dishwasher should not stand on the water hoses or electricity supply cable.

⚠ The appliance must be connected to the water supply network using new hoses.

Never use old or second hand hose sets. Do not reuse hose sets from any previously installed dishwasher.

The water inlet and outlet hoses and the electricity supply cable may be positioned towards the right or the left in order to achieve the best possible installation.

Connecting the water inlet hose

- To a suitable cold water connection point: before attaching the hose, run the water until it is perfectly clear so that any impurities that may be present in the water do not clog the appliance; after performing this operation, screw the inlet hose tightly onto a tap with a $\frac{3}{4}$ gas threaded connection.
- To a suitable hot water connection point: your dishwasher may be supplied with hot water from the mains supply (if you have a central heating system with radiators) provided that it does not exceed a temperature of 60°C.

⚠ Screw the hose to the tap as described for connection to a cold water supply.

⚠ If the inlet hose is not long enough, contact a specialist store or an authorised technician (*see Assistance.*)

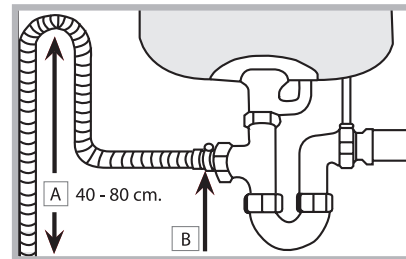
⚠ The water pressure must be within the values indicated in the Technical Data table (*see adjacent information.*)

The hose should not be bent or compressed.

Connecting the water outlet hose

Connect the outlet hose (without bending it) to a drain duct with a minimum diameter of 4 cm.

The outlet hose must be at a height ranging from 40 to 80 cm from the floor / surface where the dishwasher rests (A).



Before connecting the water outlet hose to the sink drain, remove the plastic plug (B).

Anti-flooding protection

To ensure floods do not occur, the dishwasher:

- is provided with a special system which blocks the water supply in the event of anomalies or leaks from inside the appliance.
- Some models are also equipped with the supplementary safety device **New Acqua Stop***, which guarantees anti-flooding protection even in the event of a supply hose rupture.



WARNING: HAZARDOUS VOLTAGE!

Under no circumstances should the water inlet hose be cut, as it contains live electrical parts.

Electrical connection

Before inserting the plug into the electrical socket, make sure that:

- The socket is earthed and complies with current regulations.
- the socket can withstand the maximum load of the appliance, which is indicated on the data plate located on the inside of the door (*see Description of the appliance*);
- The power supply voltage falls within the values indicated on the data plate on the inside of the door.
- The socket is compatible with the plug of the appliance. If this is not the case, ask an authorised technician to replace the plug (*see Assistance*); do not use extension cables or multiple sockets.

⚠ Once the appliance has been installed, the power supply cable and the electrical socket should be easily accessible.

⚠ The cable should not be bent or compressed.

⚠ If the power supply cable is damaged, it must be replaced by the manufacturer or its Technical Assistance Service in order to prevent all potential hazards (*see Assistance.*)


* Only available in selected models.

Anti-condensation strip*

After installing the dishwasher, open the door and stick the adhesive transparent strip under the wooden shelf in order to protect it from any condensation which may form.

Advice regarding the first wash cycle



After the installation, remove the stoppers from the racks and the retaining elastic elements from the upper rack, if any. Immediately before the first washing, completely fill the salt dispenser with water and add only then approximately 1 kg of salt (*see chapter entitled Rinse aid and refined salt*). The water may overflow: this is normal and is not a cause for concern. Select the water hardness value (*see chapter entitled Rinse aid and refined salt*). - After the salt has been poured into the machine, the LOW SALT indicator light* switches off.

 If the salt container is not filled, the water softener and the heating element may be damaged as a result.

The machine has a buzzer/set of tones (*depending on the dishwasher model*) to inform the user that a command has been implemented: power on, cycle end etc.

The symbols/indicator lights/LEDs on the control panel/display may vary in colour and may have a flashing or fixed light (*depending on the dishwasher model*).

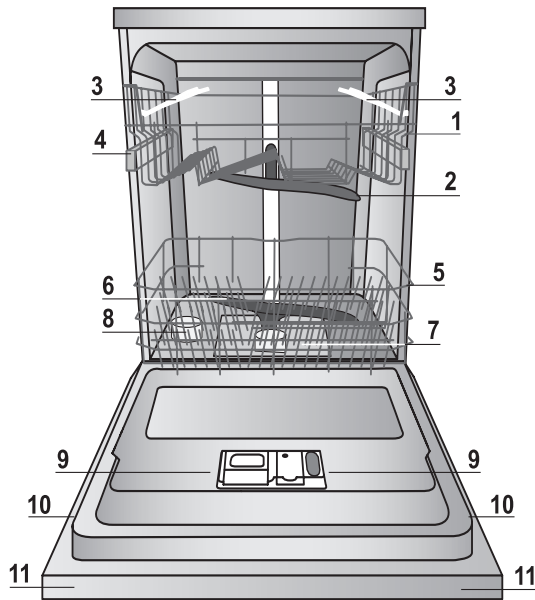
The display provides useful information concerning the type of wash cycle, drying/wash-cycle phase, remaining time, temperature etc etc.

Technical data	
Dimensions	width 59,5 cm height 82 cm depth 57 cm
Capacity	13 standard place-settings
Water supply pressure	0,05 ÷ 1MPa (0,5 ÷ 10 bar) 7,25 – 145 psi
Power supply voltage	See appliance data plate
Total absorbed power	See appliance data plate
Fuse	See appliance data plate
 	This dishwasher conforms to the following European Community Directives: -2006/95/EC (Low Voltage) -2004/108/EC (Electromagnetic Compatibility) -2009/125/EC (Comm. Reg. 1016/2010) (Ecodesign) -97/17/EC (Labelling) -2012/19/EU Waste Electrical and Electronic Equipment (WEEE)

* Only available in selected models.

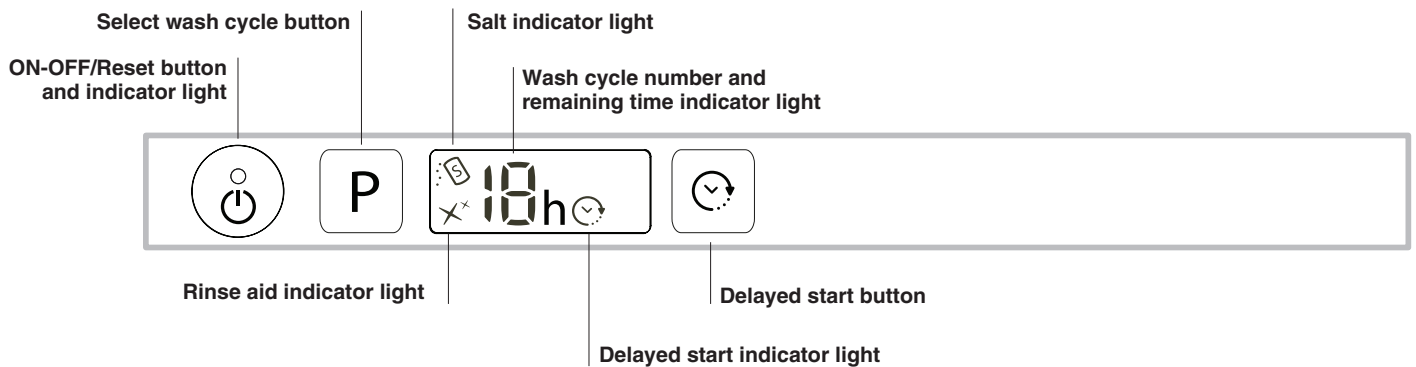
Description of the appliance

Overall view



- 1. Upper rack
- 2. Upper sprayer arm
- 3. Tip-up dispensers
- 4. Rack height adjuster
- 5. Lower rack
- 6. Lower sprayer arm
- 7. Washing filter
- 8. Salt dispenser
- 9. Detergent dispenser, rinse-aid dispenser and Active Oxygen device*
- 10. Data plate
- 11. Control panel***

Control panel



*** Only in completely built-in models.

* Only available in selected models.

The number and type of wash cycles and options may vary depending on the dishwasher model.

Loading the racks

EN

Tips

Before loading the racks, remove all food residues from the crockery and empty liquids from glasses and containers. **No preventive rinsing is needed under running water.**

Arrange the crockery so that it is held in place firmly and does not tip over; and arrange the containers with the openings facing downwards and the concave/convex parts placed obliquely, thus allowing the water to reach every surface and flow freely. Make sure that the lids, handles, trays and frying pans do not prevent the sprayer arms from rotating. Place any small items in the cutlery basket.

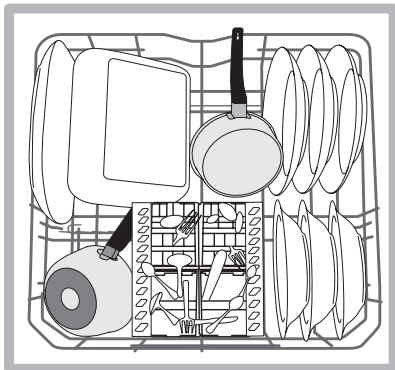
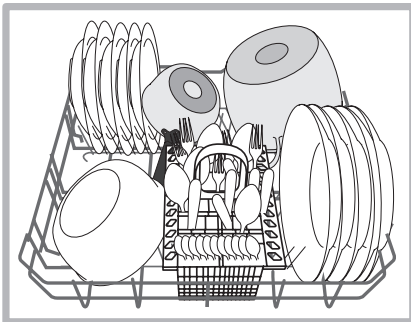
Since plastic dishes and non-stick frying pans usually retain more water drops, their drying will be not so good as that of ceramic or stainless-steel dishes.

Lightweight items such as plastic containers should be placed in the upper rack and arranged so that they cannot move.

After loading the appliance, make sure that the sprayer arms can rotate freely.

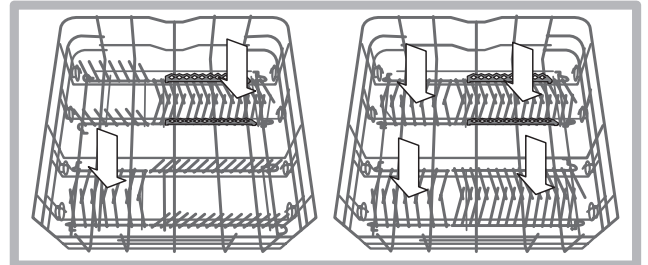
Lower rack

The lower rack can hold pans, lids, dishes, salad bowls, cutlery etc. Large plates and lids should ideally be placed at the sides.



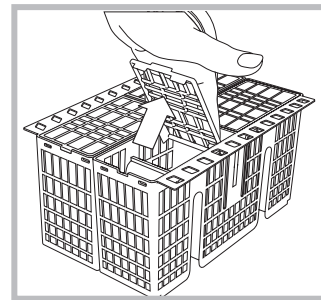
Very soiled dishes and pans should be placed in the lower rack because in this sector the water sprays are stronger and allow a higher washing performance.

Several dishwasher models are fitted with tip-up sectors*. They can be used in a vertical position when arranging dishes or in a horizontal position (lower) to load pans and salad bowls easily.



Cutlery basket

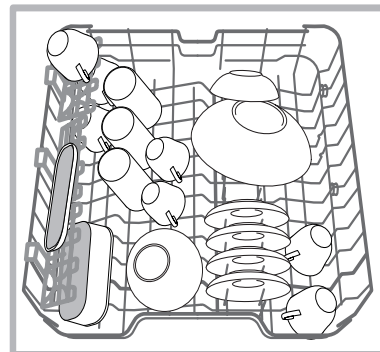
The basket is equipped with top grilles for improved cutlery arrangement. The cutlery basket should be positioned **only** at the front of the lower rack



⚠ Knives and other utensils with sharp edges must be placed in the cutlery basket with the points facing downwards or they must be positioned horizontally in the tip-up compartments on the upper rack

Upper rack

Load this rack with delicate and lightweight crockery such as glasses, cups, saucers and shallow salad bowls.



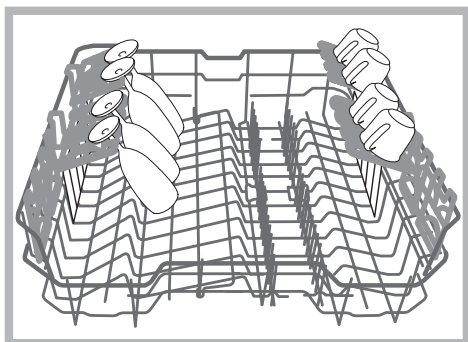
Several dishwasher models are fitted with tip-up sectors*. They can be used in a vertical position when arranging tea/ dessert saucers or in a lower position to load bowls and food containers.

*Only available in selected models with different numbers and positions.

Tip-up compartments with adjustable position

The side tip-up compartments can be positioned at three different heights to optimize the arrangement of crockery inside the rack.

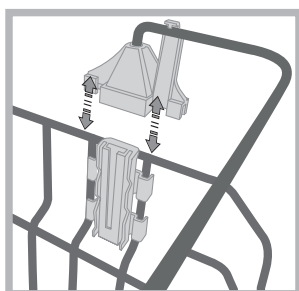
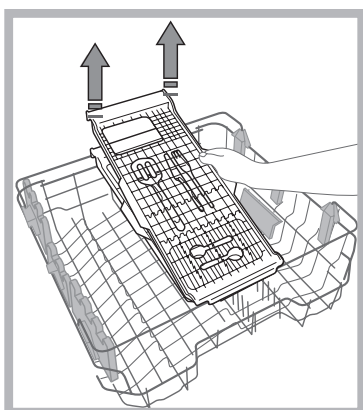
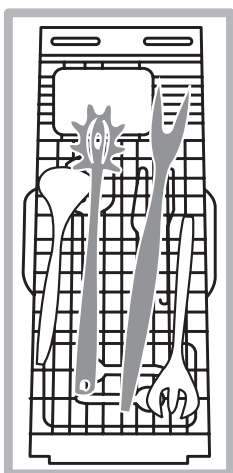
Wine glasses can be placed safely in the tip-up compartments by inserting the stem of each glass into the corresponding slots.



Cutlery tray*

Some dishwasher models are fitted with a sliding tray which can be used to hold serving utensils or small cups. For optimum washing performance, avoid positioning bulky crockery directly below the tray.

The cutlery tray can be removed (see Figure).



Before loading the tray, make sure the supports are properly coupled to the upper rack (see Figure).

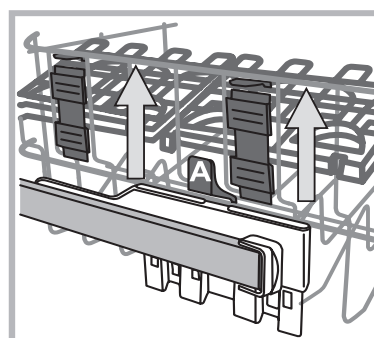
The upper rack can be adjusted for height based on requirements: high position to place bulky crockery in the lower rack and low position to make the most of the tip-up compartments/sectors by creating more space upwards.

Adjusting the height of the upper rack

In order to make it easier to arrange the crockery, the upper rack may be moved to a higher or lower position.

The height of the upper rack should be adjusted WHEN THE RACK IS EMPTY.

NEVER raise or lower the rack on one side only.



If the rack is equipped with a **Lift-Up device*** (see figure), lift it up by holding its sides. To restore the lower position, press the levers (A) at the sides of the rack and follow the rack down.

Unsuitable crockery

- Wooden crockery and cutlery.
- Delicate decorated glasses, artistic handicraft and antique crockery. Their decorations are not resistant.
- Parts in synthetic material which do not withstand high temperatures.
- Copper and tin crockery.
- Crockery soiled with ash, wax, lubricating grease or ink.

The colours of glass decorations and aluminium/silver pieces can change and fade during the washing process. Some types of glass (e.g. crystal objects) can become opaque after a number of wash cycles too.

Damage to glass and crockery

Caused by:

- Type of glass and glass production process.
- Chemical composition of detergent.
- Water temperature of rinse cycle.

Tips:

- Only use glasses and porcelain guaranteed by the manufacturer as dishwasher safe.
- Use a delicate detergent suitable for crockery.
- Collect glasses and cutlery from the dishwasher as soon as the wash cycle is over.

* Only available in selected models.

Start-up and use

EN

Starting the dishwasher

1. Turn the water tap on.
2. Open the door and press ON-OFF button.
3. Measure out the detergent. (see adjacent information).
4. Load the racks (see *Loading the racks*).
5. Select the wash cycle in accordance with the type of crockery and its soil level (see *table of wash cycles*) by pressing the **P** button.
6. Select the wash options*. (see *Special wash cycles and options*).
7. Start the wash cycle by shutting the door.
8. The end of the wash cycle is indicated by beeps and by the flashing of the wash cycle number on the display. Open the door, switch off the appliance by pressing the ON/OFF button, shut off the water tap and unplug the appliance from the electricity socket.
9. Wait for a few minutes before removing the crockery, in order to avoid burns. Unload the racks, beginning with the lower level.

⚠ - The machine will switch off automatically during certain extended periods of inactivity, in order to minimise electricity consumption.

⚠ If the crockery is only lightly soiled or if it has been rinsed with water before being placed in the dishwasher, reduce the amount of detergent used accordingly.

Modifying a wash cycle in progress

If a mistake was made during the wash cycle selection process, it is possible to change the cycle, provided that it has only just begun: open the door taking care to avoid the escaping steam, by pressing and holding the ON/OFF button, the machine will switch off. Switch the machine back on using the ON/OFF button and select the new wash cycle and any options desired; start the cycle by closing the door.

Adding extra crockery

Without switching off the machine, open the door, taking care to avoid the escaping steam, and place the crockery inside the dishwasher. Shut the door and the cycle will begin from the point at which it was interrupted.

Accidental interruptions

If the door is opened during the wash cycle, or if there is a power cut, the cycle stops. It starts again from the point at which it was interrupted once the door has been shut or the electricity supply is restored.

* Only available in selected models.

Measuring out the detergent

A good wash result also depends on the correct amount of detergent being used. Exceeding the stated amount does not result in a more effective wash and increases environmental pollution.

Based on how soiled the items are, the amount can be adjusted to individual cases using powder or liquid detergent.

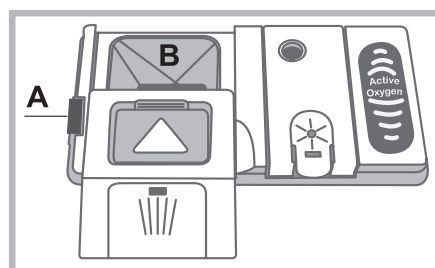
In the case of normally soiled items, use approximately either 35 gr (powder detergent) or 35 ml (liquid detergent). If tablets are used, one tablet will be enough.

If the crockery is only lightly soiled or if it has been rinsed with water before being placed in the dishwasher, reduce the amount of detergent used accordingly.

For good washing results also follow the instructions shown on the detergent box.

For further questions please ask the detergent producers' Advice Offices.

To open the detergent dispenser use the opening device "A".



Introduce the detergent into the dry dispenser "B" only. Place the amount of detergent for pre-washing directly inside the tub.

1. When measuring out the detergent refer to the Table of wash cycles to add the proper quantity. Compartment **B** comprises a level showing the maximum quantity of liquid or powder detergent that can be added to each cycle.

2. Remove detergent residues from the edges of the dispenser and close the cover until it clicks.

3. Close the lid of the detergent dispenser by pulling it up until the closing device is secured in place. The detergent dispenser automatically opens up at the right time according to the wash cycle.

If all-in-one detergents are used, we recommend using the TABS option, because it adjusts the cycle so that the best washing and drying results are always achieved.

⚠ Only use detergent which has been specifically designed for dishwashers.

DO NOT USE washing-up liquid.

Using excessive detergent may result in foam residue remaining in the machine after the cycle has ended.

The use of tablets is only recommended for models which offer the MULTI-FUNCTIONAL TABLETS option.








To achieve the best results from each washing and drying cycle, powder detergent, liquid rinse aid and salt should be used.

Wash cycles

Wash-cycle data is measured under laboratory conditions according to European Standard EN 50242.

Based on the different conditions of use, the wash-cycle duration and data can change.

⚠ The number and type of wash cycles and options may vary depending on the dishwasher model.

Wash Cycle	Drying	Options	Wash Cycle Duration	Water Consumption (l/cycle)	Energy Consumption (kWh/cycle)
1. Eco	Yes	Delayed start	03:10'	11	1,03
2. Auto Intensive 	Yes	Delayed start	02:00' - 3:10'	14 - 15,5	1,5 - 1,8
3. Auto Normal 	Yes	Delayed start	1:30' - 02:30'	14,5 - 16	1,2 - 1,35
4. Delicate 	Yes	Delayed start	01:40'	11	1,1
5. Rapid 40' 	No	Delayed start	00:40'	9,5	0,9
6. Prewash 	No	Delayed start	00:12'	4,5	0,01
7. Half Load 	Yes	Delayed start	01:20'	12,0	1,15
8. Extra 	No	Delayed start	01:00'	11	n.a.

Instructions on wash-cycle selection and detergent dosage:

1. The ECO wash cycle is the standard cycle to which the energy label data refers. It can be used to wash crockery with a normal soil level and is the most efficient cycle in terms of energy and water consumption for this type of crockery.

27 gr/ml + 6 gr/ml** – 1 Tab (**Quantity of pre-washing detergent)

2. Heavily soiled dishes and pans (not to be used for delicate items). 30 gr/ml – 1 Tab

3. Normally soiled pans and dishes. 27 gr/ml + 6 gr/ml** – 1 Tab

4. Cycle for delicate items, which are more sensitive to high temperatures 30 gr/ml – 1 Tab

5. Fast cycle to be used for slightly dirty dishes (ideal for 2 place settings) 25 gr/ml – 1 Tab

6. Pre-wash while awaiting completion of the load with the dishes from the next meal. No detergent.

7. Ideal cycle for small loads of crockery with a normal soil level. 25 gr/ml - 1 Tab

8. Large crockery. (Do not use on delicate items) 30 gr/ml – 1 Tab

Standby consumption: Left-on mode consumption: 5,0 W - Off mode consumption: 0.5 W

n.a. = non applicable

Special wash cycles and Options

EN

Notes:

Optimum performance levels when using the "Rapid 40" cycle can be achieved by respecting the specified number of place settings.

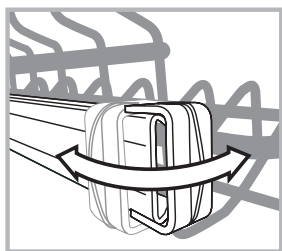
To reduce consumption, only run the dishwasher when it is full.

Note for Test Laboratories: for information on comparative EN testing conditions, please send an email to the following address: ASSISTENZA_EN_LVS@indesitcompany.com

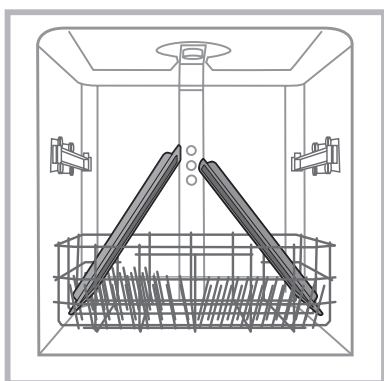
Wash cycle EXTRA

EXTRA makes it possible to carry out a heavy-duty wash cycle of large crockery up to a max height of 53cm: baking pans, oven grids, dripping pans, hob grids, large saucepans, serving dishes, pizza dishes, stainless-steel hood filters.

Remove the upper rack to load bulky crockery.



Release the two locks (right and left) and pull out the rack. When the upper rack is fitted, the locks must be always closed.



In order for the water to reach the crockery everywhere, arrange it as shown in the Figure.

The cycle can also be used on large delicate crockery using the option Extra Light (see *Wash Options*).

Do not start the dishwasher without the upper rack using wash cycles other than EXTRA.

To carry out the wash cycle Extra and Extra with the Light* option pour the detergent directly into the tub and not into the dispenser.

Wash options

If an option is not compatible with the selected wash cycle (see table of wash cycles), the corresponding LED flashes rapidly 3 times and beeps will sound.



Delayed start

The start of the wash cycle may be delayed for a period of time between **1 and 12** hours.

1. Press the DELAYED START button: the corresponding symbol appears on the display; each time you press the button, the time (1h, 2h, etc. up to max. 12h) from the start of the selected wash cycle will be increased.
2. Select the cycle and close the door: the timer will begin counting down;
3. Once this time has elapsed, the indicator light switches off and the wash cycle begins.

To adjust the delay time and select a smaller period of time, press the DELAYED START button. To cancel it, press the button repeatedly until the selected delayed start indicator light switches off. The wash cycle will start automatically as soon as the door is shut.

The Delayed Start function cannot be set once a wash cycle has been started.

* Only available in selected models.

Rinse aid and refined salt

⚠ Only use products which have been specifically designed for dishwashers.

Do not use table/industrial salt or washing-up liquid. Follow the instructions given on the packaging.

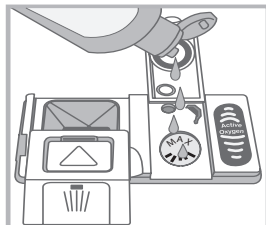
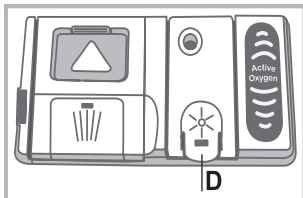
⚠ If using a multi-functional product it is not necessary to add any rinse aid. However, **we recommend that you add salt, especially if you live in an area where the water is hard or very hard.** (Follow the instructions given on the packaging).

⚠ If you do not add salt or rinse aid, the **LOW SALT*** and **LOW RINSE AID** indicator lights will stay lit.

Measuring out the rinse aid

Rinse aid makes it easier for the crockery to dry, as water runs off the surfaces more readily and therefore does not leave streaks or marks. The rinse aid dispenser should be filled:

- When the **LOW RINSE AID** indicator light* on the control panel is illuminated, a reserve supply of rinse aid is still available for 1-2 cycles;



1. Open the dispenser “**D**” by pressing and pulling up the tab on the lid;
2. Carefully introduce the rinse aid as far as the maximum reference notch of the filling space - avoid spilling it. If this happens, clean the spill immediately with a dry cloth.
3. Press the lid down until you hear a click to close it.

NEVER pour the rinse aid directly into the appliance tub.

Adjusting the amount of rinse aid

If you are not completely satisfied with the drying results, you may adjust the quantity of rinse aid used. Switch on and off the dishwasher using the ON/OFF button. Press the **P** button three times. Press the ON/OFF button, the set level appears on the display (set to factory level).

Adjust the rinse aid supply level with the **P** button.

Press the ON/OFF button to save the adjustment setting.

The rinse aid level can be set to ZERO, in such a case the rinse aid will not be supplied and the low rinse aid indicator light in case of running out.

A maximum of 4 levels can be set according to the dishwasher model.

- If there are streaks on the crockery, set to a low number (1-2).
- In case of drops of water or limescale marks, set to a high number number (3-4).

Setting the water hardness

Every dishwasher is equipped with a water softener which, by using refined salt designed especially for this type of appliance, supplies water without limescale which is then used to wash the crockery.

This dishwasher offers a setting which helps to reduce pollution and optimises washing performance in accordance with the water hardness level in your area. This information can be obtained from your local water supplier.

Switch on and off the dishwasher using the ON/OFF button. Press and hold the **P** button for a few seconds until you hear a beep. Switch on the dishwasher with the ON/OFF button, the set level appears on the display (water softener set to medium level).

Adjust the water hardness level with the **P** button, (1-2-3-4-5* see water hardness table) up to a max. of 5 levels.

Press the ON/OFF button to save the adjustment setting.

Even if using multi-functional tablets, the salt dispenser should still be filled.

Water Hardness Table				Average salt dispenser capacity duration**
level	°dH	°fH	mmol/l	months
1	0 - 6	0 - 10	0 - 1	7 months
2	6 - 11	11 - 20	1,1 - 2	5 months
3	12 - 17	21 - 30	2,1 - 3	3 months
4	17 - 34	31 - 60	3,1 - 6	2 months
5*	34 - 50	61 - 90	6,1 - 9	2/3 weeks

For values between 0°f and 10°f, we do not recommend the use of salt.
* a setting of 5 may increase cycle duration.
** 1 wash cycle per day.

(°dH = hardness measured in German degrees - °f = hardness measured in French degrees - mmol/l = millimoles per litre)

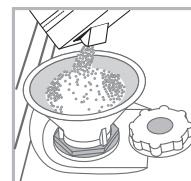
Measuring out the refined salt

In order to obtain the best possible results from a wash cycle, make sure that the salt dispenser is never empty.

Refined salt removes limescale from the water, thus avoiding the formation of deposits on crockery.

The salt dispenser is located in the lower part of the dishwasher (see Description) and should be filled:

- When the green float* cannot be seen by simply looking at the cap of the salt dispenser;
- When the **LOW RINSE AID** indicator light on the control panel is illuminated*;



1. Remove the lower rack and unscrew the cap (anticlockwise).

2. The first time you do this: fill the water tank right up to its edge.

3. Position the funnel* (see figure) and fill the salt dispenser up to the edge (approximately 1 kg). It is normal for a little water to leak out.

4. Remove the funnel* and wipe any salt residues away from the opening; rinse the cap under running water and then screw it on, the head facing downwards so as to let the water flow out of the four slots (star-shaped arrangement) in the lower part of the cap (cap with green float*).

It is advisable to perform this procedure every time you add salt to the dispenser.

Make sure the cap is screwed on tightly so that no detergent can get into the container during the wash cycle (this could damage the water softener beyond repair).

⚠ When necessary, measure out the salt before a wash cycle so that any saline solution which has leaked out of the salt dispenser is removed.

* Only available in selected models.

Care and maintenance

EN

Shutting off the water and electricity supplies

- Turn off the water tap after every wash cycle to avoid leaks.
- Always unplug the appliance when cleaning it and when performing maintenance work.

Cleaning the dishwasher

- The external surfaces of the machine and the control panel can be cleaned using a non-abrasive cloth which has been dampened with water. Do not use solvents or abrasive products.
- Any marks on the inside of the appliance may be removed using a cloth dampened with water and a little vinegar.

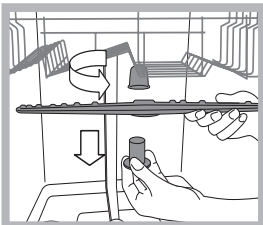
Preventing unpleasant odours

- Always keep the door of the appliance ajar in order to avoid moisture from forming and being trapped inside the machine.
- Clean the seals around the door and detergent dispensers regularly using a damp sponge. This will avoid food becoming trapped in the seals, which is the main cause behind the formation of unpleasant odours.

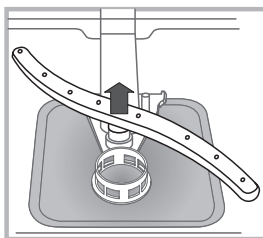
Cleaning the sprayer arms

Food residue may become encrusted onto the sprayer arms and block the holes used to spray the water. It is therefore recommended that you check the arms from time to time and clean them with a small non-metallic brush.

The two sprayer arms may both be removed.



To remove the upper sprayer arm, turn the plastic locking ring in an anti-clockwise direction. The upper sprayer arm should be replaced so that the side with the greater number of holes is facing upwards.



The lower sprayer arm can be removed by pressing on the side tabs and pulling it upwards.

Cleaning the water inlet filter*

If the water hoses are new or have not been used for an extended period of time, let the water run to make sure it is clear and free of impurities before performing the necessary connections. If this precaution is not taken, the water inlet could become blocked and damage the dishwasher.


 Clean the water inlet filter at the tap outlet regularly.

- Turn off the water tap.
- Unscrew the end of the water inlet hose, remove the filter and clean it carefully under running water.
- Re-place the filter and screw the water hose back into position.

Cleaning the filters

The filter assembly consists of three filters which remove food residues from the washing water and then recirculate the water. They should be cleaned if you wish to achieve the best results in every wash.

 Clean the filters regularly.

 The dishwasher should not be used without filters or if the filter is loose.

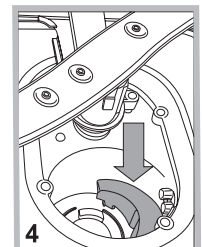
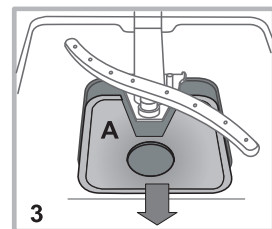
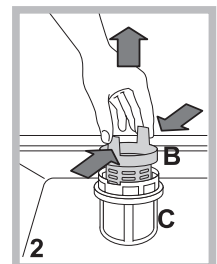
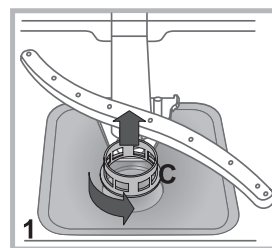
- After several washes, check the filter assembly and if necessary clean it thoroughly under running water, using a non-metallic brush and following the instructions below:

1. Turn the cylindrical filter **C** in an anti-clockwise direction and pull it out (*fig. 1*).

2. Remove the cup filter **B** by exerting a slight pressure on the side flaps (*fig. 2*);

3. Slide out the stainless-steel plate filter **A**. (*fig. 3*).

4. Inspect the trap and remove any food residues. **NEVER REMOVE** the wash-cycle pump protection (*black detail*) (*fig. 4*).



After cleaning the filters, re-place the filter assembly and fix it in position correctly; this is essential for maintaining the efficient operation of the dishwasher.

Leaving the machine unused for extended periods

- Disconnect the appliance from the electricity supply and shut off the water tap.
- Leave the door of the appliance ajar.
- When you return, run a wash cycle when the dishwasher is empty.

* Only available in selected models.

Troubleshooting

Whenever the appliance fails to work, check for a solution from the following list before calling for Assistance.

Problem:	Possible causes / Solutions:
The dishwasher does not start or cannot be controlled.	<ul style="list-style-type: none"> • Switch off the appliance by pressing the ON/OFF button, switch it back on after approximately one minute and reset the program. • The appliance has not been plugged in properly. • The dishwasher door has not been shut properly.
The door won't close.	<ul style="list-style-type: none"> • The lock was released. Strongly push the door until a "clacking" noise is heard.
No water drains out from the dishwasher.	<ul style="list-style-type: none"> • The dishwasher cycle has not yet finished. • The water inlet hose is bent (see Installation). • The drain duct is blocked. • The filter is clogged up with food residues.
The dishwasher makes excessive noise.	<ul style="list-style-type: none"> • The dishes are rattling against each other or against the sprayer arms. • Excessive foam presence: the detergent has not been measured out correctly or it is not suitable for use in dishwashers. (see Start-up and use).
The dishes and glasses are covered in a white film or limescale deposits.	<ul style="list-style-type: none"> • The level of the refined salt is low or the dosage setting is not suited to the hardness of the water (see Rinse aid and salt). • The lid on the salt dispenser is not closed properly. • The rinse aid has been used up or the dosage is too low.
The dishes and glasses are streaked or have a bluish tinge.	<ul style="list-style-type: none"> • The rinse aid dosage is too high.
The crockery has not been dried properly.	<ul style="list-style-type: none"> • A wash cycle without a drying programme has been selected. • The rinse aid has been used up or the dosage is too low (see Rinse aid and salt). • The rinse aid dispenser setting is not high enough. • The crockery is made from non-stick material or plastic.
The dishes are not clean.	<ul style="list-style-type: none"> • The racks are overloaded (see Loading the racks). • The crockery has not been arranged well. • The sprayer arms cannot move freely. • The wash cycle is too gentle (see Wash cycles). • Excessive foam presence: the detergent has not been measured out correctly or it is not suitable for use in dishwashers. (see Start-up and use). • The lid on the rinse aid compartment has not been shut correctly. • The filter is dirty or blocked (see Care and maintenance). • The refined salt level is low (see Rinse aid and salt).
The dishwasher does not take any water in - Tap shut-off alarm (beeps are heard and H appears for some minutes on the display) (the ON/OFF indicator light flashes and number 6 appears on the display).	<ul style="list-style-type: none"> • There is no water in the mains supply. • The water inlet hose is bent (see Installation). • Turn on the tap and the appliance will start after a few minutes. • The appliance lock has been activated because no action was taken when the beeps sounded. Switch off the machine using the ON/OFF button, turn on the tap and switch the machine back on after a few seconds by pressing the same button. Re-program the appliance and restart the wash cycle.

* Only available in selected models.

FR

Français, 16

DIFP 68B1

Sommaire

Fiche de produit, 17

Précautions et conseils, 18-19

Sécurité générale
Mise au rebut
Economies et respect de l'environnement
Service

Installation, 20-21

Mise en place et mise à niveau
Raccordements eau et électricité
Conseils pour le premier lavage
Caractéristiques techniques
Transport

Description de l'appareil, 22

Vue d'ensemble
Tableau de bord

Charger les paniers, 23-24

Panier inférieur
Panier à couverts
Panier supérieur
Clayettes rabattables
Régler la hauteur du panier supérieur
Vaisselle non appropriée

Mise en marche et utilisation, 25

Mettre en marche le lave-vaisselle
Charger le produit de lavage

Programmes, 26

Tableau des programmes

Programmes spéciaux et Options, 27

Produit de rinçage et sel régénérant, 28

Charger le produit de rinçage
Charger le sel régénérant

Entretien et soin, 29

Coupure de l'arrivée d'eau et de courant
Nettoyer le lave-vaisselle
Eviter les mauvaises odeurs
Nettoyer les bras de lavage
Nettoyage du filtre d'entrée d'eau
Nettoyer les filtres
En cas d'absence pendant de longues périodes


Anomalies et remèdes, 30

Fiche de produit

Fiche de produit	
Marque	INDESIT
Modèle	DIFP 68B1
Capacité nominale dans un environnement standard (1)	13
Classe énergétique sur une échelle de A+++ (faible consommation) à D (consommation élevée)	A+
Consommation d'énergie par année en kWh (2)	293.0
Consommation d'énergie du cycle de lavage standard en kWh	1.03
Consommation d'énergie en mode "off" en W	0.5
Consommation d'énergie en mode "on" en W	5.0
Consommation d'eau par an en litres (3)	3080.0
Classe d'efficacité du séchage sur une échelle de G (efficacité minimum) à A (efficacité maximum)	A
Durée du programme pour un cycle de lavage standard en minutes	190
Durée du mode "on" en minutes	10
Émissions acoustiques dans l'air, exprimées en dB(A) re 1 pW	46
Encastrable	Oui
Remarque	
1) Les informations sur l'étiquette et sur la fiche se rapportent au cycle de lavage standard. Ce programme convient pour laver une vaisselle normalement sale, et il s'agit des programmes les plus efficaces en termes de consommation combinée d'eau et d'énergie. Le cycle de lavage standard correspond au cycle éco.	
2) Sur la base de 280 cycles de lavage standard avec une alimentation en eau froide et une consommation en modes à faible puissance. La consommation réelle d'énergie dépend des conditions d'utilisation de l'appareil.	
3) Sur la base de 280 cycles de lavage standard. La consommation réelle d'énergie dépend des conditions d'utilisation de l'appareil.	

Précautions et conseils

FR

 Cet appareil a été conçu et fabriqué conformément aux normes internationales de sécurité. Ces consignes sont fournies pour des raisons de sécurité, il faut les lire attentivement.

Conserver ce mode d'emploi pour pouvoir le consulter à tout moment. En cas de vente, de cession ou de déménagement, s'assurer qu'il accompagne bien l'appareil.

Lire attentivement les instructions : elles fournissent des conseils importants sur l'installation, l'utilisation et la sécurité de l'appareil.

Cet appareil est conçu pour un usage domestique ou autres applications similaires, telles que :

- lieux aménagés en espace cuisine pour le personnel de magasins, bureaux et autres lieux de travail ;
- fermes ;
- utilisation par les clients d'hôtels, de motels ou autres locaux de type résidentiel ;
- chambres d'hôtes.

Sécurité générale

- Cet électroménager n'est pas destiné à être utilisé par des personnes (enfants compris) dont les capacités physiques, sensorielles ou mentales sont réduites ou qui ne disposent pas des connaissances ou de l'expérience nécessaires, à moins qu'elles n'aient été formées et encadrées pour l'utilisation de cet appareil par une personne responsable de leur sécurité.
- Les enfants doivent être surveillés par un adulte pour éviter qu'ils ne jouent avec l'appareil.
- Cet appareil est conçu pour un usage de type non professionnel à l'intérieur d'une habitation.
- Cet appareil est destiné au lavage de vaisselle à usage domestique, il ne doit être utilisé que par des adultes et selon les instructions reportées dans cette notice.
- Ne pas installer l'appareil à l'extérieur, même dans un endroit protégé, car il est extrêmement dangereux de l'exposer à la pluie et aux orages.
- Ne pas toucher au lave-vaisselle pieds nus.
- Ne jamais tirer sur le câble pour débrancher la fiche de la prise de courant.
- Fermer le robinet de l'eau et débrancher la fiche de la prise de courant avant d'effectuer tous travaux de nettoyage et d'entretien.
- En cas de panne, éviter à tout prix d'accéder aux mécanismes internes pour tenter une réparation.
- Ne pas s'appuyer à la porte ouverte ou s'y asseoir : l'appareil pourrait basculer.
- Ne pas garder la porte ouverte pour éviter de buter contre elle en risquant de se faire mal.

- Garder les produits de lavage et de rinçage hors de la portée des enfants.
- Les emballages ne sont pas des jouets pour enfants.

Mise au rebut

- Mise au rebut du matériel d'emballage : se conformer aux réglementations locales de manière à ce que les emballages puissent être recyclés.
- La directive européenne 2012/19/EU sur les déchets d'équipements électriques et électroniques (DEEE), prévoit que les électroménagers ne peuvent pas être traités comme des déchets solides urbains normaux. Les appareils usagés doivent être collectés séparément afin d'optimiser le taux de récupération et le recyclage des matériaux qui les composent et réduire l'impact sur la santé humaine et l'environnement. Le symbole de la poubelle barrée est appliqué sur tous les produits pour rappeler qu'ils font l'objet d'une collecte sélective. Pour tout autre renseignement sur la collecte des électroménagers usés, prière de s'adresser au service public préposé ou au vendeur.

Economies et respect de l'environnement

Faire des économies d'eau et d'électricité

- Ne faire fonctionner le lave-vaisselle que quand il est rempli au maximum de sa capacité. Dans l'attente de remplir l'appareil, lancer le cycle de Trempage pour éviter la formation de mauvaises odeurs (*voir Programmes*).
- Sélectionner un programme adapté au type de vaisselle et à son degré de salissure, consulter pour cela le Tableau des programmes :
 - pour de la vaisselle normalement sale, choisir le programme Eco (économique), il limite la quantité d'eau et d'électricité utilisée.
 - pour une quantité réduite de vaisselle, choisir l'option Demi-charge* (*voir Mise en marche et utilisation*).
- Si le contrat de fourniture d'électricité prévoit des tranches horaires à prix réduit, effectuer les lavages pendant ces heures creuses. L'option Départ différé* (*voir Mise en marche et utilisation*) peut vous aider à organiser vos lavages dans ce sens.

* Présent uniquement sur certains modèles.

Produits de lavage sans phosphates, sans chlore et aux enzymes

- Il est vivement conseillé d'utiliser des produits de lavage sans phosphates et sans chlore, plus indiqués pour la protection de l'environnement.
- Les enzymes développent une action particulièrement efficace à des températures avoisinant 50°C, les produits de lavage aux enzymes permettent donc de sélectionner des lavages à de basses températures et d'obtenir les mêmes résultats qu'à une température de 65°C.
- Pour bien doser le produit de lavage, il faut tenir compte des indications du fabricant, de la dureté de l'eau, de la quantité de vaisselle et de son degré de salissure pour éviter tout gaspillage. Bien que biodégradables, les produits de lavage contiennent des éléments qui altèrent l'équilibre de la nature.

Service

Avant d'appeler le service d'assistance technique:

- Vérifier s'il est possible de résoudre l'anomalie soi-même (*voir Anomalies et remèdes*).
- Faire repartir le programme pour s'assurer que l'inconvénient a été résolu.
- Si ce n'est pas le cas, contacter un Service d'Assistance Technique agréé.

 **Ne jamais faire appel à des techniciens non agréés.**

Communiquer:

- le type d'anomalie;
- le modèle de l'appareil (Mod.);
- le numéro de série (S/N).

Ces informations figurent sur la plaque signalétique apposée sur l'appareil (*voir Description de l'appareil*).

Installation

FR

⚠ En cas de déménagement, transporter l'appareil verticalement; si besoin est, l'incliner sur le dos.

Mise en place et mise à niveau

1. Déballez l'appareil et s'assurer qu'il n'a pas été endommagé pendant le transport. S'il est abîmé, ne pas le raccorder et contacter le revendeur.

2. Installer le lave-vaisselle de manière à ce que les côtés et la paroi arrière touchent aux meubles adjacents ou au mur. L'appareil peut être encastré sous un plan de travail continu* (voir feuille de montage).

3. Installer le lave-vaisselle sur un sol plat et rigide. Compenser les irrégularités en vissant ou en dévissant les pieds avant jusqu'à ce que l'horizontalité de l'appareil soit parfaite. Une bonne horizontalité garantit la stabilité de l'appareil et supprime tout risque de vibrations, bruits et déplacements.

4*. Pour régler la hauteur du pied arrière, agir sur la douille rouge à six pans située dans la partie avant du lave-vaisselle, en bas et au milieu, à l'aide d'une clé mâle à six pans, ouverture 8 mm. Tourner dans le sens des aiguilles d'une montre pour augmenter la hauteur et dans le sens inverse pour la diminuer. (voir feuille d'instructions jointe à la documentation)

Raccordements eau et électricité

⚠ L'adaptation des installations électriques et les travaux de plomberie de l'installation doivent être effectués par du personnel qualifié.

⚠ Le lave-vaisselle ne doit pas écraser les tuyaux ou le câble d'alimentation électrique.

⚠ Utiliser des tuyaux neufs pour effectuer le raccordement de l'appareil au réseau de distribution de l'eau. Ne pas réutiliser les anciens tuyaux.

Les tuyaux d'amenée et d'évacuation de l'eau et le câble d'alimentation électrique peuvent être orientés vers la droite ou vers la gauche pour simplifier l'installation.

Raccord du tuyau d'amenée de l'eau

- A une prise d'eau froide : bien visser le tuyau d'amenée à un robinet à embout fileté 3/4 gaz ; avant de visser, faire couler l'eau jusqu'à ce qu'elle devienne limpide et dépourvue d'impuretés qui pourraient engorger l'appareil.
- A une prise d'eau chaude : en cas d'installation de chauffage centralisé (radiateurs), le lave-vaisselle peut être alimenté avec de l'eau chaude de réseau ne dépassant pas 60°C.

Visser le tuyau au robinet en procédant comme pour la prise d'eau froide.

⚠ Si la longueur du tuyau d'amenée ne suffit pas, s'adresser à un magasin spécialisé ou à un technicien agréé (voir Assistance).

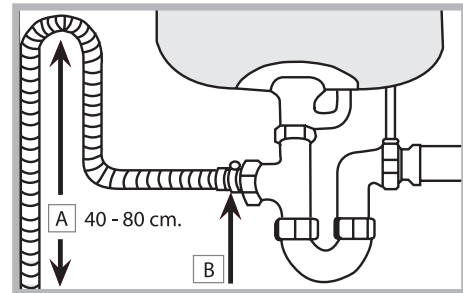
⚠ La pression de l'eau doit être comprise entre les valeurs reportées dans le tableau des Caractéristiques techniques (voir ci-contre).

Attention à ce que le tuyau ne soit pas plié ou écrasé.

Raccordement du tuyau d'évacuation de l'eau

Raccorder le tuyau d'évacuation, sans le plier, à une conduite d'évacuation ayant au moins 4 cm de diamètre.

Le tuyau d'évacuation doit être placé entre 40 et 80 cm au-dessus du sol ou du plan d'appui du lave-vaisselle (A).



Avant de raccorder le tuyau d'évacuation de l'eau au siphon de l'évier, retirer le bouchon en plastique (B).

Sécurité anti-fuite

Pour éviter tout risque d'inondation, le lave-vaisselle :

- est équipé d'un dispositif qui coupe l'arrivée de l'eau en cas d'anomalie ou de fuite à l'intérieur de l'appareil.

Quelques modèles sont équipés d'un dispositif de sécurité supplémentaire **New Acqua Stop***, qui garantit contre tout risque d'inondation même en cas de rupture du tuyau d'amenée de l'eau.



ATTENTION : TENSION DANGEREUSE !

Il ne faut en aucun cas couper le tuyau d'amenée de l'eau car il contient des parties sous tension.

Raccordement électrique

Avant de brancher la fiche dans la prise de courant, s'assurer que :

- la prise est bien reliée à la terre et est conforme aux réglementations en vigueur ;
- la prise est bien apte à supporter la puissance maximale de la machine reportée sur la plaquette signalétique fixée à la contre-porte (voir chapitre Description du lave-vaisselle) ;
- la tension d'alimentation est bien comprise entre les valeurs figurant sur la plaque signalétique de la contre-porte ;
- la prise est bien compatible avec la fiche de l'appareil. Autrement, faire remplacer la fiche par un technicien agréé (voir Assistance) ; n'utiliser ni rallonges ni prises multiples.

⚠ Après installation de l'appareil, le câble d'alimentation électrique et la prise de courant doivent être facilement accessibles.

⚠ Le câble ne doit être ni plié ni trop écrasé.

⚠ Afin d'éviter tout danger, faire changer le cordon d'alimentation abîmé, par le fabricant ou par son service après-vente. (Voir Assistance)

* Présent uniquement sur certains modèles.


Ruban anti-condensation*

Après avoir encastré le lave-vaisselle, ouvrir la porte et coller le ruban adhésif transparent sous le plan en bois pour le protéger contre la formation de condensation.

Conseils pour le premier lavage

Après l'installation, enlever les chevilles placées sur les paniers et les élastiques de blocage sur le panier supérieur (le cas échéant).



Juste avant le premier lavage, remplir complètement d'eau le réservoir à sel et ajouter environ 1 kg de sel (voir Produit de rinçage et sel régénérant) : il est tout à fait normal que de l'eau déborde. Sélectionner le degré de dureté de l'eau (voir Produit de rinçage et sel régénérant). - Après remplissage du réservoir à sel, le voyant SEL* s'éteint.

 Le manque de remplissage du réservoir à sel, peut endommager l'adoucisseur d'eau et l'élément chauffant.

Cet électroménager dispose de signaux sonores/bips (selon le modèle de lave-vaisselle) qui signalent que la commande a été activée: allumage, fin de cycle etc..

Tous les symboles/voyants/led lumineux du bandeau de commande/afficheur peuvent avoir des couleurs différentes, flasher ou être en fixe. (selon le modèle de lave-vaisselle).

Affichage d'informations utiles concernant le type de cycle sélectionné, la phase de lavage/séchage, le temps résiduel, la température etc.... etc...

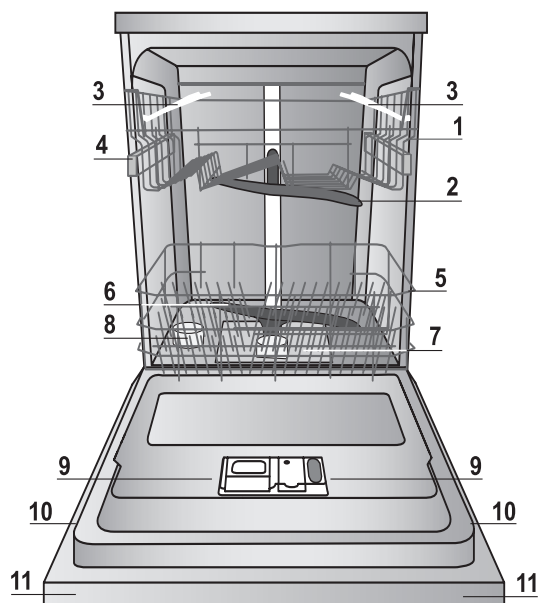
Caractéristiques techniques	
Dimensions	largeur 59,5 cm hauteur 82 cm profondeur 57 cm
Capacité	13 couverts standard
Pression eau d'alimentation	0,05 ÷ 1 MPa (0,5 ÷ 10 bar) 7,25 – 145 psi
Tension d'alimentation	Voir étiquette des caractéristiques
Puissance totale absorbée	Voir étiquette des caractéristiques
Fusible	Voir étiquette des caractéristiques
	Cet appareil est conforme aux Directives Communautaires suivantes: - 2006/95/EC (Basse Tension) - 2004/108/EC (Compatibilité Electromagnétique) - 2009/125/EC (Comm. Reg. 1016/2010) (Ecodesign) - 97/17/EC (Étiquetage) - 2012/19/EU (DEEE)
	

* Présent uniquement sur certains modèles.

Description de l'appareil

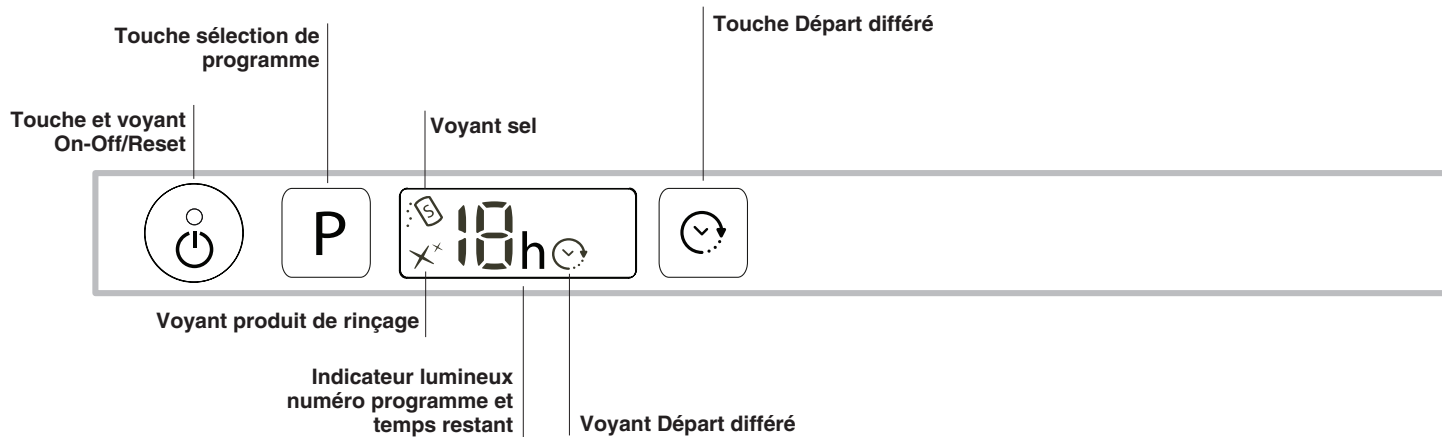
FR

Vue d'ensemble



1. Panier supérieur
2. Bras de lavage supérieur
3. Clayettes rabattables
4. Réglage hauteur du panier
5. Panier inférieur
6. Bras de lavage inférieur
7. Filtre lavage
8. Réservoir à sel
9. Bacs à produit de lavage, réservoir à produit de rinçage et dispositif Oxygène Actif*
10. Plaque signalétique
11. Bandeau de commandes***

Tableau de bord



*** Uniquement pour modèles « tout intégrable » * Présent uniquement sur certains modèles.

Le nombre et les types de programmes varient selon le modèle de lave-vaisselle.

Charger les paniers

Conseils

Avant de charger les paniers, débarrasser la vaisselle des déchets plus importants et vider les verres et autres récipients.

Pas besoin de rincer préalablement à l'eau courante.

Ranger la vaisselle de manière à ce qu'elle ne bouge pas pour éviter tout risque de renversement, ranger les saladiers et les casseroles ouverture tournée vers le bas et les parties concaves ou convexes en position oblique pour permettre à l'eau d'atteindre toutes les surfaces et de s'écouler complètement.

Veiller à ce que les couvercles, manches, poêles et plateaux ne gênent pas la rotation des bras de lavage. Placer les petits objets dans le panier à couverts.

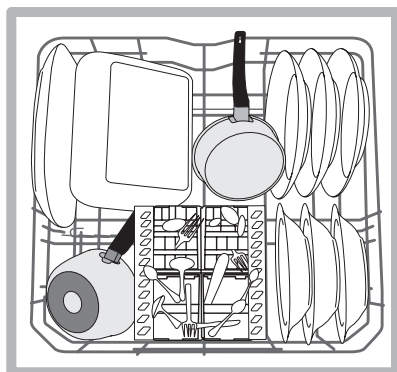
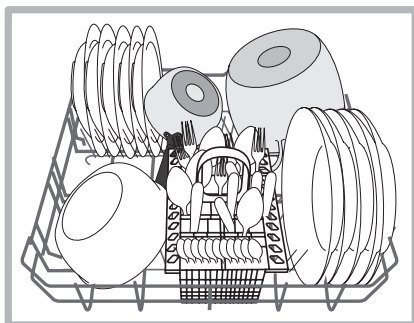
La vaisselle en plastique et les poêles anti-adhésives ont tendance à retenir les gouttes d'eau et leur degré de séchage sera par conséquent inférieur à celui de la vaisselle en céramique ou en acier.

Les objets légers (tels que les récipients en plastique) doivent être rangés, de préférence, dans le panier supérieur et placés de manière à ce qu'ils ne risquent pas de se déplacer.

Après avoir chargé le lave-vaisselle, s'assurer que les bras de lavage tournent librement.

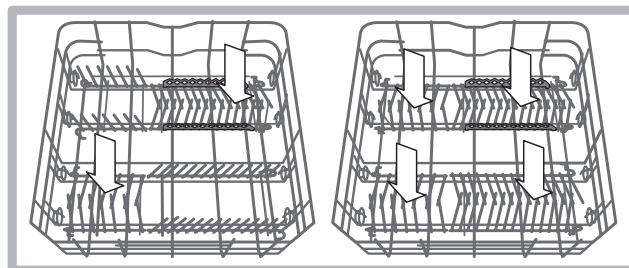
Panier inférieur

Le panier inférieur peut contenir des casseroles, des couvercles, des assiettes, des saladiers, des couverts etc. Les assiettes et les couvercles de grandes dimensions doivent être rangés, de préférence, sur les côtés du panier.



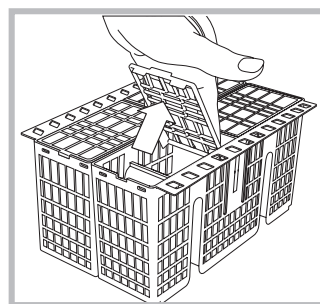
Il est conseillé de ranger la vaisselle très sale dans le panier inférieur car dans cette partie du lave-vaisselle, les jets d'eau sont plus énergiques et permettent d'obtenir de meilleures performances de lavage.


Certains modèles de lave-vaisselle sont pourvus de secteurs rabattables*, qui peuvent être utilisés en position verticale pour accueillir les assiettes ou en position horizontale (abaissés) pour pouvoir charger plus facilement les casseroles et les saladiers.



Panier à couverts

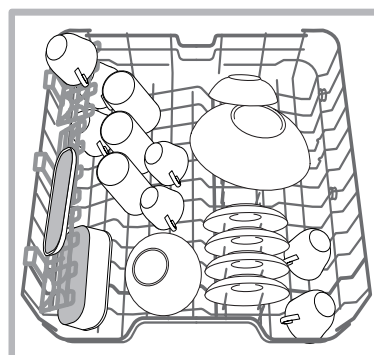
Le panier à couverts est équipé de grilles supérieures permettant de mieux ranger les couverts. Le panier à couverts non séparable doit être placé **obligatoirement** dans la partie avant du panier inférieur.



 Ranger les couteaux et les ustensiles de cuisine pointus et coupants dans le panier à couverts, pointes tournées vers le bas, ou, à plat, sur les clayettes rabattables du panier supérieur.

Panier supérieur

Réservé au chargement de la vaisselle fragile et légère : verres, tasses, soucoupes, saladiers bas.



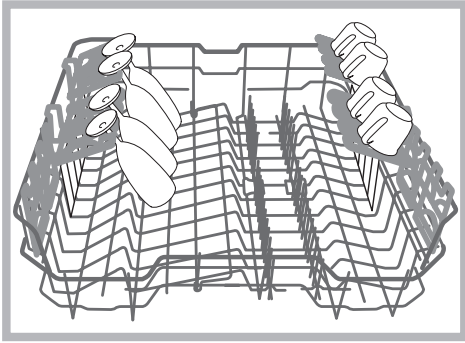
Certains modèles de lave-vaisselle sont pourvus de secteurs rabattables*, qui peuvent être placés à la verticale pour ranger des assiettes à thé ou à dessert ou abaissés pour ranger des coupes et autres récipients pour aliments.

*Présents uniquement sur certains modèles, ils peuvent varier au point de vue nombre et emplacement.

Clayettes rabattables à inclinaison variable

Les clayettes latérales peuvent être placées à trois hauteurs différentes afin d'optimiser la disposition de la vaisselle dans le panier.

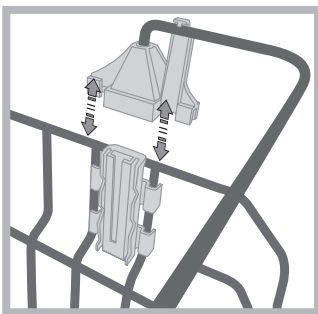
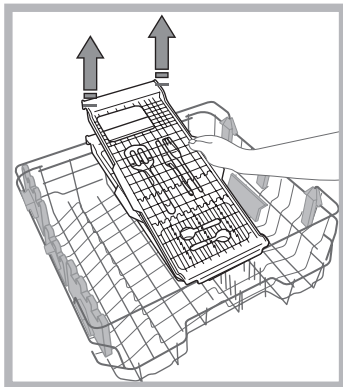
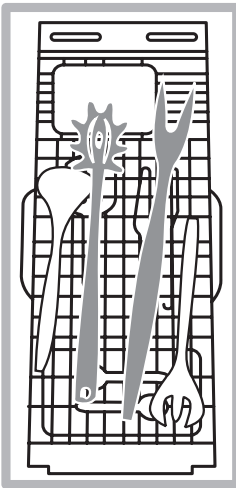
Les verres à pied peuvent être placés en position stable sur les clayettes rabattables en insérant la tige de leurs pieds dans les fentes prévues à cet effet.



Plateau range-couverts*

Certains modèles de lave-vaisselle sont équipés d'un plateau coulissant qui peut être utilisé pour laver les couverts ou les petites tasses. Éviter de charger sous le plateau de la vaisselle encombrante pour bénéficier de meilleures performances de lavage.

Le plateau à couverts est amovible. (voir figure).



Avant de charger le plateau, assurez-vous que les supports sont solidement accrochés au panier supérieur. (voir figure).

* Présent uniquement sur certains modèles.

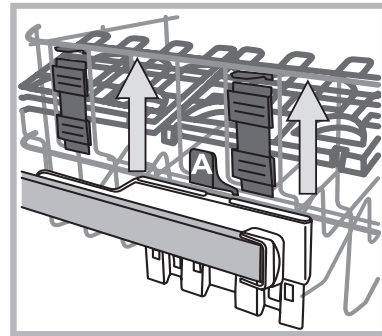
Le panier supérieur est réglable en hauteur selon les besoins : en position haute, il permet de ranger de la vaisselle encombrante dans le panier inférieur ; en position basse, il permet d'exploiter au mieux l'espace des clayettes et des secteurs rabattables en créant plus de place de rangement vers le haut.

Régler la hauteur du panier supérieur

Pour faciliter le rangement de la vaisselle, il est possible de régler le panier supérieur en position haute ou basse.

Régler de préférence la hauteur du panier quand ce dernier est VIDE.

Ne JAMAIS soulever ou abaisser le panier d'un seul côté.



Si le panier est équipé de **Lift-Up*** (voir figure), soulever le panier en le saisissant par les côtés et le déplacer vers le haut. Pour revenir à la position basse, appuyer sur les leviers (A) sur les côtés du panier et l'aider à descendre vers le bas.

Vaisselle non appropriée

- Couverts et vaisselle en bois.
- Verres décorés et fragiles, vaisselle artisanale artistique ou ancienne. Leurs décors ne sont pas résistants.
- Parties en matière synthétique ne résistant pas à la température.
- Vaisselle en cuivre ou en étain.
- Vaisselle sale de cendre, cire, graisse lubrifiante ou encre.

Les décors sur verre, les pièces en aluminium ou argent risquent de changer de couleur et de blanchir en cours de lavage. Certains types de verre (les objets en cristal par exemple) deviennent opaques après de nombreux lavages.

Endommagement du verre et de la vaisselle

Causes :

- Type de verre et procédé de fabrication du verre.
- Composition chimique du produit de lavage.
- Température de l'eau du programme de rinçage.


Conseils :


- N'utiliser que des verres et de la porcelaine garantis par le fabricant comme résistants au lavage en lave-vaisselle.
- Utiliser un produit de lavage délicat pour vaisselle.
- Sortir les verres et les couverts du lave-vaisselle le plus rapidement possible après la fin du programme.

Mettre en marche le lave-vaisselle

1. Ouvrir l'arrivée d'eau.
2. Ouvrir la porte et appuyer sur la touche ON-OFF : les voyants ON/OFF, options et l'afficheur s'allument.
3. Doser le produit de lavage. (voir ci-contre).
4. Charger les paniers (voir *Charger les paniers*).
5. Sélectionner le programme selon le type de vaisselle et son degré de salissure (voir *tableau des programmes*) appuyer sur la touche P.
6. Sélectionner les options de lavage*. (voir *Progr. spéciaux et Options*).
7. Fermer la porte pour faire démarrer le programme.
8. La fin du programme est signalée par des signaux acoustiques et le numéro du programme clignote sur l'afficheur. Ouvrir la porte, appuyer sur la touche ON/OFF pour éteindre l'appareil, fermer le robinet de l'eau et débrancher la fiche de la prise de courant.
9. Attendre quelques minutes avant de sortir la vaisselle pour éviter de se brûler. Décharger les paniers en commençant par celui du bas.

 - Pour réduire sa consommation d'énergie, la machine s'éteint automatiquement dans certaines conditions de non-utilisation prolongée.

 **PROGRAMMES AUTO*** : certains modèles de lave-vaisselle sont équipés d'un capteur spécial qui peut évaluer le degré de salissure et sélectionner le lavage le plus efficace et le plus économique. La durée des programmes Auto peut varier du fait de l'intervention du capteur.

 En cas de vaisselle peu sale ou précédemment rincée à l'eau, réduire considérablement la quantité de produit de lavage.

Modifier un programme en cours

En cas d'erreur de sélection d'un programme, il est possible de le modifier, à condition qu'il vienne tout juste de démarrer : ouvrir la porte en faisant attention à la vapeur chaude qui s'échappe, appuyer de façon prolongée sur la touche ON/OFF, l'appareil s'éteint. Rallumer l'appareil à l'aide de la touche ON/OFF et sélectionner le nouveau programme ainsi que les options éventuelles, fermer la porte pour faire démarrer.

Introduire de la vaisselle en cours de lavage

Sans éteindre l'appareil, ouvrir la porte en faisant attention à la vapeur chaude qui s'échappe et introduire la vaisselle. Fermer la porte : le cycle redémarre.

Interruptions accidentelles

En cas d'ouverture de la porte en cours de lavage ou de coupure de courant, le programme s'arrête. Il redémarre du point où il a été interrompu dès que le courant revient ou que la porte est refermée.

* Présent uniquement sur certains modèles.

Charger le produit de lavage

Un bon résultat de lavage dépend aussi d'un bon dosage du produit de lavage. Un excès de produit de lavage ne lave pas mieux et pollue l'environnement.

Selon le degré de salissure, le dosage peut être adapté au cas par cas en utilisant un produit de lavage en poudre ou liquide.

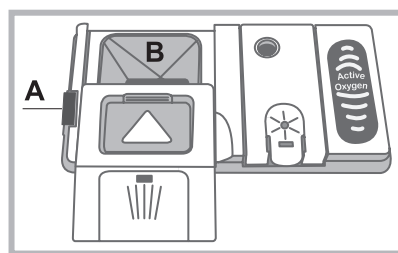
En cas de vaisselle normalement sale, utiliser environ 35 g (produit de lavage en poudre) ou 35ml (produit liquide). En cas d'utilisation de tablettes, une seule suffit.

En cas de vaisselle peu sale ou précédemment rincée à l'eau, réduire considérablement la quantité de produit de lavage.

Pour un bon résultat de lavage, suivre également les instructions reportées sur l'emballage.

Pour toute autre demande de renseignements, s'adresser aux services d'aide aux consommateurs des fabricants de produits de lavage.

Pour ouvrir le distributeur de produit de lavage, actionner le dispositif d'ouverture « A »



Introduire le produit de lavage dans le bac « B » bien sec. La quantité de produit de lavage consacrée au pré-lavage doit être placée directement dans la cuve.

1. Doser le produit de lavage en consultant le Tableau des programmes pour introduire une quantité appropriée. Dans le bac B, un indicateur de niveau indique quelle est la quantité maximale de produit de lavage, liquide ou en poudre, pouvant être utilisée pour chaque cycle.

2. Eliminer les résidus de produit de lavage sur les bords du bac et fermer le couvercle jusqu'au dé clic.

3. Fermer le couvercle du distributeur de produit de lavage en le poussant vers le haut jusqu'à enclenchement du dispositif de fermeture.

Le distributeur à produits de lavage s'ouvre automatiquement selon le programme, au moment voulu.

En cas d'utilisation de produits de lavage tout en un, utiliser l'option TABLETTES qui adapte le programme de lavage de manière à toujours obtenir les meilleurs résultats de lavage et de séchage possibles.

 N'utiliser que du produit de lavage spécial lave-vaisselle.

NE PAS UTILISER de produits pour laver la vaisselle à la main.

Une utilisation excessive de produit de lavage peut laisser des résidus de mousse en fin de cycle.

L'utilisation de tablettes de lavage n'est conseillée que pour les modèles qui prévoient l'option TABLETTES MULTIFONCTIONS.








Pour obtenir des performances de lavage et de séchage optimales, utiliser des produits de lavage en poudre, du liquide de rinçage et du sel.

Programmes

FR

Les données des programmes sont mesurées dans des conditions de laboratoire selon la norme européenne EN 50242. **Selon les différentes conditions d'utilisation, la durée et les données des programmes peuvent être différentes.**

 **Le nombre ainsi que les types de programmes et d'options varient selon le modèle de lave-vaisselle.**

Programme	Séchage	Options	Durée du programme	Consommation d'eau (litre/cycle)	Consommation d'énergie (KWh/cycle)
1. Eco	Oui	Départ différé	03:10'	11	1,03
2. Auto Intensif 	Oui	Départ différé	02:00' - 3:10'	14 - 15,5	1,5 - 1,8
3. Auto Normal 	Oui	Départ différé	1:30' - 02:30'	14,5 - 16	1,2 - 1,35
4. Délicats 	Oui	Départ différé	01:40'	11	1,1
5. Rapide 40' 	Non	Départ différé	00:40'	9,5	0,9
6. Trempage 	Non	Départ différé	00:12'	4,5	0,01
7. Demi Charge 	Oui	Départ différé	01:20'	12,0	1,15
8. Extra 	Non	Départ différé	01:00'	11	n.a.

Indications sur le choix des programmes et dosage du produit de lavage

1. Le cycle de lavage ECO est le programme standard auquel se réfèrent les données de l'étiquette-énergie. Ce cycle est prévu pour le lavage de la vaisselle normalement sale et est le programme le plus efficace en termes de consommation d'énergie et d'eau pour ce type de vaisselle. 27 gr/ml + 6 gr/ml** – 1 tablette (**Quantité de produit du pré-lavage).
2. Vaisselle et casseroles très sales (déconseillé pour la vaisselle fragile) 30 gr/ml – 1 tablette.
3. Vaisselle et casseroles normalement sales. 27 gr/ml + 6 gr/ml** – 1 tablette.
4. Cycle pour vaisselle fragile ne supportant pas les hautes températures. 30 gr/ml – 1 tablette.
5. Cycle rapide conseillé en cas de vaisselle peu sale (idéal pour 2 couverts) 25 gr/ml – 1 tablette.
6. Lavage préalable dans l'attente de compléter le chargement au repas suivant. Pas de produit de lavage.
7. Cycle idéal pour le lavage d'une charge réduite de vaisselle normalement sale. 25 gr/ml – 1 tablette
8. Vaisselle de grande taille. (Ne pas utiliser pour la vaisselle fragile) 30 gr/ml – 1 Tab

Consommations en stand-by : Consommation en left-on mode : 5 W - Consommation en off-mode : 0,5 W.

n.a. = non applicable

Programmes spéciaux et Options

Remarque :

pour obtenir des performances optimales avec les programmes « Sixty* et Rapide 40' » il est conseillé de respecter le nombre de couverts indiqué.

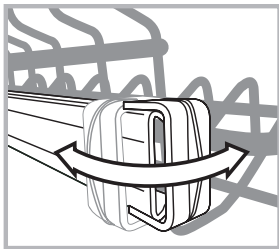
Pour consommer moins, utiliser le lave-vaisselle pleine charge.

Note pour les laboratoires d'essai : pour toutes informations sur les conditions d'essai comparatif EN, s'adresser à : ASSISTENZA_EN_LVS@indesitcompany.com

Programme EXTRA

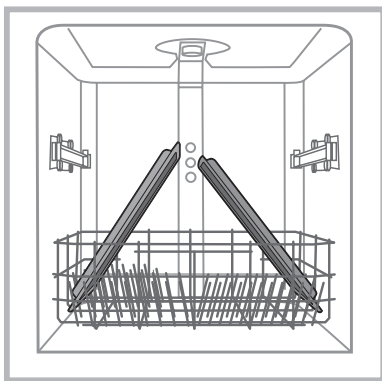
Le programme EXTRA permet d'effectuer le lavage intensif de la vaisselle de grande taille, jusqu'à une hauteur maximale de 53 cm : plaques et grilles de four, lèchefrites, grilles pour table de cuisson, casseroles de grande taille, plats et plats à pizza, filtres pour hottes en acier inox.

Pour charger la vaisselle de grande taille, il faut sortir le panier supérieur.



Ouvrir les butées installées à droite et à gauche et sortir le panier.

Lorsque le panier supérieur a été inséré, les butées doivent être toujours fermées.



Ranger la vaisselle comme illustré dans la figure pour que le jet d'eau puisse atteindre toutes les parties qui sont à laver.

Le cycle peut être utilisé également pour la vaisselle fragile de grande taille en activant l'option Extra Light (voir Options de lavage).

Ne pas mettre en fonction le lave-vaisselle sans le panier supérieur et avec des cycles de lavage différents de l'EXTRA.

Pour effectuer le Cycle Extra et Extra avec l'option Light*, ne pas mettre le détergent dans le distributeur, mais directement dans la cuve.

Options de lavage*

Si une option n'est pas compatible avec le programme sélectionné, (voir tableau programmes) la led correspondante clignote 3 fois de suite et des bips retentissent.



Départ différé

Possibilité de différer le départ du programme de **1 à 12 heures** :

1. Appuyer sur la touche DÉPART DIFFÉRÉ : l'écran affiche le symbole correspondant ; toute pression successive fait augmenter le délai (1h, 2h, etc. jusqu'à 12h maximum) de démarrage du programme sélectionné.

2. Sélectionner le programme et fermer la porte : le compte à rebours commence ;

3. A l'expiration du délai d'attente, le voyant s'éteint et le programme démarre.

Pour modifier le délai d'attente et sélectionner un temps inférieur appuyer sur la touche DEPART DIFFÉRÉ. Pour l'annuler, appuyer plusieurs fois de suite sur la touche jusqu'à ce que le voyant du délai d'attente sélectionné s'éteigne. Le programme démarre dès fermeture de la porte.

* Présent uniquement sur certains modèles.

Produit de rinçage et sel régénérant

FR

⚠ N'utiliser que des produits de lavage spéciaux lave-vaisselle.

Ne pas utiliser de sel alimentaire ou industriel ni de produits vaisselle pour lavage à la main.

Se conformer aux instructions reportées sur l'emballage.

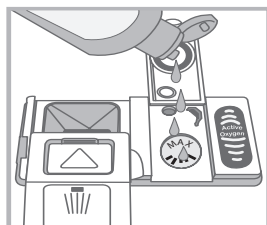
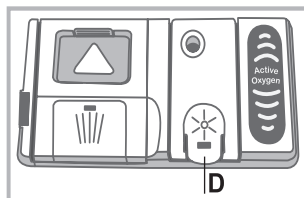
⚠ En cas d'utilisation d'un produit multifonction, pas besoin d'ajouter de produit de rinçage mais nous conseillons par contre **d'ajouter du sel, surtout en cas d'eau dure ou très dure.** (Se conformer aux instructions reportées sur l'emballage).

⚠ Faute d'ajouter du sel ou du produit de rinçage, il est normal que les voyants SEL* et PRODUIT DE RINÇAGE* restent allumés.

Charger le produit de rinçage

Le produit de rinçage aide au séchage de la vaisselle car il fait glisser l'eau de la surface et évite ainsi la formation de traces ou de taches. Il faut remplir le réservoir à produit de rinçage :

- quand le voyant PRODUIT DE RINÇAGE* du bandeau s'allume, une réserve de produit de rinçage pour 1-2 cycles est encore disponible ;



1. Ouvrir le réservoir « D » en poussant et en soulevant la languette sur le couvercle ;
2. Introduire le produit de rinçage avec précaution jusqu'au niveau maximal de l'ouverture de remplissage en évitant tout débordement. Si cela se produit, nettoyer aussitôt avec un chiffon sec.
3. Fermer le couvercle jusqu'au dé clic.

Ne JAMAIS verser le liquide de rinçage directement à l'intérieur de la cuve.

Régler la dose de produit de rinçage

Si le résultat du séchage n'est pas satisfaisant, le dosage du produit de rinçage peut être réglé. Appuyer sur la touche On/Off pour allumer et éteindre le lave-vaisselle. Appuyer sur la touche P 3 fois de suite. Allumer à l'aide de la touche ON/OFF, le niveau sélectionné est affiché (*configuré sur le niveau d'usine*). Régler le niveau de dosage du produit de rinçage à l'aide de la touche P.

Appuyer sur la touche ON/OFF pour sauvegarder le réglage effectué.

Le niveau de dosage du produit de rinçage peut être réglé sur ZÉRO, dans ce cas, le produit de rinçage ne sera pas débité et le voyant produit de rinçage ne s'allumera pas en cas d'absence de ce dernier.

Possibilité de sélectionner jusqu'à 4 niveaux maximum selon le modèle de lave-vaisselle.

- si la vaisselle présente des traces, régler sur des chiffres plus bas (1-2).
- s'il y a des gouttes d'eau ou des taches de calcaire, le régler sur des chiffres plus élevés (3-4).

Régler dureté de l'eau

Chaque lave-vaisselle est équipé d'un adoucisseur d'eau qui, grâce à du sel régénérant spécial lave-vaisselle, fournit de l'eau de lavage sans calcaire.

Ce lave-vaisselle permet d'opérer un réglage pour réduire la pollution et optimiser les performances de lavage selon la dureté de l'eau. Se renseigner auprès de l'organisme distributeur de l'eau.

Appuyer sur la touche On/Off pour allumer et éteindre le lave-vaisselle. Grader la touche P enfoncée pendant quelques secondes jusqu'au signal acoustique. Allumer le lave-vaisselle à l'aide de la touche ON/OFF, le niveau sélectionné est affiché (*L'adoucisseur d'eau est réglé en usine sur le niveau intermédiaire*).

Régler le niveau de dureté de l'eau à l'aide de la touche P, (1-2-3-4-5* voir tableau dureté de l'eau) jusqu'à 5 niveaux maximum.

Appuyer sur la touche ON/OFF pour sauvegarder le réglage effectué.

En cas d'utilisation de pastilles de lavage multifonction, remplir tout de même le réservoir à sel.

Tableau de dureté de l'eau				Autonomie moyenne**
niveau	°dH	°fH	mmol/l	réservoir à sel
				mois
1	0 - 6	0 - 10	0 - 1	7 mois
2	6 - 11	11 - 20	1,1 - 2	5 mois
3	12 - 17	21 - 30	2,1 - 3	3 mois
4	17 - 34	31 - 60	3,1 - 6	2 mois
5*	34 - 50	61 - 90	6,1 - 9	2/3 semaines

De 0°f à 10°f nous vous conseillons de ne pas utiliser de sel.
* la sélection 5 peut prolonger la durée.
** avec 1 lavage par jour

(°dH = dureté en degrés allemands - °fH = dureté en degrés français - mmol/l = millimole/litre)

Charger le sel régénérant

Pour obtenir de bons résultats de lavage, veiller à ce que le réservoir à sel ne soit jamais vide.

Le sel régénérant élimine le calcaire présent dans l'eau et évite ainsi qu'il ne se dépose sur la vaisselle.

Le réservoir à sel qui se trouve dans la partie inférieure du lave-vaisselle (*voir Description*) doit être rempli :

- quand le flotteur vert* n'est plus visible à travers le couvercle du sel ;
- quand le voyant SEL* du bandeau s'allume ;



1. Sortir le panier inférieur et dévisser le couvercle du réservoir dans le sens inverse des aiguilles d'une montre.
2. Lors de la première mise en service : remplir le réservoir d'eau à ras bord.
3. Utiliser l'entonnoir* (*voir figure*) pour remplir le réservoir de sel à ras bord (1 kg environ). Il est tout à fait normal qu'il y ait

un peu d'eau qui déborde.

4. Enlever l'entonnoir*, éliminer les résidus de sel sur le filetage. Avant de revisser le couvercle, il faut le rincer à l'eau courante en le plaçant tête en bas et en faisant couler l'eau à travers les quatre fentes en étoile situées dans la partie inférieure du couvercle. (bouchon avec flotteur vert*)

Nous conseillons d'effectuer cette opération à chaque chargement de sel.

Fermer soigneusement le couvercle pour éviter que du produit de lavage pénètre à l'intérieur du réservoir pendant le lavage (cela pourrait endommager irrémédiablement l'adoucisseur).

⚠ En cas de rajout de sel, effectuer cette opération juste avant un cycle de lavage pour éliminer aussitôt la solution saline qui a débordé.

* Présent uniquement sur certains modèles.

Coupage de l'arrivée d'eau et du courant

- Fermer le robinet de l'eau après chaque lavage pour éviter tout risque de fuites.
- Débrancher la fiche de la prise de courant lors du nettoyage de l'appareil et pendant tous travaux d'entretien.

Nettoyer le lave-vaisselle

- Pour nettoyer l'extérieur et le bandeau de commande, utiliser un chiffon humide non abrasif. N'utiliser ni solvants ni détergents abrasifs.
- Pour nettoyer la cuve intérieure et enlever toute tache, utiliser un chiffon imbibé d'eau additionnée d'un peu de vinaigre.

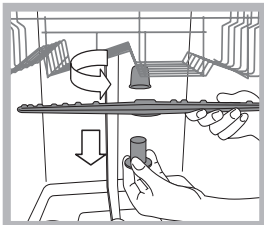
Eviter les mauvaises odeurs

- Laisser toujours la porte entrouverte pour éviter toute stagnation d'humidité.
- Nettoyer régulièrement les joints d'étanchéité de la porte et des bacs à produits de lavage avec une éponge humide. On évitera ainsi les incrustations de déchets d'aliment qui sont les principaux responsables de la formation de mauvaises odeurs.

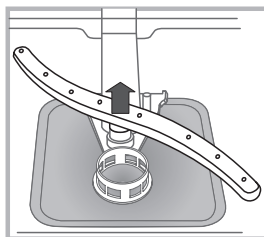
Nettoyer les bras de lavage

Il peut arriver que des déchets restent collés aux bras de lavage et bouchent les trous de sortie de l'eau : mieux vaut les contrôler de temps en temps et les nettoyer avec une petite brosse non métallique.

Les deux bras de lavage sont tous deux démontables.




Pour démonter le bras supérieur, il faut dévisser sa bague en plastique en tournant dans le sens inverse des aiguilles d'une montre. Remonter le bras gicleur supérieur en veillant à ce que la face percée du plus grand nombre d'orifices soit bien orientée vers le haut.



Pour démonter le bras de lavage inférieur, pousser sur les languettes situées sur les côtés et tirer vers le haut.

Nettoyage du filtre d'entrée d'eau*

Si les tuyaux de l'eau sont neufs ou s'ils sont restés longtemps inutilisés, avant d'effectuer le raccordement, faire couler l'eau jusqu'à ce qu'elle devienne limpide et dépourvue d'impuretés. Faute de quoi, un engorgement pourrait se produire au point d'arrivée de l'eau et endommager le lave-vaisselle .

 Nettoyer, périodiquement le filtre d'entrée de l'eau situé à la sortie du robinet.

- Fermer le robinet de l'eau.
- Dévisser l'extrémité du tuyau d'arrivée de l'eau, retirer le filtre et le laver soigneusement à l'eau courante.
- Remettre le filtre en place et visser le tuyau.

Nettoyer les filtres

Les trois filtres qui composent le groupe filtrant débarrassent l'eau de lavage des résidus d'aliments avant de la remettre en circulation : pour obtenir de bons résultats de lavage, il faut les nettoyer.

 Nettoyer les filtres régulièrement.

 Ne pas utiliser le lave-vaisselle sans filtres ou avec filtre mal fixé.

- Après quelques lavages, contrôler le groupe filtrant et, si nécessaire, le laver soigneusement à l'eau courante avec une petite brosse non métallique en procédant comme suit :

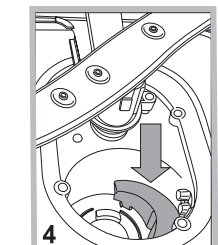
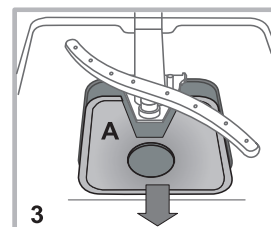
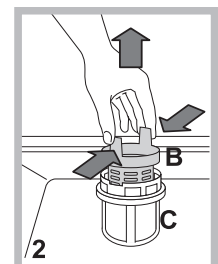
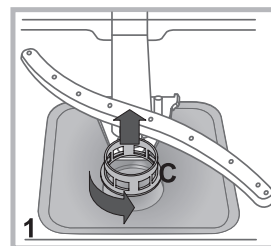
1. tourner le filtre cylindrique **C** dans le sens inverse des aiguilles d'une montre pour le sortir de son emplacement (*fig. 1*).

2. Exercer une légère pression sur les ailettes latérales du gobelet filtre **B** pour le faire sortir (*Fig. 2*) ;

3. Dégager le filtre inox **A**. (*fig. 3*).

4. Examiner la cavité et éliminer tout résidu de nourriture.

NE JAMAIS RETIRER la protection de la pompe de lavage (*pièce noire*) (*fig.4*).



Après avoir nettoyé les filtres, remettre soigneusement le groupe filtrant à sa place, cette opération est fondamentale pour un bon fonctionnement du lave-vaisselle.

En cas d'absence pendant de longues périodes

- Débrancher les raccordements électriques et fermer le robinet de l'eau.
- Laisser la porte entrouverte.
- Au retour, effectuer un lavage à vide.

* Présent uniquement sur certains modèles.

Anomalies et remèdes

FR

Si l'appareil présente des anomalies de fonctionnement, procéder aux contrôles suivants avant de prendre contact avec le service d'assistance technique.

Anomalies :	Causes / Solutions possibles :
Le lave-vaisselle ne démarre pas ou n'obéit pas aux commandes	<ul style="list-style-type: none">• Eteindre l'appareil à l'aide de la touche ON-OFF, rallumer au bout d'une minute environ et sélectionner à nouveau le programme.• La fiche n'est pas bien branchée dans la prise de courant.• La porte du lave-vaisselle n'est pas bien fermée
La porte ne ferme pas	<ul style="list-style-type: none">• La serrure est déclenchée ; pousser énergiquement sur la porte jusqu'au « clic ».
Le lave-vaisselle ne vidange pas.	<ul style="list-style-type: none">• Le programme n'est pas encore terminé.• Le tuyau de vidange de l'eau est plié (voir Installation).• L'évacuation de l'évier est bouchée.• Le filtre est bouché par des déchets de nourriture.
Le lave-vaisselle est bruyant.	<ul style="list-style-type: none">• La vaisselle s'entrechoque ou butte contre les bras de lavage.• Excès de mousse : le produit de lavage n'est pas bien dosé ou n'est pas approprié. (voir Mise en marche et utilisation).
La vaisselle et les verres présentent des dépôts de calcaire ou une couche blanchâtre.	<ul style="list-style-type: none">• Il manque du sel régénérant ou son réglage n'est pas adapté à la dureté de l'eau (voir Produit de rinçage et sel).• Le couvercle du réservoir à sel n'est pas bien fermé.• Il n'y a plus de produit de rinçage ou son dosage est insuffisant.
La vaisselle et les verres présentent des traces blanches ou des reflets bleuâtres.	<ul style="list-style-type: none">• Le dosage du produit de rinçage est excessif.
La vaisselle n'est pas sèche.	<ul style="list-style-type: none">• Il y a eu sélection d'un programme sans séchage.• Il n'y a plus de produit de rinçage ou son dosage est insuffisant (voir Produit de rinçage et sel).• Le réglage du produit de rinçage n'est pas approprié.• La vaisselle est en matériau anti-adhésif ou en plastique.
La vaisselle n'est pas propre.	<ul style="list-style-type: none">• Les paniers sont trop chargés (voir Charger les paniers).• La vaisselle n'est pas bien rangée.• Les bras de lavage ne tournent pas librement.• Le programme de lavage n'est pas assez puissant (voir Programmes).• Excès de mousse : le produit de lavage n'est pas bien dosé ou n'est pas approprié. (voir Mise en marche et utilisation).• Le couvercle du réservoir à produit de rinçage n'est pas bien fermé.• Le filtre est sale ou bouché (voir Entretien et soin).• Il manque du sel régénérant (voir Produit de rinçage et sel).
Il n'y a pas d'arrivée d'eau - Alarme robinet fermé. (des signaux acoustiques retentissent et l'écran affiche H pendant quelques minutes) (le voyant ON/OFF clignote et l'écran affiche le numéro 6).	<ul style="list-style-type: none">• Il y a une coupure d'eau.• Le tuyau d'arrivée de l'eau est plié (voir Installation).• Ouvrir le robinet, l'appareil se met en marche au bout de quelques minutes.• L'appareil s'est bloqué car personne n'a donné suite au signal acoustique. Eteindre l'appareil à l'aide de la touche ON/OFF, ouvrir le robinet et au bout de quelques secondes rallumer en appuyant à nouveau sur la même touche. Reprogrammer l'appareil et le remettre en marche.

* Présent uniquement sur certains modèles.

NL

Nederlands, 31

DIFP 68B1

Inhoud

Productkaart, 32

Voorzorgsmaatregelen en advies, 33

Algemene veiligheid
Afvalverwijdering
Energiebesparing en respect voor het milieu

Installatie, Service 34-35

Plaatsing en waterpas zetten
Hydraulische en elektrische aansluitingen
Aanwijzingen voor de eerste afwascyclus
Technische gegevens
Service

Beschrijving van het apparaat, 36

Aanzichttekening
Bedieningspaneel

Het laden van de rekken, 37-38

Onderrek
Bestekkorf
Bovenrek
Besteklade

Starten en gebruik, 39

Het starten van de afwasautomaat
Het vaatwasmiddel toevoegen

Programma's, 40

Programmatabel

Speciale programma's en Opties, 41

Glansmiddel en onthardingszout, 42

Het glansmiddel toevoegen
Het onthardingszout toevoegen

Onderhoud en verzorging, 43


Water en elektrische stroom afsluiten
Reinigen van de afwasautomaat
Vermijden van vervelende luchtjes
Reinigen van de sproeiarmen
Reinigen van het watertoevoerfilter
Reinigen van de filters
Als u langere tijd geen gebruik maakt van de afwasautomaat

Storingen en oplossingen, 44

Productkaart

NL

Productkaart	
Merk	INDESIT
Model	DIFP 68B1
Beladingscapaciteit in standaard couverts (1)	13
Energie-efficiëntieklasse op een schaal van A+++ (laag gebruik) tot D (hoog gebruik)	A+
Jaarlijks energieverbruik in kWh (2)	293.0
Energieverbruik van de standaard wascyclus in kWh	1.03
Energieverbruik in de off-modus in W	0.5
Energieverbruik in de aan-modus in W	5.0
Jaarlijks waterverbruik in liters (3)	3080.0
Droogeffectiviteit op een schaal van G (minimale effectiviteit) tot A (maximale effectiviteit).	A
Tijdsduur van het standaardprogramma in minuten	190
Tijdsduur van de aan-modus in minuten	10
Geluidsniveau in dB(A) re 1 pW	46
Inbouwmodel	Ja
N.B.	
1) De informatie op het energielabel en de productkaart is gebaseerd op de standaardwascyclus. Dit programma is geschikt om normaal vervuild vaatwerk te wassen en is het meest efficiënte programma wat betreft water- en energieverbruik. De standaardwascyclus correspondeert met de Eco-cyclus.	
2) Gebaseerd op 280 standaard wascycli met gebruik van koud water en het energieverbruik in de aan- en uit-modus. Het werkelijke energieverbruik is afhankelijk van de manier waarop het apparaat wordt gebruikt.	
3) Gebaseerd op 280 standaard wascycli. Het werkelijke waterverbruik is afhankelijk van de manier waarop het apparaat wordt gebruikt.	

 Het apparaat is ontworpen en gebouwd overeenkomstig de internationale veiligheidsnormen. Deze aanwijzingen zijn geschreven om veiligheidsredenen en moeten zorgvuldig worden doorgenomen.

Bewaar dit boekje zorgvuldig voor eventuele toekomstige raadpleging. Wanneer u het product weggeeft, verkoopt of wanneer u verhuist, dient u dit boekje bij het apparaat te bewaren.

Lees de aanwijzingen zorgvuldig door: er staat belangrijke informatie in over installatie, gebruik en veiligheid.

Dit apparaat is ontworpen voor huishoudelijk gebruik of gelijksoortige toepassingen, bijvoorbeeld:

- delen van winkels, kantoren en andere werkomgevingen die als keuken worden gebruikt, voor het personeel;
- boerderijen;
- gebruik door klanten in hotels, motels en andersoortige verblijfsmogelijkheden;
- bed and breakfasts.

Algemene veiligheid

- Deze afwasmachine mag niet gebruikt worden door personen (inclusief kinderen) met beperkte fysieke, zintuiglijke of mentale capaciteiten, of gebrek aan ervaring en kennis, tenzij zij onder toezicht staan van of instructies met betrekking tot het gebruik ontvangen door een persoon die verantwoordelijk is voor hun veiligheid.
- Volwassenen dienen toezicht te houden om te voorkomen dat kinderen met het apparaat spelen.
- Dit apparaat is ontwikkeld voor niet-professioneel gebruik binnenshuis.
- Dit apparaat moet worden gebruikt voor het wassen van huishoudelijke vaat en alleen door volwassenen volgens de aanwijzingen die terug zijn te vinden in dit boekje.
- De afwasautomaat mag niet buitenshuis worden geïnstalleerd, ook niet in overdekte toestand. Het is zeer gevaarlijk hem bloot te stellen aan regen en onweer.
- Raak de afwasautomaat niet blootvoets aan.
- Haal de stekker niet uit het stopcontact door eraan te trekken, maar door hem beet te pakken.
- Voordat u de afwasautomaat reinigt of onderhoud uitvoert moet u de waterkraan afsluiten en de stekker uit het stopcontact halen.
- In het geval van een storing mag u in geen enkel geval aan de interne mechanismen sleutelen om een reparatie trachten uit te voeren.
- Leun niet tegen de open deur aan en ga er niet op zitten. Het apparaat zou om kunnen vallen.
- De deur dient niet in openstaande stand gelaten te worden omdat men erover zou kunnen struikelen.
- Houd was- en glansmiddelen buiten het bereik van kinderen.
- Het verpakkingsmateriaal is geen speelgoed voor kinderen.

Afvalverwijdering

- Houd u aan de lokale normen, zodat het verpakkingsmateriaal kan worden hergebruikt.
- De Europese richtlijn 2012/19/EU betreffende afgedankte elektrische en elektronische apparatuur (AEEA), voorziet dat elektrische apparaten niet met het gewone huisvuil mogen worden meegegeven. Afgedankte apparaten moeten gescheiden worden ingezameld om het recyclen en herwinnen van de gebruikte materialen te optimaliseren en potentiële schade voor de gezondheid en het milieu te voorkomen. Het symbool van de afvallemmer met een kruis staat op alle producten om de consument eraan te herinneren dit product gescheiden in te zamelen.
Voor meer informatie betreffende het verwijderen van elektronische apparatuur kan de consument zich wenden tot de gemeentelijke reinigingsdienst of de verkoper.

Energiebesparing en respect voor het milieu

Water en energie besparen

- Start de afwasautomaat alleen als hij volgeladen is.
- Als u moet wachten totdat de afwasautomaat gevuld is, kunt u vervelende luchtjes vermijden door het programma *Inweken te gebruiken* (zie *Programma's*).
- Selecteer een programma wat geschikt is voor het type vaat en het soort vuil, door de Programmatafel te raadplegen:
 - voor een gemiddeld vuile vaat gebruikt u het programma Eco, dat een laag energie- en waterverbruik garandeert.
 - als u een kleine vaat heeft activeert u de optie Halve lading* (zie *Starten en gebruik*).
- Als u elektriciteitsbedrijf op bepaalde tijden of dagen goedkopere tarieven heeft, kunt u de afwasautomaat op deze tijden gebruiken. De optie Uitgestelde start* (zie *Starten en gebruik*) kan u erbij helpen het wassen op deze wijze te organiseren.

Afwasmiddelen zonder fosfaten, zonder chloor en met enzymen.

- We raden u sterk aan afwasmiddelen zonder fosfaten of chloor te gebruiken omdat deze geschikter zijn voor het behoud van het milieu.
- Enzymen zorgen voor een effectieve werking op temperaturen van ongeveer 50°C. Daarom kunt u met afwasmiddelen met enzymen op lage temperaturen resultaten bereiken die u anders pas op 65°C zou hebben.
- Doseer het afwasmiddel goed, op basis van de aanwijzingen van de fabrikant, van de waterhardheid, de hoeveelheid vuil en de hoeveelheid vaat, om zo verspillingen te voorkomen. Ook al zijn sommige afwasmiddelen biologisch afbreekbaar, toch bevatten zij elementen die het evenwicht van de natuur verstoren.

* Alleen aanwezig op bepaalde modellen.

Installatie - Service

NL

⚠ Als u het apparaat verplaatst moet u het verticaal houden; als dit niet mogelijk is moet u het naar achteren kantelen.

Plaatsing en waterpas zetten

1. Haal het apparaat uit de verpakking en controleer dat het geen schade heeft opgelopen tijdens het transport. Als het apparaat beschadigd is, moet u het niet aansluiten maar de dealer inschakelen.

2. De vaatwasser moet met de zijkant of de achterkant tegen de aangrenzende kastjes of de wand worden geïnstalleerd. Dit apparaat kan ook onder het aanrecht worden ingebouwd* (zie *Installatieblad*).

3. Plaats de vaatwasser op een rechte en stevige vloer. Compenseer eventuele onregelmatigheden door de voorste stelvoetjes los- of vast te draaien, totdat het apparaat horizontaal staat. Een correcte nivellering geeft stabiliteit en voorkomt trillingen, geluiden en verplaatsingen.

4*. Om de hoogte van het achterste stelvoetje te regelen moet u draaien aan de zeshoekige rode beslagring aan de onder-/voorzijde in het midden van de vaatwasser. Gebruik hiervoor een zeshoekige sleutel met een opening van 8 mm. Draai rechtsom om de hoogte te vermeerderen, linksom om de hoogte te verminderen. (zie *bijgeleverd instructieblad voor inbouw*)

Hydraulische en elektrische aansluitingen

⚠ Het voor de installatie aanpassen aan het elektrische en hydraulische systeem mag alleen door erkende technici worden uitgevoerd.

⚠ De afwasautomaat mag niet bovenop de buizen of de elektrische voedingskabel worden geplaatst.

⚠ Het apparaat dient aangesloten te zijn op de waterleiding met nieuwe buizen.

Gebruik geen oude buizen.

De buizen voor de toe- en afvoer van het water, en de elektrische voedingskabel kunnen voor een betere installatie zowel naar rechts of naar links worden gericht.

Aansluiting van de buis voor de watertoevoer

- schroef de toevoerbuis op een kraan met schroefdraad van 3/4 gas. Voor u hem vastschroeft moet u het water laten lopen tot het compleet helder is. Zo voorkomt u dat eventuele onzuiverheden het apparaat doen verstopen.
- Aansluiting op de warmwaterkraan: als er een centrale verwarming is met radiatoren kan de vaatwasser worden gevoed met warm water mits dit water niet warmer is dan 60°C.

⚠ Schroef de buis aan de kraan zoals beschreven voor de koudwateraansluiting

⚠ Als de lengte van de toevoerbuis niet toereikend is, dient u zich te wenden tot een speciaalzaak of tot een erkende monteur (zie *Service*).

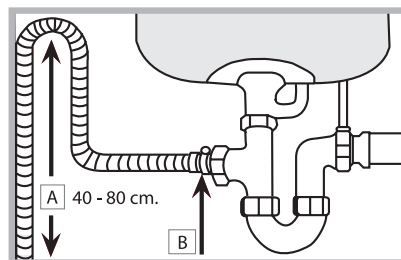
⚠ De waterdruk moet zich bevinden tussen de waarden die staan vermeld in de tabel met Technische gegevens (zie *hiernaast*).

Zorg ervoor dat de buis niet is geknikt of samengedrukt.

Aansluiting van de buis op de waterafvoer

Verbind de afvoerbuis, zonder hem te buigen, aan een afvoerleiding met een minimum doorsnede van 4 cm.

De afvoerbuis moet zich op een hoogte van tussen de 40 en de 80 cm van de vloer of van het draagvlak van de vaatwasser af bevinden (A).



Voor u de afvoerbuis aansluit op de sifon van de wasbak moet u de plastic dop verwijderen (B).

Lekkagebeveiliging

Om lekkages te voorkomen is de vaatwasser:

- voorzien van een systeem dat de watertoevoer onderbreekt in geval van storingen of lekkages van binnenuit.
- Enkele modellen zijn voorzien van een aanvullend beveiligingsmechanisme **New Acqua Stop***, dat de lekkage ook voorkomt in het geval de toevoerbuis kapotgaat.



GEVAARLIJKE SPANNING!

De toevoerbuis mag in geen geval worden doorsneden: hij bevat onderdelen die onder spanning staan.

Elektrische aansluiting

Voordat u de stekker in het stopcontact steekt, moet u zich ervan verzekeren dat:

- het stopcontact geaard is en voldoet aan de geldende normen;
- het stopcontact in staat is het maximale vermogen van het apparaat te dragen. Dit vermogen staat op het typeplaatje aan de binnenkant van de deur (zie hoofdstuk *Beschrijving van de vaatwasser*);
- de spanningswaarden zich bevinden tussen de waarden die staan aangegeven op het typeplaatje aan de binnenkant van de deur;
- de stekker van het apparaat en het stopcontact overeenkomen. Als dit niet het geval is moet u een bevoegde monteur inschakelen om de stekker te laten vervangen (zie *Service*); gebruik geen verlengsnoeren of dubbelstekkers.

⚠ Wanneer het apparaat is geïnstalleerd, moeten de elektrische voedingskabel en het stopcontact makkelijk te bereiken zijn.

⚠ De kabel mag niet worden gebogen of samengedrukt.

⚠ In het geval de voedingskabel beschadigd is, dient deze vervangen te worden door de fabrikant of door uw Technische Servicedienst, zodat elk risico vermeden wordt. (Zie *Service*)

* Alleen aanwezig op bepaalde modellen.

Anticondensstrip*


Nadat u de afwasautomaat heeft ingebouwd opent u de deur en plakt u de doorzichtige plakstrip onder het houten werkvlak, zodat u het beschermt tegen eventuele condens.

Aanwijzingen voor de eerste afwascyclus

Na de installatie moet u de beschermelementen op de rekken verwijderen zoals ook de elastieken op het bovenrek (waar aanwezig).

Direct voor de eerste wascyclus, moet u het zoutreservoir volledig met water vullen en ongeveer 1 kg onthardingszout toevoegen (zie hoofdstuk Glansmiddel en onthardingszout): het is normaal dat er tijdens deze handeling water overloopt. Selecteer de hardheid van het water (zie hoofdstuk Glansmiddel en onthardingszout).

- Na het vullen van het onthardingszout gaat het controlelampje ZOUT TOEVOEGEN* uit.

 Als u geen onthardingszout toevoegt kan de waterontharder en het verwarmingselement worden beschadigd.

Service

Voordat u de Servicedienst inschakelt:



- Dient u te controleren of u de storing zelf kunt oplossen (zie *Storingen en Oplossingen*).
- Start het programma opnieuw om te controleren of het probleem is opgelost.
- Als dit niet het geval is dient u de erkende Technische Servicedienst in te schakelen.

 **Wendt u nooit tot niet erkende technici.**

U dient door te geven:

- het type storing;
- het model van het apparaat (Mod.);
- het serienummer (S/N).

Deze informatie bevindt zich op het typeplaatje op het apparaat (zie *Beschrijving van het apparaat*).

Technische gegevens	
Afmetingen	breedte cm 59,5 hoogte cm 82 diepte cm 57
Capaciteit	13 bordensets
Waterdruk toevoer	0,05 ÷ 1 MPa (0,5 ÷ 10 bar) 7,25 – 145 psi
Netspanning	Zie typeplaatje
Totaal opnemingsvermogen	Zie typeplaatje
Zekering	Zie typeplaatje
	Deze afwasautomaat voldoet aan de volgende EU richtlijnen: - 2006/95/EC (Laagspanning) - 2004/108/EC (Elektromagnetische Compatibiliteit) - 2009/125/EC (Comm. Reg. 1016/2010) (Ecodesign) - 97/17/EC (Etikettering) - 2012/19/EC (AEEA)
	

Het apparaat beschikt over een aantal geluidssignalen/tonen (aan de hand van het model vaatwasser) die waarschuwen dat de betreffende functie van start is gegaan: inschakeling, einde cyclus, etc.

De symbolen/controlelampjes/leds op het bedieningspaneel/display kunnen van kleur veranderen, knipperen of vast aanstaan. (aan de hand van het model vaatwasser).

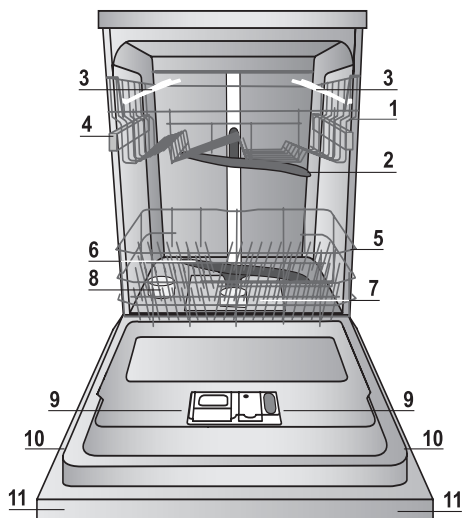
Het display toont nuttige informatie betreffende het type ingestelde cyclus, de was- of droogfase, de resterende tijd, de temperatuur, enz... enz...

* Alleen aanwezig op bepaalde modellen.

Beschrijving van het apparaat

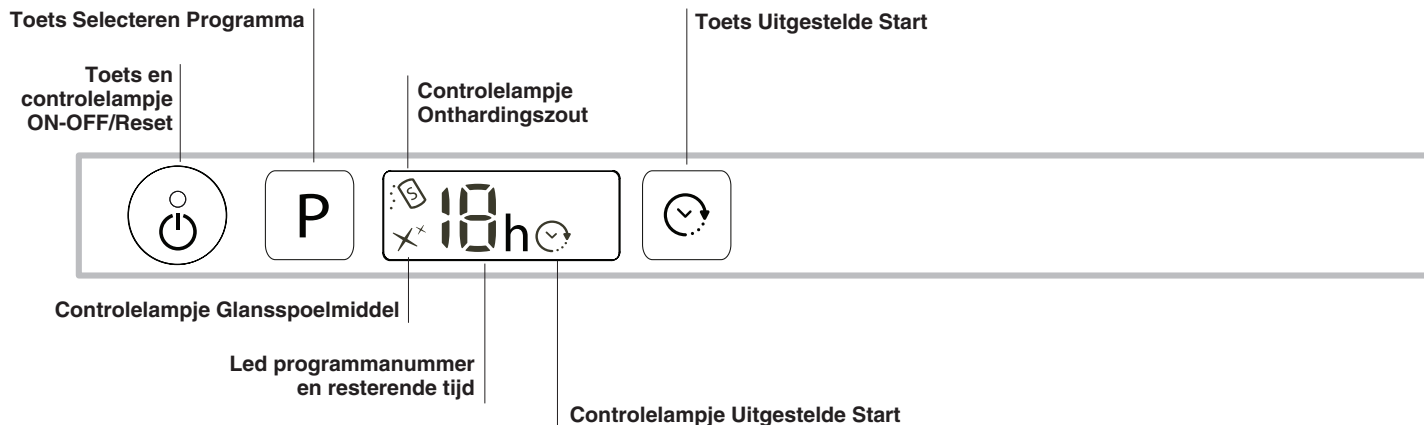
NL

Aanzichttekening



1. Bovenrek
2. Bovenste sproeiarmen
3. Opklaprekjes
4. Regeling hoogte bovenrek
5. Onderrek
6. Onderste sproeiarmen
7. Filter
8. Zoutreservoir
9. Wasmiddelbakje, reservoir glansspoelmiddel en Active Oxygen mechanisme*
10. Typeplaatje
11. Bedieningspaneel***

Bedieningspaneel



*** Alleen op modellen voor volledige inbouw.

* Alleen aanwezig op bepaalde modellen.

Het aantal en het soort programma's en opties verschilt aan de hand van het model afwasautomaat.

Het laden van de rekken

Advies

Voordat u de vaat inlaadt moet u overtollige etensresten verwijderen en glazen en bekers legen. **Het is niet noodzakelijk de vaat met water af te spoelen voor u hem in de vaatwasser laadt.**

Plaats de vaat dusdanig zodat hij stevig vaststaat en niet om kan vallen. Pannen, bakken en glazen moeten met de opening naar onder worden geplaatst en holle of bolle elementen moeten schuin worden geplaatst zodat het water alle oppervlakken kan bereiken en daarna vrijuit kan wegspoelen.

Zorg er voor dat deksels, handvatten, koekenpannen en schalen het draaien van de sproeiarmen niet beletten. Plaats kleine voorwerpen in de bestekkorf.

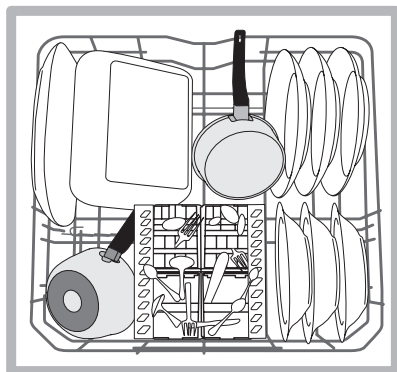
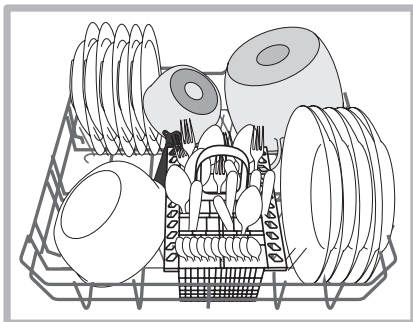
Plastic voorwerpen en pannen met antiaanbaklaag houden waterdruppels langer vast. Hun droogtegraad zal lager zijn dan die van voorwerpen van aardewerk of staal.

Lichte voorwerpen (zoals plastic bakken) moeten bij voorkeur op het bovenrek worden geplaatst, en zodanig dat zij niet kunnen bewegen.

Nadat u alles heeft ingeladen moet u controleren of de sproeiarmen vrij kunnen ronddraaien.

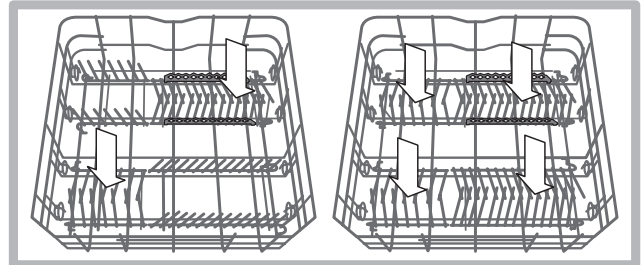
Onderrek

In het onderrek kunt u pannen, deksels, borden, slakommen, bestek, etc. plaatsen. Grote borden en deksels moeten bij voorkeur aan de zijkant van het rek worden geplaatst.



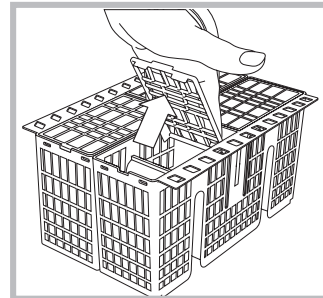
Het is aan te raden zeer vuile vaat in het onderrek te plaatsen, aangezien in dit deel van de vaatwasser de kracht van de waterstroom groter is waardoor de wasprestaties verbeteren.


Enkele modellen vaatwasser beschikken over uitklapbare delen*, deze kunnen in verticale positie worden gezet voor het plaatsen van borden, of in horizontale positie (neer), om pannen en slakommen beter te plaatsen.



Bestekkorf

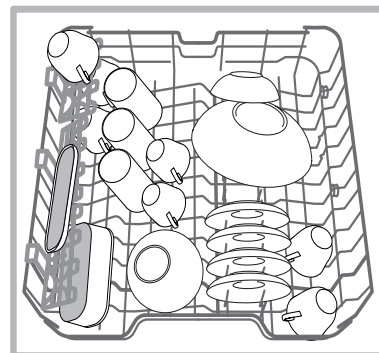
De bestekkorf is voorzien van roosters aan de bovenkant waarmee u het bestek beter kunt neerzetten. De korf mag alleen aan de voorzijde van het onderrek worden geplaatst.



 Messen en andere puntige voorwerpen moeten met de punten naar beneden in de bestekkorf worden geplaatst of op de opklaprekjes in het bovenrek gelegd in horizontale positie.

Bovenrek

Laad lichte en breekbare vaat zoals glazen, kopjes, bordjes, lage slakommen, in het bovenrek.



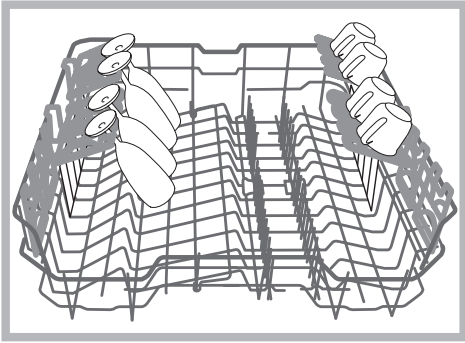
Enkele modellen vaatwasser beschikken over uitklapbare delen*, die in verticale stand kunnen worden gebruikt om bordjes te rangschikken, of die kunnen worden neergelegd om bakjes of houders op te plaatsen.

*Alleen op bepaalde modellen beschikbaar en variërend in aantal en positie.

Opklaprekjes met verschillende standen

De opklaprekjes aan de zijkant kunnen op drie verschillende hoogten worden gezet om de plaatsing van de vaat in het rek te optimaliseren.

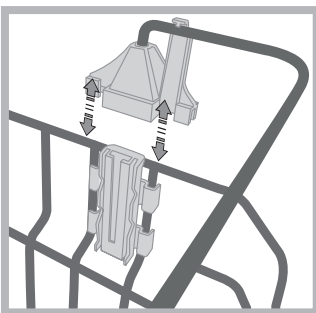
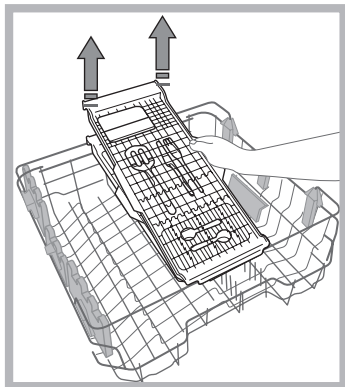
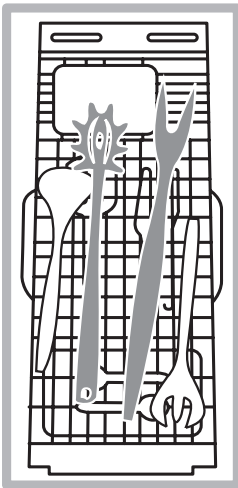
Wijnglazen kunnen op een stabiele wijze op de opklaprekjes worden geplaatst door de voet van het glas in de speciale gaten te steken.



Besteklade*

Enkele modellen vaatwasser beschikken over een verschuifbare besteklade die kan worden gebruikt om extra bestek of kleine kopjes te bewaren. Voor optimale wasprestaties moet u vermijden te grote vaat onder de besteklade te plaatsen.

De besteklade kan indien gewenst worden verwijderd. (zie afbeelding)



Voor u de besteklade op zijn plaats zet, moet u controleren of de steunen goed aan het bovenrek zijn vastgehaakt. (zie afbeelding)

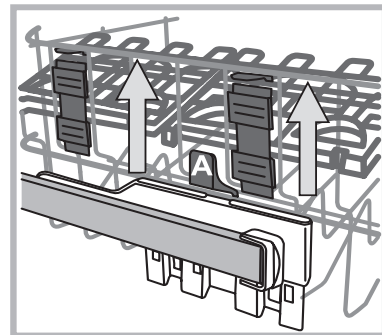
Het bovenrek kan naar believen in hoogte worden aangepast: naar boven toe als men in het onderrek volumineuze vaat wil plaatsen, naar beneden toe om goed te kunnen profiteren van alle plek in de opklaprekjes of de uitklapbare delen, zodat er naar boven toe meer plaats is.

Het regelen van de hoogte van het bovenrek

Om de vaat beter te kunnen verdelen, kunt u het bovenrek hoger of lager zetten.

We raden u aan de hoogte van het bovenrek te regelen als het REK LEEG IS.

Verplaats het rek NOOIT aan een enkele kant.



Als het rek beschikt over een **Lift-Up*** (zie afbeelding), tilt u het rek op door het aan de zijkanten vast te houden. Til hem dan naar boven op. Om naar de lagere stand terug te keren, drukt u op de handels (**A**) aan de zijkanten van het rek en helpt u het rek weer naar beneden te gaan.

Niet geschikte vaat

- Houten bestek of vaat.
- Breekbare, versierde glazen, met de hand vervaardigd vaatwerk en antiek vaatwerk. Deze decoraties zijn niet vaatwasserbestendig.
- De delen in synthetisch materiaal zijn niet hittebestendig.
- Vaatwerk van koper of tin.
- Vaatwerk dat vuil is met as, was, smeerolie of inkt.

De decoraties op glas en aluminium en zilveren delen kunnen tijdens het wassen verkleuren of witter worden. Ook enkele soorten glas (bv. kristallen voorwerpen) kunnen na vele wasbeurten mat worden.

Schade aan glas en vaatwerk

Oorzaken:

- Type glas en procedures voor het maken van glas.
- Chemische samenstelling van het wasmiddel.
- Watertemperatuur van het spoelprogramma.


Advies:

- Gebruik alleen glazen en porselein waarvan door de producent wordt gegarandeerd dat het vaatwasserbestendig is.
- Gebruik alleen wasmiddel dat geschikt is voor breekbaar vaatwerk.
- Verwijder glazen en bestek z.s.m. na het einde van het programma uit de vaatwasser.

* Alleen aanwezig op bepaalde modellen.


Start de vaatwasser

1. Open de waterkraan.
2. Open de deur en druk op de ON-OFF toets: de controlelampjes ON/OFF, de opties en het display gaan aan.
3. Doseer het vaatwasmiddel. (zie hiernaast).
4. Laad de rekken in (zie *De rekken laden*).
5. Selecteer het programma aan de hand van het soort vaat en het type vuil (zie *de programmatafel*) door op de toets **P** te drukken.
6. Selecteer de wasopties*. (zie *Speciale programma's en Opties*).
7. Start het programma door de deur te sluiten.
8. Het einde van het programma wordt aangegeven door geluidssignalen. Het nummer van het programma knippert op het display. Open de deur, schakel het apparaat uit met de ON-OFF toets, doe de waterkraan dicht en haal de stekker uit het stopcontact.
9. Wacht enkele minuten voordat u de vaat eruit haalt, om te voorkomen dat u zich verbrandt. Laad de vaat uit, beginnend met het onderrek.

 - Om het energieverbruik te verminderen gaat de automaat, wanneer hij voor langere tijd NIET gebruikt wordt, automatisch uit.

 **PROGRAMMI AUTO***: enkele modellen wasautomaat beschikken over een speciale sensor die kan waarnemen hoe vuil de vaat is en het meest efficiënte en zuinige wasprogramma kiezen.

De duur van de Automatische programma's hangt als gevolg af van wat de sensor waarneemt.

 Als de vaat niet zo vuil is of reeds is afgespoeld, dient u de dosis vaatwasmiddel aanzienlijk te beperken.

Het wijzigen van een reeds gestart programma

Als u een verkeerd programma heeft geselecteerd kunt u dit wijzigen, mits het net gestart is: open de deur en zorg ervoor u niet te branden met de vrijkomende stoom. Door langere tijd te drukken op de ON/OFF toets gaat het apparaat uit. Doe het apparaat weer aan met de ON/OFF toets en selecteer het nieuwe programma en de eventuele opties. Start de vaatwasser door de deur te sluiten.

Overige vaat toevoegen

Zonder de vaatwasser uit te zetten opent u de deur. Pas op de vrijkomende hete stoom, en doe de vaat in de vaatwasser. Sluit de deur: de wascyclus wordt hervat.

Onvoorziene onderbrekingen

Als tijdens het wassen de deur wordt geopend of er een stroomonderbreking plaatsvindt, wordt het programma onderbroken. Als de deur weer dichtgaat of wanneer de stroom terugkeert zal het worden hervat op het punt waar het werd onderbroken.

* Alleen aanwezig op bepaalde modellen.

Het vaatwasmiddel toevoegen

Een goed wasresultaat hangt ook af van een correcte dosering van het vaatwasmiddel. Teveel vaatwasmiddel betekent niet automatisch een efficiëntere reiniging. Bovendien is dit niet goed voor het milieu.

Aan de hand van de hoeveelheid vuil kan de dosering worden aangepast m.b.v. een vaatwasmiddel in poeder- of in vloeibare vorm.

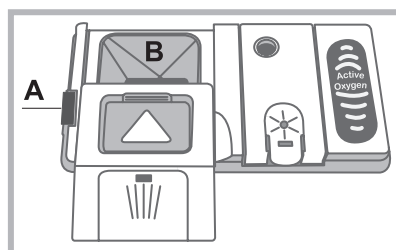
Normaal gebruikt men voor een gemiddeld vuile was ca. 35 g. (poeder), of 35 ml (vloeibaar). Als u wastabletten gebruikt, is één voldoende.

Als de vaat niet zo vuil is of reeds is afgespoeld, dient u de dosis vaatwasmiddel aanzienlijk te beperken.

Voor een juist wasresultaat dient u de instructies te volgen die op de verpakking van het vaatwasmiddel staan.

In het geval van verdere vragen raden wij u aan contact op te nemen met de klantenservice van de wasmiddelfabrikant.

Om het wasmiddelbakje te openen, drukt u op het openingsmechanisme "A"



Doe het vaatwasmiddel alleen in het droge bakje "B". Het vaatwasmiddel dat nodig is voor de voorwas moet direct in de vaatwasmachine worden geplaatst.

1. Doseer het vaatwasmiddel met behulp van de Programmatafel om de juiste hoeveelheid te gebruiken. In het kuipje **B** staat een niveau vermeld waar de maximum hoeveelheid vloeibaar- of poedervaatwasmiddel voor elke cyclus kan worden gegoten.

2. Verwijder de eventuele wasmiddelresten van de rand van het bakje en sluit het deksel met een klik.

3. Sluit het deksel van het wasmiddelbakje door het naar boven toe te drukken, totdat het afsluitmechanisme op zijn plaats is. Het wasmiddelbakje gaat automatisch op het juiste moment open, aan de hand van het type programma.

Als u gecombineerde vaatwasmiddelen gebruikt, raden we u aan de functie TABS te gebruiken, waarmee u het afwasprogramma juist afstemt. Zo zult u altijd het beste was- en droogresultaat bereiken.

 Gebruik alleen een specifiek vaatwasmiddel.

GEBRUIK NOOIT vaatwasmiddel voor met de hand wassen.

Een overmatig gebruik van vaatwasmiddel kan schuimresiduen achterlaten aan het einde van de wascyclus.

We raden u aan alleen tabletten te gebruiken bij modellen waar de optie MULTIFUNCTIE TABLETTEN bestaat.

De beste was- en droogprestaties bereikt u met het gebruik van een vaatwasmiddel in poedervorm, een vloeibaar glansspoelmiddel en onthardingszout.

Programma's

NL

De gegevens van de programma's zijn gemeten in laboratoriumomstandigheden volgens de Europese vorm EN 50242. **Aan de hand van de verschillende gebruiksmogelijkheden kunnen de duur en de programmeergegevens verschillen.**

⚠ Het aantal en het soort programma's en opties verschilt aan de hand van het model afwasautomaat.

Programma	Programma's met droogfunctie	Opties	Duur van het programma	Waterverbruik (l/cyclus)	Energieverbruik (KWh/cyclus)
1. Eco	Ja	Uitgestelde Start	03:10'	11	1,03
2. Auto Intensief 	Ja	Uitgestelde Start	02:00' - 3:10'	14 - 15,5	1,5 - 1,8
3. Auto Normaal 	Ja	Uitgestelde Start	1:30' - 02:30'	14,5 - 16	1,2 - 1,35
4. Teer vaatwerk 	Ja	Uitgestelde Start	01:40'	11	1,1
5. Express 40' 	Nee	Uitgestelde Start	00:40'	9,5	0,9
6. Weken 	Nee	Uitgestelde Start	00:12'	4,5	0,01
7. Halve lading 	Ja	Uitgestelde Start	01:20'	12,0	1,15
8. Extra 	Nee	Uitgestelde Start	01:00'	11	n.a.

Aanwijzingen voor het kiezen van het programma en de dosering van het afwasmiddel

1. Het ECO wasprogramma is het standaardprogramma waarop de gegevens op het energielabel betrekking hebben: deze cyclus is geschikt voor het reinigen van normaal vuile afwas en is het meest efficiënte programma voor wat betreft energie- en waterverbruik voor dit soort vaat. 27 gr/ml + 6 gr/ml** – 1 Tab (**Hoeveelheid vaatwasmiddel van voorwas)
2. Zeer vuile vaat en pannen (niet te gebruiken voor teer vaatwerk). 30 gr/ml – 1 Tab
3. Normaal vuile vaat en pannen. 27 gr/ml + 6 gr/ml** – 1 Tab
4. Cyclus voor teer vaatwerk dat gevoelig is voor hoge temperaturen. 30 gr/ml – 1 Tab
5. Snelle cyclus voor niet zo vuile vaat. (ideaal voor 2 couverts) 25 gr/ml – 1 Tab
6. Voorwas in afwachting van de lading van de volgende maaltijd. Geen afwasmiddel
7. Ideale cyclus voor het wassen van een kleine, middelmatig vuile vaat. 25 gr/ml - 1 Tab
8. Vaat van grote afmetingen (*Niet voor breekbare onderdelen*) 30 gr/ml – 1 Tab
Verbruik in stand-by: Verbruik in left-on modus: 5 W - verbruik in off modus: 0,5 W.

n.a. = niet beschikbaar

Speciale programma's en Opties

N.B.:

de beste prestaties van de programma's "Rapid en Express 30'" worden bereikt als u het aantal aangegeven couverts niet overschrijdt.

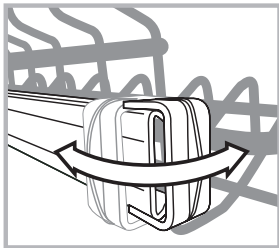
Voor een zuiniger verbruik de afwasmachine volgeladen laten draaien.

Aanwijzing voor de Proeflaboratoria: voor gedetailleerde informatie over de omstandigheden van de EN-vergelijkingstest kunt u contact opnemen met: ASSISTENZA_EN_LVS@indesitcompany.com

Programma EXTRA

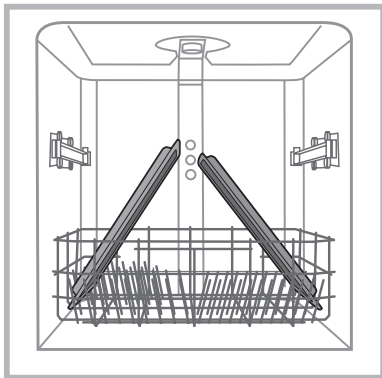
Met het programma EXTRA is het mogelijk op intensieve wijze borden en pannen van grote afmetingen te wassen, tot aan een maximum hoogte van 53 cm: ovenschalen en ovenroosters, lekplaten, panneroosters van kookplaten, grote pannen, serveerschotels en pizzaborden, afzuigkapfilters van RVS.

Om vaat van grote afmetingen in de vaatwasser te laden dient u eerst het bovenrek te verwijderen.



Open de twee klemmen aan de rechterkant en linkerkant en verwijder het rek.

Als het bovenrek op zijn plaats zit, moeten de klemmen altijd goed dicht zitten.



Om ervoor te zorgen dat de waterstraal alle delen van de vaat bereikt, moet u de vaat exact zo plaatsen als in de afbeelding. De cyclus kan ook worden gebruikt voor tere vaat van grote afmetingen, m.b.v. de optie Extra Light (zie Wasopties).

Schakel de vaatwasser nooit in als het bovenrek niet op zijn plaats is bij afwascycli anders dan het programma EXTRA.

Als u de Cyclus Extra en Extra uitvoert met de optie Light*, dient u het vaatwasmiddel direct in de kuip te schenken en niet in de dispenser.

Afwasopties

Als een optie niet compatibel is met het geselecteerde programma (zie programmatafel) zal de betreffende led 3 maal snel knipperen en hoort u enkele korte pieptonen.



Uitgestelde start

Het is mogelijk de start van het programma **1 tot 12** uur uit te stellen:

1. Druk op de toets UITGESTELDE START: het display toont het betreffende symbool. Elke keer dat u op de toets drukt neemt de tijd toe (1hr, 2hr, etc. tot aan max. 12hr) vanaf de start van het geselecteerde programma.

2. Selecteer het programma en sluit de deur: het terugtellen begint;

3. Als de tijd verstreken is gaat het controlelampje uit en start het programma.

Om de uitgestelde start te wijzigen en een korter uitstel te selecteren moet u op de toets UITGESTELDE START drukken. Om dit te annuleren drukt u enkele keren op de toets totdat het controlelampje van de uitgestelde start uitgaat. Het programma gaat van start op het moment dat de deur dichtgaat.

* Alleen aanwezig op bepaalde modellen.

Glansmiddel en zout

NL

⚠ Gebruik uitsluitend producten die speciaal voor vaatwasmachines bestemd zijn.

Gebruik geen keukenzout of industrieel zout en ook geen wasmiddelen voor handwas.

Volg de aanwijzingen op de verpakking.

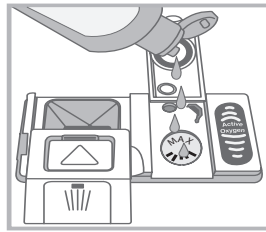
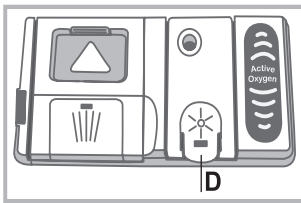
⚠ Als u een multifunctioneel product gebruikt, is het niet nodig een glansmiddel toe te voegen. Wij raden u echter wel aan onthardingszout toe te voegen, als het water hard of zeer hard is. (Volg de aanwijzingen op de verpakking).

⚠ Als u geen zout of glansmiddel toevoegt, is het normaal dat de controlelampjes ZOUT TOEVOEGEN* en GLANSMIDDEL TOEVOEGEN* blijven branden.

Het glansmiddel toevoegen

Het glansmiddel bevordert het drogen van de vaat door het water van het oppervlak af te laten glijden. Op deze manier voorkomt u strepen of vlekken. Het glansmiddelreservoir moet worden gevuld:

- als op het bedieningspaneel het controlelampje GLANSMIDDEL TOEVOEGEN aangaat* is er nog voldoende glansmiddel over voor 1-2 wasbeurten;



- Open de houder "D" door het lipje op het deksel in te drukken en omhoog te halen;
- Doe het glansmiddel voorzichtig in het bakje tot aan het streepje. Zorg ervoor dat u niet morst. Als u wel morst, moet u het product gelijk met een droge doek verwijderen.
- Sluit het deksel met een klik.

Giet het glansmiddel NOOIT direct in de machine.

De dosis glansmiddel regelen

Als u niet tevreden bent over de droogresultaten, kunt u de dosis glansmiddel regelen. Schakel het apparaat in met de ON/OFF toets. Druk 3 keer op de P toets. Doe de vaatwasser aan met de ON/OFF toets. Het ingestelde niveau verschijnt op het display (ingesteld op fabriekswaarden).

Regel het niveau van de toevoer van het glansmiddel met de P toets.

Druk op de ON/OFF toets om de ingestelde regeling op te slaan.

Het glansmiddelniveau kan worden ingesteld op NUL. In dat geval zal er geen glansmiddel worden toegevoegd en zal het controlelampje glansmiddel toevoegen niet aangaan als het product op is.

U kunt maximaal 4 niveaus instellen, aan de hand van het model vaatwasser.

- als u op de vaat strepen aantreft, moet u een lagere stand instellen (1-2).
- als u waterdruppels of kalkaanslag aantreft, moet u een hogere stand instellen (3-4).

Instellen waterhardheid

Elke vaatwasser is voorzien van een waterontharder die, met behulp van speciaal onthardingszout, kalkvrij water levert voor het wassen van de vaat.

In deze afwasautomaat kan de waterontharder aan de hand van de waterhardheid worden geregeld voor het beperken van

de vervuiling en het optimaliseren van de wasprestaties. Dit gegeven kunt u bij uw plaatselijke waterbedrijf opvragen.

Schakel het apparaat in met de ON/OFF toets. Houd de P toets enkele seconden ingedrukt tot u een geluidssignaal hoort. Doe de vaatwasser aan met de ON/OFF toets. Het ingestelde niveau verschijnt op het display (de waterontharder staat op een gemiddeld niveau).

Regel het niveau van de waterhardheid met de P toets, (1-2-3-4-5* zie tabel waterhardheid) tot maximaal 5 niveaus.

Druk op de ON/OFF toets om de ingestelde regeling op te slaan.

Als u multifunctie tabletten gebruikt moet u toch het zoutreservoir vullen.

Tabel Waterhardheid				Gemiddelde duur** zoutreservoir
niveau	°dH	°fH	mmol/l	maanden
1	0 - 6	0 - 10	0 - 1	7 maanden
2	6 - 11	11 - 20	1,1 - 2	5 maanden
3	12 - 17	21 - 30	2,1 - 3	3 maanden
4	17 - 34	31 - 60	3,1 - 6	2 maanden
5*	34 - 50	61 - 90	6,1 - 9	2/3 weken

Van 0°f tot 10°f raden wij u aan geen zout te gebruiken.
* als u 5 instelt, kan de duur iets langer zijn.
** met 1 wascyclus per dag

(°dH = waterhardheid in Duitse graden - °fH = waterhardheid in Franse graden - mmol/l = millimol/liter)

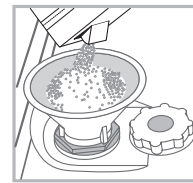
Het onthardingszout toevoegen

Om goede wasresultaten te bereiken, moet u altijd controleren of het zoutreservoir voldoende gevuld is.

Het onthardingszout verwijdert het kalk uit het water en zorgt ervoor dat er geen kalkaanslag op de vaat achterblijft.

Het zoutreservoir bevindt zich aan de onderzijde van de vaatwasmachine (zie Beschrijving) en moet worden gevuld:

- als de groene drijver* niet zichtbaar is als u naar de zoutdop kijkt;
- als op het bedieningspaneel het controlelampje ZOUT TOEVOEGEN* aangaat;



- Haal het onderrek naar voren en draai de dop van het zoutreservoir tegen de klok in.
- Alleen voor de eerste afwasbeurt: vul het reservoir tot aan de rand met water.
- Plaats de trechter* (zie afbeelding) en vul het reservoir tot aan de rand met zout (ca. 1 kg); het is normaal dat er wat water

overloopt.

4. Verwijder de trechter*, reinig de eventuele zoutresten op de opening. Spoel de dop onder het water af voor u hem weer terugschroeft door hem ondersteboven onder de waterstraal te plaatsen en het water uit de 4 gleuven aan de onderzijde van de dop te laten stromen. (dop met groene drijver*)

We raden u aan bovenstaande handeling elke keer uit te voeren als u zout bijvult.

Schroef de dop weer op zijn plaats, zodat er tijdens het wassen geen afwasmiddel in het reservoir kan komen (de waterontharder zou onherstelbaar kunnen worden beschadigd).

⚠ Wanneer noodzakelijk, voegt u het zout toe vóór een wascyclus, zodat de overgelopen zoutoplossing uit het zoutreservoir wordt verwijderd.

* Alleen aanwezig op bepaalde modellen.

Water en elektrische stroom afsluiten

- Sluit na elke afwasbeurt de waterkraan af om lekkage te voorkomen.
- Haal de stekker uit het stopcontact tijdens reiniging en onderhoud.

Reinigen van de afwasautomaat

- De buitenkant en het bedieningspaneel kunnen worden gereinigd met een natte, niet schurende doek. Gebruik geen oplosmiddelen of schuurmiddelen.
- De vlekken aan de binnenkant van de afwasautomaat kunnen worden verwijderd met een natte doek en wat azijn.

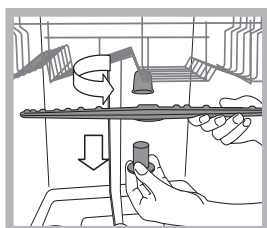
Vermijden van vervelende luchtjes

- Laat de deur altijd op een kier om het ophopen van vocht te voorkomen.
- Reinig geregeld de afdichtingen rondom de deur en de wasmiddelbakjes met een vochtige spons. Zo vermijdt u het ophopen van etensresten die de hoofdoorzaak zijn van vervelende luchtjes.

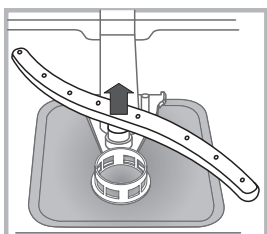
Reinigen van de sproeiarmen

Het kan gebeuren dat er etensresten aan de sproeiarmen blijven kleven en de gaatjes waar water uit komt verstoppen: u doet er goed aan ze regelmatig te controleren en te reinigen met een niet-metalen borsteltje.

De twee sproeiarmen kunnen beide uit elkaar worden gehaald.



Om de bovenste sproeiarm uit elkaar te halen dient u de plastic dop linksom los te schroeven. De bovenste sproeiarm moet worden gemonteerd met de gaten naar boven gericht.



De onderste sproeiarm haalt u uit elkaar door druk uit te oefenen op de lipjes aan de zijkant en door hem daarna naar boven te trekken.

Reinigen van het watertoevoerfilter*

Als de waterleiding nieuw is of lange tijd niet gebruikt, laat dan voordat u de aansluiting tot stand brengt het water lopen totdat het helder is en vrij van vuildeeltjes. Als u dit niet doet loopt u het risico dat het punt waar het water binnenkomt verstopt raakt en uw afwasautomaat beschadigt.

Reinig geregeld het watertoevoerfilter bij de kraan.

- Doe de waterkraan dicht.
- Schroef het uiteinde van de watertoevoerbuï los, verwijder het filter en reinig het voorzichtig onder stromend water.
- Doe het filter op zijn plaats en schroef de buï vast.

Reinigen van de filters

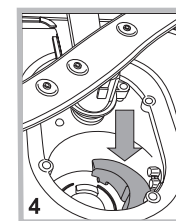
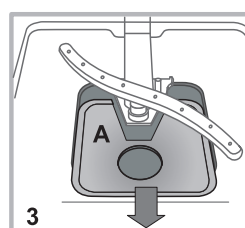
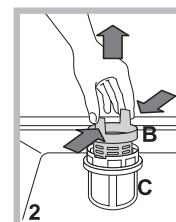
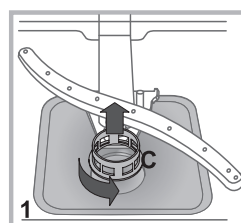
De filtergroep wordt gevormd door drie filters die etensresten uit het waswater verwijderen en zorgen dat het weer schoon in het watercircuit terechtkomt: voor een optimaal resultaat moeten de filters regelmatig worden schoongemaakt.

Reinig de filters regelmatig.

De afwasautomaat mag niet zonder filters of met een los filter worden gebruikt.

• Controleer na enkele wasbeurten de filtergroep. Reinig hem indien noodzakelijk grondig onder stromend water met behulp van een niet-metalen borsteltje. Volg onderstaande aanwijzingen:

1. draai het cilindrische filter C linksom en trek hem naar buiten (*afb. 1*).
2. Verwijder het glasfilter B door een lichte druk uit te oefenen op de lipjes aan de zijkant (*Afb. 2*);
3. Haal het roestvrijstalen bordfilter A van zijn plek (*afb. 3*).
4. Controleer het afvoerputje en verwijder eventuele etensresten. **VERWIJDER NOOIT** de bescherming van de waspomp (*zwart element*) (*afb. 4*).



Na het reinigen van de filters dient u de filtergroep weer op zijn plaats te zetten. Dit is fundamenteel voor een goede werking van de afwasautomaat.

Als u langere tijd geen gebruik maakt van de afwasautomaat

- Schakel de stroom uit en sluit de waterkraan af.
- Laat de deur op een kier staan.
- Laat als u terugkeert de afwasautomaat een keer leeg draaien.

* Alleen aanwezig op bepaalde modellen.

Storingen en oplossingen

195118686.02

02/2014 jk - Xerox Fabriano



NL

Als er storingen zijn in de werking van het apparaat dient u eerst de volgende punten na te gaan voor u zich tot de Servicedienst wendt.

Storingen:	Mogelijke oorzaken / Oplossingen:
De vaatwasser start niet of volgt de opdrachten niet op	<ul style="list-style-type: none">• Schakel het apparaat uit met de ON/OFF toets, schakel het na een minuut weer in en stel het programma opnieuw in.• De stekker zit niet goed in het stopcontact.• De deur van de vaatwasser is niet goed dicht.
De deur gaat niet dicht	<ul style="list-style-type: none">• Het slot zit niet goed vast. Druk stevig tegen de deur totdat u een klik hoort.
De vaatwasser pompt het water niet af.	<ul style="list-style-type: none">• Het programma is nog niet geëindigd.• De waterafvoerbuis is geknikt (zie Installatie).• De afvoer van de wasbak is verstopt.• Het filter is verstopt met etensresten.
De vaatwasser maakt lawaai.	<ul style="list-style-type: none">• De vaat stoot tegen elkaar of tegen de sproeiarmen.• Teveel schuim: u heeft teveel afwasmiddel gebruikt of het afwasmiddel is niet geschikt voor afwasautomaten. (zie Starten en gebruik).
Er blijven op vaat en glazen kalkafzettingen of een witte aanslag achter.	<ul style="list-style-type: none">• Er zit niet genoeg zout in het reservoir of de afregeling is niet toereikend voor de waterhardheid (zie Glansmiddel en onthardingszout).• Het deksel van het zoutreservoir is niet goed dicht.• Het glansmiddel is op of de dosering is ontoereikend.
Er blijven op vaat en glazen strepen of blauwe kringen achter.	<ul style="list-style-type: none">• Er wordt teveel glansmiddel gebruikt
De vaat is niet droog genoeg.	<ul style="list-style-type: none">• U heeft een programma zonder drogen ingesteld.• Het glansmiddel is op of de dosering is ontoereikend (zie Glansmiddel en onthardingszout).• De regeling van het glansmiddel is niet juist.• Het vaatwerk is voorzien van een antiaanbaklaag of is van plastic.
De vaat is niet schoon.	<ul style="list-style-type: none">• De rekken zijn te vol geladen (zie De rekken laden).• De vaat is niet goed verdeeld.• De sproeiarmen kunnen niet vrijuit draaien.• Het wasprogramma is niet energiek genoeg (zie Programma's).• Teveel schuim: u heeft teveel afwasmiddel gebruikt of het afwasmiddel is niet geschikt voor afwasautomaten. (zie Starten en gebruik).• Het deksel van het zoutreservoir is niet goed afgesloten.• Het filter is vuil of verstopt (zie Onderhoud en verzorging).• Er zit geen onthardingszout meer in het reservoir (zie Glansmiddel en onthardingszout).
De vaatwasser vult zich niet met water - Alarm kraan dicht. (u hoort enkele geluidsignalen en op het display verschijnt enkele minuten lang H) (het controlelampje ON/OFF knippert en op het display verschijnt het nummer 6).	<ul style="list-style-type: none">• Er zit geen water in de centrale waterleiding.• De watertoevoerbuis is geknikt (zie Installatie).• Open de kraan en het apparaat start na enkele minuten vanzelf.• Het apparaat is geblokkeerd omdat u niet heeft ingegrepen na de pieptoon. Schakel de machine uit met de ON/OFF toets, open de kraan en schakel hem na enkele seconden opnieuw in door middel van dezelfde toets. Herprogrammeer het apparaat en start het opnieuw.

* Alleen aanwezig op bepaalde modellen.