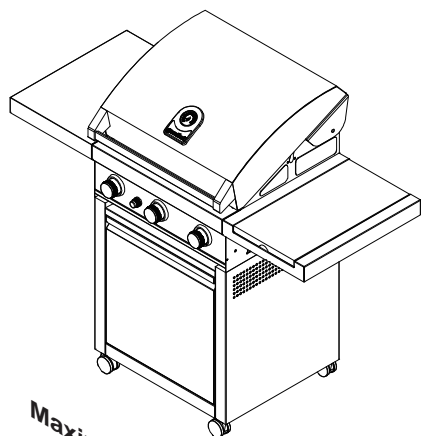
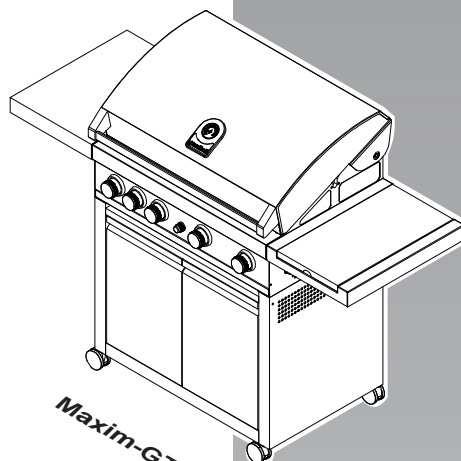


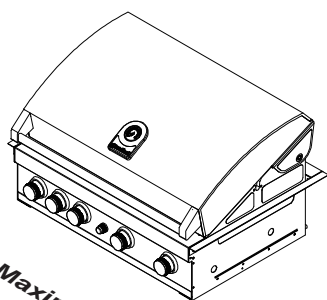
# gas barbecue



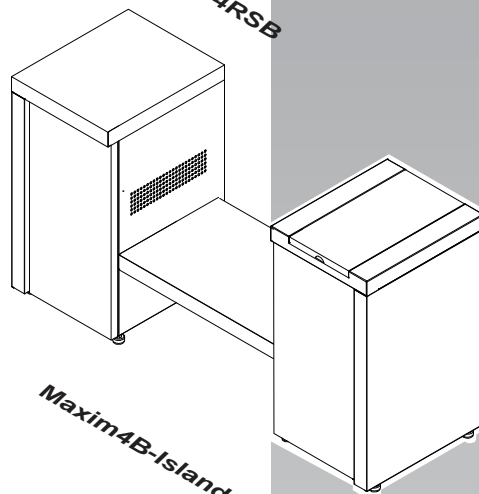
Maxim-GT3RS



Maxim-GT4RSB



Maxim-GT4RB



Maxim4B-Island

- (IE) (GB) Assembly instructions
- (CH) (FR) Instructions d'assemblage
- (AT) (CH) (DE) Montageanweisungen
- (CH) (IT) Istruzioni per il montaggio
- (BE) (NL) Montage-instructies
- (SE) Montering
- (FI) Kokoamisohjeet
- (ES) Instrucciones de armado
- (PT) Instruções para Montagem
- (DK) Monteringsvejledning
- (NO) Montering
- (HR) Upute za montažu
- (SI) Navodila za montažo

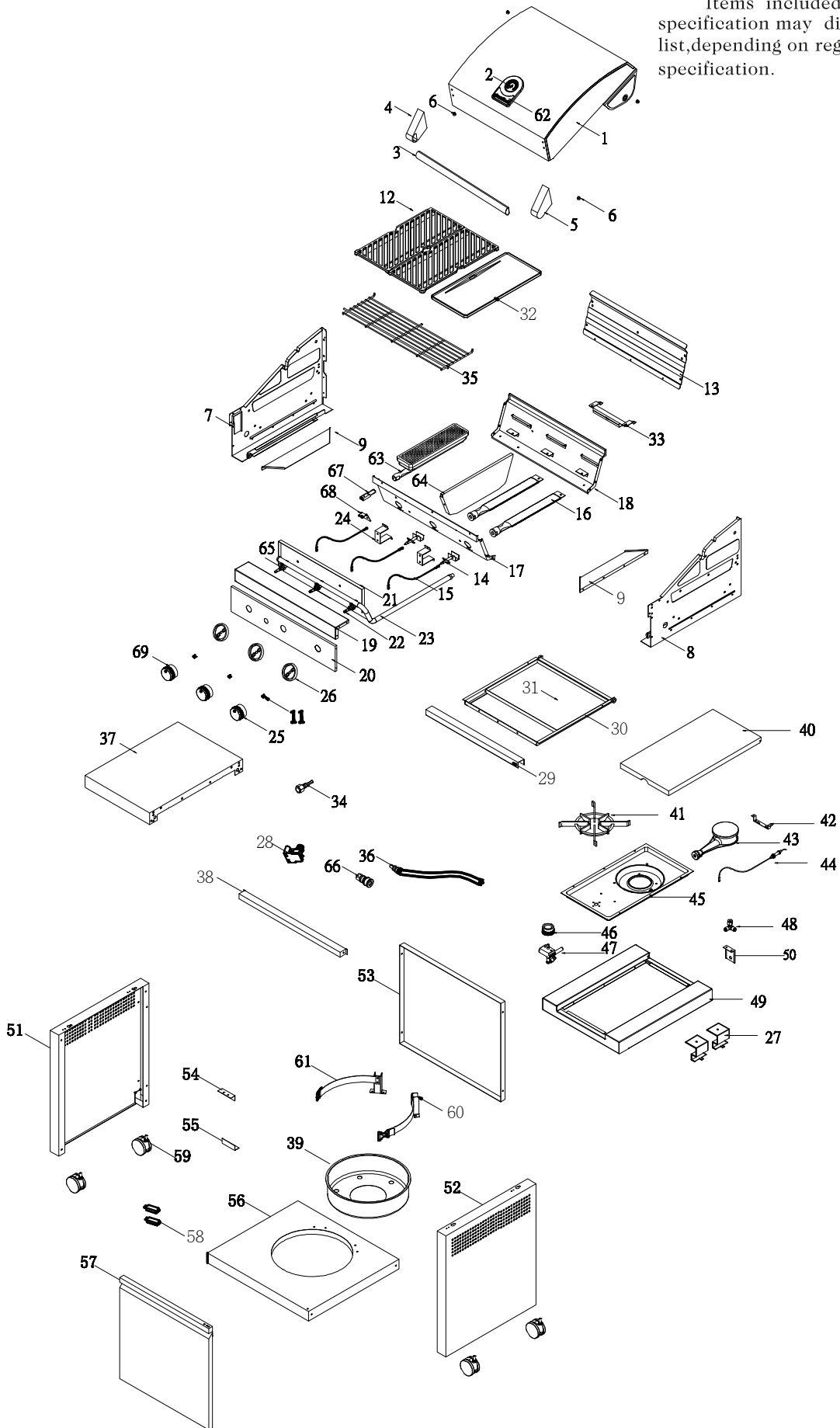
PART LIST - GT3RS
-------------------

Ref	Description	Part No.	Qty	Ref	Description	Part No.	Qty
1	Lid Assembly	P0014637FB	1	41	Side Shelf Pot Support	P00815008A	1
2	Temperature Gauge	P00601484C	1	42	Side Burner Mounting Brakcet	P03327024D	1
3	Lid Handle	P00218012R	1	43	Side Burner	P02004043F	1
4	Lid Handle Seat (Left)	P03303124A	1	44	Electrode- Side Burner	P02607060C	1
5	Lid Handle Seat (Right)	P03303125A	1	45	Side Shelf Body	P011030612	1
6	Lid Rubber Pad	P05518002I	4	46	Control Knob - side burner	P03408101L	1
7	Bowl Panel, Left	P00761164A	1	47	Valve- Side Burner	P03250007G	1
8	Bowl Panel, Right	P00762154A	1	48	Adaptor-1/4 LH inlet	P03904002A	1
9	Bowl Grease Shield	P06901030B	2	49	Side Shelf Trim Plate	P011260244	1
11	Knob Seat Spring	P05504021A	3	50	Burner Bracket-Side Burner	P03303150U	1
12	Grill Plate	P01615052H	2	51	Trolley Panel, Left	P07617052V	1
13	Bowl Wind Shield	P0071642UA	1	52	Trolley Panel, Right	P07618055V	1
14	Gas Collector Box with Electrode	P02609055A	2	53	Trolley Panel, Rear	P07702140R	1
15	Electric Wire Set	P02615193A	1Set	54	Door guide - upper	P05510144E	1
16	Main Burner	P02008085B	2	55	Door guide - lower	P05510143E	1
17	Bowl Panel, Front	P0076306GA	1	56	Trolley Bottom Panel	P01001112Z	1
18	Bowl Panel, Rear	P0076022GA	1	57	Door	P043040192	1
19	Upper control Panel-30mbar	P0291373FI	1	58	Magnet seat	P05523001K	2
	Upper control Panel-50mbar	P0291373FJ	1	59	2.5" caster	P05118004A	4
20	Control Panel	P02913956E	1	60	Tank holder	P04009036C	2
21	Gas Valve Heat Shield	P03007266G	1	61	Tank Fastening Strap	P05314005V	1
22	Main Valve-without jet	P03239012A	2	62	Name plate	P00407036A	1
23	Manifold	P05003302A	1	63	Searing Burner	P02005032A	1
24	Gas Valve Heat Shield Bracket	P03327107A	2	64	Searing Burner Heat Shield	P06906096A	1
25	Control knob - main burner	P03401477K	2	65	Searing Valve-without jet	P032480095	1
26	Knob Seat	P03415014S	3	66	Quick connect , female	P03912001A	1
27	Side burner hose bracket	P03341002Q	2	67	Searing Burner Electrode	P02614061A	1
28	Electric Ignitor	P02502244C	1	68	Searing Burner Electrode Bracket	P033271154	1
29	Grease Tray Handle	P00213041M	1	69	Control knob - Searing burner	P03436147A	1
30	Grease Tray Holder Bracket	P03327114D	1		Hardware Pack	P06003196A	1
31	Grease Tray	P0271784PD	1				
32	Hotplate	P05701049H	1				
33	Crossfire box	P022123984	1				
34	Universal Hose Bar -1/4 LH inlet	P03901024A	1				
35	Warming Rack	P01505032J	1				
36	Quick connect with hose, male	P03711041I	1				
37	Side Shelf, Left	P011020684	1				
38	Cart Bracket, Front	P033010716	1				
39	Gas cylinder housing	P04021013H	1				
40	Side Shelf Lid	P0011555E4	1				

**GT3RS Model**

This diagram is provided to assist you identify parts if replacement is necessary. Contact your place of purchase or the manufacturer to enquire about parts, availability and ou service.

Items included in your barbecue specification may differ from the parts list, depending on region or specific dealer specification.



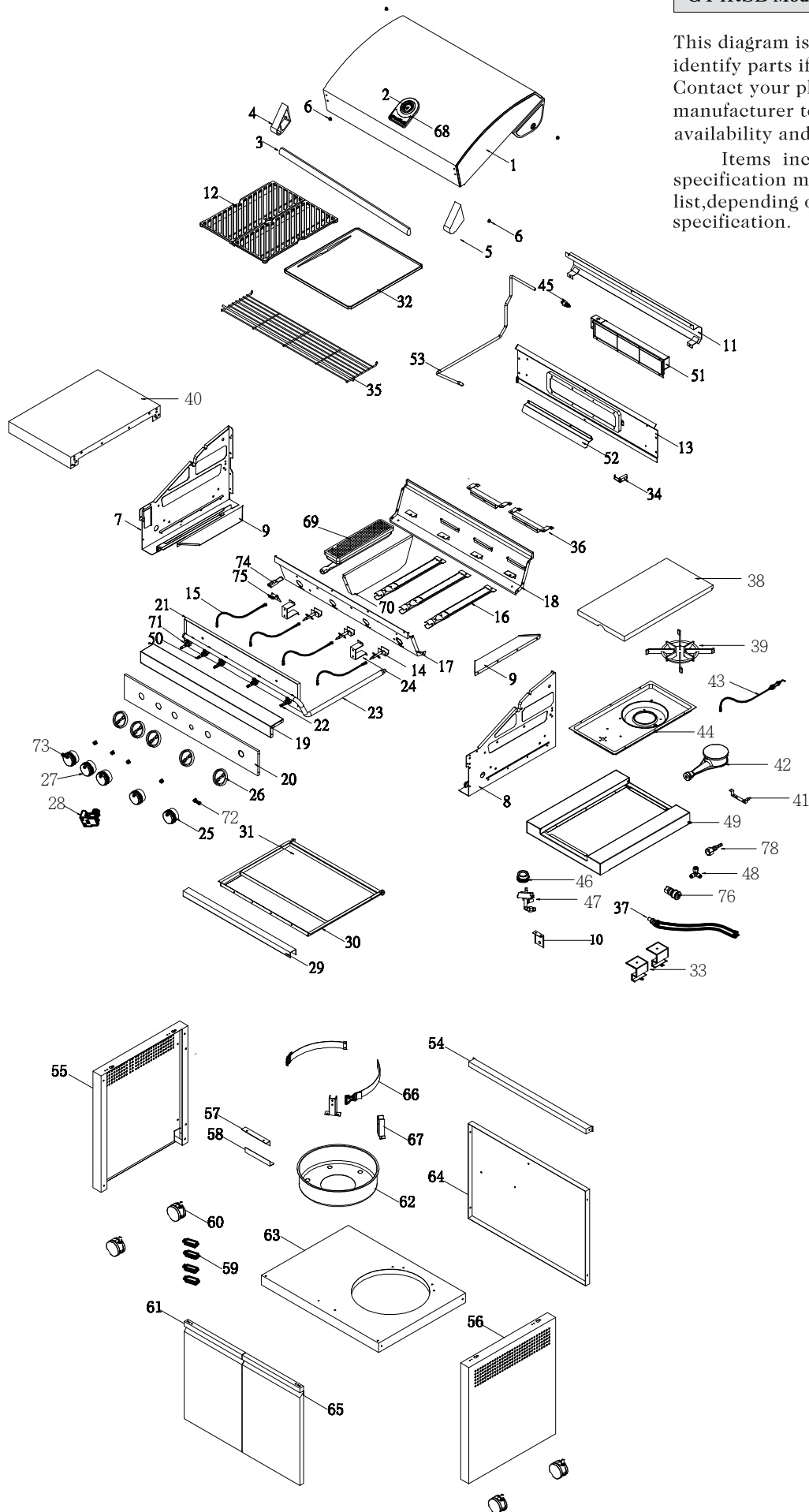
## PART LIST - GT4RSB

Ref	Description	Part No.	Qty	Ref	Description	Part No.	Qty
1	Lid Assembly	P0014742FJ	1	40	Side Shelf, Left	P011020684	1
2	Temperature Gauge	P00601484C	1	41	Side Burner Mounting Brakcet	P03327024D	1
3	Lid Handle	P00218014R	1	42	Side Burner	P02004043F	1
4	Lid Handle Seat (Left)	P03303124A	1	43	Electrode- Side Burner	P02607060C	1
5	Lid Handle Seat (Right)	P03303125A	1	44	Side Shelf Body	P011030612	1
6	Lid Rubber Pad	P05518002I	4	45	Rear Burner Valve Orifice-30mbar	P06531001A	1
7	Bowl Panel, Left	P00761164A	1	46	Control Knob - side burner	P03408101L	1
8	Bowl Panel, Right	P00762154A	1	47	Valve- Side Burner	P03250007G	1
9	Bowl Grease Shield	P06901030B	2	48	Adaptor-1/4 LH inlet	P03904002A	1
10	Burner Bracket-Side Burner	P03303150U	1	49	Side Shelf Trim Plate	P011260244	1
11	Heat Shield- Rear Burner	P06905080B	1	50	Valve - Rear Burner- without jet	P03239013A	1
12	Grill Plate	P01615052H	2	51	Rear Burner Body Set	P02007072A	1
13	Bowl Wind Shield	P0074805UA	1	52	Wind Shield - Rear Burner	P069060824	1
14	Gas Collector Box with Electrode	P02609055A	3	53	Aluminum tube- Rear Burner	P03717065B	1
15	Electric Wire Set	P02615197A	1Set	54	Cart Bracket, Front	P033010766	1
16	Main Burner	P02008085B	3	55	Trolley Panel, Left	P07617052V	1
17	Bowl Panel, Front	P0076307GA	1	56	Trolley Panel, Right	P07618055V	1
18	Bowl Panel, Rear	P0076023GA	1	57	Door guide - upper	P05510145E	1
19	Upper control Panel-30mbar	P81109332J	1	58	Door guide - lower	P05510141E	1
	Upper control Panel-50mbar	P81109333J	1	59	Magnet seat	P05523001K	4
20	Control Panel	P0291594BE	1	60	2.5" caster	P05118004A	4
21	Gas Valve Heat Shield	P0300819DG	1	61	Door-L	P043020632	1
22	Main Valve-without jet	P03239012A	3	62	Gas cylinder housing	P04021013H	1
23	Manifold	P05006162A	1	63	Trolley Bottom Panel	P01004092Z	1
24	Gas Valve Heat Shield Bracket	P03327107A	2	64	Trolley Panel, Rear	P07624005V	1
25	Control knob - main burner	P03401477K	3	65	Door-R	P043030632	1
26	Knob Seat	P03415014S	5	66	Tank Fastening Strap	P05314005V	1
27	Control knob - Back burner	P03436147A	1	67	Tank holder	P04009036C	2
28	Electric Ignitor	P02502265C	1	68	Name plate	P00407036A	1
29	Grease Tray Handle	P00213039M	1	69	Searing Burner	P02005032A	1
30	Grease Tray Holder Bracket	P03327111D	1	70	Searing Burner Heat Shield	P06906096A	1
31	Grease Tray	P02717837D	1	71	Searing Valve-without jet	P032480095	1
32	Hotplate	P05701047H	1	72	Knob Seat Spring	P05504021A	5
33	Side burner hose bracket	P03341002Q	2	73	Control knob - Searing burner	P03436147A	1
34	Electrode- Rear Burner	P02614025A	1	74	Searing Burner Electrode	P02614061A	1
35	Warming Rack	P01516030K	1	75	Searing Burner Electrode Bracket	P033271154	1
36	Crossfire box	P022123984	2	76	Quick connect , female	P03912001A	1
37	Quick connect with hose, male	P03711041I	1	78	Universal Hose Bar -1/4 LH inlet	P03901024A	
38	Side Shelf Lid	P0011555E4	1		<b>Hardware Pack</b>	P06003196A	1
39	Side Shelf Pot Support	P00815008A	1				

**GT4RSB Model**

This diagram is provided to assist you identify parts if replacement is necessary. Contact your place of purchase or the manufacturer to inquire about parts, availability and service.

Items included in your barbecue specification may differ from the parts list, depending on region or specific dealer specification.



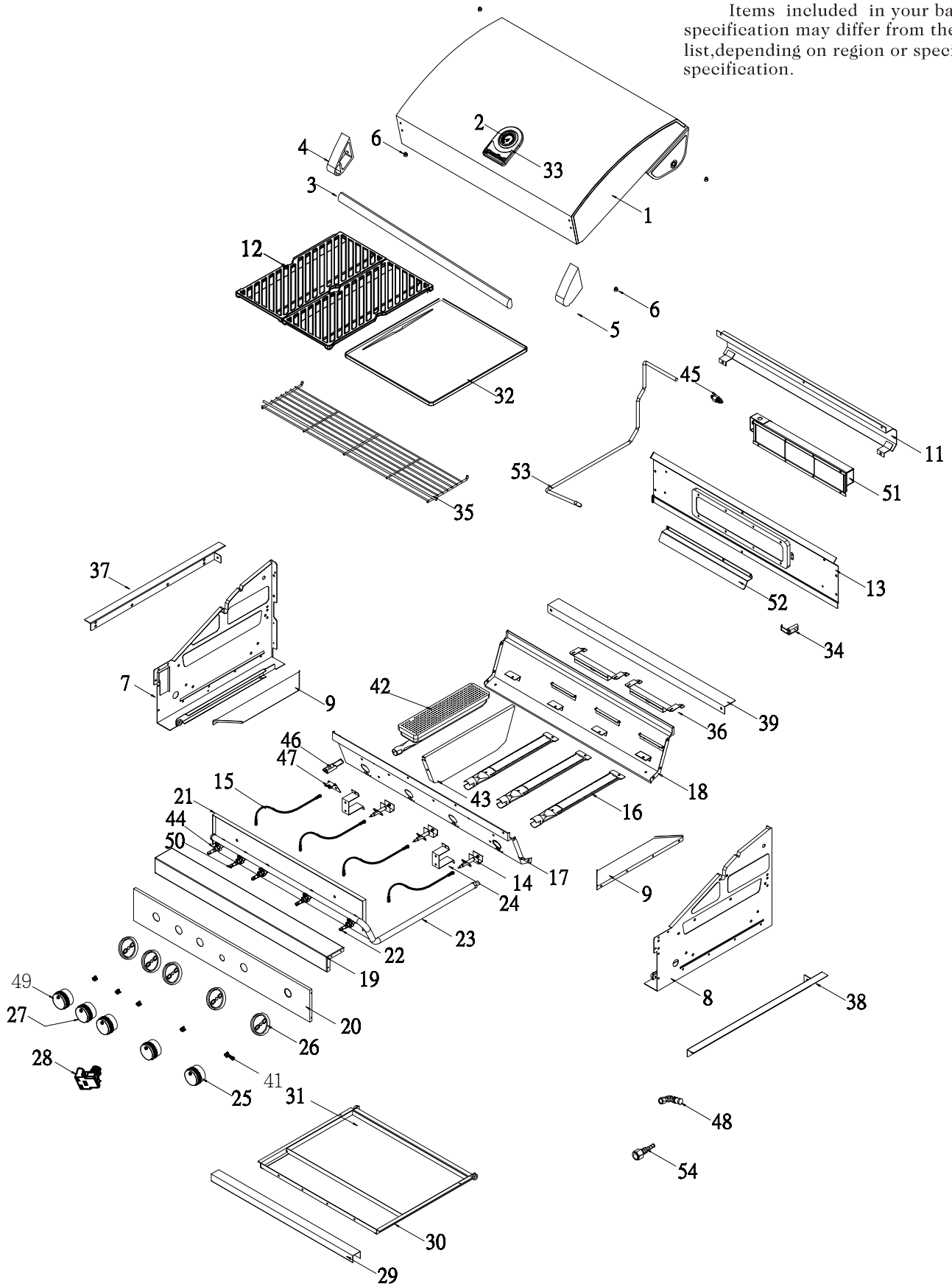
## PART LIST - GT4RB

<i>Ref</i>	<i>Description</i>	<i>Part No.</i>	<i>Qty</i>
1	Lid Assembly	P0014742FJ	1
2	Temperature Gauge	P00601484C	1
3	Lid Handle	P00218014R	1
4	Lid Handle Seat (Left)	P03303124A	1
5	Lid Handle Seat (Right)	P03303125A	1
6	Lid Rubber Pad	P05518002I	4
7	Bowl Panel, Left	P00761274A	1
8	Bowl Panel, Right	P00762264A	1
9	Bowl Grease Shield	P06901030B	2
11	Heat Shield- Rear Burner	P06905080B	1
12	Grill Plate	P01615052H	2
13	Bowl Wind Shield	P0074805UA	1
14	Gas Collector Box with Electrode	P02609055A	3
15	Electric Wire Set	P02615197A	1Set
16	Main Burner	P02008085B	3
17	Bowl Panel, Front	P0076307GA	1
18	Bowl Panel, Rear	P0076023GA	1
19	Upper control Panel-30mbar	P81109332J	1
	Upper control Panel-50mbar	P81109333J	1
20	Control Panel	P0291595BE	1
21	Gas Valve Heat Shield	P0300819DG	1
22	Main Valve-without jet	P03239012A	3
23	Manifold	P05006162A	1
24	Gas Valve Heat Shield Bracket	P03327107A	2
25	Control knob - main burner	P03401477K	3
26	Knob Seat	P03415014S	5
27	Control knob - Back burner	P03436147A	1
28	Electric Ignitor	P02502265C	1
29	Grease Tray Handle	P00213039M	1
30	Grease Tray Holder Bracket	P03327111D	1
31	Grease Tray	P02717837D	1
32	Hotplate	P05701047H	1
33	Name plate	P00407036A	1
34	Electrode- Rear Burner	P02614025A	1
35	Warming Rack	P01516030K	1
36	Crossfire box	P022123984	2
37	Bowl support bracket- Left	P075140614	1
38	Bowl support bracket- Right	P075140624	1
39	Bowl support bracket- Rear	P075150264	1
41	Knob Seat Spring	P05504021A	5
42	Searing Burner	P02005032A	1
43	Searing Burner Heat Shield	P06906096A	1
44	Searing Valve-without jet	P032480095	1
45	Searing Valve Orifice-30mbar	P06517063A	1
46	Searing Burner Electrode	P02614061A	1
47	Searing Burner Electrode Bracket	P033271154	1
48	Adaptor-1/4 LH inlet	P03902031A	1
49	Control knob - Searing burner	P03436147A	1
50	Valve - Rear Burner- without jet	P03239013A	1
51	Rear Burner Body Set	P02007072A	1
52	Wind Shield - Rear Burner	P069060824	1
53	Aluminum tube- Rear Burner	P03717065B	1
54	Adaptor-1/4 LH inlet	P03902031A	1
	Hardware Pack	P06027003A	1

GT4RB Model

This diagram is provided to assist you identify parts if replacement is necessary. Contact your place of purchase or the manufacturer to inquire about parts, availability and service.

Items included in your barbecue specification may differ from the parts list, depending on region or specific dealer specification.





## PART LIST - 4B-Island

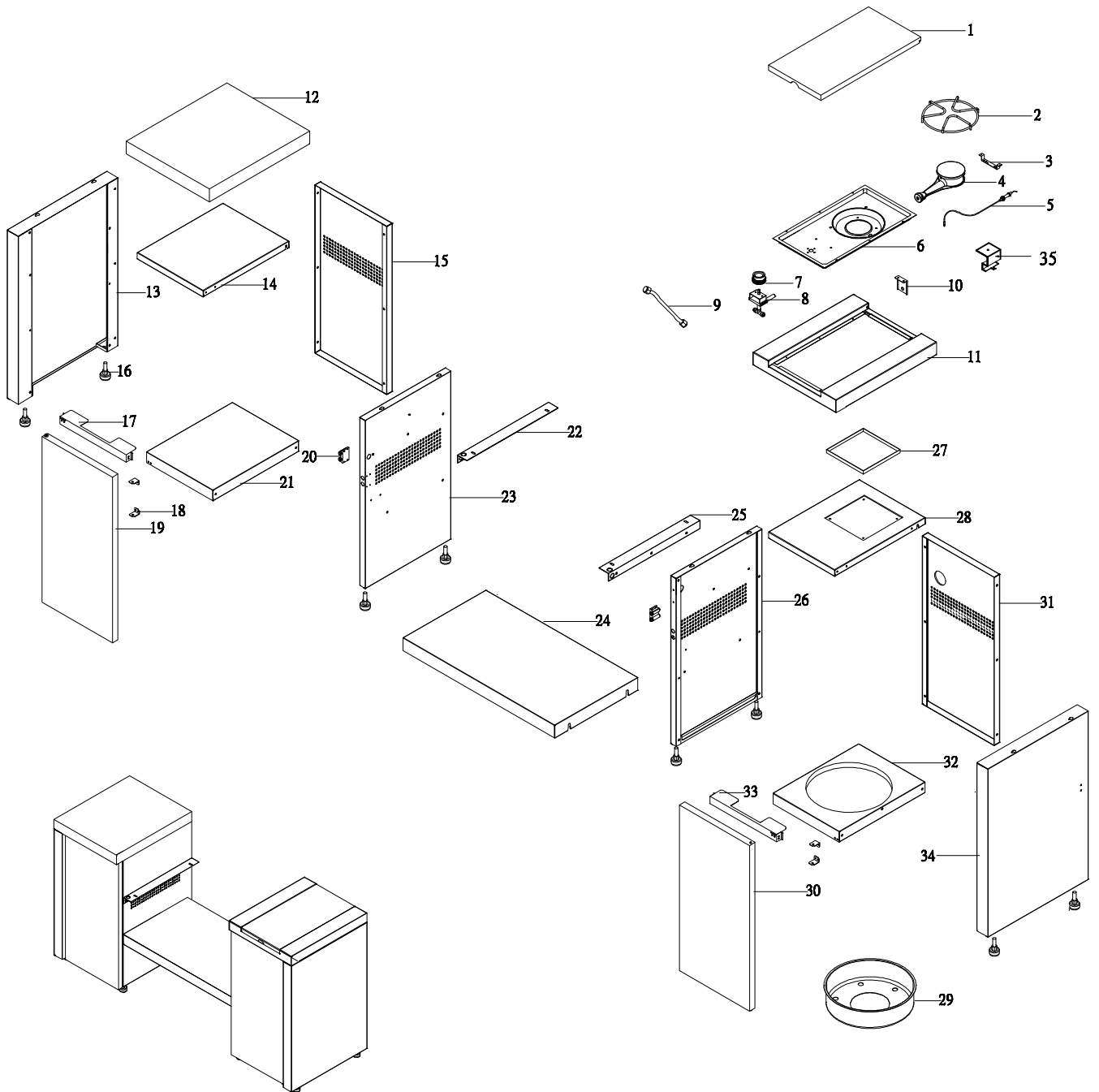
<i>Ref</i>	<i>Description</i>	<i>Part No.</i>	<i>Qty</i>
1	Side Shelf Lid	P0011555E4	1
2	Side Shelf Pot Support	P00805010B	1
3	Side Burner Mounting Brakcet	P03327024D	1
4	Side Burner	P02004043F	1
5	Electrode- Side Burner	P02607060C	1
6	Side Shelf Body	P011030612	1
7	Control Knob - side burner	P03401467Z	1
8	Valve- Side Burner -1/4 LH inlet	P03250006G	1
9	Hose	P03711039F	1
10	Burner Bracket-Side Burner	P03303150U	1
11	Side Shelf Trim Plate	P011030594	1
12	Side Shelf, Left	P011020674	1
13	Left cabinet - left panel	P076050434	1
14	Left cabinet - storage shelf	P01001097A	1
15	Left cabinet - rear panel	P07702126J	1
16	Level Adjuster	P05322004A	8
17	Left cabinet - front bracket	P03301074A	1
18	Door hinge bracket	P033130492	4
19	Door, Left	P04302062B	1
20	Magnet seat	P05351004B	2
21	Left cabinet - bottom shelf	P01001098A	1
22	Bowl support bracket-left	P033050992	1
23	Left cabinet - right panel	P07605042D	1
24	Partition panel	P010040932	1
25	Bowl support bracket-right	P033051002	1
26	Right cabinet - left panel	P07605048U	1
27	Grease Tray- side burner	P0271808ND	1
28	Right cabinet - storage shelf	P01001107A	1
29	Gas cylinder housing	P04021013H	1
30	Door, Right	P04303062B	1
31	Right cabinet - rear panel	P07606052U	1
32	Right cabinet - bottom shelf	P010011132	1
33	Right cabinet - front bracket	P033010752	1
34	Right cabinet - right panel	P076060474	1
35	Side burner hose bracket	P03341002Q	1
	Hardware Pack	P06028032A	1



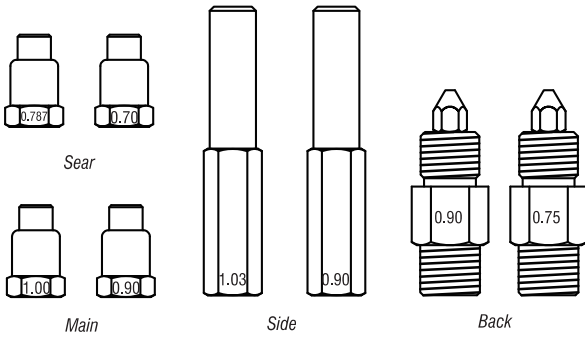
**4B-Island Model**

This diagram is provided to assist you identify parts if replacement is necessary. Contact your place of purchase or the manufacturer to inquire about parts, availability and service.

Items included in your barbecue specification may differ from the parts list, depending on region or specific dealer specification.



## INJECTOR

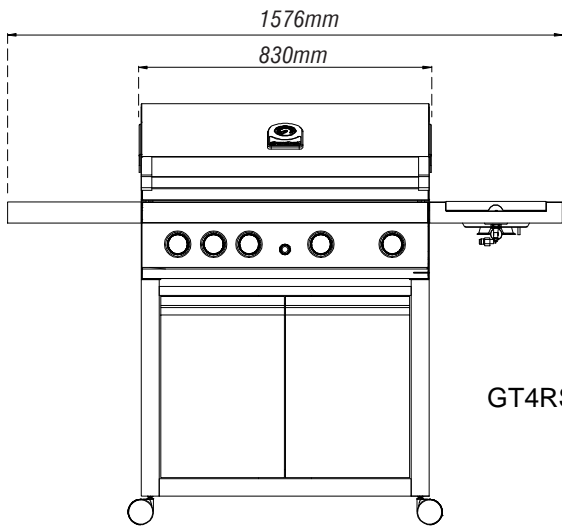


•Main	1.00 mm	- I 3+ (28-30/37)
		- I 3B/P (30)
•Side	0.90 mm	- I 3B/P (50)
	1.03 mm	- I 3+ (28-30/37)
•Back	0.90 mm	- I 3B/P (50)
	0.90mm	- I 3+ (28-30/37)
•Sear	0.787 mm	- I 3+ (28-30/37)
	0.70 mm	- I 3B/P (50)

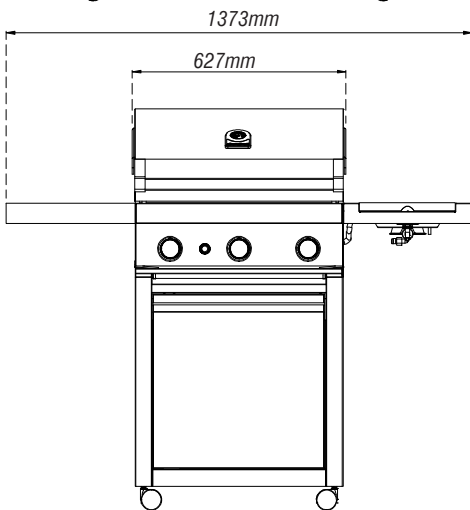
## INPUT

•Main	3 burner	12.6 kW	- 915 grams / h
	4 burner	16.8 kW	- 1220 grams / h
•Side		4.4 kW	- 319 grams / h
•Back		3.2 kW	- 232 grams / h
•Sear		2.5 kW	- 182 grams / h

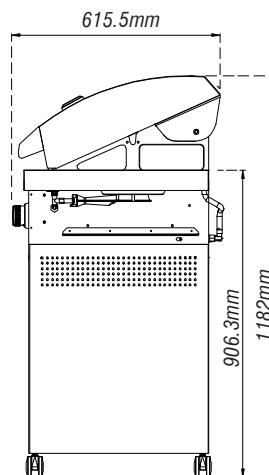
## DIMENSIONS



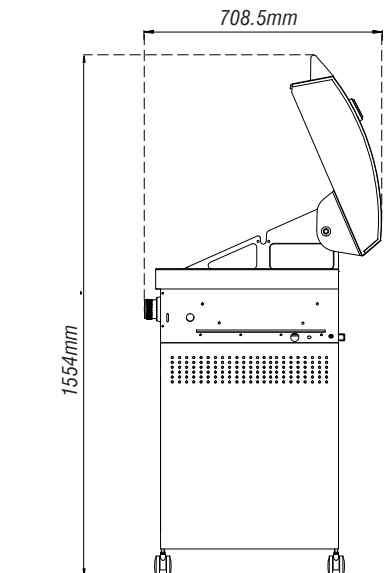
GT4RSB



GT3RS

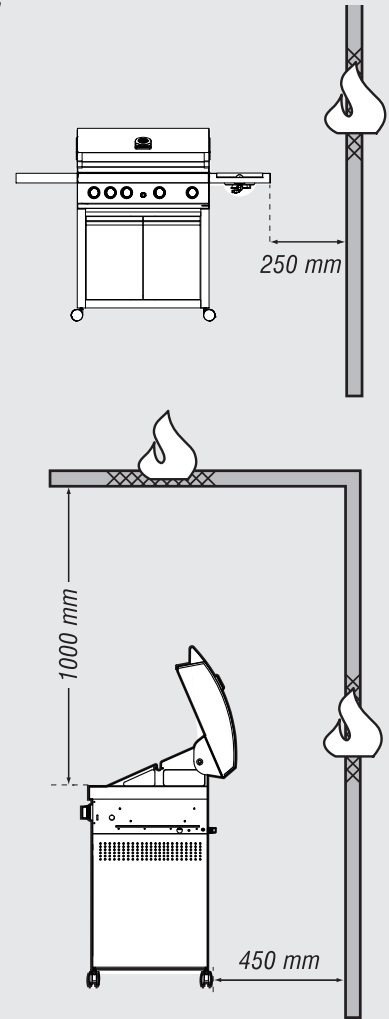


GT4RS/GT3RS

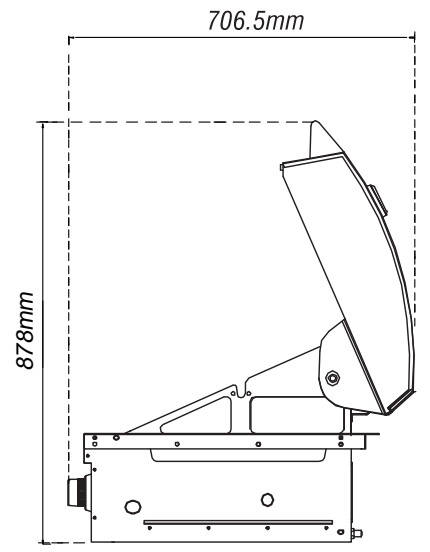
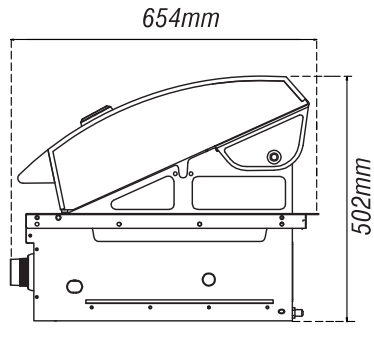
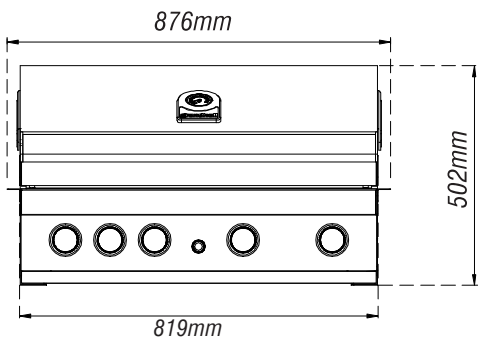


## WARNINGS INFORMATION

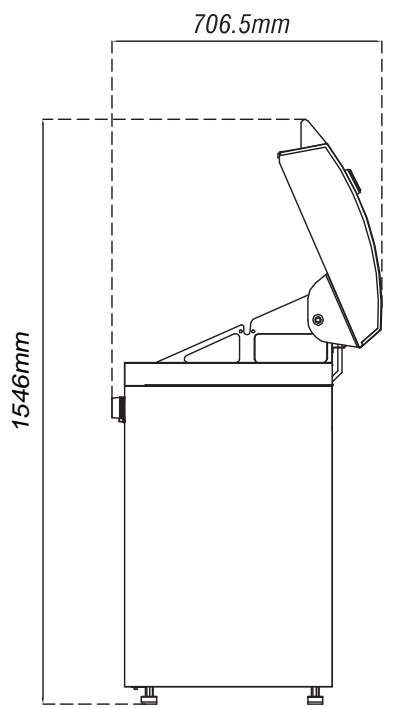
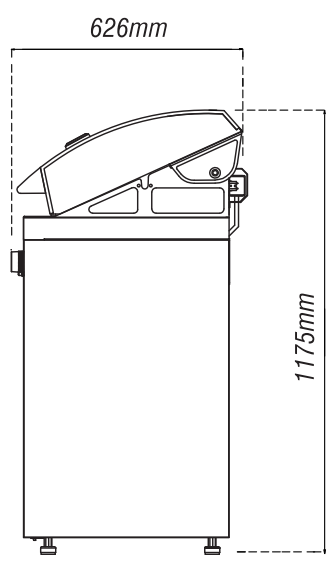
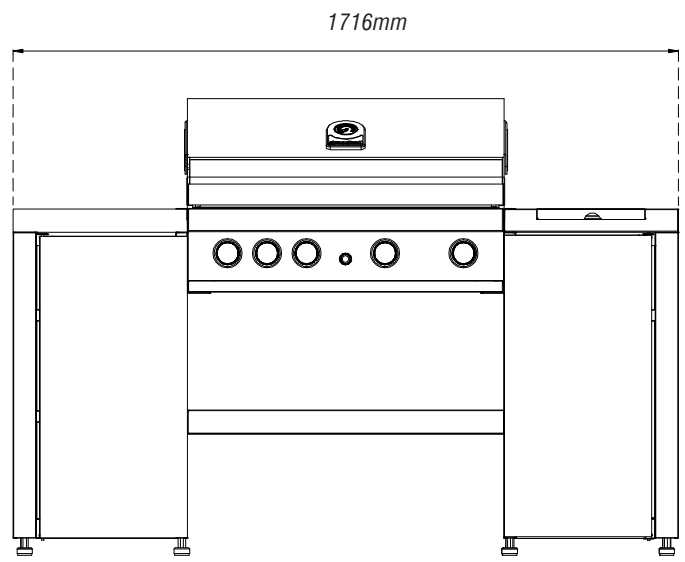
- **MINIMUM CLEARANCES FROM COMBUSTIBLE MATERIALS MUST BE:**  
**REAR - 450 mm**  
**SIDES - 250 mm**  
**TOP - 1000 mm**



**DIMENSIONS**



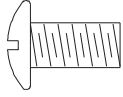
GT4RB



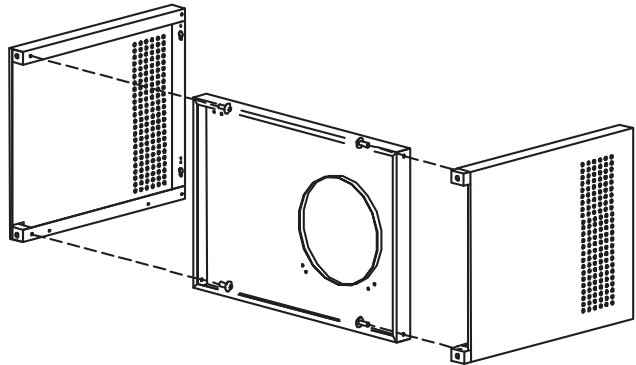
GT4RB + 4B island

**ASSEMBLY - GT3RS/GT4RSB**

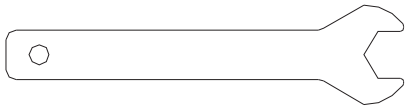
**1. Install Trolley Side Panels onto Trolley Bottom Shelf**



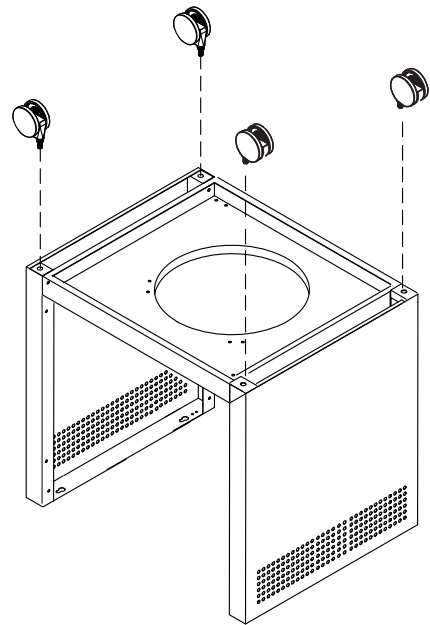
Phillips Head Screw 1/4"x1/2"  
Qty.4



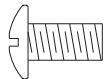
**2. Install Casters**



Spanner  
Qty.1



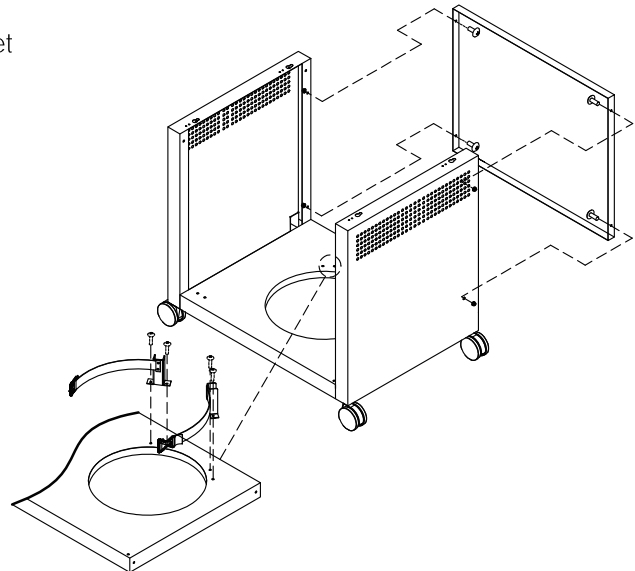
**3. Install Trolley Rear Panel and gas cylinder bracket**



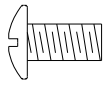
Phillips Head Screw 3/16"x3/8"  
Qty.8



Flange Nut 3/16"  
Qty.4



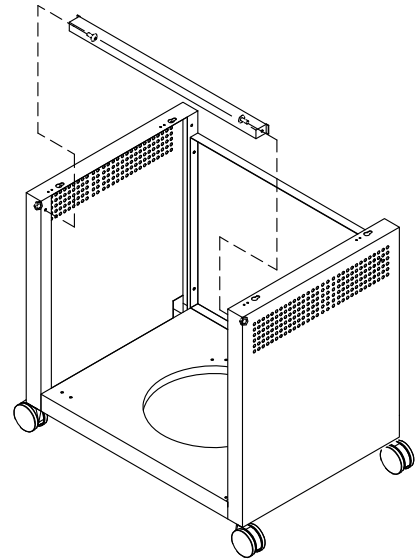
4. Install Door Bracket



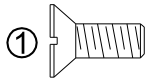
Phillips Head Screw 3/16"x3/8"  
Qty.2



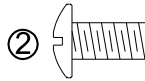
Flange Nut 3/16"  
Qty.2



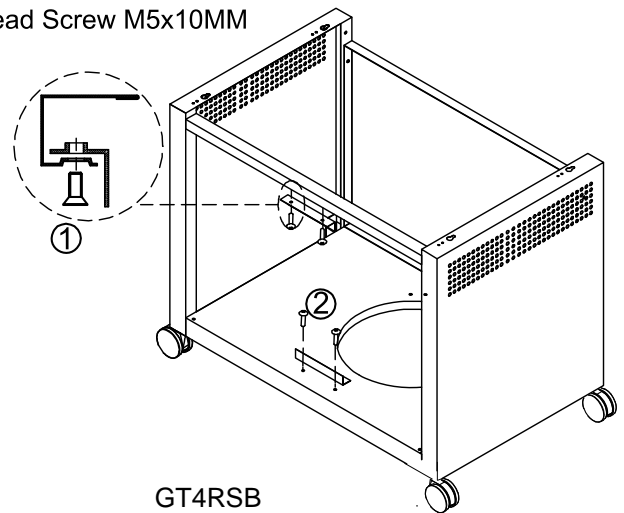
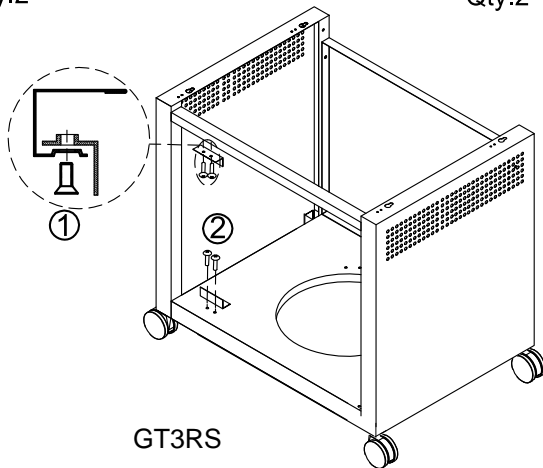
5. Install Door Stop Plate



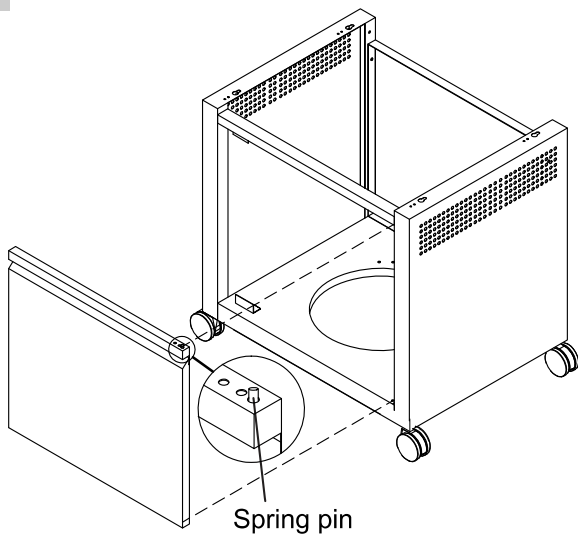
Countersunk Flat Head Screw 3/16"x3/8"  
Qty.2



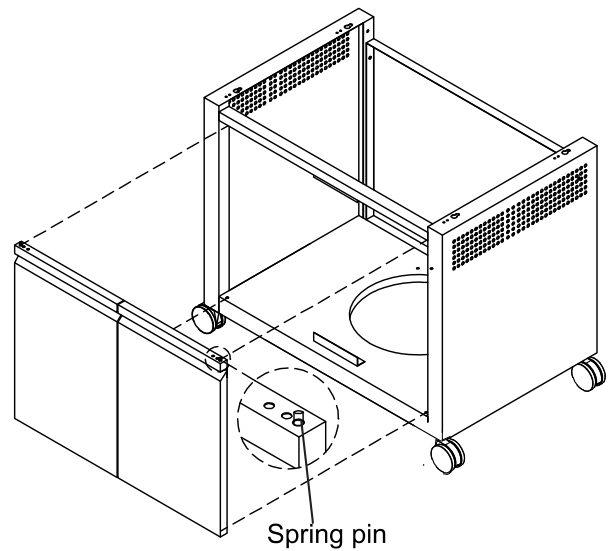
Phillips Head Screw M5x10MM  
Qty.2



6. Install Doors



GT3RS

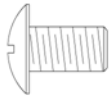


GT4RSB

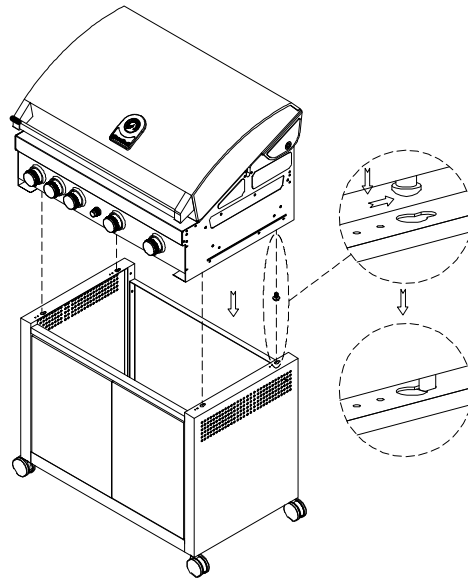
**ASSEMBLY - GT4RSB**

**7. Install The Barbecue head to the trolley**

- Note: Installation requires two persons Remove all componets from the barbecue head.
- Partially install the screws to the underside of the barbecue
- Locate the screw head into the keyholes on the top face of the trolley side panels, slide back to lock into position, tighten screws.



Phillips Head Screw 1/4"x1/2"  
Qty.4



**8. Install Side Shelf/Side Burner**



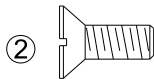
Phillips Head Screw  
1/4"x1/2"  
Qty.4



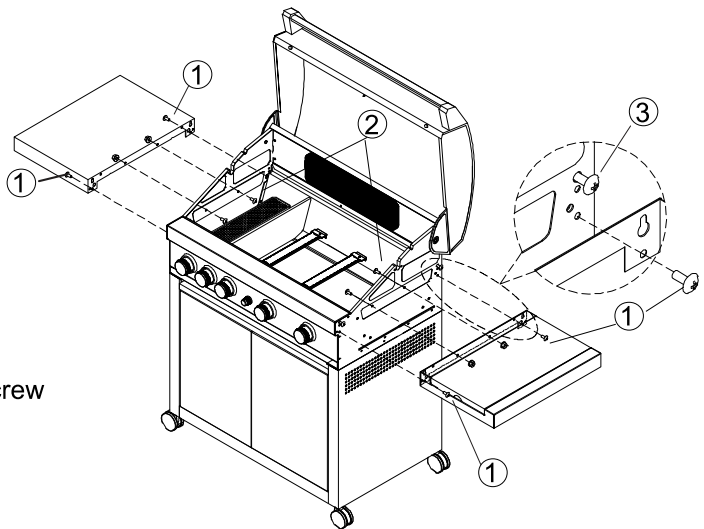
Phillips Head Screw  
3/16"x1/2"  
Qty.4



Flange Nut 1/4"  
Qty.4

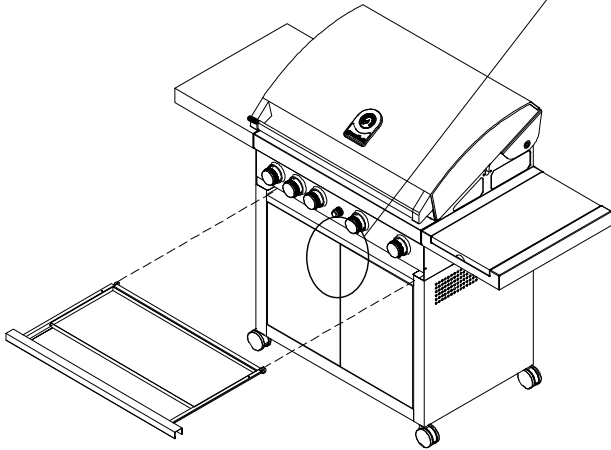


Countersunk Flat Head Screw  
1/4"x1/2"  
Qty.4



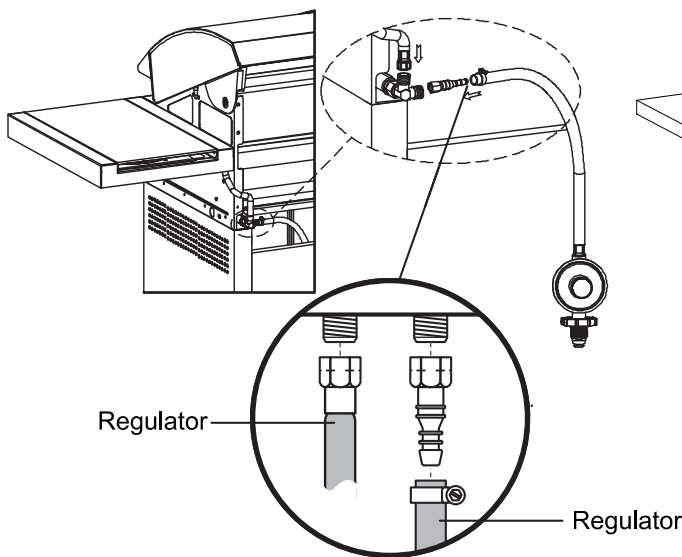
NOTE:TIGHTEN ALL SCREWS.

9. Install Grease Tray

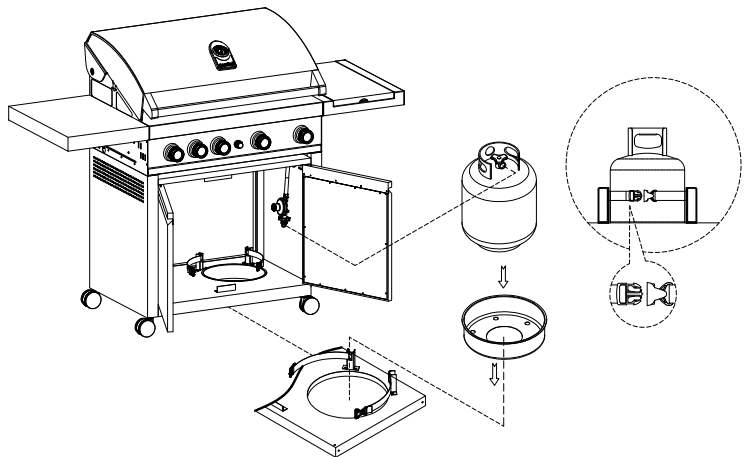


**Note:** If the top of the doors don't line up, adjustment may be made by adjusting the casters. Slightly unscrew one of the front casters and note the movement in the top of the doors. If the alignment become worse, screw back the caster and adjust the caster on the other side. The diagonally opposite casters may also be used if extra adjustment is required. Re-adjustment may be required if the barbecue is shifted to a different location.

10. Connect Side Burner Hose and install Regulator



11. Install Gas cylinder seat and Gas Cylinder



**WARNINGS INFORMATION**

**(GB)** DO NOT OBSTRUCT THE VENTILATION OPENINGS IN THE TROLLEY.

**(FR)** NE PAS BOUCHER LES OUVERTURES DE VENTILATION DANS LE CHARIOT.

**(DE)** NICHT DIE VENTILATIONSÖFFNUNGEN IM WAGEN BLOCKIEREN.

**(IT)** NON OSTRUIRE LE APERTURE DI VENTILAZIONE DEL CARRELLO.

**(SI)** NE OVIRAJTE PREZRAČEVALNE ODPRTINE V VOZICKU.

**(NL)** DE VENTILATIEOPENINGEN IN DE TROLLEY NIET BLOKKEREN.

**(SE)** BLOCKERA EJ VENTILATIONSHÅLEN I GRILLBAREN.

**(FI)** KÄRRYIN TUULETUSAUKOJA EI SAA PEITTÄÄ.

**(ES)** NO OBSTRUYA LAS ABERTURAS DE VENTILACIÓN DEL CARRITO.

**(PT)** NÃO OBSTRUA AS ABERTURAS DE VENTILAÇÃO NO TRÔLEI.

**(DK)** VENTILATIONSÅBNINGEN I TROLLEYEN MÅ IKKE SPÆRRES.

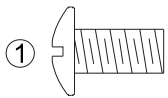
**(NO)** VENTILASJONSÅPNINGENE PÅ TRALLEN MÅ IKKE TILDEKKES.

**(HR)** NE BLOKIRAJTE OTVORE VENTILACIJE U KOLICIMA.

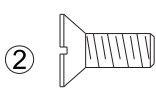


**ASSEMBLY - GT4RB**

1. Install the Trim brackets Left and Right & Rear



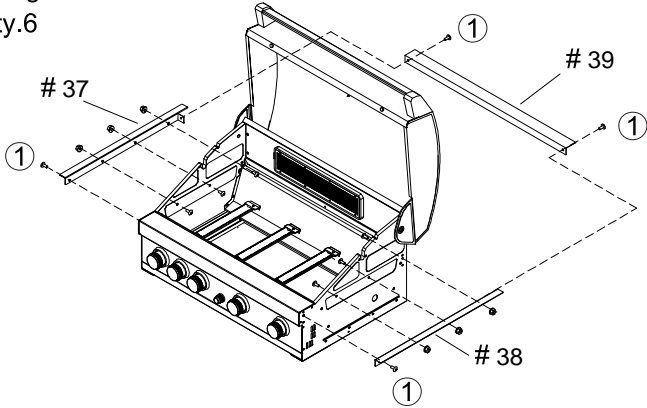
Phillips Head Screw  
1/4"x3/8"  
Qty.4



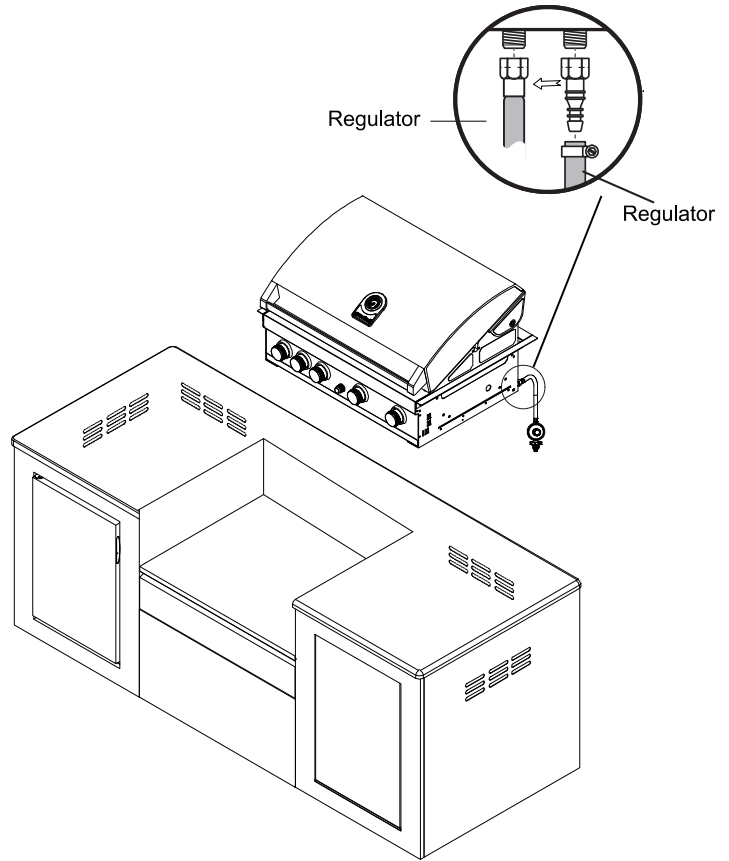
Countersunk Flat Head Screw  
1/4"x3/8"  
Qty.6



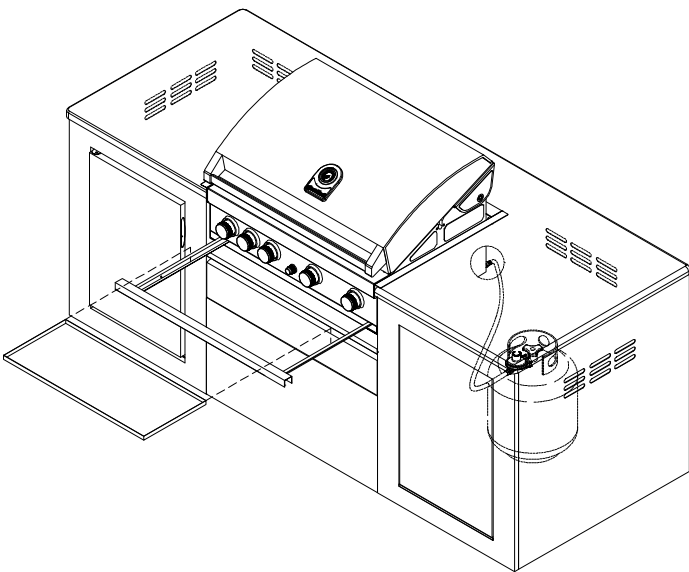
Flange Nut 1/4"  
Qty.6



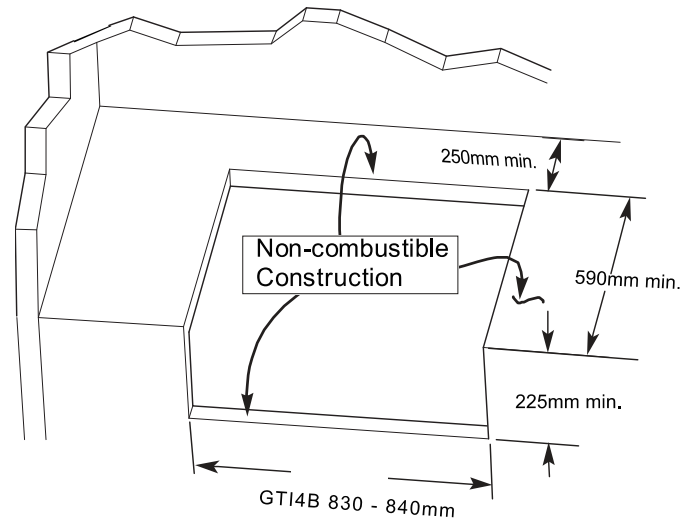
2. Regulator and Install the grill onto the housing .



3. Install Grease Tray



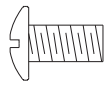
**MOUNTING CUT - OUT**



Note:the above illustration is for example only.

**CAUTION :** To assemble this grill, you should obtain assistance from another person when handling some of the larger and heavier pieces.

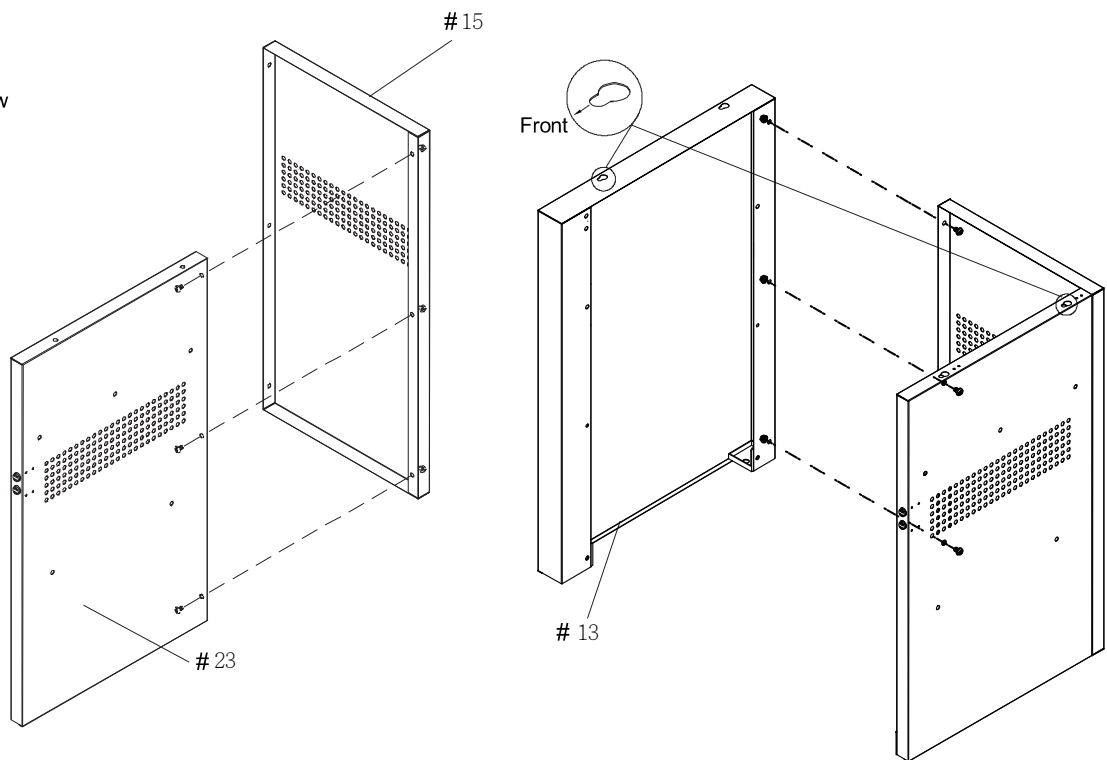
**1 Assemble Left Cabinet Panels**



Phillips Head Screw  
3/16"x3/8"  
Qty. 6



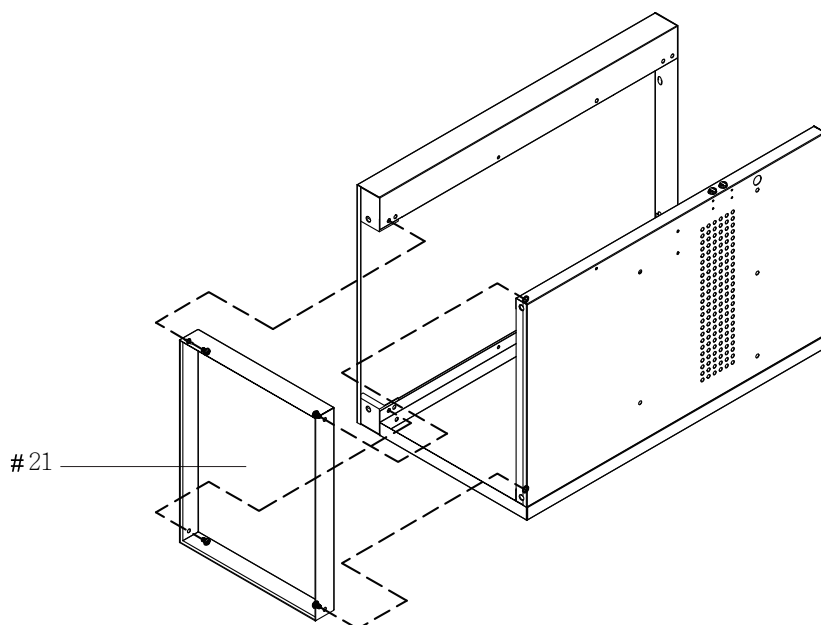
Flange Nut 3/16"  
Qty. 6



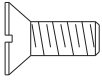
**2 Install Left Cabinet Bottom Shelf**



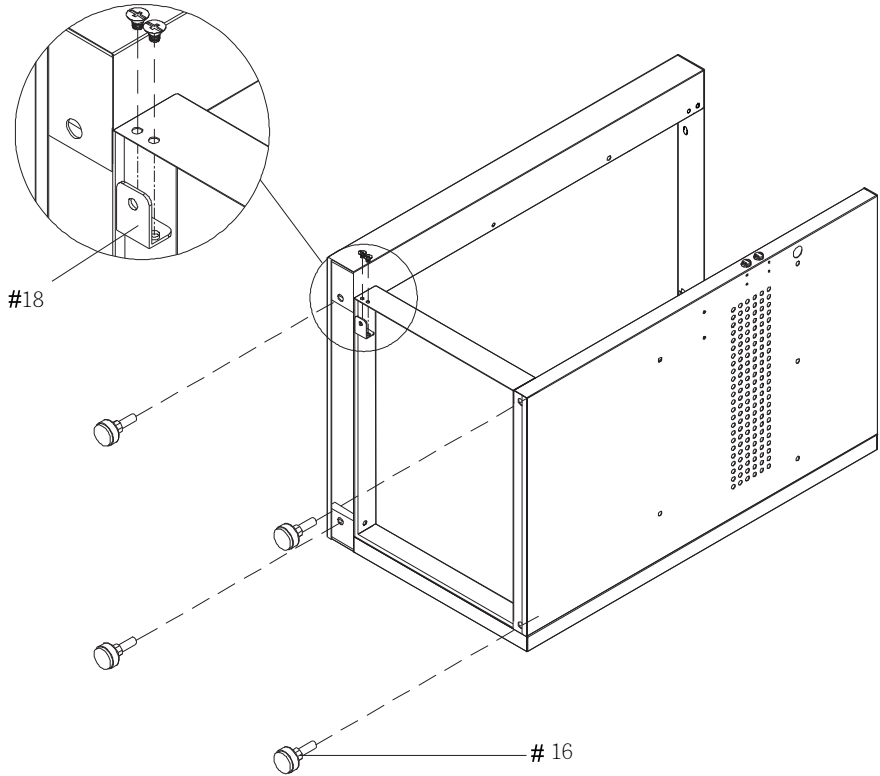
Phillips Head Screw  
1/4"x3/8"  
Qty. 4



### 3 Install Level Adjusters and Door Hinge Bracket onto Left Cabinet

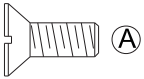


Countersunk Flat Head Screw  
3/16"x1/4"  
Qty. 2

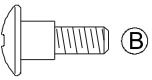


### 4 Install Storage Shelf onto Left Cabinet

- Install 2 Bolts (B) onto the Left and Right Panel, rear and tighten securely using 2 Flange Nuts 3/16".
- Place the Storage Shelf with "U" shaped hole over the screws. See Fig.1
- Align the holes on the Storage Shelf with the holes on the Left and Right Panel, insert 2 Countersunk Flat Head Screws (A) and tighten securely using 2 Flange Nuts 3/16".



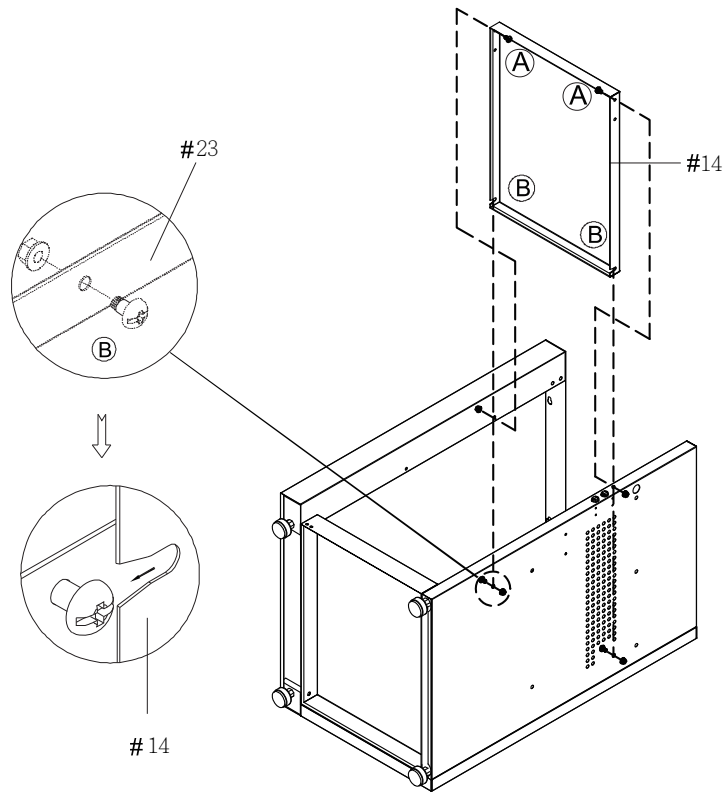
Countersunk Flat Head Screw  
3/16"x3/8"  
Qty. 2



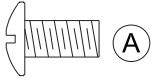
Bolt 3/16"x3/8"  
Qty. 2



Flange Nut 3/16"  
Qty. 4



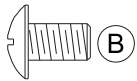
**5 Install Front Bracket, Bowl Support Bracket and Left Side Shelf onto Left Cabinet**



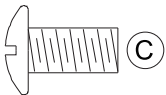
Phillips Head Screw  
3/16"x3/8"  
Qty. 2



Flange Nut 3/16"  
Qty. 2

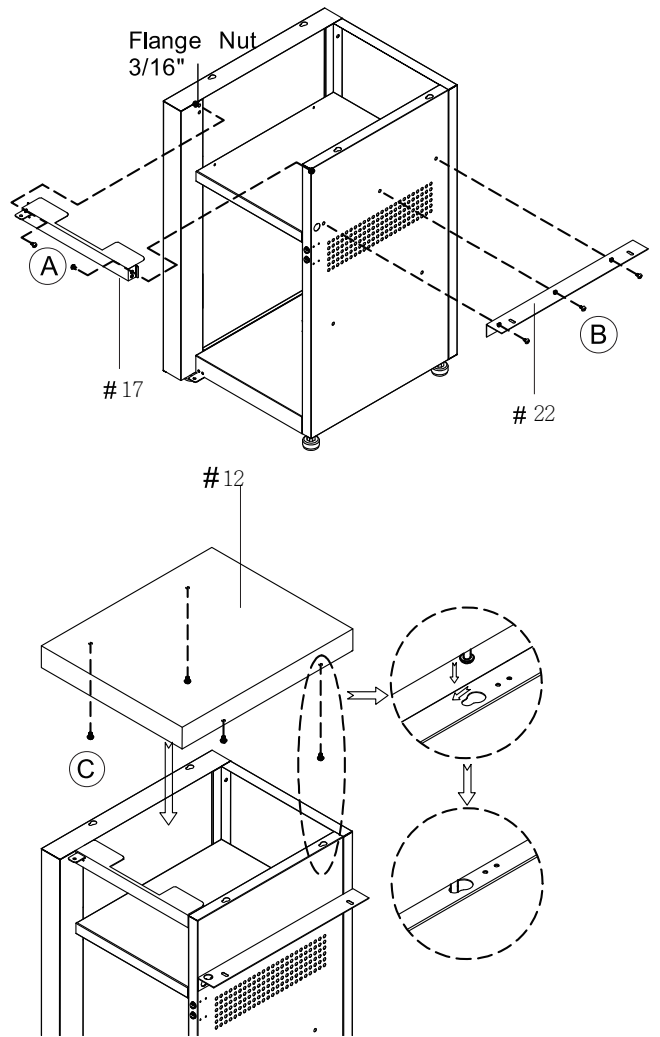


Phillips Head Screw  
1/4"x3/8"  
Qty. 3

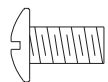


Phillips Head Screw 1/4"x1/2"  
Qty. 4

Note: Tighten all screws.



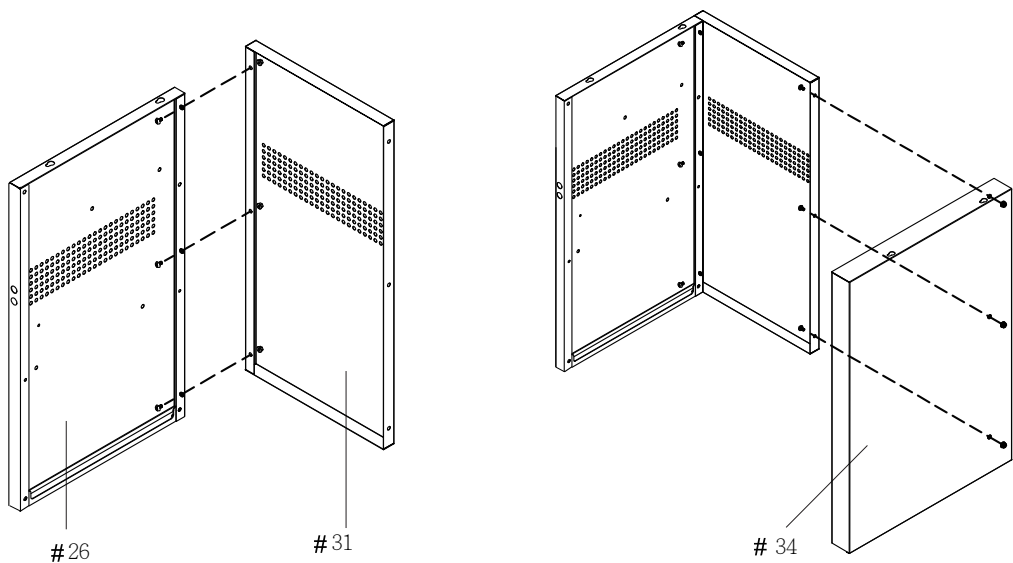
**6 Assembly Right Cabinet Panels**



Phillips Head Screw  
3/16"x3/8"  
Qty. 6



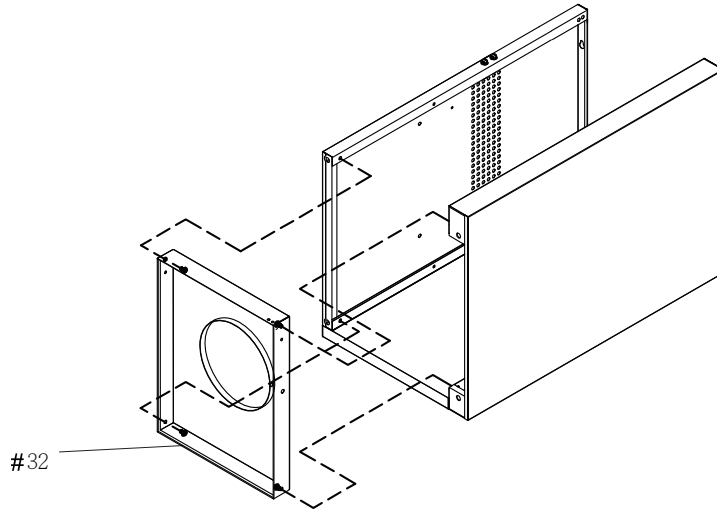
Flange Nut 3/16"  
Qty. 6



**7 Install Right Cabinet Bottom Shelf**



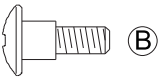
Phillips Head Screw  
1/4"x3/8"  
Qty. 4



**8 Install Level Adjusters Door Hinge Bracket and Storage Shelf onto Right Cabinet**



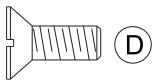
Countersunk Flat Head Screw  
3/16"x1/4"  
Qty. 2



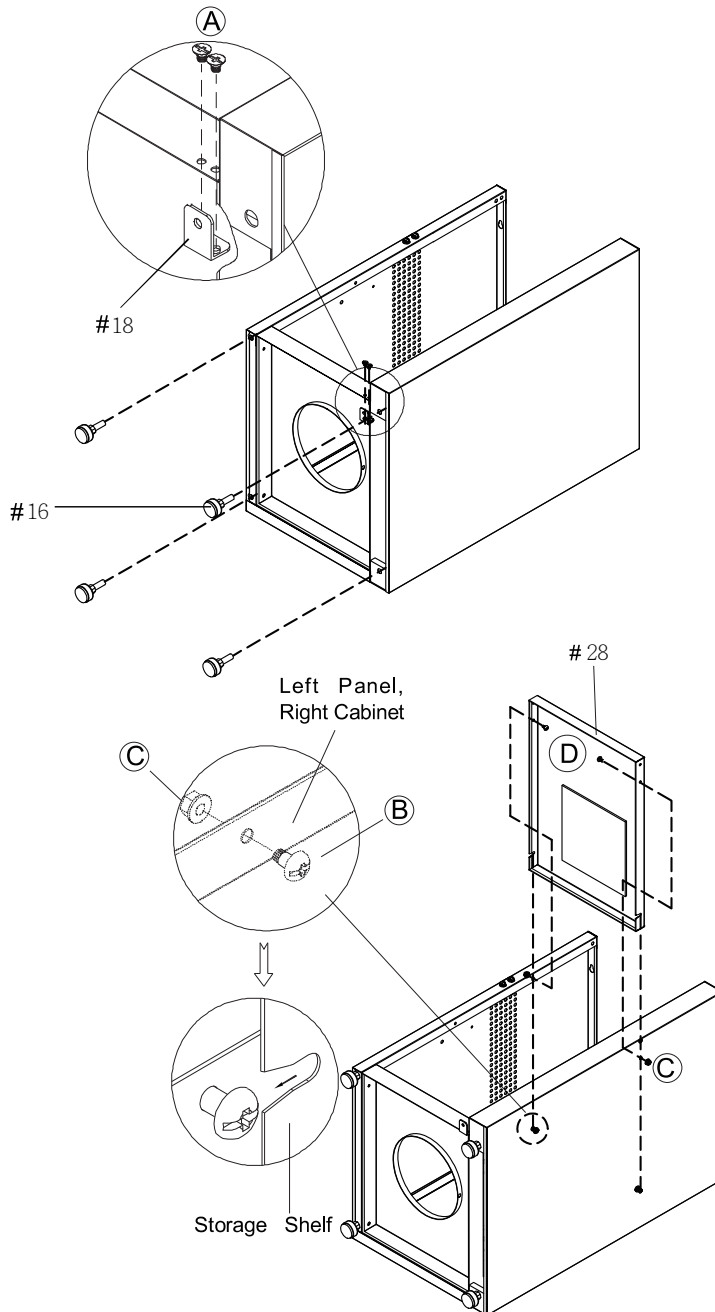
Bolt 3/16"x3/8"  
Qty. 2



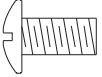
Flange Nut 3/16"  
Qty. 4




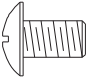
Countersunk Flat Head Screw  
3/16"x3/8"  
Qty. 2

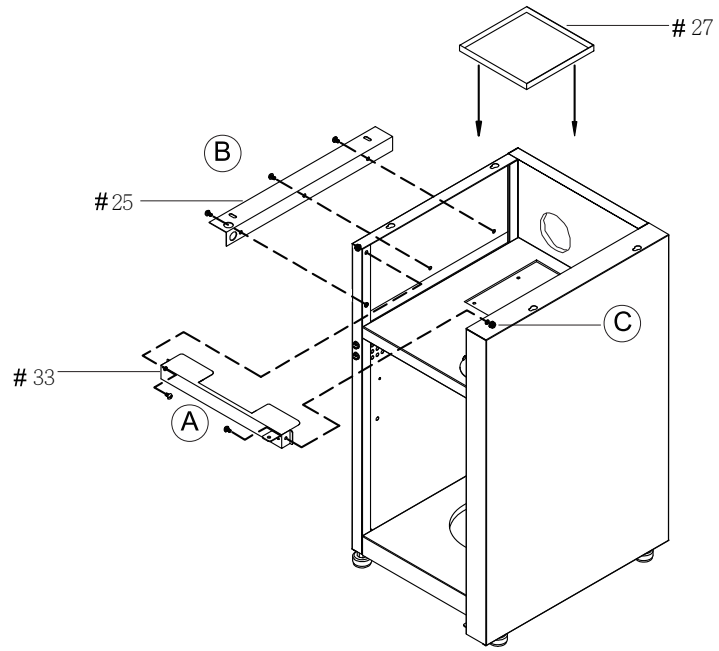


**9-1 Install Front Bracket, Bowl Support Bracket and Tank Holder onto Right Cabinet**

 (A)  
Phillips Head Screw  
3/16"x3/8"  
Qty. 2

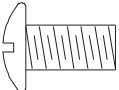
 (C)  
Flange Nut 3/16"  
Qty. 2

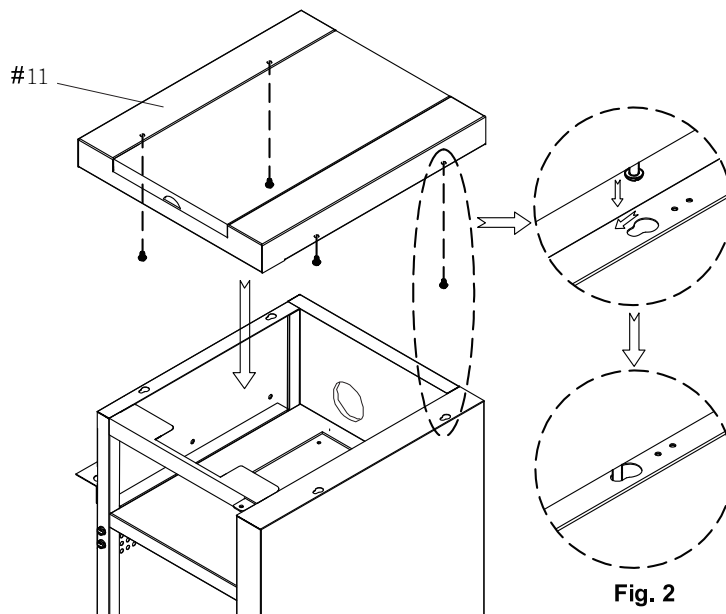
 (B)  
Phillips Head Screw  
1/4"x3/8"  
Qty. 3



Note: Tighten all screws.

**9-2 Install Side Burner Frame**

  
Phillips Head Screw  
1/4"x1/2"  
Qty. 4



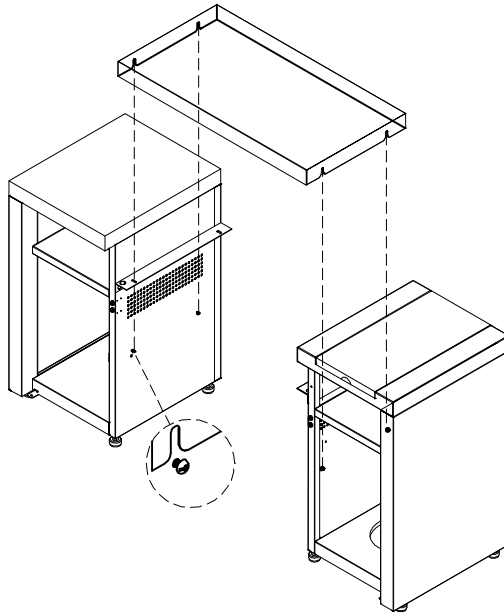
10

**Install Partition Panel and adjust Level adjusters**

- Attach the four(4) Phillips Head Screws 1/4"x3/8" to Left and Right Cabinet panels. Tighten the screws only halfway, then place the Partition Panel over the screws and tighten all the screws securely.



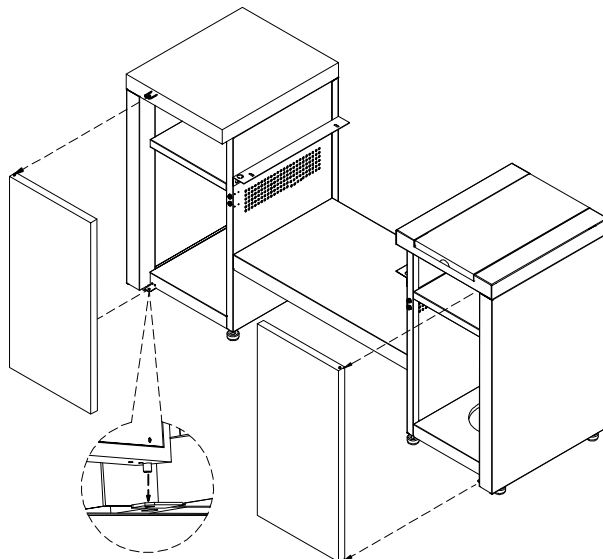
Phillips Head Screw  
1/4"x3/8"  
Qty. 4



11

**Install Doors and Remove Support Bracket**

- Place the Door Assembly into the Upper door bracket, Press the spring lever mechanism at the bottom of the door and position over the lower door bracket opening. Release the spring lever to lock the Door into the Door Lower Bracket.
- Open Right Cabinet Door.





## 12 Install Grill Head and Replace Support Bracket

- If the Cabinet Sets are not level with each other, use the wrench to adjust the level adjusters on the bottom of the Cabinet Side Panels.
  - Turn the adjusters clockwise to raise the height of the Cabinet.
  - Turn the adjusters counterclockwise to lower of the Cabinet.
  - FOR YOUR SAFETY DO NOT TILT your Grill at any time.



Phillips Head Screw 1/4"x1/2"  
Qty 4



Wrench  
Qty. 1



Phillips Head Screw  
1/4"x3/8"  
Qty. 4

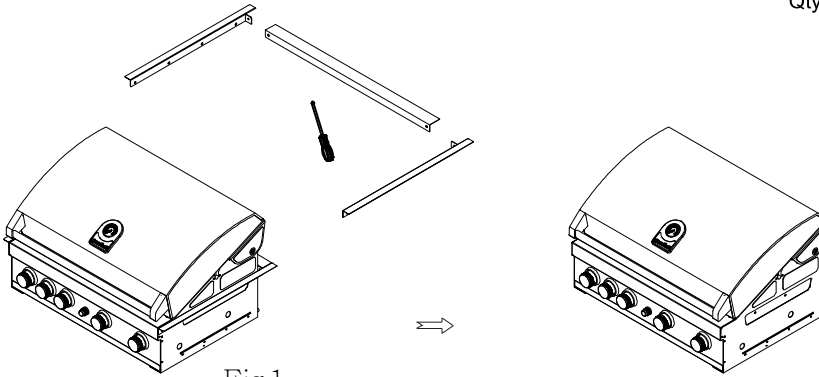


Fig.1

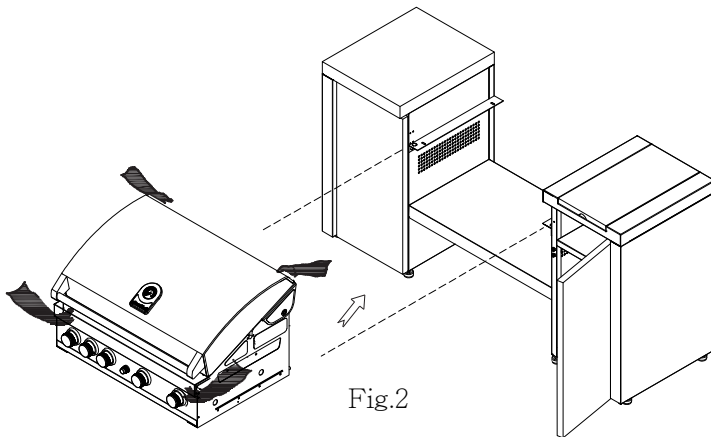


Fig.2

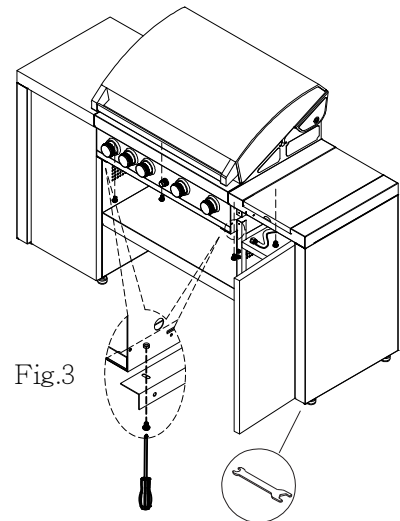


Fig.3

**NOTE:** The hands should be placed on the back top of grill lid and under of upper control panel when lifting the grill head.

**NOTE:** Slide the grill head backward carefully and stop until the front ledge of upper control panel is flush with the front ledge of cabinet sets.

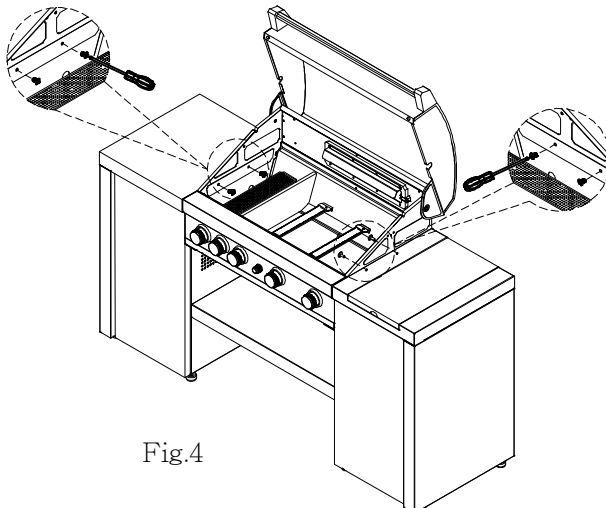
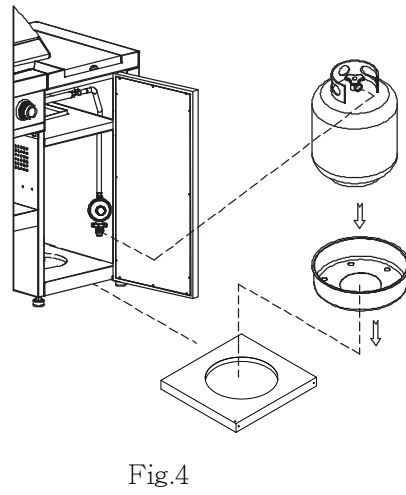
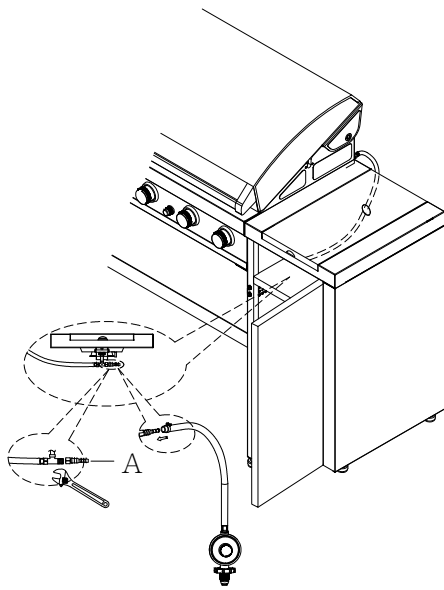
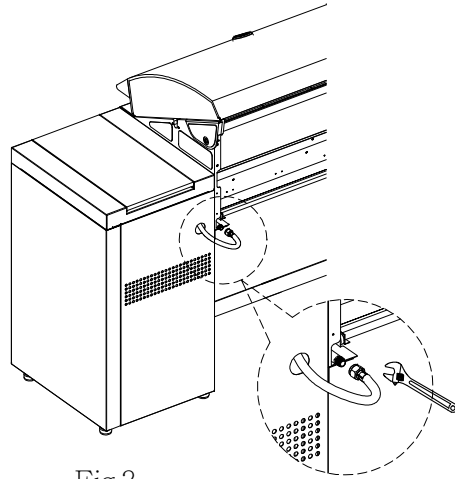
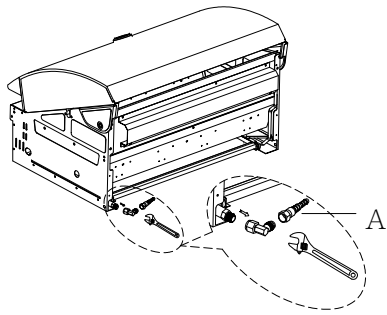
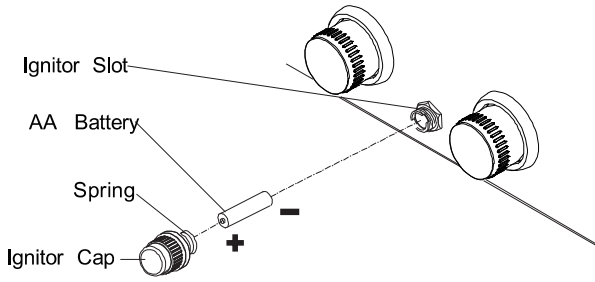


Fig.4

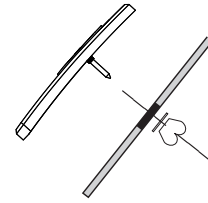
13 Install Side Burner Connection Hose, Regulator, Gas Cylinder Seat and Gas Cylinder



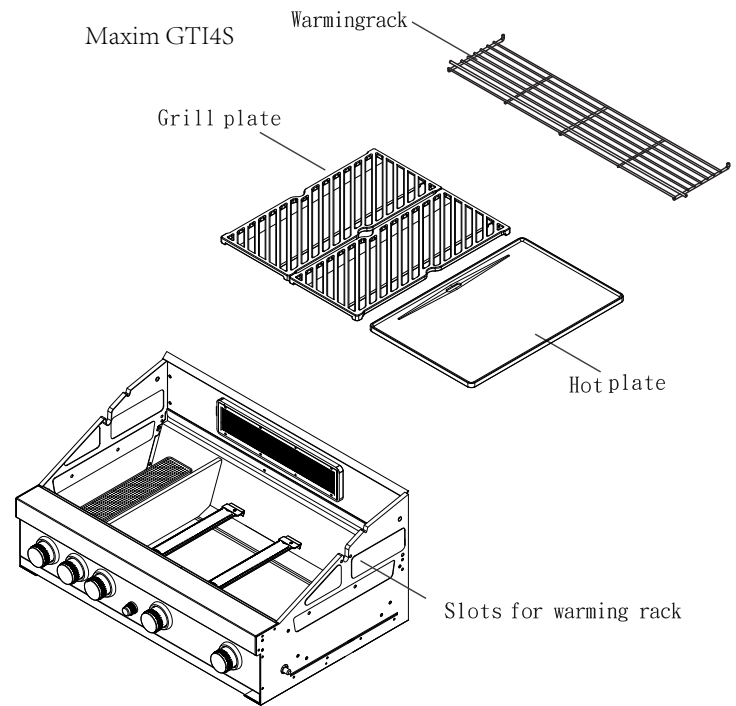
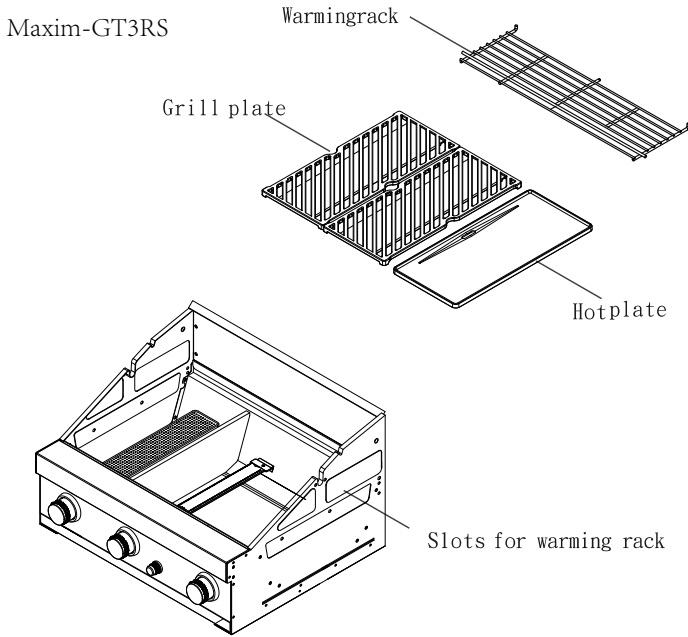
**IGNITION BATTERY**



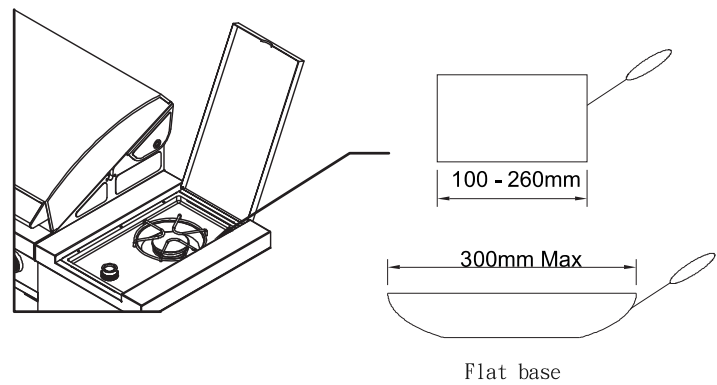
**TEMPERATURE GAUGE**



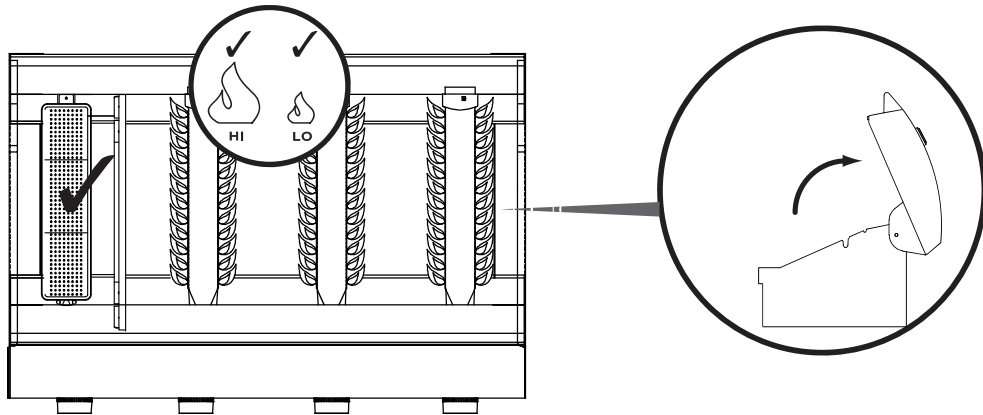
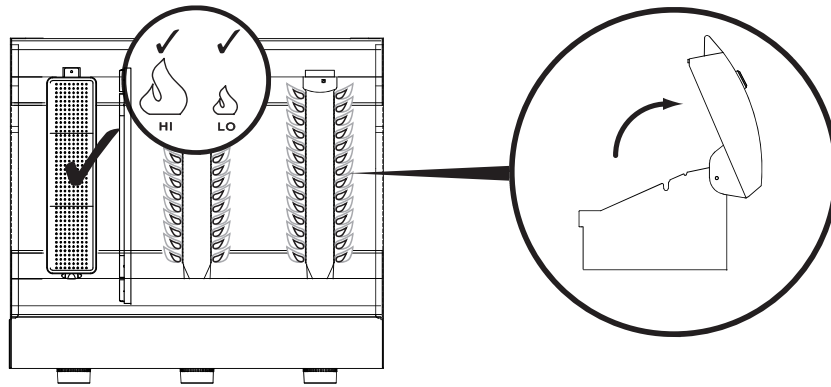
**COOKING COMPONENT INSTALLATION**



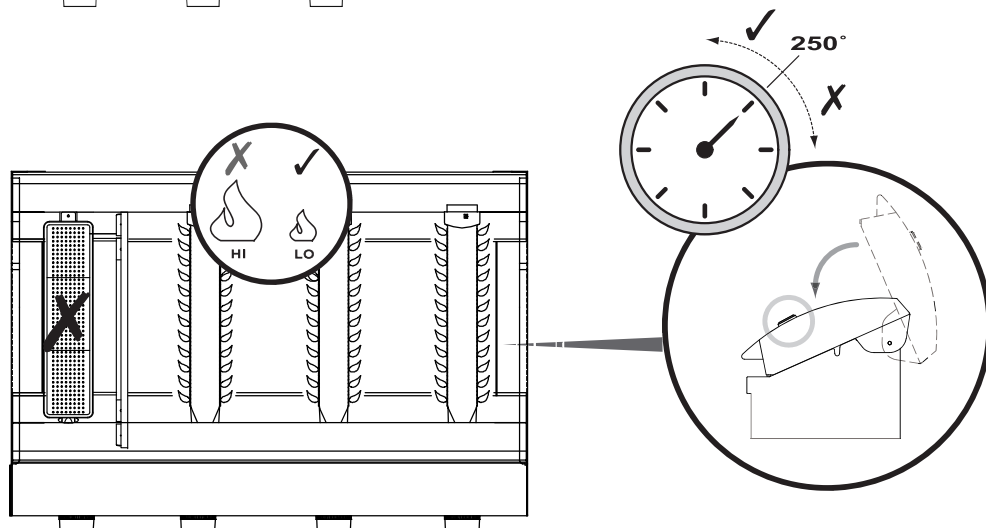
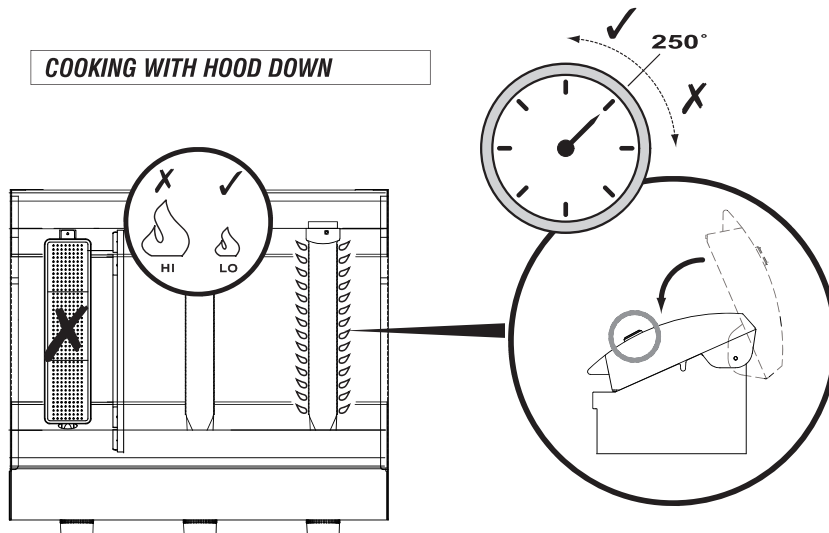
**SIDE BURNER POTS**



**COOKING WITH HOOD OPEN**



**COOKING WITH HOOD DOWN**





Grand Hall Europe  
PO Box 431  
7570 AK Oldenzaal  
The Netherlands

[www.grandhall.eu](http://www.grandhall.eu)

**(IE) (GB) NOTE:** This information is a guide only. Items included in your BBQ specification may differ depending on region or specific dealer specification.

**(CH) (FR) NOTE:** Ces renseignements sont donnés à titre indicatif. Il est possible que les articles inclus dans les spécifications de votre barbecue diffèrent selon la région ou les caractéristiques stipulées par le concessionnaire.

**(AT) (CH) (DE) ANMERKUNG:** Diese Anleitung dient nur zu Informationszwecken. Einzelteile der Grillspezifikation sind unter Umständen verschieden entsprechend der Vertriebsregion oder bestimmten Händleranforderungen.

**(CH) (IT) AVVERTENZA:** Queste informazioni hanno il valore di guida soltanto. Gli articoli compresi nelle caratteristiche tecniche del barbecue potrebbero variare a seconda della regione o del concessionario.

**(BE) (NL) ATTENTIE:** Deze informatie is alleen bedoeld als gids. Onderdelen in uw BBQ specificatie en pakket kunnen per regio of per dealer verschillen.

**(SE) ANM.:** Denna information är endast avsedd som handledning. Specifikationerna för grillen kan variera regionalt eller beroende på de krav som olika återförsäljare har.

**(FI) HUOMATKAA:** Nämä tiedot ovat pelkästään suuntaa antavia. Ostamanne grillin yksityiskohdat voivat olla erilaiset paikkakunnan tai erityisten myyjäkohtaisten yksityiskohtien mukaan.

**(ES) NOTA:** Esta información es una guía únicamente. Es posible que las indicaciones incluidas en las especificaciones de su Asador sean diferentes según la región o las especificaciones específicas del representante.

**(PT) NOTA:** Esta informação é simplesmente um guia. Os itens incluídos na especificação do seu BBQ poderão diferir dependendo da especificação da região ou do vendedor específico.

**(DK) NB:** Denne information er kun vejledende. Specifikationer kan variere efter ønske fra forhandler, eller i henhold til nationale regler.

**(NO) NB:** Denne informasjon er kun veiledende. Spesifikasjoner kan variere som stipulert av forhandler, eller i henhold til nasjonale krav.

**(HR) UPOZORENJE:** Ova uputa služi samo u informativne svrhe. Pojedini dijelovi specifikacije roštilja su različiti od onih koji su propisani Vašim mjestom boravka ili koje su propisali razni distributeri i ovlaštenici za plinske roštilje.

**(SI) OPOZORILO:** Ta navodila so samo informativne narave. Posamezni deli iz specifikacije žara so lahko različni od tistih, kateri so predpisani v vaši regiji ali katere so predpisali distributerji in pooblašeni zastopniki za plinske žare.

All specifications are subject to change without notice.

Toutes les caractéristiques sont susceptibles d'être modifiées sans préavis.

Änderungen ohne vorherige Bekanntgabe vorbehalten.

Tutti i dati tecnici possono cambiare senza preavviso.

Alle specificaties kunnen zonder voorafgaande kennisgeving worden gewijzigd.

Kaikki oikeudet teknisten tietojen muutoksiin pidätetään.

Kaikki yksityiskohdat voivat muuttua ilman, etta niistä erikseen ilmoitetaan.

Todas las especificaciones están sujetas a cambios sin previo aviso.

Todas as especificações estão sujeitas a alteração sem aviso.

Moguće su promjene bez prethodnih najava.

Možne so spremembe brez predhodnih najav.

Manufacturer:

Grand Hall Enterprises Co. Ltd.  
9th Fl. No 298 Rueiguang Rd  
Neihu, Taipei, Taiwan

P80191030A 11/2012