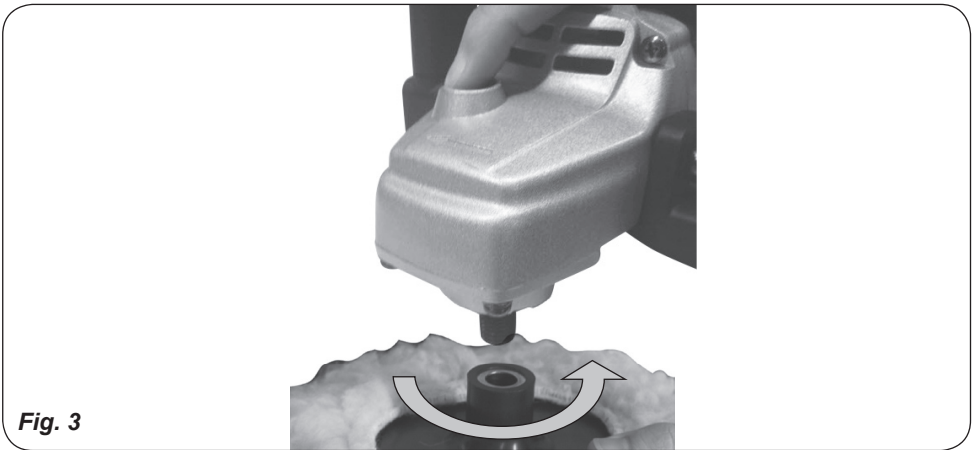
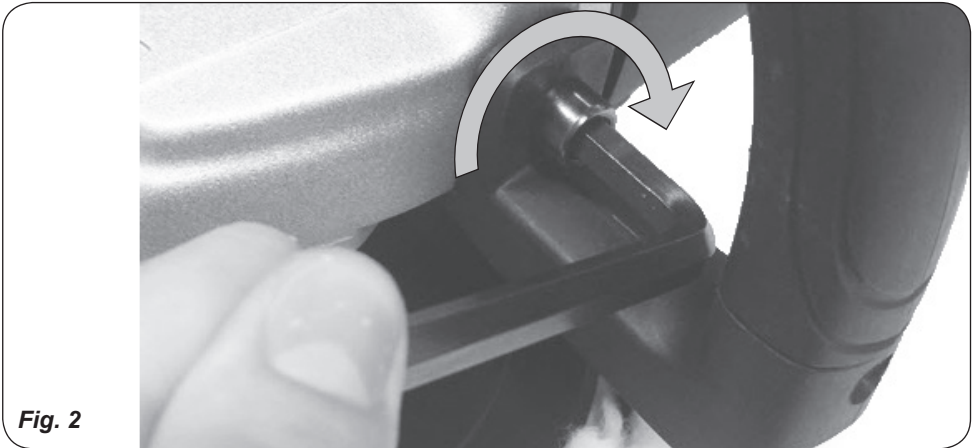
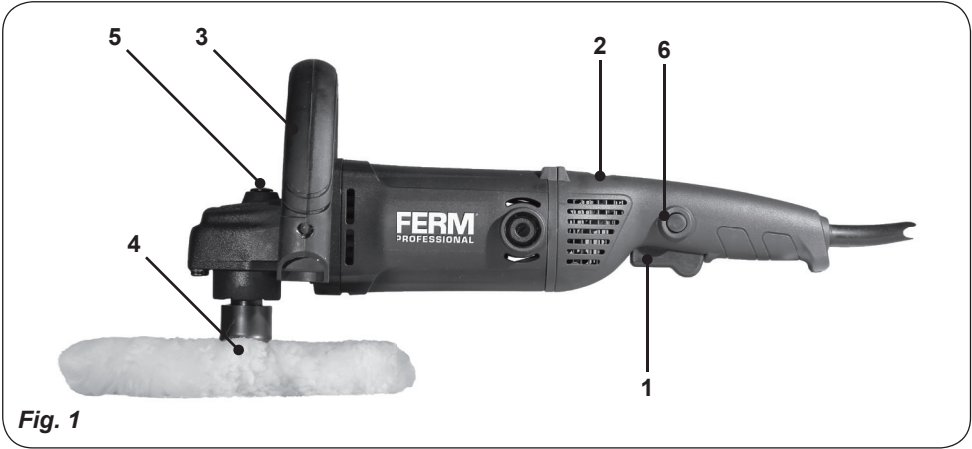
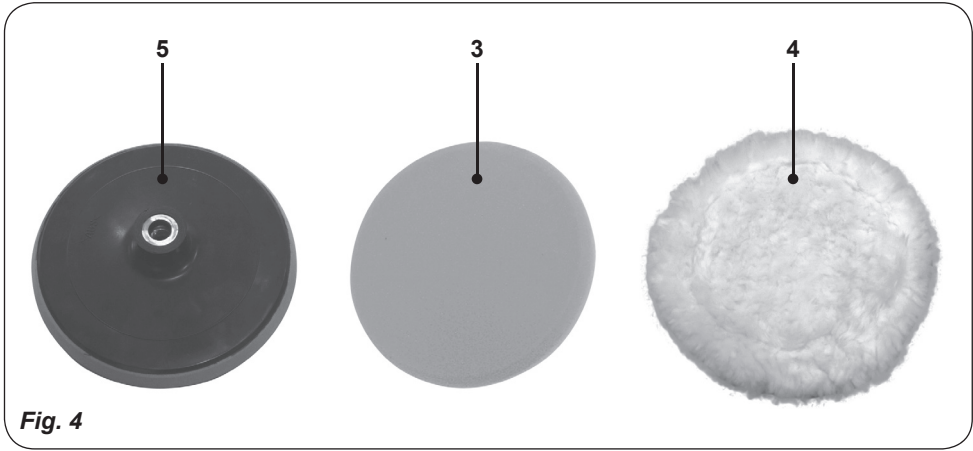




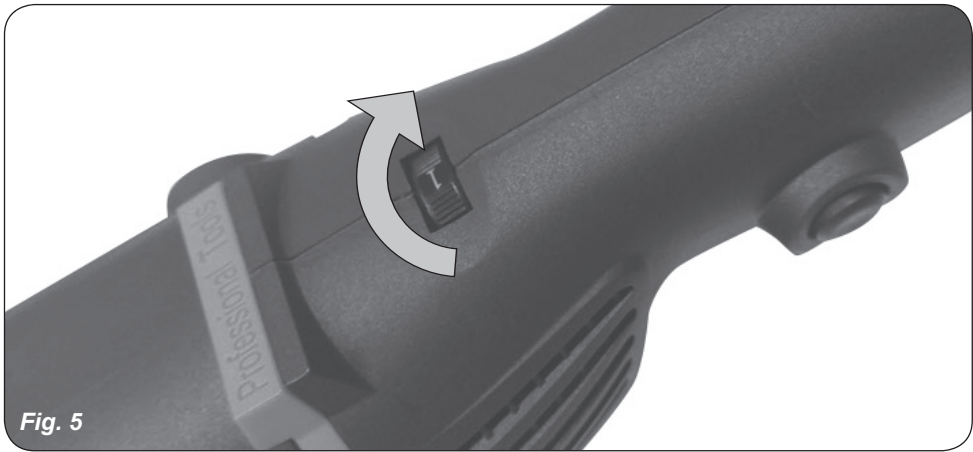
## AGM1084P

EN	Original instructions	04	SL	Prevod izvirnih navodil	78
DE	Übersetzung der Originalbetriebsanleitung	09	PL	Tłumaczenie instrukcji oryginalnej	83
NL	Vertaling van de oorspronkelijke gebruiksaanwijzing	14	LT	Originalios instrukcijos vertimas	89
FR	Traduction de la notice originale	20	LV	Instrukciju tulkojums no oriģinālvalodas	94
ES	Traducción del manual original	25	ET	Algupärase kasutusjuhendi tõlge	99
PT	Tradução do manual original	31	RO	Traducere a instrucțiunilor originale	104
IT	Traduzione delle istruzioni originali	36	HR	Prevedeno s izvornih uputa	109
SV	Översättning av bruksanvisning i original	42	SR	Prevod originalnog uputstva	114
FI	Alkuperäisten ohjeiden käännös	47	BS	Prevod originalnog uputstva	114
NO	Oversatt fra original veiledning	52	RU	Перевод исходных инструкций	119
DA	Oversættelse af den originale brugsanvisning	57	UK	Переклад оригінальних інструкцій	125
HU	Eredeti használati utasítás fordítása	62	EL	Μετάφραση του πρωτοτύπου των οδηγιών χρήσης	131
CS	Překlad původního návodu k používání	67	TR	Orijinal talimatların çevirisi	137
SK	Preklad pôvodného návodu na použitie	73	MK	Копија на оригиналот инструкции	142

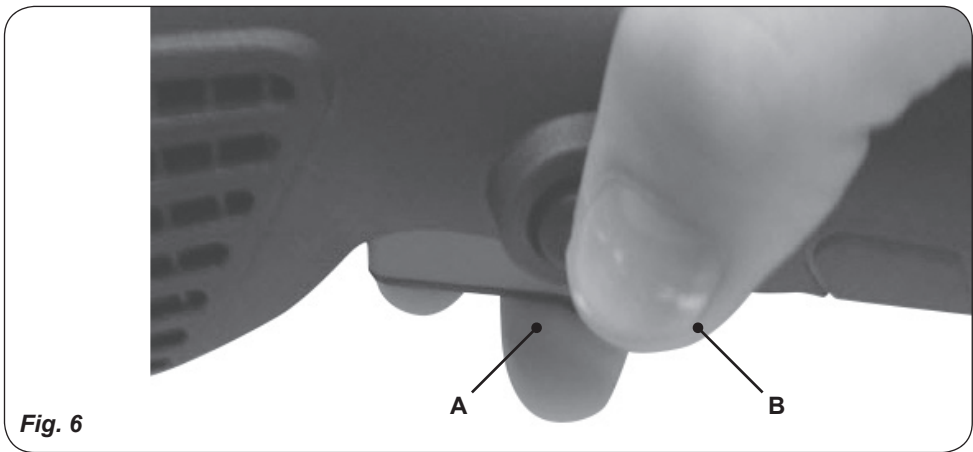




**Fig. 4**



**Fig. 5**



**Fig. 6**

## ANGLE POLISHER 1400W - 180MM

### Thank you for buying this Ferm product.

By doing so you now have an excellent product, delivered by one of Europe's leading suppliers. All products delivered to you by Ferm are manufactured according to the highest standards of performance and safety. As part of our philosophy we also provide an excellent customer service, backed by our comprehensive Warranty. We hope you will enjoy using this product for many years to come.

**The numbers in the text refer to the diagrams on pages 2-3.**



*Read this operators guide carefully, before using the machine. Ensure that you know how the machine works, and how it should be operated. Maintain the machine in accordance with the instructions, and make certain that the machine functions correctly. Keep this operator's guide and other enclosed documentation with the machine.*

### Contents

1. Machine data
2. Safety instructions
3. Assembly
4. Use
5. Service & maintenance

### Introduction

Any other use other than polishing and light sanding is strictly forbidden.

## 1. MACHINE DATA

### Technical specification

Voltage	230-240 V~
Frequency	50 Hz
Power input	1400 W
No-load speed	1000-3300/min
Disc diameter	180 mm
Spindle dimension	M 14
Weight	3.3 kg
Lpa (sound pressure)	86+3 dB(A)
Lwa (sound power)	97+3 dB(A)
Vibration value	3.51+1.5 m/s <sup>2</sup>

### Vibration level

The vibration emission level stated in this instruction manual has been measured in accordance with a standardised test given in EN 60745; it may be used to compare one tool with another and as a preliminary assessment of exposure to vibration when using the tool for the applications mentioned

- using the tool for different applications, or with different or poorly maintained accessories, may significantly increase the exposure level
- the times when the tool is switched off or when it is running but not actually doing the job, may significantly reduce the exposure level

Protect yourself against the effects of vibration by maintaining the tool and its accessories, keeping your hands warm, and organizing your work patterns

### Features

#### Fig. 1

1. On/off switch
2. Speed control
3. U-shaped handle
4. Pad holder
5. Spindle lock
6. Switch lock

## 2. SAFETY INSTRUCTIONS

### Explanation of the symbols



*Denotes risk of personal injury, loss of life or damage to the machine in case of non-observance of the instructions in this manual.*



*Indicates electrical shock hazard. Immediately unplug the plug from the mains electricity in the case that the cord gets damaged and during maintenance.*



*Use spindle lock only in stand still mode.*



*Keep bystanders away.*







*Wear ear and eye protection.*



*Wear protective gloves.*



*Variable speed control*

### **Safety Warnings Common for Grinding or Abrasive Cutting-Off Operations:**

- a) This power tool is intended to function as a sander, wire brush, polisher. Read all safety warnings, instructions, illustrations and specifications provided with this power tool. Failure to follow all instructions listed below may result in electric shock, fire and/or serious injury.
- b) Operations such as grinding, or cutting-off are not recommended to be performed with this power tool. Operations for which the power tool was not designed may create a hazard and cause personal injury.
- c) Do not use accessories which are not specifically designed and recommended by the tool manufacturer. Just because the accessory can be attached to your power tool, it does not assure safe operation.
- c) Do not use accessories which are not specifically designed and recommended by the tool manufacturer. Just because the accessory can be attached to your power tool, it does not assure safe operation.
- d) The rated speed of the accessory must be at least equal to the maximum speed marked on the power tool. Accessories running faster than their rated speed can break and fly apart.
- e) The outside diameter and the thickness of your accessory must be within the capacity rating of your power tool. Incorrectly sized accessories cannot be adequately guarded or controlled.
- f) The arbour size of wheels, flanges, backing pads or any other accessory must properly fit the spindle of the power tool. Accessories with arbour holes that do not match the mounting hardware of the power tool will run out of balance, vibrate excessively and may cause loss of control.
- g) Do not use a damaged accessory. Before each use inspect the accessory such as abrasive wheels for chips and cracks, backing pad for cracks, tear or excess wear, wire brush for loose or cracked wires. If power tool or accessory is dropped, inspect for damage or install an undamaged accessory. After inspecting and installing an accessory, position yourself and bystanders away from the plane of the rotating accessory and run the power tool at maximum no-load speed for one minute. Damaged accessories will normally break apart during this test time.
- h) Wear personal protective equipment. Depending on application, use face shield, safety goggles or safety glasses. As appropriate, wear dust mask, hearing protectors, gloves and workshop apron capable of stopping small abrasive or workpiece fragments. The eye protection must be capable of stopping flying debris generated by various operations. The dust mask or respirator must be capable of filtering particles generated by your operation. Prolonged exposure to high intensity noise may cause hearing loss.
- i) Keep bystanders a safe distance away from work area. Anyone entering the work area must wear personal protective equipment. Fragments of workpiece or of a broken accessory may fly away and cause injury beyond immediate area of operation.
- j) Hold power tool by insulated gripping surfaces only, when performing an operation where the cutting accessory may contact hidden wiring or its own cord. Cutting accessory contacting a "live" wire may make exposed metal parts of the power tool "live" and shock the operator.
- k) Position the cord clear of the spinning accessory. If you lose control, the cord may be cut or snagged and your hand or arm may be pulled into the spinning accessory.
- l) Never lay the power tool down until the accessory has come to a complete stop. The spinning accessory may grab the surface and pull the power tool out of your control.
- m) Do not run the power tool while carrying it at your side. Accidental contact with the spinning accessory could snag your clothing, pulling the accessory into your body.
- n) Regularly clean the power tool's air vents. The motor's fan will draw the dust inside the housing and excessive accumulation of powdered metal may cause electrical hazards.
- o) Do not operate the power tool near flammable materials. Sparks could ignite these materials.

- p) Do not use accessories that require liquid coolants. Using water or other liquid coolants may result in electrocution or shock.

### Kickback and Related Warnings

Kickback is a sudden reaction to a pinched or snagged rotating wheel, backing pad, brush or any other accessory. Pinching or snagging causes rapid stalling of the rotating accessory which in turn causes the uncontrolled power tool to be forced in the direction opposite of the accessory's rotation at the point of the binding.

For example, if an abrasive wheel is snagged or pinched by the workpiece, the edge of the wheel that is entering into the pinch point can dig into the surface of the material causing the wheel to climb out or kick out. The wheel may either jump toward or away from the operator, depending on direction of the wheel's movement at the point of pinching. Abrasive wheels may also break under these conditions.

Kickback is the result of power tool misuse and/or incorrect operating procedures or conditions and can be avoided by taking proper precautions as given below.

- a) Maintain a firm grip on the power tool and position your body and arm to allow you to resist kickback forces. Always use auxiliary handle, if provided, for maximum control over kickback or torque reaction during start-up. The operator can control torque reactions or kickback forces, if proper precautions are taken.
- b) Never place your hand near the rotating accessory. Accessory may kickback over your hand.
- c) Do not position your body in the area where power tool will move if kickback occurs. Kickback will propel the tool in direction opposite to the wheel's movement at the point of snagging.
- d) Use special care when working corners, sharp edges etc. Avoid bouncing and snagging the accessory. Corners, sharp edges or bouncing have a tendency to snag the rotating accessory and cause loss of control or kickback.
- e) Do not attach a saw chain woodcarving blade or toothed saw blade. Such blades create frequent kickback and loss of control.

### Special safety instructions

- Check that the maximum speed indicated on the disc corresponds to the maximum speed of the machine. The speed of the machine must not exceed the value on the disc.
- Make sure that the dimensions of the disc correspond to the specifications of the machine.
- Make sure that the disc has been mounted and fastened properly. Do not use reducing rings or adapters to make the disc fit properly.
- Never use this machine single handed. Always use both hands to operate the machine.
- Do not touch any rotating parts.
- Make sure the wool bonnet is not contacting the workpiece before the machine is switched on.
- Do not touch the workpiece immediately after operation. It may be hot.
- Warning: The wheel still rotates after the machine has been switched off
- Hold the machine by the insulated grips when performing an operation where contact can be made with hidden wiring or its own cord.
- Before use, inspect the disc for any damage. Do not use discs which are crack-ed, ripped or otherwise damaged.
- Before use, let the machine run idle for 30 seconds. Immediately switch off the machine in case of abnormal vibrations or occurrence of another defect. Carefully inspect the machine and disc before switching the machine on again.
- Always wear safety goggles and hearing protection.
- Ensure that mounted wheels and points are fitted in accordance with the manufacturer's instructions.
- For tools intended to be fitted with threaded hole wheel, ensure that the thread in the wheel is long enough to accept the spindle length.
- Ensure that ventilation openings are kept clear when working in dusty conditions. If it should become necessary to clear dust, first disconnect the tool from the mains supply (use non metallic objects) and avoid damaging internal parts.
- Though poor conditions of the electrical mains, shortly voltage drops can appear when starting the equipment. This can influence other equipment (eq. blinking of a lamp). If the

mains-impedance  $Z_{max} < 0.348 \text{ Ohm}$ , such disturbances are not expected. (In case of need, you may contact your local supply authority for further information.)

Immediately switch off the machine when:

- Excessive sparking of the carbon brushes and verticiliosis in the collector.
- Interruption of the mains plug, mains lead or mains lead damage.
- Defect switch
- Smoke or stench of scorched isolation

### Electrical safety

When using electric machines always observe the safety regulations applicable in your country to reduce the risk of fire, electric shock and personal injury. Read the following safety instructions and also the enclosed safety instructions.



*Always check that the power supply corresponds to the voltage on the rating plate.*



*Your machine is double insulated; therefore no earthwire is required.*

### Replacing cables or plugs

Immediately throw away old cables or plugs when they have been replaced by new ones. It is dangerous to insert the plug of a loose cable in the wall outlet.

### Using extension cables

Only use an approved extension cable suitable for the power input of the machine. The minimum conductor size is  $1.5 \text{ mm}^2$ . When using a cable reel always unwind the reel completely.

## 3. ASSEMBLY



*Prior to mounting an accessory always unplug the tool.*

### Assembling the handle

#### Fig. 2

The handle is suitable for either left or right-handed use.

- Install the handle in such way that the holes match the screwholes on the machine.

- Tighten the handle with the bolts and hexagon key.

### Assembling accessoires

#### Fig. 3

- Press the spindle lock (5)
- Screw and tighten the pad holder on the spindle
- Depress the spindle lock (5)
- Mount the polishing pad (4) onto the pad holder (5).

### Accessoires

#### Fig. 4

#### Polishing pad (3)

This is used for high lustre polishing and waxing.

#### Wool polishing pad (4)

This is used for a high gloss finish.

## 4. USE



*Always follow the safety instructions and keep to the applicable regulations.*

- Hold the machine away from the workpiece when switch it on and off.
- Always first switch the machine off after use before removing the plug from the socket.

### Speed control

#### Fig. 5

The speed of the disc can be controlled with the rotary knob on top of the handle. The higher the position, the higher the speed. When using wax on the polishing pad do not start at a high speed.

### Switching on and off

#### Fig. 6

- This machine is equipped with a safety switch.
- Start the machine by pressing the "lock off" (B) button (to disengage the switch) and switch on the machine (A).

### Switch Off

Release the switch (A).



*The polisher will continue to run after it is turned off.*

Only lay the machine down once the motor has completely stopped turning. Do not put the machine on a dusty surface. Dust particles can penetrate the machine.



*Never use the spindle lock to stop the motor turning.*

## 5. SERVICE & MAINTENANCE



*Make sure that the machine is not live when carrying out maintenance work on the motor.*

This machine has been designed to operate over a long period of time with a minimum of maintenance. Continuous satisfactory operation depends upon proper machine care and regular cleaning.



*Repairs and servicing should only be carried out by a qualified technician or service firm.*

### Cleaning

Keep the ventilation slots of the machine clean to prevent overheating of the engine. Regularly clean the machine housing with a soft cloth, preferably after each use. Keep the ventilation slots free from dust and dirt. If the dirt does not come off use a soft cloth moistened with soapy water. Never use solvents such as petrol, alcohol, ammonia water, etc. These solvents may damage the plastic parts.

### Faults

Should a fault occur, e.g. after wear of a part, please contact the service address on the warranty card. In the back of this manual you find an exploded view showing the parts that can be ordered.

## ENVIRONMENT

To prevent damage during transport, the appliance is delivered in a solid packaging which consists largely of reusable material. Therefore please make use of options for recycling the packaging.



*Faulty and/or discarded electrical or electronic apparatus have to be collected at the appropriate recycling locations.*

### Only for EC countries

Do not dispose of power tools into domestic waste. According to the European Guideline 2012/19/ EU for Waste Electrical and Electronic Equipment and its implementation into national right, power tools that are no longer usable must be collected separately and disposed of in an environmentally friendly way.

## WARRANTY

The warranty conditions can be found on the separately enclosed warranty card.

**The product and the user manual are subject to change. Specifications can be changed without further notice.**

## WINKELPOLIERER 1400W - 180MM

### Vielen Dank, dass Sie sich für den Kauf dieses Ferm-Produkts entschieden haben.

Sie besitzen nun ein hervorragendes Produkt von einem führenden europäischen Lieferanten.

Alle Ferm-Produkte werden nach höchsten Leistungs- und Sicherheitsstandards gefertigt.

Gemäß unserer Philosophie bieten wir Ihnen einen exzellenten Kundenservice sowie eine

vollständige Garantie auf unsere Produkte.

An diesem Produkt werden Sie noch viele Jahre Ihre Freude haben.

### Die Ziffern im nachstehenden Text verweisen auf die Abbildungen auf Seite 2-3.



Lesen Sie diese Bedienungsanleitung aufmerksam, bevor Sie die Maschine in Betrieb nehmen. Machen Sie sich mit der Funktionsweise und der Bedienung vertraut. Warten Sie die Maschine entsprechend der Anweisungen, damit sie immer einwandfrei funktioniert. Die Betriebsanleitung und die dazugehörige Dokumentation müssen in der Nähe der Maschine aufbewahrt werden.

### Einführung

Jegliche andere Anwendung als Polieren und leichtes Schleifen ist streng verboten.

### Inhalt

1. Technische Daten
2. Sicherheitsanweisungen
3. Montage
4. Anwendung
5. Service & Wartung

## 1. TECHNISCHE DATEN

### Machinedaten

Spannung	230-240 V~
Frequenz	50 Hz
Leistungsbedarf	1400 W
Leerlaufdrehzahl	1000-3300/min
Scheibendurchmesser	180 mm
Spindelgröße	M14
Gewicht	3,3 kg
Lpa (Schalldruck)	86+3 dB(A)
Lwa (sound power)	97+3 dB(A)
Schwingungswert	3.51+1.5 m/s <sup>2</sup>

### Vibrationsstufe

Die im dieser Bedienungsanleitung angegebene Vibrationsemissionsstufe wurde mit einem standardisierten Test gemäß EN 60745 gemessen; Sie kann verwendet werden, um ein Werkzeug mit einem anderen zu vergleichen und als vorläufige Beurteilung der Vibrationsexposition bei Verwendung des Werkzeugs für die angegebenen Anwendungszwecke

- die Verwendung des Werkzeugs für andere Anwendungen oder mit anderem oder schlecht gewartetem Zubehör kann die Expositionsstufe erheblich erhöhen
- Zeiten, zu denen das Werkzeug ausgeschaltet ist, oder wenn es läuft aber eigentlich nicht eingesetzt wird, können die Expositionsstufe erheblich verringern

Schützen Sie sich vor den Auswirkungen der Vibration durch Wartung des Werkzeugs und des Zubehörs, halten Sie Ihre Hände warm und organisieren Sie Ihren Arbeitsablauf

### Eigenschaften

#### Abb.1

1. An-/Ausschalter
2. Drehzahlregler
3. U-förmiger Griff
4. Kissenhalter
5. Spindelsperre
6. Schaltersperre

## 2. SICHERHEITSANWEISUNGEN

### Erläuterung der Symbole



Lebens- und Verletzungsgefahr und Gefahr von Beschädigungen am Gerät bei Nichteinhaltung der Sicherheitsvorschriften in dieser Anleitung.



Deutet das Vorhandensein elektrischer Spannung an.



Die Spindelarrretierung nur im Ruhemodus betätigen.



*Umstehende fernhalten.*



*Schutzbrille und Gehörschutz tragen.*



*Schutzhandschuhe tragen.*



*Verstellbarer Geschwindigkeitsregler*

### **Sicherheitswarnungen gültig für Schleif-, Drahtbürst- oder Polierarbeiten:**

- a) Dieses Elektrowerkzeug soll als Schleifer, Drahtbürste und Polierer dienen. Lesen Sie alle Sicherheitswarnungen, Anweisungen, Abbildungen und technischen Daten, die mit diesem Elektrowerkzeug mitgeliefert wurden. Wenn Sie nicht alle der unten aufgeführten Anweisungen befolgen, kann das zum Stromschlag, Brand und/oder schweren Verletzungen führen.
- b) Arbeiten wie Mahlen oder Abschneiden sind für dieses Elektrowerkzeug nicht empfohlen. Arbeiten, für die das Elektrowerkzeug nicht bestimmt ist, können eine Gefahr hervorrufen und Personen verletzen.
- c) Verwenden Sie kein Zubehör, das vom Hersteller nicht speziell für dieses Elektrowerkzeug vorgesehen und empfohlen wurde. Nur weil Sie das Zubehör an Ihrem Elektrowerkzeug befestigen können, garantiert das keine sichere Verwendung.
- d) Die zulässige Drehzahl des Einsatzwerkzeugs muss mindestens so hoch sein wie die auf dem Elektrowerkzeug angegebene Höchstdrehzahl. Zubehör, das sich schneller als zulässig dreht, kann zerbrechen und umherfliegen.
- e) Außendurchmesser und Dicke des Einsatzwerkzeugs müssen den Maßangaben Ihres Elektrowerkzeugs entsprechen. Falsch bemessene Einsatzwerkzeuge können nicht ausreichend abgeschirmt oder kontrolliert werden.
- f) Schleifscheiben, Flansche, Schleifteller oder anderes Zubehör müssen genau auf die Schleifspindel Ihres Elektrowerkzeugs passen. Einsatzwerkzeuge, die nicht genau auf die Schleifspindel des Elektrowerkzeugs passen, drehen sich ungleichmäßig, vibrieren sehr stark und können zum Verlust der Kontrolle führen.
- g) Verwenden Sie keine beschädigten Einsatzwerkzeuge. Kontrollieren Sie vor jeder Verwendung Einsatzwerkzeuge wie Schleifscheiben auf Absplitterungen und Risse, Schleifteller auf Risse, Verschleiß oder starke Abnutzung, Drahtbürsten auf lose oder gebrochene Drähte. Wenn das Elektrowerkzeug oder das Einsatzwerkzeug herunterfällt, überprüfen Sie, ob es beschädigt ist, oder verwenden Sie ein unbeschädigtes Einsatzwerkzeug. Wenn Sie das Einsatzwerkzeug kontrolliert und eingesetzt haben, halten Sie und in der Nähe befindliche Personen sich außerhalb der Ebene des rotierenden Einsatzwerkzeugs auf und lassen Sie das Gerät eine Minute lang mit Höchstdrehzahl laufen. Beschädigte Einsatzwerkzeuge brechen meist in dieser Testzeit.
- h) Tragen Sie persönliche Schutzausrüstung. Verwenden Sie je nach Anwendung Vollgesichtsschutz, Augenschutz oder Schutzbrille. Soweit angemessen, tragen Sie Staubmaske, Gehörschutz, Schutzhandschuhe oder Spezialschürze, die kleine Schleif- und Materialpartikel von Ihnen fernhält. Die Augen sollen vor herumfliegenden Fremdkörpern geschützt werden, die bei verschiedenen Anwendungen entstehen. Staub- oder Atemschutzmaske müssen den bei der Anwendung entstehenden Staub filtern. Wenn Sie lange lautem Lärm ausgesetzt sind, können Sie einen Hörverlust erleiden.
- i) Achten Sie bei anderen Personen auf sicheren Abstand zu Ihrem Arbeitsbereich. Jeder, der den Arbeitsbereich betritt, muss persönliche Schutzausrüstung tragen. Bruchstücke des Werkstücks oder gebrochener Einsatzwerkzeuge können wegfliegen und Verletzungen auch außerhalb des direkten Arbeitsbereichs verursachen.
- j) Halten Sie das Gerät nur an den isolierten Griffflächen, wenn Sie Arbeiten ausführen, bei denen das Einsatzwerkzeug verborgene Stromleitungen oder das eigene Netzkabel treffen kann. Der Kontakt mit einer spannungsführenden Leitung kann auch metallene Geräteteile unter Spannung setzen und zu einem elektrischen Schlag führen.

- k) Halten Sie das Netzkabel von sich drehenden Einsatzwerkzeugen fern. Wenn Sie die Kontrolle über das Gerät verlieren, kann das Netzkabel durchtrennt oder erfasst werden und Ihre Hand oder Ihr Arm in das sich drehende Einsatzwerkzeug geraten.
- l) Legen Sie das Elektrowerkzeug niemals ab, bevor das Einsatzwerkzeug völlig zum Stillstand gekommen ist. Das sich drehende Einsatzwerkzeug kann in Kontakt mit der Ablagefläche geraten, wodurch Sie die Kontrolle über das Elektrowerkzeug verlieren können.
- m) Lassen Sie das Elektrowerkzeug nicht laufen, während Sie es tragen. Ihre Kleidung kann durch zufälligen Kontakt mit dem sich drehenden Einsatzwerkzeug erfasst werden und das Einsatzwerkzeug sich in Ihren Körper bohren.
- n) Reinigen Sie regelmäßig die Lüftungsschlitze Ihres Elektrowerkzeugs. Das Motorgebläse zieht Staub in das Gehäuse, und eine starke Ansammlung von Metallstaub kann elektrische Gefahren verursachen.
- o) Verwenden Sie das Elektrowerkzeug nicht in der Nähe brennbarer Materialien. Funken können diese Materialien entzünden.
- p) Verwenden Sie keine Einsatzwerkzeuge, die flüssige Kühlmittel erfordern. Die Verwendung von Wasser oder anderen flüssigen Kühlmitteln kann zu einem elektrischen Schlag führen.
- fehlerhaften Gebrauchs des Elektrowerkzeugs. Er kann durch geeignete Vorsichtsmaßnahmen wie nachfolgend beschrieben verhindert werden.
- a) Halten Sie das Elektrowerkzeug gut fest und bringen Sie Ihren Körper und Ihre Arme in eine Position, in der Sie die Rückschlagkräfte abfangen können. Verwenden Sie immer den Zusatzgriff, falls vorhanden, um die größtmögliche Kontrolle über Rückschlagkräfte oder Reaktionsmomente beim Hochlauf zu haben. Die Bedienperson kann durch geeignete Vorsichtsmaßnahmen die Rückschlag- und Reaktionskräfte beherrschen.
- b) Bringen Sie Ihre Hand nie in die Nähe sich drehender Einsatzwerkzeuge. Das Einsatzwerkzeug kann sich beim Rückschlag über Ihre Hand bewegen.
- c) Meiden Sie mit Ihrem Körper den Bereich, in den das Elektrowerkzeug bei einem Rückschlag bewegt wird. Der Rückschlag treibt das Elektrowerkzeug in die Richtung entgegengesetzt zur Bewegung der Schleifscheibe an der Blockierstelle.
- d) Arbeiten Sie besonders vorsichtig im Bereich von Ecken, scharfen Kanten usw. Verhindern Sie, dass Einsatzwerkzeuge vom Werkstück zurückprallen und verklemmen. Das rotierende Einsatzwerkzeug neigt bei Ecken, scharfen Kanten oder wenn es abprallt dazu, sich zu verklemmen. Dies verursacht einen Kontrollverlust oder Rückschlag.
- e) Verwenden Sie kein Ketten- oder gezähntes Sägeblatt. Solche Einsatzwerkzeuge verursachen häufig einen Rückschlag oder den Verlust der Kontrolle über das Elektrowerkzeug.

### **Rückschlag und entsprechende Sicherheitshinweise**

Rückschlag ist die plötzliche Reaktion infolge eines hakenden oder blockierten drehenden Einsatzwerkzeugs, wie Schleifscheibe, Schleifteller, Drahtbürste usw. Verhaken oder Blockieren führt zu einem abrupten Stopp des rotierenden Einsatzwerkzeugs. Dadurch wird ein unkontrolliertes Elektrowerkzeug gegen die Drehrichtung des Einsatzwerkzeugs an der Blockierstelle beschleunigt.

Wenn z. B. eine Schleifscheibe im Werkstück hakt oder blockiert, kann sich die Kante der Schleifscheibe, die in das Werkstück eintaucht, fangen und dadurch die Schleifscheibe ausbrechen oder einen Rückschlag verursachen. Die Schleifscheibe bewegt sich dann auf die Bedienperson zu oder von ihr weg, je nach Drehrichtung der Scheibe an der Blockierstelle. Hierbei können Schleifscheiben auch brechen.

Ein Rückschlag ist die Folge eines falschen oder

### **Zusätzliche sicherheitsvorschriften**

- Überprüfen Sie, ob die Höchstdrehzahl, die auf der Schleifscheibe angegeben ist, mit der Höchstdrehzahl der Maschine übereinstimmt. Die Drehzahl der Maschine darf nicht höher sein als der Wert auf der Schleifscheibe.
- Achten Sie darauf, daß die Abmessungen der Schleifscheibe mit den Angaben der Maschine übereinstimmen.
- Achten Sie darauf, daß die Schleifscheibe richtig montiert und ordnungsgemäß festgesetzt wurde. Verwenden Sie keine Reduzierringe oder Adapter, um die Schleifscheibe passend zu machen.



- Behandeln und lagern Sie Schleifscheiben gemäß den Vorschriften des Lieferanten.
- Verwenden Sie die Maschine nicht, um Werkstücke durchzuschleifen, die dicker sind als die maximale Schleiftiefe der Schleifscheibe.
- Verwenden Sie keine Schleifscheiben für Abgratarbeiten.
- Sorgen Sie dafür, daß bei Verwendung von Schleifscheiben, die auf dem Gewinde der Spindel befestigt wird, die Spindel genügend Gewinde hat. Sorgen Sie dafür, daß die Spindel ausreichend geschützt ist und die Schleifoberfläche nicht berührt.
- Überprüfen Sie die Schleifscheibe vor Benutzung auf eventuelle Beschädigungen. Verwenden Sie keine Schleifscheiben, die geborsten, gerissen oder anders beschädigt sind.
- Lassen Sie die Maschine vor Inbetriebnahme 30 Sekunden lang unbelastet laufen. Schalten Sie die Maschine sofort aus, wenn diese deutlich zu zittern anfängt oder wenn ein anderer Defekt auftritt. Überprüfen Sie die Maschine und Schleifscheibe gründlich, bevor Sie die Maschine erneut einschalten.
- Sorgen Sie dafür, daß ein eventueller Funkenregen keine Gefahr für Personen bildet oder in Richtung von leicht entflammaren Substanzen spritzt.
- Sorgen Sie dafür, daß das Werkstück ausreichend unterstützt oder eingeklemmt wird. Bleiben Sie mit den Händen von der Schleiffläche fern.
- Tragen Sie immer eine Schutzbrille und einen Hörschutz. Benutzen Sie, falls erforderlich oder gewünscht, andere Schutzkleidung, wie z.B. eine Schürze oder einen Helm.
- Befestigen Sie Scheiben und sonstige Einzelteile gemäß den Vorschriften des Herstellers.
- Verwenden Sie falls erforderlich Fließpapier, wenn diese mit den Schleifmitteln mitgeliefert worden sind.
- Verwenden Sie immer eine Sicherheitsvorrichtung, wenn diese mit dem Gerät mitgeliefert worden ist.
- Bei Werkzeugen, die mit einer Lochscheibe mit Gewinde ausgerüstet werden, muss das Gewinde in der Bohrung für die Spindellänge lang genug sein.
- Achten Sie darauf, dass Lüftungsöffnungen bei der Arbeit in staubiger Umgebung nicht

verschmutzt sind. Bevor Sie Lüftungsöffnungen reinigen, ziehen Sie den Netzstecker. Verwenden Sie zum Reinigen keine Metallgegenstände, vermeiden Sie die Beschädigung von Innenteilen.

- Bei einem schwachen Stromnetz kann es beim Einschalten der Anlage zur Spannungsabsenkung kommen. Dies kann sich auf andere Geräte auswirken (beispielsweise Blinken einer Anzeigelampe). Solche Störungen sind ausgeschlossen, wenn die Netzimpedanz  $Z_{max} < 0.348 \text{ Ohm}$  beträgt. Im Zweifelsfall fragen Sie bei Ihrem Versorgungsbetrieb nach.

Das Gerät sofort ausschalten bei:

- Übermäßigen Funken der Kohlebürsten und Ringfeuer im Kollektor.
- Störung im Netzstecker, dem Netzkabel oder Schnurbeschädigung.
- Defektem Schalter.
- Rauch oder Gestank verschmorter Isolation.

### Elektrische Sicherheit

Beachten beim Benutzen von Elektromaschinen immer die örtlichen Sicherheitsvorschriften bezüglich Feuerrisiko, Elektroschock und Verletzung. Lesen Sie außer den folgenden Hinweisen ebenfalls die Sicherheitsvorschriften im einschlägigen Sonderteil.



*Überprüfen Sie immer, ob Ihre Netzspannung der des Typenschildes entspricht.*



*Gerät der Schutzklasse II – schutzisoliert – kein Schutzkontakt erforderlich.*

### Austauschen von Kabeln oder Steckern

Wenn die Anschlussleitung beschädigt wird, muss sie durch eine besondere Anschlussleitung ersetzt werden, die vom Hersteller oder seinem Kundendienst erhältlich ist. Entsorgen Sie alte Kabeln oder Stecker, unmittelbar nachdem Sie durch neue ersetzt sind. Das Anschließen eines Steckers eines losen Kabels an eine Steckdose ist gefährlich.

### Verwendung von Verlängerungskabeln

Benutzen Sie nur ein genehmigtes Verlängerungskabel, das der Maschinenleistung entspricht. Die Ader müssen einen Mindestquerschnitt von  $1,5 \text{ mm}^2$  haben. Befindet



das Kabel sich auf einem Haspel muß es völlig abgerollt werden.

### 3. MONTAGE



*Bevor Sie Zubehör montieren, sorgen Sie dafür, dass das Gerät vom Stromnetz genommen ist.*

#### Montage des Griffes

##### Abb. 2

Der Griff kann links- und rechtshändig benutzt werden.

- Bringen Sie den Griff so an, dass die Löcher zu den Schraubenlöchern des Geräts passen.
- Ziehen Sie den Griff mit den Schrauben und dem Sechskantschlüssel fest.

#### Montagezubehör

##### Abb. 3

- Drücken Sie die Spindelsperre.
- Schrauben Sie den Kissenhalter an der Spindel fest.
- Drücken Sie die Spindelsperre.
- Bringen Sie das Polierkissen (4) am Kissenhalter (5) an.

#### Zubehör

##### Abb. 4

##### Polierkissen (3)

Dieses wird für Hochglanzpolieren und –wachsen benutzt.

##### Polierkissen aus Wolle (4)

Dieses wird für eine Hochglanzoberfläche benutzt.

### 4. ANWENDUNG



*Befolgen Sie immer die Sicherheitsanweisungen und die gültigen Bestimmungen.*

- Halten Sie das Gerät beim An- und Ausschalten vom Werkstück fern.
- Schalten Sie das Gerät immer erst nach der Anwendung aus, bevor Sie den Stecker aus der Steckdose ziehen.

#### Drehzahlreglung

##### Abb. 5

Die Drehzahl der Scheibe kann mit dem Drehknopf am Oberteil des Griffes geregelt werden. Je höher die Position desto höher die Geschwindigkeit.

#### Ein- und Ausschalten

##### Abb. 6

- Diese Maschine ist mit einem Sicherheitsschalter ausgerüstet.
- Starten Sie die Maschine, indem Sie den "lock-off"-Knopf betätigen (hierdurch wird der Schalter entschert) und die Maschine einschalten.

#### Ausschalten

Lösen Sie den Schalter.



*Das Poliergerät läuft weiter, nachdem Sie es ausgeschaltet haben.*

Legen Sie das Gerät nur nieder, wenn sich der Motor absolut nicht mehr dreht. Legen Sie das Gerät nicht auf eine staubige Fläche. Staubteilchen können in das Gerät eindringen.



*Benutzen Sie den Spindelschlüssel nie, um den sich drehenden Motor anzuhalten.*

### 5. SERVICE & WARTUNG



*Überzeugen Sie sich davon, dass das Gerät nicht stromführend ist, wenn Wartungsarbeiten am Motor durchgeführt werden.*

Dieses Gerät kann mit einem Minimum an Wartung lange Zeit funktionieren. Der ständige befriedigende Betrieb hängt von der richtigen Gerätspflege und regelmäßigen Reinigung ab.



*Reparaturen und Wartung sollten nur von einem qualifizierten Techniker oder einer Servicefirma ausgeführt werden.*

#### Reinigung

Halten Sie die Belüftungsöffnungen des Geräts sauber, damit sich der Motor nicht überhitzen

kann. Reinigen Sie das Gerätegehäuse regelmäßig mit einem weichen Lappen, besonders nach jeder Anwendung. Halten Sie die Belüftungsschlitze staub- und schmutzfrei. Wenn sich der Schmutz nicht löst, benutzen Sie einen weichen Lappen, der mit Seifenwasser befeuchtet ist. Verwenden Sie niemals Lösungsmittel wie Benzin, Alkohol, Ammoniakwasser usw. Diese Lösungsmittel können die Kunststoffteile beschädigen.

#### Fehler

Sollte ein Fehler auftreten, z.B. nach dem Verschleiß eines Teils, wenden Sie sich bitte an die Serviceadresse auf der Garantiekarte. Auf der Rückseite dieses Handbuchs finden Sie eine Explosionsdarstellung der Teile, die bestellt werden können.

## UMWELTSCHUTZ

Um Schäden beim Transport zu verhindern, wird das Gerät in einer robusten Verpackung aus größtenteils wiederverwertbaren Materialien ausgeliefert. Nehmen Sie deshalb bitte die Möglichkeiten zur Wiederverwertung der Verpackung wahr.



*Schadhafte und/oder ausgesonderte elektrische oder elektronische Geräte müssen an entsprechenden Recyclingstellen eingesammelt werden.*

#### Nur für EG-Länder

Entsorgen Sie Elektrowerkzeuge nicht über den Hausmüll. Entsprechend der Europäischen Richtlinie 2012/19/EU für Elektro- und Elektronikschrott sowie der Einführung in das nationale Recht müssen Elektrowerkzeuge, die nicht mehr im Gebrauch sind, getrennt gesammelt und umweltfreundlich entsorgt werden.

## GARANTIE

Die Garantiebestimmungen können der mitgelieferten Garantiekarte entnommen werden.

**Das Produkt und das Benutzerhandbuch können geändert werden. Die technischen Daten können ohne Vorankündigung geändert werden.**

## HAAKSE POETSMACHINE 1400W - 180MM

**Hartelijk dank voor de aanschaf van dit Ferm product.** Hiermee heeft u een uitstekend product aangeschaft van één van de toonaangevende Europese distributeurs. Alle Ferm producten worden gefabriceerd volgens de hoogste prestatie- en veiligheidsnormen. Deel van onze filosofie is de uitstekende klantenservice die wordt ondersteund door onze uitgebreide garantie. Wij hopen dat u vele jaren naar tevredenheid gebruik zult maken van dit product.

**De nummers in de nu volgende tekst verwijzen naar de afbeeldingen op pagina 2-3**



*Lees deze gebruiksaanwijzing zorgvuldig door, voor u de machine in gebruik neemt. Maak u vertrouwd met de werking en de bediening. Onderhoud de machine volgens de aanwijzingen, zodat zij altijd naar behoren blijft functioneren. Deze gebruiksaanwijzing en de bijbehorende documentatie dienen in de buurt van de machine bewaard te worden.*

#### Inhoudsopgave

1. Technische informatie
2. Veiligheidsinstructies
3. Montage
4. Gebruik
5. Service & onderhoud

#### Introductie

Ieder ander gebruik dan polijsten en licht schuren is strikt verboden.

## 1. TECHNISCHE INFORMATIE

#### Machingegevens

Spanning	230-240 V~
Frequentie	50 Hz
Opgenomen elektrische vermogen	1400 W
Nullasttoerental	1000-3300/min.
Schijfdiameter	180 mm
Spindelmaat	M 14
Gewicht	3.3 kg
L <sub>pa</sub> (geluidsdruk)	86+3 dB(A)
L <sub>wa</sub> (geluidsvermogen)	97+3 dB(A)
Trillingswaarde	3.51+1.5 m/s <sup>2</sup>

### Trillingsniveau

Het trillingsemissieniveau, dat in deze gebruiksaanwijzing wordt vermeld, is gemeten in overeenstemming met een gestandaardiseerde test volgens EN 60745; deze mag worden gebruikt om twee machines met elkaar te vergelijken en als voorlopige beoordeling van de blootstelling aan trilling bij gebruik van de machine voor de vermelde toepassingen

- gebruik van de machine voor andere toepassingen, of met andere of slecht onderhouden accessoires, kan het blootstellingsniveau aanzienlijk verhogen
- wanneer de machine is uitgeschakeld of wanneer deze loopt maar geen werk verricht, kan dit het blootstellingsniveau aanzienlijk reduceren

Bescherm uzelf tegen de gevolgen van trilling door de machine en de accessoires te onderhouden, uw handen warm te houden en uw werkwijze te organiseren

### Eigenschappen

#### Afb. 1

1. Aan/uit schakelaar
2. Snelheidsregeling
3. U-vormige handgreep
4. Polijstschildhouder
5. Spindel vergrendeling
6. Schakelaar vergrendeling

## 2. VEILIGHEIDSINSTRUCTIES

### Uitleg van de gebruikte symbolen



*Gevaar voor lichamelijk letsel, met als eventueel gevolg de dood, of schade aan de machine wanneer de instructies in deze gebruiksaanwijzing niet opgevolgd worden.*



*Gevaar voor een elektrische schok. Haal onmiddellijk de stekker uit het stopcontact wanneer het netsnoer beschadigd raakt en tijdens onderhoudswerkzaamheden.*



*Houd omstanders op afstand.*



*Draag oog- en gehoorbescherming.*



*Draag veiligheidshandschoenen.*



*Gebruik de spindelvergrendeling uitsluitend als de machine stilstaat.*



*Variabele toerentalregeling*

### Algemene veiligheidsaanschuivingen voor schuur-, borstel- en polijstwerkzaamheden:

- a) Dit elektrische gereedschap is bedoeld om als schuurmachine, staalborstel of polijstmachine gebruikt te worden. Lees alle veiligheidsaanschuivingen, instructies en specificaties, en bekijk de afbeeldingen die met dit elektrische gereedschap meegeleverd zijn. Het niet in acht nemen van alle hieronder vermelde instructies kan leiden tot een elektrische schok, brand en/of ernstig letsel.
- b) Het wordt niet aangeraden om werkzaamheden zoals slijpen of afsnijden met dit elektrische gereedschap uit te voeren. Het uitvoeren van werkzaamheden, voor welke dit elektrische gereedschap niet bedoeld is, kan tot gevaarlijke situaties leiden en lichamelijk letsel veroorzaken.
- c) Gebruik geen accessoires die niet specifiek zijn ontworpen en aanbevolen door de fabrikant. Het feit dat een accessoire kan worden bevestigd aan uw machine, betekent niet dat u het veilig kunt gebruiken.
- d) De aangegeven snelheid van de accessoire dient tenminste overeen te komen met de maximale snelheid die is aangegeven op deze machine. Accessoires die sneller draaien dan de gemarkeerde snelheid kunnen breken en in de rondte vliegen.
- e) De buitendiameter en de dikte van uw accessoire dient binnen de aangeduide capaciteit van uw machine te blijven. Accessoires die hier niet aan voldoen kunnen niet voldoende worden beschermd of gecontroleerd.
- f) De asdiameter van schijven, flensen, steunschijven of een andere accessoire moet nauwkeurig passen op de as van de machine. Accessoires met een asdiameter die niet goed

- passen op de machine zullen uit balans raken of extreem vibreren en kunnen leiden tot een situatie waarin u niet in controle bent.
- g) Gebruik geen beschadigde accessoires. Inspecteer elke accessoire voor gebruik, zoals slijpschijven op kerven en breuken, steunschijven op breuken, scheuren of slijtage en staalborstels op loszittende of gebroken draden. Indien uw machine is gevallen, controleer dan op beschadigingen of vervang beschadigde accessoires. Na inspectie en installatie van een accessoire, dient u er voor te zorgen dat uzelf en anderen zich niet in het vlak van de roterende schijf bevinden. Laat de machine zonder enige belasting gedurende een minuut op volle toeren draaien. Beschadigde accessoires zullen normaalgesproken breken tijdens deze testperiode.
- h) Draag beschermende kleding. Draag afhankelijk van de toepassing gezichtsbescherming of een veiligheidsbril. Draag wanneer nodig een stofmasker, gehoorbescherming, handschoenen en een schort dat slijpsel of fragmenten van een werkstuk kan tegen houden. De oogbescherming moet rondvliegende brokstukken die veroorzaakt zijn door diverse handelingen kunnen tegenhouden. Het stofmasker of respirator moet in staat zijn deeltjes die vrij komen door de werkzaamheden weg te filteren. Langdurige blootstelling aan lawaai kan leiden tot gehoorbeschadiging.
- i) Houd toeschouwers op een veilige afstand van het werkgebied. Iedereen die het werkgebied binnentreedt dient een beschermende uitrusting te dragen. Fragmenten van werkstukken of van een gebroken accessoire kunnen wegvliegen en verwondingen veroorzaken buiten het onmiddellijke gebied.
- j) Houd de machine vast bij de geïsoleerde handgrepen of oppervlakken, wanneer u aan het werk gaat en waar het doorsnijden kan leiden tot contact met verborgen bedrading of het eigen snoer. Wanneer een accessoire contact maakt met een draad dat onder stroom staat, kunnen metalen onderdelen van de machine u een schok geven.
- k) Positioneer het snoer veilig uit de buurt van het draaiende accessoire. Indien u de controle verliest, kan het snoer worden doorgesneden of het snoer kan uw hand of arm naar het draaiende accessoire trekken.
- l) Leg de machine nooit neer voordat het accessoire volledig tot stilstand is gekomen. Het draaiende accessoire kan grip krijgen op het oppervlak en de machine kan in beweging komen.
- m) Laat de machine niet werken wanneer u deze verplaatst. Contact van de draaiende accessoire met uw kleding kan er toe leiden dat de accessoire uw lichaam binnen dringt.
- n) Reinig de ventilatieopeningen van de machine regelmatig. De ventilator van de motor zal het stof binnen de behuizing zuigen en een opeenhoping van stof kan leiden tot elektrische risico's.
- o) Gebruik de machine niet nabij brandbare materialen. Deze kunnen door vonken tot ontbranding komen.
- p) Gebruik geen accessoires die vloeibare koelmiddelen nodig hebben. Het gebruik van water of andere vloeistoffen kan leiden tot elektrocutie of een shock.

#### Terugslag en gerelateerde waarschuwingen

Een terugslag is een plotselinge reactie op een draaiende schijf, borstel of ander accessoire dat in contact komt met een uitsteeksel of dat klem komt te zitten. Klem komen te zitten of vastlopen leidt tot het snel overtrekken van de draaiende accessoire wat er toe kan leiden dat de oncontroleerbare machine tegen de draairichting in wordt gedwongen doordat de roterende accessoire zich afzet op de plek waar het vast zit.

Wanneer bijvoorbeeld een slijpschijf stuit op iets hard in een werkstuk, dan zal de schijf in het materiaal grijpen waardoor de schijf uit het materiaal komt of zichzelf omhoog stoot. De schijf kan zowel naar de gebruiker toe schieten als er vandaan, dit is afhankelijk van de beweging van de schijf op het moment dat het contact maakte. Slijpschijven kunnen onder deze condities afbreken.

Een terugslag is het resultaat van misbruik of incorrect gebruik van de machine of omstandigheden en kunnen worden voorkomen door het opvolgen van de hieronder vermelde voorzorgsmaatregelen.

- a) Zorg voor een stevige greep op de machine en plaats uw lichaam en arm op zo'n manier dat u een terugslag kunt opvangen. Gebruik altijd de handgreep wanneer deze is bijgeleverd voor maximale controle bij een terugslag of een torsiereactie bij het starten. De gebruiker

- kan, met de juiste voorzorgsmaatregelen, torsiereacties of een terugslag opvangen.
- Plaat uw hand nooit naast de roterende accessoire. De accessoire kan door een terugslag op uw hand komen.
  - Plaats uw lichaam niet in het gebied waar de machine door de terugslag kan komen. De terugslag zal de machine bewegen in de tegengestelde richting van de schijf op het moment dat deze afketst.
  - Wees extra voorzichtig wanneer u werkt op hoeken, scherpe kanten enz. Vermijd dat de accessoire stuitert of afketst. Hoeken, scherpe kanten of stuiteren leiden gewoonlijk tot het afketsten van de draaiende accessoire en dit kan leiden tot verlies van controle of een terugslag.
  - Bevestig geen houtbewerkingblad of getand zaagblad. Zulke bladen zorgen voor frequente terugslagen en verlies van controle.

### Speciale veiligheidsvoorschriften

- Controleer of het maximum toerental dat op de slijpschijf staat aangegeven, overeenkomt met het maximum toerental van de machine. Het toerental van de machine mag niet hoger zijn dan de waarde op de slijpschijf.
- Let op dat de afmetingen van de slijpschijf overeenkomen met de specificaties van de machine.
- Let op dat de slijpschijf juist is gemonteerd en naar behoren is vastgezet. Gebruik geen verloopringen of adapters om een slijpschijf passend te maken.
- Behandel en bewaar slijpschijven volgens de voorschriften van de leverancier.
- Gebruik de machine niet voor het doorslijpen van werkstukken met een dikte die groter is dan de maximale slijpdiepte van de doorslijpschijf.
- Gebruik geen doorslijpschijven voor afbraamwerkzaamheden.
- Zorg bij gebruik van slijpschijven die op het schroefdraad van de spindel worden bevestigd dat de spindel voldoende schroefdraad heeft. Zorg dat de spindel voldoende beschermd is en niet in contact komt met het slijpoppervlak.
- Inspecteer de slijpschijf voor gebruik op eventuele beschadigingen. Gebruik geen slijpschijven die gebarsten, gescheurd of anderszins beschadigd zijn.
- Laat voor gebruik de machine 30 seconden onbelast draaien. Schakel de machine

onmiddellijk uit als deze aanzienlijk begint te trillen of als een ander defect optreedt.

Controleer de machine en slijpschijf grondig voordat u de machine weer inschakelt.

- Zorg dat een eventuele vonkenregen geen gevaar voor mensen oplevert of wegspat in de richting van licht ontvlambare substanties.
- Zorg dat het werkstuk voldoende wordt ondersteund of ingeklemd. Houd uw handen weg van het te slijpen oppervlak.
- Draag altijd een veiligheidsbril en gehoorbescherming. Gebruik desgewenst of indien nodig andere bescherming, zoals bijvoorbeeld een schort of een helm.
- Zie erop toe dat schijven en punten overeenkomstig de instructies van de fabrikant worden gemonteerd.
- Zorg ervoor dat het vloepapier wordt gebruikt als dit bij het gelaagde schuurproduct wordt geleverd, of als dit nodig is.
- Werk nooit zonder afschermkap, als deze bij een apparaat meegeleverd wordt.
- Bij gereedschap voor schijven met schroefboringen, dient de schroefdraad in de schijf voldoende lengte te hebben om de as onder te kunnen brengen.
- Zorg ervoor dat bij het werken in een stoffige omgeving de ventilatieopeningen vrij gehouden worden. Trek eerst de stekker uit het stopcontact als de stof verwijderd moet worden (gebruik geen metalen voorwerpen). Voorkom hierbij beschadiging van inwendige delen.
- Bij een slecht spanningsnet kunnen bij het starten van de apparatuur korte spanningsvallen optreden. Dit kan andere apparatuur beïnvloeden (bijv. een lamp die gaat knipperen). Bij een impedantie van het net  $Z_{max} < 0.348 \text{ Ohm}$  kan men ervan uitgaan, dat dergelijke verschijnselen zich niet voor zullen doen. (Indien nodig kunt u voor nadere informatie contact opnemen met uw plaatselijke energieleverancier).

Het apparaat onmiddellijk uitzetten bij:

- Overmatig vonken van de koolborstels en ringvuur in de collector.
- Storing in de netstekker, netsnoer of snoerbeschadiging.
- Defecte schakelaar.
- Rook of stank van verschroeide isolatie.

### Elektrische veiligheid

Neem bij het gebruik van elektrische machines altijd de plaatselijk geldende veiligheidsvoorschriften in acht in verband met brandgevaar, gevaar voor elektrische schokken en lichamelijk letsel. Lees behalve onderstaande instructies ook de veiligheidsvoorschriften in het apart bijgevoegde veiligheidskatern door.



*Controleer altijd of uw netspanning overeenkomt met de waarde op het typeplaatje.*



*Klasse II apparaat - Dubbel geïsoleerd - een geaarde stekker is niet noodzakelijk.*

### Bij vervanging van snoeren of stekkers

Wanneer het netsnoer beschadigd raakt, dan dient het vervangen te worden door een speciaal netsnoer dat verkrijgbaar is bij de fabrikant of de customer service van de fabrikant. Gooi oude snoeren of stekkers direct weg zodra ze door nieuwe exemplaren zijn vervangen. Het is gevaarlijk om de stekker van een los snoer in een stopcontact te steken.

### Bij gebruik van verlengsnoeren

Gebruik uitsluitend een goedgekeurd verlengsnoer, dat geschikt is voor het vermogen van de machine. De aders moeten een doorsnede hebben van minimaal 1,5 mm<sup>2</sup>. Wanneer het verlengsnoer op een haspel zit, rol het snoer dan helemaal af.

## 3. MONTAGE



*Haal altijd de stekker uit het stopcontact voordat u toebehoren op de machine aanbrengt.*

### Montage van de handgreep

#### Afb. 2

De handgreep is geschikt voor zowel linkshandig als rechtshandig gebruik.

- Plaats de handgreep zodanig dat de gaten overeenkomen met de schroefgaten van de machine.
- Bevestig de handgreep met de bouten en de zeskant sleutel.

### Montage van de accessoires

#### Afb. 3

- Druk de spindelvergrendeling in
- Schroef de polijstschiifhouder op de spindel en draai deze goed vast
- Ontgrendel de spindelvergrendeling
- Breng de polijstschiif (4) op de houder (5) aan.

### Accessoires

#### Afb. 4

#### Polijstschiif (3)

Deze wordt gebruikt voor hoogglans polijsten en met was polijsten.

#### Wollen polijstschiif (4)

Deze wordt gebruikt voor een hoogglans afwerking.

## 4. GEBRUIK



*Neem altijd de veiligheidsinstructies en de van toepassing zijnde regelgeving in acht.*

- Houd de machine weg van het werkstuk wanneer u deze in- en uitschakelt.
- Schakel na gebruik altijd eerst de machine uit voordat u de stekker uit het stopcontact haalt.

### Toerentalregeling

#### Afb. 5

Met de draaiknop op de bovenzijde van de handgreep kan het toerental van de schijf geregeld worden. Hoe hoger de stand, des te hoger het toerental. Bij het polijsten met was niet met een hoog toerental beginnen.

### In- en uitschakelen

#### Afb. 6

- De machine is uitgerust met een veiligheidsschakelaar.
- De schakelaar van de machine moet eerst worden ontgrendeld door de "lock-off" knop in te drukken.

### Uitschakelen

Laat de schakelaar los.



*De polijstmachine zal nog door blijven draaien nadat deze uitgeschakeld is.*

Leg de machine pas neer, wanneer de motor volledig tot stilstand gekomen is. Plaats de machine niet op een stoffig oppervlak. Er kunnen stofdeeltjes in de machine terechtkomen.



*Gebruik nooit de spindelsleutel om de motor tot stilstand te brengen.*

## 5. SERVICE & ONDERHOUD



*Vergewis u ervan dat de machine van het lichtnet losgekoppeld is wanneer er onderhoudswerkzaamheden aan de motor uitgevoerd worden.*

Deze machine is ontworpen om vele jaren mee te gaan met een minimum aan onderhoud. Regelmatige reiniging en een adequate zorg zijn bepalend voor een continu naar tevredenheid werkende machine.



*Reparaties en onderhoud dienen uitsluitend door een gekwalificeerde technicus of een gespecialiseerd reparatiebedrijf uitgevoerd te worden.*

### Reinigen

Houd de ventilatieopeningen van de machine schoon om oververhitting van de motor te voorkomen. Reinig de behuizing van de machine regelmatig met een zachte doek, bij voorkeur na ieder gebruik. Houd de ventilatieopeningen vrij van stof en vuil. Als het vuil moeilijk te verwijderen is gebruik dan een zachte doek die met wat zeepwater bevochtigd is. Gebruik nooit oplosmiddelen zoals benzine, alcohol, ammonia, water, enz. Deze oplosmiddelen kunnen de plastic delen beschadigen.

### Defecten

Wanneer er een storing optreedt, bijv. door slijtage van een onderdeel, neem dan contact op met het service-adres dat op het garantiebewijs vermeld staat. Achterin deze gebruiksaanwijzing vindt u een opengewerkte tekening met daarin alle onderdelen die besteld kunnen worden.

## MILIEU

Om schade tijdens transport te voorkomen, wordt het apparaat in een stevige verpakking geleverd die voor het grootste gedeelte uit opnieuw te gebruiken materiaal bestaat. Maak daarom a.u.b. gebruik van de mogelijkheid om het verpakkingsmateriaal te recyclen.



*Defecte en/of afgedankte elektrische of elektronische apparatuur moet bij een daarvoor bedoeld recyclingpunt ingeleverd worden.*

### Uitsluitend voor EG-landen

Werp elektrisch gereedschap niet weg bij het huisvuil. Volgens de Europese Richtlijn 2012/19/ EU voor Afgedankte Elektrische en Elektronische Apparatuur en de implementatie ervan in nationaal recht moet niet langer te gebruiken elektrisch gereedschap gescheiden worden verzameld en op een milieuvriendelijke wijze worden verwerkt.

## GARANTIE

Voor de garantievoorwaarden verwijzen wij u naar het meegeleverde garantiebewijs.

**Het product en de gebruikershandleiding zijn onderhevig aan wijzigingen. Specificaties kunnen zonder opgaaf van redenen worden gewijzigd.**



## POLISSEUSE D'ANGLE 1400W - 180MM

### Merci pour avoir acheté ce produit Ferm.

Vous disposez désormais d'un excellent produit, fourni par un des premiers distributeurs d'Europe. Tous les produits qui vous sont livrés par Ferm sont fabriqués selon les standards les plus élevés en ce qui concerne performances et sécurité et sont étayés par une garantie totale et un excellent service après vente.

Nous espérons que vous profiterez pendant de nombreuses années de ce produit.

### Les numeros du texte ci-apres font reference aux schemas de la page 2-4.



*Lisez attentivement ce mode d'emploi avant la mise en service de l'appareil. Familiarisez-vous avec le fonctionnement et la manipulation de l'appareil. Entretenez l'appareil conformément aux instructions, afin qu'il fonctionne parfaitement à chaque utilisation. Ce mode d'emploi et toute documentation relative à l'appareil doivent être conservés près de celui-ci.*

### Table des matières

1. Données sur la machine
2. Consignes de sécurité
3. Montage
4. Utilisation
5. Service & maintenance

### Introduction

Toute utilisation autre que le polissage ou le sablage léger est strictement interdite.

## 1. DONNEES SUR LA MACHINE

### Caractéristiques techniques

Tension	230-240 V~
Fréquence	50 Hz
Puissance absorbée	1400 W
Vitesse à vide	1000-3300/min
Diamètre disque	180 mm
Taille de la broche	M14
Poids	3.3 kg
L <sub>pa</sub> (pression acoustique)	86+3 dB(A)
L <sub>wa</sub> (puissance acoustique)	97+3 dB(A)
Valeur Vibrations	3.51+1.5 m/s <sup>2</sup>

### Niveau de vibrations

Le niveau de vibrations émises indiqué en ce manuel d'instruction a été mesuré conformément à l'essai normalisé de la norme EN 60745; il peut être utilisé pour comparer plusieurs outils et pour réaliser une évaluation préliminaire de l'exposition aux vibrations lors de l'utilisation de l'outil pour les applications mentionnées

- l'utilisation de l'outil dans d'autres applications, ou avec des accessoires différents ou mal entretenus, peut considérablement augmenter le niveau d'exposition
- la mise hors tension de l'outil et sa non-utilisation pendant qu'il est allumé peuvent considérablement réduire le niveau d'exposition

Protégez-vous contre les effets des vibrations par un entretien correct de l'outil et de ses accessoires, en gardant vos mains chaudes et en structurant vos schémas de travail

### Caractéristiques

#### Fig. 1

1. Interrupteur Marche/Arrêt
2. Commande Vitesse
3. Poignée en U
4. Support de patin
5. Verrouillage broche
6. Verrouillage interrupteur

## 2. CONSIGNES DE SECURITE

### Signification des symboles



*Indique un risque de dommage corporel, de mort ou de dommage matériel en cas de non respect des consignes contenues dans ce manuel.*



*Indique un risque de choc électrique. Débranchez immédiatement la prise secteur si le cordon est endommagé et pendant l'entretien de la machine.*



*N'utilisez le verrouillage de l'axe qu'à l'arrêt total.*





*Ne laissez aucune personne s'approcher de la zone de travail.*



*Protégez-vous les yeux et les oreilles.*



*Portez des gants de protection.*



*Contrôle de vitesse variable*

### **Avertissements de sécurité communs pour le ponçage, le brossage métallique ou les opérations de polissage :**

- a) Cet outil électrique est prévu pour fonctionner comme ponceuse, brosse métallique et polisseuse. Lire l'ensemble des avertissements, instructions, illustrations et caractéristiques fournis avec cet outil électrique. Le non-respect de l'ensemble des instructions ci-dessous peut causer une électrocution, un incendie et/ou de graves blessures.
- b) Les opérations telles que le ponçage ou la découpe sont déconseillées avec cet outil électrique. Les opérations pour lesquelles l'outil électrique n'a pas été prévu peuvent représenter un risque et causer des blessures..
- c) Ne pas utiliser d'accessoires non conçus spécifiquement et recommandés par le fabricant d'outils. Le simple fait que l'accessoire puisse être fixé à votre outil électrique ne garantit pas un fonctionnement en toute sécurité.
- d) La vitesse assignée de l'accessoire doit être au moins égale à la vitesse maximale indiquée sur l'outil électrique. Les accessoires fonctionnant plus vite que leur vitesse assignée peuvent se rompre et voler en éclat.
- e) Le diamètre extérieur et l'épaisseur de votre accessoire doivent se situer dans le cadre des caractéristiques de capacité de votre outil électrique. Les accessoires dimensionnés de façon incorrecte ne peuvent pas être protégés ou commandés de manière appropriée.
- f) La taille de mandrin des meules, flasques, patins d'appui ou tout autre accessoire doit s'adapter correctement à l'arbre de l'outil électrique. Les accessoires avec alésages centraux ne correspondant pas aux éléments de montage de l'outil électrique seront en déséquilibre, vibreront excessivement, et pourront provoquer une perte de contrôle.
- g) Ne pas utiliser d'accessoire endommagé. Avant chaque utilisation examiner les accessoires comme les meules abrasives pour détecter la présence éventuelle de copeaux et fissures, les patins d'appui pour détecter des traces éventuelles de fissures, de déchirure ou d'usure excessive, ainsi que les brosses métalliques pour détecter des fils desserrés ou fissurés. Si l'outil électrique ou l'accessoire a subi une chute, examiner les dommages éventuels ou installer un accessoire non endommagé. Après examen et installation d'un accessoire, placez-vous ainsi que les personnes présentes à distance du plan de l'accessoire rotatif et faire marcher l'outil électrique à vitesse maximale à vide pendant 1 min. Les accessoires endommagés seront normalement détruits pendant cette période d'essai.
- h) Porter un équipement de protection individuelle. En fonction de l'application, utiliser un écran facial, des lunettes de sécurité ou des verres de sécurité. Le cas échéant, utiliser un masque antipoussières, des protections auditives, des gants et un tablier capables d'arrêter les petits fragments abrasifs ou des pièces à usiner. La protection oculaire doit être capable d'arrêter les débris volants produits par les diverses opérations. Le masque antipoussières ou le respirateur doit être capable de filtrer les particules produites par vos travaux. L'exposition prolongée aux bruits de forte intensité peut provoquer une perte de l'audition.
- i) Maintenir les personnes présentes à une distance de sécurité par rapport à la zone de travail. Toute personne entrant dans la zone de travail doit porter un équipement de protection individuelle. Des fragments de pièce à usiner ou d'un accessoire cassé peuvent être projetés et provoquer des blessures en dehors de la zone immédiate d'opération.
- j) Tenir l'outil uniquement par les surfaces de préhension isolantes, pendant les opérations au cours desquelles l'accessoire coupant peut être en contact avec des conducteurs cachés ou avec son propre câble. Le contact de l'accessoire coupant avec un fil «sous tension» peut également mettre «sous tension» les

- parties métalliques exposées de l'outil électrique et provoquer un choc électrique sur l'opérateur.
- k) Placer le câble éloigné de l'accessoire de rotation. Si vous perdez le contrôle, le câble peut être coupé ou subir un accroch et votre main ou votre bras peut être tiré dans l'accessoire de rotation.
  - l) Ne jamais reposer l'outil électrique avant que l'accessoire n'ait atteint un arrêt complet. L'accessoire de rotation peut agripper la surface et arracher l'outil électrique hors de votre contrôle.
  - m) Ne pas faire fonctionner l'outil électrique en le portant sur le côté. Un contact accidentel avec l'accessoire de rotation pourrait accrocher vos vêtements et attirer l'accessoire sur vous.
  - n) Nettoyer régulièrement les orifices d'aération de l'outil électrique. Le ventilateur du moteur attirera la poussière à l'intérieur du boîtier et une accumulation excessive de poudre de métal peut provoquer des dangers électriques.
  - o) Ne pas faire fonctionner l'outil électrique à proximité de matériaux inflammables. Des étincelles pourraient enflammer ces matériaux.
  - p) Ne pas utiliser d'accessoires qui nécessitent des réfrigérants fluides. L'utilisation d'eau ou d'autres réfrigérants fluides peut aboutir à une électrocution ou un choc électrique.
- a) Maintenir fermement l'outil électrique et placer votre corps et vos bras pour vous permettre de résister aux forces de rebond. Toujours utiliser une poignée auxiliaire, le cas échéant, pour une maîtrise maximale du rebond ou de la réaction de couple au cours du démarrage. L'opérateur peut maîtriser les couples de réaction ou les forces de rebond, si les précautions qui s'imposent sont prises.
  - b) Ne jamais placer votre main à proximité de l'accessoire en rotation. L'accessoire peut effectuer un rebond sur votre main.
  - c) Ne pas vous placer dans la zone où l'outil électrique se déplacera en cas de rebond. Le rebond pousse l'outil dans le sens opposé au mouvement de la meule au point d'accrochage.
  - d) Apporter un soin particulier lors de travaux dans les coins, les arêtes vives etc. Eviter les rebondissements et les accrochages de l'accessoire. Les coins, les arêtes vives ou les rebondissements ont tendance à accrocher l'accessoire en rotation et à provoquer une perte de contrôle ou un rebond.
  - e) Ne pas fixer de chaîne coupante, de lame de sculpture sur bois, de chaîne coupante ni de lame de scie dentée. De telles lames provoquent des rebonds fréquents et des pertes de contrôle.

### Rebonds et mises en garde correspondantes

Le rebond est une réaction soudaine au pincement ou à l'accrochage d'une meule rotative, d'un patin d'appui, d'une brosse ou de tout autre accessoire. Le pincement ou l'accrochage provoque un blocage rapide de l'accessoire en rotation qui, à son tour, contraint l'outil électrique hors de contrôle dans le sens opposé de rotation de l'accessoire au point du grippage.

Par exemple, si une meule abrasive est accrochée ou pincée par la pièce à usiner, le bord de la meule qui entre dans le point de pincement peut creuser la surface du matériau, provoquant des sauts ou l'expulsion de la meule. La meule peut sauter en direction de l'opérateur ou encore en s'en éloignant, selon le sens du mouvement de la meule au point de pincement. Les meules abrasives peuvent également se rompre dans ces conditions.

Le rebond résulte d'un mauvais usage de l'outil et/ou de procédures ou de conditions de fonctionnement incorrectes et peut être évité en prenant les précautions appropriées spécifiées ci-dessous.

### Consignes de sécurité spéciales

- Vérifiez si la vitesse maximale mentionnée sur la meule correspond à la vitesse maximale de la machine. La vitesse de la machine ne doit pas dépasser la valeur indiquée sur la meule.
- Veillez à ce que les dimensions de la meule correspondent aux spécifications de la machine.
- Assurez-vous que la meule est correctement montée et convenablement fixée. N'utilisez jamais des bagues de réduction ou des adaptateurs pour ajuster la meule.
- Manipulez et conservez les meules conformément aux instructions du fournisseur.
- N'utilisez pas la machine pour tronçonner des pièces dont l'épaisseur est supérieure à la profondeur de meulage maximale du disque de tronçonnage.
- N'utilisez pas de disques de tronçonnage pour des travaux d'ébarbage.
- En cas d'usage de meules fixées sur le filetage de l'arbre, veillez à ce que cet arbre ait d'un filet suffisant. Assurez-vous que l'arbre est suffisamment protégé et ne vient pas au

contact de la surface à meuler.

- Avant de l'utiliser, examiner la meule quant à la présence d'éventuels endommagements. N'utilisez pas de meules fendues, fissurées ou autrement endommagées.
- Avant d'utiliser la machine, faites la tourner à vide pendant 30 secondes. Éteignez immédiatement la machine si elle se met à vibrer beaucoup ou si un autre défaut apparaît. Vérifiez soigneusement l'état de la machine et de la meule avant de rallumer la machine.
- Assurez-vous qu'une éventuelle gerbe d'étincelles ne présente aucun danger pour les personnes ni qu'elle saute en direction de matières hautement inflammables.
- Veillez à ce que la pièce à ouvrir est suffisamment soutenue ou bloquée. Tenez vos mains éloignées de la surface à meuler.
- Portez toujours des lunettes de sécurité et un système de protection auditive. Utilisez si vous le désirez, ou si c'est nécessaire, un autre moyen de protection comme un tablier ou un casque par exemple.
- Assurez-vous que les disques et les parties actives sont montés conformément aux instructions du fabricant.
- Veillez à utiliser les bords livrés avec les parties abrasives, le cas échéant.
- Si une garde de protection est livrée avec l'appareil, utilisez-la systématiquement.
- Pour les outils à visser sur le disque, assurez-vous que la profondeur du pas de vis du disque et la longueur de la broche sont identiques.
- Lorsque l'appareil dégage de la poussière au cours de son utilisation, assurez-vous que les trous d'aération ne sont pas obturés. Pour les dépoussiérer, débranchez d'abord l'appareil du secteur, nettoyez-le à l'aide d'un objet non métallique en prenant garde de ne pas endommager les pièces situées à l'intérieur.
- Selon l'état de votre installation électrique, de brèves baisses de tension électrique peuvent se produire lors de la mise en marche de l'appareil. Elles peuvent se manifester sur d'autres appareils électriques (ex. : clignotement d'une ampoule). Ces baisses de tension seront évitées, si le  $Z_{max}$  du rapport installation électrique/impédance est inférieur à 0.348 ohm. (pour de plus amples informations, veuillez vous adresser à votre agence EDF locale).

Arrêter immédiatement l'appareil en cas de:

- Étinceler démesurément des balais et feu annulaire dans le collecteur.
- Court-circuit de la fiche-secteur ou du fil d'alimentation ou endommagement du fil d'alimentation.
- Interrupteur défectueux.
- Fumée ou odeur d'isolant brûlé.

### Consignes de sécurité électrique

Lors d'utilisation de machines électriques, observez les consignes de sécurité locales en vigueur en matière de risque d'incendie, de chocs électriques et de lésion corporelle. En plus des instructions ci-dessous, lisez entièrement les consignes de sécurité contenues dans le cahier de sécurité fourni à part.



*Vérifiez toujours si la tension de votre réseau correspond à la valeur mentionnée sur la plaque signalétique.*



*Machine de la classe II – Double isolation – vous n'avez pas besoin d'une prise avec mise à terre.*

### En cas de changement de câbles ou de fiches

Si le câble d'alimentation électrique est endommagé, il doit être remplacé par un câble d'alimentation électrique spécial disponible auprès du fabricant ou de son service clientèle. Jetez les vieux câbles ou prises immédiatement après les avoir remplacés par de nouveaux. Il est dangereux de brancher un câble lâche.

### En cas d'emploi de câbles prolongateurs

Employez exclusivement un câble pro longateur homologué, dont l'usage est approprié pour la puissance de la machine. Les fils conducteurs doivent avoir une section minimale de 1,5 mm<sup>2</sup>. Si le câble prolongateur se trouve dans un dévidoir, déroulez entièrement le câble.

## 3. MONTAGE



*Débranchez toujours votre outil avant d'y monter un accessoire.*

## Montage de la poignée

### Fig. 2

La poignée est prévue à la fois pour les droitiers et les gauchers.

- Installez la poignée de façon que les trous correspondent aux trous de vis situés sur la machine.
- Fixez la poignée (4) à l'aide des boulons (5) et de la clé hexagonale.

## Montage des accessoires

### Fig. 3

- Enfoncer le dispositif de verrouillage de la broche.
- Vissez et serrez le support de patin sur la broche.
- Relâchez le dispositif de verrouillage de la broche.
- Installez le patin de polissage sur le support de patin.

## Accessoires

### Fig. 4

#### Patin de polissage (3)

Il est utilisé pour le lustrage, le polissage et le cirage.

#### Patin de polissage en laine (4)

Il est utilisé pour une finie très brillante.

## 4. UTILISATION



*Respectez toujours les consignes de sécurité et la réglementation applicable.*

- Éloignez la machine de la pièce sur laquelle vous intervenez lorsque vous allumez ou que vous éteignez la machine.
- Arrêtez toujours la machine après utilisation avant de la débrancher de la prise secteur.

## Commande de la vitesse

### Fig. 5

La vitesse du disque peut être contrôlée grâce au bouton rotatif qui se trouve au dessus de la poignée. Plus la position du bouton est haute, plus la vitesse est élevée. Lors de l'application de la cire et du polissage ne démarrez pas à pleine puissance.

## Mise en marche et arrêt

### Fig. 6

- Prenez soin que la meuleuse angulaire soit toujours en ralenti (sans charge) si vous branchez ou coupez.
- Avant de mettre en marche la machine, appuyez sur la touche "débloquer" (pour le déblocage de l'interrupteur) et branchez la machine.

## Arrêtez

Relâchez l'interrupteur.



*La polisseuse continue à tourner après avoir été éteinte.*

Ne posez la machine qu'après que le moteur ait complètement arrêté de tourner. Ne posez pas la machine sur une surface poussiéreuse. La poussière pourrait pénétrer à l'intérieur.



*N'utilisez jamais la clé de la broche pour arrêter le moteur de tourner.*

## 5. SERVICE & MAINTENANCE



*Assurez-vous que la machine est débranchée avant d'intervenir sur le moteur.*

Cette machine a été conçue pour fonctionner un maximum de temps avec un minimum d'entretien. Le fonctionnement satisfaisant de la machine dépend des soins et du nettoyage réguliers qui lui sont apportés.



*Les réparations et l'entretien ne doivent être réalisés par des techniciens qualifiés ou une société de réparation.*

## Nettoyage

Maintenez propres les fentes d'aération de la machine afin d'éviter les surchauffes du moteur. Nettoyez régulièrement le corps de la machine avec un chiffon doux et de préférence après chaque utilisation. Maintenez les fentes d'aération exemptes de poussière ou de saletés. Si les saletés ne partent pas, utilisez un chiffon doux humidifié avec une eau savonneuse. N'utilisez jamais de solvants à base de pétrole, d'alcool,

d'ammoniaque, etc. Ces solvants pourraient endommager les parties en plastique.

### Pannes

En cas de panne, après l'usure d'une des pièces par exemple, contactez le service dont les coordonnées se trouvent sur la carte de garantie. Au dos de ce manuel, vous trouverez une vue explosée montrant chacune des pièces pouvant être commandées.

## ENVIRONNEMENT

Afin d'éviter tout dommage pendant le transport, l'appareil est livré dans un emballage solide composé principalement de matériaux recyclables. Nous vous demandons donc de recycler cet emballage.



*Les appareils électriques et électroniques en panne et/ou jetés doivent être mis au rebut dans des centres de recyclage appropriés.*

### Uniquement pour les pays CE

Ne jetez pas les outils électriques avec les déchets domestiques. Selon la directive européenne 2012/19/EU « Déchets d'équipements électriques et électroniques » et sa mise en œuvre dans le droit national, les outils électriques hors d'usage doivent être collectés séparément et mis au rebut de manière écologique.

## GARANTIE

Les conditions de garantie figurent séparément sur la carte de garantie jointe.

**Le produit et le manuel d'utilisation sont sujets à modifications. Les spécifications peuvent changer sans autre préavis.**

## PULIDORA ANGULAR 1400W - 180MM

### Gracias por adquirir este producto Ferm.

Ahora dispone de un producto excelente, proporcionado por uno de los principales distribuidores de Europa. Todos los productos Ferm ofrecen los niveles más altos de calidad en cuanto a funcionamiento y seguridad y, como parte de nuestra filosofía, prestamos un servicio superior de atención al cliente avalado por nuestro sello de garantía total. Esperamos que disfrute utilizando este producto durante muchos años.

**Los números contenidos en el texto siguiente se refieren a las ilustraciones de la página 2-3.**



*Lea atentamente estas instrucciones de uso antes de poner el aparato en funcionamiento. Póngase al corriente con la forma de funcionamiento y el manejo. Cuide la máquina de acuerdo con las instrucciones para que funcione siempre de forma correcta. Las instrucciones de uso y la correspondiente documentación deben guardarse en la proximidad de la máquina.*

### Contenido

1. Datos de la máquina
2. Instrucciones de seguridad
3. Montaje
4. Uso
5. Servicio & mantenimiento

### Introducción

Cualquier otro uso distinto al pulido y al ligero lijado queda completamente prohibido.

## 1. DATOS DE LA MÁQUINA

### Especificaciones técnicas

Voltaje	230-240 V~
Frecuencia	50 Hz
Entrada de alimentación	1400 W
Velocidad sin carga	1000-3300/min
Diámetro del disco	180 mm
Dimensión del husillo	M 14
Peso	3.3 kg
Lpa (nivel de presión sonora)	86+3 dB(A)
Lwa (nivel sonoro)	97+3 dB(A)
Valor de vibración	3.51+1.5 m/s <sup>2</sup>

### Nivel de vibración

El nivel de emisión de vibraciones indicado en este manual de instrucciones ha sido medido según una prueba estándar proporcionada en EN 60745; puede utilizarse para comparar una herramienta con otra y como valoración preliminar de la exposición a las vibraciones al utilizar la herramienta con las aplicaciones mencionadas.

- al utilizarla para distintas aplicaciones o con accesorios diferentes o con un mantenimiento deficiente, podría aumentar de forma notable el nivel de exposición.
- en las ocasiones en que se apaga la herramienta o cuando está funcionando pero no está realizando ningún trabajo, se podría reducir el nivel de exposición de forma importante.

Protéjase contra los efectos de la vibración realizando el mantenimiento de la herramienta y sus accesorios, manteniendo sus manos calientes y organizando sus patrones de trabajo.

### Características

Fig. 1

1. Interruptor de encendido/apagado
2. Control de velocidad
3. Asa en forma de U
4. Soporte básico
5. Bloqueo del husillo
6. Bloqueo del interruptor

## 2. INSTRUCCIONES DE SEGURIDAD

### Explicación de los símbolos



*Si no se observan las instrucciones de este manual, se corre el riesgo de sufrir pérdidas, lesiones personales o incluso la muerte y daños en la máquina.*



*Indica un riesgo de electrocución. Desenchufe inmediatamente la conexión a la red eléctrica en caso de resultar dañado el cable de corriente y durante los trabajos de mantenimiento.*



*Utilice el seguro cuando el eje esté completamente detenido.*



*Mantenga a los presentes a una distancia prudencial de la zona de trabajo.*



*Lleve protectores para los ojos y los oídos.*



*Lleve guantes de seguridad.*



*Control para cambio de velocidad.*

### Advertencias de seguridad comunes para las operaciones de lijado, cepillado o pulido:

- a) Esta herramienta eléctrica está concebida para utilizarse como lijadora, cepilladora o pulidora. Lea todas las advertencias de seguridad, instrucciones, ilustraciones y especificaciones provistas con esta herramienta eléctrica. El incumplimiento de las instrucciones que se indican a continuación podría provocar una descarga eléctrica, un incendio y/o lesiones graves.
- b) No se recomienda el uso de esta herramienta eléctrica para operaciones de molido o corte. Su uso para operaciones para las que la herramienta no ha sido diseñada puede ocasionar peligro y lesiones personales.
- c) No utilice accesorios que no estén especialmente diseñados y aconsejados por el fabricante de la herramienta. El hecho de que el accesorio pueda conectarse a su herramienta eléctrica, no le garantiza su funcionamiento seguro.
- d) La velocidad indicada del accesorio deberá ser al menos igual a la velocidad máxima marcada en la herramienta eléctrica. Los accesorios que funcionan más rápido que su velocidad indicada podrán romperse y explotar.
- e) El diámetro exterior y el grosor de su accesorio deberá ser conforme con la capacidad de su herramienta eléctrica. Los accesorios con tamaños incorrectos puede que no estén adecuadamente a salvo o controlados.
- f) El tamaño de armazón de las ruedas, pestañas, soportes posteriores u otros accesorios deberán ajustarse adecuadamente al eje de la herramienta eléctrica. Los accesorios con orificios de armazón que no cumplan con el material de montaje de la herramienta eléctrica

funcionarán de forma desequilibrada, vibrando excesivamente y podrán provocar pérdidas de control.

- g) No utilice accesorios dañados. Antes de cada uso, inspeccione los accesorios como las ruedas abrasivas en busca de astillas o roturas, las roturas del soporte trasero o el desgaste excesivo, el cepillo de cables en busca de cables rotos o sueltos. Si la herramienta electrónica o los accesorios se han caído, inspeccione los posibles daños o instale un accesorio no dañado. Tras inspeccionar e instalar un accesorio, ubíquese Vd. y los que le rodean lejos del plano del accesorio de giro y encienda la herramienta eléctrica a máxima velocidad sin carga durante un minuto. Los accesorios dañados se romperán normalmente durante este periodo de prueba.
- h) Lleve un equipo personal de protección. En función de la aplicación, utilice una máscara de rostro, guantes de protección y gafas de seguridad. Según convenga, lleve máscara contra el polvo, protectores acústicos guantes y delantales de trabajo capaces de parar cualquier abrasivo pequeño o los fragmentos de la pieza de trabajo. La protección visual debe poder parar los restos volantes generados por varias operaciones. La máscara de polvo o el respirador deberán poder filtrar las partículas generadas por su funcionamiento. Una exposición prolongada a ruidos de alta intensidad podrá provocar pérdidas auditivas.
- i) Haga que su alrededor guarde una distancia de seguridad con la zona de trabajo. Cualquiera que entre en la zona de trabajo deberá llevar equipos de protección personal. Los fragmentos de la pieza de trabajo o de un accesorio roto podrán volar y provocar daños personales en la zona inmediata de la operación.
- j) Mantenga exclusivamente la herramienta eléctrica por las superficies de agarre, cuando realice una operación en la que el accesorio de corte podrá ponerse en contacto con los cables ocultos o con su propio cable. Corte los accesorios que entren en contacto con un cable en vivo, podrán pasar la corriente a las partes metálicas expuestas de la herramienta eléctrica conectada y electrocutar al operador.
- k) Ubique el cable lejos de los accesorios punzantes. Si pierde el control, el cable podrá ser cortado o resquebrajado y su mano o

brazo podrá ser empujada hacia el accesorio punzante.

- l) Nunca deje la herramienta eléctrica hacia abajo hasta que el accesorio se haya parado al completo. El accesorio punzante podrá destrozar la superficie y tirar del cable de la herramienta fuera de su control.
- m) No encienda la herramienta eléctrica mientras la traslade en su lateral. El contacto accidental con un accesorio punzante podrá dañar su ropa, tirar del accesorio hacia su cuerpo.
- n) Limpie regularmente los orificios de ventilación de la herramienta eléctrica. El ventilador del motor quitará el polvo ubicado dentro de la carcasa y la acumulación excesiva de metal en polvo podrá provocar daños eléctricos.
- o) No opere la herramienta eléctrica cerca de materiales inflamables. Las chispas podrán incendiar estos materiales.
- p) No utilice accesorios que exijan refrigerantes líquidos. El uso de agua o de cualquier refrigerante líquido podrá conllevar electrocuciones o choques.

#### **Extensión y otras advertencias relacionadas**

La extensión es una reacción repentina a una rueda giratoria pinchada o estropeada, cepillo, soporte posterior o cualquier otro accesorio. El pinchazo o el estallido provoca un rápido deterioro del accesorio giratorio que si funciona, hace que la herramienta eléctrica incontrolada se fuerce en dirección opuesta al sentido de giro del accesorio en el punto de rotura.

Por ejemplo, si una rueda abrasiva se engancha o se pincha mediante la pieza de trabajo, el borde de la rueda que entre en el punto de pinchado podrá dañar la superficie del material, provocando que la rueda suba o estalle. La rueda podrá saltar hacia atrás o hacia el operador, en función de la dirección del movimiento de la rueda en el momento del pinchazo. Ruedas abrasivas también podrán romperse bajo estas condiciones.

La extensión es el resultado de un uso incorrecto de la herramienta eléctrica o de una aplicación incorrecta de las instrucciones de funcionamiento o de las condiciones y podrá evitarse adoptando las precauciones citadas a continuación.



- a) Mantenga un agarre firme en la herramienta eléctrica y coloque su cuerpo y brazo de forma que pueda resistir a las fuerzas de extensión. Utilice siempre un asa auxiliar, si se suministra, para lograr el máximo control de la extensión o de la reacción de la broca durante el inicio. El operador puede controlar las reacciones de broca o las fuerzas de extensión, si se adoptan las precauciones oportunas.
- b) No coloque nunca su mano junto al accesorio giratorio. El accesorio podrá extenderse sobre su mano.
- c) No coloque su cuerpo en la zona en donde la herramienta eléctrica se moverá una extensión ocurre. La extensión empujará la herramienta en el sentido contrario al movimiento de la rueda en el punto de fallo.
- d) Preste especial atención cuando trabaje en esquinas, bordes afilados, etc. Evite los saltos y los desgarres del accesorio. Las esquinas, bordes afilados o los saltos tienden a dañar los accesorios giratorios, y provocan una pérdida de control o una extensión.
- e) No una la cuchilla de sierra de madera ni una cuchilla de sierra dentada. Dichas cuchillas crean extensiones frecuentes y pérdidas de control habituales.

#### Instrucciones especiales de seguridad

- Asegúrese de que el número de revoluciones máximo que aparece en el disco amolador coincide con el número de revoluciones máximo del aparato. El número de revoluciones del aparato no puede ser mayor que el valor indicado en el disco amolador.
- Asegúrese de que las medidas del disco amolador coinciden con las especificaciones del aparato.
- Asegúrese de que el disco amolador ha sido montado y fijado correctamente. No utilice una anilla o un adaptador para fijar el disco.
- Trate y guarde los discos amoladores de acuerdo con las indicaciones del fabricante.
- No utilice el aparato para tronzar piezas cuyo grosor sea mayor que el grosor máximo de pulido de la sierra circular.
- No utilice una sierra circular para desbarbar.
- Al usar un disco amolador fijado al husillo, asegúrese de que éste tiene suficiente rosca. Asegúrese de que el husillo está adecuadamente protegido y de que no puede entrar en contacto con la superficie que se va a pulir.
- Antes de iniciar cualquier tarea, asegúrese de que el disco no presenta roturas. Nunca utilice un disco que presente cortes, fisuras o cualquier rotura.
- Antes de empezar a utilizar el amolador, deje girar el disco durante 30 segundos. Desconecte el aparato tan pronto éste empiece a vibrar anormalmente o cuando se presente cualquier otra anomalía. Revise cuidadosamente el aparato antes de volver a conectarlo.
- Asegúrese de que la lluvia de chispas no resulta peligrosa para las personas presentes ni que se dirija hacia un lugar donde se encuentran sustancias inflamables.
- Asegúrese de que la pieza está debidamente sujeta. Mantenga las manos lejos de la superficie de trabajo.
- Utilice siempre unas gafas protectoras y auriculares. Si lo desea o en caso necesario, utilice otras medidas de seguridad adicionales como, por ejemplo, un delantal o un casco protector.
- Asegúrese de que el montaje de los discos y las puntas es fiel a las instrucciones del fabricante.
- Asegúrese de utilizar los discos de papel secante si vienen con el producto abrasivo aglomerado y si son necesarios.
- Si se suministra una protección para la herramienta, no utilice la herramienta sin dicha protección.
- Para herramientas utilizadas con disco rectificador de roscas, asegúrese de que la rosca del disco es lo bastante larga para permitir la longitud del eje.
- Asegúrese de que nada tapa las aberturas de ventilación si se trabaja en superficies con polvo. Si fuera necesario quitar el polvo, desenchufe la herramienta, no utilice objetos metálicos y procure no dañar ninguna pieza interna.
- Al iniciar el equipo, pueden darse bajadas de tensión en caso de que la red eléctrica estuviera en malas condiciones. Esto puede afectar a otros aparatos (por ejemplo, parpadeo de una lámpara). Es poco probable que ocurra si la impedancia de la red es  $Z_{max} < 0.348 \text{ Ohm}$ . (Puede consultar a su distribuidor local para más información si hiciera falta.)



Desconecte inmediatamente la máquina siempre que:

- Clavija de red defectuosa, cable de conexión a la red defectuoso o deterioros del cable;
- Interruptor defectuoso.
- Chispas en las escobillas de carbón o en el conmutador
- Humo o mal olor de aislamiento quemado.

### Instrucciones de seguridad relativas a la electricidad

Durante la utilización de aparatos eléctricos se observarán las normas de seguridad que rigen en el país en cuestión para reducir el peligro de incendio, electrocución y las lesiones. Léanse y ténganse en cuenta las siguientes instrucciones de seguridad y las que acompañan a los aparatos.



*Compruebe siempre que la tensión de red corresponde con la especificada en la placa de modelo.*



*Su máquina goza de doble aislamiento; por lo tanto, no requiere ninguna puesta a tierra.*

### Sustitución de cables y conectores

Deséchense los cables y conectores una vez sustituidos inmediatamente. Es peligroso conectar el enchufe de un cable defectuoso a una toma de corriente.

### Uso de los cables de extensión

Utilice exclusivamente un cable de extensión aprobado para la entrada de alimentación de la máquina. El tamaño mínimo del conductor es 1.5 mm<sup>2</sup>. Cuando utilice una bobina de cable, deshaga siempre la bobina al completo.

## 3. MONTAJE



*Antes de montar un accesorio, desconecte la herramienta siempre.*

### Montar el asa

#### Fig. 2

El asa es adecuada tanto para diestros como para zurdos.

- Instale el asa de modo que sus orificios correspondan con los orificios de la máquina.

- Apriete el asa con los tornillos y la llave hexagonal.

### Accesorios de ensamblado

#### Fig. 3

- Pulse el bloqueo del husillo
- Atornille y apriete el soporte en el husillo
- Oprima el bloqueo del husillo
- Monte el soporte de pulido (4) en el soporte básico (5).

### Accesorios

#### Fig. 4

#### Base de pulido (3)

Se utiliza para realizar un pulido y un encerado de gran brillo.

#### Base de pulido de lana (4)

Se utiliza para un acabado altamente brillante.

## 4. USO



*Siga siempre las instrucciones de seguridad y respete las normativas aplicables.*

- Mantenga alejada la máquina de la pieza de trabajo cada vez que la encienda y la apague.
- Apague siempre la máquina tras su uso antes de sacar el cable del enchufe.

### Control de la velocidad

#### Fig. 5

La velocidad del disco puede controlarse mediante la rueda giratoria ubicada en la parte superior del asa. Cuanto más alta sea la posición, mayor será la velocidad. Al aplicar la cera y el pulido, no empiece a alta velocidad.

### Conexión y desconexión

#### Fig. 6

- Esta máquina está equipada con un interruptor de seguridad.
- Para empezar a trabajar con la máquina, pulse el botón de “desenclavamiento” (para desbloquear el interruptor) y conéctela. Asegúrese de que la afiladora angular siempre funciona en vacío (este es sin carga) al enchufar y desenchufar.

**Apagado**

Libere el interruptor.



*El pulidor seguirá funcionando tras apagar el aparato.*

Tan sólo tumbe la máquina cuando el motor haya acabado de girar por completo. No coloque la máquina en una superficie con polvo. Las partículas de polvo pueden penetrar en la máquina.



*No utilice nunca la llave del husillo para interrumpir el giro del motor.*

**5. SERVICIO & MANTENIMIENTO**

*Asegúrese de desconectar la máquina de la red eléctrica cuando se tengan que realizar trabajos de mantenimiento en el motor.*

Esta máquina ha sido diseñada para operar durante un periodo muy largo de tiempo, exigiendo muy pocas operaciones de mantenimiento. La continuación de su funcionamiento satisfactorio dependerán del cuidado adecuado de la máquina y de la limpieza regular de la misma.



*Las reparaciones y el servicio tan sólo deberán llevarse a cabo por un técnico cualificado o una empresa de reparación habilitada.*

**Limpieza**

Mantenga limpios los orificios de ventilación de la máquina para evitar que el motor se sobrecaliente. Limpie las cubiertas de la máquina periódicamente con un paño suave, preferiblemente después de cada uso. Mantenga las ranuras de ventilación libres de toda suciedad y polvo. Si no consigue eliminar la suciedad, utilice un paño suave humedecido con agua y jabón. No utilice nunca disolventes como el petróleo, el alcohol, el amoníaco, etc. Estos disolventes podrán dañar las partes de plástico del aparato.

**Fallos**

Si tiene lugar algún fallo, por ejemplo, después del desgaste de una pieza, póngase en contacto con la dirección del servicio técnico que figura en la tarjeta de garantía. En la contraportada de este manual se adjunta un despiece de las piezas que pueden adquirirse.

**MEDIO AMBIENTE**

Para prevenir daños durante el transporte, el producto se suministra en un embalaje resistente que está compuesto por materiales reutilizables. Por ello se ruega hacer uso de todas las opciones posibles para reciclar el embalaje.



*Los aparatos eléctricos o electrónicos averiados o fuera de servicio se desecharán en los puntos de reciclaje pertinentes.*

**Sólo para países CE**

No deseche las herramientas eléctricas con los residuos domésticos. De conformidad con la Directiva Europea 2012/19/EU sobre residuos de aparatos eléctricos y electrónicos y su implementación en el derecho nacional, las herramientas eléctricas que dejen de funcionar deben recogerse por separado y desecharse de forma respetuosa con el medio ambiente.

**GARANTÍA**

Las condiciones de la garantía se encuentran en la tarjeta de garantía adjunta.

**El producto y el manual de usuario están sujetos a cambios. Las especificaciones pueden modificarse sin previo aviso.**

## POLIDOR DE ÂNGULOS 1400W - 180MM

**Obrigado por ter adquirido este produto Ferm.** Agora possui um produto excelente, fornecido por um dos principais distribuidores Europeus.

Todos os produtos que lhe são entregues pela Ferm são fabricados segundo as mais rigorosas normas de desempenho e segurança, e como parte da nossa filosofia, disponibilizamos um excelente serviço ao cliente acompanhado da nossa garantia total.

Esperamos que goze a utilização deste produto durante muitos anos.

**Os números no texto seguinte correspondem às figuras da página 2 - 3.**



*Leia este manual de instruções com atenção antes de colocar o aparelho em funcionamento. Familiarize-se com o modo de funcionamento e de operação. Efectue a manutenção ao aparelho de acordo com as indicações, de forma a garantir um bom funcionamento. O manual de instruções e a documentação correspondente devem ser guardadas perto do aparelho.*

### Índice

1. Dados sobre o equipamento
2. Instruções de segurança
3. Montagem
4. Utilização
5. Assistência e manutenção

### Introdução

Qualquer outra utilização, que não inclua polimento e areamento ligeiro é estritamente proibida.

## 1. DADOS SOBRE O EQUIPAMENTO

### Especificações técnicas

Tensão	230-240 V~
Frequência	50 Hz
Potência de entrada	1400 W
Velocidade sem carga	1000-3300/min
Diâmetro do disco	180 mm
Dimensão do fuso	M 14

Peso	3.3 kg
L <sub>pa</sub> (pressão sonora)	86+3 dB(A)
L <sub>wa</sub> (potência acústica)	97+3 dB(A)
Valor da vibração	3.51+1.5 m/s <sup>2</sup>

### Nível de vibração

O nível de emissão de vibrações indicado na parte posterior deste manual de instruções foi medido de acordo com um teste normalizado fornecido na EN 60745; pode ser utilizado para comparar uma ferramenta com outra e como uma avaliação preliminar de exposição à vibração quando utilizar a ferramenta para as aplicações mencionadas

- utilizar a ferramenta para diferentes aplicações ou com acessórios diferentes ou mantidos deficiente, pode aumentar significativamente o nível de exposição
- o número de vezes que a ferramenta é desligada ou quando estiver a trabalhar sem fazer nada, pode reduzir significativamente o nível de exposição

Proteja-se contra os efeitos da vibração, mantendo a ferramenta e os acessórios, mantendo as mãos quentes e organizando os padrões de trabalho

### Características

#### Fig.1

1. Botão Ligar/Desligar
2. Controlo de velocidade
3. Pega em forma de U
4. Porta-bloco
5. Bloqueio do fuso
6. Bloqueio do interruptor

## 2. INSTRUÇÕES DE SEGURANÇA

### Explicação dos símbolos



*Aviso de perigo de ferimento, de perigo de morte ou de risco de danificar a máquina se as indicações contidas no manual de instruções não forem respeitadas.*



*Indica perigo adveniente de tensão eléctrica.*



*Utilizar o bloqueio de rotação apenas em modo de paragem.*



*Perigo de incêndio.*



*Mantenha as pessoas à distância.*



*Utilize protecção visual e auditiva.*



*Use luvas de protecção.*



*Controlo de velocidade variável*

### **Avisos de Segurança Comuns para operações de Alisamento, Escovagem de Fios ou Polimento:**

- a) Esta ferramenta eléctrica destina-se a funcionar como lixadora, escova de fios, polidora. Leia todos os avisos de segurança, instruções, ilustrações e especificações fornecidos juntamente com esta ferramenta eléctrica. O incumprimento de todas as instruções listadas abaixo poderá resultar em choque eléctrico, incêndio e/ou ferimentos graves.
- b) Não se recomenda o uso desta ferramenta eléctrica em operações tais como rectificação ou corte. As operações para as quais a ferramenta eléctrica não foi criada poderão criar um perigo e causar ferimentos pessoais.
- c) Não utilize acessórios que não sejam especificamente concebidos e recomendados pelo fabricante de ferramentas. O facto do acessório poder ser montado na ferramenta eléctrica não garante um funcionamento em segurança.
- d) A velocidade nominal do acessório deve ser, pelo menos, igual à velocidade máxima assinalada na ferramenta eléctrica. Os acessórios que funcionem a velocidade superior à respectiva velocidade nominal podem partir e ser projectados.
- e) O diâmetro exterior e a espessura do seu acessório deve situar-se dentro o intervalo de capacidade da sua ferramenta eléctrica. Os acessórios com dimensão incorrecta não podem ser guardados ou controlados adequadamente.
- f) O caramanchão das rodas, as flanges, os suportes de apoio e qualquer outro acessório devem encaixar correctamente no fuso da ferramenta eléctrica. Os acessórios com orifícios de caramanchão que não correspondam ao sistema de montagem da ferramenta eléctrica perdem equilíbrio, vibram excessivamente e podem causar perda de controlo.
- g) Não utilize acessórios danificados. Antes de cada utilização, inspecione se os acessórios, tais como rodas abrasivas, apresentam fendas e rachas, se o suporte de apoio tem rachas, se está gasto ou excessivamente gasto, se a escova metálica apresenta fios soltos ou rompidos. Se deixar cair a ferramenta eléctrica ou os acessórios, verifique se apresenta danos ou coloque um acessório não danificado. Depois de inspecionar e instalar o acessório, você e quaisquer pessoas que estejam perto devem afastar-se da área do acessório de rotação e coloque a ferramenta eléctrica a funcionar à velocidade máxima sem carga durante 1 minuto. Os acessórios danificados normalmente quebram durante este período de tempo de teste.
- h) Use equipamento de protecção pessoal. Dependendo da aplicação, utilize um escudo facial, e óculos de segurança ou de protecção. Conforme adequado, use uma máscara anti-poeira, protecção auricular, luvas e avental de oficina que impeçam a entrada de pequenas poeiras abrasivas. A protecção ocular protege a vista contra quaisquer partículas que sejam projectadas pelas várias operações. A máscara anti-poeira deve ter capacidade para filtrar as partículas geradas pelas operações. A exposição prolongada a ruído de elevada intensidade pode causar lesões auditivas.
- i) Mantenha os transeuntes a uma distância segura da área de trabalho. Qualquer pessoa que entre na área de trabalho deve usar equipamento de protecção pessoal. Podem ser projectados fragmentos de peças de trabalho de um acessório partido e causar lesões para além da área imediata de operação.
- j) Segure a ferramenta eléctrica apenas pelas superfícies de fixação isoladas, quando efectuar uma operação em que o acessório de corte possa entrar em contacto com fios escondidos ou o próprio cabo. O acessório de corte que está em contacto com o fio "ligado à corrente" pode

ficar exposto às partes metálicas expostas da ferramenta eléctrica “ligada à corrente” e causar choques no utilizador.

- k) Afaste o cabo do acessório rotativo. Se perder o controlo, o cabo pode ser cortado ou emaranhar-se e a sua mão ou braço podem ser puxados para o acessório rotativo.
- l) Só deve pousar a ferramenta eléctrica depois do acessório parar por completo. O acessório rotativo pode prender-se na superfície e fazer com que perca o controlo da ferramenta eléctrica.
- m) Não ligue a ferramenta eléctrica quando a transportar de lado. O contacto acidental com o acessório rotativo pode ficar emaranhado na roupa, puxando o acessório para junto do corpo.
- n) Limpe regularmente as aberturas de ventilação da ferramenta eléctrica. A ventoinha do motor atrai poeira para dentro da caixa e a acumulação excessiva de metal em pó pode causar problemas eléctricos.
- o) Não utilize a ferramenta eléctrica perto de materiais inflamáveis. As faíscas podem inflamar estes materiais.
- p) Não use acessórios que utilizem refrigerantes líquidos. A utilização de água ou de outros líquidos refrigerantes pode resultar em electrocussão ou choque eléctrico.

### Ricochete e avisos relacionados

O ricochete é uma reacção súbita ao movimento de uma roda, suporte de apoio, escova ou de qualquer outro acessório comprimido ou preso. O facto do acessório ficar comprimido ou preso pode causar uma paragem rápida do acessório rotativo que, por sua vez, faz com que a ferramenta eléctrica sem controlo seja forçada na direcção oposta à de rotação do acessório no ponto de contacto.

Por exemplo, se uma roda abrasiva ficar comprimida ou presa na peça de trabalho, a extremidade da roda que encaixa no ponto de compressão pode entrar na superfície do material, fazendo com que a roda desencaixe ou seja projectada. A roda pode saltar no sentido do utilizador ou na direcção contrária, consoante a direcção do movimento da roda no ponto de compressão. As rodas abrasivas podem também quebrar-se nestas condições.

O ricochete resulta de uma utilização inadequada

da ferramenta eléctrica e/ou de procedimentos ou condições de funcionamento incorrectos e pode ser evitado tomando as seguintes precauções:

- a) Segure bem a ferramenta eléctrica e posicione o corpo e o braço para que resistir ao impacte do ricochete. Utilize sempre a pega auxiliar, se fornecida, para obter um controlo máximo do ricochete ou à reacção do binário durante o arranque. O utilizador pode controlar as reacções do binário ou o impacte do ricochete, se tomar as precauções adequadas.
- b) Nunca coloque a mão perto do acessório rotativo. O acessório pode fazer ricochete e tocar na sua mão.
- c) Não posicione o corpo na área de movimento da ferramenta eléctrica em caso de ricochete. O ricochete irá projectar a ferramenta na direcção oposta ao do movimento da roda no ponto de fixação.
- d) Tenha especial cuidado quando trabalhar em cantos, extremidades afiadas, etc. Evite movimentos bruscos com o acessório. Os cantos, extremidades afiadas ou ressaltos têm tendência para prender o acessório rotativo e causar perda de controlo ou ricochete.
- e) Não monte uma serra eléctrica para cortar madeira ou uma lâmina de serrar dentada. Tais lâminas cria um ricochete e perda de controlo frequentes.

### Instruções especiais de segurança

- Verifique se o número máximo de rotações indicado no disco abrasivo corresponde ao número máximo de rotações da máquina. O número de rotações da máquina não pode ser superior ao valor indicado no disco abrasivo.
- Certifique-se de que as dimensões do disco abrasivo correspondem às especificações da máquina.
- Assegure-se de que o disco abrasivo está correctamente montado e fixo. Não utilize anilhas de ajuste ou adaptadores para ajustar o disco abrasivo.
- Utilize e conserve os discos abrasivos de acordo com as instruções do fabricante.
- Não utilize a rebarbadora para cortar peças de trabalho com espessuras superiores à profundidade de corte do disco de corte.
- Não utilize os discos de corte para trabalhos de rebarbar.

- Se utilizar discos abrasivos que sejam fixos na rosca do veio, certifique-se de que a rosca é suficientemente grande. Verifique se o veio está suficientemente protegido e se não entra em contacto com a superfície a afiar.
- Antes de começar a utilizar o aparelho, inspecione o disco abrasivo quanto a eventuais danos. Não utilize discos partidos ou que apresentem fissuras ou quaisquer outros danos.
- Antes de utilizar a máquina, deixe-a funcionar em vazio durante 30 segundos. Desligue a máquina imediatamente se começar a vibrar muito ou se apresentar qualquer outra deficiência. Verifique a rebarbadora e o disco abrasivo cuidadosamente antes de voltar a ligar a máquina.
- Assegure-se de que as faíscas que sejam eventualmente libertadas não possam constituir perigo para as pessoas e que não possam entrar em contacto com substâncias facilmente inflamáveis.
- Faça com que a superfície de trabalho esteja suficientemente segura ou apertada. Mantenha as mãos afastadas de superfícies de trabalho muito quentes.
- Use sempre óculos de protecção e protectores auriculares. Caso seja necessário, use também outro tipo de equipamento de protecção como, por exemplo, um avental ou um capacete.
- Certifique-se de que os discos e as pontas são montados de acordo com as instruções do fabricante.
- Certifique-se de que os mata-borrões são utilizados, quando fornecidos, com o produto abrasivo aderente.
- Se for fornecida uma protecção com a ferramenta nunca utilize a ferramenta sem essa protecção.
- Em ferramentas em que é preciso instalar um disco com um orifício roscado, certifique-se de que o disco é suficientemente longo para aceitar o comprimento do veio.
- Certifique-se de que as aberturas de ventilação são mantidas desimpedidas quando estiver a trabalhar em condições de muito pó. Se for necessário limpar o pó, primeiro desligue a ferramenta da alimentação eléctrica (utilize objectos não metálicos) e evite danificar as peças internas.
- Devido às más condições da alimentação eléctrica, podem ocorrer quedas de tensão momentâneas quando ligar o equipamento. Isto pode influenciar outros equipamentos (por exemplo, uma lâmpada a piscar). Se a impedância da alimentação eléctrica  $Z_{m\acute{a}x} < 0.348 \text{ Ohm}$ , essas perturbações não deverão ocorrer. (Se necessário, pode contactar o seu representante local para mais informações).

Desligue imediatamente a máquina se:

- Saírem faúlhas excessivas das escovas e verticilose no colector.
- Existir uma interrupção de corrente, falha do cabo de alimentação eléctrica ou danos no cabo.
- Verificar um interruptor defeituoso
- Verificar fumo ou cheiro do isolamento queimado.

### Segurança eléctrica

Quando utilizar máquinas eléctricas, cumpra sempre as instruções de segurança locais em vigor no que respeita ao risco de incêndio, choques eléctricos e lesões corporais. Para além das instruções indicadas abaixo, leia também as instruções de segurança incluídas.



*Verifique sempre se a fonte de alimentação corresponde à tensão indicada na placa sinalética.*



*A máquina dispõe de um isolamento duplo; não é necessária ligação à terra.*

### Sustituição cabos ou fichas

Deite de fora de imediato cabos ou fichas usadas quando as substituir por novas. É perigo colocar a ficha de um cabo solto numa tomada de parede.

### Utilizar extensões

Utilize apenas uma extensão aprovada que seja adequada à potência de entrada da máquina. O tamanho mínimo do condutor é de  $1,5 \text{ mm}^2$ . Se utilizar um carroto de cabos, solte sempre a bobina por completo.

### 3. MONTAGEM



*Antes de montar um acessório, desligue sempre a ferramenta.*

#### Montar a pega

##### Fig. 2

A pega é adequada tanto a mão esquerda como para a direita.

- Coloque a pega de modo a que os orifícios correspondam às aberturas na máquina.
- Aperte a pega com os parafusos e a chave hexagonal.

#### Acessórios de montagem

##### Fig. 3

- Prima o bloqueio do fuso
- Aparafuse e aperte o suporte do bloco no fuso
- Liberte o bloqueio do fuso
- Monte o bloco de polimento (4) no suporte do bloco (5)

#### Acessórios

##### Fig. 3

#### Bloco de polimento (3)

É utilizado para polimento e enceramento de elevado lustro.

#### Bloco para polimento de lã (4)

É utilizado para um acabamento de elevado brilho.

### 4. UTILIZAÇÃO



*Siga sempre as instruções de segurança e cumpra as regulações aplicáveis.*

- Mantenha a máquina afastada da peça quando a ligar ou desligar.
- Desligue sempre a máquina depois de a utilizar e antes de remover a ficha da tomada.

#### Controlo de velocidade

##### Fig. 5

A velocidade do disco pode ser controlada com o botão rotativo na parte superior da pega.

Quanto maior a posição, mais elevada é a velocidade. Quando aplicar a cera e fizer o polimento, não inicie a uma velocidade elevada.

#### Ligar e desligar

##### Fig. 6

- Esta máquina encontra-se equipada com um interruptor de segurança.
- A máquina poderá ser ligada pressionando o botão de “bloqueio” (para desactivar o interruptor) e ligando o interruptor de ligação.

#### Desligar interruptor

Liberte o interruptor.



*O polidor continua a funcionar depois de ser desligado.*

Só deve colocar a máquina no chão quando o motor parar de funcionar por completo. Não coloque a máquina numa superfície com pó. Podem entrar partículas de pó dentro da máquina.



*Nunca utilize a chave do fuso para parar o motor.*

### 5. ASSISTÊNCIA E MANUTENÇÃO



*Certifique-se de que a máquina não está ligada à corrente quando executar trabalho de manutenção no motor.*

Esta máquina foi concebida para funcionar durante um longo período de tempo com um mínimo de manutenção. A operação satisfatória contínua depende de cuidados adequados da máquina e de uma limpeza regular.



*As reparações e a assistência devem ser executadas apenas por um técnico qualificado ou por uma empresa de assistência.*

#### Limpeza

Mantenha as aberturas de ventilação da máquina limpas para evitar sobreaquecimento do motor.

Limpe o pó e a sujidade acumulados nas aberturas de ventilação. Se a sujidade não sair, utilize um pano macio humedecido com água com sabão. Nunca use solventes como gasolina, álcool, água amoniacal, etc. Estes solventes podem danificar as peças de plástico.

## Falhas

Se ocorrer uma falha, por exemplo, após o desgaste de uma peça, contacte a morada de assistência indicada no cartão da garantia. Na parte de trás deste manual encontra-se uma vista ampliada que mostra as peças que podem ser encomendadas.

## AMBIENTE

Para evitar danos durante o transporte, o aparelho é fornecido numa embalagem robusta composta essencialmente por material reutilizável.



*Os aparelhos electrónicos ou eléctricos defeituosos e/ou eliminados têm de ser recolhidos nos locais de reciclagem adequados.*

### Apenas para os países da CE

Não coloque as ferramentas eléctricas no lixo doméstico. Em conformidade com a directriz europeia 2012/19/EU relativa a resíduos de equipamentos eléctricos e electrónicos e respectiva implementação na legislação nacional, as ferramentas eléctricas não utilizáveis devem ser recolhidas separadamente e eliminadas de um modo ecologicamente seguro.

## GARANTIA

As condições de garantia encontram-se no certificado de garantia fornecido em separado.

## LUCIDATORE ANGOLARE 1400W - 180MM

### Grazie per aver acquistato questo prodotto Ferm.

Con il suo acquisto è entrato in possesso di un prodotto eccellente, offerto da uno dei distributori leader in Europa. Tutti i prodotti di Ferm sono fabbricati seguendo i più elevati standard di prestazioni e sicurezza e, nell'ambito della nostra filosofia, forniamo un eccellente servizio di assistenza alla clientela accompagnato da una Garanzia completa. Ci auguriamo che troverà di suo gradimento l'utilizzo di questo prodotto per molti anni a venire.

### La numerazione indicata nel seguente testo rimanda alle immagini della pagina 2-3.



*Leggere attentamente le presenti istruzioni per l'uso prima di mettere in funzione l'apparecchio. Provare personalmente il funzionamento e l'impiego del trapano avvitatore. Per un funzionamento sempre perfetto, manutentionare l'apparecchio come indicato nelle istruzioni. Conservare le istruzioni per l'uso e la relativa documentazione vicino all'apparecchio.*

### Indice

1. Dati della macchina
2. Istruzioni di sicurezza
3. Montaggio
4. Uso
5. Assistenza & manutenzione

### Introduzione

Qualsiasi altro uso diverso dal lucidare o levigare leggermente è severamente vietato.

## 1. DATI DELLA MACCHINA

### Specifiche tecniche

Voltaggio	230-240 V~
Frequenza	50 Hz
Potenza d'ingresso	1400 W
Velocità in assenza di carico	1000-3300/min
Diametro del disco	180 mm
Dimensione vite filettata	M 14
Peso	3.3 kg
Lpa (pressione sonora)	86+3 dB(A)



Lwa (potenza sonora)	97+3 dB (A)
Valore di vibrazione	3.51+1.5 m/s <sup>2</sup>

### Livello delle vibrazioni

Il livello di emissione delle vibrazioni indicato sul retro di questo manuale di istruzioni è stato misurato in conformità a un test standardizzato stabilito dalla norma EN 60745; questo valore può essere utilizzato per mettere a confronto un l'utensile con un altro o come valutazione preliminare di esposizione alla vibrazione quando si impiega l'utensile per le applicazioni menzionate

- se si utilizza l'utensile per applicazioni diverse, oppure con accessori differenti o in scarse condizioni, il livello di esposizione potrebbe aumentare notevolmente
- i momenti in cui l'utensile è spento oppure è in funzione ma non viene effettivamente utilizzato per il lavoro, possono contribuire a ridurre il livello di esposizione

Proteggersi dagli effetti della vibrazione effettuando la manutenzione dell'utensile e dei relativi accessori, mantenendo le mani calde e organizzando i metodi di lavoro

### Caratteristiche

#### Fig.1

1. Interruttore On/off (acceso/spento)
2. Regolatore di velocità
3. Impugnatura a U
4. Portacuscinetto
5. Blocco mandrino
6. Blocco interruttore

## 2. ISTRUZIONI DI SICUREZZA

### Legenda dei simboli



Indica il rischio di lesioni fisiche, il rischio di vita o la possibilità di danneggiamenti alla macchina qualora non fossero rispettate le istruzioni di questo manuale.



Indica la presenza di tensioni elettriche.



Usare il dispositivo di blocco del mandrino solo in modalità di arresto.



Indica il pericolo d'incendi.



Tenere gli spettatori a distanza.



Indossare protezioni per occhi e orecchie.



Indossare guanti protettivi.



Controllo della velocità variabile

### Avvertenza di sicurezza comuni per lavorazioni di sabbatura, spazzolatura o lucidatura:

- a) Questo apparato è stato progettato per essere utilizzato come sabbatrice, spazzola o lucidatrice. Leggere attentamente tutte le avvertenze, istruzioni, illustrazioni e specifiche fornite con l'apparato. La mancata osservanza delle istruzioni seguenti può dar luogo a scossa elettrica, incendio e/o lesioni gravi.
- b) Con questo apparato non è consigliabile eseguire lavorazioni di smerigliatura o taglio. L'esecuzione di lavorazioni per le quali l'apparato non è stato progettato comporta dei rischi e può causare lesioni personali.
- c) Non usate accessori che non sono specificatamente progettati e consigliati dal produttore. Il fatto che l'accessorio possa essere fissato al vostro utensile elettrico, non ne garantisce un funzionamento sicuro.
- d) La velocità nominale dell'accessorio deve essere almeno uguale alla velocità massima contrassegnata sull'utensile elettrico. Gli accessori fatti funzionare a una velocità superiore alla loro velocità nominale possono rompersi e saltare via.
- e) Il diametro esterno e lo spessore del vostro accessorio devono essere entro i valori della capacità del vostro utensile elettrico. Gli accessori dalle dimensioni errate non possono essere adeguatamente protetti o controllati.
- f) Le dimensioni del mandrino delle mole, flange, cuscinetti di supporto o qualsiasi altro accessorio devono corrispondere correttamente all'asse

dell'utensile elettrico. Gli accessori con fori del mandrino che non corrispondono all'hardware di montaggio dell'utensile elettrico perderanno l'equilibrio, vibreranno eccessivamente e potrebbero causare la perdita del controllo.

- g) Non usate un accessorio danneggiato. Prima di ciascun uso esaminate l'accessorio, per esempio le mole abrasive per la presenza di trucioli e crepe, il cuscinetto di supporto per la presenza di crepe, strappi o usure eccessive, la spazzola metallica per la presenza di fili allentati o rotti. Se l'utensile elettrico o l'accessorio viene fatto cadere, esaminate i danni o installate un accessorio non danneggiato. Dopo aver esaminato e installato un accessorio, posizionate voi stessi e i passanti lontano dal piano dell'accessorio rotante e fate funzionare l'utensile elettrico alla massima velocità a vuoto per un minuto. Gli accessori danneggiati normalmente si romperanno durante questo periodo di prova.
- h) Indossate apparecchiature personali protettive. A seconda dell'applicazione, utilizzate uno schermo per viso, occhiali protettivi o occhiali di sicurezza. In base alle necessità, indossate una maschera per la polvere, protezioni dell'udito, guanti e grembiule in grado di fermare piccoli frammenti abrasivi o frammenti del pezzo da lavorare. La protezione oculare deve essere in grado di fermare i detriti volanti generati dalle varie operazioni. La maschera per la polvere o respiratore deve essere in grado di filtrare le particelle generate dall'operazione. L'esposizione prolungata ai rumori di alta intensità può causare la perdita dell'udito.
- i) Tenete i passanti a una distanza sicura dalla zona di lavoro. Chiunque entri nella zona di lavoro deve indossare apparecchiature di protezione personale. I frammenti del pezzo da lavorare o di un accessorio rotto potrebbero volare via e causare lesioni oltre l'immediata zona di impiego.
- j) Tenete l'utensile elettrico solamente per le superfici di presa isolate quando eseguite un'operazione dove l'accessorio di taglio potrebbe venire a contatto con i fili nascosti o con il suo stesso cavo. Un accessorio di taglio che viene a contatto con un filo "in tensione" potrebbe rendere le parti metalliche esposte "in tensione" e causare una scossa elettrica all'operatore.
- k) Posizionate il cavo in modo che non intralci l'accessorio rotante. Se perdetevi il controllo, il cavo potrebbe tagliarsi o rimanere impigliato e la

vostra mano o il vostro braccio potrebbero venire trascinati nell'accessorio rotante.

- l) Non posate mai l'utensile elettrico finché l'accessorio non si sia fermato completamente. L'accessorio rotante potrebbe afferrare la superficie e trascinare l'utensile fuori dal vostro controllo.
- m) Non fate funzionare l'utensile elettrico mentre lo trasportate al vostro fianco. Il contatto accidentale con l'accessorio rotante potrebbe impigliare i vostri indumenti, trascinando l'accessorio verso il vostro corpo.
- n) Pulite regolarmente le ventole dell'aria del vostro utensile elettrico. La ventola del motore attirerà la polvere all'interno dell'alloggiamento e un accumulo eccessivo di metallo polverizzato potrebbe provocare pericoli elettrici.
- o) Non utilizzate l'utensile elettrico vicino a materiali infiammabili. Le scintille potrebbero accendere questi materiali.
- p) Non utilizzate accessori che richiedono refrigeranti liquidi. L'uso di acqua o altri refrigeranti liquidi potrebbe provocare elettrocuzione o scosse elettriche.

### Rinculo e Avvertimenti correlati

Il rinculo è una reazione improvvisa a una mola rotante, cuscinetto di supporto, spazzola o qualsiasi altro accessorio impigliato o incastrato. L'impigliamento o incastro causa il rapido arresto dell'accessorio rotante che a sua volta costringe l'utensile elettrico senza controllo a muoversi in direzione opposta alla rotazione dell'accessorio al punto di inceppamento.

Per esempio, se una mola abrasiva viene incastrata o impigliata dal pezzo da lavorare, l'estremità della mola che entra nel punto di grippaggio può scavare la superficie del materiale costringendo la mola al rinculo. La mola potrebbe saltare verso o lontano dall'operatore, a seconda della direzione del movimento della mola al punto di grippaggio. Le mole abrasive potrebbero anche rompersi in queste condizioni.

Il rinculo è il risultato di un utilizzo erraneo dell'utensile elettrico e/o di procedure o condizioni di utilizzo non corrette e può essere evitato prendendo le adeguate precauzioni come di seguito.

- a) Mantenete una presa ferma sull'utensile elettrico e posizionate il vostro corpo e braccio per consentirvi di resistere alle forze del rinculo.

Utilizzate sempre la maniglia ausiliaria, se in dotazione, per il massimo controllo sul rinculo o reazione di trazione durante l'avvio. L'operatore è in grado di controllare le reazioni di trazione e forze di rinculo, se vengono prese le adeguate precauzioni.

- b) Non posizionate mai la mano vicino all'accessorio rotante. L'accessorio potrebbe subire il rinculo e ferirvi la mano.
- c) Non posizionate il corpo in una zona dove l'utensile elettrico si sposterà se si verifica il rinculo. Il rinculo scaglierà l'utensile in direzione opposta al movimento della mola al punto di grippaggio.
- d) Fate particolare attenzione quando lavorate sugli angoli, estremità appuntite, ecc. Evitate di far saltare e impigliare l'accessorio. Gli angoli, le estremità appuntite o i salti hanno la tendenza di incastrare l'accessorio rotante e causare la perdita del controllo o il rinculo.
- e) Non fissate una lama di sega per il taglio del legno o lama di sega dentata. Tali lame creano rinculo e perdita del controllo frequenti.

### Speciali misure di sicurezza

- Controllare che il numero massimo di giri menzionato sul disco abrasivo corrisponda a quello massimo della macchina. Il numero di giri della macchina non pu superare il valore menzionato sul disco abrasivo.
- Controllare che le dimensioni del disco abrasivo corrispondano alle caratteristiche della macchina.
- Controllare che il disco abrasivo sia montato in modo corretto e che sia fissato a sufficienza. Non utilizzare anelli di adattamento o altri dispositivi di adattamento per correggere le dimensioni del disco abrasivo.
- Trattare e conservare i dischi abrasivi secondo le istruzioni del fornitore.
- Non utilizzare la macchina per tagliare pezzi con uno spessore maggiore della massima profondità di molatura del disco abrasivo.
- Non utilizzare dischi abrasivi destinati a troncare per operazioni di rifilatura.
- Quando si utilizzano dischi abrasivi che vanno fissati sulla filettatura del mandrino, occorre controllare che la filettatura di tale mandrino sia sufficientemente lunga. Inoltre il mandrino deve essere protetto in modo adeguato e non deve essere a contatto con la superficie di molatura.
- Verificare che il disco abrasivo non sia danneggiato prima di utilizzarlo. Non utilizzare mai dischi che presentino crepe, fessure o qualsiasi altro tipo di danno.
- Prima di utilizzare la macchina bisogna farla girare a vuoto per 30 secondi. Spegnerla immediatamente in caso cominciasse a vibrare notevolmente o in caso presentasse dei difetti. Controllare accuratamente la macchina e il disco abrasivo prima di accenderla di nuovo.
- Un'eventuale pioggia di scintille non deve mettere in pericolo le persone circostanti o non deve progredire nella direzione di fonti infiammabili.
- Il pezzo di lavoro deve essere fissato o bloccato adeguatamente. Non mettere le mani nelle vicinanze della superficie da molare.
- Portare sempre degli occhiali di sicurezza e cuffie di protezione.
- Assicurarsi che le ruote montate e le punte siano correttamente alloggiati nelle loro sedi secondo le istruzioni del fabbricante.
- Assicurarsi che vengano utilizzati i fogli catramati con il prodotto abrasivo incollato, quando necessario.
- Se insieme allo strumento viene fornita una protezione di sicurezza, non utilizzare mai lo strumento senza la protezione.
- Per gli strumenti progettati per l'alloggiamento di ruote con fori filettati, assicurarsi che il filo della ruota sia abbastanza lungo da ospitare la lunghezza del mandrino.
- Assicurarsi che le aperture per la ventilazione siano libere quando si lavora in condizioni molto polverose. Se fosse necessario togliere la polvere, fare attenzione a scollegare lo strumento dalla rete di alimentazione (senza utilizzare oggetti metallici) ed evitare di danneggiare le parti interne.
- Quando si avvia il dispositivo si potrebbero verificare delle cadute di tensione, a causa delle cattive condizioni dell'alimentazione di rete. Ciò potrebbe influenzare altri dispositivi (ad esempio, l'emissione di luce intermittente di una lampadina). Se l'impedenza di rete è  $Z_{max} < 0.348 \text{ Ohm}$ , tali disturbi non dovrebbero verificarsi. In caso di necessità, contattare l'ente erogatore locale per ulteriori informazioni.

Arresto immediato del `apparecchio in caso di:

- Scintillare smisurato delle spazzole a fuoco anulare nel collettore.
- Corto circuito della presa o del filo di alimentazione o danneggiamento del filo di alimentazione.
- Interruttore difettoso.
- Fumo ed odore di isolante bruciato.

### Sicurezza elettrica

Durante l'uso di macchine elettriche osservare sempre le norme di sicurezza del Vostro paese per ridurre il rischio di incendio, folgorazione, e lesioni personali. Leggere le seguenti istruzioni di sicurezza e anche quelle allegate.



*Controllate sempre che il voltaggio della rete elettrica corrisponda a quello indicato sulla targhetta dati dell'apparecchio.*



*La vostra macchina ha un doppio isolamento; quindi non è necessaria la messa a terra.*

### Sostituzione di cavi o prese

Eliminare vecchi cavi o prese che sono stati sostituiti da nuovi. E' pericoloso inserire in una presa di corrente la spina di un cavo scoperto.

### Uso di prolunghe

Usate solo prolunghe approvate adatte alla potenza d'ingresso della macchina. La dimensione minima del conduttore è 1,5 mm<sup>2</sup>. Quando si usa una prolunga su un avvolgicavo, srotolarla completamente.

## 3. MONTAGGIO



*Prima di montare un accessorio scollegare sempre l'utensile dalla rete elettrica.*

### Montaggio dell'impugnatura

#### Fig. 2

L'impugnatura può essere utilizzata dai mancini e dai destrimani.

- Installate l'impugnatura in modo che i fori corrispondano ai fori per le viti sulla macchina.
- Stringete l'impugnatura con i bulloni e la chiave esagonale.

### Montaggio degli accessori

#### Fig. 3

- Premere il blocco della vite filettata
- Avvitare e stringere il portacuscinetto sulla vite filettata
- Abbassare il blocco della vite filettata
- Montare il cuscinetto lucidatore (4) sul portacuscinetto (5).

### Accessori

#### Fig. 4

#### Cuscinetto lucidante (3)

Si usa per la lucidatura e per incerare.

#### Cuscinetto lucidante in lana (4)

Da usare per la finitura a specchio.

## 4. USO



*Seguite sempre le istruzioni di sicurezza ed attenetevi alle norme applicabili.*

- Tenere la macchina lontano dal pezzo da lavorare quando la accendete o la spegnete.
- Spegnete sempre la macchina dopo l'uso prima di scollegarla dalla presa di corrente.

### Regolatore di velocità

#### Fig. 5

La velocità del disco può essere regolata tramite la manopola posta in alto sull'impugnatura. Più alta sarà l'impostazione, maggiore sarà la velocità. Quando si applica la cera e si lucida non iniziare ad una velocità alta.

### Accendere/spegnere

#### Fig. 6

- Per azionare l'interruttore di sicurezza, è sufficiente spingere il pulsante in avanti (per disimpegnarlo) e premerlo.
- Controllate bene che la smerigliatrice angolare sia sempre al minimo (senza carica) se l'attivate o la disattivate.

### Spegnimento

Rilasciare l'interruttore.



*Il lucidatore continuerà a girare per alcuni istanti dopo lo spegnimento.*

Riporre la macchina soltanto dopo che il motore si sarà fermato completamente. Non mettere la macchina su superficie polverose. Particelle di polvere possono penetrare al suo interno.



*Non usate mai la chiave della vite filettata per arrestare il motore.*

## 5. ASSISTENZA & MANUTENZIONE



*Assicuratevi che la macchina non sia sotto tensione quando eseguite lavori di manutenzione del motore.*

Questa macchina è stata progettata per funzionare per un lungo periodo di tempo con un minimo di manutenzione. Un funzionamento continuo e soddisfacente dipende dalla cura appropriata della macchina e da una regolare pulizia.



*Le riparazioni e l'assistenza devono essere eseguite solo da un tecnico o da un centro assistenza qualificati.*

### Pulizia

Pulite regolarmente la carcassa della macchina con un panno morbido, preferibilmente dopo ogni uso. Mantenete le prese d'aria libere da polvere e sporco. Se lo sporco non si stacca usate un panno morbido inumidito di acqua saponata. Non usate mai solventi come benzina, alcol, ammoniac, ecc. Questi solventi possono danneggiare le parti in plastica.

### Guasti

In caso di guasto, per esempio a causa dell'usura di un pezzo, si prega di contattare il servizio di assistenza indicato sulla scheda di garanzia. Sul retro di questo manuale si trova una vista esplosa delle parti che possono essere ordinate.

## L'AMBIENTE

Per prevenire danni durante il trasporto la macchina viene consegnata con un resistente imballaggio con materiale prevalentemente

riciclabile. Fare quindi uso delle opzioni di riciclaggio dell'imballaggio.



*Gli apparecchi elettrici difettosi e/o eliminati devono essere raccolti presso le appropriate unità di riciclaggio.*

### Soltanto per paesi CE.

Non smaltire gli elettrodomestici nei contenitori per rifiuti domestici. Ai sensi della Direttiva 2012/19/ EU del Parlamento europeo in materia di Rifiuti da apparecchiature elettriche ed elettroniche e della relativa attuazione nell'ambito della legislazione nazionale, gli elettrodomestici inutilizzabili devono essere raccolti separatamente e smaltiti in modo ecocompatibile.

## GARANZIA

Le condizioni di garanzia sono riportate nella scheda di garanzia allegata separatamente.

**Questo prodotto ed il presente manuale utente sono soggetti a modifiche. Le specifiche possono essere modificate senza preavviso.**

## Vinkelpolermaskin 1400W - 180mm

### Tack för att du har valt att köpa denna Ferm-produkt.

Du har nu en enastående produkt som har levererats av en av Europas ledande distributörer. Alla produkter som Ferm levererar till dig är tillverkade enligt högsta standarder för prestanda och säkerhet. Dessutom ingår det i vår filosofi att erbjuda en högklassig kundservice som backas upp av vår omfattande garanti. Vi hoppas att du får många års glädje av din nya produkt.

### Siffrorna i texten nedan hänvisar till bilderna på sidorna 2-3.



Läs noga igenom denna bruksanvisning innan du börjar använda maskinen. Gör dig bekant hur den fungerar och sköts. Underhåll maskinen enligt anvisningarna så att den alltid fungerar felfritt. Bruksanvisning och tillhörande dokumentation ska förvaras i närheten av maskinen.

### Innehåll

1. Maskindata
2. Säkerhetsanvisningar
3. Montering
4. Användning
5. Service & underhåll

### Inledning

Varje annan användning annan än polering och lätt avslipning är strängeligen förbjuden.

## 1. MASKINDATA

### Teknisk specifikation

Spänning	230-240 V~
Frekvens	50 Hz
Ineffekt	1400 W
Tomgångshastighet	1000-3300/min
Skivdiameter	180 mm
Spindelmått	M 14
Vikt	3.3 kg
Lpa (ljudtryck)	86+3 dB(A)
Lwa (ljudtrycknivå)	97+3 dB(A)
Vibrationsvärde	3.51+1.5 m/s <sup>2</sup>

### Vibrationsnivå

Vibrationsemissionsvärdet som står på baksidan av den här instruktionsboken har uppmätts enligt ett standardiserat test i enlighet med EN 60745; detta värde kan användas för att jämföra vibrationen hos olika verktyg och som en ungefärlig uppskattning av hur stor vibration användaren utsätts för när verktyget används enligt det avsedda syftet

- om verktyget används på ett annat än det avsedda syftet eller med fel eller dåligt underhållna tillbehör kan detta drastiskt öka vibrationsnivån
- när verktyget stängs av eller är på men inte används, kan detta avsevärt minska vibrationsnivån

Skydda dig mot vibration genom att underhålla verktyget och dess tillbehör, hålla händerna varma och styra upp ditt arbetssätt

### Egenskaper

#### Fig. 1

1. På/av brytare
2. Hastighetskontroll
3. U-format handtag
4. Padhållare
5. Spindellåsning
6. Brytarlås

## 2. SÄKERHETSANVISNINGAR

### Symbolernas betydelse



Anger att det föreligger risk för personskador, livsfara eller risk för skador på maskinen om instruktionerna i denna bruksanvisning inte efterlevs.



Anger risk för elektrisk stöt.



Använd endast spindellåset i stillastående läge.



Brandfara.



*Förbipasserande får inte komma för nära.*



*Bär skyddsglasögon och hörselskydd.*



*Använd skyddshandskar.*



*Steglös varvtalsreglering*

### **Säkerhetsvarningar gemensamt för slipning, stålborstning eller polering:**

- Detta verktyg är avsett att fungera som en slipmaskin, stålborste, polermaskin. Läs alla säkerhetsvarningar, instruktioner, illustrationer och specifikationer som följer med elverktyget. Underlåtenhet att följa samtliga instruktioner som räknas upp nedan kan resultera i elstötar, brand och / eller allvarliga skador.
  - Arbeten som t ex slipning eller kapning rekommenderas inte med detta elverktyg. Verksamhet för vilken elverktyget inte är avsett för, kan medföra fara och orsaka personskador.
  - Använd inte tillbehör som inte är speciellt avsedda och rekommenderade av verktygstillverkaren. Bara för att tillbehöret kan anslutas till ditt elverktyg, garanterar det inte en säker användning.
  - Tillbehörets märkvarvtal måste minst vara lika med den högsta hastigheten märkt på elverktyget. Tillbehör som går fortare än deras märkvarvtal kan gå sönder och flyga åt sidan.
  - Ytterdiametern och tjockleken av ditt tillbehör måste befinna sig inom ditt elverktygs märkkapacitet. Felaktigt dimensionerade tillbehör kan inte vara tillräckligt skyddade eller styrda.
  - Slipskivsspindel, flänsar, sliprondeller eller andra tillbehör måste passa ordentligt i elverktygets spindel. Tillbehör med ett axelhål som inte matchar elverktygets hårdvara kommer att gå ur balans och vibrera överdrivet och kan orsaka förlust av kontroll.
  - Använd inte ett skadat tillbehör. Före varje användning kontrollera tillbehöret såsom slipskivor för flis eller sprickor, sliprondell för sprickor, överdrivet slitage, stålborste för lösa eller spruckna ledningar. Om elverktyget eller tillbehöret tappas, kontrollera skadan eller installera ett oskadat tillbehör. Efter att ha kontrollerat och installerat ett tillbehör, ställ dig själv och åskådare bortom tillbehörets rotationsplan och kör elverktyget på den högsta tomgångshastigheten i en minut. Skadade tillbehör bryts normalt sönder under denna testtid.
- Bär personlig skyddsutrustning. Beroende på användningen, använd ansiktsvisir, skyddsglasögon. Bär passande, dammskyddsmask, hörskydd, handskar och skyddsförkläde som kan stoppa små fragment från slipning eller arbetsstycken. Ögonskyddet måste vara i stånd att stoppa flygande skräp genererat av olika användningar. Dammskyddsmasken eller andningsmasken måste vara i stånd att filtrera partiklar genererade av din användning. Förlängd exponering mot för högt buller kan orsaka hörselörlust.
  - Håll åskådare på ett säkert avstånd från arbetsområdet. Var och en som går in i arbetsområdet ska bära personlig skyddsutrustning. Fragment av arbetsstycken eller av trasiga tillbehör kan flyga iväg och orsaka skador utöver användningsområdet.
  - Håll elverktyget enbart i de isolerade greppytorna, när du utför ett moment där det skärande tillbehöret kan komma i kontakt med dolda ledningar eller dess egen kabel. Skärmings tillbehör som kommer i kontakt med en strömförande ledning kan göra metalldelar på elverktyget strömförande och ge operatören en elchock.
  - Placera kabeln fri från det roterande tillbehöret. Om du tappar kontrollen, kan kabeln skäras av eller haka upp sig och dra in din hand eller arm i det roterande tillbehöret.
  - Lägg aldrig ner elverktyget förrän det har helt stannat. Det roterande tillbehöret kan ta tag i ytan så att du inte kan kontrollera det.
  - Ha inte elverktyget påslaget när du bär det vid din sida. Oavsiktlig kontakt med det roterande tillbehöret kan ta tag i din klädsel, och dra in tillbehöret i din kropp.
  - Rengör regelbundet elverktygets luftintag. Motorfläkten drar till sig dammet i huset och överflödigt ackumulering av metalldamn kan orsaka elektriska faror.



- o) Använd inte elverktyget i närheten av antändbara material. Gnistor kan antända dessa material.
- p) Använd inte tillbehör som kräver flytande kylmedia. Användning av vatten eller andra kylvätskor kan ge upphov till dödande elchock eller chock.

### Bakslag och relaterade varningar

Bakslag är en snabb reaktion på en klämd eller upphakad slipskiva, sliprondell, borste eller något annat tillbehör. Klämning eller upphakning orsakar snabbt stopp på det roterande tillbehöret som i sin tur orsakar det okontrollerade elverktyget att forceras i motsatt riktning av tillbehörets rotation vid punkten av kärvingen.

Till exempel, om en slipskiva hakas upp eller kläms av arbetsstycket, kan slipkanten som går in i klämpunkten gräva i materialytan och orsaka att skivan klättrar eller sparkas ut. Skivan kan antingen hoppa mot eller från operatören, beroende på skivans rörelseriktning vid klämpunkten. Slipskivor kan också gå sönder under dessa förhållanden. Bakslag är resultatet av elverktygets missbruk och/eller av felaktiga arbetsrutiner eller arbetsförhållanden och kan undvikas genom att vidtaga lämpliga försiktighetsåtgärder som anges nedan.

- a) Behåll ett fast grepp på elverktyget och placera armen så att du kan motstå bakslagskrafter. Använd alltid extra handtaget, om medlevererat, för maximal kontroll över bakslag eller vridmomentsreaktion under start. Operatören kan kontrollera vridmomentsreaktioner eller bakslagskrafter, om lämpliga försiktighetsåtgärder vidtas.
- b) Placera aldrig handen i närheten av det roterande tillbehöret. Tillbehöret kan slå tillbaka över handen.
- c) Placera inte din kropp i området där elverktyget kommer att röra sig om bakslag inträffar. Bakslaget kommer att driva verktyget i motsatt riktning till skivans rörelse vid upphakningspunkten.
- d) Var speciellt försiktig när du arbetar hörn, skarpa kanter etc. Undvik vertikal vibrering och upphakning av tillbehöret. Hörn, skarpa kanter eller vertikal vibrering har tendens att haka upp det roterande tillbehöret och orsaka förlust av kontroll eller bakslag.
- e) Anslut inte en sågkedja blad för träsnideri eller tandat blad. Sådana blad skapar ofta bakslag och förlust av kontroll.

### Förvara instruktionerna omsorgsfullt!

- Kontrollera att det maximala varvtalet som anges på slipskivan överenskommer med maskinens maximala varvtal. Maskinens varvtal får ej överskrida värdet på slipskivan.
- Se till att slipskivans dimensioner överenskommer med maskinens specifikationer.
- Se till att slipskivan är rätt monterad och ordentligt fastsatt. Använd inga passringar eller adaptor för att få en slipskiva att passa.
- Behandla och förvara slipskivor enligt leverantörens anvisningar.
- Använd aldrig maskinen för genomslipning av arbetsstycken vars tjocklek överskrider slipskivans maximala slipdjup.
- Använd aldrig genomslipningsskivor för avgradning.
- Se vid bruk av slipskivor som monteras på spindelns gänga till att spindelns gänga är tillräckligt djup. Se till att spindeln är ordentligt skyddad och inte vidrör sliptytan.
- Syna slipskivan före bruk på eventuella skador. Använd inga slipskivor som är spruckna, brustna eller skadade på annat sätt.
- Låt maskinen före bruk löpa obelastad under 30 sekunder. Stäng genast av maskinen om den börjar skaka kraftigt eller om andra störningar uppträder. Kontrollera maskinen och slipskivan grundligt innan du startar maskinen på nytt.
- Se till att eventuella gnistor inte orsakar fara för personer eller stänker i riktning av lättantändliga ämnen.
- Se till att arbetsstycket stöds eller späns fast ordentligt. Håll händerna undan från ytan som ska slipas.
- Bär alltid skyddsglasögon och hörselskydd. Bär vid behov vidare personligt skydd, t.ex. hjälm eller förkläde.
- Se till att monterade skivor och stycken har fästs ordentligt enligt tillverkarens instruktioner.
- Se till att mellanlägg används när det medföljer gjutna slipprodukter och när det behövs.
- Om ett skydd medföljer verktyget, använd aldrig verktyget utan skyddet.
- När det gäller verktyg som använder skivor med gängande hål, se till att skivans gängor är tillräckligt långa för att hålla axellängden.

- Se till att ventilationsöppningar hålls öppna när du arbetar under dammiga förhållanden. Om du behöver avlägsna damm, koppla först ur verktyget från eluttaget (använd icke-metalliska föremål) och var försiktig så att du inte skadar några inre delar.
- P.g.a. bristande förhållande i elnätet, kan korta spänningsfall uppstå när man startar utrustningen. Detta kan påverka annan utrustning (t.ex. en lampa kan börja blinka). Om nätimpedans  $Z_{max} < 0.348 \text{ Ohm}$ , är det inte troligt att sådana störningar uppstår. (Vid behov kan du kontakta din lokala elleverantör för mer information).

Stann na omedelbart maskinen när:

- Kollektorns borstar och kransar uppvisar onormal gnistbildning.
- Elkabel eller kontakter uppvisar någon som helst defekt, t ex skadad isolering.
- Strömbrytaren inte fungerar som den ska.
- Rökig eller dålig lukt indikerar bränd isolering.

### Elsäkerhet

När du använder elektriska maskiner beakta alltid de gällande säkerhetsbestämmelserna i ditt land för att reducera elfara, elektriska stötar och personskador. Läs de följande säkerhetsanvisningarna och också de bifogade säkerhetsanvisningarna.



*Kontrollera alltid att energitillförseln motsvarar spänningen på märkplåten.*



*Din maskin är dubbelisolerad; därför krävs ingen jordledare.*

### Byte av kablar och stickproppar

Kasta omgående gamla kablar eller stickkontakter som har ersatts med nya. Det är farligt att sticka in stickkontakten av en lös kabel i vägguttaget.

### Användning av kabelförlängningar

Använd enbart godkända kabelförlängningar passande för maskinens ineffekt. Min. ledaresstorlek är  $1.5 \text{ mm}^2$ . När du använder kabelrulle linda alltid av rullen helt.

## 3. MONTERING



*Skilj alltid verktyget från elnätet före montering av ett tillbehör.*

### Montering av handtaget

#### Fig. 2

Handtaget passar antingen för vänster- eller högerhänt användning.

- Installera handtaget så att hälen matchar skruvhålen på maskinen.
- Dra åt handtaget med skruvar och sexkantnyckel.

### Monteringsstillbehör

#### Fig. 3

- Tryck på spindellåsningen
- Skruva och dra åt dynhållaren på spindeln
- Tryck ner spindellåsningen
- Montera polerdynan (4) på dynhållaren (5).

### Tillbehör

#### Fig. 4

#### Polerpad (3)

Används denna för en hög lysterpolering och vaxning.

#### Lammullspolerhätta (4)

Denna används för en högglansfinish.

## 4. ANVÄNDNING



*Följ alltid säkerhetsanvisningarna och håll dig till de tillämpliga föreskrifterna.*

- Håll maskinen från arbetsstycket vid på och avstängning.
- Stäng alltid först av maskinen innan du drar ut stickproppen ur uttaget.

### Hastighetskontroll

#### Fig. 5

Skivans hastighet kan kontrolleras med den roterande knappen på handtaget. Ju högre läge desto högre hastighet. När du applicerar vax och polish starta inte med hög hastighet.

### Till- och frånkoppling

**Fig. 6**

- Se till att maskinen är obelastad och att skivan går fritt när strömmen slås på eller från.
- Denna maskin är utrustad med en säkerhetsbrytare. Starta maskinen genom att trycka på knappen "lås från" (för att frigöra brytaren) och sätt igång maskinen.

**Avstängning**

Lösgör brytaren.



*Polermaskinen fortsätter att köras efter att den har stängts av.*

Lägg enbart ner maskinen när en gång motorn har helt stannat att rotera. Lägg inte maskinen på en dammig yta. Dammpartiklar kan tränga in i maskinen.



*Använd aldrig spindelnyckeln för att stanna motors rotering.*

## 5. SERVICE & UNDERHÅLL



*Säkerställ att maskinen är skild från nätet när du utför underhållsarbeten på motorn.*

Denna maskin har konstruerats för att fungera över en längre tidsperiod med ett minimum underhåll. Kontinuerlig tillfredsställande funktion beror på korrekt skötsel och regelbunden rengöring.



*Reparationer och service ska enbart utföras av kvalificerad tekniker eller servicefirma.*

**Rengöring**

Håll maskinens ventilationsöppningar rena för att förhindra överhettning av maskinen. Rengör maskinhuset regelbundet med en mjuk och ren trasa, helst efter varje användning. Håll ventilationsöppningarna fria från damm och smuts. Om smutsen inte går bort använd en mjuk trasa fuktad med tvålatten. Använd aldrig lösningsmedel sådana som bensin, alkohol, ammoniakvatten, etc. Dessa lösningsmedel kan skada plastdelarna.

**Fel**

Om ett fel skulle uppstå, t.ex efter att någon del har slitits ut, använd då serviceadressen på garantikortet. På baksidan av denna bruksanvisning finns en sprängskiss över de delar som kan beställas.

## MILJÖ

För att förhindra transportskador, levereras maskinen i solid förpackning som mestadels består av återvinningsbart material. Vi ber dig därför att använda dig av möjligheten att återvinna förpackningen.



*Trasiga och/eller avlagda elektriska eller elektroniska apparater måste lämnas till de speciella återvinningsstationerna.*

**Endast för EU-länder**

Släng inte elverktyg i hushållsavfallet. Enligt det europeiska WEEE-direktivet 2012/19/EU för avfall från elektrisk och elektronisk utrustning och dess tillämpning nationellt ska elverktyg som inte längre kan användas samlas in separat och kasseras på ett miljövänligt sätt.

## GARANTI

Garantivillkoren finns på det bifogade garantikortet.

**Med förbehåll för ändringar i produkten och bruksanvisningen. Specifikationer kan ändras utan förvarning.**

## KULMAKIILLOTUSKONE 1400W - 180MM

### Kiitos, että ostit tämän Ferm-tuotteen.

Niin tekemällä sinulla on nyt oivallinen tuote, jonka on toimittanut eräs Euroopan johtavista toimittajista.

Kaikki tuotteet, jotka Ferm on sinulle toimittanut, on valmistettu korkeimpien suorituskyky- ja turvallisuusnormien mukaan, ja osana filosofiaamme on järjestää oivallista asiakaspalvelua, johon kuuluu täydellinen takuumme.

Toivomme, että nautit tämän tuotteen käyttämisestä monia tulevia vuosia.

### Tekstin numerot viittaavat kaavioihin sivuilla 2-3.



Lue tämä käyttöohje huolellisesti ennen laitteen käyttöönottoa. Tutustu laitteen toimintatapaan ja käyttöön. Huolla laite ohjeiden mukaisesti, jotta se toimii aina moitteettomasti. Käyttöohje ja siihen liittyvät asiakirjat on säilytettävä laitteen läheisyydessä.

### Sisältö

1. Koneen tiedot
2. Turvallisuusohjeet
3. Kokoaminen
4. Käyttö
5. Huolto & ylläpito

### Esittely

Käyttö muuhun kuin kiillottamiseen ja kevyeen hiontaan on ehdottomasti kielletty.

## 1. KONEEN TIEDOT

### Tekniset tiedot

Jännite	230-240 V~
Taajuus	50 Hz
Syöttöteho	1400 W
Kuormittamaton nopeus	1000-3300/min
Laikan halkaisija	180 mm
Karan mitta	M 14
Paino	3.3 kg
Lpa (äänipaine)	86+3 dB(A)
Lwa (ääniteho)	97+3 dB(A)
Tärinäarvo	3.51+1.5 m/s <sup>2</sup>

### Tärinätaso

Tämän ohjekirjan takana mainittu tärinäsaäteilytaso on mitattu standardin EN 60745 mukaisen standarditestin mukaisesti; sitä voidaan käyttää verrattaessa yhtä laitetta toiseen sekä alustavana tärinälle altistumisen arviona käytettäessä laitetta manituissa käyttötarkoituksissa

- laitteen käyttö eri käyttötarkoituksiin tai erilaisten tai huonosti ylläpidettyjen lisälaitteiden kanssa voi lisätä merkittävästi altistumistasoa
- laitteen ollessa sammuksissa tai kun se on käynnissä, mutta sillä ei tehdä työtä, altistumistaso voi olla huomattavasti pienempi

Suojaudu tärinän vaikutuksilta ylläpitämällä laite ja sen lisävarusteet, pitämällä kädet lämpiminä ja järjestämällä työmenetelmät

### Ominaisuudet

#### Kuva 1

1. Virtakytkin
2. Nopeuden säätö
3. U:n muotoinen kahva
4. Laikan kiinnitys
5. Karan lukitus
6. Kytkimen lukitus

## 2. TURVALLISUUSOHJEET

### Symbolien selitys



Osoittaa loukkaantumisvaaran, hengenvaaran tai työkalun vaurioitumisriskin, jos tämän oppaan ohjeita ei noudateta.



Osoittaa sähköiskuvaaran.



Käytä karalukkoa vain seisokkitilassa.



Älä päästä ulkopuolisia lähelle laitetta.



Käytä suojalaseja ja kuulonsuojaimia.



*Käytä suojakäsineitä.*



*Nopeudensäättö.*

### **Hiomiseen, teräsharjaukseen ja kiillotukseen liittyvät turvallisuusohjeet:**

- a) Tämä sähkötyökalu on tarkoitettu käytettäväksi hiomakoneena, teräsharjana tai kiillotuskoneena. Lue kaikki tämän työkalun mukana toimitetut varoitukset, turvallisuusohjeet, kuvat ja tiedot. Mikäli kaikkia alla olevia ohjeita ei lueta, seuraamuksena voi olla sähköisku, tulipalo ja/tai vakava vammautuminen.
- b) Tätä työkalua ei suositella käytettäväksi jauhamiseen tai leikkaukseen. Mikäli työkalua käytetään muihin kuin sen suunniteltuihin käyttötarkoituksiin, vaaratilanteita ja henkilövahinkoja voi sattua.
- c) Älä käytä laitteessa muita lisävarusteita, kuin siihen erityisesti suunniteltuja ja laitteen valmistajan suosittelemia lisävarusteita. Vaikka lisävaruste sopisikin laitteeseen, se ei tarkoita, että sen käyttö olisi turvallista.
- d) Lisävarusteen nimellisnopeuden on oltava vähintään yhtä suuri kuin laitteeseen merkitty maksiminopeus. Nimellisnopeutta nopeammin toimivat lisävarusteet voivat rikkoutua ja irrota.
- e) Lisävarusteen ulkoinen halkaisija ja paksuus on oltava laitteeseen merkittyjen arvojen mukainen. Väärän kokoisten lisävarusteiden käyttö ei takaa turvallisuutta ja se voi johtaa hallinnan menetykseen.
- f) Laikkojen, laippojen varmuuslevyjen tai muiden lisävarusteiden reikien koko on sovittava hyvin laitteen karaan. Lisävarusteet, joiden reikien koko ei vastaa laitteen asennusaukkoja, toimivat epätasapainossa, tärisyvät liikaa ja voivat johtaa hallinnan menetykseen.
- g) Älä käytä vaurioitunutta lisävarustetta. Tarkista aina ennen käyttöä lisävarusteet, kuten hiomalaikat säröjen ja halkeamien varalta; varmuuslevyt halkeamien, repeytymien tai liiallisen kulumisen varalta; teräsharja irronneiden ja halenneiden teräslankojen varalta. Jos laite tai lisävaruste putoaa, tarkista se vaurioiden varalta tai vaihda lisävaruste uuteen. Kun lisävaruste on tarkistettu ja asennettu, varmista, että sinä ja muut paikalla olevat henkilöt ovat kaukana pyörivästä lisävarusteesta ja anna laitteen käydä kuormittamattomalla maksiminopeudella yhden minuutin ajan. Vaurioituneet lisävarusteet yleensä rikkoutuvat kyseisen käyttöjakson aikana.
- h) Käytä henkilökohtaisia suojarusteita. Käyttötarkoituksesta riippuen on laitteen käytön aikana käytettävä kasv suojaa tai suojalaseja. Käytä tarvittaessa hengityssuojaa, kuulosuojaimia, suojakäsineitä ja suojavaatetusta, jotka suojaavat sinut pieniltä hiomaosilta tai työkappaleiden osilta. Suojalasien on pystyttävä suojaamaan silmät toimenpiteistä aiheutuville ilmassa lentäviltä pirstaleilta. Hengityssuojan tai hengityslaitteen on pystyttävä suodattamaan käytöstä aiheutuvat hiukkaset. Pitkäaikainen altistuminen kovalle melulle voi aiheuttaa kuulohäiriöitä.
- i) Varmista, että paikalla olevat muut henkilöt ovat turvallisen välimatkan päässä työalueelta. Kaikkien työalueella olevien henkilöiden on käytettävä henkilökohtaisia suojarusteita. Työstökappaleen tai rikkoutuneen lisävarusteen osat voivat irrotessaan aiheuttaa henkilövahinkoja myös välittömän työalueen ulkopuolella.
- j) Pitele laitetta ainoastaan sen eristetyistä kosketuspinnosta silloin, kun suoritat toimenpidettä, jossa leikkuuväline voi päästä kosketuksiin piilossa oleviin sähköjohtoihin tai sen omaan sähköjohtoon. Leikkuuvälineen koskettaminen jännitteenalaiseen sähköjohtoon voi tehdä laitteen metallisista osista jännitteenalaisia ja aiheuttaa näin sähköiskuja käyttäjälle.
- k) Aseta virtajohto niin, että se ei pääse kosketuksiin pyörivään lisävarusteeseen. Jos menetät laitteen hallinnan, laite voi katkaista virtajohdon tai tarttua siihen, ja kätesi tai käsivartesi voi joutua kosketuksiin pyörivään lisävarusteeseen.
- l) Älä koskaan aseta laitetta alas ennen kuin lisävaruste on pysähtynyt täysin. Pyörivä lisävaruste voi tarttua pintaan ja vetää laitetta niin, että sen hallinta menetetään.
- m) Älä kytke laitetta päälle sitä pitäen sivussa. Pyörivä lisävaruste voi vahingossa tarttua vaatteisiin, jolloin ne voivat vetää lisävarusteen kehoosi.
- n) Puhdista laitteen tuuletusaukot säännöllisesti. Moottorin tuuletin vetää pölyn koteloon

sisälle ja liallinen metallipöly voi aiheuttaa sähköiskuvaaroja.

- o) Älä käytä laitetta syttyvien materiaalien lähellä. Kipinät voivat sytyttää kyseiset materiaalit.
- p) Älä käytä lisävarusteita, jotka vaativat nestemäisten jäähdysaineiden käyttöä. Veden tai muiden nesteiden käyttö jäähdysaineina voi johtaa kuolemaan tai sähköiskuun.

### Takaisin isku ja vastaavat varoitukset

Takaisin isku on äkkinäinen liike, joka johtuu laikan, taustalevyn, harjan tai muun lisävarusteen jäämisestä puristuksiin tai kiinni tarttumisesta. Puristuksiin jääminen tai kiinni tarttuminen aiheuttaa pyörivän lisävarusteen nopean pysähtymisen, jolloin laitteen hallinta menetetään ja laite suuntaa pysähdysketkellä lisävarusteen pyörimissuuntaa vastakkaiseen suuntaan.

Jos esimerkiksi hiomalaikka tarttuu tai jää puristuksiin työstökappaleeseen, kiinni jäävä laikan reuna voi mennä materiaalin sisään ja aiheuttaa laikan ulostulon tai takaisin iskun. Laikka voi joko iskeä käyttäjää kohtai tai käyttäjästä pois päin, sen hetkisestä laikan pyörimissuunnasta riippuen. Hiomalaikat voivat tällöin myös rikkoutua.

Takaisin isku johtuu laitteen vääriinkäytöstä ja/tai virheellisistä toimenpiteistä tai käyttöolosuhteista ja ne voidaan välttää noudattamalla alla olevia varotoimenpiteitä.

- a) Pidä laitteesta lujasti kiinni ja ota sellainen asento, joka pystyy vastaamaan takaisin iskuhin. Käytä aina lisäkahvaa (jos sellainen on olemassa) niin, että maksimoisit takaisin iskut ja käynnistyksen aikaiset vääntövoimat hallinnan. Käyttäjä voi hallita vääntövoimat ja takaisin iskut, jos asianomaiset varotoimet suoritetaan.
- b) Älä koskaan aseta kättä pyörivän lisävarusteen lähelle. Lisävaruste voi iskeä takaisin käteesi.
- c) Älä aseta kehoasi alueelle, johon laite siirtyy mahdollisen takaisin iskun aikana. Takaisin isku tapahtuu sen hetkistä kiertosuuntaa vastakkaiseen suuntaan.
- d) Ole erityisen varovainen työstäessä nurkkia, teräviä reunoja jne. Vältä lisävarusteen kimpoaminen ja tarttuminen. Nurkat, terävät reunat ja kimpoaminen johtavat useinmiten pyörivän lisävarusteen kiinni jäämiseen ja ne voivat aiheuttaa hallinnan menetyksen tai takaisin iskun.

- e) Älä kiinnitä laitteeseen ketjusahan kaiverrusteriä tai hammastettuja sahanteriä. Kyseiset terät aiheuttavat usein takaisiniskuja ja hallinnan menetyksiä.

### Säilytä nämä ohjeet!

- Tarkista, vastaako hiomalaikkaan merkitty suurin kierrosnopeus koneen suurinta sallittua kierrosnopeutta. Koneen kierrosnopeus ei saa olla hiomalaikkaan merkittyä arvoa suurempi.
- Tarkista, että hiomalaikan mitat vastaavat koneen teknisiä tietoja.
- Tarkista, että hiomalaikka on asennettu oikein ja kiinnitetty kunnolla paikoilleen. Älä yritä saada hiomalaikkaa sopimaan väkisin koneeseen-epistusrunkaiden tai sovitinten avulla.
- Käytä ja säilytä hiomalaikkoja hankkijalta saamiesi ohjeiden mukaisesti.
- Älä käytä konetta paksumpien työstökappaleiden leikkaamiseen kuin leikkauslaikan suurin hiontasuhteeseen.
- Älä käytä leikkauslaikkoja purseenpoistoon.
- Varmista karan ruuvinkierteisiin kiinnitettävillä hiomalaikoilla, että karassa on riittävästi kierkeitä. Varmista, että kara on riittävästi suojattuna eikä tule kosketukseen hiomapiinnan kanssa.
- Tarkista ennen käyttöä, ettei hiomalaikassa ole vaurioita. Älä käytä murtuneita, revenneitä tai muutoin vahingoittuneita hiomalaikkoja.
- Käytä konetta kuormittamattomana 30 sekuntia ennen sen käyttöönottoa. Katkaise koneen virta välittömästi, jos se alkaa täristä huomattavasti, tai jos siinä ilmenee jokin muu vika. Tarkasta kone ja hiomalaikka huolellisesti ennen kuin käynnistät koneen uudelleen.
- Varmista, ettei mahdollinen kipinöinti aiheuta henkilövahinkoja tai roisku helposti syttyviä aineita kohti.
- Varmista, että työstettävä kappale on riittävästi tuettuna tai puristettuna. Pidä kädet loitolla hiottavasta pinnasta.
- Käytä aina suojalaseja ja kuulosuojaimia. Käytä halutessasi tai tarvittaessa myös muita suojarusteita, esimerkiksi esiliinaa tai kypärää.
- Varmista, että pyörät ja terät on kiinnitetty valmistajan ohjeiden mukaisesti.
- Varmista, että hiovan tuotteen kanssa mahdollisesti toimitetut välilevyt ovat tarvittaessa käytössä.
- Jos työkalun mukana on toimitettu suojuus, älä käytä laitetta ilman suojuusta.

- Jos työkalu on tarkoitettu kiinnitettäväksi pyörään, jossa on kierteitetty reikä, varmista, että pyörän kierre on riittävän pitkä karan pituuteen nähden.
- Varmista, että ilma-aukot pysyvät puhtaina, kun työskentelet pölyisissä tiloissa. Jos pölyn poistaminen on tarpeen, irrota työkalu ensin verkkovirrasta (älä käytä tähän metallisia välineitä) äläkä vahingoita laitteen sisäosia.
- Sähköverkon heikko kunto voi aiheuttaa jännitteen lyhytaikaisen alenemisen laitteen käynnistysvaiheessa. Tämä voi vaikuttaa muihin laitteisiin (esimerkiksi valaisimen lamppu voi vilkkua). Jos sähköverkon impedanssi  $Z_{max} < 0,348$  ohmia, häiriöitä ei todennäköisesti esiinny. (Pyydä tarvittaessa lisätietoja paikalliselta sähkölaitokselta.)

Pysäytä kone välittömästi, jos:

- Hiiliharjat kipinöivät liikaa tai kollektori on tulussa.
- Pistoke tai johto on viallinen.
- Kytkin on viallinen.
- Savua tai käryä erittyä.

### Sähköturvallisuus

Käyttäessäsi sähkökoneita ota aina huomioon voimassa olevat turvallisuussäädökset välttääksesi tulipalot, sähköiskun ja loukkaantumisen. Lue seuraavassa annetut käyttöohjeet ja koneen mukana olevat turvallisuusohjeet.



*Tarkista aina, että virranlähteen volttimäärä vastaa tehokilvessä annettuja lukuja.*



*Koneesi on kaksoiseristetty; siksi maattojohdinta ei tarvita.*

### Liitäntäkaapeleiden tai pistokkeiden vaihtaminen

Hävitä vanhat liitäntäkaapelit ja pistokkeet heti vaihdettuasi tilalle uudet. On vaarallista työntää viallisen kaapelin pistoke pistorasiaan.

### Jatkojohtojen käyttäminen

Käytä vain hyväksyttyä jatkojohtoa, joka sopii konteen syöttötehoon. Johtimen vähimmäiskoko on 1,5 mm<sup>2</sup>. Kun käytät kaapelikelaa, kelaa johto aina kokonaan ulos.

## 3. KOKOAMINEN



*Irrota kone verkkovirrasta ennen lisälaitteiden asennusta.*

### Kahvan asentaminen

#### Kuva 2

Kahva sopii käytettäväksi sekä oikealta että vasemmalta.

- Asenna kahva niin, että reiät sopivat koneen ruuviin reikiin.
- Kiristä kahva pulteilla ja kuusikulmioavaimella.

### Lisävarusteiden asentaminen

#### Kuva 3

- Paina karan lukitus päälle
- Ruuvaa ja kiristä laikan kiinnitys karaan
- Poista karan lukitus
- Aseta kiillotuslaikka (4) pidikkeeseen (5).

### Lisävarusteet

#### Kuva 4

#### Kiillotuslaikka (3)

Tätä laikkaa käytetään yhdessä kuitulaikan kanssa loistavaan kiillotukseen ja vahaukseen.

#### Villakiillotuslaikka (4)

Laikkaa käytetään loistavan kiiltävän viimeistelyn saavuttamiseen.

## 4. KÄYTTÖ



*Noudata aina turvallisuusohjeita ja sovellettavia säädöksiä.*

- Varmista ennen käynnistämistä ja sammuttamista, että kone ei kosketa työkaluun.
- Ota kone aina ensin pois päältä käytön jälkeen ennen kuin irrotat pistokkeen pistorasiasta.

### Nopeuden säätö

#### Kuva 5

Laikan nopeutta voidaan säädellä kahvan päällä olevalla käännettävällä nupilla.

Mitä korkeammalla nuppi on, sitä suurempi nopeus. Kun käytät kiillotettaessa vahaa, älä aloita korkeilla nopeuksilla.



## Käynnistys ja sammuttaminen

### Kuva 6

- Tämä kone on varustettu turvakytkimellä.
- Käynnistä kone painamalla "lock off"-painiketta (kytkimen vapauttamiseksi) ja kytkemällä koneeseen virta.

### Sammutus

Vapauta kytkin.



*Laite jatkaa käymistä sen jälkeen, kun se on sammutettu.*

Laske kone pois käsistäsi vasta, kun moottori on pysähtynyt kokonaan. Älä laita konetta pölyiselle alustalle. Pölyhiukkaset voivat päästä koneeseen.



*Älä koskaan käytä karan avainta moottorin pyörimisen pysäyttämiseen.*

## 5. HUOLTO & YLLÄPITO



*Ennen kuin alat suorittaa koneen huoltotöitä varmista, ettei kone ole käynnissä.*

Kone on suunniteltu toimimaan pitkään vähäisillä ylläpitotoimilla. Jatkuva tyydyttävä toiminta riippuu koneen oikeasta huollosta ja säännöllisestä puhdistamisesta.



*Vain pätevän huoltomiehen tai huoltoliikkeen tulisi suorittaa korjaukset ja huollot.*

### Puhdistaminen

Pidä koneen tuuletusaukot puhtaina, jotta estät koneen ylikuumentumisen. Puhdista koneen kotelon pinta säännöllisesti pehmeällä kankaalla, mielellään jokainen käytön jälkeen.

Pidä tuuletusaukot puhtaina pölystä ja liasta. Jos liika ei irtoa, käytä saippuaveteen kostutettua pehmeää kangasta. Älä koskaan käytä liuottimia kuten bensiiniä, alkoholia, ammoniakkiuosta jne. Nämä liuottimet voivat vahingoittaa muoviosia.

### Viat

Jos koneessa ilmenee vikoja, esim. jokin osa kuuluu loppuun, ota yhteyttä takuukortissa

nimettyyn asiakaspalveluun. Tämän käyttöohjeen takana on lueteltu kattavasti kaikki tilattavissa olevat varaosat.

## YMPÄRISTÖ

Jotta osat eivät vahingoittuisi kuljetuksessa, tilaus toimitetaan vahvassa, pääosin kierrätettävästä materiaalista valmistetussa pakkauksessa. Siksi suosittelemme kierrättämään pakkausmateriaalin mahdollisuuksien mukaan.



*Viallinen ja/tai käytöstä poistettu sähkölaite on hävitettävä toimittamalla se asianmukaiseen kierrätyspisteeseen.*

### Vain EC-maille

Älä hävitä sähkölaitteita kotitalousjätteen mukana. Sähkö- ja elektroniikkaromua koskevan EU-standardin 2012/19/EU ja vastaavien paikallisten lakien mukaisesti käytetyt sähkölaitteet on hävitettävä erilliskeräyksessä ympäristöystävällisesti.

## TAKUU

Takuuehdot on määritelty koneen mukana toimitetussa erillisessä takuukortissa.

**Tuotteeseen ja käyttöoppaaseen voidaan tehdä muutoksia. Teknisiä tietoja voidaan muuttaa ilmoituksetta.**

## VINKELPOLERER 1400W - 180MM

### Tusen takk for at du valgte dette Ferm-produktet.

Det betyr at du nå har anskaffet et fremragende produkt, levert av en av Europas ledende distributører. Alle produkter fra Ferm er framstilt i samsvar med de strengeste standarder når det gjelder ytelse og sikkerhet. En del av vår filosofi er også å yte fortreffelig kundeservice, som i tillegg støttes av vår omfattende garanti.

Vi håper du vil ha glede av dette produktet i mange år framover.

**Tallene i teksten henviser til diagrammene på side 2-3.**



*Les bruksanvisningen nøye før du tar maskinen i bruk. Gjør deg kjent med hvordan redskaper fungerer og hvordan den skal brukes. Vedlikehold maskinen som angitt i instruksene, slik at den alltid fungerer knirkefritt. Bruksanvisning og tilhørende dokumentasjon skal oppbevares i nærheten av maskinen.*

### Innhold

1. Informasjon om maskinen
2. Sikkerhetsinstruksjoner
3. Montering
4. Bruk
5. Service og vedlikehold

### Innledning

All annen bruk enn polering og lett sliping er strengt forbudt.

## 1. INFORMASJON OM MASKINEN

### Tekniske data

Spenning	230-240 V~
Frekvens	50 Hz
Effekt	1400 W
Hastighet uten last	1000-3300 o/min
Skivediameter	180 mm
Spindelstørrelse	M 14
Vekt	3.3 kg
Lpa (lydtrykk)	86+3 dB(A)
Lwa (lydeffekt)	97+3 dB(A)
Vibrasjon	3.51+1.5 m/s <sup>2</sup>

### Vibrasjonsnivå

Det angitte vibrasjonsnivået som er angitt bak i denne bruksanvisningen er blitt målt i samsvar med en standardisert test som er angitt i EN 60745; den kan brukes til å sammenligne et verktøy med et annet, og som et foreløpig overslag over eksponering for vibrasjoner ved bruk av verktøyet til de oppgavene som er nevnt

- bruk av verktøyet til andre oppgaver, eller med annet eller mangelfullt vedlikeholdt utstyr, kan gi en vesentlig økning av eksponeringsnivået
- tidsrommene når verktøyet er avslått eller når det går men ikke arbeider, kan gi en vesentlig reduksjon av eksponeringsnivået

Beskytt deg selv mot virkningene av vibrasjoner ved å vedlikeholde verktøyet og utstyret, holde hendene varme og organisere arbeidsmåten din

### Funksjoner

#### Fig. 1

1. Av/på-bryter
2. Hastighetskontroll
3. U-formet håndtak
4. Puteholder
5. Spindellås
6. Sperrebryter

## 2. SIKKERHETSINSTRUKSJONER

### Symbolforklaring



*Betegnelse for risiko for personskader, dødsfald eller beskadigelse af værktøjet i tilfælde af at du er uopmærksom på instruktioner i denne manual.*



*Indikerer farer for elektrisk stød.*



*Bruk kun spindellås i stillestående modus.*



*Hold andre personer på avstand.*



*Bruk vernebriller og hørselsvern.*



*Bruk vernehansker.*



*Variabel hastighetskontroll*

### **Sikkerhetsanvisninger felles for sliping, stålbørsting eller polering:**

- a) Dette elektriske verktøyet er men å brukes til sliping, stålbørsting og polering. Les alle sikkerhetsanvisninger, instruksjer, illustrasjoner og spesifikasjoner som følger med verktøyet. Dersom du ikke følger alle anvisningene under kan det føre til elektrisk støt, brann og/eller alvorlig personskade.
- b) Arbeid som fresing eller avkapping anbefales ikke med dette elektriske verktøyet. Arbeid som det elektriske verktøyet ikke er designet for kan være farlig og føre til personskader.
- c) Ikke bruk tilbehør som ikke er spesielt laget for og anbefalt av verktøyprodusenten. Bare fordi tilbehøret kan festes på det elektriske verktøyet, sikrer det ikke sikker operasjon.
- d) Nominell hastighet på tilbehøret må minst være lik maksimumshastighet som er merket på det elektriske verktøyet. Tilbehøret som kjører hurtigere enn deres nominelle hastighet kan gå av og fly av.
- e) Utvendig diameter og tykkelse på tilbehøret må være innenfor kapasitetsmerkingen på det elektriske verktøyet. Feil størrelser på tilbehøret er ikke egnet kan ikke sikres eller kontrolleres.
- f) Akselstørrelsen på hjulene, flensene, støtteputene eller annet tilbehør må passe riktig på spindelen på det elektriske verktøyet. Tilbehør med akselhull som ikke passer monteringstilpasningene på verktøyet vil miste balansen, vibrere mye og forårsake tap av kontroll.
- g) Ikke bruk skadet tilbehør. Før hvert bruk, undersøk tilbehøret som slipeskiver for splinter og brudd, støtte puter for brudd, flenger eller slitasje, metallbørster og løse eller brutte børster. Hvis verktøyet eller tilbehøret faller ned, undersøk om det er skader eller installer et uskadet tilbehør. Etter å ha undersøkt og installert et tilbehør, plasser deg og tilskuere unna stedet der det er roterende tilbehør befinner seg og kjør det elektriske verktøyet på maksimum ubelastet hastighet i et minutt. Skadet tilbehør vil normalt gå i stykker i løpet av denne testtiden.
- h) Bruk personlig verneutstyr. Avhengig av anvendelse, bruk støvmaske, vernebriller eller sikkerhetsbriller. Bruk støvmaske, hørselsvern, hansker og verkstedforikle som er i stand til å stoppe små slipematerialer eller fragmenter fra arbeidsstykket. Vernebrillene må være i stand til å stoppe flygende rester som lages fra de forskjellige operasjonene. Støvmasken eller surstoffmasken må være i stand til å filtrere partikler som skapes fra operasjonen din. Lang eksponering av høyintensiv lyd kan forårsake hørselstap.
- i) Hold tilskuere på en sikker avstand fra arbeidsområdet. Alle som kommer inn i arbeidsområdet må bruke personlig verneutstyr. Fragmenter av arbeidsstykket eller av et brukket tilbehør kan fly av gårde og forårsake skader bortenfor operasjonsområdet.
- j) Hold det elektriske verktøyet kun i de isolerte håndtakene, når man utfører en operasjon da skjæretilbehøret kan få kontakt med skjulte ledninger eller sin egen ledning. Skjæretilbehør som får kontakt med en "levende" ledning, kan gjøre metalldele på det elektriske verktøyet "levende" og operatøren får elektrisk støt.
- k) Plasser ledningen unna hurtigroterende tilbehør. Hvis du mister kontrollen, kan ledningen bli kuttet eller henge seg fast på hånden eller armen din og bli trukket inn i det roterende tilbehøret.
- l) Legg aldri det elektriske verktøyet ned før tilbehøret har stoppet fullstendig. Roterende tilbehør kan ta tak i overflaten og dra verktøyet bortover slik at du ikke kan kontrollere det.
- m) Ikke kjør verktøyet når du bærer det ved din side. Utilsiktet kontakt med roterende tilbehør kan ta tak i klærne dine, og dra verktøyet inn i kroppen din.
- n) Rengjør verktøyet sine lufteventiler med jevne mellomrom. Motorviftene vil dra støv inne i kassen og store oppsamlinger av maskinbehandlet metall kan forårsake skader på det elektriske.
- o) Ikke bruk verktøyet i nærheten av brennbare materialer. Gnister kan antenne disse materialene.
- p) Ikke bruk tilbehør som krever væskeavkjøling. Hvis man bruker vann eller andre væskeavkjøling, kan det resultere i dødelig elektroshokk eller støt.

### Rekyl og relaterte advarsler

Rekyl er en plutselig reaksjon på et klemt eller hengende roterende hjul, støttepute, børste eller noe annet tilbehør. Klemming eller henging forårsaker hurtig steiling av det roterende tilbehøret som i sin tur forårsaker at det ukontrollerte verktøyet vil bli tvunget i motsatt retning av tilbehørets rotasjon i forhold til det punktet der det sitter fast. For eksempel, hvis en slipeskive blir fanget eller klemt av arbeidsstykket, kan kanten av skiven som kommer inn i klemmepunktet grave seg ned i overflaten av materialet og forårsake at skiven klatrer ut eller hopper ut. Skiven kan enten hoppe mot eller unna operatøren, avhengig av retningen på skivens bevegelse fra det punktet der det klemmes. Slipeskiver kan også brette under disse betingelsene.

Rekyl er et resultat av feil bruk av verktøyet og/eller feil operasjonsprosedyrer eller betingelser og kan unngås ved å ta skikkelige forholdsregler som gitt under.

- a) Ta et godt tak i verktøyet og plasser kroppen og armen slik at det lar deg motstå rekylkraften. Bruk alltid hjelpehåndtaket, hvis det følger med, for maksimum kontroll over rekyl eller dreiemomentsmotstand under oppstart. Operatøren kan kontrollere dreiemomentsmotstand eller rekyl, hvis man tar skikkelige forholdsregler.
- b) Plasser aldri hendene i nærheten av roterende tilbehør. Tilbehøret kan slås over hendene dine.
- c) Ikke plasser kroppen i området der verktøyet beveger seg hvis det oppstår rekyl. Rekyl vil drive verktøyet i motsatt retning av skivens bevegelse på det punktet der det tar tak.
- d) Vær spesielt forsiktig når du arbeider ved hjørner, skarpe kanter etc. Unngå at tilbehøret hopper og blir hengende fast. Hjørner, skape kanter eller hoppende bevegelser har en tendens til å ta tak i det roterende tilbehøret og forårsake tap av kontroll eller rekyl.
- e) Ikke fest på en sageskjede, treskjærerblad eller et sagblad med tenner. Slike blad skaper hyppige rekyl og tap av kontroll.

### Spesielle sikkerhetsforholdsregler

- Kontroller om det maksimale turtallet, som er angitt på slipeskiva, stemmer overens med maskinens maksimale turtall. Maskinens turtall må ikke overstige slipeskivas maksimale turtall.

- Pass på at slipeskivas dimensjoner stemmer overens med maskinens spesifikasjoner.
- Pass på at slipeskiva er montert korrekt og at den er festet skikkelig. Bruk aldri noen form for foringer eller adaptere for å få ei slipeskive til å passe.
- Slipeskivene må behandles og oppbevares ifølge leverandørens egne forskrifter.
- Ikke bruk maskinen til å kappe arbeidsstykker som er tykkere enn kappeskivas maksimale slipedybde.
- Ikke bruk kappeskiver til vanlige slipeoppgaver.
- Se til at det er tilstrekkelig med gjenger på spindelen når du bruker slipeskiver som festes ved å skrus inn på spindelgjengene. Pass på at spindelen er tilstrekkelig beskyttet og ikke kan komme i kontakt med slipeflaten.
- Kontroller slipeskivene for eventuelle skader før bruk. Ikke bruk slipeskiver som er sprukket, opprevet eller skadet på annen måte.
- La maskinen gå i 30 sekunder uten belastning før den tas i bruk. Slå av maskinen øyeblikkelig hvis den begynner å vibrere unaturlig mye eller hvis det viser seg at den er defekt på en annen måte. Kontroller maskinen og slipeskiva grundig før du starter maskinen på nytt.
- Pass på at det eventuelle gnistregnet ikke kan være til fare for mennesker i nærheten og at gnistregnet ikke spruter i retning av lett antennelige stoffer.
- Pass på at arbeidsstykket er tilstrekkelig godt støttet opp eller klemt fast. Hold hendene borte fra den flaten som skal slipes.
- Bruk alltid vernebriller og hørselsvern. Bruk gjerne annet verneutstyr også, som for eksempel verneforkle eller hjelm, og alltid når det er påkrevet.
- Pass på at monterte slipeskiver og -hoder er festet i samsvar med produsentens instruksjoner.
- Pass på at festeskiver brukes når slike festeskiver følger med slipeproduktene og når det ellers kreves.
- Hvis verktøyet leveres med vernehette, må verktøyet aldri brukes uten denne vernehetten.
- For verktøy som bruker slipeskiver som festes med gjenger, må du passe på at gjengene i skiven er så lange at hele spindelen skrus inn.

- Pass på at ventilasjonsåpningene ikke blokkeres når verktøyet brukes på steder med mye støv. Hvis verktøyet må rengjøres for støv, må verktøyet først kobles fra strømmettet. Ikke bruk metalliske objekter til å rengjøre verktøyet, og unngå å skade interne deler.
- Hvis strømmettet er i dårlig forfatning, kan det oppstå kortvarige spenningsfall når vinkelsliperen startes. Dette kan virke inn på annet utstyr (for eksempel kan lamper blinke). Hvis nettimpedansen er mindre enn 0.348 ohm, skal det vanligvis ikke oppstå slike forstyrrelser. (Hør med din lokale forhandler hvis du har behov for mer informasjon).

Slå øyeblikkelig av maskinen ved:

- Uvanlig gnistring fra kullbørstene og flammer i kollektorringen.
- Feil på støpselet, nettkabelen eller ødelagte ledninger.
- Defekt bryter.
- Røyk eller lukt av svidd isoleringsmaterieill.

### Elektrisk sikkerhet

Les følgende sikkerhetsanvisninger og også de separat vedlagte sikkerhetsinstruksene.



*Pass på at strømforsyningen passer med spenningen oppgitt på typeskiltet.*



*Maskinen din er dobbeltisolert; jording er derfor ikke nødvendig.*

### Skifte av ledning eller støpselet

Kast umiddelbart brukte ledninger og støpsler når de er erstattet med nye. Det medfører fare å sette inn støpselet til en løs ledning i en stikkontakt.

### Bruk av skjøteledning

Bruk kun godkjente skjøteledninger som er egnet til strømnettet til maskinen. Minimumstørrelsen til ledningen er 1.5 mm<sup>2</sup>. Hvis du bruker en ledningssnelle, må du passe på at ledningen er fullstendig rullet ut.

## 3. MONTERING



*Før du setter på tilbehør, må du alltid trekke ut støpselet.*

### Montering av håndtaket

#### Fig. 2

Håndtaket er egnet til både kjøvhendte og høyrehendte.

- Monter håndtaket slik at hullene passer i skruerhullene på maskinen.
- Fest håndtaket ved å skru til skruene med en sekskantnøkkel.

### Montering av tilbehør

#### Fig. 3

- Trykk inn spindellåsen
- Skru til og fest puteholderen på spindelen
- Slipp spindellåsen
- Monter poleringsputen (4) på puteholderen (5).

### Tilbehør

#### Fig. 4

### Poleringspute (3)

Brukes for polering med høyglans og påføring av voks.

### Poleringspute av ull (4)

Denne brukes for å oppnå høyglans.

## 4. BRUK



*Følg alltid sikkerhetsinstruksjonene og gjeldene forskrifter.*

- Hold maskinen borte fra arbeidsstykket når du slår den på og av.
- Slå alltid av maskinen før du trekker støpselet ut av kontakten.

### Hastighetskontroll

#### Fig. 5

Hastigheten til skiva kan kontrolleres ved hjelp av bryteren øverst på håndtaket.

Jo høyere du skyver den, desto høyere blir hastigheten. Når du påfører voks eller polerer, må du ikke starte med høy hastighet.

## Inn-/utkopling

### Fig. 6

- Denne maskinen har en sikkerhetsbryter.
- Start maskinen ved å trykke på knappen "slå av lås" (for å frigjøre bryteren) og slå maskinen på.

### Slå av

Slipp bryteren.



*Sliperen vil fortsette å gå en liten stund etter at den er slått av.*

Vent med å legge fra deg maskinen til motoren har stoppe fullstendig å dreie. Ikke legg maskinen på et støvete underlag. Da kan det komme støvpartikler inn i maskinen.



*Bruk aldri spindelnøkkelen til å stoppe motoren.*

## 5. SERVICE OG VEDLIKEHOLD



*Forsikre deg om at maskinen ikke er i gang når du utfører vedlikeholdsarbeid på maskinen.*

Maskinen er konstruert for å kunne brukes over lang tid med minimalt behov for vedlikehold. Hvorvidt maskinen fungerer tilfredsstillende avhenger av behandlingen og rengjøringen av maskinen.



*Reparasjoner og service bør kun utføres av kvalifisert personell eller serviceverksted.*

### Rengjøring

Hold luftehullene rene for å forhindre overoppheting av maskinen. Rengjør maskinhuset regelmessig med en tørrklut, helst etter hver bruk. Hold luftehullene fri for støv og smuss. Hvis du ikke får tørket av smusset med en tørr klut, fukt den i såpevann. Bruk aldri løsemidler som bensin, alkohol, salmiakk o.l. Disse løsemidlene kan skade plastikkdelene.

### Feil

Hvis det oppstår en feil, som f.eks. en slitt del, vennligst kontakt serviceadressen på garantikortet. Bakerst i denne bruksanvisningen finner du en detaljert oversikt over hvilke deler som kan bestilles.

## MILJØ

For å forhindre skader under transport, leveres apparatet med kraftig emballasje som stort sett består av gjenvinnbart materiale. Vennligst gjennvinn dette materialet på egnet måte.



*Defekte og/eller brukte elektriske og elektroniske apparater må leveres hos egnede miljøstasjoner.*

### Gjelder kun i EU-landene.

Elektriske verktøy må ikke kastes sammen med husholdningsavfall. I henhold til EU-direktiv 2012/19/EU for elektrisk og elektronisk avfall, samt implementering av direktivet i nasjonal lovgivning, skal elektriske verktøy som ikke lenger kan brukes kastes separat og på en miljøvennlig måte.

## GARANTI

Garantibetingelsene finner du på et separat vedlagt garantikort.

## VINKELPUDSER 1400W - 180MM

### Tak, fordi De købte dette Ferm-produkt.

Ved at gøre det har De nu et fremragende produkt leveret af en af Europas førende distributører.

Alle produkter, der leveres af Ferm, er fremstillet i henhold til de højeste standarder for ydeevne og sikkerhed, og som en del af vores filosofi yder vi en enestående kundeservice, der ledsages af vores omfattende garanti.

Vi håber, De vil få stor fornøjelse med dette produkt i mange år fremover.

**Numrene i den nedenstående tekst henviser til illustrationerne på side 2-3.**



Læs denne brugsanvisning nøje igennem, før maskinen tages i brug. Gør dig fortrolig med funktionerne og betjeningen. Maskinen skal vedligeholdes i overensstemmelse med anvisninger, så maskinen altid fungerer problemfrit. Brugsanvisningen og dertilhørende dokumentation skal opbevares i nærheden af maskinen.

### Indhold

1. Maskindata
2. Sikkerhedsanvisninger
3. Montage
4. Anvendelse
5. Service & vedligeholdelse

### Introduktion

Det er strengt forbudt at anvende maskinen til andet end polering .

## 1. MASKINDATA

### Tekniske specifikationer

Spænding	230-240 V~
Frekvens	50 Hz
Indgangseffekt	1400 W
Tomgangshastighed	1000-3300/min.
Skivediameter	180 mm
Spindeldimension	M 14
Vægt	3.3 kg
Lpa (lydtryk)	86+3 dB(A)
Lwa (Lydstyrke)	97+3 dB(A)
Vibration	3.51+1.5 m/s <sup>2</sup>

### Vibrationsniveau

Det vibrationsniveau, der er anført bag på denne betjeningsvejledning er målt i henhold til den standardiserede test som anført i EN 60745; den kan benyttes til at sammenligne to stykker værktøj og som en foreløbig bedømmelse af udsættelsen for vibrationer, når værktøjet anvendes til de nævnte formål.

- anvendes værktøjet til andre formål eller med andet eller dårligt vedligeholdt tilbehør, kan dette øge udsættelsesniveauet betydeligt.
- de tidsrum, hvor værktøjet er slukket, eller hvor det kører uden reelt at udføre noget arbejde, kan reducere udsættelsesniveauet betydeligt.

Beskyt dig selv imod virkningerne af vibrationer ved at vedligeholde værktøjet og dets tilbehør, ved at holde dine hænder varme og ved at organisere dine arbejdsmønstre.

### Funktioner

#### Fig. 1

1. Tænd/sluk-kontakt
2. Hastighedskontrol
3. U-formet håndtag
4. Pudeholder
5. Spindellås
6. Kontaktlås

## 2. SIKKERHEDSFORSKRIFTER

### Symbolforklaring



Betegnelse for risiko for personskader, dødsfald eller beskadigelse af værktøjet i tilfælde af at du er uopmærksom på instruktioner i denne manual.



Indikerer farer for elektrisk stød.



Spindellåsen må kun bruges, når maskinen ikke kører.



Brug beskyttelsesbriller og høreværn.



Brug beskyttelsesbriller og høreværn.





Bær beskytteshandsker.



Variabel hastighedsregulering

### Fælles sikkerhedsadvarsler for funktioner som slibning, stålborstning eller polering:

- a) Dette elværktøj er påtænkt at fungere som en slibemaskine, stålborste eller pudsemaskine. Læs alle sikkerhedsadvarsler, instruktioner, illustrationer og specifikationer, der følger med dette elværktøj. Manglende overholdelse af alle nedenstående instruktioner kan medføre elektrisk stød, brand og/eller alvorlig personskade.
- b) Vi anbefaler, at elværktøjet ikke anvendes til funktioner som f.eks. slibning eller afskæring. Anden brug end den, elværktøjet er fremstillet til, kan udgøre en fare og forårsage personskade.
- c) Anvend intet tilbehør, som ikke er specielt designet og anbefalet af værktøjsproducenten. Det, at tilbehøret kan fastgøres til dit elektrisk drevne værktøj, er ikke ensbetydende med sikker drift.
- d) Tilbehørets arbejdsbelastning skal mindst svare til den maksimale hastighed der er angivet på det elektrisk drevne værktøj. Tilbehør, der kører hurtigere end deres arbejdsbelastning, kan knække og flyve fra hinanden.
- e) Den udvendige diameter og tykkelsen af dit tilbehør skal være inden for dit elektrisk drevne værktøjs kapacitetsmæssige arbejdsbelastning. Tilbehør, der ikke er korrekt dimensioneret, kan ikke blive tilstrækkeligt overvåget eller kontrolleret.
- f) Dornstørrelsen på hjulene, flanger eller andet udstyr skal passe korrekt til det elektrisk drevne værktøjs spindel. Tilbehør med dornhuller, der ikke matcher med det elektrisk drevne værktøjs monteringshardware vil ikke være afbalanceret, vil vibrere usædvanligt meget og kan forårsage kontroltab.
- g) Anvend aldrig ødelagt udstyr. Kontrollér udstyret før hver brug for f.eks. slibehjul til fliser og revner, støtteunderlag til revner, normal slitage, wireborste til løse eller revnede wirer. Hvis det elektrisk drevne værktøj eller udstyr har været tabt, kontrollér det for beskadigelser og installér ubeskadiget udstyr. Efter inspektion og installation af noget udstyr anbring dig selv og tilskuere på afstand af det roterende udstyr og kør det elektrisk drevne værktøj ved maksimum ingen lasthastighed i et minut. Ødelagt udstyr vil normalt knække i løbet af denne testtid.
- h) Bær personligt beskyttelsesudstyr. Afhængigt af anvendelse bær ansigtsskærm, beskyttelses- eller sikkerhedsbriller. Alt efter omstændigheder bær støvmaske, høreværn handsker og værkstedsforklæde, der kan stoppe små sliberester eller rester fra arbejdssemner. Øjeværn skal kunne stoppe flyvende brokker genereret af forskellige arbejdsprocesser. Støvmasken eller respirator skal kunne filtrere partikler, genereret af din arbejdsproces. Forlænget udsættelse til høj støjvolumen kan forårsage høretab.
- i) Hold tilskuere på en sikker afstand fra arbejdsområdet. Alle, som færdes på arbejdsområdet skal bære personligt beskyttelsesudstyr. Der kan være flyvende fragmenter fra arbejdssemner eller fra knækket udstyr, der kan forårsage kvæstelser tæt på arbejdsområdet.
- j) Hold udelukkende på det elektrisk drevne værktøjs isolerede greb under udførelse af arbejdet hvor skæreudstyret kan komme i kontakt med skjulte ledninger eller egen ledning. Hvis skæreudstyr kommer i kontakt med en "levende" wire, kan det gøre udsatte metaldele fra det elektrisk drevne værktøj "levende" og give operatøren chok.
- k) Anbring ledningen på afstand af rotationsudstyr. Hvis du mister kontrollen, kan ledningen blive skåret over eller hænge fast, og din hånd eller arm kan blive trukket ind i det roterende udstyr.
- l) Læg aldrig det elektrisk drevne værktøj fra dig, før strømmen er slået fra. Det roterende udstyr kan gribe fast i overfladen og kan trække det elektrisk drevne værktøj ud af din kontrol.
- m) Arbejd ikke med det elektrisk drevne værktøj, mens du bærer det ned langs siden. En uheldig kontakt med det roterende udstyr kunne gribe fast i dit tøj og trække udstyret ind i din krop.
- n) Rengør regelmæssigt det elektrisk drevne værktøjs ventilationshuller. Motorens blæser vil trække støv ind i huset og den usædvanlig kraftige akkumulation af sprængt metal kan forårsage elektriske risici.

- o) Arbejd ikke med det elektrisk drevne værktøj tæt ved brandbare materialer. Gnister kan antænde disse materialer.
- p) Anvend ikke udstyr, der kræver flydende kølevæske. Brug af vand eller anden flydende kølevæske kan resultere i elektrisk aflivning eller chok.

### Bagslag og beslægtede advarsler

Bagslag er en hurtig reaktion på et klemt eller fanget roterende hjul, støtteunderlag, børste eller andet udstyr. Klemte eller fangne dele forårsager hurtigt blokering af det roterende udstyr som omvendt forårsager, at det ikke kontrollerede elektrisk drevne værktøj bliver tvunget i retningen modsat udstyrets rotation ved bindingspunktet. Eksempelvis hvis et slibehjul bliver klemt eller fanget af arbejdsområdet, kan det hjørne af hjulet, der går ind i klemningspunktet, grave sig ind i overfladen på materialet og kan forårsage, at hjulet kører opad eller slår bagud. Hjulet vil enten springe frem mod eller væk fra operatøren, afhængigt af hjulets bevægelse ved klemningspunktet. Slibehjul kan også knække under disse forhold. Tilbagefald er resultatet af misbrug og/eller ukorrekte arbejdsprocedurer eller forhold i forbindelse med betjening af det elektrisk drevne værktøj, og det kan undgås ved at tage korrekte forholdsregler som angivet nedenfor:

- a) Hold godt fast ved det elektrisk drevne værktøj og anbring din krop og arm, så du kan modstå tilbagefaldskræfter. Brug altid støttehåndtaget, hvis det findes, for maksimal kontrol over tilbagefald eller drejningsreaktion under opstart. Operatøren kan kontrollere drejningsreaktioner eller tilbagefaldskræfter, hvis der tages korrekte forholdsregler.
- b) Anbring aldrig din hånd tæt ved roterende udstyr. Udstyr kan få tilbagefald over din hånd.
- c) Anbring ikke din krop i det område, hvor det elektrisk drevne værktøj vil bevæge sig, hvis der opstår tilbagefald. Tilbagefald vil drive værktøjet i retningen modsat hjulets bevægelse ved det punkt, det hænger fast.
- d) Udvis speciel omhu, når der arbejdes med hjørner, skarpe kanter osv. Undgå at udstyret hopper og snapper. Hjørner, skarpe kanter eller hopning har en tendens til at få det roterende udstyr til at hænge fast og forårsage tab af kontrol og tilbagefald.

- e) Tilføj ikke et savkæde træskærerblad eller tandet savblad. Sådanne blade giver hyppigt tilbagefald og tab af kontrol.

### Særliges sikkerhedsforanstaltninger

- Kontrollér, at det maksimale omdrejningstal, der er angivet på slibeskiven, stemmer overens med maskinens maksimale omdrejningstal. Maskinens omdrejningstal må ikke være højere end den på slibeskiven angivne værdi.
- Vær opmærksom på, at slibeskivens mål stemmer overens med maskinens specifikationer.
- Vær opmærksom på, at slibeskiven er monteret rigtigt og ordentligt spændt fast. Brug ikke reduktionsringe eller adaptere for at få en slibeskive til at passe.
- Brug og opbevar slibeskiver i henhold til leverandørens anvisninger.
- Brug ikke maskinen til gennemslibning af arbejdsområder med en tykkelse, der er større end skæreskivens maksimale slibedybde.
- Brug ikke skæreskiver til afgratning.
- Ved anvendelse af slibeskiver, der fastspændes på spindlens gevind, skal der sørges for at spindlen har et tilstrækkeligt stort gevind. Forvis dig om, at spindlen er godt afskærmet og ikke kan komme i kontakt med slibeoverfladen.
- Inden anvendelse skal slibeskiven kontrolleres for eventuelle skader. Brug ikke revne eller brudte slibeskiver eller sådanne skiver, der på anden måde er beskadiget.
- Lad maskinen køre ubelastet i 30 sekunder inden brug. Sluk øjeblikkeligt for maskinen, når den begynder at vibrere for meget eller når der opstår en anden defekt. Kontrollér maskinen og slibeskiven omhyggeligt, før du igen tænder for maskinen.
- Sørg for, at den eventuelle gnistregn fra slibeskiven ikke er til fare for mennesker og at den ikke kommer i kontakt med letantændelige stoffer.
- Sørg for, at arbejdsområdet understøttes tilstrækkeligt eller at det klemmes ind. Hold hænderne væk fra slibeoverfladen.
- Bær altid sikkerhedsbriller og høreværn. Brug om ønsket eller om nødvendigt andre beskyttelsesmidler såsom et forklæde eller en hjelm.

- Kontrollér, at hjul og punkter er monteret i overensstemmelse med producentens anvisninger.
- Kontrollér, at der bruges filtre, når de leveres med den bundne slibeskive, og når det er påkrævet.
- Hvis værktøjet leveres med afskærmning, må det ikke benyttes uden brug af denne afskærmning.
- Ved anvendelse af værktøjer, der skal påmonteres gevindskårne hjul, skal det kontrolleres, at gevindet i hjulet er langt nok til spindlen.
- Pass på at ventilationsåpningene ikke blokkeres når værktøjet bruges på steder med mye støv. Hvis værktøjet må rengjøres for støv, må værktøjet først kobles fra strømnettet. Ikke bruk metalliske objekter til å rengjøre værktøyet, og unngå å skade interne deler.
- Hvis strømnettet er i dårlig forfatning, kan det oppstå kortvarige spenningsfall når vinkelsliperen startes. Dette kan virke inn på annet utstyr (for eksempel kan lamper blinke). Hvis nettimpedansen er mindre enn 0,348 ohm, skal det vanligvis ikke oppstå slike forstyrrelser. (Hør med din lokale forhandler hvis du har behov for mer informasjon).

Maskinen skal øjeblikkelig slukkes i til fælde af:

- Defekt netstik, netledning eller beskadigelse af ledning.
- Defekt kontakt.
- Gnistdannelse i kullene eller ringild i kollektoren.
- Røg eller lugt fra sveden isolering.

### Elektrisk sikkerhed

Når man anvender elektriske maskiner, skal de gældende lokale forskrifter altid følges for at reducere risikoen for brand, elektrisk stød og personskader. Læs sikkerhedsforskrifterne nedenfor.



*Kontroller altid, at strømforsyningen svarer til den spænding, der er angivet på typeskiltet.*



*Deres maskine er dobbeltisoleret; derfor er jordforbindelse ikke nødvendig.*

### Udskiftning af kabler og stik

Det er farligt at sætte stikket på et løst kabel i stikkontakten.

### Brug af forlængerledninger

Brug kun godkendte forlængerledninger, som passer til maskinens indgangseffekt. Mindste ledertykkelse er 1,5 mm<sup>2</sup>. Hvis der anvendes en kabeltromle, skal kablet altid rulles helt ud.

## 3. MONTERING



*Stikket skal altid trækkes ud før montering af tilbehør.*

### Montering af håndtaget

#### Fig. 2

Håndtaget passer til både højrehåndet og venstrehåndet brug.

- Monter håndtaget således, at hullerne passer over skruehullerne på maskinen.
- Sæt håndtaget på med bolte og sekskantnøgle, og stram til.

### Montering af tilbehør

#### Fig. 3

- Tryk på spindellåsen
- Skru holderen på spindlen, og spænd til
- Tryk spindellåsen ned
- Monter polerpuden (4) på pudeholderen (5).

### Tilbehør

#### Fig. 4

#### Polerpude (3)

Anvendes til højglanspolering og voksning.

#### Uldpolerpude (4)

Anvendes til højglansfinish.

### Udskiftning af kulbørsterne

Når den røde lampe lyser, er kulbørsterne slidt. Begge børster skal udskiftes samtidig.

- Fjern de 6 skruer.
- Frigør håndtager fra kabinettet.
- Fjern den fjeder, der holder kulbørsten på plads.
- Skub kulbørsten ud.
- Tag kulbørstekonnektoren af.
- Tilslut den nye kulbørstekonnektor.
- Skub kulbørsten ind i holderen.
- Fastgør kulbørsten med fjederen.
- Genta trin 3 til 8 for den anden kulbørste.

- Sæt håndtaget på igen, og tilspænd de 6 skruer til.

## 4. ANVENDELSE



*Følg altid sikkerhedsforskrifterne, og overhold de relevante bestemmelser.*

- Maskinen må ikke være i berøring med emnet, når den tændes og slukkes.
- Sluk altid først maskinen efter brug, gør stikket tages ud af stikdåsen.

### Hastighedsregulering

Fig. 5

Slibeslivens hastighed kan reguleres ved hjælp af drejeknappen oven på håndtaget. Jo højere knapstilling, desto højere hastighed. Start ikke i høj hastighed, når der skal påsmøres voks og poleres.

### Ind/udkobling

Fig. 6

- Denne maskine er udstyret med en sikkerhedsafbryder.
- Maskinen startes ved at trykke på knappen "udlås" (for at udløse afbryderen) og starte maskinen.

### Slukning

Slip kontakten.



*Sliberen vil fortsætte med at køre, efter at der er slukket for den.*

Læg først maskinen, når motoren er stoppet helt. Læg ikke maskinen på en støvet overflade. Støvparklerne kan trænge ind i maskinen.



*Brug aldrig spindelknappen til at stoppe motoren.*

## 5. SERVICE & VEDLIGEHOLDELSE



*Kontroller, at maskinen ikke er tilsluttet, når der udføres vedligeholdelsesarbejde på motoren.*

Denne maskine er konstrueret således, at den kan fungere længe med et minimum af vedligeholdelse.



*Reparationer og service må kun udføres af en kvalificeret tekniker eller servicevirksomhed.*

### Rengøring

Ventilationsrillerne skal holdes rene for at forhindre, at maskinen overophedes. Maskinens kabinet skal jævnlige renses med en blød klud, helst efter hver brug. Hold ventilationsrillerne fri for støv og snavs. Hvis snavset ikke vil gå af, anvendes en blød klud fugtet med sæbevand. Anvend aldrig opløsningsmidler som benzin, sprit, salmiakspiritus etc. Disse opløsningsmidler kan beskadige plasticdelene.

### Fejl

Skulle der opstå en fejl, f. eks. ved nedslidning af en del, skal du kontakte serviceadressen på garantikortet. I slutningen af denne vejledning findes et udvidet afsnit, der viser hvilke dele der kan bestilles.

## MILJØ

For at forhindre, at maskinen beskadiges under transport leveres den i en solid emballage, der fortrinsvis består af genanvendeligt materiale. De bedes derfor udnytte mulighederne for, at emballagen genbruges.



*Defekt og/eller kasseret elektriske eller elektronisk udstyr skal indsamles og afleveres til en genbrugsstation.*

### Kun for EU-lande

Smid ikke el-værktøjer ud sammen med almindeligt affald. I henhold til de europæiske direktiver 2012/19/EU for elektrisk og elektronisk udstyr og er implementeret i henhold til nationale rettigheder, el-værktøj som ikke længere er anvendelig skal indsamles separat og genbruges på en miljøvenlig måde.

## GARANTI

Garantibetingelserne er anført på det medfølgende separate garantikort.

**Produktet og brugermanualen kan ændres. Specifikationerne kan ændres uden forudgående varsel.**

## SAROKPOLÍROZÓ 1400W - 180MM

### Köszönjük, hogy a Ferm Vállalat termékét választotta.

Egy kiváló európai forgalmazó nagyszerű termékének birtokába jutott.

A Ferm által forgalmazott összes termék a legszigorúbb teljesítményeknek megfelelő biztonsági szabvány szerint készül. Üzleti filozófiánk része alapul teljes körű minőségi ügyfélszolgálat. Reméljük, hogy termékünket hosszú éveken át nagy megalégedettséggel fogja használni.

### A szövegben levő számok a 2-3. oldalakon levő ábrákra vonatkoznak.



*A készülék használatba vétele előtt figyelmesen olvassa el a használati utasítást. Ismerkedjen meg a készülék funkciójával és a készülék kezelésével. A készülék akkor fog megfelelően működni, ha azt a használati utasítás előírásai szerint használja. A használati utasítást és az egyéb dokumentációkat a készülékkel együtt tárolja.*

### Tartalom

1. A gép adatai
2. Biztonsági utasítások
3. Összeszerelés
4. Használat
5. Gondozás és karbantartás

### Bevezetés

Az eszközzel csak polírozás és a finom-csiszolás végezhető, az eszközt más célra használni szigorúan tilos.

## 1. A GÉP ADATAI

### Műszaki specifikáció

Feszültség	230-240 V~
Frekvencia	50 Hz
Teljesítmény	1400 W
Terheletlen fordulatszám	1000-3300/min
Korong átmérő	180 mm
Tengely mérete	M 14
Súly	3.3 kg
L <sub>pa</sub> (hangnyomásszint)	86+3 dB(A)
L <sub>wa</sub> (hangteljesítményszint)	97+3 dB(A)
Vibráció	3.51+1.5 m/s <sup>2</sup>

### Rezgésszint

Az ezen felhasználói kézikönyv végén megadott rezgés-kibocsátási szint mérése az EN 60745 szabványban meghatározott szabványosított teszttel összhangban történt; ez egy eszköznek egy másik eszközzel történő összehasonlítására, illetve a rezgésnek való kitettség előzetes felmérésére használható fel az eszköznek az említett alkalmazásokra történő felhasználása során.

- az eszköznek eltérő alkalmazásokra, vagy eltérő, illetve rosszul karbantartott tartozékokkal történő felhasználása jelentősen emelheti a kitettség szintjét.
- az idő, amikor az eszköz ki van kapcsolva, vagy amikor ugyan működik, de ténylegesen nem végez munkát, jelentősen csökkentheti a kitettség szintjét.

Az eszköz és tartozékai karbantartásával, kezének melegen tartásával, és munkavégzésének megszervezésével védje meg magát a rezgések hatásaitól.

### Jellemzők

#### 1. Ábra

1. Ki- és bekapcsoló
2. Sebesség-szabályozó
3. U-alakú fogantyú
4. Tartótokmányt
5. Tengely-zár
6. Kapcsoló-zár

## 2. BIZTONSÁGI UTASÍTÁSOK

### A jelölések magyarázatai



*A jelen használati utasításban leírtak be nem tartása esetén sérülés, életveszély, és gépsérülés következhet be.*



*Áramütés veszélye.*



*A nyak blokkolását csupán nyugalmi üzemmódban használja.*



*Az illetéktelen személyeket tartsa távol a munkahelytől.*





Használjon védőszemüveget és hallásvédő eszközt.



Használjon védőkesztyűt.



Variable speed control

### Közös biztonsági utasítások csiszolóshoz, drótkefe használathoz és polírozáshoz:

- a. Az elektromos szerszám rendeltetése csiszológép, drótkefe és polírozó. Olvassa el az összes biztonsági utasítást és az elektromos szerszámhoz mellékelte illusztrációkat és specifikációkat. A lejjebb felsorolt utasítások ignorálása elektromos áramütéshez, tüzesettséghez és/vagy súlyos balesettséghez vezethet.
- b. Az elektromos szerszámmal nem szabad olyan tevékenységet folytatni, amelyre azt nem terveztük, pl. nem szabad vele köszörülni és vágni. Az elektromos szerszám rendeltetésétől eltérő használata veszélyes, az balesetet okozhat.
- c) Csak az elektromos kéziszerszám gyártója által készített vagy ajánlott betétszámokat használjon. Ha egy betétszám rá is szerelhető az elektromos kéziszerszámra, még nem jelent garanciát arra, hogy biztonságosan fog működni.
- d) A betétszám névleges fordulatszámának legalább egyenlőnek kell lennie az elektromos kéziszerszámon feltüntetett legnagyobb fordulatszámmal. A névleges fordulatszámunknál gyorsabban forgó betétszámok eltörhetnek és elrepülhetnek.
- e) A betétszám külső átmérőjének és vastagságának az elektromos kéziszerszám névleges befogadó méreteinek határain belül kell lennie. A helytelenül megválasztott méretű betétszámokat nem lehet kellő ellenőrzés és irányítás alatt tartani.
- f) Olyan méretű korongokat, befogóperemeket, csiszolólapokat vagy egyéb betétszámokat válasszon, amelyek pontosan ráilleszthetők az elektromos kéziszerszám tengelyére. Olyan betétszámok használata, amelyek illesztőnyílásai nem illeszkednek pontosan az elektromos kéziszerszám rögzítőelemeihez, kiegyensúlyozatlanul, túl nagy vibrációt kelte

fognak működni, és a kezelő elvesztheti az elektromos kéziszerszám feletti uralmát.

- g) Sérült betétszámot ne használjon. Minden egyes használat előtt vizsgálja át a betétszámot, pl. hogy nincs-e forgács vagy repedés a csiszolókorongon, nincs-e repedés a csiszolólapon, ellenőrizze, mennyire van elhasználódva, nem kopott-e le túlságosan, nincsenek-e kilazult vagy törött drótszálok a drótkéfén. Ha az elektromos kéziszerszám vagy betétszám leesett, ellenőrizze, nem sérült-e meg, vagy szereljen fel egy sértetlen betétszámot. Miután ellenőrizte és felszerelte a betétszámot, ön és a közelben lévő személyek helyezkedjenek a betétszám forgási síkjától távolabbra, majd járassa az elektromos kéziszerszámot egy percig a terhelés nélküli maximális fordulatszámra. A sérült betétszámok általában el is törnek próba közben.
- h) Viseljen védőfelszerelést. A munka jellegétől függően arcvédőt, védőszemüveget vagy biztonsági szemüveget viseljen. Ha indokolt, viseljen porvédő maszkot, fülvédőt, kesztyűt és olyan védőköpenyt, amely képes felfogni a munkadarab elrepülő részecskéit. Szemének védelmére olyan védőeszközt használjon, amely képes felfogni a különféle munkaműveletek során képződő és a levegőben szálló törmelék. A porvédő maszknak vagy légzésvédőnek képesnek kell lennie a munkaművelet során elszabaduló anyagrézsecskék kiszűrésére. Az erős zaj hosszabb idő alatt halláskárosodást okozhat.
- i) A közelben lévő személyeket tartsa a munkaterületétől biztonságos távolságra. Mindenkinek személyi védőfelszerelést kell viselnie, aki a munkaterületre belép. A munkadarabról vagy sérült betétszámáról elszabaduló anyagrézsecskék a közvetlen munkaterületen kívül is okozhatnak személyi sérülést.
- j) Ha olyan munkát végez, amely során az elektromos kéziszerszám rejtett vezetékhez vagy a saját tápkábeléhez érhet, csak a szigetelt fogantyúfelületénél megmarkolva tartsa az elektromos kéziszerszámot. Ha a vágószerszám feszültség alatti vezetékhez ér, az elektromos kéziszerszám fémrészei is áram alá kerülhetnek, és a kezelő áramütést szenvedhet.

- k) Az elektromos kéziszerszám tápkábelét tartsa távol a betétszerszám forgó tengelyétől. Ha elveszti az elektromos kéziszerszám feletti uralmát, előfordulhat, hogy a kábelt átvágja vagy az elakad, és a forgó betétszerszám behúzhatja a kezét vagy a karját.
- l) Addig soha ne tegye le az elektromos kéziszerszámot, amíg a betétszerszám teljesen le nem állt. A forgó betétszerszám beleakadhat a felületbe, és ön elveszítheti az elektromos kéziszerszám feletti uralmát.
- m) Ne járassa az elektromos kéziszerszámot addig, amíg az oldala mellett tartja. Ha véletlenül érintkezésbe kerül a forgó betétszerszámmal, az beakadhat a ruházatába, és a testébe hatolhat.
- n) Rendszeresen tisztítsa az elektromos kéziszerszám szellőzőnyílásait. A motor ventilátora a port a készülékház belsejébe szívja, és ha túl sok fémpor halmozódik fel benne, elektromos veszély állhat fenn.
- o) Gyűlékony anyagok közelében ne működtesse az elektromos kéziszerszámot. A szikráktól ezek az anyagok tüzet foghatnak.
- p) Hűtőfolyadékot igénylő betétszerszámokat ne használjon. Víz vagy más hűtőfolyadék használata áramütést okozhat.
- a) Szilárdan megmarkolva tartsa az elektromos kéziszerszámot, testével és karjával úgy helyezkedjen, hogy ellenállhasson a visszarúgás erejének. Ha van az elektromos kéziszerszámon pótfogantyú, mindig használja, hogy a visszarúgást és az indításkor fellépő nyomatékreakciót uralni tudja. Megfelelő elővigyázatossági intézkedések mellett a kezelő képes arra, hogy uralma alatt tartsa a reakciós nyomatékot és visszarúgó erőt.
- b) Kezét soha ne tegye a forgó betétszerszám közelébe. A betétszerszám visszarúgása megütheti a kezét.
- c) Olyan távolságban helyezkedjen el, ahol a visszarúgástól elmozduló elektromos kéziszerszám már nem érheti el. A visszarúgás az elektromos kéziszerszámot a korong elakadásponthoz mozgásának irányával ellentétes irányba löki.
- d) Sarkokban, éles peremeken stb. különös gondossággal végezze a munkát. Kerülje el, hogy az elektromos kéziszerszám a munkafelületről lepattanjon vagy abban elakadjon. A sarkok, éles peremek vagy az elektromos kéziszerszám lepattanása általában a forgó betétszerszám elakadását és azáltal az elektromos kéziszerszám feletti uralom elvesztését vagy az elektromos kéziszerszám visszarúgását okozzák.
- e) Ne szereljen az elektromos kéziszerszámra favágó korongot vagy fogazott fűrészkorongot. Ilyen korongok használatánál gyakori az elektromos kéziszerszám visszarúgása és az elektromos kéziszerszám feletti uralom elvesztése.

### **Az elektromos kéziszerszám visszarúgásával kapcsolatos figyelmeztetések**

A visszarúgás hirtelen reakció, a beékelődött vagy elakadt forgó korong, csiszolólap, kefe vagy más betétszerszám okozza.

Beékelődésnél vagy elakadásnál a forgó betétszerszám hirtelen megtorpan, ami az irányítatlan elektromos kéziszerszámot a betétszerszám beszorulási pontjánál fennálló forgási iránnyal ellentétes irányba kényszeríti.

Ha például a csiszolókorong a munkadarabban elakad vagy beékelődik, a korong beékelődési pontba hatoló pereme belefűrődhet az anyag felületébe, aminek következtében a korong kimozdulhat vagy kiugorhat.

A korong a kezelő irányába vagy azzal ellentétes irányba ugorhat attól függően, hogy a beékelődési pontnál melyik irányban mozog. Ilyen körülmények között a csiszolókorong el is törhet.

A visszarúgást az elektromos kéziszerszám nem rendeltetésszerű használata és/vagy helytelen kezelése valamint azok a körülmények okozzák, amelyek az alább megadott elővigyázatossági intézkedésekkel kiküszöbölhetők.

### **Speciális biztonsági irányelvek**

- Ellenőrizze, hogy a csiszolókorongon feltüntetett maximumsebesség megfelel-e a gép maximumsebességének! A gép sebessége nem lehet nagyobb, mint a csiszolókorongon feltüntetett érték.
- Mindig ügyeljen arra, hogy a csiszolókorong mérete a gép specifikációjának megfelelő legyen!
- Ellenőrizze, hogy a csiszolókorong elhelyezése és rögzítése megfelelően történt-e! Soha ne próbálja szikítógyűrivel vagy egyéb illesztődarabbal biztosítani a korong megfelelő illeszkedését!



- A csiszolókorongokat mindig a gyártó cég utasításainak megfelelően kezelje és tárolja!
- Ne használja a gépet olyan munkadarabok csiszolására, melyek maximális vastagsága meghaladja a csiszolókorong maximális csiszolási mélységét!
- Ne használja a csiszolókorongokat sorjázásra!
- Mielőtt a csiszolókorongot felhelyezné az orsó menetére, ellenőrizze, hogy az orsón megfelelő nagyságú menet van-e! Ugyancsak ügyeljen arra, hogy az orsó megfelelően védett legyen, s hogy ne érintkezzen a csiszolófelülettel!
- Használat előtt mindig ellenőrizze, hogy a csiszolókorong nem sérült-e! Soha ne használjon repedt, vagy más módon sérült csiszolókorongot!
- Használat előtt járassa a gépet 30 másodpercig üresjáratban! Amennyiben bármilyen abnormális rezgést vagy egyéb rendellenességet észlel, azonnal kapcsolja ki a gépet! Újrabekapcsolás előtt gondosan ellenőrizze a gépet és a csiszolókorongot!
- Ügyeljen arra, hogy a kipattanó szikrák a testi épséget ne veszélyeztessék, s hogy semmiképpen se kerüljenek kapcsolatba erősen gyúlékony anyagokkal!
- Győződjön meg róla, hogy munkadarab megfelelően alátámasztott illetve rögzített-e! Ne tartsa kezét a megmunkált felület közelében!
- Mindig viseljen védőszemüveget és fülvédőt! Szükség esetén használjon más védőeszközöket, például kötényt vagy sisakot!
- Ügyeljünk arra, hogy a tárcsák és csúcsok pontosan a gyártó cég útmutatója szerint legyenek felszerelve.
- Ha a ragasztott csiszolótárcsát itatós párnával szállítják, akkor azt feltétlenül használjuk is vele.
- Ha a szerszámot védőeszközzel szállítják, soha ne használjuk azt anélkül.
- Ha menetes furatú tárcsát használunk mindig ellenőrizzük, hogy abban a menet elég hosszú-e hogy az orsóra rögzítsük.
- Poros körülmények között a gép szellőzőnyílásait gyakorta ellenőrizzük. Ha szükségessé válik a gépet leporolni, mindenképp előtt a gép csatlakozóját húzzuk ki a konnektorból. A belső részek sérülésének elkerülése végett a tisztításhoz ne használjunk fémeszközöket.
- A gép indításakor a hálózati feszültség rövid időre leeshet. Ez más elektromos eszközök működését is zavarhatja (pl. a lámpák fénye elhalványul). Ha a hálózat Zmax impedanciája 0.348 Ohmnál kisebb, akkor ilyen hálózati zavarra nem kell számítani. (Szükség esetén további információért a helyi elektromos felügyelethez kell fordulni).

A gépet azonnal kapcsolja ki, ha:

- A szénkefék túlságosan szikráznak ill. tűz keletkezne a kollektorban.
- Zárlat vagy meghibásodás esetén a vezetékben, a csatlakozó dugóban vagy hálózatban.
- A kapcsoló meghibásodása esetén.
- A megperzselődött szigetelés büzik vagy füstöl.

### Elektromos biztonság

Elektromos gépek használata során mindig tartsa be az országban érvényes munkavédelmi előírásokat, hogy csökkentse a tűz, az elektromos áramütés és a személyes sérülések kockázatait. Olvassa el a következő biztonsági utasításokat és a géphez tartozó biztonsági utasításokat is.



*Mindig ellenőrizze, hogy a hálózat feszültsége megfelel-e a gép adattáblájának.*



*Az Ön gépe kettős szigeteléssel rendelkezik; ezért nincs szükség a földelésére.*

### Kábelek és csatlakozók cseréje.

Azonnal dobja ki a régi kábeleket és csatlakozókat, miután azokat kicserélte újakra. A lötyögő (sérült) kábel csatlakoztatása a konnektorhoz veszélyes.

### Hosszabbító használata

Csak jóváhagyott, a gép teljesítményének megfelelő hosszabbítót használjon. A kábel minimális keresztmetszete: 1,5 mm<sup>2</sup>. Ha kábeldobot használ, akkor mindig tekerje le a teljes vezetékét a dobról.

### 3. ÖSSZESZERELÉS



*A tartozék felszerelése előtt mindig húzza ki a gépet a konnektorból.*

#### A fogantyú felszerelése

##### 2. Ábra

A fogantyú alkalmas mind a bal-, mind a jobboldali használatra.

- Szerelje fel a fogantyút úgy, hogy a nyílások essenek egybe a gépen található csavar-nyílásokkal.
- Szorítsa meg a fogantyút a csavarok és az imbuszkulcs segítségével.

#### Nyomja meg a tengely-zárat.

##### 3. Ábra

- Nyomja meg a tengely-zárat.
- Csavarja rá és szorítsa meg a tartótokmányt a tengelyre.
- Zárja a tengely-zárat.
- Szerelje fel a polírozó-tokmányt (4) a tartótokmányra (5).

#### Tartozékok

##### 4. Ábra

#### Polírozó-tokmány (3)

A mikroszálás-tokmánnyal együtt fényezésre és viasz felvitelére használjuk.

#### Gyapjú polírozó-tokmány (4)

Ezt a fényes fedőrétegeknél használjuk.

### 4. HASZNÁLAT



*Mindig tartsa be a biztonsági utasításokat és az alkalmazandó előírásokat.*

- Tartsa a gépet távol a munkadarabtól a gép ki-és bekapcsolásakor.
- Mindig kapcsolja ki a gépet, mielőtt annak kábelét kihúzza a csatlakozóból.

#### Sebesség-vezérlés

##### 5. Ábra

A korong sebessége változtatható a fogantyún elhelyezkedő csavaros-gomb segítségével. Minél feljebb van a gomb, annál nagyobb a sebesség. Ha viaszot visz fel illetve políroz, akkor ne használjon magas fordulatszámot ezen műveletek elején.

#### Be- és kikapcsolás

##### 6. Ábra

- A gép el van látva egy biztonsági kapcsolóval.
- Indítsa be a gépet a "lock-off" gomb benyomásával (ez a kapcsolót leblokkolja), majd kapcsolja be a gépet.

#### Kikapcsolás

Engedje el a kapcsolót.



*A csiszoló a gép kikapcsolása után is forogni fog.*

Csak akkor tegye le a gépet, ha a motor teljesen megállt. Ne tegye a gépet poros felületre. A por bejuthat a gép belsejébe



*Soha ne használja az tengely-kulcsot a motor forgásának megállításához.*

### 5. GONDOZÁS ÉS KARBANTARTÁS



*Győződjön meg arról, hogy a gép le van választva az elektromos hálózatról, ha a motort tartja karban.*

A gépet úgy terveztük, hogy minimális karbantartással lehessen hosszabb ideig használni. A folyamatos megfelelő működés előfeltétele a gép megfelelő gondozása és rendszeres takarítása.



*A javításokat és a szervizelést csak az arra képzett szakember vagy cég végezheti el.*

#### Takarítás

Tartsa a gép szellőző nyílásait szabadon, hogy megelőzze a gép túlmelegedését. Rendszeren takarítsa a szerszám burkolatát egy puha ruhával, lehetőség szerint minden egyes használat után. Tartsa a szellőzőnyílásokat tisztán és pormentesen. Ha a szennyeződés nem jön le a puha ruha segítségével, akkor nedvesítse meg a ruhát szappanos vízzel. Soha ne használjon oldószert, mint például benzint, alkoholt, ammóniaoldatot, stb. Ezek az oldószerek károsíthatják a műanyag alkatrészeket.

**Hibák**

Hiba esetén, pl. egy alkatrész elkopásakor, lépjen kapcsolatba a szervizzel, amelynek címe megtalálható a garancián. Az útmutató hátoldalán láthatja azokat az alkatrészeket, amelyeket után lehet rendelni.

**KÖRNYEZETVÉDELLEM**

A szállítás közbeni sérülések megelőzésére az eszköz szilárd csomagolással rendelkezik, amely többségében újrahasznosítható anyagból áll. Ezért azokat szelektálja, és a gyűjtőszigetek segítségével adja le újrahasznosításra, és ne dobja azokat a szemétkbe.



*A hibás és/vagy leselejtezett elektromos eszközöket és berendezéseket a helyi szabályoknak megfelelően kialakított szelektív gyűjtőhelyeken adja le.*

**Csak az Európai Közösség országaiban**

Az elektromos eszközöket ne dobja a háztartási hulladékok közé. Az 2012/19/EU Európai Irányelv - Elektromos és elektronikus berendezések hulladékai - és ennek nemzeti szabályozása alapján, azokat az elektromos eszközöket, melyek többé már nem használhatóak, külön kell összegyűjteni, és környezetbarát módon kell megszabadulni tőlük.

**GARANCIA**

A garancia feltételei megtalálható a csomagban található garanciajegyben.

**ÚHLOVÁ LEŠTIČKA 1400W - 180MM****Děkujeme vám za zakoupení tohoto produktu společnosti Ferm.**

Získali jste výborný produkt od předního evropského distributora.

Všechny produkty dodávané společností Ferm se vyrábějí podle nejpřísnějších výkonnostních a bezpečnostních norem. Součástí naší obchodní filozofie je poskytování kvalitního zákaznického servisu na základě komplexní záruky.

Věříme, že vám tento produkt bude k plné spokojenosti sloužit řadu let.

**Čísla v textu se odvolávají na diagramy na strani 2**

*Pro vaši vlastní bezpečnost a pro bezpečnost ostatních vám doporučujeme, aby jste si před požitím pily pozorně přečetli tento návod k použití. Tento návod k použití a dokumentaci k pile si odložte pro pozdější použití.*

**Obsah**

1. Technické údaje
2. Bezpečnostní pokyny
3. Sestavení
4. Použití
5. Servis a údržba

**Úvod**

Jakékoliv jiné použití než leštění a lehké broušení je přísně zakázáno.

**1. TECHNICKÉ ÚDAJE****Technická specifikace**

Napájecí napětí	230-240 V~
Frekvence	50 Hz
Příkon	1400 W
Otáčky naprázdno	1000-3300/min
Průměr kotouče	180 mm
Závit vřetena	M 14
Hmotnost	3.3 kg
Lpa (akustický tlak)	86+3 dB(A)
Lwa (Akustický výkon)	97+3 dB(A)
Hodnota vibrací	3.51+1.5 m/s <sup>2</sup>

### Úroveň vibrací

Úroveň vibrací uvedená na zadní straně tohoto manuálu s pokyny byla měřena v souladu se standardizovaným testem podle EN 60745; je možné ji použít ke srovnání jednoho přístroje s druhým a jako předběžné posouzení vystavování se vibracím při používání přístroje k uvedeným aplikacím.

- používání přístroje k jiným aplikacím nebo s jiným či špatně udržovaným příslušenstvím může zásadně zvýšit úroveň vystavení se vibracím.
- doba, kdy je přístroj vypnutý nebo kdy běží, ale ve skutečnosti není využíván, může zásadně snížit úroveň vystavení se vibracím.

Chraňte se před následky vibrací tak, že budete dbát na údržbu přístroje a příslušenství, budete si udržovat teplé ruce a uspořádáte si své pracovní postupy.

### Popis

#### Obr. 1

1. Hlavní spínač
2. Regulace otáček
3. Rukojeť ve tvaru U
4. Držák kotouče
5. Zajištění vřetena
6. Zajištění spínače

## 2. BEZPEČNOSTNÍ POKYNY

### Vysvětlení symbolů



*Označuje riziko osobního zranění, ztráty života nebo poškození nástroje v případě nedodržení pokynů v tomto návodu.*



*Označuje nebezpečí elektrického šoku.*



*Zablokování hřídele používejte pouze v klidovém režimu.*



*Udržujte okolo stojící osoby v dostatečné vzdálenosti.*



*Noste bezpečnostní brýle a ušní ochranu.*



*Noste ochranné rukavice.*



*Rychlost otáčení stroje lze elektronicky regulovat.*

### Bezpečnostní pokyny společné pro broušení, broušení drátěným kartáčem nebo leštění:

- a) Toto elektrické nářadí určeno pro použití jako bruska, bruska s drátěným kartáčem nebo leštička. Přečtěte si a řádně nastudujte všechny bezpečnostní výstrahy, pokyny, ilustrace a technické údaje, které jsou dodávány s tímto elektrickým nářadím. Nedodržení všech níže uvedených pokynů může vést k úrazu způsobenému elektrickým proudem, k požáru nebo k vážnému zranění.
- b) Pracovní operace, jako jsou rozbrušování nebo odřezávání, nejsou pro toto elektrické nářadí doporučeny. Pracovní operace, pro které není toto elektrické nářadí určeno, mohou vytvářet nebezpečné situace vedoucí k zranění osob.
- c) Nepoužívejte příslušenství, které není výslovně určeno nebo doporučeno výrobcem pro použití s vaším nářadím. I když je možné příslušenství upevnit k vašemu nářadí, neznamená to, že bude používání takového příslušenství bezpečné.
- d) Povolená rychlost/otáčky příslušenství, musí být alespoň shodná s maximální rychlostí/otáčkami vyznačených na nářadí. Při použití příslušenství s menší maximální povolenou rychlostí může dojít k roztržení nástroje a poranění obsluhující osoby.
- e) Venkovní průměr a šířka použitého nástroje nebo příslušenství musí být v rozmezí hodnot vašeho nářadí. Příslušenství s nesprávnou velikostí nemůže být správně ovládáno nebo kontrolováno.
- f) Pracovní průměr, příruba, okraje ostří, plochy vedení nástrojů nebo upínací plochy nástrojů a příslušenství musí dokonale zapadnout do vřetena vašeho nářadí. Použití příslušenství s upínacími otvory, které nedoléhají přesně na upínací otvory a dorazy vašeho nářadí může způsobit, že nástroj nebude správně upevněn a může začít vibrovat a tím způsobit neovladatelnost nářadí.
- g) Nikdy nepoužívejte poškozené nástroje a příslušenství. Před použitím zkontrolujte příslušenství a nástroje. Ujistěte se zda nejsou

poškozené, prasklé nebo odštípnuté brusné kotouče, prasklé upevňovací podložky nebo zda nejsou kotouče příliš opotřebené. Také zkontrolujte drátěné kartáče. Ujistěte se, že drátky nejsou polámané nebo jinak poškozené. Pokud došlo k pádu nástroje nebo nářadí, zkontrolujte zda není poškozené nářadí, nástroj nebo příslušenství. Po úspěšné kontrole nářadí a příslušenství můžete začít s prací. Postavte se tak, aby osoby, které se mohou nacházet ve vaší blízkosti nebyly v rovině otáčení kotouče nebo řezu. Spusťte nářadí a nechejte je volně běžet při maximální rychlosti po dobu asi jedné minuty. Pokud je nástroj nebo příslušenství poškozené, mělo by dojít k rozlomení nebo k odtržení nástroje během této testovací doby.

- h) Používejte pomůcky osobní ochrany. V závislosti na prováděné operaci použijte ochranný štít, nebo ochranné brýle. Pokud je to nutné použijte vhodnou prachovou masku, ochranu sluchu, ochranné rukavice a zástěru chránící proti odlétávajícím kouskům brusného kotouče. Ochrana zraku musí být dostatečná, aby spolehlivě ochránila váš zrak proti odlétajícím třískám, které vznikají při různých operacích. Prachová maska nebo respirátor musí být schopen filtrovat prach a částice, které vznikají při různých operacích. Dlouhodobé vystavování vysokému hluku může způsobit ztrátu sluchu.
- i) Nedovolte nepovolaným nebo přihlížejícím osobám aby se zdržovali v blízkosti pracovního místa. Dbejte aby osoby které mají přístup na pracoviště používaly ochranné pomůcky. Úlomky, odlétající kousky materiálu nebo příslušenství, mohou způsobit poranění osob, které se mohou nacházet i mimo pracovní prostor.
- j) Pokud provádíte řez materiálem nebo zdí, kde existuje nebezpečí, že se pod povrchem mohou nacházet kabely elektrického vedení, nebo pokud hrozí nebezpečí, že může dojít k přefezání napájecího kabelu, držte nářadí za izolované rukojeti. Řezání příslušenství, které přijde do kontaktu s kabelem nebo vedením pod proudem, může způsobit, že kovové součásti nářadí způsobí poranění obsluhy elektrickým proudem.
- k) Ujistěte se, že se napájecí kabel nenachází v blízkosti rotujících částí nářadí. Pokud ztratíte kontrolu nad nářadím může se stát, že poškodíte nebo přefíznete napájecí kabel.

Navíc nářadí se může vysmeknout z ruky a způsobit poranění obsluhující osoby.

- l) Nikdy neodkládejte nářadí dokud se rotující částí zcela nezastaví. Pilový kotouč nebo rotující částí mohou náhle zachytit povrch obrobku a nářadí se může vysmeknout z ruky.
- m) Během přenášení nářadí se ujistěte, že je kotouč v klidu. V opačném případě může dojít k zachycení oděvu rotujícími částmi a k poranění.
- n) Pravidelně čistěte odvětrávací otvory nářadí. Ventilátor motoru nasává vzduch s nečistotami do vnitřního prostoru nářadí. Vysoký obsah kovového prachu uvnitř nářadí může způsobit poranění elektrickým proudem.
- o) Nepoužívejte nářadí v blízkosti hořlavých materiálů. Může dojít ke vznícení odlétajícími jiskrami.
- p) Nepoužívejte příslušenství, které vyžaduje chladicí kapalinu. Používání chladících kapalin může způsobit úraz elektrickým proudem.

### **Zpětný ráz „zakousnutí kotouče” a bezpečnostní upozornění**

Zpětný ráz je reakce nářadí na typické „zakousnutí” rotujícího kotouče nebo jiného nástroje nebo použitého příslušenství. Zpětný ráz způsobí okamžitě zastavení rotujícího kotouče nebo jiného nástroje.

To může způsobit náhlé „vytržení” nářadí z rukou obsluhující osoby, v opačném směru otáčení kotouče nebo nástroje.

Například. Pokud dojde k zakousnutí brusného kotouče na povrchu obrobku, brusný kotouč se prudce zastaví a v místě zakousnutí dojde k vyhození kotouče směrem nahoru nebo ven od povrchu obrobku. Brusný kotouč může vyskočit směrem k obsluze nebo směrem od obsluhy. To závisí na směru a bodě ve kterém dojde k zakousnutí kotouče. V takovém případě se také může stát, že dojde k prasknutí nebo rozlomení brusného kotouče.

Zpětný ráz a zakousnutí je důsledkem nesprávného používání nářadí nebo důsledek nesprávného pracovního postupu nebo nevyhovujících pracovních podmínek. Dodržováním následujících pokynů můžete výskyt zpětného rázu omezit.

- a) Nářadí držte pevně a zaujměte postoj, který vám umožní odolat působení sil, které vznikají při zpětném rázu. Pokud je nářadí vybaveno pomocnou rukojetí, vždy ji použijte k uchopení

- nářadí, zejména během startu. V případě zakousnutí budete mít větší kontrolu nad nářadím. Obsluhující osoba může kontrolovat síly a nárůst kroutícího momentu během zakousnutí, pokud se řídí příslušnými pokyny.
- Ruce udržujte v bezpečné vzdálenosti od rotujících součástí. Při zakousnutí se může příslušenství nebo nástroj vysmeknout a způsobit poranění.
  - Snažte se zaujmout postoj a pozici tak, aby v případě zakousnutí nářadí bylo vaše tělo mimo dráhu pohybujícího se nářadí nebo mimo dráhu letu poškozeného kotouče nebo příslušenství. Zpětný ráz vymrští nářadí nebo nástroj v opačném směru otáčení kotouče v bodu zakousnutí.
  - Zvýšenou pozornost věnujte pokud pracujete v těžko dostupných místech, v rozích, na hranách atd. Nedotýkejte se povrchu dílce náhle. Dbejte na to, aby se pohyblivé části nářadí nedotýkaly obrobku. Rohy, ostré hrany nebo náhlé přitlačení kotouče může způsobit náhlé zakousnutí kotouče a ztrátu kontroly nad nářadím.
  - Nesnažte se použít pilový řetěz, vyřezávací kotouče nebo ozubené pilové kotouče. Takovéto typy pilových kotoučů způsobují časté zakousnutí kotouče a ztrátu kontroly nad nářadím.

### Speciální bezpečnostní směnice

- Zkontrolujte, zda maximální rychlost uvedená na brusném kotouči odpovídá maximální rychlosti přístroje. Rychlost přístroje nesmí přesáhnout hodnotu uvedenou na brusném kotouči.
- Zkontrolujte, zda jsou rozměry brusného kotouče v souladu s technickými údaji přístroje.
- Zkontrolujte, zda byl brusný kotouč správně nasazen a upevněn. K dosažení pevného nasazení kotouče nepoužívejte redukční kroužky či adaptéry.
- Zacházejte s brusnými kotouči podle pokynů dodavatele a v souladu s nimi je také skladujte.
- Přístroj nepoužívejte k broušení obrobků, jejichž maximální tloušťka je větší než maximální brusná hloubka brusného kotouče.
- Brusný kotouč nepoužívejte k odstraňování ostřin.
- Jestliže je třeba brusný kotouč nasadit na závit vřetena, zkontrolujte, zda vřeteno má dostatečný závit. Zkontrolujte, jestli je vřeteno dostatečně chráněno a nedotýká se broušeného povrchu.
- Před použitím zkontrolujte, jestli brusný kotouč není poškozen. Nepoužívejte poškozené brusné kotouče, ať už mají praskliny, trhliny nebo jsou poškozené jakýmkoli jiným způsobem.
- Před použitím nechte přístroj běžet v nezatíženém stavu po dobu třiceti sekund. Pokud docházelo k abnormálním vibracím anebo při výskytu jiné závady, okamžitě přístroj vypněte. Než pak přístroj znovu zapojíte, pečlivě ho přezkoušejte, a to včetně brusného kotouče.
- Dohlédněte na to, aby jiskry nikoho neohrožovaly a aby se nedostaly do styku s vysoce hořlavými látkami.
- Postarejte se o to, aby obrobky byly dostatečně podepřeny nebo upnuty. Nepřibližujte se rukama k řezné ploše.
- Vždy používejte bezpečnostní ochranné brýle a ochranu sluchu. Pokud je to nutné nebo žádoucí, používejte i jiné ochranné prostředky, jako například ochrannou zástěru nebo přilbu.
- Ujistěte se, že instalace kotoučů a nastavovací body odpovídají pokynům výrobce.
- Zabezpečte, že kotouče jsou upevněny pomocí těsnících vložek, jsou-li dodány s příloženým brusným výrobkem a jsou-li vyžadovány.
- Jelis přístrojem současně dodána ochrana, nikdy nepoužívejte přístroj bez této ochrany.
- U přístrojů vybavených kotoučem s vnitřním závitem se přesvědčete, že závit je dostatečně hluboký, aby se do něj vešla celá délka vřetena.
- Ujistěte se, že ventilační otvory jsou čisté při práci v prašném prostředí. Je-li nutné prach odstranit, odpojte nejprve přístroj od sítě (použijte nekovové předměty) a vyhněte se poškození vnitřních částí přístroje.
- Při kolísavém síťovém napojení se mohou objevit drobné výpadky napětí při startování přístroje. Tyto výpadky mohou ovlivnit i funkce dalších přístrojů (například může začít blikat lampa). Je-li impedance sítě v hodnotě  $Z_{max} < 0.348 \text{ Ohm}$ , takové výpadky se nedají očekávat. (V případě potřeby můžete kontaktovat vašeho místního dodavatele, aby vám sdělil další informace).

Okamžitě vypněte stroj jestliže se objeví:

- Nadměrné jiskření uhlíkových kartáčů v kolektoru.
- Porucha zástrčky hlavního el. přívodu, přívodního kabelu a nebo poškození přívodního kabelu.
- Vadný vypínač.
- Kouř nebo zápach ze spálené izolace.

### Elektrická bezpečnost

Používáte-li elektrické nářadí, vždy dodržujte platné bezpečnostní předpisy, abyste snížili riziko vzniku požáru, úrazu elektrickým proudem nebo jiného poranění. Přečtěte si následující bezpečnostní pokyny a také přiložené bezpečnostní pokyny. ]



*Vždy zkontrolujte, zda napájecí napětí v síti odpovídá napájecímu napětí, které je uvedeno na štítku nářadí.*



*Vaše nářadí je opatřeno dvojitou izolací. Proto není nutné použití zemního vodiče.*

### Výměna kabelů nebo zástrček

Staré nebo poškozené kabely a zástrčky po výměně ihned vyhodte. Připojování kabelu s poškozenou zástrčkou do zásuvky je velmi nebezpečné.

### Použití prodlužovacích kabelů

Používejte pouze schválený typ prodlužovacího kabelu, který odpovídá příkonu příslušného nářadí. Minimální průřez vodiče je 1,5 mm<sup>2</sup>. Používáte cívku s navinutým kabelem, vždy odviňte celý kabel.

## 3. SESTAVENÍ



*Před montáží příslušenství vždy odpojte napájecí kabel nářadí od síťové zásuvky.*

### Montáž rukojeti

#### Obr. 2

Rukojeť je vhodná pro praváky i leváky.

- Namontujte rukojeť tak, aby byly otvory v rukojeti srovnány s otvory pro šrouby na nářadí.
- Připevněte rukojeť pomocí šroubů a přitáhněte je dodaným klíčem.

### Montáž příslušenství

#### Obr. 3

- Stiskněte tlačítko zajištění vřetena
- Našroubujte na vřeteno držák kotouče a řádně jej přitáhněte
- Uvolněte zajištění vřetena
- Nasadte na držák kotouče (4) leštící kotouč (5).

### Příslušenství

#### Obr. 4

#### Leštící poduška (3)

Tato poduška se používá v kombinaci s textilním kotoučem pro leštění s vysokým leskem a voskování.

#### Vlněná leštící poduška (4)

Tento přípravek se používá k dosažení vysokého lesku.

## 4. POUŽITÍ



*Vždy dodržujte bezpečnostní pokyny a platné předpisy.*

- Při vypínání a zapínání držte nářadí mimo obrobek.
- Před odpojením napájecího kabelu od síťové zásuvky vždy nejdříve nářadí vypněte.

### Regulace otáček

#### Obr. 5

Otáčky kotouče mohou být regulovány pomocí otočného regulátoru na horní části rukojeti. Vyšší poloha znamená vyšší otáčky. Při nanášení vosku a leštění nezhazujte práci s vysokými otáčkami nářadí.

### Zapínání a vypínání

#### Obr. 6

- Bezpečnostní vypínač je funkční pouze tehdy, když jej posunete dopředu (aby se odjistil) a následně ho stlačíte.
- Při zapínání nebo vypínání musí být bruska odlehčena (mimo záběr).

### Vypnutí

Uvolněte spínač.



*Leštící poduška se bude ještě otáčet i po vypnutí nářadí.*



Pokládejte nářadí až po úplném zastavení otáčení motoru. Nepokládejte nářadí na prašný povrch. Do nářadí by mohl vniknout prach.



*Poškozené a vyřazené elektrické nebo elektronické přístroje musí být likvidovány v příslušných recyklačních stanicích.*



*Nikdy nepoužívejte pro zastavení otáčení motoru klíč vřetena.*

## 5. SERVIS A ÚDRŽBA



*Ujistěte se, zda při provádění údržby motoru není nářadí připojeno k elektrické síti.*

Toto nářadí je vyrobeno tak, aby byl zajištěn jeho dlouhodobý provoz s minimálními nároky na údržbu. Dlouhodobý bezproblémový provoz nářadí závisí na řádné péči o nářadí a na jeho pravidelném čištění.



*opravy nářadí by měl provádět pouze kvalifikovaný technik nebo servisní firma.*

### Čištění

Udržujte větrací otvory čisté a průchozí, abyste zabránili přehřátí motoru. Pravidelně čistěte skříň nářadí měkkým hadříkem, pokud možno po jeho každém použití. Dbejte na to, aby větrací otvory nebyly zaneseny prachem a nečistotami. Nelze-li nečistoty odstranit, použijte měkký hadřík navlhčený v saponátu.

Nikdy nepoužívejte rozpouštědla jako jsou benzín, líh, čpavek atd. Tato rozpouštědla mohou způsobit poškození plastových dílů.

### Poruchy

Dojde-li k poruše, například v důsledku opotřebování dílu, spojte se prosím s autorizovaným servisem, jehož adresa je uvedena na záručním listu. Na konci tohoto návodu naleznete nákresy dílů, které mohou být objednány.

## ŽIVOTNÍ PROSTŘEDÍ

Aby bylo zabráněno poškození během dopravy, je toto zařízení dodáváno v pevném obalu, který se skládá převážně z recyklovatelného materiálu. Proto prosím využijte možnosti recyklace obalových materiálů.

### Pouze pro krajiny ES

Elektricky napájené zařízení neodhazujte do domovního odpadu. Ve smyslu evropské směrnice 2012/19/EU o elektrickém a elektronickém odpadu a její implementace do národního práva, se musí elektrické nástroje, které se již déle nepoužívají, shromážďovat odděleně a likvidovat pouze způsobem, jenž nepoškozuje životní prostředí.

## ZÁRUKA

Záruční podmínky naleznete na přiloženém samostatném záručním listě.

## UHLOVÁ LEŠTIČKA 1400W - 180MM

### Ďakujeme vám za zakúpenie tohto produktu značky Ferm.

Vďaka tomu teraz máte vynikajúci produkt, ktorý vám dodal jeden z vedúcich dodávateľov v Európe. Všetky produkty, ktoré vám dodala spoločnosť Ferm, sa vyrábajú podľa najvyšších noriem výkonu a bezpečnosti. Ako súčasť našej filozofie tiež poskytujeme vynikajúci servis pre zákazníka, ktorý podporuje naša komplexná záruka. Dúfame, že si budete užívať tento produkt ešte mnoho ďalších rokov.

### Čísla v nasledujúcom texte odpovedajú obrázkom na stranách 2-3.



*Pred použitím zariadenia si pozorne prečítajte prevádzkové pokyny. Oboznámte sa s jeho funkciami a základnou prevádzkou. Servis zariadenia vykonávajte podľa pokynov, aby ste zaručili, že bude vždy správne fungovať. Prevádzkové pokyny a príslušná dokumentácia sa musí uschovávať v blízkosti zariadenia.*

### Obsah

1. Údaje o zariadení
2. Bezpečnostné pokyny
3. Zloženie
4. Používanie
5. Servis a údržba

### Pokyny

Akékoľvek iné použitie ako leštenie a jemné pieskovanie je výslovne zakázané.

## 1. ÚDAJE O ZARIADENÍ

### Technické údaje

Napätie	230-240 V~
Frekvencia	50 Hz
Príkion	1400 W
Rýchlosť pri nezaťažení	1000-3300/min
Priemer disku	180 mm
Rozmer hriadaľa	M 14
Hmotnosť	3.3 kg
Lpa (akustický tlak)	86+3 dB(A)
Lwa (akustický výkon)	97+3 dB(A)
Úroveň vibrácií	3.51+1.5 m/s <sup>2</sup>

### Hladina vibrácií

Hladina emisií od vibrácií uvedená na zadnej strane tohto návodu na obsluhu bola nameraná v súlade s normalizovaným testom uvedeným v norme EN 60745; môže sa používať na vzájomné porovnávanie náradí a na predbežné posúdenie vystavenia účinkom vibrácií pri používaní náradia pre uvedené aplikácie

- používanie náradia na rôzne aplikácie, alebo v spojení s rôznymi alebo nedostatočne udržiavanými doplnkami môže značne zvýšiť úroveň vystavenia
- časové doby počas ktorých je je náradie vypnuté alebo počas ktorých náradie beží ale v skutočnosti nevykonáva prácu môžu značne znížiť úroveň vystavenia

Chráňte sa pred účinkami vibrácií tak, že budete náradie a jeho príslušenstvo správne udržiavať, tak že nebudete pracovať so studenými rukami a tak že si svoje pracovné postupy správne zorganizujete

### Vlastnosti

#### Obr. 1

1. Vypínač
2. Ovládač rýchlosti
3. Rukoväť v tvare U
4. Držiak kotúča
5. Uzamknutie hriadaľa
6. Uzamknutie spínača

## 2. BEZPEČNOSTNÉ POKYNY

### Vysvetlenie symbolov



Označuje riziko osobného úrazu, straty života alebo poškodenia zariadenia v prípade nedodržania pokynov v tomto manuáli.



Označuje nebezpečenstvo úrazu elektrickým prúdom.



Nikdy nepoužívajte na zastavenie motora poistku motora.



Zabezpečte, aby okolostojaci neboli blízko zariadenia.





*Noste ochranu sluchu a zraku.*



*Noste ochranné rukavice.*



*Variabilné ovládanie otáčok*

**Všeobecné bezpečnostné upozornenia pre brúsenie brúsnyim papierom, brúsenie drôtenou kefou alebo leštenie:**

- a) Tento výkonný nástroj je určený, aby ste ho použili ako brúsku, drôtenú kefu a leštič. Prečítajte si všetky bezpečnostné upozornenia, pokyny, nákresy a technické údaje, ktoré sa dodali s týmto výkonným nástrojom. Nedodržanie všetkých nižšie uvedených pokynov môže spôsobiť zásah elektrickým prúdom, požiar a/alebo vážne zranenie.
- b) Činnosti, ako brúsenie alebo odrezávanie, sa s týmto výkonným nástrojom neodporúčajú vykonávať. Činnosti, pre ktoré sa výkonný nástroj nenavrhol, môžu vytvárať riziko a spôsobiť fyzické zranenie.
- c) Nepoužívajte príslušenstvo, ktoré nie je špecificky navrhnuté a odporúčané výrobcom nástroja. Len preto, že sa príslušenstvo dá upevniť k výkonnému nástroju, nezaručuje to bezpečnú prevádzku.
- d) Menovitá rýchlosť príslušenstva sa musí aspoň rovnať maximálnej rýchlosti, ktorá je vyznačená na výkonnom nástroji. Príslušenstvo, ktoré sa používa pri vyššej rýchlosti, ako je jeho menovitá rýchlosť, sa môže zlomiť a rozpadnúť.
- e) Vonkajší priemer a hrúbka vášho príslušenstva sa musí nachádzať v rámci údaju o kapacite výkonného nástroja. Príslušenstvo nesprávnej veľkosti sa nedá adekvátne chrániť alebo kontrolovať.
- f) Veľkosť hriadeľového otvoru kotúčov, prírub, oporných podložiek alebo iného príslušenstva musí správne zapadnúť do hriadeľu výkonného nástroja. Príslušenstvá s hriadeľovými otvormi, ktoré nezodpovedajú upevňovaciemu hardvéru výkonného nástroja, stratia vyváženie, budú nadmerne vibrovať a môžu spôsobiť stratu kontroly.
- g) Nepoužívajte poškodené príslušenstvo. Pred každým použitím skontrolujte príslušenstvo, ako napríklad brúsne kotúče, či nie sú vyštrbené a prasknuté, oporné podložky, či nie sú prasknuté, poškodené alebo nadmerné opotrebované, drôtená kefa, či nie je uvoľnená alebo nemá popraskané drôty. Ak výkonný nástroj alebo príslušenstvo spadne, skontrolujte, či nie je poškodené, prípadne nainštalujte nepoškodené príslušenstvo. Po kontrole a inštalácii príslušenstva sa postavte spolu s okolostojacimi mimo rovinu otočného príslušenstva a na jednu minútu spustíte výkonný nástroj pri maximálnej rýchlosti bez zaťaženia. Poškodené príslušenstvo sa bežne počas tejto doby testovania rozpadne.
- h) Noste osobné ochranné vybavenie. V závislosti od použitia používajte ochranný štít tváre, ochranné okuliare alebo bezpečnostné okuliare. Podľa potreby noste protiprachovú masku, ochranu sluchu, rukavice a pracovnú zásteru, ktorá dokáže zabrániť malým odreninám, prípadne zastaviť úlomky opracúvaného predmetu. Ochrana zraku musí dokázať zastaviť odletujúce sutiny, ktoré sa vytvárajú pri rôznych činnostiach. Protiprachová maska alebo respirátor musia dokázať filtrovať častičky, ktoré vznikajú pri vašej činnosti. Dlhodobé vystavenie sa vysokej intenzite hluku môže spôsobiť stratu sluchu.
- i) Udržujte okolostojacích v bezpečnej vzdialenosti od pracovnej oblasti. Každý, kto vstúpi do pracovnej oblasti musí nosiť osobné ochranné vybavenie. Úlomky opracúvaného predmetu alebo zlomeného príslušenstva môžu odletieť a spôsobiť zranenie mimo okamžitej oblasti prevádzky.
- j) Výkonný nástroj pri vykonávaní činnosti držte len za izolované úchytné body v prípadoch, kde sa rezacie príslušenstvo môže dostať do kontaktu so skrytými káblami alebo svojim vlastným káblom. Rezacie príslušenstvo, ktoré sa dostane do kontaktu so "živým" káblom môže spôsobiť, že odhalené kovové diely výkonného nástroja sa stanú "živými" a spôsobia obsluhujúcemu pracovníkovi zásah elektrickým prúdom.
- k) Kábel umiestnite mimo dosahu otáčajúceho sa príslušenstva. Ak stratíte kontrolu, kábel sa môže prerezať alebo zachytiť, čo by mohlo spôsobiť vtiahnutie vašej ruky alebo ramena do otáčajúceho sa príslušenstva.
- l) Nikdy nepoložte výkonný nástroj, kým sa

príslušenstvo úplne nezastaví. Otočné príslušenstvo môže zachytiť povrch a spôsobiť stratu kontroly nad výkonným nástrojom.

- m) Nespúšťajte výkonný nástroj, zatiaľ čo ho nesiete pri sebe. Náhodný kontakt s otočným príslušenstvom by mohol zachytiť vaše oblečenie a pritiahnúť príslušenstvo k vášmu telu.
- n) Pravidelne čistíte vetracie otvory výkonného nástroja. Ventilátor motora bude ťahať prach do krytu a nadmerné nahromadenie práškoveho kovu môže spôsobiť elektrické nebezpečenstvá.
- o) Výkonný nástroj nepoužívajte v blízkosti horľavých materiálov. Iskry by mohli tieto materiály vznietiť.
- p) Nepoužívajte príslušenstvo, ktoré vyžaduje tekuté chladenie. Použitie vody alebo iných kvapalných chladiacich látok môže spôsobiť zásah elektrickým prúdom alebo šok.

### Upozornenia na spätný ráz a podobné nebezpečenstvá

Spätný ráz predstavuje nečakanú reakciu na zaseknutý alebo zadrhnutý otočný kotúč, opornú podložku, kefu alebo akékoľvek iné príslušenstvo. Zaseknutie alebo zadrhnutie spôsobuje rýchlu stratu rýchlosti otočného príslušenstva, ktoré následne spôsobí, že nekontrolovaný výkonný nástroj bude zatlačený smerom proti otáčaniu príslušenstva v bode spojenia.

Ak sa napríklad brúsny kotúč zasekne alebo zadrhne v opracúvanom predmete, hrana kotúča, ktorá preniká do bodu zadrhnutia sa môže zaboriť do povrchového materiálu, čím spôsobí, že kotúč vylezie alebo spôsobí spätný ráz. Kotúč môže skočiť smerom k obsluhujúcemu pracovníkovi alebo od neho, a to v závislosti od smeru pohybu kotúča v bode zadrhnutia. V týchto podmienkach sa môže tiež stať, že sa brúsne kotúče zlomia.

Spätný ráz je výsledkom zneužitia a/alebo nesprávnych pracovných postupov s výkonným nástrojom, prípadne podmienok a môže sa mu predchádzať vykonaním vhodných bezpečnostných opatrení podľa nižšie uvedeného postupu.

- a) Uchovajte pevné uchytenie výkonného nástroja a umiestnite sa telom a rukou tak, aby ste odolali silám spätného rázu. Vždy používajte pomocnú rukoväť (ak sa dodáva), aby ste zaistili maximálnu kontrolu nad spätným rázom alebo reakciou krútiaceho

momentu počas spustenia. Ak sa vykonajú vhodné bezpečnostné opatrenia, obsluhujúci pracovník bude môcť ovládať reakcie krútiaceho momentu alebo sily spätného rázu.

- b) Nikdy nedávajte ruku do blízkosti otočného príslušenstva. Príslušenstvo môže spätný ráz vymrštíť cez vašu ruku.
- c) Nestavajte sa telom do oblasti, kde sa výkonný nástroj pohne, ak sa vyskytne spätný ráz. Spätný ráz vrhne nástroj v smere proti pohybu kotúča v bode zadrhnutia.
- d) Buďte obzvlášť opatrní, keď opracúvate rohy, ostré hrany atď. Predchádzajte narážaniu a zadrhovaniu príslušenstva. Rohy, ostré hrany alebo narážanie má tendenciu zadrhnúť otočné príslušenstvo a spôsobiť stratu kontroly alebo spätný ráz.
- e) Nepripájajte ostrie do dreva pre reťazovú pílu alebo ozubený list píly. Takéto čepele spôsobujú častý spätný ráz a stratu kontroly.

### Špeciálne bezpečnostné pokyny

- Skontrolujte, či maximálne otáčky, označené na brúsnom kotúči odpovedajú maximálnym otáčkam zariadenia. Rýchlosť zariadenia nesmie presiahnuť hodnotu uvedenú na brúsnom kotúči.
- Presvedčte sa, či rozmery brúsneho kotúča odpovedajú technickým podmienkam zariadenia.
- Presvedčte sa, či brúsny kotúč je správne namontovaný a pritiahnutý. Na riadne upevnenie brúsneho kotúča nepoužívajte redukčné krúžky alebo adaptéry.
- Zaobchádzajte s brúsnymi kotúčmi v súlade s pokynmi od dodávateľa.
- Nepoužívajte zariadenie na brúsenie obrobkov presahujúcich maximálnu hĺbku brúsenia brúsneho kotúča.
- Nepoužívajte brúsny kotúč na odihlovanie.
- Ak brúsne kotúče musia byť namontované na závitovom vedení vretena, presvedčte s, či vreteno má dostatočný závit. Zabezpečte, aby vreteno bolo dostatočne chránené a nedotýkalo sa brúseného povrchu.
- Pred použitím skontrolujte brúsny kotúč, či nie je poškodený. Nepoužívajte brúsne kotúče, ktoré sú prasknuté, rozštiepené alebo inak poškodené.
- Pred použitím nechajte zariadenie bežať naprázdno na 30 sekúnd. V prípade

abnormálnych vibrácií alebo ak sa vyskytne iná porucha, zariadenie ihneď vypnite.

Predtým, než znovu zapnete zariadenie, dôkladne ho skontrolujte.

- Zabezpečte, aby iskry neohrozovali ľudí a aby sa nedostali do kontaktu s vysoko horľavými látkami.
- Zabezpečte, aby obrobok bol dostatočne podopretý alebo upnutý. Nedávajte ruky na plochu, ktorá sa má rezať.
- Vždy noste ochranné okuliare a ochranu sluchu. Ak je to žiadúce alebo potrebné, používajte ďalšiu ochranu, ako je napríklad zástera alebo prilba.
- Zabezpečte, aby obrobok bol namontovaný v súlade s pokynmi výrobcu.
- Zabezpečte, aby sa používali pijaky, ak sú dodávané s lepeným brúsny výrobkom a ak sú potrebné..
- Ak sa s nástrojom dodáva kryt, nikdy nepoužívajte nástroj bez takéhoto krytu.
- Pre nástroje určené na to, aby boli namontované s kotúčom so závitovou dierou, zabezpečte, aby závit v kotúči bol dostatočne dlhý, aby bola akceptovaná dĺžka vretena.
- Zabezpečte, aby ventilačné otvory boli udržiavané čisté, ak pracujete v prašných podmienkach. Ak by bolo potrebné vyčistiť prach, najprv odpojte zariadenie od elektrickej siete (použite nekovové predmety) a vyhnite sa poškodeniu vnútorných dielov.
- V prípade zlých podmienok elektrickej siete sa môže narázko vyskytnúť pokles napätia pri spustení zariadenia. Toto môže ovplyvniť ostatné zariadenia (napr. blikanie lampy). Ak je impedancia zariadenia  $Z_{max} < 0.348 \text{ Ohm}$ , takéto poruchy sa nepredpokladajú. (V prípade potreby môžete kontaktovať vášho miestneho dodávateľa pre ďalšie informácie.

Zariadenie ihneď vypnite, keď:

- sa objaví iskrenie uhlíkových kefiiek a verticiliosis v kolektore.
- dôjde k prerušeniu v elektrickej zástrčke, elektrickým káblom alebo sa elektrický kábel poškodí.
- je chybný vypínač
- sa objaví dym alebo zápach z prepálenej izolácie.

### Elektrická bezpečnosť

Pri používaní elektrických zariadení vždy dodržujte bezpečnostné nariadenia, ktoré platia vo vašej krajine, aby ste obmedzili riziko požiaru, zásahu elektrickým prúdom a fyzického zranenia. Prečítajte si nasledujúce bezpečnostné pokyny a tiež priložené bezpečnostné pokyny.



*Zakaždým skontrolujte, či sieťové napätie je rovnaké ako na typovom štítku zariadenia.*



*Zariadenie triedy II – Dvojitá izolácia – Nepotrebuje uzemnenú zástrčku.*

### Výmena káblov alebo koncoviek

Okamžite odhodte staré káble alebo konektory potom, čo ich vymeníte za nové. Je nebezpečné zapojiť konektor voľného kábla do sieťovej zásuvky.

### Používanie predlžovačiek

Používajte len schválenú predlžovačku, ktorá je vhodná pre sieťové napájanie zariadenia. Minimálna veľkosť vodiča je  $1,5 \text{ mm}^2$ . Keď používate kábel navinutý na cievke, cievku vždy úplne odviňte.

## 3. ZLOŽENIE



*Pred namontovaním príslušenstvo zariadenie vždy odpojte.*

### Zloženie rukoväte

#### Obr. 2

Rukoväť je vhodná pre použitie v ľavej alebo pravej ruke.

- Rukoväť nainštalujte takým spôsobom, aby otvory zodpovedali otvorom na skrutky na zariadení.
- Rukoväť dotiahnite pomocou skrutiek a šesťhranného kľúča.

### Montáž príslušenstva

#### Obr. 3

- Stlačte uzamknutie hriadeľa
- Naskrutkujte a dotiahnite držiak kotúča na hriadeľ

- Zatlačte uzamknutie hriadeľa
- Namontujte leštiaci kotúč (4) na držiak kotúča (5).



*Nikdy nepoužívajte kľúč hriadeľa na zastavenie otáčania motora.*

### Príslušenstvo

#### Obr. 4

#### Leštiaci kotúč (3)

Sa používa pre vysokolesklé leštenie a voskovanie.

#### Kotúč na leštenie dreva (4)

Používa sa pre vysokolesklú koncovú úpravu.

## 4. POUŽÍVANIE



*Vždy dodržujte bezpečnostné pokyny a dodržiavajte príslušné nariadenia.*

- Pri zapnutí a vypnutí držte zariadenie z dosahu opracovaného predmetu.
- Pred vyťahnutím zástrčky zo zásuvky po použití zariadenia ho vždy najskôr vypnite.

### Ovládanie rýchlosti

#### Obr. 5

Rýchlosť disku sa môže ovládať otočným gombíkom na hornej strane rukoväte.

Čím je vyššia poloha, tým je vyššia rýchlosť. Pri nanášaní vosku a leštidla nezačínajte pri vysokej rýchlosti.

### Zapnutie a vypnutie

#### Obr. 6

- Toto zariadenie je vybavené bezpečnostným spínačom.
- Zariadenie spustíte stlačením gombíka "odistenie" (na uvoľnenie spínača) a zapnete vypínač.

### Vypnutie

Pustíte vypínač.



*Leštička bude pokračovať v otáčaní aj po vypnutí.*

Zariadenie položte až potom, čo sa motor úplne prestal otáčať. Zariadenie nedávajte na prašný povrch. Do zariadenia by mohli preniknúť čiastočky prachu.

## 5. SERVIS A ÚDRŽBA



*Uistite sa, že zariadenie nie je pod prúdom, keď sa vykonáva údržba motora.*

Toto zariadenie sa navrhlo tak, aby sa dlhodobo používalo pri minimálnej údržbe. Nepretržitá uspokojivá prevádzka závisí od správnej starostlivosti o zariadenie a od pravidelného čistenia.



*Opravy a servis môže vykonávať len kvalifikovaný technik alebo servis.*

### Čistenie

Vetracie otvory zariadenia udržiavajte čisté, aby ste predišli v prehriatí zariadenia. Pravidelne čistite puzdro zariadenia jemnou handričkou, pokiaľ je to možné po každom použití. Vetracie otvory udržiavajte čisté od prachu a špiny. Ak sa špina nedá zmyť, použite jemnú handričku navlhčenú vodou s mydlom. Nikdy nepoužívajte rozpúšťadla, ako napríklad benzín, alkohol, amoniakovú vodu atď. Tieto rozpúšťadlá môžu poškodiť plastové časti.

### Poruchy

Ak by sa vyskytla porucha, napr. po opotrebovaní dielu, kontaktujte servis na adrese, ktorá je uvedená na záručnom liste.

Na zadnej strane tejto príručky nájdete zvýraznené zobrazenie, na ktorom sú uvedené diely na objednanie.

## ŽIVOTNÉ PROSTREDIE

Aby sa predišlo poškodeniu počas prepravy, zariadenie sa dodáva v pevnom balení, ktoré sa zväčšiny skladá s opätovne využitého materiálu. Preto, prosím, využívajte možnosti recyklácie balenia.



*Chybné elektrické alebo elektronické zariadenia a/alebo vyradené zariadenia sa musia odovzdať na príslušných recyklačných miestach.*

### Len pre štáty ES

Elektricky napájané zariadenia neodhadzujte do domového odpadu. Podľa európskej smernice 2012/19/EU o elektrickom a elektronickom odpade a jej implementácie do národného práva, elektrické nástroje, ktoré sa už ďalej nepoužívajú, sa musí zhromažďovať samostatne a likvidovať iba ekologicky prijateľným spôsobom.

## ZÁRUKA

Záručné podmienky môžete nájsť v samostatne priloženom záručnom liste.

**Výrobok a návod na obsluhu podliehajú zmenám. Technické údaje sa môžu zmeniť bez predchádzajúceho upozornenia.**

## KOTNI POLIRNIK 1400W - 180MM

**Zahvaljujemo se vam za nakup izdelka Ferm.** Postali ste lastnik izjemnega izdelka, proizvedenega s strani enega vodilnih evropskih dobaviteljev. Vsi izdelki podjetja Ferm so izdelani skladno z najvišjimi standardi delovanja in varnosti. Kot del naše filozofije nudimo tudi izjemno podporo kupcem, podprto z našo široko obsegajočo garancijo. Upamo, da boste med dolgoletno uporabo tega izdelka nadvse uživali.

### Številke spodaj ustrezajo slikam na strani 2-3



*Pred uporabo stroja pozorno preberite priročnik za uporabnika. Spoznajte orodje, njegovo delovanje in se naučite z orodjem pravilno ravnati. Orodje vzdržujte v skladu z navodili in zagotovite pravilno delovanje. Priročnik za uporabnika in ostalo dokumentacijo hranite skupaj z orodjem.*

### Vsebina

1. Podatki o stroju
2. Varnostna navodila
3. Sestavljanje
4. Uporaba
5. Servis in vzdrževanje

### Predstavitev

Vsaka drugačna uporaba kot poliranje in blago brušenje je strogo prepovedana.

## 1. PODATKI O STROJU

### Tehnične specifikacije

Napätie	230-240 V~
Frekvencia	50 Hz
Príkon	1400 W
Rýchlosť pri nezaťažení	1000-3300/min
Priemer disku	180 mm
Rozmer hriadela	M 14
Hmotnosť	3.3 kg
Lpa (akustický tlak)	86+3 dB(A)
Lwa (akustický výkon)	97+3 dB(A)
Úroveň vibrácií	3.51+1.5 m/s <sup>2</sup>

### Raven vibrácií

Raven oddajanja vibrácií, navedena na zadnji strani teh navodil za uporabo je bila izmerjena



v skladu s standardiziranimi testi, navedenimi v EN 60745; uporabiti jo je mogoče za primerjavo različnih orodij med seboj in za predhodno primerjavo izpostavljenosti vibracijam pri uporabi orodja za namene, ki so omenjeni



Uporabljajte zaščitne rokavice.



Nastavljiva kontrola hitrosti

- uporaba orodja za drugačne namene ali uporaba skupaj z drugimi, slabo vzdrževanimi nastavki lahko znatno poveča raven izpostavljenosti
- čas, ko je orodje izklopljeno ali ko teče, vendar z njim ne delamo, lahko znatno zmanjša raven izpostavljenosti

Pred posledicami vibracij se zaščitite z vzdrževanjem orodja in pripadajočih nastavkov, ter tako, da so vaše roke tople, vaši delovni vzorci pa organizirani

### Lastnosti

#### Slika 1

1. Stikalo za vklop/izklop
2. Krmiljenje hitrosti
3. Ročica U-oblike
4. Držalo blazinice
5. Zaklep vretena
6. Zaklep stikala

## 2. VARNOSTNA NAVODILA

### Informacije o izdelku



Označuje nevarnost poškodb, smrti ali materialnih škod na napravi in predmetih zaradi neupoštevanja navodil, ki so zajeta v tem priročniku.



Označuje nevarnost električnega udara.



Os zapirala uporabljajte samo v načinu mirovanja.



Druge osebe v bližini morajo stati v varni razdalji.



Uporabljajte zaščitna očala in zaščito za sluh.



### Varnostna opozorila za brušenje, žično ščetkanje in poliranje:

- a) To električno orodje lahko uporabljate kot brusilnik, žični ščetkalnik in polirnik. Prosimo, d asi preberete vsa varnostna opozorila, navodila, ilustracije in specifikacije, ki so priložene orodju. Neupoštevanje spodaj navedenih navodil se lahko odrazi v električnem udaru, požaru in/ali resnih poškodbah.
- b) Operaciji, kot sta rezkanje ali rezanje s tem orodjem nista dovoljeni in jih ne priporočamo. Operacije, za katere orodje ni bilo izdelano lahko povzročijo nevarnost in telesne poškodbe.
- c) Ne uporabljajte priključkov, ki niso posebno oblikovani ali priporočeni s strani proizvajalca. Če je priključek možno namestiti na električno orodje, to še ne pomeni da resnično zagotavlja varno uporabo.
- d) Navedeno število vrtljajev priključka mora biti vsaj enako maksimalnemu številu vrtljajev, ki navedenemu na električnem orodju. Priključki, ki delujejo z več vrtljaji, kot je navedeno na orodju se lahko razletijo.
- e) Zunanji premer in debelina priključka morata ustrezati specifikacijam električnega orodja. Neustrezni priključki ne morejo zagotavljati zadostne varnosti, niti jih ni možno uspešno nadzirati.
- f) Dimenzije kolotov, prirobnic, brusilnih plošč in drugih priključkov morajo zagotavljati, da slednje lahko pravilno pritrдите na vreteno električnega orodja. Priključki s poklopnimi luknjami, ki se ne prilegajo montažni opremi tako kot je treba, lahko pridejo iz ravnovesja in začno prekomerno vibrirati ter uidejo iz nadzora.
- g) Ne uporabljajte priključkov, ki so poškodovani. Pred vsako uporabo preverite priključek in brusilne kolute glede razpok in prask, brusilne plošče glede prakk, preobremenjenosti ali prekomerne obrabe, ščetke iz žice pa glede izpadajočih ali razpokanih žic. Če je električno orodje ppadlo, preverite če se je pri tem poškodovalo, ozoroma namestite

nepoškodovani priključek. Po pregledovanju ali namestitvi priključka, stopite proč in odstranite tudi ostale prisotne proč od predela vrtenja priključka, ter pustite električno orodje delovati v prostem teku vsaj eno minuto.

Poškodovani priključki so bodo v tem času običajno razpadli.

- h) Nosite profesionalno zaščitno opremo. Glede na aplikacijo, uporabite vizir za predel obraza, varnostna očala ali ščitnik. Če je potrebno, si namestite protiprašno masko, zaščito za sluh, rokavice in delovno obleko, ki zagotavlja zaščito pred drobnimi letečimi delci. Zaščita za oči mora zagotavljati varovanje pred letečimi delci, ki nastanejo pri različnih postopkih. Respirator protiprašne maske mora zagotavljati filtracijo drobnih delcev, ki nastajajo med obratovanjem. Daljša izpostavljenost prekomernemu hrupu lahko povzroči poškodbe slušnih organov.
- i) Prisotnim ne dovolite približevanja delovnemu območju. Vsak, ki vstopi v to območje mora nositi osebno zaščitno opremo. Delci obdelovanca ali polomljenega priključka lahko odletijo in povzročijo poškodbe bližnjih.
- j) Orodje držite le za izolirana držala, saj le ta zagotavljajo ustrezno zaščito pri delih kjer rezalni pripomočki lahko pridejo v stik s skrito električno napeljavo ali lastnim napajalnim kablom. Priključki za rezanje ki pridejo v stik z "živim" kablom lahko povzročijo, da električni deli orodja postanejo pod napetostjo ter električni udar.
- k) Električni kabel namestite tako, da bo jasno viden. Če izgubite nadzor nad orodjem, lahko prerežete napajalni kabel ali se slednji navije na vreteno ter povzroči poškodbe rok ali ram.
- l) Nikoli ne odlagajte orodja, ki se še ni povsem zaustavil. Vrteči se priključki lahko zgrabiijo površino in za seboj povlečejo celotno orodje.
- m) Električnega orodja med prenašanjem ne zaganjajte. Nenadni stik z vrtečim se orodjem lahko zagrabi vaše oblačilo in povzroči, da vas priključek poškoduje.
- n) Redno čistite prezračevalne odprtine priključka. Ventilator motorja deluje tako, da izpiha prah iz notranjosti ohišja orodja, saj prekomerna količina prahu lahko povzroči električno nevarnost.
- o) Električnega orodja ne uporabljajte blizu vnetljivih materialov. Iskrenje bi lahko povzročilo vžig.
- p) Ne uporabljajte priključkov, ki zahtevajo uporabo hladilnih tekočin. Uporaba vode ali druge hladilne tekočine lahko povzroči električno nevarnost ali udar.

### **Opozorila glede povratnega udarca in drugih potencialnih poškodb**

Povratni sunek pomeni, da orodje med obratovanjem nenadoma sune v nasprotni smeri delovanja. Če se priključek ujame v obdelovanec, to povzroči nenadno zaustavitev orodja zaradi česar pride do nenadne akumulacije moči in sunka v nasprotni smeri vrtenja vretena.

Na primer, če se brusilni kolut ujame v obdelovanec, se rob koluta lahko dvigne nad površino obdelovanca, kar povzroči sa se kolut povzpne in izpade iz obdelovanca. Kolut pri tem lahko odleti proti ali proč od delavca glede na samo smer vrtenja v času, ko se je ujel v obdelovanec. Brusilni koluti se pri tem lahko tudi polomijo.

Povratni sunek je rezultat pomanjkanja moči in/ali nepravilnih delovnih postopkov oz. nastanka pogojev, ki se jim pri upoštevanju ustreznih, spodaj navedenih varnostnih ukrepov lahko izognete.

- a) Med delom nepretstano trdno držite orodje in sicer v položaju, ki vam zagotavlja obvladovanje orodja v primeru pojava nenadnih sil. Vedno uporabite tudi pomožno držalo, in si tako zagotovite maksimalni nadzor v primeru povratnega sunka ali navora ob zagonu. Delavec lahko obvladuje navor oziroma povratni sunek le tako, da upošteva predpisane varnostne ukrepe.
- b) Nikoli ne postavljajte rok blizu vrtečega se priključka. Priključek med obratovanjem lahko povzroči povratni sunek v roko.
- c) Ne postavljajte telesa v položaj, kjer obstaja nevarnost povratnega sunka. Povratni sunek bo sunil orodje v nasprotni smeri vrtenja koluta.
- d) Bodite posebej pozorni pri obdelovanju vogalov, ostrih robov, itd. Pazite, da med delom priključek ne začne poskakovati. Vogali, ostri robovi ali povratno delovanje orodja povzročijo, da vrteči se priključek uide iz nadzora in povzroči povratni sunek.
- e) Na orodje ne nameščajte verižne motorne žage, niti rezila krožne žage. Takšna rezila lahko ustvarijo povratni sunek in izgubo nadzora.

### **Posebne varnostna navodila**

- Zkontrolirajte, zda maksimalni rychlost uvedená na brusném kotouči odpovídá maximální

rychlosti přístroje. Rychlost přístroje nesmí přesáhnout hodnotu uvedenou na brusném kotouči.

- Zkontrolujte, zda jsou rozměry brusného kotouče v souladu s technickými údaji přístroje.
- Zkontrolujte, zda byl brusný kotouč správně nasazen a upevněn. K dosažení pevného nasazení kotouče nepoužívejte redukční kroužky či adaptéry.
- Zacházejte s brusnými kotouči podle pokynů dodavatele a v souladu s nimi je také skladujte.
- Přístroj nepoužívejte k broušení obrobků, jejichž maximální tloušťka je větší než maximální brusná hloubka brusného kotouče.
- Brusný kotouč nepoužívejte k odstraňování ostřin.
- Jestliže je třeba brusný kotouč nasadit na závit vřetena, zkontrolujte, zda vřeteno má dostatečný závit. Zkontrolujte, jestli je vřeteno dostatečně chráněno a nedotýká se broušeného povrchu.
- Před použitím zkontrolujte, jestli brusný kotouč není poškozen. Nepoužívejte poškozené brusné kotouče, ať už mají praskliny, trhliny nebo jsou poškozené jakýmkoli jiným způsobem.
- Před použitím nechte přístroj běžet v nezátíženém stavu po dobu třiceti sekund. Pokud docházelo k abnormálním vibracím anebo při výskytu jiné závady, okamžitě přístroj vypněte. Než pak přístroj znovu zapojíte, pečlivě ho přezkoušejte, a to včetně brusného kotouče.
- Dohlédněte na to, aby jiskry nikoho neohrožovaly a aby se nedostaly do styku s vysoce hořlavými látkami.
- Postarejte se o to, aby obrobky byly dostatečně podepřeny nebo upnuty. Nepřibližujte se rukama k řezné ploše.
- Vždy používejte bezpečnostní ochranné brýle a ochranu sluchu. Pokud je to nutné nebo žádoucí, používejte i jiné ochranné prostředky, jako například ochrannou zástěru nebo přilbu.
- Ujistěte se, že instalace kotoučů a nastavovací body odpovídají pokynům výrobce.
- Zabezpečte, že kotouče jsou upevněny pomocí těsnících vložek, jsou-li dodány s příloženým brusným výrobkem a jsou-li vyžadovány.
- Jeli s přístrojem současně dodána ochrana, nikdy nepoužívejte přístroj bez této ochrany.
- U přístrojů vybavených kotoučem s vnitřním

závitěm se přesvědčete, že závit je dostatečně hluboký, aby se do něj vešla celá délka vřetena.

- Ujistěte se, že ventilační otvory jsou čisté při práci v prašném prostředí. Je-li nutně prach odstranit, odpojte nejprve přístroj od sítě (použijte nekovové předměty) a vyhněte se poškození vnitřních částí přístroje.
- Při kolísavém síťovém napojení se mohou objevit drobné výpadky napětí při startování přístroje. Tyto výpadky mohou ovlivnit i funkci dalších přístrojů (například může začít blikat lampa). Jeli impedance sítě v hodnotě  $Z_{max} < 0,348 \text{ Ohm}$ , takové výpadky se nedají očekávat. (V případě potřeby můžete kontaktovat vašeho místního dodavatele, aby vám sdělil další informace).

Na stroju nemudoma izklopíte stikalo, ko pride do:

- Nenavadnega iskenjra ogljikovih krtač in v zbiralniku
- Prekinitivne omrežnega vtikala, omrežnega vodenja ali poškodbe omrežnega vodenja.
- Napake stikala
- dima ali neprijetnega vonja osmojene izolacije.

### Navodila za varnost

Ko uporabljate električna orodja vedno upoštevajte varnostna pravila, ki veljajo v vaši državi za zmanjšanje nevarnosti požara, električnega udara ali osebne poškodbe. Preberite naslednja navodila za vašo varnost, kot tudi priložena varnostna navodila. Hranite ta navodila na varnem kraju.



*Vždy kontrolujte, jestli napájení odpovídá napětí na typovém štítku.*



*Naprava II. razreda – dvojná izolácia – Ne potrebujete vtikača z ozemlitvijo.*

### Menjava kablov ali vtikačev

Stare kable in vtikače takoj po zamenjavi z novimi odvrzite v smeti. Vstavljanje odsluženega vtikača ali kabla v zidno vtičnico je zelo nevarno.

### Uporaba podaljškov

Uporabljajte le odobrene podaljške, ki ustrezajo lastnostim za napajanje vašega stroja. Minimalni premer kabla je 1,5 mm<sup>2</sup>. Ko uporabljate podaljšek na vřetenu, slednjega vedno popolnoma odvijte.

### 3. SESATVLJANJE



*Pri sesatvljanju naj bo orodje vedno odklopljeno z napajanja.*

#### Sestavljanje ročaja

##### Slika 2

Ročaj je primeren za namestitev na levo ali na desno stran.

- ročaj namestite tako, da bodo odprtine za pritrditev nalegale na navojne odprtine na stroju,
- ročaj pritrdite z vijaki, katere privijete s šesterkotnim ključem.

#### Sestavljanje pripomočkov

##### Slika 3

- Pritisnite zaklep vretena
- Držalo blazinice trdno privijte na vreteno
- Sprostite zaklep vretena
- Blazinico za poliranje namestite (4) na držalo blazinice (5).

#### Pripomočki

##### Slika 4

#### Blazinica za poliranje (3)

Se uporablja za poliranje do visokega sijaja in voskanje.

#### Volnena blazinica za poliranje (4)

Uporablja se za finišeiranje do visokega sijaja.

### 4. UPORABA



*Vedno upoštevajte varnostna navodila in spoštujte predpise.*

- pri vklopu in izklopu imejte stroj odmaknjen od delovne površine,
- po končanem delu stroj najprej izklopite, šele nato izvlecite vtič napajalnega kabla iz vtičnice.

#### Krmiljenje hitrosti

##### Slika 5

Hitrost vrtenja koluta lahko krmilite preko vrtljivega gumba na vrhu držala.

Višje ko je, višja je hitrost vrtenja koluta.

Pri nanašanju voska in pri poliranju ne začnite z visoko hitrostjo.

#### Zapínání a vypínání

##### Slika 6

- Bezpečnostní vypínač je funkční pouze tehdy, když jej posunete dopředu (aby se odjistil) a následně ho stlačíte.
- Při zapínání nebo vypínání musí být bruska odlehčena (mimo záběr).

#### Izklop

Sprostite stikalo.



*Po izklopu se bo polirni stroj še naprej vrtel.*

Stroj odložite le tedaj, ko se vrtenje motorja popolnoma zaustavi. Stroja ne odaljšajte na prašnate površine. Prašnati delci lahko prodrejo v notranjost stroja.



*Za zaustavitev motorja nikoli ne uporabljajte ključa za vreteno.*

### 5. SERVIS IN VZDRŽEVANJE



*Pri vzdrževalnih delih na motorju se najprej prepričajte, da je stroj odklopljen z vira napajanja.*

Ta stroj je izdelan tako, da omogoča dolgotrajno obratovanje z malo vzdrževanja. Stalna in zadovoljna uporaba je odvisna od pravilne skrbi in rednega čiščenja stroja.



*Popravila in servisiranje lahko izvaja le usposobljeni serviser ali servisno podjetje.*

#### Čiščenje

Zagotovite, da bodo prezračevalne reže čiste in tako preprečite pregrevanje motorja. Redno čistite okrove orodja z mehko krpo, najbolje po vsaki uporabi. Zagotovite, da bodo prezračevalne reže proste prahu in umazanije. Če slednja noče izpasti, uporabite mehko krpo, navlaženo z vodno milnico. Nikoli ne uporabljajte raztopin, kot so bencin, alkohol, amonijeva voda, itd. Te raztopine lahko poškodujejo plastične dele.

## Napake

Če pride do napake, npr. po nošenju dela, obvestite naslov servisne službe, ki je napisan na garancijski kartici. Na zadnji strani tega priročnika boste našli razširjen pogled, ki kaže dele, ki se jih lahko naroči.

## OKOLJE

Zaradi preprečevanja poškodb med prevozom je orodje dobavljeno v trdnem zaboju, iz veliko ponovno uporabljivih delov. Vsekakor pa se poslužite možnosti recikliranja embalaže.



*Pokvarjene in/ali neizpravne električne ali elektronske naprave je potrebno odlagati na predpisanih reciklažnih mestih.*

## Samo za države ES

Električnih orodij ne vrzite stran v domače za smeti. Po Evropski smernici 2012/19/EU za WEEE (Odpadna električna in elektronska oprema) in njeno širitev v narodno pravo, je potrebno električna orodja, ki niso več uporabna, zbrati posebej in se jih znebiti na okolju prijazen način.

## GARANCIJA

Garancijske pogoje lahko najdete na priloženem garancijskem listu.

**Ta izdelek in ta navodila se lahko spremenijo. Specifikacije se lahko spremenijo brez opozorila.**

## POLERKA KĄTOWA 1400W - 180MM

### Dziękujemy za zakup tego produktu Ferm.

Kupując ten produkt uzyskaliście Państwo doskonałe urządzenie dostarczone przez jednego z wiodących producentów w Europie. Wszystkie urządzenia Ferm są produkowane zgodnie z najwyższymi normami wydajności i bezpieczeństwa. Częścią naszej filozofii jest zapewnianie doskonałej obsługi klienta wspartej naszą polityką gwarancyjną. Mamy nadzieję, że będziecie Państwo z przyjemnością korzystali z tego produktu przez wiele lat.

### Liczby w tekście odnoszą się do schematów na stronach 2-3.



*Przed rozpoczęciem użytkowania urządzenia uważnie przeczytaj instrukcję obsługi. Zapoznaj się z funkcjami i podstawami obsługi urządzenia. Przeprowadzaj naprawy i konserwację urządzenia zgodnie z instrukcją, aby zapewnić jego poprawne funkcjonowanie. Instrukcję obsługi i pozostałą dołączoną dokumentację należy przechowywać w pobliżu urządzenia.*

## Spis treści

1. Dane dotyczące maszyny
2. Instrukcje bezpieczeństwa
3. Montaż
4. Użytkowanie
5. Serwis i konserwacja

## Wprowadzenie

Używanie narzędzia do zastosowań innych niż polerowanie i lekkie wygładzanie jest surowo zabronione

## 1. DANE DOTYCZĄCE MASZYNY

### Dane techniczne

Napięcie	230-240 V~
Częstotliwość	50 Hz
Moc	1400 W
Obroty bez obciążenia	1000-3300/min
Średnica tarczy	180 mm
Wymiar wrzeciona	M 14
Ciężar	3.3 kg

Lpa (ciśnienie akustyczne)	86+3 dB(A)
Lwa (moc akustyczna)	97+3 dB(A)
Wartość wibracji	3.51+1.5 m/s <sup>2</sup>

### Poziom wibracji

Poziom emisji wibracji podany na końcu tej instrukcji został zmierzony zgodnie z testem standaryzowanym podanym w EN 60745; może służyć do porównania jednego narzędzia z innym i jako ocena wstępna narażenia na wibracje w trakcie używania narzędzia do wymienionych zadań

- używanie narzędzia do innych zadań, lub z innymi albo źle utrzymanymi akcesoriami, może znacząco zwiększyć poziom narażenia
- przypadki, kiedy narzędzie jest wyłączone lub jest czynne, ale aktualnie nie wykonuje zadania, mogą znacząco zmniejszyć poziom narażenia

Należy chronić się przed skutkami wibracji przez konserwację narzędzia i jego akcesoriów, zakładanie rękawic i właściwą organizację pracy

### Cechy

#### Rys. 1

1. Włącznik
2. Regulator prędkości obrotów
3. Uchwyt w kształcie U
4. Uchwyt do tarczy
5. Blokada wrzeciona
6. Blokada przełącznika

## 2. INSTRUKCJE BEZPIECZEŃSTWA

### Objaśnienie symboli



*W razie nie przestrzegania danej instrukcji obsługi może powstać ryzyko zranienia oraz zginienia personelu lub uszkodzenia narzędzia.*



*Wskazuje na niebezpieczeństwo porażenia prądem elektrycznym.*



*Blokady wrzeciona wolno używać tylko po zatrzymaniu urządzenia.*



*Obserwatorzy powinni się znajdować w oddaleniu.*



*Nosić okulary ochronne oraz ochraniać uszy.*



*Nosić rękawiczki ochronne.*



*Regulacja zmiennej prędkości*

### Ostrzeżenia dotyczące szlifowania, polerowania szczotką drucianą lub polerowania:

- To elektronarzędzie jest przeznaczone do użytku jako szlifierka, szczotka druciana lub polerka. Przeczytaj wszystkie ostrzeżenia, instrukcje oraz zapoznaj się z ilustracjami dołączonymi do tego elektronarzędzia. Nieprzestrzeganie wszystkich umieszczonych poniżej instrukcji może spowodować porażenie prądem, wybuch pożaru i/lub poważne obrażenia.
- Operacje takie, jak ścieranie lub odcinanie nie są zalecane dla tego elektronarzędzia. Wykonywanie czynności, dla których dane narzędzie nie zostało zaprojektowane może powodować zagrożenia i obrażenia fizyczne.
- Nie używać akcesoriów nieprzeznaczonych do tego narzędzia i innych niż zalecane przez producenta narzędzia. Fakt, że akcesorium można podłączyć do narzędzia, nie zapewnia bezpiecznej pracy.
- Znamionowe dopuszczalne obroty akcesorium muszą być co najmniej równe maksymalnym obrotom podanym na narzędziu. Akcesoria pracujące z obrotami przekraczającymi wartość znamionową mogą pęknąć i się rozpaść.
- Zewnętrzna średnica i grubość akcesorium musi mieścić się w znamionowych limitach dla narzędzia. Odpowiednie osłonięcie i kontrolowanie akcesoriów o nieodpowiedniej wielkości jest niemożliwe.
- Rozmiar zaczepów kół, kołnierzy, podkładek i wszelkich innych akcesoriów musi poprawnie pasować do wrzeciona elektronarzędzia. Akcesoria z otworami mocującymi niepasującymi do elementów mocujących

- narzędzia nie będą wyważone podczas pracy, będą nadmiernie drgać i mogą spowodować utratę kontroli nad narzędziem.
- g) Nie używać uszkodzonych akcesoriów. Przed każdym użyciem sprawdź akcesorium, takie jak tarcze ścierne pod względem odłamań i pęknięć; podkładki sprawdź pod względem pęknięć, zerwania lub nadmiernego zużycia; a szczotki druciane pod względem poluzowanych lub pękniętych drutów. Jeśli narzędzie lub akcesorium spadnie, sprawdź czy nie uległo uszkodzeniu lub zamontuj nieuszkodzone akcesorium. Po sprawdzeniu i zamontowaniu akcesorium, stań z dala płaszczyzny obrotów obrotowego akcesorium i nakaż to samo osobom postronnym po czym uruchom narzędzie i pozwól by pracowało z maksymalnymi obrotami bez obciążenia przez minutę. Uszkodzone akcesoria zwykle pękają podczas takiego testu.
- h) Korzystaj ze środków ochrony osobistej w zależności od rodzaju pracy, używaj tarczy chroniącej twarz, okularów lub gogli ochronnych. W zależności od potrzeb, noś maskę przeciwpyłową, ochronniki słuchu, rękawice i fartuch roboczy zatrzymujący drobne fragmenty elementów ściernych lub obrabianego przedmiotu. Środki ochrony wzroku muszą być w stanie zatrzymać latające fragmenty powstające podczas różnych czynności. Maskę przeciwpyłową lub maskę oddechową musi być w stanie filtrować cząstki powstające podczas pracy. Przedłużone narażenie na działanie hałasu o wysokim natężeniu może spowodować utratę słuchu.
- i) Osoby postronne muszą znajdować się w bezpiecznej odległości od miejsca pracy. Każda osoba wchodząca w obszar pracy musi nosić środki ochrony osobistej. Fragmenty obrabianego przedmiotu lub pękniętego akcesorium mogą zostać wyrzucone w powietrze i spowodować uszkodzenia poza bezpośrednim miejscem pracy.
- j) Trzymaj elektronarzędzie tylko za izolowane powierzchnie chwytania przeprowadzając pracę, podczas której osprzęt tnący może zetknąć się z ukrytymi przewodami lub przewodem urządzenia. Zetknięcie się osprzętu tnącego z przewodem pod napięciem może sprawić, że metalowe części narzędzia również znajdą się pod napięciem i spowodować porażenie prądem operatora.
- k) Umieść przewód z dala obrotowych akcesoriów. W przypadku utraty kontroli, przewód może zostać przecięty lub pochwyciony a dłoń lub ręka może zostać wciągnięta w obrotowe akcesorium.
- l) Nigdy nie odkładaj narzędzia, zanim się ono całkowicie nie zatrzyma. Obrotowe akcesorium może pochwycić powierzchnię, wyrwać narzędzie z rąk i doprowadzić do utraty kontroli.
- m) Nie noś włączonego narzędzia przy sobie. Przypadkowy kontakt z obrotowym akcesorium może doprowadzić do pochwycenia ubrania i uderzenia narzędzia w ciało.
- n) Regularnie oczyszczaj otwory wentylacyjne narzędzia. Wentylator wciąga pył i kurz do obudowy a nadmierne nagromadzenie metalowego pyłu może prowadzić do zagrożeń elektrycznych.
- o) Nie pracuj narzędziem w pobliżu materiałów łatwopalnych, ani go w takich miejscach nie uruchamiaj. Iskry mogą zapalić takie materiały.
- p) Nie używać akcesoriów wymagających cieczy chłodzących. Użycie wody lub innej cieczy chłodzącej może prowadzić do porażenia prądem.

#### **Ostrzeżenia dotyczące odrzutu itp.**

Odrzut definiujemy tutaj jako nagłą reakcją narzędzia na pochwycenie lub zaczepienie obrotową tarczą, podkładką, szczotką lub innym akcesorium. Pochwycenie lub zaczepienie powoduje szybkie utknięcie obrotowego akcesorium, które z kolei prowadzi do niekontrolowanego wymuszonego ruchu narzędzia w kierunku przeciwnym do kierunku obrotów akcesorium w punkcie połączenia. Na przykład, jeśli tarcza ścierna zostanie pochwyciona lub zaczepiona o obrabiany materiał, krawędź tarczy zbliżająca się do punktu zaczepienia może zagłębić się w powierzchnię materiału powodując wysunięcie się lub odbicie tarczy. Tarcza może albo skoczyć do przodu albo od operatora, w zależności od kierunku obrotów tarczy w punkcie pochwycenia. Tarcze ścierne w takich warunkach mogą również pęknąć. Odrzut (odbicie) jest rezultatem błędnego lub niezgodnego z przeznaczeniem użycia narzędzia lub jego użycia w nieodpowiednich warunkach i można go uniknąć zachowując poniższe środki ostrożności.



- a) Trzymaj narzędzie mocno i ustaw ciało i rękę tak, aby móc stawić czoło sile odrzutu. Zawsze używaj pomocniczego uchwytu, jeśli jest dostępny, aby zachować maksymalną kontrolę nad odrzutem lub momentem obrotowym podczas uruchamiania. Operator może kontrolować reakcje momentu obrotowego lub siły odrzutu, jeśli będzie przestrzegać odpowiednich środków ostrożności.
- b) Nigdy nie zbliżaj rąk do obrotowych akcesoriów. Może dojść do odbicia akcesorium i jego uderzenia w rękę.
- c) Nie umieszczaj ciała w obszarze, w który przemieści się narzędzie w przypadku wystąpienia odrzutu. Siła odrzutu przesunie narzędzie w kierunku przeciwnym do kierunku obrotów tarczy w punkcie zaczepienia.
- d) Zachowaj szczególną ostrożność podczas pracy z ostrymi krawędziami, zagięciami itp. Unikaj odbijania i zaczepiania akcesorium. Rogi, ostre krawędzie lub odbijanie często prowadzą do zaczepienia obrotowym akcesorium i utraty kontroli nad narzędziem lub odrzutu.
- e) Nie podłączaj brzeszczota piły łańcuchowej do wycinania w drewnie ani zębatego brzeszczota. Takie brzeszczoty często prowadzą do odrzutu i utraty kontroli.

### Specyficzne przepisy bezpieczeństwa

- Sprawdźcie czy prędkość maksymalna oznaczona na tarczy szlifierskiej odpowiada prędkości maksymalnej szlifierki. Prędkość szlifierki nie powinna przekraczać wielkość oznaczoną na tarczy szlifierskiej.
- Przekonajcie się o tym, że rozmiary tarczy szlifierskiej odpowiadają specyfikacjom szlifierki.
- Przekonajcie się o tym, że tarcza szlifierska została zainstalowana oraz przymocowana w należyty sposób. Nie używajcie pierścieni redukcyjnych lub adapterów do dopasowania tarczy szlifierskiej.
- Traktować oraz przechowywać tarcze szlifierskie zgodnie z przepisami dostawcy.
- Nie używajcie szlifierki do szlifowania półfabrykatów maksymalnej grubości przekraczającej maksymalną głębokość tarczy szlifierskiej.
- Nie używajcie tarcz szlifierskich do usunięcia zadziorów.
- Kiedy tarcze szlifierskie powinny być zainstalowane na gwint wrzeciona należy przekonać się czy wrzeciono ma dostateczny gwint. Przekonajcie się, że wrzeciono jest dość zabezpieczone oraz nie ma kontaktu z tarczą szlifierską.
- Przed użyciem należy sprawdzić tarczę szlifierską czy nie ma jakiś uszkodzeń. Nie należy używać tarcze szlifierskie z pęknięciami, wylomami lub innymi uszkodzeniami.
- Przed użyciem szlifierki jej trzeba pozwolić popracować w ciągu 30 sekund na biegu jałowym. W razie powstania nienormalnych drgań lub innych defektów szlifierka powinna być natychmiast wyłączona. Przed ponownym włączeniem szlifierki trzeba dokładnie sprawdzić szlifierkę oraz tarczę szlifierską.
- Należy się przekonać, że iskry nie narażają ludzi na niebezpieczeństwo lub nie mają kontaktu z substancjami łatwopalnymi.
- Przekonajcie się, że półfabrykat jest dość mocno podtrzymywany lub zaciśnięty. Rękę należy trzymać w oddaleniu od powierzchni, żeby uniknąć skaleczenia.
- Zawsze należy nosić okulary ochronne oraz uważać ochronę organów słuchu. Jeżeli macie zczenie lub też jest taka konieczność możecie wykorzystywać ochronę innego rodzaju na przykład respirator, rękawiczki ochronne, fartuch lub hełm.
- Trzeba zapewnić, żeby zainstalowane koła oraz znaki zostały dopasowane zgodnie z przepisami wytwórcy.
- Zapewnienie, żeby suszka została wykorzystywana kiedy ona jest zaopatrzona w skleiony product ścierny oraz kiedy jest potrzebna.
- Jeżeli razem z narzędziem jest dostarczany bezpiecznik nigdy nie używajcie to narzędzie bez tego bezpiecznika.
- Co się tyczy narzędzia przeznaczonego do dopasowania z otworem gwintowym koła, przekonajcie się czy gwint w kole jest dość długi żeby odpowiadał długości wrzeciona.
- Przekonajcie się, że pod czas pracy w warunkach zakurzenia otwory wentylacyjne są utrzymywane w stanie czystym. Jeżeli powstanie potrzeba oczyszczenia kurzu, najpierw jest niezbęne odłączyć narzędzie od głównego przewodu zasilającego (w tym celu nie używajcie rzeczy metalicznych) oraz

unikajcie uszkodzenia części wewnętrznych.

- Pod czas pracy ze szlifierką zawsze mocno trzymajcie ją dwoma rękami oraz trzymajcie szlifierkę w bezpiecznej pozycji.

Maszynę wyłącz natychmiast w przypadku:

- Nadmiernego iskrzenia się szczotek węglowych i pojawienia się ognia w kolektorze
- Uszkodzenia wtyczki, kabla sieciowego lub kabla maszyny
- Uszkodzenia włącznika
- Pojawienia się dymu i smrodu spalonej izolacji

### Bezpieczeństwo związane z elektryczną ością

Pod czas wykorzystania urządzenia elektrycznego należy zawsze przestrzegać odpowiednie przepisy bezpieczeństwa, które są ważne w Waszym kraju w celu zmniejszenia ryzyka pożaru, porażenia prądem elektrycznym oraz zranienia personelu.



*Sprawdzić, czy napięcie sieciowe jest zgodne z parametrami na tabliczce znamionowej.*



*II klasy – Izolacja podwójna – Wasze gniazdo nie potrzebuje uziemienia.*

### Wymiana przewodów lub wtyczek

Jeśli przewód sieciowy zostanie uszkodzony, należy go wymienić na specjalny przewód sieciowy dostępny u producenta lub w jego dziale obsługi klienta. Wyrzuć stare przewody i wtyczki zaraz po ich wymianie na nowe. Niebezpieczne jest wkładanie do gniazdka wtyczki przewodu, który nie jest podłączony do urządzenia.

### W przypadku zastosowania przedłużacza

Należy stosować odpowiednie przedłużacze przystosowane do mocy urządzenia. Żyły takiego kabla muszą mieć minimalny przekrój 1,5 mm<sup>2</sup>. Jeśli kabel przedłużający jest nawinięty na bęben, należy go całkowicie rozwinąć.

## 3. MONTAŻ



*Przed zamontowaniem jakichkolwiek akcesoriów zawsze odłączaj narzędzie od zasilania.*

### Montaż uchwytu

#### Rys. 2

Uchwyt może być stosowany przez osoby praworęczne i leworęczne:

- Zamontuj uchwyt tak, aby otwory na uchwycie były dopasowane do otworów na śruby w narzędziu.
- Przykręć uchwyt śrubami używając klucza sześciokątnego.

### Montaż akcesoriów

#### Rys. 3

- Wciśnij blokadę wrzeciona
- Wkręć do końca uchwyt tarczy na wrzeciono
- Wciśnij blokadę wrzeciona
- Zamontuj tarczę polerską (4) na uchwycie (5).

### Akcesoria

#### Rys. 4

#### Tarcza polerska (3)

W połączeniu z tarczą z włókna stosowana do polerowania na wysoki połysk i woskowania.

#### Welniana tarcza polerska (4)

Stosowana do wykańczania na wysoki połysk.

## 4. UŻYTKOWANIE



*Zawsze przestrzegaj instrukcji bezpieczeństwa i odpowiednich przepisów.*

- Trzymaj maszynę z dala od obrabianego przedmiotu podczas jej włączania i wyłączania.
- Zawsze najpierw wyłącz maszynę po pracy przed wyjęciem wtyczki z gniazdka zasilania.

### Regulacja prędkości

#### Rys. 5

Prędkość obrotów tarczy można kontrolować pokrętkiem na górze uchwytu.

Im wyższe położenie tym większa prędkość. W przypadku stosowania wosku i polerowania nie rozpoczynać pracy narzędziem z wysoką prędkością.

## Włączenie ON/OFF

### Rys. 6

- To urządzenie jest wyposażone w przełącznik bezpieczeństwa.
- Uruchomić urządzenie przez wciśnięcie przycisku zwolnienia blokady dla zwolnienia przełącznika) i włączenie przełącznika.

## Wyłączenie

Zwolnij wyłącznik.



*Polerka będzie pracować dalej po wyłączeniu.*

Odkładaj maszynę dopiero po całkowitym zatrzymaniu obrotów silnika. Nie kładź maszyny na powierzchni zapyłonej lub zakurzonej. Kurz lub pył może dostawać się do wnętrza maszyny.



*Nigdy nie używaj pokrętle/kłucza wrzeczona do zatrzymania obrotów silnika.*

## 5. SERWIS I KONSERWACJA



*Zapewnij by maszyna nie była podłączona do zasilania podczas przeprowadzania prac konserwacyjnych silnika.*

Ta maszyna jest przeznaczona do pracy przez długi okres przy minimalnej konserwacji.

Nieprzerwana zadowalająca praca zależy od odpowiedniego obchodzenia się z maszyną i regularnego czyszczenia



*Naprawy i serwisowanie powinny być przeprowadzane jedynie przez wykwalifikowanych techników lub firmę serwisową.*

## Czyszczenie

Utrzymuj szczeliny wentylacyjne maszyny w czystości, aby zapobiec przegrzewaniu silnika. Regularnie czyść obudowę maszyny miękką szmatką, najlepiej po każdym użyciu. Szczeliny wentylacyjne należy oczyszczać z kurzu, pyłu i zabrudzeń. Jeśli brud nie daje się usunąć, użyj miękkiej szmatki zwilżonej wodą z mydłem. Nigdy nie używaj rozpuszczalników takich jak benzyna, alkohol, woda amoniakalna itp. Te rozpuszczalniki mogą uszkodzić części z tworzyw sztucznych.

## Uszkodzenia

Jeśli dojdzie do usterki, np. z uwagi na zużycie części, proszę skontaktować się z punktem serwisowym pod adresem podanym na karcie gwarancyjnej. Na ostatniej stronie okładki instrukcji widać rysunek pokazujący w powiększeniu części, jakie można zamówić.

## OCHRONA ŚRODOWISKA

Aby zapobiec uszkodzeniom podczas transportu, urządzenie jest dostarczane w wytrzymałym opakowaniu składającym się w większości z materiałów nadających się do ponownego użycia. Proszę skorzystać z możliwości poddania opakowania recyklingowi.



*Uszkodzone lub zużyte urządzenia elektryczne lub elektroniczne należy oddać do odpowiedniego punktu zbiórki.*

## Tylko dla krajów Komisji Europejskiej

Nie wolno wyrzucać elektronarzędzi do domowych śmietników. Zgodnie z Dyrektywą Europejską nr 2012/19/EU dotyczącą Utylizacji Wyposażenia Elektrycznego i Elektronicznego i jej wdrożeniem w krajowe prawo, nieużywane elektronarzędzia należy gromadzić oddzielnie i utylizować w sposób przyjazny dla środowiska.

## GWARANCJA

Warunki gwarancji podane są w załączonej osobnej karcie gwarancyjnej.

**Produkt i podręcznik użytkownika może ulec zmianom. Dane techniczne mogą ulec zmianie bez obowiązku powiadamiania użytkownika.**

## KAMPINIS POLIRUOKLIS 1400W - 180MM

### Dėkojame, kad nusipirkote šį bendrovės Ferm produktą.

Įsigijote puikų gaminį iš vieno geriausių Europos platintojų. Visi bendrovės Ferm tiekiami produktai gaminami prisilaikant griežčiausių technologinių ir saugumo normų. Mūsų komercinės filosofijos dalis yra kokybiškas servisas klientams kompleksinės garantijos pagrindu. Tikimės, kad šis gaminys jums patikimai tarnaus ilgus metus.

### Šiame tekste paminėti skaičiai atitinka 2-3 ;uslapio iliustracijas



*Prieš naudodamiesi prietaisu, atidžiai perskai-tykite šią instrukciją. Įsitinkinkite, kad žinote kaip prietaisas veikia ir kaip juo naudotis. Kad prietaisas veiktų tinkami, eksploatuokite jį pagal instrukcijos nurodymus. Saugokite šią instrukciją ir pridėdamą dokumentaciją kartu su prietaisu.*

### Turinys

1. Įrankio techniniai duomenys
2. Saugos nurodymai
3. Surinkimas
4. Naudojimas
5. Techninis aptarnavimas ir priežiūra

### Įvadas

Šiuo įrankiu griežtai draudžiama dirbti bet kokius kitus darbus, išskyrus poliruoti ir atsargiai šlifuoti.

## 1. ĮRANKIO TECHNINIAI DUOMENYS

### Tehniniai duomenys

Įtampa	230-240 V~
Dažnis	50 Hz
Nominali galia	1400 W
Greitis be apkrovų	1000-3300/min
Disko skersmuo	180 mm
Veleno dydis	M 14
Svoris	3.3 kg
Lpa (garso slėgis)	86+3 dB(A)
Lwa (garso galia)	97+3 dB(A)
Vibracijos dydis	3.51+1.5 m/s <sup>2</sup>

### Vibracijos lygis

Vibracijos sklaidos lygis, nurodytas ant šio instrukcijų vadovo užpakalinio viršelio, išmatuotas pagal standarte EN 60745 išdėstytus standartizuoto bandymo reikalavimus; ši vertė gali būti naudojama vienam įrankiui palyginti su kitu bei išankstiniam vibracijos poveikiui įvertinti, kai įrankis naudojamas paminėtais būdais

- naudojant įrankį kitokiais būdais arba su kitokiais bei netinkamai prižiūrimais priedais, gali žymiai padidėti poveikio lygis
- laikotarpiams, kai įrankis išjungtas arba yra įjungtas, tačiau juo nedirbama, gali žymiai sumažėti poveikio lygis

Apsisaugokite nuo vibracijos poveikio prižiūrėdami įrankį ir jo priedus, laikydami rankas šiltai ir derindami darbo ciklus su pertraukėlėmis

### Pagrindinės dalys

#### 1 Pav.

1. On/off (įjungimo/išjungimo) mygtukas
2. Greičio regulavimo valdiklis
3. U formos rankena
4. Pado laikiklis
5. Veleno fiksatorius
6. Jungiklio fiksatorius

## 2. SAUGOS NURODYMAI

### Instrukcijoje naudojami šie simboliai



*Įspėja apie traumas, mirties ar įrankio sugadinimo pavoj, nesilaikant šios naudojimo instrukcijos.*



*Įspėja apie elektros smūgio pavoj.*



*Veleno blokatorių naudokite tik visiškos įrankio ramybės būsenoje.*



*Pašaliniam laikytis toliau.*



*Naudokite apsauginius akinius ir klausos apsaugos priemones.*



*Užsidėkite apsaugines pirštines.*



*Apsukų reguliatorius*

**Saugos įspėjimai dėl poliravimo ir šlifavimo darbų naudojant šlifavimo diskus ir vielinius šepetėlius**

- a) Šį elektrinį įrankį galima naudoti kaip šlifuoklį (su šlifavimo diskais ir vieliniais šepetėliais) ir poliruoklį. Perskaitykite visus su šiuo elektriniu įrankiu pateiktus saugos įspėjimus, nurodymus, paveikslėlius ir techninius duomenis. Jeigu nesivadovausite visais toliau pateiktais nurodymais, galite gauti elektros smūgį, sukelti gaisrą ir (arba) rimtai susižeisti.
- b) Šiuo elektriniu įrankiu nerekomenduojama atlikti tokių operacijų kaip galandimas arba pjovimas. Atlikti darbus, kuriems daryti elektrinis įrankis nėra skirtas, gali būti pavojinga ir galima susižeisti.
- c) Nenaudokite specialiai nesukurtų ar įrankio gamintojo nerekomenduojamų priedų. Jei priedą galima pritvirtinti prie elektrinio įrankio, tai dar nereiškia, kad jį bus galima saugiai naudoti.
- d) Nominalusis priedo greitis turi būti bent jau lygus didžiausiam greičiui, pažymėtam ant elektrinio įrankio. Priedai, kurių greitis yra didesnis negu nominalusis, gali sulūžti ir nuskrieti.
- e) Priedo išorinis skersmuo ir tankis turi būti elektrinio įrankio galios kategorijos rémuose. Netinkamo dydžio priedų negalima tinkamai apsaugoti ar valdyti.
- f) Diskų veleno angos, flanšų, atraminių pagrindų ar kitų priedų dydis turi tiksliai atitikti elektros įrankio sukį. Priedai, kurių veleno angos netinka prie elektrinio įrankio įrangos, išbalansuos įrankį ir sukels didelę vibraciją, taip pat gali būti kontrolės praradimo priežastimi.
- g) Nenaudokite sugedusių priedų. Kiekvieną kartą prieš naudodami, patikrinkite, ar prieduose, tokiuose, kaip abrazyviniai diskai, nėra įtrūkimų, atplaišų, ar nenusidėvėję, nesuplyšę ir neįtrūko atraminiai pagrindai, ar neatsilaisvino ir neįtrūko laidai. Jei elektrinis įrankis ar jo priedai buvo numesti, patikrinkite, ar nesugedo, jei reikia, sumontuokite nesugedusį priedą. Patikrinę ir sumontavę priedą, pasirūpinkite, kad pašaliniai asmenys ir pats būtumėte atokiau nuo besisukančio priedo sukimosi plokštumos ir paleiskite elektrinį įrankį didžiausiu greičiu be apkrovos maždaug vieną minutę. Patikros metu sugadinti priedai paprastai sulūš.
- h) Dėvėkite asmenines apsaugos priemones. Atsižvelgdami į naudojimo režimą, dėvėkite veido skydelį, apsauginius arba suvirintojų akinius. Jei tinkama, dėvėkite apsaugos nuo dulkių kaukę, ausų apsaugas, pirštines ir darbinę prijuostę, galinčią sustabdyti šlifavimo arba ruošinio daleles. Akių apsauga turi sustabdyti skriejančias nuolaužas atsirandančias darbo metu. Apsaugos nuo dulkių kaukė arba respiratorius turi gebėti filtruoti darbo metu susidarančias daleles. Ilgesnis aukšto intensyvumo triukšmo poveikis gali apkurtinti.
- i) Pašaliniai asmenys turi būti saugiai nutolę nuo darbo vietos. Bet kas, įeinantis į darbo vietą, turi dėvėti asmenines apsaugos priemones. Ruošinio dalelės arba sulūžę priedai gali išlėkti ir sužaloti netgi už darbo vietos ribų.
- j) Dirbdami laikykite elektrinį įrankį tik už izoliuotų rankenų, kadangi pjaunantys priedai gali įpjauti paslėptus laidus ar paties įrankio laidą. Pjaunančiam priedui palietus „gyvą“ laidą, gali „atgyti“ metalinės elektros įrankio dalys, o operatorius gali gauti elektros smūgį.
- k) Laidą padėkite taip, kad jis būtų apsaugotas nuo besisukančių priedų. Praradus įrankio kontrolę, jis gali nupjauti ar įtraukti laidą, o jūsų ranką gali įtraukti į besisukančią priedą.
- l) Niekada nepadėkite elektros įrankio, kol jo priedai visiškai nesustojo. Besisukantis priedas gali įsirežti į paviršius ir prarasite įrankio kontrolę.
- m) Neneškite veikiančio elektrinio įrankio. Dėl netyčinio sąlyčio su besisukančiu priedo įrankis gali užsikabinti už jūsų drabužių ir užkliudyti kūną.
- n) Reguliariai valykite elektrinių įrankių ventiliatorius. Variklio ventiliatorius gali įtraukti dulkes į variklio korpusą, o pernelyg didelė metalo dulkių sankaupa gali sukelti pavojų dėl elektros srovės.
- o) Nedirbkite elektriniu įrankiu šalia degių medžiagų. Kibirkštys gali uždegti šias medžiagas.
- p) Nenaudokite priedų, kuriems būti skysti aušinamieji mišiniai. Vandens ar kitų skystų aušinimo medžiagų naudojimas gali sukelti elektros iškrovą arba smūgį.

### Atatranka ir susiję įspėjimai

Atatranka yra staigi reakcija į įstrigusį ar sugnybtą besisukančią diską, atraminį pagrindą, šepetėlį ar kurį nors kitą priedą. Įstrigimas ar sugnybimas sukelia staigų besisukančio priedo stabdymą, kuris, savo ruožtu, nukreipia nekontroliuojamą elektrinį įrankį priešinga sukimuisi kryptimi, sąlyčio vietoje. Pavyzdžiui, jei abrazyvinis diskas įstrigo arba buvo sugnybtas ruošinyje, disko briauna sugnybimo vietoje gali įsirišti į medžiagą, o diskas gali pakilti arba atsokti. Taip diskas gali šoktelėti operatoriaus link, arba nuo jo, atsižvelgiant į disko judėjimo kryptį sugnybimo metu. Be to, tokiomis sąlygomis gali sulūžti abrazyviniai diskai. Atatranką sukelia netinkamas elektrinio įrankio naudojimas ir (arba) neteisingos naudojimo procedūros arba sąlygos, ir to galima išvengti laikantis toliau pateiktų atsargumo priemonių.

- a) Tvirtai laikykite elektrinį įrankį, o rankas ir kūną atremkite taip, kad atlaikytų atatranką. Norėdami išlaikyti maksimalią atatrankos arba sukimo momento reakcijos kontrolę, naudokite, jei yra, papildomą rankeną. Operatorius gali valdyti sukimo momento reakciją ar atatranką, jei imsis tinkamų atsargumo priemonių.
- b) Niekada nedėkite rankos šalia besisukančio priedo. Priedas gali atsitrenkti į jūsų ranką.
- c) Stenkitės, kad jūsų kūnas nebūtų ten, kur galėtų atsitrenkti elektrinis įrankis, įvykus atatrankai. Atatrankos įrankis pasistūmės kryptimi, priešinga tai, kuria judėjo sugnybimo momentu.
- d) Būkite itin atsargūs dirbdami su kampais, aštriomis briaunomis ir pan. Stenkitės, kad įrankis neatšoktų ir neįstrigtų. Dažniausiai besisukantys priedai įstringa ar atsoka dėl kampų ar aštrių briaunų, taip prarandama įrankio kontrolė arba kyla atatranka.
- e) Nenaudokite grandininio pjūklo medžio drožybos ar dantyto pjūklelio. Tokie pjūkleliai dažnai sukelia atatranką ir įrankio kontrolės praradimą.

### Prieš naudodamiesi prietaisu

- Patikrinkite, ar ant šlifavimo disko nurodytas didžiausias greitis atitinka ant prietaiso nurodytą didžiausią greitį. Prietaiso greitis neturi viršyti ant šlifavimo disko nurodytos vertės.
- Įsitikinkite, kad šlifavimo disko matmenys atitinka prietaiso duomenis.

- Įsitikinkite, kad šlifavimo diskas gerai įstatytas ir priveržtas. Nenaudokite redukcini žiedo ar adapteri, kad šlifavimo diskas tikt.
- Naudokite ir laikykite šlifavimo diskus kaip nurodyta tiekėjo instrukcijoje.
- Su prietaisu nešlifukite detali, kuri storis didesnis už šlifavimo disko didžiausią šlifavimo gylį.
- Diskais nešlifukite atšaiž.
- Montuojant šlifavimo diską ant špindelio sriegio, įsitikinkite, ar ant špindelio užteks sriegio. Įsitikinkite, kad špindelis yra pakankamai apsaugotas ir nesiliečia su šlifuojamu paviršiumi.
- Prieš naudojant patikrinkite, ar šlifavimo diskas nepažeistas. Nenaudokite įtrūkusi, įpjaut ar kitaip pažeist šlifavimo disk.
- Prieš naudojant, leiskite prietaisui bent 30 sekundži veikti tuščia eiga. Pajutus nenormalią vibraciją ar atsiradus kitokiam defektui iš kart išjunkite prietaisą. Atidžiai apžiūrökite prietaisą ir šlifavimo diską prieš vėl įjungdami prietaisą.
- Užtikrinkite, kad kibirkštys nekelt pavojaus aplinkiniams ir nepatekt ant degi medžiag.
- Įsitikinkite, kad ruošinys yra gerai paremtas ar priveržtas. Rankomis nelieskite apdorojamo paviršiaus.
- Visada dövökite apsauginius akinius ir ausines. Jei pageidaujate ar yra reikalaujama naudokite ir kitas apsaugos priemones, pavyzdžiui prijuost' ar šalną.
- Jei prietaisas turi apsauginį gaubtą, niekada jo nenaudokit be šio gaubto.
- Užtikrinkite, kad dulkötoje aplinkoje ventilacijos angos būt atviros. Jei prireikt išvalyti dulkes, pirmiausiai išjunkite prietaisą nuo elektros tinklo (naudokite ne metalinius daiktus), kad nepažeistumöte vidini dali.

Nedelsiant išjunkite įrenginį, jei:

- Pažeistas maitinimo laidas arba jo šakutė;
- Sugedo jungiklis;
- Kibirkščiuoja anglies šepetėliai bei srovės keitiklis;
- Pajutote svylančios izoliacijos dūmų kvapą.

## Elektros sauga

Naudodamiesi elektros prietaisais visada laikykites jūsu šalyje galiojančių darbų saugos taisyklių. Taip sumažinsite gaisro, elektros smūgio ar traumos pavojų. Perskaitykite šias, taip pat ir pridėtas saugos taisykles. Laikykite šią instrukciją saugioje vietoje!



*Visada įsitikinkite, kad elektros šaltinio įtampa atitiktų nurodytą ant prietaiso techninių duomenų lentelės.*



*2 saugos klasės mašina – dviguba izoliacija – Jums nereikės naudoti kištuko su žeminiu.*

## Kabelių ir kištukų keitimas

Pakeistus kabelius ir kištukus, senuosius iš kart išmeskite. Pavojinga į rozetę kišti niekur nepriungto kabelio kištuką.

## Prailgintuvų naudojimas

Naudokite tik prietaiso galingumą atitinkantį prailgintuvą. Mažiausias kabelio skersmuo turi būti 1.5 mm<sup>2</sup>. Naudodami kabelio ritę, pilnai išvyniokite kabelį.

## 3 SURINKIMAS



*Prieš uždedant priedą, visuomet ištraukite įrenginio maitinimo laidą iš elektros tinklo.*

## Rankenos sumontavimas

### 2 Pav.

Rankeną galima pritaikyti ir kairiarankiams, ir dešiniarankiams.

- Rankeną įtaisykite taip, kad joje esančios skylės sutaptų su įrankyje varžtams paliktomis skylėmis.
- Šešiakampiu veržliarakčiu priveržkite rankeną laikančius varžtus.

## Surinkimo priedai

### 3 Pav.

- Paspauskite veleno fiksatorių
- Užsukite ir užveržkite pado laikiklį ant veleno.
- Nuspauskite veleno fiksatorių
- Užmaukite poliravimo padą (4) ant pado laikiklio (5).

## Priedai

### 4 Pav.

#### Poliravimo padas (3)

Šis padas naudojamas kartu su pluoštiniu padu, kai norima, kad nupoliruotas ir nuvaškuotas paviršius itin spindėtų.

#### Vilnonis poliravimo diskas (4)

Šis padas naudojamas tuomet, kai norima gauti itin blizgią apdailą.

## 4. NAUDOJIMAS



*Visuomet vadovaukitės saugos nurodymais ir laikykitės galiojančio reglamento.*

- Įjungdami arba išjungdami įrankį, ruošinį laikykite atokiai nuo įrankio.
- Prieš ištraukiant laidą iš elektros tinklo, visuomet išjunkite mašiną jungikliu.

## Greičio valdymo jungiklis

### 5 Pav.

Disko sukimosi greitį galima reguliuoti rankenos viršuje esančia sukama rankenėle. Kuo aukštesnė skalė, tuo didesnis judesio greitis. Vaškuodami ir poliruodami, nepradėkite nuo didelio greičio.

## Įjungimas ir išjungimas

### 6 Pav.

- Prietaisas turi apsauginį mygtuką.
- Norėdami įjungti prietaisą, paspauskite jungiklio fiksatorių ir įjunkite prietaisą.

## Išjungimas

Atleiskite jungiklį.



*Išjungus šlifuoeklį, jo diskas dar kurį laiką suksis.*

Įrankį padėkite tik tada, kai jo variklis visiškai nustos veikęs. Nedėkite įrankio ant dulkių paviršių. Dulkių dalelės gali patenkti į įrankio vidų.



*Niekada nesinaudokite veleno užraktu norėdami sustabdyti variklį.*



## 5. TECHNINIS APTARNAVIMAS IR PRIEŽIŪRA



*Atliekant variklio techninės priežiūros darbus, įrankis būtinai turi būti išjungtas.*

Šis įrengimas skirtas ilgalaikiam naudojimui minimaliai techniškai jį prižiūrint. Nuolatinis kokybiškas įrenginio darbas priklauso nuo to, ar mašina tinkamai prižiūrima ir reguliariai valoma.



*Remonto ir aptarnavimo darbus gali atlikti tik kvalifikuotas specialistas arba techninio aptarnavimo centro darbuotojas.*

### Valymas

Kad neperkaistų įrenginio variklis, mašinos ventiliacinės angos visuomet turi būti švarios. Reguliariai, pageidautina - po kiekvieno naudojimo, mašinos korpusą nuvalykite švelnia pašluoste. Ventiliacinėse angose niekada neturi būti dulkių bei purvo. Jei purvo nepavyksta išvalyti, suvilgykite švelnią pašluostę muiluotu vandeniu. Niekada nenaudokite tirpiklių, pavyzdžiui, benzino, alkoholio, amoniako tirpalo ir pan. Šie tirpikliai gali apgadinti plastmasines dalis.

### Gedimai

Jei įvyko gedimas, pvz. susidėvėjo kokia nors detalė, prašome kreiptis į techninio aptarnavimo centrą, kurio adresas nurodytas garantinio aptarnavimo talone. Šios instrukcijos gale rasite smulkesnę įrenginio schemą su dalimis, kurias galite užsisakyti.

## APLINKA

Kad išvengti transportavimo defektų, pakuotė yra kieta, didesnė jos dalis pagaminta iš perdirbamos medžiagos. Todėl pakuotę šalinkite tinkamu būdu.



*Sugedusius ir/arba išmestus nereikalingus elektrinius arba elektroninius įrenginius reikia pristatyti į atitinkamą atliekų perdirbimo ir pakartotinio panaudojimo punktą.*

### Skirta tik EB šalims

Neišmeskite elektros įrankių į buitinių atliekų konteinerius. Remiantis Europos elektros ir elektroninės įrangos atliekų gairių direktyva 2012/19/EU ir jos realizavimu tarptautinėje teisėje, ilgiau nenaudojami elektros įrankiai turi būti surenkami atskirai ir išmetami nežalingu aplinkai būdu.

## GARANTIJA

Garantinės sąlygos pateiktos garantinio aptarnavimo talone.

**Produktas ir naudotojo instrukcijos gali būti pakeistos. Specifikacijos gali būti keičiamos be įspėjimo.**

## LENĶA PULĒŠANAS MAŠĪNA 1400W - 180MM

### Paldies, ka iegādājāties "Ferm" precī.

Tagad jums ir izcilas kvalitātes prece, ko piegādājis viens no Eiropas vadošajiem izplatītājiem. Visas "Ferm" piegādātās preces ir ražotas pēc augstākajiem izpildes un drošības standartiem, un saskaņā ar mūsu filozofiju mēs nodrošinām arī lielisku klientu apkalpošanu, kurā ietilpst gadu garantija.

Mēs ceram, ka jūs izbaudīsiet šīs preces lietošanu daudzus, jo daudzus gadus.

### Turpmāk tekstā norādītie numuri attiecas uz 2-3. lpp. redzamajiem zīmējumiem



*Pirms ierīces lietošanas rūpīgi izlasiet ekspluatācijas instrukcijas. Iepazīstieties ar tās funkcijām un darbības pamatprincipiem. Lai nodrošinātu ierīces pareizu darbību, veiciet tās apkopi atbilstoši instrukcijām. Ekspluatācijas instrukcijas un pievienotā dokumentācija jāglabā ierīces tuvumā.*

### Saturs

1. Instrumeta dati
2. Drošības instrukcijas
3. Montāža
4. Izmantošana
5. Apkope un uzturēšana

### Ievads

Jebkāda cita lietošana, izņemot pulēšanu un vieglu slīpēšanu, ir aizliegta.

## 1. INSTRUMENTA DATI

### Tehniskie dati

Spriegums	230-240 V~
Frekvence	50 Hz
Ieejas jauda	1400 W
Tukšgaitas ātrums	1000-3300/min
Diska diametrs	180 mm
Vārpstas izmēri	M 14
Svars	3.3 kg
Lpa (skaņas spiediens)	86+3 dB (A)
Lwa (skaņas jauda)	97+3 dB (A)
Vibrācijas vērtība	3.51+1.5 m/s <sup>2</sup>

### Vibrācijas līmenis

Šīs rokasgrāmatas aizmugurē ar zvaigznīti norādītais vibrācijas emisiju līmenis mērīts, izmantojot standartā EN 60745 paredzēto testu; to var izmantot, lai salīdzinātu instrumentus un provizoriski izvērtētu vibrācijas iedarbību, lietojot instrumentu minētajiem mērķiem

- instrumenta izmantošana citiem mērķiem vai ar citiem vai nepietiekami koptiem piederumiem var ievērojami palielināt iedarbības līmeni
- laika periodi, kad instruments ir izslēgts vai arī ir ieslēgts, taču ar to nestrādā, var ievērojami samazināt iedarbības līmeni

Pasargājiet sevi no vibrācijas ietekmes, veicot instrumenta un tā piederumu tehnisko apkopi, gādājot, lai rokas ir siltas, un organizējot darba gaitu

### Funkcijas

#### Att. 1

1. Ieslēgt/izslēgt slēdzis
2. Ātruma kontrole
3. U-formas rokturis
4. Paliktņa turētājs
5. Vārpstas drošinātājs
6. Slēdža drošinātājs

## 2. DROŠĪBAS INSTRUKCIJAS

Instrukcijaļe naudojami šie simboli



*Instrumenta sabojāšanās un/vai traumu gūšanas, nāves iestāšanās risks šīs instrukcijas norādījumu neievērošanas gadījumā*



*Norāda elektriskās strāvas trieciena draudu bīstamību.*



*Izmantojiet vārpstas bloķēšanu vienīgi dīkstāves režīmā.*



*Nepiederošām personām ieeja aizliegta.*





*Lietojiet aizsargbrilles un prettrokšņa ausiņas.*



*Lietojiet aizsargcimdus.*



*Skaņas jaudas līmenis*

### **Kopējie drošas lietošanas noteikumi slīpēšanai, tīrīšanai ar stieplu suku vai pulēšanai:**

- a) Šo elektroinstrumentu paredzēts, lietot kā slīpēšanas instrumentu, stieplu suku un pulēšanas instrumentu. Izlasiet visus drošas lietošanas noteikumus, instrukcijas, apskatiet attēlus un specifikācijas, kas pievienotas elektroinstrumentam. Neievērojot visas instrukcijas, kas minētas zemāk, var izraisīt elektrošoku, ugunsgrēku un/vai nopietnas traumas.
- b) Nav ieteicams lietot elektroinstrumentu, lai veiktu tādas darbības kā slīpēšanu vai nogriešanu. Veicot darbības, kurām nav paredzēts šis elektroinstrumenta, var apdraudēt vai izraisīt nopietnas traumas.
- c) Nelietojiet piederumus, kurus instrumenta izgatavotājs nav speciāli konstruējis un rekomendējis. Tas, ka piederumu var pievienot jūsu elektroinstrumentam, vēl nenodrošina tā drošu darbināšanu.
- d) Piederuma nominālajam ātrumam jābūt vismaz vienādam ar maksimālo ātrumu, kas norādīts uz instrumenta. Piederumi, kuri griežas ātrāk par tā nominālo ātrumu, var salūzt un aizlidot projām.
- e) Jūsu piederuma ārējā diametram un tā biežumam jāatbilst jūsu instrumenta nominālai jaudai. Nepareizi izvēlēti piederumi nevar tikt adekvāti nodrošināti un vadīti.
- f) Ripu, atloku, pulēšanas disku vai jebkura cita piederuma pievienošanas aploce izmēriem pareizi jāsalāgojas ar instrumenta vārpstu. Piederumi, kuru pievienošanas aploce izmēri nesakrīt ar instrumenta montāžas sēžām, var nonākt debalansa stāvoklī vai pārmērīgi vibrēt un var izraisīt kontroles zaudēšanu.
- g) Nelietojiet bojātus piederumus. Pirms katras lietošanas pārbaudiet piederumu, piemēram, vai slīpripām nav atlūzumu un plaisu, pulēšanas diskam plaisu, ierāvumu vai pārmērīgu izdilušanu,

stieplu birstēm vaļīgās vai nolūzušās stieples. Ja instruments vai piederums ir nokritis, pārbaudiet vai nav bojājumu vai ievietojiet nebojātu piederumu. Pēc pārbaudes un piederuma pievienošanas, ieņemiet tādu savu un blakus esošo cilvēku pozīciju, kas ir ārpus instrumenta rotācijas plaknes, un darbiniet instrumentu vienu minūti tukšgaitā ar maksimāliem apgriezieniem. Bojāti piederumi parasti šāda testa laikā sabrūk.

- h) Nēsājiet personīgo aizsargaprīkojumu. Lietojiet, atkarībā no pielietojuma, sejas aizsargu, aizsargstiklu un aizsargbrilles. Ja nepieciešams, lietojiet putekļu masku, ausu aizsargus, aizsargcimdus un darba priekšautu, kas spēj aizturēt sīkas abrazīvas daļiņas vai apstrādājamā materiāla atlūzas. Acu aizsardzībai jāspēj aizturēt lidojošus būvgružus, kas rodas dažādos darba procesos. Putekļu maskai jāspēj filtrēt daļiņas, kas rodas jūsu darba procesā. Ilgstoša augstas intensitātes skaņas iedarbība var radīt dzirdes zudumu.
- i) Gādājiet, lai nepiederošās personas atrastos drošā attālumā no darba vietas. Jebkuram, kas ienāk darba vietā ir jānēsā personīgais aizsargaprīkojums. Apstrādājamā materiāla atlūza vai salūzis piederums var aizlidot projām un izraisīt traumu ārpus tiešās darba vietas.
- j) Veicot darba operācijas, kur elektroinstrumenta var saskarties ar zemsprieguma vadiem vai ar pievadkabeli, elektroinstrumentu turiet vienīgi aiz izolētiem rokturiem. Griešanas piederums, saskaroties ar "zem sprieguma" esošu vadu, var izraisīt elektroinstrumenta metāla daļu nonākšanu "zem sprieguma" un elektriskās strāvas triecienu operatoram.
- k) Novietojiet pievadvadu attālu no rotējošā piederuma. Ja jūs zaudējat vadību, pievadvads var tikt pārgriezts vai ierauts un jūsu plauksta vai roka var tikt ievilkta rotējošā piederumā.
- l) Nekad nenolieciet elektroinstrumentu, kamēr piederums nav pilnīgi apstājies. Rotējošs piederums var satvert virsmu un aizvilkt elektroinstrumentu ārpus jūsu kontroles.
- m) Nedarbiniet elektroinstrumentu, kamēr jūs to nēsājat pie saviem sāniem. Nejausa saskare ar rotējošu piederumu var izraisīt jūsu drēbju ieraušānu un elektroinstrumenta ievilkšanu jūsu ķermenī.
- n) Regulāri iztīriet elektroinstrumenta gaisa ventilācijas atveres. Motora ventilators var ievilkāt putekļus korpusa iekšienē un pārlieka metalizētu

putekļu koncentrācija var izsaukt elektrisko bīstamību.

- o) Nedarbiniet elektroinstrumentu viegli uzliesmojošu materiālu tuvumā. Dzirksteles var aizdedzināt šos materiālus.
- p) Neizmantojiet piederumus, kuriem nepieciešams šķidrums dzesētājs. Ūdens vai citu dzesēšanas šķidrumu lietošana var novest pie elektrotraumas vai šoka.

### Atsitieni un attiecīgie brīdinājumi

Atsitieni ir pēkšņa reakcija uz rotējošas ripas, pulēšanas ripas, sukas vai jebkura cita piederuma iekļīšanās vai sadursmi. Iekļīšanās vai sadursme izsauc ātru rotējošā piederuma apstāšanos, kas savukārt izraisa nevadāmu elektroinstrumenta rotācijas kustību, pretējā virzienā piederuma rotācijai, attiecībā pret iekļīšanās punktu.

Piemēram, ja abrazīvā ripa ieķeras vai iekļījas apstrādājamā materiālā, ripas mala, kas atrodas iekļīšanās punktā, var ierakties materiāla virsmā izraisot ripas izraušanos vai atsitieni. Ripa var veikt palēcieni vai nu virzienā uz operatora pusi vai projām no tā, atkarībā no ripas kustības virziena saķeres punktā. Šādos apstākļos abrazīvās ripas var arī tikt sagrautas.

Atsitieni ir elektroinstrumenta nepareizas lietošanas un/vai nepareizas darbināšanas procedūru vai apstākļu rezultāts un no tā var izvairīties ievērojot turpmāk dotos attiecīgos norādījumus.

- a) Uzturiet stingru elektroinstrumenta satvērienu un un pozicionējiet savu ķermeni un roku, kas ļauj jums pretoties atsitiena spēkiem. Vienmēr izmantojiet palīgrokturi, ja tas ir paredzēts, lai būtu iespēja maksimāli kontrolēt atsitieni vai reakcijas momentu uzsākšanas brīdī. Operators var pārvaldīt reakcijas momentus vai atsitiena reakcijas, ja iepriekš tiek veikti vajadzīgie piesardzības pasākumi.
- b) Nekad netuviniet savu roku rotējošam piederumam. Piederums var izdarīt atsitieni pār jūsu roku.
- c) Nenovietojiet savu ķermeni pozīcijā, kurā var nokļūt elektroinstrumenta, ja gadās atsitieni. Atsitieni pagriež elektroinstrumentu ripas kustībai pretējā virzienā attiecībā pret iekļīšanās punktu.
- d) Esiet īpaši uzmanīgi apstrādājot stūrus, asas malas utt. Izvairieties no piederuma grūstīšanas un iekļīšanās. Stūriem asām malām vai

grūdieniem ir tendence iekļīēt rotējošu piederumu un izraisīt kontroles zaudēšanu vai atsitieni.

- e) Nepievienojiet kokgrebšanas asmeni ar zāģa ķēdi vai zāģēšanas asmeni zobiem. Šādi asmeņi izraisa biežus atsitieni un kontroles zaudēšanu.

### Drošības instrukcijas

- Pārbaudiet, vai uz slīpriņas norādītais maksimālais ātrums atbilst maksimālajam mašīnas ātrumam. Mašīnas ātrums nedrīkst pārsniegt uz slīpriņas norādīto ātrumu.
- Pārliedzieties, vai slīpriņas izmēri atbilst mašīnas tehniskajiem raksturolielumiem.
- Pārliedzieties, ka slīpriņa uzstādīta un nostiprināta pienācīgā veidā. Neizmantojiet reducējošus gredzenus vai tapņus, lai nodrošinātu pareizu slīpriņas uzstādīšanu.
- Lietojiet un glabājiet slīpriņas atbilstoši piegādātāja instrukcijām.
- Neizmantojiet mašīnu sagatavju slīpēšanai, kuru maksimālais platums pārsniedz maksimālo slīpriņas slīpēšanas dziļumu.
- Neizmantojiet slīpriņas atskabargu noņemšanai.
- Ja nepieciešams slīpriņas uzstādīt uz vārpstas vītnes, pārliedzieties, vai vārpstai ir atbilstoša vītne. Pārliedzieties, vai vārpsta ir pietiekami aizsargāta un neskaras pie slīpējamās virsmas.
- Pirms lietošanas pārbaudiet, vai uz slīpriņas nav kādu bojājumu. Nelietojiet slīpriņas, ja tās ir ieleplisājušas, sagrieztas vai ja tām ir citi bojājumi.
- Pirms lietošanas iedarbiniet mašīnu uz 30 sekundēm tukšgaitā. Ja vērojamas nenormālas vibrācijas vai citi bojājumi, nekavējoties izslēdziet mašīnu. Pirms mašīnas atkārtotas iedarbināšanas uzmanīgi aplūkojiet mašīnu un slīpriņu.
- Pārliedzieties, vai dzirksteles nav bīstamas cilvēkiem un vai tās neskar viegli uzliesmojošas vielas.
- Pārliedzieties, vai sagatave ir pienācīgi atbalstīta vai nostiprināta. Neskarieties ar rokām pie apstrādājamās virsmas.
- Vienmēr lietojiet aizsargbrilles un dzirdes orgānu aizsardzības ierīces. Pēc vēlēšanās, vai vajadzības gadījumā pielietojiet arī citus aizsardzības veidus, piemēram, skoteli vai ķiveri.

- Ja elektriskajā tīklā ir zems spriegums, iekārtas ieslēgšanas brīdī tas var pazemināties vēl vairāk. Tas var iespaidot citas iekārtas (piemēram, indikācijas spuldzītes mirgošana). Šādi traucējumi nav iespējami, ja tīkla prettestība nepārsniedz 0,348 omi. Šaubu gadījumā jākonsultējas ar energoapgādes uzņēmumu.

Nekavējoties izslēdziet ierīci gadījumā, ja ir:

- bojāta elektriskās strāvas tīkla kontaktdakša, tīkla vada vai vada bojājums;
- bojāts slēdzis;
- dzirkstejošana ogleš sukās vai riņķa uguns komutatorā;
- dūmi vai smaka no apsvilušas izolācijas.

### Elektriskā drošība

Lai samazinātu ugunsgrēka izcelšanās, elektriskās strāvas trieciena un individuālās traumas risku, lietojot elektriskās mašīnas, ievērojiet jūsu valstī pielietojamos drošības noteikumus.

Izlasiet zemāk dotās drošības instrukcijas, kā arī pievienotās drošības instrukcijas. Glabājiet šīs



*Vienmēr pārbaudiet, vai elektriskā tīkla parametri vietā, kur tiek pieslēgta iekārta, sakrīt ar parametriem uz iekārtas datu plāksnītes.*



*II klases instruments – dubulta izolācija – kontaktdakša ar iezemījumu nav vajadzīga*

### Kabeļu vai kontaktdakšu nomaiga

Pēc kabeļu vai kontaktdakšu nomaigas, vecie kabeļi un kontaktdakšas nekavējoties jāutilizē. Atsevišķa kabeļa pievienošana elektriskajam tīklam ir bīstama.

### Kabeļu pagarinājumu izmantošana

Jālieto tikai sertificēti kabeļu pagarinātāji, kuru parametri ir piemēroti iekārtas jaudai. Dzīslu diametram jābūt vismaz 1,5 mm<sup>2</sup>. Ja kabeļa pagarinājums ir uzlīts uz spoles, tam jābūt pilnībā izritinātam.

## 3. MONTĀŽA



*Pirms piederumu montāžas, vienmēr izraujiet instrumentu no kontaktdakšas.*

### Roktura montāža

#### Att. 2

Rokturis ir piemērots gan labās, gan kreisās rokas lietošanai.

- Uzstādiet rokturi tā, lai caurumi skrūvēm atbilstu caurumiem uz instrumenta.
- Nostipriniet rokturi ar skrūvēm un sešstūra atslēgu.

### Montāžas piederumi

#### Att. 3

- Piespiediet vārpstas aizturi
- Pieskrūvējiet un nostipriniet paliktņa turētāju uz vārpstas
- Atspiediet vārpstas aizturi
- Uzstādiet pulēšanas paliktņi (4) uz paliktņa turētāja (5).

### Piederumi

#### Att. 4

#### Pulēšanas paliktnis (3)

Šis tiek izmantots augsta spīduma pulēšanai un vaskošanai.

#### Vilnas pulēšanas paliktnis (4)

Šis tiek izmantots augsta spožuma nobeigumam.

## 4. IZMANTOŠANA



*Vienmēr ievērojiet drošības instrukcijas un vadieties pēc piemērotajiem noteikumiem.*

- Turiet instrumentu tālāk no apstrādājamās detaļas, kad to ieslēdzat un izslēdzat.
- Vienmēr pirms izraujat kontaktdakšai no ligzdas, vispirms izslēdziet instrumentu.

### Ātruma kontrolierīce

#### Att. 5

Diska ātrumu var kontrolēt ar rotējošu pogu, kas atrodas roktura augšā.

Jo lielāks stāvoklis, jo lielāks ātrums. Kad uzliekat vasku un pulējat, nesāciet ar lielu ātrumu.

## Ieslēgšana un izslēgšana

### Att. 6

- Šī mašīna ir aprīkota ar drošības slēdzi.
- Iedarbiniet mašīnu nospiežot "lock off" (atslēgšanas) pogu, lai atbrīvotu slēdzi, un ieslēdziet mašīnu.

### Izslēgšana

Atļaidiet slēdzi.



*Pēc tam, kad pulētājs ir izslēgts, tas turpinās darboties.*

Nolieciet instrumentu tikai tad, kad tā motors ir pārstājis griezties. Nenolieciet instrumentu uz putekļainas virsmas. Putekļus daļiņas var iekļūt instrumentā.



*Nekad neizmantojiet vārpsta atslēgu, lai apturētu motora griešanos.*

## 5. APKOPE UN UZTURĒŠANA



*Pārliecinieties, lai instruments nedarbotos, kad veicat motora apkopi.*

Šī mašīna ir izstrādāta, lai darbotos ilgāku laika periodu pie minimālas uzturēšanas. Patstāvīga apmierinoša darbība atkarīga no pienācīgas instrumenta apkopes un regulāras tīrīšanas.



*Remontu un apkopi vajadzētu veikt tikai kvalificētam tehnikam vai apkalpošanas firmai.*

### Tīrīšana

Saglabājiet instrumenta slotus tīrus, lai novērstu dzinēja pārkaršanu. Regulāri tīriet instrumenta korpusu ar mīkstu lupatu, ieteicams pēc katras lietošanas reizes. Attīriet ventilācijas slotus no putekļiem un netīrumiem. Ja netīrumi nemonāk nost, izmantojiet mīkstu lupatu samērcētu ziepjūdenī. Nekad neizmantojiet šķīdinātājus tādus kā benzīns, alkohols, ožamais spirts, u.t.t. Šie šķīdinātāji var sabojāt plastmasas detaļas.

### Defekti

Ja parādās kāds defekts, piem.. pēc daļas nodilšanas, lūzdu sazinieties ar apkalpošanas servisu, kas rakstīts uz garantijas kartes. Šis rokasgrāmatas aizmugurē jūs atradīsiet izvērstu skatu, kurā būs attēlotas daļas, kuras jūs varat pasūtīt.

## APKĀRTĒJĀ VIDE

Lai novērstu bojājumus transportēšanas laikā, instruments tiek piegādāts stingrā iepakojumā, kas pārsvarā sastāv no atkārtoti lietojamiem materiāliem. Tādēļ, lūdzu, liederīgi izmantojiet iepakojuma otrreizējās pārstrādes iespējas.



*Bojātajiem un/vai izbrāķētajiem elektriskajiem vai elektroniskajiem aparātiem jābūt savāktiem attiecīgajās otrreizējās izejvielu pārstrādes vietās.*

### Tikai EK valstīm

Neatbrīvojieties no elektriskiem instrumentiem, izmetot tos mājturības atkritumos. Saskaņā ar Eiropas direktīvu 2012/19/EU par elektrisko un elektronisko iekārtu atkritumiem un tās piemērošanu nacionālajās tiesībās, elektriskos instrumentus, kuri vairs nav izmantojami, ir jāsavāc atsevišķi un no tiem jāatbrīvojas videi draudzīgā veidā.

## GARANTĪJA

Garantijas nosacījumus var atrast atsevišķi pievienotā garantijas kartē.

**Izstrādājums un lietotāja rokasgrāmata var mainīties. Tehniskos datus var mainīt bez iepriekšēja brīdinājuma.**

## NURKPOLEERMASIN 1400W - 180MM

### Suur tänu teile käesoleva Ferm'i toote ostmise eest.

Saite endale Euroopa ühe juhtiva hulgifirma poolt pakutud suurepärase toote.

Kõik Ferm'i tooted, mida teile pakutakse, on valmistatud vastavalt tootlusnormidele ja ohutusstandarditele ning samas pakume ka suurepärasest klienditeenindusest kui meie ettevõtte filosoofia tähtsat osa ja lisaks sellele kaasneb iga tootega garantiiajaga üldkindlustus.

Loodame, et käesoleva toote kasutamine pakub teile meeldivaid elamusi mitmeks aastaks.

### Numbrid järgnevas tekstis viitavad numbritel joonistel, mis asuvad lehtedel 2 ja 3



*Teie enda ja teiste ohutuse tagamiseks soovime teil seda kasutusjuhendit enne sae kasutamist lugeda. Hoidke see kasutusjuhend ja teised saega kaasaskäivad kõrvaldokumendid alles edaspidisteks hinnanguteks.*

### Sisukord

1. Üldandmed
2. Ohutusjuhised
3. Paigaldus
4. Kasutamine
5. Hooldus & Korrasoid

### Sissejuhatus

Igasugune muu kasutamine peale poleerimise ja lihvimise on rangelt keelatud.

## 1. ÜLDANDMED

### Tehnilised üksikasjad

Pinge	230-240 V~
Sagedus	50 Hz
Võimsus	1400 W
Kiirus tühikäigul	1000-3300/min
Ketta läbimõõt	180 mm
Spindle dimension	M 14
Kaal	3.3 kg
Lpa (helirõhk)	86+3 dB(A)
Lwa (helitugevus)	97+3 dB(A)
Vibratsiooni tugevus	3.51+1.5 m/s <sup>2</sup>

### Vibratsioonitase

Käesoleva juhendi tagakaanel nimetatud tekkiva vibratsiooni tase on mõõdetud vastavalt standardis EN 60745 kirjeldatud standarditud testile; seda võib kasutada ühe tööriista võrdlemiseks teisega ja vibratsiooni mõju esialgseks hindamiseks märgitud rakenduste jaoks kasutatavate tööriistade käitamisel

- tööriista kasutamine muudeks rakendusteks või teiste/halvasti hooldatud tarvikute kasutamisel võib ekspositsioonitase märkimisväärselt suurened
- ajal, kui tööriist on väljalülitatud või on küll sisselülitatud, kuid tegelikult seda ei kasutata, võib ekspositsioonitase märkimisväärselt väheneda

Kaitske ennast vibratsiooni toime eest, hooldades tööriista ja selle tarvikuid, hoides oma käed soojad ja organiseerides hästi oma töövõtteid

### Omadused

#### Joonis 1

1. Sisse-,väljalülitamislüliti
2. Kiiruse muutja
3. U-kujuline käepide
4. Padja hoidja
5. Spindililukk
6. Lülitilukk

## 2. OHUTUSJUHISED

### Sümbolite seletus



*Kõik masinaga seotud vigastus-, surmajuhtumite riskid võivad tekkida, kui ei jälgita seda kasutusjuhendit.*



*Elektrilise šoki risk.*



*Kasuta spindililukku ainult paigalseisures.*



*Hoidke pealtvaatajad eemal.*



*Kandke kõrva ja silmadekaitset.*





*Kandke kaitsvaid kindaid.*



Kiiruse reguleerimine.

### **Hoiatused ohutuse tagamiseks lihvimis-, traatharjamis- ja poleerimistöodel:**

- a) Selle elektritööriistaga saab teha lihvimis-, traatharjamis- ja poleerimistöid. Tutvuge kõigi seadmega kaasas olevate juhiste, jooniste, ohutusnõuete ja tehniliste andmetega. Kõigi allpool esitatud juhiste täpne järgimine aitab vältida elektrilöögi, tulekahju ja/või raske kehavigastuse ohtu.
- b) Seda elektritööriista ei soovitata kasutada teritamise- ja lõiketöödeks. Elektritööriista mittesihotstarbeline kasutamine võib põhjustada ohte ja kehavigastusi.
- c) Ärge kasutage tarvikuid, mida tööriista tootja pole soovitanud ja mis pole välja töötatud spetsiaalselt selle tööriistaga kasutamiseks. Võimalus tarvik elektritööriista külge panna ei taga veel turvalisust.
- d) Tarviku nimikiirus peab olema vähemalt võrdne elektritööriistale märgitud maksimumkiirusega. Nimikiirusest kiiremini töötavad tarvikud võivad puruneda ja tükkideks laguneda.
- e) Tarviku välisläbimõõt ja paksus peavad jääma elektritööriista tehnilistes andmetes ettenähtud piiridesse. Vale suurusega tarvikuid ei saa piisavalt turvata ega valitseda.
- f) Ketaste, äärikute, tugiplaatide jm tarvikute võlli kaliiber peab sobituma elektritööriista spindliga. Tarvikud, mille võlli kaliiber ei vasta elektritööriista paigaldussüsteemile, satuvad tasakaalust välja, vibreerivad liigselt ja võivad põhjustada kontrolli kadumise tööriista üle.
- g) Ärge kasutage vigaseid tarvikuid. Enne iga kasutuskorda kontrollige tarvikuid, veendudes, et lihvketastel ei ole täkkeid ega pragusid, et tugiplaat poleks pragunenud, rebenenud või ülemäära kulunud, et traatharjal poleks lahtiseid või lõhenenud traate. Elektritööriista või tarviku mahapillamisel kontrollige, kas see jäi terveks, või paigaldage defektideta tarvik. Pärast tarviku kontrollimist ja paigaldamist seiske ise ja suunake ka juuresviibijad eemale pöörleva tarviku liikumistrajektoorist ning lülitage elektritööriist üheks minutiks tühikäigul maksimaalsel kiirusel sisse. Üldjuhul lähevad vigased tarvikud proovimise käigus katki.
- h) Kasutage kaitsevarustust. Olenevalt tööst kasutage näokaitset või kaitseprille. Kandke vastavalt vajadusele tolumumaski, kõrvaklappe, kindaid ja tööpõlle, mis peavad kinni abrasiivi või töödeldava detaili pisiosakesi. Silmade kaitseks kasutatav vahend peab takistama erinevate tööde käigus õhku paiskuvat prügisattumist silma. Tolmumask või respiraator peab suutma töö käigus tekkivad osakesed välja filtreerida. Pikaajaline viibimine tugeva müra käes võib kahjustada kõrvakuulmist.
- i) Hoidke kõrvalseisjad tööpiirkonnast ohutuskauguses. Kõik tööpiirkonnas viibivad isikud peavad kasutama kaitsevarustust. Töödeldava detaili või purunenud tarviku tükid võivad lendu pääseda ja tekitada kahjustusi ka vahetust tööpiirkonnast kaugemal.
- j) Kui on oht, et lõikeotsik võib töö käigus varjatud juhtmete või masina enda juhtme vastu puutuda, tuleb elektritööriista hoida vaid isoleeritud haardepindadest. Kui lõikeotsik puutub vastu voolu all olevat juhet, võivad elektritööriista katmata metallosad voolu alla sattuda ja anda seadme käsitsejale elektrilöögi.
- k) Paigutage juhe pöörlevast tarvikust eemale. Kontrolli kadumisel võib tarvik juhtme läbi lõigata või sellesse takerduda ning kaelaba või käsivars võib tõmbejõu mõjul vastu pöörlevat tarvikut paiskuda.
- l) Ärge toetage elektritööriista kunagi maha enne, kui tarvik on täielikult peatunud. Võib juhtuda, et pöörlev tarvik haakub pinna külge ja te ei suuda elektritööriista valitseda.
- m) Ärge kandke töötavat elektritööriista. Kogemata pöörleva tarviku vastu puutudes võivad riided selle külge takerduda ja tarviku kasutaja kehasse tõmmata.
- n) Elektritööriista õhuavasid tuleb regulaarselt puhastada. Mootori tiivik tõmbab tolmu korpusesse ja metallipuru liigne kuhjumine võib põhjustada elektriohte.
- o) Ärge kasutage elektritööriista kergestisüttivate materjalide läheduses. Need materjalid võivad sädemetest süttida.
- p) Ärge kasutage tarvikuid, mis vajavad jahutusvedelikku. Vee või mõne muu jahutusvedeliku kasutamisel võite saada elektrilöögi.

### Tagasilöök ja sellega seotud hoiatused

Tagasilöök on ootamatu reaktsioon pöörleva ketta, tugiplaadi, harja või mõne muu tarviku kinnikiilumisele või takerdumisele. Kinnikiilumine või takerdumine põhjustab pöörleva tarviku järsu seiskumise, mille tagajärjel paiskub kontrolli alt väljunud elektritööriist kinnikiilumiskohas tarviku pöörlemisele vastassuunas.

Näiteks kui lihvketas töödeldavasse detaili kiilub või takerdub, võib takerdumiskohta sisenev ketta serv kaevuda materjali pinda, mille tagajärjel ketas üles kerkib või välja tõukub. Olenevalt ketta liikumissuunast pitsuskohas võib ketas jõnksatada kasutaja suunas või temast eemale. Abrasiivkettad võivad nimetatud asjaoludel ka puruneda.

Tagasilöök tekib elektritööriista vale kasutamise ja/või valede töövõtete või -tingimuste tagajärjel ja seda saab vältida nõuetekohaste ettevaatusabinõudega, mis on kirjas allpool.

- a) Hoidke elektritööriista kindlas haardes ning valige selline keha- ja käte asend, mis võimaldab tagasilöögijõule vastu panna. Kasutage alati lisakäepidet, kui see on seadmega kaasas, et suudaksite tagasilööki või käivitumisel esinevat väändereaktsiooni maksimaalselt valitseda. Nõuetekohaseid ettevaatusabinõusid rakendades on seadme kasutajal võimalik väändereaktsioone ja tagasilöögijõudu kontrolli all hoida.
- b) Ärge kunagi asetage kätt pöörleva tarviku lähedusse. Tarvik võib tagasilöögi mõjul vastu kätt paiskuda.
- c) Vältige keha paiknemist piirkonnas, kuhu tööriist tagasilöögi korral paiskub. Tagasilöök paiskab tööriista takerdumispunktis ketta liikumisele vastupidises suunas.
- d) Eriti ettevaatlik tuleb olla nurkade, teravate servade jms ligiduses töötades. Vältige tarviku hüplemist ja takerdumist. Nurkade, teravate servade ja hüplemise tõttu kipub pöörlev tarvik takerduma ja selle tagajärjel võib tekkida tagasilöök või kaduda kontroll tööriista üle.
- e) Ärge ühendage tööriista külge saeketiga puidugraaverimistera ega hambulist saetera. Nende terade kasutamisel tekib tihti tagasilöök ja kaob kontroll tööriista üle.

### Spetsiaalsed ohutusjuhendid

- Kontrollige, et lihvimiskettal olevad maksimaalsed pöörded oleksid vastavuses masinal olevatega. Masina pöörete kiirus ei tohi ületada lihvimiskettal näidatud kiirust.
- Veenduge, et lihvimisketta suurus vastaks masinal olevate piirangutega.
- Veenduge, et lihvimisketas oleks paigaldatud ja kinnitatud korralikult. Ärge kasutage vähendusrõngaid ega adaptereid, et kinnitada korralikult lihvimisketast.
- Säilitage ja käsitlege lihvimiskettaid täites varustaja nõuandeid.
- Ärge kasutage masinat lihvimiseks pindu mille läbimõõt ületab lihvimisketta maksimaalset lihvimisügavust.
- Ärge kasutage lihvimiskettaid löikepinnakidade eemaldamiseks..
- Kui lihvimisketas on asetatud spindli keermele, veenduge, et spindli oleks küllaldaselt keeret.. Veenduge, et spindel on küllaldaselt kaitstud ja ei puuduta lihvimispinda.
- Enne kasutamist uurige lihvimisketast ja veenduge, et see oleks vigadeta. Ärge kasutage lihvimiskettaid, mis on mõradega, räbaldoot või mõnel muul moel vigastatud.
- Enne kasutamist laske masinal töötada ilma tööta 30 sekundit. Koheselt lülitage masin välja, kui peaksid ilmne ebanormaalsed vibratsioonid või mõned muud defektinähud. Hoolikalt uurige masinat ja lihvimiskettaid enne taaskäivitamist.
- Veenduge, et sädemed ei seaks inimesi ohtu või et tekiks kontakti tuleohtlike ainetega.
- Veenduge, et töödetail on korralikult fikseeritud. Hoidke omad käed pindadest, mida lõikate, eemal.
- Kandke alati kaitseprille ja kõrvaklappe. Kui on soovitatav või nõutud, kasutage mõnd muud kaitseriietust, näiteks kaitsepõlle või kiivrit.
- Tagage, et kinnitatud rattad ja punktid oleksid seatud kooskõlas tootja juhistega.
- Tagage, kasutatakse kattematerjali kui nad on koos abrasiivse tootega ja kui neid on vaja.
- Kui kaitse on koos masinaga kaasas, siis ärge kunagi kasutage masinat ilma selleta.
- Masinatele, mis peavad olema seotud keermestatud augu rattaga, veenduge, et ratta keere oleks piisavalt pikk, et aktsepteerida spindli pikkusega.

- Veenduge, et ventilatsioonivad on puhtad töötades tolmustes tingimustes. Kui peaks tekkima vajadus pindu tolmust puhastada, eemaldage masin vooluallikast(kasutage mittemetallist objekte) ning vältige sisemiste osade vigastamist.
- Halbades elektrilistes tingimustes võib esineda lühiajalist pingelangust masina käivitamisel.  
See võib mõjutada teisi seadmeid (nt. vilkuv lamp).Kui üldine takistuse maksimum on väiksem, kui 0.348 Ohm, siis selliseid häireid ei peaks tekkima. (Vajadusel kontakteeruge kohaliku energia hooldajaga saamaks rohkemat informatsiooni.

Lülitage masin koheselt välja juhul, kui:

- Vigane elektripistik, elektriliin või elektriliini vigastus;
- Vigane lüliti;
- Säde süsinikharjastes või tulering kommutaatoris;
- Tossu või vingu eraldumine põlenud isolatsioonist.

### Elektriline ohutus

Kasutades elektrilisi masinaid, jälgige alati ohutusnõudeid, mis vastavad teie riigi regulatsioonidega, et vältida tule, elektrilise šoki ja vigastuste riski. Järgige järgnevaid ning kõrvalolevaid ohutusnõudeid.



*Alati kontrollige, et toiteallika pinge vastaks pingele plaadil.*



*Klass II masin– Topeltisolatsioon– Pole vaja kasutada ühtki maandatud pistikut.*

### Kaablite ja pistikute vahetamine

Koheselt visake vanad kaablid ja pistikud minema, kui nad on asendatud uutega. On ohtlik sisestada lahtise kaabliga pistikut seinä.

### Pikendusjuhtmete kasutamine

Kasutage ainult volitatud pikenduskaablit mis sobib masina sisendvõimsusega. Minimaalne elektrijuhi suurus on 1.5 mm<sup>2</sup>. Kasutades kaablirulli, veeretage rull alati täielikult lahti.

## 3. PAIGALDUS



*Lisaseadmeid paigaldades, eemaldage alati pistik seinast.*

### Käepideme paigaldamine

#### Joonis 2

Käepide on sobiv kasutamiseks nii parema- kui ka vasakukäelistele.

- Paigaldage käepide nii, et kruviaugud sobivad masinal olevatega.
- Pinguldage käepidet poltide ja kuuskantvõtmega.

### Ladumise lisaseadmed

#### Joonis 3

- Vajutage spindli lukku
- Kruvige ja pinguldage padjahoidjat spindlil
- Vajutage spindli lukku
- Paigaldage lihvimispadi (4) padjahoidjale (5).

### Lisaseadmed

#### Joonis 4

#### Lihvimispadi (3)

On see mõeldud kõrge läikega poleerimiseks ja vahatamiseks.

#### Villast lihvimispadi (4)

See on mõeldud kõrge läike saavutamiseks.

## 4. KASUTAMINE



*Alati järgige ohutusjuhiseid ja pidage sobivatest regulatsioonidest kinni.*

- Hoidke masin töödetailist eemal selle sisse- ja väljalülitamisel.
- Alati lülitage masin välja enne pistiku seinast eemaldamist.

### Kiiruse reguleerimine

#### Joonis 5

Ketta kiirust saab muuta pöördenuuga käepidemel. Mida kõrgemal on positsioon, seda suurem on kiirus. Vaha kohaldamisel ja poleerimisel, ärge alustage kohe suure kiirusega.

## Sisse- ja väljalülitamine

### Joonis 6

- Masin on varustatud turvalülitiga.
- Masina käivitamiseks vajutage lukustuse vabastusnupule (nüüd saab sisse/väljalülitit kasutada) ja lülitage masin lülitist sisse.

## Väljalülitamine

Vabastage lüliti.



*Lihvija jätkab nüüd töötamist peale seda kui see on välja lülitatud.*

Pange masin maha kui masin on täielikult pööramise lõppenud. Ärge asetage masinat tolmuale. Tolmuosakesed võivad masinasse tungida.



*Ärge kunagi kasutage spindlilukku mootori seiskamiseks.*

## 5. HOOLDUS & KORRASHOID



*Veenduge, et masin pole vooluvõrgus, kui teostate hooldamistöid mootoril.*

See masin on mõeldud pikaks aja töötamiseks minimaalse hooldusega. Masina pidev rahuldust andev töö sõltub korralikust masinahooldusest ja regulaarsest hooldusest.



*Parandused ja hooldustööd tuleks läbi viia ainult selleks ettenähtud tehnikul või hooldusfirmal.*

## Puhastamine

Hoidke masina ventilatsiooniavad puhtad, et vältida masina ülekuumenemist. Puhastage masina kesta regulaarselt puhta riidega, soovitatavalt peale iga kasutuskorda. Hoidke ventilatsiooniavad puhtad tolmu ja mustusest. Kui mustus ei peaks maha tulema, kasutage puhast riiet, mis on niisutatud seebiveega. Ärge kunagi kasutage lahuseid nagu bensiin, alkohol, ammoniaakvesi jms. Sellised lahused võivad plastikosi kahjustada.

## Rikked

Kui peaks mõni viga ilmneema, kontakteeruge hooldusega, garantiikaardil märgitud aadressil. Selle kasutusjuhendi tagant võite leida osade nimekirja, mida on võimalik tellida.

## KESKKOND

Et vältida kahjustusi transpordi, on aparaat toimetatud kindlas pakendis, mis enamjaolt koosneb korduvkasutatavast materjalist. Seega palun palun kasutage võimalust korduvkasutada pakendit .



*Vigased ja/või eemaldatud elektroonika või elektroonilised osad tuleks kokku koguda sobivasse ümbertöötlemiskohta.*

## Euroopa Ühenduse riigid

Ärge visake elektritööriistu olmeprügi hulka. Vastavalt Euroopa Parlamendi ja nõukogu direktiivile 2012/19/EU elektri- ja elektroonikaseadmete jäätmete kohta ning vastavalt seda direktiivi rakendavatele riiklikele õigusaktidele tuleb kasutuskõlbmatud elektritööriistad koguda teistest jäätmetest eraldi ning kõrvaldada kasutusest keskkonnasõbralikul viisil.

## GARANTII

Garantiikaardi tingimused võib leida eraldi kaasasolevalt garantiikaardilt.

**Toodet ja kasutusjuhendit võidakse muuta. Spetsifikatsioon võidakse muuta ilma eelneva etteteatamiseta.**

## POLIZOR UNGHIULAR 1400W - 180MM

### Vă mulțumim pentru achiziționarea acestui produs Ferm.

Aveți un produs excelent, oferit de unul dintre cei mai buni furnizori din Europa. Toate produsele care vă sunt oferite de Ferm sunt fabricate în acord cu cele mai înalte standarde de performanță și siguranță. Prin filosofia noastră oferim de asemenea servicii excelente pentru clienți, combinate cu garanția de pentru întregul produs. Sperăm că vă veți bucura de utilizarea acestui produs pentru mulți ani de acum încolo.

### Numerele din acest text fac referire la ilustrațiile de la paginile 2-3.



*Citiți instrucțiunile de utilizare cu atenție, înainte de utilizarea acestui aparat. Familiarizați-vă cu funcțiile și utilizarea de bază. Reparați aparatul în acord cu instrucțiunile sale, pentru a asigura că funcționează întotdeauna adecvat. Instrucțiunile de utilizare și documentația însoțitoare trebuie să fie păstrate în apropierea aparatului.*

### Cuprins

1. Date despre aparat
2. Instrucțiuni privind siguranța
3. Asamblare
4. Utilizare
5. Reparaire și întreținere

### Introducere

Se interzice utilizarea în orice alt scop decât lustruirea și șmirgheluirea ușoară.

## 1. DATE DESPRE APARAT

### Specificații tehnice

Voltaj	230-240 V~
Frecvență	50 Hz
Putere consumată	1400 W
Turație fără sarcină	1000-3300/min
Diametru disc	180 mm
Dimensiune ax	M 14
Greutate	3.3 kg
L <sub>pa</sub> (presiune acustică)	86+3 dB(A)
L <sub>wa</sub> (putere acustică)	97+3 dB(A)
Valoare vibrație	3.51+1.5 m/s <sup>2</sup>

### Nivelul vibrațiilor

Nivelul emisiilor de vibrații menționat pe spatele acestui manual de instrucțiuni a fost măsurat în conformitate cu un test standardizat precizat în EN 60745; poate fi folosit pentru a compara o sculă cu alta și ca evaluare preliminară a expunerii la vibrații atunci când folosiți scula pentru aplicații menționate

- utilizarea sculei pentru aplicații diferite sau cu accesorii diferite și prost întreținute poate crește semnificativ nivelul de expunere
- momentele în care scula este oprită sau când funcționează dar nu execută nicio lucrare, pot reduce semnificativ nivelul de expunere

Protejați-vă împotriva efectelor vibrațiilor prin întreținerea sculei și a accesorilor sale, păstrând mâinile calde și organizând procesele de lucru

### Caracteristici

#### Fig. 1

1. Comutator Pornit/Oprit
2. Controlul turației
3. Mâner în formă de U
4. Suportul discului
5. Blocaj ax
6. Blocaj comutator

## 2. INSTRUCȚIUNI PRIVIND SIGURANȚA

### Explicarea simbolurilor



*Indică riscul accidentelor de persoane, periclitării a vieții și eventualei deteriorări a instrumentului în cazul când nu ar fi respectate instrucțiunile din manualul acesta.*



*Indică pericol de șoc electric.*



*Izmanoțiet vârpstas bloķేశanu vienīgi dīkstāves režīmā.*



*Țineți persoane prezente la o distanță potrivită.*





*Purtați mijloace de protecția optică și auditivă.*



*Purtați mănuși de protecție.*



*Controlul vitezei variabile*

**Avertizări comune de siguranță pentru operațiile de șlefuire, finisare cu peria de sârmă sau de polișare:**

- a) Această unealtă electrică este realizată pentru a funcționa ca un aparat de șlefuit, perie de sârmă sau aparat de polișat. Citiți toate avertizările, instrucțiunile și specificațiile furnizate cu această unealtă electrică. Dacă toate instrucțiunile nu sunt respectate poate rezulta un șoc electric, foc și/sau rănire gravă.
- b) Operații precum polizarea sau tăierea nu este recomandat să fie efectuate prin utilizarea acestei unelte. Operațiile pentru care această unealtă electrică nu a fost realizată pot crea un pericol și provoacă rănirea persoanei.
- c) Nu utilizați decât accesorii proiectate și recomandate pentru această sculă electrică de către fabricantul ei. Chiar dacă accesoriul nerecomandat poate fi montat pe mașină, acest fapt nu înseamnă că se poate utiliza în deplină siguranță.
- d) Viteza nominală a accesoriului trebuie să fie cel puțin egală cu viteza maximă înscrisă pe mașină. Accesoriile care se mișcă mai repede decât viteza lor nominală, se pot rupe, și fragmentele lor pot zbura prin aer.
- e) Diametrul exterior și grosimea accesoriului utilizat trebuie să se încadreze în limitele acceptate de această sculă electrică. Accesoriile cu dimensiuni necorespunzătoare nu pot fi dotate cu apărători corespunzătoare și nu pot fi stăpânite în mod corespunzător.
- f) Dimensiunea arborelui roților, flanșelor, suporturilor sau ale oricăror alte accesorii trebuie să se potrivească perfect în axul de antrenare al sculei electrice. Accesoriiile cu arbori cu găuri nepotrivite subansamblului de montare a sculei vor funcționa asimetric sau vor vibra în mod excesiv, ceea ce poate duce la pierderea controlului asupra sculei electrice.
- g) Nu utilizați accesorii deteriorate. Înainte de fiecare utilizare, inspectați accesoriiile cum ar fi discurile abrazive (a.n. flexuri), pentru a descoperi eventualele ciupituri sau crăpături, suporturile, pentru eventualele crăpături sau tociri excesive, peria de sârmă, pentru eventuale sârme slăbite sau deșirate. Dacă scula electrică sau accesoriul a fost scăpat pe jos, inspectați-le, pentru a descoperi eventualele deteriorări, sau instalați un accesoriu în stare perfectă. După ce ați inspectat și ați instalat un accesoriu, poziționați-vă la o distanță convenabilă de planul de rotație al accesoriului respectiv, (cerând asta și celor din jur) și lăsați scula să funcționeze la turația maximă de mers în gol, timp de un minut. În general, accesoriiile defecte se vor sparge în acest răstimp de testare.
- h) Folosiți echipament individual de protecție. În funcție de operațiunea necesară, purtați mască de protecție și ochelari de protecție. Dacă situația o cere, purtați mască antipraf, protecție auditivă, mănuși și un șorț de protecție, care este capabil să oprească micile particule abrazive sau fragmentele de material desprinse de pe piesă. Ochelarii de protecție trebuie să reziste la fragmentele de material care zboară prin aer și care sunt generate de operațiunile de prelucrare. Maska antipraf sau masca respiratorie trebuie să poată filtra particulele de material generate de operațiunea executată. Expunerea prelungită la un zgomot de intensitate ridicată poate duce la pierderea auzului.
- i) Țineți la distanță sigură de locul de muncă pe cei din jur. Toți cei care pășesc în zona de lucru trebuie să poarte echipament individual de protecție. Fragmente din piesa prelucrată sau un accesoriu rupt se pot răspândi prin aer și îi pot răni pe cei din apropierea locului de muncă.
- j) Dacă efectuați o operațiune în care accesoriul de tăiere poate intra în contact cu cabluri ascunse vederii sau cu propriul cablu de alimentare electrică, țineți scula electrică numai de suprafețele izolate. Accesoriul de debitare care intră în contact cu un cablu aflat sub tensiune poate induce curent electric în toate părțile neprotejate ale sculei, ceea ce ar putea duce la electrocutarea operatorului.
- k) Poziționați cablul de alimentare la o distanță sigură față de un accesoriu rotativ. Preîntâmpinați astfel tăierea cablului sau

agățarea lui de brațul Dvs., respectiv forțarea brațului Dvs. către accesoriul aflat în rotație.

- l) Nu lăsați jos niciodată mașina, până când accesoriul montat pe el nu s-a oprit complet din mișcare. Accesoriul rotativ se poate agăța de suprafața de prelucrat și poate smulge mașina din mâna Dvs.
- m) Nu porniți mașina cât timp o cărați cu Dvs. Contactul accidental cu accesoriul rotativ poate duce la agățarea acestuia în hainele Dvs., precum și la penetrarea acestuia în corpul Dvs.
- n) Curățați în mod regulat nișele de ventilație ale sculei. Ventilatorul motorului trage praful în interiorul carcasei și acumularea excesivă de praf metallic duce la creșterea riscului de incendii electrice.
- o) Nu utilizați mașina în apropierea materialelor inflamabile. Scânteele provenite de la partea electrică a mașinii pot aprinde aceste materiale.
- p) Nu utilizați accesoriile care necesită utilizarea lichidelor de răcire. Folosirea apei sau al altor lichide de răcire poate duce la electrocutare.

#### Zmucitura inversă și atenționările conexe cu aceasta

Zmucitura inversă este o reacție instantanee la blocarea în material a unui disc aflat în rotație, al unui suport, al unei perii de sârmă sau al oricărui alt accesoriu. Blocarea discului duce la oprirea rapidă a accesoriului rotativ, care la rândul lui duce la pierderea controlului asupra sculei electrice și la forțarea rotirii acesteia în direcție inversă rotației normale a accesoriului în cauză, în punctul de îmbinare.

De exemplu: dacă discul abraziv s-a blocat în piesa de prelucrat, muchia discului poate penetra mai adânc în suprafața piesei, ducând la ridicarea sau la săritura discului. Discul poate sări spre operator sau dinspre el către ceilalți, totul depinzând de direcția de rotație a discului în momentul blocării lui. În aceste condiții, discurile abrazive se pot chiar rupe.

Zmucitura inversă este rezultatul utilizării incorecte a sculei și/sau ale procedurilor sau condițiilor necorespunzătoare de prelucrare, și poate fi evitată prin respectarea instrucțiunilor de mai jos.

- a) Țineți strâns scula și poziționați-vă corpul astfel încât să rezistați forței zmucituri inverse. Dacă scula este dotată cu mâner auxiliar, utilizați-l întotdeauna, pentru a avea un control

maxim asupra zmucituri inverse sau a momentului de torsiune care apare la pornirea sculei. Dacă s-au luat măsurile de prevenire corespunzătoare, operatorul sculei poate stăpâni momentul de torsiune sau forțele de zmucire inversă.

- b) Nu vă așezați mâna niciodată în apropierea accesoriilor rotative. Accesoriul vă poate lovi mâna.
- c) Așezați-vă corpul într-o poziție în care eventuala zmucitură inversă a sculei nu-l poate afecta. Zmucitura inversă va deplasa scula în direcție inversă rotației discului.
- d) Fiți foarte atenți când prelucrați colțuri și muchii ascuțite etc. Evitați poziția instabilă și agățarea accesoriului. Colțurile, muchiile ascuțite sau îmbinările pot provoca blocarea accesoriilor rotative și pot duce la pierderea controlului asupra sculei sau la zmucituri inverse.
- e) Nu atașați lame de ferăstrău, indiferent de tipul lor. Aceste lame creează des zmucituri inverse și pierderea controlului sculei.

#### Instrucțiuni de securitate speciale

- Verificați că viteza maximă indicată pe discul abraziv corespunde cu viteza maximă a mașinii. Viteza mașinii nu trebuie să depășească valoarea de pe discul abraziv.
- Asigurați-vă că dimensiunile discului abraziv corespund cu specificațiile mașinii.
- Asigurați-vă că discul abraziv a fost montat și strâns în mod adecvat. Nu folosiți reducții sau dispozitive de reducere pentru a fixa discul abraziv corect.
- Discuri abrazive menajați și depozitați conform instrucțiunilor furnizorului.
- Nu folosiți mașina pentru polizarea pieselor de prelucrat cu grosimea maximă care depășește adâncimea maximă de polizare a discului abraziv.
- Nu folosiți discurile de polizare pentru debavurare.
- Atunci când discurile abrazive trebuie montate pe filetul axului, asigurați-vă că axul are filet suficient. Asigurați-vă că axul are protecția suficientă și nu va intra în contact cu suprafața de polizat.
- Înainte de a-l folosi, controlați îndeaproape dacă discul abraziv nu sunt vre-un defect. Nu folosiți discurile abrazive fisurate, sparte sau altfel deteriorate.



- Înainte de a o folosi, lăsați mașina să meargă în gol timp de 30 secunde. În caz de vibrații anormale sau dacă apară vre-un alt defect, opriți imediat mașina. Înainte de a porni mașina din nou, controlați cu grijă și îndeaproape mașina și discul abraziv.
- Asigurați-vă că scânteile nu vor periclita celelalte persoane nici nu intra în contact cu substanțe inflamabile.
- Asigurați-vă că piesa de prelucrat are suporturi sau prinderi suficiente. Nu puneți mâinile pe suprafața care urmează a fi tăiată.
- Purtați întotdeauna căști și alte dispozitive de protecție auditivă, dacă este oportun sau necesar, folosiți și alte dispozitive de protecție ca de exemplu șorț sau cască de protecție.
- Asigurați ca inelele și celelalte piese să fie fixate conform instrucțiunilor producătorului.
- Asigurați ca să fie folosiți stingători de scânteii atunci când sunt livrați cu produsul abraziv combinat și atunci când sunt necesari.
- Dacă dispozitivul de protecție este furnizat cu scula, niciodată nu folosiți scula fără acest dispozitiv de protecție.
- Pentru sculele concepute pentru a fi fixate cu ajutorul inelelor de strângere cu filet interior, asigurați ca filetul în inelul să fie destul de lung în funcție de lungimea axului.
- Atunci când lucrați în mediul cu mult praf, asigurați ca orificiile de ventilație să fie păstrate curate. Dacă va fi necesară desprăfuirea, întâi deconectați scula de priză de curent (folosiți obiecte nemetalice) și evitați deteriorarea părților interioare.
- Atunci când instalația pornește, din cauza condițiilor de rețea poate apărea subtensiune de scurtă durată atunci când instalația pornește. Această poate influența altă instalație (de exemplu clipirea lămpii).  
Dacă impedanța rețelei  $Z_{max} < 0.348 \text{ Ohm}$ , aceste deranjamente sunt imprevizibile.  
(Pentru informații suplimentare în caz de nevoie puteți contacta autoritatea locală de furnizare a energiei electrice.)

Opriți mașina imediat dacă observați:

- Deranjament la fișa sau la cablul de alimentare.
- Întrerupătorul defect.
- Supraîncălzirea ferăstrăului circular.
- Fum sau miros cauzat de izolația arsă.

### Securitate electrică

Folosind mașini electrice, întotdeauna respectați regulamentele de protecție valabile în țara dvs. pentru a reduce riscul incendiului, electrocutării și accidentelor personale. Citiți următoarele instrucțiuni de securitate și de asemenea instrucțiunile de securitate atașate.



*Întotdeauna controlați dacă voltajul rețelei de alimentare corespunde cu voltajul indicat pe tăblița cu valori.*



*Aparatul de clasa II – Izolație dublă – Nu este necesară ștecher de curent cu contact izolat.*

### Înlocuirea cablurilor sau fișelor

Aruncați cablurile sau fișele imediat după ce le ați înlocuit cu cele noi. Este periculos să puneți ștecher unui cablu necunoscut în priză de perete.

### Utilizarea cablurilor de prelungire

Utilizați numai cablu aprobat și potrivit pentru puterea absorbită a mașinii. Conductorul trebuie să fie minim de 1,5 mm<sup>2</sup>. Dacă folosiți cablul înfășurat, întotdeauna îl desfășurați complet.

## 3. ASAMBLARE



*Scoateți aparatul din priză de fiecare dată când montați un accesoriu.*

### Asamblarea mânerului

#### Fig. 2

Mânerul poate fi folosit atât de dreptaci, cât și de stângaci.

- Montați mânerul astfel încât orificiile să se suprapună cu orificiile pentru șuruburi ale aparatului.
- Strângeți mânerul folosind șuruburile și cheia hexagonală.

### Asamblarea accesoriilor

#### Fig. 3

- Apăsăți blocajul axului
- Înșurubați și strângeți suportul discului pe ax
- Apăsăți blocajul axului
- Montați discul de polizare (4) pe suportul discului (5).

**Accesorii****Fig. 4****Disc de lustruire (3)**

Acesta este folosit pentru lustruirea și ceruirea obiectelor foarte lucioase.

**Disc de lustruire din lână (4)**

Acesta este folosit pentru a conferi un luciu puternic.

**4. UTILIZARE**

*Respectați instrucțiunile privind siguranța și reglementările în vigoare.*

- Țineți aparatul la distanță de piesa prelucrată la pornire și la oprire.
- Opriti aparatul înainte de a-l deconecta de la priză.

**Controlul turației****Fig. 5**

Turația discului poate fi controlată folosind butonul rotativ din partea superioară a mânerului.

Cu cât poziția este mai mare, cu atât turația crește. Când aplicați ceara și lustruiți, nu folosiți de la început o turație înaltă.

**Pornirea și oprirea****Fig. 6**

- Aceasta mașina este dotată cu întrerupătorul de siguranță.
- Faceți start prin apăsarea butonului "de dezăvorire" (pentru a debloca întrerupătorul) și pornirea mașinii.

**Oprirea**

Eliberați comutatorul.



*Discul polizorului va continua să se rotească după oprire.*

Lăsați aparatul din mână numai după ce motorul s-a oprit complet. Nu așezați aparatul pe suprafețe prafoase. Particulele de praf pot să intre în aparat.



*Nu folosiți cheia de ax pentru a opri motorul din rotire.*

**5. REPARAȚII ȘI ÎNTREȚINERE**

*Asigurați-vă că aparatul nu este conectat la priză când efectuați lucrări de întreținere.*

Acest aparat a fost proiectat pentru a funcționa perioade lungi de timp cu un minim de întreținere. Funcționarea corectă pe perioade lungi de timp depinde de îngrijirea corectă și curățarea regulată a aparatului.



*Reparațiile trebuie efectuate numai de un tehnician specializat sau de o firmă de service.*

**Curățare**

Mețineți orificiile de ventilare curate pentru a preveni supraîncălzirea aparatului. Curățați regulat carcasa aparatului folosind o cârpă moale, preferabil după fiecare utilizare. Nu permiteți acumularea prafului și murdăriei în orificiile de ventilare. Dacă murdăria nu se curăță, folosiți o cârpă fină îmbibată în apă cu săpun. Nu folosiți niciodată solvenți precum petrol, alcool, amoniac, etc. Aceștia pot deteriora componentele din plastic.

**Defecțiuni**

În cazul apariției unei defecțiuni, e.g. uzarea unei piese, contactați furnizorul de service specificat în certificatul de garanție. La sfârșitul acestui manual găsiți o schiță a aparatului cu toate componentele care pot fi comandate.

**MEDIU**

Pentru a preveni deteriorarea în timpul transportului, aparatul este livrat într-un ambalaj care constă în mare parte din materiale reutilizabile. Reciclați ambalajul aparatului.



*Aparatele electrice sau electronice stricate și/sau care nu mai sunt folosite trebuie depozitate în locațiile speciale pentru reciclare.*

**Numai pentru țările din CE**

Nu aruncați echipamentele acționate electric împreună cu gunoiul menajer. Conform Indicației europene 2012/19/EU pentru echipamente electrice și electronice uzate și a implementării sale la nivel național, echipamentele acționate electric scoase din uz trebuie colectate separat și evacuate într-o manieră ecologică.

**GARANȚIE**

Condițiile acordării garanției pot fi găsite în certificatul de garanție atașat separat.

Produsul și manualul de utilizare pot suferi modificări. Specificațiile se pot modifica fără notificare.

**KUTNA BRUSILICA ZA POLIRANJE  
1400W - 180MM****Zahvaljujemo na kupnji ovog Ferm proizvoda.**

Njime ste si sigurali izvrstan proizvod koji vam pruža jedan od europskih vodećih dobavljača. Svi proizvodi koje Vam je isporučio Ferm proizvedeni su prema najvišim izvedbenim i sigurnosnim standardima. Kao dio naše filozofije također pružamo izvrsnu podršku klijentima, koji podržava naše opsežno jamstvo. Nadamo se da ćete uživati u korištenju ovog proizvoda još mnogo godina.

**Brojke u tekstu odnose se na crteže na stranicama 2-3.**

*Prije upotrebe ovog uređaja pažljivo pročitajte upute za korištenje. Upoznajte se s njegovim funkcijama i osnovnim radnjama. Uređaj servisirajte u skladu s uputama kako biste osigurali njegovo ispravno funkcioniranje. Upute za rukovanje i priložena dokumentacija moraju se čuvati u blizini uređaja.*

**Sadržaj**

1. Podaci o uređaju
2. Sigurnosne upute
3. Sastavljanje
4. Uporaba
5. Servis & održavanje

**Uvod**

Bilo koja uporaba, osim poliranja i laganog brušenja je izričito zabranjena.

**1. PODACI O UREĐAJU****Tehničke specifikacije**

Napon	230-240 V~
Frekvencija	50 Hz
Ulazna snaga	1400 W
Brzina bez opterećenja	1000-3300/min
Promjer diska	180 mm
Veličina vretena	M 14
Težina	3.3 kg
Lpa (zvučni tlak)	86+3 dB(A)
Lwa (snaga zvuka)	97+3 dB(A)
Vrijednost vibracije	3.51+1.5 m/s <sup>2</sup>

### Razina vibracija

Razina emitiranja vibracija navedena na poledini ovog naputka za uporabu izmjerena je sukladno normiranom testu danom u EN 60745; ona se može koristiti za usporedbu jedne alatke s drugom, te preliminarnu procjenu izloženosti vibracijama pri uporabi alatke za navedene namjene

- uporaba ove alatke za druge namjene ili s drugim ili slabo održanim nastavcima, može u značajnoj mjeri uvećati razinu izloženosti
- vrijeme tokom kojega je alatka isključena, ili je uključena ali se njome ne radi, može značajno umanjiti razinu izloženosti

Zaštite se od posljedica vibracija održavanjem alatke i njezinih nastavaka, održavanjem Vaših ruku toplima, te organiziranjem Vaših obrazaca rada

### Obilježja

#### Slika 1

1. Sklopka za uključivanje/isključivanje
2. Regulator brzine
3. Ručka u obliku slova U
4. Držać podloška
5. Zapor vretena
6. Zapor sklopke
7. Indikator ugljenih četkica

## 2. SIGURNOSNE UPUTE

### Objašnjenje simbola



*Označava opasnost od ozljeda, gubitka života ili oštećivanja stroja u slučaju nepridržavanja naputaka navedenih u ovom priručniku.*



*Ukazuje na opasnost od električnog udara.*



*Opasnost od požara.*



*Nosite zaštitu za uši i oči.*



*Nosite zaštitu za oči i uši.*



*Nosite zaštitne rukavice.*



*Mogućnost odabira različitih brzina.*

### Sigurnosna upozorenja uobičajena za brušenje, brušenje žičanom četkom ili poliranje

- a) Ovaj električni alat namijenjen je brušenju, radu sa žičanom četkom i poliranju. Proučite sva sigurnosna upozorenja, upute, ilustracije i specifikacije isporučene uz ovaj električni alat. Nepoštivanje svih dolje opisanih uputa može rezultirati električnim udarom, požarom i/ili ozbiljnim ozljedama.
- b) S ovim se alatom ne preporučuje izvođenje radova kao što su grubo brušenje ili odrezivanje. Korištenje u namjene za koje ovaj električni alat nije dizajniran mogu izazvati opasnost i prouzrokovati osobne ozljede.
- c) Ne koristite dodatni pribor koji nije namjenski dizajniran u preporučen od strane proizvođača alata. Iako bi se dodatni pribor mogao postaviti na vaš električni, to ne podrazumijeva sigurnu upotrebu.
- d) Najmanja deklarirana brzina dodatnog pribora mora biti jednaka oznaci najveće brzine na električnom alatu. Dodatni pribor koji se koristi pri brzinama koje su veće od njihove deklarirane brzine može se polomiti i raspasti.
- e) Vanjski promjer i debljina dodatnog pribora mora biti unutar deklarirane mogućnosti vašeg električnog alata. Dodatni pribor nepravilne veličine ne može se zadovoljavajuće zaštititi i kontrolirati.
- f) Veličina dosjeda diskova, spojnice, podloški i bilo kojeg drugog pribora mora pravilno odgovarati vretenu električnog alata. Dodatni pribor s otvorima dosjeda koji ne odgovaraju ugradbenim elementima električnog alata neće biti u ravnoteži, pretjerano će vibrirati i može prouzrokovati gubitak kontrole.
- g) Ne koristite oštećeni dodatni . Dodatni pribor pregledajte prije svake upotrebe radi mogućih oštećenja, kao što su krhotine ili pukotine abrazivnih diskova, pukotine ili pretjerano habanje podloški, labavost ili ispucalost žičanih

- četki. Ako električni alat ili dodatni pribor padne na tlo, provjerite radi mogućih oštećenja ili ugradite neoštećeni pribor. Nakon pregleda i postavljanja dodatnog pribora, sebe i druge osobe namjestite izvan ravnine vrtnje pribora i električni alat na nekoliko pokrenite pri najvećoj brzini bez opterećenja. Oštećeni dodatni pribor uobičajeno će se raspasti tijekom ove provjere.
- h) Nosite osobnu zaštitnu opremu. Ovisno o primjeni koristite štitnik za lice zaštitne naočale ili zaštitno staklo. Po potrebi nosite masku protiv prašine, zaštitu za sluh, rukavice i radnu pregaču koja može zaustaviti manje fragmente abrazivnog ili radnog materijala. Zaštita za oči mora zaustavljati fragmente nastale u različitim načinima rada. Zaštitna maska protiv prašina mora filtrirati čestice nastale tijekom vašeg rada. Produljeno izlaganje zvuku velike jačine može izazvati oštećenje sluha.
- i) Promatrače držite podalje od radnog područja. Bilo koja osoba koja ulazi u radno područje mora nositi osobnu zaštitnu opremu. Fragmenti radnog materijala ili dodatnog pribora mogu poletjeti i izazvati ozljede izvan samog područja rada.
- j) Električni alat pridržavajte isključivo za izolirane rukohvate dok radite u područjima gdje bi pribor mogao doći u dodir sa skrivenim ožičenijima ili kabelom alata. U slučaju kontakta reznog pribora sa žicom pod naponom, taj se napon može prenijeti na metalne dijelove alata i izazvati električni udar rukovatelja.
- k) Kabel napajanja postavite podalje od rotirajućeg pribora. Ako izgubite kontrolu, kabel bi mogao biti prerezan ili zahvaćen i vaša bi šaka ili ruka mogla biti uvučena u rotirajući pribor.
- l) Električni alat nikad ne odlažite dok se rotiranje pribora u cijelosti ne zaustavi. Rotirajući pribor može zahvatiti površinu i "povući" električni alat, uslijed čega možete izgubiti kontrolu nad alatom.
- m) Električni alat ne pokrećite dok ga nosite uz tijelo. Slučajan dodir s rotirajućim priborom može uhvatiti vašu odjeću i alat povući na vaše tijelo.
- n) Redovno čistite otvore za prozračivanje električnog alata. Ventilator motora uvlačit će prašinu u kućište. Pretjerane nakupine materijala u prahu mogu prouzrokovati opasnost od električnog udara.

- o) Električni alat ne upotrebljavajte u blizini zapaljivih materijala. Iskrenje može zapaliti takve materijale.
- p) Ne upotrebljavajte dodatni pribor koji zahtjeva hlađenje tekućinom. Korištenje vode ili drugih tekućih rashladnih sredstava može rezultirati električnim udarom.

### Upozorenja o povratnom udaru

Povratni udar je iznenadna reakcija uslijed zaglavlivanja ili zahvaćanja rotirajućeg diska, podloške, četke ili bilo kojeg drugog pribora. Zaglavlivanje ili zahvaćanje izaziva blokiranje rotirajućeg pribora, koje potom u točki dodira s materijalom izaziva nekontroliranu vrtnju električnog alata u smjeru suprotnom od smjera rotacije pribora.

Na primjer, ako se abrazivni disk zahvati ili zaglavi u radnom materijalu, rub diska koji ulazi u procijep može se ukopati u površinu materijala i prouzrokovati uspinjanje diska ili udar. Disk bi mogao poskočiti prema rukovatelju ili u suprotnom smjeru, ovisno o smjeru vrtnje diska u točki zaglavlivanja. Dodatno, abrazivni diskovi mogu se polomiti u ovim uvjetima.

Povratni udar je posljedica nepravilne upotrebe električnog alata i/ili nepravilnih postupaka ili uvjeta upotrebe i može se izbjeći poduzimanjem sljedećih preventivnih mjera:

- a) Električni alat uvijek čvrsto pridržavajte, a tijelo i ruke postavite na način da se odupiru silama povratnog udara. Uvijek koristite pomoćni rukohvat, ako je isporučen, kako biste imali najveću moguću kontrolu nad povratnim udarom ili reakcijom zakretnog momenta tijekom pokretanja alata. Rukovatelj može kontrolirati reakcije zakretnog momenta ili povratnog udara ako se poduzmu pravilne protumjere.
- b) Ruke nikad ne postavljajte u blizini rotirajućeg pribora. Dodatni pribor može se trznuti preko vaših ruku.
- c) Tijelo ne postavljajte u području unutar kojeg bi se električni alat mogao kretati ako dođe do povratnog udara. Povratni će udar alat odbaciti u smjeru suprotnom od smjera rotacije diska u točki zahvaćanja.
- d) Obratite posebnu pažnju tijekom obrade kutova, oštih rubova i slično. Izbjegavajte poskakivanje i zaglavlivanje pribora. Kutovi,

- oštri rubovi ili poskakivanje imaju sklonost zahvaćanju rotirajućeg pribora i mogu prouzrokovati gubitak kontrole ili povratni udar.
- e) Ne postavljajte oštricu za piljenje drva ili drugih materijala. Ovakve oštrice mogu izazvati česte povratne udare i gubitke kontrole.

### Posebni napuci za siguran rad

- Provjerite da li maksimalna brzina na brusnom disku odgovara maksimalnoj brzini uređaja. Brzina rada uređaja ne smije prijeći vrijednost naznačenu na brusnom disku.
- Provjerite da li veličina brusnog diska odgovara specifikacijama uređaja.
- Provjerite da li je brusni disk dobro postavljen i pričvršćen. Nemojte koristiti redukcione diskove ili adaptere da brusni disk postavili kako treba.
- Održavajte i čuvajte brusne diskove sukladno preporukama proizvođača.
- Nemojte koristiti aparat za brušenje radnih dijelova čija najveća debljina prelazi maksimalnu radnu dubinu brusnog diska.
- Nemojte koristiti brusne diskove za glačanje metalnih rubova.
- Kada brusni diskovi moraju da se postave na navoj osovine, provjerite da li osovina ima odgovarajući navoj. Provjerite da li je osovina dovoljno zaštićena i ne dodirujte brusnu površinu.
- Prije uporabe provjerite da li je brusni disk oštećen. Nemojte koristiti brusne diskove koji su puknuti, izgrebani ili oštećeni na neki drugi način.
- Prije uporabe pustite da uređaj radi bez opterećenja 30 sekundi. Odmah isključite uređaj u slučaju neobičnog vibriranja ili pojave drugih nepravilnosti. Pažljivo pregledajte aparat i brusni disk prije ponovnog uključivanja uređaja.
- Osigurajte da iskre ne budu opasne za ljude ili da ne dođu u dodir sa zapaljivim tvarima.
- Provjerite da li je radni dio dobro postavljen ili pričvršćen. Držite ruke dalje od podloge koja se obrađuje.
- Uvijek koristite zaštitne naočale i zaštitu za uši. Ako želite ili ako je potrebno, koristite i druge načine zaštite poput kecelje ili kacige.
- Provjerite da li su kola i šiljci postavljeni u skladu s preporukom proizvođača.
- Koristite podmetače koji idu uz abrazivne proizvode i onda kada se to zahtjeva.

- Ako je alatu pridodat štitnik, nikada nemojte koristiti taj alat bez štitnika.
- Za alate koji se postavljaju navijanjem, provjerite da li je navoj na matici dovoljan da prihvati dužinu osovine.
- Provjerite da li su ventilacioni otvori čisti kada radite u prašini. Ako je potrebno da očistite prašinu, prvo isključite uređaj iz struje (nemojte koristiti metalne predmete) i izbjegnite oštećivanje unutrašnjih dijelova.
- Ako je električna mreža u lošem stanju, može doći do privremenog pada napona u trenutku kada uključite aparat. To može utjecati na rad drugih aparata (na primjer, treperenje sijalice). Ako je električni otpor manji od 0,348 oma, ne treba da dođe do takvih smetnji. (Ukoliko je potrebno, možete kontaktirati nadležne za više informacija.)

### Zaštita od električnog udara

Kada koristite električne mašine, obavezno se upoznajete sa sigurnosnim pravilima koja važe u vašoj zemlji, da smanjite rizik od požara, električnog udara i ozljeda. Pročitajte slijedeće naputke, kao i dodatne sigurnosne naputke.



*Obavezno provjerite da li snaga električnog napajanja odgovara naponu naznačenom na etiketi proizvoda.*



*Mašina II klase – Dvostruka izolacija – Nije potrebno uzemljenje.*

### Zamjena kablova i utikača

Odmah bacite stare kablove i utikače kada ih zamijenite novim. Opasno je uključivati pokvarene utikače u utičnicu.

### Upotreba produžnih kablova

Koristite samo provjereni produžni kabel koji odgovara ulaznoj snazi uređaja. Minimalna veličina provodnika iznosi 1.5 mm<sup>2</sup>. Pri korištenju kabla namotanog na kalem, obavezno kabel potpuno odmotajte.

### 3. SASTAVLJANJE



*Prije montaže pribora uvijek izvucite kabel alata iz utičnice.*

#### Sastavljanje ručke

##### Slika 2

Ručka je namijenjena ljevacima i dešnjacima.

- Instalirajte ručku tako da otvori odgovaraju otvorima vijaka na uređaju.
- Zategnite ručku maticama i šesterokutnim ključem.

#### Sastavljanje pribora

##### Slika 3

- Pritisnite zapor vretena
- Zategnite vijcima držač podloška na vretenu
- Pritisnite zapor vretena
- Montirajte podložak za poliranje (4) na držač podloška (5).

#### Pribor

##### Slika 4

##### Podložak za poliranje (3)

On se koristi za poliranje i nanošenje voska s velikim sjajem.

##### Vuneni podložak za poliranje (4)

On se koristi za završni sloj s velikim sjajem.

### 4. UPORABA



*Uvijek slijedite sigurnosne upute i pridržavajte se važećih propisa.*

- Držite uređaj daleko od radnog komada pri uključivanju i isključivanju.
- Uvijek isključite uređaj nakon uporabe prije nego što izvučete utikač iz utičnice.

#### Kontrola brzine

##### Slika 5

Brzinu diska možete kontrolirati rotirajućim gumbom na vrhu ručke.

Što je viši njegov položaj, to je veća brzina. Pri nanošenju voska i poliranju ne započinite rad velikom brzinom.

#### Uključivanje i isključivanje

##### Slika 6

- Ova mašina je snabdjevena sigurnosnim prikidačem.
- Pokrenite uređaj tako što ćete pritisnuti gumb za "zaključavanje" (da oslobodite prekidač) i uključite mašinu.

#### Isključivanje

Otpustite sklopku.



*Uređaj za poliranje nastavlja s radom nakon isključivanja.*

Spustite uređaj tek nakon potpunog prestanka rada motora. Ne spuštajte uređaj na prašnju površinu. Čestice prašine mogu ući u uređaj.



*Nikada ne koristite zapor vretena za zaustavljanje motora.*

### 5. SERVIS & ODRŽAVANJE



*Pazite da uređaj nije uključen u struju pri izvođenju radova održavanja motora.*

Ovaj uređaj je projektiran za dugotrajni rad uz minimalno održavanje. Stalni zadovoljavajući rad ovisi o odgovarajućoj brzi i redovnom čišćenju uređaja.



*Popravke i servisiranje smije vršiti samo kvalificirani tehničar ili ovlašteno servisno mjesto.*

#### Čišćenje

Držite ventilacijske otvore uređaja čistima kako biste spriječili pregrijavanje motora. Redovito čistite kućište uređaja mekom krpom, po mogućnosti nakon svake uporabe. Držite ventilacijske otvore uređaja čistima od prašine i nečistoća. Ako ne možete ukloniti nečistoću, koristite meku krpnu navlaženu vodom i sapunom. Nikada ne koristite otapala kao što su benzin, alkohol, sirovom vodom itd. Ova otapala mogu oštetiti plastične dijelove.



## Kvarovi

U slučaju kvara, npr. trošenja dijela, molimo da kontaktirate servis na adresi navedenoj na jamstvenom listu. Na kraju ovog priručnika možete pronaći popis na izvlačenje koji prikazuje dijelove koje možete naručiti.

## OKOLIŠ

Za sprječavanje oštećenja pri transportu, uređaj se isporučuje u čvrstom pakiranju koje se sastoji isključivo od materijala koji se može ponovo upotrijebiti. Stoga molimo da iskoristite opcije recikliranja i pakiranja.



*Neispravni i/ili uklonjeni električni ili elektronički uređaji moraju se skupljati na odgovarajućim mjestima za reciklažu.*

### Samo za zemlje Europske unije.

Alate nemojte odlagati u kućanski otpad. Prema europskim smjernicama 2012/19/EU za otpadnu električnu i elektroničku opremu i njihovoj primjeni i državnom zakonodavstvu, radni alati koji se više ne koriste moraju se odvojeno sakupiti i odložiti na ekološki prihvatljiv način.

## JAMSTVO

Jamstvene uvjete možete pronaći na posebno priloženom jamstvenom listu.

**Proizvod i korisnički priručnik su podložni promjenama. Specifikacije se mogu promijeniti bez upozorenja.**

## UGAONA MAŠINA ZA POLIRANJE 1400W - 180MM

### Hvala na kupovini ovog proizvoda firme Ferm.

Stime Vi sada posedujete odličan proizvod koji je isporučen od strane jednog od vodećih snabdevača u Evropi. Svi proizvodi isporučeni od strane firme Ferm su proizvedeni u skladu sa najvišim standardima po pitanju bezbednosti i preformansi. Kao deo naše filozofije mi takođe pružamo odličan servis kupcima, koji je podržan sa obimnom garancijom.

Nadamo se da ćete uživati u ovom proizvodu mnogo godina.

### Brojevi u tekstu koji sledi odnose se na crtež na strani 2-3



*Pažljivo pročitajte uputstvo za rukovanje pre upotrebe aparata. Dobro se upoznajete s načinom rada aparata i načinom njegovog korišćenja. Održavajte uređaj u skladu sa uputstvima i proverite da li ispravno funkcioniše. Čuvajte ovaj priručnik i ostalu priloženu dokumentaciju zajedno sa aparatom.*

### Sadržaj

1. Podaci mašine
2. Instrukcije o bezbednosti
3. Montaža
4. Upotreba
5. Servis & održavanje

### Uvod

Bilo koja druga upotreba osim poliranja i lako peskarenje je strogo zabranjeno.

## 1. PODACI MAŠINE

### Tehničke specifikacije

Napon	230-240 V~
Frekvencija	50 Hz
Apsorbovana snaga	1400 W
Brzina bez opterećenja	1000-3300/min
Prečnik diska	180 mm
Dimenzija osovine	M 14
Težina	3.3 kg
Lpa (zvučni pritisak)	86+3 dB(A)
Lwa (zvučna snaga)	97+3 dB(A)
Vrednost vibracije	3.51+1.5 m/s <sup>2</sup>

### Nivo vibracija

Nivo emisije vibracija naznačen na poleđini ovog uputstva za upotrebu izmeren je u skladu sa standardizovanim testom datim u EN 60745; on se može koristiti za upoređenje jedne alatke sa drugom, kao i za preliminarnu procenu izloženosti vibracijama pri korišćenju ove alatke za pomenute namene

- korišćenje alatke u drugačije svrhe ili sa drugačijim ili slabo održavanim nastavcima može značajno povećati nivo izloženosti
- vreme kada je alatka isključena ili kada je uključena, ali se njome ne radi, može značajno smanjiti nivo izloženosti

Zaštite se od posledica vibracija održavanjem alatke i njenih nastavaka, održavajući Vaše ruke toplim i organizovanjem Vaših radnih obrazaca

### Karakteristike

#### Sl. 1

1. Prekidač za uključivanje/isključivanje
2. Kontrola brzine
3. Ručica u obliku slova U
4. Držać mekanog umetka
5. Osigurač osovine
6. Blokada prekidača

## 2. INSTRUKCIJE O BEZBEDNOSTI

### Objašnjenje za simbole



*Označava opasnost od povređivanja, gubitka života ili oštećivanja aparata u slučaju nepoštovanja uputstava datih u ovom priručniku.*



*Ukazuje na opasnost od električnog udara.*



*Odmah izvucite utikač iz glavnog voda ukoliko se kabl ošteti ili tokom održavanja uređaja.*



*Nikada ne koristite osovinsku bravicu za zaustavljanje motora.*



*Opasnost od požara.*



*Nosite štitičke za uši i oči.*



*Nosite zaštitne rukavice.*



*Mogućnost biranja različitih brzina.*

### Bezbednosna upozorenja uobičajena za brušenje, brušenje žičanom četkom ili poliranje

- a) Ovaj električni alat namenjen je brušenju, radu sa žičanom četkom i poliranju. Proučite sva bezbednosna upozorenja, uputstva, ilustracije i specifikacije isporučene uz ovaj električni alat. Nepoštovanje svih dole opisanih uputstava može da dovede do električnog udara, požara i/ili ozbiljnih povreda.
- b) Sa ovim se alatom ne preporučuje da izvodite radove poput grubog brušenja ili odrezivanja. Korišćenje u namene za koje ovaj električni alat nije projektovan mogu da izazovu opasnost i prouzrokuju lične povrede.
- c) Nemojte upotrebljavati pribore koji nisu specifično konstruisani i preporučeni od strane proizvođača alata. Sama činjenica da se pribor može priključiti na vaš električni alat ne garantuje bezbedan rad.
- d) Nominalna brzina na priboru mora da bude barem jednaka sa maksimalnom brzinom naznačenom na električni alat. Pribori koji rade na većoj brzini nego što je njihova nominalna brzina mogu se slomiti i odleteti.
- e) Spoljni prečnik i debljina vašeg pribora mora biti unutar proračunate snage vašeg električnog alata. Pribori sa nepravilnom veličinom se ne mogu adekvatno zaštititi ili kontrolisati.
- f) Unutrašnja veličina otvora kod tocila, prirubnica, podmetača ili bilo kog drugog pribora mora pravilno da nalegne na osovinu električnog alata. Pribori sa unutrašnjim otvorima koje ne odgovaraju osovini električnog alata mogu ispasti iz ravnoteže,

prekomerno vibrirati i mogu prouzrokovati gubitak kontrole.

- g) Nemojte upotrebljavati oštećen pribor. Pre svake upotrebe proverite pribor kao što je tocilo na strugotine ili naprsline, podmetače na naprsline, cepanje ili prekomernog habanja, metalne četke na labave ili naprsle žice. Ako vam je električni alat ili pribor ispao iz ruke, ispitajte na oštećenje ili namestite neoštećen pribor. Nakon provere i instaliranja pribora, postavite sebe i posmatrača u poziciju udaljeno od ravan u kojoj pribor rotira i pustite u rad električni alat za jedan minut pri maksimalnoj brzini bez opterećenja. Tokom ovog vremena će oštećeni pribori normalno da se polomi.
- h) Nosite ličnu zaštitnu opremu. U zavisnosti od primene, upotrebite zaštitu za lice, zaštitne ili sigurnosne naočare. Nosite prikladnu masku protiv prašine, zaštitu za sluh, rukavice i radničku kecelju koja je u stanju da zaustavi male abrazivne odlomke ili odlomke radnog materijal. Zaštita za oči mora biti u stanju da zasutavi leteće odlomke stvorene od različitih vrsta rada . Maska protiv prašine ili respirator mora biti u stanju da filtrira čestice prouzrokovane vašim radom. Dugotrajno izlaganje jako intenzivnoj buci može prouzrokovati gubitak sluha.
- i) Držite posmatrača na bezbednoj udaljenost od mesta rada. Svako ko uđe u radnom području mora nositi ličnu zaštitnu opremu. Odlomci radnog amterijal ili od oštećenog pribora mogu odleteti i prouzrokovati povrede izvan neposrednog područja rada.
- j) Držite električni alat samo na izolovanim površinama ručica, kada izvršavate rad gde oprema za sečenje može doći u kontakt sa skrivenom žicom ili sopstvenim kablom. Pribor za sečenje koji dodirne žicu pod "strujom" može izložiti metalne delove električnog alata pod "strujom" i operater može doživeti električni udar.
- k) Postavite kabl jasno udaljeno od pribora koji se okreće. Ako izgubite kontrolu, onda postoji mogućnost da se kabl poseče ili napravi čvor i vaša ruka može biti povučena prema priboru koji se okreće.
- l) Nikada nemojte odlagati električni alat dok se pribor potpuno ne zaustavi. Pribor koji se okreće može zahvatiti površinu i povući električni alata van vaše kontrole.
- m) Nemojte puštati u rada električni alat dok ga nosite pored vas. Slučajan kontakt sa priborom

koji se okreće može uhvatiti vašu odeću, povlačeći pribor prema vašem telu.

- n) Redovno čistite ventilacione otvore električnog alata. Ventilator motora uvlači prašinu unutar kućišta i prekomerno nagomilavanje prašnjavog metala može prouzrokovati električne opasnosti.
- o) Nemojte puštati u rad vaš električni alat u blizini zapaljivih materijala. Iskre mogu zapaliti ove materijale.
- p) Nemojte upotrebljavati pribore koje zahtevaju tečna sredstva za hlađenje. Upotreba vode ili drugih tečnih sredstava za hlađenje može rezultovati smrtonosni strujni udar ili električni udar.

### **Povratni udar i povezana upozorenja**

Povratni udar je iznenadna reakcija tocila, podmetača, četke ili bilo kog drugog pribora koji je priklješten ili zahvaćen. Priklještenje ili zahvaćanje prouzrokuje naglo zasutavljanje pribora koji rotira što prouzrokuje da nekontrolisani električni alat bude prisiljen u pravcu suprotnom od rotiranja pribora na mestu dodira.

Na primer, ako je tocilo priklješteno ili zahvaćeno od strane radnog materijala, ivica tocila koja ulazi u tački priklještenja može se ukopati u površinu materijala prouzrokujući da se tocilo uspenra ili izbacii vani. Tocilo može odskočiti ili prema ili udaljeno od operatera, u zavisnosti od pravca okretnjaa tocila na mestu priklještenja. Takođe abrazivna tocila mogu da se polome pod ovim uslovima.

Povratni udar je rezultat zloupotrebe električnog alata i/ili nepravilne procedure rada ili uslova i može se izbeći ako se preduzmu pravilne mere predostrožnosti kao što je navedeno ispod.

- a) Održavajte čvrsto držanje električnog alata i postavite vaše telo i ruke tako da možete pružiti otpor silama povratnog udara. Koristite uvek pomoćni rukohvat, ukoliko postoji, za maksimalnu kontrolu nad povratnim udarom ili reakcije obrtnog momenta prilikom pokretanja. Operator može kontrolisati reakcije obrtnog momenta ili sile povratnog udara ako je preduzeo pravilne mre predostrožnosti.
- b) Nikada nemojte postavljati vašu ruku blizu pribora koji rotira. Pribor može povratno udariti preko vaše ruke.
- c) Nemojte postavljati vaše telo u području gde će se električni alat kretati ako nastane

povratni udar. Povratni udar pokreće alat u smeru suprotnom od kretanje točila kod mesta zahvatanja.

- d) Budite posebno pažljivi kada radite na čoškovima, oštrima ivicama itd. Izbegavajte odskakanje i zahvatanje pribora. Čoškovi, oštre ivice imaju sklonost zahvatanja pribora koji rotira i mogu prouzrokovati gubitak kontrole ili povratni udar.
- e) Nemojte pričvrstiti lanac testere, oštricu za drvorez ili nazubljen list testere. Takve oštrice stvaraju stalne povratne udare i gubitak kontrole.

### Posebna uputstva za bezbedno rukovanje

- Proverite da li maksimalna brzina na brusnom disku odgovara maksimalnoj brzini uređaja. Brzina rada uređaja ne sme preći vrednost naznačenu na brusnom disku.
- Proverite da li veličina brusnog diska odgovara specifikacijama uređaja.
- Proverite da li je brusni disk dobro postavljen i pričvršćen. Nemojte koristiti redukcionu diskove ili adaptere da biste brusni disk postavili kako treba.
- Održavajte i čuvajte brusne diskove u skladu s preporukama proizvođača.
- Nemojte koristiti aparat za brušenje radnih delova čija najveća debljina prelazi maksimalnu radnu dubinu brusnog diska.
- Nemojte koristiti brusne diskove za glačanje metalnih ivica.
- Kada brusni diskovi moraju da se postave na navoj osovine, proverite da li osovina odgovarajući navoj. Proverite da li je osovina dovoljno zaštićena i ne dodirujte brusnu površinu.
- Pre upotrebe proverite da li je brusni disk oštećen. Nemojte koristiti brusne diskove koji su naprsli, izgrebani ili oštećeni na neki drugi način.
- Pre upotrebe pustite da uređaj radi na prazno 30 sekundi. Odmah isključite uređaj u slučaju neuobičajenih vibracija ili pojave drugih nepravilnosti. Pažljivo pregledajte aparat i brusni disk pre ponovnog uključivanja uređaja.
- Proverite da varnice nisu opasne po ljude ili da ne dođu u dodir s visokozapaljivim supstancama.
- Proverite da li je radni deo dobro postavljen ili pričvršćen. Držite ruke dalje od površine koja se obrađuje.

- Uvek koristite zaštitne naočare i zaštitu za uši. Ako želite ili ako je potrebno koristite i druge vidove zaštite poput keclje ili šlema.
- Proverite da li su koturi i šiljci postavljeni u skladu s preporukom proizvođača.
- Koristite podmetače koji idu uz abrazivne proizvode i onda kada se to zahteva.
- Ako je alatu pridodat štitičnik, nikada nemojte koristiti taj alat bez štitičnika.
- Za alate koji se postavljaju uvrtanjem, proverite da li je navoj na matici dovoljan da prihvati dužinu osovine.
- Proverite da li su ventilacioni otvori čisti kada radite u prašini. Ako je potrebno da očistite prašinu, najpre isključite uređaj iz struje (nemojte koristiti metalne predmete) i izbegnite oštećivanje unutrašnjih delova.
- Ako je električna mreža u lošem stanju, može doći do privremenog pada napona u trenutku kada uključite aparat. To može uticati na rad drugih aparata (na primer, treperenje sijalice). Ako je električni otpor manji od 0,348 oma, ne bi trebalo da dođe do takvih smetnji. (Ukoliko je potrebno, možete kontaktirati nadležne za više informacija.)

### Električna bezbednost

Kada koristite električne mašine obavezno se upoznajte s pravilima o bezbednosti koja važe u Vašoj zemlji, kako biste smanjili rizik od požara, električnog udara i povređivanja. Pročitajte sledeća uputstva, kao i dodatne bezbednosne instrukcije.



*Obavezno proverite da li snaga električnog napajanja odgovara naponu naznačenom na etiketi proizvoda.*



*Mašina II klase – Dvostruka izolacija – Nije potrebno uzemljenje.*

### Zamenjivanje kablova i utikača

Odmah bacite stare kablove i utikače kada ih zamenite novim. Opasno je uključivati neispravne utikače u utičnicu.

### Upotreba produžnih kablova

Koristite samo provereni produžni kabl koji odgovara ulaznoj snazi uređaja. Minimalna veličina provodnika iznosi 1.5 mm<sup>2</sup>. Pri korišćenju kabla namotanog na kalem, obavezno kabl potpuno odmotajte.

### 3. MONTAŽA



*Pre nego što montirate neki pribor uvek prvo iskopčajte alat iz napajanja.*

#### Montaža ručice

##### Sl. 2

Ručica je pogodna i za levake i dešnjake.

- Namestite ručicu na takav načina da otvori odgovaraju otvorima za zavrtnjeve na mašini.
- Pritegnite ručicu sa zavrtnjevima i šestouganim ključem.

#### Pribori za sklapanje

##### Sl. 3

- Pritisni osigurač osovine
- Navij i pritegni držač mekanog umetka na osovinu
- Otpusti osigurač osovine
- Namontiraj mekani umetak za poliranje (4) na držaču mekanog umetka (5).

#### Pribori

##### Sl. 4

#### Meki umetak za poliranje (3)

Koristi se za poliranje i voskarenje visokog sjaja.

#### Vuneni mekani umetak za poliranje (4)

Koristi se za finiš visokog sjaja boje.

### 4. UPOTREBA



*Uvek pratite bezbednosne instrukcije i držite se primenljivih propisa.*

- Držite mašinu podalje od deo koji se mašinski obrađuje kada je uključujete i isključujete.
- Uvek prvo mašinu isključite pre nego što izvučete utikač iz utičnice.

#### Kontrola brzine

##### Sl. 5

Brzina diska se može kontrolisati sa kružnim dugmetom na vrhu ručice. Što je viša pozicija to je veća brzina. Kada nanosite vosak i polirate nemojte započinjati sa najvećom brzinom

#### Uključivanje i isključivanje

##### Sl. 6

- Ova mašina je opremljena bezbednosnim prekidačem.
- Pokrenite mašinu pritiskom na dugme za "zaključavanje" (da biste oslobodili prekidač) i uključite mašinu.

#### Isključivanje

Otpustite prekidač.



*Mašina za poliranje će nastaviti da radi nakon što ste je isključili.*

Spustite mašinu dole samo onda kada je motor kompletno stao sa radom. Nemojte odlagati mašinu na površinama sa prašinom. Čestice prašine mogu da prodru u mašinu.



*Nikada nemojte koristiti ključ za osovinu da bi ste zaustavili motor.*

### 5. SERVIS & ODRŽAVANJE



*Osigurajte se da mašina nema napajanje dok vršite radove održavanja na motoru.*

Ova mašina je konstruisana da radi dug period vremena sa minimum održavanja.



*Popravke i servisiranje mora da bude sprovedeno samo od strane kvalifikovanog osoblja ili servisne firme.*

#### Čišćenje

Držite ventilacione otvore od mašine čistim da bi sprečili pregrevanje motora. Redovno čistite kućište mašine sa mekom krpom, poželjno nakon svake upotrebe. Držite ventilacione otvore oslobođenim od prašine i prljavštine. Ukoliko se prljavštine ne može ukloniti upotrebite meku krpnu navlaženu sa nasapunjenom vodom. Nikada nemojte koristiti rastvarače kao što je benzin, alkohol, amonijum hidroksid, itd. Ovi rastvarači mogu da oštete plastične delove.

## Кварови

Уколико наступи неки квар, на пример након хабање некоег дела, молимо ступите у контакт са адресом сервиса назначеном на гарантном листу. На позадини овог упутства имате преглед резервних делова који се могу поручити.

## ЖИВОТНА СРЕДИНА

Би се спречило оштећевање током транспорта, апарат је испоручен у чврстој амбалажи, која се састоји у великој мери од материјала за виšekратну употребу. Ради тога молимо вас употребите опције рециклирање амбалаже.



*Nesipravne i/ili izbačene električne ili elektronske aparate se moraju sakupljati na odgovarajućim lokacijama za recikliranje.*

### Само за земље чланнице Европске Уније

Алат за напајање немојте да бацате као кућни отпад. По Европској смерници 2012/19/EU за одлагање електричне и електронске опреме и њеној примени у државном праву, алат за напајање који се више не користи мора да се одвоји и да се одложи у отпад на одговарајући начин.

## ГАРАНЦИЈА

Услови гаранције можете пронаћи на посебно приложеној картици за гаранцију.

**Производ и приручник за кориснике су подложни изменама. Спецификације је могуће променити без претходне најаве.**

## УГЛОВАЯ ПОЛИРОВАЛЬНАЯ МАШИНА 1400W - 180MM

### Благодарим Вас за покупку данного изделия компании Ферм.

Вы приобрели отличный продукт ведущего европейского дистрибьютора. Все изделия, поставляемые компанией Ферм, производятся по самым жёстким нормам производства и безопасности. Составной частью нашей коммерческой философии является предоставление нашим заказчикам качественного сервиса на базе комплексного гарантийного обслуживания в течение 3 лет. Мы верим, что данное изделие будет надёжно работать много лет и полностью удовлетворит Ваши требования.

**Цифровые обозначения в тексте относятся к изображениям на страницах 2 - 3.**



*Для обеспечения собственной безопасности и безопасности других мы рекомендуем внимательно ознакомиться с данной инструкцией перед началом использования изделия. Не выбрасывайте данную инструкцию и другие прилагаемые к изделию документы для возможности их использования в будущем.*

### Содержание

1. Данные устройства
2. Указания по технике безопасности
3. Сборка
4. Эксплуатация
5. Техническое обслуживание

### Введение

Использование инструмента в каких-либо других целях, кроме полирования и легкого шлифования, строго запрещено.

## 1. ДАННЫЕ УСТРОЙСТВА

### Технические характеристики

Напряжение	230-240 В~
Частота	50 Гц
Потребляемая мощность	1400 Вт
Скорость без нагрузки	1000-3300/мин

Диаметр диска	180 мм
Размер шпинделя	M14
Вес	3,3 кг
Lpa (звуковое давление)	86+3 дБ(A)
Lwa (звуковая мощность)	97+3 дБ(A)
Значение вибрации	3.51+1.5 м/с <sup>2</sup>



*Вероятность поражения электрическим током.*



*Блокировку вала используйте только когда устройство остановлено.*

### Уровень вибрации

Уровень вибрации, указанный в конце данного руководства по эксплуатации был измерен в соответствии со стандартизированным испытанием, содержащимся в EN 60745; данная характеристика может использоваться для сравнения одного инструмента с другим, а также для предварительной оценки воздействия вибрации при использовании данного инструмента для указанных целей

- при использовании инструмента в других целях или с другими/неисправными вспомогательными приспособлениями уровень воздействия вибрации может значительно повышаться
- в периоды, когда инструмент отключен или функционирует без фактического выполнения работы, уровень воздействия вибрации может значительно снижаться

защищайте себя от воздействия вибрации, поддерживая инструмент и его вспомогательные приспособления в исправном состоянии, поддерживая руки в тепле, а также правильно организуя свой рабочий процесс

### Характеристики

#### Рис. 1

1. Выключатель питания
2. Переключатель скорости
3. U-образная рукоятка
4. Держатель полировальной подушки
5. Устройство блокировки шпинделя
6. Блокировка выключателя

## 2. УКАЗАНИЯ ПО ТЕХНИКЕ БЕЗОПАСНОСТИ

### Объяснения к обозначениям символов



*Риск повреждения инструмента и/или травм, смерти в случае несоблюдения инструкций данного руководства.*



*Не позволяйте приближаться посторонним.*



*Надевайте средства защиты органов слуха и зрения.*



*Носите защитные перчатки.*



*Носите защитные очки*



*Количество оборотов машины можно электронно регулировать.*

### Общие предупреждения по безопасному шлифованию, очистке проволочной щеткой и полировке

- а) Данный электроинструмент предполагается использовать в качестве шлифовального станка, станка по очистке проволочной щеткой и полировочной машины. Прочтите все предупреждения по безопасному использованию и ознакомьтесь с рисунками и спецификациями, которые прилагаются к данному электроинструменту. Несоблюдение приведенных ниже инструкций может привести к поражению электрическим током, пожару и/или серьезным травмам.
- б) Не рекомендуется использовать данный электроинструмент для таких операций, как затачивание или отрезание. Выполнение операций, для которых электроинструмент не предназначен, может представлять опасность и привести к серьезным травмам.
- в) Не используйте какие-либо насадки, кроме специально предназначенных и рекомендованных производителем инструмента. Даже если насадка подходит к данному инструменту, это не гарантирует его безопасную работу.



- d) Расчетная скорость насадки должна быть не менее максимальной скорости, указанной на корпусе инструмента. Насадки, работающие на скорости, превышающей их расчетную скорость, могут сломаться и разлететься в стороны.
- e) Наружный диаметр и толщина насадки должны соответствовать характеристикам данного электроинструмента. Для насадок несоответствующего размера невозможно обеспечить соответствующую защиту и управление.
- f) Размер оправки дисков, фланцев, подкладок и любых других принадлежностей должен соответствовать размеру шпинделя электроинструмента. Несоответствие размера отверстий оправки принадлежностей приводит к их разбалансировке, чрезмерной вибрации и потере управления.
- g) Не пользуйтесь поврежденными насадками. Перед каждым использованием проверяйте абразивные диски на наличие сколов и трещин, подкладки - на наличие трещин, разрывов или чрезмерного износа, проволочные щетки - на наличие выпадающей или треснувшей проволоки. В случае падения электроинструмента или насадки, проверьте их на наличие повреждений и, при необходимости, замените насадку. После проверки и установки насадки, отойдите на достаточное расстояние от вращающейся части и включите электроинструмент на максимальной скорости без нагрузки в течение одной минуты. В ходе этой проверки поврежденные насадки должны сломаться.
- h) Пользуйтесь средствами индивидуальной защиты. В зависимости от области применения инструмента, надевайте защитную маску или защитные очки. При необходимости, надевайте респиратор, защитные наушники, перчатки и рабочий передник, отражающий абразивные частицы. Защитные очки должны быть способны отражать отлетающие частицы, образующиеся в результате выполнения различных операций. Защитная маска или респиратор должны быть способны фильтровать частицы, образующиеся в процессе работы. Продолжительное воздействие сильного шума может привести к потере слуха.
- i) Посторонние должны находиться на безопасном расстоянии от рабочей зоны. Все лица, находящиеся в рабочей зоне, должны пользоваться средствами индивидуальной защиты. Частицы материала или сломанных насадок могут стать причиной травмы даже за пределами непосредственно рабочей зоны.
- j) Удерживайте инструмент только за изолированные поверхности для захвата во время выполнения работ, при которых режущая насадка может коснуться скрытой проводки или собственного шнура питания. Контакт режущей насадки с проводами под напряжением может привести к передаче напряжения на металлические части инструмента и поражению оператора электрическим током.
- k) Разместите шнур питания таким образом, чтобы он не касался вращающихся частей. В случае потери управления, контакт с вращающимися деталями может привести к перерезанию или запутыванию шнура. Кроме того, это может привести к затягиванию вашей руки во вращающийся механизм.
- l) Никогда не кладите электроинструмент до полной его остановки. Вращающиеся детали могут коснуться поверхности и привести к потере управления инструментом.
- m) Не включайте электроинструмент во время переноски. Случайный контакт с вращающимися насадками может привести к захвату вашей одежды и травме.
- n) Регулярно очищайте вентиляционные отверстия электроинструмента. Вентилятор двигателя затягивает пыль внутрь корпуса. Чрезмерное скопление металлической пыли может привести к поражению электрическим током и неисправности инструмента.
- o) Не включайте электроинструмент в непосредственной близости от легковоспламеняющихся материалов. Искры могут привести к возгоранию этих материалов.
- p) Не используйте насадки, требующие жидкостного охлаждения. Использование воды или других жидких охладителей может привести к поражению электрическим током.

### Обратная отдача и сопутствующие предупреждения

Обратная отдача - это мгновенная реакция на деформацию диска, подкладки, щетки или любой другой принадлежности. Возникновение задиrow или деформация приводят к заклиниванию вращающихся насадок, что, в свою очередь, приводит к потере управления электроинструментом и его движению в направлении, противоположном вращению в точке деформации.

Например, при наличии задиrow или деформации абразивного диска деталью, край этого диска, входящий в точку заземления, может войти в поверхность материала и повлечь за собой выпадение диска. Диск может выскочить в сторону оператора или от него, в зависимости от направления движения диска в точке зажима. Абразивные диски в этих условиях могут сломаться.

Обратная отдача возникает в результате неправильного использования электроинструмента и/или несоблюдения условий работы, и ее можно избежать, приняв соответствующие меры предосторожности, описанные ниже.

- a) Крепко удерживайте электроинструмент и поддерживайте руки и туловище в положении, позволяющем выдерживать силу обратной отдачи. Всегда используйте дополнительную рукоятку (при наличии), для максимального контроля обратной отдачи в начале работы. Оператор может управлять крутящим импульсом или обратной отдачей, при соблюдении определенных мер предосторожности.
- b) Никогда не кладите руки на вращающиеся детали. Может произойти обратная отдача на руку.
- c) Держитесь на расстоянии от того места, в которую переместится инструмент в случае обратной отдачи. В случае отдачи, инструмент переместится в сторону, противоположную движению диска в точке зажима.
- d) Соблюдайте особую осторожность при обработке углов, острых кромок и т.д. Избегайте биения и зажима насадки. Углы, острые кромки или биение могут привести к зажиму вращающейся насадки и потере управления в случае обратной отдачи.

- e) Не устанавливайте полотно для резки по дереву или зубчатое полотно. Эти полотна часто являются причиной обратной отдачи и потери управления.

### Пенед включем циркулярной пилы

- Проверьте, чтобы максимальная скорость, показанная на шлифовальном кругу, соответствовала максимальной скорости машины.  
Скорость машины не должна превышать величину на шлифовальном кругу.
- Убедитесь, что размеры шлифовального круга соответствуют техническим характеристикам машины.
- Убедитесь, что шлифовальный круг был установлен и закреплён соответствующим образом. Не используйте редуцирующие кольца или оправки для обеспечения правильной посадки шлифовального круга.
- Обращайтесь со шлифовальными кругами и храните их в соответствии с инструкцией производителя.
- Не используйте машину для шлифовки заготовок, максимальная ширина которых превышает максимальную шлифовальную глубину шлифовального круга.
- Не используйте шлифовальные круги для снятия заусенцев.
- Если требуется установить шлифовальные круги на резьбе шпинделя, убедитесь, что шпиндель имеет соответствующую резьбу. Убедитесь, что шпиндель достаточно защищён и не касается шлифовальной поверхности.
- Перед использованием проверьте шлифовальный круг на наличие каких-либо повреждений. Не используйте шлифовальные круги, если они треснуты, разрезаны или имеют другие повреждения.
- Перед использованием запустите машину на холостом ходу на 30 секунд. При наличии ненормальных вибраций или иного повреждения сразу же выключите машину. Перед тем, как снова включить машину, внимательно осмотрите машину и шлифовальный диск.
- Убедитесь, что искры не опасны для человека, или что они не касаются легко воспламеняемых веществ.

- Убедитесь, что заготовка поддержана или закреплена должным образом. Не дотрагивайтесь руками до обрабатываемой поверхности.
- Всегда носите защитные очки и приспособленные слуховой защиты. По желанию или при необходимости используйте также другие виды защиты, как например, фартук или шлем.

Немедленно выключить машинку при:

- Чрезмерном искрении угольных щеток или кольцевидном огне в коллекторе.
- Неисправности в сетевой вилке, сетевом шнуре или повреждении шнура.
- Неисправном выключателе.
- Появлении дыма или запахе горелой изоляции.

### Электробезопасность

При эксплуатации электрических машин всегда соблюдайте действующие правила техники безопасности для снижения риска пожара, поражения электрическим током и травм. Прочитайте настоящие требования, а также входящую в комплект инструкцию по технике безопасности. Храните инструкции в месте, обеспечивающем их сохранность!



*Всегда убеждайтесь в том, что питание соответствует напряжению, указанному на заводской табличке.*



Станок II класса – Двойная изоляция – Вилка с заземлением не требуется.

### Замена кабелей и штепсельных вилок

Если кабель питания поврежден, его необходимо заменить на специальный кабель питания, который можно приобрести у производителя или в службе сервисного обслуживания производителя.

Немедленно выбросите старый кабель и электровилку после замены их на новые. Опасно вставлять в розетку вилку неподсоединенного шнура.

### Применение удлинительных кабелей

Используйте только предназначенные для этой цели удлинительные кабели, рассчитанные

на питание машины. Минимальное сечение провода должно быть 1,5 мм<sup>2</sup>. При использовании кабельной катушки всегда разматывайте катушку полностью.

## 3. СБОРКА



*Перед сборкой всегда отключайте инструмент от сети питания.*

### Сборка рукоятки

#### Рис. 2

Рукоятка подходит для работы как правой, так и левой рукой.

- Установите рукоятку таким образом, чтобы отверстия на ней соответствовали отверстиям для винтов на инструменте.
- Закрепите рукоятку с помощью болтов и шестигранного ключа.

### Монтажные принадлежности

#### Рис. 3

- Нажмите рычаг блокировки шпинделя
- Закрепите винтами держатель полировальной подушки на шпинделе
- Отпустите рычаг блокировки шпинделя
- Установите полировальную подушку (4) в держатель (5).

### Дополнительные принадлежности

#### Рис. 4

#### Полировальная подушка (3)

Эта подушка используется для нанесения воска и полировки с высоким уровнем блеска.

#### Шерстяной круг (4)

Используется для окончательной обработки и придания блеска поверхности.

## 4. ЭКСПЛУАТАЦИЯ



*Всегда соблюдайте инструкции по технике безопасности и требования местного законодательства.*

- Во время включения и выключения инструмента держите его на расстоянии от заготовки.

- Всегда сначала выключайте инструмент, прежде чем вынуть штепсельную вилку из розетки.

### Регулятор скорости

#### Рис. 5

Скорость вращения шлифовального диска можно регулировать с помощью поворотного регулятора в верхней части рукоятки. Чем выше значение регулятора, тем больше скорость. При нанесении воска и полировании не начинайте работу на высоких оборотах.

### Включение и выключение устройства

#### Рис. 6

- Устройство оборудовано предохранительным выключателем.
- Включайте устройство следующим образом: нажмите кнопку разблокирования (отпустить выключатель) и после этого включите устройство.

### Выключение

Нажмите выключатель.



*Шлифовальная машина будет продолжать работать некоторое время после выключения.*

Кладите инструмент только после того, как мотор полностью остановится. Не кладите инструмент на пыльную поверхность. Частицы пыли могут попасть внутрь инструмента.



*Никогда не пытайтесь остановить мотор с помощью шпонки шпинделя.*

## 5. ТЕХНИЧЕСКОЕ ОБСЛУЖИВАНИЕ



*При выполнении технического обслуживания убедитесь в том, что инструмент отключен от сети.*

Данный инструмент рассчитан на длительный срок эксплуатации при минимальном обслуживании. Для длительной безотказной работы необходимо обеспечить правильный уход за инструментом и его регулярную очистку.



*Ремонт и техническое обслуживание должны выполняться только квалифицированными специалистами или сотрудниками сервисного центра.*

### Очистка

Следите за чистотой вентиляционных отверстий инструмента во избежание его перегрева. Регулярно, желательно после каждого использования, протирайте детали корпуса инструмента мягкой тканью. Следите за отсутствием пыли и загрязнений в вентиляционных прорезях и регулярно очищайте их. Если грязь не удаляется, воспользуйтесь мягкой тканью, смоченной в мыльном растворе. Никогда не используйте такие растворители, как бензин, спирт, нашатырный спирт и т.д. Эти растворители могут повредить пластмассовые детали инструмента.

### Неисправности

При возникновении неисправности, например, вследствие износа детали, обратитесь в сервисный центр по адресу, указанному в гарантийном формуляре. На задней стороне данного руководства приведен рисунок в разобранном виде с деталями, которые можно заказать.

## ОКРУЖАЮЩАЯ СРЕДА

Во избежание повреждения при транспортировке, инструмент поставляется в плотной упаковке из материалов, допускающих повторную переработку. Поэтому просим вас воспользоваться возможностью повторной переработки упаковки.



*Неисправный или более непригодный для использования инструмент необходимо сдать в соответствующие пункты для переработки.*

**Только для стран ЕС**

Не выбрасывайте электроинструмент вместе с бытовым мусором. В соответствии с Европейским руководством 2012/19/ЕУ по “Утилизации электрического и электронного оборудования” и национальными законодательными актами электроинструмент, который больше не используется, необходимо собирать отдельно и утилизировать безопасным для окружающей среды образом.

**ГАРАНТИЯ**

Гарантийные условия см. на прилагаемом гарантийном талоне.

**Изделие и руководство пользователя могут быть изменены. Технические характеристики могут быть изменены без дальнейшего уведомления.**

**КУТОВА ПОЛІРУВАЛЬНА МАШИНА  
1400W - 180mm****Дякуємо Вам за те, що Ви придбали цей виріб компанії „Ферм“.**

Ви обрали високоякісний виріб від ведучого європейського дистриб'ютора. Усі вироби, які постачає компанія „Ферм“, виробляються згідно з найстрогішими стандартами що до потужності та безпеки. Складником нашої комерційної філософії є прагнення забезпечити замовникам якісний сервіс на підставі комплексної 3-х річної гарантії. Ми віримо, що цей виріб буде служити Вам і приносити задоволення протягом багатьох років.

**Числа у наступному тексті відносяться до креслень на сторінці 2-3**

*Перед початком експлуатації машини уважно прочитайте дане керівництво. Ознайомтесь з принципом її роботи і керування. Здійсніть технічне обслуговування машини у відповідності до інструкцій для її подальшого бездоганного функціонування. Керівництво з експлуатації і відповідну документацію необхідно зберігати поблизу від машини.*

**Зміст**

1. Характеристики машини
2. Інструкції щодо безпеки
3. Зборка
4. Використання
5. Обслуговування та експлуатація

**Введення**

Інше використання, окрім полірування та легкої шліфовки, суворо заборонене.

**1. ХАРАКТЕРИСТИКИ  
МАШИНИ****Технічний опис**

Напруга	230-240 V~
Частота	50 Hz
Вхідна потужність	1400 Вт
Швидкість холостого ходу	1000-3300/хв
Діаметр кола	180 мм
Розміри шпинделя	M 14

Вага	3,3 кг
$L_{pa}$ (тиск звуку)	86+3 дБ(A)
$L_{wa}$ (потужність звуку)	97+3 дБ(A)
Значення вібрації	3.51+1.5 м/с <sup>2</sup>

### Рівень вібрації

Рівень вібрації, зазначений в кінці даного посібника з експлуатації, було виміряно у відповідності зі стандартизованим випробуванням, що міститься в EN 60745; дана характеристика може використовуватися для порівняння одного інструмента з іншим, а також для попередньої оцінки впливу вібрації під час застосування даного інструмента для вказаних цілей

- при використанні інструмента в інших цілях або з іншими/несправними допоміжними пристосуваннями рівень впливу вібрації може значно підвищуватися
- у періоди, коли інструмент вимикнений або функціонує без фактичного виконання роботи, рівень впливу вібрації може значно знижуватися

захищайте себе від впливу вібрації, підтримуючи інструмент і його допоміжні пристосування в справному стані, підтримуючи руки в теплі, а також правильно організовуючи свій робочий процес

### Характеристики

#### Рис. 1

1. Перемикач вмик./вимик.
2. Регулювання швидкості
3. U-подібна ручка
4. Тримач полірувальника
5. Замок шпинделя
6. Стрілочний замикач

## 2. ІНСТРУКЦІЇ ЩОДО БЕЗПЕКИ

### Уважно читайте інструкції.



*Ризик uszkodження матеріалу й/або фізичних травм.*



*Указує на присутність напруги.*



*Використовуйте затиск шпинделя тільки в режимі очікування.*



*Стороннім вхід заборонено.*



*Носить захисні окуляри та шумозахисні навушники.*



*Носить захисні рукавички*



*Кількість оборотів машини можна регулювати електронно.*

### Попередження з техніки безпеки, які стосуються операцій шліфування, очищення дротяною щіткою або полірування:

- а) Цей електричний інструмент призначений для використання в якості піскоструминного апарату, дротяної щітки, полірувальної машини. Прочитайте усі правила з техніки безпеки, інструкції, перегляньте малюнки та технічні характеристики, що посталяються з цим електричним інструментом. Невиконання перерахованих нижче інструкцій може призвести до ураження електричним струмом, пожежі та/або серйозної травми.
- б) Не рекомендується виконувати операції подрібнення та відрізання, використовуючи цей електричний інструмент. Виконання операцій, для яких цей електричний інструмент не призначений, можуть стати причиною виникнення небезпечної ситуації і травми.
- в) Не використовуйте ніяких аксесуарів, що не були спеціально розроблені та не рекомендовані виробником інструменту. Той факт, що певний аксесуар можна встановити на інструмент, не гарантує безпечної роботи.
- г) Номінальна швидкість аксесуару має хоча б дорівнювати максимальній швидкості, позначені на інструменті. Аксесуари, що працюють швидше їхньої номінальної швидкості, можуть зламатися та розлетітися.
- д) Зовнішній діаметр та товщина аксесуару повинні відповідати характеристикам продуктивності Вашого електричного інструменту. Аксесуари невірної розміру

неможливо закріпити та контролювати відповідним чином.

- f) Розмір оправлення крігів, фланців, опорних дисків та інших аксесуарів повинен відповідати розміру шпінделя інструменту. Аксесуари з отворами оправлення, що не відповідають елементам кріплення електричного інструменту, будуть працювати невірноважено, з надмірною вібрацією та можуть призвести до втрати контролю.
- g) Не використовуйте пошкоджені аксесуари. Перед кожним використанням необхідно оглянути всі аксесуари, як абразивні круги на наявність тріщин та пошкоджень, опорні диски на наявність тріщин, розривів та надмірного зносу, дровотві щітки на міцність фіксації або пошкоджені дроти. Якщо інструмент або аксесуари падали, перевірте їх на наявність пошкоджень або встановіть непошкоджені аксесуари. Після перевірки та встановлення аксесуару встаньте самі та розташуйте інших людей подалі від площини обертання аксесуару та запустіть інструмент на максимальну швидкість без навантаження на одну хвилину. Пошкоджені аксесуари звичайно ламаються під час цього тесту.
- h) Використовуйте особисте захисне обладнання. В залежності від способу використання необхідно використовувати захисний щиток для обличчя, або захисні окуляри. За необхідності використовуйте протипиловий респіратор, засоби захисту слуху, рукавички та робочий фартух, що захистять Вас від маленьких абразивних частинок або уламків. Засоби захисту очей повинні захищати Вас від літаючого сміття, що утворюється під час виконання певних операцій. Протипилова маска або респіратор повинні забезпечити фільтрацію частинок, що утворюються під час роботи. Тривале перебування в умовах з підвищеним рівнем шуму може призвести до втрати слуху.
- i) Утримуйте сторонніх подалі від робочої зони. Всі, хто входить в робочу зону, повинні вдягати засоби особистого захисту. Уламки деталей або аксесуарів можуть відлетіти та спричинити травму навіть не безпосередньо біля місця роботи.
- j) Тримайте інструмент лише за ізольовану поверхню при виконанні операцій, при яких ріжучі аксесуари можуть торкнутися

схованих кабелів або власного кабелю.

- Ріжучі аксесуари при контакті з кабелями під напругою можуть зарядити металеві деталі інструменту та призвести до ураження оператора електричним струмом.
- k) Розташуйте кабель подалі від аксесуара, що обертається. Якщо Ви втратите контроль, кабель може бути перерізаний або заплутаний, а Ваша рука може потрапити в аксесуар, що обертається.
- l) Ніколи не кладіть інструмент на землю, доки аксесуар не буде повністю зупинений. Аксесуар, що обертається, може зачепити поверхню, та Ви можете втратити контроль над інструментом.
- m) Не вмикайте інструмент, коли несете його біля свого боку. Випадковий контакт з аксесуаром, що обертається, може зачепити Ваш одяг та штовхнути аксесуар на Вас.
- n) Регулярно очищуйте вентиляційні отвори інструменту. Вентилятор мотору втягує вил в корпус, а надмірна кількість порошкового металу може призвести до небезпеки ураження електричним струмом.
- o) Не використовуйте електричний інструмент біля вогнебезпечних матеріалів. Іскри можуть запалити ці матеріали.
- p) Не використовуйте аксесуари, що вимагають рідких охолоджувачів. Використання води або інших рідких охолоджувачів може призвести до ураження електричним струмом.

#### **Віддача та відповідні попередження**

Віддача - це раптова реакція на затиснення або перешкоду рухомого колеса, опорного диску, щітки або іншого аксесуару.

Затиснення або перешкода викликає різку зупинку рухомого аксесуару, що в свою чергу викликає неконтрольовану силу інструменту, направлену у напрямку, протилежному до напрямку обертання аксесуару в точці з'єднання.

Наприклад, якщо абразивний круг заїдає або затиснений заготовкою, край круга, що входить в заготовку в місці затиснення, може увійти в поверхню матеріалу, спричинивши вивільнення круга та віддачу. Круг може відскочити в сторону або на оператора, в залежності від напрямку руху круга в місці затиснення. Абразивні круги можуть також зламатися за таких умов.



Віддача є результатом невірної використання інструменту та/або невідповідності операції або умов, її можна уникнути, вживаючи відповідних заходів, що наведені нижче.

- a) Добре тримайте інструмент та розташуйте своє тіло та руки таким чином, щоб була змога вчинити опір силам віддачі. Завжди використовуйте допоміжні ручки, якщо такі наявні, для максимального контролю віддачі або реактивного крутного моменту під час запуску. Оператор може контролювати реактивні крутні моменти та сили віддачі за умови, що він виконує всі заходи техніки безпеки.
- b) Ніколи не тримайте руку біля аксесуару, що обертається. Може виникнути віддача та травмувати руку.
- c) Не розташуйте тіло в місцях, де електричний інструмент буде рухатись, якщо виникне віддача. Віддача прискорить рух інструменту в напрямку протилежному руху круга в місці заїдання.
- d) Будьте особливо уважними при обробці кутів, гострих країв, тощо. Уникайте сильних ударів та заїдання аксесуарів. Кути, гострі краї або сильні удари можуть призвести до заїдання аксесуару та спричинити втрату контролю або віддачу.
- e) Не встановлюйте пильне полотно для різьблення по дереву або зубчате пильне полотно. Такі полотна часто призводять до віддачі та втрати контролю.

#### **Використання подовжувальних кабелів**

- Для вхідної потужності машини використовуйте лише вибухобезпечний подовжувальний кабель. Мінімальний розмір кабелю складає 1,5 мм<sup>2</sup>. При використанні кабельного барабану завжди повністю розкручуйте барабан.
- Перевірте, щоб максимальна швидкість, вказана на шліфувальному крузі, відповідала максимальній швидкості машини. Швидкість машини не повинна перевищувати величину на шліфувальному крузі.
- Переконайтеся, що шліфувальний круг було встановлено й закріплено відповідним чином. Не використовуйте кільця, що редукують, чи оправки для забезпечення

- правильної посадки шліфувального круга.
- Поводьтесь зі шліфувальними кругами та зберігайте їх у відповідності до інструкцій постачальника.
- Не використовуйте машину для шліфування заготовок, максимальна ширина яких перевищує максимальну шліфувальну глибину шліфувального круга.
- Не використовуйте шліфувальні круги для знаття задирок.
- Якщо необхідно встановити шліфувальні круги на різьбі шпинделя, переконайтеся, що шпиндель має відповідну різьбу. Переконайтеся, що шпиндель достатньо захищений і не торкається шліфувальної поверхні.
- Перед використанням перевірте шліфувальний круг на наявність будь-яких ушкоджень. Не використовуйте шліфувальні круги, якщо вони тріснули, розрізані чи мають інші пошкодження.
- Перед використанням запустіть машину на холостому ході на 30 секунд. При наявності ненормальних вібрацій чи повного пошкодження негайно вимкніть машину. Перед тим, як знову ввімкнути машину, уважно огляньте машину та шліфувальний диск.
- Переконайтеся, що іскри безпечні для людини, чи що вони не торкаються легкозаймистих речовин.
- Переконайтеся, що заготовка підтримана чи закріплена певним чином. Не торкайтеся руками до поверхні, що обробляється.
- Завжди носіть захисні окуляри та пристрої для захисту слуху. За бажанням чи за необхідністю використовуйте також інші види захисту, як, наприклад, фартух або шолом.

Немедленно выключите машину в случае обнаружения следующего:

- Неисправной штепсельной вилки или сетевого шнура.
- Неисправности выключателя.
- Перегрева циркулярной пилы.
- Дыма или запаха горелой изоляции.

### Правила електробезпеки

Увага! При використанні електроприладів завжди дотримуйтеся місцевих вимог з техніки безпеки стосовно ризику виникнення пожеж, враження електрострумом і травмування. Окрім наступних вказівок також прочитайте вимоги до техніки безпеки у відповідній окремій частині. Дане керівництво необхідно надійно зберігати!



*Завжди перевіряйте, щоб електроживлення відповідало напрузі на таблиці технічних даних.*



*Станок II класу – Подвійна ізоляція – Необхідна вилка з заземленням*

### Заміна мережевих шнурів і вилок штекера

Утилізуйте старі кабелі і вилки штекера безпосередньо після того, як вони замінюються на нові. Підключення вилок штекера незакріпленого шнура до розетки небезпечно.

### Використання подовжувачів

Використовуйте лише дозволений подовжувальний кабель, що відповідає потужності машини. Необхідно, щоб жили мали мінімальний поперечний переріз 1,5мм<sup>2</sup>. Якщо кабель намотаний на катушку, його слід повністю розмотати.

## 3. ЗБОРКА



*Перед установкою допоміжного обладнання завжди вимикайте інструмент з розетки.*

### Зборка ручки

#### Рис. 2

Ручка підходить для використання лівою та правою рукою.

- Встановіть ручку таким чином, щоб отвори відповідали отворам для гвинтів на машині.
- Закріпіть ручку болтами та шестигрунтним ключем.

### Акcesуари для збирання

#### Рис. 3

- Натиснути затиск шпінделя
- Закрутити та затягнути тримач полірувальника на шпінделі
- Відпустити затиск шпінделя
- Встановити полірувальник (4) на тримач полірувальника (5).

### Акcesуари

#### Рис. 4

#### Полірувальник (3)

У комбінації з волоконним полірувальником використовується для дзеркального полірування та воскування.

#### Полірувальник для дерева (4)

Використовується для глянцевої обробки.

## 4. ВИКОРИСТАННЯ



*Завжди дотримуйтеся правил техніки безпеки та додержуйтеся належних інструкцій.*

- Тримайте машину подалі від виробу під час її вмикання та вимикання.
- Завжди спочатку вимикайте машину після користування, перед тим як вийняти вилку з розетки.

### Контроль швидкості

#### Рис. 5

Швидкість кола можна контролювати за допомогою поворотної кнопки у верхній частині ручки. Чим вища позиція, тим більша швидкість.

### Включення і вимкнення механізму

#### Рис. 6

- Цей інструмент оснащений захисним вимикачем.
- Запустіть інструмент, натиснувши кнопку розблокування (для розмикання контакту вимикача) та увімкнувши інструмент.

### Вимкнути

Відпустіть перемикач.



*Полірувальник продовжуватиме роботу після вимкнення.*

Покладіть машину на землю як тільки двигун перестане обертатися. Не кладіть машину на пилну поверхню. Пилкові частинки можуть проникнути у машину.



*Ніколи не використовуйте ключ шпинделя, щоб зупинити двигун.*

## 5. ОБСЛУГОВУВАННЯ ТА ЕКСПЛУАТАЦІЯ



*Впевніться, що машина не підключена до мережі, під час поточного ремонту двигуна.*

Ця машина розроблена таким чином, щоб працювати без проблем на протязі довгого періоду часу з мінімальним ремонтом. Тривала задовільна робота залежить від правильного догляду за машиною та регулярної очистки.



*Ремонт та обслуговування повинні виконуватися тільки кваліфікованим технічним персоналом.*

### Очищення

Тримайте вентиляційні отвори машини чистими, щоб уникнути перегріву двигуна. Регулярно чистіть поверхні машини м'якою тканиною, бажано після кожного використання. Перевіряйте, щоб вентиляційні отвори були вільними від пилу та сміття. Якщо бруд не очищується, використовуйте м'яку тканину, змочену мильною водою. Ніколи не застосовуйте такі розчинники, як бензин, алкоголь, аміачна вода і т.ін. Ці розчинники можуть пошкодити пластикові деталі

### Дефекти

При виникненні дефектів, наприклад, при зношуванні деталі, будь ласка, зверніться до сервісної служби за адресою, вказаною на гарантійному талоні. Заду цієї інструкції ви знайдете розширений огляд деталей, які можна придбати.

## СЕРЕДОВИЩЕ

Щоб уникнути пошкодження під час транспортування, прилад постачається в міцній упаковці, яка в основному складається з придатного для повторної обробки матеріалу. Тому скористайтеся можливостями повторної переробки упаковок.



*Пошкоджений та/або бракувальний електричний або електронний апарат необхідно віддати у спеціально відведені для цього місця.*

### Тільки для країн ЄС

Забороняється викидати електроінструменти у побутові відходи. Відповідно до Директиви ЄС 2012/19/EU про відходи електричного і електронного обладнання і її застосування до національних законів, електроінструменти, що не підлягають подальшому використанню, необхідно збирати окремо і утилізувати шляхом екологічно нешкідливої переробки.

## ГАРАНТІЯ

Гарантійні умови див. у гарантійному талоні, що постачається окремо.

**Продукт та посібник користувача можуть змінюватися. Технічні характеристики можуть змінюватися без додаткового попередження.**

## ΓΩΝΙΑΚΟΣ ΣΤΙΛΒΩΤΗΣ 1400W - 180MM

### Ευχαριστούμε που αγοράσατε αυτό το προϊόν Ferm.

Με αυτή την επιλογή σας έχετε ένα θαυμάσιο προϊόν, που παρέχεται από έναν από τους κορυφαίους κατασκευαστές της Ευρώπης. Όλα τα προϊόντα που σας παρέχονται από τη Ferm κατασκευάζονται σύμφωνα με τα υψηλότερα πρότυπα απόδοσης και ασφάλειας και ως μέρος της φιλοσοφίας μας παρέχουμε εξαιρετική εξυπηρέτηση πελατών, που συνοδεύεται από εγγύηση 3 ετών.

Ελπίζουμε να απολαύσετε τα χρόνια αυτού του προϊόντος για πολλά χρόνια ακόμα.

### Οι αριθμοί που περιέχονται στο κείμενο αναφέρονται στα διαγράμματα, που υπάρχουν στις σελίδες 2 - 3.



Για τη δική σας ασφάλεια, αλλά και για την ασφάλεια των άλλων, προτείνουμε να διαβάσετε προσεκτικά αυτό το εγχειρίδιο οδηγιών πριν από τη χρήση αυτού του πριονιού. Να φυλάσσετε αυτό το εγχειρίδιο οδηγιών, καθώς και το υλικό τεκμηρίωσης που συνοδεύει το πριόνι για μελλοντική αναφορά.

### Περιεχόμενα

1. Πληροφορίες μηχανήματος
2. Οδηγίες ασφαλείας
3. Συναρμολόγηση
4. Χρήση
5. Σέρβις & συντήρηση

### Εισαγωγή

Άλλη χρήση διαφορετική από στίλβωση και ελαφριά έκτριψη απαγορεύεται αυστηρά.

## 1. ΠΛΗΡΟΦΟΡΗΣ ΜΗΧΑΝΗΜΑΤΟΣ

### Τεχνικές προδιαγραφές

Τάση	230-240 V~
Συχνότητα	50 Hz
Είσοδος ισχύος	1400 W
Ταχύτητα χωρίς φορτίο	1000-3300/min
Διάμετρος δίσκου	180 mm
Διάμετρος ατράκτου	M14

Βάρος	3.4 κιλά
$L_{pa}$ (πίεση ήχου)	86+3 dB(A)
$L_{wa}$ (ισχύς ήχου)	97+3 dB(A)
Τιμή κραδασμών	3.51+1.5 m/s <sup>2</sup>

### Επίπεδο κραδασμών

Το επίπεδο παραγωγής κραδασμών που αναγράφεται στ πίσω μέρος του παρόντος εγχειριδίου οδηγιών έχει μετρηθεί σύμφωνα με μια τυποποιημένη δκιμή που αναφέρεται στο πρότυπο EN 60745 - μπορεί να χρησιμοποιηθεί για τη σύγκριση ενός εργαλείου με ένα άλλο, καθώς και ως προκαταρκτική αξιολόγηση της έκθεσης στους κραδασμούς όταν το εργαλείο χρησιμοποιείται για τις εφαρμογές που αναφέρονται

- η χρήση του εργαλείου για διαφορετικές εφαρμογές ή με διαφορετικά ή κακοσυντηρημένα εαρήματα μπορεί να αυξήσει σημαντικά το επίπεδο έκθεσης
- όταν το εργαλείο είναι απενεργοποιημένο ή δυλεύει αλλά δεν εκτελεί την εργασία, το επίπεδο έκθεσης μπορεί να μειωθεί σημαντικά

! προστατευτείτε απο τις επιδράσεις των κραδασμών συντηρώντας σωστά το εργαλείο και τα εξαρτήματά του, διατηρώντας τα χέρια σας ζεστά και οργανώνοντας τον τρόπο εργασίας σας

### Χαρακτηριστικά

#### Εικ. 1

1. Διακόπτης On/off
2. Έλεγχος ταχύτητας
3. Λαβή σχήματος U
4. Συγκρατητήρας επένδυσης
5. Κλειδίωμα ατράκτου
6. Κλειδίωμα διακόπτη

## 2. ΟΔΗΓΙΕΣ ΑΣΦΑΛΕΙΑΣ

### Επεξήγηση των συμβόλων



Επισημαίνει τον κίνδυνο πρόκλησης σωματικών βλαβών, θανάτου ή βλάβης στο μηχάνημα σε περίπτωση μη τήρησης των οδηγιών που αναγράφονται σε αυτό το εγχειρίδιο.



Επισημαίνει τον κίνδυνο ηλεκτροπληξίας.



*Το μπλοκάρισμα του αξονίσκου χρησιμοποιείτε μόνο επί τη σταματημένη μηχανή.*



*Κρατήστε σε απόσταση τους παρευρισκόμενους*



*Φοράτε γυαλιά ασφαλείας και ωτοασπίδες*



*Να φοράτε προστατευτικά γάντια.*



*Μεταβλητός έλεγχος ταχύτητας!*

**Προειδοποιήσεις ασφαλείας κοινές για εργασίες γυαλοχαρτίσματος, ξυσίματος με συρματόβουρτσα και στίλβωσης:**

- α) Αυτό το ηλεκτρικό εργαλείο προορίζεται να λειτουργεί ως εργαλείο γυαλοχαρτίσματος, τριψίματος με συρματόβουρτσα και στίλβωσης. Διαβάστε όλες τις προειδοποιήσεις ασφαλείας, τις οδηγίες, τις απεικονίσεις και τις προδιαγραφές που συνοδεύουν αυτό το ηλεκτρικό εργαλείο. Η μη τήρηση οποιασδήποτε από τις οδηγίες που αναφέρονται πιο κάτω μπορεί να έχει ως αποτέλεσμα ηλεκτροπληξία, πυρκαγιά και/ή σοβαρό τραυματισμό.
- β) Εργασίες όπως λείανση ή κοπή δεν συνιστάται να εκτελούνται με αυτό το ηλεκτρικό εργαλείο. Οι εργασίες για τις οποίες δεν έχει σχεδιαστεί το εργαλείο μπορεί να δημιουργήσουν κίνδυνο και να προκαλέσουν σωματική βλάβη.
- γ) Μη χρησιμοποιείτε εξαρτήματα εργασίας τα οποία δεν είναι ειδικά σχεδιασμένα και δεν συνιστώνται από τον κατασκευαστή του εργαλείου. Το γεγονός και μόνο ότι το εξάρτημα εργασίας μπορεί να προσαρμοστεί στο ηλεκτρικό σας εργαλείο δεν εγγυάται την ασφαλή λειτουργία του.
- δ) Η ονομαστική τιμή στροφών του εξαρτήματος εργασίας πρέπει να ισούται τουλάχιστον με τις μέγιστες στροφές που αναφέρονται στο ηλεκτρικό εργαλείο. Εξαρτήματα που λειτουργούν με στροφές περισσότερες από την ονομαστική τους τιμή στροφών μπορεί να σπασούν σε κομμάτια και να εκσφενδονιστούν.
- ε) Η εξωτερική διάμετρος και το πάχος του εξαρτήματος εργασίας που χρησιμοποιείτε πρέπει να βρίσκεται εντός της τιμής διαβάθμισης του ηλεκτρικού σας εργαλείου. Για εξαρτήματα λανθασμένου μεγέθους δεν μπορεί να παρέχεται επαρκής προφύλαξη ή έλεγχος.
- στ) Το μέγεθος ατράκτου τροχών, φλαντζών, υποθεμάτων στήριξης ή οποιουδήποτε άλλου εξαρτήματος εργασίας πρέπει να ταιριάζει σωστά στην άτρακτο του ηλεκτρικού εργαλείου. Εξαρτήματα με σπές ατράκτου που δεν ταιριάζουν με τα εξαρτήματα στερέωσης που διαθέτει το ηλεκτρικό εργαλείο θα περιστρέφονται εκτός ζυγοστάθμισης, θα δονούνται υπερβολικά και μπορεί να προκαλέσουν απώλεια του ελέγχου.
- ζ) Μη χρησιμοποιήσετε οποιοδήποτε εξάρτημα εργασίας έχει υποστεί ζημιά. Πριν από κάθε χρήση ελέγχετε εξαρτήματα εργασίας όπως δίσκους λείανσης για σπασίματα και ραγίσματα, τα υποθέματα στήριξης για ραγίσματα, σχίσιμο ή υπερβολική φθορά, τη συρματόβουρτσα για χαλαρά ή ραγισμένα σύρματα. Αν σας πύσει το ηλεκτρικό εργαλείο ή εξάρτημα εργασίας, ελέγξτε το για ζημιά ή τοποθετήστε στη θέση του ένα άθικτο εξάρτημα. Μετά τον έλεγχο και την αντικατάσταση ενός εξαρτήματος εργασίας, τοποθετήστε τον εαυτό σας και τους παρευρισκόμενους μακριά από το επίπεδο του περιστρεφόμενου εξαρτήματος εργασίας και αφήστε το ηλεκτρικό εργαλείο να λειτουργήσει για ένα λεπτό στις μέγιστες στροφές χωρίς φορτίο. Τα εξαρτήματα εργασίας που έχουν υποστεί ζημιά κατά κανόνα θα διαλυθούν στη διάρκεια αυτού του χρόνου δοκιμής.
- η) Φοράτε εξοπλισμό ατομικής προστασίας. Ανάλογα με την εφαρμογή, χρησιμοποιήστε προσωπίδα, γυαλιά ασφαλείας με πλευρικά καλύμματα ή απλά γυαλιά ασφαλείας. Επίσης φοράτε, μάσκα προστασίας από τη σκόνη, προστατευτικά ακοής, γάντια και ποδιά εργαστηρίου κατάλληλη για να προστατεύει από μικρά θραύσματα από τον τροχό ή το προς επεξεργασία τεμάχιο. Η χρησιμοποιούμενη προστασία ματιών πρέπει να μπορεί να σταματήσει εκσφενδονιζόμενα θραύσματα τα οποία παράγονται από διάφορες εργασίες. Η μάσκα κατά της σκόνης ή η αναπνευστική συσκευή πρέπει να έχει την ικανότητα να φιλτράρει σωματίδια που παράγονται από

την εργασία που εκτελείτε. Η παρατεταμένη έκθεση σε θόρυβο υψηλής έντασης μπορεί να προκαλέσει απώλεια ακοής.

- θ) Κρατάτε τους παρευρισκόμενους σε ασφαλή απόσταση από την περιοχή εργασίας. Οποιοσδήποτε εισέρχεται στην περιοχή εργασίας πρέπει να φορά εξοπλισμό ατομικής προστασίας. Θραύσματα από το προς επεξεργασία τεμάχιο ή από το εξάρτημα εργασίας μπορεί να εκτιναχθούν και να προκαλέσουν τραυματισμό ακόμα και εκτός της άμεσης περιοχής λειτουργίας.
- ι) Κρατάτε το ηλεκτρικό εργαλείο μόνο από τις μονωμένες επιφάνειες λαβής, όταν εκτελείτε μια εργασία όπου το εξάρτημα κοπής μπορεί να έρθει σε επαφή με κρυφή καλωδίωση ή με το καλώδιο του ίδιου του εργαλείου. Αν εξάρτημα κοπής έρθει σε επαφή με καλώδιο υπό ηλεκτρική τάση, τότε μπορεί να θέσει υπό ηλεκτρική τάση μεταλλικά μέρη του ηλεκτρικού εργαλείου και να προκαλέσει ηλεκτροπληξία στο χειριστή.
- ια) Τοποθετείτε το καλώδιο μακριά από το περιστρεφόμενο εξάρτημα εργασίας. Αν χάσετε τον έλεγχο του εργαλείου, το καλώδιο μπορεί να κοπεί ή να τεντωθεί σφιχτά και η παλάμη ή το χέρι σας να τραβηχτεί πάνω στο περιστρεφόμενο εξάρτημα εργασίας.
- ιβ) Ποτέ μην αφήσετε κάτω το ηλεκτρικό εργαλείο πριν σταματήσει τελείως να κινείται το εξάρτημα εργασίας. Το περιστρεφόμενο εξάρτημα μπορεί να πιαστεί στην επιφάνεια απόθεσης και να τραβήξει το ηλεκτρικό εργαλείο ώστε να βγει εκτός ελέγχου.
- ιγ) Μην έχετε σε λειτουργία το ηλεκτρικό εργαλείο καθώς το μεταφέρετε δίπλα σας. Σε περίπτωση αθέλητης επαφής, το περιστρεφόμενο εξάρτημα εργασίας θα μπορούσε να πιαστεί στα ρούχα σας και να τραβηχτεί πάνω στο σώμα σας.
- ιδ) Καθαρίζετε τακτικά τα ανοίγματα αερισμού του ηλεκτρικού εργαλείου. Ο ανεμιστήρας του κινητήρα θα αναρροφά τη σκόνη μέσα στο περίβλημα και υπερβολική συσσώρευση σκόνης μετάλλου μπορεί να προκαλέσει κινδύνους από το ηλεκτρικό ρεύμα.
- ιε) Μην έχετε σε λειτουργία το ηλεκτρικό εργαλείο κοντά σε εύφλεκτα υλικά. Οι σπινθήρες θα μπορούσαν να προκαλέσουν ανάφλεξη των υλικών αυτών.
- ιστ) Μην χρησιμοποιείτε εξαρτήματα εργασίας που απαιτούν ψύξη με ψυκτικά υγρά. Η χρήση

νερού ή άλλων ψυκτικών υγρών μπορεί να έχει σαν αποτέλεσμα ηλεκτροπληξία ή χτύπημα από το ρεύμα.

### **Κλώτσημα από το εργαλείο και σχετικές προειδοποιήσεις**

Το κλώτσημα είναι μια απότομη αντίδραση σε ένα μαγκωμένο ή σκαλωμένο περιστρεφόμενο τροχό, υπόθεμα στήριξης, βούρτσα ή οποιοδήποτε άλλο εξάρτημα εργασίας. Το μάγκωμα ή το σκάλωμα προκαλεί απότομο σταμάτημα του περιστρεφόμενου εξαρτήματος εργασίας που με τη σειρά του αναγκάζει το ηλεκτρικό εργαλείο να περιστραφεί σε κατεύθυνση αντίθετη από την κατεύθυνση περιστροφής του εξαρτήματος τη στιγμή του μαγκώματος. Για παράδειγμα, αν ένας τροχός σκαλώσει ή μαγκώσει στο προς επεξεργασία τεμάχιο, η άκρη του τροχού που εισέρχεται στο σημείο του μαγκώματος μπορεί να εισχωρήσει στην επιφάνεια του υλικού προκαλώντας απότομη έξοδο ή κλώτσημα του τροχού. Ο τροχός μπορεί να τιναχτεί είτε απομακρυνόμενο είτε προς το μέρος του χειριστή, ανάλογα με την κατεύθυνση κίνησης του τροχού τη στιγμή του μαγκώματος. Οι τροχοί μπορούν ακόμα και να σπάσουν υπό τις συνθήκες αυτές.

Το κλώτσημα είναι αποτέλεσμα της κακής χρήσης του ηλεκτρικού εργαλείου και/ή λανθασμένων διαδικασιών ή συνθηκών λειτουργίας και μπορεί να αποφευχθεί με τη λήψη κατάλληλων μέτρων προφύλαξης όπως αναφέρονται πιο κάτω:

- α) Κρατάτε πάντα σταθερά το ηλεκτρικό εργαλείο και τοποθετείτε το σώμα και το χέρι σας ώστε να μπορείτε να αντισταθείτε στις δυνάμεις του κλωτσήματος. Χρησιμοποιείτε πάντα τη βοηθητική λαβή, αν παρέχεται, για μεγιστοποίηση του ελέγχου σε περίπτωση κλωτσήματος ή αντίδρασης λόγω ροπήσ στρέψης κατά την εκκίνηση. Ο χειριστής μπορεί να ελέγξει τις δυνάμεις αντίδρασης στη ροπή στρέψης ή τις δυνάμεις κλωτσήματος αν λαμβάνονται κατάλληλες προφυλάξεις.
- β) Ποτέ μην τοποθετείτε το χέρι σας κοντά σε περιστρεφόμενο εξάρτημα εργασίας. Το εξάρτημα εργασίας μπορεί να κλωτσήσει και να χτυπήσει το χέρι σας.
- γ) Μην τοποθετείτε το σώμα σας στην περιοχή προς την οποία θα κινηθεί το ηλεκτρικό εργαλείο σε περίπτωση κλωτσήματος. Το κλώτσημα θα κινήσει το εργαλείο σε κατεύθυνση αντίθετη

με την κίνηση του τροχού τη στιγμή του μαγκώματος.

- δ) Καταβάλλετε ιδιαίτερη προσοχή όταν εργάζεστε σε γωνίες, αιχμηρές ακμές κλπ. Αποφεύγετε την αναπήδηση και το μάγκωμα του εξαρτήματος εργασίας. Οι γωνίες, οι αιχμηρές ακμές ή η αναπήδηση έχουν την τάση να προκαλούν μάγκωμα του περιστρεφόμενου εξαρτήματος εργασίας με αποτέλεσμα απώλεια του ελέγχου ή κλώτσημα.
- ε) Μην προσαρτήσετε λάμα κατεργασίας ξύλου ή πριονόλαμα. Οι λάμες αυτές προκαλούν συχνά κλώτσημα και απώλεια ελέγχου.

### Οδηγιο ασφαλ

- Ελέγξτε αν η μέγιστη ταχύτητα που επισημαίνεται πάνω στο δίσκο, αντιστοιχεί στη μέγιστη ταχύτητα του μηχανήματος. Η ταχύτητα του μηχανήματος δεν πρέπει να ξεπερνά την τιμή που αναγράφεται πάνω στο δίσκο.
- Βεβαιωθείτε ότι οι διαστάσεις του δίσκου αντιστοιχούν στις προδιαγραφές του μηχανήματος.
- Φροντίστε να τοποθετήσετε σωστά και να σφίξετε καλά το δίσκο. Μη χρησιμοποιήσετε δακτυλίου μειωτήρες ή αντάπορες για να προσαρμόσετε σωστά το δίσκο.
- Να μεταχειρίζεστε και να αποθηκεύετε τους δίσκους σύμφωνα με τις οδηγίες του κατασκευαστή.
- Μη χρησιμοποιείτε το μηχανήμα για τη λείανση τεμαχίων εργασίας με μέγιστο πάχος που ξεπερνά το μέγιστο βάθος λείανσης του δίσκου.
- Μη χρησιμοποιείτε τους δίσκους λείανσης για να πάρετε τα γρέζια.
- Όταν πρέπει να τοποθετήσετε το δίσκο στο σπείρωμα της ατράκτου, βεβαιωθείτε ότι το σπείρωμα της ατράκτου έχει αρκετές βόλτες. Βεβαιωθείτε ότι η άτρακτος είναι καλά προστατευμένη και δεν έρχεται σε επαφή με την επιφάνεια λείανσης.
- Πριν χρησιμοποιήσετε το μηχανήμα, επιθεωρήστε το φιοκο για να δείτε αν έχει πθει κάποια ζημιά. Μη χρησιμοποιείτε δίσκους που είναι ραγισμένοι ή κομμένοι ή έχουν πάθει οποιαδήποτε άλλη ζημιά.
- Πριν χρησιμοποιήσετε το μηχανήμα, αφήστε το να λειτουργήσει χωρίς φορτίο για 30 δευτερόλεπτα. Αν παρουσιαστούν αφύσικοι κραδασμοί ή οποιαδήποτε άλλη ελάττωση, σβήστε αμέσως το μηχανήμα. Ελέγξτε προσεκτικά το μηχανήμα και το δίσκο, πριν ανάψετε πάλι το μηχανήμα.
- Φροντίστε οι σπινθήρες να μη βάζουν ανθρώπους σε κίνδυνο, ούτε να έρχονται σε επαφή με εύφλεκτα υλικά.
- Φροντίστε το τεμάχιο εργασίας να στηρίζεται ή να είναι σφιγμένο καλά. έρχονται σε επαφή με εύφλεκτα υλικά.
- Να φοράτε πάντα προστατευτικά γυαλιά και ωτοασπίδες. Αν το επιθυμείτε ή είναι υποχρεωτικό, να φοράτε επίσης και άλλο είδος προστασίας, όπως για παράδειγμα ποδιά ή κράνος.
- Βεβαιωθείτε ότι οι τοποθετημένοι τροχοί και τα σημεία προσαρμόζονται σύμφωνα με τις οδηγίες του κατασκευαστή.
- Βεβαιωθείτε ότι τις χρησιμοποιούνται στην πόχρτα όταν παραδίδονται με το συνδεδεμένο λειαντικό προϊόν και όταν απαιτούνται.
- Αν μαζί με το εργαλείο παραδίδεται προφυλακτήρας, μη χρησιμοποιείτε ποτ το εργαλείο χωρίς προφυλακτήρα.
- Για εργαλεία στα οποία πρόκειται να προσαρμοστεί τροχός που φέρει κοχλοτομημένη σπή, βεβαιωθείτε ότι το σπείρωμα στον τροχό έχει αρκετό μήκος για να δεχτεί το μήκος τον άξονα.
- Βεβαιωθείτε ότι οι σπές αερισμού διατηρούνται ελεύθερες όταν εργάζεστε σε συνθήκες σκόνης. Αν χρειαστεί να απομακρύνετε τη σκόνη, αποσυνδέστε πρώτα το εργαλείο από την παροχή τον δικτύου (χρησιμοποιήστε μη μεταλλικά αντικείμενα) και αποφύγετε να προκαλέσετε ζημιά στα εσωτερικά μέρη.
- Λόγω κακών συνθηκών τον ηλεκτρικού δικτύου, μπορούν να εμφανιστούν ττομες πτώσεις τάσης όταν γίνεται εκκίνηση της συσκευής. Αυτό μπορεί να επη ρεάσει άλλες συσκευές (π.χ. αναβόσσημα λάμπας). Αν η σύνθετη αντίσκη του δικτύου είναι Zmax < 0,348 Ohm, δεν αναμένονται τέτοιες διαταραχές. (Σε περίπτωση ανάγκης, μπορείτε να αποταθείτε στον τοπικό αντιπρόσωπο για πρόσθετες πληροφορίες).



Απενεργοποιήσατε αμεσώς το μηχάνημα όταν:

- Υπάρχει υπερβολικός σπινθηρισμός των άνθρακα-ψηκτρών και της κατακορύφωσης στον συλλέκτη.
- Υπάρχει διακοπή του κυρίως βύσματος, του κυρίως καλώδιου ή φθορά στο κυρίως καλώδιο.
- Υπάρχει ελαττωματικός διακόπτης.
- Υπάρχει καπνός ή δυσοσμία από καιγόμενη μόνωση.

### Ηλεκτρική ασφάλεια

Όταν χρησιμοποιείτε ηλεκτρικά εργαλεία να τηρείτε πάντα τους κανόνες ασφαλείας που ισχύουν στη χώρα σας, για να περιορίσετε τον κίνδυνο πυρκαγιάς, ηγекτροπληξίας και τραυματισμού. Διαβάστε τις εσωκλειόμενες οδηγίες ασφαλείας. Φυλάξτε αυτές τις οδηγίες σε ασφαλές μέρος.



*Να ελέγχετε πάντα αν η τροφοδοσία ηλεκτρικού ρεύματος αντιστοιχεί στην ηλεκτρική τάση που αναγράφεται στην πινακίδα τεχνικών στοιχείων του μηχανήματος.*



*Μηχανή Κλάσης II – διπλή μόνωση – δεν απαιτείται γειωμένος ρευματολήπτης*

### Αντικατάσταση καλώδιου ή φις

Πετάξτε αμέσως το πλιό καλώδιο ή φις, αφού τα αντικαταστήσετε με καινούργιο. Είναι επικίνδυνο να βάλετε στην πρίζα το φις ενός κομμένου καλώδιου.

### Χρήση μπαλαντέζας

Χρησιμοποιήστε μόνο εγκεκριμένο καλώδιο, κατάλληλο για την ισχύ εισόδου του μηχανήματος. Το ελάχιστο μέγεθος αγωγού είναι 1,5 mm<sup>2</sup>. Όταν χρησιμοποιείτε μπαλαντέζα σε καρούλα, να ξετυλίγετε τελειώς την καρούλα.

## 3. ΣΥΝΑΡΜΟΛΟΓΗΣΗ



*Πριν την τοποθέτηση ενός αξεσουάρ αποσυνδέετε πάντα το εργαλείο.*

### Τοποθέτηση της λαβής

#### Εικ. 2

Η λαβή είναι κατάλληλη είτε για αριστερόχειρες είτε για δεξιόχειρες.

- Εγκαταστήστε τη λαβή έτσι ώστε οι οπές να ταιριάζουν στις οπές βιδώματος του μηχανήματος.
- Σφίξτε τη λαβή με τα μπουλόνια και το εξάγωνο κλειδί.

### Αξεσουάρ συναρμολόγησης

#### Εικ. 3

- Πατήστε την ασφάλεια ατράκτου
- Βιδώστε και σφίξτε τον συγκρατητήρα επένδυσης στην άτρακτο
- Συμπιέστε την ασφάλεια ατράκτου
- Τοποθετήστε την επένδυση στίλβωσης επάνω (4) στον συγκρατητήρα επένδυσης (5).

### Αξεσουάρ

#### Εικ. 4

#### Επένδυση στίλβωσης (3)

Αυτή χρησιμοποιείται για στίλβωση υψηλής γυαλάδας και για κέρωμα.

#### Μάλλινη επένδυση στίλβωσης (4)

Αυτή χρησιμοποιείται για ένα φινίρισμα υψηλής γυαλάδας.

## 4. ΧΡΗΣΗ



*Ακολουθείτε πάντα τις οδηγίες ασφαλείας και τηρείτε τους ισχύοντες κανονισμούς.*

- Κρατάτε το μηχάνημα μακριά από το τεμάχιο επεξεργασίας όταν το ενεργοποιείτε και απενεργοποιείτε.
- Πάντα απενεργοποιείτε πρώτα το μηχάνημα μετά τη χρήση πριν απομακρύνετε την πρίζα από την υποδοχή.

### Έλεγχος ταχύτητας

#### Εικ. 5

Η ταχύτητα του δίσκου μπορεί να ελεγχθεί με το περιστρεφόμενο κουμπί επάνω στη λαβή.

Όσο πιο υψηλή η θέση, τόσο πιο μεγάλη η ταχύτητα.

## Ενεργοποίηση/απενεργοποίηση του μηχανήματος

### Εικ. 6

- Το μηχάνημα αυτό διαθέτει διακόπτη ασφαλείας.
- Ενεργοποιήστε τη μηχανή πιέζοντας το κουμπί ξεκλειδώματος (για να απελευθερώσετε το διάκόπτη) και το διάκόπτη που βρίσκεται πάνω στο μηχάνημα.

### Απενεργοποιήστε

Αφήστε το διακόπτη.



*Ο λειαντής θα συνεχίσει να λειτουργεί αφότου απενεργοποιηθεί.*

Αποθέστε το μηχάνημα μόνο αφού το μοτέρ έχει σταματήσει εντελώς να περιστρέφεται. Μην τοποθετείτε το μηχάνημα σε μια επιφάνεια με σκόνη. Μπορεί να διεισδύσουν σωματίδια σκόνης μέσα στο μηχάνημα.



*Ποτέ μην χρησιμοποιείτε το κλειδί ατράκτου για να σταματήσετε την περιστροφή του μοτέρ.*

## 5. ΣΕΡΒΙΣ & ΣΥΝΤΗΡΗΣΗ



*Εξασφαλίστε ότι το μηχάνημα δεν είναι ενεργό όταν διεξάγετε εργασίες συντήρησης στο μοτέρ.*

Αυτό το μηχάνημα έχει σχεδιαστεί για να λειτουργεί για μεγάλη χρονική περίοδο με ελάχιστη συντήρηση.



*Οι επισκευές και το σέρβις πρέπει να διεξάγονται από έναν εξειδικευμένο τεχνικό ή μια εταιρεία για σέρβις.*

### Καθαρισμός

Διατηρείτε τις εγκοπές αερισμού του μηχανήματος καθαρές ώστε να εμποδίζεται υπερθέρμανση του μοτέρ. Καθαρίζετε τακτικά το περίβλημα μηχανήματος με ένα μαλακό πανί, κατά προτίμηση μετά από κάθε χρήση. Διατηρείτε τις εγκοπές αερισμού ελεύθερες από σκόνη και ακαθαρσίες. Εάν οι ακαθαρσίες δεν βγαίνουν,

χρησιμοποιήστε ένα μαλακό πανί το οποίο θα έχετε βρέξει ελαφρώς με σαπουνόνερο. Ποτέ μην χρησιμοποιείτε διαλυτικά όπως βενζίνη, αλκοόλ, αμμωνία κλπ. Αυτά τα διαλυτικά ίσως προκαλέσουν βλάβη στα πλαστικά τμήματα.

### Σφάλματα

Εάν υπάρξει σφάλμα, π.χ. μετά από φθορά εξαρτήματος, παρακαλούμε επικοινωνήστε με τη διεύθυνση του σέρβις που υπάρχει στην κάρτα εγγύησης. Στο πίσω μέρος αυτού του εγχειριδίου θα βρείτε μια μεγεθυμένη άποψη που δείχνει τα εξαρτήματα που μπορούν να παραγγελθούν.

## Περιβάλλον

Για να εμποδίσετε ζημιά κατά την μεταφορά, η συσκευή παραδίδεται σε μια ανθεκτική συσκευασία η οποία αποτελείται κατά πολύ από επαναχρησιμοποιήσιμα υλικά. Για το λόγο αυτό παρακαλούμε χρησιμοποιήστε τις επιλογές σας για την ανακύκλωση της συσκευασίας.



*Οι ελαττωματικές και/ή χαλασμένες ηλεκτρικές ή ηλεκτρονικές συσκευές πρέπει να συλλέγονται στις κατάλληλες τοποθεσίες ανακύκλωσης.*

### Μόνο για χώρες της ΕΕ

Μην απορρίπτετε ηλεκτρικά εργαλεία στα οικιακά απόβλητα. Σύμφωνα με την Ευρωπαϊκή Οδηγία 2012/19/EU για Απορριπτόμενο Ηλεκτρικό και Ηλεκτρονικό Εξοπλισμό και την εφαρμογή της στο εθνικό δίκαιο, τα ηλεκτρικά εργαλεία που έχουν παύσει να είναι χρησιμοποιήσιμα πρέπει να συλλέγονται ξεχωριστά και να απορρίπτονται με τρόπο φιλικό προς το περιβάλλον.

## Εγγύηση

Οι όροι εγγύησης μπορούν να βρεθούν στην ξεχωριστή εσωκλειστή κάρτα εγγύησης.

**Το προϊόν και το εγχειρίδιο χρήσης μπορεί να αλλάξουν. Οι προδιαγραφές μπορούν να τροποποιούνται χωρίς προειδοποίηση.**

## POLISAJ MAKİNESİ 1400W - 180MM

**Bu Ferm ürününü satın aldığınız için teşekkür ederiz.** Bu sayede artık Avrupa'nın önde gelen sağlayıcılarından biri tarafından teslim edilen, mükemmel bir ürüne sahipsiniz. Ferm tarafından size teslim edilen bütün ürünler en yüksek performans ve güvenlik standartlarına göre üretilmiştir. Felsefemizin bir parçası olarak ayrıca kapsamlı garantimiz tarafından desteklenen mükemmel bir müşteri hizmeti sağlıyoruz. Umarız bu ürünü gelecek yıllar boyunca kullanmaktan zevk alırsınız

**Metindeki numaralar sayfa 2-3'teki şemaları işaret etmektedir**



*Ekteki güvenlik uyarılarını, ilave güvenlik uyarılarını ve talimatları okuyun. Güvenlik uyarılarını ve talimatları izlememek elektrik çarpması, yangın ve/veya ciddi yaralanma ile sonuçlanabilir. Güvenlik uyarılarını ve talimatları gelecekte referans olması için saklayın.*

### İçindekiler

1. Makine verileri
2. Güvenlik talimatları
3. Montaj
4. Kullanım
5. Servis ve bakım

### Giriş

Parlatma ve hafif zımparalama harici bir kullanım kesinlikle yasaktır.

## 1. MAKİNE VERİLERİ

### Teknik spesifikasyonlar

Şebeke voltajı	230-240 V~
Şebeke frekansı	50 Hz
Güç girişi	1400 W
Anma hızı	1000-3300/min
Çap	180 mm
Dingil dişi	M 14
Ağırlık	3.3 kg
Ses basıncı (L <sub>PA</sub> )	86+3 dB(A)
Akustik güç (L <sub>WA</sub> )	97+3 dB(A)
Vibrasyon "Yüzey taşıma" a <sub>h,AG</sub>	3.51+1.5 m/s <sup>2</sup>

### Vibrasyon seviyesi

Bu talimat kılavuzunda belirtilen vibrasyon emisyon seviyesi EN 60745'te verilen bir standart teste uygun olarak ölçülmüştür; bir aleti diğeriyle karşılaştırmak ve aleti bahsedilen uygulamalar için kullanırken vibrasyona maruz kalmanın ön değerlendirmesi olarak kullanılabilir - aleti farklı uygulamalar veya farklı ya da kötü bakılan aksesuarlarla kullanmak, maruz kalma seviyesini büyük ölçüde artırabilir - aletin kapalı olduğu veya çalışıp gerçekten işi yapmadığı zamanlar maruz kalma seviyesini büyük ölçüde düşürebilir Aletin ve aksesuarların bakımını yaparak, ellerinizi sıcak tutarak ve çalışma düzenlerinizi organize ederek vibrasyonun etkilerine karşı kendinizi koruyun.

### Özellikler

#### Şek. 1

1. Açma / kapama anahtarı
2. Hız kontrolü
3. U-şekilli kol
4. Ped tutucu
5. Milli kilit
6. Anahtar kilidi

## GÜVENLİK TALİMATLARI

### Sembollerin açıklaması



*Bu kılavuzdaki talimatlara uymama durumunda bedensel yaralanma, can kaybı veya alete hasar riskini belirtir.*



*Elektrik çarpması riski  
Şebeke kablosu temizlik ve bakım sırasında hasar görürse şebeke fişini hemen şebekeden çıkarın*



*Motor çalışırken mil kilidi düşmesine basmayın.*



*Uçan nesne riski. Seyircileri iş alanından uzak tutun.*



*Kulak ve göz koruyucusu takın.*



*Güvenlik eldivenleri giyin*



*Değişken hız kontrolü*

### **Taşılama veya Aşındırıcı Kesme İşlemleri için Güvenlik Uyarıları:**

- a) Bu elektrikli alet, zımpara kâğıdı, tel fırça, cilalayıcı olarak işlev görmek üzere tasarlanmıştır. Bu elektrikli aletle birlikte verilen tüm güvenlik uyarılarını, talimatları, resimleri ve teknik özellikleri okuyun. Aşağıda listelenen tüm talimatlara uyulmaması elektrik çarpmasına, yangına ve/veya ciddi yaralanmalara neden olabilir.
- b) Öğütme ya da kesme gibi işlemlerin bu elektrikli aletle gerçekleştirilmesi önerilmemektedir. Bu elektrikli aletin amacı dışında kullanılması hasara ve kişisel yaralanmalara neden olabilir.
- c) Alet üreticisi tarafından özellikle tasarlanmamış ve önerilmemiş aksesuarları kullanmayın. Aksesuar elektrikli aletinize takılabiliyor diye güvenli işlemi garanti etmez.
- d) Aksesuarın anma hızı elektrikli alet üzerinde işaretli maksimum hıza en azından eşit olmalıdır. Anma hızlarından hızlı çalışan aksesuarlar kırılıp parçalanabilir.
- e) Aksesuarınızın dış çapı ve kalınlığı elektrikli aletinizin kapasite oranı içinde olmalıdır. Yanlış boyuttaki aksesuarlar yeterince korunamaz ve kontrol edilemez.
- f) Çarkların, flanşların, destek pedlerinin ve diğer aksesuarların dingil boyutu, elektrikli aletin miline tam olarak uygun olmalıdır. Elektrikli aletin montaj donanımına uygun olmayan dingil buyutlarına sahip aksesuarlar dengesizleşir, aşırı titrer ve kontrolün kaybedilmesine neden olabilir.
- g) Hasar görmüş bir aksesuarı kullanmayın. Her kullanımdan önce taşıma çarklarını aşınma ve çatlaklar, destek yastığını çatlaklar, yırtılma veya aşırı yıpranma, tel fırçasını gevşek veya çatlamış teller açısından gibi aksesuarı kontrol edin. Elektrikli alet veya aksesuar düşürülürse, hasar açısından kontrol edin veya hasar görmemiş bir aksesuar takın. Bir aksesuarı kontrol ettikten ve taktıktan sonra, kendinizi ve izleyicileri dönen aksesuarın yüzeyinden uzaklaştırın ve elektrikli aleti bir dakikalığına maksimum yüksüz hızda çalıştırın. Hasar görmüş aksesuarlar normal olarak bu test süresi içinde parçalanacaktır.
- h) Kişisel koruyucu donanım takın. Uygulamaya bağlı olarak yüz siperi, koruyucu gözlük veya emniyet gözlüğü kullanın. Uygun görüldüğü şekilde, küçük aşındırıcı ve iş parçalarını durdurabilecek toz maskesi, duyma koruyucuları, eldivenler ve atölye önlüğü giyin. Göz koruması çeşitli işlemler tarafından üretilen uçşan molozu durdurabilecek nitelikte olmalıdır. Toz maskesi veya respiratör, yaptığınız işlem tarafından üretilen parçacıkları filtre edebilmelidir. Yüksek yoğunluktaki gürültüye uzun süre maruz kalma, işitme kaybına neden olabilir.
- i) İzleyicileri iş alanından güvenli bir mesafede tutun. Çalışma alanına giren herkes kişisel koruyucu donanım giymelidir. İş parçası veya kırılmış bir aksesuarın parçaları fırlayabilir ve acil işlem alanının ötesinde yaralanmaya neden olabilir.
- j) Elektrikli aleti yalnızca izole edilmiş tutma yüzeylerinden tutun, bir işlem gerçekleştirirken kesme aksesuarı gizli tellerle veya kendi kordonuyla temas edebilir. Kesme aksesuarının "elektrikli" bir telle temas etmesi, elektrikli aletin açık metal kısımlarına "elektrik" verebilir ve operatörü elektrik çarparabilir.
- k) Kordonu dönen aksesuardan uzağa konumlandırın. Kontrolü kaybederseniz, kordon kesilebilir veya takılabılır ve eliniz veya kolunuz dönen aksesuara kapılabilir.
- l) Aksesuar tamamen durana kadar elektrikli aleti asla bir yere koymayın. Dönen aksesuar yüzeyi tutabilir ve elektrikli aleti kontrolünüzden çıkarabilir.
- m) Yan tarafınızda taşırken elektrikli aleti çalıştırmayın. Dönen aksesuarla kazara temas kıyafetinize takılabılır ve aksesuarı bedeninize çekebilir.
- n) Elektrikli aletin havalandırma deliklerini düzenli olarak temizleyin. Motorun fanı tozu yuvarın içine çekecektir ve toz haline gelmiş metalin aşırı birikimi elektrik tehlikelerine neden olabilir.
- o) Elektrikli aleti alev alan maddelerin yakınında çalıştırmayın. Kıvılcımlar bu maddeleri tutuşturabilir

### Geri Tepme ve İlgili Uyarılar

Geri tepme, sıkıştırılmış veya takılmış dönen çark, destek tamponu, fırça veya başka diğer aksesuara ani bir tepkidir. Sıkıştırma veya takılma dönen aksesuarın hızlı teklemesine neden olur, bu da kontrol edilmeyen elektrikli aletin bağlama noktasında aksesuarın dönüşün karşı yönünde zorlanmasına neden olur. Örneğin, bir taşlama çarkı iş parçası tarafından takılır veya sıkıştırılırsa, sıkıştırma noktasına giren çarkın kenarı çarkın yükselmesine veya atmasına neden olarak materyalin yüzeyini delebilir. Çark sıkıştırma noktasında çarkın hareketinin yönüne bağlı olarak operatöre doğru veya operatörden uzağa sıçrayabilir. Taşlama çarkları ayrıca bu koşullar altında da bozulabilir. Geri tepme elektrikli aletin hatalı kullanımı ve/veya yanlış işlem prosedürleri veya koşullarının sonucunda oluşur ve aşağıdaki gibi uygun önlemler alınarak engellenebilir.

- Elektrikli aleti sıkı tutun ve bedeninizi ve kolunuzu geri tepme kuvvetlerine dayanmaya izin verecek şekilde konumlandırın. Eğer sağlandıysa çalıştırma sırasında geri tepme veya tork tepkisine karşı maksimum kontrol için her zaman yardımcı tutamağı kullanın. Doğru önlemler alınırsa, operatör tork tepkilerini veya geri tepme kuvvetlerini kontrol edebilir.
- Elinizi asla dönen aksesuarın yakınına yerleştirmeyin. Aksesuar elinizin üzerinden geri tepebilir.
- Geri tepme meydana gelirse elektrikli aletin hareket edeceği alana bedeninizi konumlandırmayın. Geri tepme, aleti çarkın takılma noktasındaki hareketinin aksi yönünde itecektir.
- Köşelerde, keskin kenarlarda vs. çalışırken özel dikkat gösterin. Aksesuarı sallamaktan ve taktırmaktan kaçının. Köşeler, keskin kenarlar veya sallamak, dönen aksesuarın takılması eğilimine sahiptir ve kontrol kaybına veya geri tepmeye neden olur.
- Zincir testere oyma bıçağı veya dişli testere bıçağı takmayın. Bu tür bıçaklar sıklıkla geri tepme ve kontrol kaybı yaratır.

### Özel güvenlik talimatları

- Diske belirtilen maksimum hızın makinenin maksimum hızına karşılık geldiğini kontrol edin. Makinenin hızı disk üzerindeki değeri aşmamalıdır.

- Disk boyutlarının makine özelliklerine karşılık geldiğinden emin olun.
- Diskin doğru şekilde monte edildiğinden ve bağlandığından emin olun. Diski düzgün şekilde oturtmak için redüksiyon halkaları veya adaptörler kullanmayın.
- Bu makineyi asla tek elle kullanmayın. Makineyi çalıştırmak için daima iki elinizi kullanın.
- Döner parçalara dokunmayın.
- Makine çalıştırılmadan önce yün başlığı işlenecek parçaya temas etmediğinden emin olun.
- İşlemden hemen sonra işlenen parçaya dokunmayın. Sıcak olabilir.
- Uyarı: Makine kapatıldıktan sonra çark dönmeye devam eder.
- Gizli elektrik kabloları veya kendi kablosu ile temas edilebilecek bir işlem sırasında makineyi yalıtımlı saplar ile tutun.
- Kullanmadan önce, disk hasara karşı inceleyin. Çatlamış, yırtılmış veya hasar görmüş diskleri kullanmayın.
- Kullanmadan önce, makineyi 30 saniye boyunca boştaki çalıştırın. Anormal titreşim veya başka bir kusur meydana gelmesi durumunda makineyi hemen kapatın. Makineyi tekrar açmadan önce makineyi ve diski dikkatlice inceleyin.
- Daima güvenlik gözlüğü ve kulak tamponu takın.
- Monte edilmiş çarklar ve noktaların üretici talimatlarına uygun olarak oturtulduğundan emin olun.
- Dişli delikli çark ile donatılmış aletler için, çarktaki dişin mil uzunluğuna uyacak uzunlukta olduğundan emin olun.
- Tozlu koşullarda çalışırken havalandırma deliklerinin temiz tutulduğundan emin olun. Tozu temizlemek gerekirse, ilk olarak aleti şebeke bağlantısından çekin (metal olmayan nesnelere kullanın) ve iç aksamlara hasar vermektan kaçının.
- Elektrik şebekesinin yetersiz koşullarına rağmen, ekipmanı başlatırken kısa gerilim düşüşleri görülebilir. Bu diğer ekipmanları da etkileyebilir (ör. bir lambanın yanıp sönmesi). Şebeke empedansı  $Z_{max} < 0.348 \text{ Ohm}$  ise, bu tür bozulmalar beklenmez. (İhtiyaç durumunda, daha fazla bilgi için yerel tedarik yetkiliniz ile iletişime geçebilirsiniz. Şu durumlarda makineyi derhal kapatın:

- Karbon fırçalarında yüksek miktarda kıvılcımlanma ve kolektörde vertisizyoz meydana geldiğinde.
- Şebeke fişi, şebeke kablosunun kesilmesi veya şebeke kablosunun hasarında.
- Bozuk anahtar durumunda
- Yanık izolasyon dumanı veya kokusu

### Elektrik güvenliği

Elektrikli makineleri kullanırken yangın, elektrik çarpması ve bedensel yaralanma riskini azaltmak için ülkenizde geçerli güvenlik düzenlemelerine her zaman uyun. Aşağıdaki güvenlik talimatlarını ve ayrıca ekteki güvenlik talimatlarını okuyun.



*Daima güç kaynağının anma değerleri plakasındaki gerilime karşılık gelip gelmediğini kontrol edin.*



*Makinemiz çift yalıtımlı olduğu için, topraklama kablosu gerekmez.*

### Kablo veya fişlerin değiştirilmesi

Yenileriyle değiştirildiği zaman, eski kabloları veya fişleri hemen atın. Gevşek bir kablunun fişinin duvar elektrik prizine takılması tehlikelidir.

### Uzatma kablolarının kullanımı

Yalnızca makinenin güç girişi değeri için uygun, onaylanmış bir uzatma kablosu kullanın. Minimum iletken ebadı 1,5 mm<sup>2</sup>'dir. Bir kablo makarası kullanırken, her zaman makaranın sargısını tamamen açın.

## 3. MONTAJ



*Her zaman bir aksesuar montajı önce aracı fişini çekin*

### Kolun monte edilmesi

#### Şek. 2

Kol, hem sol hem sağ el ile kullanım için uygundur.

- Kolu delikler makinedeki vida deliklerine uyacak şekilde yerleştirin.
- Kolu cıvatalar ve altıgen anahtar ile sıkın.

### Aksesuarların monte edilmesi

#### Şek. 3

- Milli kilide (5) basın
- Mil üzerindeki ped tutucuyu vidalayın ve sıkın.
- Milli kilide (5) basın
- Parlatma pedini (4) ped tutucunun (5) üzerine monte edin.

### Aksesuarlar

#### Şek. 4

#### Parlatma pedi (3)

Yüksek parlaklıklı parlatma ve mumlama için kullanılır.

#### Yün parlatma pedi (4)

Yüksek parlaklıklı yüzey bitirme için kullanılır.

## 4. KULLANIM



*Daima güvenlik talimatlarına uyun ve geçerli düzenlemelere bağlı kalın.*

- Açarken ve kapatırken makineyi işlenen parçadan uzak tutun.
- Fişi prizden çıkarmadan önce her zaman kullanımdan sonra önce makineyi kapatın.

### Hız kontrolü

#### Şek. 5

Disk hızı, kolun tepesindeki döner düğme ile kontrol edilebilir. Konum yükseldikçe hız artar. Parlatma pedinde bal mumu kullanıldığında, yüksek hızda başlamayın.

### Açma

#### Şek. 6

- Bu makine bir emniyet şalteri ile donatılmıştır.
- "Lock off" (kilidi kaldır) (B) düğmesine basarak (şalteri devre dışı bırakmak için) makineyi başlatın ve makineyi (A) çalıştırın.

### Kapama

Şalteri (A) serbest bırakın.



*Cilalayıcı, kapatıldıktan sonra çalışmaya devam edecektir.*

Makineyi yalnızca motor dönmeyi tamamen sonlandırdığında bırakın. Makineyi tozlu bir yüzeye koymayın. Toz parçacıkları makineye nüfuz edebilir.



*Şebeke kablosu temizlik ve bakım sırasında hasar görürse şebeke fişini hemen şebekeden çıkarın.*



*Arızalı ve/veya atılmış elektrikli veya elektronik ekipmanların uygun geri dönüşüm konumlarında toplanması gerekir.*

## 5. SERVIS VE BAKIM



*Temizlik ve bakımdan önce her zaman makineyi kapatın ve şebeke prizini şebekeden çıkarın*

Bu makine uzun süre, minimum bakımla çalışacak şekilde tasarlanmıştır. Makinenin sürekli ve tatmin edici şekilde çalışması, makineye uygun şekilde bakım uygulanmasına ve makinenin düzenli temizlenmesine bağlıdır.



*Onarım ve bakım yalnızca olmalı yetkili bir teknisyen tarafından yürütülen veya Servis firması .*

### Temizleme

Motorun aşırı ısınmasını önlemek için makinenin havalandırma deliklerini temiz tutun. Makine muhafazasını düzenli olarak (tercihen her kullanımdan sonra) yumuşak bir bez ile temizleyin. Havalandırma deliklerinde toz ve kir olmamasına dikkat edin. Kir çıkmazsa, sabunlu suyla nemlendirilmiş yumuşak bir bez kullanın. Asla petrol, alkol, amonyaklı su vs. kullanmayın. Bu çözücüler plastik parçalara zarar verebilir.

### Arızalar

Bir arıza meydana gelirse, örneğin bir parçanın yıpranmasından sonra, lütfen garanti kartı üzerindeki servis adresiyle iletişime geçin. Bu kılavuzun arkasında, sipariş edilebilecek parçaları gösteren bir parça şemasını bulacaksınız.

## ÇEVRE

Taşıma sırasında meydana gelebilecek hasarları önlemek için, cihaz çoğunlukla yeniden kullanılabilir malzemelerden oluşan sağlam bir ambalajın içinde sunulur. Dolayısıyla, lütfen ambalajın geri dönüşüm seçeneklerini değerlendirin.

### Yalnızca AT ülkeleri için

Elektrikli aletleri evsel atık olarak atmayın. Atık Elektrikli ve Elektronik Donanım için Avrupa İlkeleri 2012/19/EC 'ye ve ulusal hak uygulamasına göre, artık kullanılamaz olan elektrikli aletler ayrı olarak toplanmalı ve çevre dostu bir yolla imha edilmelidir.

## GARANTİ

Garanti koşulları ayrı olarak eklenmiş garanti kartı üzerinde bulunabilir.

**Ürün ve kullanıcı kılavuzu değişikliğe tabidir. Spesifikasyonlar başka bir uyarı olmaksızın değiştirilebilir.**



## АГОЛНА ПОЛИРКА 1400W - 180 mm

### Благодариме за купувањето на овој FERM производ.

Со тоа имате одличен производ, испорачан од еден од водечките добавувачи во Европа. Сите производи доставени од страна на FERM се произведени според највисоките стандарди на перформанси и безбедност. Како дел од нашата филозофија е обезбедување на одличен сервис за клиентите, со поддршка со нашите сеопфатни гаранции. Се надеваме дека ќе уживате користејќи го овој производ многу наредни години.

### Броевите во текстот се однесуваат на дијаграмите на стр. 2-3.



*Внимателно прочитајте го упатството, пред користење на машината. Бидете сигурни дека знаете како работи и како се ракува со машината. Одржувајте ја машината според упатствата и бидете сигурни дека правилно функционира. Чувајте го упатството и другата документација заедно со машината.*

### Содржина

1. Податоци за машината
2. Безбедносни упатства
3. Монтажа
4. Употреба
5. Сервис и одржување

### Вовед

Било каква друга употреба, освен за полирање и лесно брусење е строго забранета.

## 1. ПОДАТОЦИ ЗА МАШИНАТА

### Технички податоци

Напон	230-240V~
Фреквенција	50Hz
Номинална моќност	1400W
Брзина без оптеретување	1000-3300/min
Пречник на диск	180 mm
Димензија на вретеното	M 14
Тежина	3.3 kg
L <sub>pa</sub> (звучен притисок)	86+3 dB(A)
L <sub>wa</sub> (звучна моќност)	97+3 dB(A)
Вредност на вибрации	3.51+1.5 m/s <sup>2</sup>

### Ниво на вибрации

Нивото на емисијата на вибрациите, наведено во упатството, е измерено во согласност со стандардизиран тест даден во EN 60745; тој може да се користи за споредување на еден алат со друг како и за прелиминарна процена на изложеност на вибрации при користење на алатот во споменатите апликации

- користењето на алатот за различни апликации или со различни или слабо одржан прибор, може значително да го зголеми нивото на изложеност
- времето кога алатот е исклучен или кога работи, но не ја врши работата, може значително да го намали нивото на изложеност

Заштитете се од ефектите на вибрациите со одржување на алатот и приборот, рацете да ви бидат топли и организирајте ги работните навики.

### Карактеристики

#### Сл. 1

1. On/off прекинувач
2. Контрола на брзина
3. У-дршка
4. Држач на подлога
5. Забравник за вретено
6. Прекинувач

## 2. БЕЗБЕДНОСНИ УПАТСТВА

### Објаснување на симболите



*Означува ризик од повреди, губење на живот или оштетување на машината во случај на непочитување на упатствата од овој прирачник*



*Укажува на опасност од струен удар. Веднаш извлечете го кабелот од струја во случај да се оштетил или за време на одржување*



*Користете забравник за вретено само во режим на мирување*



*Присутните да стојат подалеку.*



*Носете заштита за уши и очи*



*Носете заштитни очила*



*Променлива брзина*

### **Безбедносни предупредувања за операции со брусење или абразивно отсекување:**

- a) Овој алат е наменет за брусење, четкање со жичана четка, полирање. Прочитајте ги сите безбедносни предупредувања, упатства, илустрации и технички податоци доставени со овој електричен алат. Погрешното следење упатствата подолу, може да доведе со струен удар, пожар и/или сериозни повреди.
- b) Операции како брусење или отсекување не се препорачуваат со овој алат. Операции за кои не е конструиран овој алат можат да бидат опасни и да предизвикаат повреди. c) Не користете прибор кој не е произведен и препорачан од производителот на алатот. Дури и кога приборот може да се прицврсти на алатот тој не обезбедува безбедно работење.
- c) Не користете прибор кој не е произведен и препорачан од производителот на алатот. Дури и кога приборот може да се прицврсти на алатот тој не обезбедува безбедно работење.
- d) Номиналната брзина на приборот мора да одговара на max. брзина означена на алатот. Прибор кој работи побрзо од номиналниот број на вртежи, може да се скрши и да се распрка во околината.
- e) Надворешниот пречник и дебелината на приборот мора да бидат во рамките на капацитетот на алатот. Прибор со несоодветна големина не може соодветно да се заштити или да се контролира.
- f) Големината на насадниот отвор на дискот, прирабницата, подложното перниче или друг прибор мора точно да одговара на големината на вретеното на електричниот алат. Прибор со насаден отвор кој не одговара на монтажните делови на електричниот алат ќе биде неурамнотежен, ќе вибрира и може да предизвика губење на контрола.
- g) Не користете оштетен прибор. Пред секое користење проверете го приборот, нпр. брусниот диск, подложното перниче да немаат пукнатини или да не се изабени, жичаната четка да не е искубана или да нема искршени влакна. Ако електричниот алат или приборот паднал, да се проверат можните оштетувања или да се постави исправен прибор. После проверката и поставувањето на приборот ракувачот и другите присутни да не стојат во рамнината на ротирањето на приборот и електричниот алат да се пушти да работи без оптеретување околу 1 min. Оштетен прибор ќе се распадне за ова време.
- h) Носете опрема за лична заштитна. Според видот на работата, користете заштита за лицето, ракавици или заштитни очила. Носете маска за прашина, заштита за слухот, ракавици и облека која штити од мали отпадоци од брусење или од струшка. Заштитата за очите мора да биде во состојба да ги сопре разлетаните делови настанати при работа. Маската за прашина мора да биде во состојба да штити од прашина настаната при работа. Кога сте изложени на долготрајна бучава носете заштита за слухот.
- i) Присутните да бидат оддалечени од работниот простор. Секој кој влегува во работниот простор мора да носи заштитна опрема. Отпадоците од работното парче или од скршениот прибор може да се разлетаат и да предизвикаат повреди.
- j) Електричниот алат да го држите за изолираните дршки, ако се изведуваат работи кај кои резниот алат може да дојде во контакт со скриени жици или со сопствениот кабел. Со пресекување на „жива“ жица и металните делови од електричниот алат стануваат „живи“ и ќе предизвикаат струен удар кај ракувачот.
- k) Кабелот да е подалеку од вртливиот прибор. Ако ја изгубите контролата врз алатот,

можете да го пресечете или да го зафатите кабелот и рацете да ви бидат зафатени од вртливиот прибор.

- l) Алатот да не го одложувате додека приборот не престане да се врти. Вртливиот прибор може да дојде во контакт со површината на која се одложува и ќе се изгуби контрола врз алатот.
  - m) Алатот не смее да работи кога се пренесува. Со случаен допир со приборот ќе ви се зафати облеката и ќе се повредите.
  - n) Редовно чистете ги отворите за вентилација. Вентилаторот вовлекува прашина и при големи наслаги на метална прашина може да дојде до куса врска.
  - o) Не работете со алатот во близина на запаливи материјали. Искрите можат да ги запалат овие материјали.
  - p) Не користете прибор за кој треба разладно средство. Користење на вода или разладно средство ќе предизвика струен удар.
- b) Не ги поставувајте рацете во близина на ротирачкиот прибор. Приборот може да отскокне во вашите раце.
  - c) Не стоите во областа во која алатот би отскокнал при повратен удар. Повратниот удар го турка алатот во насока обратна од движењето на дискот во точката на заклинувањето.
  - d) Бидете внимателни кога обработувате рабови, остри рабови итн. Избегнувајте скокање и заклинување на приборот. Кошињата и острите рабови имаат тенденција да го заклнат вртливиот прибор и да предизвикаат повратен удар.
  - e) Не поставувајте верижни листови за резбарење на дрво или назабени листови за пила. Тие создаваат чести повратни удари и губење на контрола.

### Повратен удар и предупредувања

Повратен удар е моментна реакција на заклнетата ротирачка брусна плоча, подложно перниче, четката или друг прибор. Заклинувањето предизвикува брзо сопирање на ротирачкиот прибор и на тој начин електричниот алат се задвижува во спротивна насока од ротирањето, во точката на допирот. На пример, ако брусниот диск се заклени во работно парче, работ од дискот кој навлегол во точката на заклинувањето може да ја копа површината од материјалот што предизвикува дискот да се качи или да отскокне. Тој може да отскокне кон или од ракувачот, во зависност од насоката на движењето во точката на заклинувањето. Дискот може да се скрши во оваа состојба.

Повратниот удар е резултат на погрешно ракување со електричниот алат и/или при неправилна работна постапка или состојба, а може да се избегне со придржување кон подолу опишаните мерки.

- a) Цврсто држете ја рачката од алатот и телото и рацете да ви бидат во положба да го одбијат повратниот удар. Секогаш користете ја дополнителната рачка, ако ја има, за максимална контрола при повратен удар или торзиона реакција за

време на стартувањето. Ракувачот може да ја контролира моментната реакција или силата од повратниот удар, ако превземе соодветни мерки.

- b) Не ги поставувајте рацете во близина на ротирачкиот прибор. Приборот може да отскокне во вашите раце.
- c) Не стоите во областа во која алатот би отскокнал при повратен удар. Повратниот удар го турка алатот во насока обратна од движењето на дискот во точката на заклинувањето.
- d) Бидете внимателни кога обработувате рабови, остри рабови итн. Избегнувајте скокање и заклинување на приборот. Кошињата и острите рабови имаат тенденција да го заклнат вртливиот прибор и да предизвикаат повратен удар.
- e) Не поставувајте верижни листови за резбарење на дрво или назабени листови за пила. Тие создаваат чести повратни удари и губење на контрола.

### Посебни безбедносни упатства

- Провери дали max. брзина означена на дискот одговара на max. брзина на машината. Брзината на машината не смее да ја надминува вредноста на дискот.
- Уверете се дека димензиите на дискот одговараат на карактеристиките на машината.
- Уверете се дека дискот е правилно монтиран и прицврстен. Да не се користи редуциран или адаптер за правилно монтирање на диск.
- Машината никогаш да не се користи со една рака. Со машината секогаш да се ракува со две раце.
- Не ги допирајте вртливите делови.
- Уверете се дека волнената капа за полирање не го допира работното парче пред да го вклучите прекинувачот.
- Не го допирајте работното парче веднаш после работа. Тоа може да е жешко.
- Предупредување: Тркалото се врти после исклучување на машината
- Држете ја машината за изолираните дршки кога изведувате операции при кои можете да допрете скриени жици или сопствен кабел.
- Пред користење, проверете да не е оштетен дискот. Не користете пукнати, искинати или било како оштетени дискови.

- Пред користење, машина нека работи на празно 30 s. Веднаш исклучете ја машината во случај на ненормални вибрации или појава на друг дефект. Внимателно проверете ја машината и дискот пред повторно вклучување на машината.
- Секогаш носете заштитни очила и заштита на слухот.
- Осигурајте се дека монтираните тркала налегнуваат во согласност со упатствата на производителот.

За алати за поставување дискови со навојни отвори, навојот да е доволно долг да ја прифата должината на навојот на вретеното.

- Отворите за вентилација да се чисти, кога работите во услови на прашина. Ако треба да се исчисти пращината, најпрво исклучете го алатот од напојувањето (користете неметални предмети) и избегнете кршење на внатрешните делови.
- Поради лоши услови на електрична мрежа, накратко може да падне напонот при стартување на опрема. Ова може да влијае врз друга опрема (нпр. трепкање на сијалица). Ако мрежата импеданса  $Z_{max} < 0.348 \Omega$ , такви нарушувања не се очекуваат (Во случај на потреба, контактирајте ја локалната дистрибуција за понатамошни информации).

Веднаш исклучете ја машината при:

- Прекумерна искра на јаглените четкички и горење на прстенот во колекторот.
- Прекид на главна приклучница, главен кабел или оштетен на главен кабел.
- Расипан прекинувач
- Чад или смрдеа на изгорена изолација

### Електрична безбедност

При користење на електрични машини почитувајте ги безбедносните правила во вашата земја, за да го намалите ризикот од пожар, струен удар и повреди. Прочитајте ги следните безбедносни упатства и приложените безбедносни упатства.



*Секогаш проверувајте дали напонот на напојувањето одговара на наведениот напон на плочката.*



*Вашата машина е двојно изолирана; затоа не е потребно заземјување.*

### Замена на кабли или приклучници

Веднаш да ги фрлите старите кабли или приклучници, кога ќе ги замените со нови. Опасно е да ја вклучите приклучницата ако кабелот е лабав.

### Користете продолжни кабли

Користете само одобрени продолжни кабли погодни за влезната моќност на машината. Најмал попречен пресек е  $1,5 \text{ mm}^2$ . Кога се користи кабел во ролна, секогаш целосно да го одмотате.

## 3. МОНТАЖА



*Пред монтирање на прибор, извлечете го кабелот од струја.*

### Монтирање на дршка

#### Сл. 2

Дршката е погодна и за левораки и за деснораки корисници.

- Поставете ја дршката така, отворите да се совпаднат со навојните отвори на машината.
- Стегнете ја дршката со завртки и шестоаголен клуч.

### Монтажа на прибор

#### Сл. 3

- Притиснете го забравникот за вретено (5)
- Завртете го и стегнете го држачот на подлогата врз вретеното
- Отпуштете го забравникот за вретено (5)
- Монтирајте ја подлогата за полирање врз носачот на подлогата.

### Прибор

#### Сл. 4

### Подлога за полирање(3)

Се користи за полирање со висок сјај и за наносување на восок.

### Волнена подлога за полирање (4)

Се користи за завршен висок сјај.

## 4. УПОТРЕБА



*Секогаш да ги следите упатствата за безбедност и да се придржувате кон важечките прописи.*

- Држете ја машината подалеку од работното парче која ја вклучувате и исклучувате.
- Секогаш да ја исклучувате машината пред да го извадите кабелот од струја.

### Контрола на брзина

#### Сл. 5

Брзината на дискот може да се контролира со вртливото копче на горниот дел од рачката. Повисока положба, поголема брзина. Кога се користи восок на подлогата за полирање, не почнувајте со голема брзина.

### Вклучување и исклучување

#### Сл. 6

- Машината е опремена со безбедносен прекинувач.
- Започнете со притискање на „lock off“ (B) копчето (за да се ослободи прекинувачот) и вклучете ја машината (A).

### Исклучување

Отпуштете го прекинувачот (A).



*Полирката ќе продолжи да работи и по исклучувањето.*

Машината се одложува само откако моторот целосно ќе сопре. Не ја одложувајте машината врз прашлива површина. Во машината може да навлезе прашина.



*Никогаш да не го користите забравникот за вретено за сопирање на моторот.*

### Индикатор за јаглени четкички

Индикатор за четкичките (7) свети зелено и означува дека машината има напојување. Кога четкичките се истрошени, индикаторот (7) ќе свети црвено.

## 5. СЕРВИС И ОДРЖУВАЊЕ



*Уверете се дека машината е исклучена кога го одржувате моторот.*

Оваа машина е конструирана да работи долг период со минимално одржување. Непрекинатото успешно работење зависи од грижата на машината и редовното чистење.

### Дефектажа

Ако машината не функционира правилно, можните причини и соодветните решенија се дадени подолу:

#### 1. Машината не работи.

- Исклучено напојување.
- (Продолжен) кабел е оштетен.

#### 2. Електромоторот тешко ја достигнува максимална брзина.

- Продолжниот кабел е многу тенок и/или долг.
- Напонот во мрежата е помал од 230 V.

#### 3. Прегревање на машината.

- Отворите за воздух се затнати. Чистете само со сува крпа.
- Машината била преоптоварена. Користете ја машината за намени за кои е направена

#### 4. Прекумерно искрење или неправилна работа на електромоторот.

- Нечистотија во моторот или истрошенсот на јаглени четкички.
- Заменете ги четкичките или однесете ја машината на поправка во специјализиран сервис.



*Поправките и сервисирањето треба да ги изведува само квалификувано лице или сервис.*

### Чистење

Чувајте ги чисти отворите за вентилација за да се спречи прегревање на моторот. Редовно чистете го кукиштето со мекана крпа, после секое користење. Чувајте ги отворите за вентилација чисти, без прашина. Ако нечистотијата не се вади, употребете

мекана крпа навлажнета со вода со сапуница. Никогаш не користете растворувачи како што е бензин, алкохол, амонијачна вода итн. Овие растворувачи можат да ги оштетат пластичните делови.

### Откази

Ако се случи отказ, нпр. поради трошење на дел, обратете се на адресата на сервисот од гарантната картичка. На позадината на упатството ќе најдете експозиционен преглед со прикажани делови кои можат да се нарачаат.

## ОКОЛИНА

За да се спречи оштетување за време на транспортот, уредот се испорачува во тврдо пакување кое се состои од материјал за еднократна употреба. Затоа ве молиме да ги користите опциите за рециклирање на амбалажата.



*Дефектни и/или отфрлени електрични или електронски апарати треба да се собираат на соодветни локации за рециклирање.*

### Само за земји од ЕУ

Не ги депонирајте алатите во домашен отпад. Според Европското Упатство 2012/19/EU за отпадна електрична и електронска опрема и неговата имплементација во националното право, електричните алатикои веќе не се употребливи мораат да се собираат одделно и да се отстрануваатна еколошки начин.

## ГАРАНЦИЈА

Гарантните условите се дадени во посебна гарантна картичка. Производот и упатството се предмет на промена. Карактеристикет можат да се променат без натамошно известување.

---

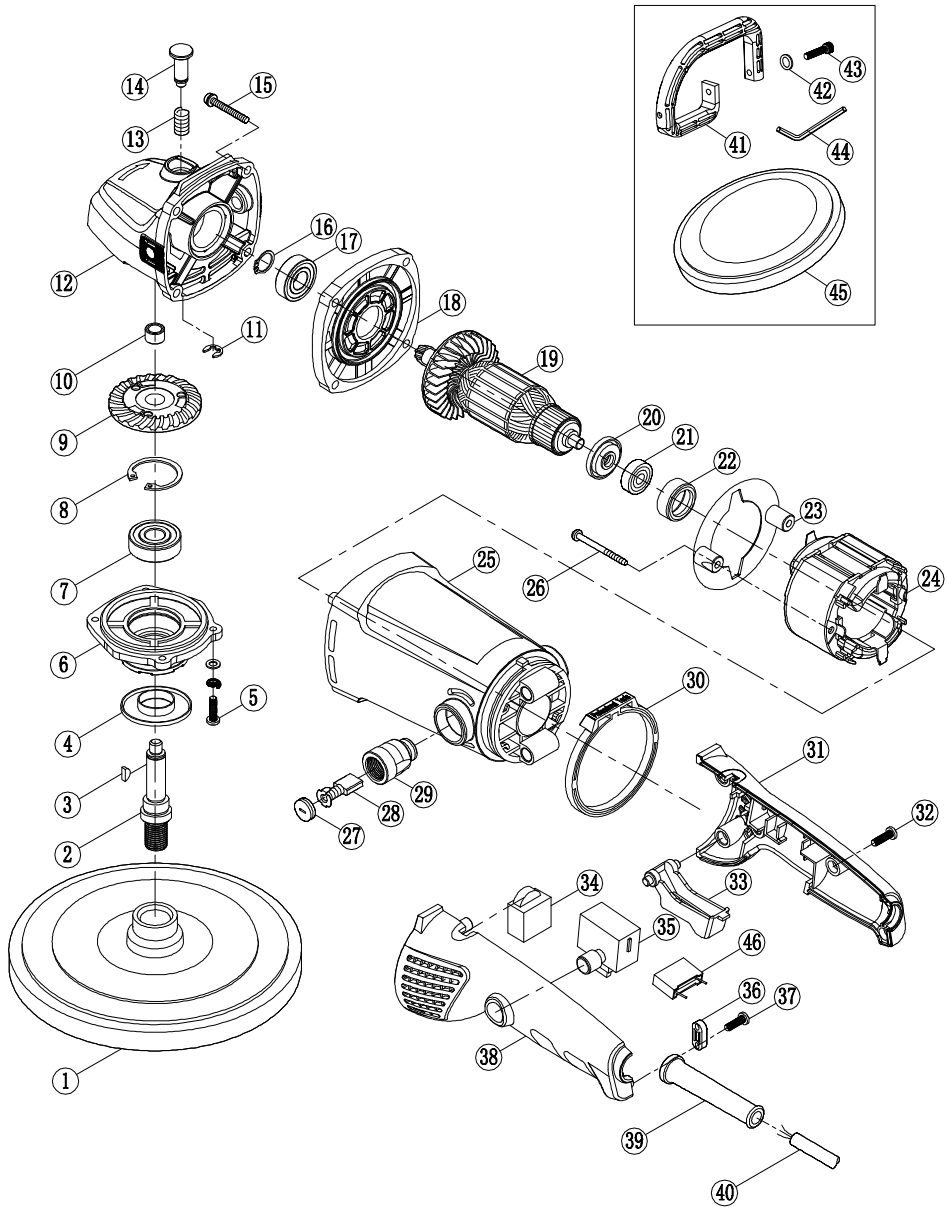
## ***Spare parts list***

### **AGM1084P**

<b>Article no.</b>	<b>Description</b>	<b>Position no.</b>
101216	Pad holder	1
101217	Spindle, wedge	2, 3
101218	Bearing 6201RS	7
101219	Big gear	8,9
101220	Copper bushing	10
101221	Locking pin assembly	11, 13, 14
101222	Bearing 6001 + ring	16, 17
101223	Rotor + heat guard	19, 20
101224	Bearing	21
101225	Bearing cover	22
101226	Stator	24
101227	Carbon brush cap (2pcs)	27
101228	Carbon brush (2pcs)	28
101229	Carbon brush holder (2pcs)	29
101230	Speed regulator	34
101231	Switch	33, 35
101232	Handle	41
101233	Bolt (2pcs) and ring (2pcs)	42, 43
101285	Capacitor	46



**Exploded view**







## DECLARATION OF CONFORMITY AGM1084P - ANGLE POLISHER

- (EN) We declare under our sole responsibility that this product is in conformity with directive 2011/65/EU of the European parliament and of the council of 8 June on the restriction of the use of certain hazardous substances in electrical and electronic equipment is in conformity and accordance with the following standards and regulations:
- (DE) Der Hersteller erklärt eigenverantwortlich, dass dieses Produkt der Direktive 2011/65/EU des Europäischen Parlaments und des Rats vom 8. Juni 2011 über die Einschränkung der Anwendung von bestimmten gefährlichen Stoffen in elektrischen und elektronischen Geräten entspricht. den folgenden Standards und Vorschriften entspricht.
- (NL) Wij verklaren onder onze volledige verantwoordelijkheid dat dit product voldoet aan de conform Richtlijn 2011/65/EU van het Europees Parlement en de Raad van 8 juni 2011 betreffende beperking van het gebruik van bepaalde gevaarlijke stoffen in elektrische en elektronische apparatuur en in overeenstemming is met de volgende standaarden en reguleringen:
- (FR) Nous déclarons sous notre seule responsabilité que ce produit est conforme aux standards et directives suivants: est conforme à la Directive 2011/65/EU du Parlement Européen et du Conseil du 8 juin 2011 concernant la limitation d'usage de certaines substances dangereuses dans l'équipement électrique et électronique.
- (ES) Declaramos bajo nuestra exclusiva responsabilidad que este producto cumple con las siguientes normas y estándares de funcionamiento: se encuentra conforme con la Directiva 2011/65/UE del Parlamento Europeo y del Consejo de 8 de junio de 2011 sobre la restricción del uso de determinadas sustancias peligrosas en los equipos eléctricos y electrónicos.
- (PT) Declaramos por nossa total responsabilidade de que este produto está em conformidade e cumpre as normas e regulamentações que se seguem: está em conformidade com a Directiva 2011/65/UE do Parlamento Europeu e com o Conselho de 8 de Junho de 2011 no que respeita à restrição de utilização de determinadas substâncias perigosas existentes em equipamento eléctrico e electrónico.
- (IT) Dichiaro, sotto la nostra responsabilità, che questo prodotto è conforme alle normative e ai regolamenti seguenti: è conforme alla Direttiva 2011/65/UE del Parlamento Europeo e del Consiglio dell'8 giugno 2011 sulla limitazione dell'uso di determinate sostanze pericolose nelle apparecchiature elettriche ed elettroniche.
- (SV) Vi garanterar på eget ansvar att denna produkt uppfyller och följer följande standarder och bestämmelser: uppfyller direktiv 2011/65/UE från Europeiska parlamentet och EG-rådet från den 8 juni 2011 om begränsningen av användning av farliga substanser i elektrisk och elektronisk utrustning.
- (FI) Vakuutamme yksinomaan omalla vastuullamme, että tämä tuote täyttää seuraavat standardit ja säädökset: täyttää Euroopan parlamentin ja neuvoston 8. kesäkuuta 2011 päivätyn direktiivin 2011/65/EU vaatimukset koskien vaarallisten aineiden käytön rajoitusta sähkö- ja elektronisissa laitteissa.
- (NO) Vi erklærer under vårt eget ansvar at dette produktet er i samsvar med følgende standarder og regler: er i samsvar med EU-direktivt 2011/65/UE fra Europa-parlamentet og Europa-rådet, pr. 8 juni 2011, om begrensning i bruken av visse farlige stoffer i elektrisk og elektronisk utstyr.
- (DA) Vi erklærer under eget ansvar, at dette produkt er i overensstemmelse med følgende standarder og bestemmelser: er i overensstemmelse med direktiv 2011/65/UE fra Europa-Parlamentet og Rådet af 8. juni 2011 om begrænsning af anvendelsen af visse farlige stoffer i elektrisk og elektronisk udstyr.
- (HU) Felelőszégnünk teljes tudatában kijelentjük, hogy ez a termék teljes mértékben megfelel az alábbi szabványoknak és előírásoknak: je v souladu se směrnici 2011/65/EU Evropského parlamentu a Rady EU ze dne 8. června 2011, která se týká omezení použití určitých nebezpečných látek v elektrických a elektronických zařízeních.
- (CS) Na naši vlastní zodpovědnost prohlašujeme, že je tento výrobek v souladu s následujícími standardy a normami: Je v souladu s normou 2011/65/UE Evropského parlamentu a Rady z 8. júna 2011 týkajúcej sa obmedzenia používania určitých nebezpečných látok v elektrickom a elektronickom vybavení.
- (SK) Vyhlasujeme na našu výhradnú zodpovednosť, že tento výrobok je v zhode a súlade s nasledujúcimi normami a predpismi: Je v súlade s normou 2011/65/UE Európskeho parlamentu a Rady z 8. júna 2011 týkajúcej sa obmedzenia používania určitých nebezpečných látok v elektrickom a elektronickom vybavení.
- (SL) S polno odgovornostjo izjavljamo, da je ta izdelek v skladu in da odgovarja naslednjim standardom ter predpisom: je v skladu z direktivo 2011/65/UE Evropskega parlamenta in Sveta z dne 8. junija 2011 o omejevanju uporabe določenih nevarnih snovi v električni in elektronski opremi.
- (PL) Deklarujemy na własną odpowiedzialność, że ten produkt spełnia wymogi zawarte w następujących normach i przepisach: jest zgodny z Dyrektywą 2011/65/UE Parlamentu Europejskiego i Rady z dnia 8 czerwca 2011 r. w sprawie ograniczenia stosowania niektórych niebezpiecznych substancji w sprzęcie elektrycznym i elektronicznym.
- (LT) Prisiimdami visą atsakomybę deklaruojame, kad šis gaminyš atitinka žemiau paminėtų standartus arba nuostatus: atitinka 2011 m. birželio 8 d. Europos Parlamento ir Tarybos direktyvą 2011/65/EB dėl tam tikrų pavojingų medžiagų naudojimo elektros ir elektroninėje įrangoje apribojimo.
- (LV) Ir atbilstoša Eiropas Parlamenta un Padomes 2011. gada 8. jūnija Direktīvai 2011/65/ES par dažu bīstamu vielu izmantošanas ierobežošanu elektriskās un elektroniskās iekārtās.
- (ET) Aggalvojam ar visna atbildulu, ka šis produktis ir saskaņā un atbilst sekojošiem standartiem un nolikumiem: ir atbilstoša Eiropas Parlamenta un Padomes 2011. gada 8. jūnija Direktīvai 2011/65/ES par dažu bīstamu vielu izmantošanas ierobežošanu elektriskās un elektroniskās iekārtās.
- (RO) Declaram prin aceasta ca raspunderea deplina ca produsul acesta este in conformitate cu urmatoarele standarde sau directive: este In conformitate cu Directiva 2011/65/UE a Parlamentului European si a Consiliului din 8 iunie 2011 cu privire la interzicerea utilizării anumitor substanțe periculoase la echipamentele electrice si electronice.
- (HR) Izjavljujemo pod vlastitom odgovornošću da je strojem ukladan sa slijedešim standardima ili standardiziranim dokumentima i u skladu sa odredbama: usklađeno s Direktivom 2011/65/UE europskog parlamenta i vijeća izdanom 8. lipnja 2011. o ograničenju korištenja određenih opasnih tvari u električnoj i elektroničkoj opremi.
- (SRL) Pod punom odgovornošću izjavljujemo da je usaglašen sa sledećim standardima ili normama: usaglašen sa direktivom 2011/65/UE Evropskog parlamenta i Saveta od 8.juna.2011. godine za restrikciju upotrebe određenih opasnih materija u električnoj i elektronskoj opremi.
- (RU) Под свою ответственность заявляем, что данное изделие соответствует следующим стандартам и нормам: соответствует требованиям Директивы 2011/65/ЕU Европейского парламента и совета от 8 июня 2011 г. по ограничению использования определенных опасных веществ в электрическом и электронном оборудовании
- (UK) На свою власну відповідальність заявляємо, що дане обладнання відповідає наступним стандартам і нормативам: задовольняє вимоги Директиви 2011/65/ЄС Європейського Парламенту та Ради від 8 червня 2011 року на обмеження використання деяких небезпечних речовин в електричному та електронному обладнанні.
- (EL) Δηλώνουμε υπεύθυνα ότι το προϊόν αυτό συμμορφώνεται και τηρεί τους παρακάτω κανονισμούς και πρότυπα: συμμορφώνεται με την Οδηγία 2011/65/ΕΕ του Ευρωπαϊκού Κοινοβουλίου και του Συμβουλίου της 8ης Ιουνίου 2011 για τον περιορισμό της χρήσης ορισμένων επικίνδυνων ουσιών σε ηλεκτρικό και ηλεκτρονικό εξοπλισμό.
- (AR) نعلن تحت مسؤوليتنا بأكملها ان هذا المنتج يتوافق ويتوافق مع متطلبات توجيه 2011/65/UE الأوروبي للبرلمان والمجلس من 8 يونيو 2011 بشأن تقييد استخدام بعض المواد الخطرة في المعدات الكهربائية والإلكترونية.
- (TR) Tek sorumluluğu biz olarak bu ürünü aşağıdaki standart ve yönetmelere uygun olduğunu beyan ederiz.
- (MK) Izjavuваме so naša celosna odgovornost дека производот е во согласnost со Смерницата 2011/65/UE на Европскиот парламент и е во согласnost според Советот од 9 јуни за ограничување на користење на одредени опасни супстанции во електричната и електронската опрема и дека е според следните стандарди и регулативи:

**EN 55014-1, EN 55014-2, EN 60745-2-3 EN 60745-1,  
EN 61000-3-2, EN 61000-3-3**

**2006/42/EC, 2014/30/EU, 2012/19/EU, 2011/65/EU**

Zwolle, 01-03-2018

H.G.F Rosberg  
CEO FERM B.V.

**FERM B.V. - Lingenstraat 6 - 8028 PM - Zwolle - The Netherlands**

