

5.1 Home Theater Speakers

SOUNDWARE XS SPECIAL EDITION HOME THEATER SPEAKERS

SOUNDWARE S HOME THEATER SPEAKERS

Español

5.1 Sistema de parlantes
de sonido envolvente
Manual del Propietario /
Instrucciones de Seguridad /
Información de Cumplimiento

Italiano

5.1 Sistema di
altoparlanti surround
Manuale dell'utente /
Istruzioni di sicurezza /
Informazioni sulla conformità

Deutsch

5.1-Surround-
Lautsprechersystem
Bedienungsanleitung /
Sicherheitshinweise /
Konformitätserklärung

Français

Système de haut-parleur
Surround 5.1
Guide de l'utilisateur /
Instructions de sécurité /
Informations relatives à la
conformité

Svenska

5.1 Surroundhögtalarsystem
Bruksanvisning /
säkerhetsanvisningar /
information om
överensstämmelse

IMPORTANT SAFETY INSTRUCTIONS



This symbol found on the apparatus indicates hazards arising from dangerous voltages.



This symbol found on the apparatus indicates the user should read all safety statements found in the user manual.



This symbol found on the apparatus indicates double insulation.



WARNING! To reduce the risk of fire or electrical shock, do not expose this apparatus to rain or moisture.



This symbol found on the apparatus indicates that the apparatus must be placed in a separate collection facility for electronic waste and not disposed with household waste.

1. Read these instructions.
2. Keep these instructions.
3. Heed all warnings.
4. Follow all instructions.
5. Do not use this apparatus near water.
6. Clean only with dry cloth.
7. Do not block any ventilation openings. Install in accordance with the manufacturer's instructions.
8. Do not install near any heat sources such as radiators, heat registers, stoves, or other apparatus (including amplifiers) that produce heat.
9. Do not defeat the safety purpose of the polarized or grounding type plug. A polarized plug has two blades with one wider than the other. A grounding-type plug has two blades and a third grounding prong. The wide blade or the third prong is provided for your safety. If the provided plug does not fit into your outlet, consult an electrician for replacement of the obsolete outlet.
10. Protect the power cord from being walked on or pinched particularly at plugs, convenience receptacles, and the point where they exit from the apparatus.
11. Only use attachments/accessories specified by the manufacturer.
12. Unplug this apparatus during lightning storms or when unused for long periods of time.
13. Refer all servicing to qualified service personnel. Servicing is required when the apparatus has been damaged in any way, such as power-supply cord or plug is damaged, liquid has been spilled or objects have fallen into the apparatus, the apparatus has been exposed to rain or moisture, does not operate normally, or has been dropped.
14. Maintain a minimum distance of 2" (50mm) around the front, rear, and sides of the apparatus for sufficient ventilation. The ventilation should not be impeded by covering the ventilation openings or placing on or around the apparatus items such as newspapers, table-cloths, curtains, etc.
15. No open flame sources, such as lighted candles, should be placed on the apparatus.
16. The apparatus shall not be exposed to dripping or splashing. No objects filled with liquids, such as vases, shall be placed on the apparatus.
17. Either the power inlet connector on the rear of the apparatus or the power plug at the wall must remain accessible, to be able to disconnect power from the apparatus.
18. To completely disconnect this apparatus from the AC Mains, disconnect the power supply cord plug from the AC receptacle.
19. The mains plug of the power supply cord shall remain readily operable.

Specifications	XS Satellite	XS Subwoofer	S Satellite	S Subwoofer
Frequency Response:	150Hz – 20kHz	40Hz - 150Hz	132Hz – 20kHz	32Hz - 150Hz
Recommended Amplifier Power Range:	10 – 100 watts	—	10 – 125 watts	—
Sensitivity:	85dB [SPL/2.8v at 1m]	—	87dB [SPL/2.8v at 1m]	—
Nominal Impedance:	8 ohms	—	8 ohms	—
Crossover Frequency:	5000Hz	60Hz - 180Hz 24dB/ octave lowpass	4200Hz	60Hz - 180Hz 24dB/ octave variable lowpass
Amplifier Output:	—	100 watts RMS, (250 watts Peak); BassTrac® circuitry eliminates distortion	—	200 watts RMS, (300 watts Peak); BassTrac® circuitry eliminates distortion
Woofers:	2 1/2" (64mm)	8" (203mm)	3 1/2" (89mm)	10" (254mm) DCD
Tweeters:	1/2" (13mm)	—	3/4" (19mm)	—
Dimensions: (H x W x D)	4 ⁵ / ₁₆ x 4 ¹ / ₂ x 3 ³ / ₄ " (108 x 113 x 94mm)	12 ¹ / ₄ x 11 ³ / ₁₆ x 15 ⁹ / ₁₆ " (310 x 284 x 395mm)	5 ¹ / ₂ x 5 ¹ / ₂ x 5 ¹¹ / ₁₆ " (138 x 138 x 143mm)	13 ³ / ₈ x 12 ⁷ / ₁₆ x 17 ³ / ₁₆ " (339 x 315 x 435mm)

Introduction

Thank you for purchasing a Boston Acoustics Speaker System. These speakers incorporate high-quality components that produce the famous Boston sound. The SoundWare Home Theater System is ideally suited for use as a 5.1 channel solution in a high-quality home theater or music system.

The SoundWare Home Theater System delivers exceptionally articulate on-screen dialog, music, effects, and room filling bass from a small, sleek package. Compact driver placement and quality, system-specific crossovers assure a wide uniform dispersion for complete coverage of a listening room. All speakers also feature MagnaGuard® magnetic shielding which ensures the speakers' magnetic field does not interfere with the television's picture.

Unpacking the System

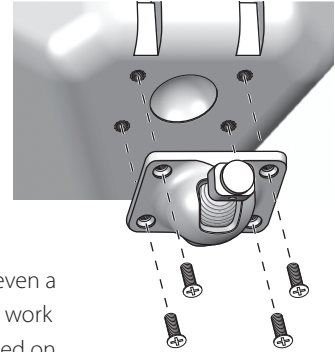
Carefully unpack the system. If there is any sign of damage from transit, report it immediately to your dealer and/or delivery service. Keep the shipping carton and packing materials for future use.

Placement Options

The SoundWare speaker can be wall mounted using the supplied hardware or simply placed on a shelf. If it is being placed on a shelf you can simply attach the adhesive-backed rubber feet and connect the speaker wires.

Attaching the Pivoting Ball Mount

If you plan to use the mounting brackets you must attach the pivoting ball mount to the speaker. Use the four supplied flat-head machine screws as shown in the illustration.



Mounting the Wall Bracket

Brackets for mounting the speakers on a flat wall or in a corner are supplied. One thing that is not supplied is hardware to attach the bracket to the wall. Why? Because there are so many different kinds of surfaces on which the speakers could be mounted. It could be basic drywall which may or may not have a stud behind it. It could be a wood panel or even a concrete foundation wall. There is no one type of fastener that we could supply that would work in all the possible situations. So taking into account the surface the speaker is being mounted on, acquire the appropriate type of fasteners. You'll need four for each speaker. If you're not sure what type of fastener to use, take the mounting bracket to a friendly hardware store, tell them about the wall you're mounting the speaker on, and ask them to recommend an appropriate fastener. Keep in mind the weight of the speaker.

Speaker Wires

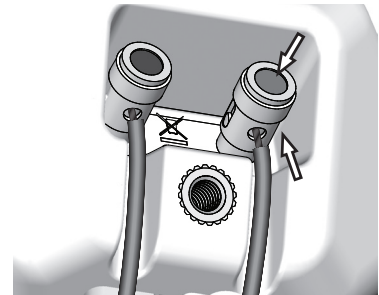
For short runs of less than 20 feet or so you can use 18 gauge wire. For runs of more than 50 feet use 16 gauge wire.

Speaker Connection Polarity

All the speakers in a system must be hooked up with the same polarity or "in phase." The terminals on the SoundWare speakers are color coded to identify the "+" (red) and "-" (black) connections. All wire is marked in some way so you can tell one conductor from the other. The marking may be a ridge molded into the insulation of one conductor, or it may have a stripe on the insulation, or it may be color coded. Use the marking on the speaker wires to be sure that the "+" terminal of the amplifier is connected to the "+" terminal of the speaker, and "-" is connected to "-", at every connection.

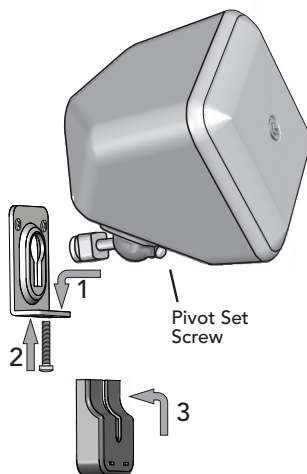
Connecting the Speakers

Separate the two conductors of the wire. Remove about 3/8" of insulation from the end of the wire. Push down on the top of the terminal to open the hole for the wire. Insert the wire and release the terminal to secure it. Be sure there are no loose strands of wire. **Note:** there is a channel in the back of the speaker for the wire (for wires up to 18 gauge), to keep it neat and out of sight.



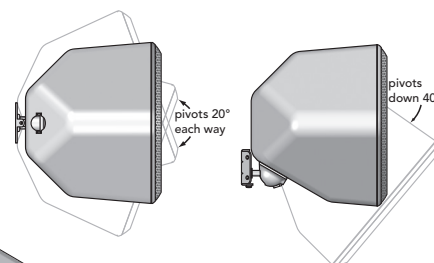
Mounting the Speakers

Once you have the bracket mounted and the speaker connected the rest is easy.

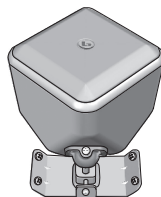


- 1 Put the rounded end of the speaker mount in the bracket and slide it down to lock it in place.
- 2 Optional – Insert and tighten the screw to secure everything.
- 3 Snap the cover over the bracket.

The SoundWare speakers pivot on their mounts. Vertically they can go from facing straight out to being tilted down 40 degrees. When the flat wall mounting bracket is used they can pivot side to side 20 degrees. (Note: Corner mounting will not allow the speaker to pivot side-to-side.) Loosen the pivot set screw on the front of the pivoting ball mount, pivot the speaker into position and retighten the screw.



The SoundWare speakers can also be mounted using the supplied corner bracket.

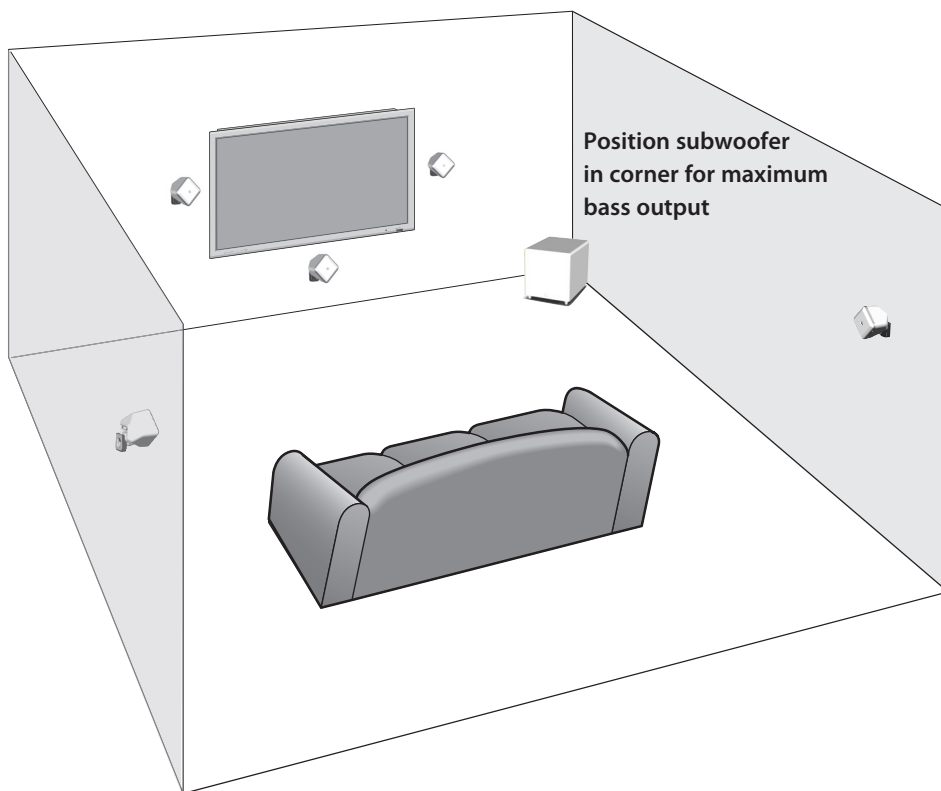


Subwoofer Placement

Place the subwoofer next to a wall or in a corner near your main speakers. The sound is typically best when the subwoofer is within 15 feet (4.5m) of the main speakers. The sharp 24dB/octave crossover roll-off permits placement farther from the main speakers if necessary. Since the ear is unable to localize the low frequencies of the subwoofer, the bass still appears to come from the main speakers. Experimentation is key, however most positions in the room will work well.

The level of bass output from the subwoofer will vary at different positions in a room. When placed near walls, its loudness is emphasized. Corner placement provides the most bass output. Placement completely away from walls may produce too little bass. Regardless of the natural bass level within the room you will always have the ability to adjust the level of the subwoofer from the built in volume control. If at any time you move the subwoofer be sure to check all of your settings.

IMPORTANT: Do not place the subwoofer where there is a chance of contact between the rear panel and drapes or furniture.



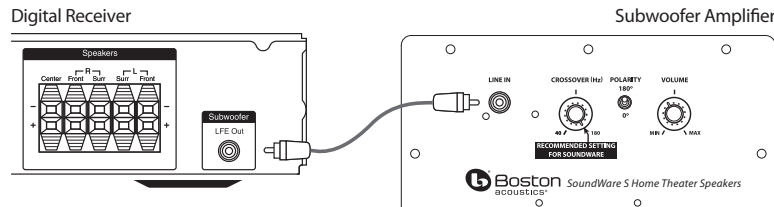
Subwoofer Connections

NOTE: Power is always supplied to the subwoofer electronics unless it is unplugged or switched to the **off** position using the power switch located on the rear panel. The auto-on circuitry only activates or deactivates the power amplifier. Make sure your subwoofer and receiver are unplugged when making the connection.

Power: When plugging your subwoofer in be sure to use a wall outlet, or dedicated electrical outlet. Some receivers will provide a switched outlet. Do not use this. These on board electrical outlets do not offer the amount of current or proper isolation required by a power amplifier, such as the one in your subwoofer.

Select "subwoofer-yes" from your receiver's set-up menu. If the receiver gives a choice of crossover filter frequency, use 150Hz or 120Hz. Hooked up this way, the receiver's amplifier is relieved of having to reproduce the difficult low bass signals that can drive the receiver into audible distortion. In some cases, it can also depend on several other settings within a receiver. We recommend consulting your receiver manual for further assistance in this area.

Turn off all power. Use a subwoofer cable, as shown, to connect your digital receiver's LFE subwoofer output to the subwoofer. Connect the other end to the Line In.



Adjusting the Crossover Control

Set the crossover control on the subwoofer to 180Hz. Fine-tune the crossover setting by ear for the smoothest blend with your main speakers. The best setting of the crossover control will depend on speaker placement and personal preference.

Operation

Power On/Off

Plug the subwoofer's AC cord into a wall outlet. Do not use the outlets on the back of the receiver. Set the power switch to the desired setting.

OFF – The subwoofer is off and will not produce any sound. You may want to turn your subwoofer off if you will not be using it for some time or wish to conserve electricity.

ON – The subwoofer is always on.

MUTE – If no signal is detected after several minutes, it will automatically enter the Mute mode.

An LED indicator between the **Power** switch and the **Polarity** switch indicates what mode the subwoofer is in.

OFF – The subwoofer is off

RED – MUTE (No signal detected, Audio Off)

GREEN – ON (Signal detected, Amp On)

The subwoofer will automatically enter the Mute mode after several minutes when no signal is detected from your system. The subwoofer will then power ON instantly when a signal is detected.

Crossover Control

Adjusts the frequency of the low pass filter for the subwoofer. Set the crossover control on the subwoofer to 180Hz.

Volume Control

Turn the subwoofer **Volume** control to the 11 o'clock position. If the subwoofer makes no sound, check the AC-line cord,

Power switch, and input cables. (Are the connectors on the cables making proper contact? Is the AC-line cord connected to a “live” receptacle, is the subwoofer in either the **Auto** or **On** position?)

Adjust the subwoofer **Volume** control until you hear a match between the main speaker and subwoofer. Bass response should not overpower the room but rather be adjusted so there is a natural blend across the entire musical range.

Polarity Control

(0° or 180°): Selects regular (0°) or inverted (180°) phase for the subwoofer. Set this switch to provide the fullest, most dynamic bass. The effect of phase will be most audible on low-frequency percussion instruments or music with a continuously repeating bass line.

Maintenance and Service

All wiring connections should be inspected and cleaned or remade at least once a year. If a problem does occur, make sure that all connections are properly made, secure and clean. If a problem occurs in one loudspeaker, rewire that speaker in a different location within the system. Should the problem persist in this speaker the problem is within the speaker. If the speaker sounds fine in the new position it is a strong indication of a more in depth issue with the electronics in the system. In the event that your SoundWare home theater speakers ever needs service, contact your local Boston Acoustics dealer or visit bostonacoustics.com for a list of dealers in your area.

If your subwoofer does not play, check that all the connectors on the cables are making proper contact and that the AC plug connected to a “live” receptacle.

Limited Warranty

Boston Acoustics warrants to the original purchaser of our SoundWare system that it will be free of defects in materials and workmanship in its mechanical parts for a period of 5 years from the date of purchase. The warranty period for the electrical components of SoundWare home theater speakers is 1 year.

Your responsibilities are to install and use them according to the instructions supplied, to provide safe and secure transportation to an authorized Boston Acoustics service representative, and to present proof of purchase in the form of your sales slip when requesting service.

Excluded from this warranty is damage that results from abuse, misuse, improper installation, accidents, shipping, or repairs/modifications by anyone other than an authorized Boston Acoustics service representative.

This warranty is limited to the Boston Acoustics product and does not cover damage to any associated equipment. This warranty does not cover the cost of removal or reinstallation. This warranty is void if the serial number has been removed or defaced. This warranty gives you specific legal rights, and you may also have other rights which vary from state to state.

If Service Seems Necessary

United States

First, contact the dealer from whom you purchased the product. If that is not possible, send an email to: **support@bostona.com** or write to:

Boston Acoustics, Inc.
100 Corporate Drive
Mahwah, NJ 07490 USA

Canada

First, contact the dealer from whom you purchased the product. If that is not possible, send an email to: **support@dmcanada.ca** or write to:

D&M Canada
5-505 Apple Creek Blvd
Markham, ON L3R 5B1

All Other Countries

Contact the dealer from whom you purchased the product or contact your local distributor. For more information, please visit bostonacoustics.com/support

INSTRUCCIONES DE SEGURIDAD IMPORTANTES



Este símbolo que aparece en el aparato indica peligros derivados de tensiones peligrosas.



Este símbolo que aparece en el aparato indica que el usuario debe leer todos los avisos de seguridad del manual del usuario.



Este símbolo que aparece en el aparato indica doble aislamiento.



¡ADVERTENCIA! Para reducir el riesgo de incendio o descarga eléctrica, no exponga el aparato a la lluvia o a la humedad.



Este símbolo que aparece en el aparato indica que el aparato se debe colocar en un punto de recolección separada para desechos electrónicos y no debe ser arrojado junto con los residuos domésticos.

1. Lea estas instrucciones.
2. Guarde estas instrucciones.
3. Preste atención a todas las advertencias.
4. Siga todas las instrucciones.
5. No use este aparato cerca de agua.
6. Limpie únicamente con una tela seca.
7. No obstruya las aberturas para ventilación. Instale de acuerdo con las instrucciones del fabricante.
8. No instale cerca de fuentes de calor como radiadores, rejillas de calefacción, estufas u otros aparatos (incluidos amplificadores) que emitan calor.
9. No anule el propósito de seguridad del enchufe polarizado o de puesta a tierra. Un enchufe polarizado tiene dos patas, una más ancha que la otra. Un enchufe de puesta a tierra tiene dos patas y una tercera de puesta a tierra. La pata ancha o la tercera pata es para su seguridad. Si el enchufe provisto no encaja en el toma, consulte a un electricista para reemplazar el toma obsoleto.
10. Proteja el cable de alimentación para que no se pise ni se apriete, especialmente en los enchufes, en los receptáculos, y en el punto donde salen del aparato.
11. Utilice únicamente aditamentos o accesorios especificados por el fabricante.
12. Desenchufe el aparato durante tormentas eléctricas o cuando no se lo utilice durante períodos largos.
13. Todas las actividades de asistencia técnica deben ser realizadas por personal de servicio calificado. Se requiere asistencia técnica cuando el aparato se ha dañado de cualquier manera, por ejemplo por daño del cable de alimentación o del enchufe, derrame de un líquido o caída de objetos en el aparato, exposición del aparato a lluvia o humedad, o mal funcionamiento o caída del aparato.
14. Mantenga una distancia mínima de 2" (50mm) en el frente, la parte posterior y los lados del aparato, para que reciba suficiente ventilación. La ventilación no debe ser impedida cubriendo las aberturas para ventilación ni colocando sobre o alrededor del aparato elementos como periódicos, manteles, cortinas, etc.
15. No se deben colocar fuentes de llama abierta, como velas encendidas, sobre el aparato.
16. El aparato no se debe exponer a goteos ni salpicaduras. No se deben colocar objetos llenos de líquido, como floreros, sobre el aparato.
17. Ya sea el conector de entrada de potencia en la parte posterior del aparato o el enchufe de la pared debe permanecer accesible, para poder desconectar la potencia del aparato.
18. Para desconectar el aparato por completo de la red de AC, desconecte el cable de alimentación del receptáculo de AC.
19. El enchufe del cable de alimentación debe permanecer listo para funcionar.

Especificaciones	XS Satellite	XS Subwoofer	S Satellite	S Subwoofer
Respuesta de frecuencia:	150Hz – 20kHz	40Hz - 150Hz	132Hz – 20kHz	32Hz - 150Hz
Rango de potencia de amplificador recomendado:	10 – 100 vatios	—	10 – 125 vatios	—
Sensibilidad:	85dB [SPL/2.8v at 1m]	—	87dB [SPL/2.8v at 1m]	—
Impedancia Nominal:	8 ohms	—	8 ohms	—
Frecuencia de transición:	5000Hz	60Hz - 180Hz 24dB/ octava pasa bajo	4200Hz	60Hz - 180Hz 24dB/ octava pasa bajo
Salida del amplificador:	—	100 vatios RMS, (250 vatios pico); BassTrac® los circuitos eliminan la distorsión	—	200 watts RMS, (300 watts Peak); BassTrac® circuitry eliminates distortion
Baffle de bajos:	2 ¹ / ₂ " (64mm)	8" (203mm)	3 ¹ / ₂ " (89mm)	10" (254mm) DCD
Baffle de agudos:	1 ¹ / ₂ " (13mm)	—	3 ³ / ₄ " (19mm)	—
Dimensiones: (Alto x Ancho x Profundidad)	4 ⁵ / ₁₆ x 4 ¹ / ₂ x 3 ³ / ₄ " (108 x 113 x 94mm)	12 ¹ / ₄ x 11 ³ / ₁₆ x 15 ⁹ / ₁₆ " (310 x 284 x 395mm)	5 ¹ / ₂ x 5 ¹ / ₂ x 5 ¹¹ / ₁₆ " (138 x 138 x 143mm)	13 ³ / ₈ x 12 ⁷ / ₁₆ x 17 ³ / ₁₆ " (339 x 315 x 435mm)

Introducción

Gracias por comprar el Sistema de parlantes de Boston Acoustics. Estos parlantes incorporan componentes de alta calidad que producen el sonido famoso de Boston. El sistema SoundWare está idealmente diseñado para usar como una solución de canal 5.1 en un sistema de cine en casa de alta calidad de canal 5.1 o un sistema de música.

El sistema SoundWare de parlantes ofrece, articulados excepcionalmente, un diálogo en pantalla, música, efectos y bajos de ambiente desde un paquete pequeño y elegante. La ubicación y calidad de la compactera, las frecuencias específicas del sistema aseguran una dispersión uniforme amplia para cubrir por completo una sala de audiciones. Todos los parlantes también presentan blindaje magnético MagnaGuard® que garantiza que el campo magnético del parlante no interfiera con la imagen televisiva.

Desembalaje del sistema

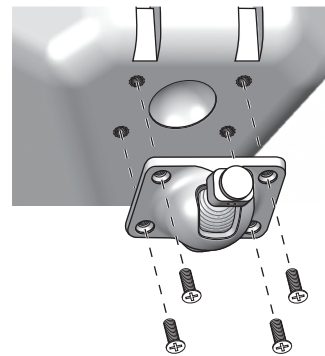
Desembale cuidadosamente el sistema. Si hay alguna señal de daños debidos al transporte, comuníquese inmediatamente a su distribuidor y/o a su servicio de entrega. Conserve el cartón de envío y los materiales de embalaje para una futura utilización.

Opciones de colocación

El altavoz SoundWare se puede colgar en la pared utilizando las herramientas suministradas o se puede colocar simplemente sobre una estantería. En este último caso, usted puede simplemente fijar los pies de goma con la parte posterior de adhesivo y conectar los cables del altavoz.

Cómo sujetar el soporte esférico giratorio

Si tiene pensado utilizar los soportes para colgar, debe fijar el soporte esférico giratorio al altavoz. Emplee los cuatro tornillos mecánicos de cabeza plana tal como se indica en la ilustración.



Cómo fijar los soportes a la pared

Se suministran los soportes para colgar los altavoces en una pared plana o en una esquina. Lo que no se suministra son las herramientas para fijar los soportes a la pared. ¿Por qué? Porque existen demasiados tipos diferentes de superficies en las que se podrían colgar los altavoces. Podría tratarse de una pared de yeso básica, con o sin un pilar detrás de ella. Podría ser un panel de madera o, incluso, un muro de cimentación de cemento. No existe ningún instrumento de sujeción que nosotros podamos suministrar y que pueda funcionar en todas las situaciones posibles. Así que, teniendo en cuenta el tipo de superficie en el que se está colgando el altavoz, adquiera el instrumento de sujeción apropiado. Necesitará cuatro para cada altavoz. Si no está seguro de qué tipo ha de utilizar, acuda con los soportes para colgar a una ferretería de su confianza, consulte sobre la pared en la que pretende colgar los altavoces y pida que le recomienden un instrumento de sujeción apropiado. Tenga en cuenta el tamaño del altavoz.

Cables del altavoz

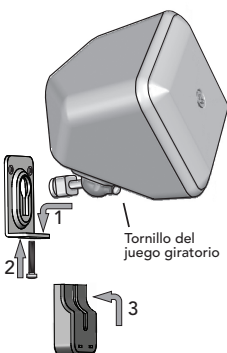
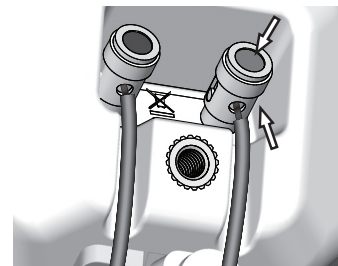
Para recorridos cortos, de menos de 6 metros más o menos, puede emplear un cable del calibre 18. Para recorridos de más de 15 metros, utilice un cable del calibre 16.

Polaridad de la conexión del altavoz

Todos los altavoces de un sistema deben acoplarse con la misma polaridad o "en fase". Los terminales de los altavoces SoundWare están codificados mediante colores para identificar las conexiones "+" (rojo) y "-" (negro). Todos los cables están marcados de manera que pueda distinguirse un conductor de otro. La marca puede consistir en un ribete moldeado en el aislamiento de un conductor o en una raya en el aislamiento, o bien el conductor puede estar codificado mediante color. Utilice la marca en los cables de altavoz para asegurarse de que el terminal "+" del amplificador está conectado al terminal "+" del altavoz, y que "-" está conectado a "-", en todas las conexiones.

Cómo conectar los altavoces

Separe los dos conductores del cable. Retire aproximadamente 3/8" de aislamiento del final del cable. Presione hacia abajo sobre la parte superior del terminal para abrir el orificio del cable. Inserte el cable y suelte el terminal para asegurarlo. Asegúrese de que no hay hebras de cable sueltas. **Nota:** en la parte posterior del altavoz hay un canal para cables de hasta calibre 18; para mantenerlo colocado y fuera de la vista.



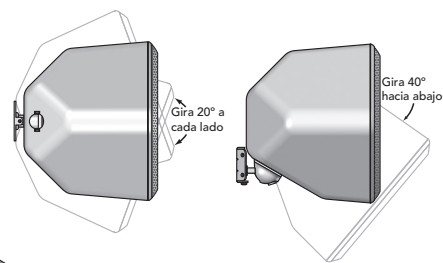
Cómo colgar los altavoces

Una vez haya fijado el soporte para colgar y conectado el altavoz, el resto es fácil.

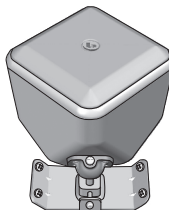
- 1 Coloque la parte redondeada del soporte esférico del altavoz en el soporte para colgar y deslícelo hacia abajo para encajarlo en su sitio.
- 2 Opcionalmente - Inserte y apriete el tornillo para asegurarlo todo.
- 3 Coloque la cubierta sobre el soporte.

Los altavoces SoundWare giran sobre sus soportes. Verticalmente, pueden desde mirar al frente hasta estar inclinados 40° hacia abajo. Cuando se utiliza el soporte para colgar sobre una pared plana, pueden girar 20° de lado a lado. (Nota: si se cuelga en una esquina, el altavoz no podrá girar de lado a lado.)

Afloje el tornillo del juego giratorio situado en la parte frontal del soporte esférico giratorio, gire el altavoz hasta su posición y vuelva a apretar el tornillo.



El SoundWare oradores también se puede montar utilizando el soporte de esquina.

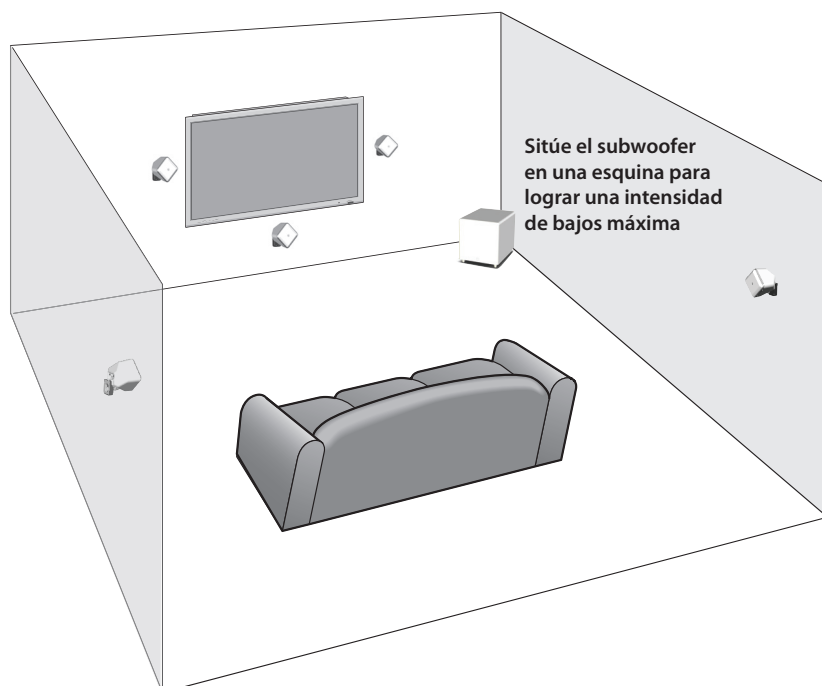


Opciones de colocación

Ponga el subwoofer al lado de una pared o en una esquina cerca de sus altavoces principales. El sonido es habitualmente mejor cuando el subwoofer se encuentra a menos de 15 pies (4,5 m) de los altavoces principales. La elevada atenuación progresiva de 24 dB / octava de la frecuencia de cruce permite colocarlos más lejos de los altavoces principales si es necesario. Dado que el oído no puede localizar las bajas frecuencias del subwoofer, los bajos todavía parecen provenir de los altavoces principales. Aunque la experimentación es clave, el dispositivo funcionará bien en la mayoría de las posiciones de la habitación.

El nivel de intensidad de bajos del subwoofer variará en diferentes posiciones en una habitación. Cuando se coloca cerca de las paredes, se enfatiza su intensidad de bajos. La colocación en una esquina proporciona la mayor intensidad de bajos. La colocación muy separado de las paredes puede producir unos bajos demasiado reducidos. Independientemente del nivel de bajos natural dentro de la habitación, siempre tendrá la capacidad de ajustar el nivel del subwoofer desde el control de volumen incorporado. Si en cualquier momento mueve el subwoofer, asegúrese de comprobar todos sus ajustes.

IMPORTANTE: no coloque el subwoofer donde exista la posibilidad de un contacto entre el panel trasero y cortinas o muebles.

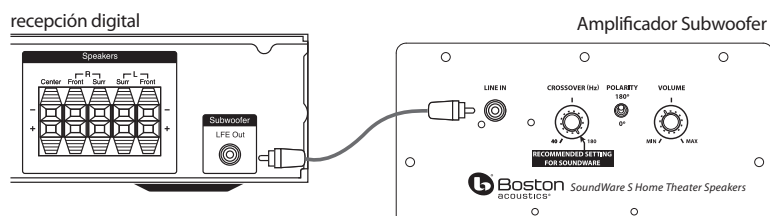


Conexiones del subwoofer

NOTA: Siempre se suministra potencia al subwoofer a menos que se desenchufe o se cambie a la posición *apagado* con el interruptor del panel posterior. Los circuitos de encendido automático únicamente activan o desactivan el amplificador de potencia. Asegúrese de que el subwoofer y el receptor estén desenchufados al realizar la conexión.

Potencia: Cuando enchufe el subwoofer, asegúrese de que use un toma de pared o un toma eléctrico dedicado. Algunos receptores le ofrecerán un toma con interruptor. No lo utilice. Estos tomas eléctricos en tablero no ofrecen la cantidad de corriente o la aislación correcta que requiere un amplificador de potencia, tal como el de su subwoofer.

Seleccione "subwoofer-sí" del menú de configuración de su receptor. Si el receptor da una opción de filtro de corte de frecuencia 150 Hz o 120 Hz uso. Conectado de esta manera, el amplificador del receptor no tiene la carga de reproducir las difíciles señales de graves bajos que pueden ocasionar la distorsión audible del receptor. En algunos casos, también puede depender de otros ajustes de un receptor. Recomendamos consultar el manual de su receptor.



Ajuste del Control de Transiciones

Como punto de partida, el conjunto cruzado de control del subwoofer a 180Hz. Realice el ajuste fino de la transición a oído, para lograr la combinación más uniforme con sus parlantes principales. La mejor configuración del control de transición depende de la ubicación del parlante y la preferencia personal.

Funcionamiento

Enchufe el cable AC del subwoofer en un toma de pared. No use tomas en la parte trasera del receptor. Coloque el interruptor de encendido en la configuración deseada.

OFF – El subwoofer está apagado y no producirá ningún sonido. Tal vez desee apagar el subwoofer si no lo usará por algún tiempo o desea ahorrar electricidad.

ON – El subwoofer siempre está encendido.

MUTE – Si no se detecta señal alguna, después de varios minutos cambiará automáticamente al modo de ahorro de energía Mute.

Un indicador LED entre el interruptor *Encendido* y el interruptor *Polaridad* indica en qué modo se encuentra el subwoofer.

OFF – El subwoofer está apagado

ROJO – MUTE (no se detecta señal, amplificador apagado)

VERDE – ENCENDIDO (se detecta señal, amplificador encendido)

El subwoofer ingresará automáticamente al modo MUTE luego de varios minutos cuando no se detecte señal proveniente de su sistema. El subwoofer se encenderá instantáneamente cuando se detecte una señal.

Control de transición

Ajusta la frecuencia a 180Hz del filtro de pasa bajo para el subwoofer.

Control de Volumen

Gire el control de *Volumen* del subwoofer a la posición de las 11 en punto. Si no emana ningún sonido del subwoofer, verifique el cable de AC, el interruptor de *Potencia* y los cables de entrada. (¿Los conectores de los cables están haciendo contacto correctamente? ¿El cable de AC está conectado a un receptáculo "vivo"? ¿El subwoofer está en la posición Auto o Encendido?)

Ajuste el control del **Volumen** del subwoofer hasta que escuche una coincidencia entre el parlante principal y el subwoofer. La respuesta de graves no debe dominar el sonido de la habitación, sino que se deben ajustar de manera que exista una combinación natural en todo el rango musical.

Control de Polaridad

(0° ó 180°): Selecciona la fase regular (0°) o invertida (180°) para el subwoofer. Ajuste este interruptor para producir los bajos más completos y dinámicos. El efecto de la fase será más audible en los instrumentos de percusión de baja frecuencia o en la música con una línea de repetición constante de bajos.

Mantenimiento y Servicio

Todas las conexiones de cableado deben inspeccionarse y limpiarse o establecerse de nuevo por lo menos una vez al año. Si se produce algún problema, asegúrese de que todas las conexiones se han realizado adecuadamente y que están sujetas y limpias. Si se produce un problema en un parlante, vuelva a cablear ese parlante en una ubicación diferente dentro del sistema. Si el problema persiste en este parlante, el problema está en el parlante. Si suena bien en la nueva posición, es una indicación muy clara de que hay un problema de mayor calado en la electrónica del sistema. En el caso de que su sistema SoundWare necesite asistencia técnica, póngase en contacto con su distribuidor local de Boston Acoustics o visite bostonacoustics.com para conseguir un listado de distribuidores en su zona. Si el subwoofer no funciona, verifique que todos los conectores en los cables están haciendo contacto correctamente y que el enchufe de AC está conectado a un receptáculo "vivo".

Garantía Limitada

Boston Acoustics garantiza al comprador original de nuestro sistema SoundWare que no tendrá defectos de materiales ni de mano de obra en sus piezas mecánicas durante un período de 5 años desde la fecha de compra. El período de garantía de los componentes eléctricos del SoundWare es de 1 año.

Es responsabilidad suya instalarlos y utilizarlos de acuerdo con las instrucciones suministradas, proporcionar un transporte seguro hasta un representante de servicio autorizado de Boston Acoustics, y presentar la prueba de compra en forma de recibo de compra cuando sea necesario este servicio.

Quedan excluidos de esta garantía los daños que resulten del abuso, del mal uso, de una instalación inadecuada, de accidentes, del transporte, o de reparaciones/modificaciones por parte de cualquiera que no sea el representante de servicio autorizado de Boston Acoustics.

Esta garantía se limita al producto de Boston Acoustics y no cubre daños de equipos afines. Esta garantía no cubre los costos de desinstalación o reinstalación. Esta garantía será nula cuando se haya retirado o borrado el número de serie. Esta garantía le otorga derechos legales específicos y también le podrían corresponder otros derechos que varían de un país a otro.

Si cree que necesita asistencia técnica

De los Estados Unidos

En primer lugar, en contacto con el distribuidor donde adquirió el producto. Si eso no es posible, envíe un correo electrónico a: support@bostona.com o escriba a:

Boston Acoustics, Inc.
100 Corporate Drive
Mahwah, NJ 07490 USA

Canadá

En primer lugar, en contacto con el distribuidor donde adquirió el producto. Si eso no es posible, envíe un emailto: support@dmcanada.ca o escriba a:

D&M Canada
5-505 Apple Creek Blvd
Markham, ON L3R 5B1

Resto de los países

En contacto con el distribuidor donde adquirió el producto o póngase en contacto con su distribuidor local. Para obtener más información, visite bostonacoustics.com/support

INSTRUCTIONS DE SÉCURITÉ IMPORTANTES



Ce symbole apposé sur l'appareil indique des tensions dangereuses.



Ce symbole apposé sur l'appareil indique à l'utilisateur qu'il doit lire l'ensemble des instructions de sécurité mentionnées dans le guide de l'utilisateur.



Ce symbole apposé sur l'appareil indique une double isolation.



AVERTISSEMENT ! Pour réduire les risques d'incendie ou de choc électrique, n'exposez pas cet appareil à la pluie ou à l'humidité.



Ce symbole apposé sur l'appareil indique que ce dernier doit être mis au rebut dans une installation de collecte séparée pour les déchets électroniques et non jeté avec les ordures ménagères.

1. Lisez les présentes instructions.
2. Conservez les présentes instructions.
3. Respectez tous les avertissements.
4. Suivez toutes les instructions.
5. N'utilisez pas cet appareil à proximité d'un liquide.
6. Nettoyez uniquement l'appareil avec un chiffon sec.
7. N'obturez pas les ouvertures d'aération. Installez l'appareil en accord avec les instructions du fabricant.
8. N'installez pas l'appareil à proximité d'une source de chaleur, telle qu'un radiateur, une bouche de chaleur, une cuisinière ou autre appareil (y compris des amplificateurs) qui dégage de la chaleur.
9. Ne désactivez pas le dispositif de sécurité de la prise de terre ou polarisée. Une prise polarisée est équipée de deux fiches, l'une étant plus large que l'autre. Une prise de terre est équipée de deux fiches et d'une troisième fiche de terre. La fiche large ou troisième fiche est installée pour des raisons de sécurité. Si la prise fournie ne correspond pas à votre prise murale, consultez un électricien pour remplacer cette prise murale inadaptée.
10. Protégez le cordon d'alimentation (personne ne doit marcher dessus et il ne doit pas être pincé, en particulier au niveau des prises), les prises de courant et le point où les prises sortent de l'appareil.
11. Utilisez uniquement les accessoires recommandés par le fabricant.
12. Débranchez l'appareil pendant les orages ou pendant les périodes de non utilisation prolongées.
13. Consultez un professionnel qualifié pour toutes les réparations. L'appareil doit être réparé quand il a été endommagé, notamment si le cordon d'alimentation ou la prise sont endommagés, si un liquide a été renversé ou si des objets sont tombés sur l'appareil, si l'appareil a été exposé à la pluie ou l'humidité, s'il ne fonctionne pas correctement, ou s'il est tombé.
14. Conservez une distance minimale de 50mm tout autour de l'appareil afin d'assurer une aération adéquate. L'aération ne doit pas être bloquée en obturant les ouvertures d'aération ou en plaçant sur ou à côté de l'appareil des objets tels que des journaux, des nappes, des rideaux, etc.
15. Aucune flamme nue, notamment des bougies allumées, ne doit être placée sur l'appareil.
16. L'appareil ne doit pas être exposé à un suintement ou des éclaboussures d'eau. Aucun objet rempli de liquide, tel qu'un vase, ne doit être posé sur l'appareil.
17. Soit le connecteur d'entrée d'alimentation situé à l'arrière de l'appareil, soit la prise d'alimentation murale doit rester accessible afin de pouvoir couper l'alimentation de l'appareil.
18. Pour déconnecter totalement cet appareil du secteur CA, débranchez le cordon d'alimentation de la prise murale CA.
19. La prise de secteur du cordon d'alimentation doit toujours être en état de marche.

Spécifications	XS Satellite	XS Subwoofer	S Satellite	S Subwoofer
Distorsion de fréquence :	150Hz – 20kHz	40Hz - 150Hz	132Hz – 20kHz	32Hz - 150Hz
Plage de puissance recommandée pour l'amplificateur :	10 – 100 watts	—	10 – 125 watts	—
Sensibilité :	85dB [SPL/2.8v à 1m]	—	87dB [SPL/2.8v à 1m]	—
Impédance nominale :	8 ohms	—	8 ohms	—
Fréquence de coupure :	5000Hz	60Hz - 180Hz 24dB/ octave lowpass	4200Hz	60Hz - 180Hz 24dB/ octave variable lowpass
Sortie de l'amplificateur :	—	100 watts RMS, (250 watts crete); le circuit BassTrac® élimine les distorsions	—	200 watts RMS, (300 watts crete) le circuit BassTrac® élimine les distorsions
Haut-parleur de graves :	2 ¹ / ₂ " (64mm)	8" (203mm)	3 ¹ / ₂ " (89mm)	10" (254mm) DCD
Haut-parleur d'aigus :	1/2" (13mm)	—	3/4" (19mm)	—
Dimensions : (H x W x D)	4 ⁵ / ₁₆ x 4 ¹ / ₂ x 3 ³ / ₄ " (108 x 113 x 94mm)	12 ¹ / ₄ x 11 ³ / ₁₆ x 15 ⁹ / ₁₆ " (310 x 284 x 395mm)	5 ¹ / ₂ x 5 ¹ / ₂ x 5 ¹¹ / ₁₆ " (138 x 138 x 143mm)	13 ³ / ₈ x 12 ⁷ / ₁₆ x 17 ³ / ₁₆ " (339 x 315 x 435mm)

Présentation

Merci d'avoir acheté un système de haut-parleur multivoies Boston Acoustics. Ces haut-parleurs contiennent des composants de haute qualité qui produisent le fameux son Boston. Le SoundWare est parfaitement adapté à un système de musique stéréo ou Home Cinéma de haute qualité avec canal 5.1.

Le SoundWare délivre des fonctions exceptionnelles comme un dialogue à l'écran, une musique et des effets exceptionnellement clairs, et des basses qui emplissent la pièce, le tout dans un boîtier élégant et peu encombrant. Le positionnement compact et la qualité des répartiteurs spécifiques au système assurent une large dispersion uniforme pour une couverture complète de la salle d'écoute. Tous les haut-parleurs dispose d'un blindage magnétique MagnaGuard® afin que le champ magnétique des haut-parleurs n'interfèrent pas avec l'image de votre télévision.

Déballage du système

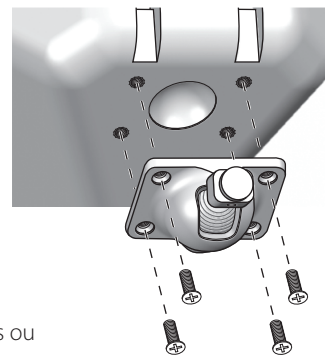
Déballer soigneusement le système. En cas de dommages évidents pendant le transport, veuillez contacter immédiatement le revendeur et/ou le service de livraison. Conservez le carton et les matériaux d'emballage pour une utilisation ultérieure.

Options d'installation

Le haut-parleur SoundWare peut être fixé sur un mur à l'aide du matériel fourni ou simplement posé sur une étagère. S'il est placé sur une étagère, fixez simplement le pied adhésif en caoutchouc et branchez les fils.

Fixation du support à rotule pivotante

Si vous désirez utiliser le support de montage, vous devez fixer le support à rotule pivotante au haut-parleur. Utilisez les quatre vis de mécanique à tête fraisée fournies comme illustré sur l'image.



Fixation du support mural

Les supports de fixation des haut-parleurs sur un mur plat ou dans un coin sont fournis. Toutefois, le matériel de fixation au mur n'est pas fourni. Pourquoi ? Car les haut-parleurs peuvent être fixés sur de nombreuses surfaces différentes. Il peut s'agir d'une cloison sèche ordinaire qui peut être supportée ou non par un poteau. Il peut s'agir d'un panneau en bois ou même d'un mur de fondation en béton. Nous ne pouvons fournir aucune pièce de fixation unique, adaptée à toutes les situations. En prenant en compte la surface sur laquelle vous devez monter le haut-parleur, veuillez acheter les pièces de fixation adaptées. Vous avez besoin de quatre pièces de fixation par haut-parleur. Si vous ne savez quel type de fixation utiliser, apportez le support de fixation dans un magasin de bricolage, indiquez le type de mur sur lequel vous allez installer le haut-parleur, et demandez la pièce de fixation recommandée. N'oubliez pas le poids du haut-parleur.

Fils des haut-parleurs

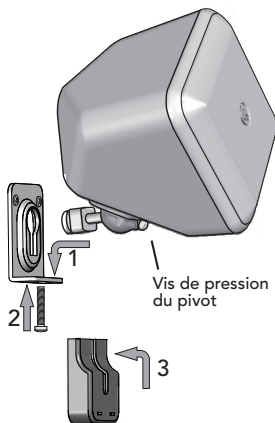
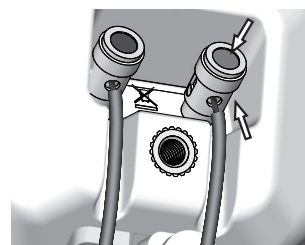
Pour les distances de moins de 6m vous pouvez utiliser un fil de taille 18. Pour les distances supérieures à 15m, utilisez un fil de taille 16.

Polarité de branchement des haut-parleurs

Tous les haut-parleurs d'un système doivent être suspendus avec la même polarité, c'est-à-dire « en phase ». Les bornes des haut-parleurs SoundWare sont codées par couleur pour identifier les bornes « + » (rouge) et « - » (noire). Tous les fils sont marqués d'une manière ou d'une autre afin de pouvoir distinguer les deux conducteurs. Le marquage peut être moulé dans la gaine d'un conducteur, ou la gaine peut être striée, ou il peut s'agir d'un code couleur. Utilisez le marquage des fils des haut-parleurs pour vérifier que la borne « + » de l'amplificateur est branchée à la borne « + » du haut-parleur, et que la borne « - » est branchée à la borne « - » pour chaque branchement.

Branchement des haut-parleurs

Séparez les deux conducteurs du fil. À l'extrémité du fil, dénudez la gaine sur environ 9mm. Appuyez sur le sommet de la borne pour ouvrir un orifice destiné au fil. Insérez le fil et relâchez la borne pour bloquer le fil. Vérifiez que tous les conducteurs de fil sont branchés. **Note** : le haut-parleur est pourvu d'un canal pour les fils de calibre 18, à l'arrière pour cacher et ranger proprement les fils.

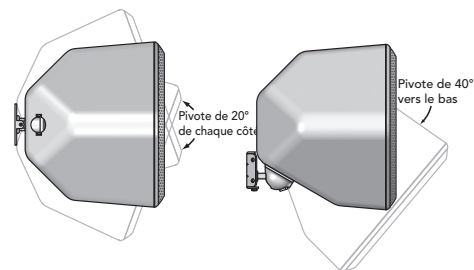


Fixation des haut-parleurs

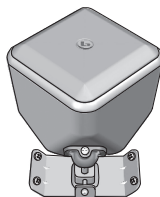
Dès que le support est monté et le haut-parleur branché, la procédure suivante est simple.

- 1 Placez l'extrémité arrondie du support du haut-parleur dans le support mural et faites-le glisser pour le bloquer en place.
- 2 En option – Insérez et serrez la vis pour fixer l'ensemble.
- 3 Emboîter le couvercle sur le support.

The Les haut-parleurs SoundWare peuvent pivoter dans leurs supports. Ils peuvent être inclinés de 40 degrés vers le bas dans le sens vertical. Quand le support de fixation mural est employé, ils peuvent pivoter de 20 degrés dans le sens latéral. (Note : le support de coin ne permet pas de faire pivoter le haut-parleur dans le sens latéral.) Desserrez la vis de pression du pivot à l'avant du support à rotule pivotante ; faites pivoter le haut-parleur en position et resserrez la vis.



SoundWare Les haut-parleurs peuvent également être montés à l'aide du support de coin.

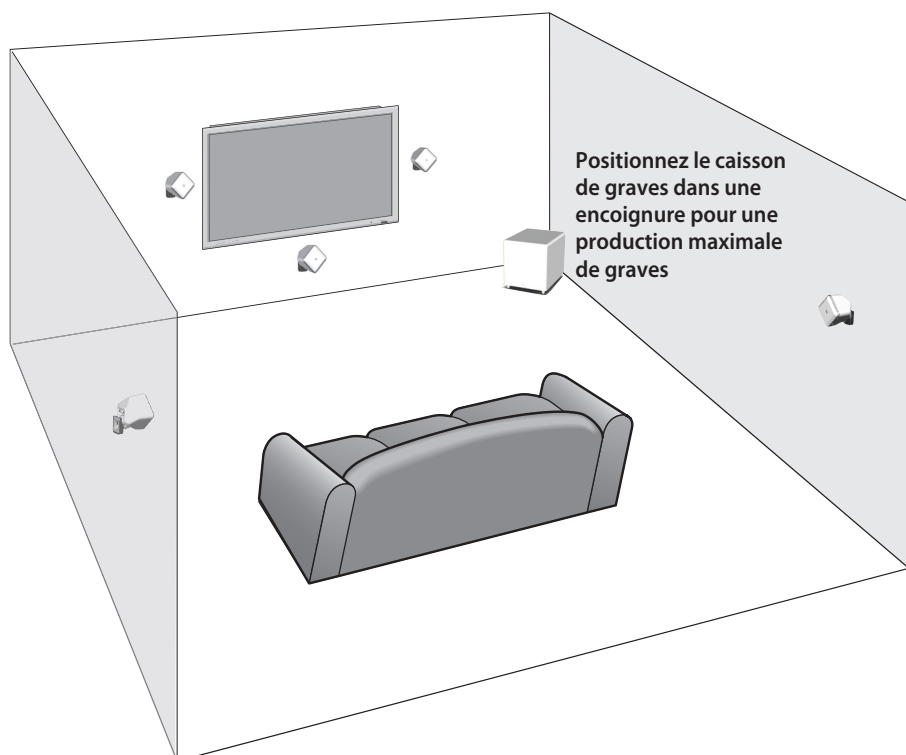


Options de positionnement

Placez le caisson de graves à proximité d'un mur ou dans une encoignure près de vos haut-parleurs principaux. Typiquement, le son est meilleur lorsque le caisson de graves est dans un rayon de 4,5m des haut-parleurs principaux. La pente aiguë de 24dB/octave du répartiteur permet un positionnement plus éloigné des haut-parleurs principaux si nécessaire. Étant donné que l'oreille est incapable de localiser les basses fréquences du caisson de graves, les graves semblent toujours provenir des haut-parleurs principaux. Il est essentiel d'expérimenter en essayant différents positionnements, toutefois, la plupart des positions dans la pièce seront adéquates.

Le niveau sonore des graves provenant du subwoofer varie en fonction de son positionnement dans une pièce. Lorsqu'il est placé à proximité de murs, son volume sonore est amplifié. Un positionnement dans une encoignure produit les sons les plus graves. Un positionnement complètement éloigné des murs pourrait produire des graves insuffisants. Quel que soit le niveau de graves naturel à l'intérieur de la pièce, vous aurez toujours la possibilité de régler le volume du caisson de graves grâce à la commande incorporée. Si vous déplacez à tout moment le caisson de graves, veillez à bien vérifier tous vos réglages.

IMPORTANT : Ne placez pas le caisson de graves dans un endroit où il existe un risque de contact entre le panneau arrière et des draperies ou des meubles.

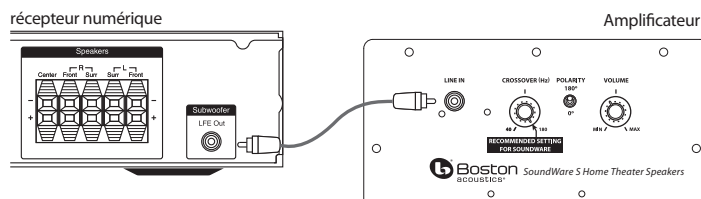


Branchements du caisson de basse

NOTE : L'électronique du caisson de basse est toujours sous tension sauf s'il est débranché ou éteint en plaçant le commutateur situé sur le panneau arrière en position **OFF**. Le circuit d'activation automatique allume ou désactive uniquement l'amplificateur de puissance. Vérifiez que le caisson de basse et le récepteur sont débranchés avant d'effectuer la connexion.

Alimentation : Quand vous branchez votre caisson de basse, utilisez une prise murale ou une prise électrique dédiée. Certains récepteurs disposent d'une prise commutée. Ne l'utilisez pas. Ces prises électriques embarquées n'offrent pas une intensité de courant suffisante ou une isolation adaptée à un amplificateur de puissance comme celui présent dans votre amplificateur. Sélectionnez la commande "subwoofer-yes" (activation caisson de basse) dans le menu de configuration de votre récepteur. Si le récepteur donne un choix de l'utilisation des fréquences du filtre crossover 150Hz ou 120Hz Branché ainsi, l'amplificateur du récepteur n'a pas besoin de reproduire les signaux complexes des basses faibles qui peuvent entraîner une distorsion audible du récepteur. Dans certains cas, ce facteur peut également dépendre de plusieurs paramètres de configuration du récepteur. Nous vous conseillons de consulter le manuel du récepteur pour obtenir des informations complémentaires à ce sujet.

Utilisez le câble du caisson de basse comme illustré pour brancher le caisson à la sortie Subwoofer LFE de votre récepteur numérique. Branchez l'autre extrémité à l'entrée LINE IN.



Ajustement de la commande du répartiteur

Como punto de partida, el conjunto cruzado de control del subwoofer a 180Hz. Affinez le réglage du filtre de coupure à l'oreille pour obtenir le meilleur son avec vos enceintes principales. Le meilleur réglage du contrôle de filtre de coupure dépend de l'emplacement des enceintes et de vos préférences personnelles.

Fonctionnement

Activation/Auto/En attente

Branchez le cordon CA du caisson de basse à une prise électrique murale. N'utilisez pas les prises situées à l'arrière du récepteur. Placez le commutateur d'alimentation en position souhaitée.

OFF – Le caisson de basse est éteint et ne génère aucun son. Vous pouvez éteindre votre caisson de basse si vous ne l'utilisez pas pendant un certain temps ou si vous désirez limiter la consommation de courant.

ON – Le caisson de basse est toujours allumé.

MUTE – En l'absence de signal, il passe automatiquement en mode veille après quelques minutes.

Un témoin DEL situé entre les commutateurs **Power** et **Polarity** indique le mode du caisson de basse.

Éteint – Le caisson de basse est éteint.

ROUGE – MUTE (aucun signal détecté, Amp éteint)

VERT – ACTIVÉ (signal détecté, Amp en marche)

Si aucun signal n'est détecté, le caisson de basse passe automatiquement en mode Mute après quelques minutes. Dès qu'il détecte un signal, le caisson de basse s'allume instantanément.

Contrôle de filtre de coupure

Ajustez la fréquence du filtre passe-bas pour le caisson de basse.

Commande de volume

Tournez la commande de **Volume** du caisson de basse à la position 11 heures. Si le caisson de basse n'émet aucun son, vérifiez le cordon d'alimentation CA, le commutateur d'alimentation **Power** et les câbles d'entrée. (Le contact des connecteurs des câbles est-il correct ? Le cordon d'alimentation CA est-il branché à une prise de courant en état de marche ? Le caisson de basse est-il en position Auto ou ON ?)

Ajustez la commande de **Volume** du caisson de basse jusqu'à entendre une correspondance entre le haut-parleur principal et le caisson de basse. La réponse des basses ne doit pas écraser l'ambiance sonore de la pièce. En fait, elle doit être ajustée jusqu'à obtenir un mélange naturel sur toute la plage musicale.

Commande de polarité

(0° ou 180°) : Sélectionne une phase régulière (0°) ou inversée (180°) pour le caisson de basse. Réglez ce commutateur pour obtenir des basses plus pleines et plus dynamiques. L'effet de phase est le plus audible avec les instruments de percussion à basse fréquence ou une musique ayant une ligne de basses répétitive.

Maintenance et service après-vente

Une fois par an, vous devez inspecter et nettoyer ou débrancher et rebrancher les fils.

En cas de problème, vérifiez que tous les fils sont correctement branchés, sécurisés et propres. Si un seul haut-parleur présente un problème, rebranchez-le dans un emplacement différent au sein du système. Si le problème persiste avec ce haut-parleur, la panne se situe à l'intérieur même du haut-parleur. Si le son émit par le haut-parleur est correct quand vous l'installez dans une nouvelle position, il est évident que l'électronique du système présente un problème plus grave. Si votre SoundWare doit être réparé, veuillez contacter votre revendeur Boston Acoustics ou visiter le site bostonacoustics.com pour connaître le revendeur le plus proche de chez vous. Si votre caisson de basse ne marche pas, vérifiez que le contact de tous les connecteurs des câbles est correct et que la prise CA est branchée à une prise de courant en état de marche.

Garantie limitée

Boston Acoustics garantit à l'acheteur d'origine que les pièces mécaniques du système SoundWare ne comportent aucun défaut de pièce et main d'œuvre pendant une période de 5 ans à partir de la date d'achat. La période de garantie des composants électriques du SoundWare est de 1 an.

Votre responsabilité consiste à installer et à utiliser les haut-parleurs en accord avec les instructions fournies, à assurer un transport sécurisé vers un représentant de service agréé de Boston Acoustics, et à présenter une preuve d'achat sous la forme d'un ticket de caisse en cas de demande de service après-vente.

Les dommages résultant d'une utilisation abusive ou erronée, d'une installation incorrecte, d'un accident, d'une expédition inadaptée, ou de réparations / modifications par une personne autre qu'un représentant de service agréé de Boston Acoustics sont exclus de cette garantie.

La présente garantie est réservée au produit de Boston Acoustics et ne couvre pas les dommages d'un quelconque équipement associé. Elle ne couvre pas le coût de l'enlèvement ou de la réinstallation. La présente garantie est annulée si le numéro de série a été enlevé ou abîmé. Cette garantie vous accorde des droits légaux spécifiques. Vous pouvez disposer de droits complémentaires qui diffèrent d'un état à l'autre.

Demande de service après-vente

United States

Tout d'abord, contacter le revendeur auprès duquel vous avez acheté le produit. Si cela n'est pas possible, veuillez envoyer un emailto: support@bostona.com ou écrire à:

Boston Acoustics, Inc.
100 Corporate Drive
Mahwah, NJ 07490 USA

Canadá

Tout d'abord, contacter le revendeur auprès duquel vous avez acheté le produit. Si cela n'est pas possible, veuillez envoyer un emailto: support@dmcanada.ca ou écrire à:

D&M Canada
5-505 Apple Creek Blvd
Markham, ON L3R 5B1

Tous les autres pays

Contactez le revendeur auprès duquel vous avez acheté le produit ou contactez votre distributeur local. Pour plus d'informations, s'il vous plaît visitez bostonacoustics.com/support

IMPORTANTI ISTRUZIONI DI SICUREZZA



Questo simbolo riportato sull'apparecchio indica pericoli derivanti da voltaggi pericolosi.



Questo simbolo riportato sull'apparecchio indica l'obbligo da parte dell'utente di leggere tutte le istruzioni di sicurezza illustrate nel manuale per l'uso.



Questo simbolo riportato sull'apparecchio indica la presenza di un doppio isolamento.



AVVERTENZA! Per ridurre il rischio di incendio o di scossa elettrica, non esporre l'apparecchio alla pioggia o all'umidità.



Questo simbolo riportato sull'apparecchio indica che l'apparecchio va smaltito in appositi punti di raccolta per rifiuti elettronici e non va gettato con i rifiuti domestici.

1. Leggere le presenti istruzioni.
2. Conservare le presenti istruzioni.
3. Rispettare tutte le avvertenze.
4. Seguire tutte le istruzioni.
5. Non utilizzare l'apparecchio vicino all'acqua.
6. Pulire unicamente con un panno asciutto.
7. Non ostruire le aperture di ventilazione. Installare il prodotto nel rispetto delle istruzioni del produttore.
8. Non installare il prodotto nei pressi di sorgenti di calore quali radiatori, caloriferi, stufe o altri dispositivi (inclusi gli amplificatori) che generano calore.
9. Non aggirare la sicurezza offerta dalla spina polarizzata o con messa a terra. Una spina polarizzata presenta due lame, di cui una è più larga dell'altra. Una spina con messa a terra presenta due lame ed un terzo polo deputato alla messa a terra. La lama ampia o il terzo polo sono forniti per la sicurezza dell'utilizzatore. Se la spina in dotazione non è adatta alla propria presa, rivolgersi ad un elettricista per richiedere la sostituzione della presa obsoleta.
10. Evitare che il cavo di alimentazione venga calpestato o compresso, in particolare in corrispondenza delle spine, dei connettori femmina e dei punti in cui escono dall'apparecchio. Servirsi unicamente di accessori specificati dal produttore.
12. Scollegare l'apparecchio durante i temporali o quando non viene utilizzato per lunghi periodi di tempo.
13. Per qualsiasi lavoro di manutenzione, rivolgersi a personale di assistenza qualificato. L'assistenza tecnica è necessaria nel caso in cui l'apparecchio sia danneggiato, ad esempio per problemi a livello del cavo di alimentazione o della spina, in caso di rovesciamento di liquidi o di caduta di oggetti nell'apparecchio, o qualora questo sia stato esposto alla pioggia o all'umidità, presenti anomalie di funzionamento o sia caduto.
14. Rispettare una distanza minima di 50 mm dalle parti anteriore, posteriore e laterali dell'apparecchio per garantire una ventilazione sufficiente. La ventilazione non deve essere ostruita coprendo le apposite aperture oppure collocando sull'apparecchio o attorno ad esso giornali, tovaglie, tende, ecc.
15. Non collocare sull'apparecchio sorgenti a fiamma libera quali candele accese.
16. L'apparecchio non deve essere esposto a gocce o spruzzi. Non collocare sull'apparecchio oggetti, ad esempio vasi, riempiti con liquidi.
17. Garantire l'accesso al connettore di ingresso posto sul retro dell'apparecchio o alla presa a parete, in modo da consentire lo scollegamento dell'alimentazione dall'apparecchio stesso.
18. Per scollegare completamente questo apparecchio dalla rete di alimentazione CA, staccare la spina del cavo di alimentazione dal connettore femmina CA.
19. La spina di rete del cavo di alimentazione deve essere sempre facilmente accessibile.

Specifiche	XS Satellite	XS Subwoofer	S Satellite	S Subwoofer
Risposta di frequenza:	150Hz – 20kHz	40Hz - 150Hz	132Hz – 20kHz	32Hz - 150Hz
Gamma di alimentazione raccomandata per l'amplificatore:	10 – 100 watt	—	10 – 125 watt	—
Sensibilità:	85dB [SPL/2.8v a 1m]	—	87dB [SPL/2.8v a 1m]	—
Impedenza nominale:	8 ohms	—	8 ohms	—
Frequenza di crossover:	5000Hz	60Hz - 180Hz 24dB/ ottava passabasso	4200Hz	60Hz - 180Hz 24dB/ ottava passabasso
Uscita amplificatore:	—	100 watts RMS, (250 watt di picco); la circuiteria BassTrac® elimina la distorsione	—	200 watts RMS, (300 watt di picco); la circuiteria BassTrac® elimina la distorsione
Woofers:	2 1/2" (64mm)	8" (203mm)	3 1/2" (89mm)	10" (254mm) DCD
Tweeters:	1/2" (13mm)	—	3/4" (19mm)	—
Dimensioni: (H x L x P)	4 ⁵ / ₁₆ x 4 ¹ / ₂ x 3 ³ / ₄ " (108 x 113 x 94mm)	12 ¹ / ₄ x 11 ³ / ₁₆ x 15 ⁹ / ₁₆ " (310 x 284 x 395mm)	5 ¹ / ₂ x 5 ¹ / ₂ x 5 ¹¹ / ₁₆ " (138 x 138 x 143mm)	13 ³ / ₈ x 12 ⁷ / ₁₆ x 17 ³ / ₁₆ " (339 x 315 x 435mm)

Introduzione

Grazie per aver acquistato un sistema di altoparlanti multicanale di Boston Acoustics. Questi altoparlanti incorporano componenti di alta qualità che producono il famoso suono Boston. Il SoundWare è l'ideale come soluzione canale 5.1 in un impianto home theater o musicale di alta qualità.

L'impianto di altoparlanti SoundWare offre un dialogo su schermo eccezionalmente articolato, musica, effetti e bassi che riempiono la sala in un pacchetto piccolo e snello. L'ubicazione compatta del driver e crossover di qualità e specifici per l'impianto garantiscono una dispersione ampia e uniforme che consente la copertura completa della sala nella quale avviene l'ascolto. Tutti gli altoparlanti sono inoltre dotati della schermatura magnetica MagnaGuard®, che garantisce che il campo magnetico dell'altoparlante non interferisca con l'immagine televisiva.

Disimballaggio del sistema

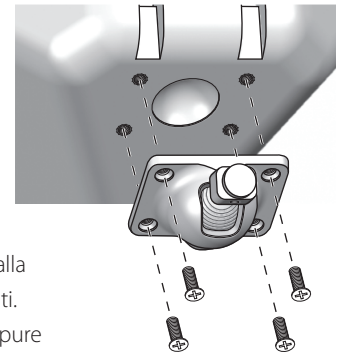
Effettuare con cautela il disimballaggio del sistema. Nel caso in cui si rilevino eventuali segni di danneggiamento durante il trasporto, contattare immediatamente il proprio rivenditore e/o servizio di consegna. Conservare il pacchetto di spedizione e i materiali di imballaggio per impieghi futuri.

Opzioni di posizionamento

L'impianto SoundWare può essere montato alla parete utilizzando i componenti in dotazione oppure posizionato su una mensola. Se posizionato su una mensola, è sufficiente attaccare i piedini di gomma adesivi e collegare i cavi degli altoparlanti.

Attaccare la placca girevole a sfera

Se avete intenzione di utilizzare le staffe di montaggio, dovete prima attaccare la placca girevole a sfera all'altoparlante. Utilizzate le quattro viti piatte in dotazione, come mostrato in figura.



Montaggio della staffa a muro

Vengono fornite in dotazione delle staffe per il montaggio degli altoparlanti su una parete piatta o in un angolo. Non viene, tuttavia, fornito l'hardware necessario per collegare la staffa alla parete. Questo perché esistono troppi tipi di superfici su cui è possibile montare gli altoparlanti. Potrebbe trattarsi di un semplice muro a secco con o senza montante di legno posteriore. Oppure potrebbe essere un compensato di legno o il muro portante di una casa. Non esiste un solo tipo di staffa che può essere usata in qualsiasi situazione. Quindi, prendendo in considerazione la superficie su cui viene montato l'altoparlante, acquistate il tipo di staffa più appropriato. Ne avrete bisogno di quattro per ciascun altoparlante. Se non siete sicuri di quale tipo di staffa acquistare, portate il supporto nel vostro negozio di fiducia, spiegate loro il tipo di parete su cui monterete l'altoparlante e fatevi consigliare le staffe più adatte. Tenete presente anche il peso dell'altoparlante.

Cavi degli altoparlanti

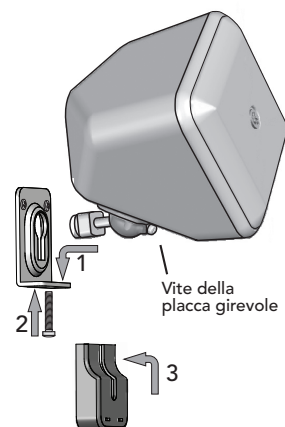
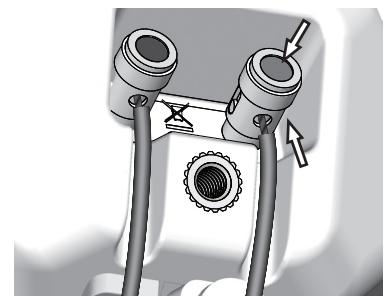
Per una distanza inferiore a 6 m, è possibile utilizzare un cavo da 18. Per distanze superiori, utilizzate un cavo da 16.

Polarità della connessione degli altoparlanti

Tutti gli altoparlanti nell'impianto devono essere collegati con la stessa polarità, o "in fase". I terminali sugli altoparlanti SoundWare sono codificati tramite colore per identificare i poli "+" (rosso) e "-" (nero). Tutti i cavi sono contrassegnati in un modo o nell'altro, in modo da poterli distinguere. L'indicazione può essere un rilievo nell'isolamento di un conduttore, oppure una riga sull'isolamento, oppure ancora un colore. Utilizzate l'indicazione sui cavi per essere certi che il terminale "+" dell'amplificatore sia connesso al terminale "+" dell'altoparlante e che "-" sia collegato a "-" in tutte le connessioni.

Collegare gli altoparlanti

Separate i due conduttori sul cavo. Rimuovete circa 1 cm dell'isolamento dall'estremità del cavo. Spingete sulla parte superiore del terminale per aprire un foro per il cavo. Inserite il cavo e rilasciate il terminale per fissarlo. Accertatevi che non ci siano fili laschi. **Nota:** è presente un canale nella parte posteriore dell'altoparlante per accomodare e nascondere il cavo per fili fino a 18 indicatore di livello.



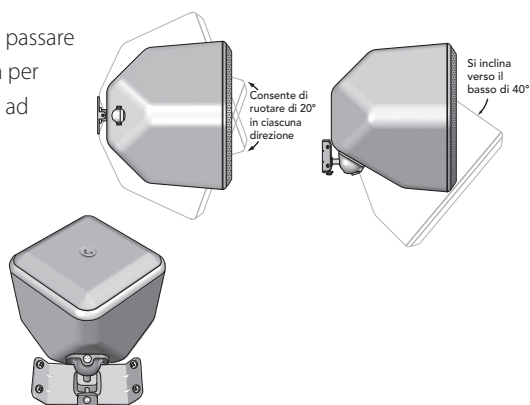
Montare gli altoparlanti

Una volta montata la staffa e collegato gli altoparlanti, il resto è facile.

- 1 Infilate l'estremità arrotondata del supporto dell'altoparlante nella staffa e fate scorrere fino a fissare in posizione.
- 2 Opzionale – Inserite e stringete le viti per fissare il tutto.
- 3 Far scattare il coperchio sopra il supporto.

Gli altoparlanti SoundWare si inclinano sulle staffe. In verticale possono passare dalla posizione dritta a un'inclinazione di 40°. Quando si utilizza la staffa per parete piatta, possono inclinarsi da un lato all'altro di 20° (nota: le staffe ad angolo non consentono di ruotare l'altoparlante da un lato all'altro).

Allentate la vite sulla parte frontale della placca girevole a sfera, ruotate l'altoparlante in posizione e riavvitare la vite.



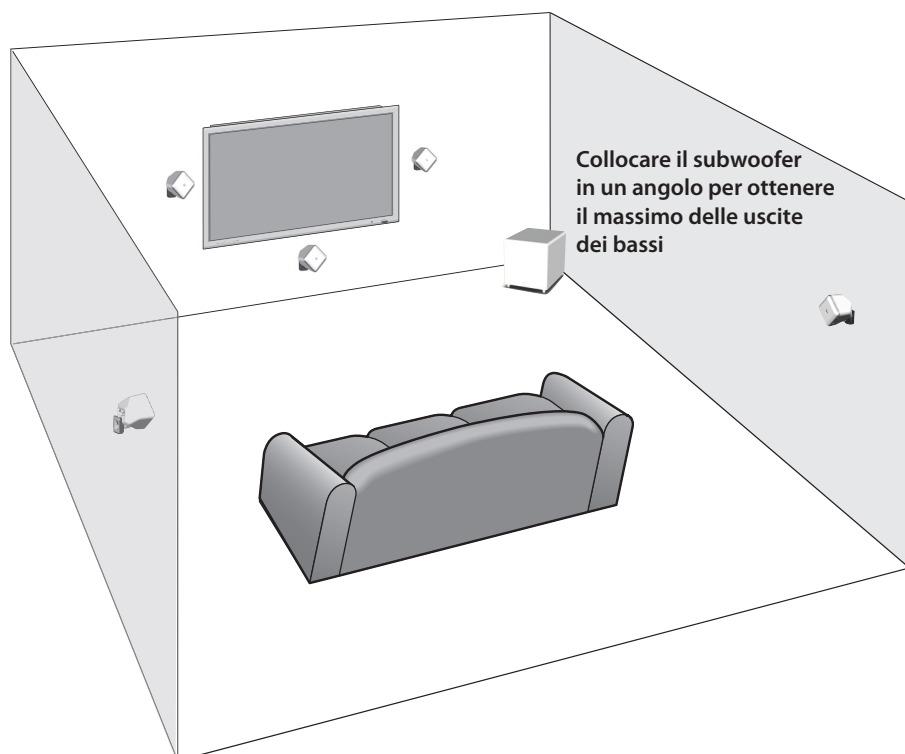
Il SoundWare altoparlanti possono anche essere montato utilizzando il supporto fornito angolo.

Opzioni di collocazione

Collocare il subwoofer vicino a un muro o in un angolo in prossimità degli altoparlanti principali. Solitamente, il suono è migliore quando il subwoofer si trova entro 4,5 m dagli altoparlanti. L'acuto rolloff del crossover a 24dB/ottava consente un collocamento ad una distanza maggiore dagli altoparlanti, se necessario. Poiché l'orecchio non è in grado di localizzare le basse frequenze del subwoofer, i bassi sembrano comunque giungere dagli altoparlanti principali. Sperimentare varie collocazioni è fondamentale, tuttavia la maggior parte delle posizioni nella stanza funzioneranno bene.

Il livello dell'uscita dei bassi dal subwoofer varierà in base alle diverse collocazioni all'interno della stanza. Quando viene collocato vicino alle pareti, la sua intensità sonora viene enfatizzata. Una posizione d'angolo offre il massimo delle uscite dei bassi. Collocarlo completamente staccato dal muro può produrre bassi troppo scarsi. Indipendentemente dal livello naturale dei bassi nella stanza, sarà sempre possibile regolare il livello del subwoofer tramite il comando volume incorporato. Se in qualsiasi momento si dovesse spostare il subwoofer, verificare nuovamente tutte le configurazioni.

IMPORTANTE: non collocare il subwoofer in un punto dove vi sia la possibilità di contatto tra il pannello posteriore e le tende o i mobili.



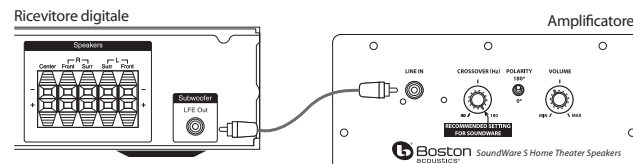
Collegamento del subwoofer

NOTA BENE: i dispositivi elettronici del subwoofer sono sempre alimentati, a meno che questo non sia scollegato dalla presa di rete o impostato su **off** tramite l'interruttore di alimentazione situato a livello del pannello posteriore. La circuiteria di attivazione automatica attiva o disattiva unicamente l'amplificatore di alimentazione. Al momento di effettuare le connessioni, assicurarsi che il subwoofer e il ricevitore siano scollegati.

Alimentazione: Al momento di collegare il subwoofer, assicurarsi di servirsi di una presa elettrica a parete o una presa elettrica specifica. Alcuni ricevitori forniscono una presa con interruttore. Evitarne l'uso. Questi tipi di presa elettrica non offrono la quantità di corrente o l'isolamento adatto richiesto da un amplificatore di corrente quale quello presente nel vostro amplificatore.

Selezionare "subwoofer-yes" dal menu di configurazione del ricevitore. Se il ricevitore dare una scelta di utilizzazione delle frequenze di crossover filtro 150Hz o 120Hz. Collegato in questa maniera, l'amplificatore del ricevitore è sollevato dal compito di riprodurre i difficili segnali bassi che potrebbero provocare una distorsione udibile a livello del ricevitore stesso. In taluni casi, ciò può anche dipendere da numerose altre configurazioni a livello del ricevitore. Per maggiori informazioni in merito, si raccomanda di consultare il manuale del ricevitore.

Servirsi del cavo del subwoofer come illustrato per collegare l'uscita LFE subwoofer del ricevitore digitale al subwoofer. Collegare l'altro capo all'ingresso LINE IN.



Regolazione del comando Crossover

Come punto di partenza, impostare il controllo di crossover del subwoofer a 180Hz. Affinare la regolazione del crossover a orecchio per ottenere la migliore miscela con gli altoparlanti principali. La migliore configurazione del comando crossover dipende dalla collocazione degli altoparlanti e dal gusto personale.

Funzionamento

Accensione/Auto

Collegare il cavo CA del subwoofer in una presa a muro. Non servirsi delle uscite sul retro del ricevitore. Impostare l'interruttore di alimentazione come desiderato.

OFF – Il subwoofer è spento e non produrrà alcun suono. Spegner il subwoofer se non si intende utilizzarlo per un certo tempo o se si desidera risparmiare elettricità.

ON – Il subwoofer è sempre acceso.

MUTE – Se non vengono individuati segnali, dopo alcuni minuti passerà automaticamente in modalità Mute.

Un indicatore LED tra l'interruttore **Power** e l'interruttore **Polarity** indica in quale modalità si trova il subwoofer.

OFF – Il subwoofer è spento

ROSSO – MUTE (Nessun segnale individuato, Amp Off)

VERDE – ON (Segnale individuato, Amp On)

Il subwoofer entrerà automaticamente in modalità Mute y se dopo diversi minuti non vengono individuati segnali dal sistema. Il subwoofer quindi si accenderà istantaneamente non appena individua un segnale.

Comando crossover

Regola la frequenza del filtro passa basso del subwoofer.

Comando volume

Girare il comando **Volume** del subwoofer sulle ore 11. Qualora non provenissero suoni dal subwoofer, verificare il cavo di rete

CA, l'interruttore di alimentazione **Power** e i cavi di ingresso. (I connettori a livello dei cavi fanno contatto bene? Il cavo CA di linea è collegato ad una presa sotto tensione? Il subwoofer è in posizione Auto o On?)

Regolare il comando **Volume** del subwoofer fino a quando l'altoparlante principale e il subwoofer non corrispondono. La risposta dei bassi non deve essere sovralimentata, bensì regolata in modo che ci sia una miscela naturale lungo l'intera gamma musicale.

Comando delle polarità

(0° o 180°): Seleziona la fase regolare (0°) o inversa (180°) per il subwoofer. Configurare questo interruttore in modo da fornire i bassi più pieni e dinamici. L'effetto di fase sarà soprattutto udibile a livello di strumenti a percussione a bassa frequenza o in caso di musica con una linea di basso che si ripete continuamente.

Manutenzione e servizi

Controllare, pulire o ridefinire tutte le connessioni cablate almeno una volta l'anno. Nel caso di problemi, assicurarsi che tutte le connessioni siano effettuate in modo corretto, sicuro e pulito. Nel caso di problemi rilevati in uno degli altoparlanti, ricollegare tale altoparlante in una posizione diversa all'interno del sistema. Nel caso in cui il problema persista, questo indicherà che il problema risiede nell'altoparlante stesso. Se l'altoparlante non presenta alcun difetto nella nuova posizione, questo indica che il problema risiede probabilmente nell'elettronica del sistema. Nel caso in cui il SoundWare necessiti di manutenzione, contattare il proprio rivenditore locale Boston Acoustics o visitare la pagina bostonacoustics.com per un elenco dei rivenditori nella propria zona. Se il subwoofer non funziona, verificare che tutti i connettori a livello dei cavi facciano contatto e che la spina CA sia collegata ad una presa sotto tensione.

Garanzia limitata

Boston Acoustics garantisce all'acquirente originale del sistema SoundWare che questo non presenta alcun difetto nei materiali e nella fattura per un periodo di 5 anni dalla data dell'acquisto. Il periodo di garanzia per i componenti elettrici del SoundWare è di 1 anno.

In fase di richiesta di assistenza, è di responsabilità dell'acquirente l'installazione e l'impiego del dispositivo in conformità con le istruzioni fornite, al fine di fornire un trasporto sicuro e protetto presso un rappresentante di assistenza autorizzato Boston Acoustics, nonché di presentare eventuali prove d'acquisto sotto forma di documento di vendita. La presente garanzia non include danni derivanti da abuso, cattivo uso, installazione non corretta, incidenti, spedizione o riparazioni/modifiche effettuate da personale non autorizzato da Boston Acoustics.

Questa garanzia è limitata al prodotto Boston Acoustics e non copre i danni di alcun dispositivo associato. Questa garanzia non copre i costi di rimozione o reinstallazione. Questa garanzia non è valida in mancanza del numero di serie del dispositivo. Questa garanzia fornisce all'utente diritti legali specifici e gli consente di fruire di altri diritti che variano da uno stato all'altro.

In caso di necessità di assistenza

Contattare il rivenditore presso il quale è stato acquistato il prodotto.

Per ulteriori informazioni, visitare il sito <http://www.bostona.eu/>

VIKTIG SÄKERHETSINFORMATION

Denna symbol på utrustningen visar faror som uppstår av farlig spänning.



Denna symbol på utrustningen visar att användaren bör läsa alla säkerhetsmeddelanden i användarhandboken.



Denna symbol på utrustningen visar dubbelisolering.



VARNING! För att minska risken för brand eller elektriska stötar bör utrustningen inte utsättas för regn eller fukt.



Denna symbol på utrustningen visar att utrustningen måste lämnas till en separat uppsamlingsanläggning för elavfall och inte slängas med hushållsavfallet.

- Läs igenom anvisningarna.
- Förvara anvisningarna på säker plats.
- Var uppmärksam på alla varningsmeddelanden.
- Följ alla anvisningar.
- Använd inte utrustningen i närheten av vatten.
- Rengör endast med hjälp av en torr trasa.
- Blockera inte eventuella ventilationsöppningar. Montera enheten i enlighet med tillverkarens anvisningar.
- Montera inte enheten nära värmekällor som element, spisar eller annan värmealstrande utrustning (inklusive förstärkare).
- Använd säkerhetskontakten Kontakten har två platta stift. En jordad kontakt har två stift och en tredje jordande pinne. Det breda stiftet eller den tredje pinnen förhindrar elektriska stötar. Kontakta en elektriker om kontakten inte passar i vägguttaget.
- Se till att nätkabeln inte är i vägen eller kommer i kläm, i synnerhet vid kontaktändar, skarvdon och utgångar från utrustningen.
- Använd endast tillbehör som rekommenderas av tillverkaren.
- Koppla ur utrustningen vid åskväder eller om den inte är tänkt att användas under en längre tid.
- Överlåt all service och reparation till kvalificerade servicetekniker. Service kan vara nödvändig om utrustningen har skadats, t.ex. om sladden eller kontakten är trasig; om vätska har spillts ut över eller föremål har fallit ned i utrustningen; om utrustningen har utsatts för regn, fukt, slag eller stötar eller inte fungerar normalt.
- Ha minst 50 mm luft runt främre och bakre delen och sidorna av utrustningen så att det ventileras ordentligt. Ventilationen ska inte blockeras genom att täcka över ventilationsöppningarna eller lägga föremål som tidningar, dukar, gardiner osv på eller runt utrustningen.
- Placera inte levande ljus eller andra föremål med öppen låga på utrustningen.
- Utrustningen får inte utsättas för dropp eller stänk. Inga föremål fyllda med vätska, t.ex. vaser, får ställas på utrustningen.
- Strömringången på baksidan av utrustningen eller kontakten i väggen måste vara åtkomliga för att strömmen ska kunna stängas av.
- För att helt koppla bort utrustningen från nätströmmen, dra ur strömkabeln från nätkontakten.
- Strömkabelns nätkontakt ska vara lätt att komma åt.

Specifikationer	XS Satellite	XS Subwoofer	S Satellite	S Subwoofer
Frekvensåtergivning:	150Hz – 20kHz	40Hz - 150Hz	132Hz – 20kHz	32Hz - 150Hz
Rekommenderad ström för förstärkaren:	10 – 100 watts	—	10 – 125 watts	—
Känslighet:	85dB [SPL/2.8v vid 1m]	—	87dB [SPL/2.8v vid 1m]	—
Nominell impedans:	8 ohm	—	8 ohm	—
Övergångsfrekvens:	5000Hz	60Hz - 180Hz 24dB/ oktav lågpass	4200Hz	60Hz - 180Hz 24dB/ oktav lågpass
Förstärkarens uteffekt:	—	100 watts RMS, (250 watt topp); BassTrac®-krets elimineras distorsion	—	200 watts RMS, (300watt topp); BassTrac®-krets elimineras distorsion
Bashögtalare:	2 ¹ / ₂ " (64mm)	8" (203mm)	3 ¹ / ₂ " (89mm)	10" (254mm) DCD
Diskanthögtalare:	1 ¹ / ₂ " (13mm)	—	3 ³ / ₄ " (19mm)	—
Mått: (H x B x D)	4 ⁵ / ₁₆ x 4 ¹ / ₂ x 3 ³ / ₄ " (108 x 113 x 94mm)	12 ¹ / ₄ x 11 ³ / ₁₆ x 15 ⁹ / ₁₆ " (310 x 284 x 395mm)	5 ¹ / ₂ x 5 ¹ / ₂ x 5 ¹¹ / ₁₆ " (138 x 138 x 143mm)	13 ³ / ₈ x 12 ⁷ / ₁₆ x 17 ³ / ₁₆ " (339 x 315 x 435mm)

Introduktion

Tack för att du köper ett högtalarsystem med flera kanaler från Boston Acoustics. Dessa högtalare har komponenter av hög kvalitet som ger det berömda Bostonljudet. SoundWare passar utmärkt att använda som en 5.1-kanallösning i hemmabio- eller musiksystem av hög kvalitet.

SoundWare högtalarsystemet ger enastående klart ljud i dialog, musik och effekter, och bas som fyller hela rummet från ett litet, smidigt paket. Kompakt drivplacering och kvalitet, och systemspecifk övergång garanterar en bred, enhetlig spridning som täcker rummet helt. Alla högtalare har också MagnaGuard® magnetskydd som garanterar att högtalarens magnetfält inte stör tv-bilden.

Packa upp systemet

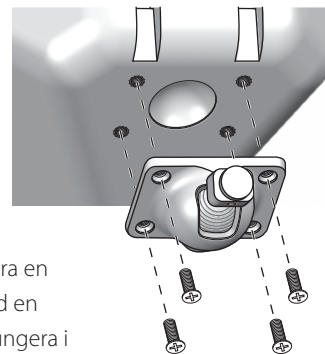
Packa försiktigt upp systemet. Vid tecken på transportskada, kontakta genast din återförsäljare och/eller fraktföretaget. Spara transportkartong och förpackningsmaterial för framtida bruk.

Placeringsalternativ

SoundWare-högtalaren kan monteras på väggen genom att använda de medföljande metallvarorna eller genom att helt enkelt placera den på en hylla. Om den placeras på en hylla, kan du helt enkelt fästa gummifötterna som är självhäftande på baksidan och ansluta högtalarkablarna.

Att sätta fast snurrhulets montering

Om du planerar att använda monteringsbyglarna, ska du fästa pivotkulan vid högtalaren. Använd de fyra medföljande skruvarna med platt huvud såsom visas i illustrationen.



Att montera väggbygeln

Byglar för att montera högtalarna på en platt väg eller i ett hörn medföljer. En sak som inte medföljer är metallvaror för att fästa bygeln vid väggen. Orsaken till detta är att det finns så många olika typer av ytor som högtalarna kan monteras på. Det kan till exempel vara en vanlig torr väg som kanske har ett stift bakom sig. Det kan vara en träpanel eller till och med en cementvägg. Det finns ingen typ av fästeanordning vi kan tillhandahålla som skulle kunna fungera i alla möjliga situationer. Därför ska du själv skaffa dig lämplig typ av fästeanordning enligt den yta som högtalaren ska monteras på. Du behöver fyra för varje högtalare. Om du inte är säker på vilken typ av fästeanordning du ska använda, ta med monteringsbygeln till din järnvaruaffär, beskriv väggen som du ska montera högtalaren på och be dem rekommendera en lämplig fästeanordning. Kom ihåg att ta hänsyn till högtalarnas vikt.

Högtalarladdar

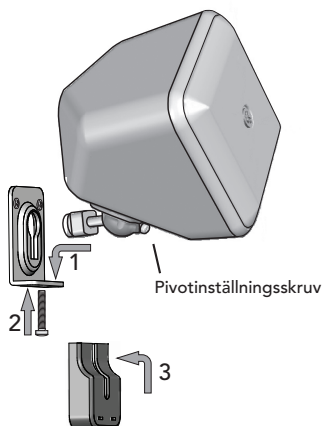
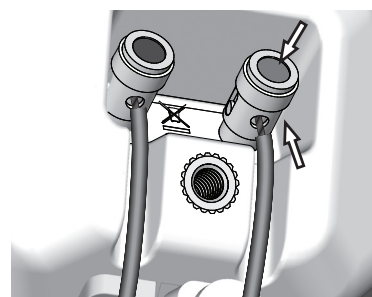
För mindre sträckor under 6 meter kan du använda en kabel med kaliber 18. För sträckor över 50 meter, ska du använda en kabel med värdet 16.

Högtalaranslutningens polaritet

Alla högtalare i ett system måste anslutas med samma polaritet eller vara "i fas". Terminalerna på högtalarna SoundWare är färgkodade för att identifiera anslutningarna "+" (röd) och "-" (svart). Alla kablar är markerade på något sätt så att du kan skilja ledningarna från varandra. Märkningen kan vara en upphöjd kant i isoleringen på en ledning eller det kan vara en rand på isoleringen eller en färgkodning. Använd märkningen på högtalarkablarna för att vara säker på att förstärkarterminalen "+" ansluts till högtalarens terminal "+" och att "-" alltid ansluts till "-" vid varje anslutning.

Att ansluta högtalarna

Separera de två ledningarna i kabeln. Avlägsna cirka tre millimeter av isoleringen från kabeländan. Tryck ned terminalen upptill för att öppna hålet för kabeln. Sätt i kabeln och frigör terminalen för att fästa den. Se till att det inte hänger lösa ledningar ut från kabeln. **Obs:** det finns en kanal på högtalarens baksida för att kabeln ska löpa osynligt och stödat bakom den. För kablar upp till 18 gauge.

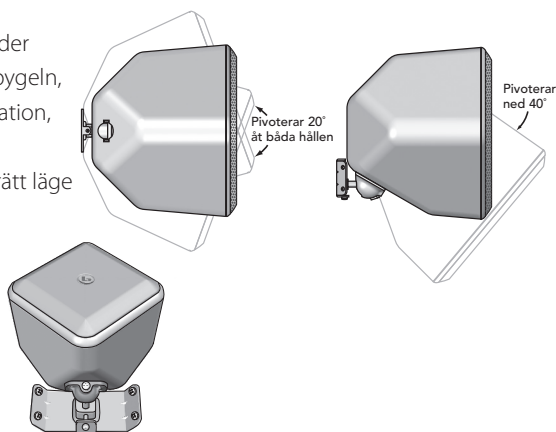


Att montera högtalarna

Efter att ha installerat bygeln och anslutit högtalaren är resten mycket lätt att utföra.

- 1 Ställ högtalarens avrundade ände i bygeln och låt den glida tills den blockeras.
- 2 Alternativt – Sätt i och dra åt skruven för att fästa anordningen.
- 3 Knäpp fast skalet över fästet.

SoundWare-högtalarna pivoter. De kan lutas nedåt vertikalt 40 grader från ursprungsläget. När du använder den platta väggmonteringsbygeln, kan de pivotera 20 grader från sida till sida. (Obs: vid en hörninstallation, går det inte att pivotera högtalaren från sida till sida.) Lossa på pivotinställningskruven framför pivotkulan, pivotera högtalaren i rätt läge och dra åt skruven.



Den SoundWare talare kan även monteras med hjälp av den medföljande hörnet fäste.

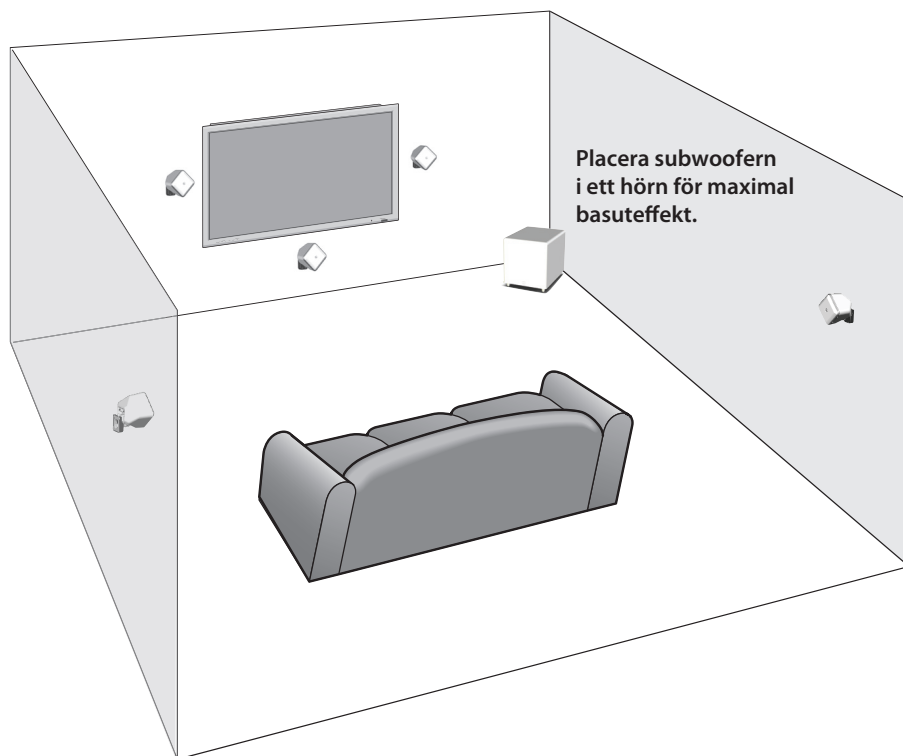
Placeringsalternativ

Placera subwoofern intill en vägg eller i ett hörn i närheten av huvudhögtalarna. Ljudet är normalt bäst när subwoofern befinner sig 4,5 m (15 fot) från huvudhögtalarna. Den skarpa 24dB/oktavers övergången gör att de kan placeras längre bort från huvudhögtalarna om det behövs. Eftersom örat inte kan lokalisera subwoofers låga frekvenser, verkar basen fortfarande komma från huvudhögtalarna. Experimentering är nyckeln men de flesta placeringar i rummet fungerar bra.

Uteffekten av basen från subwoofern varierar på olika platser i rummet. När den placeras intill väggar intensifieras ljudstyrkan. Placering i hörn ger den bästa basuteffekten.

Placering långt från väggar kan producera för lite bas. Oavsett den naturliga basnivån inom rummet, kan du alltid justera subwoofers nivå från den inbyggda volymkontrollen. Om du flyttar subwoofern ska du se till att kontrollera alla inställningar.

VIKTIGT: Placera inte subwoofern där det finns risk att bakpanelen kommer i kontakt med draperier/gardiner eller möbler.



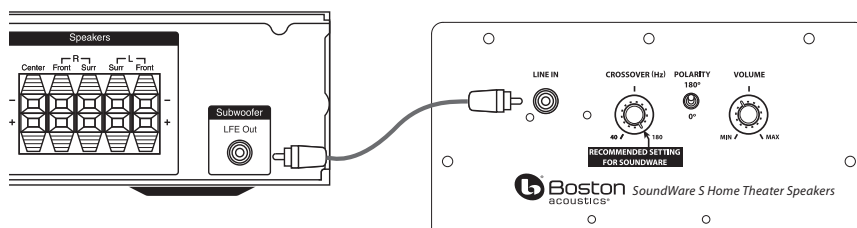
Ansluta subwoofer

OBS: Strömmen går alltid till subwoofern såvida den inte är frånkopplad eller ändras till läge **off** med strömbrytaren som finns på den bakre panelen. Auto-on-kretsen aktiverar eller inaktiverar endast strömförstärkaren. Se till att subwoofern och receivern är frånkopplade när du gör anslutningen.

Strömförsörjning: Använd ett vägguttag eller särskilt eluttag när du kopplar in subwoofern. En del receivers har ett uttag. Använd inte det. Dessa eluttag har inte den ström eller rätt isolering som krävs av en strömförstärkare, som den på din förstärkare.

Välj "subwoofer-yes" i receiverns inställningsmeny. Om mottagaren ger ett val av crossover filter frekvensanvändningen 150Hz eller 120Hz. När förstärkaren är ansluten på det här sättet behöver den inte återskapa de svåra låga bassignalerna som kan göra så att receivern får hörbar distorsion. I vissa fall kan det också bero på flera andra receiverinställningar. Vi rekommenderar att du tittar i receiverns handbok för att få mer hjälp med detta.

Använd subwooferkabeln, som på bilden, för att ansluta den digitala receiverns LFE-subwooferutgång till subwoofern. Anslut den andra änden till Line In-ingången.



Justera övergångskontrollen

Som utgångspunkt ställa in crossover kontroll på subwoofern till 180Hz. Finjustera övergångsinställningen för att få den mjukaste blandningen med huvudhögtalarna. Den bästa inställningen av övergångskontrollen beror på högtalarens placering och vad du själv föredrar.

Drift

Ström på/on/mute

Anslut subwoofers nätkabel till vägguttaget. Använd inte uttagen på baksidan av receivern. Ställ in strömbrytaren på önskad inställning.

OFF – Subwoofern är av och ger inget ljud. Du kanske vill stänga av subwoofern om du inte använder den på ett tag eller om du vill spara ström.

MUTE – Subwoofern slås på när den upptäcker en signal. Om ingen signal upptäcks på några minuter går den automatiskt in i muttläge.

ON – Subwoofern är alltid på.

En LED-lampa mellan **Power**-brytaren och **Polarity**-brytaren visar vilket läge subwoofern är i.

OFF – Subwoofern är av

RÖD – MUTE (ingen signal upptäckt, förstärkare av)

GRÖN – PÅ (Signal upptäckt, förstärkare på)

Subwoofern går automatiskt in i muttläge efter några minuter när ingen signal upptäcks från systemet. Subwoofern slås sedan PÅ så fort en signal upptäcks.

Övergångskontroll

Justerar frekvensen på subwoofers lågpassfilter.

Volymknappar

Vrid subwoofers **Volume**-kontroll till klockan 11-position. Om det inte kommer något ljud från subwoofern, kontrollera

nätkontakten, **ström**-brytaren och ingångskablarna. (Får kabelanslutarna ordentlig kontakt? Är nätkontakten ansluten till en "live"-mottagare, är subwoofern antingen i läge Auto eller På?)

Justera subwoofers **Volym**-kontroll tills du hör en matchning mellan huvudhögtalaren och subwoofern. Basresponsen bör inte överta rummet, utan justeras så att den blandas naturligt i hela musikomfånget.

Polaritetskontroll

(0° eller 180°): Väljer vanlig (0°) eller inverterad (180°) fas för subwoofern. Ställ in den här brytaren för att ge full, dynamisk bas. Fasens effekt blir mest hörbar med lågfrekventa truminstrument eller musik med en kontinuerlig basgång.

Underhåll och service

Alla ledningsanslutningar ska synas och rengöras eller förnyas minst en gång om året.

Om ett problem inträffar, kontrollera att alla anslutningar är rätt utförda, säkra och rena. Om ett problem inträffar i en högtalare, dra om denna högtalare till en annan plats i systemet. Om problem kvarstår, ligger felet hos högtalaren. Om högtalaren låter bra på den nya platsen, är detta en stark indikation på ett mer djupgående fel med elektroniken i systemet. Om din högtalare skulle behöva service, kontakta din lokala Boston Acoustics-återförsäljare eller gå till bostonacoustics.com för en lista över återförsäljare i ditt område.

Om subwoofern inte spelar upp, kontrollera att alla anslutare på kablarna får ordentlig kontakt och att nätkontakten är ansluten till en "live"-mottagare.

Begränsad garanti

Boston Acoustics garanterar originalköparen av vårt SoundWare system att de är fria från defekter vad beträffar material och utförande under en period av 5 år från inköpsdatumet. Garantiperioden för de elektriska komponenterna i SoundWare är 1 år.

Ditt ansvar är att installera och använda dem enligt den medföljande bruksanvisningen, att ombesörja en säker och varlig transport till en auktoriserad Boston Acoustics-servicerepresentant, och att framlägga bevis på inköpet i form av ditt inköpskvitto när du begär service. Undantag från denna garanti är skada som uppstått till följd av våld, felaktig användning, felaktig installation, olyckor, frakt eller reparationer/modifieringar som utförts av någon annan än en auktoriserad Boston Acoustics-servicerepresentant.

Denna garanti är begränsad till Boston Acoustics-produkten och omfattar ingen associerad utrustning. Denna garanti omfattar inte kostnader för avlägsnande eller ominstallation. Garantin upphävs om serienumret har utplånats eller förvanskats. Denna garanti ger dig specifika legala rättigheter, men du kan även ha andra rättigheter som varierar från delstat till delstat.

Om service tycks vara nödvändig

Kontakta den återförsäljare som du köpte produkten av. För mer information, besök <http://www.bostona.eu/>

WICHTIGE SICHERHEITSANWEISUNGEN



Dieses am Gerät angebrachte Symbol weist auf die Gefahren durch Stromspannung hin.



Dieses am Gerät angebrachte Symbol weist den Benutzer darauf hin, alle Sicherheitsanweisungen in diesem Handbuch genau durchzulesen.



Dieses am Gerät angebrachte Symbol weist auf Doppelisolierung hin.

Hausmüll entsorgt werden darf.

1. Lesen Sie diese Anweisungen durch.
2. Bewahren Sie diese Anweisungen auf.
3. Beachten Sie alle Warnungen.
4. Folgen Sie allen Anweisungen.
5. Verwenden Sie dieses Gerät nicht in der Nähe von Wasser.
6. Reinigen Sie es nur mit einem trockenen Tuch.
7. Blockieren Sie keine Ventilationsöffnungen. Nehmen Sie die Installation gemäß der Herstelleranweisungen vor.
8. Stellen Sie das Gerät nicht in die Nähe von Wärmequellen wie Heizkörper, Abluftgitter, Öfen oder anderen Apparaten (auch Verstärkern), die Hitze produzieren.
9. Beachten Sie die Sicherheitsrelevanz des Schukosteckers oder des gepolten Steckers. Ein gepolter Stecker verfügt über zwei flache Kontakte, einer breiter als der andere. Ein Schukostecker hat zwei flache Kontakte und einen dritten Kontaktstift. Der breitere Kontakt oder der dritte Kontaktstift dienen Ihrer Sicherheit. Wenn der mitgelieferte Stecker nicht in Ihre Steckdose passt, kontaktieren Sie einen Elektriker, um die veraltete Steckdose auszutauschen.
10. Achten Sie darauf, dass niemand auf das Netzkabel tritt und dass es nicht abgeklemt wird. Besonders zu beachtende Stellen sind hierbei jene am Stecker, an Steckerleisten und am Anschluss zum Gerät.
11. Verwenden Sie nur vom Hersteller spezifizierte Ersatzteile und Zubehör.
12. Sie sollten bei Gewittern oder während längerer Zeiträume, in denen das Gerät unbenutzt bleibt, den Netzstecker herausziehen.



WARNUNG! Um die Gefahr von Brand oder elektrischem Schock zu reduzieren, halten Sie dieses Gerät von Regen und Feuchtigkeit fern.



Dieses am Gerät angebrachte Symbol weist darauf hin, dass das Gerät bei einer Sammelstelle für Elektronikschrott abgegeben muss und nicht mit dem

13. Lassen Sie alle Reparatur- oder Wartungsarbeiten von qualifiziertem Servicepersonal durchführen. Wartungsarbeiten sind nötig, wenn das Gerät in einer der folgenden Weisen beschädigt wurde: Beschädigung des Netzkabels oder Netzsteckers, Flüssigkeit oder ein Fremdkörper ist in das Geräteinnere eingedrungen, das Gerät war Regen oder Nässe ausgesetzt, das Gerät arbeitet trotz Einhaltung der Bedienungsanweisung nicht ordnungsgemäß oder das Gerät ist heruntergefallen.
14. Halten Sie einen Mindestabstand von 50 mm (2") um die Vorder-, Rück- und Seitenteile des Geräts herum frei, um eine ausreichende Belüftung zu gewährleisten. Die Belüftung darf nicht durch ein Abdecken der Belüftungsöffnungen oder ein Platzieren von Zeitungen, Tischtüchern, Vorhängen usw. auf oder um das Gerät herum behindert werden.
15. Es sollten keine offenen Lichtquellen wie brennende Kerzen auf dem Gerät abgestellt werden.
16. Das Gerät sollte vor herabfallenden Tropfen oder Spritzern geschützt werden. Es sollten keine mit Flüssigkeit gefüllte Objekte wie z.B. Vasen auf dem Gerät abgestellt werden.
17. Es muss entweder die Stromversorgung an der Rückseite des Gerätes oder der Netzstecker zugänglich sein, damit das Gerät jederzeit von der Stromversorgung genommen werden kann.
18. Um dieses Gerät vollständig vom Netzstrom zu trennen, ziehen Sie den Netzstecker aus der Steckdose.
19. Der Netzstecker des Netzanchlusskabels muss leicht betriebsbereit bleiben.

Spezifikationen	XS Satellite	XS Subwoofer	S Satellite	S Subwoofer
Frequenzantwort:	150Hz – 20kHz	40Hz - 150Hz	132Hz – 20kHz	32Hz - 150Hz
Empfohlener Leistungsbereich Power Range:	10 – 100 watts	—	10 – 125 watts	—
Empfindlichkeit:	85dB [SPL/2.8v at 1m]	—	87dB [SPL/2.8v at 1m]	—
Nominalimpedanz:	8 ohms	—	8 ohms	—
Crossover-Frequenz:	5000Hz	60Hz - 180Hz 24dB/ octave lowpass	4200Hz	60Hz - 180Hz 24dB/ octave variable lowpass
Verstärkerausgang:	—	100 watts RMS, (250 watts Peak); BassTrac® circuitry eliminates distortion	—	200 watts RMS, (300 watts Peak); BassTrac® circuitry eliminates distortion
Wooder:	2 1/2" (64mm)	8" (203mm)	3 1/2" (89mm)	10" (254mm) DCD
Tweeter:	1/2" (13mm)	—	3/4" (19mm)	—
Abmessungen: (H x B x T)	4 ⁵ / ₁₆ x 4 ¹ / ₂ x 3 ³ / ₄ " (108 x 113 x 94mm)	12 ¹ / ₄ x 11 ³ / ₁₆ x 15 ⁹ / ₁₆ " (310 x 284 x 395mm)	5 ¹ / ₂ x 5 ¹ / ₂ x 5 ¹¹ / ₁₆ " (138 x 138 x 143mm)	13 ³ / ₈ x 12 ⁷ / ₁₆ x 17 ³ / ₁₆ " (339 x 315 x 435mm)

Einführung

Vielen Dank, dass Sie sich für ein Lautsprechersystem von Boston Acoustics entschieden haben. Diese Lautsprecher bestehen aus qualitativ hochwertigen Komponenten, die den berühmten Boston-Sound erzeugen. Das SoundWare System eignet sich hervorragend für den Einsatz als 5.1-Kanal-Lösung in einem Qualitäts-Heimkino oder -Musiksystem.

Das SoundWare Lautsprechersystem bietet außergewöhnlich gut verständliche Bildschirmanweisungen sowie Musik, Effekte und raumfüllenden Bass in einem formschönen, kleinen Gesamtpaket. Eine kompakte Treiberplatzierung und -qualität sowie systemspezifisches Crossover garantieren eine weiträumige, gleichförmige Klangverteilung und somit die komplette Abdeckung eines Hörraumes. Alle Lautsprecher verfügen darüberhinaus über MagnaGuard®-Magnetabschirmungen, die sicherstellen, dass die Magnetfelder der Lautsprecher keine Störungen im TV-Bild hervorrufen.

Auspacken des Systems

Packen Sie das System vorsichtig aus. Sollten Sie Anzeichen eines Transportschadens feststellen, wenden Sie sich unverzüglich an den Händler und/oder Lieferservice. Bewahren Sie den Frachtkarton und das Verpackungsmaterial zur späteren Wiederverwendung auf.

Platzierungsoptionen

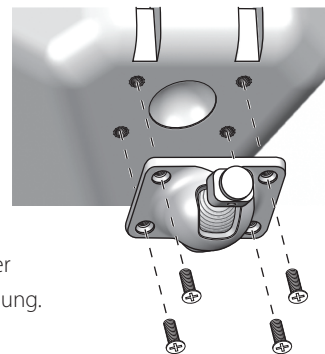
Der SoundWare Lautsprecher kann mit der mitgelieferten Halterung an der Wand montiert oder einfach in ein Regal gestellt werden. Bei Regalaufstellung bringen Sie einfach die selbstklebenden GummifüÙe an und schließen die Lautsprecherkabel an.

Montage der drehbaren Kugelhalterung

Wenn Sie die drehbare Kugelhalterung verwenden wollen, bringen Sie diese am Lautsprecher an. Verwenden Sie die mitgelieferten Flachkopfschrauben, wie es in der Abbildung zu sehen ist.

Anbringen der Wandhalterung

Die Halterungen für die Wandbefestigung der Lautsprecher werden mitgeliefert. Nicht mitgeliefert werden Schrauben bzw. Dübel, um die Halterung an der Wand zu befestigen. Warum nicht? Es gibt einfach zu viele Oberflächenarten, an denen die Lautsprecher befestigt werden können. Es kann eine Rigipsplatte mit oder ohne Hohlraum dahinter sein. Es kann eine Holzpaneele oder eine Betonwand sein. Es gibt keine Universalbefestigung, die allen möglichen Situationen gerecht würde. Besorgen Sie sich also bitte die für Ihren Fall erforderlichen Befestigungen. Sie benötigen vier Stück für jeden Lautsprecher. Falls Sie nicht sicher sind, welche Art Befestigung Sie verwenden sollten, beschreiben Sie dem Verkäufer die Wand, an der die Lautsprecher befestigt werden sollen und bitten Sie ihn um eine Empfehlung. Berücksichtigen Sie das Gewicht der Lautsprecher.



Lautsprecherkabel

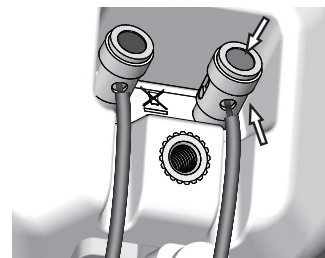
Für kurze Kabellängen unter 20 Fuß können Sie 18-Gauge-Kabel benutzen. Für Längen über 50 Fuß sollte 16-Gauge-Kabel zum Einsatz kommen.

Lautsprecherpolarität

Alle Lautsprecher eines Systems müssen mit derselben Polarität angeschlossen werden, „in Phase“. Die Anschlüsse der SoundWare Lautsprecher sind farblich codiert, um den Pluspol (+ = rot) und den Minuspol (- = schwarz) identifizieren zu können. Auch die Kabel sind auf die eine oder andere Art markiert, so dass Sie plus und minus unterscheiden können. Die Markierung kann in einer Asymmetrie einer der Leitungsisolationen bestehen oder es kann sich ein Streifen auf der Isolation befinden, auch Farbcodierungen werden verwendet. Stellen Sie anhand der Markierung sicher, dass der Plus-Ausgang des Verstärkers mit dem Plus-Anschluss des Lautsprechers verbunden wird und der entsprechende Minus-Ausgang mit dem Minus-Anschluss.

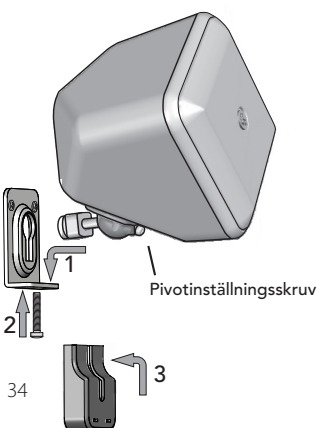
Lautsprecheranschluss

Trenne Sie die beiden Leitungen des Kabels ein Stück weit auf. Entfernen Sie ca 3/8" der Isolierung beider Kabelenden. Drücken Sie den Kopf des Lautsprecheranschlusses nach innen, um das Kabelloch zu öffnen. Führen Sie das Kabel ein und lassen Sie den Kopf wieder los. Das Kabel ist nun gesichert. Achten Sie darauf, dass keine losen Drähte des Kabels vorhanden sind. **Hinweis.** Es gibt einen Kabelkanal an der Rückseite des Lautsprechers, um das Kabel exakt zu führen und zu verbergen. Für Leitungen bis zu 18 gauge.



Anbringen der Lautsprecher

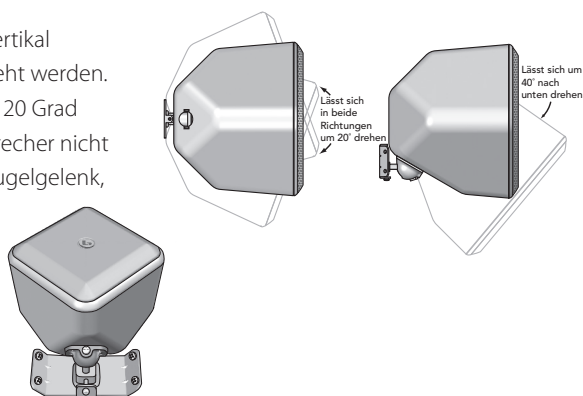
Wenn die Halterung an der Wand befestigt und der Lautsprecher angeschlossen ist, ist



der Rest ganz einfach.

- 1 Stecken Sie das runde Ende der Lautsprecherbefestigung in die Halterung und schieben Sie es nach unten, bis es einrastet.
- 2 Optional – Drehen Sie die Schraube ein und ziehen Sie sie fest, um das Ganze zu sichern.
- 3 Lassen Sie den Deckel über der Halterung.

Die SoundWare Lautsprecher drehen sich in ihren Halterungen. Vertikal können sie von parallel zur Wand bis zu 40 Grad nach unten gedreht werden. Wenn die Wandhalterung verwendet wird, können sie seitlich um 20 Grad gedreht werden. (Hinweis: Bei Eckbefestigung können die Lautsprecher nicht seitlich gedreht werden.) Lösen Sie die Sicherungsschraube am Kugelgelenk, positionieren Sie den Lautsprecher und ziehen Sie die Schraube wieder fest.



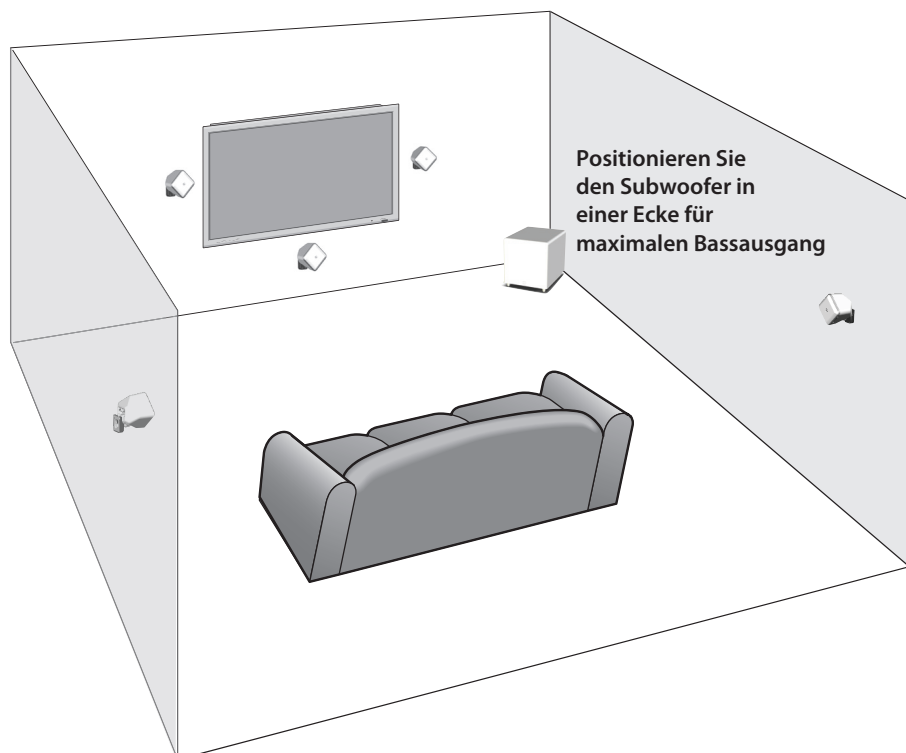
Die Lautsprecher können auch SoundWare montiert werden mit der mitgelieferten Halterung Ecke.

Aufstellungsoptionen

Stellen Sie den Subwoofer neben eine Wand oder in eine Ecke in der Nähe Ihrer Hauptlautsprecher. Der Klang ist für gewöhnlich dann am besten, wenn der Subwoofer sich innerhalb eines 15-Feet (4,5 m)-Radius um die Hauptlautsprecher befindet. Durch den gestochen scharfen Crossover Roll-Off mit 24 dB/Oktave kann das Gerät wenn nötig auch weiter entfernt von den Hauptlautsprechern aufgestellt werden. Da das menschliche Ohr die niedrigen Frequenzen des Subwoofers nicht zuordnen kann, hört es sich trotzdem so an, als würde der Bass aus den Hauptlautsprechern kommen. Probieren Sie es am besten aus, die meisten Positionen im Raum werden gut funktionieren.

Das Niveau des Bassausgangs des Subwoofers variiert je nachdem, an welcher Stelle im Raum man ihn aufstellt. Wird er nahe einer Wand positioniert, wird die Lautstärke betont. Ein Aufstellen in der Ecke bietet den höchsten Bassausgang. Wird er ganz von der Wand weg gestellt, wird eventuell zu wenig Bass erzeugt. Ungeachtet des natürlichen Bass-Niveaus innerhalb des Raums haben Sie immer die Möglichkeit, den Subwoofer mit Hilfe der eingebauten Lautstärkekontrolle einzustellen. Sollten Sie den Subwoofer einmal von seinem angestammten Platz wegbewegen, überprüfen Sie alle Einstellungen.

WICHTIG: Stellen Sie den Subwoofer nie so auf, dass die Möglichkeit eines Kontakts zwischen dem hinteren Panel und Vorhängen oder Möbeln besteht.



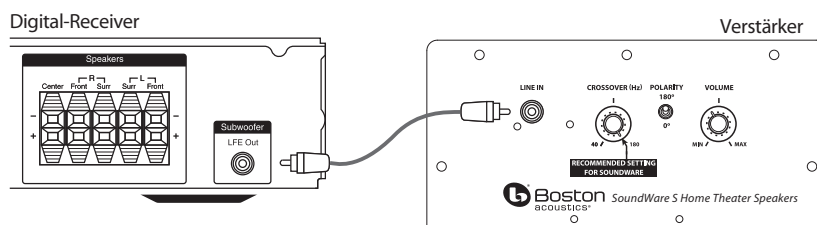
Subwoofer-Verkabelung

HINWEIS: Die Elektronik des Subwoofers wird immer mit Strom versorgt, wenn er nicht ausgesteckt ist oder der Netzschalter an der Rückseite auf **off** gestellt ist. Die auto/ein-Schaltung aktiviert und deaktiviert lediglich den Leistungsverstärker. Stellen Sie sicher, dass die Stecker Ihres Subwoofers und Receivers gezogen sind, wenn Sie die Anschlüsse verbinden.

Strom: Sie sollten den Subwoofer immer in eine Wandsteckdose oder eine dedizierte Steckdose einstecken. Einige Receiver verfügen über eine Schaltersteckdose. Diese sollten Sie nicht verwenden. Diese geräteeigenen Steckdosen bieten nicht genügend Spannung oder ordentliche Isolierung für Endstufe, wie sie in ihrem Verstärker vorhanden ist.

Wählen Sie im Setup-Menü Ihres Receivers die Einstellung "subwoofer-yes" aus. Wenn der Empfänger eine Wahl der Crossover-Filter der Nutzung der Frequenzen 150Hz oder 120Hz. Auf diese Weise angeschlossen muss der Verstärker des Receivers die schwierigen tiefen Basssignale nicht mehr wiedergeben, die zu hörbaren Verzerrungen führen können. In einigen Fällen kann dies auch von verschiedenen anderen Einstellungen eines Receivers abhängen. Wir empfehlen Ihnen für weitere Informationen und Hilfestellungen das Handbuch Ihres Receivers zu Rate zu ziehen.

Verwenden Sie das Subwoofer-Kabel wie abgebildet, um den LFE-Subwoofer-Ausgang Ihres Digitalreceivers an den Subwoofer anzuschließen. Schließen Sie das andere Ende an den Line In-Eingang an.



Einstellung des Crossover-Reglers

Als Ausgangspunkt, den Crossover-Kontrolle über die Subwoofer auf 180Hz. Nehmen Sie die Feineinstellung des Crossovers nach Gehör vor, um eine optimale Mischung mit Ihren Hauptlautsprechern zu erzielen. Die beste Einstellung des Crossover-Reglers hängt von der Platzierung der Lautsprecher und Ihren persönlichen Vorlieben ab.

Betrieb

Power On/Off

Stecken Sie das Netzkabel Ihres Subwoofers in eine Wandsteckdose. Verwenden Sie nicht die Steckdosen auf der Rückseite des Receivers. Stellen Sie den Netzschalter auf die gewünschte Einstellung.

OFF – Der Subwoofer ist ausgeschaltet und erzeugt keinen Ton. Wenn Sie den Subwoofer einige Zeit nicht verwenden oder Strom sparen möchten, können Sie ihn ausschalten.

ON – Der Subwoofer ist immer eingeschaltet.

MUTE – Der Subwoofer schaltet sich von selbst ein, sobald ein Signal empfangen wird.

Eine LED-Leuchte zwischen dem **Power**-Schalter und dem **Polarity**-Schalter zeigt den Modus des Subwoofers an.

OFF – Der Subwoofer ist ausgeschaltet

ROT – MUTE (Kein Signal wird empfangen, Amp AUS)

GRÜN – ON (Signal wird empfangen, Amp EIN)

Der Subwoofer schaltet automatisch in den Mute-Modus, wenn er mehrere Minuten lang kein Signal vom System erhalten hat. Der Subwoofer schaltet sich dann sofort EIN, wenn ein Signal empfangen wird.

Crossover-Regler

Regelt die Frequenz des Tiefpasses für den Subwoofer.

Lautstärkeregler

Stellen Sie den **Volume**-Schalter des Subwoofers auf die 11-Uhr-Position ein. Wenn Sie nichts vom Subwoofer hören, überprüfen Sie das Netzkabel, den **Power**-Schalter und die Eingangskabel. (Haben die Verbindungen an den Kabeln ordentlichen Kontakt? Ist das Netzkabel mit einer funktionierenden Steckdose verbunden und ist der Subwoofer auf die AUTO- oder ON-Position eingestellt?)

Drehen Sie am **Volume**-Regler des Subwoofers, bis Sie eine Übereinstimmung zwischen dem Hauptlautsprecher und dem Subwoofer hören. Die Bass-Response sollte den Raum nicht überböten, sondern eher so eingestellt sein, dass eine natürliche Vermischung quer durch die gesamte musikalische Bandbreite besteht.

Polaritätsregler

(0° oder 180°): Wählt die reguläre (0°) oder invertierte (180°) Phase für den Subwoofer aus. Stellen Sie diesen Schalter so ein, dass der vollste, dynamischste Bass ertönt. Der Effekt dieser Phase ist bei Percussion-Instrumenten mit niedriger Frequenz oder Musik mit einer sich ständig wiederholenden Bassline am deutlichsten zu hören.

Wartung und Kundendienst

Alle Kabelverbindungen sollten wenigstens einmal im Jahr inspiziert und gereinigt oder erneuert werden.

Falls ein Problem auftritt, überprüfen Sie, ob alle Kabel angeschlossen sind. Falls ein Problem mit einem Lautsprecher auftritt, verkabeln Sie ihn an einem anderen Standort innerhalb des Systems. Sollte das Problem fortbestehen, liegt es am Lautsprecher. Funktioniert der Lautsprecher am neuen Standort einwandfrei, so ist dies ein Anzeichen für ein tieferes Problem mit der Elektronik des Systems. Für den Fall, dass Ihr SoundWare eine Wartung benötigen, wenden Sie sich an ihren örtlichen Boston Acoustics Händler oder besuchen Sie bostonacoustics.com, wo sie eine Liste von Händlern in Ihrer Nähe finden. Wenn Ihr Subwoofer gar nicht funktioniert, stellen Sie sicher, dass alle Verbindungen der Kabel ordnungsgemäßen Kontakt haben und dass das Netzkabel in eine funktionierende Steckdose eingesteckt ist.

Eingeschränkte Garantie

Boston Acoustics garantiert dem Erstkäufer unseres SoundWare Systems für einen Zeitraum von 5 Jahren ab Kaufdatum, dass dessen mechanische Teile frei sind von Materialfehlern und Verarbeitungsmängeln. Die Garantiedauer für die elektrischen Komponenten des SoundWare beträgt 1 Jahr.

Ihre Verantwortung besteht darin, sie entsprechend der beigefügten Anleitung zu installieren und zu betreiben, sie sicher bei einer autorisierten Boston Acoustics Service-Vertretung anzuliefern und den Kauf durch Vorlage des Verkaufsbelegs nachzuweisen, falls Garantieleistungen in Anspruch genommen werden.

Von dieser Garantie ausgeschlossen sind Schäden, die auf Missbrauch, unsachgemäße Installation, Unfall, Fracht oder Reparaturen/Modifikationen zurückzuführen sind, die von jemand anderem als einer autorisierten Boston Acoustics Service-Vertretung durchgeführt wurden.

Diese Garantie ist auf das Boston Acoustics Produkt beschränkt und erstreckt sich nicht auf etwaige damit verbundene Anlagen. Diese Garantie erstreckt sich nicht auf die Kosten für Entfernung oder Neuinstallation. Diese Garantie ist verwirkt, falls die Seriennummer entfernt oder unleserlich ist. Diese Garantie räumt Ihnen besondere Rechte ein und Sie haben unter Umständen weitere Rechte, die von Staat zu Staat variieren.

Falls ein Kundendienst notwendig erscheint:

Kontakt mit dem Händler auf, bei dem Sie das Produkt gekauft haben. Für weitere Informationen, besuchen Sie bitte <http://www.bostona.eu/>



For EU Customers Only

This symbol found on the product indicates that the product must not be disposed of with household waste. Instead, it may be placed in a separate collection facility for electronic waste or returned to a retailer when purchasing similar product. The producer paid to recycle this product. Doing this contributes to reuse and recycling, minimizes adverse effects on the environment and human health and avoids any fines for incorrect disposal.

Sólo para clientes de la UE

Este símbolo que aparece en el producto indica que éste no debe ser eliminado con los residuos domiciliarios. En vez de ello debe colocarse en un punto de recogida especial para desechos electrónicos o ser devuelto a un comercio minorista cuando compre un producto similar. El fabricante ha pagado para reciclar este producto. Al hacerlo contribuye a la reutilización y el reciclado, minimiza los efectos adversos sobre el medioambiente y la salud humana, y evita cualquier multa por una eliminación incorrecta.

Uniquement pour les clients des États-Unis

Ce symbole placé sur l'appareil indique que celui-ci ne doit pas être éliminé dans les ordures ménagères. Il doit plutôt être recyclé séparément dans un centre de collecte d'appareils électroniques, ou retourné au détaillant lors de l'achat d'un appareil similaire. Le fabricant est rémunéré pour le recyclage de ce produit. Une telle pratique contribue à la réutilisation et au recyclage de composants réduisant ainsi les effets néfastes pour l'environnement et la santé humaine et à éviter des amendes prévues pour une élimination incorrecte.

Solo per i clienti dell'UE

Questo simbolo sull'apparecchio indica che lo stesso non può essere trattato come rifiuto domestico ma deve essere smaltito separatamente in un contenitore apposito per rifiuti di apparecchiature elettriche ed elettroniche (RAEE) o deve essere restituito al venditore quando viene acquistato un prodotto nuovo dello stesso tipo. Il produttore ha pagato per lo smaltimento di questo prodotto; ciò contribuisce al riutilizzo e al riciclaggio dello stesso, riducendo al minimo gli effetti dannosi sull'ambiente e sulla salute delle persone, e inoltre evita sanzioni dovute ad un errato smaltimento.

För kunder inom EU

Den här symbolen på produkten upplyser om att produkten inte får kasseras tillsammans med hushållsavfall. Istället får den placeras i ett separat kärl för elektroniskt avfall eller returneras till återförsäljaren i samband med inköp av en likadan produkt. Fabrikanten har betalat för återvinning av denna produkt. Detta bidrar till återanvändning och återvinning, minskar allvarlig inverkan på miljön och människors hälsa, samt förhindrar böter för felaktig avfallshantering.

Nur für Kunden in der EU

Dieses Symbol auf dem Produkt gibt an, dass das Produkt nicht mit dem Hausmüll entsorgt werden darf. Es muss bei einer besonderen Sammelstelle für Elektromüll entsorgt oder beim Kauf eines ähnlichen Produkts an den Händler zurückgegeben werden. Der Hersteller hat für die Wiederverwertung dieses Produkts bezahlt. Dies trägt zu Wiederverwendung und Rückgewinnung von Rohstoffen bei, verringert ungünstige Folgen für Umwelt und Gesundheit und vermeidet Geldbußen für unsachgemäße Entsorgung.



300 Jubilee Drive, Peabody, MA 01960 USA
www.bostonacoustics.com

© 2011 Boston Acoustics, Inc. Boston, Boston Acoustics, B/A ellipse symbol, BassTrac, and MagnaGuard are registered of Boston Acoustics, Inc. Dolby Digital and Dolby Pro Logic are registered trademarks of Dolby Laboratories. Specifications are subject to change without notice. 142-004141-0