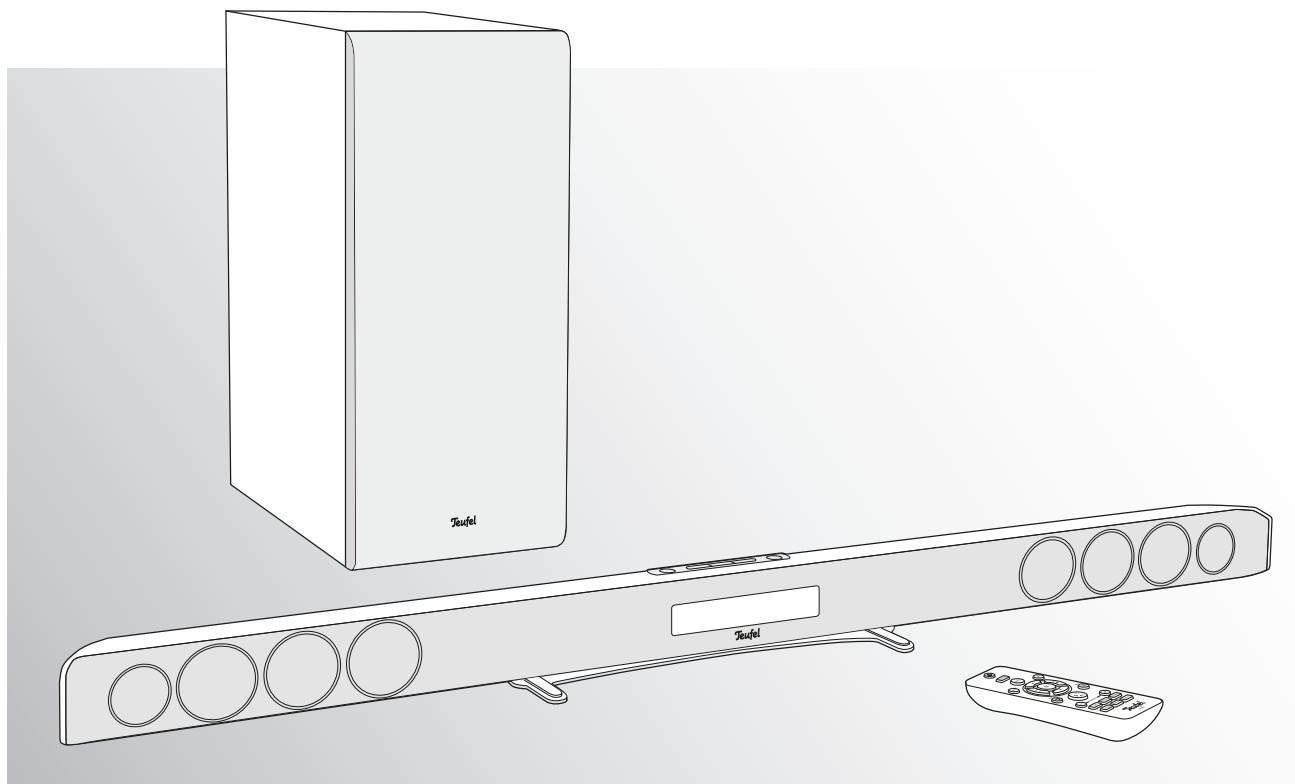


Technical Description and Operating Instructions



Cinebar 11

2.1 Soundbar with active Subwoofer

Teufel

Inhalt

General notes and information	3	Connection example	10
Notice	3	Remote control	11
Original packaging.....	3	Inserting / replacing battery	11
Trademarks	3	Basic functions	12
Complaints.....	3	Activating and deactivating.....	12
Contact.....	3	Connecting the subwoofer and Cinebar 11	12
Proper use	3	Selecting a source.....	12
Safety notes	4	Menu and settings	14
Caution icons.....	4	The menu	14
Safety notes.....	4	Care and cleaning	15
Overview	6	Protecting the environment	15
Product contents.....	6	Batteries and rechargeable batteries	15
Check the product contents.....	6	Disposing the unit	15
Control elements and connections	7	Technical data	15
Setup/wall mounting	9	Troubleshooting	16
Setup location	9		
Wall mounting.....	9		

General notes and information

Notice

The information in this document may change without prior notice and in no way constitutes any liability on the part of Lautsprecher Teufel GmbH.

No part of these instructions may be reproduced in any form or be broadcasted in any way electronically, mechanically, by photocopy or recording without the written permission of Lautsprecher Teufel GmbH.

© Lautsprecher Teufel GmbH
Version 1.0
September 2013

Original packaging

If you wish to exercise your eight-week right of return, we ask that you be absolutely sure to hold onto the packaging. We can only accept the return of the device with ORIGINAL-PACKAGING.

Empty boxes are not available!

Trademarks

© All trademarks are the property of their respective owners.



Manufactured under license from Dolby Laboratories. Dolby and the double-D symbol are trademarks of Dolby Laboratories.



Digital Surround

For DTS patents, see <http://patents.dts.com>. Manufactured under license from DTS Licensing Limited. DTS, the Symbol, & DTS and the Symbol together are registered trademarks, and DTS Digital Surround is a trademark of DTS, Inc. © DTS, Inc. All Rights Reserved.



This item's HDMI and High-Definition Multimedia Interface, and the HDMI logo are trademarks or registered trademarks of HDMI Licensing LLC in the United States and other countries.

Complaints

In case of complaint we will need the following information to process your enquiry:

1. Invoice Number

Can be found on the sales slip (enclosed with the product) or on the order confirmation received as a PDF document, e.g. 4322543.

2. Serial number or batch number

Located on the back side of the unit, e.g. serial #: IL30009440122A-123

Many thanks for your support!

Contact

For questions, suggestions or criticism please contact our customer service department:

Lautsprecher Teufel GmbH

Gewerbehof Buelowbogen

Buelowstrasse 66

10783 Berlin (Germany)

Phone 00800 - 200 300 40 (free of charge)

Fax +49 (0)30 / 300 930 930

E-mail: service@teufelaudio.com

www.teufelaudio.com

Proper use

The speaker set is designed for audio signal playback. Use the unit only as described in these operating instructions. Any other use will be deemed as not in accordance with the instructions and may lead to damage of property or even persons.

The manufacturer accepts no liability for damage caused by use not in accordance with the instructions.

The unit is intended for private use.



Before operating the unit for the first time please read the safety notes and operating instructions carefully. This is the only way to use all functions safely and reliably.

Keep the operating instructions safe and pass them on to anyone who may own the unit after you.

Safety notes

Caution icons

You will find the following caution icons in these instructions:



Danger! Indicates a hazardous situation which, if not avoided, will result in death or serious injury.



Warning! Indicates a hazardous situation which, if not avoided, could result in death or serious injury.



Caution! Indicates a hazardous situation which, if not avoided, may result in minor or moderate injury.



These notes provide useful additional information for the assembly or operation.

Safety notes



Risk of electric shock!

Faulty installation of electrical equipment or mains voltage which is too high can cause electric shocks.

- The device is only suitable for use with a power supply voltage of 220V–240V ~ / 50 Hz. Make sure that the mains voltage is correct. For more information, refer to the nameplate.
- Use only the supplied mains adapter.
- Check the unit regularly for damage. If the unit's case or mains cable is defective or shows other signs of visible damage, disconnect the power plug / mains adapter immediately from the socket and do not operate the device.
- This device is disconnected from the mains by unplugging the power cord. Therefore, ensure that the plug is accessible at all times.
- Immediately disconnect the AC adapter plug and discontinue using the device if the device emits smoke, you notice burning odour, unusual noises, if the case or the mains adapter is defective or exhibits visible damages.
- If the unit emits smoke or smells of burning or other unusual odours, disconnect it immediately from the power supply and do not operate it.
- Place the device so that no ventilation holes are blocked.
- The standby button does not disconnect the unit from the power supply. For this reason, connect it to an easily accessible socket so that you can

quickly disconnect it from the power supply in the event of faults.

- Never open the unit's housing. Repairs may only be carried out by an authorised specialist workshop. Only parts which conform with the original unit specifications may be used in this case. There are electrical and mechanical parts in this unit which are necessary in order to avoid exposure to sources of danger.
- Use only accessories specified by the manufacturer.
- Do not insert any objects through the vent slots in the housing.
- Only use the unit in indoor areas.
- Do not operate the unit in damp areas and protect it from drops of water or splash water. Also take care not to stand vases or other containers filled with liquid on or near the speaker in order to avoid liquid getting into the case. If water or other foreign objects penetrate the case, immediately disconnect the power plug and if applicable, remove any batteries. Send the unit to our service address in this case.
- Never touch the power plug / mains adapter with damp hands.



Fire hazard!

Improper use may lead to damage or fire.

- Do not place open flames such as burning candles or similar on the unit.
- Ensure sufficient ventilation.
- Do not place the unit in direct sunlight.
- Only use the unit in indoor areas.
- Do not operate the unit in moist areas and protect it from drops of water and splash water. Also take care not to stand vases or other containers filled with liquid on or near the unit in order to avoid liquid getting into the housing.



Danger to hearing

Extended listening at high volumes may lead to hearing loss.

- To avoid damage to health, avoid extended listening at high volumes.
- When the volume is set high, always keep a certain distance from the unit and never place your ear directly on the speaker.
- Particularly when the subwoofer has been set to maximum volume and the unit is activated, very high noise pressure may suddenly be produced. This may have psychological consequences and also cause physical injury. Children and pets are particularly at risk. Set your signal source unit volume control to a low setting before turning on the power.



Danger of chemical burns!

Leaking battery acid may lead to chemical burns.

- Do not allow battery acid to come into contact with skin, eyes or mucus membranes. In case of contact with acid rinse the affected part immediately with plenty of plain water and if necessary see a doctor.



Danger to children!

Children can become trapped in the packing film when playing and suffocate.

- Do not allow children to play with the unit or the packing film. Danger of suffocation.
- Ensure that children do not remove small parts from the unit or take them off of the unit (e.g. control knobs or plug adapters). They could swallow the parts and choke. Never allow children to operate electrical devices unsupervised.



Risk of injury

An unstable base may cause the unit to tip and injure or even kill persons, children are particularly at risk. You can prevent many accidents by taking the following precautions.

- Only place the subwoofer on the floor.
- If you want to use underframes or speaker stands, only use those recommended by the manufacturer.
- When storing the product, also ensure that it stands safely and that it cannot be knocked down or over.



Danger of injury/damage!

Incorrect location may result in damage.

- Never use the unit unmounted in vehicles, in unstable locations, on wobbly stands or furniture, on underdimensioned brackets etc. The speakers could tip or fall down and cause injury to persons or be damaged.
- Place the speakers in such a way that they cannot be knocked over unseen and make sure that the cables do not pose a trip hazard.
- Carefully follow the installation instructions.
- If mounting the speakers on the wall, make sure that the job is carried out by a professional.
- Only use suitable wall holders to mount the speakers. Verify the carrying capacity of the walls.
- Do not place the unit near sources of heat (e.g. heaters, ovens, other heat generating equipment such as amplifiers etc.).



Risk of damage!

External influences may damage or destroy the device.

- If the unit is to be left unsupervised for a long period (e.g. during a holiday), or if a thunderstorm is forecast, disconnect the mains plug from the power socket. Otherwise, a sudden overvoltage may cause a defect.
- Leaked batteries may damage the remote control.
In case of prolonged absence, remove any batteries from the remote control.
- If the device is subjected to warm temperatures after being cold (e.g. after transport), condensation may occur inside of it. In this case, wait at least 2 hours before you connect and activate it.



Danger of explosion!

Batteries (particularly lithium batteries) can explode if used improperly.

- Never attempt to recharge batteries.
- Only use batteries of the same or equivalent type.
- Do not heat or short circuit batteries or rechargeable batteries and do not dispose them in fire.
- Do not expose batteries and storage batteries to direct sunlight.

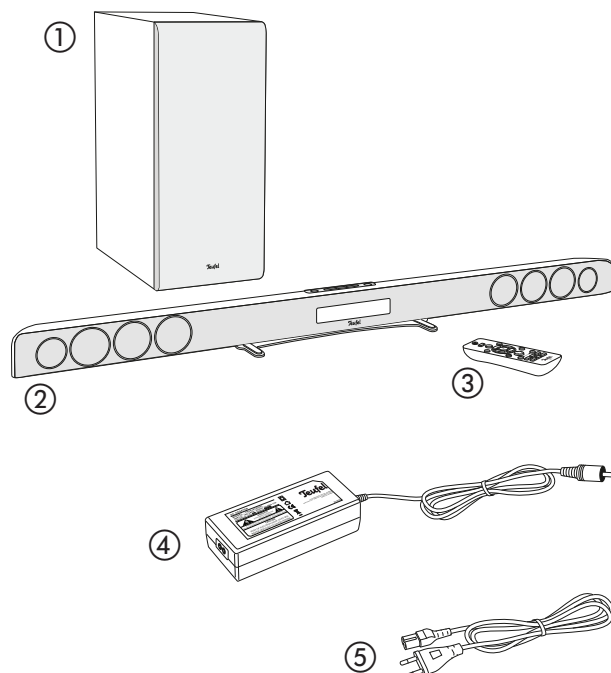
Overview

Product contents

- ① 1x Subwoofer CB 11 SB
- ② 1x Cinebar 11
- ③ 1x remote control CB 11 RC
- ④ 1x mains adapter für Cinebar 11
- ⑤ 2x power cords for for mains adapter ④ und subwoofer ①

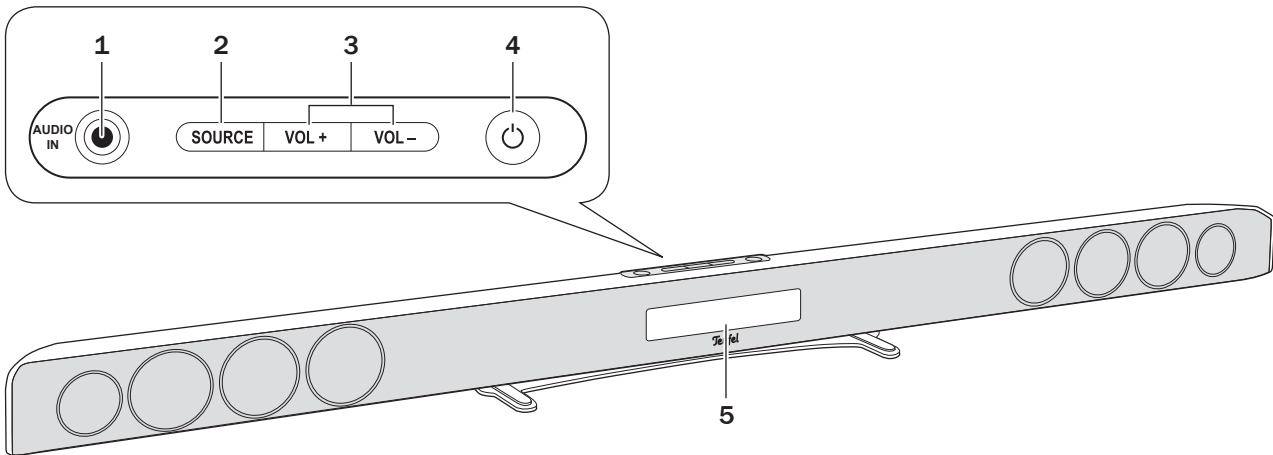
Check the product contents

- Check that all items have been delivered and that nothing is damaged.
- If the delivery is incomplete or you find damage sustained in transit, please contact our service department (see page 3).
- Never operate a damaged unit.



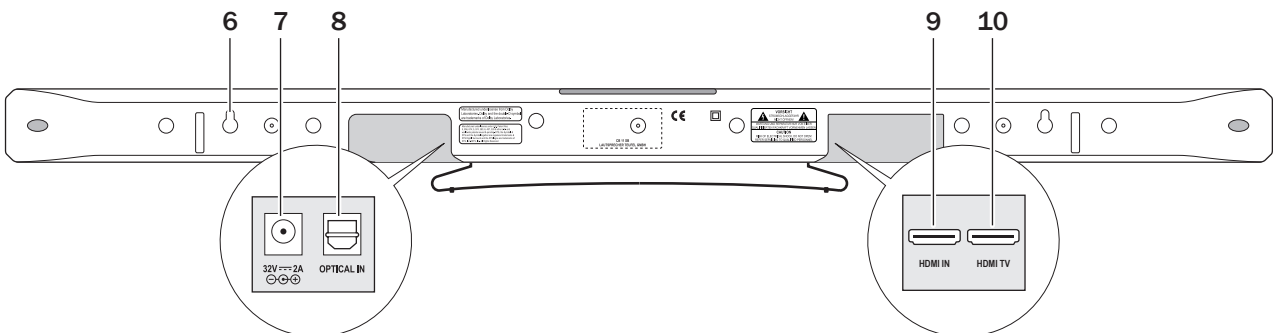
Control elements and connections

Cinebar 11 top and front



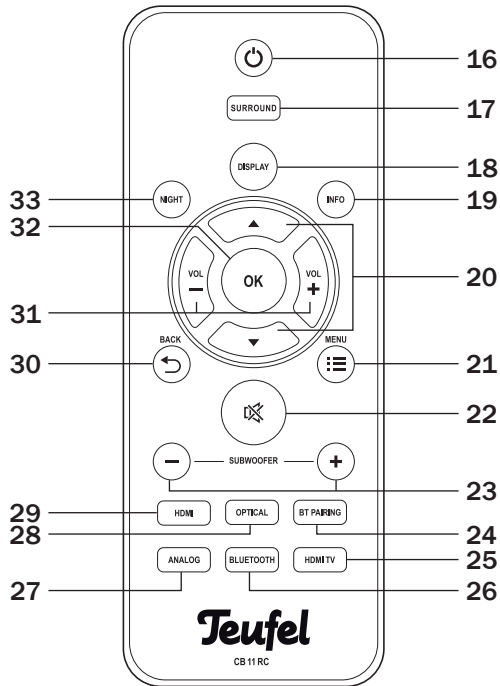
Item	Name	Description
1	AUDIO IN	3,5 mm input jack (analogue)
2	SOURCE	Select source (HDMI, TV HDMI, OPTICAL, ANALOG, BT AU)
3	VOL -/+	Adjust volume
4	POWER	Switch the device on or to standby
5		Display

Cinebar 11 rear



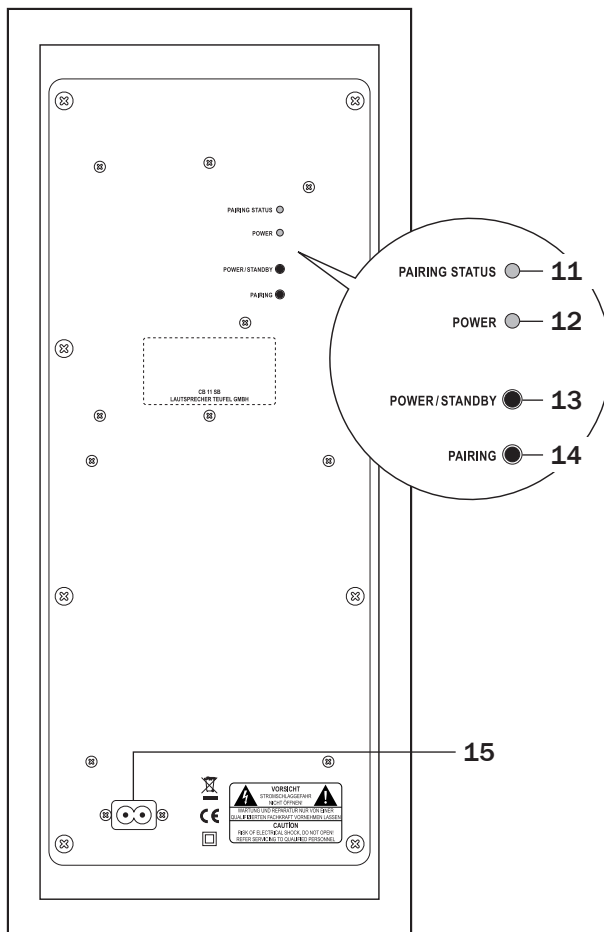
Item	Name	Description
6		Holes for wall mounting
7	32 V ~ 2A	Input jack for mains adapter ④
8	OPTICAL IN	TOSLINK input jack (digital, optical)
9	HDMI IN	Input jack (HDMI)
10	HDMI TV	HDMI jack for TV

Remote control



Item	Name	Description
16		Switch the device on or to standby
17	SURROUND	Activate and deactivate surround sound effects
18	DISPLAY	Adjust the display brightness
19	INFO	More info
20	▲ ▼	Navigating in the menu
21	MENU	Enter / exit the menu
22		Mute on/off
23	SUBWOOFER + / -	Adjust subwoofer volume
24	BT PAIRING	connect bluetooth and switch to BT input
25	HDMI TV	Select HDMI TV (10) as a source
26	BLUETOOTH	Select Bluetooth as a source
27	ANALOG	Select AUDIO IN (1) as a source
28	OPTICAL	Select OPTICAL IN (8) as a source
29	HDMI	Select HDMI (9) as a source
30	BACK	Leaving a menu item
31	VOL +/-	Adjust volume
32	OK	Confirm menu item
33	NIGHT	Activate and deactivate night sound effects

Subwoofer Rückseite



Item	Name	Description
11	PAIRING STATUS	Bluetooth control LED
12	POWER	Power control LED
13	POWER / STANDBY	Switch the Subwoofer on or to standby
14	PAIRING	Bluetooth pairing
15		Input jack for power cord ⑤

Setup/wall mounting

Setup location

Cinebar 11

A location directly under the TV set is ideal. Hang the Cinebar 11 either directly to the wall or place it below the TV set.

Subwoofer

The subwoofer may be placed in any suitable location and this will not affect the other speakers. However, do not place it in the corner of a room as this may cause uncontrollable frequency overloads. It is often best to choose a location between the front speakers.

Location tips

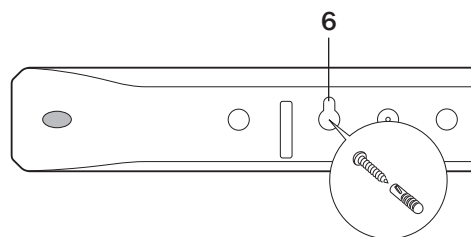
- Select a stable, level base.
Please consider the following chapter when mounting the device on the wall.
- Make sure that the environment is clean and free from dust.
- Avoid placing the unit close to sources of heat or in direct sunlight.
- Arrange the connector cables so that they do not pose a trip hazard.
- Do not place any heavy objects on top of the cables or the units.

Wall mounting

You will need the following material for wall mounting on a solid stone wall:

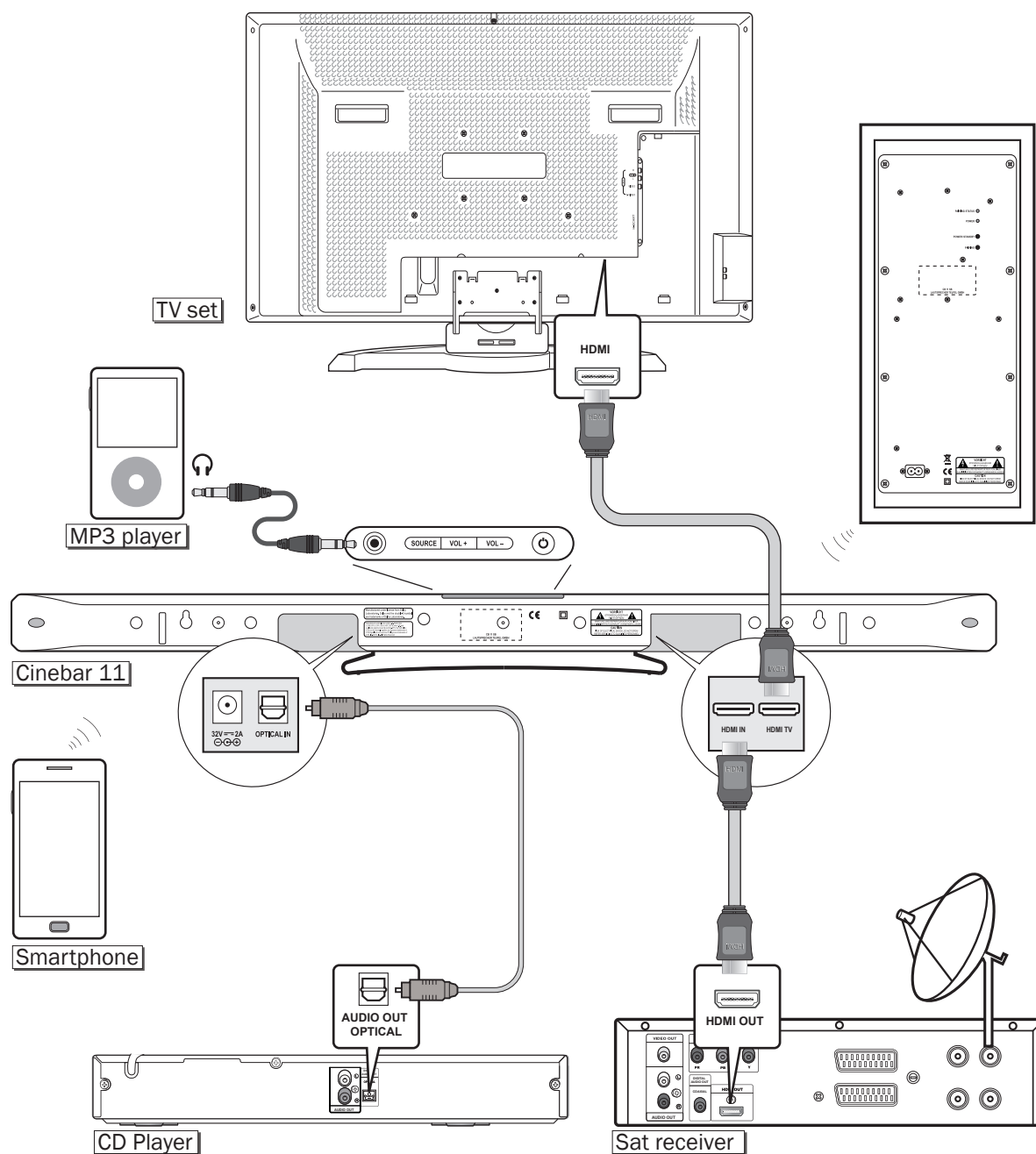
- 2 x dowels (ø 8 mm)
- 2 x screws, 5 x 50 mm
(screw head = ø 10–12 mm)

1. Mark the hole distance between the two wall mounting profiles of 60 cm on the wall where you intend to install the Cinebar 11. Use a folding rule, pencil and level for this purpose.
2. Use a metal detector to ensure that there are no cables or pipes in the areas where you intend to drill. If necessary, select another place for installation.
3. With an 8 mm masonry drill, drill a hole that is approx. 45 mm deep at each of the marked positions.
4. Insert 2 dowels (ø 8 mm) completely in the drill holes.
5. Screw one screw (5x50 mm) into each of the dowels until the distance between the wall and screw head is approx. 4 mm.



6. Push the Cinebar 11 up against the wall so that the screws disappear into the holes (6). Now pull the Cinebar 11 down so that the screws slip into the narrow slot.
7. If necessary, turn the screws further into or out of the holes until the Cinebar 11 is firmly mounted on the wall.

Connection example



- This connection example only provides a few possibilities for connecting the device. There are often different connecting methods possible for a device. Please consult the operating instructions of the respective device for more information in this regard.
- Once you have connected all devices, you can also connect the Cinebar 11 and the subwoofer to the power supply using the enclosed power cords ⑤. Make sure that the sockets are easily accessible.
- If you have connected and activated the devices

as described in this example, you must set the Cinebar 11 as follows:

Device audio	Cinebar setting
TV set	TV HDMI
Sat receiver	HDMI
CD player	OPTICAL
Smartphone	BT AU
MP3 player	ANALOG

Table 1

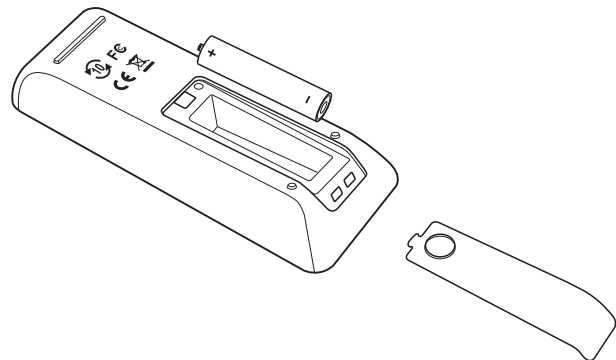
Remote control

Inserting / replacing battery

The battery should be replaced if the remote control stops functioning properly or no later than after 2 years. Battery type: AAA.

Remove the battery compartment cover from the remote control and replace the batteries in order to change the batteries.

Make sure that the polarity is correct!



Danger of chemical burns!

Leaking battery acid may lead to chemical burns.

- Do not allow battery acid to come into contact with skin, eyes or mucus membranes. In case of contact with acid rinse the affected part immediately with plenty of plain water and if necessary see a doctor.



Danger of explosion!

Batteries (particularly lithium batteries) can explode if used improperly.

- Never attempt to recharge batteries.
- Only use batteries of the same or equivalent type.
- Do not heat or short circuit batteries or rechargeable batteries and do not dispose them in fire.
- Do not expose batteries and storage batteries to direct sunlight.

Basic functions

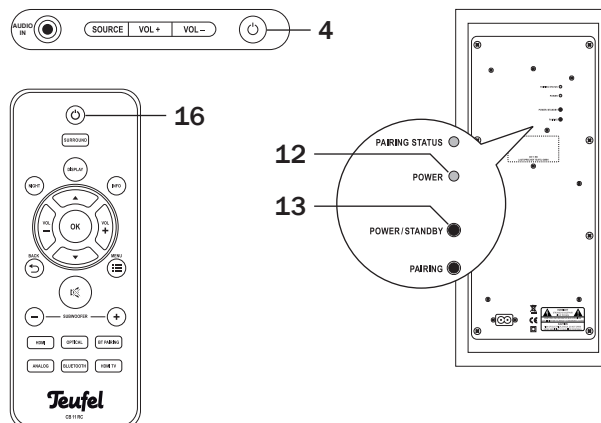
Activating and deactivating

Cinebar 11

- With button **4** or **16** you can switch your Cinebar 11 on or to standby.
- If the Cinebar 11 does not receive a signal for more than 20 minutes, it will automatically switch to standby.
- In standby, the red power LED blinks on the display.

Subwoofer

- The subwoofer turns on as soon as it is connected with the mains.
- With the **POWER/STANDBY (13)** button, you can then switch it to standby and turn it back on.
- When on, the **POWER (12)** LED is illuminated in green.



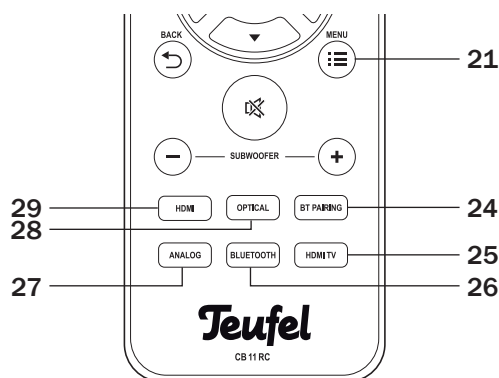
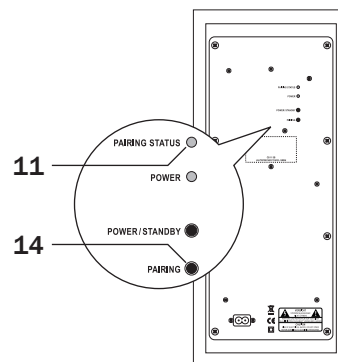
Connecting the subwoofer and Cinebar 11

After you have turned on your Cinebar 11 and connected the subwoofer to the mains, the two devices will automatically connect.

An established connection is indicated by the blue **PAIRING STATUS (11)** LED.

Proceed as follows if the connection is interrupted:

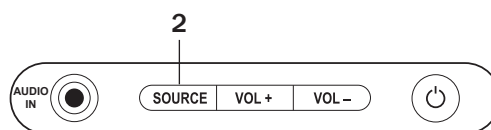
1. Press and hold the **PAIRING (14)** button until the **PAIRING STATUS (11)** LED blinks.
2. Access the menu with the **MENU (21)** button.
3. Use the **▼** button to select the **WS** menu item and confirm with the **OK button (32)**.
4. Then also confirm the items **LINK** and **START**. **SEARCH** will now blink on the display. **OK** will appear on the display after a few seconds. The connection has been established.
5. Push the **MENU (21)** button to complete the process.



Selecting a source

Also see page 10, table 1.

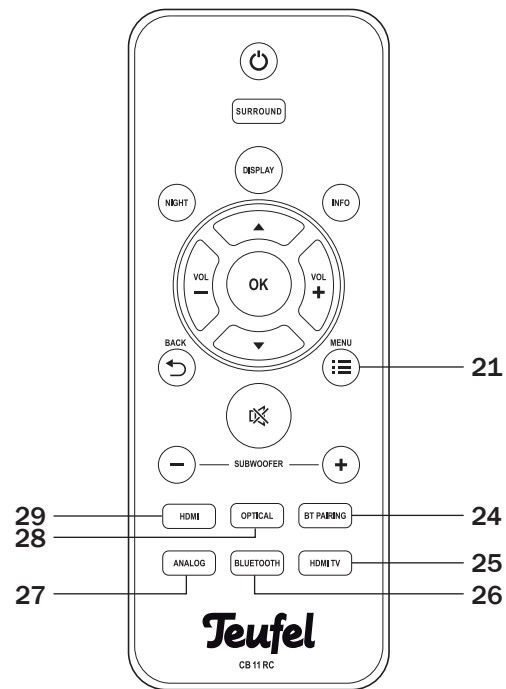
- Push the **Source (2)** button on the device until the connector jack of the desired source appears on the display.
- Use the remote control to directly select the source with the buttons **(25) – (29)**. The respective setting will appear on the display.



Bluetooth

You can connect compatible devices, e.g. most smartphones using the Bluetooth function of your Cinebar 11. Sound output of the smartphone then occurs via the Cinebar 11.

1. With the **(26)** button, select BT AU as a source.
2. Activate the Bluetooth function on your source device (e.g. smartphone).
3. Push the **BT PAIRING (24)** button.
4. Let your smartphone search for Bluetooth devices.
You will find more information about this in the operating instructions of your source device.
Once the search is complete, "Cinebar 11" should also appear in the list of detected devices.
5. Select Cinebar 11 from the list of detected devices.
It will now function like Bluetooth earphones and emits all sound that would otherwise be played by your source device.
If your source device is a smartphone, the Bluetooth connection will be interrupted in the event of an incoming call and you can carry out the call as normal.
After finishing your phone call, the sounds will once again be diverted and played back by your Cinebar 11.
6. Push the **BT PAIRING (24)** button to terminate the Bluetooth connection.
Alternatively you can switch off the Bluetooth function on your source device.



NFC (Near Field Communication)

NFC is a transmission standard for the wireless exchange of data over a short distance.

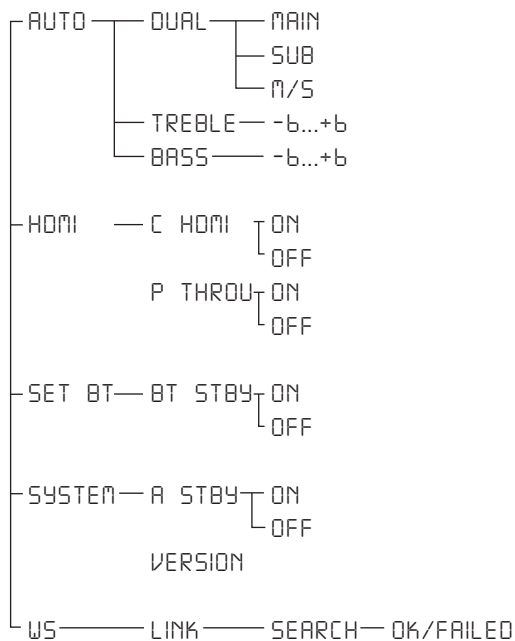
1. With the **(26)** button, select BT AU as a source.
2. Activate the NFC function on your smartphone (Bluetooth does not have to be activated).
3. Place the smartphone close to the NFC icon next to the control panel of the Cinebar 11.
You will promptly be asked to allow the data connection. Confirm the request on your smartphone.
The connection has been established.

Menu and settings

The menu

You can modify the settings of your Cinebar 11 with the menu.

- Access the menu with the **MENU (21)** button. The first menu item **AUTO** will appear on the display.
- The menu is structured as follows:



Navigating: Arrow keys **▲▼ (20)**.

Confirming a menu item: **OK** button (32).

Leaving a menu item: **BACK (30)** button.

The menu items

- **AUDIO/DUAL**
The following is played back with a Dolby Audio Stream:
 - **MAIN**: Only the main channels
 - **SUB**: Only the surround channels
 - **M/S**: Left speaker: Main channels, right speaker: Surround channelsFactory default: **MAIN**
- **AUDIO/TREBBLE/BASS**
Increase or lower treble and bass tones.
Factory default: **TREBLE=0, BASS=0**

- **HDMI**
 - **C HDMI**:
 - ON**: Cinebar 11 immediately switches to HDMI source as soon as a signal is present here (e.g. when turning on the television).
 - OFF**: Automatic switching deactivated.
 - **P THRU**:
 - ON**: Cinebar 11 automatically switches to standby when you turn off the television.
 - OFF**: Cinebar 11 stays activated.
- **SET BT/BT STBY**
 - **ON**: Device turns on from standby when a Bluetooth connection is established by a paired device.
 - **OFF**: Device does not turn on.
- **SYSTEM**
 - **A STBY**:
 - ON**: Device switches to standby if there is no signal for approx. 20 minutes.
 - OFF**: Device does not automatically switch to standby.
 - **VERSION**:
 - Firmware version is shown.
- **WS/LINK/SEARCH**
 - Establish BT connection between Cinebar 11 and the subwoofer (also see page 12).

Care and cleaning

Clean your Cinebar 11 regularly with a soft, damp microfibre cloth. When doing so, please be absolutely sure to observe the following instructions:



Risk of electric shock!

In contact with live parts, water can lead to electric shock or short circuit.

- Ensure that no liquid penetrates the unit.
- Disconnect the mains plug before cleaning.



Risk of damage!

Using the wrong cleaning materials may damage the delicate surface of the case.

- If possible, only use plain water without any additives. In case of stubborn marks, a mild soap solution may be used.
- In no circumstances should caustic cleaning products, white spirit, thinners, petrol or similar be used for cleaning.

Protecting the environment

Batteries and rechargeable batteries



Batteries and rechargeable batteries must not be disposed of with household waste!

Every consumer is required by law to bring all batteries and rechargeable batteries, whether they contain harmful substances*) or not, to a collection point run by the communal authority or borough or run commercially, so that they can be disposed of in an environmentally friendly manner. Please only hand in fully discharged batteries and rechargeable batteries!

*) labelled with: Cd = Cadmium, Hg = Mercury, Pb = Lead

Disposing the unit



Used units must not be disposed of with household waste.

If the unit is no longer operational, every consumer is required by law to dispose of used devices separately from household waste, e.g. at a collection point run by the communal authority borough. In this way it is ensured, that used devices are properly recycled and that negative consequences on the environment are avoided. For this reason, electrical equipment is labelled with the displayed symbol.

Technical data

	Subwoofer	Cinebar 11
Dimensions (WxHxD)	183 x 420 x 320 mm	945 x 75 x 77 mm
Weight	6,9 kg	1,8 kg
Operating voltage:	220-240- V~/50 Hz	
Max. power consumption	150 Watt (both)	

For further technical information, please view the product description on our website at www.teufelaudio.com.


Technical changes reserved!



This product conforms with Council of the European Union guidelines 2004/108/EC and 2006/95/EC.

Troubleshooting

The following notes and further detailed information on our website should help you to rectify malfunctions. If this does not lead to success, please contact our hotline ☎ 00800 - 200 300 40 (free of charge). Please also observe the warranty notes.

Problem	Possible cause	Solution
The device emits no sound.	Wrong source selected.	Select the right source (see page 11).
	Device has been set to "mute".	Push the button  or adjust the volume.
	Volume is set to "0".	Increase the volume.
The sound is not optimal.	The settings are not correct.	Adjust the sound settings as described on page 13.
The subwoofer isn't working.	The subwoofer is off or doesn't have any power.	Turn on the subwoofer with the switch (20). Check the power cord and socket.
	No connection to Cinebar 11.	Connect subwoofer and Cinebar 11 (see page 12).
The subwoofer hums.	The subwoofer is connected to another circuit than the rest of the system.	Connect the subwoofer and Cinebar 11 to the same circuit.
	The buzzing is caused by problems with the power supply.	Buy a line filter and connect both devices to it.
	The buzzing is caused by a multiple socket.	Use another multi-outlet power strip or connect the subwoofer directly to the wall socket. It may also help to insert the power plug the other way around.
Subwoofer does not connect to the Cinebar 11.	Connection is interfered by WLAN, etc.	Set the subwoofer closer to the Cinebar 11.
Playback is noisy.	Generally speaking, the Cinebar 11 is a very low-noise system. In most cases, the speaker system with exceptional resolution in the high range area can expose the poor quality of a signal source (e.g. from MP3 files).	Ensure that the source is sending a clean signal to the Cinebar 11.

Teufel

For questions, suggestions or other issues please contact our customer service department:

Lautsprecher Teufel GmbH
Gewerbehof Buelowbogen - Aufgang D1
10783 Berlin (Germany), Buelowstr. 66

Tel.: 00800 200 300 40 (toll-free)
Fax: +49 (0)30 - 300 930 930
www.teufelaudio.com

No liability is accepted for the accuracy of this information. Technical changes, typographical errors and other errors reserved.